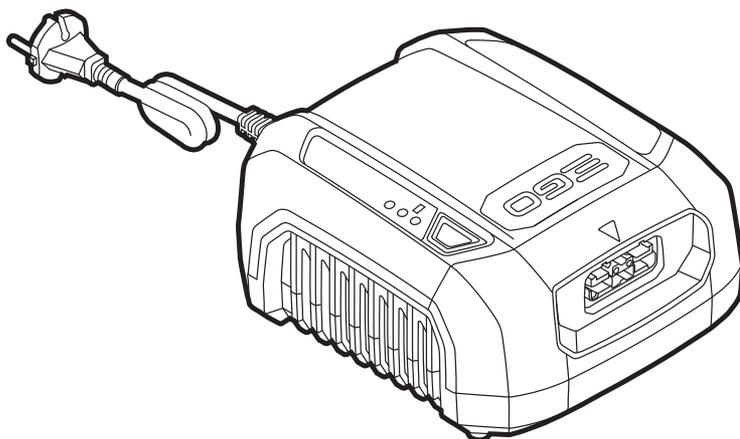


EGO™

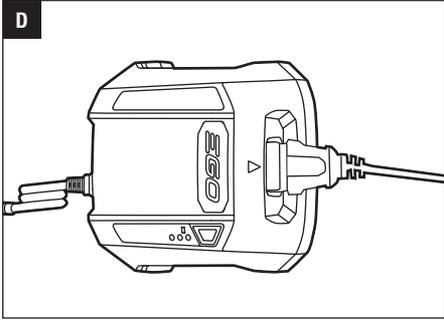
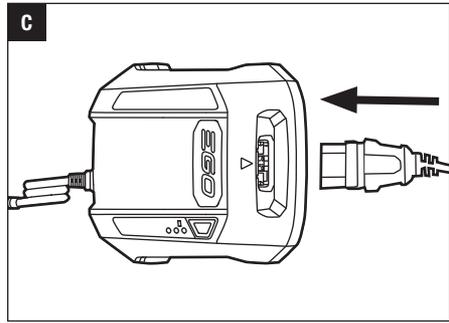
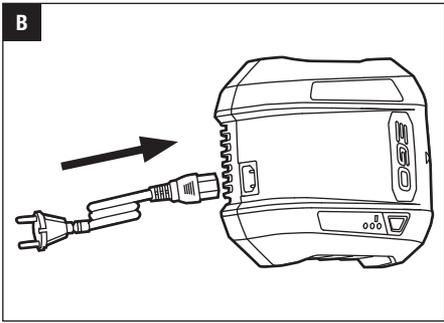
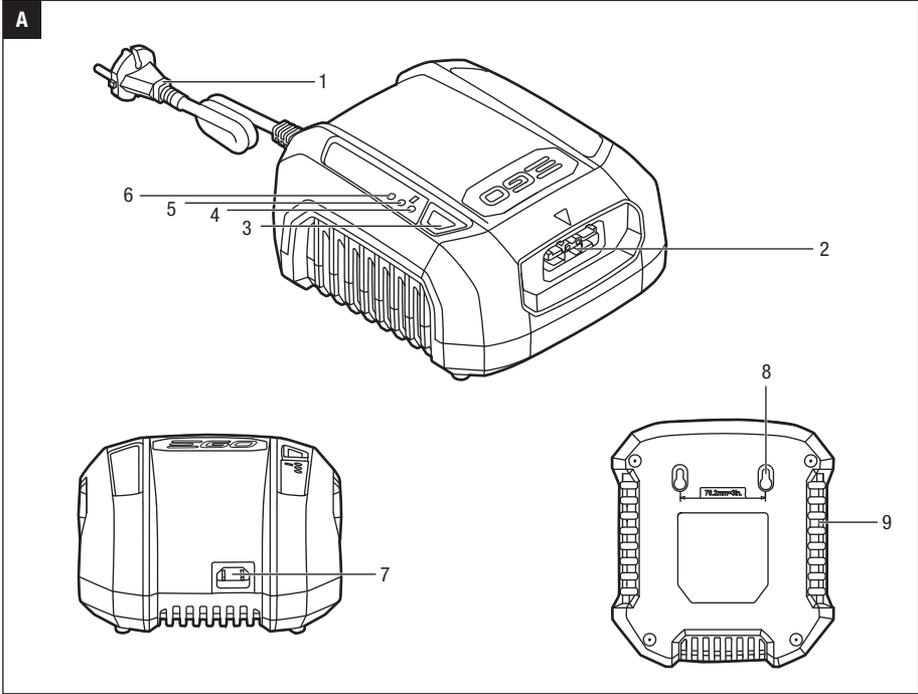
PRO X



CHX5500E

56 VOLT CHARGER

EN	56 Volt charger	3	RO	Încărcător de 56 volți	99
DE	56v ladegerat	9	SL	56-voltna încarcător	105
FR	Chargeur 56v	15	LT	56v įkroviklis	111
ES	Cargador de 56v	21	LV	56v uzlādes ierīce	117
PT	Carregador de 56v	27	GR	Φορτιστής 56V	123
IT	Caricabatteria 56v	33	TR	56V şarj cihazı	129
NL	56v lader	39	ET	56v laadija	135
DK	56v oplader	45	UK	Зарядний пристрій на 56 В	141
SE	56v laddare	51	BG	56 волта зарядно устройство	147
FI	56v laturi	57	HR	Punjač 56 v	154
NO	56v lader	63	KA	56 ვოლტიანი დამტენი ხელსაწყო	160
RU	Зарядное устройство 56в	69	SR	Punjač od 56 volti	169
PL	Ładowarka 56v	75	BS	Punjač 56 V	174
CZ	56v nabíječka	81	HE	טעינת 56 וולט	191
SK	56v nabíjačka	87	AR	شاحن 56 فولت	186
HU	56 voltos încărcător	93			



EGO Europe GmbH
 Autenbachstraße 11, 71711 Steinheim an der Murr, Germany

Chervon Europe Ltd
 The Anchorage, 34 Bridge Street Reading, RG1 2LU, United Kingdom

READ ALL INSTRUCTIONS!



READ OPERATOR'S MANUAL

Notice: These instructions shall also be available in an alternative format, e.g. on a website.

⚠ Residual risk! People with electronic devices, such as pacemakers, should consult their physician(s) before using this product. Operation of electrical equipment in close proximity to a heart pacemaker could cause interference or failure of the pacemaker.

⚠ WARNING: To ensure safety and reliability, all repairs should be performed by a qualified service technician.

⚠ WARNING: This appliance can be used by children aged from 8 years and above and persons with reduced physical, sensory or mental capabilities or lack of experience and knowledge if they have been given supervision or instruction concerning use of the appliance in a safe way and understand the hazards involved. Children shall not play with the appliance. Cleaning and user maintenance shall not be made by children without supervision.

SAFETY SYMBOLS

The purpose of safety symbols is to attract your attention to possible dangers. The safety symbols and the explanations with them deserve your careful attention and understanding. The symbol warnings do not, by themselves, eliminate any danger. The instructions and warnings they give are no substitutes for proper accident prevention measures.

⚠ WARNING: Be sure to read and understand all safety instructions in this Operator's Manual, including all safety alert symbols such as "**DANGER**," "**WARNING**," and "**CAUTION**" before using this tool. Failure to follow all instructions listed below may result in electric shock, fire, and/or serious personal injury.

SAFETY INSTRUCTIONS

This page depicts and describes safety symbols that may appear on this product. Read, understand, and follow all instructions on the machine before attempting to assemble and operate.

	Safety Alert	Precautions that involve your safety
	Read Operator's Manual	To reduce the risk of injury, user must read operator's manual.
	Indoor Use	Use this device indoors only
	Class II Construction	Double-insulated construction
	Fuse-links	Time-lag miniature fuse-link
	CE	This product is in accordance with applicable EC directives.
	UKCA	This product is in accordance with applicable UK legislation.
	WEEE	Waste electrical products should not be disposed of with household waste. Take to an authorized recycler.
V	Volt	Voltage
A	Amperes	Current
Hz	Hertz	Frequency (cycles per second)
W	Watt	Power
min	Minutes	Time
	Alternating Current	Type of current
	Direct Current	Type or a characteristic of current

⚠ WARNING: Read and understand all instructions. Failure to follow all instructions listed below may result in electric shock, fire and/or serious personal injury.

WORK AREA SAFETY

- **Keep the work area clean and well lit.** Cluttered or dark areas invite accidents.
- **Do not operate the EGO charger in explosive environments, such as in the presence of flammable liquids, gases, or dust.** A charger might create a spark, which may ignite the dust or fumes.

ELECTRICAL SAFETY

- **Do not expose to the charger to rain or wet conditions.** Water entering the charger will increase the risk of electric shock.



EN

- **Do not abuse the cord.** Never use the cord for carrying, pulling, or unplugging the charger. Keep the cord away from heat, oil, sharp edges, or moving parts. Damaged or entangled cords increase the risk of electric shock.
- The EGO charger can charge the EGO lithium-ion battery packs listed below:

CHARGER	BATTERY PACKS
CHX5500E	BAX1500

SERVICE

- **Have your charger serviced by a qualified repair person using only identical replacement parts.** This will ensure that the safety of the charger is maintained.
- **When servicing a charger, use only identical replacement parts. Follow instructions in the Maintenance section of this manual.** Use of unauthorized parts or failure to follow Maintenance instructions may create a risk of shock or injury.

SAFETY RULES FOR CHARGER

⚠ CAUTION: This appliance is not intended for use by persons (including children) with reduced physical, sensory or mental capabilities, or lack of experience and knowledge, unless they have been given supervision or instruction concerning use of the appliance by a person responsible for their safety.

- **Before using the battery charger,** read all instructions and cautionary markings in this manual and on the battery charger, the battery and the product to prevent misuse of the products and possible injury or damage.
- **Do not handle charger, including the charger plug and charger terminals with wet hands.**
- **Make sure that the cord is located so that it will not be stepped on, tripped over, come in contact with sharp edges or moving parts, or otherwise be subjected to damage or stress.** This will reduce the risk of accidental falls, which could cause injury and damage to the cord, which could then result in electric shock.
- **Keep the cord and charger from heat to prevent damage to housing or internal parts.**
- **Do not allow gasoline, oils, petroleum-based products, etc. to come in contact with plastic parts.** These materials contain chemicals that can damage, weaken, or destroy plastic.

- **Do not operate the charger with a damaged cord or plug, which could cause shorting and electric shock.** If damaged, have the charger repaired or replaced by an authorized service technician at an EGO Service Center.
- **Do not disassemble the charger.** Take it to an authorized service technician when service or repair is required. Incorrect reassembly may result in a risk of electric shock or fire.
- **Unplug the charger from the electrical outlet before attempting any maintenance or cleaning to reduce the risk of electric shock.**
- **Disconnect charger from the power supply when not in use.** This will reduce the risk of electric shock or damage to the charger if metal items should fall into the opening. It will also help prevent damage to the charger during a power surge.
- **Risk of electric shock.** Do not touch the uninsulated portion of output connector or uninsulated battery terminal.
- **Save these instructions.** Refer to them frequently and use them to instruct others who may use this tool. If you lend this tool to someone else, also lend these instructions to them to prevent misuse of the product and possible injury.

IMPORTANT SAFETY INSTRUCTIONS

- **Save these instructions.** This manual contains important safety and operating instructions for EGO 56V Charger CHX5500E.
- **Before using the battery charger, read all instructions and cautionary markings on the battery charger, the battery and the product using the battery.**

SPECIFICATIONS

Charger Input	220-240 V~50Hz 550 W
Charger Output	4/8 A 56 V
Charging Time	Charging BAX1500 (1568 Wh) : 3.5 h (Fast charge) 7 h (Normal charge)
Optimum Charging Temperature	5°C-40°C
Charger Weight	1.6 kg

DESCRIPTION

KNOW YOUR CHARGER (Fig. A)

1. Power Cord
2. Output Interface
3. Button
4. 1# LED (Green)
5. 2# LED (Green)
6. 3# LED (Red)
7. Input Interface
8. Wall Mounting Hole
9. Cooling Air Port

OPERATION

HOW TO CHARGE THE BATTERY PACK

⚠ WARNING: Do not use the charger outdoors or expose it to wet or damp conditions. Water entering the charger will increase the risk of electric shock.

NOTICE: Lithium-Ion battery packs are shipped partially charged. Before using it the first time, fully charge the battery pack.

1. Insert the separate power cord into the input interface (Fig. B).
2. Connect the charger to the power supply (220-240V/50Hz).
3. Insert the battery plug into the charger as Fig. C & D shown.
4. The charger will communicate with the battery pack to evaluate the condition of the battery pack.
5. When the battery pack is charging normally, the green 2# LED on the charger will flash. If keep the green button pressed for at least 1 second, the normal charging will transform to rapid charging and green 2# LED goes out with green 1# LED flashing.

The fan in the charger works continuously to cool the battery pack.

6. When the battery pack is fully charged, the charging indication LEDs stop blinking and will shine green continuously. Wait until the cooling fan stops, remove the battery pack from the charger and disconnect the charger from the power supply.
7. The battery pack will fully charge if left on the charger, but it will not overcharge.

NOTICE:

- While the charger is connected to a power supply in step1, if the 3 LEDs still remain unlit, refer to the section on “**DEFECTIVE BATTERY PACK OR CHARGER**”.
- A significantly reduced running time after fully charging the battery pack indicates that the batteries are near the end of their usable life and must be replaced.
- The charger may warm during charging. This is part of the normal operation of the charger. Charge in a well-ventilated area.

LED FUNCTIONS OF CHARGER

LED INDICATOR	BACKPACK BATTERY		LED ON THE CHARGER			ACTION
			1# LED (GREEN)	2# LED (GREEN)	3# LED (RED)	
	Defective		○	●		Battery pack or charger is defective
	Over temperature	Normal charging	○		●	Charging will begin when battery pack returns to normal temperature
		Rapid charging		○	●	Charging will begin when battery pack returns to normal temperature
	Normal charging		○		○	4A Charging
	Rapid charging			○	○	8A Charging
	Fully charged	Normal charging	○	●	○	Charging is completed
		Rapid charging	●	○	○	Charging is completed
—	Successful self-inspection		●	●	●	The charger could be used to charge the battery

●: On ○: Off : Flashing

CHARGING A HOT OR COLD BATTERY PACK

If the battery pack is out of the normal temperature range, 3# LED will shine red. When the battery pack cools down to approximately 57°C or warms to more than 3°C, the charger will automatically begin charging.

DEFECTIVE BATTERY PACK OR CHARGER

Once the charger connects to a power supply, the charger will start self-inspection immediately.

1. If the self-inspection reaches a failure, all the LEDs will not blink or shine.

Notice: Try and reinsert the power cord into the charger and power supply in sequence. If the LEDs still read “failure” a second time, contact the EGO center to repair your charger.

2. If the charger passes the inspection, 3 LEDs will shine for 1s simultaneously, which means the charger can be used to charge the battery pack. While charging, if the charger defects a problem, 3# LED will begin flashing red or all the LEDs will turn off.

- If registering as defective, remove and reinsert the plug of battery pack into the charger. If the LEDs still read “defective” a second time, try charging a different battery pack.

- If a different battery pack charges normally, dispose of the defective battery pack (refer to the instructions in the battery pack manual).

- If a different battery pack also indicates “defective”, reconnect the charger to power supply again until the red 3# LED goes out. If all 3 LEDs still keep off or 3# LED flash red, the charger may be defective.

⚠ WARNING: It is not recommended to attempt charging while the charger confirmed as a defective one, it can cause electric shock or even serious injury.

WALL-MOUNT HOLES

The charger has hanging holes for convenient storage. Install screws in the wall 76mm apart.

MAINTENANCE

⚠ WARNING: To avoid serious personal injury, always disconnect the battery pack from the charger when cleaning or performing any maintenance.

⚠ WARNING: When servicing, use only identical EGO replacement parts. Use of any other parts may create a hazard or cause product damage.

⚠ WARNING: It is not recommended to use compressed dry air as a cleaning method of the charger. If cleaning with compressed air is the only method to apply, always wear safety goggles or safety glasses with side shields when cleaning the charger. If the operation is dusty, also wear a dust mask.

⚠ WARNING: If the power cord is damaged, use only identical power cord. Use of unauthorized power cord may create a risk of shock or injury.

GENERAL MAINTENANCE

Avoid using solvents when cleaning plastic parts. Most plastics are susceptible to damage from various types of commercial solvents and may be damaged by their use. Use clean clothes to remove dirt, dust, oil, grease, etc.

⚠ WARNING: Do not at any time let brake fluids, gasoline, petroleum-based products, penetrating oils, etc. to come in contact with plastic parts. Chemicals can damage, weaken or destroy plastic which may result in serious personal injury.

⚠ WARNING: When servicing, use only identical EGO replacement parts. Use of any other parts may create a hazard or cause product damage. To ensure safety and reliability, all repairs should be performed by a qualified service technician at an EGO Service Center.

Protecting the environment



Do not dispose of electrical equipment, battery charger and batteries/rechargeable batteries into household waste!

According to the European law 2012/19/EU, electrical and electronic equipment that is no longer usable, and according to the European law 2006/66/EC, defective or used battery packs/batteries, must be collected separately.

If electrical appliances are disposed of in landfills or dumps, hazardous substances can leak into the groundwater and get into the food chain, damaging your health and well-being.



EN TROUBLESHOOTING

PROBLEM	CAUSE	SOLUTION
Charger doesn't work. 3# LED flashes red or all the LEDs go out.	Battery pack or charger is defective or bad connection between the battery pack and charger.	<ul style="list-style-type: none">■ Try to remove and reinsert the battery pack in the charger.■ Try charging a different battery pack.■ Unplug the charger and wait until the red LED goes out, then reconnect the plug to the power supply.
	Switch the charger too frequently	<ul style="list-style-type: none">■ Connect the charger with the power supply after 30s since all the LEDs go out.
Charger doesn't work and 3# LED shines red.	Battery pack is too hot or too cold.	<ul style="list-style-type: none">■ Allow the battery pack to reach normal temperature. Charging will begin when battery pack returns to normal temperature.

WARRANTY

EGO WARRANTY POLICY

Please visit the website egopowerplus.com for full terms and conditions of the EGO Warranty policy.

LESEN SIE ALLE ANLEITUNGEN!



LESEN SIE DIE BEDIENUNGSANLEITUNG

Anmerkung: Diese Anleitung wird auch in anderen Formaten zur Verfügung gestellt, z.B. auf einer Website.

⚠ Restrisiko! Menschen mit elektronischen Geräten, wie z.B. Herzschrittmachern, sollten ihren Arzt konsultieren, bevor sie dieses Gerät verwenden. Die Bedienung von Elektrogeräten in enger Nähe zu Herzschrittmachern kann zu Interferenzen und Störungen des Schrittmachers führen.

⚠ WARNUNG: Um die Sicherheit und Zuverlässigkeit zu gewährleisten, sollten alle Reparaturen nur von qualifizierten Servicetechnikern durchgeführt werden.

⚠ WARNUNG: Dieses Gerät darf von Kindern ab einem Alter von 8 Jahren sowie von Personen mit verminderten motorischen, sensorischen oder mentalen Fähigkeiten oder Personen, denen es an Erfahrung und Fachkenntnissen mangelt, benutzt werden, sofern sie dabei beaufsichtigt werden, in die sichere Benutzung des Geräts eingewiesen wurden und sofern ihnen die damit verbundenen Gefahren bewusst sind. Kinder dürfen nicht mit dem Gerät spielen. Das Reinigen und die Benutzerwartung dürfen von Kindern nicht ohne Beaufsichtigung durchgeführt werden.

WARNSYMBOLS

Der Zweck von Warnsymbolen besteht darin, Ihre Aufmerksamkeit auf mögliche Gefahren zu lenken. Die Warnsymbole und deren Erklärungen verdienen Ihre vollste Aufmerksamkeit und Beachtung. Durch die Warnsymbole allein sind die Gefahren noch nicht ausgeschaltet. Die Anleitungen und Warnhinweise stellen keinen Ersatz für angemessene Unfallverhütungsmaßnahmen dar.

⚠ WARNUNG: Vor der Benutzung des Geräts sollten alle Sicherheitshinweise in dieser Bedienungsanleitung gelesen werden und bekannt sein. Das gilt auch für sämtliche Warnhinweise, die mit den Vermerken „**GEFAHR**“, „**WARNUNG**“ und „**VORSICHT**“ gekennzeichnet sind. Die Nichtbeachtung auch nur einer der unten aufgeführten Anleitungen kann zu Stromschlägen, Feuer und/oder schweren Verletzungen führen.

SICHERHEITSHINWEISE

Auf dieser Seite werden die Warnsymbole vorgestellt und beschrieben, die sich unter Umständen am Gerät befinden. Vor dem Zusammenbau und der Inbetriebnahme müssen sämtliche Anleitungen am Gerät gelesen und genau befolgt werden.

	Sicherheitswarnung	Vorsichtsmaßnahmen zu Ihrer Sicherheit
	Bedienungsanleitung lesen	Um das Verletzungsrisiko zu verringern, muss der Benutzer die Bedienungsanleitung lesen.
	Nicht im Freien benutzen	Dieses Gerät nicht im Freien benutzen
	Schutzklasse II	Doppelisierte Konstruktion
	Sicherungseinsätze	Träge Kleinstsicherung
	CE	Dieses Produkt erfüllt die anwendbaren EG-Richtlinien.
	UKCA	Dieses Produkt entspricht den geltenden Vorschriften des Vereinigten Königreichs.
	WEEE	Elektro- und Elektronik-Altgeräte dürfen nicht im Hausmüll entsorgt werden. Bringen Sie das Gerät zu einem zugelassenen Recyclinghof.
V	Volt	Spannung
A	Ampere	Strom
Hz	Hertz	Frequenz (Hertz)
W	Watt	Leistung
min	Minuten	Zeit
	Wechselstrom	Stromzufuhr
	Gleichstrom	Art oder Eigenschaft der Stromzufuhr

⚠ WARNUNG: Lesen und befolgen Sie alle Anleitungen. Die Nichtbeachtung der unten aufgeführten Anleitungen kann zu Stromschlägen, Feuer und/oder schweren Verletzungen führen.

SICHERHEIT IM ARBEITSBEREICH

- **Halten Sie den Arbeitsbereich stets sauber und gut beleuchtet.** Nicht aufgeräumte oder dunkle Bereiche können Unfälle provozieren.
- **Verwenden Sie das EGO-Ladegerät nicht in explosionsgefährdeten Umgebungen wie z.B. in Gegenwart von entzündbaren Flüssigkeiten, Gasen oder Staub.** Ladegeräte können Funken erzeugen, durch die sich Staub oder Dämpfe entzünden können.

DE

ELEKTRISCHE SICHERHEIT

- **Schützen Sie das Ladegerät vor Regen oder anderen feuchten Bedingungen.** Wenn Wasser in das Ladegerät eindringt, besteht erhöhte Stromschlaggefahr.
- **Das Kabel darf nicht zweckentfremdet werden.** Das Netzkabel darf nicht zum Tragen, Ziehen oder Herausziehen des Ladegeräts aus der Steckdose verwendet werden. Das Netzkabel muss vor Hitze, Öl, scharfen Kanten oder beweglichen Teilen ferngehalten werden. Durch beschädigte oder verknottete Kabel besteht erhöhte Stromschlaggefahr.
- Die im Folgenden aufgeführten EGO Lithium-Ionen-Akkus können mit dem EGO Ladegerät aufgeladen werden:

LADEGERÄT	AKKUS
CHX5500E	BAX1500

REPARATUR

- **Lassen Sie Ihr Ladegerät von einer qualifizierten Fachkraft und nur unter Verwendung baugleicher Ersatzteile reparieren.** Nur so kann für die Sicherheit des Ladegeräts gesorgt werden.
- **Bei der Instandsetzung des Ladegerätes dürfen nur baugleiche Ersatzteile verwendet werden. Befolgen Sie die Hinweise im Kapitel Wartung dieser Bedienungsanleitung.** Die Verwendung von nicht zugelassenen Teilen oder das Nichtbefolgen der Wartungsanleitung kann zu Stromschlägen oder Verletzungen führen.

SICHERHEITSHINWEISE FÜR DAS LADEGERÄT

⚠ VORSICHT: Dieses Gerät ist nicht für die Benutzung durch Personen (einschließlich Kindern) mit eingeschränkten körperlichen, sensorischen oder geistigen Fähigkeiten oder Personen, denen es an Erfahrung und Fachkenntnissen mangelt, vorgesehen; es sei denn, sie werden von einer für deren Sicherheit verantwortlichen Person beaufsichtigt und in die Benutzung des Gerätes eingewiesen.

- **Lesen Sie vor dem Gebrauch des Ladegerätes** alle Anleitungen und Warnhinweise in dieser Bedienungsanleitung und auf dem Ladegerät, dem Akku und dem Produkt, um einem Fehlgebrauch des Produktes und möglichen Verletzungen oder Beschädigungen vorzubeugen.

- **Das Ladegerät, den Netzstecker am Ladegerät sowie die Anschlüsse am Ladegerät nicht mit nassen Händen anfassen.**
- **Das Netzkabel muss so verlegt werden, dass man nicht darauf treten und nicht darüber stolpern kann. Es darf keine scharfen Kanten oder beweglichen Teile berühren oder auf andere Weise Beschädigungen oder Belastungen ausgesetzt werden.** Auf diese Weise wird die Gefahr von Stürzen reduziert, durch die es zu Verletzungen und Beschädigungen am Kabel kommen kann, wodurch wiederum ein Stromschlag ausgelöst werden kann.
- **Halten Sie das Kabel und das Ladegerät von Hitze fern, um Beschädigungen am Gehäuse oder der internen Komponenten zu verhindern.**
- **Lassen Sie Benzin, Öle, Erdölzerzeugnisse etc. nicht mit den Kunststoffteilen in Berührung kommen.** Diese Stoffe enthalten Chemikalien, die den Kunststoff angreifen, schwächen oder zerstören können.
- **Das Ladegerät darf nicht mit beschädigtem Netzkabel oder -stecker eingesetzt werden, da hierdurch Kurzschluss- und Stromschlaggefahr besteht.** Wenn das Ladegerät defekt ist, lassen Sie es von einem autorisierten Servicetechniker bei einem EGO Kundendienst reparieren oder austauschen.
- **Nehmen Sie das Ladegerät nicht auseinander.** Bringen Sie es zu einem autorisierten Servicetechniker, wenn eine Wartung oder Reparatur erforderlich ist. Wenn das Gerät falsch zusammengebaut wird, besteht Brand- oder Stromschlaggefahr.
- **Ziehen Sie den Stecker des Ladegerätes aus der Steckdose, bevor Sie versuchen, das Gerät zu warten oder zu reinigen, um das Stromschlagrisiko zu reduzieren.**
- **Ziehen Sie den Netzstecker des Ladegerätes aus der Steckdose, wenn es nicht gebraucht wird.** Für den Fall, dass Metallgegenstände in die Öffnung fallen, wird dadurch das Stromschlagrisiko bzw. eine Beschädigung des Ladegeräts verhindert. Darüber hinaus werden Beschädigungen am Ladegerät im Falle von Spannungsschwankungen vermieden.
- **Stromschlagrisiko** Der abisolierte Bereich am Ausgang bzw. der blanke Batteriepol darf nicht berührt werden.

- **Heben Sie diese Anleitung auf.** Schlagen Sie gegebenenfalls darin nach und verwenden Sie sie, um andere in die Verwendung des Gerätes einzuweisen. Falls Sie dieses Gerät an andere verleihen, händigen Sie ihnen auch diese Anleitung aus, um einem Missbrauch des Geräts und möglichen Verletzungen vorzubeugen.

WICHTIGE SICHERHEITSHINWEISE

- **Heben Sie diese Anleitung auf.** Diese Bedienungsanleitung enthält wichtige Sicherheits- und Betriebsanweisungen für das 56-V-Schnellladegerät CHX5500E.
- **Lesen Sie vor der Benutzung des Ladegerätes alle Anleitungen und Warnhinweise auf dem Ladegerät, dem Akku und dem akkubetriebenen Gerät.**

TECHNISCHE DATEN

Lade- gerät-Eingang	220-240 V~ 50 Hz 550 W
Lade- gerät-Ausgang	4/8 A 56 V
Ladedauer	Laden von BAX1500 (1568 Wh): 3,5 h (schnelle Ladung) 7 h (normale Ladung)
Optimale La- detemperatur	5°C-40°C
Gewicht Ladegerät	1,6 kg

BESCHREIBUNG

AUFBAU IHRES LADEGERÄTES (Abb. A)

1. Netzkabel
2. Ausgangsschnittstelle
3. Taste
4. Erste LED (grün)
5. Zweite LED (grün)
6. Dritte LED (rot)
7. Eingangsschnittstelle
8. Loch für die Wandmontage
9. Kühllufteinlass

BENUTZUNG

AUFLADEN DES AKKUS

⚠️ WARNUNG: Benutzen Sie das Ladegerät nicht im Freien und schützen Sie es vor Nassen und feuchten Bedingungen. Wenn Wasser in das Ladegerät eindringt, besteht erhöhte Stromschlaggefahr.

HINWEIS: Die Lithium-Ionen-Akkus sind im Auslieferungszustand teilaufgeladen. Vor dem ersten Gebrauch muss der Akku vollständig aufgeladen werden.

1. Verbinden Sie das separate Netzkabel mit der Eingangsschnittstelle (Abb. B).
2. Verbinden Sie das Ladegerät mit der Stromversorgung (220 - 240 V, 50 Hz).
3. Verbinden Sie den Akku-Stecker mit dem Ladegerät, wie in Abb. C und D gezeigt.
4. Das Ladegerät kommuniziert mit dem Akku, um den Zustand des Akkus zu ermitteln.
5. Beim normalen Aufladen des Akkus blinkt die zweite grüne LED am Ladegerät. Wenn Sie die grüne Taste mindestens 1 Sekunde lang gedrückt halten, wechselt das Gerät vom normalen Modus zum Schnelllademodus und die zweite grüne LED erlischt, während die erste grüne LED blinkt. Der Ventilator im Ladegerät schaltet auf Dauerbetrieb, um den Akku zu kühlen.
6. Wenn der Akku voll aufgeladen ist, hören die Ladeanzeige-LEDs auf zu blinken und leuchten konstant grün. Warten Sie, bis das Kühlgebläse stillsteht, entfernen Sie den Akku aus dem Ladegerät und ziehen Sie den Ladegerätestecker aus der Steckdose.
7. Der Akku lädt sich vollständig auf, wenn er auf dem Ladegerät gelassen wird, er ist aber vor dem Überladen geschützt.

HINWEIS:

- Wenn das Ladegerät mit einer Steckdose verbunden ist (Schritt 1) und die drei LEDs leuchten nicht auf, lesen Sie bitte den Abschnitt „**DEFEKTER AKKU ODER DEFEKTES LADEGERÄT**“.
- Eine deutlich kürzere Laufzeit nach dem vollständigen Aufladen des Akkus weist daraufhin, dass der Akku allmählich verbraucht ist und ausgewechselt werden muss.
- Beim Aufladen wird das Ladegerät warm. Dies ist eine normale Betriebseigenschaft des Ladegerätes. Laden Sie Akkus an einem gut belüfteten Ort auf.

LED-FUNKTIONEN DES LADEGERÄTES
DE

LED-ANZEIGE	RUCKSACK-AKKU		LED AM LADEGERÄT			STATUS
			ERSTE LED (GRÜN)	ZWEITE LED (GRÜN)	DRITTE LED (ROT)	
	Defekt		○	●		Akku oder Ladegerät ist defekt
	Zu hohe Temperatur	Normaler Lademodus	○		●	Der Ladevorgang beginnt, wenn die Temperatur des Akkus wieder im normalen Bereich liegt.
		Schnelles Laden		○	●	Der Ladevorgang beginnt, wenn die Temperatur des Akkus wieder im normalen Bereich liegt.
	Normaler Lademodus		○		○	4 A Laden
	Schnelles Laden			○	○	8 A Laden
	Komplett aufgeladen	Normaler Lademodus	○	●	○	Ladevorgang ist abgeschlossen
		Schnelles Laden	●	○	○	Ladevorgang ist abgeschlossen
—	Erfolgreiche Selbstüberprüfung		●	●	●	Das Ladegerät kann zum Aufladen des Akkus benutzt werden
●: Ein ○: Aus : Blinkend						

AUFLADEN EINES WARMEN ODER KALTEN AKKUS

Wenn der Akku den normalen Temperaturbereich unter- bzw. überschreitet, leuchtet die dritte LED rot. Wenn sich der Akku auf etwa 57°C abkühlt oder sich über 3°C erwärmt, nimmt das Ladegerät automatisch wieder den Ladebetrieb auf.

DEFEKTER AKKU ODER DEFEKTES LADEGERÄT

Sobald das Ladegerät mit einer Steckdose verbunden ist, wird es sofort eine Selbstüberprüfung durchführen.

1. Wenn die Selbstüberprüfung fehlschlägt, werden nicht alle LEDs blinken oder leuchten.

Anmerkung: Probieren Sie Folgendes aus: Verbinden Sie das Netzkabel erneut mit dem Ladegerät und dann mit der Stromversorgung. Wenn die LEDs auch beim zweiten Mal nicht funktionieren, wenden Sie sich an das EGO Kundendienstzentrum, um Ihr Ladegerät reparieren zu lassen.

2. Wenn die Überprüfung des Ladegerätes erfolgreich war, leuchten die drei LEDs 1 Sekunde lang gleichzeitig. Dies bedeutet, dass das Ladegerät nun zum Aufladen des Akkus benutzt werden kann. Wenn das Ladegerät während des Ladevorgangs ein Problem erkennt, beginnt die dritte LED rot zu blinken oder alle LEDs schalten sich aus.
 - Wenn ein Defekt angezeigt wird, ziehen Sie den Stecker des Akkus heraus und verbinden Sie ihn erneut mit dem Ladegerät. Wenn der Defekt erneut von den LEDs angezeigt wird, verwenden Sie einen anderen Akku zum Aufladen.
 - Wenn sich der andere Akku normal aufladen lässt, muss der defekte Akku entsorgt werden. (Beachten Sie hierzu die Anleitungen in der Gebrauchsanweisung des Akkus).

- Wenn bei einem anderen Akku ebenfalls ein Defekt angezeigt wird, verbinden Sie das Ladegerät erneut mit der Steckdose, bis die dritte rote LED sich ausschaltet. Wenn alle drei LEDs auch weiterhin nicht aufleuchten oder die dritte LED blinkt rot, ist das Ladegerät möglicherweise defekt.

⚠ WARNUNG: Wenn das Ladegerät nachweislich defekt ist, sollten Sie nicht versuchen, einen Akku damit aufzuladen. Dies könnte einen Stromschlag oder sogar schwere Verletzungen verursachen.

LOCHER FÜR DIE WANDMONTAGE

Das Ladegerät ist mit Aufhängelöchern für eine praktische Aufbewahrung versehen. Bringen Sie Schrauben im Abstand von 76 mm an der Wand an.

WARTUNG

⚠ WARNUNG: Vor Reinigungs- oder Wartungsarbeiten immer zuerst den Akku vom Ladegerät trennen, um schwere Verletzungen zu vermeiden.

⚠ WARNUNG: Verwenden Sie für die Wartung nur baugleiche EGO Ersatzteile. Die Verwendung anderer Teile kann zu gefährlichen Situationen führen oder das Gerät beschädigen.

⚠ WARNUNG: Trockene Druckluft zum Reinigen des Ladegeräts ist nicht zu empfehlen. Falls das Reinigen mit Druckluft die einzige Methode ist, die zur Verfügung steht, tragen Sie immer eine Schutzbrille mit Seitenschutz zum Reinigen des Ladegerätes. Falls bei dem Vorgang Staub entsteht, tragen Sie außerdem eine Staubmaske.

⚠ WARNUNG: Wenn das Netzkabel beschädigt ist, sollte es nur durch ein baugleiches Netzkabel ersetzt werden. Die Verwendung eines nicht zugelassenen Netzkabels kann zu Stromschlägen oder Verletzungen führen.

ALLGEMEINE WARTUNG

Verwenden Sie keine Lösungsmittel zum Reinigen von Kunststoffteilen. Die meisten Kunststoffe reagieren empfindlich auf die verschiedenen handelsüblichen Lösungsmittel und können durch deren Benutzung beschädigt werden. Verwenden Sie zum Entfernen von Schmutz, Staub, Öl, Fett usw. ein sauberes Tuch.

⚠ WARNUNG: Achten Sie immer darauf, dass Bremsflüssigkeit, Benzin, Erzeugnisse auf Erdölbasis, Kriechöle usw. nicht mit den Kunststoffteilen in Kontakt kommen. Chemikalien können Kunststoffe angreifen, schwächen oder zerstören, was zu schweren Verletzungen führen kann.

⚠ WARNUNG: Verwenden Sie für die Wartung nur baugleiche EGO Ersatzteile. Die Verwendung anderer Teile kann zu gefährlichen Situationen führen oder das Gerät beschädigen. Um die Sicherheit und Zuverlässigkeit zu gewährleisten, sollten alle Reparaturen nur von qualifizierten Servicetechnikern in einem EGO Servicezentrum durchgeführt werden.

Schutz der Umwelt



Elektrogeräte, Ladegeräte und Batterien/Akkus dürfen nicht im Hausmüll entsorgt werden!

Im Einklang mit der europäischen Richtlinie 2012/19/EG müssen elektrische und elektronische Altgeräte separat gesammelt werden. Dasselbe gilt auch für defekte oder verbrauchte Akkus/Batterien nach der europäischen Richtlinie 2006/66/EG.

Wenn elektrische Geräte auf Deponien oder Schutthalden entsorgt werden, können gefährliche Stoffe in das Grundwasser sickern und in die Nahrungskette gelangen. Dadurch werden Ihre Gesundheit und Ihr Wohlbefinden beeinträchtigt.

STÖRUNGSBEHEBUNG

DE

PROBLEM	URSACHE	LÖSUNG
Das Ladegerät funktioniert nicht. Die dritte LED blinkt rot oder alle LEDs gehen aus.	Akku oder Ladegerät ist defekt oder der Kontakt zwischen Akku und Ladegerät ist schlecht.	<ul style="list-style-type: none">■ Nehmen Sie den Akku ab und schließen Sie ihn erneut am Ladegerät an.■ Probieren Sie einen anderen Akku aus.■ Ziehen Sie den Netzstecker des Ladegeräts und warten Sie, bis die rote LED erlischt. Schließen Sie das Ladegerät dann erneut an die Steckdose an.
	Sie wechseln das Ladegerät zu häufig	<ul style="list-style-type: none">■ Verbinden Sie das Ladegerät mit der Steckdose 30 s, nachdem alle LEDs erloschen sind.
Ladegerät funktioniert nicht und die dritte LED leuchtet rot.	Akku ist zu kalt oder zu heiß.	<ul style="list-style-type: none">■ Warten Sie, bis der Akku wieder seine normale Betriebstemperatur erreicht hat. Der Ladevorgang beginnt, wenn die Temperatur des Akkus wieder im normalen Bereich liegt.

GARANTIE

EGO-GARANTIEBEDINGUNGEN

Sämtliche Bedingungen der EGO-Garantie finden Sie auf der Website egopowerplus.com.

LISEZ TOUTES LES INSTRUCTIONS !



LISEZ LA NOTICE D'UTILISATION.

Remarque : Cette notice d'utilisation est également disponible dans un format alternatif, par exemple sur un site Web.

⚠ Risques résiduels ! Les personnes portant des appareils électroniques, par exemple des stimulateurs cardiaques, doivent consulter leur(s) médecin(s) avant d'utiliser ce produit. L'utilisation d'un équipement électrique près d'un stimulateur cardiaque peut provoquer des interférences ou la panne du stimulateur cardiaque.

⚠ AVERTISSEMENT : Pour garantir la sécurité et la fiabilité, toutes les réparations doivent être effectuées par un réparateur qualifié.

⚠ AVERTISSEMENT : Cet appareil peut être utilisé par les enfants de 8 ans et plus et les personnes ayant des capacités physiques, sensorielles ou mentales réduites ou dénuées d'expérience ou de connaissance, s'ils sont correctement surveillés ou si des instructions relatives à l'utilisation de l'appareil en toute sécurité leur ont été données et si les risques encourus ont été appréhendés. Les enfants ne doivent pas jouer avec l'appareil. Le nettoyage et l'entretien par l'utilisateur ne doivent pas être effectués par des enfants sans supervision.

SYMBOLES DE SÉCURITÉ

L'objectif des symboles de sécurité est d'attirer votre attention sur des dangers potentiels. Les symboles de sécurité et les explications les accompagnant doivent être lus avec attention et compris. Les symboles de mise en garde ne permettent pas par eux-mêmes d'éliminer les dangers. Les consignes et mises en garde ne se substituent pas à des mesures de prévention appropriées des accidents.

⚠ AVERTISSEMENT : Lisez et comprenez impérativement toutes les consignes de sécurité de cette notice d'utilisation, y compris tous les symboles de mise en garde de sécurité tels que « **DANGER** », « **AVERTISSEMENT** » et « **ATTENTION** » avant d'utiliser cet outil. Ne pas respecter toutes les instructions listées dans cette notice d'utilisation peut provoquer un choc électrique, un incendie et/ou des blessures corporelles graves.

CONSIGNES DE SÉCURITÉ

Cette page décrit des symboles de sécurité pouvant être présents sur ce produit. Lisez, comprenez et respectez

toutes les instructions présentes sur l'outil avant d'essayer de l'assembler et de l'utiliser.

	Alerte de sécurité	Précautions concernant votre sécurité.
	Lire la notice d'utilisation	Pour réduire le risque de blessures, l'utilisateur doit lire la notice d'utilisation.
	Utiliser en intérieur	Utiliser cet appareil exclusivement en intérieur.
	Appareil de classe II	Conception avec double isolation.
T6,3A 	Fusibles	Fusible temporisé miniaturisé
	CE	Ce produit est conforme aux directives CE applicables.
	UKCA	Ce produit est conforme à la législation britannique applicable.
	WEEE	Les déchets de produits électriques ne doit pas être jetés avec les ordures ménagères. Jetez-les dans un dans un centre de triage agréé.
V	Volt	Tension
A	Ampères	Courant
Hz	Hertz	Fréquence (cycles par seconde)
W	Watt	Puissance
min	Minutes	Durée
	Courant alternatif	Type de courant
	Courant continu	Type ou caractéristique du courant

FR

⚠ AVERTISSEMENT : Lisez et comprenez toutes les instructions. Ne pas respecter toutes les instructions listées dans cette notice d'utilisation peut provoquer un choc électrique, un incendie et/ou des blessures corporelles graves.

SÉCURITÉ DE L'AIRE DE TRAVAIL

- **Maintenez l'aire de travail propre et bien éclairée.** Les endroits sombres ou en désordre augmentent les risques d'accident.
- **N'utilisez pas le chargeur EGO dans des environnements explosifs, par exemple en présence de liquides, gaz ou poussières inflammables.** Un chargeur peut créer des étincelles, qui peuvent enflammer les poussières et les vapeurs.

SÉCURITÉ ÉLECTRIQUE

- **N'exposez pas le chargeur à la pluie ou à un environnement mouillé.** Si de l'eau pénètre dans le chargeur, cela accroît le risque de choc électrique.
- **Ne maltraitez pas le cordon d'alimentation.** N'utilisez jamais le cordon d'alimentation pour porter, tirer ou débrancher le chargeur. Maintenez le cordon d'alimentation éloigné de la chaleur, de l'huile, des pièces mobiles et des arêtes coupantes. Les cordons d'alimentation endommagés ou emmêlés augmentent le risque de choc électrique.
- Le chargeur EGO peut recharger les batteries lithium-ion EGO listées ci-dessous :

CHARGEUR	BATTERIES
CHX5500E	BAX1500

RÉPARATION

- **Faites réparer votre chargeur par un réparateur qualifié qui ne doit utiliser que des pièces de rechange identiques.** Cela garantit que le chargeur reste sûr.
- **Le chargeur ne doit être réparé qu'avec des pièces de rechange identiques. Respectez les instructions du chapitre Entretien de cette notice d'utilisation.** L'utilisation de pièces non autorisées ou le non-respect des instructions d'entretien peut créer un risque de choc électrique ou de blessure.

CONSIGNES DE SÉCURITÉ POUR LE CHARGEUR

⚠ ATTENTION : Cet appareil n'est pas conçu pour être utilisé par des personnes (y compris les enfants) dont les capacités physiques, sensorielles ou mentales sont réduites, ou des personnes dénuées d'expérience ou de connaissance, sauf si elles ont pu bénéficier, par l'intermédiaire d'une personne responsable de leur sécurité, d'une surveillance ou d'instructions préalables concernant l'utilisation de l'appareil.

- **Avant d'utiliser le chargeur de batterie,** listez toutes les consignes et marquages de mise en garde présents dans cette notice, sur le chargeur, sur la batterie et sur l'outil pour éviter l'utilisation incorrecte des produits et des blessures et dommages potentiels.
- **Ne manipulez pas le chargeur, y compris sa fiche et ses contacts, avec les mains mouillées.**

- **Veillez à ce que le cordon d'alimentation soit positionné en sorte qu'on ne puisse pas marcher ni trébucher dessus, et à ce qu'il ne soit pas en contact avec des arêtes coupantes ou des pièces mobiles, ni soumis à un stress ou une détérioration d'une autre manière.** Cela permet de réduire le risque de chute accidentelle pouvant provoquer des blessures et la détérioration du cordon d'alimentation, ce qui pourrait provoquer un choc électrique.
- **Veillez à ce que le cordon d'alimentation et le chargeur restent éloignés de toute source de chaleur afin d'éviter d'endommager le boîtier et les pièces internes.**
- **Veillez à ce qu'il n'y ait pas d'essence, d'huile, de produit à base de pétrole, etc., qui entre en contact avec les pièces en plastiques.** Ces matières contiennent des substances chimiques pouvant endommager, fragiliser ou détruire le plastique.
- **N'utilisez pas le chargeur avec un cordon d'alimentation ou une fiche endommagé, car cela pourrait provoquer un choc électrique et un court-circuit.** En cas de détérioration, faites réparer ou remplacer le chargeur par un réparateur agréé dans un centre de réparation EGO.
- **Ne démontez pas le chargeur.** Apportez-le dans un centre de réparation agréé si des opérations de maintenance ou de réparation sont requises. Un réassemblage incorrect peut engendrer un risque d'incendie et de choc électrique.
- **Débranchez le chargeur de la prise électrique avant toute opération d'entretien ou de nettoyage afin de réduire le risque de choc électrique.**
- **Débranchez toujours le chargeur de l'alimentation électrique quand vous ne l'utilisez pas.** Cela permet de réduire le risque de choc électrique et de détérioration du chargeur au cas où des objets métalliques tomberaient dans ses ouvertures. Cela permet également de prévenir la détérioration du chargeur en cas de surtension.
- **Risque de choc électrique.** Ne touchez pas la partie non isolée des connecteurs de sortie ni les contacts non isolés de la batterie.
- **Conservez cette notice d'utilisation.** Consultez-le fréquemment et servez-vous-en pour instruire les autres personnes devant utiliser cet outil. Si vous prêtez cet outil à un tiers, remettez-lui également cette notice d'utilisation pour prévenir l'utilisation incorrecte du produit et des blessures potentielles.

CONSIGNES DE SÉCURITÉ IMPORTANTES

- **Conservez cette notice d'utilisation.** Ce manuel contient d'importantes consignes de sécurité et instructions d'utilisation pour le chargeur rapide 56V CHX5500E.
- **Avant d'utiliser le chargeur de batterie, lisez toutes les instructions et tous les marquages de mise en garde présents sur le chargeur, la batterie et le produit utilisant la batterie.**

SPÉCIFICATIONS

Chargeur, entrée	220-240 V~ 50 Hz 550 W
Chargeur, sortie	4/8 A 56 V
Temps de recharge	Recharge BAX1500 (1568 Wh) : 3,5 h (Recharge rapide) 7 h (Recharge normale)
Température de recharge optimale	5°C-40°C
Poids du chargeur	1,6 kg

DESCRIPTION

DESCRIPTION DE VOTRE CHARGEUR (Image A)

1. Cordon d'alimentation
2. Connecteur de sortie
3. Bouton
4. LED n°1 (Vert)
5. LED n°2 (Vert)
6. LED n°3 (Rouge)
7. Connecteur d'entrée
8. Trou de fixation murale
9. Orifice de ventilation

UTILISATION

RECHARGER LA BATTERIE

⚠ AVERTISSEMENT : N'utilisez pas le chargeur en extérieur et ne l'exposez pas à des environnements humides ou mouillés. Si de l'eau pénètre dans le chargeur, cela accroît le risque de choc électrique.

REMARQUE : Les batteries lithium-ion sont expédiées partiellement chargées. Avant de les utiliser pour la première fois, rechargez-les complètement.

1. Branchez le cordon d'alimentation dans le connecteur d'entrée (Image B).
2. Branchez le chargeur dans l'alimentation électrique (220-240 V/50 Hz).
3. Insérez la batterie dans le chargeur comme montré sur les images C et D.
4. Le chargeur communique avec la batterie pour évaluer l'état de la batterie.
5. Quand la batterie est normalement rechargée, la LED verte n°2 du chargeur clignote. Si vous maintenez le bouton vert appuyé au moins 1 s, le chargeur passe de la recharge normale à la recharge rapide, la LED n°2 verte s'éteint et la LED n°1 verte clignote. Le ventilateur du chargeur fonctionne en continu pour refroidir la batterie.
6. Une fois la batterie complètement rechargée, les LED d'indication de la recharge s'arrêtent de clignoter et restent allumées en vert. Attendez que le ventilateur de refroidissement s'arrête, puis retirez la batterie du chargeur et débranchez le chargeur de l'alimentation électrique.
7. Si la batterie complètement rechargée est laissée sur le chargeur, elle ne subira pas de surcharge.

REMARQUE :

- Quand le chargeur est branché dans une alimentation électrique à l'étape 1, si les 3 LED restent éteintes, consultez le chapitre « **BATTERIE OU CHARGEUR DÉFECTUEUX** ».
- La réduction significative de l'autonomie de la batterie après une recharge complète indique qu'elle est en fin de vie et doit être remplacée.
- Le chargeur peut chauffer pendant la recharge. Cela fait partie de son fonctionnement normal. Effectuez les recharges dans un endroit bien aéré.

FR

INDICATIONS FOURNIES PAR LES LED DU CHARGEUR
FR

VOYANT LED	BATTERIE		LED DU CHARGEUR			ACTION
			LED N°1 (VERT)	LED N°2 (VERT)	LED N°3 (ROUGE)	
	Défectueux		○	●	☼	La batterie ou le chargeur est défectueux.
	Surchauffe	Re-charge normale	○	☼	●	La recharge commencera quand la température de la batterie redeviendra normale.
		Re-charge rapide	☼	○	●	La recharge commencera quand la température de la batterie redeviendra normale.
	Recharge normale		○	☼	○	Recharge 4 A
	Recharge rapide		☼	○	○	Recharge 8 A
	Recharge complète	Recharge normale	○	●	○	Recharge terminée
		Recharge rapide	●	○	○	Recharge terminée
—	Auto-inspection réussie		●	●	●	Le chargeur peut être utilisé pour recharger la batterie.

●: Allumé ○: Éteint ☼: Clignotant

RECHARGER UNE BATTERIE TROP FROIDE OU TROP CHAUDE

Si la température de la batterie n'est pas dans la plage de températures normales, la LED n°3 s'allume en rouge. Une fois que la batterie a refroidi jusqu'à 57 °C environ ou s'est réchauffée jusqu'à plus de 3 °C, le chargeur commence automatiquement à la recharger.

BATTERIE OU CHARGEUR DÉFECTUEUX

Une fois le chargeur branché dans une alimentation électrique, il effectue immédiatement une auto-inspection.

1. Si l'auto-inspection échoue, aucune LED ne clignote ou ne s'allume.

Remarque : Essayez de rebrancher dans l'ordre le cordon d'alimentation dans le chargeur, puis dans l'alimentation électrique. Si les LED indiquent toujours un échec, contactez le centre EGO pour faire réparer votre chargeur.

2. Si le chargeur réussit l'inspection, les 3 LED s'allument simultanément pendant 1 s pour indiquer que le chargeur peut être utilisé pour recharger la batterie. Pendant la recharge, si le chargeur détecte un problème, la LED n°3 se met à clignoter en rouge ou toutes les LED s'éteignent.
 - Si un problème est indiqué, débranchez et rebranchez la fiche de la batterie dans le chargeur. Si les LED continuent d'indiquer un problème, essayez de recharger une autre batterie.
 - Si la recharge se passe normalement avec l'autre batterie, mettez au rebut la batterie défectueuse (voir les instructions dans la notice d'utilisation de la batterie).
 - S'il y a aussi un problème avec l'autre batterie, rebranchez le chargeur dans l'alimentation électrique jusqu'à ce que la LED n°3 rouge s'éteigne. Si les 3 LED restent éteintes ou si la LED n°3 clignote en rouge, le chargeur est peut-être défectueux.

⚠ AVERTISSEMENT : Il n'est pas recommandé d'essayer de recharger quand il est indiqué que le chargeur est défectueux, car cela peut provoquer un choc électrique et des blessures graves.

TROUS DE FIXATION MURALE

Le chargeur comporte des trous de suspension facilitant son rangement. Insérez des vis dans un mur en les écartant de 76 mm.

ENTRETIEN

⚠ AVERTISSEMENT : Pour prévenir des blessures corporelles graves, débranchez toujours la batterie du chargeur avant toute opération de nettoyage ou d'entretien.

⚠ AVERTISSEMENT : Le produit ne doit être réparé qu'avec des pièces de rechange EGO identiques. L'utilisation de toute autre pièce peut créer un danger ou détériorer le produit.

⚠ AVERTISSEMENT : Il est recommandé de ne pas utiliser d'air sec comprimé pour nettoyer le chargeur. Si le nettoyage à l'air comprimé est la seule méthode utilisable, portez toujours un masque de sécurité ou des lunettes de sécurité avec boucliers latéraux pendant le nettoyage du chargeur. L'utilisateur doit également porter un masque antipoussière si l'utilisation génère des poussières.

⚠ AVERTISSEMENT : Si le cordon d'alimentation est endommagé, utilisez exclusivement un cordon d'alimentation identique. L'utilisation d'un cordon d'alimentation non autorisé peut créer un risque de choc électrique ou de blessure.

ENTRETIEN GÉNÉRAL

N'utilisez pas de solvant pour nettoyer les pièces en plastique. La plupart des plastiques peuvent être détériorés par de nombreux solvants différents vendus dans le commerce. Utilisez des chiffons propres pour enlever les saletés, les poussières, les huiles, les graisses, etc.

⚠ AVERTISSEMENT : Veillez à ce que les pièces en plastique n'entrent jamais en contact avec du liquide de frein, de l'essence, des produits à base de pétrole, du dégrissant, etc. Les produits chimiques peuvent endommager, fragiliser ou détruire les pièces en plastique, ce qui peut provoquer des blessures corporelles graves.

⚠ AVERTISSEMENT : Le produit ne doit être réparé qu'avec des pièces de rechange EGO identiques. L'utilisation de toute autre pièce peut créer un danger ou détériorer le produit. Pour garantir la sécurité et la fiabilité, toutes les réparations doivent être effectuées par un réparateur qualifié dans un centre de réparation EGO.

FR

Protection de l'environnement



Ne jetez pas les équipements électriques, les chargeurs de batterie, les batteries rechargeables et les piles avec les ordures ménagères !

Conformément à la directive européenne 2012/19/UE, les équipements électriques et électroniques qui ne sont plus utilisables, et conformément à la directive européenne 2006/66/CE, les batteries rechargeables et les piles usagées ou défectueuses doivent être collectés séparément.

Si les appareils électriques sont jetés dans des décharges ou des dépôts d'ordures, des substances dangereuses peuvent se répandre dans la nappe phréatique et entrer dans la chaîne alimentaire, ce qui est néfaste pour votre santé et votre bien-être.

DÉPANNAGE

FR

PROBLÈME	CAUSE	SOLUTION
Le chargeur ne fonctionne pas. La LED n°3 clignote en rouge ou toutes les LED sont éteintes.	La batterie ou le chargeur sont défectueux ou il y a une mauvaise connexion entre le chargeur et la batterie.	<ul style="list-style-type: none">■ Retirez et réinsérez la batterie sur le chargeur.■ Essayez de recharger une autre batterie.■ Débranchez le chargeur et attendez que la LED rouge s'éteigne, puis rebranchez sa fiche dans la prise électrique.
	Vous branchez le chargeur trop fréquemment.	<ul style="list-style-type: none">■ Branchez le chargeur dans l'alimentation électrique 30 s après que toutes les LED se soient éteintes.
Le chargeur ne fonctionne pas et la LED n°3 est allumée en rouge.	La batterie est trop chaude ou trop froide.	<ul style="list-style-type: none">■ Attendez que la batterie atteigne une température normale. La recharge commencera quand la température de la batterie redeviendra normale.

GARANTIE

POLITIQUE DE GARANTIE EGO

Rendez-vous sur le site Internet egopowerplus.com pour consulter les termes et conditions complets de la politique de garantie EGO.

¡LEA TODAS LAS INSTRUCCIONES!



LEA EL MANUAL DEL USUARIO

Aviso: estas instrucciones están disponibles también en un formato alternativo, por ejemplo, en una página web.

⚠ ¡Riesgo residual! Las personas con implantes electrónicos, como marcapasos, deberán consultar a su médico antes de utilizar este producto. La utilización de equipos eléctricos en las proximidades inmediatas de un marcapasos podría causar en este interferencias o averías.

⚠ ADVERTENCIA: para garantizar la seguridad y fiabilidad del producto, confíe cualquier reparación que sea necesaria a personal técnico cualificado.

⚠ ADVERTENCIA: este aparato pueden utilizarlo niños que tenga 8 años o más, así como personas con capacidades físicas, sensoriales o mentales reducidas, o que carezcan de experiencia y conocimientos, si son supervisados o instruidos sobre el uso seguro del aparato, y comprenden los peligros que implica. Los niños no deben jugar con este aparato. La limpieza y el mantenimiento a realizar por el usuario no deben hacerlos los niños sin supervisión.

SÍMBOLOS RELACIONADOS CON LA SEGURIDAD

El propósito de los símbolos de seguridad es atraer su atención hacia posibles peligros. Los símbolos de seguridad y las explicaciones que los acompañan requieren su máxima atención y comprensión. Por sí solos, los símbolos de advertencia no eliminan los posibles peligros. Las instrucciones y advertencias que proporcionan no sustituyen a las medidas adecuadas de prevención de accidentes.

⚠ ADVERTENCIA: antes de utilizar esta herramienta, asegúrese de haber leído y entendido perfectamente todas las instrucciones incluidas en este Manual del usuario, incluidos todos los símbolos de aviso sobre seguridad, como **“PELIGRO”**, **“ADVERTENCIA”** y **“PRECAUCIÓN”**. Si no se siguen todas las instrucciones que se indican abajo, se pueden producir descargas eléctricas, incendios o lesiones graves.

INSTRUCCIONES RELACIONADAS CON LA SEGURIDAD

Esta página muestra y describe los símbolos de seguridad que puede haber en este producto. Antes del montaje y

utilización del producto, asegúrese de leer, comprender y seguir todas las instrucciones que están en la máquina.

	Aviso de seguridad	Precauciones relacionadas con su seguridad
	Leer el Manual del usuario	Para reducir en lo posible el riesgo de lesiones, el usuario debe leer el manual de instrucciones suministrado con el producto.
	Solo para uso en interiores	Utilice este aparato únicamente en interiores
	Protección de la carcasa perteneciente a la Clase II	Carcasa con doble aislamiento
	Fusibles	Mini fusible con retardo
	CE	Este producto está en conformidad con las directivas de la CE aplicables.
	UKCA	Este producto cumple la legislación aplicable del Reino Unido.
	RAEE	Los residuos eléctricos no deberán ser desechados con el resto de la basura doméstica. Llévelos a un punto limpio autorizado.
V	Voltios	Tensión
A	Amperios	Corriente
Hz	Hercios	Frecuencia (ciclos por segundo)
W	Vatios	Potencia eléctrica
min	Minutos	Tiempo
	Corriente alterna	Tipo de corriente
	Corriente continua	Tipo o característica de la corriente

⚠ ADVERTENCIA: lea y comprenda todas las instrucciones. Si no se siguen todas las instrucciones que se indican abajo, se pueden producir descargas eléctricas, incendios o lesiones graves.

SEGURIDAD EN LA ZONA DE TRABAJO

- **Mantenga la zona de trabajo limpia y bien iluminada.** Las áreas de trabajo desordenadas y oscuras favorecen los accidentes.

ES

SEGURIDAD ELÉCTRICA

- **No utilice el cargador EGO en entornos explosivos, como en presencia de líquidos, gases o polvo inflamables.** El cargador puede generar chispas que podrían provocar la ignición de vapores y o polvo.

- **No exponga el cargador a la lluvia ni a entornos húmedos.** La penetración de agua en el cargador aumentará el riesgo de electrocución.
- **No maltrate el cable.** Nunca utilice el cable para transportar, arrastrar, o desenchufar el cargador. Mantenga el cable apartado de fuentes de calor, aceite, cantos afilados o elementos móviles. Los cables dañados o enredados aumentan el riesgo de descarga eléctrica.
- El cargador EGO es adecuado para recargar los acumuladores de ion de litio EGO indicados a continuación:

CARGADOR	ACUMULADORES
CHX5500E	BAX1500

SERVICIO TÉCNICO

- **Las reparaciones del cargador deberá realizarlas el personal técnico cualificado, utilizando únicamente piezas de recambio idénticas a las originales.** Solo de este modo podrá garantizarse la seguridad de uso del cargador.
- **Las reparaciones del cargador deberán utilizarse únicamente con piezas idénticas a las originales. Siga las instrucciones del apartado "Mantenimiento" de este manual.** La utilización de piezas no aprobadas por el fabricante, así como el incumplimiento de las instrucciones de mantenimiento, podría provocar riesgo de electrocución o lesiones.

NORMAS DE SEGURIDAD PARA EL CARGADOR

⚠ PRECAUCIÓN: este dispositivo no está previsto para que lo usen personas (incluyendo niños) con capacidades físicas, sensoriales o mentales reducidas, o que carezcan de experiencia y conocimientos, a menos que sean supervisadas o instruidas sobre el uso del dispositivo por una persona responsable de su seguridad.

- **Antes de utilizar el cargador de baterías,** lea todas las instrucciones e indicaciones de precaución impresas en este manual o estampadas tanto en el cargador como en el acumulador y el producto que lo utilice, a fin de evitar su uso incorrecto y posibles lesiones o daños.

- **No manipule con las manos mojadas el cargador, incluyendo el enchufe, el conector o los terminales eléctricos.**
- **Asegúrese de que el cable de alimentación esté colocado de manera que no sea posible pisarlo o tropezar con él, y de forma que no pueda entrar en contacto con bordes afilados o piezas en movimiento.** De esta manera se reducirá el riesgo de caídas fortuitas, que podrían causar lesiones y dañar el cable, pudiendo provocar una descarga eléctrica.
- **Mantenga tanto el cable como el cargador apartados del calor para evitar daños en la carcasa o las piezas internas.**
- **No deje que las piezas de plástico entren en contacto con gasolina, aceites, productos derivados del petróleo, etc.** Dichas sustancias contienen productos químicos que podrían dañar, debilitar o destruir el plástico.
- **No utilice el cargador si el cable de alimentación o el enchufe están dañados, ya que podría dar lugar a cortocircuitos y sufrir una descarga eléctrica.** Si el cargador estuviese dañado, llévelo a reparar a un técnico autorizado de un Centro de Servicio de EGO.
- **No desmonte el cargador.** Llévelo a un técnico autorizado cuando haya que someterlo a un servicio técnico o una reparación. Si el producto no se monta correctamente, puede producirse riesgo de descarga eléctrica o de incendio.
- **Para evitar el riesgo de electrocución, desenchufe el cargador de la toma de corriente antes de proceder a su limpieza o mantenimiento.**
- **Desenchufe el cargador de la red eléctrica cuando no lo esté utilizando.** De esta manera se reducirá el riesgo de sufrir una descarga eléctrica o de que se dañe el cargador si algún objeto metálico cayese dentro de la abertura. Asimismo, se evitará que el cargador sufra daños en caso de producirse una subida de tensión.
- **Riesgo de descarga eléctrica.** No toque la zona sin aislar del conector de salida ni los terminales de contacto sin aislar para el acumulador.
- **Conserve estas instrucciones.** Consúltelas con frecuencia y utilícelas para instruir a otras personas que vayan a utilizar esta herramienta. En caso de prestar esta herramienta a terceros, proporciónelas también estas instrucciones a fin de evitar su uso incorrecto y posibles lesiones.

INSTRUCCIONES DE SEGURIDAD IMPORTANTES

- **Conserve estas instrucciones.** Este manual incluye secciones con informaciones importantes, tales como precauciones relacionadas con la seguridad e instrucciones de uso relacionadas con el Cargador Rápido de 56 V modelo CHX5500E.
- **Antes de utilizar el cargador de baterías, lea todas las instrucciones e indicaciones de precaución estampadas en el cargador, en el acumulador, y en el aparato con el que se utilice.**

ESPECIFICACIONES

Entrada del cargador	220-240 V~ 50 Hz 550 W
Salida del cargador	4/8 A 56 V
Tiempo de carga	Carga BAX1500 (1568 Wh): 3,5 h (carga rápida) 7 h (carga normal)
Temperatura óptima de carga	5°C-40°C
Peso del cargador	1,6 kg

DESCRIPCIÓN

FAMILIARÍCESE CON EL CARGADOR (Fig. A)

1. Cable de alimentación
2. Interfaz de salida
3. Botón
4. Indicador LED n.º 1 (verde)
5. Indicador LED n.º 2 (verde)
6. Indicador LED n.º 3 (rojo)
7. Interfaz de entrada
8. Orificio para fijación a la pared
9. Rejilla de refrigeración

FUNCIONAMIENTO

CARGAR EL ACUMULADOR

ADVERTENCIA: no utilice el cargador al aire libre ni lo exponga a entornos húmedos o con vapor. La penetración de agua en el cargador aumentará el riesgo de electrocución.

AVISO: los acumuladores de ion de litio se suministran parcialmente cargados. Antes de usar por primera vez los acumuladores, asegúrese de recargarlos totalmente.

1. Inserte el cable de alimentación separado en la interfaz de entrada (fig. B).
2. Enchufe el cargador a la red eléctrica (220-240 V/50 Hz).
3. Introduzca el enchufe de la batería en el cargador, como se muestra en las fig. C y D.
4. El cargador se comunicará con el acumulador para evaluar su nivel de carga.
5. Cuando el acumulador se está cargando normalmente, el indicador LED verde n.º 2 del cargador parpadea. Si se mantiene pulsado el botón verde como mínimo durante 1 segundo, la carga normal cambiará a carga rápida y el indicador LED verde n.º 2 se apagará, mientras que el indicador LED verde n.º 1 parpadeará. El ventilador incorporado en el cargador funcionará constantemente a fin de enfriar el acumulador.
6. Cuando el acumulador esté totalmente cargado, los LED de indicación de carga dejarán de parpadear y permanecerán encendidos en verde. Espere hasta que el ventilador de refrigeración se haya detenido. A continuación, saque el acumulador del cargador y desenchufe el cargador de la red eléctrica.
7. El acumulador permanecerá totalmente cargado si se deja en el cargador enchufado a la red eléctrica, sin peligro de que llegue a sobrecargarse.

AVISO:

- Mientras el cargador está conectado a la alimentación eléctrica en el paso 1, si los tres indicadores LED siguen apagados, consulte el apartado "**ACUMULADOR O CARGADOR DEFECTUOSO**".
- Si tras haber recargado totalmente el acumulador se observa una disminución importante de su autonomía habitual, significa que el acumulador está llegando al final de su vida útil y deberá cambiarse por otro.
- Es posible que el cargador se caliente durante la carga. Se trata de un fenómeno normal relacionado con el funcionamiento del cargador. Lleve a cabo la carga en una zona bien ventilada.

FUNCIONES DE LOS INDICADORES LED DEL CARGADOR

ES

INDICADOR LED	BATERÍA DE MOCHILA		INDICADOR LED EN EL CARGADOR			ACCIÓN
			INDICADOR LED N.º 1 (VERDE)	INDICADOR LED N.º 2 (VERDE)	INDICADOR LED N.º 3 (ROJO)	
	Defectuoso		○	●	☼	Acumulador o cargador defectuoso
	Temperatura excesiva	Carga normal	○	☼	●	El proceso de carga se iniciará cuando el acumulador vuelva a estar a la temperatura normal.
		Carga rápida	☼	○	●	El proceso de carga se iniciará cuando el acumulador vuelva a estar a la temperatura normal.
	Carga normal		○	☼	○	Carga con 4 A
	Carga rápida		☼	○	○	Carga con 8 A
	Totalmente cargado	Carga normal	○	●	○	Proceso de carga finalizado
		Carga rápida	●	○	○	Proceso de carga finalizado
—	Autocomprobación correcta		●	●	●	El cargador se puede usar para cargar la batería

●: Encendido ○: Apagado ☼: Parpadeando

CARGAR UN ACUMULADOR DEMASIADO FRÍO O CALIENTE

Si la temperatura del acumulador está fuera del margen normal, el indicador LED n.º 3 se encenderá en rojo. Cuando el acumulador se haya enfriado a una temperatura de aproximadamente 57 °C o se caliente por encima de los 3 °C, el cargador iniciará la carga automáticamente.

ACUMULADOR O CARGADOR DEFECTUOSO

El cargador iniciará una autocomprobación inmediatamente después de conectarlo a la red eléctrica.

1. Si se encuentra un fallo durante la autocomprobación, no se encenderá ni parpadeará ninguno de los indicadores LED.

Aviso: pruebe a enchufar de nuevo el cable de alimentación en el cargador y en la toma de corriente, por ese orden. Si los LED siguen indicando "fallo" por segunda vez, póngase en contacto con el centro de servicio de EGO para solicitar la reparación del cargador.

2. Si el cargador supera la comprobación, los tres indicadores LED se encenderán durante 1 segundo simultáneamente, lo que significa que el cargador se puede usar para cargar el acumulador. Durante la carga, si el cargador detecta un problema, el indicador LED n.º 3 comenzará a parpadear en rojo, o bien todos los indicadores LED se apagarán.
 - Si se indica un fallo, pruebe a quitar el acumulador del cargador y volver a colocarlo. Si después de esto los LED siguen indicando que el acumulador está "defectuoso", intente cargar otro acumulador.
 - Si con otro acumulador la carga se realiza normalmente, elimine el acumulador defectuoso (consulte las instrucciones en el manual del acumulador).
 - Si con otro acumulador también se indica "defectuoso", vuelva a conectar el cargador a la red eléctrica hasta que se apague LED n.º 3 rojo. Si los tres indicadores LED siguen apagados, o si el LED n.º 3 parpadea de color rojo, puede que el cargador esté defectuoso.

⚠ ADVERTENCIA: no se recomienda intentar la carga si se ha confirmado que el cargador está defectuoso, ya que podría provocarse una descarga eléctrica o incluso lesiones graves.

ORIFICIOS PARA FIJACIÓN A LA PARED

El cargador tiene orificios para colgarlo y guardarlo cómodamente. Instale los tornillos en la pared, separados a una distancia de 76 mm.

MANTENIMIENTO

⚠ ADVERTENCIA: para evitar lesiones físicas graves, desconecte siempre el acumulador del cargador para realizar la limpieza o el mantenimiento.

⚠ ADVERTENCIA: cuando repare el producto, utilice únicamente piezas originales EGO idénticas a las originales. La utilización de otras piezas podría suponer un peligro o causar daños en el producto.

⚠ ADVERTENCIA: no se recomienda utilizar aire comprimido seco como método para limpiar el cargador. Si el único método de limpieza disponible es utilizando aire a presión, utilice siempre gafas de seguridad o gafas con protectores laterales. Asimismo, utilice mascarilla antipolvo si la operación efectuada genera polvo.

⚠ ADVERTENCIA: si el cable de alimentación está dañado, utilice solo un cable idéntico. El uso de un cable de alimentación no autorizado podría provocar un riesgo de descarga o lesiones.

MANTENIMIENTO GENERAL

Evite utilizar disolventes para limpiar las piezas plásticas. La mayoría de los plásticos podrían dañarse si se limpian con algunos de los tipos de disolventes disponibles en el mercado. Utilice paños limpios para eliminar la suciedad y los residuos de polvo, aceite, grasa, etc.

⚠ ADVERTENCIA: no deje nunca que las piezas de plástico entren en contacto con líquido de frenos, gasolina, productos derivados del petróleo, aceites penetrantes, etc. Las sustancias químicas podrían dañar, debilitar o destruir el plástico, con el consiguiente riesgo de provocar lesiones graves.

⚠ ADVERTENCIA: cuando repare el producto, utilice únicamente piezas originales EGO idénticas a las originales. La utilización de otras piezas podría suponer un peligro o causar daños en el producto. Para garantizar la seguridad y fiabilidad del producto, todas las reparaciones debería realizarlas un técnico cualificado en un Centro de Servicio de EGO.

ES

Protección del medio ambiente



¡No elimine aparatos eléctricos, cargadores de baterías, acumuladores o baterías recargables con la basura doméstica!

Tanto la Directiva europea 2012/19/UE sobre la eliminación de aparatos eléctricos y electrónicos inservibles como la Directiva europea 2006/66/CE sobre la eliminación de baterías o acumuladores defectuosos o agotados estipulan que dichos elementos deben ser objeto de una recogida selectiva.

Si los aparatos eléctricos acabaran tirándose a vertederos o basureros, podrían desprender sustancias perjudiciales que llegarían a contaminar las capas freáticas y entrar en la cadena alimenticia, con el consecuente peligro para la salud y calidad de vida humana.

RESOLUCIÓN DE PROBLEMAS

ES

PROBLEMA	CAUSA	SOLUCIÓN
El cargador no funciona. El LED n.º 3 parpadea en rojo o todos los indicadores LED están apagados	El acumulador o el cargador están defectuosos o hay una mala conexión entre el acumulador y el cargador.	<ul style="list-style-type: none"> ■ Pruebe a quitar el acumulador del cargador y volver a colocarlo. ■ Pruebe a cargar otro acumulador. ■ Desenchufe el cargador y espere a que el LED rojo se apague. A continuación, vuelva a enchufar el cargador a la red eléctrica.
	El cargador conmuta con demasiada frecuencia	<ul style="list-style-type: none"> ■ Conecte el cargador a la red eléctrica 30 segundos después de que se hayan apagado todos los LED.
El cargador no funciona y el LED n.º 3 se enciende en rojo.	El acumulador está demasiado caliente o frío.	<ul style="list-style-type: none"> ■ Espere a que el acumulador alcance la temperatura normal. El proceso de carga se iniciará cuando el acumulador vuelva a estar a la temperatura normal.

GARANTÍA

POLÍTICA DE GARANTÍA DE EGO

Visite la página web egopowerplus.com para conocer los términos y condiciones completos de la política de garantía de EGO.

LEIA TODAS AS INSTRUÇÕES!



LEIA O MANUAL DE INSTRUÇÕES

Nota: Estas instruções também estão disponíveis num formato alternativo, como num website.

⚠ Risco residual! As pessoas com dispositivos electrónicos, como pacemakers, deverão consultar o seu médico antes de utilizarem este produto. A utilização de equipamento elétrico perto de um pacemaker pode causar interferências ou falhas no pacemaker.

⚠ AVISO: Para assegurar a segurança e bom funcionamento, todas as reparações deverão ser efetuadas por um técnico de reparação qualificado.

⚠ AVISO: Este aparelho pode ser usado por crianças com mais de 8 anos de idade e pessoas com capacidades físicas, sensoriais ou mentais reduzidas, ou falta de experiência e conhecimentos, se forem supervisionadas e ensinadas quanto à utilização do aparelho de um modo seguro, e compreenderem os perigos envolvidos. As crianças não deverão brincar com o aparelho. A limpeza e a manutenção não devem ser efetuadas por crianças sem supervisão.

SÍMBOLOS DE SEGURANÇA

O objetivo dos símbolos de segurança é chamar a atenção para possíveis perigos. Os símbolos de segurança e as explicações apresentadas com eles requerem a sua atenção e compreensão. Os avisos de segurança, só por eles, não eliminam o perigo. As instruções e avisos dados não são substitutos para medidas de prevenção adequadas a acidentes.

⚠ AVISO: Certifique-se de que lê e compreende todos os avisos de segurança neste manual do utilizador, incluindo todos os símbolos de alerta de segurança, como **“PERIGO”**, **“AVISO”** e **“CUIDADO”** antes de usar esta ferramenta. Não seguir todas as instruções apresentadas abaixo pode resultar em choque elétrico, incêndio e/ou lesões graves.

INSTRUÇÕES DE SEGURANÇA

Esta página retrata e descreve os símbolos de segurança que podem aparecer neste produto. Leia, compreenda e siga todas as instruções na máquina antes de tentar montar e utilizar.

	Alerta de segurança	Precauções que envolvam a sua segurança
	Leia o manual de instruções	De modo a reduzir os riscos de ferimentos, o utilizador tem de ler o manual de instruções.
	Utilização no interior	Utilize este equipamento apenas no interior
	Construção de classe II	Construção com isolamento duplo
T6,3A 	Ligações do fusível	Ligação do fusível miniatura do espaçamento de tempo
	CE	Este produto encontra-se em conformidade com as diretivas CE aplicáveis.
	UKCA	Este produto está em conformidade com a legislação aplicável do Reino Unido.
	WEEE	Os produtos elétricos residuais não deverão ser eliminados juntamente com o lixo doméstico comum. Entregue-os num centro de reciclagem autorizado.
V	Volts	Voltagem
A	Amperes	Corrente
Hz	Hertz	Frequência (ciclos por segundo)
W	Watt	Potência
min	Minutos	Tempo
	Corrente alternada	Tipo de corrente
	Corrente direta	Tipo ou característica da corrente

PT

⚠ AVISO: Leia e compreenda todas as instruções. Não seguir todas as instruções apresentadas abaixo pode resultar em choque elétrico, incêndio e/ou lesões graves.

SEGURANÇA NA ÁREA DE TRABALHO

- **Mantenha a área de trabalho limpa e bem iluminada.** Áreas desarrumadas ou escuras são propícias a acidentes.
- **Não utilize o carregador EGO em ambientes explosivos, tal como na presença de líquidos inflamáveis, gases ou pó.** Um carregador pode criar uma faísca, que pode inflamar o pó ou fumos.

SEGURANÇA ELÉTRICA

- **Não exponha o aparelho à chuva ou a condições húmidas.** A entrada da água na máquina aumentará o risco de choque elétrico.

- **Não force o fio.** Nunca utilize o fio para transportar, puxar ou desligar o carregador. Mantenha o fio afastado do calor, óleo, arestas afiadas ou peças móveis. Fios danificados ou presos aumentam o risco de choque elétrico.
- O carregador EGO pode carregar as baterias de íon e lítio da EGO listadas em baixo:

CARREGADOR	BATERIAS
CHX5500E	BAX1500

REPARAÇÃO

- **A manutenção do seu carregador deverá ser sempre efetuada por pessoas qualificadas, utilizando apenas peças de substituição idênticas.** Tal irá assegurar que a segurança do carregador é mantida.
- **Quando fizer a manutenção de um carregador, utilize peças de substituição idênticas. Siga as instruções no capítulo de Manutenção deste manual.** A utilização de peças não autorizadas ou o não cumprimento das instruções de Manutenção pode criar um risco de choque ou ferimentos.

REGRAS DE SEGURANÇA PARA O CARREGADOR

⚠ CUIDADO: Este aparelho não foi criado para ser utilizado por pessoas (incluindo crianças) com capacidades físicas, sensoriais ou mentais reduzidas, ou falta de experiência ou conhecimentos, exceto se forem supervisionadas ou se lhes forem dadas instruções em relação à unidade, por uma pessoa responsável pela sua segurança.

- **Antes de usar o carregador da bateria,** leia todas as instruções e marcas de atenção neste manual, no carregador da bateria, na bateria e no produto, para evitar uma má utilização dos produtos e possíveis lesões ou danos.
- **Não manuseie o carregador, incluindo a ficha do carregador e os terminais com as mãos molhadas.**
- **Certifique-se de que o fio se encontra num local onde não seja piscado e não entre em contacto com extremidades afiadas ou peças móveis, nem seja exposto a danos ou tensão.** Isto reduz o risco de quedas acidentais, que podem causar lesões e danos no fio, o que pode depois dar origem a um choque elétrico.
- **Mantenha o fio e o carregador afastados do calor, para evitar danos na estrutura ou nas peças internas.**

- **Não permita que gasolina, óleos, produtos à base de petróleo, etc., entrem em contacto com as peças de plástico.** Estes materiais contêm químicos que podem danificar, enfraquecer ou destruir os plásticos.
- **Não utilize o carregador com a ficha ou fio danificados, o que pode causar um curto-circuito ou choque elétrico.** Se ficar danificado, o carregador deverá ser reparado ou substituído por um técnico de reparação autorizado do centro de reparação da EGO.
- **Não desmonte o carregador.** Entregue-o a um técnico de reparação autorizado quando necessária manutenção ou reparação. A montagem incorrecta pode dar origem ao risco de choques elétricos ou fogo.
- **Desligue o carregador da alimentação antes de efetuar qualquer limpeza ou manutenção, para reduzir o risco de choque elétrico.**
- **Desligue o carregador da alimentação quando não o utilizar.** Isto reduz o risco de choque elétrico ou danos no carregador se caírem itens de metal na abertura. Também ajuda a evitar danos no carregador durante um pico de corrente.
- **Risco de choque elétrico.** Não toque na parte que não está isolada no conector de saída, ou terminal da bateria que não está isolado.
- **Guarde estas instruções.** Consulte com frequência e utilize estas instruções para instruir outras pessoas sobre a forma de utilizar este equipamento. Se emprestar este aparelho, entregue também estas instruções, para evitar uma má utilização do produto e possíveis lesões.

INSTRUÇÕES DE SEGURANÇA IMPORTANTES

- **Guarde estas instruções.** Este manual contém instruções importantes de funcionamento e de segurança para o carregador rápido de 56V CH5500E.
- **Antes de usar o carregador da bateria, leia todas as instruções e marcas de aviso no carregador, bateria e produto.**

ESPECIFICAÇÕES

Entrada do carregador	220-240 V~50 Hz 550 W
Saída do carregador	4/8 A 56 V
Tempo de carregamento	Carregar BAX1500 (1568 Wh): 3,5 h (carregamento rápido) 7 h (carregamento normal)
Temperatura de carregamento ótima	5°C-40°C
Peso do carregador	1,6 kg

DESCRIÇÃO

CONHEÇA O SEU CARREGADOR (Imagem A)

1. Fio da alimentação
2. Interface de saída
3. Botão
4. LED nº 1 (verde)
5. LED nº 2 (verde)
6. LED nº 3 (vermelho)
7. Interface de entrada
8. Orifício de montagem na parede
9. Entrada de ar de arrefecimento

FUNCIONAMENTO

COMO CARREGAR A BATERIA

⚠ AVISO: Não use o carregador no exterior nem o exponha à humidade. A entrada da água na máquina aumentará o risco de choque elétrico.

NOTA: As baterias de ião e lítio saem de fábrica parcialmente carregadas. Antes de a usar pela primeira vez, carregue a bateria por completo.

1. Insira o fio da alimentação em separado no interface de entrada (Imagem B).
2. Ligue o carregador à alimentação (220-240V/50Hz).

3. Insira a ficha da bateria no carregador, conforme apresentado na Imagem C e D.
4. O carregador comunica com a bateria para avaliar o estado da bateria.
5. Quando a bateria estiver a carregar normalmente, o LED nº 2 verde no carregador pisca. Se mantiver o botão verde premido durante, pelo menos, 1 segundo, o carregamento normal passa para carregamento rápido e o LED nº 2 verde desliga-se, com o LED nº 1 verde a piscar. A ventoinha no carregador funciona continuamente para arrefecer a bateria.
6. Quando a bateria estiver completamente carregada, os LEDs de indicação de carregamento param de piscar e permanecem ligados a verde. Espere até que a ventoinha de arrefecimento pare, retire a bateria do carregador e desligue o carregador da alimentação.
7. A bateria fica completamente carregada se for deixada no carregador, mas não fica sobrecarregada.

AVISO:

- Enquanto o carregador estiver ligado à alimentação no passo 1, se os 3 LEDs permanecerem desligados, consulte a secção **BATERIA OU CARREGADOR DEFETUOSOS**.
- Um tempo de funcionamento que seja reduzido significativamente após um carregamento completo indica que a bateria está perto do fim do seu tempo de vida útil e que tem de ser substituída.
- O carregador pode aquecer durante o carregamento. Isto faz parte do funcionamento normal do carregador. Carregue numa área bem ventilada.

FUNÇÕES LED DO CARREGADOR

INDICADOR LED	BATERIA DE MOCHILA		LED LIGADO NO CARREGADOR			AÇÃO
			LED Nº 1 (VERDE)	LED Nº 2 (VERDE)	LED Nº 3 (VERMELHO)	
	Com defeito		○	●		A bateria ou carregador têm um defeito
	Temperatura excessiva	Carregamento normal	○		●	O carregamento começa quando a bateria voltar à temperatura normal
		Carregamento rápido		○	●	O carregamento começa quando a bateria voltar à temperatura normal
	Carregamento normal		○		○	Carregamento de 4A
	Carregamento rápido			○	○	Carregamento de 8A
	Completamente carregada	Carregamento normal	○	●	○	Carregamento completo
		Carregamento rápido	●	○	○	Carregamento completo
—	Inspeção automática efetuada com sucesso		●	●	●	O carregador pode ser usado para carregar a bateria

●: Ligado ○: Desligado : A piscar

CARREGAR UMA BATERIA FRIA OU QUENTE

Se a bateria estiver fora da temperatura normal, o LED Nº 3 brilha a vermelho. Quando a bateria arrefecer para cerca de 57 °C ou aquecer mais de 3 °C, o carregador começa automaticamente a carregar.

BATERIA OU CARREGADOR DEFEITUOSOS

Quando o carregador for ligado à alimentação, começa imediatamente a inspeção automática.

- Se a inspeção automática falhar, nenhum LED pisca ou acende.

Nota: Tente voltar a inserir o fio da alimentação no carregador e na alimentação em sequência. Se os LEDs continuarem a falhar na segunda vez, contacte um centro EGO para proceder à reparação do seu carregador.

- Se o carregador passar na inspeção, os 3 LEDs acendem em simultâneo durante 1 segundo, o que significa que o carregador pode ser usado para carregar a bateria. Durante o carregamento, se o carregador detetar um problema, o LED nº 3 começa a piscar a vermelho ou todos os LED desligam-se.
 - Se for visto como um defeito, retire e volte a colocar a ficha da bateria no carregador. Se o LED continuar a analisar a situação como um “defeito”, tente carregar uma bateria diferente.
 - Se uma bateria diferente carregar normalmente, elimine a bateria defeituosa (consulte as instruções no manual da bateria).
 - Se uma bateria diferente também indicar um defeito, volte a ligar o carregador à alimentação, até que o LED nº 3 se desligue. Se todos os 3 LEDs se mantiverem desligados, ou se o LED nº 3 piscar a vermelho, o carregador pode ter um defeito.

⚠ AVISO: Não recomendamos que tente efetuar o carregamento enquanto o carregador estiver danificado, pois pode sofrer um choque elétrico ou lesões sérias.

ORIFÍCIOS DE MONTAGEM NA PAREDE

O carregador tem orifícios de fixação para uma arrumação conveniente. Instale os parafusos na parede com uma distância entre eles de 76 mm.

MANUTENÇÃO

⚠ AVISO: Para evitar lesões pessoais sérias, retire sempre a bateria do carregador quando limpar ou efetuar qualquer manutenção.

⚠ AVISO: Quando fizer reparações, utilize apenas peças de substituição idênticas da EGO. A utilização de outras peças pode dar origem a perigos ou danos no produto.

⚠ AVISO: Não recomendamos a utilização de ar comprimido seco como método de limpeza para o carregador. Se a limpeza com ar comprimido for o único método que pode utilizar, utilize sempre óculos de segurança com proteções laterais quando limpar o carregador. Se a operação fizer muito pó, use também uma máscara para o pó.

⚠ AVISO: Se o fio da alimentação ficar danificado, use apenas um fio da alimentação idêntico. A utilização de um fio da alimentação não autorizado pode criar um risco de choque ou ferimentos.

MANUTENÇÃO GERAL

Evite usar solventes quando limpar peças de plástico. Grande parte dos plásticos é susceptível a danos devido a vários tipos de solventes comerciais. Use panos limpos para retirar a sujidade, pó, óleo, gordura, etc.

⚠ AVISO: Nunca permita que o líquido dos travões, gasolina, produtos à base de petróleo, óleos penetrantes, etc., entrem em contacto com as peças de plástico. Os químicos podem danificar, enfraquecer ou destruir o plástico, o que pode dar origem a lesões pessoais sérias.

⚠ AVISO: Quando fizer reparações, utilize apenas peças de substituição idênticas da EGO. A utilização de outras peças pode dar origem a perigos ou danos no produto. Para assegurar a segurança e bom funcionamento, todas as reparações deverão ser efetuadas por um técnico num centro de reparação da EGO.

Proteja o ambiente



Não elimine equipamento elétrico, carregador da bateria e baterias/baterias recarregáveis juntamente com o lixo doméstico comum!

De acordo com a norma europeia 2002/19/UE, o equipamento elétrico e eletrónico que deixe de ser usado e de acordo com a norma europeia 2006/66/CE, as baterias gastas ou defeituosas têm de ser recolhidas em separado.

Se os equipamentos elétricos forem eliminados em aterros ou lixeiras, substâncias perigosas podem vaziar para os lençóis freáticos e entrar na cadeia de alimentação, danificando a sua saúde e bem-estar.

PT

RESOLUÇÃO DE PROBLEMAS**PT**

PROBLEMA	CAUSA	SOLUÇÃO
O carregador não funciona. O LED nº 3 pisca a vermelho ou todos os LED se desligam.	A bateria ou o carregador têm um defeito ou uma má ligação entre a bateria e o carregador.	<ul style="list-style-type: none">■ Tente retirar e volte a colocar a bateria no carregador.■ Tente carregar uma bateria diferente.■ Desligue o carregador da alimentação e espere até que o LED vermelho se desligue, depois volte a ligar a ficha na tomada.
	Liga o carregador muito frequentemente.	<ul style="list-style-type: none">■ Ligue o carregador à alimentação passados 30 segundos de os LEDs se terem desligado.
O carregador não funciona e o LED nº 3 permanece ligado a vermelho.	A bateria está muito quente ou muito fria.	<ul style="list-style-type: none">■ Deixe a bateria atingir a temperatura normal. O carregamento começa quando a bateria voltar à temperatura normal.

GARANTIA**POLÍTICA DE GARANTIA EGO**

Visite o website egopowerplus.com para os termos e condições completos da política de garantia da EGO.

LEGGERE TUTTE LE ISTRUZIONI!



LEGGERE IL MANUALE DI ISTRUZIONI

Attenzione! Queste istruzioni sono disponibili anche in un formato alternativo, ad esempio su un sito web.

⚠️ Rischi residui! Le persone portatrici di dispositivi elettronici, ad esempio pacemaker, devono consultare il proprio medico prima di usare questo prodotto. L'uso di apparecchi elettrici in prossimità di pacemaker cardiaci comporta il rischio di interferenze o malfunzionamento del pacemaker.

⚠️ AVVERTENZA! Per garantire sicurezza e affidabilità, tutte le riparazioni e sostituzioni devono essere eseguite da un tecnico qualificato.

⚠️ AVVERTENZA! Questo apparecchio può essere usato da bambini di età superiore a 8 anni e da persone con ridotte capacità fisiche, sensoriali o mentali o prive di esperienza o conoscenza, solo se supervisionati o istruiti sull'uso sicuro dell'apparecchio e se comprendono i rischi correlati. I bambini non devono giocare con l'apparecchio. Le operazioni di pulizia e manutenzione ordinaria non devono essere effettuate da bambini non supervisionati.

SIMBOLI DI SICUREZZA

Lo scopo dei simboli di sicurezza è attirare l'attenzione dell'operatore su possibili pericoli. I simboli di sicurezza e le relative spiegazioni richiedono la massima attenzione e comprensione da parte dell'operatore. Le avvertenze espresse dai simboli, da sole, non eliminano tutti i rischi. Le istruzioni e le avvertenze non sostituiscono le adeguate misure di prevenzione contro gli incidenti.

⚠️ AVVERTENZA! Accertarsi di aver letto e compreso tutte le istruzioni di sicurezza in questo manuale, inclusi tutti i simboli di avvertenza come "PERICOLO", "AVVERTENZA" e "ATTENZIONE", prima di usare questo apparecchio. Il mancato rispetto di tutte le istruzioni elencate di seguito comporta il rischio di scossa elettrica, incendio e/o lesioni gravi.

ISTRUZIONI DI SICUREZZA

Questa pagina illustra e descrive i simboli di sicurezza che possono comparire sul prodotto. Leggere, comprendere e seguire tutte le istruzioni sull'apparecchio prima di tentare di assemblarlo e ripararlo.

	Avvertenza di sicurezza	Precauzioni relative alla sicurezza dell'operatore.
	Leggere il manuale di istruzioni	Per ridurre il rischio di infortunio, l'utente deve leggere il manuale di istruzioni.
	Uso in interni	Usare questo apparecchio esclusivamente in interni.
	Apparecchio di classe II	Apparecchio dotato di doppio isolamento.
	Fusibili	Fusibile ritardato miniaturizzato
	CE	Questo prodotto è conforme alle direttive europee applicabili.
	UKCA	Questo prodotto è conforme alla legislazione britannica pertinente.
	RAEE	I prodotti elettrici non devono essere smaltiti insieme ai rifiuti domestici. Portarli presso un centro di riciclaggio autorizzato.
V	Volt	Voltaggio
A	Ampere	Corrente
Hz	Hertz	Frequenza (cicli al secondo)
W	Watt	Potenza
min	Minuti	Tempo
	Corrente alternata	Tipo di corrente
	Corrente continua	Tipo o caratteristica della corrente

IT

⚠️ AVVERTENZA! Leggere e comprendere tutte le istruzioni. Il mancato rispetto di tutte le istruzioni elencate di seguito comporta il rischio di scossa elettrica, incendio e/o lesioni gravi.

SICUREZZA DELL'AREA DI LAVORO

- **Mantenere l'area di lavoro pulita e ben illuminata.** Aree ingombre e ombreggiate favoriscono gli incidenti.
- **Non usare il caricabatteria EGO in atmosfere esplosive, ad esempio in presenza di liquidi, gas o polveri infiammabili.** I caricabatteria producono scintille suscettibili di dare fuoco a polveri o vapori.

SICUREZZA ELETTRICA

- **Non esporre il caricabatteria a pioggia o condizioni di umidità.** La penetrazione di acqua all'interno del caricabatteria aumenta il rischio di scossa elettrica.

- **Non danneggiare il cavo di alimentazione.** Non usare mai il cavo per trasportare, tirare o scollegare l'apparecchio. Tenere il cavo al riparo da calore, olio, oggetti taglienti o parti in movimento. Cavi danneggiati o aggrovigliati aumentano il rischio di scossa elettrica.
- Il caricabatteria EGO può ricaricare i gruppi batteria EGO agli ioni di litio elencati di seguito.

CARICABATTERIA	GRUPPI BATTERIA
CHX5500E	BAX1500

IT

RIPARAZIONI

- **Affidare la riparazione del caricabatteria a tecnici qualificati usando esclusivamente parti di ricambio identiche.** Ciò garantisce la sicurezza del caricabatteria.
- **Durante la riparazione del caricabatteria, usare esclusivamente parti di ricambio identiche. Seguire le istruzioni riportate alla sezione "Manutenzione" di questo manuale.** L'uso di parti non autorizzate o il mancato rispetto delle istruzioni di manutenzione comportano il rischio di scossa elettrica o infortunio.
- **Tenere il cavo e il caricabatteria al riparo dal calore per evitare danni alle superfici esterne e ai componenti interni.**
- **Impedire il contatto di benzina, oli, prodotti a base di petrolio, ecc. con le parti in plastica.** Tali materiali contengono sostanze chimiche suscettibili di danneggiare, indebolire o distruggere la plastica.
- **Non usare il caricabatteria se il cavo di alimentazione o la spina sono danneggiati per evitare il rischio di corto circuito e scossa elettrica.** Se il caricabatteria è danneggiato, affidarne la riparazione o sostituzione a un tecnico autorizzato di un centro di assistenza EGO.
- **Non disassemblare il caricabatteria.** Affidare eventuali riparazioni a un tecnico autorizzato. Un riassetto scorretto comporta il rischio di scossa elettrica o incendio.
- **Scollegare il caricabatteria dalla presa di corrente prima di effettuare operazioni di pulizia o manutenzione per evitare il rischio di scossa elettrica.**
- **Scollegare il caricabatteria dalla rete elettrica quando non è in uso.** Ciò ridurrà il rischio di scossa elettrica o di danni al caricabatteria in caso di caduta di oggetti metallici nelle aperture. Eviterà anche danni al caricabatteria in caso di sovratensione.

NORME DI SICUREZZA RELATIVE AL CARICABATTERIA

⚠ ATTENZIONE! Questo apparecchio non deve essere usato da persone (bambini inclusi) con ridotte capacità fisiche, mentali o sensoriali o senza esperienza e conoscenza, a meno che non siano sorvegliate o siano state istruite sull'uso dell'apparecchio da una persona responsabile della loro sicurezza.

- **Prima di usare il caricabatteria,** leggere tutte le istruzioni e le avvertenze riportate in questo manuale e sul caricabatteria, sulla batteria e sul prodotto per evitare l'uso improprio dei prodotti e il rischio di lesioni o danni.
- **Non maneggiare il caricabatteria, inclusa la spina del caricabatteria, o i terminali del caricabatteria con le mani bagnate.**
- **Disporre il cavo di alimentazione in modo tale che non sia calpestabile e che non possa entrare in contatto con bordi affilati o parti in movimento o essere soggetto a usura o danneggiamenti, e accertarsi che le persone non possano inciamparvi.** Ciò ridurrà il rischio di cadute accidentali, che possono comportare lesioni personali e danni al cavo, e il conseguente rischio di scossa elettrica.

- **Rischio di scossa elettrica.** Non toccare la porzione non isolata del connettore di uscita o il terminale non isolato della batteria.
- **Conservare queste istruzioni.** Consultarle frequentemente e usarle per istruire gli altri operatori dell'apparecchio. Se si presta questo apparecchio ad altre persone, allegare anche queste istruzioni per evitare l'uso errato dell'apparecchio e il rischio di infortunio.

ISTRUZIONI DI SICUREZZA IMPORTANTI

- **Conservare queste istruzioni.** Questo manuale contiene importanti istruzioni di sicurezza e istruzioni per l'uso del caricabatteria rapido EGO 56V CHX5500E.
- **Prima di usare il caricabatteria, leggere tutte le istruzioni e le avvertenze riportate sul caricabatteria, sulla batteria e sul prodotto in cui è installata la batteria.**

SPECIFICHE TECNICHE

Alimentazione	220-240 V~50 Hz 550 W
Potenza in uscita	4/8 A 56 V
Tempo di ricarica	Ricarica di BAX1500 (1568 Wh): 3,5 ore (ricarica rapida) 7 ore (ricarica normale)
Temperatura di ricarica ottimale	5°C-40°C
Peso del caricabatteria	1.6 kg

DESCRIZIONE

DESCRIZIONE DEL CARICABATTERIA (Fig. A)

1. Cavo di alimentazione
2. Presa di uscita
3. Pulsante
4. Spia n. 1 (verde)
5. Spia n. 2 (verde)
6. Spia n. 3 (rosso)
7. Presa di ingresso
8. Foro di fissaggio a muro
9. Apertura di raffreddamento

FUNZIONAMENTO

COME RICARICARE IL GRUPPO BATTERIA

⚠ AVVERTENZA! Non usare il caricabatteria in ambienti esterni e non esporlo a condizioni bagnate o umide. L'infiltrazione di acqua all'interno del caricabatteria aumenta il rischio di scossa elettrica.

NOTA: I gruppi batteria agli ioni di litio sono consegnati parzialmente carichi. Prima di usarli per la prima volta, ricaricare completamente il gruppo batteria.

1. Inserire il cavo di alimentazione nella presa di ingresso (Fig. B).
2. Collegare il caricabatteria a una presa di corrente (220-240 V/50 Hz).
3. Inserire il connettore della batteria nel caricabatteria come illustrato in Fig. C e D.

4. Il caricabatteria comunicherà con il gruppo batteria per valutare le condizioni del gruppo batteria.
5. Quando il gruppo batteria è sotto carica normale, la spia verde n. 2 sul caricabatteria lampeggia. Per attivare la ricarica rapida, tenere premuto il pulsante verde per almeno 1 secondo; la spia verde n. 2 si spegnerà, e la spia verde n. 1 lampeggerà. La ventola del caricabatteria rimarrà in funzione continuamente per raffreddare il gruppo batteria.
6. Quando il gruppo batteria è completamente carico, le spie smetteranno di lampeggiare e rimarranno accese di verde. Attendere che la ventola di raffreddamento si arresti, rimuovere il gruppo batteria dal caricabatteria e scollegare il caricabatteria dalla presa di corrente.
7. Il gruppo batteria si ricaricherà completamente se viene lasciato sul caricabatteria, ma non subirà sovraccarichi.

NOTA:

- Se le 3 spie rimangono spente dopo aver collegato il caricabatteria alla rete elettrica come indicato al punto 1, consultare la sezione "GRUPPO BATTERIA O CARICABATTERIA DIFETTOSO".
- Una riduzione significativa dell'autonomia del gruppo batteria dopo averlo caricato completamente indica che le batterie sono quasi al termine della loro vita utile e devono essere sostituite.
- Il caricabatteria può diventare caldo durante la ricarica. Ciò è parte del normale funzionamento del caricabatteria. Effettuare la ricarica in un'area ben ventilata.

IT

SIGNIFICATO DELLE SPIE LUMINOSE

SIMBOLO DELLA SPIA	BATTERIA A ZAINO		SPIA SUL CARICABATTERIA			AZIONE
			SPIA N. 1 (VERDE)	SPIA N. 2 (VERDE)	SPIA N. 3 (ROSSO)	
	Difettoso		○	●		Il gruppo batteria o il caricabatteria è difettoso
	Surriscaldamento	Ricarica normale	○		●	La carica inizierà quando la temperatura del gruppo batteria tornerà alla temperatura normale.
		Ricarica rapida		○	●	La carica inizierà quando la temperatura del gruppo batteria tornerà alla temperatura normale.
	Ricarica normale		○		○	Ricarica a 4 A
	Ricarica rapida			○	○	Ricarica a 8 A.
	Completamente carica	Ricarica normale	○	●	○	Ricarica rapida
		La ricarica è completata.	●	○	○	La ricarica è completata.
—	Auto-ispezione riuscita		●	●	●	Il caricabatteria può essere usato per ricaricare la batteria

●: Accesa ○: Spenta : Lampeggiante

RICARICARE UN GRUPPO BATTERIA TROPPO CALDO/FREDDO

Se la temperatura del gruppo batteria è fuori dai valori ordinari, la spia n. 3 si illuminerà di rosso. Quando la temperatura del gruppo batteria scende a circa 57°C o sale oltre 3°C, il caricabatteria inizierà automaticamente la ricarica.

GRUPPO BATTERIA O CARICABATTERIA DIFETTOSO

Dopo averlo collegato alla rete elettrica, il caricabatteria inizierà immediatamente l'auto-ispezione.

1. Se l'auto-ispezione fallisce, tutte le spie rimarranno spente.

Attenzione! Provare a scollegare e ricollegare il cavo di alimentazione al caricabatteria e alla presa di corrente. Se le spie segnalano ancora la presenza di un problema, contattare il centro di assistenza EGO per la riparazione del caricabatteria.

2. Se il caricabatteria supera l'auto-ispezione, le 3 spie si accenderanno simultaneamente per 1 secondo; ciò significa che il caricabatteria può essere usato per ricaricare la batteria. Se il caricabatteria rileva un problema durante la ricarica, la spia 3 inizierà a lampeggiare di rosso o tutte le spie si spegneranno.
- In tal caso, rimuovere il gruppo batteria e reinserirlo nel caricabatteria. Se le spie segnalano ancora la presenza di un problema, provare a ricaricare un altro gruppo batteria.
 - Se l'altro gruppo batteria si ricarica normalmente, smaltire il gruppo batteria difettoso (fare riferimento alle istruzioni nel manuale del gruppo batteria).
 - Se anche l'altro gruppo batteria risulta "difettoso", ricollegare il caricabatteria alla presa di corrente finché la spia n. 3 non si spegne. Se tutte e 3 le spie rimangono spente o se la spia n. 3 lampeggia di rosso, il caricabatteria potrebbe essere difettoso.

AVVERTENZA! Non tentare di ricaricare un gruppo batteria se il caricabatteria lo segnala come difettoso per evitare il rischio di scossa elettrica o lesioni gravi.

FORI DI FISSAGGIO A MURO

Il caricabatteria è dotato di fori per fissarlo comodamente a una parete. Installare le viti nel muro, a 76 mm di distanza l'una dall'altra.

MANUTENZIONE

AVVERTENZA! Per evitare lesioni gravi, scollegare il gruppo batteria dal caricabatteria prima delle operazioni di pulizia o manutenzione.

AVVERTENZA! Per la riparazione, usare esclusivamente parti di ricambio EGO identiche. L'uso di altri ricambi comporta situazioni pericolose o il rischio di danni all'apparecchio.

AVVERTENZA! Si raccomanda di non usare aria compressa come metodo di pulizia del caricabatteria. Se la pulizia tramite aria compressa è l'unico metodo disponibile, indossare sempre occhiali di sicurezza con protezioni laterali durante la pulizia del caricabatteria. Se l'ambiente è polveroso, indossare anche una maschera antipolvere.

AVVERTENZA! Se il cavo di alimentazione è danneggiato, sostituirlo esclusivamente con un cavo di alimentazione identico. L'uso di un cavo di alimentazione non omologato comporta il rischio di scossa elettrica e infortuni.

MANUTENZIONE GENERALE

Evitare l'uso di solventi durante la pulizia delle parti in plastica. La maggior parte dei materiali plastici può essere danneggiata da diversi tipi di solventi in commercio. Usare un panno pulito per rimuovere sporcizia, polvere, olio, grasso, ecc.

AVVERTENZA! Impedire il contatto di liquido per freni, benzina, prodotti a base di petrolio, oli penetranti, ecc. con le parti in plastica. Le sostanze chimiche possono danneggiare, indebolire o distruggere la plastica, comportando il rischio di lesioni gravi.

AVVERTENZA! Per la riparazione, usare esclusivamente parti di ricambio EGO identiche. L'uso di altri ricambi comporta situazioni pericolose o il rischio di danni all'apparecchio. Per garantire sicurezza e affidabilità, tutte le riparazioni devono essere eseguite da un tecnico qualificato presso un centro di assistenza EGO.

Protezione dell'ambiente



Non smaltire gli apparecchi elettrici, caricabatteria e batterie/batterie ricaricabili insieme ai rifiuti indifferenziati!

Conformemente alle direttive europee 2012/19/EU e 2006/66/CE, i rifiuti di apparecchiature elettriche ed elettroniche, pile e accumulatori devono essere raccolti separatamente e smaltiti nel rispetto dell'ambiente.

Se gli apparecchi elettrici vengono smaltiti nelle discariche, le sostanze pericolose possono infiltrarsi nelle falde acquifere e contaminare la catena alimentare, con effetti dannosi sulla salute e il benessere.

RISOLUZIONE DEI PROBLEMI

PROBLEMA	CAUSA	SOLUZIONE
Il caricabatteria non funziona. La spia n.3 lampeggia di rosso o tutte le spie sono spente.	Il gruppo batteria o il caricabatteria è difettoso o la connessione tra il gruppo batteria e il caricabatteria è errata.	<ul style="list-style-type: none">■ Provare a rimuovere il gruppo batteria e reinserirlo nel caricabatteria.■ Provare a ricaricare un altro gruppo batteria.■ Scollegare il caricabatteria dalla presa di corrente e attendere che la spia rossa si spenga, quindi ricollegare la spina alla presa di corrente.
	Il caricabatteria è stato riaccesso troppo presto.	<ul style="list-style-type: none">■ Attendere 30 secondi dallo spegnimento di tutte le spie prima di collegare il caricabatteria alla presa di corrente.
Il caricabatteria non funziona e la spia n.3 è accesa di rosso.	Il gruppo batteria è troppo caldo o troppo freddo.	<ul style="list-style-type: none">■ Attendere che il gruppo batteria raggiunga la temperatura operativa. La carica inizierà quando la temperatura del gruppo batteria tornerà ai valori normali.

IT**GARANZIA****CONDIZIONI DELLA GARANZIA EGO**

Visitare il sito web egopowerplus.com per consultare le condizioni complete della garanzia EGO.

LEES ALLE INSTRUCTIES!



LEES DE GEBRUIKSAANWIJZING

Opmerking: Deze instructies zijn ook in een alternatief formaat verkrijgbaar, bijv. op een website.

⚠ Restrisico! Personen met elektronische apparaten, zoals pacemakers, moeten eerst hun arts(en) raadplegen voordat ze dit product mogen gebruiken. De werking van een elektrisch apparaat in de nabijheid van een pacemaker kan een storing of defect aan de pacemaker veroorzaken.

⚠ WAARSCHUWING: Laat alle reparaties uitvoeren door een vakbekwame reparateur om een continue veiligheid en betrouwbaarheid te waarborgen.

⚠ WAARSCHUWING: Dit apparaat kan gebruikt worden door personen van 8 jaar en ouder en personen met verminderde lichamelijke, zintuiglijke of geestelijke vermogens of gebrek aan ervaring en kennis als er toezicht is of als deze personen goed zijn voorgelicht over het veilige gebruik van het apparaat en de mogelijke gevaren ervan begrijpen. Laat kinderen niet met het apparaat spelen. Kinderen mogen het apparaat niet reinigen of onderhouden zonder toezicht.

VEILIGHEIDSSYMBOLEN

Het doel van de veiligheidssymbolen is om u te wijzen op mogelijke gevaren. Besteed daarom voldoende aandacht hieraan en begrijp de veiligheidssymbolen en bijbehorende uitleg. De symboolwaarschuwingen op zich elimineren geen enkel gevaar. De gegeven instructies en waarschuwingen gelden niet als vervanging voor gepaste voorzorgsmaatregelen tegen ongevallen.

⚠ WAARSCHUWING: Lees en begrijp alle veiligheidsinstructies die in deze gebruikershandleiding zijn vermeld, waaronder alle veiligheidssymbolen zoals "GEVAAR", "WAARSCHUWING", en "OPGELET" voordat u dit apparaat in gebruik neemt. Het negeren van onderstaande instructies kan leiden tot elektrische schokken, brand en/of ernstig persoonlijk letsel.

VEILIGHEIDSVOORSCHRIFTEN

Deze pagina toont en beschrijft alle veiligheidssymbolen die zich op dit product kunnen bevinden. Lees, begrijp en volg alle instructies op de machine voordat u deze in elkaar zet en gebruikt.

	Veiligheidswaarschuwing	Voorzorgsmaatregelen voor uw veiligheid
	Lees de gebruiksaanwijzing	De gebruiker moet de gebruiksaanwijzing lezen om het risico op letsel te beperken.
	Gebruik binnenshuis	Gebruik dit apparaat alleen binnenshuis
	Klasse II constructie	Dubbel geïsoleerde constructie
	Smeltpatronen	Miniatuur smeltpatroon met vertraging
	CE	Dit product is in overeenstemming met de EG-richtlijnen.
	UKCA	Dit product is in overeenstemming met de geldende wetgeving van het VK.
	WEEE	Gooi elektrisch afval niet via het huishoudelijk afval weg. Breng het naar een geautoriseerd recyclingbedrijf.
V	Volt	Spanning
A	Ampère	Stroom
Hz	Hertz	Frequentie (cycli per seconde)
W	Watt	Vermogen
min	Minuten	Tijd
	Wisselstroom	Stroomtype
	Gelijkstroom	Stroomtype of -karakteristiek

NL

⚠ WAARSCHUWING: Lees en begrijp alle instructies. Het negeren van onderstaande instructies kan leiden tot elektrische schokken, brand en/of ernstig persoonlijk letsel.

VEILIGHEID OP DE WERKPLAATS

- **Houd de werkplaats schoon en goed verlicht.** Rommelige of donkere ruimten kunnen ongevallen veroorzaken.
- **Gebruik de EGO lader niet in een explosieve omgeving, zoals in de aanwezigheid van ontvlambare vloeistoffen, gassen of stof.** Een lader kan vonken creëren. Deze kunnen stof of dampen ontsteken.

ELEKTRISCHE VEILIGHEID

- **Stel de lader niet bloot aan regen of natte omstandigheden.** Water dat de lader binnendringt, vergroot het risico op elektrische schokken.

- **Gebruik de kabel niet op een verkeerde manier.** Gebruik de kabel nooit om de lader te dragen of mee te trekken of om de stekker uit het stopcontact te halen. Houd de kabel uit de buurt van hitte, olie, scherpe randen en bewegende onderdelen. Beschadigde of verstrikte kabels vergroten het risico op elektrische schokken.
- De EGO lader is geschikt voor het laden van onderstaand vermelde EGO lithium-ion accupacks:

LADER	ACCUPACKS
CHX5500E	BAX1500

SERVICE

- **Laat uw lader repareren door een gekwalificeerd persoon en alleen met identieke reserveonderdelen.** Dit waarborgt de veiligheid van de lader.
- **Bij reparatie van de lader mogen uitsluitend identieke reserveonderdelen worden gebruikt. Volg de instructies in het hoofdstuk "Onderhoud" in deze handleiding.** Het gebruik van ongeoorloofde onderdelen of het negeren van de onderhoudsinstructies kan risico op schokken of letsel veroorzaken.

VEILIGHEIDSVOORSCHRIFTEN VOOR LADERS

⚠ OPGELET: Dit apparaat is niet bedoeld voor gebruikers (waaronder kinderen) met beperkte fysieke, visuele of mentale mogelijkheden, of die een gebrek hebben aan ervaring en kennis, tenzij ze supervisie of instructies hebben gekregen omtrent het gebruik van het apparaat door een persoon die verantwoordelijk is voor hun veiligheid.

- **Lees alle instructies en waarschuwingen in deze handleiding en op de acculader,** de accu en het product voordat u de acculader gebruikt, omdat verkeerd gebruik van de producten en mogelijk letsel of schade te voorkomen.
- **Raak de lader, inclusief de stekker of aansluitklemmen, niet met natte handen aan.**
- **Zorg dat de kabel op een dergelijke wijze wordt gelegd zodat niemand er op kan stappen of over kan struikelen, het niet met scherpe randen of bewegende onderdelen in aanraking komt of het niet onderhevig wordt gesteld aan schade of overmatige spanning.** Dit beperkt het risico op ongewenst vallen, wat tot persoonlijk letsel, schade aan de kabel en eventuele elektrische schokken kan leiden.

- **Houd de kabel en de lader uit de buurt van warmte om schade aan de behuizing of de interne componenten te voorkomen.**
- **Laat geen benzine, oliën of producten op basis van aardolie, etc. met de kunststof onderdelen in aanraking komen.** Deze materialen bevatten chemicaliën die het kunststof kunnen beschadigen, verzwakken of vernietigen.
- **Gebruik de lader niet met een beschadigde kabel of stekker, dit kan kortsluiting of elektrische schokken veroorzaken.** Laat de lader repareren of vervangen door een bekwaame reparateur van een EGO servicecentrum indien hij beschadigd is.
- **Demonteer de lader niet.** Breng de lader naar een bevoegde reparateur wanneer onderhoud of reparatie noodzakelijk is. Een verkeerde hernieuwde montage kan leiden tot gevaar op elektrische schokken of brand.
- **Haal de stekker uit het stopcontact alvorens de lader te onderhouden of te reinigen, dit beperkt het risico op elektrische schokken.**
- **Haal de stekker uit het stopcontact wanneer u de lader niet gebruikt.** Dit beperkt het risico op elektrische schokken of schade aan de laders in geval er metalen voorwerpen in de opening terechtkomen. Dit voorkomt tevens schade aan de lader bij een plotselinge piekspanning.
- **Risico op elektrische schokken.** Raak het niet geïsoleerd gedeelte van de uitgangsaansluiting of de niet geïsoleerde aansluitklem van de accu niet aan.
- **Bewaar deze gebruiksaanwijzing.** Raadpleeg de gebruiksaanwijzing indien nodig en gebruik deze om andere personen die dit apparaat zullen gebruiken te instrueren. Al u dit gereedschap aan iemand anders geeft, doe dan tevens deze gebruiksaanwijzing erbij om verkeerd gebruik en mogelijk letsel te voorkomen.

BELANGRIJKE VEILIGHEIDSinSTRUCTIES

- **Bewaar deze gebruiksaanwijzing.** Deze handleiding bevat belangrijke veiligheids- en gebruiksinstructies voor de 56V Snellader CHX5500E.
- **Voordat u de lader gebruikt, lees alle instructies en waarschuwingen op de acculader, accu en het product dat de accu gebruikt.**

SPECIFICATIES

Input lader	220-240 V~ 50 Hz 550 W
Output lader	4/8 A 56 V
Laadduur	Laden van BAX1500 (1568 Wh) : 3,5 h (snel laden) 7 h (normaal laden)
Optimale laad-temperatuur	5°C-40°C
Gewicht lader	1,6 kg

BESCHRIJVING

KEN UW LADER (Afb. A)

1. Stroomkabel
2. Output interface
3. Knop
4. 1# led (groen)
5. 2# led (groen)
6. 3# led (rood)
7. Input interface
8. Gat voor wandmontage
9. Ventilatieopening

GEBRUIK

HOE WORDT HET ACCUPACK GELADEN

⚠ WAARSCHUWING: Gebruik de lader niet buitenshuis of stel deze niet bloot aan natte of vochtige omstandigheden. Water dat de lader binnendringt, vergroot het risico op elektrische schokken.

OPMERKING: Lithium-ion accupacks worden reeds gedeeltelijk geladen geleverd. Laad het accupack volledig op voordat u het voor het eerst in gebruik neemt.

1. Sluit de aparte stroomkabel aan op de input interface (afb. B).
2. Sluit de lader aan op de netvoeding (220-240V/50Hz).
3. Plaats de accustekker in de lader zoals weergegeven in afb. C & D.
4. De lader communiceert met het accupack om de stand van het accupack te evalueren.

5. Als de accupack normaal wordt geladen, knippert de groene 2# LED op de lader. Als u de groene knop gedurende minstens 1 seconde ingedrukt houdt, gaat het normale laden over in het snelladen en gaat de groene 2# led uit en begint de groene 1# led met knipperen. De ventilator in de lader werkt continu om het accupack af te koelen.
6. Als de accupack volledig is geladen, stoppen de laadindicatie-led's met knipperen en branden ze continu groen. Wacht totdat de ventilator tot stilstand is gekomen voordat u het accupack uit de lader verwijderd en de stekker uit het stopcontact haalt.
7. Het accupack zal volledig worden geladen wanneer het met de lader verbonden blijft, maar zal niet overladen worden.

OPMERKING:

- Als de lader is aangesloten op de stroomvoorziening in stap 1, als de 3 led's nog steeds niet aangaan, kunt u een kijkje nemen in het hoofdstuk "**DEFECT ACCUPACK OF LADER**".
- Een aanzienlijk kortere werkingstijd nadat het accupack volledig is geladen geeft aan dat het accupack het einde van zijn levensduur heeft bereikt en vervangen moet worden.
- De lader kan tijdens het laden warm worden. Dit is normaal tijdens het gebruik van de lader. Laad in een goed geventileerde ruimte.

NL

LED-FUNCTIES VAN DE LADER

LED-INDI-CATIELAMPJE	ACCURUGZAK		LED OP DE LADER			ACTIE
			1# LED (GROEN)	2# LED (GROEN)	3# LED (ROOD)	
	Defect		○	●		Accupack of lader is defect
	Overtemperatuur	Normaal laden	○		●	Laden start wanneer het accupack weer de normale temperatuur heeft bereikt
		Snelladen		○	●	Laden start wanneer het accupack weer de normale temperatuur heeft bereikt
	Normaal laden		○		○	4A laden
	Snelladen			○	○	8A laden
	Volledig opgeladen	Normaal laden	○	●	○	Laden is afgesloten
		Snelladen	●	○	○	Laden is afgesloten
—	Succesvolle zelfstandige controle		●	●	●	De lader kan worden gebruikt voor het laden van de accu

●: Aan ○: Uit : Knipperend

EEN WARM OF KOUD ACCUPACK LADEN

Als het accupack zich buiten het normaal temperatuurbereik bevindt, brandt 3# led rood. Als het accupack afkoelt tot circa 57°C of opwarmt tot meer dan 3°C begint de lader automatisch met laden.

DEFECT ACCUPACK OF LADER

Zodra de lader wordt aangesloten op de stroomvoorziening, start de lader direct met een zelfstandige inspectie.

- Als de zelfstandige inspectie een fout ontdekt, zullen alle led's noch knipperen, noch branden.

Opmerking: Probeer de stroomkabel na elkaar opnieuw aan te sluiten op de lader en de stroomvoorziening. Als de led's ook de tweede keer een "storing" weergeven, kunt u voor de reparatie van uw lader contact opnemen met de EGO klantenservice.

- Als de lader slaagt voor de test, branden de 3 led's 1 seconde lang gelijktijdig, wat betekent dat de lader kan worden gebruikt voor het laden van het accupack. Als de lader tijdens het laden een probleem detecteert, begint 3# led rood te knipperen of gaan alle led's uit.

- Als een defect wordt geregistreerd, verwijder dan de stekker van het accupack en sluit hem vervolgens weer aan op de lader. Als de led's een tweede keer "defect" aangeven, probeer dan een ander accupack te laden.
- Als het andere accupack normaal laadt, voer het defecte accupack dan af (zie de instructies in de handleiding van het accupack).
- Als een ander accupack ook als "defect" wordt herkend, dient u de lader opnieuw op de stroomvoorziening aan te sluiten totdat de rode 3# led uit gaat. Als alle 3 led's nog altijd uit blijven of 3# led rood knippert, kan de lader defect zijn.

WAARSCHUWING: Het is niet raadzaam om te pogen te laden terwijl de lader als defect werd aangegeven. Dit kan een elektrische schok of ernstig letsel tot gevolg hebben.

GATEN VOOR WANDMONTAGE

De lader is voorzien van hanggaten voor een eenvoudige opslag. Bevestig de schroeven in de wand op 76mm van elkaar.

ONDERHOUD

⚠ WAARSCHUWING: Om ernstig persoonlijk letsel te voorkomen dient u het accupack voor de reiniging of het onderhoud altijd los te koppelen van de lader.

⚠ WAARSCHUWING: In geval van een reparatie mag u uitsluitend identieke EGO reserveonderdelen gebruiken. Het gebruik van andere onderdelen kan gevaar opleveren of schade aan het product veroorzaken.

⚠ WAARSCHUWING: Het wordt niet aanbevolen om perslucht te gebruiken om de lader te reinigen. Als het reinigen met perslucht echter de enige mogelijke manier is, draag dan altijd een veiligheidsbril met zijdelingse schermen als de lader wordt gereinigd. Als deze handeling stof met zich meebrengt, dient u tevens een stofmasker te dragen.

⚠ WAARSCHUWING: Als de stroomkabel is beschadigd, mag u alleen een identieke stroomkabel gebruiken. Het gebruik van een ongeoorloofde stroomkabel kan risico op een schok of letsel veroorzaken.

ALGEMEEN ONDERHOUD

Maak de kunststof onderdelen niet schoon met oplosmiddelen. De meeste kunststoffen kunnen worden beschadigd wanneer ze in contact komen met commerciële oplosmiddelen. Gebruik een schone doek voor het verwijderen van vuil, stof, olie, vet, etc.

⚠ WAARSCHUWING: Zorg dat remvloeistoffen, benzine, producten op basis van aardolie, oliën, etc. op geen enkel moment met de kunststof onderdelen in aanraking komen. Chemicaliën kunnen de kunststof onderdelen beschadigen, verzwakken of vernietigen en ernstig persoonlijk letsel veroorzaken.

⚠ WAARSCHUWING: In geval van een reparatie mag u uitsluitend identieke EGO reserveonderdelen gebruiken. Het gebruik van andere onderdelen kan gevaar opleveren of schade aan het product veroorzaken. Om een continue veiligheid en betrouwbaarheid te waarborgen, laat alle reparaties uitvoeren door een bekwame reparateur in een EGO servicecentrum.

Het milieu beschermen



Gooi geen elektrische apparaten, acculaders en accu's/oplaadbare batterijen met het huisafval weg!

Elektrische en elektronische apparaten, in overeenstemming met de Europese wet 2012/19/EG, en defecte of verbruikte accupacks/batterijen, in overeenstemming met 2006/66/EG, moeten afzonderlijk worden ingezameld.

Als elektrische apparaten op een vuilstort of vuilnisbelt terechtkomen, kunnen gevaarlijke stoffen in het grondwater lekken en in de voedselketen komen wat schadelijk is voor uw gezondheid en welzijn.

NL

PROBLEEMOPLOSSING

PROBLEEM	OORZAAK	OPLOSSING
De lader werkt niet. 3# led knippert rood of alle led's gaan uit	Accupack of lader is defect of er is sprake van een slechte verbinding tussen het accupack en de lader.	<ul style="list-style-type: none">■ Verwijder het accupack uit de lader en plaats vervolgens terug.■ Laad een andere accupack.■ Ontkoppel de lader en wacht totdat de rode led uit gaat, steek de stekker vervolgens opnieuw in een stopcontact.
	De lader wordt te vaak aan- en uitgeschakeld	<ul style="list-style-type: none">■ Sluit de lader aan op de stroomvoorziening na 30 seconden dat alle led's zijn uitgegaan.
De lader werkt niet en de 3# led brandt rood.	Accupack is te warm of te koud.	<ul style="list-style-type: none">■ Laat het accupack op normale temperatuur komen. Laden start wanneer het accupack weer de normale temperatuur heeft bereikt.

NL

GARANTIE

EGO GARANTIEBELEID

Bezoek alstublieft de website egopowerplus.com voor de volledige voorwaarden van het EGO garantiebeleid.

LÆS ALLE ANVISNINGER!



LÆS BRUGANVISNING

Bemærk: Disse anvisninger skal også være tilgængelige i et alternativt format, f.eks. på et websted.

⚠ Særlig risiko! Folk med elektroniske anordninger, såsom pacemakere, bør spørge deres læge(r) til råds, før de bruger dette produkt. Betjening af elektrisk udstyr i umiddelbar nærhed af en pacemaker kan forårsage forstyrrelser eller svigt af pacemakeren.

⚠ ADVARSEL: For at sikre sikkerhed og pålidelighed skal alle reparationer udføres af en kvalificeret servicetekniker.

⚠ ADVARSEL: Dette apparat kan bruges af børn i alderen fra 8 år og derover og personer med nedsatte fysiske, sensoriske eller mentale evner eller manglende erfaring og viden, hvis de er blevet vejledt eller instrueret i brugen af apparatet på en sikker måde og forstår farerne forbundet hermed. Børn må ikke lege med apparatet. Rengøring og brugervedligeholdelse må ikke foretages af børn uden opsyn.

SIKKERHEDSSYMBOLER

Formålet med sikkerhedssymboler er at gøre dig opmærksom på mulige farer. Du bør være meget opmærksom på sikkerhedssymbolerne og forklaringerne til dem og lære at forstå dem. Symbolernes advarsler fjerner ikke i sig selv eventuelle farer. Anvisningerne og advarselserne er ingen erstatning for korrekte forebyggelsesforanstaltninger mod ulykker.

⚠ ADVARSEL: Sørg for at læse og forstå alle sikkerhedsanvisninger i denne brugsanvisning, inklusive alle sikkerhedssymboler, såsom "FARE", "ADVARSEL" og "FORSIGTIG", før du bruger dette værktøj. Hvis instruktionerne nedenfor ikke følges, kan det føre til elektrisk stød, brand og/eller alvorlig personskade.

SIKKERHEDSANVISNINGER

Denne side viser og beskriver sikkerhedssymboler, der kan forekomme på dette produkt. Læs, forstå, og følg alle anvisninger på apparatet, før du forsøger at samle og betjene det.

	Sikkerhedsvarsel	Forholdsregler omkring din sikkerhed
	Læs brugsanvisningen	For at mindske risikoen for skader skal brugeren læse brugsanvisningen.
	Indendørs brug	Brug kun denne enhed indendørs
	Klasse II-konstruktion	Dobbeltisoleret konstruktion
T6,3A 	Sikringsindsatser	Mini-sikringsindsats med forsikelse
	Det Eu-ropæiske Fællesskab	Dette produkt er i overensstemmelse med gældende EU-direktiver.
	UKCA	Dette produkt overholder gældende britisk lovgivning.
	WEEE	Affald fra elektriske pro-dukter bør ikke bortskaffes sammen med husholdningsaffald. Bring det til en godkendt genbrugsplads.
V	Volt	Spænding
A	Ampere	Strøm
Hz	Hertz	Frekvens (cyklusser pr. sekund)
W	Watt	Effekt
min	Minutter	Tid
	Vekse-istrøm	Type spænding
	Jævnstrøm	Type af eller egenskab for strøm

DK

⚠ ADVARSEL: Læs og forstå alle anvisninger. Hvis du ikke følger alle anvisninger, der er anført nedenfor, kan det medføre elektrisk stød, brand og/eller alvorlig personskade.

SIKKERHED I ARBEJDSOMRÅDET

- **Hold arbejdsområdet rent og godt oplyst** Rodede eller uoplyste arbejdsområder inviterer til ulykker.
- **Brug ikke EGO-opladeren i eksplosive miljøer, såsom ved tilstedeværelse af brændbare væsker, gasser eller støv.** En oplader kan skabe en gnist, som kan antænde støv eller dampe.

ELEKTRISK SIKKERHED

- **Udsæt ikke opladeren for regn eller våde forhold.** Vand i opladeren øger risikoen for elektrisk stød.

- **Ledningen må ikke mishandles.** Brug aldrig ledningen til at bære eller trække opladeren eller trække stikket ud. Hold ledningen væk fra varme, olie, skarpe kanter eller bevægelige dele. Beskadede eller sammenfiltrede ledninger øger risikoen for elektrisk stød.
- EGO-opladeren kan oplade de EGO-lithium-ion-batterier, der er anført nedenfor:

OPLADER	BATTERIPAKKER
CHX5500E	BAX1500

DK

SERVICE

- **Få din oplader serviceret af en kvalificeret tekniker, og brug kun originale reservedele.** Dette vil sikre, at opladeren fortsat er sikker.
- **Ved service af en oplader må der kun bruges originale reservedele. Følg anvisningerne i afsnittet i denne manual om Vedligeholdelse.** Anvendelse af uautoriserede dele eller manglende overholdelse af vedligeholdelsesanvisningen kan give risiko for stød eller personskade.

SIKKERHEDSREGLER FOR OPLADER

⚠ FORSIGTIG: Dette apparat er ikke beregnet til brug af personer (herunder børn) med nedsat fysisk, sensorisk eller psykisk funktionsevne, eller manglende erfaring og viden, medmindre de er blevet vejledt eller instrueret i brugen af apparatet af en person med ansvar for deres sikkerhed.

- **Før du bruger batteriopladeren,** skal du læse alle anvisninger og advarselsmarkeringer i denne brugsanvisning og på batteriopladeren, batteriet og produktet for at forhindre fejlbrug af produkter og mulige skader.
- **Benyt ikke opladeren, herunder opladerens stik og opladerens poler med våde hænder.**
- **Sørg for, at ledningen er placeret således, at man ikke træder på den, falder over den, og at den går hen over skarpe kanter eller bevægelige dele, eller på anden måde udsættes for skade eller belastning.** Dette vil reducere risikoen for faldulykker, som kan forårsage personskader og skader på ledningen, som derefter kan resultere i elektrisk stød.

- **Hold ledningen og opladeren fra varme for at forhindre skader på hus eller indvendige dele.**
- **Lad ikke benzin, olier, oliebaseerede produkter, osv. komme i kontakt med plastdele.** Disse materialer indeholder kemikalier, der kan skade, svække eller ødelægge plast.
- **Brug ikke opladeren med beskadiget ledning eller stik, da det kan forårsage kortslutning og elektrisk stød.** Få opladeren repareret eller udskiftet på et EGO-servicecenter, hvis den er beskadiget.
- **Skil ikke opladeren ad.** Bring den til en autoriseret servicetekniker, når service eller reparation er påkrævet. Hvis den samles forkert, kan det give risiko for elektrisk stød eller brand.
- **Tag opladeren ud af stikkontakten, før du forsøger at udføre vedligeholdelse eller rengøring, for at reducere risikoen for elektrisk stød.**
- **Afbryd opladeren ved strømforsyningen, når den ikke er i brug.** Dette vil mindske risikoen for elektrisk stød eller beskadigelse af opladeren, hvis metalgenstande skulle falde ind i åbningen. Det vil også hjælpe med at forhindre skader på opladeren under et strømstød.
- **Risiko for elektrisk stød.** Rør ikke ved den uisolerede del af udgangsstik eller uisolerede batteripol.
- **Gem disse anvisninger.** Brug dem ofte, og brug dem til at instruere andre, der skal bruge dette værktøj. Hvis du låner nogen dette værktøj, så lad dem få anvisningerne med, så de også undgår fejlbrug af produktet og mulig personskade.

VIGTIGE SIKKERHEDSANVISNINGER

- **Gem disse anvisninger.** Denne vejledning indeholder vigtige sikkerheds- og betjeningsvejledninger til 56V Hurtigoplader CHX5500E.
- **Før du bruger batteriopladeren, skal du læse alle instruktioner og advarende markeringer på batteriopladeren, batteriet og produktet, som batteriet bruges til.**

SPECIFIKATIONER

Opladerens indgang	220-240 V~ 50 Hz 550 W
Opladerens udgang	4/8 A 56 V
Opladningstid	Opladning BAX1500 (1568 Wh) : 3,5 timer (hurtigopladning) 7 timer (normal opladning)
Optimal opladningstemperatur	5°C-40°C
Opladerens vægt	1,6 kg

BESKRIVELSE

KEND DIN OPLADER (Fig. A)

1. Elledning
2. Udgangsstik
3. Knap
4. LED nr. 1 (grøn)
5. LED nr. 2 (grøn)
6. LED nr. 3 (rød)
7. Indgangsstik
8. Hul til opsætning på væg
9. Port til køleluft

DRIFT

SÅDAN OPLADES BATTERIPAKKEN

ADVARSEL: Brug ikke opladeren udendørs, og udsæt den heller ikke for våde eller fugtige betingelser. Vand i opladeren øger risikoen for elektrisk stød.

BEMÆRK: Lithium-Ion-batteripakker forsendes delvist opladede. Før du bruger den første gang, skal du oplade batteripakken helt.

1. Indsæt det separate strømkabel i indgangsstikket (fig. B).
2. Slut opladeren til strømforsyningen (220-240V/50Hz).
3. Sæt batteristikket i opladeren som vist på fig. C og D.
4. Opladeren vil kommunikere med batteripakken for at vurdere af batteripakkens tilstand.

5. Når batteripakken lades normalt, blinker den grønne LED nr. 2 på opladeren. Hvis du holder den grønne knap nede i mindst 1 sek., skiftes der fra normal opladning til hurtigopladning, og den grønne LED nr. 2 slukker og den grønne LED nr. 1 blinker. Ventilatoren i opladeren arbejder hele tiden for at afkøle batteripakken.
6. Når batteripakken er fuldt opladet, vil LED'erne, der viser opladningsstatus, med at blinke og vil skinne kontinuerligt grønt. Vent, indtil køleventilatoren stopper, fjern batteripakken fra opladeren, og frakobl opladeren fra strømforsyningen.
7. Batteripakken vil lade helt op, hvis den forbliver på opladeren, men den vil ikke bliver overopladet.

DK

BEMÆRK:

- Hvis de 3 LED'er forbliver slukket, når laderen er tilsluttet en strømforsyning i trin 1, henvises til afsnittet "DEFEKT BATTERIPAKKE ELLER OPLADER".
- Hvis driftstiden er faldet betydeligt efter fuld opladning af batteripakken, viser det, at batterierne er ved udløbet af deres anvendelsestid og skal udskiftes.
- Opladeren kan blive varm under opladningen. Dette er en del af opladerens normale drift. Oplad i et godt ventileret område.

OPLADERENS LED-FUNKTIONER

LED-INDIKATOR	RYGS/ÆKBATTERI		LED PÅ OPLADEREN			HANDLING
			LED NR. 1 (GRØN)	LED NR. 2 (GRØN)	LED NR. 3 (RØD)	
	Defekt		○	●		Batteripakke eller oplader er defekt
	Overophedning	Normal opladning	○		●	Opladningen begynder, når batteripakken vender tilbage til normal temperatur
		Hurtigopladning		○	●	Opladningen begynder, når batteripakken vender tilbage til normal temperatur
	Normal opladning		○		○	4A-Opladning
	Hurtigopladning			○	○	8A-Opladning
	Fuldt opladet	Normal opladning	○	●	○	Opladningen er færdig
		Hurtigopladning	●	○	○	Opladningen er færdig
—	Udført selvinspektion		●	●	●	Opladeren kan bruges til opladning af batteriet

●: Tændt ○: Slukket : Blinker

OPLADNING AF EN VARM ELLER KOLD BATTERIPAKKE

Hvis batteripakken er ude af det normale temperaturområde, vil LED nr. 3 lyse rødt. Når batteriet er kølet ned til ca. 57 °C eller bliver mere end 3 °C varm, vil opladeren automatisk starte opladningen.

DEFEKT BATTERIPAKKE ELLER OPLADER

Når opladeren er tilsluttet en strømforsyning, begynder opladeren straks sin selvinspektion.

1. Hvis selvinspektionen konstaterer en fejl, vil ikke alle LED'erne blinke eller lyse.

Bemærk: Prøv først at sætte elledningen i opladeren igen og derefter i strømforsyningen. Hvis LED'erne viser "fejl" igen, skal du kontakte EGO-centeret for at få din oplader repareret.

2. Hvis selvinspektionen af opladeren er i orden lyser 3 LED'er samtidigt i 1 sek., hvilket betyder at opladeren kan bruges til at oplade batteriet. Hvis opladeren registrerer et problem under opladningen, vil LED nr. 3 begynde at blinke rødt, eller LED'erne vil slukke.

- Hvis den registrerer en defekt, tages batteripakkens stik ud og sættes i igen. Hvis LED'erne viser "defekt" igen, så prøv at oplade en anden batteripakke.
- Hvis en anden batteripakke lader normalt, skal den defekte batteripakke bortskaffes (se instruktionerne i vejledningen til batteripakken).
- Hvis en anden batteripakke også viser "defekt", så sluttes opladeren til strømforsyningen igen, indtil den røde LED nr. 3 slukker. Hvis alle 3 LED'er stadig er slukkede, eller hvis LED nr. 3 blinker rødt, kan opladeren være defekt.

⚠ ADVARSEL: Det frarådes at forsøge at oplade, når det fremgår, at opladeren er defekt, da det kan forårsage elektrisk stød eller alvorlig personskade.

HULLER TIL MONTERING PÅ VÆG

Opladeren har huller ophængning, så den er praktisk at opbevare. Sæt skruerne i væggen med en afstand på 76 mm.

VEDLIGEHOLDELSE

⚠ ADVARSEL: For at undgå alvorlig personskade skal man altid afbryde forbindelsen mellem batteripakken og opladeren ved rengøring og al vedligeholdelse.

⚠ ADVARSEL: Ved service må der kun bruges originale reservedele fra EGO. Brug af andre reservedele kan medføre fare eller forårsage skader på produktet.

⚠ ADVARSEL: Det anbefales ikke at bruge komprimeret tør luft til at rengøre opladeren med. Hvis rengøring med trykluft er den eneste anvendelige metode, så bær altid beskyttelsesbriller eller sikkerhedsbriller med sidebeskyttelse ved rengøring af opladeren. Hvis arbejdet er støvet, bæres også støvmaske.

⚠ ADVARSEL: Hvis elledningen er beskadiget, må du kun bruge en tilsvarende elledning. Anvendelse af en ikke-godkendt elledning kan give risiko for elektrisk stød eller personskade.

ALMINDELIG VEDLIGEHOLDELSE

Undgå at bruge opløsningsmidler ved rengøring af plastdele. De fleste plastmaterialer risikerer at blive ødelagt ved brug af forskellige typer af alment tilgængelige opløsningsmidler. Brug rene klude til at fjerne snavs, støv, olie, fedt etc.

⚠ ADVARSEL: Lad aldrig bremsevæske, benzin, oliebaserede produkter, indtrængende olier osv. komme i kontakt med dele af plastic. Kemikalier kan beskadige, svække og ødelægge plastic, hvilket kan føre til alvorlige personskader.

⚠ ADVARSEL: Ved service må der kun bruges originale reservedele fra EGO. Brug af andre reservedele kan medføre fare eller forårsage skader på produktet. For at sikre sikkerhed og pålidelighed, bør alle reparationer udføres af en kvalificeret servicetekniker på et EGO-servicecenter.

Beskyttelse af miljøet



Smid ikke elektrisk udstyr, batterioplader og batterier / genopladelige batterier i skraldespanden!

Ifølge EU-direktiv 2012/19/EU og EU-direktiv 2006/66/EF skal henholdsvis elektrisk og elektronisk udstyr, der ikke længere er brugbart, og defekte eller brugte batterier / batteripakker indsamles særskilt.

Hvis elektriske apparater smides på lossepladsen eller affaldsdeponier, kan der sive giftige stoffer ned i grundvandet og komme ud i fødekæden og gøre skade på menneskers sundhed og velfærd.

DK

FEJLFINDING

PPROBLEM	ÅRSAG	LØSNING
Oplader virker ikke. LED nr. 1 blinker rødt, eller alle LED'er går ud.	Batteripakke eller oplader er defekt, eller der er dårlig forbindelse mellem batteripakke og oplader.	<ul style="list-style-type: none">■ Prøv at fjerne og genindsætte batteripakken i opladeren.■ Prøv at oplade en anden batteripakke.■ Tag opladerens stik ud, og vent, indtil den røde LED går ud, sæt derefter stikket i stikkontakten.
	Tændt og slukket oplade- ren for ofte	<ul style="list-style-type: none">■ Slut opladeren til strømforsyningen 30 sek. efter, at alle LED'erne er slukket.
Oplader virker ikke, og LED nr. 3 lyser rødt.	Batteripakken er for varm eller for kold.	<ul style="list-style-type: none">■ Lad batteriet opnå normal temperatur. Opladning begynder, når batteripakken vender tilbage til normal temperatur

DK

GARANTI

EGO's GARANTIPOLITIK

Besøg venligst hjemmesiden egopowerplus.com for fuldstændige vilkår og betingelser for EGO's garantipolitik.

LÄS IGENOM ALLA INSTRUKTIONER!



LÄS IGENOM BRUKSANVISNINGEN

Obs! Dessa instruktioner skall även vara tillgängliga i ett alternativt format, t.ex. på en webbplats.

⚠ Kvarstående risker! Personer med elektroniska enheter som t.ex. pacemakers, bör rådgöra med sin läkare innan denna produkt används. Användning av elektronisk utrustning i närheten av en pacemaker kan orsaka störningar eller fel på pacemakern.

⚠ WARNING! För att garantera en säker och pålitlig användning måste alla reparationer utföras av en kvalificerad servicetekniker.

⚠ WARNING! Denna apparat kan användas av barn från 8 år och uppåt och av personer med nedsatt fysisk, sensorisk eller mental förmåga, eller av personer som saknar erfarenhet och kunskap under förutsättningen att de övervakas eller mottagit instruktioner för säker användning av apparaten och är medvetna om riskerna. Barn får inte leka med apparaten. Rengöring och underhåll får inte utföras av barn utan tillsyn.

SÄKERHETSSYMBOLER

Syftet med säkerhetssymbolerna är att dra till sig uppmärksamhet angående eventuella faror. Säkerhetssymbolerna och dess förklaringar kräver din uppmärksamhet och förståelse. Symbolvarningarna i sig eliminerar inga varningar. Instruktionerna och varningarna som de indikerar är ingen ersättning för korrekt förhindrande av olyckor.

⚠ WARNING! Var noga med att läsa och förstå alla säkerhetsinstruktioner i denna bruksanvisning, inklusive alla varningssymboler som t.ex. "FARA!", "WARNING!" och "FÖRSIKTIGHET!" innan du använder detta verktyg. Underlåtenhet att följa alla instruktioner som listas nedan kan resultera i elektriska stötar, brand och/eller allvarliga personskador.

SÄKERHETSINSTRUKTIONER

Denna sida visar och beskriver säkerhetssymboler som kan indikeras på den här produkten. Läs, förstå och följ alla instruktioner på maskinen innan den monteras och användas.

	Säkerhetsvarning	Försiktighetsåtgärder som berör din säkerhet
	Läs igenom bruksanvisningen	För att minska risken för personskador måste användaren läsa igenom bruksanvisningen.
	Inomhusbruk	Använd endast denna enhet inomhus
	Konstruktion av klass II	Konstruktion med dubbel isolering
T6,3A 	Säkringslänkar	Miniatur säkringslänk med tidsfördröjning
	CE	Denna produkt är i enlighet med gällande EC-direktiv.
	UKCA	Denna produkt uppfyller tillämplig lagstiftning i Storbritannien.
	WEEE	Förbrukade elektriska produkter får inte kastas i hushållsoporna. Lämnas in dem till en auktoriserad återvinningsstation.
V	Volt	Spänning
A	Ampere	Ström
Hz	Hertz	Frekvens (cykler per sekund)
W	Watt	Effekt
min	Minuter	Tid
	Växelström	Strömtyp
	Likström	Strömtyp eller -specifikation

SE

⚠ WARNING! Läs igenom och förstå alla instruktioner. Underlåtenhet att följa alla instruktioner som listas nedan kan resultera i elektriska stötar, brand och/eller allvarliga personskador.

SÄKERHET I ARBETSOMRÅDET

- **Håll arbetsområdet rent och väl upplyst.**
Oordnade eller mörka områden kan orsaka olyckor.
- **Använd inte EGO-laddaren i explosiva miljöer som t.ex. i närvaron av brandfarliga vätskor, gaser eller damm.** En laddare kan bilda en gnista, som kan antända damm eller ångor.

ELEKTRISK SÄKERHET

- **Utsätt inte laddaren för regn eller våta förhållanden.** Om vatten tränger in i laddaren ökar risken för elektriska stötar.

- **Hantera inte kabeln vårdslöst.** Använd aldrig kabeln för att bära, släpa eller dra ut laddaren. Håll kabeln borta från värme, olja, skarpa kanter eller rörliga delar. Skadade eller ihoptrasslade kablar ökar risken för elektriska stötar.
- EGO-laddaren kan ladda de EGO lithium-ion-batteripack som listas nedan:

LADDARE	BATTERIPACK
CHX5500E	BAX1500

SERVICE

SE

- **Lämna in din laddare för service hos en kvalificerad servicetekniker som endast använder identiska utbytesdelar.** Det säkerställer att laddarens skick underhålls.
- **Vid service av laddaren, används endast identiska utbytesdelar.** Följ instruktionerna i avsnittet "Underhållning" i denna bruksanvisning. Användning av otillåtna delar eller underlåtenhet att följa underhållsinstruktioner kan orsaka elektriska stötar eller personskador.

SÄKERHETSREGLER FÖR LADDAREN

⚠ FÖRSIKTIGHET! Denna apparat är inte avsedd för personer (inklusive barn) med nedsatt fysisk, sensorisk eller mental förmåga, eller av personer som saknar erfarenhet och kunskap såvida de inte övervakas eller mottagit instruktioner för användning av en person som är ansvarig för deras säkerhet.

- **Innan batteriladdaren används, läs igenom** alla instruktioner och varningsmarkeringar i denna bruksanvisning och på batteriladdaren, batteriet och produkten för att förhindra felaktig användning av produkten och eventuell skada på person eller egendom.
- **Hantera inte laddaren, inklusive dess stickkontakt och batterikontakter med våta händer.**
- **Se till att kabeln är placerad så att ingen trampar eller snubblar på den, inte kommer i kontakt med skarpa kanter eller rörliga delar, eller på något sätt utsätts för skada eller slitage.** Detta minskar risken för att enheten oavsiktligt rivs ner, vilket kan orsaka skada på person och kabel, vilket i sin tur kan leda till elektriska stötar.
- **Håll kabeln och laddaren borta från värme för att förhindra skador på höljet eller de interna delarna.**

- **Låt inte bensin, oljor eller petroleumbaserade produkter osv. komma i kontakt med plastdelarna.** Dessa material innehåller kemikalier som kan skada, försvaga eller förstöra plast.
- **Använd inte laddaren med en skadad kabel eller stickkontakt. Det kan orsaka kortslutning och elektriska stötar.** Om skadad, låt en auktoriserad servicetekniker på ett EGO-servicecenter reparera eller byta ut den.
- **Montera inte isär laddaren.** Lämna in den till en auktoriserad servicetekniker när service eller reparation krävs. En felaktig montering kan leda till risk för elektriska stötar eller brand.
- **Dra ut laddaren ur eluttaget innan underhållning eller rengöring utförs för att minska risken för elektriska stötar.**
- **Koppla ur laddaren från eluttaget när enheten inte används.** Detta minskar risken för elektriska stötar eller skada på laddaren om metallobjekt faller ner i öppningen. Det hjälper även till att förhindra skada på laddaren vid strömavbrott.
- **Risk för elektriska stötar.** Vidrör inte de isolerade delarna av utgångsanslutningen eller isolerade batterikontakter.
- **Spara dessa instruktioner.** Hänvisa till dem regelbundet och använd dem även för att instruera andra hur man använder detta verktyg. Om du lånar ut detta verktyg till någon, se även till att låna ut dessa instruktioner för att förhindra att produkten används felaktigt eller orsakar eventuella personskador.

VIKTIGA SÄKERHETSINSTRUKTIONER

- **Spara dessa instruktioner.** Bruksanvisningen innehåller viktiga instruktioner om säkerhet och användning av EGO 56V snabbbladdare CHX5500E.
- **Innan batteriladdaren används, läs igenom alla instruktioner och varningsmarkeringar på batteriladdaren, batteriet och produkten som använder batteriet.**

SPECIFIKATIONER

Laddare ineffekt	220-240 V~ 50 Hz 550 W
Laddare uteffekt	4/8 A 56 V
Laddningstid	Laddning av BAX1500 (1568 Wh): 3,5 timmar (snabbladdning) 7 timmar (normal laddning)
Optimal laddningstemperatur	5°C-40°C
Laddarens vikt	1,6 kg

BESKRIVNING

LÄRA KÄNNA DIN LADDARE (Bild A)

1. Strömkabel
2. Gränssnitt för utgång
3. Knapp
4. 1# LED-lampa (grön)
5. 2# LED-lampa (grön)
6. 3# LED-lampa (röd)
7. Gränssnitt för ingång
8. Hål för väggmontering
9. Kylningsport

ANVÄNDNING

HUR MAN LADDAR BATTERIPACKET

⚠ VARNING! Använd inte laddaren utomhus och utsätt den inte för våta eller fuktiga förhållanden. Om vatten tränger in i laddaren ökar risken för elektriska stötar.

OBS! Lithium-ion-batteripacken levereras delvis laddade. Innan det används för första gången, ladda batteripacket fullt.

1. Anslut den separata störmkabeln till ingångens gränssnitt (bild B).
2. Anslut laddaren till ett eluttag (220-240 V/50 Hz).
3. Anslut batterikontakten till laddaren enligt bild C och D.
4. Laddaren kommer att kommunicera med batteripacket för att utvärdera batteripackets status.

5. När batteripacket laddas normalt blinkar den gröna 2# LED-lampan på laddaren. Om den gröna knappen trycks in i minst 1 sekund ändras den normala laddningen till snabbladdning och den gröna 2# LED-lampan slocknar och den gröna 1# LED-lampan börjar blinka. Laddarfläkten arbetar kontinuerligt för att kyla ner batteripacket.
6. När batteripacket är fulladdat slutar LED-indikatorn att blinka och lyser istället kontinuerligt grön. Vänta tills kylfläktarna stannat, ta ut batteripacket från laddaren och koppla ur laddaren från eluttaget.
7. Batteripacket laddas fullt om den lämnas i laddaren. Det kommer inte att överladdas.

OBS!

- Med laddaren ansluten till ett eluttag i steg 1, om de 3 LED-lamporna ännu inte lyser, se avsnittet "DEFEKT BATTERIPACK ELLER LADDARE".
- En avsevärt minskad drifttid efter en full batteriladdning indikerar att batteripacket är nära slutet av sin livslängd och måste bytas ut.
- Laddaren kan bli varm under laddningen. Detta är normalt under laddningen. Ladda på ett område med god ventilation.

SE

LADDARENS LED-FUNKTIONER

LED-INDIKATOR	RYGGSÄCKSBATTERI		LED-LAMPOR PÅ LADDAREN			ÅTGÄRD
			1# LED-lampa (grön)	2# LED-lampa (grön)	3# LED-lampa (röd)	
	Defekt		○	●		Batteripacket eller laddaren är defekt
	Övertemperatur	Normal laddning	○		●	Laddningen påbörjas när batteripacket återgår till normal temperatur.
		Snabbladdning		○	●	Laddningen påbörjas när batteripacket återgår till normal temperatur.
	Normal laddning		○		○	4 A laddning
	Snabbladdning			○	○	8 A laddning
	Fulladdat	Normal laddning	○	●	○	Laddningen är klar
		Snabbladdning	●	○	○	Laddningen är klar
—	Självinnspektion lyckades		●	●	●	Laddaren kan användas för att ladda batteriet

●: På ○: Av : Blinkar

LADDA ETT VARTM ELLER KALLT BATTERIPACK

Om batteripacket inte är inom sin normala temperaturintervall lyser 3# LED-lampan rött. När batteripacket svalnat till cirka 57 °C eller värms upp till mer än 3 °C startas laddningen automatiskt.

DEFEKT BATTERIPACK ELLER LADDARE

När laddaren ansluts till ett eluttag kommer laddaren att starta sin självinspektion omedelbart.

- Om självinspektionen misslyckas kommer ingen LED-lampa att blinka eller tändas.

Obs! Testa att koppla ur och återansluta strömkabeln till laddaren och eluttaget. Om LED-lamporna visar "misslyckande" en andra gång, kontakta EGO-center för reparation av laddaren.

- Om laddaren klarar inspektionen tänds de 3 LED-lamporna i 1 sekund, vilket innebär att laddaren kan användas för att ladda batteripacket. Om laddaren upptäcker ett problem under laddningen kommer 3# LED-lampan att börja blinka rött eller så slocknar alla LED-lampor.

- Om registreringen visar defekt, ta ut och sätt sedan tillbaka batteripackets kontakt i laddaren. Om LED-lamporna indikerar "defekt" en andra gång, testa att ladda upp ett annat batteripack.

- Om ett annat batteripack laddas normalt, kassera det defekta batteripacket (se instruktionerna i batteripackets bruksanvisning).

- Om ett annat batteripack också indikerar "defekt", återanslut laddaren till eluttaget tills den röda 3# LED-lampan slocknar. Om alla 3 LED-lampor fortfarande inte är tända eller om 3# LED-lampan blinkar rött kan det bero på att laddaren är defekt.

⚠ VARNING! Det rekommenderas inte att försöka ladda när laddaren bekräftats som defekt. Det kan leda till elektriska stötar eller allvarliga personskador.

HÅL FÖR VÄGGFÄSTE

Laddaren har hål för upphängning för enkel förvaring. Skruva in skruvarna i väggen med 76 mm mellanrum.

UNDERHÅLL

⚠ VARNING! För att undvika allvarliga personskador, koppla alltid ur batteripacket från laddaren vid rengöring eller underhåll.

⚠ VARNING! Vid service, används endast identiska utbytesdelar för EGO. Om andra delar används kan det skapa en fara eller orsaka produktskador.

⚠ VARNING! Det rekommenderas inte att använda komprimerad tryckluft vid rengöring av laddaren. Om rengöring med komprimerad tryckluft är det enda alternativet, se alltid till att använda skyddsglasögon eller skyddsglasögon med sidoskydd vid rengöring av laddaren. Använd alltid en ansiktsmask om användningen är dammig.

⚠ VARNING! Om strömkabeln är skadad, använd endast en identisk strömkabel. Användning av icke auktoriserad strömkabel kan leda till risk för elektriska stötar eller personskador.

ALLMÄNT UNDERHÅLL

Använd inte lösningsmedel när du rengör plastdelarna. De flesta plaster är känsliga för skador från olika typer av kommersiella lösningsmedel och kan skadas av dess användning. Använd rena trasor för att ta bort smuts, damm, olja, fett osv.

⚠ VARNING! Låt aldrig bromsvätska, bensin, petroleumbaserade produkter, smörjfett osv. komma i kontakt med plastdelarna. Kemikalier kan skada, försvaga eller förstöra plast, vilket kan resultera i allvarliga personskador.

⚠ VARNING! Vid service, används endast identiska utbytesdelar för EGO. Om andra delar används kan det skapa en fara eller orsaka produktskador. För att garantera en säker och pålitlig användning måste alla reparationer utföras av en kvalificerad servicetekniker på ett EGO servicecenter.

Miljöskydd



Kassera inte elektrisk utrustning, batteriladdaren eller batterier/ uppladdningsbara batterier i hushållssoporna!

Enligt det europeiska direktivet 2012/19/EU om avfall som utgörs av eller innehåller elektrisk och elektronisk utrustning, och enligt det europeiska direktivet 2006/66/EG för defekta eller förbrukade batteripack/batterier, måste de samlas in separat.

Om elektriska apparater kasseras på avfallsupplag eller soptippar kan farliga ämnen läcka ut i grundvattnet och tränga in i livsmedelskedjan, och skada din hälsa och välbefinnande.

SE



FELSÖKNING

PROBLEM	ORSAK	LÖSNING
Laddaren fungerar inte. 3# LED-lampan blinkar rött eller alla LED-lampor slocknar.	Batteripacket eller laddaren är defekt eller anslutningen mellan batteripacket och laddaren är dålig.	<ul style="list-style-type: none">■ Testa att ta ut och sedan sätta tillbaka batteripacket i laddaren.■ Testa att ladda ett annat batteripack.■ Koppla ur laddaren och vänta tills den röda LED-lampan slocknat och återanslut sedan stickkontakten i eluttaget.
	Laddaren har ändrats för ofta	<ul style="list-style-type: none">■ Anslut laddaren till eluttaget efter 30 sekunder efter att alla LED-lampor har slocknat.
Laddaren fungerar inte och 3# LED-lampan lyser rött.	Batteripacket är för varmt eller kallt.	<ul style="list-style-type: none">■ Låt batteripacket uppnå en normal temperatur. Laddningen påbörjas när batteripacket återgår till normal temperatur.

SE

GARANTI

EGO GARANTIPOLICY

Vänligen besök webbplatsen egopowerplus.com för fullständiga villkor och förhållanden för EGO garantipolicy.

LUE KAIKKI OHJEET!



LUE KÄYTTÖOPAS

Huomaa: Nämä ohjeet ovat saatavilla myös vaihtoehtoisessa formaatissa, esim. verkkosivustolla.

⚠ Jäännösriski! Henkilöiden, joilla on sydämentahdistin tai muu vastaava elektroninen laite, tulisi keskustella lääkärin kanssa ennen tämän tuotteen käyttöä. Sähkölaitteiden käyttö sydämentahdistimen lähetyksillä saattaa häiritä tahdistimen toimintaa tai aiheuttaa vakavan toimintahäiriön.

⚠ VAROITUS: Anna asiantuntevan huoltoteknikon tehdä kaikki korjaukset, jotta laite on varmasti turvallinen ja luotettava.

⚠ VAROITUS: Tätä laitetta voivat käyttää yli 8-vuotiaat lapset ja henkilöt, joilla on alentunut fyysinen, aistillinen tai henkinen toimintakyky tai joilta puuttuu kokemusta ja tietoa, vain silloin, jos heitä on neuvottu ja ohjeistettu, miten laitetta tulee turvallisesti käyttää ja jos he ymmärtävät siihen liittyvät vaarat. Lapset eivät saa leikkiä laitteella. Lapset eivät saa puhdistaa ja huoltaa laitetta ilman aikuisen valvontaa.

TURVALLISUUSYMBOLIT

Turvallisuussymbolien tarkoituksena on kiinnittää huomiota mahdollisiin vaaroihin. Turvallisuussymbolit ja niiden selitykset on syytä lukea tarkkaan ja ymmärtää perusteellisesti. Varoitussymbolit eivät yksin poista vaaran mahdollisuutta. Niiden antamat ohjeet ja varoitukset eivät korvaa perusteellisia estotoimenpiteitä.

⚠ VAROITUS: Lue ja ymmärrä tämän käyttöoppaan kaikki turvallisuusohjeet, mukaan lukien kaikki turvallisuusvaroitussymbolit, kuten **VAARA**, **VAROITUS** ja **HUOMAUTUS**, ennen kuin käytät tätä laitetta. Alla olevien ohjeiden noudattamatta jättäminen saattaa aiheuttaa sähköiskun, tulipalon ja/tai vakavan henkilökohtaisen vamman.

TURVALLISUUSOHJEET

Tällä sivulla kuvataan ja esitellään turvallisuussymbolit, jotka saattavat esiintyä tässä tuotteessa. Lue, ymmärrä ja noudata kaikkia laitteen ohjeita ennen kuin yrität koota sen tai käyttää sitä.

	Turvallisuushälytys	Varotoimet, jotka liittyvät turvallisuuteesi
	Lue käyttöopas	Käyttäjän on luettava käyttöopas vammaisikin vähentämiseksi.
	Käyttö sisätiloissa	Käytä tätä laitetta vain sisätiloissa
	Luokan II laite	Kaksinkertainen eristys
T6, 3A 	Sytyttimet	Aikaviiveellinen pienoissytytin
	CE	Tämä tuote vastaa sovellettavia EU-direktiivejä.
	UKCA	Tämä tuote on Yhdistyneen kuningaskunnan lainsäädännön mukainen.
	WEEE	Vanhoja sähkölaitteita ei saa hävittää kotitalousjätteen mukana. Vie laita valtuutettuun kierrätysia-itokseen.
V	Volttia	Jännite
A	Ampeeria	Virta
Hz	Hertsiä	Taajuus (kierrosta sekunnissa)
W	Wattia	Teho
min	Minuuttia	Aika
	Vaihtovirta	Virran tyyppi
	Tasavirta	Virran tyyppi tai virtajännite

⚠ VAROITUS: Lue ja ymmärrä kaikki ohjeet. Alla olevien ohjeiden noudattamatta jättäminen saattaa aiheuttaa sähköiskun, tulipalon ja/tai vakavan henkilökohtaisen vamman.

TYÖALUEEN TURVALLISUUS

- **Pidä työalue puhtaana ja hyvin valaistuna.** Sotkuiset tai hämärät alueet aiheuttavat onnettomuuksia.
- **Älä käytä EGO-laturia räjähdysriskissä ympäristössä, kuten esimerkiksi syttyvien nesteiden, höyryjen tai pölyn lähellä.** Laturi saattaa aiheuttaa kipinöitä, jotka voivat sytyttää pölyn tai höyryt.

SÄHKÖTURVALLISUUS

- **Älä altista laturia sateelle tai kosteille olosuhteille.** Laturiin joutuva vesi lisää sähköiskun riskiä.

- **Älä väärinkäytä johtoa.** Älä ikinä käytä johtoa laturin kantamiseen, vetämiseen tai pistokkeesta irrottamiseen. Pidä johto poissa tulen, öljyn, terävien reunojen tai liikkuvien osien läheltä. Vahingoittuneet tai sotkeutuneet johdot lisäävät sähköiskun vaaraa.
- EGO-laturilla voi ladata seuraavia EGO-litium-ioniakkuja:

LATURI	AKUT
CHX5500E	BAX1500

HUOLTO

- **Huollata laturisi asiantuntevalla korjaajalla, joka käyttää vain identtisiä varaosia.** Näin varmistetaan, että laturi pysyy yhtä turvallisena kuin aiemmin.
- **Kun huollat laturia, käytä vain identtisiä varaosia. Noudata tämän oppaan ylläpito-osion ohjeita.** Muiden kuin hyväksytyjen osien käyttö tai kunnossapito-ohjeiden noudattamatta jättäminen saattaa aiheuttaa sähköiskun tai vamman riskin.

LATURIN TURVALLISUUSOHJEET

⚠ HUOMIO: Tätä laitetta ei ole tarkoitettu henkilöille (mukaan lukien lapset), joilla on alentunut fyysinen, aistillinen tai henkinen toimintakyky tai joilta puuttuu kokemusta ja tietoa, paitsi jos heidän turvallisuudestaan vastuussa oleva henkilö on neuvonut ja ohjeistanut heitä laitteen käytöstä.

- **Ennen kuin käytät akkulaturia,** lue kaikki ohjeet ja varoitusmerkinnät tästä käyttöoppaasta ja akkulaturista, akusta ja laitteesta laitteiden väärinkäytön ja mahdollisten tapaturmien tai vahinkojen välttämiseksi.
- Älä käsittele laturia, mukaan lukien laturin pistotulppa ja latausnavat, märin käsin.
- **Tarkista, että johto sijaitsee siten, että sen päälle ei voi astua, siihen ei voi kompastua, se ei joudu kosketuksiin terävien reunojen tai liikkuvien osien kanssa tai jollain muulla tavalla vaurioitua tai altistu rasitukselle.** Tämä vähentää laturin tahattoman putoamisen riskiä. Putoaminen voi aiheuttaa vammoja ja vahingoittaa johtoja, mikä puolestaan voi johtaa sähköiskuihin.
- **Pidä johto ja laturi poissa kuumasta, jotta niiden kotelot tai sisäosat eivät vahingoitu.**

- **Älä anna bensiinin, öljyjen, öljypohjaisten tuotteiden ym. päästä kosketuksiin muoviosien kanssa.** Nämä materiaalit sisältävät kemikaaleja, jotka saattavat vahingoittaa, heikentää tai tuhota muovia.
- **Älä käytä laturia, jossa on viallinen johto tai pistoke. Ne voivat aiheuttaa oikosulun tai sähköiskun.** Korjauta tai vaihdata viallinen laturi valtuutetulla huoltoteknikolla EGO-huoltoliikkeessä.
- Älä pura laturia. Vie se valtuutetulle huoltoteknikolle, jos se vaatii huoltoa tai korjausta. Väärin koottu laturi saattaa aiheuttaa sähköisku- tai tulipaloriskin.
- **Irrota laturi pistorasiasta ennen kuin teet minkäänlaisia kunnossapitotoimia tai puhdistat sitä, jotta pienennät sähköiskun vaaraa.**
- **Irrota laturi aina virtalähteestä, kun et käytä sitä.** Näin pienennät sähköiskun tai laturin vioittumisen vaaraa, jos metalliesineitä putoaa sen aukkoon. Se voi myös estää laturin vahingoittumisen virtapiikin aikana.
- **Sähköiskun vaara.** Älä koske lähtöliittimen eristämätöntä osaa tai eristämätöntä akun napaa.
- **Säilytä nämä ohjeet.** Lue ohjeet säännöllisesti ja käytä niitä muiden työkalujen käyttäjien ohjeistamisessa. Jos lainaat tämän työkalun jollekulle muulle, lainaa samalla myös nämä ohjeet laitteen väärinkäytön ja mahdollisten tapaturmien välttämiseksi.

TÄRKEITÄ TURVALLISUUSOHJEITA

- **Säilytä nämä ohjeet.** Tämä käsikirja sisältää tärkeitä 56 V pikalatauslaitteen CHX5500E turvallisuus- ja käyttöohjeita.
- **Ennen kuin käytät akkulaturia, lue kaikki ohjeet ja varoitusmerkinnät akkulaturista, akusta ja akkua käyttävästä laitteesta.**

TEKNISET TIEDOT

Laturin tuloteho	220-240 V~50Hz 550 W
Laturin lähtöteho	4/8 A 56 V
Latausaika	BAX1500-akun (1568 Wh) lataaminen: 3,5 t (pikalataus) 7 t (normaali lataus)
Ihanteellinen latauslämpötila	5°C-40°C
Laturin paino	1,6 kg

KUVAUS

TUNNE LATURISI (kuva A)

1. Virtajohto
2. Lähtöliitäntä
3. Painike
4. 1# LED (vihreä)
5. 2# LED (vihreä)
6. 3# LED (punainen)
7. Tuloliitäntä
8. Seinäkiinnitysreikä
9. Jäähdytysilman portti

KÄYTTÖ

MITEN AKKU LADATAAN

VAROITUS: Älä käytä laturia ulkona tai altista sitä kosteille tai märillä olosuhteille. Laturiin joutuva vesi lisää sähköiskun riskiä.

HUOMAA: Litium-ioniakut toimitetaan osittain ladattuna. Ennen kuin käytät sitä ensimmäisen kerran, lataa se täyteen.

1. Työnnä erillinen virtajohto tuloliitäntään (kuva B).
2. Yhdistä laturi sähköverkkoon (220–240 V/50 Hz).
3. Työnnä akun liitin laturiin, kuten kuvissa C ja D näytetään.
4. Laturi kommunikoi akun kanssa ja arvioi akun kunnon.

5. Laturin vihreä 2# LED-valo vilkkuu, kun akku latautuu normaalisti. Jos pidät vihreää painiketta painettuna vähintään 1 sekunnin ajan, normaali lataus vaihtuu pikalataukseen ja vihreä 2# LED-valo sammuu ja vihreä 1# LED-valo vilkkuu. Laturin tuuletin toimii jatkuvasti jäähdyttääkseen akkua.
6. Kun akku on täysin ladattu, latauksen LED-merkkivalo lopettaa vilkkumisen ja palaa vihreänä. Odota, kunnes jäähdytystuuletin sammuu, ja poista sitten akku laturista ja irrota laturi virtalähteestä.
7. Jos akku jätetään laturiin, se latautuu täyteen, mutta ei lataudu yli.

HUOMAA:

- Jos 3 LED-valoa ei pala, vaikka laturi on yhdistetty virtalähteeseen vaiheessa 1, katso kohtaa **“VIALLINEN AKKU TAI LATURI”**.
- Täysin ladatun akun merkittävästi lyhentynyt käyttöaika viittaa siihen, että akku on lähenemässä käyttöikänsä loppua ja se on vaihdettava.
- Laturi saattaa lämmetä latauksen aikana. Tämä kuuluu laturin normaaliin toimintaan. Lataa hyvin ilmastoidussa paikassa.

FI

LATURIN LED-MERKKIVALOTOIMINNOT

LED-MERKKIVALO	SELKÄREPPUAKKU		LATURIN LED-MERKKIVALO			TOIMINTO
			1# LED (VIHREÄ)	2# LED (VIHREÄ)	3# LED (PUNAINEN)	
	Viallinen		○	●		Akku tai laturi on viallinen
	Yliämpötila	Normaali lataus	○		●	Lataus alkaa, kun akku palaa normaaliin lämpötilaan
		Pika-lataus		○	●	Lataus alkaa, kun akku palaa normaaliin lämpötilaan
	Normaali lataus		○		○	4 A latausvirta
	Pikalataus			○	○	8 A latausvirta
	Täysin ladattu	Normaali lataus	○	●	○	Lataus on valmis
		Pika-lataus	●	○	○	Lataus on valmis
—	Itsetarkastus onnistui		●	●	●	Laturia voidaan käyttää akun lataamiseen

●: Päällä ○: Pois päältä : Vilkkuu

KUUMAN TAI KYLMÄN AKUN LATAAMINEN

Jos akku ei vastaa normaalia lämpötilaväliä, 3# LED-merkkivalo palaa punaisena. Kun akku jäähtyy noin 57 °C:een tai lämpenee yli 3 °C:een, laturi alkaa ladata automaattisesti.

VIALLINEN AKKU TAI LATURI

Heti kun laturi on yhdistetty sähkövirtaan, se aloittaa itsetarkastuksen.

- Jos itsetarkastuksessa löytyy vika, mikään LED-merkkivalo ei vilku tai pala.

Huomaa: Kokeile yhdistää virtajohto laturiin ja pistorasiaan uudelleen. Jos LED-valot näyttävät "vikaa" toisen kerran, ota yhteys EGO-huoltoon laturin korjaamiseksi.

- Jos laturi läpäisee itsetarkastuksen, 3 LED-merkkivaloa palaa noin 1 sekunnin ajan samanaikaisesti, mikä tarkoittaa, että laturi on valmis akun lataamiseen. Jos laturi havaitsee ongelman latauksen aikana, 3# LED-merkkivalo alkaa vilkkua punaisena tai kaikki LED-merkkivalot sammuvat.

- Jos akku näkyy viallisena, irrota akun liitin ja yhdistä se uudelleen laturiin. Jos LED-merkkivalot silti ilmoittavat sen olevan viallinen, kokeile ladata toista akkua.
- Jos toinen akku latautuu normaalisti, hävitä viallinen akku (katso ohjeet akun käyttöoppaasta).
- Jos toinen akkukin ilmoitetaan vialliseksi, yhdistä laturi uudelleen virtalähteeseen, kunnes 3# LED sammuu. Jos mikään 3 LED-merkkivalosta ei syty tai 3# LED vilkkuu punaisena, laturi voi olla viallinen.

VAROITUS: Emme suosittele latauksen yrittämistä, jos laturin on todettu olevan viallinen. Se voi aiheuttaa sähköiskun tai jopa vakavan henkilövahingon.

SEINÄKIINNITYSREIÄT

Laturissa on reiät, joista sen saa ripustettua seinälle varastoimisen ajaksi. Kiinnitä seinään ruuvit 76 mm:n päähän toisistaan.

KUNNOSSAPITO

VAROITUS: Poista akku aina laturista, kun puhdistat laturia tai teet kunnossapitotoimenpiteitä. Näin vältät vakavat henkilövahingot.

VAROITUS: Käytä huollossa vain identtisiä EGO-varaosia. Muiden osien käyttö saattaa aiheuttaa vaaran tai tuotteen vaurioitumisen.

VAROITUS: Kompressoitun kuivailman käyttöä ei suositella laturin puhdistusmenetelmäksi. Jos kompressoitulla ilmalla puhdistaminen on ainoa vaihtoehto, käytä aina laturin puhdistuksen aikana suojalaseja, joissa on sivusuojat. Jos työ on pölyistä, käytä myös hengityssuojainta.

VAROITUS: Jos virtajohto on vaurioitunut, käytä vain identtistä virtajohtoa. Hyväksyttömän virtajohdon käyttö voi aiheuttaa sähköiskuvaaran tai henkilövahingon.

YLEINEN KUNNOSSAPITO

Vältä liuotainaineiden käyttöä, kun puhdistat muoviosia. Useimmat muovit ovat herkkiä vaurioitumaan erilaisista kaupallisista liuottimista ja voivat vaurioitua niiden käytöstä. Käytä lian, pölyn, öljyn ja rasvan yms. puhdistamiseen puhtaita liinoja.

VAROITUS: Älä koskaan anna jarrunesteiden, bensiinin, öljypohjaisten tuotteiden, irrotusöljyn yms. koskea muoviosiin. Kemikaalit voivat vaurioittaa, heikentää tai tuhota muovin, mikä voi johtaa vakavaan henkilövahinkoon.

VAROITUS: Käytä huollossa vain identtisiä EGO-varaosia. Muiden osien käyttö saattaa aiheuttaa vaaran tai tuotteen vaurioitumisen. Anna EGO-huoltoliikkeen asiantuntevan huoltoteknikon tehdä kaikki korjaukset, jotta laite on varmasti turvallinen ja luotettava.

Ympäristönsuojelu



Älä hävitä sähkölaitteita, akkulaturia tai akkuja/ladattavia paristoja kotitalousjätteen seassa!

EU:n direktiivin 2012/19/EU mukaan sähkölaite- ja elektroniikkaromu, jota ei enää voida käyttää ja EU:n direktiivin 2006/66/EY mukaan vialliset tai käytetyt akut/paristot on kerättävä erikseen.

Jos sähkölaitteita viedään kaatopaikalle, pohjaveteen saattaa vuotaa vaarallisia aineita ja päätyä sitä kautta ruokaketjuun. Tämä vahingoittaa terveyttäsi ja hyvinvointiasi.

FI

VIANMÄÄRITYS

ONGELMA	SYY	RATKAISU
Laturi ei toimi. 3# LED-merkkivalo vilkkuu punaisena tai kaikki LED-merkkivalot ovat sammuneet	Akku tai laturi on viallinen tai akun ja laturin välinen yhteys on huono.	<ul style="list-style-type: none">■ Poista akku ja laita se uudelleen laturiin.■ Yritä ladata toista akkua.■ Irrota laturi ja odota, että punainen LED-merkkivalo sammuu. Liitä sitten laturi uudelleen sähköverkkoon.
	Vaihda laturi liian usein	<ul style="list-style-type: none">■ Yhdistä laturi virtalähteeseen 30 sekunnin kuluttua siitä, kun kaikki LED-merkkivalot ovat sammuneet.
Laturi ei toimi ja 3# LED-merkkivalo palaa punaisena.	Akku on liian kuuma tai kylmä.	<ul style="list-style-type: none">■ Anna akun lämpötilan normalisoitua. Lataus alkaa, kun akku palaa normaaliin lämpötilaan.

FI

TAKUU

EGON TAKUUEHDOT

Verkkosivustolta egopowerplus.com löydät EGO:n takuuehdot kokonaisuudessaan.

LES ALLE INSTRUKSJONER!



LES BRUKERMANUALEN

MERK: Disse instruksjonene skal også være tilgjengelige i et alternativt format, for eksempel på en nettside.

⚠ Restrisiko! Personer med elektroniske enheter, for eksempel pacemakere, må rådføre seg med lege før de bruker dette produktet. Drift av elektrisk utstyr i umiddelbar nærhet av en pacemaker kan føre til at pacemakeren forstyrres eller svikter.

⚠ ADVARSEL: For sikre både sikkerheten og påliteligheten, skal alle reparasjoner utføres av en kvalifisert servicetekniker.

⚠ ADVARSEL: Dette produktet kan brukes av barn fra åtte år og oppover og av personer med reduserte fysiske, sensoriske eller mentale evner eller mangel på erfaring og kunnskap, så fremt de får tilsyn eller instruksjoner i å bruke produktet på en sikker måte og forstår farene som er involvert. Barn får ikke leke med produktet. Rengjøring og vedlikehold må ikke gjøres av barn uten tilsyn.

SIKKERHETSSYMBOLER

Formålet med sikkerhetssymbolene er å trekke oppmerksomheten din mot mulige faresituasjoner. Sikkerhetssymbolene og forklaringene krever din fulle oppmerksomhet og forståelse. Symbolvarslene eliminerer ikke farer på egen hånd. Instruksjonene og advarslene som finnes i dem er ikke erstatninger for passende ulykkesforebyggende tiltak.

⚠ ADVARSEL: Sørg for å lese og forstå alle sikkerhetsanvisningene i denne bruksanvisningen, inkludert alle sikkerhetsvarselssymboler så som «FARE», «ADVARSEL» og «FORSIKTIG» før du bruker dette verktøyet. Hvis du ikke følger alle instruksjonene nedenfor, kan det føre til elektriske støt, brann og/eller alvorlig personskade.

SIKKERHETSINSTRUKSJONER

Denne siden viser og beskriver sikkerhetssymboler som finnes på produktet. Les, forstå og følg alle instruksjoner på maskinen før begynner montering og bruk.

	Sikkerhetsvarsel	Forholdsregler for å ivareta din sikkerhet
	Les brukermanualen	For å redusere risikoen for skader, må brukeren lese bruksanvisningen.
	Innendørs bruk	Dette produktet skal bare brukes innendørs
	Klasse II konstruksjon	Dobbeltisolert konstruksjon
	Sikringskoblinger	Tidsforsinket miniatrysikringslenke
	CE	Dette produktet er utformet i tråd med gjeldende EC-direktiver.
	UKCA	Dette produktet er i samsvar med gjeldende britisk lovgivning.
	WEEE	Elektrisk avfall må ikke kastes sammen med vanlig husholdningsavfall. Må avleveres på en godkjent gjenvinningsstasjon.
V	Volt	Spenning
A	Ampere	Gjeldende
Hz	Hertz	Frekvens (sykluser per sekund)
W	Watt	Strøm
min	Minutter	Tid
	Vekse-istrøm	Typen spenning
	Likestrøm	Type eller karakteristikk for spenningen

NO

⚠ ADVARSEL: Les og forstå alle instruksjoner. Hvis du ikke følger alle instruksjonene nedenfor, kan det føre til elektriske støt, brann og/eller alvorlig personskade.

SIKKERHET I ARBEIDSOmrÅDET

- **Hold arbeidsområdet rent og godt opplyst.** Rotete eller mørke områder inviterer til ulykker.
- **Ikke bruk EGO-laderen i eksplosive miljøer, for eksempel i nærheten av brennbare væsker, gasser eller støv.** En lader kan skape gnister, som kan antenne støv eller damper.

ELEKTRISK SIKKERHET

- **Ikke utsett laderen for regn eller fuktige forhold.** Risikoen for elektrisk støt øker dersom vann kommer inn i laderen.

- **Ikke misbruk ledningen.** Bruk aldri ledningen til å bære, trekke eller trekke ut laderen. Hold ledningen unna varme, olje, skarpe kanter eller bevegelige deler. Med skadede eller sammenfiltrede ledninger øker risikoen for elektrisk støt.
- EGO-laderen kan lade EGO lithium-ion batteripakker som er oppført nedenfor:

LADER	BATTERIPAKKER
CHX5500E	BAX1500

SERVICE

- **La laderen din repareres av en kvalifisert reparatør ved å bare bruke identiske reservedeler.** Dette gjør at sikkerheten til laderen opprettholdes.
- **Ved service på en lader, skal det bare brukes originale reservedeler.** Følg instruksjonene i Vedlikehold-delen i denne håndboken. Bruk av uautoriserte deler eller unnlattelse av å følge vedlikeholdsinstruksjonene kan skape fare for støt eller skade.

SIKKERHETSREGLER FOR LADEREN

⚠ VIKTIG: Dette apparatet er ikke ment for bruk for personer (inkludert barn) med redusert fysisk, sans- eller mentale evner, eller mangel på erfaring og kunnskap, med mindre de har fått tilsyn eller instruksjoner om bruken av apparatet av en person ansvarlig for deres sikkerhet.

- **Før du bruker batteriladeren,** les alle instruksjoner og advarsler i denne håndboken og på batteriladeren, batteriet og produktet for å forhindre feilaktig bruk av produktene og mulig skade eller ødeleggelse.
- **Ikke ta i laderen, inkludert laderstøpselet og laderterminaler, med våte hender.**
- **Pass på at ledningen er plassert slik at den ikke blir tråkket på, snublet over, kommer i kontakt med skarpe kanter eller bevegelige deler eller på annen måte utsettes for skade eller slitasje.** Dette vil redusere risikoen for fallulykker, noe som kan forårsake personskader og skade på ledningen, som deretter kan føre til elektriske støt.
- **Hold ledningen og laderen borte fra varme for å hindre skade på huset eller interne deler.**
- **Ikke la bensin, oljer, petroleumbasert produkter etc. komme i kontakt med plastdeler.** Disse materialene inneholder kjemikalier som kan skade, svekke eller ødelegge plast.

- **Ikke bruk laderen med en skadet ledning eller kontakt, da det kan føre til kortslutning og elektrisk støt.** Hvis skadet, må laderen repareres eller byttes ut av en autorisert servicetekniker på et EGO-servicenter.
- **Ikke demonter laderen.** Ta den med til en autorisert servicetekniker når service eller reparasjon er nødvendig. Feilmontering kan føre til fare for elektriske støt eller brann.
- **Trekk laderen ut av stikkkontakten før du utfører vedlikehold eller rengjøring, for å redusere risikoen for elektriske støt.**
- **Koble laderen fra strømforsyningen når den ikke er i bruk.** Dette vil redusere risikoen for elektriske støt eller skader på laderen hvis metallgjenstander skulle falle inn i åpningen. Det vil også bidra til å forhindre skade på laderen ved overspenning.
- **Fare for elektrisk støt.** Ikke berør uisolerte deler på utgangskontakten eller uisolerte batteriterminaler.
- **Ta vare på disse instruksjonene.** Referer til dem ofte, og bruk dem til å instruere andre som kan komme til å bruke verktøyet. Hvis du låner ut verktøyet til noen andre, må de også få låne disse instruksjonene, for å hindre feilbruk av produktet og mulige skader.

VIKTIGE SIKKERHETSINSTRUKSJONER

- **Ta vare på disse instruksjonene.** Denne håndboken inneholder viktige sikkerhets- og driftsinstruksjoner for 56V Rapid Charger CHX5500E.
- **Før du bruker batteriladeren, må du lese alle instruksjoner og advarsler om batteriladeren, batteriet og produktet som batteriet skal brukes i.**

NO

SPESIFIKASJONER

Laderens inngangseffekt	220-240 V~50 Hz 550 W
Laderens utgangseffekt	4/8 A 56 V
Ladetid	Lading BAX1500 (1568 Wh): 3,5 timer (rask lading) 7 timer (normal lading)
Optimal ladetemperatur	5°C-40°C
Laderens vekt	1,6 kg

BESKRIVELSE

KJENN LADEREN DIN (Figur A)

1. Strømledning
2. Utgangsgrensesnitt
3. Knapp
4. 1# LED (grønn)
5. 2 # LED (grønn)
6. 3 # LED (rød)
7. Inngangsgrensesnitt
8. Hull for veggmontering
9. Kjøleluftport

BRUK

SLIK LADES BATTERIPAKKEN

⚠ ADVARSEL: Ikke bruk laderen utendørs, eller utsett den for våte eller fuktige forhold. Risikoen for elektrisk støt øker dersom vann kommer inn i laderen.

MERK: Lithium-ion batteripakker leveres delvis ladet. Batteriet skal lades fullt før du bruker det første gang.

1. Sett inn den separate strømledningen i inngangsgrensesnittet (figur B).
2. Koble laderen til strømforsyningen (220-240 V/50 Hz).
3. Sett inn batteripluggen i laderen som vist i fig. C og D.
4. Laderen vil kommunisere med batteripakken for å evaluere tilstanden til batteripakken.

5. Når batteriet lades normalt, blinker den grønne 2# LED på laderen. Hvis du holder den grønne knappen trykket i minst 1 sekund, vil den normale ladingen forvandles til rask lading, og grønn 2# LED slukker og grønt 1# LED blinker. Viften i laderen virker kontinuerlig for å avkjøle batteripakken.
6. Når batteripakken er fulladet, slutter indikatorlampene for lading å blinke og lyser grønt kontinuerlig. Vent til kjølevifte stopper, ta ut batteripakken fra laderen, og koble laderen fra strømforsyningen.
7. Batteriet vil lade opp fullstendig hvis den plasseres i laderen, men den vil ikke overlades.

MERK:

- Når laderen er koblet til en strømforsyning i trinn 1 og 3 lysdiodene fortsatt ikke lyser, se avsnittet «**DEFEKT BATTERIPAKKE ELLER LADER**».
- En betydelig redusert kjøretid etter full lading av batteriet angir at batteriene er nær slutten av den brukbare levetiden sin, og må byttes ut.
- Laderen kan bli varm under lading. Dette er en del av den normale driften av laderen. Lad i et godt ventilert område.

NO

LED-FUNKSJONENE TIL LADEREN

LED-INDIKATOR	RYGGSEKK-BATTERI		LED PÅ LADEREN			HANDLING
			1 # LED (GRØNN)	2 # LED (GRØNN)	3 # LED (RØD)	
	Defekt		○	●		Batteripakke eller -lader er defekt
	Overtemperatur	Normal lading	○		●	Ladingen starter når batteripakken vender tilbake til normal temperatur
		Hurtig lading		○	●	Ladingen starter når batteripakken vender tilbake til normal temperatur
	Normal lading		○		○	4 A lading
	Hurtig lading			○	○	8 A lading
	Fulladet	Normal lading	○	●	○	Oppladingen er fullført.
		Hurtig lading	●	○	○	Oppladingen er fullført.
—	Vellykket selvspeksjon		●	●	●	Laderen kan brukes til å lade batteriet

●: På ○: Av : Blinker

LADING AV EN VARM ELLER KALD BATTERIPAKKE

Hvis batteriet er ute av det normale temperaturområdet, lyser 3# LED rødt. Når batteripakken kjøler ned til ca. 57 °C eller varmes opp til mer enn 3 °C, starter laderen automatisk lading.

DEFEKT BATTERIPAKKE ELLER LADER

Når laderen kobles til strømforsyningen, starter laderen automatisk selvspeksjon.

1. Hvis selvkontrollen resulterer i feil, vil ingen av lysdiodelene blinke eller lyse.

Legg merke til: Prøv å sette inn strømledningen i laderen og strømforsyningen i denne rekkefølge. Hvis lysdiodelene fortsatt leser «feil» en andre gang, ta kontakt med EGO-senteret for å reparere laderen.

2. Hvis laderen går gjennom inspeksjonen uten feil, vil 3 lysdioder lyse i 1 sekund samtidig, noe som betyr at laderen kan brukes til å lade batteripakken. Hvis laderen har et problem under lading, begynner 3# LED å blinke rødt, eller alle lysdiodelene slås av.

- Hvis den registreres som defekt, ta ut og sett inn igjen batteripakken i laderen. Hvis LED-lampene fortsatt viser «defekt» andre gang, prøver du å lade en annen batteripakke.
- Hvis et annet batteri lades normalt, kast det defekte batteripakken (se instruksjonene i batteripakkens bruksanvisning).
- Hvis en annen batteripakke også indikerer «defekt», koble laderen til strømforsyningen igjen til den røde 3#-dioden slukkes. Hvis alle 3 lysdiodelene fortsatt er av eller 3# LED blinker rødt, kan laderen være defekt.

⚠ ADVARSEL: Det anbefales ikke å forsøke å lade når laderen er bekreftet som defekt. Det kan føre til elektrisk støt eller alvorlig skade.

VEGGMONTERINGSHULL

Laderen har hull til opphenging for praktisk lagring. Installer skruene i veggen, 76 mm fra hverandre.

VEDLIKEHOLD

⚠ ADVARSEL: For å unngå alvorlig personskade, koble alltid batteripakken fra laderen når du rengjør eller utfører vedlikehold.

⚠ ADVARSEL: Ved service, må du bare bruke identiske reservedeler fra EGO. Bruk av andre deler kan forårsake farer eller skader på produktet.

⚠ ADVARSEL: Det er ikke anbefalt å bruke komprimert tørrluft som rengjøringsmetode for laderen. Hvis rengjøring med trykkluft er den eneste metoden som skal brukes, må du alltid bruke vernebriller eller sikkerhetsbriller med sideskjold når du rengjør laderen. Hvis arbeidet er støvete, må det brukes støvmaske også.

⚠ ADVARSEL: Hvis strømledningen er skadet, bruk kun identisk strømledning. Bruk av uautorisert strømledning kan medføre fare for støt eller skade.

GENERELT VEDLIKEHOLD

Unngå å bruke løsemidler når plastdeler skal rengjøres. De fleste plasttyper er utsatt for skader fra ulike typer kommersielle løsemidler, og kan ta skade av bruk av slike. Bruk rene kluter for å fjerne skitt, støv, olje, fett, osv.

⚠ ADVARSEL: Ikke på noe tidspunkt skal bremsevæske, bensin, petroleum-baserte produkter, penetrerende oljer, osv. komme i kontakt med plastdeler. Kjemikalier kan skade, svekke eller ødelegge plastmaterialer, noe som kan føre til alvorlig personskade.

⚠ ADVARSEL: Ved service, må du bare bruke identiske reservedeler fra EGO. Bruk av andre deler kan forårsake farer eller skader på produktet. For sikre både sikkerheten og påliteligheten, skal alle reparasjoner utføres av en kvalifisert servicetekniker i et EGO-servicesenter.

Beskytt miljøet



Elektrisk utstyr, batterilader og batterier/oppladbare batterier skal ikke kastes i husholdningsavfall.

Ifølge EU-forskrift 2012/19/EU, skal elektrisk og elektronisk utstyr som ikke lenger er brukbart, og som i henhold til EU-forskrift 2006/66/EC har defekte eller brukte batteripakker/batterier, samles inn separat.

Hvis elektriske apparater kastes på fyllinger eller avfallsplasser, kan farlige substanser lekke ned i grunnvannet og komme inn i næringskjeden og skade din helse og ditt velvære.

NO

FEILSØKING

PROBLEM	ÅRSAK	LØSNING
Laderen fungerer ikke. 3# LED blinker rødt, eller alle LED-lampene slukkes.	Batteripakken eller laderen er defekt, eller det er dårlig kontakt mellom batteriet og laderen.	<ul style="list-style-type: none">■ Prøv å fjerne batteripakken fra og sette den inn i laderen igjen.■ Prøv å lade en annen batteripakke.■ Koble laderen fra, og vent til den røde LED-lampen slukkes før støpselet kobles til strømforsyningen igjen.
	Bryte ladingen for ofte	<ul style="list-style-type: none">■ Koble laderen med strømforsyningen etter 30 sekunder, siden alle lysdiodene slukkes.
Laderen fungerer ikke, og 3# LED lyser rødt.	Batteripakken er for varm eller for kald.	<ul style="list-style-type: none">■ La batteripakken nå normal temperatur. Ladingen starter når batteripakken vender tilbake til normal temperatur.

NO GARANTI

EGOs GARANTIREGLER

Besøk nettsiden egopowerplus.com for å se fullstendige vilkår og betingelser for EGO-garantireglene.

ПРОЧИТАЙТЕ ВСЕ ИНСТРУКЦИИ!



ПРОЧИТАЙТЕ РУКОВОДСТВО ПОЛЬЗОВАТЕЛЯ

Примечание. Данные инструкции должны быть также доступны в альтернативном формате, например на веб-сайте.

⚠️ Остаточный риск! Если вы используете такие электронные устройства, как кардиостимулятор, перед эксплуатацией данного устройства проконсультируйтесь с врачом. Использование электрооборудования в непосредственной близости от кардиостимулятора может привести к образованию помех и повреждению кардиостимулятора.

⚠️ ПРЕДУПРЕЖДЕНИЕ. Для обеспечения безопасности и надежности устройства его ремонт должен выполнять квалифицированный специалист.

⚠️ ПРЕДУПРЕЖДЕНИЕ. Данное устройство могут использовать дети старше 8 лет и лица с ограниченными физическими, сенсорными или умственными способностями, а также не имеющие достаточного опыта и знаний, если они находятся под присмотром либо ознакомлены с правилами безопасной эксплуатации устройства и осознают связанные с ним опасности. Не позволяйте детям играть с данным устройством. Не позволяйте детям выполнять очистку и техническое обслуживание устройства без наблюдения взрослых.

СИМВОЛЫ БЕЗОПАСНОСТИ

Символы безопасности предназначены для привлечения внимания к возможным рискам. Символы безопасности, а также объяснения к ним, требуют особого внимания и понимания. Предупреждения по технике безопасности сами по себе не устраняют опасность. Инструкции и предупреждения не заменяют соответствующие меры по предотвращению несчастных случаев.

⚠️ ПРЕДУПРЕЖДЕНИЕ. Перед использованием устройства внимательно прочитайте все инструкции в данном руководстве пользователя и ознакомьтесь с предупреждающими символами безопасности, такими как «ОПАСНОСТЬ», «ПРЕДУПРЕЖДЕНИЕ» и «ВНИМАНИЕ». Несоблюдение всех приведенных ниже инструкций может привести к поражению электрическим током, возникновению пожара и (или) получению серьезных травм.

ИНСТРУКЦИЯ ПО ТЕХНИКЕ БЕЗОПАСНОСТИ

Далее приведено изображение и описание символов безопасности, которые могут присутствовать на данном

устройстве. Перед сборкой или использованием внимательно прочитайте все инструкции, приведенные на устройстве, и соблюдайте их.

	Предупреждение об опасности	Меры предосторожности, касающиеся безопасности
	Прочитайте руководство пользователя.	Прочитайте руководство по эксплуатации, чтобы уменьшить риск получения травм.
	Для использования внутри помещений	Используйте устройство только внутри помещения.
	Конструкция класса II	Конструкция с двойной изоляцией.
T6, 3A 	Плавкие вставки	Миниатюрная плавкая вставка с задержкой срабатывания
	CE	Соответствует основным требованиям стандартов безопасности Европейских директив.
	UKCA	Данный продукт соответствует действующему законодательству Великобритании.
	WEEE	Неисправные электрические устройства нельзя выбрасывать вместе с бытовым мусором. Сдавайте их в авторизованные пункты сбора и утилизации.
V	Вольт	Напряжение
A	Ампер	Сила тока
Hz	Герц	Частота (оборотов в секунду)
W	Ватт	Мощность
min	Минуты	Время
	Переменный ток	Тип тока
	Постоянный ток	Тип или характеристика тока

⚠️ ПРЕДУПРЕЖДЕНИЕ. Внимательно прочитайте все инструкции. Несоблюдение всех приведенных ниже инструкций может привести к поражению электрическим током, возникновению пожара и (или) получению серьезных травм.

БЕЗОПАСНОСТЬ РАБОЧЕГО МЕСТА

- **Обеспечьте чистоту и освещенность рабочего места.** Загроможденные и плохо освещенные места служат причиной несчастных случаев.

RU

- Не используйте зарядное устройство EGO во взрывоопасных средах, например вблизи горючих жидкостей, газов или пыли. Зарядное устройство генерирует искры, которые могут воспламенить пыль или испарения.

ЭЛЕКТРОБЕЗОПАСНОСТЬ

- Не подвергайте зарядное устройство воздействию дождя или влажности. При попадании воды в зарядное устройство увеличивается риск поражения электрическим током.
- Обращайтесь с кабелем аккуратно. Никогда не переносите, не тяните и не выключайте зарядное устройство за кабель. Не оставляйте кабель вблизи источников тепла, масла, острых предметов или движущихся частей. Поврежденные или запутанные кабели повышают опасность поражения электрическим током.
- Зарядное устройство EGO позволяет заряжать указанные ниже литий-ионные аккумуляторы.

ЗАРЯДНОЕ УСТРОЙСТВО	АККУМУЛЯТОР
CHX5500E	BAX1500

РЕМОНТ

- Ремонт зарядного устройства должен производиться квалифицированным специалистом с использованием только идентичных запасных частей. Это обеспечит безопасную работу зарядного устройства.
- При выполнении сервисного обслуживания используйте только идентичные запасные части. Следуйте инструкциям в разделе о выполнении обслуживания в данном руководстве. Использование неподходящих деталей или несоблюдение инструкций по обслуживанию может привести к поражению током или получению травмы.

ПРАВИЛА БЕЗОПАСНОСТИ ПРИ ОБРАЩЕНИИ С ЗАРЯДНЫМИ УСТРОЙСТВАМИ

⚠ ВНИМАНИЕ! Данное устройство не предназначено для использования лицами (включая детей) с ограниченными физическими, сенсорными или умственными возможностями либо недостатком опыта и знаний, кроме случаев, когда они находятся под присмотром либо проинструктированы относительно использования устройства лицом, ответственным за их безопасность.

- Во избежание неправильного использования и возможных травм необходимо перед использованием зарядного устройства внимательно прочитать все инструкции и предупреждающие обозначения в данном руководстве, на зарядном устройстве, аккумуляторе и продукте, с которым он будет использоваться.
- Не прикасайтесь мокрыми руками к зарядному устройству, в том числе вилке и контактам.
- Убедитесь, что кабель расположен таким образом, что он не будет соприкасаться с острыми краями и движущимися частями и на него не наступят, не зацепят и не повредят как-либо иначе. Это уменьшит риск случайных падений, которые могут стать причиной травмы пользователя и повреждения кабеля, которое может привести к поражению электрическим током.
- Держите кабель и зарядное устройство подальше от источников тепла, чтобы избежать повреждения корпуса или внутренних деталей.
- Не допускайте попадания на пластиковые части бензина, масла, продуктов на нефтяной основе и т. д. В таких материалах содержатся химические вещества, которые могут повредить, ослабить или разрушить пластик.
- Не используйте зарядное устройство с поврежденным кабелем питания или вилкой. Это может стать причиной короткого замыкания и поражения электрическим током. В таком случае отремонтируйте или замените зарядное устройство у авторизованного специалиста сервисного центра EGO.
- Не разбирайте зарядное устройство. Если требуется обслуживание или ремонт устройства, передайте его авторизованному специалисту. Неправильная повторная сборка может привести к поражению электрическим током или пожару.
- Для снижения риска поражения электрическим током перед выполнением технического обслуживания или очистки отключите зарядное устройство от электрической розетки.
- Когда зарядное устройство не используется, отсоедините его от источника питания. Это уменьшит риск поражения электрическим током или повреждения зарядного устройства при попадании металлических предметов внутрь. Это также поможет предотвратить повреждение зарядного устройства при скачках напряжения.
- Риск поражения электрическим током. Не касайтесь незаизолированных частей выходного разъема или незаизолированных клемм аккумуляторной батареи.

RU

- **Сохраните данные инструкции.** Регулярно просматривайте их и предоставляйте для ознакомления другим пользователям. Одалживая кому-либо устройство, передайте также данные инструкции для предотвращения неправильного использования и возможных травм.

ВАЖНЫЕ ИНСТРУКЦИИ ПО ТЕХНИКЕ БЕЗОПАСНОСТИ

- **Сохраните данные инструкции.** В данном руководстве содержится важная информация по технике безопасности и использованию устройства для быстрой зарядки 56 В СНХ5500Е.
- **Перед использованием зарядного устройства прочитайте все инструкции и предупреждающие маркировки на нем, аккумуляторе и устройстве, в котором будет использоваться аккумулятор.**

ТЕХНИЧЕСКИЕ ХАРАКТЕРИСТИКИ

Входное напряжение зарядного устройства	220–240 В–50 Гц 550 Вт
Выходное напряжение зарядного устройства	4/8 А 56 В
Время зарядки	Время зарядки ВАХ1500 (1568 Втч): 3,5 ч (быстрая зарядка) 7 ч (обычная зарядка)
Оптимальная температура зарядки	5°C–40°C
Масса зарядного устройства	1,6 кг

ОПИСАНИЕ

ЧАСТИ ЗАРЯДНОГО УСТРОЙСТВА (Рис. А)

1. Кабель питания
2. Выходной разъем
3. Кнопка
4. Индикатор №1 (зеленый)
5. Индикатор №2 (зеленый)
6. Индикатор №3 (красный)
7. Входной разъем
8. Отверстие для крепления на стену
9. Вентиляционное отверстие для охлаждения

ИСПОЛЬЗОВАНИЕ

КАК ЗАРЯЖАТЬ АККУМУЛЯТОР

⚠ ПРЕДУПРЕЖДЕНИЕ. Не используйте зарядное устройство на открытом воздухе, а также под дождем или в условиях повышенной влажности. При попадании воды в зарядное устройство увеличивается риск поражения электрическим током.

ПРИМЕЧАНИЕ. Литий-ионный аккумулятор поставляется частично заряженным. Перед первым использованием его необходимо полностью зарядить.

1. Вставьте отдельный кабель питания во входной разъем (Рис. В).
2. Подключите зарядное устройство к источнику питания (220–240 В/50 Гц).
3. Вставьте разъем аккумулятора в зарядное устройство Рис. С и D.
4. Зарядное устройство установит связь с аккумулятором и определит его состояние.
5. Когда аккумулятор заряжается нормально, на зарядном устройстве мигает зеленый индикатор №2. Если удерживать зеленую кнопку нажатой не менее 1 секунды, режим зарядки переключится с обычного на быстрый, при этом зеленый индикатор №2 погаснет, а зеленый индикатор №1 будет мигать. Вентилятор в зарядном устройстве постоянно работает для охлаждения аккумулятора.
6. Когда аккумулятор полностью зарядится, зеленые индикаторы зарядки перестанут мигать и будут светиться постоянно. Дождитесь остановки охлаждающего вентилятора, извлеките аккумулятор из зарядного устройства и отключите зарядное устройство от электросети.
7. Если оставить аккумулятор в зарядном устройстве, он полностью зарядится, но перезаряда не будет.

ПРИМЕЧАНИЕ

- Если после подключения зарядного устройства к электросети все 3 индикатора не светятся, см. раздел «**НЕИСПРАВНЫЙ АККУМУЛЯТОР ИЛИ ЗАРЯДНОЕ УСТРОЙСТВО**».
- Значительное сокращение времени работы аккумулятора после полной зарядки указывает на то, что срок его службы подходит к концу и его необходимо заменить.
- Зарядное устройство может нагреваться во время зарядки. Это нормально. Заряжайте аккумулятор в хорошо проветриваемом помещении.

RU

ФУНКЦИИ ИНДИКАТОРОВ ЗАРЯДНОГО УСТРОЙСТВА

СВЕТОДИОДНЫЙ ИНДИКАТОР	РАНЦЕВЫЙ АККУМУЛЯТОР		ИНДИКАТОР НА ЗАРЯДНОМ УСТРОЙСТВЕ			ДЕЙСТВИЕ
			ИНДИКАТОР №1 (ЗЕЛЕНЬИЙ)	ИНДИКАТОР №2 (ЗЕЛЕНЬИЙ)	ИНДИКАТОР №3 (КРАСНЬИЙ)	
	Неисправен		○	●	☀	Аккумулятор или зарядное устройство неисправны
	Перегрев	Обычная зарядка	○	☀	●	Зарядка возобновится, когда температура аккумулятора вернется к нормальной.
		Быстрая зарядка	☀	○	●	Зарядка возобновится, когда температура аккумулятора вернется к нормальной.
	Обычная зарядка		○	☀	○	Ток зарядки 4 А
	Быстрая зарядка		☀	○	○	Ток зарядки 8 А
	Полностью заряжен	Обычная зарядка	○	●	○	Зарядка завершена
		Быстрая зарядка	●	○	○	Зарядка завершена
—	Самопроверка выполнена успешно		●	●	●	Зарядное устройство можно использовать для зарядки аккумулятора.

●: Светится ○: Не светится ☀: Мигает

ЗАРЯДКА ГОРЯЧЕГО ИЛИ ХОЛОДНОГО АККУМУЛЯТОРА

Если температура аккумулятора находится за пределами нормального диапазона, светодиод №3 будет светиться красным. Когда аккумулятор остынет примерно до 57 °С или нагреется до 3 °С, зарядное устройство автоматически начнет заряжать его.

НЕИСПРАВНЫЙ АККУМУЛЯТОР ИЛИ ЗАРЯДНОЕ УСТРОЙСТВО

После подключения зарядного устройства к электросети немедленно начнется выполнение процедуры самопроверки.

1. Если самопроверка завершится неудачно, все индикаторы не будут мигать или светиться.

Примечание. Попробуйте заново подключить кабель питания к зарядному устройству и источнику питания. Если индикаторы по-прежнему указывают на неисправность, обратитесь в сервисный центр EGO для выполнения ремонта устройства.

2. Если самопроверка завершится удачно, 3 индикатора будут светиться одновременно в течение 1 секунды. Это означает, что зарядное устройство можно использовать для зарядки аккумулятора. Если в процессе зарядки будет обнаружена неисправность, индикатор №3 будет мигать красным светом либо все индикаторы не будут светиться.
 - Если обнаружена неисправность, извлеките разъем аккумулятора из зарядного устройства, а затем вставьте снова. Если индикаторы по-прежнему указывают на неисправность, попробуйте зарядить другой аккумулятор.

- Если другой аккумулятор заряжается нормально, утилизируйте неисправный аккумулятор (см. инструкции в руководстве для аккумуляторов).
- Если зарядка другого аккумулятора тоже вызывает проблемы, подключайте зарядное устройство к источнику питания до тех пор, пока красный индикатор №3 не погаснет. Если все 3 индикатора по-прежнему не светятся либо индикатор №3 мигает красным, зарядное устройство может быть неисправно.

⚠ ПРЕДУПРЕЖДЕНИЕ. Если устройство неисправно, не пытайтесь использовать его. Это может привести к поражению электрическим током или тяжелым травмам.

ОТВЕРСТИЯ ДЛЯ КРЕПЛЕНИЯ К СТЕНЕ

Зарядное устройство имеет крепежные отверстия для удобного хранения. Закрутите винты в стену на расстоянии 76 мм друг от друга.

ОБСЛУЖИВАНИЕ

⚠ ПРЕДУПРЕЖДЕНИЕ. Во избежание серьезных травм всегда отсоединяйте аккумулятор от устройства перед чисткой или обслуживанием.

⚠ ПРЕДУПРЕЖДЕНИЕ. При ремонте используйте только идентичные запасные части EGO. Использование других запасных частей может привести к возникновению опасной ситуации или повреждению устройства.

⚠ ПРЕДУПРЕЖДЕНИЕ. Не рекомендуется использовать сухой сжатый воздух для чистки зарядного устройства. Если очистку можно выполнить только при помощи сжатого воздуха, всегда используйте защиту для глаз или защитные очки с боковыми щитками. Если во время работы появляется пыль, надевайте респиратор.

⚠ ПРЕДУПРЕЖДЕНИЕ. Если кабель питания поврежден, используйте для его замены только идентичный кабель. Использование неавторизованного кабеля питания может привести к поражению электрическим током или получению травмы.

ОБЩЕЕ ОБСЛУЖИВАНИЕ

Не используйте растворители для очистки пластиковых частей. Большинство пластиковых частей чувствительны к различным бытовым растворителям и могут быть повреждены. Для очистки от грязи, пыли, масла, смазки и т. п. используйте чистую ткань.

⚠ ПРЕДУПРЕЖДЕНИЕ. Не допускайте попадания на пластиковые части тормозной жидкости, бензина, продуктов на нефтяной основе, пропитывающих масел и т. д. Химические вещества могут повредить, ослабить или разрушить пластик, что приведет к получению серьезных травм.

⚠ ПРЕДУПРЕЖДЕНИЕ. При ремонте используйте только идентичные запасные части EGO. Использование других запасных частей может привести к возникновению опасной ситуации или повреждению устройства. Чтобы обеспечить безопасность и надежность устройства, его ремонт должен выполнять квалифицированный специалист сервисного центра EGO.

RU

Защита окружающей среды



Не выбрасывайте электрооборудование, зарядные устройства, батарейки и аккумуляторы вместе с бытовыми отходами!

В соответствии с европейским законом 2012/19/EU электрическое и электронное оборудование, которое не подлежит дальнейшей эксплуатации, а также непригодные и использованные батарейки и аккумуляторы (согласно европейскому закону 2006/66/EC) должны быть утилизированы отдельно.

При утилизации электрических устройств на свалках в подземные воды могут просочиться опасные вещества, которые затем попадут в пищевую цепь и приведут к общему ухудшению здоровья и благополучия.



УСТРАНЕНИЕ НЕПОЛАДК

ПРОБЛЕМА	ПРИЧИНА	РЕШЕНИЕ
Зарядное устройство не работает. Индикатор №3 мигает красным или все индикаторы не светятся.	Аккумулятор или зарядное устройство неисправны или плохо соединены между собой.	<ul style="list-style-type: none">■ Попробуйте извлечь аккумулятор из зарядного устройства, а затем установить его снова.■ Попробуйте зарядить другой аккумулятор.■ Отключите зарядное устройство от электросети, дождитесь, пока красный индикатор перестанет светиться, а затем снова подключите вилку зарядного устройства к источнику питания.
	Слишком частое включение зарядного устройства	<ul style="list-style-type: none">■ Подключите зарядное устройство к источнику питания через 30 секунд после того, как погаснут все индикаторы.
Зарядное устройство не работает и индикатор №3 светится красным.	Аккумулятор слишком горячий или слишком холодный.	<ul style="list-style-type: none">■ Дайте аккумулятору остыть или нагреться до нормальной температуры. Зарядка возобновится, когда температура аккумулятора вернется к нормальной.

RU

ГАРАНТИЯ

ГАРАНТИЙНАЯ ПОЛИТИКА EGO

Посетите веб-сайт egopowerplus.com, чтобы ознакомиться со всеми условиями гарантийной политики EGO.

PRZECZYTAJ WSZYSTKIE INSTRUKCJE!



PRZECZYTAJ INSTRUKCJĘ OPERATORA

Informacja: Niniejsza instrukcja powinna być także dostępna w innym formacie, np. na stronie internetowej.

⚠ Ryzyko resztkowe! Osoby z urządzeniami elektronicznymi, takimi jak rozruszniki serca, powinny przed użyciem produktu skonsultować się ze swoim(i) lekarzem/-ami. Używanie urządzeń elektrycznych blisko rozrusznika serca może spowodować zakłócenia lub uszkodzić rozrusznik.

⚠ OSTRZEŻENIE: Aby zagwarantować bezpieczeństwo i niezawodność, wszystkie naprawy powinny być wykonywane przez wykwalifikowanych techników serwisu.

⚠ OSTRZEŻENIE: Pod warunkiem zapewnienia odpowiedniego nadzoru, pouczenia na temat bezpiecznej obsługi i dopilnowania zrozumienia zagrożeń, urządzenie może być używane przez dzieci w wieku od lat 8, osoby o ograniczeniach fizycznych, czuciowych lub psychicznych, a także osoby, którym brak jest doświadczenia lub wiedzy. Dzieci nie powinny bawić się urządzeniem. Dzieci nie mogą bez nadzoru wykonywać czynności związanych z czyszczeniem i konserwacją.

SYMBOLE BEZPIECZEŃSTWA

Celem symboli bezpieczeństwa jest zwrócenie uwagi użytkownika na możliwe zagrożenia. Symbole bezpieczeństwa i objaśnienia do nich zasługują na to, aby je uważnie przestudiować i zrozumieć. Symbole bezpieczeństwa nie eliminują same z siebie jakichkolwiek zagrożeń. Podawane w nich instrukcje i ostrzeżenia nie zastępują odpowiednich środków zapobiegania wypadkom.

⚠ OSTRZEŻENIE: Przed użyciem narzędzia prosimy przeczytać i zrozumieć wszystkie instrukcje dotyczące bezpieczeństwa podane w podręczniku użytkownika, łącznie z wszystkimi symbolami ostrzegawczymi takimi jak „NIEBEZPIECZEŃSTWO”, „OSTRZEŻENIE” i „UWAGA”. Niestosowanie się do wszystkich podanych niżej instrukcji może doprowadzić do porażenia prądem, pożaru i/lub poważnych obrażeń.

INSTRUKCJE DOTYCZĄCE BEZPIECZEŃSTWA

Na tej stronie pokazano i opisano symbole bezpieczeństwa, które mogą występować na produkcie. Przed podjęciem próby złożenia i użycia urządzenia należy przeczytać i zrozumieć wszystkie instrukcje dotyczące urządzenia oraz zastosować się do nich.

	Ostrzeżenie dotyczące bezpieczeństwa	Środki ostrożności istotne dla bezpieczeństwa użytkownika.
	Przeczytaj instrukcję operatora	Aby ograniczyć ryzyko urazów, użytkownik musi przeczytać instrukcję operatora.
	Użytkowanie w pomieszczeniach	Urządzenia należy używać wyłącznie w pomieszczeniach
	Konstrukcja klasy II	Konstrukcja z podwójną izolacją
T6,3A 	Wkładki topikowe	Miniaturowa wkładka topikowa z opóźnieniem czasowym
	CE	Produkt jest zgodny z obowiązującymi dyrektywami WE.
	UKCA	Produkt jest zgodny z obowiązującym ustawodawstwem Wielkiej Brytanii.
	WEEE	Zużytych urządzeń elektrycznych nie należy wyrzucać razem ze zwykłymi odpadami domowymi. Należy je oddać do autoryzowanego punktu recyklingu.
V	Wolt	Napięcie
A	Ampery	Prąd
Hz	Herc	Częstotliwość (cykli na sekundę)
W	Wat	Moc
min	Minuty	Czas
	Prąd zmienny	Rodzaj prądu
	Prąd stały	Rodzaj lub charakterystyka prądu

⚠ OSTRZEŻENIE: Prosimy przeczytać ze zrozumieniem wszystkie instrukcje. Niestosowanie się do wszystkich podanych niżej instrukcji może doprowadzić do porażenia prądem, pożaru i/lub poważnych obrażeń.

BEZPIECZEŃSTWO W MIEJSCU PRACY

- **Należy dbać o czystość i dobre oświetlenie w miejscu pracy.** Bałagan i złe oświetlenie sprzyjają wypadkom.
- **Ładowarki EGO nie należy używać w miejscach zagrożonych wybuchem, np. w obecności łatwopalnych cieczy, gazów lub pyłów.** Ładowarka wytwarza iskry, które mogą zapalić opary lub pył.

BEZPIECZEŃSTWO ELEKTRYCZNE

- **Ładowarkę należy chronić przed deszczem i wilgocią.** Woda dostająca się do ładowarki zwiększa ryzyko porażenia prądem.

PL

- **Nie należy nadwyřęcać przewodu.** Nigdy nie należy używać przewodu do noszenia lub ciągnięcia ładowarki; nie chwycić za przewód, aby wyjąć wtyczkę z kontaktu. Przewód należy chronić przed gorącym, ropą, ostrymi krawędziami i poruszającymi się częściami. Zapłątane lub uszkodzone przewody zwiększają ryzyko porażenia prądem.
- Ładowarki EGO można używać do ładowania następujących akumulatorów litowo-jonowych EGO:

ŁADOWARKA	AKUMULATORY
CHX5500E	BAX1500

SERWISOWANIE

- **Serwisowanie ładowarki należy powierzyć wykwalifikowanemu serwisantowi. Do naprawy używać wyłącznie części zamiennych identycznych z oryginalnymi.** Zapewni to bezpieczeństwo eksploatacji ładowarki.
- **Podczas serwisowania ładowarki należy używać wyłącznie części zamiennych identycznych z oryginalnymi. Należy przestrzegać zaleceń podanych w części Konserwacja w niniejszej instrukcji.** Używanie części, które nie zostały zatwierdzone przez producenta lub niestosowanie się do instrukcji dotyczących konserwacji stwarza ryzyko porażenia prądem lub urazów.

ZASADY BEZPIECZEŃSTWA DOTYCZĄCE ŁADOWARKI

⚠ UWAGA: Urządzenie nie powinno być używane przez osoby (w tym dzieci) o ograniczeniach fizycznych, czuciowych lub psychicznych, ani osoby bez odpowiedniego doświadczenia lub wiedzy, chyba że opiekun odpowiedzialny za ich bezpieczeństwo nadzoruje wykonywane przez nie czynności lub poinstruował je wcześniej na temat obsługi urządzenia.

- **Przed użyciem ładowarki należy przeczytać wszystkie instrukcje i oznaczenia ostrzegawcze na ładowarce, akumulatorze i produkcie** – zapobiegnie to niewłaściwemu użytkowaniu produktów i ewentualnym urazom lub uszkodzeniom.
- **Nie należy dotykać mokrymi rękoma ładowarki, w tym także jej wtyczki i wyprowadzeń.**

- **Przewód musi być poprowadzony w miejscu, w którym nikt nie będzie na niego stał i w którym nie będzie on stwarzał ryzyka potknięcia się. Przewód nie może być narażony na zetknięcie się z poruszającymi się częściami lub uszkodzenie w inny sposób.** Dzięki temu zmniejszy się ryzyko przypadkowego upadku, który mógłby powodować urazy i uszkodzenie przewodu, a w konsekwencji również porażenie prądem.
- **Przewód i ładowarkę należy chronić przed gorącym, aby nie dopuścić do uszkodzenia obudowy lub podzespołów wewnętrznych.**
- **Nie wolno dopuszczać do tego, aby produkty na bazie nafty, olejów, benzyny itp. zetknęły się z częściami plastikowymi.** Substancje te zawierają chemikalia, które mogą uszkodzić, osłabić lub zniszczyć plastik.
- **Nie należy używać ładowarki z uszkodzonym przewodem lub uszkodzoną wtyczką, gdyż mogłoby to doprowadzić do zwarcia lub porażenia prądem.** W przypadku uszkodzenia ładowarkę należy naprawić lub wymienić wyłącznie w autoryzowanym punkcie serwisowym EGO.
- **Ładowarki nie należy rozmontowywać.** Jeżeli urządzenie wymaga serwisowania lub naprawy, należy je oddać do autoryzowanego punktu serwisowego. Niewłaściwe złożenie po zdemontowaniu grozi porażeniem prądem lub pożarem.
- **Przed próbą wykonania jakichkolwiek czynności konserwacyjnych, aby zmniejszyć ryzyko porażenia prądem, należy wyjąć wtyczkę ładowarki z kontaktu.**
- **Gdy ładowarka nie jest używana, należy ją odłączyć od zasilania.** Zmniejszy to ryzyko porażenia prądem lub uszkodzenia ładowarki w przypadku, gdyby wpadł do niej jakiś metalowy przedmiot. Ponadto zapobiega to uszkodzeniu ładowarki w czasie skoków napięcia.
- **Ryzyko porażenia prądem.** Nie należy dotykać niez izolowanej części łączówki wyjściowej lub niez izolowanych wyprowadzeń akumulatora.
- **Niniejszą instrukcję należy zachować.** Zachęcamy do częstego korzystania z niej. Instrukcja może też posłużyć do przeszkolenia innych osób, które będą używały narzędzia. Jeśli narzędzie zostanie komuś pożyczone, osobie tej należy również udostępnić niniejszą instrukcję, aby zapobiec niewłaściwemu użytkowaniu i możliwym urazom.

WAŻNE INSTRUKCJE DOTYCZĄCE BEZPIECZEŃSTWA

- Niniejszą instrukcję należy zachować. Niniejsza instrukcja zawiera ważne zalecenia dotyczące bezpieczeństwa i obsługi szybkiej ładowarki 56 V CHX5500E.
- Przed użyciem ładowarki należy przeczytać wszystkie instrukcje i oznaczenia ostrzegawcze na ładowarce, akumulatorze i produkcie, w którym akumulator będzie używany.

SPECYFIKACJA

Wejście ładowarki	220-240 V~50 Hz 550 W
Wyjście ładowarki	4/8 A 56 V
Czas ładowania	Czas ładowania ładowarką BAX1500 (1568 Wh): 3,5 h (szybkie ładowanie) 7 h (zwykłe ładowanie)
Optymalna temperatura ładowania	5°C-40°C
Waga ładowarki	1,6 kg

OPIS

POZNAJ SWOJĄ ŁADOWARKĘ (Fig. A)

1. Przewód zasilający
2. Interfejs wyjściowy
3. Przycisk
4. Dioda LED #1 (zielona)
5. Dioda LED #2 (zielona)
6. Dioda LED #3 (czerwona)
7. Interfejs wejściowy
8. Otwór montażowy ścienny
9. Otwory wentylacyjne zapewniające chłodzenia

UŻYTKOWANIE

JAK ŁADOWAĆ AKUMULATOR

▲ OSTRZEŻENIE: Ładowarki nie należy używać na dworze ani narażać na wilgoć lub zamoczenie. Woda dostająca się do ładowarki zwiększa ryzyko porażenia prądem.

UWAGA: Akumulatory litowo-jonowe zostają dostarczone w stanie częściowego naładowania. Przed pierwszym użyciem należy całkowicie naładować akumulator.

1. Włożyć oddzielny przewód zasilający do interfejsu wejściowego (Rys. B).
2. Podłączyć ładowarkę do źródła zasilania (220-240 V/50 Hz).
3. Włożyć wtyczkę akumulatora do ładowarki tak jak na rys. C i D.
4. Ładowarka nawiąże łączność z akumulatorem w celu ustalenia stanu jego naładowania.
5. Podczas zwykłego ładowania akumulatora zielona dioda LED #2 na ładowarce będzie migać. Jeśli zielony przycisk będzie wciśnięty przez co najmniej 1 sekundę, tryb zwykłego ładowania zostanie zmieniony na tryb szybkiego ładowania, zielona dioda LED #2 zgaśnie, a zielona dioda LED #1 będzie migać. Wentylator w ładowarce pracuje przez cały czas chłodząc akumulator.
6. Gdy akumulator zostanie całkowicie naładowany, diody LED sygnalizacji ładowania przestaną migać i zaczną świecić światłem ciągłym. Należy odczekać aż wyłączy się wentylator chłodzący, wyjąć akumulator z ładowarki i odłączyć ładowarkę od zasilania.
7. W przypadku pozostawienia akumulatora na ładowarce akumulator zostanie całkowicie naładowany, ale nie przeladowany.

UWAGA:

- Gdy ładowarka jest podłączona do zasilania w kroku 1, jeżeli 3 diody LED nadal nie świecą, należy zapoznać się z częścią „**USZKODZONY AKUMULATOR LUB USZKODZONA ŁADOWARKA**”.
- Istotnie krótszy czas pracy po pełnym naładowaniu akumulatora oznacza, że akumulator niemal nie nadaje się już do użytkowania i wymaga wymiany.
- Podczas ładowania ładowarka może się nagrzewać. Jest to normalny efekt procesu ładowania. Ładowanie należy przeprowadzać w miejscach dobrze wentylowanych.

FUNKCJE DIOD LED ŁADOWARKI

WSKAŹNIK LED	AKUMULATOR W PLECAKU		DIODA LED NA ŁADOWARCE			DZIAŁANIE
			DIODA LED #1 (ZIELONA)	DIODA LED #2 (ZIELONA)	DIODA LED #3 (CZERWONA)	
	Uszkodzenie		○	●		Uszkodzony akumulator lub ładowarka
	Zbyt wysoka temperatura	Zwykłe ładowanie	○		●	Ładowanie rozpocznie się, gdy bateria akumulatorowa wróci do swojej zwykłej temperatury
		Szybkie ładowanie		○	●	Ładowanie rozpocznie się, gdy bateria akumulatorowa wróci do swojej zwykłej temperatury
	Zwykłe ładowanie		○		○	Ładowanie prądem 4 A
	Szybkie ładowanie			○	○	Ładowanie prądem 8 A
	Całkowicie naładowany	Zwykłe ładowanie	○	●	○	Ładowanie zakończone
		Szybkie ładowanie	●	○	○	Ładowanie zakończone
—	Procedura samokontroli zakończona pomyślnie		●	●	●	Ładowarki można używać do ładowania akumulatora

●: Świeci ○: Nie świeci : Miga

ŁADOWANIE GORĄCEGO LUB ZIMNEGO AKUMULATORA

Jeżeli temperatura akumulatora wykracza poza normalny zakres, dioda LED #3 będzie świeciła na czerwono. Gdy akumulator ostygnie do mniej więcej 57°C lub ogrzeje się do ponad 3°C, ładowarka automatycznie rozpocznie ładowanie.

USZKODZONY AKUMULATOR LUB USZKODZONA ŁADOWARKA

Gdy tylko ładowarka zostanie podłączona do zasilania, natychmiast rozpocznie się procedura samokontroli.

1. Jeśli procedura samokontroli natrafi na usterkę, wszystkie diody LED przestaną migać lub zgasną.

Informacja: Należy spróbować podłączyć przewód zasilający do ładowarki, a potem przewód zasilający do kontaktu. Jeżeli diody LED będą powtórnie sygnalizować „usterkę”, należy skontaktować się z centrum serwisowym EGO w celu dokonania naprawy.

2. Jeżeli procedura samokontroli ładowarki zakończy się pomyślnie, 3 diody LED jednocześnie zaświecą się na 1 s, co oznacza, że ładowarki można będzie używać do ładowania akumulatora. Jeżeli ładowarka wykryje podczas ładowania jakiś problem, dioda LED #3 zacznie migać na czerwono lub wszystkie diody LED zgasną.
 - Jeżeli akumulator zostanie uznany za niesprawny, należy go odłączyć i ponownie podłączyć do ładowarki (wyjąć i włożyć wtyczkę akumulatora). Jeżeli diody LED po raz kolejny sygnalizują stan „niesprawny”, należy spróbować wymienić akumulator.
 - Jeżeli inny akumulator zachowuje się normalnie, uszkodzony akumulator należy zutylizować (patrz zalecenia podane w instrukcji do akumulatora).
 - Jeżeli inny akumulator również sygnalizuje stan „niesprawny”, należy ponownie podłączyć ładowarkę do zasilania i odczekać, aż zgaśnie czerwona dioda #3. Jeśli wszystkie 3 diody LED będą nadal wyłączone lub dioda LED #3 będzie migać na czerwono, wówczas ładowarka może być uszkodzona.

⚠ OSTRZEŻENIE: Gdy usterka akumulatora potwierdzi się, nie zaleca się podejmowania prób naładowania jej, mogłoby to doprowadzić do porażenia prądem lub poważnych urazów.

OTWORY DO MOCOWANIA NA ŚCIANIE

Ładowarka ma otwory do zawieszania umożliwiające wygodne przechowywanie. Śruby należy zainstalować w ścianie w odległości 76 mm od siebie.

KONSERWACJA

⚠ OSTRZEŻENIE: Aby uniknąć poważnych urazów, na czas czyszczenia lub wykonywania prac konserwacyjnych należy zawsze odłączyć od ładowarki akumulator.

⚠ OSTRZEŻENIE: Podczas serwisowania należy używać wyłącznie części zamiennych EGO identycznych z oryginalnymi. Używanie jakichkolwiek innych części stwarza ryzyko i może spowodować usterkę produktu.

⚠ OSTRZEŻENIE: Jako metody czyszczenia ładowarki nie zaleca się używania sprężonego suchego powietrza. Jeśli czyszczenie sprężonym powietrzem jest jedyną możliwą metodą, wówczas na czas czyszczenia ładowarki należy zakładać gogle ochronne lub okulary ochronne z osłonami bocznymi. Jeżeli praca powoduje pylenie, należy zakładać także maskę przeciwpyłową.

⚠ OSTRZEŻENIE: Jeżeli przewód zasilający jest uszkodzony, należy używać wyłącznie przewodu identycznego typu. Użycie przewodu zasilającego niedozwolonego typu grozi porażeniem prądem i urazami.

KONSERWACJA OGÓLNA

Podczas czyszczenia części plastikowych należy unikać używania rozpuszczalników. Pod wpływem kontaktu z różnego rodzaju rozpuszczalnikami dostępnymi w handlu większość tworzyw może ulec uszkodzeniu. Do usuwania zabrudzeń, kurzu, oleju, smaru itp. należy używać czystych ściereczek.

⚠ OSTRZEŻENIE: Nigdy nie należy dopuszczać do zetknięcia się części plastikowych z substancjami takimi jak płyn hamulcowy, benzyna, produkty ropopochodne, oleje penetrujące itp. Substancje chemiczne mogą uszkodzić, osłabić lub zniszczyć tworzywa, co może w konsekwencji spowodować poważne obrażenia.

⚠ OSTRZEŻENIE: Podczas serwisowania należy używać wyłącznie części zamiennych EGO identycznych z oryginalnymi. Używanie jakichkolwiek innych części stwarza ryzyko i może spowodować usterkę produktu. Aby zagwarantować bezpieczeństwo i niezawodność, wszystkie naprawy powinny być wykonywane przez wykwalifikowanych serwisantów w punkcie serwisowym EGO.

Ochrona środowiska



Urządzeń elektrycznych, ładowarki do akumulatorów oraz akumulatorów/baterii akumulatorowych nie należy wyrzucać do zwykłych zmieszanych śmieci domowych!

Zgodnie z dyrektywami Wspólnoty Europejskiej, odpowiednio nr 2012/19/UE i 2006/66/WE, urządzenia elektryczne i elektroniczne nienadające się dłużej do użycia oraz uszkodzone lub zużyte akumulatory/baterie trzeba zbierać oddzielnie.

Wyrzucanie urządzeń elektrycznych na wysypisko grozi wyciekami niebezpiecznych substancji do wód gruntowych i przedostaniem się ich do łańcucha pokarmowego, ze szkodą dla zdrowia i jakości życia użytkownika.

PL

ROZWIĄZYWANIE PROBLEMÓW

PROBLEM	PRZYCZYNA	ROZWIĄZANIE
Ładowarka nie działa. Dioda LED #3 miga na czerwono lub wszystkie diody LED gasną.	Akumulator lub ładowarka jest uszkodzony/-a lub są do siebie źle podłączone.	<ul style="list-style-type: none">■ Spróbować wyjąć akumulator i włożyć go ponownie do ładowarki.■ Spróbować naładować inny akumulator.■ Odłączyć ładowarkę i odczekać, aż zgaśnie dioda LED, a następnie ponownie podłączyć wtyczkę do zasilania.
	Zbyt częste wyłączenie się ładowarki.	<ul style="list-style-type: none">■ Podłączyć ładowarkę do zasilania po 30 s od momentu zgaśnięcia wszystkich diod LED.
Ładowarka nie działa i dioda LED #3 świeci na czerwono.	Akumulator jest zbyt gorący lub zbyt zimny.	<ul style="list-style-type: none">■ Pozwolić akumulatorowi wrócić do normalnej temperatury. Ładowanie rozpocznie się, gdy bateria akumulatorowa wróci do swojej zwykłej temperatury.

GWARANCJA

POLITYKA GWARANCYJNA EGO

PL

W celu zapoznania się z wszystkimi warunkami polityki gwarancyjnej EGO prosimy odwiedzić stronę egopowerplus.com.

PŘEČTĚTE SI VŠECHNY POKYNY!



PŘEČTĚTE SI NÁVOD K OBSLUZE

Poznámka: Tyto pokyny jsou k dispozici také v jiném formátu, např. na webových stránkách.

⚠️ Potenciální riziko! Lidé s elektronickými přístroji, jako jsou např. kardiostimulátory, by se měli před použitím toho výrobku poradit se svým lékařem. Použití elektrického zařízení v těsné blízkosti kardiostimulátoru může způsobit narušení činnosti nebo poruchu kardiostimulátoru.

⚠️ VAROVÁNÍ: Z důvodu bezpečnosti by měl všechny opravy provádět kvalifikovaný servisní technik.

⚠️ VAROVÁNÍ: Toto zařízení mohou používat děti od 8 let a osoby s omezenými fyzickými, smyslovými nebo duševními schopnostmi nebo nedostatkem zkušeností a znalostí, pokud jsou tyto osoby pod dohledem, nebo byly řádně poučeny ohledně použití zařízení bezpečným způsobem a chápou možná rizika spojená s jeho používáním. Děti si nesmí s přístrojem hrát. Čištění a údržbu nesmějí provádět děti, pokud nejsou pod dohledem dospělé osoby.

BEZPEČNOSTNÍ SYMBOLY

Účelem bezpečnostních symbolů je upoutat vaši pozornost k případným nebezpečím. Bezpečnostní symboly a jejich vysvětlení vyžadují vaši zvýšenou pozornost a porozumění. Výstražné symboly samy o sobě nevyklučují žádné nebezpečí. Pokyny a varování nejsou náhradou vhodných opatření pro prevenci úrazů.

⚠️ VAROVÁNÍ: Před použitím tohoto nástroje si přečtěte a seznamte se se všemi bezpečnostními pokyny v tomto návodu k obsluze včetně veškerých výstražných symbolů jako např. „NEBEZPEČÍ“, „VAROVÁNÍ“ a „UPOZORNĚNÍ“. Nedodržení níže uvedených pokynů může mít za následek úraz elektrickým proudem, požár nebo vážná poranění osob.

BEZPEČNOSTNÍ POKYNY

Na této stránce jsou zobrazeny a popsány bezpečnostní symboly, které se mohou objevit na výrobku. Před montáží a provozem si přečtěte, seznamte se a dodržujte veškeré pokyny ke stroji.

	Bezpečnostní upozornění	Bezpečnostní opatření týkající se vaší bezpečnosti
	Přečtěte si návod k obsluze	Z důvodu snížení rizika úrazu si musí uživatel přečíst návod k obsluze.
	Použití v interiéru	Toto zařízení používejte výhradně v interiéru
	Konstrukce třídy II	Dvojitě izolovaná konstrukce
T6,3A 	Tavné pojistky	Miniaturní tavná pojistka s tepelným jištěním
	CE	Tento výrobek je v souladu s platnými směrnici ES.
	UKCA	Tento výrobek je v souladu s příslušnou britskou legislativou.
	WEEE	Odpadní elektrické výrobky se nesmí likvidovat s domovním odpadem. Odevzdejte do autorizovaného recyklačního střediska.
V	Voltů	Napětí
A	Ampérů	Proud
Hz	Hertz	Frekvence (počet cyklů za sekundu)
W	Watt	Napájení
min	Minut	Čas
	Střídavý proud	Druh proudu
	Stojnosměrný proud	Druh nebo vlastnosti proudu

⚠️ VAROVÁNÍ: Přečtěte si a seznamte se se všemi pokyny. Nedodržení níže uvedených pokynů může mít za následek úraz elektrickým proudem, požár nebo vážná poranění osob.

BEZPEČNOST NA PRACOVÍŠTI

- **Udržujte pracovní prostor v čistotě a dobře osvětlený.** Nepořádek nebo neosvětlené pracovní oblasti mohou vést k úrazům.
- **Nabíječku EGO nepoužívejte ve výbušném prostředí, např. s výskytem hořlavých kapalin, plynů nebo prachu.** Nabíječka je zdrojem jiskření, které může zapálit prach nebo výpary.

ELEKTRICKÁ BEZPEČNOST

- **Nabíječku chraňte před deštěm a vlhkem.** Voda vnikající do nabíječky zvyšuje riziko úrazu elektrickým proudem.

GZ

- **Nezatěžujte kabel.** Nikdy nepoužívejte kabel k přenášení, tahání nebo odpojování nabíječky z elektrické sítě. Kabely chraňte před horkem, olejem, ostrými hranami nebo pohyblivými díly. Poškozené nebo spletené kabely zvyšují riziko úrazu elektrickým proudem.
- Nabíječku EGO lze použít k nabíjení následujících lithium-iontových akumulátorů EGO:

NABÍJEČKA	AKUMULÁTOR
CHX5500E	BAX1500

SERVIS

- **Servis vaší nabíječky svěřte kvalifikovanému opraváři, který používá pouze originální náhradní díly.** Tím zajistíte bezpečnost nabíječky.
- **Při opravě nabíječky používejte pouze originální náhradní díly. Řiďte se pokyny v části tohoto návodu věnované údržbě.** Použití neschválených dílů nebo nedodržení pokynů k údržbě může vyvolat riziko úrazu elektrickým proudem nebo úrazu.

CZ

BEZPEČNOSTNÍ ZÁSADY PRO POUŽITÍ NABÍJEČKY

⚠ POZOR: Zařízení není určeno pro používání osobami (včetně dětí) s omezenými fyzickými, smyslovými nebo duševními schopnostmi nebo nedostatkem zkušeností a znalostí, pokud tyto osoby nejsou pod dohledem nebo nejsou řádně poučeny odpovědnou osobou o bezpečném používání zařízení.

- **Před použitím nabíječky akumulátorů si přečtěte všechny pokyny a varovné symboly v tomto návodu, na nabíječce, akumulátoru a výrobku, aby nedošlo k nesprávnému použití výrobků a případnému úrazu nebo škodám.**
- **Nedotýkejte se nabíječky, zástrčky ani kontaktů nabíječky mokřkýma rukama.**
- **Dbejte, aby byl kabel umístěn tak, aby se na něj nestoupalo, nezakoplo o něj, nepřišel do styku s ostrými hranami nebo pohyblivými částmi, nebo nebyl vystaven jinému poškození nebo namáhání.** Sníží se tak riziko neúmyslných pádů, které mohou způsobit úraz nebo poškodit kabel, což může následně vést k úrazu elektrickým proudem.
- **Chraňte kabel a nabíječku před teplem, aby nedošlo k poškození pouzdra nebo vnitřních částí.**

- **Dbejte, aby nedošlo ke styku plastových částí s benzínem, oleji, ropnými produkty atd.** Tyto materiály obsahují chemické látky, které mohou poškodit, zeslabit nebo zničit plast.
- **Nepoužívejte nabíječku s poškozeným kabelem nebo poškozenou zásuvkou, což může způsobit zkrat a úraz elektrickým proudem.** V případě poškození nechejte nabíječku opravit nebo vyměnit autorizovaným servisním technikem v servisním středisku společnosti EGO.
- **Nabíječku nerozebírejte.** Pokud potřebuje servis nebo opravu, odneste ji autorizovanému servisnímu technikovi. Nesprávná montáž může způsobit úraz elektrickým proudem nebo požár.
- **Před údržbou nebo čištěním odpojte nabíječku z elektrické zásuvky, aby se snížilo riziko úrazu elektrickým proudem.**
- **Pokud nabíječku nepoužíváte, odpojte ji z elektrické sítě.** Sníží se tím riziko úrazu elektrickým proudem nebo poškození nabíječky, pokud do otvoru spadnou kovové předměty. Zabráníte tím také poškození nabíječky při přepětí.
- **Nebezpečí úrazu elektrickým proudem.** Nedotýkejte se neizolovaných částí výstupního konektoru nebo neizolovaného pólu akumulátoru.
- **Tyto pokyny uschovejte pro budoucí použití.** Používejte je často a také k poučení dalších osob, které mohou toto nářadí používat. Pokud nářadí někomu půjčíte, půjčte mu také tento návod k obsluze, aby nedošlo k nesprávnému použití výrobků nebo případně k úrazu.

DŮLEŽITÉ BEZPEČNOSTNÍ POKYNY

- **Tyto pokyny uschovejte pro budoucí použití.** Tento návod obsahuje důležité bezpečnostní a provozní pokyny pro 56V rychlonabíječku CHX5500E.
- **Před použitím nabíječky akumulátorů si přečtěte všechny pokyny a varovné symboly na nabíječce akumulátorů, akumulátoru a výrobku, který akumulátor používá.**

SPECIFIKACE

Vstup nabíječky	220-240 V~50 Hz 550 W
Výstup nabíječky	4/8 A 56 V
Doba nabíjení	Nabíjení BAX1500 (1568 Wh): 3,5 h (rychlé nabíjení) 7 h (normální nabíjení)
Optimální teplota nabíjení	5°C-40°C
Hmotnost nabíječky	1,6 kg

POPIS

Seznamte se s vaší nabíječkou (Obr. A)

1. Napájecí kabel
2. Výstupní rozhraní
3. Tlačítko
4. 1# LED (zelená)
5. 2# LED (zelená)
6. 3# LED (červená)
7. Vstupní rozhraní
8. Závěsný otvor
9. Ventilační otvor

OBSLUHA

JAK NABÍT AKUMULÁTOR

VAROVÁNÍ: Nabíječku nepoužívejte venku ani ji nevystavujte mokrému nebo vlhkému prostředí. Voda vnikající do nabíječky zvyšuje riziko úrazu elektrickým proudem.

POZNÁMKA: Lithium-iontové akumulátory se dodávají částečně nabitě. Před prvním použitím akumulátor plně nabijte.

1. Vložte samostatný napájecí kabel do vstupního rozhraní (obr. B).
2. Zapojte nabíječku do elektrické sítě (220–240 V/50 Hz).
3. Vložte zástrčku akumulátoru do nabíječky, jak je znázorněno na obrázku C & D.

4. Nabíječka bude komunikovat s akumulátorem z důvodu vyhodnocení stavu akumulátorů.
5. Když se akumulátor nabíjí, bude zelená 2# LED kontrolka na nabíječce blikat. Pokud stisknete zelené tlačítko po dobu nejméně 1 sekundy, normální nabíjení se změní na rychlé nabíjení a zelená 2# LED zhasne a zelená 1# LED bliká. Ventilátor v nabíječce průběžně pracuje a ochlazuje akumulátor.
6. Když je akumulátor zcela nabitý, LED kontrolky nabíjení přestanou blikat a rozsvítí se zeleně. Počkejte, až se chladicí ventilátor zastaví, vyjměte akumulátor z nabíječky a odpojte ji z elektrické sítě.
7. Pokud necháte akumulátor v nabíječce, plně se nabije, ale nepřebije se.

POZNÁMKA:

- Je-li nabíječka připojena k napájecímu zdroji v kroku 1 a pokud 3 LED diody stále svítí, přečtěte si část „**VADNÝ AKUMULÁTOR NEBO NABÍJEČKA**“.
- Výrazně zkrácená doba provozu po plném nabití akumulátoru ukazuje, že je akumulátor téměř na konci své životnosti a musí se vyměnit.
- Nabíječka se může během nabíjení zahřívát. Je to součástí běžného provozu nabíječky. Nabíjejte na dobře větraném místě.

GZ

FUNKCE LED KONTROLEK NABÍJEČKY

LED KONTROLKA	BATOHOVÝ AKU- MULÁTOR		LED NA NABÍJEČCE			FUNKCE
			1# LED (ZELENÁ)	2# LED (ZELENÁ)	3# LED (ČERVENÁ)	
	Vadný		○	●		Akumulátor v nabíječce nebo nabíječka jsou vadné.
	Přehřátí	Normální nabíjení	○		●	Nabíjení začne, když se akumulátor vrátí na normální teplotu.
		Rychlé nabíjení		○	●	Nabíjení začne, když se akumulátor vrátí na normální teplotu.
	Normální nabíjení		○		○	4 A nabíjení
	Rychlé nabíjení			○	○	8 A nabíjení
	Plně nabitá	Normální nabíjení	○	●	○	Nabíjení je dokončeno
		Rychlé nabíjení	●	○	○	Nabíjení je dokončeno
—	Úspěšná vlastní kontrola		●	●	●	Nabíječku lze použít k nabíjení baterie

●: Zap ○: Vyp : Bliká

NABÍJENÍ HORKÉHO NEBO STUDENÉHO AKUMULÁTORU

Pokud se akumulátor ocitne mimo běžné rozmezí teplot, rozsvítí se 3# LED červeně. Jakmile se akumulátor zchladí na přibližně 57 °C, nebo se zahřeje na více než 3 °C, zahájí nabíječka automaticky nabíjení.

VADNÝ AKUMULÁTOR NEBO VADNÁ NABÍJEČKA

Jakmile se nabíječka připojí k napájecímu zdroji, nabíječka okamžitě zahájí vlastní kontrolu.

1. Pokud vlastní kontrola je neúspěšná, nebude svítit nebo blikat žádná LED kontrolka.

Poznámka: Zkuste znovu postupně připojit napájecí kabel do nabíječky a napájecího zdroje. Pokud LED stále odečítají „poruchu“, kontaktujte středisko EGO a nechte si opravit nabíječku.

2. Pokud nabíječka projde kontrolou, 3 LED diody svítí současně po dobu 1 s, což znamená, že nabíječka může být použita k nabíjení akumulátoru. Pokud nabíječka během nabíjení detekuje problém, začne 3# LED kontrolka blikat červeně, nebo všechny LED kontrolky zhasnou.

- Pokud je akumulátor označen jako vadný, vyjměte a znovu připojte konektor akumulátoru do nabíječky. Pokud LED kontrolky signalizují „vadný“ i podruhé, zkuste nabít jiný akumulátor.
- Pokud se jiný akumulátor nabíjí normálně, zlikvidujte vadný akumulátor (viz pokyny v návodu k akumulátoru).
- Pokud je jiný akumulátor také označen jako „vadný“, znovu připojte nabíječku k napájení, dokud červená kontrolka 3# LED nezhasne. Pokud všechny 3 LED nesvítí nebo 3# LED bliká červeně, může být vadná nabíječka.

VAROVÁNÍ: Nedoporučuje se pokračovat v nabíjení, když nabíječka byla potvrzena jako vadná, protože to může způsobit úraz elektrickým proudem nebo dokonce vážné zranění.

ZÁVĚSNÉ OTVORY

Nabíječka je vybavena závěsnými otvory pro praktické skladování. Našroubujte do stěn šrouby ve vzdálenosti 76 mm od sebe.

ÚDRŽBA

VAROVÁNÍ: Aby nedošlo k vážnému úrazu, vždy při čištění nebo jiné údržbě odpojte akumulátor z nabíječky.

VAROVÁNÍ: Při opravách používejte pouze originální náhradní díly společnosti EGO. Použití jiných dílů může být rizikem nebo způsobit poškození výrobku.

VAROVÁNÍ: K čištění nabíječky se nedoporučuje používat suchý stlačený vzduch. Pokud je čištění stlačeným vzduchem jedinou alternativou, vždy při čištění nabíječky používejte ochranné brýle nebo ochranné brýle s bočními kryty. Pokud při použití vzniká prach, noste protiprachový respirátor.

VAROVÁNÍ: Pokud je napájecí kabel poškozen, používejte pouze stejný napájecí kabel. Použití neschváleného napájecího kabelu může vyvolat riziko úrazu elektrickým proudem nebo úrazu.

CELKOVÁ ÚDRŽBA

K čištění plastových dílů nepoužívejte rozpouštědla. Většina plastů je náchylná k poškození různými typy komerčních rozpouštědel a jejich použití je může poškodit. K odstranění nečistot, prachu, oleje, maziva atd. použijte čistý hadr.

VAROVÁNÍ: Dbejte, aby nikdy nedošlo ke styku plastových částí s brzdovými kapalinami, benzínem, ropnými produkty, penetračními oleji atd. Chemické látky mohou poškodit, zeslabit nebo poškodit plast, což může vést k vážnému úrazu.

VAROVÁNÍ: Při opravách používejte pouze originální náhradní díly společnosti EGO. Použití jiných dílů může být rizikem nebo způsobit poškození výrobku. Z důvodu bezpečnosti by měl všechny opravy provádět kvalifikovaný servisní technik v servisním středisku společnosti EGO.

Ochrana životního prostředí



Elektrické zařízení, nabíječku a baterie/nabíjecí baterie nevhazujte do domovního odpadu!

Podle směrnice Evropského parlamentu a Rady 2012/19/EU se musí odpadní elektrická a elektronická zařízení a podle směrnice 2006/66/ES vadné nebo použité akumulátory/baterie sbírat odděleně.

Pokud se elektrická zařízení likvidují na zavážkách nebo skládkách, mohou do podzemní vody prosáknout nebezpečné látky, dostat se do potravního řetězce a poškodit tak vaše zdraví a zdravotní stav.

GZ

ODSTRAŇOVÁNÍ ZÁVAD

PROBLÉM	PŘÍČINA	ŘEŠENÍ
Nabíječka nefunguje. 3# LED 1 bliká červeně, nebo všechny LED kontrolky zhasly.	Akumulátor nebo nabíječka jsou vadné, nebo je špatný kontakt mezi akumulátorem a nabíječkou.	<ul style="list-style-type: none">■ Pokuste se vyjmout a znovu nasadit akumulátor do nabíječky.■ Zkuste nabít jiný akumulátor.■ Odpojte nabíječku z elektrické sítě a počkejte, až zhasne červená LED kontrolka, a pak ji znovu zapojte.
	Přepínáte nabíječku příliš často	<ul style="list-style-type: none">■ Po uplynutí 30 s připojte nabíječku k napájení, protože všechny LED diody zhasly.
Nabíječka nefunguje a 3# LED kontrolka svítí červeně.	Akumulátor je příliš horký nebo studený.	<ul style="list-style-type: none">■ Nechejte akumulátor, aby dosáhl běžné teploty. Nabíjení začne, když se akumulátor vrátí na normální teplotu.

ZÁRUKA

ZÁRUKA SPOLEČNOSTI EGO

Úplné záruční podmínky společnosti EGO naleznete na webové stránce egopowerplus.com.

CZ

PREČÍTAJTE SI VŠETKY POKYNY!



PREČÍTAJTE SI NÁVOD NA OBSLUHU.

Poznámka: Tieto pokyny sú tiež k dispozícii aj v inom formáte, napr. na internetových stránkach.

⚠ Potenciálne riziká! Ľudia s elektronickými zariadeniami, ako sú napríklad kardiostimulátory, sa musia pred použitím tohto výrobku poradiť so svojim lekárom. Použitie elektrických zariadení v tesnej blízkosti kardiostimulátora by mohlo spôsobiť rušenie alebo zlyhanie kardiostimulátora.

⚠ VAROVANIE: Pre zaistenie bezpečnosti a spoľahlivosti je nevyhnutné, aby všetky opravy vykonával len kvalifikovaný servisný technik.

⚠ VAROVANIE: Tento spotrebič môžu používať deti od 8 rokov a osoby s obmedzenými fyzickými, zmyslovými alebo duševnými schopnosťami alebo nedostatkom skúseností a znalostí, ak sú pod dohľadom, alebo boli riadne poučené ohľadne použitia spotrebiča bezpečným spôsobom a chápu možné riziká spojené s jeho používaním. Deti sa nesmú so zariadením hrať. Čistenie a údržbu nesmú robiť deti, ak nie sú pod dohľadom dospelé osoby.

BEZPEČNOSTNÉ SYMBOLY

Účelom bezpečnostných symbolov je upozorniť vás na možné nebezpečenstvá. Venujte príslušnú pozornosť a pochopte bezpečnostné symboly a ich vysvetlenia. Varovné symboly, samy o sebe, nedokážu eliminovať nebezpečenstvo. Pokyny a varovania, ktoré obsahujú, nie sú náhradou za vhodné opatrenia na prevenciu úrazov.

⚠ VAROVANIE: Pred použitím tohto nástroja si prečítajte a pochopte všetky bezpečnostné pokyny v tomto návode na obsluhu, vrátane všetkých bezpečnostných výstražných symbolov, ako sú „NEBEZPEČENSTVO“, „VAROVANIE“ a „UPOZORNENIE“. Nedodržanie nižšie uvedených pokynov môže mať za následok úraz elektrickým prúdom, požiar a/alebo vážne zranenie.

BEZPEČNOSTNÉ POKYNY

Táto strana zobrazuje a popisuje bezpečnostné symboly, ktoré sa objavujú na tomto výrobku. Pred pokusom o zostavenie a prevádzkovanie si prečítajte, pochopte a dodržiavajte všetky pokyny na stroji.

	Bezpečnostné upozornenie	Opatrenia, ktoré sa týkajú vašej bezpečnosti
	Prečítajte si návod na obsluhu.	Ak chcete znížiť riziko zranenia, musíte si prečítať návod na obsluhu.
	Vnútorané použitie	Používajte toto zariadenie iba v interiéri
	Konštrukcia triedy II	Konštrukcia s dvojitzou izoláciou
T6,3A 	Tavné poistky	Tavná poistka s časovým oneskorením
	CE	Tento výrobok je v súlade s platnými smernicami ES.
	UKCA	Tento výrobok je v súlade s príslušnou britskou legislatívou.
	WEEE	Nepotrebné elektrické výrobky sa nesmú likvidovať spolu s domovým odpadom. Odovzdajte do autorizovaného recyklačného strediska.
V	Volt	Napätie
A	Ampéry	Prúd
Hz	Hertz	Frekvencia (cyklov za sekundu)
W	Watt	Výkon
min	Minúty	Čas
	Striedavý prúd	Typ prúdu
	Jednosmerný prúd	Typ alebo charakteristika prúdu

⚠ VAROVANIE: Prečítajte si a dodržiavajte všetky pokyny. Nedodržanie nižšie uvedených pokynov môže mať za následok úraz elektrickým prúdom, požiar a / alebo vážne zranenie.

BEZPEČNOSŤ PRACOVISKA

- **Udržiavajte pracovisko čisté a dobre osvetlené.** Neporiadok a tmavé priestory vedú k úrazom.
- **Nepoužívajte nabíjačku EGO vo výbušnom prostredí, napríklad v prítomnosti horľavých kvapalín, plynov alebo prachu.** Nabíjačka môže vytvárať iskry, ktoré môžu zapáliť prach alebo výpary.

ELEKTRICKÁ BEZPEČNOSŤ

- **Nevystavujte nabíjačku dažďu alebo vlhkým podmienkam.** Voda, ktorá vnikne do nabíjačky, zvyšuje nebezpečenstvo úrazu elektrickým prúdom.

SK

- **Nepoužívajte kábel nesprávnym spôsobom.** Nikdy nepoužívajte kábel na nosenie, ťahanie alebo odpájanie nabíjačky. Udržujte kábel v dostatočnej vzdialenosti od zdrojov tepla, oleja, ostrých hrán alebo pohyblivých častí. Poškodené alebo zamotané káble zvyšujú riziko úrazu elektrickým prúdom.
- Nabíjačka EGO môže nabíjať lítium-iónové akumulátory EGO uvedené nižšie:

NABÍJAČKA	AKUMULÁTOROVÁ BATÉRIA
CHX5500E	BAX1500

OPRAVA

- **Nechajte vašu nabíjačku opraviť kvalifikovanou osobou s použitím iba identických náhradných dielov.** Tým sa zabezpečí, že bezpečnosť nabíjačky zostane zachovaná.
- **Pri servise nabíjačky používajte iba identické náhradné diely. Postupujte podľa pokynov v kapitole Údržba tohto návodu.** Použitie neautorizovaných dielov alebo nedodržanie pokynov na údržbu môže vytvoriť nebezpečenstvo úrazu elektrickým prúdom alebo zranenie.

SK

BEZPEČNOSTNÉ PRAVIDLÁ PRE NABÍJAČKY

⚠ UPOZORNENIE: Prístroj nie je určený na používanie osobami (vrátane detí) s obmedzenými fyzickými, zmyslovými alebo duševnými schopnosťami alebo nedostatkom skúseností a znalostí, ak tieto osoby nie sú pod dohľadom alebo nie sú riadne poučené, čo sa týka použitia prístroja, zo strany osoby zodpovednej za ich bezpečnosť.

- **Pred použitím nabíjačky si prečítajte všetky pokyny a varovné symboly v tomto návode na obsluhu a na nabíjačke, batérii a na výrobku,** aby sa zabránilo zneužitiu výrobkov a možnému zraneniu alebo poškodeniu.
- **Nesiahajte s mokrymi rukami na nabíjačku, vrátane konektora alebo terminálov nabíjačky.**
- **Zabezpečte, aby kábel bol umiestnený tak, že nebude možné naň šliapať, zakopnúť o neho, nepríde do kontaktu s ostrými hranami alebo pohyblivými časťami, inak by mohlo dôjsť k jeho poškodeniu alebo namáhaniu.** Tým sa zníži riziko náhodných pádov, ktoré by mohli spôsobiť zranenie a poškodenie kábla, čo by následne mohlo viesť k úrazu elektrickým prúdom.
- **Chrňte kábel a nabíjačku pred pôsobením vysokého tepla, aby nedošlo k poškodeniu krytu alebo vnútorných súčastí.**

- **Nedovoľte, aby benzín, oleje, ropné produkty atď. prišli do kontaktu s plastovými časťami.** Tieto materiály obsahujú chemikálie, ktoré môžu poškodiť, oslabiť alebo zničiť plast.
- **Neprevádzkujte nabíjačku s poškodeným káblom alebo zástrčkou, pretože by to mohlo spôsobiť skrat a úraz elektrickým prúdom.** V prípade poškodenia nechajte nabíjačku opraviť alebo vymeniť autorizovaným servisným technikom v servisnom centre EGO.
- **Nabíjačku nerozoberajte.** Odnesť ju autorizovanému servisnému technikovi v prípade, že je nevyhnutný servis alebo oprava. Nesprávne zmontovanie môže spôsobiť úraz elektrickým prúdom alebo požiar.
- **Pred začatím akejkoľvek údržby alebo čistenia, za účelom zníženia rizika úrazu elektrickým prúdom, odpojte nabíjačku od elektrickej zásuvky.**
- **Keď nabíjačku nepoužívate, odpojte ju od elektrickej siete.** Tým sa zníži riziko úrazu elektrickým prúdom a poškodenie nabíjačky, ak by kovové predmety spadli do otvoru. Tiež sa tým zabráni poškodeniu nabíjačky pri prepätí.
- **Nebezpečenstvo úrazu elektrickým prúdom!** Nedotýkajte sa neizolovanej časti výstupného konektora alebo neizolovaných batériových svoriek.
- **Odložte si tieto pokyny.** Používajte ich často a používajte ich tiež na poučenie ostatných, ktorí môžu tento nástroj používať. Ak požičiate tento nástroj niekomu inému, požičajte mu aj tieto pokyny, aby sa zabránilo zneužitiu výrobku a prípadným zraneniam.

DÔLEŽITÉ BEZPEČNOSTNÉ POKYNY

- **Odložte si tieto pokyny.** Tento návod obsahuje dôležité bezpečnostné a prevádzkové pokyny pre 56 V rýchlonabíjačku CHX5500E.
- **Pred použitím nabíjačky si prečítajte všetky pokyny a varovné symboly na nabíjačke, batérii a výrobku, ktorý batéria bude poháňať.**

TECHNICKÉ ÚDAJE

Vstup nabíjačky	220-240 V~50 Hz 550 W
Výstup nabíjačky	4/8 A 56 V
Doba nabíjania	Nabíjanie BAX1500 (1568 Wh): 3,5 h (Rýchle nabíjanie) 7 h (Normálne nabíjanie)
Optimálna teplota nabíjania	5°-40°C
Hmotnosť nabíjačky	1,6 kg

POPIS

ZOZNÁMTE SA S VAŠOU NABÍJAČKOU (Obr. A)

1. Napájací kábel
2. Výstupné rozhranie
3. Tlačidlo
4. 1# LED (Zelená)
5. 2# LED (Zelená)
6. 3# LED (Červená)
7. Vstupné rozhranie
8. Otvor pre montáž na stenu
9. Chladiaci vzduchový otvor

OVLÁDANIE

AKO NABÍJAŤ AKUMULÁTOR

VAROVANIE: Nepoužívajte nabíjačku vonku a nevystavujte ju mokrým alebo vlhkým podmienkam. Voda, ktorá vnikne do nabíjačky, zvyšuje nebezpečenstvo úrazu elektrickým prúdom.

POZNÁMKA: Litium-iónové akumulátory sa dodávajú čiastočne nabité. Pred prvým použitím akumulátor úplne nabite.

1. Vložte samostatný napájací kábel do vstupného rozhrania (obr. B).
2. Zapojte nabíjačku do elektrickej siete (220-240 V/50 Hz).

3. Vložte zástrčku akumulátora do nabíjačky, ako je znázornené na obrázkoch C a D.
4. Nabíjačka začne komunikovať s akumulátorom na vyhodnotenie stavu batérie.
5. Keď sa batéria nabíja, na nabíjačke bliká zelená 2# LED. Ak stlačíte zelené tlačidlo aspoň na 1 sekundu, normálne nabíjanie sa zmení na rýchle nabíjanie a zelená 2# LED zhasne a zelená 1# LED bliká. Ventilátor v nabíjačke priebežne pracuje a ochladzuje akumulátor.
6. Keď je akumulátor plne nabitý, nabíjacie zelené LED prestanú blikáť a budú svietiť nepretržite zeleno. Počkajte, až sa zastaví chladiaci ventilátor, vyberte akumulátor z nabíjačky a odpojte nabíjačku od elektrickej siete.
7. Ak akumulátor zostane v nabíjačke, úplne sa nabije, avšak nebude sa prebijať.

POZNÁMKA:

- Keď je nabíjačka pripojená k napájacímu zdroju v kroku 1 a ak tri LED diódy stále zostávajú nerozsvietené, pozrite si časť „**CHYBNÝ AKUMULÁTOR ALEBO NABÍJAČKA**“.
- Výrazne skrátená doba chodu po plnom nabití akumulátora znamená, že batérie sú takmer na konci svojej životnosti a musia byť vymenené.
- Nabíjačka sa môže počas nabíjania zahrievať. To je súčasťou bežnej prevádzky nabíjačky. Nabíjanie v dobre vetranom priestore.

SK

FUNKCIE LED NA NABIJAČKE

LED KONTROLKA	BATOHOVÝ AKU- MULÁTOR		LED NA NABIJAČKE			AKCIA
			1# LED (ZELENÁ)	2# LED (ZELENÁ)	3# LED (ČERVENÁ)	
	Chybná		○	●		Akumulátor alebo nabijačka sú chybné.
	Prehriatie	Normálne nabíjanie	○		●	Nabíjanie začne, keď sa akumulátor vráti na normálnu teplotu.
		Rýchle nabíjanie		○	●	Nabíjanie začne, keď sa akumulátor vráti na normálnu teplotu.
	Normálne nabíjanie		○		○	4 A nabíjanie
	Rýchle nabíjanie			○	○	8 A nabíjanie
	Úplne nabitá	Normálne nabíjanie	○	●	○	Nabíjanie je dokončené
		Rýchle nabíjanie	●	○	○	Nabíjanie je dokončené
—	Úspešná vlastná kontrola		●	●	●	Nabijačka sa môže použiť na nabíjanie batérie

●: Zap ○: Vyp : Blikanie

SK

NABÍJANIE HORÚCEHO ALEBO STUDENÉHO AKUMULÁTORA

Ak je akumulátor mimo normálneho tepelného rozmedzia, 3# LED bude svietiť červeno. Keď sa batéria ochladí na približne 57 °C, alebo sa zohreje na viac ako 3 °C, nabijačka automaticky začne nabíjať.

CHYBNÝ AKUMULÁTOR ALEBO NABIJAČKA

Keď sa nabijačka pripojí k napájaciemu zdroju, nabijačka okamžite začne vlastnú kontrolu.

1. Ak vlastná kontrola zistí poruchu, nebude blikať ani svietiť žiadna LED.

Poznámka: Vyskúšajte znovu postupne pripojiť sieťový kábel do nabijačky a napájacieho zdroja. Ak LED diódy stále aj po druhýkrát odčítavajú „poruchu“, kontaktujte stredisko EGO a nechajte si opraviť nabijačku.

2. Ak nabijačka prejde kontrolou, tri LED diódy svietia súčasne 1 s, čo znamená, že nabijačka môže byť použitá na nabíjanie batérie. Pokiaľ nabijačka zistí problém počas nabíjania, 3# LED začne blikať červeno alebo všetky LED zhasnú.

- V prípade zaregistrovania chyby, vyberte a znovu vložte akumulátor do nabijačky. Ak LED dióda aj druhýkrát identifikuje „chybu“, skúste nabíjať iný akumulátor.
- Ak sa iný akumulátor nabíja normálne, zlikvidujte chybný akumulátor (postupujte podľa pokynov v balení akumulátora).
- Ak iný akumulátor tiež indikuje, že je poškodený, opätovne zapojte nabijačku do napájacieho zdroja, až kým červená kontrolka 3# LED nezhasne. Ak všetky 3 LED diódy stále nesvietia alebo 3# LED blika červeno, môže byť chybná nabijačka.

VAROVANIE: Neodporúčame pokračovať v nabíjaní, ak je nabijačka potvrdená ako chybná, pretože to môže spôsobiť zásah elektrickým prúdom alebo dokonca vážne zranenie.

OTVORY PRE MONTÁŽ NA STENU

Nabijačka má závesné otvory pre praktické skladovanie. Nainštalujte skrutky do steny 76 mm od seba.

ÚDRŽBA

VAROVANIE: Pri čistení alebo vykonávaní údržby vždy odpojte akumulátor z nástroja, aby nedošlo k vážnemu zraneniu.

VAROVANIE: Pri servise používajte iba identické náhradné diely EGO. Použitie iných častí môže vyvolať nebezpečenstvo, alebo spôsobiť poškodenie výrobku.

VAROVANIE: Neodporúčame používať stlačený suchý vzduch na čistenie nabíjačky. Ak čistenie pomocou stlačeného vzduchu je jediný spôsob, ktorý je možné použiť, vždy si nasadte ochranné okuliare alebo ochranné okuliare s postrannými krytmi. V prašnom prostredí si tiež nasadte masku proti prachu.

VAROVANIE: Ak je napájaci kábel poškodený, použite len rovnaký napájaci kábel. Použitie neautorizovaného napájacieho kábla môže vytvoriť nebezpečenstvo úrazu elektrickým prúdom alebo zranenie.

CELKOVÁ ÚDRŽBA

Na čistenie plastových dielov nepoužívajte rozpúšťadlá. Väčšina plastov je náchylná na poškodenie z rôznych typov komerčných rozpúšťadiel a môžu sa poškodiť, ak sa použijú. Použite čisté handry na odstránenie nečistôt, prachu, oleja, maziva, atď.

VAROVANIE: Nikdy nedovoľte, aby brzdové kvapaliny, benzín, ropné výrobky, penetračné oleje atď., prišli do styku s plastovými časťami. Chemické látky môžu poškodiť, oslabiť alebo zničiť plast, čo môže viesť k vážnemu zraneniu.

VAROVANIE: Pri servise používajte iba identické náhradné diely EGO. Použitie iných častí môže vyvolať nebezpečenstvo, alebo spôsobiť poškodenie výrobku. Pre zaistenie bezpečnosti a spoľahlivosti je nevyhnutné, aby všetky opravy vykonával len kvalifikovaný servisný technik v servisnom stredisku EGO.

Ochrana životného prostredia



Nevyhadzujte elektrické zariadenia, nabíjačku batérií a batérie / akumulátory do domového odpadu!

Podľa európskej smernice 2012/19/EU elektrické a elektronické zariadenia, ktoré už nie sú použiteľné a podľa európskej smernice 2006/66/EC chybné alebo použité akumulátory / batérie sa musia zhromažďovať oddelene.

Ak sú elektrické spotrebiče likvidované na neorganizovaných skládkach alebo smetiskách, môžu nebezpečné látky unikat' do podzemných vôd, dostať sa do potravinového reťazca a poškodzovať zdravie.

SK



ODSTRAŇOVANIE PORÚCH

PROBLÉM	PRÍČINA	RIEŠENIE
Nabíjačka nefunguje. 3# LED bliká červeno alebo všetky LED zhasnú.	Akumulátor alebo nabíjačka sú chybné, alebo zlé spojenie medzi akumulátorom a nabíjačkou.	<ul style="list-style-type: none">■ Vyskúšajte vybrať a znovu vložiť akumulátor do nabíjačky.■ Pokúste sa nabiť iný akumulátor.■ Odpojte nabíjačku a počkajte, kým červená LED zhasne, potom znovu pripojte k napájaniu.
	Prepínate nabíjačku príliš často	<ul style="list-style-type: none">■ Pripojte nabíjačku k zdroju napájania po uplynutí 30 s, pretože všetky LED diódy zhasli.
Nabíjačka nefunguje a 3# LED svieti na červeno.	Akumulátor je príliš horúci alebo príliš studený.	<ul style="list-style-type: none">■ Nechajte, aby akumulátor dosiahol normálnu teplotu. Nabíjanie začne, keď sa akumulátor vráti na normálnu teplotu.

ZÁRUKA

ZÁRUČNÁ POLITIKA EGO

Navštívte webové stránky egopowerplus.com pre úplné podmienky záručnej politiky spoločnosti EGO.

SK

OLVASSA EL AZ ÖSSZES UTASÍTÁST!



OLVASSA EL A HASZNÁLATI ÚTMUTATÓT

Megjegyzés: A használati útmutató alternatív formában, ill. a honlapon is elérhető.

⚠ Maradék kockázat! Az elektronikus készülékekkel, például pacemakerrel, élő emberek a termék használata előtt kérjék ki orvos véleményét. Az elektromos felszerelés a szív pacemakerhez közel való működtetése interferenciát vagy meghibásodást okozhat a pacemakerben.

⚠ FIGYELMEZTETÉS: A biztonságosság és megbízhatóság biztosítása érdekében minden javítást szakképzett szerviztechnikus hajtsön végre.

⚠ FIGYELMEZTETÉS: Ezt a készüléket használhatják 8 éves vagy annál idősebb gyermekek, illetve csökkent fizikai, érzékszervi, vagy mentális képességekkel rendelkező, vagy kellő tudással és belátással nem rendelkező személyek is, ha az említett személyek a biztonságukért felelős, a készülék biztonságos használatának módjával és az esetleges veszélyekkel tisztában lévő személy felügyelete alatt állnak, vagy ilyen személytől kaptak utasítást a berendezés használatára vonatkozóan. Gyerekek ne játsszanak a készülékkel. Felügyelet nélkül gyermekek nem végezhetik a készülék tisztítását és karbantartását.

BIZTONSÁGI SZIMBÓLUMOK

A biztonsági szimbólumok célja, hogy felhívják a figyelmet az esetleges veszélyekre. Nagyon figyeljen a biztonsági szimbólumokra és magyarázatokra, ill. ezek megértésére. A szimbólumok figyelmeztetéseit önmagukban nem hárítják el a veszélyeket. Az utasítások és figyelmeztetések nem helyettesítik a megfelelő balesetmegelőző intézkedéseket.

⚠ FIGYELMEZTETÉS: A szerszám használata előtt feltétlenül olvassa el a jelen használati útmutató minden biztonsági utasítását, a „VESZÉLY”, „FIGYELMEZTETÉS” és „FIGYELEM” biztonsági szimbólumokat is. Az alább felsorolt utasítások be nem tartása áramütést, tűzveszélyt és/vagy súlyos személyi sérülést idézhet elő.

BIZTONSÁGI UTASÍTÁSOK

Ezen az oldalon olyan biztonsági szimbólumok láthatók és olvashatók, amelyek megjelenhetnek a terméken. Az összeszerelés vagy működtetés előtt olvassa el, értesse meg és tartsa be a gép minden utasítását.

	Biztonsági figyelmeztetés	Az Ön biztonságát érintő óvintézkedések.
	Olvassa el a használati útmutatót	A sérülések kockázatának csökkentése érdekében a használatnál el kell olvasnia a használati útmutatót.
	Beltéri használatra	A készüléket csak beltéren használja
	II. osztályú konstrukció	Kettős szigetelésű szerkezet
	T6,3A Olvadóvezetékek	Fáziseltolódás, miniatűr olvadóvezetékek
	CE	A termék megfelel az érvényes EK irányelveknek.
	UKCA	Ez a termék megfelel az alkalmazandó brit jogszabályoknak.
	WEEE	Az elhasznált elektromos termékek nem helyezhetők a háztartási hulladék közé. Vigye hivatalos újrahasznosító telephelyre.
V	Volt	Feszültség
A	Amper	Áramerősség
Hz	Hertz	Frekvencia (ciklusok másodpercenként)
W	Watt	Teljesítmény
min	Perc	Idő
	Váltakozó áram	Áram típusa Áram típusa vagy
	Egyenáram	Typ alebo charakteristika prúdu

⚠ FIGYELMEZTETÉS: Olvassa el és értesse meg az utasításokat. Az alább felsorolt utasítások be nem tartása áramütést, tűzveszélyt és/vagy súlyos személyi sérülést idézhet elő.

MUNKATERÜLET BIZTONSÁG

- **A munkaterület legyen tiszta és jól megvilágított.**
A munkahelyen uralkodó rendetlenségnek vagy a rossz megvilágításnak baleset lehet a következménye.
- **Ne használja az EGO töltőt robbanási veszélynek kitett környezetben, például olyan helyen, ahol éghető folyadékok, gázok vagy porok találhatóak.**
A töltő szikrákat képezhet, amelyek meggyújthatják a porokat vagy gázokat.

ELEKTROMOS BIZTONSÁG

- **Ne tegye ki a töltőt esőnek vagy nedves környezetnek.** A töltőbe kerülő víz megnöveli az áramütés veszélyét.

HU

- **Ne használja a kábelt helytelen módon.** Soha ne használja a vezetékét a töltő hordozására, húzására vagy lecsatlakoztatására. Tartsa távol a vezetékét hőtől, olajtól, éles szegélyektől és mozgó alkatrészekről. A sérült vagy összegabalyodott hálózati kábelek megnövelik az áramütés veszélyét.
- Az EGO töltő az alábbi lítium-ion akkumulátoregységet tölti:

TÖLTŐ	AKKUMULÁTOREGYSÉG
CHX5500E	BAX1500

SZERVIZ

- **A töltőt szakképzett személlyel, eredeti cserealkatrész felhasználásával javíttassa meg.** Ezzel biztosítja a töltő biztonságának fenntartását.
- **A töltő javításakor használjon azonos pótalkatrészeket. Kövesse a jelen használati utasítás Karbantartás fejezetét.** Nem engedélyezett alkatrészek használata vagy a karbantartási utasítások be nem tartása áramütés vagy sérülés veszélyét okozhatja.

A TÖLTŐRE VONATKOZÓ BIZTONSÁGI SZABÁLYOK

HU

⚠ VIGYÁZAT: Ezt a berendezést nem használhatják olyan személyek (gyermeket is beleértve), akik csökkent fizikai, érzékszervi vagy szellemi képességekkel rendelkeznek, vagy nem rendelkeznek kellő belátással és tudással, kivéve azt az esetet, ha az említett személyek a biztonságukért felelős személy felügyelete alatt állnak, vagy ilyen személytől kaptak utasítást a berendezés használatára vonatkozóan.

- **Az akkumulátortöltő használata előtt,** olvassa el a jelen használati útmutatót és az akkumulátortöltőt, az akkumulátor és a termék minden utasítását és figyelmeztető jelzését a termék helytelen használatának és a lehetséges sérülések vagy rongálódás elkerülése érdekében.
- **Ne nyúljon a töltőhöz, a töltő csatlakozódugóját és csatlakozásait vizes kézzel.**
- **Ügyeljen arra, hogy a vezeték olyan helyen legyen, ahol nem lépnek rá, nem botlanak el benne, nem ér éles szélékhez vagy mozgó alkatrészekhez, és nincs kitéve más sérülésnek vagy igénybevételnek.** Ez csökkenti a véletlenszerű leesés veszélyét, amely a kábel sérülését vagy rongálódását okozhatja, és végül áramütést idézhet elő.

- **A kábelt és a töltőt tartsa távol hőtől, hogy a burkolat és a belső alkatrészek ne sérüljenek.**
- **Benzin, olaj, petróleum alapú termékek stb. ne érintkezzenek a műanyag alkatrészekkel.** Ezek az anyagok olyan vegyszerek tartalmaznak, amelyek megrongálhatják, gyengíthetik vagy megsemmisítik a műanyagot.
- **Ne működtesse a töltőt sérült kábellel vagy csatlakozódugóval, amely rövidzárlatot vagy áramütést okozhat.** Ha sérült, akkor javíttassa meg vagy cseréltesse ki az EGO Service Center hivatalos szerviztechnikusával.
- **Ne szerelje szét a töltőt.** Vigye hivatalos szerviztechnikushoz, ha szerviz vagy javítás szükséges. A helytelen szétszerelés miatt áramütés és a tűz veszélye áll fenn.
- **Az áramütés kockázatának csökkentése érdekében húzza ki a töltőt a hálózati aljzatból, mielőtt bármilyen karbantartást vagy tisztítást végezne rajta.**
- **Amikor nem használja a töltőt, mindig húzza ki a hálózati aljzatból.** Ez csökkenti az áramütés kockázatát vagy a töltő sérülését, ha fém tárgyak esnének a nyílásába. Segít megakadályozni a töltő sérülését a teljesítmény-ingadozás esetén.
- **Áramütésveszély!** Ne érjen a csatlakozó kimenet szigetelés nélküli részéhez vagy a szigetelés nélküli akkumulátor érintkezőhöz.
- **Őrizze meg ezt az útmutatót.** Időnként olvassa át, és használja, amikor másokat a kéziszerszám használatára tanít be. Ha valakinek kölcsön adja a szerszámot, akkor adja át a használati utasítást is a helytelen használat és lehetséges sérülések elkerülése érdekében.

FONTOS BIZTONSÁGI ELŐÍRÁSOK

- **Őrizze meg ezt az útmutatót.** A jelen használati utasítás fontos biztonsági és használati utasításokat tartalmaz az 56 V-os CHX5500E gyorstöltőre vonatkozólag.
- **Az akkumulátortöltő használata előtt olvassa el az akkumulátortöltőre, az akkumulátorra és a termékre vonatkozó összes utasítást, valamint a rajtuk elhelyezett biztonsági jelzéseket.**

MŰSZAKI LEÍRÁS

Töltő bemenet	220-240 V~50 Hz 550 W
Töltő kimenet	4/8 A 56 V
Töltési idő	Töltés BAX1500 (1568 Wh): 3,5 ó. (Gyors töltés) 7 ó. (normál töltés)
Optimális töltési hőmérséklet	5°C-40°C
Töltő súlya	1,6 kg

LEÍRÁS

ISMERJE MEG A TÖLTŐT (A. ábra)

1. Hálózati kábel
2. Kimeneti interfész
3. Gomb
4. 1. LED (zöld)
5. 2. LED (zöld)
6. 3. LED (piros)
7. Bemeneti interfész
8. Lyuk falra szereléshez
9. Hűtőlevegő port

HASZNÁLAT

HOGYAN KELL FELTÖLTENI AZ AKKUMULÁTOREGYSÉGET

⚠ FIGYELMEZTETÉS: Ne használja a töltőt szabadterén, és ne tegye ki nedves vagy nyirkos körülményeknek. A töltőbe kerülő víz megnöveli az áramütés veszélyét.

MEGJEGYZÉS: A lítium-ion akkumulátoregységet részben feltöltve szállítjuk. Az első használat előtt töltsse fel teljesen az akkumulátort.

1. Helyezzen be egy külön hálózati vezetékét a bemeneti interfészbe (B. ábra).
2. Csatlakoztassa a töltőt a hálózati aljzathoz (220-240 V/50 Hz).
3. Helyezze be az akkumulátor csatlakozódugót a töltőbe a C és D ábrán látható módon.

4. A töltő kommunikál az akkumulátoregységgel az akkumulátoregység állapotának felméréséhez.
5. Amikor az akkumulátoregység normál töltés alatt van, a töltőn lévő 2. zöld LED villog. Ha a zöld gombot legalább 1 másodpercig lenyomva tartja, akkor a normál töltés átvált gyors töltésre, és az 2. zöld LED elalszik, míg a 1. zöld LED villog. A töltőben lévő ventilátor folyamatosan működik az akkumulátoregység hűtése érdekében.
6. Amikor az akkumulátoregység teljesen feltöltődött, a töltésjelző LED-ek abbahagyják a villogást, és folyamatosan zölden világítanak. Várjon, amíg a hűtőventilátor leáll, vegye le az akkumulátoregységet a töltőről, és húzza ki a töltőt a hálózati aljzathoz.
7. Az akkumulátoregység teljesen feltöltődik a töltőn, de nem töltődik túl.

MEGJEGYZÉS:

- Amíg a töltő az 1. lépésben az áramellátáshoz csatlakoztatva van, ha a 3 LED még mindig világít, akkor olvassa el a „SÉRÜLT AKKUMULÁTOREGYSÉG VAGY TÖLTŐ” fejezetet.
- Ha a működési idő teljes feltöltés után jelentősen csökken, akkor az azt jelzi, hogy az akkumulátor majdnem elérte a használhatóságának végét, és ki kell cserélni.
- A töltő töltés közben felmelegszik. Ez a töltő normál működésének része. Jól szellőztetett helyiségben töltsse fel.

HU

A TÖLTŐ LED FUNKCIÓI

LED KIJELZŐ	HORDOZHATÓ AKKUMULÁTOR		LED A TÖLTŐN			MŰVELET
			1. LED (ZÖLD)	2. LED (ZÖLD)	3. LED (PIROS)	
	Sérült		○	●		Az akkumulátoregység vagy a töltő sérült
	Túlmelegedett	Normál töltés	○		●	A töltés akkor kezdődik, amikor az akkumulátoregység normál hőmérsékletre hűl vissza.
		Gyors töltés		○	●	A töltés akkor kezdődik, amikor az akkumulátoregység normál hőmérsékletre hűl vissza.
	Normál töltés		○		○	4 A töltés
	Gyors töltés			○	○	8 A töltés
	Teljesen feltöltve	Normál töltés	○	●	○	A töltés befejeződött
		Gyors töltés	●	○	○	A töltés befejeződött
—	Sikeres önellenőrzés		●	●	●	A töltő az akkumulátor töltéséhez használható.

●: Be ○: Ki : Villogás

HU

FORRÓ VAGY HIDEG AKKUMULÁTOREGYSÉG TÖLTÉSE

Ha az akkumulátoregység a normális hőmérséklet-tartományon kívül van, akkor a 3. LED pirosan világít. Ha az akkumulátoregység körülbelül 57 °C-ra hűl, vagy 3 °C felé melegszik, a töltő automatikusan tölteni kezd.

SÉRÜLT AKKUMULÁTOREGYSÉG VAGY TÖLTŐ

Amikor a töltőt az áramellátáshoz csatlakoztatja, a töltő azonnal önellenőrzést hajt végre.

- Ha az önellenőrzés, hibát jelez, akkor egyetlen LED sem villog vagy világít.

Megjegyzés: Egymás után próbálja meg újra csatlakoztatni a hálózati kábelt a töltőhöz és az áramellátáshoz. Ha a LED-ek másodjára is „hibát” jeleznek, akkor lépjen kapcsolatba az EGO központtal a töltő megjavítása érdekében.

- Ha a töltő végrehajja az önellenőrzést, akkor 3 LED 1 mp.-ig egyidejűleg világít, ami azt jelenti, hogy a töltő az akkumulátoregység töltésére használható. Töltés közben, ha a töltő problémát érzékel, akkor a 3. LED pirosan kezd villogni, vagy minden LED elaszik.
 - Ha sérültnek tűnik, vegye ki, és tegye vissza az akkumulátoregységet a töltőre. Ha a LED-ek még mindig „sérültként” jelzik, akkor próbáljon meg feltölteni egy másik akkumulátoregységet.
 - Ha a másik akkumulátoregység rendesen töltődik, akkor ártalmatlanítsa a sérült akkumulátoregységet (nézze meg az akkumulátoregység használati utasításait).
 - Ha egy másik akkumulátoregység is „hibát” jelez, akkor csatlakoztassa a töltőt az áramellátáshoz, amíg a piros 3. LED el nem alszik. Ha a 3. LED még mindig ki van kapcsolva, vagy a 3. LED pirosan villog, akkor a töltő valószínűleg sérült.

⚠ FIGYELMEZTETÉS: Nem javasoljuk, hogy megpróbáljon tölteni, amikor a töltő sérültnek számít, mivel áramütést vagy súlyos sérüléseket okozhat.

LYUKAK FALRA SZERELÉSHEZ

A töltn akasztólyukak vannak a kényelmes tároláshoz. Helyezze a csavarokat a falba 76 mm távolságban.

KARBANTARTÁS

▲ FIGYELMEZTETÉS: A súlyos személyi sérülések elkerülése érdekében mindig vegye ki az akkumulátoregységet a tőlől a tisztítás vagy karbantartás alatt.

▲ FIGYELMEZTETÉS: Javításkor használjon azonos EGO pótalkatrészeket. Más alkatrészek használata veszélyt okozhat, vagy megrongálhatja a terméket.

▲ FIGYELMEZTETÉS: Nem javasolt sűrített levegő használata a töltn tisztításához. Ha csak sűrített levegővel lehet megtisztítani, akkor a töltn tisztítása közben mindig viseljen védőszemüveget vagy oldalsó védőlemezzel ellátott védőszemüveget. Ha működtetés közben por keletkezik, akkor viseljen porvédő maszkot is.

▲ FIGYELMEZTETÉS: Ha a hálózati vezeték sérült, akkor csak azonos hálózati vezetéket használjon. Nem engedélyezett hálózati vezeték használata áramütés vagy sérülés veszélyét okozhatja.

ÁLTALÁNOS KARBANTARTÁS

A műanyag alkatrészek tisztításához ne használjon oldószereket. A legtöbb műanyag a vegyi oldószerek által deformálódás általi sérülésnek van kitéve, ezek megrongálhatják őket. Használjon tiszta ruhát a szennyeződés, por, olaj, zsír stb. eltávolításához.

▲ FIGYELMEZTETÉS: Fékolaj, benzin, petróleum alapú termékek, behatoló olajok stb. soha ne érintkezzenek a műanyag alkatrészekkel. A vegyszerek megrongálhatják, gyengíthetik vagy megsemmisíthetik a műanyagot, amely súlyos személyi sérülést okozhat.

▲ FIGYELMEZTETÉS: Javításkor használjon azonos EGO pótalkatrészeket. Más alkatrészek használata veszélyt okozhat, vagy megrongálhatja a terméket. A biztonságosság és megbízhatóság biztosítása érdekében minden javítást az EGO Service Center szakképzett szerviztechnika hajtson végre.

A környezet védelme



Ne dobja az elektromos felszerelést, az akkumulátor töltn és az akkumulátorokat/újratölthető akkumulátorokat a háztartási hulladékok közé!

Az elektromos és elektronikus berendezések hulladékairól szóló 2012/19/EU európai törvény, amely már nincs érvényben, és az 2006/66/EK európai törvény értelmében a sérült vagy elhasznált akkumulátoregységeket/akkumulátorokat külön kell gyűjteni.

Ha az elektromos berendezéseket talajföltöltési vagy árokbetömési célokra használják, olyan veszélyes anyagok kerülhetnek belőlük a talajvízbe, majd onnan a táplálkozási láncba, amelyek veszélyeztetik az egészséget.

HIBAEHÁRÍTÁS

PROBLÉMA	OK	MEGOLDÁS
A töltő nem működik. A 3. LED pirosan villog, vagy minden LED elalszik.	Az akkumulátoregység sérült, vagy rossz a csatlakozás az akkumulátoregység és a töltő között.	<ul style="list-style-type: none">■ Próbálja meg kivenni, és visszatenni az akkumulátoregységet a töltőre.■ Próbáljon meg másik akkumulátoregységet feltölteni.■ Húzza ki a töltőt, és várjon, amíg a piros LED elalszik, majd csatlakoztassa a csatlakozódugót a hálózati aljzathoz.
	A töltő túl sokszor vált	<ul style="list-style-type: none">■ Csatlakoztassa a töltőt a tápegységhez, 30 másodperc után minden LED elalszik.
A töltő nem működik, és a 3. LED pirosan villog.	Az akkumulátoregység túl forró vagy túl hideg.	<ul style="list-style-type: none">■ Hagyja az akkumulátoregységet normál hőmérsékletre hűlni. A töltés akkor kezdődik, amikor az akkumulátoregység normál hőmérsékletre hül vissza.

GARANCIA

EGO GARANCIÁLIS FELTÉTELEK

Kérjük, látogasson el az egopowerplus.com oldalra, ahol megtalálja a részletes EGO garanciális feltételeket.

HU

CITIȚI TOATE INSTRUCȚIUNILE!



CITIȚI MANUALUL DE INSTRUCȚIUNI

Observație: Aceste instrucțiuni sunt disponibile și în format alternativ, de exemplu pe un website.

▲ Riscuri reziduale! Persoanele cu dispozitive electronice precum stimuloare cardiace ar trebui să-și consulte medicul (medicii) înainte de a utiliza acest produs. Utilizarea unui echipament electric în imediata apropiere a unui stimulator cardiac poate cauza interferențe sau pana stimulatorului.

▲ AVERTISMENT: Pentru siguranța și fiabilitatea produsului, toate reparațiile ar trebui efectuate de către un tehnician de service autorizat.

▲ AVERTISMENT: Acest aparat poate fi utilizat de către copii de peste 8 ani și de către persoane cu capacități fizice, senzoriale sau intelectuale reduse ori lipsite de cunoștințe sau de experiență numai dacă sunt supravegheate sau au fost instruite cu privire la utilizarea aparatului în deplină siguranță și înțeleg pericolele la care se expun. Nu lăsați copiii să se joace cu aparatul. Este interzisă efectuarea curățării și întreținerii aparatului permisibile utilizatorului de către copii nesupravegheați.

SIMBOLURI DE SIGURANȚĂ

Scopul simbolurilor privind siguranța este să vă atragă atenția asupra pericolelor posibile. Simbolurile privind siguranța și explicațiile furnizate cu acestea merită atenția și înțelegerea dumneavoastră. Simbolurile de avertizare, ele singure, nu elimină niciun pericol. Instrucțiunile și avertismentele pe care le oferă nu pot înlocui măsurile corecte de prevenire a accidentelor.

▲ AVERTISMENT: Asigurați-vă că ați citit și înțelegți toate instrucțiunile privind siguranța din acest Manual de utilizare, inclusiv toate simbolurile de alertă privind siguranța precum "PERICOL," "AVERTISMENT," și "ATENȚIE" înainte de a utiliza această sculă. Nerespectarea tuturor avertismentelor și instrucțiunilor poate duce la electrocutare, incendiu și/sau răniri grave.

INSTRUCȚIUNI PRIVIND SIGURANȚA

Această pagină descrie simbolurile de siguranță ce pot apărea pe acest produs. Citiți, înțelegeți, și respectați toate instrucțiunile de pe mașină înainte de asamblare și operare.

	Alertă privind siguranța	Precauții care implică siguranța dumneavoastră
	Citiți manualul de instrucțiuni	Pentru a reduce riscul de accidentări, utilizatorul trebuie să citească manualul de instrucțiuni.
	A se utiliza numai în interior	Utilizați acest echipament numai în interior
	Produs cu structură de clasă II	Structură cu izolație dublă
T6,3A 	Șuruburi fuzibile	Mini siguranță fuzibilă temporizată
	CE	Acest produs este în conformitate cu directivele europene aplicabile.
	UKCA	Acest produs este în conformitate cu legislația aplicabilă din Marea Britanie.
	DEEE	Deșeurile produselor electrice nu trebuie să fie eliminate împreună cu deșeurile menajere. Predați-le unui punct de reciclare autorizat.
V	Volt	Tensiune
A	Amperi	Rezistență
Hz	Hertz	Frecvență (cicluri pe secundă)
W	Watt	Alimentare
min	Minute	Durată
	Curent alternativ	Tip de curent
	Curent continuu	Tip sau o caracteristică a curentului

▲ AVERTISMENT: Citiți și înțelegeți toate instrucțiunile. Nerespectarea tuturor avertismentelor și instrucțiunilor poate duce la electrocutare, incendiu și/sau răniri grave.

SIGURANȚA ZONEI DE LUCRU

- **Păstrați zona de lucru curată și bine iluminată.** Zonele dezordonate și întunecoase predispun la accidente.
- **Nu utilizați încărcătorul EGO în atmosfere explozive, cum ar fi în prezența lichidelor, gazelor sau a prafului inflamabile.** Un încărcător ar putea crea scânteii, care pot aprinde praful sau gazele.

SIGURANȚA ELECTRICĂ

- **Nu expuneți încărcătorul la ploaie sau condiții de umezeală.** Pătrunderea apei în încărcător va crește riscul de electrocutare.

RO

- **Nu folosiți în mod abuziv cablul de alimentare.** Nu utilizați niciodată cablul de alimentare pentru transportul, tragerea sau scoaterea din priză a încărcătorului. Țineți cablul de alimentare departe de căldură, ulei, margini tăioase sau piese în mișcare. Cablurile electrice deteriorate sau încălcite cresc riscul de electrocutare.
- **Încărcătorul EGO poate încărca acumulatorii EGO de Litiu ion menționați mai jos:**

ÎNCĂRCĂTOR	SETURI DE ACUMULATORI
CHX5500E	BAX1500

OPERAȚIILE DE SERVICE

- **Apelați numai la o persoană calificată pentru a vă repara scula electrică utilizând numai piese de schimb identice.** Acest lucru va asigura menținerea siguranței încărcătorului.
- **La depanarea încărcătorului, utilizați numai piese de schimb identice. Respectați instrucțiunile din secțiunea referitoare la întreținere din acest manual.** Utilizarea de piese neautorizate sau nerespectarea instrucțiunilor de întreținere pot duce la un risc de electrocutare sau de vătămare.

REGULI DE SIGURANȚA PRIVIND ÎNCĂRCĂTORUL

⚠ ATENȚIE: Acest aparat nu este destinat folosirii de către persoane (inclusiv copii) cu capacități fizice, senzoriale sau intelectuale reduse, sau lipsite de experiență ori cunoștințe, exceptând cazul în care acestea sunt supravegheate sau instruite în prealabil de o persoană responsabilă de securitatea lor.

- **Înainte de a utiliza încărcătorul de acumulatori,** citiți toate instrucțiunile și marcajele de avertizare din acest manual și de pe încărcător, acumulator și de pe produs pentru a preveni utilizarea greșită a produselor și eventualele vătămări sau pagube.
- **Nu manevrați încărcătorul, inclusiv ștecherul acestuia și terminalele încărcătorului dacă aveți mâinile ude.**
- **Cablul de alimentare trebuie poziționat astfel încât să nu fie călcat, să nu incurce, să nu intre în contact cu muchii ascuțite sau piese mobile deoarece riscă să fie avariat sau fie supus la tensiuni.** Poziționarea corectă a cablului va reduce riscul de căderi accidentale, care pot cauza vătămări corporale și avarieri ale cablului, care ar putea rezulta în electrocutare.
- **Ferțiți cablul și încărcătorul de căldură pentru a preveni avariarea carcasei sau a componentelor interne.**

- **Nu permiteți contactul pieselor de plastic cu benzină, uleiuri, produse pe bază de petrol, etc.** Aceste materiale conțin chimicale care pot avaria, fragiliza sau distruge plasticul.
- **Nu utilizați încărcătorul cu un cablu de alimentare sau ștecher avariat, deoarece există riscul creării unui scurtcircuit și electrocutării.** În caz de avariere, apelați la un tehnician de reparații de la Centrul de service EGO pentru repararea sau înlocuirea încărcătorului.
- **Nu dezasamblați încărcătorul.** Duceți încărcătorul la un tehnician de service autorizat când acesta necesită operații de service sau reparații. Reasamblarea greșită poate duce la electrocutare sau la incendiu.
- **Scoateți încărcătorul din priză electrică înainte de a încerca orice operație de întreținere sau de curățare pentru a reduce riscul de electrocutare.**
- **Deconectați încărcătorul de la sursa de alimentare când acesta nu este utilizat.** Astfel se va reduce riscul de electrocutare sau de avariere a încărcătorului în cazul care obiecte de metal caz în deschiderea acestuia. Acest lucru va ajuta la prevenirea avarierii încărcătorului în cazul unui vârf de tensiune.
- **Pericol de electrocutare.** Nu atingeți porțiunea neizolată a conectorului de ieșire sau terminalul neizolat al acumulatorului.
- **Păstrați aceste instrucțiuni.** Consultați-le frecvent și utilizați-le pentru a instrui alte persoane care ar putea utiliza această sculă electrică. Dacă împrumutați cuiva această sculă, împrumutați-i și aceste instrucțiuni pentru a preveni utilizarea inadecvată a produsului și posibile răni.

INSTRUCȚIUNI IMPORTANTE PRIVIND SIGURANȚA

- **Păstrați aceste instrucțiuni.** Acest manual conține instrucțiuni importante privind siguranța și utilizarea încărcătorului rapid CHX5500E 56V.
- **Înainte de a utiliza încărcătorul de acumulatori, citiți toate instrucțiunile și marcajele de avertizare de pe încărcătorul de acumulatori, de pe acumulator și de pe produsul care utilizează acumulatorul.**

SPECIFICAȚII

Alimentare încărcător	220-240 V~50 Hz 550 W
Putere de ieșire încărcător	4/8 A 56 V
Durată de încărcare	Încărcare BAX1500 (1568 Wh) : 3,5 ore (Încărcare rapidă) 7 ore (Încărcare normală)
Temperatură optimă de încărcare	5°C-40°C
Greutate de încărcare	1,6 kg

DESCRIEREA

DESCRIEREA ÎNCĂRCĂTORULUI (Fig. A)

1. Cablu de alimentare
2. Interfață de ieșire
3. Buton
4. 1# LED (Verde)
5. 2# LED (Verde)
6. 3# LED (Roșu)
7. Alimentare interfață
8. Orificiu de montare pe perete
9. Port de răcire și aerisire

UTILIZAREA

CUM TREBUIE ÎNCĂRCAT SETUL DE ACUMULATORI

⚠️ AVERTISMENT: Nu utilizați încărcătorul în aer liber sau să-l expuneți la condiții de umezeală. Pătrunderea apei în încărcător va crește riscul de electrocutare.

OBSERVAȚIE: Seturile de acumulatori de Litiu-ion sunt livrat parțial încărcate. Înaintea primei utilizări, încărcați complet setul de acumulatori.

1. Introduceți cablul de alimentare separat în interfața de intrare (Fig. B).
2. Conectați încărcătorul la sursa de alimentare (220-240V/50Hz).
3. Introduceți ștecherul acumulatorului precum în Fig. C & D.
4. Încărcătorul va comunica cu circuitele setului de acumulatori, pentru a evalua starea acestuia.
5. Când setul de acumulatori este în curs de încărcare normală, LED-ul verde 2# de pe încărcător va clipi intermitent. Dacă mențineți apăsat butonul verde timp de cel puțin 1 secundă, încărcarea normală se va transforma în încărcare rapidă și LED-ul verde 2# LED se va stinge cu LED-ul verde 1# LED clipind. Ventilatorul din încărcător va funcționa continuu pentru a răci setul de acumulatori.
6. Când setul de acumulatori este complet încărcat, LED-urile indicând încărcarea se vor opri din clipi și vor rămâne aprinse de culoare verde. Așteptați până când ventilatorul de răcire se oprește, scoateți setul de acumulatori din încărcător și deconectați încărcătorul de la sursa de alimentare.
7. Setul de acumulatori va fi complet încărcat dacă este lăsat în încărcător, fără să se supraîncarce.

OBSERVAȚIE:

- Când încărcătorul este conectat la o sursă de alimentare la pasul 1, dacă cele 3 LED-uri rămân stinse, vă rugăm consultați secțiunea "**SET DE ACUMULATORI SAU ÎNCĂRCĂTOR DEFECT**".
- O durată de funcționare redusă semnificativ a setului de acumulatori este un semn că acumulatorii se apropie de sfârșitul vieții lor și trebuie înlocuiți.
- Este posibil ca setul de acumulatori să se încălzească în timpul încărcării. Acest lucru face parte din funcționarea normală a încărcătorului. Efectuați încărcarea într-o zonă bine ventilată.

RO

FUNCȚIILE LED ALE ÎNCĂRCĂTORULUI

INDICATOR LED	ACUMULATOR CU SUPPORT DE SPATE		LED DE PE ÎNCĂRCĂTOR			ACȚIUNE
			1# LED (VERDE)	2# LED (VERDE)	3# LED (ROȘU)	
	Defect		○	●	☼	Setul de acumulatori sau încărcătorul este defect
	Temperatură excesivă	Încărcare normală	○	☼	●	Încărcarea va fi reluată când temperatura setului de acumulatori revine la normal
		Încărcare rapidă	☼	○	●	Încărcarea va fi reluată când temperatura setului de acumulatori revine la normal
	Încărcare normală		○	☼	○	Încărcare 4A
	Încărcare rapidă		☼	○	○	Încărcare 8A
	Complet încărcat	Încărcare normală	○	●	○	Încărcarea este completă
		Încărcare rapidă	●	○	○	Încărcarea este completă
—	Auto-evaluare cu succes		●	●	●	Încărcătorul poate fi utilizat pentru a încărca acumula- torul

●: Pomit ○: Oprit ☼: Clipire intermitentă

RO

ÎNCĂRCAREA UNUI SET DE ACUMULATORI CALD SAU RECE

Dacă setul de acumulatori nu se încadrează în intervalul de temperatură normală, LED-ul 3# se va aprinde roșu. Când setul de acumulatori se răcește până la aproximativ 57°C sau se încălzește cu peste 3°C, încărcătorul va începe automat încărcarea.

SETUL DE ACUMULATORI SAU ÎNCĂRCĂTOR DEFECT

După conectarea încărcătorului la o priză electrică încărcătorul va demara imediat auto-evaluarea.

1. Dacă auto-evaluarea detectează un defect, niciunul dintre LED-uri nu va clipi sau se va aprinde.

Observație: Încearcați și reintroduceți cablul de alimentare în încărcător și sursa de alimentare în ordine. Dacă LED-urile detectează "defect" a doua oară, contactați centrul EGO pentru a vă repara încărcătorul.

2. Dacă încărcătorul trece inspecția, cele 3 LED-uri se vor aprinde simultan timp de 1 secundă, ceea ce înseamnă că încărcătorul poate fi utilizat pentru a încărca setul de acumulatori. În timpul încărcării, dacă încărcătorul detectează o problemă, LED-ul 3# se va aprinde roșu sau toate LED-urile se vor stinge.
 - Dacă este înregistrat ca defect, îndepărtați și reintroduceți mufa setului de acumulatori în încărcător. Dacă LED-ul diagnostichează "defect" o a doua oară, încercați să încărcați un alt set de acumulatori.
 - Dacă un alt set de acumulatori se încarcă normal, debarasați-vă de setul defect de acumulatori (consultați instrucțiunile din manualul setului de acumulatori).
 - Dacă un alt set de acumulatori indică tot "defect", reconectați încărcătorul la sursa de alimentare până la stingerea LED-ului roșu 3#. Dacă toate cele 3 LED-uri rămân stinse sau dacă LED-ul 3# roșu, este posibil ca încărcătorul să fie defect.

⚠️ AVERTISMENT: Nu se recomandă să încercați să încărcați dacă încărcătorul este confirmat ca fiind defect, poate cauza electrocutare sau chiar răni grave.

ORIFICIILE PENTRU FIXARE PE PERETE

Încărcătorul are orificii de agățare pentru facilitarea depozitării. Instalați șuruburi în perete la o distanță de 76mm.

ÎNȚREȚINEREA

⚠️ AVERTISMENT: Pentru evitarea vătămarilor personale grave, întotdeauna deconectați setul de acumulatori de la încărcător când curățați sau efectuați orice operație de întreținere.

⚠️ AVERTISMENT: În cazul operațiilor de service, utilizați numai piese de schimb EGO identice. Utilizarea oricăror altor piese poate crea un pericol sau poate produce o deteriorare.

⚠️ AVERTISMENT: Nu se recomandă utilizarea aerului uscat comprimat ca și metodă de curățare a încărcătorului de acumulatori. În cazul care curățarea cu aer comprimat este singura metodă care poate fi utilizată, întotdeauna purtați ochelari de protecție sau ochelari de protecție cu apărători laterale când curățați încărcătorul. Dacă operația produce praf, purtați și o mască de praf.

⚠️ AVERTISMENT: În cazul care cablul de alimentare este avariata, utilizați numai un cablu de alimentare identic. Utilizarea de cabluri de alimentare neautorizate poate duce la un risc de electrocutare sau de vătămare.

ÎNȚREȚINERE GENERALĂ

Evitați utilizarea solvenților când curățați piese din plastic. Majoritatea pieselor din plastic sunt susceptibile să se deterioreze de la diverse tipuri de solvenți comerciali și se pot defecta prin utilizarea acestora. Utilizați cârpe curate pentru a îndepărta murdăria, praful, uleiul, vaselina etc.

⚠️ AVERTISMENT: Nu permiteți niciodată lichidelor de frână, benzinei, produselor petroliere, uleiurilor penetrante etc. să vină în contact cu piese din plastic. Substanțele chimice pot deteriora, pot slăbi sau pot distruge plasticul, ceea ce se poate solda cu vătămări grave.

⚠️ AVERTISMENT: În cazul operațiilor de service, utilizați numai piese de schimb EGO identice. Utilizarea oricăror altor piese poate crea un pericol sau poate produce o deteriorare. Pentru siguranța și fiabilitatea produsului, toate reparațiile ar trebui efectuate de către un tehnician de service la un centru de service EGO.

Protejarea mediului înconjurător



Nu eliminați echipamentul electric, încărcătorul de acumulatori și bateriile/acumulatorii împreună cu deșeurile menajere!

Conform Directivei europene 2012/19/UE, sculele echipamentele electrice și electronice care nu mai sunt utilizabile, și conform Directivei europene 2006/66/CE, seturile de acumulatori/bateriile defecte sau uzate trebuie colectate separat.

Dacă aparatele electrice sunt aruncate la groapa de gunoi sau la haldă, se pot scurge substanțe periculoase în pânza freatică și acestea pot intra în lanțul trofic, afectându-vă sănătatea și bunăstarea.

RO

DEPANAREA

PROBLEMĂ	CAUZĂ	SOLUȚIE
Încărcătorul nu funcționează. LED-ul 3# clipește roșu sau toate LED-urile sunt stinse	Setul de acumulatori sau încărcătorul este defect ori conexiunile dintre setul de baterii și încărcător sunt slabe.	<ul style="list-style-type: none">■ Încercați să îndepărtați și să reintroduceți setul de acumulatori în încărcător.■ Încercați să încărcați un alt set de acumulatori.■ Scoateți încărcătorul din priză și așteptați până LED-ul roșu se stinge, după care reconectați ștecherul la priza electrică.
	Comutarea încărcătorului prea frecvent	<ul style="list-style-type: none">■ Conectați încărcătorul la sursa de alimentare la 30 de secunde după stingerea tuturor LED-urilor.
Încărcătorul nu funcționează și LED-ul 3# este roșu.	Setul de acumulatori este prea cald sau prea rece.	<ul style="list-style-type: none">■ Permiteți setului de acumulatori să atingă temperatura normală. Încărcarea va fi reluată când temperatura setului de acumulatori revine la normal.

GARANȚIE**POLITICA DE GARANȚIE EGO**

Vă rugăm consultați website-ul egopowerplus.com pentru termenii și condițiile complete ale politicii de garanție EGO.

PREBERITE VSA NAVODILA.



PREBERITE PRIROČNIK Z NAVODILI ZA UPORABO

Opomba: Ta navodila bodo na voljo tudi v drugi obliki, na primer na spletnem mestu.

⚠️ Preostalo tveganje! Pred uporabo izdelka se morajo osebe z elektronskimi napravami, kot je srčni spodbujevalnik, posvetovati s svojim zdravnikom. Delovanje električne opreme v bližini srčnega spodbujevalnika lahko povzroči motnje ali okvaro srčnega spodbujevalnika.

⚠️ OPOZORILO: Za zagotovitev varnosti in zanesljivosti mora vsa popravila izvesti usposobljen serviser.

⚠️ OPOZORILO: To napravo lahko uporabljajo otroci, starejši od 8 let, ter osebe z zmanjšanimi fizičnimi, čutnimi ali duševnimi sposobnostmi, oziroma osebe s pomanjkanjem izkušenj in znanja, če so pod nadzorom odgovorne osebe, če so prejele vsa navodila glede varne uporabe naprave in če razumejo nevarnosti, povezane z uporabo te naprave. Otroci se ne smejo igrati z napravo. Otroci naj ne izvajajo čiščenja in vzdrževanja naprave brez nadzora.

VARNOSTNI SIMBOLI

Namen varnostnih simbolov je, da pritegnejo vašo pozornost na morebitne nevarnosti. Varnostni simboli in njihova pojasnila si zaslužijo vašo pozornost in razumevanje. Opozorilni simboli sami ne odpravljajo nobene nevarnosti. Navodila in opozorila niso nadomestilo za ustrezne ukrepe za preprečevanje nesreč.

⚠️ OPOZORILO: Poskrbite, da boste pred uporabo orodja prebrali in razumeli vsa varnostna navodila v priročniku z navodili za uporabo, vključno z vsemi simboli za varnostna opozorila, kot so »NEVARNOST«, »OPOZORILO«, in »SVARILO«. Neupoštevanje spodaj navedenih navodil se lahko odrazi v električnem udaru, požaru in/ali resnih telesnih poškodbah.

VARNOSTNA NAVODILA

Na tej strani so prikazani in opisani varnostni simboli, ki se lahko pojavijo na tem izdelku. Preberite, osvojite in sledite navodilom na stroju preden ga boste poskušali sestaviti in upravljati.

	Varnostno opozorilo	Ukrepi za večjo varnost
	Preberite priročnik z navodili za uporabo	Za zmanjšanje nevarnosti poškodb je pomembno, da uporabnik prebere priročnik z navodili za uporabo.
	Uporaba v notranjih prostorih	Napravo uporabljajte le v notranjih prostorih.
	Konstrukcija razreda II	Dvojino izolirana konstrukcija
T6,3A	Taljivi vložki	Miniaturni taljivi vložki s časovnim zamikom
	CE	Ta izdelek je v skladu z veljavnimi direktivami ES.
	UKCA	Ta izdelek je v skladu z veljavno zakonodajo Združenega kraljestva.
	Odpadna električna in elektronska oprema (OEEO)	Odpadnih električnih izdelkov se ne sme odlagati med gospodinjnske odpadke. Odnosite jih k pooblaščenemu izvajalcu postopka recikliranja.
V	Volt	Napetost
A	Amperi	Tok
Hz	Hertz	Frekvenca (v cikih na sekundo)
W	Watt	Napajanje
min	Minute	Čas
	Izmenični tok	Vrsta toka
	Enosmerni tok	Vrsta ali značilnost toka

⚠️ OPOZORILO: Preberite in osvojite vsebino navodil. Neupoštevanje spodaj navedenih navodil se lahko odrazi v električnem udaru, požaru in/ali resnih telesnih poškodbah.

VARNOST DELOVNEGA OBMOČJA

- **Delovno območje naj bo čisto in dobro osvetljeno.** V neurejenih in temnih območjih se rade zgodijo nesreče.
- **Polnilnika EGO ne upravljajte v eksplozivnih okoljih, kot je ob prisotnosti vnetljivih tekočin, plinov ali prahu.** Polnilnik lahko ustvarja iskre, ki lahko zanežijo prah ali hlape.

ELEKTRIČNA VARNOST

- **Polnilnika ne izpostavljajte dežju ali vlažnim pogojem.** Voda v polnilniku znatno poveča tveganje električnega udara.

SL

- **Kabla ne uporabljajte za neustrezne namene.** Kabla ne uporabljajte za nošenje, vlečenje ali odklapanje polnilnika. Kabel hranite stran od vročine, olja, ostrih robov ali premikajočih se delov. Poškodovani ali zapleteni kabli zvišujejo tveganje električnega udara.
- S polnilnikom EGO lahko polnite litij-ionske baterijske sklope EGO, navedene spodaj:

POLNILNIK	BATERIJSKI SKLOPI
CHX5500E	BAX1500

SERVIS

- **Polnilnik naj servisira kvalificirano servisno osebje, ki uporablja le identične nadomestne dele.** To bo zagotovilo ohranjanje varnosti polnilnika.
- **Pri servisiranju polnilnika uporabljajte le identične nadomestne dele. Upošteвайте navodila v poglavju Vzdrževanje v tem priročniku.** Če uporabljate neodobrene dele ali ne upoštevate navodil v poglavju Vzdrževanje, lahko povzročite tveganje električnega udara ali poškodbe.

VARNOSTNA PRAVILA ZA POLNILNIK

⚠ SVARILO: Tega aparata ne smejo uporabljati osebe (vključno z otroki) z zmanjšanimi fizičnimi, čutnimi ali duševnimi sposobnostmi oziroma osebe s pomanjkanjem izkušenj ali znanja, razen če te osebe nadzoruje oseba, ki je odgovorna za njihovo varnost oziroma jim je ta oseba posredovala navodilo o uporabi aparata.

- **Pred uporabo polnilnika za baterije preberite vsa navodila in svarilne oznake v tem priročniku ter na polnilniku za baterije,** bateriji in na izdelku, da tako preprečite nepravilno uporabo izdelkov in mogočo poškodbo ali škodo.
- **Z mokrimi rokami ne rokujte s polnilnikom, vključno z vtičem polnilnika in sponkami polnilnika.**
- **Poskrbite, da bo kabel nameščen tako, da nanj ne bo mogoče stopiti, se spotakniti in da kabel ne bo prišel v stik z ostrimi robovi ali premikajočimi se deli ali bo kakor koli drugače izpostavljen poškodbam ali obremenitvam.** To bo zmanjšalo nevarnost za naključne padce, ki bi lahko povzročili poškodbo ali škodo na kablu, in kar bi se lahko kasneje odrazilo v električnem udaru.
- **Kabel in polnilnik hranite stran od vročine, da preprečite poškodbe ohišja ali notranjih delov.**

- **Ne dovolite, da bi bencin, olja, ali izdelki, ki temeljijo na naftnih derivatih, prišli v stik s plastičnimi deli.** Ti materiali vsebujejo kemikalije, ki lahko poškodujejo, oslabijo ali uničijo plastiko.
- **Če ima polnilnik poškodovan kabel ali vtič, ga ne uporabljajte, saj lahko pride do kratkega stika in električnega udara.** V primeru poškodb naj polnilnik popravi ali zamenja pooblaščen serviser v servisnem centru EGO.
- **Polnilnika ne razstavljajte.** Kadar je potreben servis ali popravilo, polnilnik odnesite k pooblaščenemu serviserju. Nepravilna ponovna montaža lahko prevede do električnega udara ali požara.
- **Polnilnik odklopite iz električne vtičnice pred kakršnim koli vzdrževanjem ali čiščenjem, da tako zmanjšate tveganje električnega udara.**
- **Kadar polnilnika ne uporabljate, ga odklopite iz napajanja.** To bo zmanjšalo nevarnost za električni udar ali poškodbo polnilnika, če bodo v odprtino padli kovinski delci. To bo tudi pomagalo preprečiti poškodbe polnilnika med nihanjem napetosti.
- **Tveganje električnega udara.** Ne dotikajte se neizoliranega dela izhodnega priključka ali neizoliranih baterijskih sponk.
- **Ta navodila shranite.** Pogosto jih preberite in jih uporabite za poučevanje drugih, ki uporabljajo to orodje. Če to orodje komu posodite, posodite tudi ta navodila, da preprečite nepravilno uporabo izdelka in možnosti poškodb.

POMEMBNA VARNOSTNA NAVODILA

- **Ta navodila shranite.** Ta priročnik vsebuje pomembne informacije glede varnosti in delovanja za 56-voltnega hitrega polnilnika CHX5500E.
- **Pred uporabo polnilnika za baterije preberite vsa navodila in svarilne oznake na polnilniku za baterije, bateriji in izdelku, s katerim uporabljate baterijo.**

TEHNIČNI PODATKI

Vhod polnilnika	220-240 V~50 Hz 550 W
Izhod polnilnika	4/8 A 56 V
Čas polnjenja	Polnjenje BAX1500 (1568 Wh): 3,5 h (hitro polnjenje) 7 h (običajno polnjenje)
Optimalna temperatura polnjenja	5°C-40°C
Teža polnilnika	1,6 kg

OPIS

SPNOZAJTE SVOJ POLNILNIK (Slika A)

1. Napajalni kabel
2. Izhodni vmesnik
3. Gumb
4. Lučka LED 1 (zelena)
5. Lučka LED 2 (zelena)
6. Lučka LED 3 (rdeča)
7. Vhodni vmesnik
8. Luknja za montažo na steno
9. Odprtina za hlajenje

DELOVANJE

KAKO NAPOLNITI BATERIJSKI SKLOP

⚠ OPOZORILO: Polnilnika ne uporabljajte zunaj ali ga izpostavljajte mokrim ali vlažnim razmeram. Voda v polnilniku znatno poveča tveganje električnega udara.

OPOMBA: Litij-ionski baterijski sklopi so dobavljeni delno napolnjeni. Pred prvo uporabo baterijski sklop popolnoma napolnite.

1. Vstavite ločen napajalni kabel v vhodni vmesnik (slika B).
2. Polnilnik priključite na napajanje (220–240 V/50 Hz).
3. Vstavite vtič za baterije v polnilnik, kot prikazuje slika C in D.
4. Polnilnik bo komuniciral z baterijskim sklopom, da bo ocenil stanje baterijskega sklopa.

5. Ko se baterijski sklop polni na običajni način, na polnilniku utripa zelena lučka LED 2. Če pritisnete zeleni gumb in pridržite prst na njem najmanj 1 sekundo, se običajni način polnjenja spremeni v hitri način polnjenja, zelena lučka 2, utripati pa začne zelena lučka LED 1. Ventilator v polnilniku neprestano deluje, da ohlaja baterijski sklop.
6. Ko je baterijski sklop popolnoma napolnjen, bo lučka LED, ki označuje polnjenje, prenehala utripati in bo svetila zeleno. Počakajte, da se ventilator ustavi, baterijski sklop odstranite iz polnilnika in polnilnik odklopite iz napajanja.
7. Če boste baterijski sklop pustili na polnilniku, se bo popolnoma napolnil, vendar se ne bo prenapolnil.

OPOMBA:

- Če je polnilnik povezan z virom napajanja v koraku 1 in če 3 lučke LED še vedno ne svetijo, glejte razdelek »OKVARA BATERIJSKEGA SKLOPA ALI POLNILNIKA«.
- Znatno zmanjšan čas delovanja po popolnem polnjenju baterijskega sklopa nakazuje, da so baterije blizu konca uporabnosti in jih je treba zamenjati.
- Med polnjenjem se lahko polnilnik segreje. To je običajen del delovanja polnilnika. Polnite v dobro prezračenem prostoru.

SL

LED FUNKCIJE POLNILNIKA

INDIKATOR LED	BATERIJA V NAHRBTNIKU		LUČKA LED NA POLNILNIKU			DELOVANJE
			LUČKA LED 1 (ZELENA)	LUČKA LED 2 (ZELENA)	LUČKA LED 3 (RDEČA)	
	Okvara		○	●		Baterijski sklop ali polnilnik je v okvari
	Skupna temperatura	Običajno polnjenje	○		●	Polnjenje se bo začelo, ko se bo temperatura baterijskega sklopa vrnila v normalni temperaturni obseg.
		Hitro polnjenje		○	●	Polnjenje se bo začelo, ko se bo temperatura baterijskega sklopa vrnila v normalni temperaturni obseg.
	Običajno polnjenje		○		○	Polnjenje 4 A
	Hitro polnjenje			○	○	Polnjenje 8 A
	Popolnoma napolnjena	Običajno polnjenje	○	●	○	Polnjenje je dokončano
		Hitro polnjenje	●	○	○	Polnjenje je dokončano
—	Uspešno dokončan samopregled		●	●	●	Polnilnik je mogoče uporabiti za polnjenje baterije
●: Sveti ○: Ne sveti : Utripa						

SL

POLNJENJE VROČEGA ALI HLADNEGA BATERIJSKEGA SKLOPA

Če je baterijski sklop izven normalnega temperaturnega obsega, bo lučka LED 3 svetila rdeče. Ko se baterijski sklop ohladi na približno 57 °C ali se segreje na več kot 3 °C, bo polnilnik samodejno začel s polnjenjem.

BATERIJSKI SKLOP ALI POLNILNIK JE V OKVARI

Ko je polnilnik povezan z virom napajanja, nemudoma zažene postopek samopregleda.

- Če med samopregledom pride do napake, nobena lučka LED ne bo utripala ali svetila.

Opomba: Poskusite napajalni kabel zaporedoma znova vstaviti v polnilnik in vir napajanja. Če lučke LED še vedno označujejo »napako«, se obrnite na središče za izdelke EGO, kjer bodo lahko popravili polnilnik.

- Če napajalnik uspešno opravi pregled, bodo tri lučke LED hkrati neprekinjeno svetile 1 sekundo, kar pomeni, da lahko polnilnik uporabite za polnjenje baterijskega sklopa. Če polnilnik med polnjenjem zazna težavo, bo lučka LED 3 začela utripati rdeče ali pa bodo vse lučke LED ugasnile.
 - Če zaznate okvaro, iztaknite vtič baterijskega sklopa in ga znova vtaknite v polnilnik. Če lučka LED v drugem poskusu še vedno nakazuje okvaro, poskusite polniti drug baterijski sklop.
 - Če se drug baterijski sklop normalno polni, okvarjen baterijski sklop odvrzite (glejte navodila v priročniku za baterijski sklop).
 - Če je tudi pri drugem baterijskem sklopu označeno, da je prišlo do »napake«, znova povežite polnilnik z virom napajanja, da rdeča lučka LED 3 ugasne. Če vse tri lučke LED še vedno ne svetijo ali pa lučka LED 3 utripa rdeče, je polnilnik morda okvarjen.

⚠ OPOZORILO: Priporočamo, da ne izvajate polnjenja, če je polnilnik okvarjen, saj lahko to privede do električnega udara ali resne poškodbe.

LUKNJE ZA NAMESTITEV NA STENO

Polnilnik ima luknje, ki omogočajo, da ga obesite na steno, za priročno shranjevanje. Vijake namestite v steno z razmikom 76 mm.

VZDRŽEVANJE

⚠ OPOZORILO: Med čiščenjem ali vzdrževanjem vedno odstranite baterijski sklop iz polnilnika, da se izognete hudim telesnim poškodbam.

⚠ OPOZORILO: Pri servisiranju uporabljajte le identične nadomestne dele EGO. Uporaba drugih delov je tvegana in lahko povzroči škodo na izdelku.

⚠ OPOZORILO: Za čiščenje polnilnika ni priporočljivo uporabljati stisnjenega suhega zraka. Če je čiščenje s stisnjenim zrakom edini način čiščenja, ki ga uporabljate, pri čiščenju polnilnika vedno nosite zaščitna očala ali varnostna očala s stransko zaščito. Če je postopek prašen, nosite tudi protiprašno masko.

⚠ OPOZORILO: Če je napajalni kabel poškodovan, uporabite le enak napajalni kabel. Če uporabljate neprimeren napajalni kabel, lahko pride do električnega udara ali poškodbe.

SPLOŠNO VZDRŽEVANJE

Pri čiščenju plastičnih delov se izogibajte uporabi topil. Večina vrst plastike se lahko pri uporabi različnih komercialnih topil poškoduje. Za odstranjevanje umazanije, praha, olja in maščobe uporabljajte čiste krpe.

⚠ OPOZORILO: Nikoli naj zavorna tekočina, gorivo, izdelki na osnovi naftnih derivatov, prodirajoče olje ne pridejo v stik s plastičnimi deli. Kemikalije lahko plastiko poškodujejo, oslabijo ali uničijo, kar lahko povzroči hude telesne poškodbe.

⚠ OPOZORILO: Pri servisiranju uporabljajte le identične nadomestne dele EGO. Uporaba drugih delov je tvegana in lahko povzroči škodo na izdelku. Za zagotovitev varnosti in zanesljivosti mora vsa popravila izvesti usposobljen serviser v servisnem centru EGO.

Varovanje okolja



Električne opreme, polnilnika baterij in baterij/baterij, ki jih je mogoče polniti, ne odvrzite med gospodinjne odpadke!

V skladu z evropskim zakonom 2012/19/EU glede električne in elektronske opreme, ki ni več uporabna, in v skladu z evropskim zakonom 2006/66/EC glede pokvarjenih ali izrabljenih baterijskih sklopov/baterij, je treba baterije zbrati ločeno.

Če električne naprave odvržete na smetišča, lahko nevarne snovi pronicajo v podtalnico in tako pridejo v prehranjevalno verigo, s čimer ogrozijo vaše zdravje in dobro počutje.



ODPRAVLJANJE TEŽAV

TEŽAVA	VZROK	REŠITEV
Polnilnik ne deluje. Lučka LED 3 utripa rdeče ali nobena lučka LED ne sveti.	Baterijski sklop ali polnilnik je v okvari ali pa je med baterijskim sklopom in polnilnikom slaba povezava.	<ul style="list-style-type: none">■ Baterijski sklop odstranite in ponovno namestite v polnilnik.■ Poskusite polniti drug baterijski sklop.■ Odklopite polnilnik in počakajte, da rdeča lučka LED ugasne, nato vtič znova priključite na napajanje.
	Prepogost vklop polnilnika	<ul style="list-style-type: none">■ Ko vse lučke LED ugasnejo, počakajte 30 sekund, nato pa polnilnik povežite z virom napajanja.
Polnilnik ne deluje in lučka LED 3 sveti rdeče.	Baterijski sklop je prevroč ali prehladen.	<ul style="list-style-type: none">■ Dovolite, da baterijski sklop doseže normalno temperaturo. Polnjenje se bo začelo, ko se bo temperatura baterijskega sklopa vrnila v normalni temperaturni obseg.

GARANCIJA

GARANCIJSKA POLITIKA DRUŽBE EGO

Za popolne pogoje garancijske politike družbe EGO obiščite spletno stran egopowerplus.com.

SL

PERSKAITYKITE VISAS INSTRUKCIJAS!



PERSKAITYKITE NAUDOTOJO VADOVĄ

Pastaba: šią instrukciją taip pat galite rasti kitu formatu, pvz., interneto svetainėje.

⚠ Liekamoji rizika! Žmonės, kuriems implantuoti elektroniniai prietaisai, pvz., širdies stimulatoriai, prieš pradėdami naudoti šį gaminį turėtų pasikonsultuoti su savo gydytoju (-ais). Šalia širdies stimulatoriaus veikianti elektros įranga gali sukelti širdies stimulatoriaus veikimo trukdžius arba gedimą.

⚠ ĮSPĖJIMAS: Norint užtikrinti saugų ir patikimą gaminio naudojimą, visus remonto darbus turi atlikti kvalifikuotas specialistas.

⚠ ĮSPĖJIMAS: Prietaisu gali naudotis vaikai nuo 8 metų bei žmonės, turintys mažesnius fizinius, jutimo arba protinius gebėjimus arba mažiau patirties ir žinių, jeigu yra prižiūrimi arba jiems buvo pateiktos instrukcijos, kaip saugiai naudotis prietaisu, ir jie supranta kylančius pavojus. Vaikams negalima žaisti su prietaisu. Vaikai gali valyti prietaisą ir atlikti prietaiso priežiūros darbus tik prižiūrimi.

SAUGOS SIMBOLIAI

Šių simbolių paskirtis – atkreipti dėmesį į galimus pavojus. Gerai susipažinkite su saugos simboliais bei jų paaiškinimais ir juos įsidėmėkite. Simbolių įspėjimai patys savaime negali apsaugoti nuo pavojų. Jais žymimi nurodymai ir įspėjimai neatstoja tinkamų nelaimingų atsitikimų prevencijos priemonių.

⚠ ĮSPĖJIMAS: Prieš pradėdami naudoti šį prietaisą perskaitykite visus šiame naudotojo vadove pateiktus saugos nurodymus, taip pat susipažinkite su visais saugos įspėjamaisiais simboliais, tokiais kaip „PAVOJUS“, „ĮSPĖJIMAS“ ir „DĖMESIO“, ir įsitikinkite, kad juos supratote. Nesilaikydami visų toliau išdėstytų nurodymų galite patirti elektros smūgį, sukelti gaisrą ir (ar) sunkiai susižaloti.

SAUGOS NURODYMAI

Šiame puslapyje pavaizduoti ir aprašyti saugos simboliai, kurių gali būti ant šio gaminio. Prieš pradėdami surinkti ir naudoti prietaisą, perskaitykite visus ant jo pateiktus nurodymus, įsitikinkite, kad juos supratote, ir jais vadovaukitės.

	Saugos įspėjimas	Atsargumo priemonės skirtos užtikrinti jūsų saugumą
	Skaityti naudotojo vadovą	Norėdama sumažinti susižalojimo pavojų, naudotojas privalo perskaityti naudotojo vadovą.
	Naudoti patalpoje	Prietaisą naudoti tik patalpoje
	II klasės konstrukcija	Konstrukcija su dviguba izoliacija
T6,3A 	Lydziosios jungės	Labai mažos lydziosios jungės su uždelsimu
	CE	Šis gaminis atitinka taikomas EB direktyvas.
	UKCA	Šis gaminis atitinka jam taikomus JK reglamentus.
	WEEE	Elektros prietaisų atliekas draudžiama utilizuoti kartu su buitėmis atliekomis. Perduoti įgiatomam perdirbėjui.
V	Voltsas	Įtampa
A	Amperai	Srovė
Hz	Hercas	Dažnis (ciklai per sekundę)
W	Vatas	Galia
min	Minutės	Laikas
	Kintamoji elektros srovė	Srovės tipas
	Nuolatinė elektros srovė	Srovės tipas arba charakteristika

⚠ ĮSPĖJIMAS: Perskaitykite ir išsiaiškinkite visus nurodymus. Nesilaikant visų toliau išdėstytų nurodymų, galima patirti elektros smūgį, sukelti gaisrą ir (ar) sunkiai susižaloti.

DARBO VIETOS SAUGA

- Darbo vieta turi būti švari ir gerai apšviesta. Jei darbo vieta netvarkinga ar blogai apšviesta, gali įvykti nelaimingų atsitikimų.
- Nenaudokite „EGO“ įkroviklio sprogioje aplinkoje, ten, kur yra degių skysčių, dujų ar dulkių. Įkroviklis gali sukelti kibirkštis, kurios gali uždegti dulkes arba garus.

ELEKTROSAUGA

- Nelaikykite įkroviklio lietuje arba drėgnose vietose. Į įkroviklį patekęs vanduo padidina pavojų patirti elektros smūgį.

LT

- **Tinkamai elkitės su maitinimo įtampos laidu.** Niekada nelaikykite už laido nešdami, traukdami arba atjungdami įkroviklį. Saugokite laidą nuo šilumos, alyvų, aštrių kampų ar judančių dalių. Pažeidus arba sunarpliojus laidus kyla didesnis pavojus patirti elektros smūgį.
- „EGO“ įkrovikliu galima įkrauti toliau išvardytus „EGO“ ličio jonų akumulatorius:

ĮKROVIKLIS	AKUMULIATORIŲ BLOKAI
CHX5500E	BAX1500

TECHNINĖ PRIEŽIŪRA

- Įkroviklio techninę priežiūrą turi atlikti kvalifikuotas asmuo ir dalis keisti tik originaliomis atsarginėmis dalimis. Taip užtikrinsite, kad įkroviklio saugumas nesumažės.
- Atlikdami įkroviklio techninę priežiūrą naudokite tik originalias atsargines dalis. Vadovaukitės šio vadovo techninės priežiūros skyriuje pateiktais nurodymais. Naudojant neoriginalias dalis ar nesilaikant techninės priežiūros nurodymų gali kilti elektros smūgio arba sužalojimų pavojus.

ĮKROVIKLIO SAUGOS NURODYMAI

⚠ DĖMESIO: Asmenys (įskaitant vaikus), turintys mažesnius fizinius, jutimo arba protinius gebėjimus arba mažiau patirties bei žinių, gali naudotis šiuo prietaisu tik tuomet, jeigu yra prižiūrėti arba už jų saugumą atsakingas asmuo juos instruktavo, kaip saugiai naudotis prietaisu.

- **Prieš naudodamiesi akumulatoriaus įkrovikliu perskaitykite visas instrukcijas ir perspėjamuosius ženklinius, pateiktus šiame vadove ir ant akumulatoriaus įkroviklio, akumulatorius ir prietaiso, kuriam bus naudojamas akumulatorius, kad išvengtumėte neteisingo gaminio naudojimo ir galimo sužalojimo arba žalos.**
- **Neimkite įkroviklio, įskaitant įkroviklio kištuko ir įkroviklio gnybtų, šlapiomis rankomis.**
- **Įsitinkinkite, kad ant laido neužmėnsite, už jo neužkliūsite, jis nesiliečia prie aštrių kraštų arba judančių dalių arba kitaip nebus pažeistas arba įtemptas.** Taip sumažinsite pavojų netikėtai nukristi, dėl ko galima susižeisti arba pažeisti laidą ir patirti elektros smūgį.

- **Laikykite laidą ir įkroviklį atokiau nuo šilumos, kad išvengtumėte korpuso arba vidinių dalių pažeidimo.**
- **Saugokite plastikines dalis, kad ant jų nepatektų benzinas, alyvos, naftos produktai ir pan.** Šiose medžiagose yra chemikalų, kurie gali pažeisti, susilpninti arba sunaikinti plastiką.
- **Nenaudokite įkroviklio su pažeistu laidu arba kištuku, nes tai gali sukelti trumpąjį jungimą arba elektros smūgį.** Pažeistą įkroviklį turi taisyti arba pakeisti įgaliotas techninės priežiūros specialistas „EGO“ techninio aptarnavimo centre.
- **Neardykite įkroviklio.** Jeigu reikalinga techninė priežiūra arba taisymas, nuneškite jį įgaliotam techninės priežiūros specialistui. Netinkamai surinkus prietaisą gali kilti elektros smūgio arba gaisro pavojus.
- **Prieš pradėdami techninės priežiūros arba valymo darbus atjunkite įkroviklį nuo elektros lizdo, kad sumažintumėte elektros smūgio pavojų.**
- **Nenaudojamą įkroviklį atjunkite nuo maitinimo šaltinio.** Taip sumažinsite pavojų patirti elektros smūgį arba sugadinti įkroviklį, jeigu į jo angą įkristų metalinių daiktų. Be to, taip išvengsite įkroviklio sugadinimo įtampos šuolio atveju.
- **Elektros smūgio pavojus.** Nelieskite neizoliuotos išvesties jungties dalies arba neizoliuoto akumulatoriaus gnybto.
- **Saugokite šią instrukciją.** Dažnai ją paskaitykite ir naudokitės ja mokydami kitus asmenis, kurie gali naudoti šį įrenginį. Skolindami šį prietaisą kam nors kitam, taip pat paskolinkite ir šias instrukcijas, kad būtų išvengta netinkamo gaminio naudojimo arba galimo sužalojimo.

SVARBŪS SAUGOS NURODYMAI

- **Saugokite šią instrukciją.** Šiame vadove yra svarbios saugos ir naudojimo instrukcijos, skirtos 56 V greitajam įkrovikliui CHX5500E.
- **Prieš naudodami akumulatoriaus įkroviklį perskaitykite visas instrukcijas ir perspėjamuosius ženklinius ant akumulatoriaus įkroviklio, akumulatoriaus ir gaminio, kuriam bus naudojamas akumulatorius.**

TECHNINIAI DUOMENYS

Įkroviklio įvestis	220-240 V~50 Hz 550 W
Įkroviklio išvestis	4/8 A 56 V
Įkrovimo trukmė	BAX1500 (1568 Wh) įkrovimas: 3,5 val. (greitasis įkrovimas) 7 val. (normalus įkrovimas)
Tinkamiausia įkrovimo temperatūra	5°C-40°C
Įkroviklio svoris	1,6 kg

APRAŠYMAS

SUSIPAŽINKITE SU SAVO ĮKROVIKLIU (Parodyta C)

1. Maitinimo laidas
2. Išvesties sąsaja
3. Mygtukas
4. 1 LED (žalias)
5. 2 LED (žalias)
6. 3 LED (raudonas)
7. Įvesties sąsaja
8. Tvirtinimo prie sienos anga
9. Aušinimo oro prievadas

VEIKIMAS

AKUMULIATORIAUS BLOKO ĮKROVIMAS

⚠️ ĮSPĖJIMAS: nenaudokite įkroviklio lauke ir nelaikykite šlapiose ir drėgnose vietose. Į įkroviklį patekęs vanduo padidina pavojų patirti elektros smūgį.

PASTABA: ličio jonų akumuliatoriai tiekiami iš dalies įkrauti. Prieš naudodami akumuliatorių bloką pirmą kartą, pilnai jį įkraukite.

1. Į įvesties sąsają įkiškite atskirą maitinimo laidą (B pav.).
2. Prijunkite įkroviklį prie maitinimo šaltinio (220–240 V/50 Hz).
3. Akumuliatoriaus kištuką įkiškite į įkroviklį, kaip parodyta C ir D paveiksluose.
4. Įkroviklis palaiko ryšį su akumuliatoriumi, kad įvertintų akumuliatoriaus būklę.

5. Jei akumuliatoriaus bloko įkrovimas vyksta normaliai, mirkčioja įkroviklio 2 LED žalias indikatorius. Paspaudę ir bent 1 sekundę palaikę nuspaustą žalią mygtuką, normalų įkrovimą pakeisite į greitąjį įkrovimą: 2 LED žalias indikatorius užges, o užsidegs ir mirkčios 1 LED žalias indikatorius. Įkroviklyje sumontuotas ventiliatorius veikia nuolat, aušindamas akumuliatorių bloką.
6. Akumuliatorių blokui pilnai įsikrovus, įkroviklio LED indikatoriai nustoja mirkčioti ir pradeda nuolat šviesti žalia spalva. Palaukite, kol sustos aušinimo ventiliatorius, nuimkite akumuliatorių nuo įkroviklio ir atjunkite įkroviklį nuo maitinimo šaltinio.
7. Įkroviklyje paliktas akumuliatoriaus blokas pilnai įsikraus, tačiau apkrovos maksimumo neviršys.

PASTABA:

- Jei prijungus įkroviklį prie maitinimo įtampos (žr. 1 žingsnį) nei vienas iš 3 LED indikatorių nedega, skaitykite skyrių „SUGEDĘS AKUMULIATORIŲ BLOKAS AR ĮKROVIKLIS“.
- Jei pilnai įkrovus akumuliatorių bloką jo veikimo laikas gerokai sutrumpėja, tai rodo, kad baigiasi akumuliatorių eksploatavimo laikas ir juos reikia pakeisti.
- Įkrovimo metu įkroviklis gali įkaisti. Tai yra normalu. Įkrovimą vykdykite gerai vėdinamoje vietoje.

ĮKROVIKLIO LED FUNKCIJOS

LED INDIKATORIUS	ANT NUGAROS NEŠIOJAMAS AKUMULIATORIŲ BLOKAS		ĮKROVIKLIO LED INDIKATORIUS			VEIKSMAS
			1 LED (ŽALIAS)	2 LED (ŽALIAS)	3 LED (RAUDONAS)	
	Sugedęs		○	●		Akumuliatorių blokas arba įkroviklis sugedęs
	Per aukšta temperatūra	Normalus įkrovimas	○		●	Įkrovimas prasidės, kai akumuliatorių bloko temperatūra nukris iki normalios
		Greitasis įkrovimas		○	●	Įkrovimas prasidės, kai akumuliatorių bloko temperatūra nukris iki normalios
	Normalus įkrovimas		○		○	Įkrovimas 4 A srove
	Greitasis įkrovimas			○	○	Įkrovimas 8 A srove
	Pilnai įkrautas	Normalus įkrovimas	○	●	○	Įkrovimas užbaigtas
		Greitasis įkrovimas	●	○	○	Įkrovimas užbaigtas
—	Sėkminga savipatikra		●	●	●	Įkroviklį galima naudoti akumuliatoriui įkrauti

●: Įjungtas ○: Išjungtas : Mirkčioja

LT

ĮKAITUSIO ARBA ATŠALUSIO AKUMULIATORIŲ BLOKO ĮKROVIMAS

Jeigu akumuliatoriaus bloko temperatūra neatitinka normalios temperatūros ribų, 3 LED indikatorius dega raudonai. Kai akumuliatoriaus temperatūra nukrenta iki maždaug 57 °C arba pakyla virš 3 °C, įkroviklis automatiškai pradeda įkrovimą.

SUGEDĘS AKUMULIATORIŲ BLOKAS ARBA ĮKROVIKLIS

Prijungus įkroviklį prie maitinimo įtampas, jis iš karto pradeda savipatikros procedūrą.

1. Jeigu ši procedūra nepavyksta, nei viena LED indikatorius nedega ir nemirkčioja.

Pastaba: bandykite atjungti dar kartą prijungti maitinimo laidą prie įkroviklio ir elektros lizdo. Jeigu LED indikatoriai vis tiek nedega, kreipkitės į „EGO“ techninės priežiūros centrą, kad suremontuotų jūsų įkroviklį.

2. Jeigu savipatikros procedūra sėkminga, visi trys LED indikatoriai vienu metu užsidegs ir degs 1 sekundę, o tai reiškia, kad įkroviklį galima naudoti akumuliatorių blokui įkrauti. Jeigu įkroviklis aptinka problemą įkrovimo metu, 3 LED indikatorius pradeda mirkčioji raudonai arba visi LED indikatoriai išsijungia.
 - Jeigu LED indikatoriai rodo gedimą, ištraukite ir vėl įkiškite akumuliatorių bloko kištuką į įkroviklį. Jeigu LED indikatoriai rodo gedimą ir antrą kartą, pabandykite įkrauti kitą akumuliatorių bloką.
 - Jeigu kitas akumuliatorių blokas įkraunamas normaliai, sugedusį akumuliatorių bloką utilizuokite (žr. nurodymus akumuliatorių bloko vadove).
 - Jeigu su kitu akumuliatorių bloku LED indikatoriai taip pat rodo gedimą, atjunkite ir vėl prijunkite įkroviklį prie maitinimo įtampas, kad 3 LED raudonas indikatorius užgestų. Jeigu visi trys LED indikatoriai vis tiek nedega arba 3 LED mirkčioja raudonai, įkroviklis gali būti sugedęs.

⚠️ ĮSPĖJIMAS: nerekomenduojama bandyti įkrauti naudojant įkroviklį, kuriam savipatirkros sistema nustatė gedimą, nes galite patirti elektros smūgį ar net sunkiai susižaloti.

TVIRTINIMO PRIE SIENOS ANGOS

Įkroviklyje yra pakabinimui ant sienos skirtos angos, kad būtų patogų jį laikyti. Sienoje įsukite varžtus 76 mm atstumu vienas nuo kito.

TECHNINĖ PRIEŽIŪRA

⚠️ ĮSPĖJIMAS: kad išvengtumėte rimtų sužalojimų, visada išimkite akumuliatorių bloką iš įkroviklio, kai valote arba vykdote techninės priežiūros procedūras.

⚠️ ĮSPĖJIMAS: atlikdami techninės priežiūros darbus, naudokite tik originalias „EGO“ atsargines dalis. Naudojant bet kokias kitas dalis, gali kilti pavojus arba sugesti gaminys.

⚠️ ĮSPĖJIMAS: nerekomenduojama naudoti suspaustąjį sausą orą įkrovikliui valyti. Jeigu valymas suspaustuoju oru yra vienintelis valymo būdas, valydami įkroviklį visada dėvėkite akių apsaugą arba apsauginius akinius su šoninėmis apsaugomis. Jeigu valymo metu susidaro daug dulkių, naudokite respiratorių.

⚠️ ĮSPĖJIMAS: jeigu pažeistas maitinimo laidas, jį pakeiskite identišku maitinimo laidu. Dėl netinkamo laido gali kilti elektros smūgio pavojus ir galite susižaloti.

BENDROJI PRIEŽIŪRA

Plastikinių dalių nevalykite tirpikliais. Įvairūs komerciniai tirpikliai gali pažeisti daugelį plastikų ir jų nerekomenduojama naudoti, nes gali sugadinti gaminį. Purvo, dulkių, alyvos, tepalo ir pan. valymui naudokite švarų audinį.

⚠️ ĮSPĖJIMAS: plastikines dalis saugokite nuo stabdžių skysčių, benzino, naftos produktų, skvarbios alyvos ir pan. Chemikalai gali sugadinti, susilpninti arba suardyti plastiką ir dėl to galite sunkiai susižaloti.

⚠️ ĮSPĖJIMAS: atlikdami techninės priežiūros darbus, naudokite tik originalias „EGO“ atsargines dalis. Naudojant bet kokias kitas dalis, gali kilti pavojus arba sugesti gaminys. Norint užtikrinti saugumą ir patikimumą, visus remonto darbus turi atlikti kvalifikuotas specialistas „EGO“ techninės priežiūros centre.

Aplinkos apsauga



Neišmeskite elektros įrangos, akumuliatorių ar įkroviklio ir akumuliatorių ar įkraunamų akumuliatorių su buitinėmis atliekomis!

Pagal Europos Parlamento ir Tarybos direktyvas 2012/19/EB ir 2006/66/EB nenaudojama elektros bei elektronikos įranga ir nenaudojami arba sugedę akumuliatorių blokai ir (ar) baterijos turi būti surenkami atskirai.

Jei elektriniai prietaisai išmetami į užkasamuosius arba atvirouosius sąvartynus, kenksmingos medžiagos gali prisisunkti iki gruntinio vandens, patekti į mitybos grandinę ir kenkti jūsų sveikatai bei gerovei.



TRIKČIŲ DIAGNOSTIKA

PROBLEMA	PRIEŽASTIS	SPRENDIMAS
Įkroviklis neveikia. 3 LED indikatorius mirkčioja raudonai arba visi LED indikatoriai nedega.	Akumuliatorių blokas arba įkroviklis yra sugedęs arba blogas kontaktas tarp akumuliatorių bloko ir įkroviklio.	<ul style="list-style-type: none">■ Pabandykite išimti ir vėl įdėti akumuliatorių bloką į įkroviklį.■ Pabandykite įkrauti kitą akumuliatorių bloką.■ Atjunkite įkroviklį nuo maitinimo įtampos ir palaukite, kol užges raudonas LED indikatorius, o po to vėl prijunkite prie maitinimo įtampos.
	Įkroviklį įjungiate per greitai	<ul style="list-style-type: none">■ Įkroviklį prijunkite prie maitinimo įtampos praėjus 30 sekundžių po LED indikatorius užgesimo.
Įkroviklis neveikia ir 3 LED indikatorius šviečia raudonai.	Akumuliatorius per daug įkaitęs arba atšalęs.	<ul style="list-style-type: none">■ Palaukite, kol akumuliatoriaus temperatūra pasieks normalią temperatūrą. Įkrovimas prasidės, kai akumuliatorių bloko temperatūra pasieks normalią temperatūrą.

GARANTIJA

EGO GARANTINIS POLISAS

Norėdami sužinoti visas „EGO“ garantinio poliso sąlygas, apsilankykite interneto svetainėje egopowerplus.com.

LT

IZLASIET VISAS INSTRUKCIJAS!



IZLASIET EKSPLOATĀCIJAS ROKASGRĀMATU

Piezīme! Šīs instrukcijas ir pieejamas arī citā veidā, piemēram, tīmekļa vietnē.

⚠ Atlikušais risks! Personām, kuras lieto elektroniskas ierīces, piemēram, elektrokardiostimulatorus, pirms šīs ierīces lietošanas jākonsultējas ar savu ārstu. Elektrisko iekārtu darbība elektrokardiostimulatora tuvumā var izraisīt tā darbības traucējumus vai apstāšanos.

⚠ BRĪDINĀJUMS! Lai garantētu drošību un uzticamību, visi remontdarbi jāveic kvalificētam apkopes tehnikim.

⚠ BRĪDINĀJUMS! Šo ierīci drīkst lietot bērni, kuri ir jaunāki par 8 gadiem un personas ar fiziskām, maņu vai garīgām spējām, kuru pieredze vai zināšanas, kā rīkoties ar ierīci, nav pietiekamas, ja tās uzrauga par viņu drošību atbildīgā persona, tām ir sniegti drošas lietošanas norādījumi, un šīs personas izprot briesmas, kas rodas, lietojot ierīci nepareizi. Neļaut bērniem rotāļties ar ierīci. Bērniem nav atļauts veikt tīrīšanas un lietotājam veicamās apkopes darbus bez uzraudzības.

DROŠĪBAS APZĪMĒJUMI

Drošības apzīmējumi ir paredzēti, lai pievērstu Jūsu uzmanību iespējamam apdraudējumam. Drošības apzīmējumiem un to skaidrojumiem jāpievērš īpaša uzmanība, un tie pilnībā jāizprot. Apzīmējumu brīdinājumi paši par sevi nenovērš apdraudējumu. Apzīmējumos iekļautie norādījumi un brīdinājumi neaizstāj atbilstošus darba drošības pasākumus.

⚠ BRĪDINĀJUMS! Pirms šīs ierīces lietošanas izlasiet un izprotiet visus šajā ekspluatācijas rokasgrāmatā iekļautos drošības norādījumus, tostarp visus drošības brīdinājuma apzīmējumus, piemēram, „**BĪSTAMI!**”, „**BRĪDINĀJUMS!**” un „**UZMANĪBU!**”. Visu turpmāk uzskaitīto norādījumu neievērošana var izraisīt elektriskās strāvas triecienu, ugunsgrēku un/vai smagus miesas bojājumus.

DROŠĪBAS INSTRUKCIJAS

Šajā lapaspusē ir parādīti un aprakstīti drošības apzīmējumi, kas var būt norādīti uz šī produkta. Pirms ierīces salikšanas un lietošanas izlasiet, izprotiet un ievērojiet visus norādījumus par ierīci.

	Drošības brīdinājums	Piesardzības pasākumi Jūsu drošībai
	Izlasiet ekspluatācijas rokasgrāmatu	Lai mazinātu traumu rašanās bīstamību, lietotājam jāizlasa ekspluatācijas rokasgrāmata.
	Lietošanai iekšstelpās	Lietojiet šo ierīci tikai iekšstelpās
	II klases konstrukcija	Divkārtšas izolācijas konstrukcija
	Drošinātāju ieliktni	Miniatūro drošinātāju ieliktnis, laika aizkave
	CE	Šis izstrādājums atbilst piemērojamajām Eiropas Komisijas (EK) direktīvām.
	UKCA	Šis produkts atbilst spēkā esošajiem Apvienotās Karalistes tiesību aktiem.
	EEIA	Elektriskos izstrādājumus nedrīkst utilizēt kopā ar sadzīves atkritumiem. Nogādājiet tos pilnvarotam atkritumu pārstrādātājam.
V	Volti	Spriegums
A	Ampēri	Strāva
Hz	Herci	Frekvence (ciklī sekundē)
W	Vati	Jauda
min	Minūtes	Laiks
	Mainstrāva	Strāvas veids
	Līdzstrāva	Strāvas veids vai raksturīgās īpašības

⚠ BRĪDINĀJUMS! Izlasiet un izprotiet visas instrukcijas. Visu turpmāk uzskaitīto instrukciju neievērošana var izraisīt elektriskās strāvas triecienu, ugunsgrēku un/vai smagas traumas.

DROŠĪBA DARBA ZONĀ

- **Uzturiet darba zonu tīru un labi apgaismotu.** Nesakārtota un slikti apgaismotā darba zonā var notikt nelaimes gadījumi.
- **Nedarbiniet EGO lādētāju sprādzienbīstamās vidēs, piemēram, vidē, kurā atrodas uzliesmojoši šķidrumi, gāzes vai putekļi.** Lādētājs rada dzirksteles, kas var aizdedzināt putekļus vai tvaikus.

ELEKTRODROŠĪBA

- **Sargājiet lādētāju no lietus vai mitruma.** Ūdens iekļūšana lādētājā paaugstina risku saņemt elektriskās strāvas triecienu.

- **Nebojāriet strāvas vadu.** Nekad neizmantojiet strāvas vadu lādētāja nešanai, vilkšanai vai atvienošanai no elektrotīkla. Sargājiet strāvas vadu no karstuma, eļļas, asām malām vai kustīgām daļām. Bojāti vai samudzināti strāvas vadi palielina risku saņemt elektriskās strāvas triecienu.
- Ar EGO lādētāju var uzlādēt zemāk norādītos EGO litija jonu akumulatorus:

LĀDĒTĀJS	AKUMULATORU BLOKI
CHX5500E	BAX1500

SERVISS

- Jūsu lādētājam remontdarbus veic tikai kvalificēts speciālists, kas izmanto tikai identiskas rezerves daļas. Tādējādi tiek saglabāta lādētāja ekspluatācijas drošība.
- Veicot lādētājam remontdarbus, izmantojiet tikai identiskas rezerves daļas. Vienmēr ievērojiet instrukcijas, kas norādītas šīs rokasgrāmatas nodaļā „Apkope”. Neapstiprinātu daļu izmantošanas vai apkopes instrukciju neievērošanas gadījumā var rasties elektriskās strāvas trieciena vai traumu gūšanas risks.

LĀDĒTĀJA LIETOŠANAS DROŠĪBAS NOTEIKUMI

⚠ UZMANĪBU! Ierīce nav paredzēta lietošanai personām (tostarp bērniem) ar ierobežotām fiziskām, maņu vai garīgām spējām vai pieredzes un zināšanu trūkumu, ja vien tās neuzrauga vai nav apmācījuši lietot šo ierīci par viņu drošību atbildīgā persona.

LV

- **Pirms izmantot akumulatora lādētāju,** izlasiet visas instrukcijas un aplūkojiet drošības apzīmējumus, kas norādīti šajā rokasgrāmatā, uz akumulatora lādētāja, akumulatora un produkta, lai nodrošinātu pareizu produkta lietošanu un pasargātu sevi un citus no iespējamo traumu gūšanas vai produkta sabojāšanas.
- **Neņemiet rokās lādētāju un lādētāja kontaktdakšu vai lādētāja kontaktus ar mitrām rokām.**
- **Strāvas vadam jābūt novietotam vietā, kur uz tā nevar uzkāpt, paklupt, vads nevar nonākt saskarē ar asām malām vai kustīgām daļām vai kādā citā veidā tikt sabojāts vai pakļauts spriegumam.** Tas mazīna ar kritieniem saistītu risku, kas var radīt savainojumu vai vada bojājumu, izraisot elektriskās strāvas triecienu.
- **Sargājiet strāvas vadu un lādētāju no karstuma, lai novērstu korpusa vai iekšējo daļu bojājumus.**

- **Raugiet, lai benzīns, eļļas, naftas u.c. produkti nenonāktu saskarē ar plastmasas detaļām.** Šīs vielas satur ķīmiskas vielas, kas var bojāt vai iznīcināt plastikāta detaļas vai padarīt tās trauslas.
- **Neizmantojiet lādētāju, ja tam ir bojāts strāvas vads vai kontaktdakša, kas var izraisīt issavienojumu un elektriskās strāvas triecienu.** Ja lādētājam radies bojājums, nogādājiet to uz EGO servisa centru, kurā pilnvarots servisa speciālists veiks labošanas darbus, vai arī nomainīs ar jaunu lādētāju.
- **Lādētāju nav atļauts izjaukt.** Ja tam ir nepieciešams remonts vai apkope, nogādājiet to kvalificētam servisa tehnikam. Nepareizi salikts lādētājs rada elektriskās strāvas trieciena risku vai ugunsgrēka draudus.
- **Lai mazinātu elektriskās strāvas trieciena risku, pirms apkopes vai tīrīšanas darbu veikšanas lādētāja strāvas vads ir jāizvelk no kontaktligzdas.**
- **Kad lādētāju nelietojat, atvienojiet strāvas vadu no barošanas avota.** Tas mazinās elektriskās strāvas trieciena vai uzlādes ierīces sabojāšanas risku gadījumā, ja atverē iekritis kāds metāla gabaliņš. Šādi var novērst pārsprieguma radītus lādētāja bojājumus.
- **Elektriskās strāvas trieciena risks** Nepieskarieties izejas savienotāja daļai un akumulatora spaiļiem, kurām nav izolācijas.
- **Saglabājiet šīs instrukcijas.** Vairākkārt pārlasiet un izmantojiet šīs instrukcijas, lai sniegtu norādījumus citiem, kas izmanto šo ierīci. Ja kādam aizdodat šo ierīci, iedodiet līdz ar šīs instrukcijas, lai nodrošinātu pareizu lādētāja izmantošanu un nerastos traumu gūšanas bīstamība.

SVARĪGAS DROŠĪBAS INSTRUKCIJAS

- **Saglabājiet šīs instrukcijas.** Šajā rokasgrāmatā ir iekļauta svarīgas drošības un ekspluatācijas instrukcijas ātrajam 56 V lādētājam CHX5500E.
- **Pirms akumulatora lādētāja lietošanas, izlasiet visas instrukcijas un brīdinājumu apzīmējumus, kas norādīti uz akumulatora lādētāja, akumulatora un produkta, kurā tiek izmantots akumulators.**

SPECIFIKĀCIJA

Lādētāja ievade	220-240 V~50 Hz 550 W
Lādētāja izvade	4/8 A 56 V
Uzlādes laiks	BAX1500 (1568 Wh) uzlāde: 3,5 h (ātrā uzlāde) 7 h (parastā uzlāde)
Optimālā uzlādes temperatūra	5°C-40°C
Lādētāja svars	1,6 kg

APRAKSTS

PĀRZINIET SAVU LĀDĒTĀJU (Attēlā A)

1. Strāvas vads
2. Izejas interfeiss
3. Poga
4. LED 1 (zaļa)
5. LED 2 (zaļa)
6. LED 3 (sarkana)
7. Ieejas interfeiss
8. Caurumiņš ierīces uzstādīšanai pie sienas
9. Dzesēšanas gaisa pieslēgvietā

LIETOŠANA

KĀ UZLĀDĒT AKUMULATORA BLOKU

⚠ BRĪDINĀJUMS! Nelietojiet lādētāju ārpus telpām un nepakļaujiet lietus vai mitriem apstākļiem. Ūdens iekļūšana lādētājā paaugstina risku saņemt elektriskās strāvas triecienu.

PIEZĪME! Litija jonu akumulatoru bloki tiek piegādāti daļēji uzlādētā stāvoklī. Pirms to pirmreizējās lietošanas uzlādējiet akumulatoru bloku pilnībā.

1. Ievietojiet atsevišķu strāvas vadu ieejas interfeisā (B att.).
2. Pievienojiet lādētāju pie barošanas avota (220-240V/50Hz).

3. Ievietojiet akumulatora kontaktdakšu lādētājā, kā parādīts attēlā C un D.
4. Lādētājs sazināsies ar akumulatoru, lai novērtētu akumulatora uzlādes statusu.
5. Ja akumulators tiek uzlādēts ar parasto uzlādi, mirgo lādētāja zaļais LED 2 indikators. Turot nospiestu zaļo pogu vismaz 1 sekundi, parastā uzlāde pāries uz ātro uzlādi, nodzīsīs lādētāja zaļais LED 2 indikators un sāks mirgot lādētāja zaļais LED 1 indikators. Lādētāja ventilators nepārtraukti darbojas, lai dzesētu akumulatora bloku.
6. Kad akumulators ir pilnībā uzlādēts, lādēšanas indikatora LED gaismas pārstāj mirgot un vienmērīgi deg zaļā krāsā. Pagaidiet, kamēr dzesēšanas ventilators apstājas, izņemiet akumulatora bloku no lādētāja un atvienojiet lādētāju no barošanas avota.
7. Akumulatora bloks pilnībā uzlādēsies, ja tiks atstāts lādētājā, taču tas netiks pārlādēts.

PIEZĪME.

- Ja lādētājs ir pievienots strāvas padevei 1. solī un vēl aizvien nedeg visas 3 LED gaismas, skatiet nodaļu „DEFEKTĪVS AKUMULATORU BLOKS VAI LĀDĒTĀJS”.
- Ja akumulatoru bloks ir pilnībā uzlādēts, bet tā darbības laiks ir ievērojami saīsinājies, tas norāda, ka akumulatoru kalpošanas laiks tuvojas beigām un tie ir jānomaina.
- Lādēšanas laikā lādētājs var sakarst. Tas lādētāja darbībā ir normāli. Uzlādējiet labi vēdināmā vietā.

LĀDĒTĀJA LED FUNKCIJAS

LED INDIKATORS	MUGURSOMĀS TIPIA AKUMULATORS		LĀDĒTĀJA LED			DARBĪBA
			LED 1 (ZAĻĀ)	LED 2 (ZAĻĀ)	LED 3 (SARKANA)	
	Defektīvs		○	●		Akumulatora bloks vai lādētājs ir defektīvs
	Pārāk augsta temperatūra	Parastā uzlāde	○		●	Uzlāde sākas, tiklīdz akumulatora bloks atgriežas normālā temperatūrā.
		Ātrā uzlāde		○	●	Uzlāde sākas, tiklīdz akumulatora bloks atgriežas normālā temperatūrā.
	Parastā uzlāde		○		○	4A uzlāde
	Ātrā uzlāde			○	○	8A uzlāde
	Pilnībā uzlādēts	Parastā uzlāde	○	●	○	Uzlāde pabeigta
		Ātrā uzlāde	●	○	○	Uzlāde pabeigta
—	Pašpārbaude veiksmīgi pabeigta		●	●	●	Lādētāju var izmantot akumulatora uzlādei

●: Ieslēgts ○: Izslēgts : Mirgo

KARSTĀ VAI AUKSTĀ AKUMULATORU BLOKA UZLĀDE

Ja akumulatora bloka temperatūra ir ārpus diapazona, sarkanā krāsā iedegsies LED 3 indikators. Kad akumulators atdziest līdz apmēram 57 °C vai vairsilst līdz vairāk kā 3 °C, lādētājs automātiski sāk uzlādi.

DEFEKTĪVS AKUMULATORU BLOKS VAI LĀDĒTĀJS

Tiklīdz lādētājs tiek pievienots barošanas avotam, tas nekavējoties sāk pašpārbaudi.

1. Ja pašpārbaude netiek veiksmīgi pabeigta, nedegs vai nemirgos neviens LED indikators.

Piezīme! Mēģiniet atkārtoti iespraust strāvas vadu lādētājā un barošanas avotā secīgi. Ja LED indikatori uzrāda kļūmi otro reizi, nogādājiet lādētāju uz EGO centru, lai to saremontētu.

2. Ja lādētājs veiksmīgi pabeidz pārbaudi, vienlaicīgi uz 1 sekundi iedegsies visi 3 LED indikatori, kas nozīmē, ka lādētāju var izmantot akumulatora uzlādei. Uzlādes laikā, ja lādētājs uzrāda kļūmi, sarkanā krāsā sāks mirgot LED 3 vai arī izslēgsies visi LED indikatori.

- Ja tiek reģistrēts bojājums, izņemiet un vēlreiz iespraudiet akumulatora kontaktdakšu lādētājā. Ja LED arī otrreiz uzrāda „defektīvu” statusu, mēģiniet uzlādēt citu akumulatora bloku.
- Ja cits akumulatora bloks uzlādējas normāli, likvidējiet defektīvo akumulatora bloku (skatīt instrukcijas akumulatora bloka rokasgrāmatā).
- Ja arī cits akumulatora bloks uzrāda „defektīvu” statusu, vēlreiz pievienojiet lādētāju barošanas avotam, līdz pārstāj degt sarkanais LED 3 indikators. Ja nedeg neviens no 3 LED indikatoriem, vai sarkanā krāsā mirgo LED 3, lādētājs, iespējams, ir bojāts.

⚠ BRĪDINĀJUMS! Ierīci nav ieteicams uzlādēt, kamēr lādētājs uzrāda „defektīvu” statusu, jo tas var izraisīt elektrošoku vai pat nopietnus miesas bojājumus.

CAURUMIŅI IERĪCES UZSTĀDĪŠANAI PIE SIENAS

Lādētājam ir caurumiņi, kas paredzēti ierīces uzstādīšanai pie sienas, lai to ērti uzglabātu. Ieskrūvējiet sienā skrūves 76 mm attālumā.

APKOPE

⚠ BRĪDINĀJUMS! Lai izvairītos no nopietnu traumu gūšanas, vienmēr pirms tīrīšanas vai apkopes darbu veikšanas atvienojiet no lādētāja akumulatoru bloku.

⚠ BRĪDINĀJUMS! Veicot apkopes darbus, vienmēr izmantojiet identiskas EGO rezerves daļas. Jebkuru citu daļu izmantošana var radīt apdraudējumu vai produkta bojājumus.

⚠ BRĪDINĀJUMS! Lādētāja tīrīšanai nav ieteicams izmantot saspiesto gaisu. Ja saspiegtā gaisa izmantošana ir vienīgais veids, kā iespējams iztīrīt šo ierīci, vienmēr tīrīšanas laikā lietojiet standarta aizsargbrilles vai aizsargbrilles ar sānu aizsargiem. Ja darbības laikā rodas putekļi, lietojiet arī elpceļu aizsargmasku.

⚠ BRĪDINĀJUMS! Ja strāvas vads ir bojāts, nomainiet to ar identisku strāvas vadu. Tādu strāvas vadu lietošana, kas nav paredzēti šim lādētājam, var radīt elektrošoka vai traumu gūšanas risku.

VISPĀRĒJĀ APKOPE

Plastmasas detaļu tīrīšanai neizmantojiet šķīdinātājus. Vairums plastmasu ir uzņēmīgas pret dažāda veida komerciālu šķīdinātāju radītiem bojājumiem un, tos izmantojot, var tikt sabojātas. Lai notīrītu netīrumus, putekļus, eļļu, smērvielas u.c., izmantojiet tīras lupatiņas.

⚠ BRĪDINĀJUMS! Plastmasas daļas nekādā gadījumā nedrīkst saskarties ar bremžu šķidrumu, degvielu, naftas produktiem, iesūcošos eļļu un tamlīdzīgi. Ķīmiskās vielas var radīt bojājumus, kā arī mazināt plastmasas daļas izturību vai iznīcināt tās, radot smagus miesas bojājumus.

⚠ BRĪDINĀJUMS! Veicot apkopes darbus, vienmēr izmantojiet identiskas EGO rezerves daļas. Jebkuru citu daļu izmantošana var radīt apdraudējumu vai produkta bojājumus. Lai garantētu drošību un uzticamību, visi remontdarbi ir jāveic kvalificētam tehniskajam darbiniekam EGO servisa centrā.

Apkārtējās vides aizsardzība



Neizmetiet elektroierīces, akumulatora lādētāju un baterijas/uzlādējamus akumulatorus māsasaimniecības atkritumos!

Saskaņā ar Eiropas Parlamenta un Padomes Direktīvu Nr. 2012/19/ES, kā arī Direktīvu Nr. 2006/66/EK nederīgas elektriskās un elektroniskās iekārtas un bojāti vai izlietoti akumulatori/baterijas jāsavāc atsevišķi.

Ja elektroierīces tiek izmestas atkritumu poligonos vai izgāztuvēs, gruntsūdenī var iekļūt bīstamas vielas, piesārņojot barības ķēdi, kaitējot veselībai un labsajūtai.

KLŪMJU NOVĒRŠANA

PROBLĒMA	CĒLONIS	RISINĀJUMS
Lādētājs nedarbojas. LED 3 mirgo sarkanā krāsā vai arī pārstāj degt visi LED indikatori	Akumulatora bloks vai lādētājs ir bojāts vai starp akumulatora bloku un lādētāju ir slikts savienojums.	<ul style="list-style-type: none">■ Mēģiniet izņemt akumulatora bloku un ievietot to lādētājā no jauna.■ Mēģiniet uzlādēt citu akumulatoru bloku.■ Atvienojiet lādētāju un pagaidiet, līdz sarkanais LED indikators izdziest, pēc tam pievienojiet kontaktdakšu barošanas avotam.
	Lādētājs pārāk bieži izslēdzas	
Lādētājs nedarbojas un LED 3 deg sarkanā krāsā.	Akumulatora bloks ir pārāk karsts vai pārāk auksts.	<ul style="list-style-type: none">■ Ļaujiet akumulatoram sasniegt normālu temperatūru. Uzlāde sāksies, tiklīdz akumulatora bloks atgriezies normālā temperatūrā.

GARANTIJA

EGO GARANTIJAS POLITIKA

Lūdzu, apmeklējiet tīmekļa vietni egopowerplus.com, kur pieejama pilna EGO garantijas politikas noteikumu un nosacījumu versija.

ΔΙΑΒΑΣΤΕ ΟΛΕΣ ΤΙΣ ΟΔΗΓΙΕΣ!



ΔΙΑΒΑΣΤΕ ΤΟ ΕΓΧΕΙΡΙΔΙΟ ΧΡΗΣΗΣ

Ειδοποίηση: Αυτές οι οδηγίες θα είναι επίσης διαθέσιμες σε εναλλακτική μορφή, π.χ. σε μια ιστοσελίδα.

⚠ Υπολειπόμενοι κίνδυνοι! Άνθρωποι που φέρουν ηλεκτρονικές συσκευές όπως βηματοδότες πρέπει να συμβουλευονται τους γιατρούς τους πριν τη χρήση αυτού του προϊόντος. Η λειτουργία ηλεκτρικών εξοπλισμών κοντά σε βηματοδότη μπορεί να προκαλέσει παρεμβολές ή βλάβη στον βηματοδότη.

⚠ ΠΡΟΕΙΔΟΠΟΙΗΣΗ: Για να διασφαλίσετε την ασφάλεια και την αξιοπιστία, όλες οι επισκευές πρέπει να διεξάγονται από εξειδικευμένο τεχνικό του σέρβις.

⚠ ΠΡΟΕΙΔΟΠΟΙΗΣΗ: Αυτό το μηχανήμα μπορεί να χρησιμοποιηθεί από παιδιά ηλικίας άνω των 8 ετών και από άτομα με μειωμένες σωματικές, αισθητήριες ή νοητικές ικανότητες ή έλλειψη εμπειρίας και γνώσης του μηχανήματος, εφόσον επιβλέπονται ή έχουν λάβει οδηγίες σχετικά με τη χρήση του μηχανήματος με ασφαλή τρόπο και έχουν κατανοήσει τους εμπλεκόμενους κινδύνους. Τα παιδιά δεν πρέπει να παίζουν με τη συσκευή. Ο καθαρισμός και η συντήρηση που αφορούν τον χρήστη δεν πρέπει να γίνονται από παιδιά χωρίς επιτήρηση.

ΣΥΜΒΟΛΑ ΑΣΦΑΛΕΙΑΣ

Ο σκοπός των συμβόλων ασφαλείας είναι να σας τραβήξουν την προσοχή για ενδεχόμενους κινδύνους. Προσέξτε και κατανοήστε τα σύμβολα ασφαλείας και τις επεξηγήσεις που τα συνοδεύουν. Οι προειδοποιήσεις συμβόλων από μόνες τους δεν εξαλείφουν κανέναν κίνδυνο. Οι οδηγίες και οι προειδοποιήσεις που παρέχουν δεν υποκαθιστούν τα μέτρα σωστής πρόληψης ατυχημάτων.

⚠ ΠΡΟΕΙΔΟΠΟΙΗΣΗ: Βεβαιωθείτε ότι έχετε διαβάσει και κατανοήσει όλες τις οδηγίες ασφαλείας στο παρόν Εγχειρίδιο χειριστή, συμπεριλαμβανομένων όλων των συμβόλων ασφαλείας όπως «**ΚΙΝΔΥΝΟΣ**», «**ΠΡΟΕΙΔΟΠΟΙΗΣΗ**» και «**ΠΡΟΣΟΧΗ**», προτού χρησιμοποιήσετε αυτό το εργαλείο. Η μη τήρηση όλων των παρακάτω οδηγιών μπορεί να οδηγήσει σε ηλεκτροπληξία, πυρκαγιά ή/και σοβαρό ατομικό τραυματισμό.

ΟΔΗΓΙΕΣ ΑΣΦΑΛΕΙΑΣ

Αυτή η σελίδα απεικονίζει και περιγράφει τα σύμβολα ασφαλείας που υπάρχουν ενδεχομένως σε αυτό το προϊόν. Διαβάστε, κατανοείτε και ακολουθείτε όλες τις

οδηγίες στη μηχανή προτού προσπαθήσετε να διεξάγετε εργασίες συναρμολόγησης και λειτουργίας.

	Ειδοποίηση ασφαλείας	Προφυλάξτε που σχετίζονται με την ασφάλειά σας
	Διαβάστε το εγχειρίδιο χρήσης	Προκειμένου να μειωθεί ο κίνδυνος τραυματισμού, ο χρήστης πρέπει να διαβάσει το εγχειρίδιο χρήσης.
	Χρήση σε εσωτερικό χώρο	Χρησιμοποιείτε τη συσκευή μόνο σε εσωτερικούς χώρους
	Κατασκευή Κλάσης II	Διπλά μονωμένη κατασκευή
T6,3A 	Ασφαλειοσύνδεσμοι	Ασφαλειοσύνδεσμος μινιτούρα με χρονική καθυστέρηση
	CE	Αυτό το προϊόν συμφώνει με τις ισχύουσες οδηγίες της ΕΚ.
	UKCA	Αυτό το προϊόν συμμορφώνεται με την ισχύουσα νομοθεσία του ΗΒ.
	AHHE (WEEE)	Τα άχρηστα ηλεκτρικά προϊόντα δεν πρέπει να απορρίπτονται στα οικιακά απόβλητα. Παραδίδετέ τα σε μια εξουσιοδοτημένη εταιρεία ανακύκλωσης.
V	Volt	Τάση
A	Amperes	Ρεύμα
Hz	Hertz	Συχνότητα (κύκλοι ανά δευτερόλεπτο)
W	Watt	Ισχύς
min	Λεπτά	Χρόνος
	Εναλλασσόμενο ρεύμα	Τύπος ρεύματος
	Συνεχές ρεύμα	Τύπος ή χαρακτηριστικό του ρεύματος

⚠ ΠΡΟΕΙΔΟΠΟΙΗΣΗ: Διαβάστε και κατανοήστε όλες τις οδηγίες. Η μη τήρηση όλων των παρακάτω οδηγιών μπορεί να οδηγήσει σε ηλεκτροπληξία, πυρκαγιά ή/και σοβαρό ατομικό τραυματισμό.

ΑΣΦΑΛΕΙΑ ΣΤΟΝ ΧΩΡΟ ΕΡΓΑΣΙΑΣ

- Διατηρείτε τον χώρο εργασίας καθαρό και καλά φωτισμένο. Οι ακατάστατοι χώροι ή οι χώροι με κακό φωτισμό ενισχύουν την πιθανότητα πρόκλησης ατυχημάτων.

GR

- **Μη χρησιμοποιείτε το φορτιστή EGO σε περιβάλλον με εύφλεκτη ατμόσφαιρα, όπου υπάρχουν εύφλεκτα υγρά, αέρια ή σκόνη.** Ένας φορτιστής μπορεί να δημιουργήσει σπινθήρα που μπορεί να αναφλέξει τη σκόνη ή τις αναθυμιάσεις.

ΗΛΕΚΤΡΙΚΗ ΑΣΦΑΛΕΙΑ

- **Μην εκθέτετε το φορτιστή σε βροχή ή συνθήκες υγρασίας.** Αν εισχωρήσει νερό στο φορτιστή, θα αυξηθεί ο κίνδυνος ηλεκτροπληξίας.
- **Μην κακομεταχειρίζεστε το καλώδιο.** Μη χρησιμοποιείτε ποτέ το καλώδιο για να μεταφέρετε, τραβήξετε ή απομακρύνετε από την πρίζα το φορτιστή. Διατηρείτε το καλώδιο μακριά από θερμότητα, λάδια, αιχμηρές γωνίες ή κινούμενα εξαρτήματα. Τα κατεστραμμένα ή μπερδεμένα καλώδια αυξάνουν τον κίνδυνο ηλεκτροπληξίας.
- Ο φορτιστής EGO μπορεί να φορτίσει τις συστοιχίες μπαταριών λιθίου - ιόντων EGO που παρατίθενται παρακάτω:

ΦΟΡΤΙΣΤΗΣ	ΣΥΣΤΟΙΧΙΕΣ ΜΠΑΤΑΡΙΩΝ
CHX5500E	BAX1500

ΣΕΡΒΙΣ

- **Το σέρβις του φορτιστή σας πρέπει να γίνεται από εξειδικευμένο τεχνικό, χρησιμοποιώντας μόνο ίδια ανταλλακτικά.** Έτσι θα εξασφαλίσει η διατήρηση της ασφάλειας του φορτιστή.
- **Όταν κάνετε συντήρηση ενός φορτιστή, χρησιμοποιείτε μόνο ίδια ανταλλακτικά.** Τηρείτε τις οδηγίες στο απόσπασμα Συντήρηση του παρόντος εγχειριδίου. Η χρήση μη εξουσιοδοτημένων εξαρτημάτων ή η μη τήρηση των οδηγιών συντήρησης μπορεί να προκαλέσει κίνδυνο ηλεκτροπληξίας ή τραυματισμό.

GR

ΚΑΝΟΝΕΣ ΑΣΦΑΛΕΙΑΣ ΓΙΑ ΤΟ ΦΟΡΤΙΣΤΗ

- ▲ **ΠΡΟΣΟΧΗ:** Η συσκευή αυτή δεν προορίζεται για χρήση από άτομα (μεταξύ των οποίων και παιδιά) με μειωμένες φυσικές, αισθητηριακές ή διανοητικές ικανότητες, ή έλλειψη εμπειρίας και γνώσης, εκτός εάν υπάρχει επίβλεψη ή τους έχουν δοθεί οδηγίες αναφορικά με τη χρήση της συσκευής από άτομα τα οποία είναι υπεύθυνα για την ασφάλεια τους.
- **Προτού χρησιμοποιήσετε το φορτιστή μπαταρίας,** διαβάστε όλες τις οδηγίες και τις σημάνσεις προφύλαξης στο παρόν εγχειρίδιο και στο φορτιστή μπαταρίας, στη μπαταρία και στο προϊόν, ώστε να εμποδίσετε εσφαλμένη χρήση των προϊόντων και πιθανό τραυματισμό ή ζημιά.

- **Μη μεταχειρίζεστε το φορτιστή, συμπεριλαμβανομένου του βύσματος φορτιστή και τους ακροδέκτες φορτιστή με βρεγμένα χέρια.**
- **Εξασφαλίστε ότι το καλώδιο βρίσκεται σε τέτοιο σημείο ώστε δεν θα μπορεί να πατήσει, να σκοντάψει εκεί κάποιος, να έρθει κάποιος σε επαφή με αιχμηρές ακμές ή κινούμενα τμήματα ή να υποβληθεί σε ζημιές ή καταπόνηση.** Έτσι θα μειωθεί ο κίνδυνος τυχαίων πτώσεων με συνέπεια τραυματισμό και ζημιά στο καλώδιο που θα μπορούσε να επιφέρει ηλεκτροπληξία.
- **Διατηρείτε το καλώδιο και το φορτιστή μακριά από θερμότητα ώστε να εμποδίσετε ζημιά στο περιβλήμα ή σε εσωτερικά τμήματα.**
- **Μην επιτρέπετε να έρχεται βενζίνη, λάδια, προϊόντα με βάση τη βενζίνη κ.λπ. να έρχονται σε επαφή με πλαστικά τμήματα.** Αυτά τα υλικά περιέχουν χημικές ουσίες που μπορεί να προκαλέσουν ζημιά, να αποδυναμώσουν ή να καταστρέψουν το πλαστικό.
- **Μη χρησιμοποιείτε το φορτιστή με φαρμένο καλώδιο ή βύσμα, τα οποία θα μπορούσαν να βραχυκυκλωθούν και να προκαλέσουν ηλεκτροπληξία.** Εάν υπάρχουν ζημιές ο φορτιστής πρέπει να επισκευαστεί ή αντικατασταθεί από έναν εξουσιοδοτημένο τεχνικό του σέρβις σε ένα κέντρο σέρβις της EGO.
- **Μην αποσυναρμολογείτε το φορτιστή.** Πηγαίνετε το φορτιστή σε έναν εξουσιοδοτημένο τεχνικό του σέρβις εφόσον απαιτηθεί συντήρηση ή επισκευή. Η εσφαλμένη επανασυναρμολόγηση μπορεί να δημιουργήσει κίνδυνο ηλεκτροπληξίας ή πυρκαγιάς.
- **Αποσυνδέστε το φορτιστή από την πρίζα ηλεκτρικού προτού προσπαθήσετε να διεξάγετε εργασίες συντήρησης ή καθαρισμού ώστε να μειώσετε κίνδυνο ηλεκτροπληξίας.**
- **Αποσυνδέστε το φορτιστή από την παροχή ρεύματος όταν δεν τον χρησιμοποιείτε.** Έτσι θα μειωθεί ο κίνδυνος ηλεκτροπληξίας ή ζημιάς στο φορτιστή εάν μεταλλικά είδη πέσουν μέσα στο άνοιγμα. Επίσης θα εμποδιστεί ζημιά στο φορτιστή κατά τη διάρκεια υπερτάσεων ισχύος.
- **Κίνδυνος ηλεκτροπληξίας.** Μην αγγίζετε το μη μονωμένο τμήμα του συνδέσμου εξόδου ή το μη μονωμένο θερματικό μπαταρίας.
- **Φυλάξτε αυτές τις οδηγίες.** Ανατρέχετε σε αυτές συχνά και χρησιμοποιείτε τις για να εκπαιδεύετε άλλους που μπορεί να χρησιμοποιήσουν το εργαλείο. Εάν δανείσετε αυτό το εργαλείο σε κάποιον άλλο, δανείστε και αυτές τις οδηγίες, ώστε να εμποδίσετε εσφαλμένη χρήση του προϊόντος και πιθανό τραυματισμό.

ΣΗΜΑΝΤΙΚΕΣ ΟΔΗΓΙΕΣ ΑΣΦΑΛΕΙΑΣ

- Φυλάξτε αυτές τις οδηγίες. Το παρόν εγχειρίδιο περιέχει σημαντικές οδηγίες ασφάλειας και λειτουργίας για τον ταχυφορτιστή 56V CHX5500E.
- Πρωτού χρησιμοποιήσετε το φορτιστή μπαταρίας διαβάστε όλες τις οδηγίες και τις σημάνσεις πρόληψης στο φορτιστή μπαταρίας, στη μπαταρία και στο προϊόν που χρησιμοποιεί μπαταρία.

ΠΡΟΔΙΑΓΡΑΦΕΣ

Είσοδος φορτιστή	220-240 V~50 Hz 550 W
Έξοδος φορτιστή	4/8 A 56 V
Χρόνος φόρτισης	Φόρτιση BAX1500 (1568 Wh) : 3,5 ώρες (γρήγορη φόρτιση) 7 ώρες (κανονική φόρτιση)
Βέλτιστη θερμοκρασία φόρτισης	5°C-40°C
Βάρος φορτιστή	1,6 κιλά

ΠΕΡΙΓΡΑΦΗ

ΓΝΩΡΙΣΤΕ ΤΟ ΦΟΡΤΙΣΤΗ ΣΑΣ (Εικ. Α)

1. Καλώδιο ισχύος
2. Διεπαφή εξόδου
3. Κουμπί
4. 1# LED (πράσινη)
5. 2# LED (πράσινη)
6. 3# LED (κόκκινη)
7. Διεπαφή εισόδου
8. Οπή επίτοιχης εγκατάστασης
9. Θύρα αέρα ψύξης

ΛΕΙΤΟΥΡΓΙΑ

ΤΡΟΠΟΣ ΦΟΡΤΙΣΗΣ ΤΗΣ ΣΥΣΤΟΙΧΙΑΣ ΜΠΑΤΑΡΙΩΝ

⚠ ΠΡΟΕΙΔΟΠΟΙΗΣΗ: Μη χρησιμοποιείτε το φορτιστή σε εξωτερικό χώρο ή μην τον εκθέτετε σε υγρές ή νωπές συνθήκες. Αν εισχωρήσει νερό στο φορτιστή, θα αυξηθεί ο κίνδυνος ηλεκτροπληξίας.

ΣΗΜΕΙΩΣΗ: Οι συστοιχίες μπαταριών ιόντων - λιθίου αποστέλλονται μερικώς φορτισμένες. Πριν την πρώτη χρήση, φορτίστε τη συστοιχία μπαταριών πλήρως.

1. Εισαγάγετε το ξεχωριστό καλώδιο ισχύος μέσα στη διεπαφή εισόδου (Εικ. Β).
2. Συνδέστε το φορτιστή στην τροφοδοσία ισχύος (220-240V/50Hz).
3. Εισαγάγετε το βύσμα μπαταρίας μέσα στο φορτιστή όπως φαίνεται στην Εικ. C & D.
4. Ο φορτιστής θα επικοινωνήσει με τη συστοιχία μπαταριών για να αξιολογήσει την κατάστασή της.
5. Όταν η συστοιχία μπαταριών φορτίζει κανονικά, η πράσινη LED 2# στο φορτιστή θα αναβοσβήσει. Εάν κρατήσετε πατημένο το πράσινο κουμπί τουλάχιστον για 1 δευτερόλεπτο, η φυσιολογική φόρτιση θα μετατραπεί σε ταχεία φόρτιση, η πράσινη LED 2# θα σβήσει και η πράσινη LED 1# θα αναβοσβήνει. Ο ανεμιστήρας στο φορτιστή λειτουργεί συνεχώς για την ψύξη της συστοιχίας μπαταριών.
6. Όταν η συστοιχία μπαταριών φορτιστεί πλήρως, οι LED ένδειξης φόρτισης σταματάνε να αναβοσβήνουν και ανάβουν πράσινες συνεχώς. Περιμένετε έως ότου ο ανεμιστήρας ψύξης σταματήσει, απομακρύνετε τη συστοιχία μπαταριών από το φορτιστή και αποσυνδέστε το φορτιστή από την τροφοδοσία ισχύος.
7. Η συστοιχία μπαταριών θα φορτιστεί πλήρως εάν αφεθεί στο φορτιστή, αλλά δεν θα υπερφορτιστεί.

ΣΗΜΕΙΩΣΗ:

- Ενώ ο φορτιστής συνδέεται στην τροφοδοσία ισχύος στο βήμα 1, εάν οι 3 LED συνεχίσουν να παραμένουν σβηστές, ανατρέξτε στο απόσπασμα «ΕΛΑΤΤΩΜΑΤΙΚΗ ΣΥΣΤΟΙΧΙΑ ΜΠΑΤΑΡΙΩΝ Ή ΦΟΡΤΙΣΤΗΣ».
- Ένας σημαντικά μειωμένος χρόνος λειτουργίας μετά από πλήρη φόρτιση της συστοιχίας μπαταριών υποδηλώνει ότι οι μπαταρίες βρίσκονται κοντά στο τέλος της διάρκειας ζωής τους και πρέπει να γίνει αντικατάστασή τους.
- Ο φορτιστής μπορεί να ζεσταθεί κατά τη διάρκεια της φόρτισης. Πρόκειται για φυσιολογική λειτουργία του φορτιστή. Να διεξάγετε φόρτιση σε καλά αεριζόμενο χώρο.

GR

ΛΕΙΤΟΥΡΓΙΕΣ LED ΤΟΥ ΦΟΡΤΙΣΤΗ

ΕΝΔΕΙΞΗ LED	ΜΠΑΤΑΡΙΑ ΓΙΑ ΣΑΚΙΔΙΟ		LED ΣΤΟΝ ΦΟΡΤΙΣΤΗ			ΕΝΕΡΓΕΙΑ
			1# LED (ΠΡΑΣΙΝΗ)	2# LED (ΠΡΑΣΙΝΗ)	3# LED (ΚΟΚΚΙΝΗ)	
	Ελαττωματική		○	●		Η συστοιχία μπαταριών ή ο φορτιστής είναι ελαττωματικά
	Υπερβολική θερμοκρασία	Κανονική φόρτιση	○		●	Η φόρτιση θα ξεκινήσει όταν η συστοιχία μπαταριών επιστρέψει στη φυσιολογική θερμοκρασία
		Ταχεία φόρτιση		○	●	Η φόρτιση θα ξεκινήσει όταν η συστοιχία μπαταριών επιστρέψει στη φυσιολογική θερμοκρασία
	Κανονική φόρτιση		○		○	Φόρτιση 4A
	Ταχεία φόρτιση			○	○	Φόρτιση 8A
	Πλήρως φορτισμένη	Κανονική φόρτιση	○	●	○	Ο φόρτιση ολοκληρώθηκε
		Ταχεία φόρτιση	●	○	○	Ο φόρτιση ολοκληρώθηκε
—	Επιτυχής αυτόματος έλεγχος		●	●	●	Ο φορτιστής μπορεί να χρησιμοποιήθηκε για τη φόρτιση της μπαταρίας

●: On ○: Off : Αναβοσβήνει

ΦΟΡΤΙΣΗ ΜΙΑΣ ΖΕΣΤΗΣ Ή ΚΡΥΑΣ ΣΥΣΤΟΙΧΙΑΣ ΜΠΑΤΑΡΙΩΝ
GR

Εάν η συστοιχία μπαταριών βρίσκεται εκτός του φυσιολογικού εύρους θερμοκρασίας, η LED 3# θα ανάβει κόκκινη. Όταν η συστοιχία μπαταριών κρυώσει περίπου στους 57°C ή ζεσταθεί και υπερβεί τους 3°C, ο φορτιστής θα αρχίσει αυτόματα τη φόρτιση.

ΕΛΑΤΤΩΜΑΤΙΚΗ ΣΥΣΤΟΙΧΙΑ ΜΠΑΤΑΡΙΩΝ Ή ΦΟΡΤΙΣΤΗΣ

Μόλις ο φορτιστής συνδεθεί στην τροφοδοσία ισχύος, θα ξεκινήσει αμέσως τον αυτόματο έλεγχο.

- Εάν ο αυτόματος έλεγχος δείξει βλάβη, όλες οι LED δεν θα αναβοσβήνουν ή ανάβουν.

Ειδοποίηση: Προσπαθήστε να επανεισαγάγετε το καλώδιο ρεύματος στο φορτιστή και στην τροφοδοσία ισχύος διαδοχικά. Εάν οι LED δείξουν «βλάβη» δεύτερη φορά, επικοινωνήστε με το κέντρο της EGO για να επισκευάσετε το φορτιστή σας.

- Εάν ο φορτιστής περάσει με επιτυχία τον έλεγχο, οι 3 LED θα ανάβουν ταυτόχρονα για 1 δευ., που σημαίνει ότι ο φορτιστής μπορεί να χρησιμοποιηθεί για τη φόρτιση της συστοιχίας μπαταριών. Κατά τη φόρτιση εάν ο φορτιστής διαπιστώσει πρόβλημα, η LED 3# θα αρχίσει να αναβοσβήνει κόκκινη ή όλες οι LED θα σβήσουν.
 - Εάν η ένδειξη δείχνει ελάττωμα, απομακρύνετε και επανεισαγάγετε το βύσμα της συστοιχίας μπαταριών μέσα στο φορτιστή. Εάν τα LED συνεχίζουν να έχουν την ένδειξη «ελάττωμα» για δεύτερη φορά, δοκιμάστε να φορτίσετε μια διαφορετική συστοιχία μπαταριών.

- Εάν μια δεύτερη συστοιχία μπαταριών φορτίζει κανονικά, απορρίψτε την ελαττωματική συστοιχία μπαταριών (ανατρέξτε στις οδηγίες στο εγχειρίδιο συστοιχίας μπαταριών).
- Εάν μια διαφορετική συστοιχία μπαταριών επίσης υποδηλώνει «ελάττωμα», επανασυνδέστε το φορτιστή στην τροφοδοσία ισχύος μέχρι η LED 3# να σβήσει. Εάν και οι 3 LED συνεχίζουν να είναι σβηστές ή η LED 3# αναβοσβήνει κόκκινη, ο φορτιστής μπορεί να είναι ελαττωματικός.

⚠️ ΠΡΟΕΙΔΟΠΟΙΗΣΗ: Δεν συστήνεται να κάνετε απόπειρα φόρτισης ενώ ο φορτιστής έχει αποδειχτεί ότι είναι ελαττωματικός, μπορεί να προκληθεί ηλεκτροπληξία ή ακόμα και σοβαρός τραυματισμός.

ΟΠΕΣ ΕΠΙΤΟΙΧΗΣ ΕΓΚΑΤΑΣΤΑΣΗΣ

Ο φορτιστής διαθέτει οπές ανάρτησης για μια βολική αποθήκευση. Τοποθετήστε τις βίδες στον τοίχο με απόσταση 76 χιλ.

ΣΥΝΤΗΡΗΣΗ

⚠️ ΠΡΟΕΙΔΟΠΟΙΗΣΗ: Για την αποφυγή σοβαρού ατομικού τραυματισμού, αποσυνδέστε πάντοτε τη συστοιχία μπαταριών από το φορτιστή πριν από τον καθαρισμό του ή πριν από οποιαδήποτε συντήρηση.

⚠️ ΠΡΟΕΙΔΟΠΟΙΗΣΗ: Όταν κάνετε συντήρηση του εργαλείου, χρησιμοποιείτε μόνο ίδια ανταλλακτικά της EGO. Η χρήση οποιωνδήποτε άλλων εξαρτημάτων μπορεί να προκαλέσει κίνδυνο ή υλικές ζημιές.

⚠️ ΠΡΟΕΙΔΟΠΟΙΗΣΗ: Δεν συστήνεται να χρησιμοποιείτε πεπιεσμένο στεγνό αέρα ως μέθοδο καθαρισμού του φορτιστή. Εάν ο καθαρισμός με πεπιεσμένο αέρα είναι η μόνη μέθοδος, φοράτε πάντα γυαλιά προστασίας ή γυαλιά με πλευρική προστασία κατά τον καθαρισμό του φορτιστή. Κατά τη χρήση υπό συνθήκες σκόνης, φοράτε μάσκα.

⚠️ ΠΡΟΕΙΔΟΠΟΙΗΣΗ: Εάν το καλώδιο ισχύος έχει ζημιές, χρησιμοποιείτε μόνο ένα πανομοιότυπο καλώδιο. Η χρήση μη εξουσιοδοτημένου καλωδίου ισχύος μπορεί να προκαλέσει κίνδυνο ηλεκτροπληξίας ή τραυματισμό.

ΓΕΝΙΚΗ ΣΥΝΤΗΡΗΣΗ

Αποφύγετε τη χρήση διαλυτών κατά τον καθαρισμό των πλαστικών εξαρτημάτων. Τα περισσότερα πλαστικά είναι ευπαθή στη χρήση διαφόρων τύπων διαλυτών του εμπορίου και καταστρέφονται από τη χρήση τους. Χρησιμοποιείτε καθαρά πανιά για την απομάκρυνση βρωμιάς, σκόνης, λαδιού, γράσου κλπ.

⚠️ ΠΡΟΕΙΔΟΠΟΙΗΣΗ: Μην αφήσετε σε καμιά στιγμή να έρθουν σε επαφή τα πλαστικά εξαρτήματα με υγρά φρένων, βενζίνη, πετρελαϊκά προϊόντα, δεισδυτικά λάδια κλπ. Τα χημικά μπορούν να φθείρουν, να λεπτύνουν ή να καταστρέψουν τα πλαστικά εξαρτήματα με κίνδυνο σοβαρού τραυματισμού.

⚠️ ΠΡΟΕΙΔΟΠΟΙΗΣΗ: Όταν κάνετε συντήρηση του εργαλείου, χρησιμοποιείτε μόνο ίδια ανταλλακτικά της EGO. Η χρήση οποιωνδήποτε άλλων εξαρτημάτων μπορεί να προκαλέσει κίνδυνο ή υλικές ζημιές. Για να διασφαλιστεί η ασφάλεια και την αξιοπιστία, όλες οι επισκευές πρέπει να διεξάγονται από εξειδικευμένο τεχνικό του σέρβις σε κέντρο σέρβις της EGO.

Προστασία του περιβάλλοντος



Μην απορρίπτετε τους ηλεκτρικούς εξοπλισμούς, το φορτιστή μπαταρίας και τις μπαταρίες/επαναφορτιζόμενες μπαταρίες στα οικιακά απορρίμματα!

Σύμφωνα με τον Ευρωπαϊκό νόμο 2012/19/ΕΕ, οι ηλεκτρικοί και οι ηλεκτρονικοί εξοπλισμοί που δεν χρησιμοποιούνται πλέον και σύμφωνα με τον Ευρωπαϊκό νόμο 2006/66/ΕΚ, οι ελαττωματικές ή χρησιμοποιημένες συστοιχίες μπαταριών/μπαταρίες πρέπει να συλλέγονται ξεχωριστά.

Εάν οι ηλεκτρικές συσκευές απορριφθούν στην ύπαιθρο ή σε χωματερές, τότε είναι πιθανό να διαρρεύσουν επικίνδυνες ουσίες στα υπόγεια ύδατα, με αποτέλεσμα να περάσουν στην τροφική αλυσίδα, προκαλώντας ζημιές στην υγεία και την φυσική σας κατάσταση.



ΑΝΤΙΜΕΤΩΠΙΣΗ ΠΡΟΒΛΗΜΑΤΩΝ

ΠΡΟΒΛΗΜΑ	ΑΙΤΙΑ	ΕΠΙΛΥΣΗ
Ο φορτιστής δεν λειτουργεί. Η LED 3# αναβοσβήνει κόκκινη ή όλες οι LED σβήνουν	Η συστοιχία μπαταριών ή ο φορτιστής είναι ελαττωματικά ή υπάρχει κακή σύνδεση μεταξύ της συστοιχίας μπαταριών και του φορτιστή.	<ul style="list-style-type: none">■ Προσπαθήστε να απομακρύνετε και επανεισαγάγετε τη συστοιχία μπαταριών στο φορτιστή.■ Δοκιμάστε να φορτίσετε μια διαφορετική συστοιχία μπαταριών.■ Αποσυνδέστε το φορτιστή και περιμένετε έως ότου η κόκκινη LED σβήσει, κατόπιν επανασυνδέστε το βύσμα στην τροφοδοσία ισχύος.
	Ο φορτιστής αλλάζει πολύ συχνά	<ul style="list-style-type: none">■ Συνδέστε το φορτιστή με την τροφοδοσία ισχύος μετά από 30 δευτ. διότι όλες οι LED σβήνουν.
Ο φορτιστής δεν λειτουργεί και η LED 3# ανάβει κόκκινη.	Η συστοιχία μπαταριών είναι πολύ καυτή ή πολύ κρύα.	<ul style="list-style-type: none">■ Αφήστε τη συστοιχία μπαταριών να φτάσει στη φυσιολογική θερμοκρασία. Η φόρτιση θα ξεκινήσει όταν η συστοιχία μπαταριών επιστρέψει στη φυσιολογική θερμοκρασία.

ΕΓΓΥΗΣΗ

ΠΟΛΙΤΙΚΗ ΕΓΓΥΗΣΗΣ EGO

Επισκεφθείτε την ιστοσελίδα egopowerplus.com για όλους τους όρους και τις προϋποθέσεις της πολιτικής εγγύησης EGO.

GR

TÜM TALİMATLARI OKUYUN!



KULLANIM KILAVUZUNU OKUYUN

Uyarı: Bu talimatlara alternatif bir formatta da - örn. web sitesi üzerinden - ulaşılabilir.

⚠ Artık risk! Kalp pili gibi elektronik cihaz kullanan kişiler bu ürünü kullanmadan önce hekimlerine danışmalıdır. Elektrikli cihazların, kalp pili yakınında çalıştırılması kalp piliinde parazite veya arızaya neden olabilir.

⚠ UYARI: Emniyet ve güvenilirliği sağlamak için tüm tamir işleri uzman bir servis teknisyeni tarafından yapılmalıdır.

⚠ UYARI: Bu cihaz, ancak gözetim altında oldukları veya güvenliklerinden sorumlu bir kişi tarafından cihazın kullanımı ile ilgili talimat aldıkları müddetçe fiziksel duyu kaybı veya zihinsel yetenekleri zayıf veya tecrübe ve bilgi yetersizliği olan kişiler tarafından ve 8 yaş ve üzeri çocuklar tarafından kullanılabilir. Çocuklar cihazla oynamamalıdır. Temizlik ve kullanıcı bakımı gözetimsiz olarak çocuklar tarafından yapılmamalıdır.

GÜVENLİK SEMBOLLERİ

Güvenlik sembollerinin amacı olası tehlikelere dikkatinizi çekmektir. Güvenlik sembolleri ve yanlarındaki açıklamalar özel dikkat ve anlayış göstermenizi gerektirir. Uyarı sembolleri kendi başlarına herhangi bir tehlikeyi gidermez. Sundukları talimat ve uyarılar uygun kaza önleme önlemlerinin yerine geçmez.

⚠ UYARI: Bu aleti kullanmadan önce, "TEHLİKE", "UYARI" ve "DİKKAT" gibi tüm güvenlik uyarı ve sembollerini içeren bu Kullanım Kılavuzu içerisindeki tüm güvenlik talimatlarını okuyup anladığınızdan emin olun. Aşağıdaki talimatların tamamına uyulmaması elektrik çarpması, yangın ve/veya ciddi kişisel yaralanma ile sonuçlanabilir.

GÜVENLİK TALİMATLARI

Bu sayfada, bu ürün üzerinde görülebilecek güvenlik sembolleri gösterilmekte ve açıklanmaktadır. Makineyi monte etmeye ve kullanmaya başlamadan önce, makineye ilişkin tüm talimatları okuyup anlayın ve bu talimatlara uyun.

	Güvenlik Uyarısı	Güvenliğinizle ilgili önlemler
	Kullanma Kılavuzunu Okuyun	Yaralanma riskini azaltmak için, kullanma kılavuzu mutlaka okunmalıdır.
	Kapalı mekanda kullanım	Bu cihazı sadece kapalı mekanda kullanın
	Sınıf II Yapı	Çift yalıtımlı yapı
T6,3A 	Sigorta bağlantıları	Süre gecikmeli minyatür sigorta bağlantıları
	CE	Bu ürün geçerli AB direktiflerine uygundur.
	UKCA	Bu ürün, yürürlükteki Birleşik Krallık yasalarına uygundur.
	WEEE	Atık elektrikli ürünler, evsel atıklar ile birlikte imha edilmemelidir. Yetkili bir geri dönüşüm merkezine götürün.
V	Volt	Voltaj
A	Amper	Akım
Hz	Hertz	Frekans (saniyedeki dönüş sayısı)
W	Watt	Güç
min	Dakika	Zaman
	Alternatif Akım	Akım türü
	Doğru Akım	Akım türü ve özelliği

⚠ UYARI: Tüm talimatları anlayarak okuyun. Aşağıdaki talimatların tamamına uyulmaması elektrik çarpması, yangın ve/veya ciddi kişisel yaralanma ile sonuçlanabilir.

ÇALIŞMA ALANI GÜVENLİĞİ

- Çalışma alanını temiz tutun ve yeterli aydınlatma sağlayın. Karışık veya karanlık alanlar kazalara yol açar.
- EGO şarj cihazı yanıcı sıvı, gaz veya toz vb. içeren patlayıcı ortamlarda çalıştırmayın. Şarj cihazından çıkan kıvılcıklar toz veya gazları tutuşturabilir.

ELEKTRİK GÜVENLİĞİ

- Şarj cihazını yağmur veya ıslak ortamlara maruz bırakmayın. Şarj cihazının içine giren su, elektrik çarpması riskini artırır.

TR

- **Kabloyu yanlış kullanmayın.** Şarj cihazını asla kablосundan tutarak taşımayın, kablосundan çekmeyin veya kablосundan tutarak prizden çıkarmayın. Kabloyu ısı, yağ, keskin kenarlı veya hareketli parçalardan uzak tutun. Hasarlı veya birbirine dolanmış kablolar elektrik çarpması riskini artırır.
- EGO şarj cihazı ile aşağıda listelenen EGO lityum-iyon pil paketleri şarj edilebilir:

ŞARJ CİHAZI	PİL PAKETLERİ
CHX5500E	BAX1500

SERVİS

- **Şarj cihazınızın sadece orijinal yedek parça kullanan yetkili bir servis elemanı tarafından onarılmasını sağlayın.** Böylece şarj cihazının güvenliği korunmuş olacaktır.
- **Şarj cihazının servisi sırasında sadece birebir aynı yedek parçaları kullanın. Bu kılavuzun Bakım bölümündeki talimatları izleyin.** Orijinal olmayan parça kullanımı veya Bakım talimatlarına uyulmaması elektrik çarpması veya yaralanma riski oluşturabilir.

ŞARJ CİHAZI İÇİN GÜVENLİK KURALLARI

⚠ DİKKAT: Bu cihaz, gözetim altında olmadıkları veya güvenliklerinden sorumlu bir kişi tarafından cihazın kullanımı ile ilgili talimat almadıkları sürece zihinsel yetenekleri zayıf, fiziksel duyu kaybı veya tecrübe ve bilgi yetersizliği olan kişiler tarafından (çocuklar dahil) kullanılmak üzere tasarlanmamıştır.

- **Şarj cihazını kullanmadan önce,** ürünlerin hatalı kullanılmasını, olası yaralanma ve hasarları önlemek için, bu kılavuzdaki ve şarj cihazı, pil ve ürünün üzerindeki tüm talimatları ve uyarıcı işaretleri okuyun.
- **Şarj cihazını, fişini ve şarj cihazı terminallerini ıslak elle tutmayın.**
- **Kablونun üzerine basılmayacak, takılıp düşülmeyecek, keskin kenarlar veya hareketli parçalara temas etmeyecek, herhangi bir hasara veya gerilime maruz kalmayacak şekilde konumlandırıldığından emin olun.** Bu kurala uyulması, yaralanmaya ve kabloda hasara yol açarak elektrik çarpmasına neden olabilecek kazara düşme riskini azaltır.
- **Gövde veya dahili parçaların zarar görmesini önlemek için şarj cihazını ve kabloyu ısı kaynaklarından uzak tutun.**

- **Benzin, yağ, petrol bazlı ürünler, vb. maddelerin plastik parçalara temas etmesine izin vermeyin.** Bu maddeler, plastiğe zarar verebilen, plastiği zayıflatabilen veya parçalayabilen kimyasal maddeler içerir.
- **Kısa devreye ve elektrik çarpmasına neden olabileceğinden, kablосu veya fişi zarar görmüş bir cihazı çalıştırmayın.** Arızalı olması durumunda, şarj cihazının bir EGO Servis Merkezindeki yetkili servis teknisyenleri tarafından onarılmasını veya değiştirilmesini sağlayın.
- **Şarj cihazını parçalara ayırmayın.** Servis veya onarım gerekiyorsa, ürünü yetkili bir servis teknisyenine götürün. Hatalı montaj yangın riskine, elektrik çarpması veya ölüme yol açabilir.
- **Elektrik çarpması riskini azaltmak için, şarj cihazına herhangi bir bakım veya temizlik işlemi yapmadan önce fişini prizden çekin.**
- **Kullanmadığınız zaman daima cihazın fişini prizden çekin.** Bu sayede cihazın havalandırma deliklerine metal parçaların düşmesi halinde elektrik çarpması veya cihaz hasarı riski azaltılmış olur. Ayrıca bir güç dalgalanması sırasında şarj cihazının zarar görmesi de önlenmiş olur.
- **Elektrik çarpması tehlikesi.** Çıkış konnektörünün yalıtımsız kısmına veya yalıtımsız pil terminaline dokunmayın.
- **Bu talimatları saklayın.** Talimatlara sık sık müracaat edin ve bu aleti kullanacak diğer kişileri bilgilendirmek için kullanın. Bu aleti başka birine ödünç vererseniz, ürünün hatalı kullanılmasını ve olası yaralanmaları önlemek için bu talimatları da ürünle birlikte verin.

ÖNEMLİ GÜVENLİK TALİMATLARI

- **Bu talimatları saklayın.** Bu kılavuz 56V Hızlı Şarj Cihazı CHX5500E için önemli güvenlik ve çalışma talimatlarını içermektedir.
- **Pil şarj cihazını kullanmadan önce, şarj cihazı, pil ve pilin kullanıldığı ürün üzerindeki tüm talimatları ve uyarıcı işaretleri okuyun.**

TEKNİK ÖZELLİKLER

Şarj Cihazı Girişi	220-240 V~50 Hz 550 W
Şarj Cihazı Çıkışı	4/8 A 56 V
Şarj Süresi	BAX1500 (1568 Wh) Şarj Süresi: 3,5 sa (Hızlı şarj) 7 sa (Normal şarj)
Optimum Şarj Sıcaklığı	5°C-40°C
Şarj Cihazının Ağırlığı	1,6 kg

AÇIKLAMA

ŞARJ CİHAZINIZI TANIYIN (Şek. A)

1. Güç kablosu
2. Çıkış ara yüzü
3. Pulse düğmesi
4. 1# LED (Yeşil)
5. 2# LED (Yeşil)
6. 3# LED (Kırmızı)
7. Giriş ara yüzü
8. Duvar montaj deliği
9. Soğutma hava girişi

ÇALIŞTIRMA

PİL PAKETİ NASIL ŞARJ EDİLİR

⚠ UYARI: Şarj cihazını açık havada kullanmayın, yağmur veya ıslak ortamlara maruz bırakmayın. Şarj cihazının içine giren su, elektrik çarpma riskini artırır.

UYARI: Lityum iyon pil paketleri kısmen şarj edilmiş olarak gönderilir. İlk olarak kullanmadan önce pil paketini tamamen şarj edin.

1. Aynı güç kablosunu giriş ara yüzüne (Şek. B) takın.
2. Şarj cihazını güç kaynağına takın (220-240V/50Hz).
3. Pil fişini şarj cihazında Şek. C & D'de gösterildiği gibi takın.

4. Şarj cihazı pil paketi ile iletişim kurarak pil paketinin durumunu değerlendirir.
5. Pil paketi normal şarj edilirken, şarj cihazı üzerindeki yeşil 2# LED yanıp söner. Eğer en az 1 saniye kadar yeşil düğmeye basılırsa, normal şarj hızlı şarja dönüşür ve yeşil 2# LED sönerken yeşil 1# LED yanıp söner. Şarj cihazındaki fan, pil paketini soğutmak için sürekli olarak çalışır.
6. Pil paketi tamamen şarj edildiğinde, şarj göstergesi LED'lerin yanıp sönmeye durur ve sürekli olarak yeşil renkte yanarlar. Soğutma fanı duruncaya kadar bekleyin, pil paketini şarj cihazından çıkarın ve şarj cihazının fişini çekin.
7. Pil paketi şarj cihazında bırakılırsa tamamen dolar, ancak aşırı şarj edilmez.

UYARI:

- Şarj cihazı adım 1'de güç kaynağına bağlıyken, eğer 3 LED halen yanmamış halde kalırsa "ARIZALI PİL PAKETİ VEYA ŞARJ CİHAZI" bölümüne başvurun.
- Pil paketi tamamen şarj edildikten sonra çalışma süresi önemli ölçüde azalmışsa bu, pillerin kullanım ömürlerinin dolmak üzere olduğunu ve değiştirilmeleri gerektiğini gösterir.
- Şarj cihazı şarj işlemi sırasında ısınabilir. Bu durum şarj cihazının normal çalışmasının bir parçasıdır. İyi havalandırılmış bir alanda şarj edin.

ŞARJ CİHAZININ LED İŞLEVLERİ

LED GÖSTERGE	SIRT ÇANTASI PİL		ŞARJ CİHAZI ÜZERİNDEKİ LED			EYLEM
			1# LED (YEŞİL)	2# LED (YEŞİL)	3# LED (KIRMIZI)	
	Arızalı		○	●	☀	Pil paketi veya şarj cihazı arızalı
	Fazla ısınmış	Normal şarj	○	☀	●	Pil paketi normal sıcaklığa döndüğünde şarj işlemi başlar
		Hızlı şarj	☀	○	●	Pil paketi normal sıcaklığa döndüğünde şarj işlemi başlar
	Normal şarj		○	☀	○	4A Şarj
	Hızlı şarj		☀	○	○	8A Şarj
	Tamamen şarj olmuş	Normal şarj	○	●	○	Şarj işlemi tamamlandı
		Hızlı şarj	●	○	○	Şarj işlemi tamamlandı
—	Başarılı özenetim		●	●	●	Şarj cihazı pili şarj etmek için kullanılabilir

●: Açık ○: Kapalı ☀: Yanıp sönüyor

SICAK VEYA SOĞUK PİL PAKETİNİN ŞARJ EDİLMESİ

Pil paketi normal sıcaklık aralığının dışındaysa, 3# LED kırmızı renkte yanar. Pil paketi yaklaşık 57°C'ye kadar soğuduğunda veya 3°C'ye kadar ısındığında, şarj cihazı otomatik olarak şarj etmeye başlar.

TR

ARIZALI PİL PAKETİ VEYA ŞARJ CİHAZI

Şarj cihazı güç kaynağına bağlandığında, şarj cihazı hemen özenetime başlar.

- Eğer özenetim başarısız olursa tüm LED'ler yanıp sönmez veya parlamaz.

Uyarı: Güç kablosunu sıra ile şarj cihazına ve güç kaynağına tekrar takmayı deneyin. Eğer LED'ler halen ikinci bir kez "arıza" veriyorsa şarj cihazınızı tamir etmek için EGO merkezi ile irtibat kurun.

- Şarj cihazı denetimi geçerse, 3 LED aynı anda 1 sn yanar, bu da şarj cihazının pil paketini şarj etmek için kullanılabilceği anlamına gelir. Şarj ederken, şarj cihazı bir arıza tespit ederse 3# LED yanıp sönmeye başlar veya tüm LED'ler söner.

- Arızalı olarak görülürse pil paketinin fişini çıkarın ve tekrar şarj cihazına takın. LED'ler ikinci kez "arızalı" olarak görünüyorsa, farklı bir pil paketini şarj etmeyi deneyin.
- Farklı bir pil paketi normal şekilde şarj ediliyorsa, arızalı pil paketini imha edin (pil paketinin kılavuzundaki talimatlara başvurun).
- Eğer farklı bir pil paketi de "arızalı" olarak belirtilirse kırmızı 3# LED sönene kadar şarj cihazını yeniden güç kaynağına bağlayın. Eğer 3 LED de halen kapalı ise veya 3# LED kırmızı renkte yanıp sönüyorsa şarj cihazı arızalı olabilir.

UYARI: Şarj cihazının arızalı olduğu doğrulanmışsa şarj etmeye çalışılmasını tavsiye etmiyoruz, bu elektrik çarpması veya ciddi yaralanmaya sebep olabilir.

DUVAR MONTAJ DELİKLERİ

Şarj cihazında uygun biçimde saklama amacıyla askı delikleri bulunur. Vidaları duvardan 76mm dışarıda kalacak şekilde monte edin.

BAKIM

UYARI: Ciddi kişisel yaralanmaları önlemek için, temizlik veya herhangi bir bakım işlemi gerçekleştirirken daima pil paketinin elektrik bağlantısını kesin.

UYARI: Bakım ve onarım sırasında sadece orijinal EGO yedek parçalarını kullanın. Diğer parçaların kullanılması tehlike oluşturabilir veya ürünün hasar görmesine neden olabilir.

UYARI: Şarj cihazını temizlemek için basınçlı kuru hava kullanılması tavsiye edilmez. Uygulanabilecek tek temizlik şekli basınçlı hava ise, şarj cihazını temizlerken daima göz koruması veya yan siperleri olan koruyucu gözlük kullanın. Çalışma tozlu ise bir toz maskesi de takın.

UYARI: Güç kablosu hasarlı ise sadece eşdeğer bir güç kablosunu kullanın. İzin verilmeyen güç kablosu kullanımı halinde elektrik çarpması veya yaralanma riski oluşturabilir.

GENEL BAKIM

Plastik parçaları temizlerken çözücü maddeler kullanmaktan kaçının. Çoğu plastik malzeme çeşitli ticari çözücü türlerinden etkilenmeye yatkındır ve kullanılmaları durumunda zarar görebilir. Kir, toz, yağ, gres, vb. gidermek için temiz bez kullanın.

UYARI: Fren sıvıları, benzin, petrol bazlı ürünler, içe işleyen yağlar, vb.nin plastik parçalara temas etmesine kesinlikle izin vermeyin. Kimyasal maddeler plastik parçalara hasar verebilir, bu tür parçaları zayıflatır veya parçalayabilir ve bu durum ciddi yaralanmalara neden olabilir.

UYARI: Bakım ve onarım sırasında sadece orijinal EGO yedek parçalarını kullanın. Diğer parçaların kullanılması tehlike oluşturabilir veya ürünün hasar görmesine neden olabilir. Güvenliği ve güvenilirliği sağlamak için, tüm onarım işlemleri bir EGO Servis Merkezinde, yetkili bir servis teknisyeni tarafından gerçekleştirilmelidir.

Çevre koruması



Elektrikli cihazları, pil şarj cihazını ve pilleri/şarj edilebilir pilleri evsel atıklarla birlikte atmayın!

AB Yasası 2012/19/EU uyarınca, kullanılamaz durumdaki elektrikli ve elektronik cihazlar ve AB Yasası 2006/66/EC uyarınca, arızalı veya kullanılmış pil paketleri/piller ayrı olarak toplanmalıdır.

Elektrikli cihazlar katı atık sahaları veya çöp toplama alanlarına atılırsa, yer altı sularına ve besin zincirine tehlikeli maddeler sızabilir, bu da sağlığınızın bozulmasına yol açabilir.



SORUN GİDERME

SORUN	SEBEP	ÇÖZÜM
Şarj cihazı çalışmıyor. 3# LED kırmızı renkte yanıp sönüyor veya tüm LED'ler sönmüş	Pil paketi veya şarj cihazı arızalı veya pil paketi ile şarj cihazı arasındaki bağlantı kötü.	<ul style="list-style-type: none">■ Pil paketini şarj cihazından çıkarıp yeniden takmayı deneyin.■ Farklı bir pil paketini şarj etmeyi deneyin.■ Şarj cihazının fişini çekin ve kırmızı LED sönmüncüye kadar bekleyin, ardından yeniden fişi prize takın.
	Şarj cihazını çok sık açıp kapatıyorsunuz	<ul style="list-style-type: none">■ Şarj cihazını tüm LED'ler söndükten 30 sn sonra güç kaynağına bağlayın.
Şarj cihazı çalışmıyor ve 3# LED kırmızı renkte yanıyor.	Pil paketi çok sıcak veya çok soğuk.	<ul style="list-style-type: none">■ Pil paketinin normal sıcaklığa ulaşmasını sağlayın. Pil paketi normal sıcaklığa döndüğünde şarj işlemi başlar.

GARANTİ

EGO GARANTİ POLİTİKASI

EGO Garanti politikasına ilişkin tüm hüküm ve koşullar için, lütfen egopowerplus.com adresindeki web sitemizi ziyaret edin.

TR

LUGEGE KÕIKI JUHISEID!



LUGEGE KASUTUSJUHENIDIT

Märkus: See juhend on saadaval ka teistsuguses vormingus, nt kodulehel.

⚠️ Kaasnev risk! Inimesed, kes kasutavad elektroonilisi seadmeid, nt südamestimulaatorit, peaksid enne selle toote kasutamist konsulteerima oma arstiga. Elektriseadmete kasutamine südamestimulaatori läheduses võib põhjustada südamestimulaatori häireid või rikkeid.

⚠️ HOIATUS: Turvalisuse ja usaldusvääruse tagamiseks peab kõiki parandustöid läbi viima kvalifitseeritud hooldustehnik.

⚠️ HOIATUS: Seda seadet on lubatud kasutada vähemalt 8-aastastel lastel ning vaimse või füüsilise puudega isikutel või inimestel, kellel puudub kogemus või erialased teadmised, eeldusel, et neile isikutele on tagatud järelevalve või nõustamine seadme ohutu kasutamise osas ning seadmega töötades esineda võivate ohtude kohta. Lapsed ei tohi seadmega mängida. Lapsed ei tohi ilma järelevalveta seadet hooldada ega puhastada.

OHUTUSSÜMBOLID

Ohutussümbolite eesmärk on pöörata tähelepanu võimalikele ohtudele. Ohutussümbolitele ja nende juures olevatele seletustele tuleb korralikult tähelepanu pöörata ja need endale selgeks teha. Ohutussümbolid iseenesest ei kõrvalda ohu olemasolu. Nendega kaasnevad juhendid ja hoiatused ei asenda asjakohaseid õnnetuste vältimise meetmeid.

⚠️ HOIATUS: Enne käesoleva seadme kasutamist lugege kindlasti läbi ja tehke endale selgeks kõik Kasutusjuhendis toodud ohutusjuhised, sh kõik ohutussümbolid nagu „OHT”, „HOIATUS”, ja „ETTEVAATUST”. Kui kõiki allpool loetletud juhiseid ei järgita, võib tagajärjeks olla elektrilöök, tulekahju ja/või tõsised isikuvigastused.

OHUTUSJUHISED

Sel lehel on kujutatud ja kirjeldatud ohutussümboliteid, mida võib käesolevalt tootelt leida. Enne, kui üritate masinat kokku panna ja kasutada, lugege, tehke omale selgeks ja järgige kõiki juhiseid.

	Ohutusteade	Teie turvalisusega seotud ettevaatusabinõud
	Lugege kasutusjuhendit	Vigastuste ohu vähendamiseks peab kasutaja enne toote kasutamist kasutusjuhendit lugema.
	Sisekasutus	Kasutage seda seadet ainult sisetingimustes
	II klassi konstruktsioon	Topeltisolatsiooniga konstruktsioon
	Kaitsmeühendused	Ajaviitega miniatuurne kaitsmeühendus
	CE	Toode vastab rakendatavatele EÜ direktiividele.
	UKCA	See toode vastab asjakohastele UK seadustele.
	WEEE	Elektritoodete jäätmetest ei tohi vabaneeda olmejäätmete seas. Viige heaks kiidetud taaskäitlaja juurde.
V	Volti	Pinge
A	Amprit	Voolutugevus
Hz	Hertsi	Sagedus (tsüklit sekundis)
W	Vatti	Võimsus
min	Minutit	Aeg
	Vahel-duvvool	Voolu tüüp
	Alalisvool	Voolu tüüp või omadus

⚠️ HOIATUS: Lugege kõiki juhiseid ja tehke need endale selgeks. Kui kõiki allpool loetletud juhiseid ei järgita, võib tagajärjeks olla elektrilöök, tulekahju ja/või tõsised isikuvigastused.

TÖÖPIIRKONNA OHUTUS

- **Hoidke tööpiirkond puhas ja hästi valgustatud.** Segadus või valgustamata tööpiirkonnad võivad põhjustada õnnetusi.
- **Ärge kasutage EGO-laadijat plahvatusohtlikus keskkonnas, kus leidub nt tuleohtlikke vedelikke, gaase või tolmu.** Laadija võib tekitada sädemeid, mis võivad süüdata tolmu või auru.

ELEKTRILINE OHUTUS

- **Ärge jätke laadijat vihma kätte ega niisketesse tingimustesse.** Kui laadijasse satub vett, suureneb elektrilöögi oht.

ET

- **Ärge rikkuge juhett.** Ärge kasutage juhett laadija kandmiseks või tõmbamiseks ja ärge tõmmake juhtmest, kui soovite pistikut pistikupesast eemaldada. Vältige juhtme kokkupuudet kuumade objektide, õli, teravate äärte või liikuvate osadega. Kahjustatud või puntras juhe suurendab elektrilöögi ohtu.
- EGO-laadijaga saab laadida allpool loetletud EGO liitiumioon-akuplokke:

LAADIJA	AKUPLOKID
CHX5500E	BAX1500

HOOLDUS

- **Laske oma laadijat hooldada kvalifitseeritud remonditehnikul, kes kasutab ainult identseid originaalvaruosi.** See tagab laadija ohutuse säilimise.
- **Remontimisel kasutage vaid originaalvaruosi. Järgige käesoleva kasutusjuhendi Hoolduse lõigus toodud juhiseid.** Lubamatute osade kasutamine või hooldusjuhiste eiramine võib põhjustada elektrilöögi või kehavigastuste ohtu.

LAADIJA TURVAREEGLID

⚠ ETTEVAATUST: Seadet ei tohi kasutada vähenenud füüsiliste, sensoorsete või vaimsete võimetega või vähest kogemustega ja teadmistega isikud (sh. lapsed), välja arvatud juhul, kui nende turvalisuse eest vastutav isik on taganud piisava järelevalve ja juhendamise vastava seadme kasutamise kohta.

- **Enne akulaadija kasutamist** lugege läbi kõik selles juhendis sisalduvad ja laadijale, akule ning akut kasutavale tootele kantud juhised ja hoiatustähised, et ennetada toodete väärkasutamist ja sellest põhjustatud võimalikke vigastusi või varalisi kahjusid.
- Ärge puudutage laadijat, laadija juhett ega laadija klemme märgade kätega.
- **Veenduge, et juhe on paigutatud nii, et sellele ei saa peale astuda, selle otsa ei saa komistada ning see ei saa kokku puutuda teravate äärte ega liikuvate detailidega. Vastasel juhul võite juhett kahjustada või liigselt kulutada.** Nii vähendate juhuslike kukkumiste riski, mis võivad põhjustada vigastusi või kahjustada juhett, mille tulemusena võite saada elektrilöögi.
- **Vältige juhtme ja laadija kokkupuudet kuumade objektidega, sest need kokkupuuted võivad kahjustada korpust või sisemisi detaile.**

- **Ärge laske bensiinil, õlidel, nafta baasil toodetel jms plastosadega kokku puutuda.** Need ained sisaldavad kemikaale, mis võivad plastikut vigastada, nõrgestada või hävitada.
- **Ärge kasutage laadijat, kui selle juhe või pistik on kahjustatud, sest nii võite põhjustada lühise või saada elektrilöögi.** Kahjustatud laadija vahetage või laske remontida kvalifitseeritud tehnikul EGO ametlikus hoolduskeskuses.
- **Ärge võtke laadijat osadeks lahti.** Kui seadet on vaja hooldada või remontida, viige see volitatud hooldustehniku juurde. Ebakorrektselt kokku monteeritud seade võib põhjustada elektrilöögi või tulekahju.
- **Enne seadme hooldamist või puhastamist eemaldage laadija elektrilöögi vältimiseks vooluvõrgust.**
- **Kui te laadijat ei kasuta, eemaldage see vooluvõrgust.** See vähendab elektrilöögi ja kahjustuste ohtu, kui seadme avasse peaks kukkuma metallosakesi. Samuti väldite niimoodi võimalikke pingekoikumisest tulenevaid kahjustusi.
- **Elektrilöögi oht.** Ärge puudutage pistikupesast isoleerimata osa ega aku isoleerimata klemme.
- **Hoidke need juhised alles.** Lugege neid sageli ning kasutage neid, et seadet kasutavaid isikuid välja õpetada. Kui te seadet kellelegi laenate, andke sellega kaasa ka käesolev kasutusjuhend, et vältida seadme väärkasutamist ja võimalikke vigastusi.

Olulised ohutusjuhised

- **Hoidke need juhised alles.** Selles juhendis sisalduvad olulised 56V kiiralaadija CHX5500E ohutus- ja kasutusjuhised.
- **Enne akulaadija kasutamist lugege läbi kogu kasutusjuhend ja kõik akulaadijale, akule ja akut kasutavale tootele paigaldatud ohutusmärgised.**

ET

ANDMED

Laadija sisend	220-240 V~50 Hz 550 W
Laadija väljund	4/8 A 56 V
Laadimisaeg	BAX1500 (1568 Wh) laadimine : 3,5 h (kiiralaadimine) 7 h (tavalaadimine)
Optimaalne laadimistemperatuur	5°C-40°C
Laadija mass	1.6 kg

KIRJELDUS

TUNNE OMA LAADIJAT (Joon. A)

- Toitejuhe
- Väljundliides
- Nupp
- 1# LED tuli (roheline)
- 2# LED tuli (roheline)
- 3# LED tuli (punane)
- Sisendliides
- Seinakinnitusauk
- Jahutusõhu ava

KASUTAMINE

KUIDAS AKUT LAADIDA

⚠ HOIATUS: Ärge kasutage laadijat välitingimustes ning vältige märgi või niiskeid keskkondi. Kui laadijasse satub vett, suureneb elektrilöögi oht.

MÄRKUS: Liitiumioon-akuplokkid tarnitakse osaliselt laetuna. Enne esmakordset kasutamist tuleb akuplokk täielikult laadida.

- Paigaldage eraldiseisev toitejuhe sisendliidesesse (Joon. B).
- Ühendage laadija vooluvõrku (220-240V/50Hz).
- Pange aku pistik laadijasse, nagu on näidatud Joonistel C ja D.
- Laadija suhtleb akuplokkiga, et hinnata akuploki laetust.

- Kui akuplokki laetakse tavarežiimis, vilgub roheline 2# LED tuli. Rohelise nupu vajutamisel vähemalt 1 sekundi jooksul muutub tavarežiimis laadimine kiiralaadimiseks, roheline 2# LED tuli kustub ja vilkuma hakkab 1# LED tuli. Laadijas olev ventilaator töötab akuploki jahutamiseks pidevalt.
- Kui akuplokk on täielikult laetud, lõpetab laadimist tähistav LED tuli vilkumise ja roheline tuli jääb püsivalt põlema. Oodake kuni jahutusventilaator seiskub, eemaldage akuplokk laadijast ja ühendage laadija vooluallikast lahti.
- Kui jätate akuploki laadijasse, laetakse see täielikult, aga ülelaadimist ei toimu.

MÄRKUS:

- Juhul, kui laadija ühendatakse vooluvõrku (1. samm) ning 3 LED tuld ei sütti, lugege peatükki „**DEFEKTNE AKUPLOKK VÕI LAADIJA**“.
- Täielikult laetud akuploki oluliselt vähenenud tööaeg viitab sellele, et akude tööiga hakkab lõppema ja need tuleks välja vahetada.
- Laadija võib laadimise käigus soojeneda. See on laadija tööga kaasnev normaalne näht. Laadige akuplokki hea ventilatsiooniga kohas.

LAADIJA LEDIDE FUNKSIONAALSUS

LED-INDIKAATOR	SELJAKOTT-AKU		LAADIJA LED TULI			TOIMING
			1# LED TULI (ROHELINE)	2# LED TULI (ROHELINE)	3# LED TULI (PUNANE)	
	Defektne		○	●		Akuplokk või laadija on defektne
	Ülekuumenemine	Tavarežiimis laadimine	○		●	Laadimine jätkub, kui akuploki temperatuur on taas normaalne
		Kiirlaadimine		○	●	Laadimine jätkub, kui akuploki temperatuur on taas normaalne
	Tavarežiimis laadimine		○		○	4A laadimine
	Kiirlaadimine			○	○	8A laadimine
	Täielikult laetud	Tavarežiimis laadimine	○	●	○	Laadimine on lõpetatud
		Kiirlaadimine	●	○	○	Laadimine on lõpetatud
—	Edukas iseseisev kontroll		●	●	●	Laadijat saab kasutada aku laadimiseks

●: Sees ○: Väljas : Vilgub

KUUMA VÕI KÜLMA AKUPLOKI LAADIMINE

Kui akuploki temperatuur ei ole lubatud normaalses vahemikus, põleb 3# LED tuli punaselt. Kui akuplokk jahtub temperatuurini 57°C või soojeneb üle 3°C, alustab laadija automaatselt laadimist.

DEFEKTNE AKUPLOKK VÕI LAADIJA

Laadija ühendamisel vooluvõrku alustab laadija kohe iseseisvat kontrolli.

1. Kui iseseisva kontrolli tulemuseks on viga, siis ükski LED tuli ei vilgu ega põle.

Märkus: Proovige toitejuhet uuesti õiges järjekorras laadija külge ja vooluvõrku ühendada. Kui LED tuled viitavad veale ka teist korda, võtke ühendust EGO keskusega, kus saab laadijat remontida.

2. Kui laadija läbib kontrolli edukalt, süttivad kõik 3 LED tuld samaaegselt 1 sekundiks, mis tähendab, et laadijat saab akuploki laadimiseks kasutada. Kui laadija tuvastab probleemi laadimise ajal, hakkab 3# LED tuli punaselt vilkuma või kõik LED tuled kustuvad.

- Defektide tuvastamisel võtke akuplokk laadijast välja ja ühendage akuploki pistik uuesti laadijaga. Kui LED tuled viitavad defektile ka teist korda, proovige laadida teist akuplokki.
- Kui teise akuploki laadimine õnnestub, viige defektne akuplokk jäätmekogumispunkti (vaadake juhiseid akuploki juhendist).
- Kui ka teise akuploki laadimisel ilmneb defekt, ühendage laadija uuesti vooluvõrguga, kuni 3# LED tuli kustub. Kui kõik 3 LED tuld on endiselt kustunud või kui 3# LED tuli vilgub punaselt, siis võib laadija olla defektne.

⚠ HOIATUS: Ärge proovige laadida akusid, kui laadija on defektne - see võib põhjustada elektrilööki või raskeid vigastusi.

SEINALEKINNITAMISE AUGUD

Laadijal on mugavat hoiustamist võimaldavad augud seadme seinale riputamiseks. Kinnitage kruvid seinale 76mm vahega.

HOOLDUS

⚠ HOIATUS: Raskete isikuvigastuste vältimiseks ühendage akuplokk alati enne puhastus- või hooldustoimingute teostamist laadija küljest lahti.

⚠ HOIATUS: Remondiks võib kasutada ainult identseid EGO originaalvaruosi. Mis tahes muude osade kasutamine võib põhjustada ohtlikke olukordi või seadet vigastada.

⚠ HOIATUS: Laadija puhastamiseks ei ole soovitatav kasutada kuiva suruõhku. Kui suruõhu kasutamine on ainus võimalik viis, kandke laadija puhastamise ajal kindlasti näokaitset või külgakaitsetega kaitseprille. Kui tööpiirkond on tolmune, kandke ka tolumumaski.

⚠ HOIATUS: Kui toitejuhe on kahjustunud, asendage see identse toitejuhtmega. Lubamatu toitejuhtme kasutamine võib põhjustada elektrilöögi või kehavigastuste ohu.

ÜLDHOOLDUS

Vältige plastosade puhastamisel lahustite kasutamist. Enamik plastmaterjalid on vastuvõtlikud müügil olevatest lahustitest tulenevatele kahjustustele. Kasutage mustuse, tolmu, õli, määrdet jms eemaldamiseks puhast lappi.

⚠ HOIATUS: Ärge kunagi laske pidurivedelikel, bensiinil, nafta baasil toodetel, läbitungivatel õlidel jms puutuda kokku plastosadega. Kemikaalid võivad plasti kahjustada, nõrgendada või hävitada, mille tagajärjeks võib olla raske kehavigastus.

⚠ HOIATUS: Remondiks võib kasutada ainult identseid EGO originaalvaruosi. Mis tahes muude osade kasutamine võib põhjustada ohtlikke olukordi või seadet vigastada. Turvalisuse ja usaldusväärsuse tagamiseks peab kõiki parandustöid läbi viima kvalifitseeritud hooldustehnik EGO hoolduskeskuses.

Keskkonnakaitse



Ärge visake elektriseadmeid, akulaadijat ega patareisid / akusid olmeprügi hulka!

Vastavalt Euroopa Liidu eriaruandele nr 2012/19/EÜ tuleb elektri- ja elektroonikaseadmed, mis pole enam kasutatavad, ning, vastavalt direktiivile 2006/66/EÜ, ka defektsed või kasutatud akuplokid / patareisid, eraldi kokku koguda.

Kui elektriseadmed maetakse maa sisse või viiakse prügimäele, võivad ohtlikud ained põhjavekke lekkida ja toiduahelasse sattuda ning kahjustada teie tervist ja heaolu.

TÖRKEOTSING

PROBLEEM	PÕHJUS	LAHENDUS
Laadija ei tööta. 3# LED tuli vilgub punaselt või kõik LED tuled on kustunud	Akuplokk või laadija on defektne või akuplokk ja laadija pole korralikult ühendatud.	<ul style="list-style-type: none">■ Võtke akuplokk laadijast välja ja pange tagasi.■ Proovige laadida teist akuplokki.■ Ühendage laadija vooluvõrgust lahti, oodake kuni punane LED kustub ja seejärel ühendage laadija uuesti vooluvõrku.
	Laadija on liiga vara sisse lülitatud	<ul style="list-style-type: none">■ Ühendage laadija vooluvõrku alles 30s pärast seda, kui LED tuled kustuvad.
Laadija ei tööta ja 3# LED tuli põleb punaselt.	Aku on liiga kuum või liiga külm.	<ul style="list-style-type: none">■ Laske akuploki normaalne temperatuur saavutada. Laadimine jätkub, kui akuploki temperatuur on taas normaalne.

GARANTII**EGO GARANTIIPÕHIMÕTTED**

Täielikud EGO garantiitingimused leiate veebilehelt egopowerplus.com.

ПРОЧИТАЙТЕ ВСІ ІНСТРУКЦІЇ



ПРОЧИТАЙТЕ ПОСІБНИК З ЕКСПЛУАТАЦІЇ

Примітка. Ці інструкції також доступні в альтернативному форматі, наприклад на веб-сайті.

⚠️ Залишковий ризик! Люди з електронними пристроями, наприклад кардіостимуляторами, повинні проконсультуватися зі своїм лікарем (лікарями) перед використанням цього виробу. Експлуатація електрообладнання в безпосередній близькості від кардіостимулятора може спричинити перешкоди або несправність кардіостимулятора.

⚠️ ПОПЕРЕДЖЕННЯ. Для гарантування безпеки та надійності всі ремонтні роботи повинен проводити кваліфікований технічний спеціаліст.

⚠️ ПОПЕРЕДЖЕННЯ. Цей інструмент можуть використовувати діти старші 8 років та особи зі зниклими фізичними, сенсорними та ментальними можливостями або котрим бракує досвіду та знань, якщо їм забезпечено нагляд та надано інструкції щодо безпечного користування інструментом і якщо вони розуміють можливу небезпеку. Дітям забороняється гратися з приладом. Дітям забороняється без нагляду чистити та обслуговувати прилад.

СИМВОЛИ, ЩО СТОСУЮТЬСЯ БЕЗПЕКИ

Мета символів, пов'язаних із безпекою, – привернути вашу увагу до можливих небезпек. Символи безпеки та їхнє пояснення заслуговують на вашу пильну увагу та розуміння. Символи попереджень самі по собі не усувають будь-якої небезпеки. Інструкції та попередження, які вони надають, не замінюють належних заходів щодо запобігання аваріям.

⚠️ ПОПЕРЕДЖЕННЯ. Перш ніж користуватися цим інструментом, обов'язково ознайомтеся з усіма інструкціями з безпеки, наведеними в цьому посібнику користувача, зокрема з усіма символами попереджень, такими як «**НЕБЕЗПЕКА**», «**ПОПЕРЕДЖЕННЯ**» та «**ЗАСТЕРЕЖЕННЯ**». Недотримання наведених нижче вказівок може спричинити ураження електричним струмом, пожежу та/або серйозні травми.

ВКАЗІВКИ З ТЕХНІКИ БЕЗПЕКИ

На цій сторінці зображено та описано символи, пов'язані з безпекою, які можуть відобразитися на цьому виробі. Перш ніж намагатися зібрати та

експлуатувати його, ознайомтеся з усіма інструкціями на машині та дотримуйтесь їх.

	Попередження щодо безпеки	Запобіжні заходи, що стосуються вашої безпеки
	Прочитайте посібник з експлуатації	З метою зменшення ризику отримання травм користувач повинен прочитати посібник з експлуатації.
	Використання в приміщенні	Цей пристрій можна використовувати лише в приміщенні
	Конструкція класу II	Конструкція з подвійною ізоляцією
T6,3A 	Плавкі запобіжники	Мініатюрний плавкий запобіжник із затримкою спрацювання
CE	CE	Цей виріб відповідає чинним директивам ЄС.
UK CA	UKCA	Цей продукт відповідає чинному законодавству Великобританії.
	WEEE	Відходи електричних виробів не слід викидати разом із побутовим сміттям. Зверніться до авторизованого пункту переробки.
V	Вольти	Напруга
A	Амperi	Струм
Hz	Герци	Частота (число циклів за секунду)
W	Вати	Потужність
min	Хвилини	Час
	Змінний струм	Тип струму
	Постійний струм	Тип або характеристика струму

ПОПЕРЕДЖЕННЯ. Ознайомтеся з усіма інструкціями. Недотримання наведених нижче вказівок може спричинити ураження електричним струмом, пожежу та/або серйозні травми.

UK

БЕЗПЕКА В РОБОЧІЙ ЗОНІ

- **Робоча зона має бути чистою й добре освітленою.** Неприбрана або погано освітлена робоча зона може стати причиною нещасного випадку.

- Не працюйте із зарядним пристроєм EGO у вибухонебезпечному середовищі, наприклад за наявності легкозаймистих рідин, газів або пилу. Під час роботи зарядного пристрою можуть утворюватись іскри, від яких можуть зайнятися пил або випари.

ЕЛЕКТРИЧНА БЕЗПЕКА

- Бережіть зарядний пристрій від дощу та вологи. Вода, що потрапила в зарядний пристрій, підвищує ризик ураження електричним струмом.
- Поводьтесь обережно зі шнуром живлення. Ніколи не використовуйте шнур для перенесення, витягнення або вимкнення зарядного пристрою. Тримайте шнур подалі від джерел тепла, мастил, гострих країв або рухомих деталей. Пошкоджені чи заплутані шнури живлення становлять небезпеку ураження електричним струмом.
- Зарядний пристрій EGO може заряджати літій-іонні акумулятори EGO, перелічені нижче:

ЗАРЯДНИЙ ПРИСТРІЙ	АКУМУЛЯТОРНІ БАТАРЕЇ
CHX5500E	VAX1500

СЕРВІС

- Обслуговування зарядного пристрою повинен виконувати кваліфікований ремонтник із використанням лише ідентичних запасних частин. Це забезпечить надійну роботу зарядного пристрою.
- Використовуйте для технічного обслуговування зарядного пристрою лише ідентичні запчастини. Дотримуйтесь інструкцій у розділі «Технічне обслуговування» цього посібника. Використання нездоzwолених деталей або невиконання інструкцій із технічного обслуговування може спричинити ризик ураження струмом або травми.

UK

ПРАВИЛА БЕЗПЕКИ ДЛЯ ЗАРЯДНОГО ПРИСТРОЮ

⚠ ЗАСТЕРЕЖЕННЯ. Цей прилад не призначено для використання особами (зокрема дітьми) з обмеженими фізичними, сенсорними чи розумовими можливостями, або такими, що мають недостатньо досвіду або знань, окрім випадків, якщо вони використовують прилад під наглядом або були проінструктовані стосовно його використання особою, відповідальною за їхню безпеку.

- Перш ніж користуватись зарядним пристроєм, ознайомтеся з усіма інструкціями та попереджувальними позначками в цьому посібнику, а також на зарядному пристрої, акумуляторі та виробі, щоб запобігти неналежному використанню виробів та можливим травмам або пошкодженням майна.
- Не торкайтеся зарядного пристрою, зокрема його вилки та клем, мокрими руками.
- Переконайтеся, що шнур розташовано таким чином, що ніхто на нього не наступить, не перечепиться, він не контактуватиме з гострими краями або рухомими частинами і не піддаватиметься іншим пошкодженням чи ударам. Це зменшить ризик випадкового падіння, що може спричинити травми, пошкодження шнура та ураження електричним струмом.
- Тримайте шнур і зарядний пристрій подалі від джерел тепла, щоб запобігти пошкодженню корпусу або внутрішніх деталей.
- Ніколи не допускайте контакту пластмасових частин із паливом, оліями, нафтопродуктами тощо. Ці матеріали містять хімікати, які можуть пошкодити, ослабити або знищити пластик.
- Не використовуйте зарядний пристрій із пошкодженим шнуром або штепселем, що може спричинити коротке замикання та ураження електричним струмом. У разі пошкодження зарядний пристрій слід відремонтувати або замінити в авторизованому сервісному центрі EGO.
- Не розбирайте зарядний пристрій. У разі виникнення потреби в обслуговуванні чи ремонті віднесіть його до вповноваженого сервісного центру. Неправильне збирання зарядного пристрою може призвести до ураження електричним струмом чи пожежі.
- Перш ніж здійснювати будь-яке технічне обслуговування або чищення, відключіть зарядний пристрій від електричної розетки, щоб зменшити ризик ураження електричним струмом.
- Відключайте зарядний пристрій від джерела живлення, коли він не використовується. Це зменшить ризик ураження електричним струмом або пошкодження зарядного пристрою внаслідок потрапляння металевих предметів в отвір. Це також допоможе запобігти пошкодженню зарядного пристрою під час стрибка напруги.
- **Небезпека ураження електричним струмом.** Не торкайтеся неізольованої частини вихідного роз'єму або неізольованої клемми акумулятора.

- **Збережіть цю інструкцію.** Часто переглядайте та використовуйте її, щоб навчати інших, хто може використовувати цей інструмент. Якщо ви надаєте комусь цей інструмент, надайте їм ці інструкції, щоб запобігти неналежному використанню виробу та можливим травмам.

ВАЖЛИВІ ВКАЗІВКИ ЩОДО БЕЗПЕКИ

- **Збережіть цю інструкцію.** Цей посібник містить важливі інструкції з техніки безпеки та експлуатації для пристрою швидкого заряджання СНХ5500Е 56 В.
- **Перш ніж користуватися зарядним пристроєм, ознайомтеся з усіма інструкціями та застереженнями щодо зарядного пристрою, акумулятора та виробу, у якому використовується акумулятор.**

ТЕХНІЧНІ ХАРАКТЕРИСТИКИ

Вхід зарядного пристрою	220–240 В–50 Гц 550 Вт
Вихід зарядного пристрою	4/8 А 56 В
Час зарядження	Заряджання ВАХ1500 (1568 Вт•год): 3,5 год (швидке заряджання) 7 год (звичайне заряджання)
Оптимальна температура заряджання	5°C–40°C
Вага зарядного пристрою	1,6 кг

ОПИС

ОЗНАЙОМЛЕННЯ ІЗ ЗАРЯДНИМ ПРИСТРОЄМ (рис. А)

1. Шнур живлення
2. Вихідний роз'єм
3. Кнопка
4. 1-й світлодіод (зелений)
5. 2-й світлодіод (зелений)
6. 3-й світлодіод (червоний)
7. Вхідний роз'єм

8. Отвір для настінного кріплення
9. Охолоджувальний вентиляційний отвір

ЕКСПЛУАТАЦІЯ

ЯК ЗАРЯДЖАТИ АКУМУЛЯТОРНУ БАТАРЕЮ

▲ ПОПЕРЕДЖЕННЯ. Не використовуйте зарядний пристрій поза приміщенням і не піддавайте умовам підвищеної вологості. Вода, що потрапила в зарядний пристрій, підвищує ризик ураження електричним струмом.

ПРИМІТКА. Літій-іонні акумулятори постачаються частково зарядженими. Перед першим використанням повністю зарядіть акумуляторну батарею.

1. Вставте окремих шнур живлення у вхідний роз'єм (рис. В).
2. Підключіть зарядний пристрій до джерела живлення (220–240 В/50 Гц).
3. Вставте штекер акумулятора в зарядний пристрій, як показано на рис. С та D.
4. Зарядний пристрій обмінюватиметься даними з акумуляторною батареєю для оцінювання її стану.
5. Коли відбувається звичайне заряджання акумулятора, блимає 2-й зелений індикатор на зарядному пристрої. Якщо натиснути й утримувати зелену кнопку принаймні 1 секунду, звичайне заряджання перемикається на швидке заряджання, а 2-й зелений індикатор гасне, і починає блимати 1-й зелений індикатор. Вентилятор у зарядному пристрої працює постійно для охолодження акумуляторної батареї.
6. Коли акумулятор повністю заряджено, світлодіодні індикатори заряджання припиняють блимати та безперервно світяться зеленим. Зачекайте, доки охолоджувальний вентилятор зупиниться, вийміть акумулятор із зарядного пристрою та від'єднайте зарядний пристрій від джерела живлення.
7. Акумулятор повністю зарядиться, якщо залишити його на зарядному пристрої, але він не заряджатиметься надмірно.

ПРИМІТКА.

- Якщо зарядний пристрій підключений до джерела живлення на кроці 1, але три світлодіоди все ще не світяться, зверніться до розділу «**НЕСПРАВНИЙ АКУМУЛЯТОР АБО ЗАРЯДНИЙ ПРИСТРІЙ**».

- Значно зменшений час роботи після повного заряджання акумуляторної батареї вказує на те, що акумулятори доходять до кінця терміну їхньої експлуатації і їх необхідно замінити.
- Зарядний пристрій може нагріватися під час заряджання. Це не виходить за рамки нормальної роботи зарядного пристрою. Заряджайте акумулятор у добре провітрюваному приміщенні.

ФУНКЦІЯ СВІТЛОДІОДНОГО ІНДИКАТОРА ЗАРЯДНОГО ПРИСТРОЮ

СВІТЛОДІОДНИЙ ІНДИКАТОР	НАПЛИЧНИЙ АКУМУЛЯТОР		СВІТЛОДІОД НА ЗАРЯДНОМУ ПРИСТРОЇ			ДІЯ
			1-й СВІТЛОДІОД (ЗЕЛЕНИЙ)	2-й СВІТЛОДІОД (ЗЕЛЕНИЙ)	3-й СВІТЛОДІОД (ЧЕРВОНИЙ)	
	Несправність		○	●		Несправність акумуляторної батареї або зарядного пристрою
	Перевищення температури	Звичайне заряджання	○		●	Заряджання почнеться, коли температура батареї буде в межах норми
		Швидке заряджання		○	●	Заряджання почнеться, коли температура батареї буде в межах норми
	Звичайне заряджання		○		○	Заряджання зі струмом 4 А
	Швидке заряджання			○	○	Заряджання зі струмом 8 А
	Повістю заряджено	Звичайне заряджання	○	●	○	Заряджання завершено
		Швидке заряджання	●	○	○	Заряджання завершено
—	Успішна самоперевірка		●	●	●	Зарядний пристрій можна використовувати для заряджання акумулятора
●: Увімкнено ○: Вимкнено : Блимання						

UK

ЗАРЯДЖЕННЯ ГАРЯЧОЇ АБО ХОЛОДНОЇ АКУМУЛЯТОРНОЇ БАТАРЕЇ

Якщо акумулятор за межами нормального діапазону температур, 3-й світлодіодний індикатор світить червоним. Коли акумуляторна батарея охолоне приблизно до 57 °C або нагріється до температури більше 3 °C, зарядний пристрій автоматично почне заряджання.

НЕСПРАВНИЙ АКУМУЛЯТОР АБО ЗАРЯДНИЙ ПРИСТРІЙ

Коли зарядний пристрій підключається до джерела живлення, він починає самоперевірку.

1. Якщо самоперевірка завершиться невдало, усі світлодіоди не блиматимуть і не світлитимуться.

Примітка. Спробуйте знову послідовно підключити шнур живлення до зарядного пристрою і джерела живлення. Якщо світлодіоди вдруге вказуватимуть на «несправність», зверніться до сервісного центру EGO, щоб відремонтувати зарядний пристрій.

2. Якщо зарядний пристрій проходить перевірку, 3 світлодіоди одночасно блиматимуть протягом 1 секунди. Це означає, що зарядний пристрій можна використовувати для заряджання акумуляторної батареї. Якщо зарядний пристрій виявляє проблему під час заряджання, 3-й світлодіодний індикатор почне блимати червоним, або всі світлодіоди вимкнуть.

- У разі індикації несправності видаліть і знову вставте штекер акумулятора в зарядний пристрій. Якщо світлодіодні індикатори знову вказуватимуть на несправність, спробуйте зарядити інший акумулятор.
- Якщо інший акумулятор заряджається належним чином, утилізуйте дефектний акумулятор (див. вказівки в інструкції акумулятора).
- Якщо інший акумулятор також вказує на «несправність», знову підключіть зарядний пристрій до джерела живлення, доки 3-й червоний індикатор не згасне. Якщо всі 3 світлодіоди все ще не світяться, або 3-й світлодіодний індикатор блимає червоним, зарядний пристрій, можливо, несправний.

⚠ ПОПЕРЕДЖЕННЯ. Не рекомендується пробувати заряджати акумулятор, коли підтверджено, що зарядний пристрій несправний. Це може спричинити ураження електричним струмом або навіть серйозну травму.

ОТВОРИ ДЛЯ НАСТІННОГО КРІПЛЕННЯ

Зарядний пристрій має отвори для вішання, завдяки яким його зручно зберігати. Установіть гвинти в стіну на відстані 76 мм один від одного.

ТЕХНІЧНЕ ОБСЛУГОВУВАННЯ

⚠ ПОПЕРЕДЖЕННЯ. Щоб уникнути серйозних травм, завжди від'єднуйте акумуляторну батарею від зарядного пристрою, перш ніж очистити або виконувати будь-яке технічне обслуговування.

⚠ ПОПЕРЕДЖЕННЯ. Використовуйте для технічного обслуговування лише ідентичні запчастини EGO. Використання будь-яких інших частин створює небезпеку або може призвести до поломки виробу.

⚠ ПОПЕРЕДЖЕННЯ. Не рекомендується використовувати стиснуте сухе повітря для очищення зарядного пристрою. Якщо єдиним способом застосування є очищення стисненим повітрям, завжди використовуйте закриті захисні окуляри або відкриті захисні окуляри з бічними щитками під час чищення зарядного пристрою. Коли здійснюється пил, надягайте також протипилову маску.

⚠ ПОПЕРЕДЖЕННЯ. Якщо шнур живлення пошкоджено, використовуйте лише ідентичний шнур живлення. Використання недозволеного шнура живлення може спричинити ризик ураження струмом або травми.

ЗАГАЛЬНИЙ ТЕХНІЧНИЙ ДОГЛЯД

Не застосовуйте розчинники, коли чистите пластмасові деталі. Більшість пластмас чутливі до різноманітних промислових розчинників і можуть бути ними пошкоджені. Для видалення бруду, пилу, мастила тощо користуйтеся чистою ганчіркою.

⚠ ПОПЕРЕДЖЕННЯ. Ніколи не допускайте контакту пластмасових частин із гальмівною рідиною, газоліном, нафтопродуктами, проникаючими оліями і т. ін. Хімікати можуть пошкодити, ослабити або зруйнувати пластмасу, а це загрожує серйозними травмами.

⚠ ПОПЕРЕДЖЕННЯ. Використовуйте для технічного обслуговування лише ідентичні запчастини EGO. Використання будь-яких інших частин створює небезпеку або може призвести до поломки виробу. Для гарантування безпеки та надійності всі ремонтні роботи повинен проводити кваліфікований технічний спеціаліст у сервісному центрі EGO.

Захист довкілля



Не викидайте електричне обладнання, зарядний пристрій та батарейки/акумулятори в побутові відходи!

Відповідно до європейського закону 2012/19/ЄС електричне та електронне обладнання, яке більше не придатне для використання, і згідно з європейським законом 2006/66/ЄС дефектні або використані акумуляторні батареї мають збиратись окремо.

Якщо електричний пристрій утилізується на сміттєзвалищі, небезпечні речовини можуть вилетіти в ґрунтові води та потрапити в харчовий ланцюг, що може зашкодити вашому здоров'ю та самопочуттю.

UK



УСУНЕННЯ НЕСПРАВНОСТЕЙ

ПРОБЛЕМА	ПРИЧИНА	ВИРІШЕННЯ
Зарядний пристрій не працює. 3-й світлодіодний індикатор блимає червоним, або всі світлодіоди гаснуть.	Акумуляторна батарея або зарядний пристрій несправні, або пошкоджено з'єднання між акумуляторною батареєю і зарядним пристроєм.	<ul style="list-style-type: none">■ Спробуйте видалити і знову вставити акумулятор у зарядний пристрій.■ Спробуйте зарядити іншу акумуляторну батарею■ Відключіть зарядний пристрій від джерела живлення й зачекайте, доки червоний індикатор не згасне, а потім знову під'єднайте вилку до джерела живлення.
	Зарядний пристрій перемикається занадто часто	
Зарядний пристрій не працює, а 3-й світлодіодний індикатор світить червоним.	Акумулятор занадто гарячий або холодний.	<ul style="list-style-type: none">■ Дайте акумуляторній батареї досягти нормальної температури. Зарядження почнеться, коли температура батареї буде в межах норми.

ГАРАНТІЯ

ПРАВИЛА ГАРАНТІЇ EGO

Відвідайте веб-сайт egopowerplus.com для отримання повного тексту умов гарантійної політики EGO.

UK

ПРОЧЕТЕТЕ ВСИЧКИ ИНСТРУКЦИИ)



ПРОЧЕТЕТЕ РЪКОВОДСТВОТО НА ОПЕРАТОРА

Забележете: Тези инструкции също са налични в алтернативен формат, напр. на уебсайт.

⚠️ Остатъчен риск! Хора с електронни устройства, като пейсмейкър трябва да се консултират с лекуващия(те) си лекар(и) преди употреба на този продукт. Работата с електрическо оборудване в непосредствена близост до сърдечен пейсмейкър може да предизвика смущение или неизправност на пейсмейкъра.

⚠️ ПРЕДУПРЕЖДЕНИЕ: За да осигурите безопасността и надеждността, всички поправки трябва да се извършват от квалифициран сервизен техник.

⚠️ ПРЕДУПРЕЖДЕНИЕ: Този уред може да се използва от деца на възраст от 8 години и повече, и лица с понижени физически, сетивни или умствени способности или без опит и познание, ако са им осигурени наблюдение или инструктаж относно безопасната употреба на уреда и са осъзнати съответстващите опасности. Децата не трябва да си играят с уреда. Почистването и потребителската поддръжка не трябва да се извършва от деца без наблюдение.

СИМВОЛИ ЗА БЕЗОПАСНОСТ

Целта на символите за безопасност е да привличат вниманието към възможни опасности. Символите за безопасност и обясненията към тях заслужават вашето повишено внимание и осъзнаване. Символите за безопасност сами по себе си не елиминират каквато и да е опасност. Инструкциите и предупрежденията, които предоставят не са заместители за подходящите мерки за предотвратяване на инцидент.

⚠️ ПРЕДУПРЕЖДЕНИЕ: Уверете се, че сте прочели и осъзнали всички инструкции за безопасност в това Ръководство на оператора, включително всички известяващи символи за безопасност, като **“ОПАСНОСТ,”** **“ПРЕДУПРЕЖДЕНИЕ,”** и **“ВНИМАНИЕ”** преди да използвате този инструмент. Неспазването на всички инструкции изброени долу може да доведе до електрически шок, пожар и/или сериозно нараняване.

ИНСТРУКЦИИ ЗА БЕЗОПАСНОСТ

Тази страница изобразява и описва символите за безопасност, които може да се появят по този продукт. Прочетете, осъзнайте и следвайте всички инструкции по машината преди предприемане на сглобяване или работа.

	Сигнал за безопасност	Предпазни мерки, които засягат Вашата безопасност.
	Прочетете ръководството на оператора	За намаляване на опасността от нараняване, потребителят трябва да прочете ръководството на оператора.
	Употреба на закрито.	Използвайте това устройство само на закрито
	Конструкция клас II	Двойно изолирана конструкция
	Стопиеми вложки на предпазител	Бавнодействащ миниатюрен стопием предпазител
	CE	Този продукт е в съответствие с приложимите директиви на ЕС.
	UKCA	Този продукт е в съответствие с приложимото законодателство на Великобритания.
	WEEE	Отпадъчните електрически продукти не трябва да бъдат изхвърляни заедно с домакинския отпадък. Отнесете го до упълномощено място за рециклиране.
V	Волта	Напрежение
A	Ампера	Ток
Hz	Херца	Честота (цикъла за минута)
W	Вата	Мощност
min	Минути	Време
	Променлив ток	Вид ток
	Постоянен ток	Вид или характеристика на тока

⚠️ ПРЕДУПРЕЖДЕНИЕ: Прочетете и осъзнайте всички инструкции. Неспазването на всички инструкции изброени долу може да доведе до електрически шок, пожар и/или сериозно нараняване.

BG

БЕЗОПАСНОСТ В РАБОТНАТА ЗОНА

- **Поддържайте работната зона чиста и добре осветена.** Разхвърляни или тъмни работни зони поражда инциденти.

- Не работете със зарядното устройство EGO в експлозивна среда, като например в присъствието на запалими течности, газ или прах. Зарядното устройство може да създаде искра, която може да възпламени праха или изпаренията.

ЕЛЕКТРИЧЕСКА БЕЗОПАСНОСТ

- Не излагайте зарядното устройство на дъжд или влажни условия. Навлизането на вода в зарядното устройство ще увеличи риска от електрически шок.
- Не злоупотребявайте с кабела. Никога не използвайте кабела за пренасяне, изтегляне или изключване от контакта на зарядното устройство. Дръжте кабела настрана от топлина, масло, остри ръбове или движещи се части. Повредени или оплетени кабели увеличават риска от електрически шок.
- Зарядното устройство EGO може да зарежда литиево-йонните акумулаторни батерии EGO изброени долу:

ЗАРЯДНО УСТРОЙСТВО	АКУМУЛАТОРНИ БАТЕРИИ
CHX5500E	BAX1500

ОБСЛУЖВАНЕ

- Обслужвайте вашето зарядно устройство чрез квалифициран техник, като използвате само идентични резервни части. Това ще осигури поддържането на безопасност за вашето зарядно устройство.
- Когато обслужвате зарядно устройство, използвайте само идентични резервни части. Следвайте инструкциите в раздел Поддръжка на това ръководство. Употребата на неотризирирани части или неспазването на инструкциите за поддръжка може да създадат риск от шок или нараняване.

ПРАВИЛА ЗА БЕЗОПАСНОСТ ЗА ЗАРЯДНО УСТРОЙСТВО

⚠ ВНИМАНИЕ: Този уред не е предназначен за употреба от лица (включително деца) с понижени физически, сетивни или умствени способности, или без опит и познания, освен ако не им е осигурено наблюдение или инструктаж относно употребата на уреда от лице отговорно за тяхната безопасност.

- Преди употреба на зарядното устройство за акумулаторни батерии, прочетете всички инструкции и маркировки за внимание в това ръководство и върху зарядното устройство за акумулаторни батерии, акумулаторната батерия и продукта, за да се предотврати злоупотреба с продуктите и възможно нараняване или повреда.
- Не работете със зарядното устройство, включително с щепсела на зарядното устройство и клемите на зарядното устройство с влажни ръце.
- Уверете се, че кабелът е разположен така, че няма да бъде настъпван, прегазван, няма да влиза в контакт с остри ръбове или движещи се части или по друг начин да бъде подложено на повреда или стрес. Това ще намали риска от инцидентни неизправности, които могат да предизвикат нараняване и повреда на кабела, което в такъв случай може да доведе до електрически шок.
- Пазете кабела и зарядното устройство от топлина, за да се предотврати повреда по корпуса или вътрешните части.
- Не позволявайте бензин, масло, петролни продукти и т.н. да влизат в контакт с пластмасовите части. Тези материали съдържат химикали, които могат да повредят, отслабят или разрушат пластмасата.
- Не работете със зарядното устройство при повреден кабел или щепсел, което може да предизвика късо съединение и електрически шок. При повреда поправете или подменете зарядното устройство с помощта на упълномощен сервизен техник в сервизния център EGO.
- Не разглобявайте зарядното устройство. Отведете го при упълномощен сервизен техник, когато е необходима поправка или обслужване. Неправилното повторно сглобяване може да доведе до създаване на опасност от електрически шок или пожар.
- Изключвайте от контакта зарядното устройство преди предприемане на каквато и да е поддръжка или почистване, за да се намали опасността от електрически шок.
- Изключвайте зарядното устройство от електрозахранването, когато не се използва. Това ще намали опасността от електрически шок или повреда по зарядното устройство в случай, че метални предмети попаднат в отвора. Това също така ще помогне да се предотврати повреда на зарядното устройство при пренапрежение.

- **Опасност от електрически шок.** Не докосвайте неизолираната част на изходящия конектор или неизолираните клеми на акумулаторната батерия.
- **Запазете тези инструкции.** Обръщайте се често към тях и ги използвайте за инструктиране на други, които може да използват този инструмент. Ако заемете този инструмент на някой друг, заемете им също и тези инструкции, за да се предотврати злоупотреба с продукта и вероятно нараняване.

ВАЖНИ ИНСТРУКЦИИ ЗА БЕЗОПАСНОСТ

- **Запазете тези инструкции.** Това ръководство съдържа важна информация за безопасността и инструкции за работа за зарядно устройство СНХ5500Е 56V.
- **Преди употреба на зарядното устройство за акумулаторни батерии прочетете всички инструкции и маркировките за внимание по зарядното устройство за акумулаторни батерии, акумулаторната батерия и продукта, който използва батерията.**

СПЕЦИФИКАЦИИ

Входящ ток на зарядното устройство	220-240 V~50 Hz 550 W
Изходящ ток на зарядното устройство	4/8 A 56 V
Време на зареждане	Зарежда ВАХ1500 (1568 Wh) : 3,5 ч (бързо зареждане) 7 ч (нормално зареждане)
Оптимална температура на зареждане	5°C-40°C
Тегло на зарядното устройство	1,6 кг

ОПИСАНИЕ

ОПОЗНАЙТЕ ВАШЕТО ЗАРЯДНО УСТРОЙСТВО (фиг. А)

1. Захранващ кабел
2. Изходен интерфейс
3. Бутон
4. 1# светодиода (зелен)
5. 2# светодиода (зелен)

6. 3# светодиода (червен)
7. Входящ интерфейс
8. Монтажен отвор за стена
9. Отвор за въздух за охлаждане

ЕКСПЛОАТАЦИЯ

КАК СЕ ЗАРЕЖДА АКУМУЛАТОРНА БАТЕРИЯ

⚠ ПРЕДУПРЕЖДЕНИЕ: Не използвайте зарядното устройство на открито или не го излагайте на мокри или влажни условия. Навлизането на вода в зарядното устройство ще увеличи риска от електрически шок.

БЕЛЕЖКА: Литиево-йонни акумулаторни батерии се доставят частично заредени. Преди употреба за първи път, напълно заредете акумулаторната батерия.

1. Вкарайте отделен захранващ кабел във входящия интерфейс (фиг. В).
2. Свържете зарядното устройство към електрозахранването (220-240V/50Hz).
3. Вкарайте щепсела на батерията в зарядното както е показано на фиг. С и D.
4. Зарядното устройство ще комуникира с акумулаторната батерия за да оцени състоянието на акумулаторната батерия.
5. Когато акумулаторната батерия се зарежда нормално ще светне зеления 2# светодиода на зарядното. Ако задържите зеления бутон натиснат поне за 1 секунда, нормалното зареждане ще се трансформира в бързо зареждане и зеленият 2# светодиода ще угасне, а зеленият 1# светодиода ще започне да свети. Вентилаторът в зарядното устройство работи непрекъснато за охлаждане на акумулаторната батерия.
6. Когато акумулаторната батерия е напълно заредена, светодиодите, които показват зареждането спират да мигат и светят непрекъснато зелено. Изчакайте докато охлаждащият вентилатор спре, отстранете батерията от зарядното и разединете зарядното от електрическата мрежа.
7. Акумулаторната батерия ще се зареди напълно, ако се остави на зарядното устройство, но няма да се презареди.

BG

БЕЛЕЖКА:

- Докато зарядното е свързано към захранване в стъпка 1, ако 3-те светодиода все още са изключени вижте раздела "ДЕФЕКТНА БАТЕРИЯ ИЛИ ЗАРЯДНО".
- Значително намалено време на работа след пълно зареждане на акумулаторната батерия показва, че батериите са близо до края на експлоатационния си живот и трябва да се подменят.
- Зарядното устройство може да се затопля по време на зареждане. Това е част от нормалната работа на зарядното устройство. Зареждайте в добре проветрено място.

СВЕТОДИОДНИ ФУНКЦИИ НА ЗАРЯДНОТО УСТРОЙСТВО

СВЕТОДИОДЕН ИНДИКАТОР	БАТЕРИЯ НА РАНИЦА		СВЕТОДИОД НА ЗАРЯДНОТО УСТРОЙСТВО			ДЕЙСТВИЕ
			1# СВЕТОДИОД (ЗЕЛЕН)	2# СВЕТОДИОД (ЗЕЛЕН)	3# СВЕТОДИОД (ЧЕРВЕН)	
	Дефектирала		○	●	☼	Акумулаторната батерия или зарядното устройство са дефектни.
	Надвишена температура	Нормално зареждане	○	☼	●	Зареждането ще започне, когато акумулаторната батерия се върне до нормалната температура
		Бързо зареждане	☼	○	●	Зареждането ще започне, когато акумулаторната батерия се върне до нормалната температура
	Нормално зареждане		○	☼	○	4 A зареждане
	Бързо зареждане		☼	○	○	8 A зареждане
	Напълно заредена	Нормално зареждане	○	●	○	Зареждането е завършено
		Бързо зареждане	●	○	○	Зареждането е завършено
—	Успешна самопроверка		●	●	●	Зарядното може да бъде използвано за зареждане на батерията.

●: Вкл. ○: Изкл. ☼: Мигаща

ЗАРЕЖДАНЕ НА ГОРЕЩА ИЛИ СТУДЕНА АКУМУЛАТОРНА БАТЕРИЯ

Ако акумулаторната батерия е извън нормалния температурен обхват, светодиодиод 3# ще свети червено. Когато акумулаторната батерия се охлади приблизително до 57°C или се затопли до повече от 3°C, зарядното автоматично ще започне да зарежда.

ДЕФЕКТНА АКУМУЛАТОРНА БАТЕРИЯ ИЛИ ЗАРЯДНО УСТРОЙСТВО

Веднъж, след като зарядното е свързано със захранващата мрежа, то ще започне самопроверка незабавно.

1. Ако самопроверката бъде неуспешна, всички светодиоди няма да мигат или светят.

Забележете: Опитайте отново да поставите захранващия кабел в зарядното и в захранващата мрежа последователно. Ако светодиодите все още показват "неизправност" за втори път, свържете се с EGO център за да поправите вашето зарядно.

2. Ако зарядното премине инспекцията 3-те светодиода ще светнат едновременно за 1 секунда, което означава, че зарядното може да бъде използвано за зареждане на батерията. По време на зареждане ако зарядното устройство отчете проблем, светодиодиод 3# ще започне да мига в червено или всички светодиоди ще се изключат.

- Ако се отчете като дефектна, премахнете и въведете повторно щепсела на акумулаторната батерия в зарядното устройство. Ако светодиодите все още отчитат "дефект" за втори път, опитайте зареждане на различна акумулаторна батерия.
- Ако различната акумулаторна батерия се зарежда нормално, изхвърлете дефектната акумулаторна батерия (виж инструкциите в ръководството за акумулаторна батерия).
- Ако различна акумулаторна батерия също отчете "дефект", свържете отново зарядното към захранването, докато червеният светодиодиод 3# изгасне. Ако всички 3 светодиода продължават да са изключени или светодиодиод 3# свети в червено, зарядното може да е дефектно.

⚠ ПРЕДУПРЕЖДЕНИЕ: Не се препоръчва да опитате зареждане, докато зарядното е потвърдено като дефектно, това може да причини токов удар или дори сериозно нараняване.

МОНТАЖНИ ОТВОРИ ЗА СТЕНА

Зарядното устройство притежава отвори за окачване с цел удобно съхранение. Поставете винтовете в стената на разстояние 76 мм един от друг.

ПОДДРЪЖКА

⚠ ПРЕДУПРЕЖДЕНИЕ: За да избегнете нараняване, винаги разединявайте акумулаторната батерия от зарядното, когато почиствате или извършвате поддръжка.

⚠ ПРЕДУПРЕЖДЕНИЕ: Когато обслужвате, използвайте само идентични резервни части. Употребата на каквито и да е други части може да създаде опасност или да предизвика повреда на продукта.

⚠ ПРЕДУПРЕЖДЕНИЕ: Не е препоръчително да се използва сух въздух като метод за почистване на зарядното устройство. Ако почистването със сух въздух е единственият метод за прилагане, винаги носете предпазни очила със странични екрани, когато почиствате зарядното. Ако работата е прашна, също така носете прахозащитна маска.

⚠ ПРЕДУПРЕЖДЕНИЕ: Ако захранващият кабел е повреден, използвайте единствено идентичен захранващ кабел. Използването на неотризиран захранващ кабел може да създаде риск от токов удар или нараняване.

ОБЩА ПОДДРЪЖКА

Избягвайте употребата на разтворители, когато почиствате пластмасовите части. Повечето пластмасови части са уязвими на повреда от различни видове разтворители в търговската мрежа и може да се повредят от тяхната употреба. Използвайте чист плат, за премахване на мръсотия, прах, масло и т.н.

⚠ ПРЕДУПРЕЖДЕНИЕ: Никога не позволявайте спирателна течност, бензин, петролни продукти, проникващи масла и т.н. да влизат в контакт с пластмасовите части. Химикалите могат да повредят, отслабят или разрушат пластмасата, което може да доведе сериозно нараняване.

⚠ ПРЕДУПРЕЖДЕНИЕ: Когато обслужвате, използвайте само идентични резервни части. Употребата на каквито и да е други части може да създаде опасност или да предизвика повреда на продукта. За да осигурите безопасността и надеждността, всички поправки трябва да се извършват от квалифициран сервизен техник в сервизния център EGO.

Опазване на околната среда



Не изхвърляйте електрическо оборудване, зарядно устройство за акумулаторни батерии и батерии/ акумулаторни батерии в домакинския отпадък.

Съгласно европейския закон 2012/19/ЕС, електрическо и електронно оборудване, което повече не може да се използва и съгласно европейското законодателство 2006/66/ЕО, дефектните или използваните акумулаторни батерии/ батерии трябва да се събират отделно.

Ако се изхвърлят електрически уреди в сметища или бунища, опасни вещества могат да изтекат в подпочвените води и да попаднат в хранителната верига, като увредят вашето здраве и благосъстояние.

ОТСТРАНЯВАНЕ НА НЕИЗПРАВНОСТИ

ПРОБЛЕМ	ПРИЧИНА	РЕШЕНИЕ
Зарядното устройство не работи. Светодиод 3# мига в червено или всички светодиоди са изключени.	Акумулаторната батерия или зарядното устройство са дефектни или връзката е лоша между акумулаторната батерия и зарядното устройство.	<ul style="list-style-type: none">■ Опитайте да извадите и да въведете повторно акумулаторната батерия в зарядното устройство.■ Опитайте зареждане на различна акумулаторна батерия.■ Изключете от контакта зарядното устройство и изчакайте до изгасване на червения светодиод, след това включете повторно щепсела към електрозахранването.
	Превключване на зарядното твърде често	<ul style="list-style-type: none">■ Свържете зарядното към електрическото захранване след 30 сек. след като всички светодиоди се изключат.
Зарядното устройство не работи и светодиод 3# свети червено.	Акумулаторната батерия е твърде гореща или твърде студена.	<ul style="list-style-type: none">■ Позволете на акумулаторната батерия да достигне нормална температура. Зареждането ще започне, когато акумулаторната батерия се върне до нормалната температура.

ГАРАНЦИЯ

ГАРАНЦИОННА ПОЛИТИКА EGO

Моля, посетете уебсайта egopowerplus.com за пълните срокове и условия по гаранционната политика на EGO.

PROČITAJTE UPUTE U CIJELOSTI!



PROČITAJTE KORISNIČKI PRIRUČNIK

Obavijest: Ove upute bit će dostupne i u alternativnom formatu, npr. na internetskoj stranici.

⚠️ Preostale opasnosti! Osobe s elektroničkim uređajima poput srčanih elektrostimulatora prije korištenja ovog proizvoda trebaju se posavjetovati sa svojim liječnikom. Rad električne opreme u neposrednoj blizini srčanih elektrostimulatora može prouzročiti smetnju ili kvar srčanog elektrostimulatora.

⚠️ UPOZORENJE: Radi sigurnosti i pouzdanosti sve popravke treba obavljati kvalificirani servisni tehničar.

⚠️ UPOZORENJE: Ovaj uređaj mogu koristiti djeca starosne dobi od 8 godina i starija te osobe ograničenih fizičkih, osjetilnih ili mentalnih sposobnosti ili nedostatnog iskustva i znanja ako su pod nadzorom ili ako su upućeni u siguran način korištenja uređaja te ako su razumjeli opasnosti u svezi s tim. Djeca se ne smiju igrati uređajem. Čišćenje i održavanje koje obavlja korisnik ne smiju obavljati djeca bez nadzora.

SIGURNOSNI SIMBOLI

Svrha sigurnosnih simbola je skretanje pozornosti na moguće opasnosti. Sigurnosni simboli i njihova objašnjenja zahtijevaju vašu potpunu pozornost i razumijevanje. Sami simboli upozorenja ne isključuju opasnost. Upute i upozorenja koja pružaju nisu zamjena za propisane mjere za prevenciju nesreća.

⚠️ UPOZORENJE: Prije korištenja ovog alata pobrinite se da sve upute u ovom korisničkom priručniku, uključujući sve sigurnosne simbole kao što su „OPASNOST“, „UPOZORENJE“ i „OPREZ“, pročitate s razumijevanjem. Zanemarivanje svih uputa navedenih u nastavku može rezultirati strujnim udarom, požarom i/ili teškim tjelesnim ozljedama.

SIGURNOSNE NAPOMENE

HR

Na ovoj stranici slikovno su prikazani i objašnjeni sigurnosni simboli koji se mogu pojaviti na ovom proizvodu. Prije pokušaja sastavljanja i rukovanja s razumijevanjem pročitate sve upute na stroju i pridržavajte ih se.

	Sigurnosno upozorenje	Mjere opreza koje se odnose na vašu sigurnost
	Pročitajte korisnički priručnik	Zbog smanjenja opasnosti od ozljeda, korisnik treba pročitati korisnički priručnik.
	Uporaba u zatvorenom prostoru.	Ovaj uređaj koristite samo u zatvorenim prostorima.
	Izvedba razreda II	Konstrukcija s dvostrukom izolacijom
	Rastalni osigurači	Minijaturni tromi rastalni osigurač
	CE	Ovaj proizvod je u skladu s primjenjivim Direktivama EU.
	UKCA	ovaj proizvod sukladan je važećim zakonima u UK.
	WEEE	Otpadni električni proizvodi ne smiju se odlagati s otpadom iz kućanstva. Odnosite ih u ovlašteni centar za reciklažu.
V	Volt	Napon
A	Amperi	Struja
Hz	Herc	Frekvencija (ciklusi u sekundi)
W	Vat	Snaga
min	Minuta	Vrijeme
	Izmjenična struja	Vrsta struje
	Istosmjerna struja	Vrsta ili karakteristike struje

⚠️ UPOZORENJE: S razumijevanjem pročitate sve upute. Zanemarivanje svih uputa navedenih u nastavku može rezultirati strujnim udarom, požarom i/ili teškim tjelesnim ozljedama.

SIGURNOST RADNOG PODRUČJA

- Radno područje održavajte čistim i dobro osvijetljenim. Pretrpana ili mračna područja izazivaju nesreće.
- EGO punjačem ne rukujte u eksplozivnim okruženjima, primjerice u prisutnosti zapaljivih tekućina, plinova ili prašine. Punjač može stvoriti iskre koje mogu zapaliti prašinu ili isparenja.

ELEKTRIČNA SIGURNOST

- Punjač ne izlažite kiši ili mokrim uvjetima. Prodiranje vode u punjač povećat će rizik od strujnog udara.

- **Kabel ne koristite nepropisno.** Kabel nikada ne koristite za nošenje, povlačenje ili isklapanje punjača iz električne mreže. Držite kabel podalje od topline, ulja, oštrih rubova ili pokretnih dijelova. Oštećeni ili isprepleteni kabeli povećavaju rizik od strujnog udara.
- EGO punjač može puniti EGO litij-ionske baterijske module navedene u nastavku:

PUNJAČ	BATERIJSKI MODUL
CHX5500E	BAX1500

SERVISIRANJE

- Servisiranje punjača prepustite kvalificiranom osoblju za popravak koje koristi samo identične zamjenske dijelove. Time će se osigurati održavanje sigurnosti punjača.
- Pri servisiranju punjača koristite samo identične zamjenske dijelove. Pridržavajte se uputa u poglavlju Održavanje ovog priručnika. Korištenje neodobrenih dijelova ili zanemarivanje uputa u poglavlju Održavanje može rezultirati rizikom od strujnog udara ili ozljeda.

SIGURNOSNE NAPOMENE ZA PUNJAČ

⚠ OPREZ: Ovaj uređaj nije predviđen da njime rukuju osobe (uključujući djecu) ograničenih fizičkih, osjetilnih ili mentalnih sposobnosti ili nedostatnog iskustva i znanja, osim ako ih nadzire osoba odgovorna za njihovu sigurnost koja im daje upute o načinu korištenja uređaja.

- **Prije korištenja punjača baterija,** u cijelosti pročitajte upute i upozorenja u ovom priručniku i na punjaču baterija, bateriji i proizvodu kako biste spriječili neispravno korištenje proizvoda i moguće ozljede ili oštećenja.
- **Punjačem, uključujući utikač i kontakte punjača, ne rukujte mokrim rukama.**
- **Vodite računa da kabel postavite tako da ne postoji mogućnost hodanja po kabelu, spoticanja o kabel, kontakta kabela s oštrim rubovima ili pokretnim dijelovima ili da kabel ne bude predmetom oštećenja ili opterećenja.** Time će se smanjiti rizik od slučajnih padova koji mogu rezultirati ozljedama i oštećenjem kabela, što opet može rezultirati strujnim udarom.
- **Kabel i punjač držite podalje od topline kako biste spriječili oštećenje kućišta ili unutarnjih dijelova.**
- **Ne dopustite da benzin, ulja, proizvodi na bazi nafte i sl., dođu u doticaj s plastičnim dijelovima.** Ovi materijali sadrže kemikalije koje mogu oštetiti, oslabiti ili uništiti plastiku.

- **Ne koristite punjač oštećenog kabela ili utikača jer to može rezultirati kratkom spojem i strujnim udarom.** U slučaju oštećenja popravak ili zamjenu punjača prepustite ovlaštenom servisnom tehničaru servisnog centra proizvođača EGO.
- **Ne rastavljajte punjač.** Ako je punjač potrebno servisirati ili popraviti, odnesite ga ovlaštenom servisnom tehničaru. Neispravno ponovno sastavljanje može rezultirati rizikom od strujnog udara i požara.
- **Prije održavanja ili čišćenja punjača isključite iz električne utičnice kako biste smanjili rizik od strujnog udara.**
- **Kada ga ne koristite, punjač isključite iz električne mreže.** Time će se smanjiti rizik od strujnog udara ili oštećenja punjača ako metalni predmeti upadnu u otvor. To će pomoći i u sprečavanju oštećenja punjača tijekom prenaponskog udara.
- **Opasnost od strujnog udara!** Ne dotičite neizolirani dio izlaznog priključka ili neizolirani baterijski kontakt.
- **Sačuvajte ove upute.** Koristite upute često i koristite ih za upućivanje drugih osoba koje mogu koristiti ovaj alat. Ako ovaj alat nekom posudite, posudite i ove upute radi sprečavanja neispravnog korištenja proizvoda i mogućih ozljeda.

VAŽNE SIGURNOSNE UPUTE

- **Sačuvajte ove upute.** Ovaj priručnik sadrži važne sigurnosne napomene i upute za uporabu brzog punjača 56 V CHX5500E.
- **Prije korištenja punjača baterija u cijelosti pročitajte upute i upozorenja na punjaču baterija, bateriji i proizvodu koji koristi bateriju.**

TEHNIČKI PODACI

Ulazna struja punjača	220-240 V~50 Hz 550 W
Izlazna struja punjača	4/8 A 56 V 
Vrijeme punjenja	Punjenje BAX1500 (1568 Wh): 3,5 h (brzo punjenje) 7 h (normalno punjenje)
Optimalna temperatura punjenja	5°C-40°C
Masa punjača	1,6 kg

OPIS

UPOZNAJTE SVOJ PUNJAČ (Slikama A)

1. Kabel za napajanje
2. Izlazni priključak
3. Gumb
4. LED br. 1 (zeleni)
5. LED br. 2 (zeleni)
6. LED br. 3 (crveni)
7. Ulazni priključak
8. Rupa za zidnu montažu
9. Priključak za zrak za hlađenje

UPOTREBA

NAČIN PUNJENJA BATERIJSKOG MODULA

⚠ UPOZORENJE: Ne koristite punjač na otvorenom ili ne izlažite ga mokrim ili vlažnim uvjetima. Prodiranje vode u punjač povećat će rizik od strujnog udara.

OBAVIJEST: litij-ionski baterijski moduli isporučuju se djelomično napunjeni. Prije prvog korištenja, baterijski modul napunite do kraja.

1. Umetnite zasebni kabel napajanja u ulazni priključak (sl. B).
2. Punjač priključite na električno napajanje (220 - 240 V/50 Hz).
3. Umetnite utikač baterije u punjač kako je prikazano na slikama C i D.
4. Punjač će se povezati s baterijskim modulom kako bi procijenio stanje baterijskog modula.
5. Kada se baterijski modul normalno puni, treptat će zeleni LED indikator br. 2 na punjaču. Ako držite pritisnutim zeleni gumb u trajanju barem 1 sekunde, normalno punjenje prijeći će u način brzog punjenja, a zeleni LED indikator br. 2 će se isključiti dok će zeleni LED indikator br. 1 treptati. Ventilator u punjaču radi kontinuirano radi hlađenja baterijskog modula.
6. Kada se baterijski modul napuni do kraja, LED svjetlosni indikatori punjenja prestaju treptati i nastavljaju stalno svijetliti zeleno. Pričekajte da se zaustavi rashladni ventilator, izvadite baterijski modul iz punjača i odspojite ga od izvora napajanja.
7. Baterijski modul potpuno će se napuniti ako ga ostavite u punjaču, ali se neće prepuniti.

OBAVIJEST:

- Ako LED br. 3 u 1. koraku i dalje ne svijetli kada je punjač priključen u izvor napajanja, pogledajte odjeljak „NEISPRAVNI BATERIJSKI MODUL ILI PUNJAČ“.
- Značajno smanjeno vrijeme rada nakon potpunog punjenja baterijskog modula ukazuje na skori kraj korisnog životnog vijeka baterija i potrebu njihove zamjene.
- Tijekom punjenja punjač se može zagrijati. To je sastavni dio normalnog rada punjača. Postupak punjenja obavljajte u dobro prozračenom prostoru.

FUNKCIJE LED SVJETLOSNIH INDIKATORA PUNJAČA

LED SVJETLOSNI INDIKATOR	BATERIJA S NAPRTNJAČOM		LED SVJETLOSNI INDIKATOR NA PUNJAČU			RADNJA
			LED BR. 1 (ZELENI)	LED BR. 2 (ZELENI)	LED BR. 3 (CRVENI)	
	Neispravan		○	●		Baterijski modul ili punjač je neispravan.
	Previsoka temperatura	Normalno punjenje	○		●	Punjenje će započeti kada se temperatura baterijskog modula vrati na normalnu vrijednost
		Brzo punjenje		○	●	Punjenje će započeti kada se temperatura baterijskog modula vrati na normalnu vrijednost
	Normalno punjenje		○		○	Punjenje strujom 4 A
	Brzo punjenje			○	○	Punjenje strujom 8 A
	Potpuno napunjen	Normalno punjenje	○	●	○	Punjenje je dovršeno
		Brzo punjenje	●	○	○	Punjenje je dovršeno
—	Uspješna samoprovjera		●	●	●	Punjač možete koristiti za punjenje baterije

●: Uključen ○: Isključen : Treptće

PUNJENJE TOPLOG ILI HLADNOG BATERIJSKOG MODULA

Ako je temperatura baterijskog modula izvan normalnog raspona temperature, svjetlosni indikator LED br. 3 svijetliti će crveno. Kada se baterijski modul ohladi na približnu temperaturu od oko 57 °C ili zagrije za više od 3 °C, punjač će automatski započeti postupak punjenja.

NEISPRAVAN BATERIJSKI MODUL ILI PUNJAČ

Kada se punjač priključi u izvor napajanja, punjač će odmah započeti samoprovjeru.

1. Ako se samoprovjerom utvrdi postojanje kvara, LED indikatori neće treptati ili svijetliti.

Obavijest: Umetnite kabel napajanja u punjač, a zatim u izvor napajanja. Ako i tada LED indikatori ukazuju na kvar ili neispravnost, obratite se EGO centru i zatražite popravak punjača.

2. Ako punjač zadovolji tijekom pregleda, 3 LED indikator će tijekom 1 sekunde istovremeno svijetliti, što znači da punjač možete koristiti za punjenje baterijskog modula. Ako punjač za vrijeme punjenja detektira problem, LED svjetlosni indikator br. 3 počeo će treptati crveno ili će se svi LED svjetlosni indikatori isključiti.
 - Ako se registrira kao neispravan, uklonite baterijski modul i opet ga vratite u punjač. Ako LED svjetlosni indikatori i drugi put očitavaju "neispravno" stanje, pokušajte puniti drugi baterijski modul.
 - Ako se drugi baterijski modul puni normalno, zbrinite neispravan baterijski modul (pogledajte upute u priručniku baterijskog modula).
 - Ako se za drugi baterijski modul prikazuje „neispravno“ stanje, ponovno priključite punjač u izvor napajanja i pričekajte da se isključi LED indikator br. 3. Ako 3 LED indikatora ostanu isključena ili LED indikator br. 3 počne treptati crveno, punjač je vjerojatno neispravan.

⚠ UPOZORENJE: Preporučujemo da ne pokušavate punjenje kada se za punjač utvrdi da je neispravan, jer može prouzrokovati električni udar ili teške ozljede.

RUPA ZA ZIDNU MONTAŽU

Punjač ima rupe za vješanje radi praktičnog skladištenja. Postavite vijke u zid međusobno udaljene 76 mm.

ODRŽAVANJE

⚠ UPOZORENJE: Da ne bi došlo do teških tjelesnih ozljeda prilikom čišćenja ili održavanja, baterijski modul izvadite iz punjača.

⚠ UPOZORENJE: Pri servisiranju koristite samo identične zamjenske dijelove proizvođača EGO. Korištenje drugih dijelova može izazvati opasnost ili prouzročiti oštećenje proizvoda.

⚠ UPOZORENJE: Kao metodu čišćenja punjača ne preporučujemo korištenje stlačenog suhog zraka. Ako je čišćenje stlačenim zrakom jedina valjana metoda čišćenja, prilikom čišćenja punjača nosite zatvorene zaštitne naočale ili zaštitne naočale s bočnim štitnicima. Ako radite u prašnjavim uvjetima, nosite i masku za zaštitu od prašine.

⚠ UPOZORENJE: Ako je kabel napajanja oštećen, koristite samo identičan kabel napajanja. Korištenje neodobrenog kabela napajanja može rezultirati rizikom od strujnog udara ili ozljeda.

OPĆE ODRŽAVANJE

Pri čišćenju plastičnih dijelova izbjegavajte koristiti otapala. Većina plastičnih materijala podložna je oštećenju od različitih vrsta komercijalnih otapala i mogu se oštetiti u slučaju njihovog korištenja. Za uklanjanje nečistoće, prašine, ulja, masti i sl. koristite čiste krpe.

⚠ UPOZORENJE: Nemojte dopustiti da kočione tekućine, benzin, proizvodi na bazi nafte, penetrirajuća ulja i sl., dođu u doticaj s plastičnim dijelovima. Kemikalije mogu oštetiti, oslabiti ili uništiti plastiku što može rezultirati teškim tjelesnim ozljedama.

⚠ UPOZORENJE: Pri servisiranju koristite samo identične zamjenske dijelove proizvođača EGO. Korištenje drugih dijelova može izazvati opasnost ili prouzročiti oštećenje proizvoda. Radi osiguranja sigurnosti i pouzdanosti sve popravke treba obavljati kvalificirani servisni tehničar servisnog centra proizvođača EGO.

Zaštita okoliša



Električnu opremu, punjač baterije i baterije/akumulatorske baterije ne odlažite u otpad iz kućanstva!

Prema Europskoj direktivi 2012/19/EU o električnoj i elektroničkoj opremi koja se više ne može koristiti i prema Europskoj direktivi 2006/66/EZ, neispravni ili iskorišteni baterijski moduli/baterije moraju se sakupljati zasebno.

Ako se električni uređaji odlažu na odlagališta otpada ili deponije, opasne tvari mogu iscurjeti u podzemne vode i dospjeti u lanac ishrane, oštećujući tako vaše zdravlje i blagostanje.

OTKLANJANJE SMETNJI

PROBLEM	UZROK	RJEŠENJE
Punjač ne radi. Svjetlosni LED indikator br. 3 trepće crveno ili se svi LED svjetlosni indikatori isključuju	Baterijski modul, adapter ili punjač su neispravni ili je spoj između baterijskog modula, adaptera i punjača loš.	<ul style="list-style-type: none">■ Uklonite i zatim vratite baterijski modul u punjač.■ Pokušajte puniti drugi baterijski modul.■ Odspojite punjač od strujnog napajanja i pričekajte da se crveni LED svjetlosni indikator isključi, a zatim ponovno utaknite utikač u strujnu utičnicu.
	Prečesto isključivanje/ uključivanje punjača	<ul style="list-style-type: none">■ Spojite punjač s izvorom napajanja 30 sekundi nakon isključivanja svih LED indikatora.
Punjač ne radi i LED svjetlosni indikator br. 3 svijetli crveno.	Baterijski modul je previše vruć ili previše hladan.	<ul style="list-style-type: none">■ Pričekajte da baterijski modul dostigne normalnu temperaturu. Punjenje će započeti kada se temperatura baterijskog modula vrati na normalnu vrijednost.

JAMSTVO

JAMSTVENA POLITIKA PROIZVOĐAČA EGO

Cjelovite odredbe i uvjete jamstvene politike proizvođača EGO potražite na internetskoj stranici egopowerplus.com.

სრულად გაეცანით ინსტრუქციას!



გაეცანით მომხმარებლის ინსტრუქციას

შენიშვნა: ეს ინსტრუქციები ასევე ხელმისაწვდომია ალტერნატიულ ფორმატში, მაგალითად ვებგვერდზე.

▲ არსებული რისკი! პიროვნებებმა ისეთი ელექტრული მოწყობილობებით, როგორცაა იმპლანტირებული დეფიბრილატორი, უნდა მიმართონ პირად ექიმს რჩევისთვის ამ პროდუქტის გამოყენებამდე. იმპლანტირებულ დეფიბრილატორთან უშუალო სიახლოვეს ელექტრული მოწყობილობის ოპერირებამ შესაძლოა დეფიბრილატორს ხელი შეუშალოს მუშაობაში ან გათიშოს იგი.

▲ გაფრთხილება: ხელსაწყო უსაფრთხოდ და გამართულად მუშაობისთვის საჭიროა მისი ყველა შეკეთება და ნაწილის შეცვლა შესრულდეს კვალიფიციური სერვისის ტექნიკოსის მიერ.

▲ გაფრთხილება: ხელსაწყო შეიძლება გამოყენებულ იქნას ბავშვების მიერ (8 წლიდან) და შეზღუდული ფიზიკური, სენსორული ან მენტალური შესაძლებლობის მქონე პირების ან ცოდნისა და გამოცდილების არმქონე პირების მიერ, თუ მათ მიიღეს შესაბამისი ზედამხედველობა და ინსტრუქტაჟი ხელსაწყო უსაფრთხოდ გამოყენების თაობაზე მათ უსაფრთხოებაზე პასუხისმგებელი პირისგან და მათ ესმით ხელსაწყო გამოყენებასთან დაკავშირებული საფრთხეები. ბავშვებმა არ უნდა ითამაშონ ხელსაწყოთი. ხელსაწყოს გაწმენდა და სერვისი არ უნდა ჩატარდეს ზედამხედველობის გარეშე მყოფი ბავშვების მიერ.

KA

უსაფრთხოების წესის სიმბოლოები

უსაფრთხოების წესის სიმბოლოების მიზანია მიაქციოთ ყურადღება შესაძლო საფრთხეებს. ყურადღებით გაეცანით და შეისწავლეთ უსაფრთხოების წესის სიმბოლოები და მათი შესაბამისი განმარტებები. უსაფრთხოების წესის სიმბოლოების მინიშნებები თავისთავად არ ანეიტრალებს რაიმე საფრთხის არსებობის რისკს. მათ მიერ მოწოდებული ინსტრუქციები და გაფრთხილებები არ არიან შემთხვევის თავიდან აცილების სწორი პროცედურის შემცველები.

▲ გაფრთხილება: ხელსაწყო გამოყენებამდე დაწვრილებით გაეცანით და შეისწავლეთ ყველა უსაფრთხოების წესის მომხმარებლის ამ ინსტრუქციაში, მათ შორის ყველა უსაფრთხოების წესის სიმბოლო როგორცაა „საშიშროება“, „გაფრთხილება“ და „ყურადღება“. ქვემოთ ჩამოთვლილი ყველა ინსტრუქციის უგულებელყოფამ შესაძლოა გამოიწვიოს ელექტრული შოკი, ხანძარი და/ან მოგაყენოთ სერიოზული პირადი ზიანი.

უსაფრთხოების წესის ინსტრუქცია

ეს გვერდი აჩვენებს და აღწერს იმ უსაფრთხოების წესის სიმბოლოებს, რომლებიც შესაძლოა აღბეჭდილია მოცემულ პროდუქტზე. წაიკითხეთ, შეისწავლეთ და მიყევით ხელსაწყოს ყველა ინსტრუქციას მის აწყობამდე და ჩართვამდე.

	<p>უსაფრთხოების ნიშანი</p>	<p>გამართხილებელი ზომები, რომლებიც მოიცავენ თქვენს უსაფრთხოებას</p>
	<p>გაეცანით მომხმარებლის ინსტრუქციას</p>	<p>დაზიანების რისკის შესამცირებლად მომხმარებელმა უნდა წაიკითხოს ხელსაწყო მუშაობის ინსტრუქცია.</p>

	შენობაში გამოყენებისთვის	გამოიყენეთ ეს ხელსაწყო მხოლოდ შენობაში
	II კლასის ნაწარმი	ორმაგად იზოლირებული კონსტრუქცია
	ელექტრული მცველი	დროის დაყოვნების მქონე მინიატურული ელექტრული მცველი
	CE	ხელსაწყო შეესაბამება ევროკავშირის მიერ წამოყენებულ რეგულაციებს.
	გსგო	ეს პროდუქტი შეესაბამება დიდი ბრიტანეთის მოქმედ კანონმდებლობას.
	WEEE	ელექტრული ხელსაწყოების უბრალოდ არ უნდა მოხდეს საყოფაცხოვრებო ნარჩენებათა ერთად. წაიღეთ ხელსაწყო ავტორიზირებულ ნარჩენების გადამამუშავებელთან.
V	ვოლტი	ძაბვა
A	ამპერი	დენი
Hz	ჰერცი	სიხშირე (ბრუნთა რიცხვი წამში)
W	ვატი	სიმძლავრე
min	წუთი	დრო
	ცვლადი დენი	დენის ტიპი
	მუდმივი დენი	დენის ტიპი ან სახე

▲ გაფრთხილება: დაწვრილებით გაეცანით და შეისწავლეთ ყველა ინსტრუქცია. ქვემოთ ჩამოთვლილი ყველა ინსტრუქციის უგულვებელყოფამ შესაძლოა გამოიწვიოს ელექტრული შოკი, ხანძარი და/ან მოგაყენოთ სერიოზული პირადი ზიანი.

სამუშაო არეს უსაფრთხოება

- დაიცავით სამუშაო არის სისუფთავე და იკონიეთ კარგი განათება. ჩახერგილი ან ბნელი სამუშაო არე იწვევს ინციდენტებს.
- არ ამუშაოთ EGO-ს დამტენი მოწყობილობა გარემოში ფეთქებადი საშუალებების არსებობისას, როგორცაა აალებადი სითხეები, აირები ან მტვერი. დამტენმა მოწყობილობამ შესაძლოა

წარმოქმნას ნაპერწკალი, რომელმაც შეიძლება აანთოს მტვერი ან აირი.

ელექტრული უსაფრთხოება

- არ დატოვოთ დამტენი ხელსაწყო წვიმაში ან სველ ადგილას. დამტენში შესული წყალი ზრდის ელექტრული შოკის მიღების რისკს.
- არ დააზიანოთ დენის სადენი. არასოდეს გამოიყენოთ სადენი დამტენი ხელსაწყოთა სატარებლად, მოსაქაჩად ან შეტეფსელიდან ამოსართველად. დაიცავით დენის სადენი სიმბურვალისან, ზეთისგან, მჭრელი და მოძრავი საგნებისგან. დაზიანებული ან გადახლართული დენის სადენი ზრდის ელექტრული შოკის რისკს.
- EGO-ს დამტენი ხელსაწყო მუხტავს EGO-ს ლითიუმ-იონის ქვევით ჩამოთვლილ აკუმულატორებს:

დამტენი	აკუმულატორი
CHX5500E	BAX1500

ტექნიკური სერვისი

- დამტენი ხელსაწყოთა ტექნიკური სერვისი შეასრულებინეთ კვალიფიციურ პირს მხოლოდ იდენტური სათადარიგო ნაწილების გამოყენებით. მსგავსი პროცედურა უზრუნველყოფს დამტენი ხელსაწყოთა უსაფრთხოდ მუშაობას.
- დამტენის ტექნიკური სერვისისას გამოიყენეთ მხოლოდ იდენტური სათადარიგო ნაწილები. მისდით მომხმარებლის ინსტრუქციის სერვისის სექციაში არსებულ მითითებებს. განსხვავებული ნაწილების გამოყენებამ და სერვისის ინსტრუქციების მიუდევნელობამ შესაძლოა წარმოქმნას ელექტრული შოკისა ან ფიზიკური ზიანის მიღების რისკი.

KA

დამტენის მოხმარების უსაფრთხოების წესები

ყურადღება: ხელსაწყო არ არის განკუთვნილი იმისათვის რომ, შეზღუდული ფიზიკური, სენსორული ან მენტალური შესაძლებლობის მქონე პირებმა (ბავშვების ჩათვლით), ან ცოდნისა და გამოცდილების არმქონე პირებმა ისარგებლონ მისით, გარდა იმ შემთხვევებისა როცა მათ მიიღეს შესაბამისი ზედამხედველობა და ინსტრუქტაჟი ხელსაწყოს გამოყენების თაობაზე მათ უსაფრთხოებაზე პასუხისმგებელი პირისგან.

დამტენი ხელსაწყოს გამოყენებამდე,

დაწერილებით გაეცანით ყველა მითითებას და უსაფრთხოების სიმბოლოს ამ მოხმარებლის ინსტრუქციაში, დამტენ ხელსაწყოზე, აკუმულატორზე და შესაბამის ელექტრულ ხელსაწყოზე, რათა არ მოხდეს ამ ხელსაწყოების არასათანადო მოპყრობა და თავიდან აიცილოთ შესაძლო თქვენი ან მათი დაზიანება.

- არ გამოიყენოთ დამტენი ხელსაწყო გარეთ ან დატოვოთ წვიმაში ან სველ ადგილას. დამტენში შესული წყალი ზრდის ელექტრული შოკის მიღების რისკს.
- დარწმუნდით რომ სადენი ისეა მოთავსებული, რომ მას არ დააბიჯებენ, არ წამოკრავენ ფეხს, არ ჩაითრევენ ზასრი ან მოძრავი ნაწილები ან სხვაგვარად არმიადგება ზიანი. ეს შეამცირებს ინციდენტების რიცხვს, რომელმაც შესაძლოა მოგიტანოთ ზიანი ან დააზიანოს სადენი, რამაც თავის მხრივ შეიძლება გამოიწვიოს ელექტრული შოკი.
- დაიცავით დენის სადენი და დამტენი ხელსაწყო სიმზურვალისან, რათა თავიდან აიცილოთ ხელსაწყოს ბუდის ან მისი ნაწილების დაზიანება.

- არ მისცეთ ბენზინს, ნავთობის ბაზაზე დამზადებულ პროდუქტებს ან სხვა ძლიერი გამხსნელებს მოვიდნენ პლასტმასის ნაწილებთან კონტაქტში. ეს ნივთიერებები შეიცავენ ქიმიურ ნაერთებს, რომელთაც შეუძლია დააზიანონ, გაცვიტონ და დაშალონ პლასტმასი.
- არ გამოიყენოთ დამტენი ხელსაწყო დაზიანებული სადენით ან დენის ჩანგალით, ამან შესაძლოა გამოიწვიოს მოკლე ჩართვა ან ელექტრული შოკი. დაზიანების შემთხვევაში შეაკეთებინეთ დამტენი ხელსაწყო ავტორიზირებულ სერვისის ტექნიკოსს EGO-ს სერვის ცენტრში.
- არ დაშალოთ დამტენი ხელსაწყო. მიუტანეთ ის ავტორიზირებულ სერვისის ტექნიკოსს, როდესაც დამტენი საჭიროებს სერვისს ან შეკეთებას. არასწორად აწყობილმა დამტენმა ხელსაწყომ შესაძლოა წარმოშვას ელექტრული შოკის ან ხანძრის რისკი.
- გამოაერთეთ დამტენი ხელსაწყო შტეფსელიდან სერვისის ან წმენდის პროცესის დაწყებამდე, რათა შეამციროთ ელექტრული შოკის რისკი.
- გამოაერთეთ დამტენი ხელსაწყო ქსელიდან, როდესაც მას არ იყენებთ. ეს შეამცირებს ელექტრული შოკის ან დამტენის დაზიანების რისკს იმ შემთხვევაში, თუ ლითონის საგნები ჩავარდა მის ღია ადგილებში. ეს ასევე დაგეხმარებათ თავიდან აიცილოთ დამტენის დაზიანება ძაბვის მოვარდნის შემთხვევაში.
- ელექტრული შოკის რისკი. არ შეეხოთ დენის გამოსავალის არაიზოლირებულ ნაწილს ან აკუმულატორის არაიზოლირებულ კონტაქტებს.

- შეინახეთ ეს მომხმარებლის ინსტრუქცია. გამოიყენეთ მომხმარებლის ინსტრუქცია და მიუთითეთ სხვებს, ვისაც სურს ხელსაწყო გამოიყენება, გაეცნონ მას. თუ ათხოვებთ ხელსაწყო სხვა პირს, ასევე ათხოვთ მას ეს მომხმარებლის ინსტრუქცია, რათა აღკვეთოთ ხელსაწყო არასათანადო გამოყენება და შესაძლო ზიანი.

მნიშვნელოვანი უსაფრთხოების

ინსტრუქციები

- შეინახეთ ეს მომხმარებლის ინსტრუქცია. ეს მომხმარებლის ინსტრუქცია მოიცავს მნიშვნელოვან უსაფრთხოების და ექსპლუატაციის მითითებებს EGO 56 ვოლტიანი CHX5500E დამტენი ხელსაწყოთვის.
- დამტენი ხელსაწყო გამოიყენებამდე, დაწვრილებით გაეცანით ყველა მითითებას და უსაფრთხოების სიმბოლოს დამტენ ხელსაწყოზე, აკუმულატორზე და შესაბამის აკუმულატორზე მომუშავე ელექტრულ ხელსაწყოზე.

სპეციფიკაცია

დენი შესავალზე	220-240 ვ ~50 ჰჰ 550 ვტ
დენი გამოსავალზე	4/8 ა 56 ვ
დამუხტვის დრო	BAX1500 დამუხტვა (1568 ვტ.სთ): 3.5 სთ (სწრაფი დამუხტვა) 7 სთ (ნორმალური დამუხტვა)
ოპტიმალური დამუხტვის ტემპერატურა	5°C-40°C
დამტენი ხელსაწყოს წონა	1.6 კგ

აღწერა

შეისწავლეთ თქვენი დამტენი ხელსაწყო (ნახ. A)

1. კვების სადენი
2. გამოტანის ინტერფეისი
3. ღილაკი
4. შუქდიოდი #1 (მწვანე)
5. შუქდიოდი #2 (მწვანე)
6. შუქდიოდი #3 (წითელი)
7. შეტანის ინტერფეისი
8. კედელზე სამაგრი სიდრუე
9. გასაგრილებელი საპერო

ექსპლუატაცია

როგორ დაგტენოთ აკუმულატორი

⚠ გაფრთხილება: არ გამოიყენოთ დამტენი ხელსაწყო გარეთ ან დატოვოთ წვიმაში ან სველ ადგილას. დამტენში შესული წყალი ზრდის ელექტრული შოკის მიღების რისკს.

შენიშვნა: მწარმოებლის მიერ მოწოდებული ლითიუმ-იონის აკუმულატორები ნაწილობრივ დატენილია. სრულად დატენთ აკუმულატორი პირველ ჯერზე სარგებლობამდე.

1. ცალკე არსებული სადენი შეართეთ ხელსაწყოს შეტანის ინტერფეისში (ნახ. B).
2. მიუერთეთ დამტენი მოწყობილობა კვებას (220-240 ვ/50 ჰჰ).
3. ჩასვით აკუმულატორი ჩანგალი დამტენ მოწყობილობაში, როგორც ნაჩვენებია ნახ. C და D.
4. დამტენი მოწყობილობა დაუკავშირდება აკუმულატორს და განსაზღვრავს მის მდგომარეობას.
5. როდესაც აკუმულატორი იტენება ნორმალურ რეჟიმში, მწვანე შუქდიოდი #2 იწყებს ციმციმს. თუ მწვანე ღილაკს 1 წამის განმავლობაშიც კი აუშვებლად

KA

დაჭერთ, დამუხტვის ნორმალური რეჟიმი შეიცვლება სწრაფით და მწვანე შუქდიოდი #2 ჩაქრება, ხოლო მწვანე შუქდიოდი #1 დაიწყებს ციმციმს. დამტენი მოწყობილობის ვენტილატორი მუშაობს განუწყვეტლივ, რათა გააგრილოს ხელსაწყო.

- როდესაც აკუმულატორი ბოლომდე დაიტენება, დამუხტვის რეჟიმის აღმნიშვნელი მწვანე შუქდიოდები შეწყვიტავენ ციმციმს და აინთებენ მუდმივი ნათებით. მოიცადეთ სანამ გამაგრებელი ვენტილატორი არ გაჩერდება, მოხსენით აკუმულატორი დამტენი მოწყობილობიდან და გამორთეთ დამტენი წრედიდან.
- დამტენ მოწყობილობაში დარჩენილი აკუმულატორი სრულად დაიტენება გადამუხტვის გარეშე.

შენიშვნა:

- როდესაც დამტენი მოწყობილობა შეერთებულია დენის წყაროში როგორც ნაჩვენებია პირველ ნაბიჯზე და 3 შუქდიოდი ჩამქრალ მდგომარეობაშია, მაშინ იხილეთ სექცია „დეფექტური აკუმულატორი ან დამტენი“.
- აკუმულატორის სრული დამუხტვის შემდეგ ხელსაწყოს მუშაობის განსაკუთრებულად შემცირებული პერიოდი აღნიშნავს იმ ფაქტს, რომ აკუმულატორმა თითქმის ამოწურა საკუთარი ტექნიკური ვადა და საჭიროებს შეცვლას.
- დამტენი ხელსაწყო შესაძლოა გათბეს დამუხტვის პროცესში. ეს დამტენი ხელსაწყოს მუშაობის ნორმალური რეჟიმიია. დამუხტეთ აკუმულატორი კარგად განიავებად არემო.

დამტენზე დატანილი შუქდიოდების ფუნქციები

შუქდიოდური ინდიკატორი	ზურგჩანთა-აკუმულატორი		დამტენზე არსებული შუქდიოდი			მოქმედება
			შუქდიოდი #1 (მწვანე)	შუქდიოდი #2 (მწვანე)	შუქდიოდი #3 (წითელი)	
	დეფექტურია		○	●	☀	აკუმულატორი ან დამტენი დეფექტურია.
	ნორმალური დამუხტვა		○	☀	●	დამუხტვა დაიწყება, როცა აკუმულატორი დაუბრუნდება ნორმალურ ტემპერატურას
	სწრაფი დამუხტვა		☀	○	●	დამუხტვა დაიწყება, როცა აკუმულატორი დაუბრუნდება ნორმალურ ტემპერატურას

KA

შუქდიოდური ინდიკატორი	ზურგჩანთა-აკუმულატორი		დამტენზე არსებული შუქდიოდი			მოქმედება
			შუქდიოდი #1 (მწვანე)	შუქდიოდი #2 (მწვანე)	შუქდიოდი #3 (წითელი)	
	ნორმალური დამუხტვა		○	☀	○	4ა მუხტვის რეჟიმი
	სწრაფი დამუხტვა		☀	○	○	8ა მუხტვის რეჟიმი
	სრულად დამუხტული	ნორმალური დამუხტვა	○	●	○	დამუხტვა დასრულებულია
		სწრაფი დამუხტვა	●	○	○	დამუხტვა დასრულებულია
—	წარმატებული თვით-შემოწმება		●	●	●	დამტენი მოწყობილობის გამოყენება აკუმულატორის დასამუხტად დასაშვებია.

● ჩართული ○ გათიშული ☀ ციმციმი

ცივი ან ცხელი აკუმულატორის დამუხტვა

თუ აკუმულატორის ტემპერატურა ნორმალურ რეჟიმს გაცდა, შუქდიოდი #3 წითლად დაიწყებს ნათებას. როდესაც აკუმულატორი გაგრილდება 57°C-ზე ქვევით ან გათბება 3°C-ზე მეტად, დამტენი მოწყობილობა ავტომატურად დაიწყებს დამუხტვის.

დეფექტური აკუმულატორი ან დამტენი

როდესაც დამტენი ხელსაწყო მიურთდება დენის წყაროს, იგი მყისიერად დაიწყებს თვით-შემოწმების პროცესს.

1. თუ თვით-შემოწმების პროცესი დასრულდება მარცხით, ყველა შუქდიოდი არ აციმციმდება ან ანთება.

შენიშვნა: სცადეთ ხელახლა შეუერთოთ კვების სადენი დამტენ ხელსაწყოს და შემდეგ ქსელს ასეთი თანამიმდევრობით. თუ შუქდიოდები კვლავაც აჩვენებენ „მარცხს“, მიმართეთ EGO-ს ცენტრს დამტენი ხელსაწყოს შესაკეთებლად.

2. თუ დამტენი ხელსაწყო გაივლის თვით-შემოწმების პროცესს, 3 შუქდიოდი აინთება 1წმ პერიოდით ერთდროულად, რაც მიანიშნებს რომ დამტენის გამოყენება აკუმულატორის დასამუხტად დასაშვებია. დამუხტვის დროს თუ დამტენმა მოწყობილობამ შეამჩნია დეფექტი, შუქდიოდი #3 დაიწყებს წითლად ციმციმს ან ყველა შუქდიოდი გაითიშება.

- მოხსენით და კვლავ შეუერთეთ აკუმულატორის სადენი დამტენ ხელსაწყოს, თუ იგი არეგისტრირდება მას როგორც დეფექტურს. თუ შუქდიოდები კვლავ აღნიშნავენ აკუმულატორს „დეფექტურად“ მეორე ჯერზეც, სცადეთ სხვა აკუმულატორის დატენვა.
- თუ სხვა აკუმულატორი ნორმალურად იმუხტება, მაშინ მოახდინეთ დეფექტური აკუმულატორის უტილიზირება (იხილეთ შესაბამისი მითითებები აკუმულატორის მომხმარებლის ინსტრუქციაში).

KA

■ **თუ სხვა აკუმულატორი ადიქვა „დეფექტურად“, ხელახლა მიუერთეთ დამტენი მოწყობილობა ქსელს, სანამ წითელი შუქდიოდი #3 არ ჩაქრება. თუ 3-ვე შუქდიოდი არის გამორთული ან შუქდიოდი #3 წითლად ციმციმებს, შესაძლოა დამტენი მოწყობილობა იყოს დეფექტური.**

▲ **გაფრთხილება:** არ არის რეკომენდირებული დამუხტვის გაგრძელება თუ დამტენი მოწყობილობა დეფექტურია, რადგან ამან შესაძლოა გამოიწვიოს ელექტრული შოკი ან მოგაყენოთ სერიოზული ზიანი.

კედელზე სამაგრი სიღრუეები

დამტენ მოწყობილობას გააჩნია სმაგრი სიღრუეები მოსახერხებელი შენახვისთვის. დამონტაჟეთ კედელში ორი ხრახნი 76მმ დაშორებით. გამოიყენეთ სათანადო ხრახნები, რომლებიც გაუძლებს დამტენი მოწყობილობის კომბინირებულ წონას (დაახლოებით 1.6 კგ).

ეესპლუატაცია

▲ **გაფრთხილება:** სერიოზული პერსონალური ზიანისგან თავის არიდების მიზნით ყოველთვის მოხსენით აკუმულატორი დამტენ ხელსაწყოს როდესაც წმინდავთ მას ან უტარებთ რაიმე ტიპის სერვისს.

▲ **გაფრთხილება:** ტექნიკური სერვისისას გამოიყენეთ მხოლოდ EGO-ს იდენტური სათადარიგო ნაწილები. სხვა ნებისმიერი ნაწილის გამოყენებამ შესაძლოა შექმნას საფრთხე ან გამოიწვიოს ხელსაწყოს დაზიანება.

▲ **გაფრთხილება:** დამტენი მოწყობილობის გაწმენდის რეკომენდირებული მეთოდი არის მშრალი კომპრესირებული ჰაერის ჰავლის გამოყენება. რადგან კომპრესირებული ჰაერის ჰავლის გამოყენება არის ერთადერთი წმენდის მეთოდი, ყოველთვის მოირგეთ უსაფრთხოების თვალსაფარი ან გვერდითა ეკრანების მქონე უსაფრთხოების სათვალე დამტენი ხელსაწყოს გასუფთავებისას. გაიკეთეთ მტვრის საწინააღმდეგო ნიღაბი თუ მუშაობისას წარმოიქმნება მტვერი.

▲ **გაფრთხილება:** თუ ქსელის სადენი დაზიანდა, შეეცალეთ მხოლოდ იდენტურით. განსხვავებული ქსელის სადენის გამოყენებამ შესაძლოა წარმოქმნას ელექტრული შოკის ან ფიზიკური ზიანის მიღების რისკი.

ზოგადი მოვლის წესი

მოერიდეთ გამხსნელების გამოყენებას ხელსაწყოს პლასტმასის ნაწილების გაწმენდისას. უმეტესობა პლასტმასები ადვილად ზიანდება მათზე გამხსნელების გამოყენების შედეგად. გამოიყენეთ სუფთა ტილო ტალახის, მტვრის, ზეთის, ცხიმის და სხვ. მოსაცილებლად.

▲ **გაფრთხილება:** არცერთ შემთხვევაში არ მისცეთ სატორმუხო სითხეს, ბენზინს, ნავთობის ბაზაზე დამზადებულ პროდუქტებს ან სხვა ძლიერი გამხსნელებს მოვიდნენ პლასტმასის ნაწილებთან კონტაქტში. ქიმიურმა ნაერთებმა შესაძლოა დააზიანოს, გაცვითოს და დაშალოს პლასტმასი, რამაც შეიძლება მოგაყენოთ სერიოზული პირადი ზიანი.

⚠ გაფრთხილება: ტექნიკური სერვისისას გამოიყენეთ მხოლოდ EGO-ს იდენტური სათადარიგო ნაწილები. სხვა ნებისმიერი ნაწილის გამოყენებამ შესაძლოა შექმნას საფრთხე ან გამოიწვიოს ხელსაწყო დაზიანება. ხელსაწყო უსაფრთხოდ და გამართულად მუშაობისთვის საჭიროა მისი ყველა შეკეთება და ნაწილის შეცვლა შესრულდეს კვალიფიციური სერვისის ტექნიკოსის ან EGO-ს სერვისის ცენტრის მიერ.

გარემოს დაცვა



არ მოახდინოთ ელექტრული მოწყობილობის, აკუმულატორის დამტენის და მისი ბატარეების მოთავსება საყოფაცხოვრებო ნაგავში!

ევროკავშირის 2012/19/EU რეგულაციის მიხედვით, ელექტრული და ელექტრონული ხელსაწყოები, რომლებიც აღარ გამოიყენება, ასევე 2006/66/EC რეგულაციის მიხედვით, დეფექტური ან გამოყენებული აკუმულატორები/ბატარეები, უნდა შეგროვდეს ცალკეულად.

ელექტრული მოწყობილობების ნაგავსაყრელზე მოთავსებისას, სახიფათო ნარჩენები შესაძლოა გაიჟონოს გრუნტის წყლებში და მოხვდეს საკვებ ჯაჭვში, რამაც შესაძლოა დააზიანოს თქვენი ჯანმრთელობა და კეთილდღეობა.

KA



გაუმართაობის დიაგნოსტიკა

პრობლემა	მიზეზი	გადაჭრის გზა
დამტენი არ მუშაობს. შუქდიოდი #3 წითლად ციმციმებს ან 3-ვე შუქდიოდი არის გამორთული.	აკუმულატორი ან დამტენი მოწყობილობა არის დეფექტური ან აკუმულატორსა და დამტენს შორის ცუდი ელექტრული კონტაქტია.	<ul style="list-style-type: none"> შეეცადეთ მოხსნათ და კვლავ შეუერთოთ აკუმულატორი დამტენ ხელსაწყოს. შეეცადეთ დამუხტოთ სხვა აკუმულატორი. გამოაერთეთ დამტენი ხელსაწყო შტეფსელიდან და დაელოდეთ სანამ წითელი შუქდიოდი არ ჩაქრება, შემდეგ ხელახლა მიუერთეთ დამტენი ქსელს.
	დამტენი ძალიან ხშირად ირთვებოდა.	<ul style="list-style-type: none"> დამტენი ძალიან ხშირად ირთვებოდა.
დამტენი არ მუშაობს და შუქდიოდი #3 წითლად ანათებს.	აკუმულატორი ძალიან ცხელი ან ცივია.	<ul style="list-style-type: none"> მიეცით საშუალება აკუმულატორის ტემპერატურას დაუბრუნდეს ნორმალურ მნიშვნელობას. დამუხტვა დაიწყება, როცა აკუმულატორი დაუბრუნდება ნორმალურ ტემპერატურას.

გარანტია

EGO-ს გარანტიის მომსახურების წესი

გთხოვთ ეწვიოთ ვებ-გვერდს egopowerplus.com, რათა მიიღოთ EGO-ს საგარანტიო მომსახურების სრული დადგენილებები და პირობები.

KA

168

56 ვოლტანი დამტენი ხელსაწყო — CHX5500E

PROČITAJTE SVA UPUTSTVA!



PROČITAJTE PRIRUČNIK ZA RUKOVAOCA

Napomena: Ovo uputstvo će biti dostupno i u alternativnom formatu, npr. na veb-lokaciji.

⚠ Rezidualni rizik! Osobe sa elektronskim uređajima, poput pejsmejkera, treba da konsultuju svog lekara (svoje lekare) pre upotrebe ovog proizvoda. Rukovanje električnom opremom u neposrednoj blizini srčanog pejsmejkera moglo bi da izazove smetnje ili otkazivanje pejsmejkera.

⚠ UPOZORENJE: Da bi se osigurala sigurnost i pouzdanost, sve popravke treba da radi kvalifikovani servisni tehničar.

⚠ UPOZORENJE: Ovaj aparat mogu da koriste deca uzrasta 8 godina i starija i osobe sa smanjenim fizičkim, senzornim ili mentalnim sposobnostima ili sa nedostatkom iskustva i znanja, ako su pod nadzorom ili ako su dobili uputstva za upotrebu aparata na bezbedan način i ako shvataju moguće opasnosti. Deca se ne smeju igrati aparatom. Čišćenje i korisničko održavanje ne smeju da rade deca bez nadzora.

SIGURNOSNI SIMBOLI

Svrha sigurnosnih simbola je da vam skrenu pažnju na moguće opasnosti. Sigurnosni simboli i objašnjenja uz njih zaslužuju vašu pognu pažnju i shvatanje. Simboli upozorenja, sami po sebi, ne eliminišu nikakve opasnosti. Uputstva i upozorenja koja oni daju nisu zamena za odgovarajuće mere sprečavanja nezgoda.

⚠ UPOZORENJE: Obavezno pročitajte i shvatite sva sigurnosna uputstva u ovom Priručniku za rukovaoca, obuhvatajući i sve simbole sigurnosnih upozorenja poput „OPASNOST“, „UPOZORENJE“ i „OPREZ“ pre korišćenja ovog alata. Nepridržavanje svih dole navedenih uputstava može da dovede do strujnog udara, požara i/ili ozbiljne telesne povrede.

SIGURNOSNA UPUTSTVA

Ova stranica prikazuje i opisuje sigurnosne simbole koji mogu da se pojave na ovom proizvodu. Pročitajte, shvatite i sledite sva uputstva na mašini pre no što pokušate da je sklopite i da rukujete njom.



Sigurnosno upozorenje

Mere opreza koje se tiču vaše sigurnosti

	Pročitajte Priručnik za rukovaoca	Da bi smanjio rizik od povreda, korisnik mora pročitati priručnik za rukovaoca.
	Upotreba u zatvorenom prostoru	Ovaj uređaj koristite samo u zatvorenom prostoru
	Konstrukcija klase II	Dvostruko izolovana konstrukcija
T6,3A 	Osigurači	Minijaturni osigurač sa kašnjenjem
	CE	Ovaj proizvod je u skladu sa primenjivim EC direktivama.
	UKCA	Ovaj proizvod je u skladu sa primenjivim zakonima u UK.
	WEEE	Otpadne električne proizvode ne bi trebalo odlagati zajedno sa otpadom iz domaćinstva. Odnosite ih u ovlašćeni pogon za reciklažu.
V	Volt	Voltaža
A	Amperi	Struja
Hz	Herc	Frekvencija (ciklusi u sekundi)
W	Vat	Snaga
min	Minuti	Vreme
	Naizmenična struja	Tip struje
	Jednosmerna struja	Tip ili karakteristika struje

⚠ UPOZORENJE: Pročitajte i shvatite sva uputstva. Nepridržavanje svih dole navedenih uputstava može da dovede do strujnog udara, požara i/ili ozbiljne telesne povrede.

BEZBEDNOST NA RADNOM PODRUČJU

- **Održavajte radno područje čistim i dobro osvetljenim.** Na pretrpanim ili mračnim područjima su veće šanse da dođe do nezgoda.
- **Ne koristite EGO punjač u eksplozivnim okruženjima, kao na primer u prisustvu zapaljivih tečnosti, gasova ili prašine.** Punjač bi mogao da stvori varnicu koja može da zapali prašinu ili isparenja.

ELEKTRIČNA BEZBEDNOST

- **Ne izlažite punjač kiši ili mokrim uslovima.** Voda koja uđe u punjač povećava rizik od strujnog udara.
- **Nemojte zloupotrebljavati kabl. Nikada ne koristite kabl za nošenje, vučenje ili isključivanje punjača iz utičnice.** Čuvajte kabl podalje od toplote, ulja, oštrih ivica ili pokretnih delova. Oštećeni ili upetljan kabl povećava rizik od strujnog udara.

SR

- EGO punjač može da puni EGO litijum-jonske baterije navedene ispod:

PUNJAČ	BATERIJE
CHX5500E	BAX1500

SERVIS

- **Odnosite punjač na servisiranje kod kvalifikovanog serviseru koji će koristiti samo identične rezervne delove.** To će osigurati da bezbednost punjača bude održana.
- **Tokom servisiranja punjača, koristite samo identične rezervne delove. Pratite uputstva u odeljku Održavanje u ovom priručniku.** Upotreba neovlašćenih delova ili nepridržavanje uputstava za održavanje mogu da dovedu do rizika od strujnog udara ili povrede.

SIGURNOSNA PRAVILA ZA PUNJAČ

⚠ OPREZ: Ovaj uređaj nije predviđen da ga koriste osobe (obuhvatajući i decu) sa smanjenim fizičkim, senzornim ili mentalnim sposobnostima ili sa nedostatkom iskustva i znanja, osim ako ih ne nadzire ili upućuje u upotrebu uređaja osoba odgovorna za njihovu bezbednost.

- **Pre korišćenja punjača baterija, pročitajte** sva uputstva i napomene upozorenja u ovom priručniku i na punjaču baterija, na bateriji i na proizvodu da biste sprečili zloupotrebu proizvoda i eventualne povrede ili štetu.
- **Ne rukujte punjačem, obuhvatajući i utikač i terminale punjača, mokrim rukama.**
- **Vodite računa da kabl bude smešten tako da se po njemu ne gazi, da se preko njega ne sapliče, da ne dolazi u kontakt sa oštrim ivicama ili pokretnim delovima ili da na drugi način ne bude izložen oštećenjima ili naprezanju.** To će smanjiti rizik od nehotičnih padova, koji bi mogli da izazovu ozlede i oštećenja kabela, što bi moglo onda da dovede do strujnog udara.
- **Držite kabl i punjač dalje od toplote da biste sprečili oštećenja kućišta ili unutrašnjih delova.**
- **Nemojte dozvoliti da benzin, ulja, proizvodi na bazi benzina itd. dođu u kontakt sa plastičnim delovima.** Ti materijali sadrže hemikalije koje mogu da oštete, oslabe ili unište plastiku.
- **Ne rukujte punjačem sa oštećenim kablom ili utikačem, koji bi mogao da izazove kratak spoj i strujni udar.** Ako je punjač oštećen, popravite ga ili zamenite kod ovlašćenog servisnog tehničara u EGO servisnom centru.
- **Ne rasklapajte punjač. Odnosite ga ovlašćenom servisnom tehničaru kad bude potrebno servisiranje ili**

popravka. Nepravilno sklapanje može da dovede do rizika od strujnog udara ili požara.

- **Izvučite punjač iz električne utičnice pre no što pokušate bilo kakvo održavanje ili čišćenje, da biste smanjili rizik od strujnog udara.**
- **Odvajite punjač od izvora napajanja kad nije u upotrebi.** To će smanjiti rizik od strujnog udara ili oštećenja punjača ako metalni predmeti upadnu u otvor. To će pomoći i da se spreči oštećenje punjača tokom skoka napona.
- **Rizik od strujnog udara.** Ne dodirujte neizolovani deo izlaznog konektora ili neizolovani terminal baterije.
- **Sačuvajte ovo uputstvo.** Često ga pregledajte i koristite ga da uputite druge koji mogu da koriste ovaj alat. Ako pozajmite ovaj alat nekom drugom, pozajmite i ovo uputstvo da bi se sprečila pogrešna upotreba proizvoda i eventualna povreda.

VAŽNA SIGURNOSNA UPUTSTVA

- **Sačuvajte ovo uputstvo.** Ovaj priručnik sadrži važna sigurnosna i radna uputstva za EGO 56 V punjač CHX5500E.
- **Pre korišćenja punjača baterija, pročitajte sva uputstva i napomene upozorenja na punjaču baterija, na bateriji i proizvodu koji koristi bateriju.**

SPECIFIKACIJE

Ulaz punjača	220-240 V ~, 50 Hz, 550 W
Izlaz punjača	4/8 A 56 V 
Vreme punjenja	Punjenje BAX1500 (1568 Wh): 3,5 h (brzo punjenje) 7 h (normalno punjenje)
Optimalna temperatura punjenja	5°C–40°C
Težina punjača	1,6 kg

OPIS

UPOZNAJTE SVOJ PUNJAČ (slika A)

1. Kabl napajanja
2. Izlazni interfejs
3. Dugme
4. 1# LED (zeleni)
5. 2# LED (zeleni)
6. 3# LED (crveni)
7. Ulazni interfejs
8. Rupa za montiranje na zid
9. Otvor za vazdušno hlađenje

UKOVARJE

KAKO PUNITI BATERIJU

▲ UPOZORENJE: Ne koristite punjač na otvorenom prostoru i ne izlažite ga mokrim ili vlažnim uslovima. Voda koja uđe u punjač povećava rizik od strujnog udara.

NAPOMENA: Litijum-jonske baterije se isporučuju delimično napunjene. Pre prve upotrebe, potpuno napunite bateriju.

1. Umetnite zasebni kabl napajanja u ulazni interfejs (slika B).
2. Spojite punjač na izvor napajanja (220-240 V / 50 Hz).
3. Umetnite utikač baterije u punjač kako je prikazano na slici C i D.
4. Punjač će komunicirati sa baterijom da bi procenio stanje baterije.
5. Kad se baterija puni normalno, zeleni 2# LED na punjaču će bljeskati. Ako držite zeleno dugme pritisnutim tokom najmanje 1 sekunde, normalno punjenje će se pretvoriti u brzo punjenje a zeleni 2#

LED će se isključiti dok će zeleni 1# LED bljeskati. Ventilator u punjaču radi neprekidno da bi hladio bateriju.

6. Kad baterija bude potpuno napunjena, LED indikatori punjenja će prestati da trepere i neprekidno će svetleti zeleno. Sačekajte da se ventilator za hlađenje zaustavi, uklonite bateriju sa punjača i odvojite punjač od izvora napajanja.
7. Baterija će se potpuno napuniti ako ostane na punjaču ali neće se previše napuniti.

NAPOMENA:

Dok je punjač spojen na izvor napajanja u koraku 1, ako 3 LED lampice i dalje ostaju neosvetljene, pogledajte odeljak „**DEFEKтна BATERIJA ILI PUNJAČ**“.

- Značajno smanjeno vreme rada nakon što je baterija potpuno napunjena ukazuje da je baterija blizu kraja svog radnog veka i da se mora zameniti.
- Punjač se može zagrevati tokom punjenja. To je deo normalnog rada punjača. Puniti na dobro provetrenom mestu.

LED FUNKCIJE PUNJAČA

LED INDIKATOR	RANAC BATERIJA		LED LAMPICE NA PUNJAČU			AKCIJA
			1# LED (ZELENO)	2# LED (ZELENO)	3# LED (ZELENO)	
	Defektno		○	●		Baterija ili punjač su defektni
	Previsoka temperatura	Normalno punjenje	○		●	Punjenje će početi kad se baterija vrati na normalnu temperaturu
		Brzo punjenje		○	●	Punjenje će početi kad se baterija vrati na normalnu temperaturu
	Normalno punjenje		○		○	Punjenje na 4 A
	Brzo punjenje			○	○	Punjenje na 8 A
	Potpuno napunjeno	Normalno punjenje	○	●	○	Punjenje je završeno
		Brzo punjenje	●	○	○	Punjenje je završeno
—	Uspešna samo-inspekcija		●	●	●	Punjač bi mogao da se koristi za punjenje baterije

●: Uključeno ○: Isključeno : Bljeska

SR

PUNJENJE VRUĆE ILI HLADNE BATERIJE

Ako je baterija van normalnog temperaturnog opsega, 3# LED će svetleti crveno. Kad se baterija ohladi na približno 57 °C ili se zagreje na više od 3 °C, punjač će automatski da počne punjenje.

DEFEKтна BATERIJA ILI PUNJAČ

Kad se punjač spoji na izvor napajanja, punjač će odmah početi samo-inspekciju.

1. Ako samo-inspekcija ne uspe, nijedna LED lampica neće treperiti ili svetleti.

Napomena: Pokušajte da ponovo umetnete kabl napajanja u punjač i izvor napajanja tim redosledom. Ako LED lampice i dalje pokazuju „neuspeh“ po drugi put, obratite se EGO centru radi popravke punjača.

2. Ako punjač prođe inspekciju, 3 LED lampice će istovremeno svetleti tokom 1 sekunde, što znači da se punjač može koristiti za punjenje baterije. Tokom punjenja, ako punjač detektuje problem, 3# LED će početi da bljeska crveno ili će se sve LED lampice isključiti.
 - Ako se registruje kao defektno, izvadite i ponovo umetnite utikač baterije u punjač. Ako LED lampice i dalje pokazuju „defektno“ po drugi put, pokušajte da punitе drugačiju bateriju.
 - Ako se drugačija baterija puni normalno, odložite defektnu bateriju na otpad (pogledajte uputstva u priručniku za bateriju).
 - Ako drugačija baterija takođe pokaže „defektno“, ponovo povežite punjač na izvor napajanja dok se crveni 3# LED ne isključi. Ako su sve 3 LED lampice i dalje isključene ili 3# LED bljeska crveno, punjač je možda defektan.

⚠ UPOZORENJE: Ne preporučuje se da pokušavate punjenje dok je punjač potvrđen kao defektan; to može da izazove strujni udar ili čak ozbiljnu povredu.

RUPE ZA MONTAŽU NA ZID

Punjač ima rupe za vešanje za praktično skladištenje. Instalirajte vijke na zid sa razmakom od 76 mm.

ODRŽAVANJE

⚠ UPOZORENJE: Da biste izbegli ozbiljne telesne povrede, uvek odvojite bateriju od punjača kad radite čišćenje ili održavanje.

SR

⚠ UPOZORENJE: Tokom servisiranja, koristite samo identične EGO rezervne delove. Upotreba bilo kakvih drugih delova može da dovede do opasnosti ili da izazove oštećenje proizvoda.

⚠ UPOZORENJE: Ne preporučuje se korišćenje komprimovanog suvog vazduha kao metoda čišćenja punjača. Ako je čišćenje komprimovanim vazduhom jedini metod koji možete da primenite, uvek nosite sigurnosne naočare sa bočnim štitnicima kad čistite punjač. Ako je rad prašnjav, nosite i masku za prašinu.

⚠ UPOZORENJE: Ako je kabl napajanja oštećen, koristite samo identičan kabl napajanja. Korišćenje neovlašćenog kabla napajanja može da stvori rizik od strujnog udara ili povrede.

OPŠTE ODRŽAVANJE

Izbegavajte korišćenje rastvarača kada čistite plastične delove. Većina plastike je podložna oštećenjima od raznih tipova komercijalnih rastvarača i može se oštetiti njihovom upotrebom. Koristite čiste krpe da uklonite zemlju, prašinu, ulje, masnoću itd.

⚠ UPOZORENJE: Nemojte ni u kom trenutku dozvoliti da kočiona tečnost, benzin, proizvodi na bazi benzina, penetraciono ulje itd. dođu u kontakt sa plastičnim delovima. Hemikalije mogu da oštete, oslabe ili unište plastiku, što može da dovede do ozbiljne telesne povrede.

⚠ UPOZORENJE: Tokom servisiranja, koristite samo identične EGO rezervne delove. Upotreba bilo kakvih drugih delova može da dovede do opasnosti ili da izazove oštećenje proizvoda. Da bi se osigurala sigurnost i pouzdanost, sve popravke treba da radi kvalifikovani servisni tehničar u EGO servisnom centru.

Zaštita životne sredine



Ne odlažite električnu opremu, punjače baterija i baterije/punjive baterije u kućni otpad!

Prema evropskom zakonu 2012/19/EU, električna i elektronska oprema koja više nije upotrebjljiva, te prema evropskom zakonu 2006/66/EC, defektne ili ispražnjene baterije, moraju se prikupljati zasebno.

Ako se električni aparati odlažu na deponije ili đubrišta, opasne supstance mogu da isure u podzemne vode i dospesu u lanac ishrane, nanoseći štetu vašem zdravlju i dobrobiti.

REŠAVANJE PROBLEMA

PROBLEM	UZROK	REŠENJE
Punjač ne radi. 3# LED bljeska crveno ili su sve LED lampice isključene.	Baterija ili punjač su defektni ili je veza između baterije i punjača loša.	<ul style="list-style-type: none">■ Pokušajte da izvadite i ponovo umetnete bateriju u punjač.■ Pokušajte da punitе drugачiju bateriju.■ Isključite punjač iz utičnice i sačekajte da se crvena LED lampica isključi a zatim ponovo spojite utikač na izvor napajanja.
	Punjač se uključuje suviše često	<ul style="list-style-type: none">■ Povežite punjač na izvor napajanja 30 sekundi nakon što se sve LED lampice isključe.
Зарядное устройство не работает и индикатор №3 светится красным.	Baterija je prevruća ili prehladna.	<ul style="list-style-type: none">■ Ostavite bateriju da dosegne normalnu temperaturu. Punjenje će početi kad se baterija vrati na normalnu temperaturu.

GARANCIJA

EGO POLITIKA GARANCIJE

Posetite veb-lokaciju egopowerplus.com za potpune uslove i odredbe EGO politike garancije.

PROČITAJTE UPUTSTVO U CIJELOSTI!



PROČITAJTE KORISNIČKI PRIRUČNIK.

Napomena! Ovo uputstvo dostupno je i u alternativnom obliku, npr. na internetskoj stranici.

⚠️ Preostale opasnosti! Osobe s elektroničkim uređajima poput srčanih elektrostimulatora prije upotrebe ovog proizvoda trebaju se posavjetovati sa svojim ljekarom. Rad električne opreme u neposrednoj blizini srčanih elektrostimulatora može uzrokovati smetnju ili kvar srčanog elektrostimulatora.

⚠️ UPOZORENJE! Radi osiguranja sigurnosti i pouzdanosti, sve popravke treba obavljati kvalifikovani servisni tehničar.

⚠️ UPOZORENJE! Ovaj uređaj mogu upotrebljavati djeca starosne dobi od 8 godina i starija i osobe ograničenih fizičkih, čulnih ili mentalnih sposobnosti ili nedovoljnog iskustva i znanja ako su pod nadzorom ili ako su upućeni u siguran način upotrebe aparata te ako su razumjeli moguće opasnosti. Djeca se ne smiju igrati uređajem. Čišćenje i održavanje koje obavlja korisnik ne smiju obavljati djeca bez nadzora.

SIGURNOSNI SIMBOLI

Svrha sigurnosnih simbola je skretanje pažnje na moguće opasnosti. Sigurnosni simboli i njihova objašnjenja zahtijevaju vašu potpunu pažnju i razumijevanje. Sami simboli upozorenja sami po sebi ne isključuju opasnost. Uputstva i upozorenja koja pružaju nisu zamjena za popisne mjere za prevenciju nesreća.

⚠️ UPOZORENJE! Prije upotrebe ovog alata pobrinite se da sva sigurnosna uputstva u ovom korisničkom priručniku, uključujući sve sigurnosne simbole kao što su “OPASNOST”, “UPOZORENJE” i “OPREZ” pročitate s razumijevanjem. Zanemarivanje svih uputstava navedenih u nastavku može rezultirati strujnim udarom, požarom i/ili teškim tjelesnim povredama.

SIGURNOSNA UPUTSTVA

Na ovoj stranici slikovno su prikazani i objašnjeni sigurnosni simboli koji se mogu pojaviti na ovom proizvodu. Prije pokušaja sastavljanja i rukovanja, s razumijevanjem pročitate sva uputstva na proizvodu i pridržavajte ih se.

	Simbol upozorenja	Mjere opreza koje se odnose na vašu sigurnost
	Pročitajte korisnički priručnik.	Radi smanjenja opasnosti od povreda, korisnik treba pročitati korisnički priručnik.
	Upotreba u zatvorenom prostoru	Ovaj uređaj upotrebljavajte samo u zatvorenim prostorima.
	Izvedba klase II	Konstrukcija s dvostrukom izolacijom.
T6,3A 	Osigurači	Minijaturni osigurač s vremenskom odgodom
	CE	Ovaj proizvod je u skladu sa primjenjivim EČ direktivama.
	UKCA	Ovaj proizvod je u skladu sa primjenjivim zakonima u UK.
	WEEE	Otpadne električne proizvode ne bi trebalo odlagati zajedno sa otpadom iz domaćinstva. Odnosite ih u ovlašćeni pogon za reciklažu.
V	Volt	Napon
A	Amper	Struja
Hz	Herc	Frekvencija (ciklusi u sekundi)
W	Vat	Snaga
min	Minute	Vrijeme
	Izmjenična struja	Vrsta struje
	Istosmjerna struja	Vrsta ili karakteristike struje

⚠️ UPOZORENJE! S razumijevanjem pročitate sva uputstva. Zanemarivanje svih uputstava navedenih u nastavku može rezultirati strujnim udarom, požarom i/ili teškim tjelesnim povredama.

SIGURNOST RADNOG PODRUČJA

- Radno područje održavajte čistim i dobro osvijetljenim. Pretrpana ili mračna područja izazivaju nesreće.
- Punjač proizvođača EGO nemojte upotrebljavati u eksplozivnim okruženjima, kao na primjer u prisutnosti zapaljivih tekućina, plinova ili prašine. Punjač može stvoriti iskre koje mogu zapaliti prašinu ili isparenja.

ELEKTRIČNA SIGURNOST

- Nemojte izlagati punjač kiši ili mokrim uslovima. Prodoranjem vode u punjač povećat će opasnost od strujnog udara.

- **Nemojte nepropisno upotrebljavati kabel.** Kabel nemojte nikada upotrebljavati za nošenje, povlačenje ili isključivanje punjača iz strujnog napajanja. Kabel držite podalje od topline, ulja, oštih rubova ili pokretnih dijelova. Oštećeni ili isprepleteni kabeli povećavaju rizik od strujnog udara.
- EGO punjač može puniti EGO komplete litij-ionskih baterija navedene u nastavku:

PUNJAČ	KOMPLETI BATERIJA
CHX5500E	BAX1500

SERVISIRANJE

- **Servisiranje punjača prepustite kvalifikovanom osoblju za popravak koje upotrebljava samo identične zamjenske dijelove.** Time će se osigurati održavanje sigurnosti punjača.
- **Kada obavljate radove servisiranja na punjaču, upotrebljavajte samo identične zamjenske dijelove. Pratite uputstva u odjeljku Održavanje u ovom priručniku.** Upotrebom neodobrenih dijelova ili zanemarivanjem uputstava za održavanje može se izazvati opasnost od strujnog udara ili povreda.

SIGURNOSNE NAPOMENE ZA PUNJAČ

⚠ OPREZ! Ovaj uređaj nije predviđen da ga upotrebljavaju osobe (uključujući djecu) ograničenih fizičkih, čulnih ili mentalnih sposobnosti ili nedovoljnog iskustva i znanja, osim ako ih nadzire osoba odgovorna za njihovu sigurnost ili ako ih je uputila u način upotrebe uređaja.

- Prije upotrebe punjača baterija u cijelosti pročitajte uputstva i upozorenja u ovom priručniku i na punjaču baterija, bateriji i proizvodu kako biste izbjegli neispravnu upotrebu proizvoda i moguće povrede ili oštećenja.
- **Punjačem, uključujući utikač punjača i priključke punjača, nemojte rukovati mokrih ruku.**
- **Vodite računa da kabel postavite tako da ne postoji mogućnost hodanja po kabelu, spoticanja o kabel, kontakta kabela s oštirim rubovima ili pokretnim dijelovima ili da kabel ne bude predmetom oštećenja ili opterećenja.** Time će se smanjiti rizik od slučajnih padova koji mogu rezultirati povredama i oštećenjem kabela, što opet može rezultirati strujnim udarom.
- **Kabel i punjač držite podalje od topline kako biste spriječili oštećenje kucišta ili unutrašnjih dijelova.**
- **Nemojte dozvoliti da benzin, ulja, proizvodi na bazi nafte i sl., dođu u kontakt s plastičnim dijelovima.** Ovi materijali sadrže hemikalije koje mogu oštetiti, oslabiti ili uništiti plastiku.
- **Nemojte upotrebljavati punjač ako je kabel ili utikača oštećen jer to može rezultirati kratkim spojem i strujnim udarom.** U slučaju oštećenja, popravak ili zamjenu punjača prepustite ovlaštenom servisnom tehničaru servisnog centra proizvođača EGO.

- **Nemojte rastavljati punjač.** Ako je punjač potrebno servisirati ili popraviti, odnesite ga ovlaštenom servisnom tehničaru. Neispravno ponovno sastavljanje može rezultirati rizikom od strujnog udara i požara.
- **Prije održavanja ili čišćenja, punjač isključite iz električne utičnice da smanjite rizik od strujnog udara.**
- **Kada ga ne upotrebljavate, punjač isključite iz strujnog napajanja.** Time će se smanjiti rizik od strujnog udara ili oštećenja punjača ako metalni predmeti upadnu u otvor. To će pomoći i u sprečavanju oštećenja punjača tokom prenaponskog udara.
- **Opasnost od strujnog udara!** Nemojte dodirivati neizolirani dio izlaznog priključka ili neizolirani baterijski kontakt.
- **Sačuvajte ova uputstva.** Uputstvima se koristite često i koristite ih za upućivanje drugih osoba koje mogu koristiti ovaj alat. Ako ovaj alat nekom posudite, priložite i ovo uputstvo radi sprečavanja nepropisne upotrebe proizvoda i mogućih povreda.

VAŽNA SIGURNOSNA UPUTSTVA

- **Sačuvajte ova uputstva.** Ovaj priručnik sadrži važne sigurnosne napomene i uputstva za upotrebu za punjač CHX5500E od 56 V proizvođača EGO.
- **Prije upotrebe punjača baterija u cijelosti pročitajte uputstva i upozorenja u ovom priručniku i na punjaču baterija, bateriji i proizvodu koji upotrebljava bateriju.**

TEHNIČKI PODACI

Ulazna struja punjača	220-240 V~50 Hz 550 W
Izlazna struja punjača	4/8 A 56 V
Vrijeme punjenja	Punjenje BAX1500 (1568 Wh): 3,5 h (brzo punjenje) 7 h (standardno punjenje)
Optimalna temperatura punjenja	5°C-40°C
Masa punjača	1,6 kg

OPIS

UPOZNAJTE SVOJ PUNJAČ (sl. A)

1. Strujni kabel
2. Izlazno sučelje
3. Dugme
4. LED br. 1 (zeleni)
5. LED br. 2 (zeleni)
6. LED br. 3 (crveni)
7. Ulazno sučelje
8. Provrt za zidnu montažu
9. Priključak za zrak za hlađenje

BS

RAD

NAČIN PUNJENJA KOMPLETA BATERIJA

⚠ UPOZORENJE! Punjač nemojte upotrebljavati na otvorenom ili ga izlagati mokrim ili vlažnim uslovima. Prodiranjem vode u punjač povećat će opasnost od strujnog udara.

NAPOMENA! Kompleti litij-ionskih baterija isporučuju se djelimično napunjeni. Prije prve upotrebe potpuno napunite komplet baterija.

1. Umetnite zaseban strujni kabel u ulazno sučelje (sl. B).
2. Prikjučite punjač na strujno napajanje (220 - 240 V/50 Hz).
3. U punjač utaknite utikač baterije kako je prikazano na sl. C i D.
4. Punjač će se povezati s kompletom baterija kako bi procijenio stanje kompleta baterija.
5. Ako se komplet baterija normalno puni, treperit će zeleni svjetlosni indikator LED br. 2 na punjaču. Ako zeleno dugme držite pritisnutim najmanje 1 sekundu, normalno punjenje prebacit će se u brzo punjenje, a zeleni svjetlosni

indikator LED br. 2 isključit će se sa zelenim treperećim svjetlosnim indikatorom LED br. 1. Ventilator u punjaču kontinuirano radi, radi hlađenja kompleta baterija.

6. Nakon potpunog punjenja kompleta baterija, LED svjetlosni indikatori punjenja prestat će treperiti i kontinuirano će svijetliti zeleno. Pričekajte da se ventilator za hlađenje zaustavi, izvadite komplet baterija iz punjača i isključite punjač iz strujnog napajanja.
7. Komplet baterija potpuno će se napuniti ako ga ostavite na punjaču, ali se neće prepuniti.

NAPOMENA!

- Kada je punjač priključen za strujno napajanje u koraku 1 i ako 3 LED svjetlosna indikatora još uvijek ne svijetle, pogledajte poglavlje **“NEISPRAVAN PAKET BATERIJA ILI PUNJAČ”**.
- Značajno skraćeno vrijeme rada nakon potpunog punjenja kompleta baterija ukazuje na skoriji kraj korisnog životnog vijeka baterija i potrebu njihove zamjene.
- Punjač se može zagrijati tokom postupka punjenja. To je karakteristika normalnog rada punjača. Postupak punjenja obavljajte u dobro prozračenom području.

LED FUNKCIJE PUNJAČA

LED SVJETLOSNI INDIKATOR	LEDNA BATERIJA		LED SVJETLOSNI INDIKATOR NA PUNJAČU			RADNJA
			LED BR. 1 (ZELENI)	LED BR. 2 (ZELENI)	LED BR. 3 (CRVENI)	
	NEISPRAVAN		○	●		Komplet baterija ili punjač je neispravan.
	Previsoka temperatura	Standardno punjenje	○		●	Punjenje će započeti kada se komplet baterija vrati na normalnu temperaturu.
		Brzo punjenje		○	●	Punjenje će započeti kada se komplet baterija vrati na normalnu temperaturu.
	Standardno punjenje		○		○	Punjenje 4 A
	Brzo punjenje			○	○	Punjenje 8 A
	Baterija potpuno napunjena	Standardno punjenje	○	●	○	Punjenje je završeno.
		Brzo punjenje	●	○	○	Punjenje je završeno.
—	Uspješna samoprovjera		●	●	●	Punjač se može upotrebljavati za punjenje baterije

●: Uključeno ○: Isključeno : Treperi

PUNJENJE TOPLOG ILI HLADNOG KOMPLETA BATERIJA

Ako je temperatura kompleta baterija van normalnog opsega temperature, svjetlosni indikator LED br. 3 svijetliti će crveno. Kada se komplet baterija ohladi na temperaturu od oko 57 °C ili zagrije na više od 3 °C, punjač će automatski početi postupak punjenja.

NEISPRAVAN KOMPLET BATERIJA ILI PUNJAČ

Kada se punjač priključi na strujno napajanje, punjač će odmah pokrenuti postupak samoprovjere.

1. Ako samprovjera rezultira greškom, neće treperiti niti svijetliti nijedan LED svjetlosni indikator.

Napomena! Pokušajte ponovo umetnuti strujni kabel u punjač i strujno napajanje redosljedom. Ako LED svjetlosni indikator i drugi put očitavaju "grešku", za popravak punjača obratite se servisnom centru proizvođača EGO.

2. Ako punjač prođe provjeru, 3 LED svjetlosna indikatora naizmjenično će svijetliti po 1 sekundu, što znači da se punjač može upotrijebiti za punjenje paketa baterija. Ako punjač tokom punjenja detektuje problem, svjetlosni indikator LED br. 3 počet će treperiti u crvenoj boji ili će se svi LED svjetlosni indikator i isključiti.

- Ako se registruje kao neispravan, izvucite utikač kompleta baterija i ponovo ga umetnite u punjač. Ako LED svjetlosni indikator i drugi put očitavaju "neispravno" stanje, pokušajte puniti drugi komplet baterija.
- Ako se drugi komplet baterija puni normalno, zbrinite neispravan komplet baterija (pogledajte uputstva u priručniku kompleta baterija).
- Ako i drugi komplet baterija ukazuje na "neispravno" stanje, ponovo priključite punjač na strujno napajanje dok se crveni svjetlosni indikator LED br. 3 ne isključi. Ako su 3 LED svjetlosna indikatora i dalje isključena ili ako svjetlosni indikator LED br. 3 treperi crveno, punjač je možda neispravan.

⚠ UPOZORENJE! Ne preporučujemo da obavljate postupak punjenja nakon potvrde da je punjač neispravan, jer to može uzrokovati strujni udar ili teške tjelesne povrede.

PROVRTI ZA ZIDNU MONTAŽU

Punjač ima provrte za vješanje za praktično skladištenje. Postavite vijke u zid međusobno udaljene 76 mm.

ODRŽAVANJE

⚠ UPOZORENJE! Radi izbjegavanja teških tjelesnih povreda, uvijek odvojite komplet baterija od punjača prije obavljanja radova čišćenja ili održavanja.

⚠ UPOZORENJE! Kada obavljate radove servisiranja upotrebljavajte samo identične zamjenske dijelove proizvođača EGO. Upotreba drugih dijelova može uzrokovati opasnost ili oštećenje proizvoda.

⚠ UPOZORENJE! Kao metodu čišćenja punjača ne preporučujemo upotrebu komprimiranog suhog zraka. Ako je čišćenje komprimiranim zrakom jedina primjenjiva metoda, pri čišćenju punjača uvijek nosite zatvorene zaštitne naočale ili zaštitne naočale s bočnim štitnicima. Ako radite u prašnjavim uslovima, nosite i masku za zaštitu od prašine.

⚠ UPOZORENJE! Ako je strujni kabel oštećen, upotrebljavajte samo identičan strujni kabel. Upotrebom neodobrenog strujnog kabela može se izazvati opasnost od strujnog udara ili povreda.

OSNOVNO ODRŽAVANJE

Kada čistite plastične dijelove, izbjegavajte upotrebljavati rastvore. Mnoge plastike mogu se oštetiti različitim vrstama komercijalnih rastvora i mogu se oštetiti njihovom upotrebom. Za uklanjanje prljavštine, prašine, ulja, masti i sl. upotrebljavajte čiste krpe.

⚠ UPOZORENJE! Nemojte nikada dozvoliti da kočione tekućine, benzin, proizvodi na bazi nafte, penetrirajuća ulja i sl., dođu u kontakt s plastičnim dijelovima. Hemikalije mogu oštetiti, oslabiti ili uništiti plastiku, što može rezultirati teškim tjelesnim povredama.

⚠ UPOZORENJE! Kada obavljate radove servisiranja upotrebljavajte samo identične zamjenske dijelove proizvođača EGO. Upotreba drugih dijelova može uzrokovati opasnost ili oštećenje proizvoda. Radi osiguranja sigurnosti i pouzdanosti, sve popravke treba obavljati kvalifikovani servisni tehničar u servisnom centru proizvođača EGO.

Zaštita životne sredine



Električnu opremu, punjač baterije i baterije/punjive baterije ne odlažite u kućni otpad!

Evropska Direktiva 2012/19/EU o električnoj i elektroničkoj opremi koja više nije iskoristiva i Evropska Direktiva 2006/66/EZ zahtijevaju da se neispravni ili iskorišteni kompleti baterija/baterije moraju sakupljati zasebno.

Ako se električni uređaji odlažu na odlagališta otpada ili deponije, opasne tvari mogu iscurjeti u podzemne vode i dospjeti u lanac ishrane i negativno uticati na zdravlje i dobrobit ljudi.



OTKLANJANJE PROBLEMA

PROBLEM	UZROK	RJEŠENJE
Punjač ne radi. Svjetlosni indikator LED br. 3 treperi u crvenoj boji ili se svi LED svjetlosni indikatori isključuju.	Komplet baterija ili punjač je neispravan ili je spoj kompleta baterije i punjača loš.	<ul style="list-style-type: none">■ Pokušajte izvaditi i ponovo staviti komplet baterija u punjač.■ Pokušajte puniti drugi komplet baterija.■ Isključite punjač iz strujnog napajanja i pričekajte da se crveni LED svjetlosni indikator isključi, a zatim ponovo utaknite utikač u strujnu utičnicu.
	Previše često uključivanje punjača	<ul style="list-style-type: none">■ Priključite punjač na strujno napajanje 30 sekundi nakon isključivanja svih LED svjetlosnih indikatora.
Punjač ne radi i svjetlosni indikator LED br. 3 svijetli crveno.	Komplet baterija je previše vruć ili previše hladan.	<ul style="list-style-type: none">■ Pričekajte da komplet baterija dostigne normalnu temperaturu. Punjenje će započeti kada se komplet baterija vrati na normalnu temperaturu.

GARANCIJA

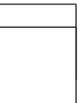
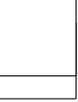
POLITIKA GARANCIJE PROIZVOĐAČA EGO

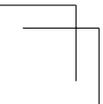
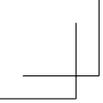
Za sve odredbe i uslove politike garancije proizvođača EGO posjetite internetsku stranicu egopowerplus.com.

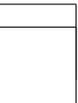
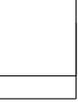
BS

178

PUNJAČ 56 V — CHX5500E







استكشاف الأخطاء وإصلاحها

المشكلة	السبب	الحل
الشاحن لا يعمل. لمبة LED الثالثة تومض باللون الأحمر أو جميع لمبات LED مطفأة.	مجموعة البطارية معطوبة أو الشاحن معطوب، أو هناك اتصال كهربائي سيئ بين مجموعة البطارية والشاحن.	<ul style="list-style-type: none"> ■ جرب خلع مجموعة البطارية من الشاحن وإعادة تركيبها. ■ جرب شحن مجموعة بطارية أخرى. ■ افصل الشاحن عن مصدر الطاقة وانتظر حتى انطفاء لمبة LED الحمراء، ثم أعد توصيل القابس في مصدر الطاقة.
الشاحن لا يعمل ولمبة LED الثالثة مضاءة باللون الأحمر.	مجموعة البطارية ساخنة للغاية أو باردة للغاية.	<ul style="list-style-type: none"> ■ قم بتوصيل الشاحن في مصدر التيار بعد 30 ثانية من انطفاء جميع لمبات LED.
الشاحن لا يعمل ولمبة LED الثالثة مضاءة باللون الأحمر.	مجموعة البطارية ساخنة للغاية أو باردة للغاية.	<ul style="list-style-type: none"> ■ اترك مجموعة البطارية إلى أن تصل إلى درجة الحرارة العادية. ستبدأ عملية الشحن مرة أخرى بعد عودة درجة حرارة مجموعة البطارية إلى درجة الحرارة العادية.

الضمان

سياسة ضمان EGO

تفضل بزيارة الموقع الإلكتروني egopowerplus.com للتعرف على الشروط والأحكام الكاملة الخاصة بسياسة ضمان EGO.

شحن مجموعة بطارية ساخنة أو باردة

إذا كانت مجموعة البطارية خارج نطاق درجة الحرارة العادية، ستضئ لمبة LED الثالثة باللون الأحمر. وعندما تبرد مجموعة البطارية حتى أقل من حوالي 57 درجة مئوية، أو تنفأ حتى أعلى من 3 درجات مئوية، سيبدأ الشاحن في الشحن تلقائيًا.

عطب في مجموعة البطارية أو الشاحن

ما أن يتم توصيل الشاحن بمصدر التيار، سيبدأ الشاحن عملية الفحص الذاتي على الفور.

1. إذا كانت نتيجة الفحص الذاتي وجود خلل، لن تومض أو تضئ جميع لمبات LED.

ملاحظة: جرب إعادة إدخال سلك التيار في الشاحن، ثم مصدر التيار، بالتتابع. إذا ظلت لمبات LED تشير إلى وجود «خلل» للمرة الثانية، تواصل مع مركز شركة EGO لإصلاح شاحنك.

2. إذا اجتاز الشاحن عملية الفحص، ستضئ لمبات

LED الثلاثة لمدة ثانية بشكل متزامن، وهو ما

يعني أن الشاحن يمكن استخدامه في شحن مجموعة

البطارية. أثناء الشحن، إذا اكتشف الشاحن وجود

مشكلة، ستبدأ لمبة LED الثالثة في الوميض باللون

الأحمر أو ستطفئ جميع لمبات LED.

■ إذا كانت المؤشرات تفيد بوجود عطب، اخلع قابس مجموعة البطارية من الشاحن وأعد تركيبه. إذا ظلت لمبات LED تشير إلى وجود «عطب» للمرة الثانية، جرب شحن مجموعة بطارية مختلفة.

■ إذا كان بمقدورك شحن مجموعة بطارية أخرى بشكل طبيعي، تخلص من مجموعة البطارية المعطوبة (راجع التعليمات الواردة في دليل مجموعة البطارية).

■ إذا أشارت مجموعة بطارية أخرى إلى وجود «عطب»، أعد توصيل الشاحن في مصدر التيار مرة أخرى إلى أن تنطفئ لمبة LED الثالثة باللون الأحمر. إذا ظلت لمبات LED الثلاثة مطفأة أو ومضت لمبة LED الثالثة باللون الأحمر، فقد يكون هناك عطب في الشاحن.

تحذير: من غير الموصى به محاولة الشاحن وأنت متأكد من وجود عطب به، فهذا قد يتسبب في حدوث صدمة كهربائية، كما قد يؤدي إلى وقوع إصابات خطيرة.

فتحات التثبيت على الجدار

يوجد بالشاحن فتحات تعليق لسهولة التخزين. قم بتركيب المسامير في الجدار بحيث تكون المسافة بينهم 76 مم.

الصيانة

تحذير: لتجنب التعرض لإصابات خطيرة، احرص دائمًا على فصل مجموعة البطارية من الشاحن عند تنظيفه أو إجراء أي أعمال صيانة عليه.

تحذير: استخدم فقط قطع غيار EGO الأصلية عند إجراء أعمال الصيانة. لأن استخدام أي أجزاء أخرى قد ينشأ عنه خطر أو يتسبب في تعرض المنتج للتلف.

تحذير: من غير الموصى به استخدام الهواء الجاف المضغوط كوسيلة لتنظيف الشاحن. إذا كان التنظيف بالهواء المضغوط هو الوسيلة الوحيدة المتاحة، فاحرص دائمًا على ارتداء واقيات الوجه أو نظارات حماية الوجه ذات الدروع الجانبية عند تنظيف الشاحن. إذا كنت ستعمل في أجواء مرتبة، يجب أيضًا ارتداء قناع واقي من الغبار.

تحذير: إذا كان سلك التيار تالفًا، استخدم سلك تيار أصلي فقط. قد ينجم عن استخدام سلك تيار غير مصرح به خطر التعرض لصدمة كهربائية أو إصابة.

الصيانة العامة

تجنب استخدام المنظفات عند تنظيف الأجزاء البلاستيكية. غالبية المكونات البلاستيكية تكون سريعة التآثر بالأنواع المختلفة للمنظفات الموجودة بالسوق، وقد تلف نتيجة استخدامها عليها. استخدم قطعة قماش نظيفة لإزالة الأوساخ والأتربة والزيت والشحم وما شابههم.

تحذير: لا تسمح في أي وقت من الأوقات بملامسة سوائل الفرامل أو البنزين أو المنتجات القائمة على البترول أو الزيت المتغلغل أو ما شابههم للأجزاء البلاستيكية. لأن المواد الكيميائية قد تتسبب في تلف الأجزاء البلاستيكية أو وضعفها أو تدميرها، وهو ما قد يؤدي إلى وقوع إصابات خطيرة.

تحذير: استخدم فقط قطع غيار EGO الأصلية عند إجراء أعمال الصيانة. لأن استخدام أي أجزاء أخرى قد ينشأ عنه خطر أو يتسبب في تعرض المنتج للتلف. لضمان السلامة والاعتمادية، يجب تنفيذ جميع أعمال الإصلاح من قبل فني خدمة مؤهل في أحد مراكز صيانة شركة EGO.

حماية البيئة



لا تتخلص من المعدات الكهربائية وشاحن البطارية والبطاريات العادية/البطاريات القابلة لإعادة الشحن في النفايات المنزلية!

وفقًا للقانون الأوروبي 2012/19، فإن المعدات الكهربائية والإلكترونية التي لم تعد صالحة للاستخدام، ووفقًا للقانون الأوروبي 2006/66/EC، فإن مجموعات البطارية/البطاريات المعطوبة أو المستهلكة، يجب جمعها بشكل منفصل.

إذا تم التخلص من الأجهزة الكهربائية في أكوام القمامة أو مقلب النفايات، قد تتسرب مواد خطيرة في المياه الجوفية وتصل إلى السلسلة الغذائية، وهو ما يضر بالصحة والبيئة.

التشغيل

كيفية شحن مجموعة البطارية

تحذير: لا تستخدم الشاحن في الأماكن الخارجية المفتوحة أو في بيئات العمل الرطبة أو المبللة. حيث سيؤدي الماء الذي يدخل إلى الشاحن إلى زيادة خطر حدوث صدمة كهربائية.

تنبيه: يتم شحن بطاريات الليثيوم-أيون وهي مشحونة جزئياً. قبل الاستخدام للمرة الأولى، اشحن مجموعة البطارية بالكامل.

الشحن السريع، وستطفئ لمبة LED الخضراء الثانية وتومض لمبة LED الخضراء الأولى. تعمل المروحة الموجودة في الشاحن بشكل متواصل لتبريد مجموعة البطارية.

6. عند اكتمال شحن مجموعة البطارية، ستوقف لمبات مؤشرات الشحن LED عن الوميض وتضيئ باللون الأخضر الثابت. انتظر حتى توقف مروحة التبريد، واخضع مجموعة البطارية من الشاحن، وافصل الشاحن عن مصدر التيار.

7. سيتم شحن مجموعة البطارية بالكامل إذا تم تركها موصولة بالشاحن، ولن يتم شحنها بشكل زائد.

تنبيه:

- أثناء توصيل الشاحن بمصدر الطاقة كما في الخطوة 1، إذا ظلت لمبات LED الثلاث مطفاة، راجع قسم «عطب في مجموعة البطارية أو الشاحن».
- عمل مجموعة البطارية لفترة قصيرة للغاية بعد شحنها بالكامل يشير إلى أنها قد اقتربت من نهاية عمرها ويجب استبدالها.
- قد يصبح الشاحن ساخناً أثناء الشحن. هذا جزء من عملية التشغيل الطبيعية للشاحن. احرص على شحن البطارية في مكان جيد التهوية.

- أدخل سلك التيار المنفصل في واجهة دخل الطاقة (الشكل B).
- صل الشاحن بمصدر للتيار (220-240 فولت/ 50 هرتز).
- أدخل قابس البطارية في الشاحن على النحو الموضح في الشكلين C و D.
- سيصل الشاحن بمجموعة البطارية لتقييم حالتها.
- سيواصل لمبة LED الخضراء الثانية الموجود بالشاحن في الوميض أثناء شحن مجموعة البطارية بشكل طبيعي. إذا واصلت الضغط على الزر الأخضر لمدة لا تقل عن ثانية، سيتحول الشحن العادي إلى

وظائف لمبات LED الموجودة بالشاحن

الإجراء	لمبة LED بالشاحن			بطارية محمولة على الظهر	مؤشر LED
	لمبة LED الثالثة (حمراء)	لمبة LED الثانية (خضراء)	لمبة LED الأولى (خضراء)		
هناك عطب في مجموعة البطارية أو الشاحن.				معتوبة	
ستبدأ عملية الشحن مرة أخرى بعد عودة درجة حرارة مجموعة البطارية إلى درجة الحرارة العادية.				شحن عادي	درجة حرارة زائدة
ستبدأ عملية الشحن مرة أخرى بعد عودة درجة حرارة مجموعة البطارية إلى درجة الحرارة العادية.				شحن سريع	
رربماً 4 رايبتن نحشلا				يبدأ نحشلا	
الشحن بتيار 8 أمبير				شحن سريع	
اكتملت عملية الشحن				شحن عادي	
اكتملت عملية الشحن				شحن سريع	
يمكن استخدام الشاحن في شحن البطارية				فحص ذاتي ناجح	
					●: مضاءة ○: مطفاة : تومض

- **افصل الشاحن من مقبس الكهرباء قبل محاولة إجراء أي أعمال صيانة أو تنظيف، وذلك للحد من خطر التعرض لصدمة كهربائية.**
- **افصل الشاحن عن مصدر التيار عند عدم الاستخدام.** فهذا سيحد من خطر التعرض لصدمة كهربائية أو حدوث تلف بالشاحن إذا سقطت أشياء معدنية في الفتحة. فهذا سيساعد أيضاً في منع تعرض الشاحن للتلف أثناء الارتفاع المفاجئ في شدة التيار.
- **خطر التعرض لصدمة كهربائية.** لا تلمس الجزء غير المعزول من موصل خرج التيار أو طرف البطارية غير المعزول.
- **احفظ هذه التعليمات.** راجعهم باستمرار واستخدمهم لتوجيه الآخرين عند استخدام هذه الآلة. إذا قمت بإقراض هذه الآلة لشخص آخر، أرفق معها هذه التعليمات لمنع سوء استخدام المنتج والإصابات المحتملة.
- **تعليمات سلامة هامة**
- **احفظ هذه التعليمات.** يحتوي هذا الدليل على تعليمات سلامة وتشغيل هامة لشاحن EGO بجهد كهربائي 56 فولت CHX5500E.
- **قبل استخدام شاحن البطارية، اقرأ جميع التعليمات والملصقات التحذيرية الواردة على شاحن البطارية والبطارية يستخدم البطارية.**

المواصفات

دخل الشاحن	220-240 فولت، 50 هرتز، 550 واط
خرج الشاحن	8/4 واط، 56 فولت
وقت الشحن	شحن BAX1500 (بطاقة 1568 واط في الساعة): 3.5 ساعة (شحن سريع) 7 ساعات (شحن عادي)
درجة حرارة الشحن المثالية	5 - 40 درجة مئوية
وزن الشاحن	1.6 كجم

الوصف

تعرف على الشاحن (الشكل A)

1. سلك التيار
2. واجهة خرج الطاقة
3. زر
4. لمبة LED الأولى (خضراء)
5. لمبة LED الثانية (خضراء)
6. لمبة LED الثالثة (حمراء)
7. واجهة دخل الطاقة
8. فتحة التثبيت على الجدار
9. منفذ تبريد الهواء

- يمكن لشاحن EGO أن يشحن مجموعات بطاريات ليثيوم-أيون EGO المدرجة أدناه:

الشاحن	مجموعات البطارية
CHX5500E	BAX1500

الصيانة

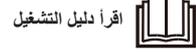
- **يجب إجراء الصيانة على الشاحن بواسطة فني إصلاح متخصص باستخدام قطع غيار أصلية فقط.** فهذا سيضمن المحافظة على سلامة الشاحن.
- **استخدم فقط قطع غيار أصلية عند إجراء أعمال الصيانة على الشاحن.** احرص على اتباع التعليمات الواردة في قسم الصيانة من هذا الدليل. قد يتجمد عن استخدام قطع غيار غير مصرح بها أو الإخفاق في اتباع تعليمات الصيانة خطر التعرض لصدمة كهربائية أو إصابة.

قواعد السلامة الخاصة بالشاحن

- **تنبيه:** هذا الجهاز غير مخصص للاستخدام من قبل الأشخاص (بما في ذلك الأطفال) من ذوي القدرات البدنية أو الحسية أو العقلية المحدودة أو من ليست لديهم خبرة أو معرفة، إلا في حال قيام شخص مسؤول بتقديم الإشراف أو التعليمات المتعلقة باستخدام الجهاز لهم من أجل سلامتهم.

- **قبل استخدام شاحن البطارية، اقرأ جميع التعليمات والملصقات التحذيرية الواردة في هذا الدليل وعلى شاحن البطارية والبطارية والمنتج لمنع إساءة استخدام المنتجات والتعرض المحتمل للإصابات أو التلف.**
- **لا تتعامل مع الشاحن، بما في ذلك قابس الشاحن وأطراف الشاحن، ويداك مبلتلتان.**
- **تأكد من وضع سلك التيار في مكان بحيث لا يسير فوقه أحد أو يتعثر فيه، وكذا بحيث لا يلامس حواف حادة أو أجزاء متحركة، أو أن يتعرض بأي شكل من الأشكال للتلف أو الشد.** فهذا سيحد من خطر التعثر غير المقصود به، وهو ما قد يؤدي إلى وقوع إصابات أو تعرض سلك التيار للتلف، وهو ما قد يؤدي بالتبعية إلى حدوث صدمة كهربائية.
- **احفظ بسلك التيار والشاحن بعيداً عن مصادر الحرارة لمنع تعرض الهيكل أو الأجزاء الداخلية للتلف.**
- **لا تسمح بملامسة البنزين أو الزيوت أو المنتجات القائمة على البترول أو ما شابههم للأجزاء البلاستيكية.** هذه المكونات تحتوي على مواد كيميائية قد تتسبب في تلف الأجزاء البلاستيكية أو ضعفها أو تدميرها.
- **لا تقم بتشغيل الشاحن وقابسه أو سلك التيار الخاص به تلقاً، فقد يؤدي ذلك إلى حدوث دائرة قصر (قفل للدائرة) ووقوع صدمة كهربائية.** وإذا كان تلقاً، فاحرص على إصلاح الشاحن أو استبداله من قبل فني صيانة معتمد في أحد مراكز صيانة EGO.
- **لا تقم بتفكيك الشاحن بنفسك.** بل اذهب به إلى فني صيانة معتمد عند الحاجة إلى صيانتة أو إصلاحه. قد تؤدي إعادة التجميع غير الصحيحة إلى خطر التعرض لصدمة كهربائية أو نشوب حريق.

اقرأ جميع التعليمات!



اقرأ دليل التشغيل

ملاحظة: ينبغي أن تكون هذه التعليمات متاحة أيضاً بالتنسيق آخر، مثلاً على موقع إلكتروني.

⚠️ خطر زائد! الأشخاص الذين تم تركيب أجهزة طبية إلكترونية لهم، مثل منظم ضربات القلب، يجب عليهم استشارة الطبيب قبل استخدام هذا المنتج. لأن تشغيل معدات كهربائية بالقرب من منظم ضربات القلب قد ينشأ عنه خلل أو فشل في أداء منظم ضربات القلب.

⚠️ تحذير: لضمان السلامة والاعتمادية، يجب تنفيذ جميع أعمال الإصلاح من قبل فني خدمة مؤهل.

⚠️ تحذير: يمكن للأطفال من سن 8 سنوات فما فوق استخدام هذا الجهاز وكذلك الأشخاص الذين يعانون من ضعف القدرات البدنية أو الحسية أو العقلية أو عدم الخبرة أو المعرفة شريطة توافر الإشراف والتوجيه فيما يتعلق باستخدام الجهاز بطريقة آمنة وفهم المخاطر المتضمنة. لا يجب ترك الجهاز بين يدي الأطفال للعبث به. يجب ألا يقوم الأطفال بتنظيف الجهاز وصيانته دون الإشراف عليهم.

رموز السلامة

الغرض من رموز السلامة هو جذب انتباهك إلى المخاطر المحتملة. رموز السلامة والشروح المصاحبة لها تستحق اهتمامك وفهمك الدقيق. تحذيرات كل رمز، بنفسها، لا تمنع وقوع أي خطر. التعليمات والتحذيرات التي تمنحك إياها لا تعد بديلاً عن تطبيق الإجراءات الملائمة لمنع وقوع الحوادث.

⚠️ تحذير: احرص على قراءة وفهم جميع تعليمات السلامة في دليل التشغيل هذا، بما في ذلك جميع رموز تنبيهات السلامة، مثل «خطر»، وتحذير، وتنبيه قبل استخدام هذه الآلة. عدم اتباع جميع التعليمات الواردة أثناء قد يؤدي إلى حدوث صدمة كهربائية أو نشوب حريق أو التعرض للإصابة الشخصية، أحدها أو جميعها.

تعليمات السلامة

هذه الصفحة تصف وتشرح رموز السلامة التي قد تظهر على هذا المنتج. اقرأ جميع التعليمات المذكورة على الآلة وافهمها واتبعها قبل محاولة تجميع الآلة وتشغيلها.

	تنبيه سلامة	احتياطات تتعلق بسلامتك.
	اقرأ دليل التشغيل	للحد من خطر التعرض لإصابة، ينبغي على المستخدم قراءة دليل التشغيل.
	لاستخدم المنزلي	استخدم هذا الجهاز في الأماكن الداخلية فقط.

	هيكل من الفئة II	هيكل ثنائي العزل
	وصلات مصهر	وصلة مصهر مصغرة للتأخير الزمني
	شهادة الجودة الأوروبية CE	هذا المنتج متوافق مع توجيهات شهادة الجودة الأوروبية (CE) المعمول بها.
	تقييم المطابقة UKCA	هذا المنتج متوافق مع تشريعات المملكة المتحدة المعمول بها.
	نفايات المعدات الكهربائية والإلكترونية (WEEE)	لا يجب التخلص من الأجهزة الكهربائية المستهلكة في النفايات المنزلية. توجه بالجهاز إلى مركز إعادة تدوير معتمد.
V	فولت	الجهد الكهربائي
A	أمبير	التيار
Hz	هرتز	التردد (دورات في الثانية)
W	واط	الطاقة
min	دقائق	الوقت
	تيار متردد	نوع التيار
	تيار مستمر	النوع أو خصائص التيار

⚠️ تحذير: اقرأ جميع التعليمات وافهمها. عدم اتباع جميع التعليمات الواردة أثناء قد يؤدي إلى حدوث صدمة كهربائية أو نشوب حريق أو التعرض للإصابة الشخصية، أحدها أو جميعها.

سلامة منطقة العمل

- حافظ على منطقة العمل نظيفة ومضاءة جيداً. حيث عادة ما تتسبب المناطق المظلمة أو التي بها ركام إلى وقوع حوادث.
- لا تقم بتشغيل شاحن EGO في أجواء قابلة للانفجار، على سبيل المثال في وجود سائل أو غازات أو غبار قابلة للاشتعال. فقد يتسبب الشاحن في صدور شرارة، والتي قد تتسبب في اشتعال الغبار أو الأبخرة القابلة للاشتعال.

السلامة الكهربائية

- لا تقم بتعرض الشاحن للمطر أو الأجواء الرطبة. حيث سيؤدي الماء الذي يدخل إلى الشاحن إلى زيادة خطر حدوث صدمة كهربائية.
- لا تعيث بسلك التيار. لا تقم أبداً باستخدام سلك التيار في حمل الشاحن أو سحب القابس من المقبس أو فصله عن مصدر التيار. احتفظ بسلك التيار بعيداً عن مصادر الحرارة أو الزيت أو الحواف الحادة أو الأجزاء المتحركة. تؤدي أسلاك التيار التالفة أو المتشابكة إلى زيادة خطر حدوث صدمة كهربائية.



איתור וטיפול בבעיות

בעיה	סיבה	פתרון
המטען אינו עובד. נורית 3 מהבהבת בצבע אדום או שכל נוריות הליד נכבות.	מארז הסוללה או המטען ניזוקים או שקיים חיבור לא מתאים בין מארז הסוללה למטען.	<ul style="list-style-type: none">נסו להסיר ולהכניס מחדש את מארז הסוללה אל תוך המטען.נסו להטעין מארז סוללה אחר.הוציאו את מארז הסוללה ממקור המתח וחכו עד אשר האור האדום יכובה, לאחר מכן חברו מחדש את התקע אל מקור המתח.
	החלפת המטען לעתים קרובות מדי.	<ul style="list-style-type: none">חברו את המטען אל מקור המתח לאחר 30 שניות שכל נורות הליד כבו.
המטען איננו עובד ונורית 3 דולקת בצבע אדום.	מארז הסוללה חם מדי או קר מדי.	<ul style="list-style-type: none">אפשרו למארז הסוללה להגיע לטמפרטורה נורמלית. הטעינה תחל מחדש כאשר מארז הסוללה יחזור לטמפרטורה נורמלית.

אחריות

מדיניות האחריות של EGO

אנא בקרו באתר egopowerplus.com עבור התנאים וההתניות השלמים של מדיניות האחריות של EGO.

טעינה של מארז סוללה חם או קר

אם מארז הסוללה נמצא מחוץ לטווח הטמפרטורות הנורמלי, נורית 3 תאיר בצבע אדום. כאשר מארז הסוללה מתקרר עד לטמפרטורה של 57°C או מתחמם מעל לטמפרטורה של 3°C, המטען יתחיל את הטעינה באופן אוטומטי.

מארז סוללה או מטען ניזוקים

כאשר המטען מתחבר אל מקור מתח, המטען יחל מיד בפעולה של בדיקה עצמית.

1. אם פעולת הבדיקה העצמית איננה מוצלחת, כל הנוריות לא תהבהבנה או תארנה.

הודעה: נסו להכניס מחדש את הכלב החשמלי אל המטען ואל מקור המתח ברצף. אם נוריות הלבד עדיין מראות „א” הצלחה” בפעם השנייה, צרו קשר עם מרכז EGO על מנת לתקן את המטען.

2. אם הבדיקה העצמית מוצלחת, 3 נורות הלבד תארנה למשך שנייה אחת בו זמנית, דבר המראה שניתן להשתמש במטען על מנת להטעין את מארז הסוללה. בעת הטעינה, אם המטען מאתר בעיה, נורית 3 תתחיל להבהב בצבע אדום או שכל נורות הלבד תכבנה.

- אם עדיין ניזוקה, נסו להסיר ולהכניס מחדש את כבל מארז הסוללה אל תוך המטען. אם נוריות הלבד עדיין מראות על מצב „ניזוק”, נסו להטעין מארז סוללה אחר.
- אם מארז סוללה אחר ניטען באופן נורמלי, היפטרו ממארז הסוללה הניזוק (עיינו בהוראות במדריך מארז הסוללה).
- אם מארז סוללה שונה גם מראה „נזק”, חברו מחדש את המטען אל מקור המתח וחוכו עד אשר נורית הלבד 3 האדומה כבה. אם כל 3 נורות הלבד עדיין כבויים או נורית הלבד 3 המהבהבת בצבע אדום, המטען עלול להיות ניזוק.

אזהרה: לא מומלץ לנסות להטעין כאשר המטען ניזוק, הדבר עלול לגרום לשוק חשמלי או לפגיעה חמורה.

חורים להרכבה על הקיר

המטען מצויד בחורי תלייה לאחסון נוח. התקינו ברגים בקיר במרחק 67 מ"מ אחד מן השני.

תחזוקה

אזהרה: על מנת למנוע פגיעות אישיות, נתקו תמיד את מארז הסוללה מן המטען לפני הניקיון או ביצוע כל עבודת תחזוקה.

אזהרה: במקרה של עבודות שירות, השתמשו רק בחלקי חילוף זהים של EGO. שימוש בחלקי חילוף אחרים עלול לגרום לסכנה או נזק למוצר.

אזהרה: לא מומלץ להשתמש באוויר דחוס יבש כשיטת ניקיון עבור המטען. אם ניקיון עם אוויר דחוס היא שיטת הניקיון היחידה, ענדו תמיד משקפי מגן או משקפי בטיחות עם הגנה צדדית בעת ניקיון המטען. אם ההפעלה היא באזור מאובק, חבשו גם מסכת אבק.

אזהרה: אם כבל המתח ניזוק, השתמשו רק בכבל מתח זהה. השימוש בכבל מתח לא מאושר עלול לגרום לשוק או פגיעה.

תחזוקה כללית

הימנעו משימוש בממסים כאשר אתם מנקים חלקי פלסטיק. רוב חלקי הפלסטיק עלולים להיזק מסוגים שונים של ממסים מסחריים ועל ידי השימוש בהם. השתמשו במטליות נקיות על מנת להסיר לכלוך, אבק, שמן, חומר סיכה וכו'.

אזהרה: לעולם אל תיתנו לנוזלי בלימה, בנזין, מוצרים מבוססי בנזין, שמנים וכו', לבוא במגע עם חלקי פלסטיק. חומרים כימיים עלולים להזיק, להחליש או להרוס את הפלסטיק והדבר עלול לגרום לפגיעה אישית חמורה.

אזהרה: במקרה של עבודות שירות, השתמשו רק בחלקי חילוף זהים של EGO. שימוש בחלקי חילוף אחרים עלול לגרום לסכנה או נזק למוצר. על מנת להבטיח בטיחות ואמינות, יש לבצע את כל התיקונים וההחלפות בעזרת טכנאי שירות מוסמך במרכז שירות של EGO.

הגנה על הסביבה

אל תיזרקו ציוד חשמלי, מטען הסוללה וסוללות/סוללות ניתנות לטעינה ביחד עם אשפה ביתית!



בהתאם לחוק האירופי 2012/19/EU, ציוד חשמלי ואלקטרוני אשר איננו נמצא יותר בשימוש, ובהתאם לחוק האירופי 2006/66/EC, ציוד חשמלי ואלקטרוני ניזוק, "יאספו באופן נפרד".

אם ציוד חשמלי נזרק ביחד עם אשפה ביתית או במזבלה, חומרים מסוכנים עלולים לנזול אל האדמה ולהפוך לחלק משרשרת המזון, דבר העלול לגרום לנזק לבריאות והרווחה שלכם.

הפעלה

איך להטעין את מארז הסוללה

⚠ אזהרה: אין להשתמש במטען מחוץ לבית או לחשוף אותו לתנאים רטובים או לחים. מים הנכנסים אל המטען יגבירו את הסכנה לשוק חשמלי.

הודעה: מארזי סוללות ליתיום-יון נשלחים כאשר הם טעונים חלקית. לפני השימוש בו בפעם הראשונה, הטעינו לגמרי את מארז הסוללה.

- לטעינה מהירה ואז נורית הלב 2 הירוקה תכובה ונורית הלב 1 הירוקה תהבהב. המאוורר בתיך המטען עובד תמיד על מנת לקרר את מארז הסוללה.
6. כאשר מארז הסוללה טעון לגמרי, אינדיקטורי הלב עבור הטעינה יפסיקו להבהב והם יפכו לצבע ירוק דולק. המתינו עד אשר מאוורר הקירור של המטען מפסיק את פעולתו, הסירו את מארז הסוללה מן המטען ונתקו את המטען ממקור המתח.
7. מארז הסוללה ייטען לגמרי כאשר הוא נמצא בתוך המטען, אך לא תתבצע טעינת יתר.

הודעה:

- כאשר המטען מחובר אל מקור מתח בצעד מס' 1, אם שלוש נורות הלב עדיין נשארות כבויות, עיינו בחלק הנוגע ל-"מארז סוללה או מטען ניזוקים".
- זמן פעילות נמוך במיוחד לאחר טעינה מלאה של מארז הסוללה פירושו שהסוללות נמצאות בסוף חייהן ויש להחליף אותן.
- המטען עלול להתחמם בעת הטעינה. הדבר הוא חלק מן הפעולה הרגילה של המטען. בצעו טעינה באזור מאוורר היטב.

- הכניסו את כבל המתח הנפרד אל ממשק הפלט (איר B).
- חברו את המטען אל מקור המתח (220-240V/50Hz).
- הכניסו את מארז הסוללה אל תוך המטען כפי שניתן לראות באיורים C ו-D.
- המטען יתקשר עם מארז הסוללה על מנת להעריך את המצב של מארז הסוללה.
- אם מארז הסוללה נמצא בטעינה רגילה, נורית הלב 2 הירוקה על גבי המטען תהבהב. אם אתם לוחצים על הכפתור הירוק לפחות למשך שנייה אחת, הטעינה הרגילה תהפוך

פונקציות הלב של המטען

פעולה	נורית על המטען			סוללת תרמיל	אינדיקטור לד
	נורית לד 3 (אדום)	נורית לד 2 (ירוק)	נורית לד 1 (ירוק)		
מארז הסוללה או המטען ניזוקים				ניזוק	
הטעינה תחל מחדש כאשר מארז הסוללה יחזור לטמפרטורה נורמלית				טעינה רגילה	
הטעינה תחל מחדש כאשר מארז הסוללה יחזור לטמפרטורה נורמלית				טעינה מהירה	
טעינת 4A				טעינה רגילה	
טעינת 8A				טעינה מהירה	
הטעינה הסתיימה				טעינה רגילה	
הטעינה הסתיימה				טעינה מהירה	
ניתן להשתמש במטען על מנת להטעין את הסוללה				בדיקה עצמית מוצלחת	

● מהבהב ○ כבוי ☀ פועל

HE

- **נתקו את ממטען ממקור המתח כאשר איננו בשימוש.** הדבר יפחית את הסיכון לשוק חשמלי או נזק למטען אם חלקי מתכת יפילו אל תוך הפתח. הדבר גם יעזור למנוע נזק למטען בעת עליית מתח.
 - **סיכון לשוק חשמלי.** נא לא לגעת בחלקים הלא מבודדים של מחבר התקע או המסוף הלא מבודד של הסוללה.
 - **שימרו על הוראות אלו.** עיינו בהם בתדירות גבוהה והשתמשו בהם על מנת להדריך אחרים אשר עשויים להשתמש במכשיר. אם אתם מלווים את הכלי למישהו אחר, תנו לו גם את ההוראות הללו על מנת למנוע שימוש לא נכון של המכשיר או פציעות אפשריות.
- הוראות בטיחות חשובות**
- **שימרו על הוראות אלו.** מדריך זה כולל הוראות בטיחות והפעלה חשובות עבור מטען EGO 56V CHX5500E.
 - **לפני השימוש במטען הסוללות, קראו את כל ההוראות ואת סימני הזהירות על גבי המטען, הסוללה והמוצר עבורו אתם משתמשים בסוללות.**

מפרטים

קלט מטען	220-240 V~50 Hz 550 W
פלט מטען	4/8 A 56V
זמן טעינה	טעינה של BAX1500 (1568 Wh): 3.5 שעות (טעינה מהירה) 7 שעות (טעינה רגילה)
טמפרטורת טעינה אופטימלית	5°C-40°C
משקל מטען	1.6 ק"ג

תיאור

הכירו את המטען שלכם (איור A)

1. כבל חשמלי
2. ממשק פלט
3. כפתור
4. נורית לד 1 (ירוק)
5. נורית לד 2 (ירוק)
6. נורית לד 3 (אדום)
7. ממשק פלט
8. חורי הרכבה לקיר
9. יציאת אוויר קירור

- מטען ה-EGO יכול להטעין את מארזי סוללות הליתיום-יון הרשומים למטה:

מטען	מארזי סוללה
CHX5500E	BAX1500

שירות

- **בצעו עבודות שירות על המטען שלכם רק באמצעות טכנאי שירות מוסמך העושה שימוש בחלקי חילוף זהים בלבד.** הדבר יבטיח שבטיחות המטען נשמרת.
 - **במקרה של עבודות תיקון למטען, השתמשו רק בחלקי חילוף זהים. בצעו את ההוראות בפרק התחזוקה במדריך זה.** השימוש בחלקים שאינם מאושרים או אי ביצוע הוראות תחזוקה עשוי לגרום סיכון להלם או לפציעה.
- חוקי בטיחות עבור המטען**
- ⚠ זהירות:** מכשיר זה איננו מיועד לשימוש על ידי אנשים (כולל ילדים) בעלי יכולות פיזיות, חושיות או נפשיות מוגבלות, אנשים עם חוסר ניסיון וידע, אלא אם כן ישנו מישהו המפקח עליהם וניתנו להם הוראות בנושא השימוש במכשיר על ידי אדם האחראי לביטחונם.
- **לפני השימוש במטען הסוללות, קראו את כל ההוראות ואת סימני הזהירות במדריך זה ועל גבי המטען, הסוללה והמוצר על מנת למנוע שימוש לא נכון של מוצרים ופציעות או נזקים אפשריים.**
 - **אין לטפל במטען, כולל תקע המטען או מסופי המטען בידיים רטובות.**
 - **וודאו שהכבל ממוקם כך שלא ניתן יהיה לדרוך עליו, להיתקל בו, שהוא יבוא במגע עם קצוות חדים או עם חלקים נעים, או במקום שהוא יכול להינזק או להימתח.** הדבר יפחית את הסיכון לנפילות מקריות, אשר יכולות לגרום לפציעות ולנזק לכבל, ובסופו של דבר לשוק חשמלי.
 - **שימרו על הכבל והמטען מפני חום על מנת למנוע נזק מן התאים או מן החלקים הפנימיים.**
 - **לעולם אל תיתנו לבנדין, מוצרים מבוססי בנדין, שמינים וכו', לבוא במגע עם חלקי פלסטיק.** חומרים אלו מכילים כימיקלים אשר עלולים להזיק, להחליש או להרוס את הפלסטיק.
 - **אל תפעילו את המטען עם כבל או תקע ניזוקים, הדבר עלול לגרום לקצר ולשוק חשמלי.** אם ישנו נזק, תקנו או החליפו את המטען בעזרת טכנאי שירות מוסמך במרכז שירות של EGO.
 - **נא לא לפרק את המטען.** קחו אותו אל טכנאי שירות מוסמך אם יש צורך בעבודות שירות או תיקונים. הרכבה לא נכונה מחדש עלולה לגרום לשוק חשמלי או לשרפה.
 - **הוציאו את המטען מן השקע החשמלי לפני כל עבודת תחזוקה או ניקיון על מנת להפחית את הסיכון לשוק חשמלי.**

יש להשתמש במכשיר זה בפנים הבית בלבד	שימוש בפנים הבית	
בנייה בעלת בידוד כפול	בנייה מסוג II	
חיבור נתיך מינאטורי להשיית זמן	חיבורי נתיך	T6,3A
מוצר זה תואם לתקנות ה-CE הרלוונטיות.	CE	
מוצר זה הוא בהתאם לחוקים הרלוונטיים בבריטניה.	UKCA	
אין לזרוק מוצרים חשמליים ביחד עם אשפה ביתית. הביאו את המכשיר למרכז מחזור מוסמך.	WEEE	
מתח	וולט	V
זרם	אמפרים	A
תדירות (מחזורים לשנייה)	הרץ	Hz
מתח	וואט	W
זמן	דקות	min
סוג זרם	זרם חלופי	
סוג או מאפיין מתח	זרם ישיר	

⚠ אזהרה: קראו והבינו את כל ההוראות. אי מילוי אחר כל ההוראות המופיעות למטה יכול לגרום להלם חשמלי, שרפה ו/או פציעות אישיות חמורות.

בטיחות סביבת העבודה

- שימרו על סביבת העבודה נקייה ומוארת כהלכה. סביבות לא מסודרות ואפלות מזמינות תאונות.
- אל תפעילו את מטען ה-EGO באזורים דליקים, בנוכחות נוזלים דליקים, גזים או אבק. המטען עלול לייצר ניצוצות העלולים להצית את האבק או האדים.

בטיחות חשמלית

- אל תחשפו את המטען לגשם או לתנאים רטובים. מים הנכנסים אל המטען יגבירו את הסכנה לשוק חשמלי.
- אל תפעילו לחץ על הכבל. לעולם אל תשתמשו בכבל על מנת לשאת, למשוך או להוציא את המטען מן השקע. שימרו על הכבל הרחק ממקורות חום, שמן, קצוות חדים או חלקים נעים. כבלים ניזוקים או מלופפים מגבירים את הסיכון לשוק חשמלי.

קראו את כל ההוראות!

קראו את מדריך ההוראות

הודעה: הוראות אלה יהיו זמינות גם בפורמט חלופי, כגון באתר אינטרנט.

⚠ סיכון שיורי! אנשים בעלי מכשירים חשמליים כגון קוצבי לב, צריכים להתייעץ עם הרופא(ים) המטפל(ים) בהם לפני השימוש במכשיר זה. הפעלה של ציוד חשמלי בקרבת קוצבי לב עלולה להפריע לפעולת הקוצב או אפילו להפסיק את פעולתו.

⚠ אזהרה: על מנת להבטיח בטיחות ואמינות, יש לבצע את כל התיקונים וההחלפות בעזרת סכנאי שירות מוסמך.

⚠ אזהרה: מכשיר ניתן לשימוש על ידי ילדים בגיל הגבוה מ-8 ואנשים בעלי יכולות פיזיות, חושיות או נפשיות מוגבלות, אנשים עם חוסר ניסיון וידע, אם ישנו מישהו המפקח עליהם וניתנו להם הוראות בנושא השימוש במכשיר באופן בטוח והם מבינים את הסכנות המעורבות בשימוש. ילדים לא יישחקו עם המכשיר. ניקיון ועבודות תחזוקה לא יבצעו על ידי ילדים ללא השגחה.

סימני בטיחות

מטרתם של סימני הבטיחות היא למשוך את תשומת לבכם אל סכנות אפשריות. סימני הבטיחות וההסברים שלהם דורשים את תשומת הלב וההבנה המלאות שלכם. סימני הבטיחות בעצמם לא ימנעו כל סכנה. ההוראות והאזהרות אותן הם מספקים לא תחלפנה נקיטת אמצעי מניעה מתאימים בעת תאונה.

⚠ אזהרה: וודאו שאתם קוראים ומבינים את כל ההוראות הבטיחות המופיעות במדריך זה למשתמש, כולל את כל סימני התרעות הבטיחות כגון „סכנה“, „אזהרה“ ו-„זהירות“ לפני השימוש במכשיר זה. אי מילוי אחר כל ההוראות המופיעות למטה יכול לגרום להלם חשמלי, שרפה ו/או פציעות אישיות חמורות.

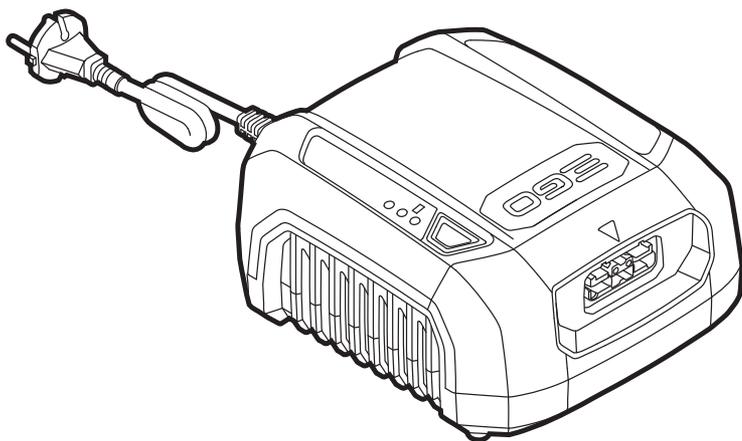
הוראות בטיחות

עמוד זה מציין ומתאר את סימני הבטיחות העשויים להופיע על גבי המוצר. קראו, הבינו ועקבו אחר ההוראות המופיעות על המכשיר לפני כל ניסיון להרכיב ולהשתמש בו.

אמצעים הקשורים לבטיחותכם	התראת בטיחות	
על מנת להפחית את הסיכון לפציעות, על המשתמש לקרוא את המדריך למשתמש.	קראו את מדריך ההוראות	

HE

EGO™ PRO X



CHX5500E

מטען 56 וולט

HE

שاحن 56 فولت

AR

