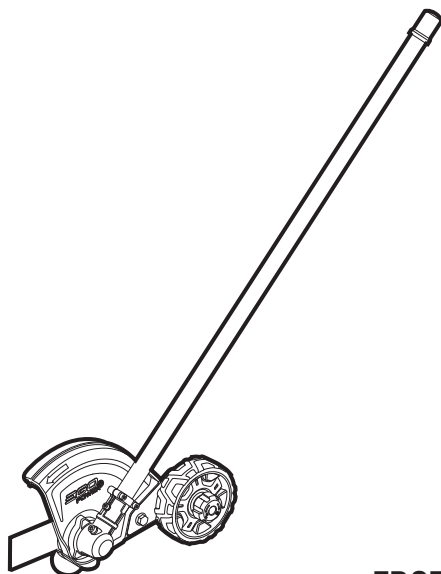


# EGO™

## POWER<sup>+</sup> EDGER ATTACHMENT

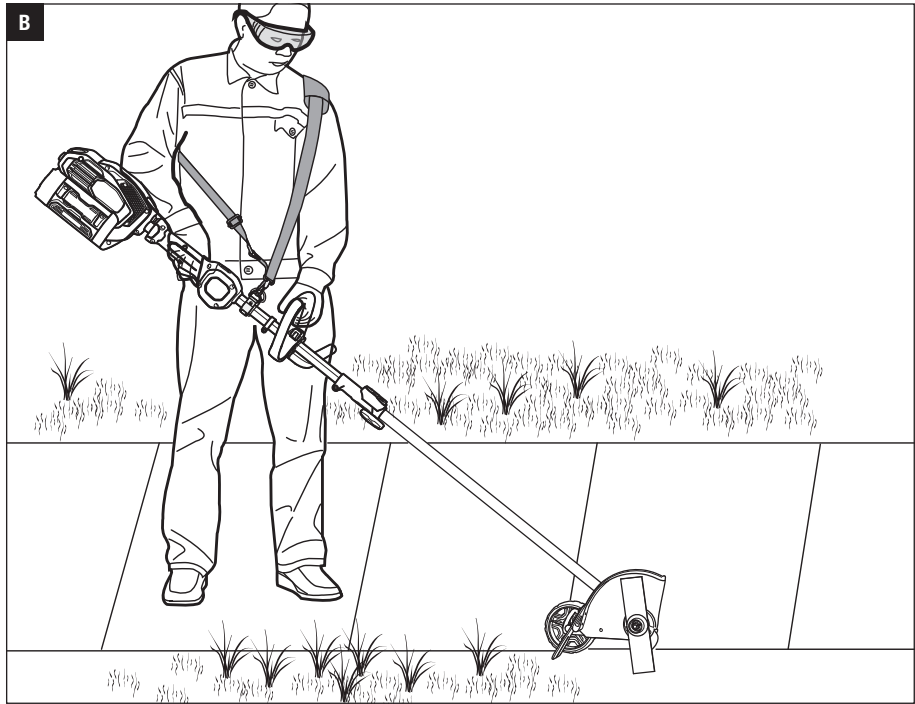
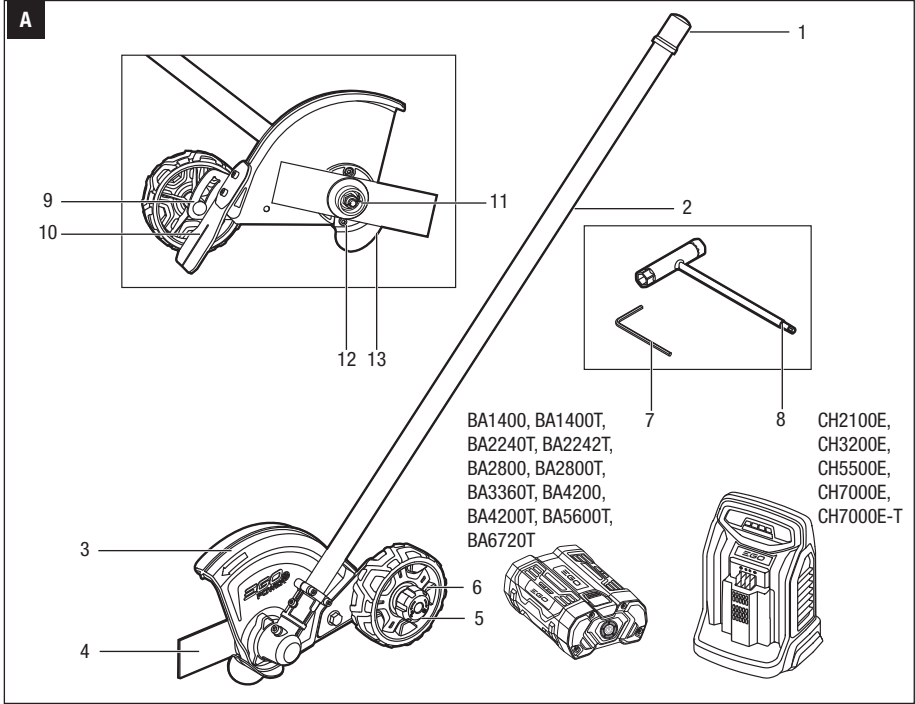


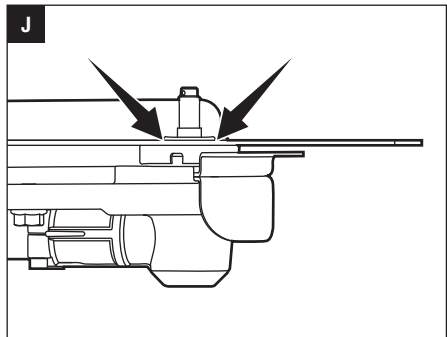
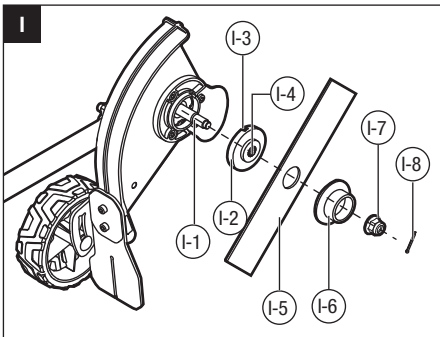
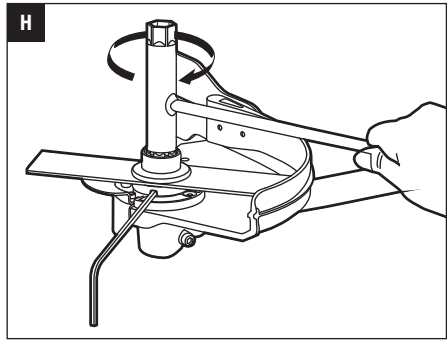
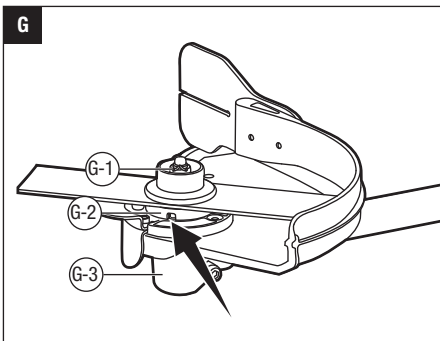
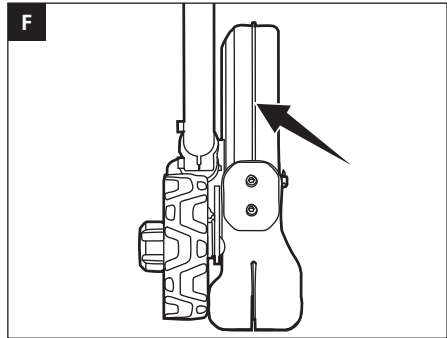
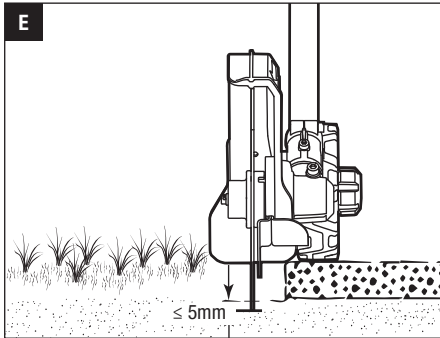
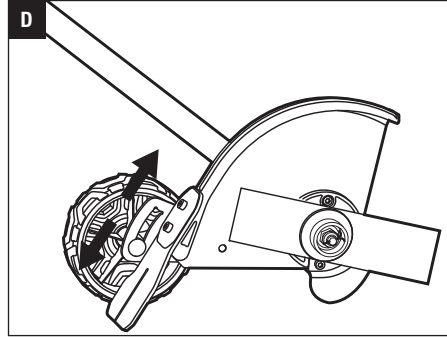
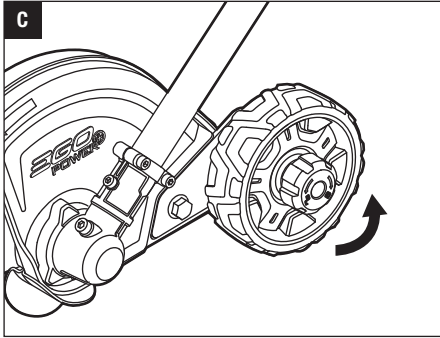
### EA0800

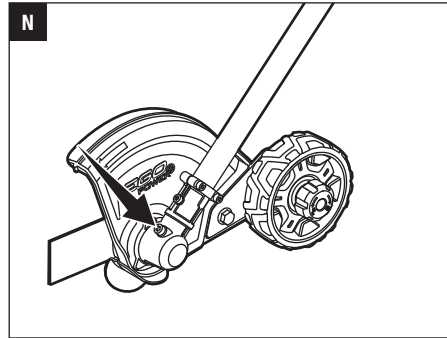
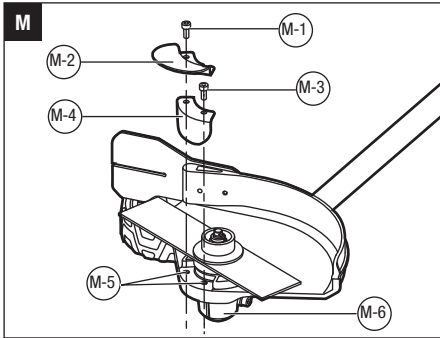
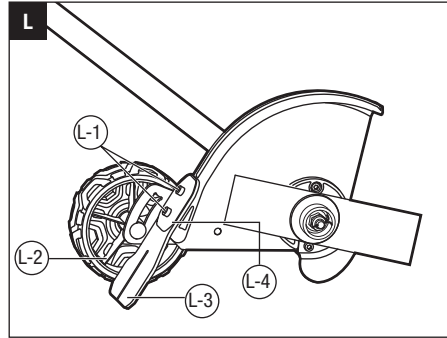
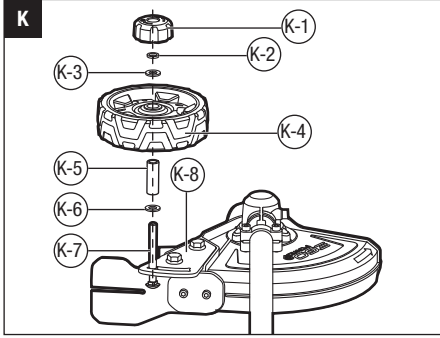
### EDGER ATTACHMENT

FOR USE ONLY WITH THE 56V LITHIUM-ION POWER HEAD PH1400E/PH1420E/PHX1600

EN	Edger attachment	5	RO	Dispozitiv de profilat margini	172
DE	Rasenkantenschneider-aufsatz	14	SL	Obrezovalnik robov	183
FR	Accessoire coupe-bordures	25	LT	Kraštų pjoviklio įtaisas	193
ES	Accesorio para recortar bordes de	36	LV	Armaļu griezēja papildierīce	203
PT	Acessório aparador	47	GR	Προσαρτηµα ακροκοφτη	213
IT	Accessorio bordatore	57	TR	Kenar düzeltme aparatı aksesuari	225
NL	Multitool kantensnijder accessoire	67	ET	Multitööriista servalõikur	235
DK	Kantskærertilbehør	78	UK	Насадка для обрізання кромок	245
SE	Kantskärare-tillbehör	88	BG	Приставка тример за ръбове	256
FI	Reunaleikkurilisäosa	98	HR	Priključak šišača trave	267
NO	Kantskjærer (tilbehør)	108	KA	კიდის-მკრეჭავი მიმადგრემა	277
RU	Инструмент для обрезки кромок	118	SR	Dodatak rubnog trimera	293
PL	Końcówka do wyrównywania brzegów	130	BS	Priključak obrezivača rubova	303
CZ	Nástavec pro ořezávač okrajů trávníků	141	HE	אביזר הקיצוץ	331
SK	Nástavec pre orezávač okrajov trávniká	151	AR	ملحق تسوية الحواف	322
HU	Fűszegélyvágó tartozék	161			







## READ ALL INSTRUCTIONS!



### READ OPERATOR'S MANUAL

**WARNING:** To ensure safety and reliability, all repairs and replacements should be performed by a qualified service technician.

## SAFETY SYMBOLS

The purpose of safety symbols is to attract your attention to possible dangers. The safety symbols and the explanations with them deserve your careful attention and understanding. The symbol warnings do not, by themselves, eliminate any danger. The instructions and warnings they give are no substitutes for proper accident prevention measures.

**WARNING:** Be sure to read and understand all safety instructions in this Operator's Manual, including all safety alert symbols such as **"DANGER," "WARNING,"** and **"CAUTION"** before using this tool. Failure to follow all instructions listed below may result in electric shock, fire, and/or serious personal injury.

## SYMBOL MEANING

**SAFETY ALERT SYMBOL:** Indicates **DANGER, WARNING, OR CAUTION.** May be used in conjunction with other symbols or pictographs.



**WARNING:** The operation of any power tools can result in foreign objects being thrown into your eyes, which can result in severe eye damage. Before beginning power tool operation, always wear safety goggles or safety glasses with side shields and a full face shield when needed. We recommend a Wide Vision Safety Mask for use over eyeglasses or standard safety glasses with side shields.

## SAFETY INSTRUCTIONS

This page depicts and describes safety symbols that may appear on this product. Read, understand, and follow all instructions on the machine before attempting to assemble and operate it.

	Safety Alert	Indicates a potential personal injury hazard.
	Read Operator's Manual	To reduce the risk of injury, user must read and understand operator's manual before using this product.
	Wear Ear and Eye Protection	Always wear ear protection and safety goggles or safety glasses with side shields and a full face shield when operating this product.
	Blade length of edger	Blade length of edger
	Keep Bystanders Away	The distance between the machine and bystanders shall be at least 15 m.
	Direction of Edger Blade Rotation	Indicates the direction of the edger blade rotation.
	Thrown Objects	Edger debris can affect stable footing. Use extreme care when walking in edging area.
	Wear Safety Footwear	Wear non-slip safety footwear when using this equipment.
	Rotating Cutting Blade	Do not put hands or feet near or under rotating parts.
	Keep sufficient distance away from electrical power lines	To prevent electrocution, do not operate within 15m of overhead electrical lines. Contact with or use near power lines may cause serious injury or electric shock resulting in death.
	CE	This product is in accordance with applicable EC directives.
	UKCA	This product is in accordance with applicable UK legislation.
	WEEE	Waste electrical products should not be disposed of with household waste. Take to an authorized recycler.
	Noise	Guaranteed sound power level. Noise emission to the environment according to the European community's Directive.



EN

V	Volt	Voltage
mm	Millimeter	Length or size
cm	Centimeter	Length or size
kg	Kilogram	Weight
	Direct Current	Type or a characteristic of current

### GENERAL MACHINE SAFETY WARNINGS

**⚠ WARNING!** Read all safety warnings, instructions, illustrations and specifications provided with this machine. Failure to follow all instructions listed below may result in electric shock, fire and/or serious injury.

### SAVE ALL WARNINGS AND INSTRUCTIONS FOR FUTURE REFERENCE.

The term “machine” in the warnings refers to your mains-operated (corded) machine or battery-operated (cordless) machine.

### WORK AREA SAFETY

- **Keep work area clean and well lit.** Cluttered or dark areas invite accidents.
- **Do not operate machines in explosive atmospheres, such as in the presence of flammable liquids, gases or dust.** Machines create sparks which may ignite the dust or fumes.
- **Keep children and bystanders away while operating a machine.** Distractions can cause you to lose control.

### ELECTRICAL SAFETY

- **Machine plugs must match the outlet. Never modify the plug in any way. Do not use any adapter plugs with earthed (grounded) machines.** Unmodified plugs and matching outlets will reduce risk of electric shock.
- **Avoid body contact with earthed or grounded surfaces, such as pipes, radiators, ranges and refrigerators.** There is an increased risk of electric shock if your body is earthed or grounded.
- **Do not operate the machine in rain or wet conditions.** Water entering the machine may increase the risk of electric shock or malfunction that could result in personal injury.
- **Do not abuse the cord. Never use the cord for carrying, pulling or unplugging the machine. Keep cord away from heat, oil, sharp edges or moving parts.** Damaged or entangled cords increase the risk of electric shock.

- **When operating a machine outdoors, use an extension cord suitable for outdoor use.** Use of a cord suitable for outdoor use reduces the risk of electric shock.
- **If operating a machine in a damp location is unavoidable, use a ground fault circuit interrupter (GFCI) protected supply.** Use of a GFCI reduces the risk of electric shock.

### PERSONAL SAFETY

- **Stay alert, watch what you are doing and use common sense when operating a machine. Do not use a machine while you are tired or under the influence of drugs, alcohol or medication.** A moment of inattention while operating machines may result in serious personal injury.
- **Use personal protective equipment. Always wear eye protection.** Protective equipment such as a dust mask, non-skid safety shoes, hard hat or hearing protection used for appropriate conditions will reduce personal injuries.
- **Prevent unintentional starting. Ensure the switch is in the off-position before connecting to power source and/or battery pack, picking up or carrying the machine.** Carrying machines with your finger on the switch or energizing machines that have the switch on invites accidents.
- **Remove any adjusting key or wrench before turning the machine on.** A wrench or a key left attached to a rotating part of the machine may result in personal injury.
- **Do not overreach. Keep proper footing and balance at all times.** This enables better control of the machine in unexpected situations.
- **Dress properly. Do not wear loose clothing or jewelry. Keep your hair and clothing away from moving parts.** Loose clothes, jewelry or long hair can be caught in moving parts.
- **If devices are provided for the connection of dust extraction and collection facilities, ensure these are connected and properly used.** Use of dust collection can reduce dust-related hazards.
- **Do not let familiarity gained from frequent use of machines allow you to become complacent and ignore machine safety principles.** A careless action can cause severe injury within a fraction of a second.

### MACHINE USE AND CARE

- **Do not force the machine. Use the correct machine for your application.** The correct machine will do the job better and safer at the rate for which it was designed.

- **Do not use the machine if the switch does not turn it on and off.** Any machine that cannot be controlled with the switch is dangerous and must be repaired.
- **Disconnect the plug from the power source and/or remove the battery pack, if detachable, from the machine before making any adjustments, changing accessories, or storing machines.** Such preventive safety measures reduce the risk of starting the machine accidentally.
- **Store idle machines out of the reach of children and do not allow persons unfamiliar with the machine or these instructions to operate the machine.** Machines are dangerous in the hands of untrained users.
- **Maintain machines and accessories. Check for misalignment or binding of moving parts, breakage of parts and any other condition that may affect the machine's operation. If damaged, have the machine repaired before use.** Many accidents are caused by poorly maintained machines.
- **Keep cutting machines sharp and clean.** Properly maintained cutting machines with sharp cutting edges are less likely to bind and are easier to control.
- **Use the machine, accessories and machine bits etc. in accordance with these instructions, taking into account the working conditions and the work to be performed.** Use of the machine for operations different from those intended could result in a hazardous situation.
- **Keep handles and grasping surfaces dry, clean and free from oil and grease.** Slippery handles and grasping surfaces do not allow for safe handling and control of the machine in unexpected situations.

#### BATTERY MACHINE USE AND CARE

- **Recharge only with the charger specified by the manufacturer.** A charger that is suitable for one type of battery pack may create a risk of fire when used with another battery pack.
- **Use machines only with specifically designated battery packs.** Use of any other battery packs may create a risk of injury and fire.
- **When battery pack is not in use, keep it away from other metal objects, like paper clips, coins, keys, nails, screws or other small metal objects, that can make a connection from one terminal to another.** Shorting the battery terminals together may cause burns or a fire.
- **Under abusive conditions, liquid may be ejected from the battery; avoid contact. If contact accidentally occurs, flush with water. If liquid contacts eyes, additionally seek medical help.** Liquid ejected from the battery may cause irritation

or burns.

- **Do not use a battery pack or machine that is damaged or modified.** Damaged or modified batteries may exhibit unpredictable behavior resulting in fire, explosion or risk of injury.
- **Do not expose a battery pack or machine to fire or excessive temperature.** Exposure to fire or temperature above 130 °C may cause explosion.
- **Follow all charging instructions and do not charge the battery pack or machine outside the temperature range specified in the instructions.** Charging improperly or at temperatures outside the specified range may damage the battery and increase the risk of fire.

#### IMPORTANT SAFETY INSTRUCTIONS

**⚠ WARNING!** When using electric gardening appliances, basic safety precautions should always be followed to reduce the risk of fire, electric shock, and personal injury, including the following:

#### READ CAREFULLY BEFORE USE

#### KEEP FOR FUTURE REFERENCE

**⚠ DANGER!** Do not rely on the tool's insulation against electric shock. To reduce the risk of electrocution, never operate the machine in the vicinity of any wires or cables (power, etc.) which may carry electric current.

**⚠ CAUTION!** Wear appropriate personal hearing protection during use. Under some conditions and durations of use, noise from this product may contribute to hearing loss.

#### Training

- Read the instructions carefully. Be familiar with the controls and the proper use of the equipment.
- Never allow children or people unfamiliar with these instructions to use the edger. Local regulations may restrict the age of the operator.
- Never edge while people, especially children, or pets are nearby.
- Keep in mind that the operator or user is responsible for accidents or hazards occurring to other people or their property.

#### Preparation

- While edging, always wear eye and ear protection, substantial foot wear, and long trousers.
- Thoroughly inspect the surface where the equipment is to be used and remove all stones, sticks, wires, bones and other foreign objects.

- Before using, always visually inspect to see that the blades, blade bolt and cutter assembly are not worn or damaged. Replace worn or damaged blades and bolts in sets to preserve balance.

## Operation

- Edge only in daylight or in good artificial light.
- Always be sure of your footing on slopes.
- Walk, never run.
- Use extreme caution when reversing or pulling the edger toward you.
- Make sure the blade has stopped before crossing surfaces other than grass and when transporting the edger to and from the area to be edged.
- Never operate the edger with defective, missing or incorrectly fitted guards.
- Do not change the motor governor settings or overspeed the motor.
- Start the switch on the motor carefully according to instructions and with feet well away from the blade(s).
- Do not tilt when switching on the motor, unless the edger has to be tilted for starting. In this case, do not tilt it more than absolutely necessary and lift only the part which is away from the operator.
- Do not start the motor when a bystander is standing in front of the blade(s).
- Do not put hands or feet near or under rotating parts.
- Always switch off the motor and disconnect from the battery:
  - 1) Before clearing blockages;
  - 2) Before checking, cleaning or working on the blade(s);
  - 3) After striking a foreign object: Inspect the blade(s) for damage and make repairs before restarting and operating the edger;
  - 4) If edger starts to vibrate abnormally (check immediately).
- Stop the motor whenever you leave the edger;
- Do not charge the battery pack in rain, or in wet locations.
- Use only with battery packs and chargers listed in fig.A
- The battery pack must be removed from the appliance before it is scrapped.
- The battery shall be disposed of safely.
- Do not dispose of the battery in a fire. The cells may explode. Check with local authorities for possible special disposal instructions.
- Do not open or mutilate the battery. Released electrolyte is corrosive and may cause damage to the eyes or skin. It may be toxic if swallowed.

- Exercise care in handling batteries in order not to short the battery with conducting materials such as rings, bracelets, and keys. The battery or conductor may overheat and cause burns.
- Battery tools do not have to be plugged into an electrical outlet; therefore, they are always in operating condition. Be aware of possible hazards even when the tool is not operating. Take care when performing maintenance or service.
- Do not wash with a hose; avoid getting water in motor and electrical connections.

## Maintenance and storage

- Keep all nuts, bolts and screws tight to be sure the equipment is in safe working conditions.
- Replace worn or damaged parts.
- Do not attempt to repair the machine unless you are competent to do so.
- Use only manufacturer-recommended replacement parts and accessories.
- Disconnect the machine from the battery before carrying out maintenance or cleaning work.
- Inspect and maintain the machine regularly. Have the machine repaired only by an authorized repairer.
- When not in use, store the machine out of the reach of children.
- If situations occur that are not covered in this manual, use care and good judgment. Contact the EGO Service Center for assistance.
- Save these instructions. Refer to them frequently and use them to instruct others who may use this tool. If you loan this tool to someone else, also loan these instructions to them to prevent misuse of the product and possible injury.

## SAVE THESE INSTRUCTIONS

**NOTE: SEE YOUR POWER HEAD OPERATOR'S MANUAL FOR ADDITIONAL SPECIFIC SAFETY RULES.**

## SPECIFICATIONS

Blade Length	20 cm
Edging Depth	Up to 75 mm
Weight	2.26 kg
Operating Temperature	-15°C-40°C
Storage Temperature	-20°C-70°C



Measured sound power level $L_{WA}$	92.4 dB(A) K=2.07 dB(A) (PH1400E)	
	90.7 dB(A) K=1.46 dB(A) (PH1420E)	
	90 dB(A) K=1.3 dB(A) (PHX1600)	
Sound pressure level at operator's ear $L_{PA}$	79.8 dB(A) K=3 dB(A) (PH1400E)	
	81.2 dB(A) K=3 dB(A) (PH1420E)	
	84 dB(A) K=3 dB(A) (PHX1600)	
Guaranteed sound power level $L_{WA}$ (according to 2000/14/EC)	95 dB(A)	
Vibration $a_h$	Front-assist Handle	1.2 m/s <sup>2</sup> K=1.5 m/s <sup>2</sup> (PH1400E)
		1.95 m/s <sup>2</sup> K=1.5 m/s <sup>2</sup> (PH1420E)
		1.6 m/s <sup>2</sup> K=1.5 m/s <sup>2</sup> (PHX1600)
	Rear Handle	2.2 m/s <sup>2</sup> K=1.5 m/s <sup>2</sup> (PH1400E)
		1.66 m/s <sup>2</sup> K=1.5 m/s <sup>2</sup> (PH1420E)
		1.53 m/s <sup>2</sup> K=1.5 m/s <sup>2</sup> (PHX1600)

- The above parameters are tested and measured equipped with power head PH1400E/PH1420E/PHX1600;
- The declared vibration total value has been measured in accordance with a standard test method and may be used for comparing one tool with another;
- The declared vibration total value may also be used in a preliminary assessment of exposure.

**NOTICE:** The vibration emission during actual use of the power tool can differ from the declared value in which the tool is used; In order to protect the operator, user should

wear gloves and ear protectors in the actual conditions of use.

## PACKING LIST

PART NAME	QUANTITY
Edger Attachment	1
Hex Wrench	1
Multi-Functional Wrench	1
Cotter Pin	2
Operator's Manual	1

## Recommended Blade

PART NAME	MODEL NUMBER
Edger Blade	AEB0800

## DESCRIPTION

### KNOW YOUR EDGER ATTACHMENT (Fig.A)

1. End Cap
2. Edger Shaft
3. Blade Guard
4. Blade
5. Depth Adjusting Knob
6. Guide Wheel
7. Hex Wrench
8. Multi-Functional Wrench
9. Depth Adjusting Guide Bar
10. Debris Flap
11. Cotter Pin
12. Screw to lock guide plate in place
13. Guide Plate

## ASSEMBLY

**⚠ WARNING:** If any parts are damaged or missing, do not operate this product until the parts are replaced. Use of this product with damaged or missing parts could result in serious personal injury.

**⚠ WARNING:** Do not attempt to modify this product or create accessories not recommended for use with this edger. Any such alteration or modification is misuse and could result in a hazardous condition leading to possibly serious personal injury.

**⚠ WARNING:** To prevent accidental starting that could cause serious personal injury, always remove the battery pack from the machine when assembling parts.

**⚠ WARNING:** Always wear gloves when mounting or replacing the guard. Take care of the blade on the guard and protect your hand from cutting.

**⚠ WARNING:** Never operate the machine without the guard firmly in place. The guard must always be on the machine to protect the user! When the guard is fixed, never attempt to remove or adjust the guard, if a replacement is needed, it should be performed by a qualified service technician!

## CONNECTING THE EDGER ATTACHMENT TO THE POWER HEAD

This edger attachment is designed for use with EGO 56V Lithium-ion Power Head PH1400E/PH1420E/PHX1600.

See “**INSTALLING AN ATTACHMENT TO THE POWER HEAD**” section in the power head PH1400E/PH1420E/PHX1600 operator’s manual.

## OPERATION

**⚠ WARNING:** Do not allow familiarity with this product to make you careless. Remember that a careless fraction of a second is sufficient to inflict serious injury.

**⚠ WARNING:** Always wear eye protection, along with hearing protection. Failure to do so could result in objects being thrown into your eyes and other possible serious injuries.

## APPLICATIONS

You may use this product for the purpose listed below:

- Edging around walkways, curbing, flower beds and other similar areas.

**NOTICE:** The tool is to be used only for its prescribed purpose. Any other use is deemed to be a case of misuse.

## Before each use check for damaged/worn parts

Check the blade, guard and front-assist handle and replace any parts that are cracked, warped, bent, or damaged in any way.

**⚠ WARNING:** To prevent serious personal injury, remove the battery pack from the tool before servicing, cleaning, changing attachments or removing material from the unit.

## USING THE EDGER ATTACHMENT WITH POWER HEAD

**⚠ WARNING:** Dress properly to reduce the risk of injury when operating this tool. Do not wear loose clothing or jewelry. Wear eye and ear/hearing protection. Wear

heavy, long pants, boots and gloves. Do not wear short pants or sandals or go barefoot. Wear a face mask or dust mask in dusty locations.

**⚠ WARNING:** Clear away all obstacles and solid objects from the work area.

For safe and better operation, put on the shoulder strap across the shoulder. Adjust the shoulder strap in a comfortable operating position.

Hold the edger with your right hand on the rear handle and your left hand on the front-assist handle. Keep a firm grip with both hands while operating the tool. The edger should be held at a comfortable position with the rear handle about hip height (Fig. B).

**⚠ WARNING:** The shoulder strap is also a quick release mechanism in hazardous situation. When emergency occurs, take it off from your shoulder immediately, no matter what way the strap is in.

## After each use, clean the edger

See the MAINTENANCE section for cleaning instructions.

## ADJUSTING DEPTH OF CUT

1. Stop the motor and remove the battery pack.
2. Loosen the depth-adjusting knob in the direction of the unlocking arrow marked on the knob (Fig. C).
3. Move the guide wheel, along the depth-adjusting guide bar, up to increase the depth of cut or down to decrease the depth (Fig. D).
4. Adjust the guide wheel so that the blade just touches the ground or breaks the surface of the soil by no more than 5mm (Fig. E) and then tighten it securely.
5. Standing in the normal working position, check the depth of cut again and correct it if necessary.

## TO START/STOP THE TOOL

See “**STARTING/STOPPING THE POWER HEAD**” section in the power head PH1400E/PH1420E/PHX1600 operator’s manual.

## OPERATING TIPS

- Hold and guide the power head so that the blade is vertical. Use the sight line to line the blade up with the edge of the bed (Fig. F).
- Operate at no more than a normal walking pace. If the blade begins to bog down, you are edging too fast; slow your pace.
- Always walk forwards when cutting and move the edger forward. Do not pull the edger towards you.
- Do not force the blade into the ground. Light contact of the blade against the sidewalk edge, curb, etc., is

acceptable and will not damage the edger.

- Best results are obtained when grass is dry. Avoid edging in wet soil or wet grass areas or the blade guard might clog and result in an uneven edge. If the blade guard becomes clogged, stop the motor, remove the battery pack, and remove debris from the blade guard.

## MAINTENANCE

**⚠ WARNING:** Before inspecting, cleaning or servicing the unit, stop the motor, wait for all moving parts to stop, and remove the battery pack. Failure to follow these instructions can result in serious personal injury or property damage.

**⚠ WARNING:** When servicing, use only identical replacement parts. Use of any other parts can create a hazard or cause product damage. To ensure safety and reliability, all repairs, other than the items listed in these maintenance instructions, should be performed by a qualified service technician.

### GENERAL MAINTENANCE

Avoid using solvents when cleaning plastic parts. Most plastics are susceptible to damage from various types of commercial solvents and may be damaged by their use. Use clean cloths to remove dirt, dust, oil, grease, etc.

### CLEAN THE UNIT

- After each use, clean the debris, clogged soils or grass on the blade and guard with a soft brush. Wipe the edger surface with a clean cloth moistened with a mild soap solution.
- Use a small brush or a small vacuum cleaner to clean the air vents on the rear housing.

**NOTICE:** Do not use any strong detergents on the plastic housing or the handle. They can be damaged by certain aromatic oils such as pine and lemon.

### REPLACING THE BLADE

**⚠ WARNING:** Do not attempt to straighten or weld a bent or cracked blade-it may break-it must be replaced. Recommend replace only with EGO edger blade, see “**Recommended Blade**” section.

**NOTICE:** Replace the blade if its length is no longer sufficient to maintain the necessary ground clearance and obtain the required depth of cut.

**⚠ WARNING:** Always protect your hands by wearing heavy gloves or wrapping the blade with rags or other materials when performing any maintenance on the edger blade.

### Removing the blade

1. Stop the motor and remove the battery pack.
2. Lay the edger on its back so that the blade is facing upwards.
3. Wear protective gloves. Use a needle nose pliers (not included) to remove the cotter pin from the motor shaft (Fig. G).
4. Rotate the blade to align the slot in the flange with the hole in the gear case (Fig. G).

Fig. G parts description see below:

G-1	Cotter Pin
G-2	Inner Flange
G-3	Gear Case

5. Insert the hex wrench provided into the aligned holes to act as a stabilizer. Use the multi-functional wrench provided to loosen the nut **CLOCKWISE** (Fig. H).
6. Remove the nut, outer flange, blade and the inner flange from the motor shaft (Fig. I). Check and replace them if they are worn.

Fig. I parts description see below:

I-1	Motor Shaft	I-5	Blade
I-2	Inner Flange	I-6	Outer Flange
I-3	Slot in the Inner Flange	I-7	Nut
I-4	Bulge on the Inner Flange	I-8	Cotter Pin

### Installing the blade

1. Position the inner flange onto the motor shaft with bulge facing outwards (Fig. I).
2. Install the new blade onto the inner flange, ensuring that the blade is mounted into its place securely (Fig. J).
3. Mount the outer flange and the nut onto the shaft, and pre-tighten the nut **COUNTERCLOCKWISE** by hand.
4. Follow the above step 4 & 5 in “Removing the blade” to stabilize the blade to securely tighten the nut in **COUNTERCLOCKWISE**.
5. Insert a new cotter pin supplied into the hole in the motor shaft. Bent the two feet of the pin in opposite directions with a needle nose pliers (not included) (Fig. G).

### REPLACING THE GUIDE WHEEL

1. Stop the motor and remove the battery pack.
2. Lay the edger on its back so that the guide wheel is facing upwards.
3. Loosen the depth-adjusting knob in the direction of the unlocking arrow marked on the knob and removing it.

- Remove the spring washer, plain washer 1, guide wheel, bushing and plain washer 2 from the screw pole (Fig. K). Check and replace them if they are worn.
- Mount the screw pole through the depth-adjusting guide bar first, and then mount the plain washer 2, bushing and new wheel, then mount the plain washer 1, spring washer and depth-adjusting knob onto the screw pole in the sequence shown in Fig. K.

Fig. K parts description see below:

K-1	Depth Adjusting Knob	K-5	Bushing
K-2	Spring Washer	K-6	Plain Washer 2
K-3	Plain Washer 1	K-7	Screw Pole
K-4	Guide Wheel	K-8	Depth Adjusting Guide Bar

**NOTICE:** The guide wheel should be mounted with its flat ribs facing inwards (Fig. L).

Fig. L parts description see below:

L-1	Screws	L-3	Debris Flap
L-2	Flat Rib	L-4	Fixing Board

- Lock the depth-adjusting knob.

### REPLACING THE DEBRIS FLAP (Fig. L)

- Stop the motor and remove the battery pack.
- Use the hex wrench provided to loosen the two screws.
- Remove the screws, fixing board and worn debris flap.
- Replace with a new debris flap and lock it with the fixing board and the two screws.

### CHECKING AND REPLACING THE ANTI-WEAR PROTECTIVE GUARD/GUIDE PLATE (Fig. M)

Check the anti-wear protective guard and the guide plate for damage before starting the power tool. The anti-wear protective guard must be replaced as soon as the gear case becomes visible.

**NOTICE:** The gear case may be seriously damaged if you do not replace the anti-wear protective guard as soon as the gear case is visible.

- Stop the motor and remove the battery pack.
- Wear protective gloves. Rotate the blade as necessary to expose the two screws.
- Use the hex wrench provided to loosen the two screws and remove them.

**NOTICE:** If you just need to replace the guide plate, loosen and remove just the screw 1.

- Replace the deformed or worn anti-wear protective guard/guide plate.
- Assemble the new anti-wear protective guard and guide plate onto the gear case and lock them with the two screws.

Fig. M parts description see below:

M-1	Screw 1	M-4	Anti-wear Protective Guard
M-2	Guide Plate	M-5	Mounting Holes
M-3	Screw 2	M-6	Gear Case

### REMOVING THE GUIDE PLATE

If you are experienced with this type of edger, or if you find that the guide plate is a hindrance in your edging operation, you may remove the guide plate.

- Loosen and remove screw 1.
- Remove the guide plate.
- Replace and tighten screw 1.

### TRANSMISSION GEARS LUBRICATION

The transmission gears in the gear case need be lubricated periodically with gear grease. Check the gear case grease level about every 50 hours of operation by removing the sealing screw on the side of the case.

If no grease can be seen on the sides of the gear, follow the steps below to fill with gear grease up to 3/4 capacity.

Do not completely fill the transmission gears.

- Position the edger upright so that the sealing screw is facing upwards (Fig. N).
- Use the multi-functional wrench provided to loosen and remove the sealing screw. Use a grease syringe (not included) to inject some grease into the screw hole; do not exceed 3/4 capacity.
- Tighten the sealing screw after injection.

### STORING THE UNIT

- Remove the battery pack from the edger
- Clean the tool thoroughly before storing it.
- If the edger attachment is removed from the power head and stored separately, fit the end cap on the attachment shaft to avoid dirt getting into the coupler.
- Store the unit in a dry, well-ventilated area, locked-up or up high, out of the reach of children. Do not store the unit on or adjacent to fertilizers, gasoline, or other chemicals.

### Protecting the environment



Do not dispose of electrical equipment, used battery and charger into household waste! Take this product to an authorized recycler and make it available for separate collection. Electric machines must be returned to an environmentally compatible recycling facility.

## TROUBLE SHOOTING

EN

PROBLEM	CAUSE	SOLUTION
Motor fails to start.	<ul style="list-style-type: none"> <li>■ The battery pack is not attached to the power head.</li> <li>■ No electrical contact between the power head and the battery pack.</li> <li>■ The battery pack is depleted.</li> <li>■ The lock-off button and trigger are not depressed simultaneously.</li> </ul>	<ul style="list-style-type: none"> <li>■ Attach the battery pack to the power head.</li> <li>■ Remove the battery, check contacts and reinstall the battery pack until it snaps into place.</li> <li>■ Charge the battery pack with EGO chargers listed in this manual.</li> <li>■ Press down the lock-off button and hold it, then depress the trigger to turn on the power head.</li> </ul>
Power head stops during operation.	<ul style="list-style-type: none"> <li>■ The motor is overloaded.</li> <li>■ The battery pack or the power head is too hot.</li> <li>■ The battery pack is disconnected from the tool.</li> <li>■ The battery pack is depleted.</li> </ul>	<ul style="list-style-type: none"> <li>■ The motor will recover when the load is removed. For continuous working, decrease the load of the power head.</li> <li>■ Allow the battery pack or power head to cool until the temperature drops below 67°C.</li> <li>■ Re-install the battery pack.</li> <li>■ Charge the battery pack with EGO chargers listed in this manual.</li> </ul>
Uneven edge	<ul style="list-style-type: none"> <li>■ Grass or soil edged is too wet.</li> <li>■ Blade guard is clogged.</li> </ul>	<ul style="list-style-type: none"> <li>■ Avoid edging in wet soil or wet grass.</li> <li>■ Stop the motor, remove the battery pack, and remove debris from the blade guard.</li> </ul>

## WARRANTY

### EGO WARRANTY POLICY

Please visit the website [egopowerplus.eu](http://egopowerplus.eu) for full terms and conditions of the EGO Warranty policy.

## LESEN SIE ALLE ANWEISUNGEN!



### LESEN SIE DIE BETRIEBSANLEITUNG

**⚠️ WARNUNG:** Um die Sicherheit und Zuverlässigkeit zu gewährleisten, sollten alle Reparaturen und der Austausch von Teilen nur von qualifizierten Servicetechnikern durchgeführt werden.

## SICHERHEITSSYMBOL

Der Zweck von Warnsymbolen besteht darin, Ihre Aufmerksamkeit auf mögliche Gefahren zu lenken. Die Warnsymbole und deren Erklärungen verdienen Ihre vollste Aufmerksamkeit und Beachtung.

Durch die Warnsymbole allein sind die Gefahren noch nicht ausgeschaltet. Die Anweisungen und Warnhinweise stellen keinen Ersatz für angemessene Unfallverhütungsmaßnahmen dar.

**⚠️ WARNUNG:** Achten Sie darauf, dass Sie, bevor Sie das Gerät benutzen, alle Sicherheitsanweisungen dieser Bedienungsanleitung gelesen und verstanden haben, einschließlich aller Gefahrenzeichen wie „**VORSICHT**“, „**WARNUNG**“ und „**ACHTUNG**“. Die Nichtbeachtung der unten angeführten Anweisungen kann zu Stromschlägen, Feuer und/oder schweren Personenschäden führen.

### SYMBOLBEDEUTUNG

**⚠️ SYMBOL FÜR SICHERHEITSWARNUNGEN:** Weist auf GEFAHR, eine WARNUNG oder VORSICHT hin. Kann zusammen mit anderen Symbolen oder Bildern verwendet werden.



**⚠️ WARNUNG:** Die Bedienung von Elektrogeräten kann dazu führen, dass Fremdkörper in Ihre Augen geschleudert werden und Sie dadurch schwerwiegende Augenschäden davontragen. Tragen Sie immer eine Schutzbrille, wenn möglich mit Seitenschutz, oder, falls nötig, einen vollen Gesichtsschutz, bevor Sie Arbeiten mit dem Elektrowerkzeug verrichten. Wir empfehlen Ihnen, einen Gesichtsschutz über Ihrer eigenen Brille oder eine herkömmliche Schutzbrille mit Seitenschutz zu tragen.

## SICHERHEITSHINWEISE

Diese Seite zeigt und beschreibt die Sicherheitssymbole, die auf diesem Produkt erscheinen können. Lesen, verstehen und befolgen Sie die Anleitungen auf der Maschine, bevor Sie versuchen, die Maschine

zusammenzubauen oder zu bedienen.

	Sicherheitswarnung	Weist auf mögliche Verletzungsgefahr hin.
	Lesen Sie die Bedienungsanleitung	Um das Verletzungsrisiko zu verringern, muss der Benutzer die Bedienungsanleitung vor der Benutzung des Gerätes gelesen und verstanden haben.
	Tragen Sie Hör- und Augenschutz	Tragen Sie immer eine Schutzbrille, möglichst mit Seitenschutz, und einen Gesichtsschutz, wenn Sie das Gerät bedienen.
	Klingenlänge des Kantenschneiders	Klingenlänge des Kantenschneiders
	Unbefugte Personen fernhalten	Zwischen dem Gerät und Passanten muss ein Abstand von mindestens 15 m eingehalten werden.
	Drehrichtung des Kantenschneidmessers	Gibt die Drehrichtung des Kantenschneidmessers an.
	Weg geschleuderte Objekte	Untersuchen Sie gründlich die Fläche, auf der Sie das Gerät einsetzen möchten, und entfernen Sie alle Steine, Stöcke, Drähte, Knochen und andere Fremdkörper.
	Tragen Sie Sicherheitsschuhe	Tragen Sie beim Gebrauch dieses Gerätes rutschfeste Sicherheitsschuhe.
	Drehendes Messer	Reichen Sie mit den Händen oder Füßen nicht in die Nähe oder unter die rotierenden Teile.
	Vor Regen schützen	Nicht im Regen verwenden oder bei Regen im Freien liegen lassen.
	CE	Dieses Produkt erfüllt die anwendbaren EG-Richtlinien.
	UKCA	Dieses Produkt entspricht den geltenden Vorschriften des Vereinigten Königreichs.
	WEEE	Elektro- und Elektronik-Altgeräte dürfen nicht im Hausmüll entsorgt werden. Bringen Sie das Gerät zu einem zugelassenen Recyclinghof.

	Geräusch	Garantierter Schallleistungspegel. Geräuschemission an die Umgebung gemäß Richtlinie der Europäischen Gemeinschaft.
V	Volt	Spannung
mm	Millimeter	Länge oder Größe
cm	Zentimeter	Länge oder Größe
kg	Kilogramm	Gewicht
	Gleichstrom	Art oder Eigenschaft der Stromzufuhr

### ALLGEMEINE WARNUNGEN ZUR MASCHINENSICHERHEIT

**⚠️ WARNUNG:** Beachten Sie alle Sicherheitshinweise, Anweisungen, Abbildungen und technischen Daten, die diesem Gerät beiliegen. Die Nichtbeachtung der unten aufgeführten Anweisungen kann zu Stromschlägen, Bränden und/oder schweren Verletzungen führen.

### BEWAHREN SIE ALLE WARNHINWEISE UND BEDIENUNGSANWEISUNGEN FÜR NACHSCHLAGEZWECKE AUF.

Der Begriff „Gerät“ in den Warnhinweisen bezieht sich auf netzbetriebene (kabelgebundene) oder akkubetriebene (kabellose) Geräte.

### SICHERHEIT IM ARBEITSBEREICH

- Halten Sie den Arbeitsbereich stets sauber und gut beleuchtet. Unaufgeräumte oder dunkle Bereiche können Unfälle provozieren.
- Das Gerät darf nicht in einer explosionsgefährdeten Atmosphäre eingesetzt werden, wie z.B. in der Nähe zündfähiger Flüssigkeiten, Gase oder Stäube. Geräte erzeugen Funken, die Stäube oder Dämpfe entzünden können.
- Halten Sie Kinder und Schaulustige während des Gerätebetriebs fern. Ablenkungen können dazu führen, dass Sie die Kontrolle verlieren.

### ELEKTRISCHE SICHERHEIT

- Der Netzstecker des Geräts muss in die Steckdose passen. Der Netzstecker darf unter keinen Umständen modifiziert werden. Keine Adapterstecker an geerdeten Geräten benutzen. Nicht modifizierte Stecker und passende Steckdosen reduzieren die Stromschlaggefahr.

- Vermeiden Sie den Körperkontakt zu geerdeten Flächen wie zum Beispiel Rohrleitungen, Heizkörpern, Herden und Kühlschränken. Es besteht erhöhte Stromschlaggefahr, wenn Ihr Körper geerdet ist.
- Betreiben Sie das Gerät nicht bei Regen oder Nässe. Wasser, das in die Maschine eindringt, kann das Risiko eines Stromschlags oder einer Fehlfunktion erhöhen, die zu Verletzungen führen kann.
- Das Netzkabel darf nicht zweckentfremdet werden. Das Netzkabel darf nicht zum Tragen, Ziehen oder Herausziehen des Elektrowerkzeugs aus der Steckdose verwendet werden. Das Netzkabel muss vor Hitze, Öl, scharfen Kanten oder beweglichen Teilen ferngehalten werden. Durch beschädigte oder verknottete Kabel besteht erhöhte Stromschlaggefahr.
- Bei Gerätebetrieb im Freien muss ein für den Außeneinsatz geeignetes Verlängerungskabel verwendet werden. Die Stromschlaggefahr verringert sich bei Gebrauch eines Netzkabels, das für den Einsatz im Freien geeignet ist.
- Wenn sich der Einsatz des Geräts an einem feuchten Ort nicht vermeiden lässt, benutzen Sie eine Steckdose, die mit einem FI-Schalter gesichert ist. Die Verwendung einer Fehlerstromschutzeinrichtung reduziert die Stromschlaggefahr.

### PERSÖNLICHE SICHERHEIT

- Seien Sie wachsam, geben Sie darauf Acht, was Sie tun, und benutzen Sie Ihren gesunden Menschenverstand beim Betrieb eines Geräts. Benutzen Sie die Maschine nicht, wenn Sie müde sind oder unter dem Einfluss von Drogen, Alkohol oder Medikamenten stehen. Ein Moment der Unachtsamkeit kann beim Gerätebetrieb zu ernsthaften Verletzungen führen.
- Tragen Sie eine persönliche Schutzausrüstung. Tragen Sie immer einen Augenschutz. Durch eine für die jeweiligen Bedingungen geeignete Schutzausrüstung wie etwa eine Staubschutzmaske, rutschfeste Schuhe, Helm oder Gehörschutz lässt sich die Verletzungsgefahr verringern.
- Ungewollten Anlauf verhindern. Vor dem Anschließen an eine Steckdose und/oder einen Akku sowie vor dem Aufnehmen oder Transportieren des Geräts immer kontrollieren, ob der Hauptschalter in ausgeschalteter Position ist. Unfälle sind vorprogrammiert, wenn Sie Geräte mit einem Finger am Hauptschalter tragen oder Elektrowerkzeuge mit aktiviertem Hauptschalter an eine Steckdose anschließen.
- Ziehen Sie vor dem Einschalten des Geräts Einstellschlüssel oder Schraubenschlüssel ab. Wird

ein Schraubenschlüssel oder Schlüssel am rotierenden Geräteteil gelassen, besteht Verletzungsgefahr.

- **Nicht überstrecken. Achten Sie stets auf einen festen Stand und halten Sie das Gleichgewicht.** Dies ermöglicht in unerwarteten Situationen eine bessere Kontrolle über das Gerät.
- **Tragen Sie angemessene Kleidung. Tragen Sie keine weite Kleidung oder Schmuck. Halten Sie Ihr Haar und Ihre Kleidung von den beweglichen Teilen fern.** Weite Kleidung, Schmuck oder langes Haar können sich in den beweglichen Teilen verfangen.
- **Wenn Komponenten zum Anschluss an eine Absauganlage und an Auffangvorrichtungen mitgeliefert werden, achten Sie darauf, dass diese ordnungsgemäß befestigt und benutzt werden.** Die Verwendung einer Staubauffangvorrichtung kann Gefahren durch Staub reduzieren.
- **Auch wenn Sie sich wegen des häufigen Gebrauchs mit dem Gerät auskennen, sollten Sie sich nicht zu einer gewissen Nachlässigkeit verleiten und die Grundsätze der Maschinsicherheit außer Acht lassen.** Eine fahrlässige Handlung kann bereits im Bruchteil einer Sekunde zu schweren Verletzungen führen.

## MASCHINENGEBRAUCH UND PFLEGE

- **Nicht zu viel Druck auf das Gerät ausüben. Stets das richtige Gerät für die jeweiligen Arbeiten benutzen.** Durch das passende Gerät lassen sich die Arbeiten besser und sicherer in dem jeweils vorgesehenen Tempo erledigen.
  - **Verwenden Sie das Gerät nicht, wenn es sich mit dem Schalter weder ein- noch ausschalten lässt.** Ein Gerät, das sich nicht mehr ein- oder ausschalten lässt, ist gefährlich und muss repariert werden.
  - **Ziehen Sie den Netzstecker aus der Steckdose bzw. nehmen Sie den Akku vom Gerät ab, sofern dies möglich ist, bevor Sie Einstellungen vornehmen, das Zubehör wechseln oder das Gerät verstauen.** Diese vorbeugenden Sicherheitsmaßnahmen verringern das Risiko eines unbeabsichtigten Anlaufs.
  - **Unbenutzte Geräte sollten nicht in Reichweite von Kindern aufbewahrt werden. Personen, die das Gerät oder diese Anleitung nicht kennen, sollte die Benutzung des Geräts untersagt werden.** In den Händen ungeschulter Benutzer sind Geräte gefährlich.
  - **Wartung von Geräten und Zubehör. Achten Sie auf falsch ausgerichtete oder fest sitzende Teile, Bruchstellen und sonstige Umstände, die den Gerätebetrieb beeinträchtigen können. Lassen Sie das Gerät bei Beschädigung vor dem Gebrauch reparieren.** Viele Unfälle entstehen durch schlecht gewartete Geräte.
  - **Halten Sie Schneidegeräte scharf und sauber.**
- Sachgemäß gewartete Schneidegeräte mit scharfen Schneiden neigen weniger zum Festfahren und sind leichter zu kontrollieren.
- **Benutzen Sie das Gerät, Zubehör, Geräteteile usw. gemäß diesen Anweisungen und berücksichtigen Sie dabei die Arbeitsbedingungen und die auszuführenden Arbeiten.** Die Verwendung der Maschine für andere als die vorgesehenen Arbeiten kann zu einer gefährlichen Situation führen.
  - **Halten Sie die Griffe und Griffflächen trocken, sauber und frei von Öl und Fett.** Rutschige Griffe und Griffflächen beeinträchtigen die sichere Handhabung des Geräts und führen in unerwarteten Situationen zum Verlust der Kontrolle über das Gerät.

## BENUTZUNG UND WARTUNG DES AKKUS

- **Laden Sie den Akku nur mit dem vom Hersteller vorgegebenen Ladegerät auf.** Ein Ladegerät, das für einen bestimmten Akkutyp geeignet ist, kann bei der Benutzung eines anderen Akkus zu einer Brandgefahr werden.
- **Verwenden Sie das Gerät nur mit den eigens dafür vorgesehenen Akkus.** Bei Verwendung anderer Akkus besteht Verletzungs- und Brandgefahr.
- **Wenn der Akku nicht benutzt wird, halten Sie ihn von anderen metallischen Gegenständen fern, wie etwa Büroklammern, Münzen, Schlüssel, Nägel, Schrauben oder anderen kleinen Metallgegenständen, die eine Verbindung zwischen den Polen herstellen können.** Das Kurzschließen der Pole kann Verbrennungen oder Brände verursachen.
- **Bei unsachgemäßer Anwendung kann Flüssigkeit aus dem Akku austreten; Kontakt vermeiden. Falls Sie versehentlich mit Akkusäure in Berührung gekommen sind, spülen Sie mit Wasser. Falls Akkusäure in die Augen geraten ist, suchen Sie zudem einen Arzt auf.** Aus dem Akku austretende Flüssigkeit kann Reizungen oder Verätzungen verursachen.
- **Benutzen Sie keine beschädigten oder modifizierten Akkus oder Geräte.** Beschädigte oder modifizierte Akkus können sich unvorhergesehen verhalten und einen Brand, eine Explosion oder eine Verletzung hervorrufen.
- **Akkus oder Geräte vor Feuer oder extremen Temperaturen schützen.** Brände oder Temperaturen über 130 °C können eine Explosion verursachen.
- **Befolgen Sie alle Ladeanweisungen und laden Sie den Akku oder das Gerät nicht außerhalb des Temperaturbereichs auf, der in der Anleitung angegeben ist.** Das unsachgemäße Aufladen oder Laden außerhalb des angegebenen Temperaturbereichs kann den Akku beschädigen und die Brandgefahr erhöhen.



## WICHTIGE SICHERHEITSHINWEISE

**⚠️ WARNUNG:** Beim Gebrauch von elektrischen Schneidegeräten sollten stets grundlegende Sicherheitsvorkehrungen beachtet werden, um das Risiko eines Brandes, Stromschlags und von Verletzungen zu reduzieren, darunter die folgenden:

### AUFMERKSAM VOR DEM GEBRAUCH LESEN ZUM

### NACHSCHLAGEN AUFBEWAHREN

**⚠️ VORSICHT:** Verlassen Sie sich nicht auf die Isolierung des Werkzeugs gegen Stromschlag. Zur Vermeidung des Stromschlagrisikos darf das Gerät nicht in unmittelbarer Nähe von Leitungen oder Kabeln (Strom etc.) eingesetzt werden, die Strom führen.

**⚠️ VORSICHT:** Tragen Sie während des Gebrauchs einen angemessenen Gehörschutz. Unter bestimmten Bedingungen und bei längerem Gebrauch kann der Lärm, den dieses Gerät erzeugt, zum Hörverlust beitragen.

### Schulung

- Lesen Sie die Anweisungen aufmerksam. Machen Sie sich mit den Bedienelementen und der richtigen Handhabung des Gerätes vertraut.
- Kindern sowie allen Personen, denen die vorliegenden Anweisungen nicht bekannt sind, muss die Nutzung des Geräts untersagt werden. Für das Mindestalter des Benutzers gelten örtliche Vorschriften.
- Betreiben Sie den Kantenschneider niemals, solange sich noch Personen, insbesondere Kinder oder Haustiere; in der Nähe aufhalten.
- Beachten Sie, dass für Unfälle, Personen- oder Sachschäden Dritter der Bediener oder Nutzer des Geräts verantwortlich ist.

### Vorbereitung

- Tragen Sie beim Kantenschneiden immer Augen- und Gehörschutz, feste Schuhe und eine lange Hose.
- Untersuchen Sie gründlich die Fläche, auf der Sie das Gerät einsetzen möchten, und entfernen Sie alle Steine, Stöcke, Drähte, Knochen und andere Fremdkörper.
- Führen Sie vor der Benutzung immer eine Sichtprüfung durch, um sicherzustellen, dass die Messer, die Messerschraube und die Schneidvorrichtung nicht abgenutzt oder beschädigt sind. Tauschen Sie abgenutzte oder beschädigte Messer und Schrauben immer komplett im Satz aus, um die Auswuchtung beizubehalten.

### Bedienung

- Verwenden Sie den Kantenschneider nur bei Tageslicht oder gutem künstlichem Licht.
- Achten Sie an Hängen immer auf einen festen Stand.
- Nur gehen, niemals rennen.
- Seien Sie besonders vorsichtig, wenn Sie rückwärts schneiden oder den Kantenschneider zu sich heranziehen.
- Vergewissern Sie sich, dass sich das Messer nicht mehr dreht, bevor Sie Flächen ohne Gras überqueren und wenn Sie den Kantenschneider hin- und hertragen.
- Betreiben Sie den Kantenschneider auf keinen Fall mit defekten, fehlenden oder falsch montierten Schutzabdeckungen.
- Ändern Sie die Drehzahleinstellungen des Motors nicht und überdrehen Sie den Motor nicht.
- Starten Sie den Motor vorsichtig gemäß den Anweisungen und halten Sie Ihre Füße von den Messern fern.
- Beim Einschalten des Motors nicht neigen; es sei denn, der Kantenschneider muss zum Starten geneigt werden. Das Gerät in diesem Fall nicht mehr als unbedingt notwendig neigen und nur den vom Bediener abgewandten Teil anheben.
- Starten Sie den Motor nicht, wenn Zuschauer vor den Messern stehen.
- Reichen Sie mit den Händen oder Füßen nicht in die Nähe oder unter die rotierenden Teile.
- In nachstehenden Fällen immer den Motor ausschalten und den Akku abnehmen:
  - 1) Vor dem Säubern von Verstopfungen.
  - 2) Vor der Überprüfung, Reinigung oder Arbeit an den Messern.
  - 3) Nach Kontakt mit einem Fremdkörper: Überprüfen Sie die Messer auf Schäden und nehmen Sie eventuell erforderliche Reparaturen vor, bevor Sie den Kantenschneider erneut in Betrieb nehmen.
  - 4) Wenn der Kantenschneider ungewöhnlich stark zu vibrieren beginnt (sofort überprüfen).
- Schalten Sie den Motor aus, wenn Sie den Kantenschneider nicht verwenden.
- Laden Sie den Akkusatz nicht im Regen oder an nassen Orten auf.
- Verwenden Sie nur die Akkusätze und Ladegeräte, die hier aufgelistet sind.
- Nur mit akkus und ladegeräten verwenden, die in abb. A aufgeführt sind.
- Der Akku muss sicher entsorgt werden.
- Werfen Sie den Akku nicht ins Feuer. Die Zellen können

explodieren. Ziehen Sie die örtlichen Vorschriften zurate, um mehr über mögliche Sondervorschriften der Entsorgung zu erfahren.

- Öffnen oder zerstören Sie den Akku nicht. Auslaufender Elektrolyt ist ätzend und kann die Augen oder Haut schädigen. Es kann bei Verschlucken giftig sein.
- Lassen Sie beim Umgang mit dem Akku Vorsicht walten, um den Akku nicht mit leitenden Materialien wie Ringen, Armbändern und Schlüsseln kurzzuschließen. Der Akku oder der Leiter können sich überhitzen und Verbrennungen verursachen.
- Akkwerkzeuge müssen nicht mit einer Steckdose verbunden werden; daher sind sie stets einsatzbereit. Seien Sie sich möglicher Gefahren bewusst, selbst wenn das Werkzeug nicht eingeschaltet ist. Lassen Sie bei Wartungsarbeiten oder Reparaturen Vorsicht walten.
- Waschen Sie das Gerät nicht mit dem Wasserschlauch; lassen Sie kein Wasser in den Motor und die elektrischen Verbindungen gelangen.

### Wartung und Lagerung

- Achten Sie darauf, dass alle Schrauben, Muttern und Bolzen des Geräts gut festgezogen sind, um sichere Arbeitsvoraussetzungen zu gewährleisten.
- Ersetzen Sie abgenutzte oder beschädigte Teile.
- Versuchen Sie nicht, das Gerät zu reparieren, es sei denn, dass Sie entsprechend qualifiziert sind.
- Verwenden Sie nur vom Hersteller empfohlene Ersatz- und Zubehörteile.
- Nehmen Sie vor Wartungs- oder Reinigungsarbeiten den Akku vom Gerät ab.
- Prüfen und warten Sie das Gerät regelmäßig. Lassen Sie das Gerät nur von einer autorisierten Servicewerkstatt reparieren.
- Wenn das Gerät nicht benutzt wird, lagern Sie es außer Reichweite von Kindern.
- Falls Situationen auftreten, die nicht in dieser Bedienungsanleitung behandelt werden, gehen Sie vorsichtig und vernünftig vor. Reparaturanfragen richten Sie bitte an das EGO-Servicezentrum.
- Heben Sie diese Anleitung auf. Schlagen Sie gegebenenfalls darin nach und verwenden Sie sie, um Andere in die Verwendung des Geräts einzuweisen. Falls Sie dieses Werkzeug an Andere verleihen, händigen Sie ihnen auch diese Anleitung aus, um einem Missbrauch des Geräts und möglichen Verletzungen vorzubeugen.

### HEBEN SIE DIESE ANLEITUNG AUF!

**ANMERKUNG: WEITERE SPEZIFISCHE SICHERHEITSHINWEISE FINDEN SIE IN DER BETRIEBSANLEITUNG IHRES KOMBIMOTORS.**

### TECHNISCHE DATEN

Messerlänge	20 cm
Schnitttiefe	Bis zu 75 mm
Gewicht	2,26 kg
Betriebstemperatur	-15°C - 40°C
Lagertemperatur	-20°C - 70°C
Gemessener Schalleistungspegel $L_{WA}$	92,4 dB(A) K=2,07 dB(A) (PH1400E)
	90,7 dB(A) K=1,46 dB(A) (PH1420E)
	90 dB(A) K=1,3 dB(A) (PHX1600)
Schalldruckpegel am Ohr des Bedieners $L_{PA}$	79,8 dB(A) K=3 dB(A) (PH1400E)
	81,2 dB(A) K=3 dB(A) (PH1420E)
	84 dB(A) K=3 dB(A) (PHX1600)
Garantierter Schalleistungspegel $L_{WA}$ (nach 2000/14/EG gemessen)	95 dB(A)

Vibration $a_h$	Vorderer Haltegriff	1,2 m/s <sup>2</sup> K=1,5 m/s <sup>2</sup> (PH1400E)
		1,95 m/s <sup>2</sup> K=1,5 m/s <sup>2</sup> (PH1420E)
		1,6 m/s <sup>2</sup> K=1,5 m/s <sup>2</sup> (PHX1600)
	Hinterer Griff	2,2 m/s <sup>2</sup> K=1,5 m/s <sup>2</sup> (PH1400E)
		1,66 m/s <sup>2</sup> K=1,5 m/s <sup>2</sup> (PH1420E)
		1,53 m/s <sup>2</sup> K=1,5 m/s <sup>2</sup> (PHX1600)

- Oben genannte Parameter wurden mit dem Kombimotor PH1400E/PH1420E/PHX1600 getestet und gemessen;
- Der angegebene Schwingungs-Gesamtwert wurde in Übereinstimmung mit einer Standard-Testmethode gemessen und kann verwendet werden, um Werkzeuge miteinander zu vergleichen.
- Der angegebene Schwingungs-Gesamtwert kann auch als einleitende Feststellung der Belastung verwendet werden.

**HINWEIS:** Die beim Einsatz des Elektrowerkzeugs entstehenden Istvibrationen können von dem angegebenen Wert abweichen. Zum Schutz des Benutzers sollten Handschuhe und ein Gehörschutz während des Geräteeinsatzes getragen werden.

## PACKLISTE

TEILEBEZEICHNUNG	MENGE
Kantenschneider-Anbauwerkzeug	1
Inbusschlüssel	1
Multifunktionsschlüssel	1
Splint	2
Bedienungsanleitung	1

## Empfohlenes Messer

BEZEICHNUNG DES TEILS	MODELLNUMMER
Kantenschneidermesser	AEB0800

DE

## BESCHREIBUNG

### LERNEN SIE IHR KANTENSCHNEIDER-ANBAUWERKZEUG KENNEN (Abb. A)

1. Schutzkappe
2. Kantenschneiderschaft
3. Messerschutz
4. Messer
5. Rändelmutter des Führungsrad
6. Führungsrad
7. Inbusschlüssel
8. Multifunktionsschlüssel
9. Tiefeneinstellungsschiene
10. Grasabweiser
11. Splint
12. Arretierungsschraube für Führungsplatte
13. Führungsplatte

## MONTAGE

**⚠️ WARNUNG:** Wenn Teile beschädigt sind oder fehlen, darf das Gerät erst in Betrieb genommen werden, wenn alle Teile vollständig angebracht sind. Die Verwendung des Geräts mit beschädigten oder fehlenden Teilen kann zu schweren Verletzungen führen.

**⚠️ WARNUNG:** Versuchen Sie nicht, dieses Produkt zu verändern oder Zubehörteile zu verwenden, die für den Einsatz des Rasentrimmers nicht empfohlen werden. Derartige Änderungen oder Umbauten stellen eine Zweckentfremdung dar und können gefährliche Arbeitsbedingungen hervorrufen, bei denen eine schwere Verletzungsgefahr besteht.

**⚠️ WARNUNG:** Um einen unbeabsichtigten Anlauf und dadurch hervorgerufene schwere Verletzungen zu verhindern, muss der Akku beim Montieren von Teilen immer zuerst vom Gerät abgenommen werden.

**⚠️ WARNUNG:** Tragen Sie beim Anbringen oder Auswechseln des Schneidschutzes immer Handschuhe. Achten Sie auf das Messer am Schneidschutz und schützen Sie Ihre Hände vor Schnitten.

**⚠️ WARNUNG:** Setzen Sie das Werkzeug nur in Betrieb, wenn der Schneidschutz fest angebracht ist. Der

Schneidschutz muss zum Schutz des Benutzers immer am Gerät befestigt sein! Wenn der Schneidschutz montiert ist, darf er weder entfernt noch justiert werden. Falls dieser ersetzt werden muss, wenden Sie sich an eine qualifizierte Werkstatt!

## INSTALLATION DES KANTENSCHNEIDERS AM KOMBIMOTOR

Dieses Kantenschneider-Anbauwerkzeug ist zur Verwendung mit dem EGO Kombimotor PH1400E/PH1420E/PHX1600 mit 56V Lithium-Ionen-Akku bestimmt.

Siehe Abschnitt „INSTALLATION EINES ANBAUWERKZEUGS AN DEN KOMBIMOTOR“ in der Betriebsanleitung des Kombimotors PH1400E/PH1420E/PHX1600.

## BEDIENUNG

**⚠️ WARNUNG:** Vermeiden Sie es, dass die Vertrautheit mit dem Produkt zu Nachlässigkeit führt. Denken Sie daran, dass ein kurzer Moment der Unachtsamkeit zu ernsthaften Verletzungen führen kann.

**⚠️ WARNUNG:** Tragen Sie immer einen Augenschutz mit Seitenschutz sowie einen Hörschutz. Wenn Sie das unterlassen, kann es dazu kommen, dass Objekte in Ihre Augen geschleudert werden oder dass Ihnen andere mögliche ernsthafte Verletzungen zugefügt werden.

## ANWENDUNGEN

Sie können dieses Produkt für den unten aufgeführten Zweck einsetzen:

- Kantenschneiden rund um Gehwege, Randsteine, Blumenbeete und andere ähnliche Bereiche.

**HINWEIS:** Das Gerät darf nur für seinen vorgeschriebenen Zweck verwendet werden. Jede andere Verwendung gilt als Missbrauch.

## Prüfen Sie vor jedem Gebrauch auf Schäden/ abgenutzte Teile

Prüfen Sie den Mutter, die Schutzabdeckung und den vorderen Haltegriff und ersetzen Sie die Teile, die in irgendeiner Weise gesprungen, verzogen, verbogen oder beschädigt sind.

**⚠️ WARNUNG:** Um schwere Verletzungen zu verhindern, nehmen Sie den Akku vom Motor ab, bevor Sie das Gerät warten, reinigen, Anbauwerkzeuge auswechseln oder Schnittgut aus dem Gerät entfernen.

## VERWENDUNG DES KANTENSCHNEIDERS MIT DEM KOMBIMOTOR

**⚠️ WARNUNG:** Tragen Sie geeignete Kleidung, um das Verletzungsrisiko bei der Benutzung dieses Geräts zu reduzieren. Tragen Sie keine weite Kleidung oder Schmuck. Tragen Sie einen Augen- und Gehörschutz. Tragen Sie eine robuste lange Hose, Stiefel und Handschuhe. Tragen Sie keine kurze Hose oder Sandalen und gehen Sie nicht barfuß. Tragen Sie eine Gesichts- oder Staubschutzmaske in staubigen Bereichen.

**⚠️ WARNUNG:** Entfernen Sie alle Hindernisse oder festen Gegenstände aus dem Arbeitsbereich.

Legen Sie zum sicheren und einfacheren Arbeiten den Schultergurt an. Stellen Sie den Schultergurt so ein, dass die Arbeitsposition bequem ist.

Halten Sie den Kantenschneider mit Ihrer rechten Hand am hinteren Griff und Ihrer linken Hand am vorderen Haltegriff. Halten Sie das Werkzeug beim Betrieb mit beiden Händen gut fest. Der Kantenschneider ist in einer bequemen Position zu halten, der hintere Griff befindet sich dabei etwa in Hüfthöhe (Abb. B).

**⚠️ WARNUNG:** Der Schultergurt lässt sich in Gefahrensituationen schnell lösen. Nehmen Sie ihn in Notfällen unverzüglich von der Schulter, unabhängig davon, wie der Gurt befestigt ist.

## Reinigen Sie den Kantenschneider nach jedem Gebrauch.

Siehe dazu die Reinigungsanweisungen im Abschnitt WARTUNG.

## EINSTELLUNG DER SCHNITTITIEFE

1. Schalten Sie den Motor aus und nehmen Sie den Akku ab.
2. Lockern Sie die Rändelmutter des Führungsrad in Richtung des auf der Mutter abgebildeten Entriegelungspfeils (Abb. C).
3. Verschieben Sie das Führungsrad entlang der Tiefeneinstellungsschiene nach oben zum Vergrößern der Schnitttiefe oder nach unten zum Verringern der Tiefe (Abb. D).
4. Stellen Sie das Führungsrad so ein, dass das Messer den Boden gerade berührt bzw. nicht tiefer als 5 mm in den Boden eindringt (Abb. E) und ziehen Sie es dann sicher fest.
5. Überprüfen Sie die Schnitttiefe noch einmal in der normalen Arbeitsposition und korrigieren Sie diese gegebenenfalls.

## START/STOPP DES WERKZEUGS

Siehe Abschnitt „**START/STOPP DES KOMBIMOTORS**“ in der Betriebsanleitung des Kombimotors PH1400E/PH1420E/PHX1600.

## BEDIENHINWEISE

- Halten und führen Sie den Kombimotor so, dass das Messer senkrecht steht. Verwenden Sie die Markierungslinie, um das Messer auf die Kante des Beetes auszurichten (Abb. F).
- Arbeiten Sie nicht schneller als mit Schrittgeschwindigkeit. Falls das Messer steckenbleibt, schneiden Sie zu schnell. Gehen Sie in diesem Fall langsamer.
- Gehen Sie beim Schneiden immer vorwärts und bewegen Sie den Kantenschneider nach vorne. Ziehen Sie den Kantenschneider nicht zu sich heran.
- Drücken Sie das Messer nicht gewaltsam in den Boden. Eine leichte Berührung der Gehsteigkante, des Randsteins usw. mit dem Messer ist zulässig. Der Kantenschneider wird dadurch nicht beschädigt.
- Die besten Ergebnisse werden bei trockenem Gras erzielt. Vermeiden Sie Arbeiten in Bereichen mit feuchtem Boden oder feuchtem Gras, da der Messerschutz verstopfen kann oder die Kante ungleichmäßig geschnitten wird. Falls der Messerschutz verstopft ist, schalten Sie den Motor aus, nehmen Sie den Akku ab und entfernen Sie Gras- und Schmutzansammlungen vom Messerschutz.

## WARTUNG

**⚠️ WARNUNG:** Vor Überprüfung, Reinigung oder Reparatur des Geräts den Motor ausschalten, warten, bis alle beweglichen Teile zum Stillstand gekommen sind, und Akku abnehmen. Bei Nichtbeachtung dieser Anweisungen kann es zu schweren Verletzungen oder Sachschäden kommen.

**⚠️ WARNUNG:** Verwenden Sie für die Wartung nur identische Ersatzteile. Prüfen und warten Sie das Gerät regelmäßig. Um die Sicherheit und Zuverlässigkeit zu gewährleisten, sollten alle Reparaturen nur von qualifizierten Servicetechnikern durchgeführt werden.

### ALLGEMEINE WARTUNG

Verwenden Sie keine Lösungsmittel zum Reinigen von Kunststoffteilen. Die meisten Kunststoffe reagieren empfindlich auf die verschiedenen Arten von handelsüblichen Lösungsmitteln und können durch deren Benutzung beschädigt werden. Verwenden Sie saubere Lappen zum Entfernen von Schmutz, Staub, Öl, Fett usw.

## REINIGEN DES GERÄTES

- Reinigen Sie nach jedem Gebrauch das Messer und den Messerschutz mit einer weichen Bürste von Erd- und Grasresten. Wischen Sie die Oberfläche des Kantenschneiders mit einem sauberen Tuch ab, das Sie mit einer milden Seifenlösung anfeuchten.
- Reinigen Sie die Lüftungsschlitze am Motorgehäuse mit einer kleinen Bürste oder dem Luftstrom eines kleinen Staubsaugers.

**HINWEIS:** Benutzen Sie keine starken Reiniger am Kunststoffgehäuse oder am Griff. Die Teile können von ätherischen Ölen wie z. B. Kiefern- oder Zitronenöl angegriffen werden.

## MESSERWECHSEL

**⚠️ WARNUNG:** Versuchen Sie nicht, ein verbogenes oder geknicktes Messer geradzurichten oder zu schweißen, da es dabei brechen kann. Es muss ausgetauscht werden. Das Messer darf nur durch ein EGO-Kantenschneidermesser ersetzt werden. Siehe Abschnitt „**Empfohlenes Messer**“.

**HINWEIS:** Ersetzen Sie das Messer, falls es nicht mehr lang genug ist, um den Boden richtig auszuscheiden und die erforderliche Schnitttiefe zu erzielen.

**⚠️ WARNUNG:** Schützen Sie stets Ihre Hände, indem Sie Handschuhe tragen oder das Messer mit Lumpen oder anderen Materialien umwickeln, wenn Sie Wartungsarbeiten am Kantenschneidermesser durchführen.

## Ausbau des Messers

1. Schalten Sie den Motor aus und nehmen Sie den Akku ab.
2. Legen Sie den Kantenschneider auf die Rückseite, so dass das Messer nach oben zeigt.
3. Tragen Sie Schutzhandschuhe. Ziehen Sie mit einer Spitzzange (nicht enthalten) den Splint von der Antriebswelle ab (Abb. G).
4. Drehen Sie das Messer so, dass die Aussparung im Flansch mit der Bohrung im Getriebegehäuse übereinstimmt (Abb. G).

Teilebezeichnung der Abb. G:

G-1	Splint
G-2	Innenflansch
G-3	Getriebegehäuse

5. Stecken Sie den im Lieferumfang enthaltenen Inbusschlüssel in die aufeinander ausgerichteten Bohrungen, um die Drehung des Messers zu blockieren. Schrauben Sie die Mutter mit dem im Lieferumfang enthaltenen Multifunktionsschlüssel **IM UHRZEIGERSINN** ab (Abb. H).
6. Nehmen Sie die Mutter, den Außenflansch, das Messer und den Innenflansch von der Antriebswelle ab (Abb. I). Überprüfen Sie die Teile und tauschen Sie sie bei Abnutzung aus.

Teilebezeichnung der Abb. I:

I-1	Antriebswelle	I-5	Messer
I-2	Innenflansch	I-6	Messerwölbung
I-3	Aussparung im Innenflansch	I-7	Mutter
I-4	Ausbuchtung auf dem Innenflansch	I-8	Splint

### Installation des Messers

1. Stecken Sie den Innenflansch mit der Ausbuchtung nach außen auf die Antriebswelle (Abb. I).
2. Setzen Sie das neue Messer auf den Innenflansch und vergewissern Sie sich, dass es fest auf dem Flansch sitzt (Abb. J).
3. Montieren Sie den Außenflansch und die Mutter auf die Welle und ziehen Sie die Mutter mit der Hand **GEGEN DEN UHRZEIGERSINN** fest.
4. Folgen Sie den oben genannten Schritten 4 und 5 im Abschnitt „Ausbau des Messers“, um die Drehung des Messers zu blockieren und die Mutter **GEGEN DEN UHRZEIGERSINN** sicher festzuziehen.
5. Stecken Sie einen neuen, im Lieferumfang enthaltenen Splint in die Bohrung der Antriebswelle. Biegen Sie die beiden Füße des Splints mit einer Spitzzange (nicht enthalten) in gegenüberliegende Richtungen um (Abb. G).

### WECHSEL DES FÜHRUNGSRADS

1. Schalten Sie den Motor aus und nehmen Sie den Akku ab.
2. Legen Sie den Kantenschneider auf die Rückseite, so dass das Führungsrad nach oben zeigt.
3. Lockern Sie die Rändelmutter des Führungsrad in Richtung des auf der Mutter abgebildeten Entriegelungspfeils und nehmen Sie sie ab.
4. Nehmen Sie den Federring, die Beilagscheibe 1, das Führungsrad, die Buchse und die Beilagscheibe 2 von der Schraube ab (Abb. K). Überprüfen Sie die Teile und tauschen Sie sie bei Abnutzung aus.

5. Stecken Sie zuerst die Schraube durch die Tiefeneinstellungsschiene und setzen Sie dann die Beilagscheibe 2, die Buchse und das neue Rad, dann die Beilagscheibe 1, den Federring und die Rändelmutter in der in Abb. K gezeigten Reihenfolge auf die Schraube.

Teilebezeichnung der Abb. K:

K-1	Rändelmutter des Führungsrad	K-5	Buchse
K-2	Federring	K-6	Beilagscheibe 2
K-3	Beilagscheibe 1	K-7	Schraube
K-4	Führungsrad	K-8	Tiefeneinstellungsschiene

**HINWEIS:** Das Führungsrad muss mit seinen flachen Rippen nach innen montiert werden (Abb. L).

Teilebezeichnung der Abb. L:

L-1	Schrauben	L-3	Grasabweiser
L-2	Flache Rippe	L-4	Befestigungsplatte

6. Drehen Sie die Rändelmutter fest.

### WECHSEL DES GRASABWEISERS (Abb. L)

1. Schalten Sie den Motor aus und nehmen Sie den Akku ab.
2. Lockern Sie die beiden Schrauben mit dem im Lieferumfang enthaltenen Inbusschlüssel.
3. Nehmen Sie die Schrauben, die Befestigungsplatte und den abgenutzten Grasabweiser ab.
4. Ersetzen Sie das Teil durch einen neuen Grasabweiser und befestigen Sie diesen mit der Befestigungsplatte und den beiden Schrauben.

### PRÜFUNG UND AUSTAUSCH DER VERSCHLEISSCHUTZABDECKUNG / FÜHRUNGSPLATTE (Abb. M)

Überprüfen Sie vor dem Einschalten des Elektrowerkzeugs die Verschleißschutzabdeckung und die Führungsplatte auf Schäden. Falls das Getriebegehäuse zu sehen ist, muss die Verschleißschutzabdeckung unverzüglich ausgetauscht werden.

**HINWEIS:** Wird die Verschleißschutzabdeckung nicht ausgetauscht, sobald das Getriebegehäuse zu sehen ist, kann das Getriebegehäuse ernsthaft beschädigt werden.

1. Schalten Sie den Motor aus und nehmen Sie den Akku ab.
2. Tragen Sie Schutzhandschuhe. Drehen Sie das Messer so, dass die beiden Schrauben freiliegen.

3. Lockern Sie die beiden Schrauben mit dem im Lieferumfang enthaltenen Inbusschlüssel und nehmen Sie sie ab.

**HINWEIS:** Falls lediglich die Führungsplatte ausgewechselt werden muss, brauchen Sie nur die Schraube 1 zu lockern und abzunehmen.

4. Tauschen Sie die verbogene oder abgenutzte Verschleißschutzabdeckung/Führungsplatte aus.
5. Setzen Sie die neue Verschleißschutzabdeckung und Führungsplatte auf das Getriebegehäuse und befestigen Sie sie mit den beiden Schrauben.

Teilebezeichnung der Abb. M:

M-1	Schraube 1	M-4	Verschleißschutzabdeckung
M-2	Führungsplatte	M-5	Montagebohrungen
M-3	Schraube 2	M-6	Getriebegehäuse

### ABNEHMEN DER FÜHRUNGSPLATTE

Wenn Sie mit diesem Kantenschneider Erfahrung haben oder Sie die Führungsplatte beim Kantenschneiden als störend empfinden, können Sie die Führungsplatte abnehmen.

1. Lockern Sie die Schraube 1 und nehmen Sie sie ab.
2. Nehmen Sie die Führungsplatte ab.
3. Setzen Sie die Schraube 1 wieder ein und ziehen Sie sie fest.

### SCHMIERUNG DES GETRIEBES

Das Getriebe im Getriebegehäuse muss regelmäßig mit Getriebefett geschmiert werden. Entfernen Sie etwa alle 50 Betriebsstunden die Dichtungsschraube auf der Gehäuseseite und überprüfen Sie den Schmiermittelstand im Getriebegehäuse.

Ist auf den Seiten des Getriebes kein Fett zu sehen, füllen Sie das Getriebe gemäß untenstehenden Schritten zu 3/4 mit Getriebefett.

Getriebe nicht vollständig befüllen.

1. Stellen Sie den Kantenschneider aufrecht, so dass die Dichtungsschraube nach oben zeigt (Abb. N).
2. Lockern Sie die Dichtungsschraube mit dem im Lieferumfang enthaltenen Multifunktionsschlüssel und nehmen Sie sie ab. Befüllen Sie das Gehäuse durch das Schraubenloch mit einer Fettspritze (nicht enthalten) bis zu höchstens 3/4 mit Getriebefett.
3. Ziehen Sie die Dichtungsschraube nach dem Fetteinspritzen wieder fest.

### AUFBEWAHREN DES GERÄTES

- Nehmen Sie den Akku vom Kantenschneider ab
- Reinigen Sie das Werkzeug gründlich, bevor Sie es verstauen.
- Falls das Kantenschneider-Anbauwerkzeug vom Kombimotor abgenommen und getrennt gelagert wird, setzen Sie die Schutzkappe auf den Schaft des Anbauwerkzeugs, damit kein Schmutz in die Kupplung gelangt.
- Lagern Sie das Gerät an einem trockenen, gut belüfteten Bereich, der sich abschließen lässt oder hoch gelegen ist, wo es außer Reichweite von Kindern ist. Lagern Sie das Gerät nicht auf oder neben Düngemitteln, Benzin oder Chemikalien.

### Schutz der Umwelt



Elektrogeräte, alte Akkus und Ladegeräte dürfen nicht im Hausmüll entsorgt werden! Das Gerät muss einer offiziellen Recycling-Sammelstelle zur getrennten Entsorgung zugeführt werden. Elektrogeräte müssen bei einem umweltfreundlichen Recycling-Betrieb abgegeben werden.

## FEHLERBEHEBUNG

DE

PROBLEM	URSACHE	LÖSUNG
Motor startet nicht.	<ul style="list-style-type: none"> <li>■ Der Akku ist nicht am Kombimotor angebracht.</li> <li>■ Kein elektrischer Kontakt zwischen Kombimotor und Akku.</li> <li>■ Der Akku ist leer.</li> <li>■ Der Taste zum Entriegeln und der Auslöser werden nicht gleichzeitig gedrückt.</li> </ul>	<ul style="list-style-type: none"> <li>■ Akku in den Kombimotor einsetzen.</li> <li>■ Akku abnehmen, Kontakte überprüfen und wieder einsetzen, bis er einrastet.</li> <li>■ Akku mit den in dieser Anleitung aufgeführten EGO-Ladegeräten aufladen.</li> <li>■ Drücken Sie die Feststelltaste und halten Sie sie gedrückt. Drücken Sie den Auslöser, um den Kombimotor einzuschalten.</li> </ul>
Kombimotor stoppt während des Betriebs.	<ul style="list-style-type: none"> <li>■ Der Motor ist überlastet.</li> <li>■ Akku oder Kombimotor sind zu heiß.</li> <li>■ Akku ist nicht mit dem Werkzeug verbunden.</li> <li>■ Akku ist leer.</li> </ul>	<ul style="list-style-type: none"> <li>■ Der Motor kommt wieder in Schwung, wenn die Last abgenommen wird. Für durchgehendes Arbeiten die Last des Kombimotors verringern.</li> <li>■ Lassen Sie den Akku und den Kombimotor unter 67° C abkühlen.</li> <li>■ Setzen Sie den Akku wieder ein.</li> <li>■ Akku mit den in dieser Anleitung aufgeführten EGO-Ladegeräten aufladen.</li> </ul>
Ungleichmäßige Kante	<ul style="list-style-type: none"> <li>■ Geschnittenes Gras oder Boden zu nass.</li> <li>■ Messerschutz ist verstopft.</li> </ul>	<ul style="list-style-type: none"> <li>■ Arbeiten in Bereichen mit feuchtem Boden oder feuchtem Gras vermeiden.</li> <li>■ Schalten Sie den Motor aus, nehmen Sie den Akku ab und entfernen Sie Gras- und Schmutzansammlungen vom Messerschutz.</li> </ul>

## GARANTIE

### EGO GEWÄHRLEISTUNGSRICHTLINIE

Bitte besuchen Sie unsere website [egopowerplus.eu](http://egopowerplus.eu) mit den kompletten EGO Garantiebedingungen.



## LISEZ TOUTES LES INSTRUCTIONS!



### LISEZ LE MANUEL D'UTILISATION

**AVERTISSEMENT :** Pour garantir la sécurité et la fiabilité, toutes les réparations et tous les changements de pièce doivent être effectués par un réparateur qualifié.

## SYMBOLES DE SÉCURITÉ

L'objectif des symboles de sécurité est d'attirer votre attention sur des dangers potentiels. Les symboles de sécurité et les explications les accompagnant doivent être lus avec attention et compris. Les symboles de mise en garde ne permettent pas par eux-mêmes d'éliminer les dangers. Les consignes et mises en garde ne se substituent pas à des mesures de prévention appropriées des accidents.

**AVERTISSEMENT :** Avant d'utiliser cet outil, veuillez à lire et à comprendre toutes les consignes de sécurité du guide d'utilisation, notamment tous les symboles d'alerte de sécurité comme « **DANGER** », « **AVERTISSEMENT** » et « **MISE EN GARDE** ». Ne pas respecter toutes les consignes listées ci-après peut provoquer un choc électrique, un incendie et/ou des blessures corporelles graves.

## SIGNIFICATION DES SYMBOLES

### SYMBOLE DE MISE EN GARDE DE SÉCURITÉ :

Indique un **DANGER**, un **AVERTISSEMENT** ou une **PRÉCAUTION**. Peut être utilisé en conjonction d'autres symboles ou pictogrammes.








**AVERTISSEMENT :** L'utilisation d'un outil électrique peut provoquer la projection d'objets étrangers dans vos yeux, ce qui peut provoquer des lésions oculaires graves. Avant de mettre un outil électrique en marche, portez toujours un masque de sécurité ou des lunettes de sécurité avec boucliers latéraux, ou un masque facial intégral quand cela est nécessaire. Nous vous recommandons de porter un Masque de Sécurité à Vision Panoramique par-dessus des lunettes de vue ou des lunettes de sécurité standards avec boucliers latéraux.

## CONSIGNES DE SÉCURITÉ

Cette page décrit des symboles de sécurité pouvant être présents sur le produit. Lisez, comprenez et respectez toutes les instructions présentes sur l'outil avant d'essayer de l'assembler et de l'utiliser.

FR

	Alerte de sécurité	Indique un danger potentiel de blessure corporelle.
	Lire le manuel d'utilisation	Pour réduire le risque de blessures, l'utilisateur doit lire et comprendre le manuel d'utilisation avant d'utiliser ce produit.
	Portez une protection pour les yeux et les oreilles	Toujours porter un masque de sécurité ou des lunettes de sécurité avec boucliers latéraux et un masque facial intégral lors de l'utilisation de ce produit.
	Longueur de la lame du coupe-bordures	Longueur de la lame du coupe-bordures
	Maintenir les Autres Personnes Éloignées	La distance entre la machine et les autres personnes doit être d'au moins 15 m.
	Direction de la rotation de la lame du coupe-bordures	Indique la direction de la rotation de la lame du coupe-bordures.
	Objets projetés	Inspectez minutieusement la surface où l'équipement doit être utilisé et retirez-en toutes les pierres, tous les bâtons, câbles, os et autres objets étrangers.
	Porter des chaussures de sécurité.	Porter des chaussures antidérapantes de sécurité pendant l'utilisation de cet équipement.
	Lame de coupe rotative	Ne placez jamais vos mains ni vos pieds près ou sous les parties rotatives.
	Maintenir une distance suffisamment éloignée des lignes électriques.	Pour prévenir le risque d'électrocution, ne pas utiliser l'outil à moins de 15 m des lignes électriques surplombantes. Le contact avec des lignes électriques ou l'utilisation près de lignes électriques peut provoquer des blessures graves ou un choc électrique provoquant la mort.

	CE	Ce produit est conforme aux directives CE applicables.
	UKCA	Ce produit est conforme à la législation britannique applicable.
	WEEE	Les déchets de produits électriques ne doit pas être jetés avec les ordures ménagères. Jetez-les dans un dans un centre de triage agréé.
	Bruit	Niveau de puissance acoustique garanti. Émission sonore dans l'environnement conforme à la directive de la communauté européenne.
V	Volt	Tension
mm	Millimètre	Longueur ou taille
cm	Centimètre	Longueur ou taille
kg	Kilogramme	Poids
	Courant continu	Type ou caractéristique du courant

## CONSIGNES DE SÉCURITÉ GÉNÉRALES POUR LA MACHINE

**⚠ AVERTISSEMENT :** Lisez toutes les mises en garde, consignes, illustrations et spécifications fournies avec cette machine. Le non-respect des consignes figurant ci-dessous peut provoquer un choc électrique, un incendie et/ou des blessures graves.

## CONSERVEZ TOUTES LES CONSIGNES DE SÉCURITÉ ET TOUTES LES INSTRUCTIONS POUR POUVOIR VOUS Y RÉFÉRER ULTÉRIEUREMENT.

Le terme « machine » utilisé dans les consignes de sécurité désigne votre machine fonctionnant sur le secteur (filaire) ou sur batterie (sans fil).

### SÉCURITÉ DE L'AIRE DE TRAVAIL

- **Maintenez l'aire de travail propre et bien éclairée.** Les endroits sombres ou désordonnés augmentent les risques d'accident.
- **N'utilisez pas les machines dans des atmosphères explosives, par exemple en présence de liquides,**

**de gaz ou de poussières inflammables.** Les machines génèrent des étincelles pouvant enflammer poussières et vapeurs.

- **Veillez à ce que les enfants et les passants restent éloignés de la machine pendant l'utilisation.** Un moment d'inattention peut vous faire perdre le contrôle de l'outil.

### SÉCURITÉ ÉLECTRIQUE

- **La fiche de la machine doit correspondre à la prise électrique. Ne modifiez jamais la prise de quelque manière que ce soit. N'utilisez jamais d'adaptateur avec des machines pourvues d'une mise à la terre.** Les fiches non modifiées et les prises électriques appropriées réduisent le risque de choc électrique.
- **Évitez tout contact physique avec des surfaces mises à la terre ou mises à la masse, telles que tuyaux, radiateurs, fours et réfrigérateurs.** Il y a un risque accru de choc électrique si votre corps est relié à la terre ou à la masse, directement ou indirectement.
- **N'utilisez pas la machine sous la pluie ou dans des conditions humides.** La pénétration d'eau dans la machine peut augmenter le risque de choc électrique ou de dysfonctionnement pouvant entraîner des blessures corporelles.
- **Prenez soin du câble d'alimentation. N'utilisez jamais le cordon d'alimentation pour porter, tirer ou débrancher la machine. Veillez à ce que le câble d'alimentation n'entre jamais en contact avec de l'huile, des pièces mobiles, des arêtes tranchantes, et ne soit jamais exposé à de la chaleur.** Les câbles d'alimentation endommagés ou emmêlés augmentent le risque de choc électrique.
- **Quand vous utilisez une machine en extérieur, utilisez une rallonge électrique adaptée à un usage en extérieur.** L'utilisation d'une rallonge conçue pour un usage en extérieur permet de réduire le risque de choc électrique.
- **S'il est impossible d'éviter d'utiliser une machine dans un endroit humide, utilisez une alimentation protégée par un disjoncteur de fuite à la terre (DDFT).** L'utilisation d'un DDFT réduit le risque de choc électrique.

### SÉCURITÉ DES PERSONNES

- **Faites preuve de vigilance et de concentration sur ce que vous faites et exercez votre bon sens lors de l'utilisation d'une machine. N'utilisez pas une machine quand vous êtes fatigué(e), sous l'emprise de l'alcool, de stupéfiants ou de médicaments.** Un moment d'inattention pendant l'utilisation d'une machine peut provoquer des blessures corporelles graves.

- **Utilisez des équipements de protection individuelle. Portez toujours une protection oculaire.** L'utilisation d'équipements de protection appropriés aux conditions de travail, tels qu'un masque anti-poussières, des chaussures de sécurité antidérapantes, un casque et des protections auditives, permet de réduire les risques de blessures corporelles.
- **Évitez les démarrages accidentels. Vérifiez que l'interrupteur marche/arrêt est dans la position arrêt avant de brancher la machine dans une prise électrique et/ou d'insérer la batterie, de le saisir ou de le transporter.** Transporter des machines avec le doigt sur l'interrupteur marche/arrêt ou mettre sous tension des machines dont l'interrupteur est en position marche augmente le risque d'accidents.
- **Retirez toutes les clés de réglage et de serrage avant de mettre la machine en marche.** Une clé de réglage ou de serrage laissée sur une pièce rotative de la machine peut provoquer des blessures corporelles.
- **N'essayez pas de travailler des endroits difficiles à atteindre. Conservez en permanence des appuis des pieds solides et un bon équilibre.** Cela permet un meilleur contrôle de la machine en cas de situations inattendues.
- **Portez une tenue adaptée. Ne portez pas de vêtement ample ni de bijou. Maintenez vos cheveux et vos vêtements éloignés des pièces mobiles.** Les vêtements amples, les bijoux et les cheveux longs peuvent se prendre dans les pièces mobiles.
- **Si un outil est conçu pour être utilisé avec des dispositifs d'extraction et de récupération des poussières, veillez à ce que ces dispositifs soient raccordés et correctement utilisés.** L'utilisation de dispositifs de récupération des poussières permet de réduire les risques liés aux poussières.
- **Continuez à respecter les principes de sécurité même si vous sentez familiarisé(e) à l'utilisation de la machine.** La négligence peut provoquer des blessures graves en une fraction de seconde.
- **Débranchez la fiche de l'alimentation électrique et/ou retirez la batterie, si amovible, de la machine avant tout réglage ou changement d'accessoire, et avant de ranger la machine.** De telles mesures de sécurité préventives réduisent le risque de démarrage accidentel de la machine.
- **Conservez la machine à l'arrêt hors de portée des enfants et ne laissez pas des personnes non familiarisées avec la machine ou les présentes consignes utiliser la machine.** Les machines sont dangereuses dans les mains d'utilisateurs non formés.
- **Entretenez les machines et les accessoires. Contrôlez la machine pour vérifier qu'aucune pièce mobile n'est grippée ou mal alignée, qu'aucune pièce n'est cassée, et pour tout autre problème qui pourrait affecter son fonctionnement. Si elle est endommagée, faites réparer la machine avant utilisation.** De nombreux accidents sont dus à des machines mal entretenues.
- **Veillez à ce que les machines de coupe restent affûtées et propres.** Des machines de coupe bien entretenues et affûtées risquent moins de se coincer et sont plus faciles à contrôler.
- **Utilisez la machine, ses accessoires, mèches/embouts et toutes les autres pièces conformément au présent mode d'emploi, en prenant en compte les conditions d'utilisation et le travail à effectuer.** L'utilisation de la machine à d'autres finalités que celles pour lesquelles elle a été conçue peut engendrer des situations dangereuses.
- **Maintenez les poignées et surfaces de préhension propres, sèches et exemptes d'huile et de graisse.** Les poignées et surfaces de préhension glissantes ne permettent pas de tenir et de contrôler la machine de manière sûre en cas de situations inattendues.

#### UTILISATION ET ENTRETIEN DE LA MACHINE SUR BATTERIE

#### UTILISATION ET ENTRETIEN DE LA MACHINE

- **Ne forcez pas sur la machine. Utilisez une machine adaptée à votre travail.** L'utilisation d'une machine qui convient au travail à effectuer permet de réaliser ce travail plus efficacement, avec une sécurité accrue et au rythme pour lequel la machine a été conçue.
- **N'utilisez pas la machine si son interrupteur marche/arrêt ne permet pas de l'allumer et de l'éteindre.** Une machine qui ne peut pas être contrôlée avec son interrupteur marche/arrêt est dangereuse et doit être réparée.
- **Rechargez la batterie exclusivement avec le chargeur spécifié par le fabricant.** Un chargeur adapté à un type de batterie en particulier peut présenter un risque d'incendie s'il est utilisé avec un type de batterie différent.
- **Utilisez les machines uniquement avec la batterie indiquée.** L'utilisation de toute autre batterie peut engendrer un risque de blessures et d'incendie.
- **Lorsque la batterie n'est pas utilisée, elle doit être rangée à l'écart de tout objet métallique, tel que les trombones, pièces de monnaie, clés, clous, vis et tous les autres petits objets métalliques pouvant mettre en contact ses bornes.** Mettre en court-circuit les bornes de la batterie peut provoquer des brûlures et un incendie.

- **Si la batterie est soumise à des conditions d'utilisation excessives, du liquide peut s'en échapper. Évitez tout contact avec ce liquide. En cas de contact accidentel, rincez à grande eau. En cas de contact avec les yeux, vous devez en outre consulter un médecin.** Le liquide qui s'échappe de la batterie peut provoquer des irritations et des brûlures.
- **N'utilisez pas une batterie ou une machine endommagée ou modifiée.** Les batteries modifiées ou endommagées peuvent avoir un comportement imprévisible susceptible de provoquer un incendie, une explosion ou un risque de blessure.
- **N'exposez pas la batterie ou la machine à des flammes ou à une température excessive.** L'exposition au feu ou à des températures supérieures à 130 °C peut provoquer une explosion.
- **Respectez toutes les consignes de recharge et ne rechargez pas la batterie ou la machine hors de la plage de température spécifiée dans les consignes.** La recharge incorrecte ou à des températures hors de la plage spécifiée peut endommager la batterie et accroître le risque d'incendie.

## CONSIGNES DE SÉCURITÉ IMPORTANTES

**⚠ AVERTISSEMENT :** Lors de l'utilisation de taille-bordures, des précautions de sécurité élémentaires doivent toujours être respectées afin de réduire les risques d'incendie, de choc électrique et de blessure corporelle, parmi lesquelles :

### LIRE ATTENTIVEMENT AVANT UTILISATION.

### CONSERVER POUR CONSULTATION ULTÉRIEURE.

**⚠ DANGER :** Ne comptez pas uniquement sur l'isolation de l'outil pour vous protéger des chocs électriques. Pour réduire le risque d'électrocution, n'utilisez jamais l'outil à proximité de câble ou de fils (lignes électriques, etc.), car ils peuvent être parcourus par un courant électrique.

**⚠ ATTENTION :** Portez une protection auditive individuelle appropriée pendant l'utilisation. Dans certaines conditions et durées d'utilisation, le bruit généré par ce produit peut contribuer à une perte d'acuité auditive.

### Entraînement

- Lisez attentivement le manuel d'utilisation. Familiarisez-vous avec les commandes et l'utilisation correcte de l'outil.
- Ne laissez jamais des enfants ou des personnes non familiarisées avec les présentes instructions utiliser l'outil. Les réglementations locales peuvent définir un âge minimal pour l'opérateur.
- N'utilisez jamais le coupe-bordures si des personnes, notamment des enfants, ou des animaux de compagnies sont à proximité.
- Gardez à l'esprit que l'utilisateur ou l'opérateur est responsable des accidents ou dangers causés à autrui ou à la propriété d'autrui.

### Préparation

- Pendant la coupe, portez toujours des protections pour les yeux et les oreilles, des chaussures protectrices et un pantalon long.
- Inspectez minutieusement la surface où l'équipement doit être utilisé et retirez-en toutes les pierres, tous les bâtons, câbles, os et autres objets étrangers.
- Avant utilisation, inspectez toujours visuellement les lames, les boulons de lame et l'unité de coupe pour vérifier qu'ils ne sont ni usés ni endommagés. Afin de préserver l'équilibre de l'appareil, changez toujours les lames et les boulons en même temps.

### Opération

- Coupez exclusivement à la lumière du jour ou sous une lumière artificielle suffisante.
- Ayez toujours des appuis de pieds sûrs sur les pentes.
- Marchez, ne courez jamais.
- Faites extrêmement attention quand vous faites demi-tour ou que vous tirez le coupe-bordures vers vous.
- Assurez-vous que la lame est arrêtée avant de toucher des surfaces autres de l'herbe et lors du transport du coupe-bordures vers et depuis une zone à couper.
- Ne faites jamais fonctionner le coupe-bordures avec des protections défectueuses, manquantes ou incorrectes.
- Ne modifiez pas les paramètres du régulateur de vitesse du moteur et ne le mettez pas en survitesse.
- Démarrez le moteur en respectant minutieusement les instructions du manuel d'utilisation et en éloignant vos pieds des lames.
- N'inclinez pas l'outil au démarrage du moteur, sauf s'il doit être incliné pour le démarrage. Dans ce cas, ne l'inclinez pas plus qu'absolument nécessaire et soulevez uniquement la partie éloignée de l'utilisateur.
- Ne démarrez pas le moteur lorsqu'un passant se trouve devant la/les lame(s).
- Ne placez jamais vos mains ni vos pieds près ou sous les parties rotatives.
- Éteignez toujours le moteur et débranchez-le de la batterie :
  - 1) Avant de nettoyer des obstructions ;
  - 2) Avant de vérifier, nettoyer ou travailler sur la ou les lames ;

- 3) Après avoir percuté un objet étranger : Inspectez la ou les lames à la recherche d'éventuels dégâts et effectuez des réparations avant de redémarrer le coupe-bordures ;
  - 4) Si le coupe-bordures se met à vibrer anormalement (contrôlez l'appareil immédiatement).
- Arrêtez le moteur dès que vous n'utilisez plus le coupe-bordures.
  - Ne rechargez pas la batterie sous la pluie ni dans les endroits mouillés.
  - Utilisez exclusivement les batteries et les chargeurs listés à la fig. A.
  - La batterie doit être retirée de l'outil avant la mise au rebut.
  - La batterie doit être mise au rebut d'une manière sûre.
  - Ne jetez pas la batterie dans un feu pour vous en débarrasser. Les batteries/accumulateurs peuvent exploser. Consultez les réglementations locales pour savoir si elles comportent des dispositions spéciales de mise au rebut.
  - N'ouvrez pas la batterie et ne la mutiliez pas. L'électrolyte sortant des batteries est corrosif et peut blesser les yeux et la peau. Il peut être toxique s'il est avalé.
  - Faites attention lors de la manipulation des batteries pour éviter de les court-circuiter avec des matériaux conducteurs, par exemple des bagues, des bracelets ou des clés. La batterie ou le conducteur peut surchauffer et provoquer des brûlures.
  - Les outils alimentés par batterie n'ont pas à être branchés dans une prise électrique, ils sont donc toujours prêts à fonctionner. Prenez garde aux dangers potentiels même quand l'outil n'est pas en fonctionnement. Faites attention pendant l'entretien ou la réparation.
  - Ne lavez pas l'outil avec un tuyau. Veillez à ce que de l'eau ne pénètre pas dans le moteur ni sur les connexions électriques.

#### Entretien et stockage

- Veillez à ce que tous les écrous, vis et boulons soient bien serrés pour garantir que l'équipement est en bon état de marche.
- Changez les pièces usées ou endommagées.
- N'essayez pas de réparer la machine à moins que vous en ayez la compétence.
- Utilisez exclusivement des pièces de rechange recommandées par le fabricant.
- Débranchez la machine de la batterie avant d'entreprendre l'entretien ou le nettoyage.

- Inspectez et entretenez l'outil régulièrement. Faites réparer l'outil exclusivement par un réparateur agréé.
- Rangez l'outil hors de portée des enfants quand vous ne l'utilisez pas.
- Si des situations non couvertes par ce manuel se produisent, faites preuve de prudence et de bon sens. Contactez le centre de réparation EGO pour lui demander conseil.
- Conservez ce manuel d'utilisation. Consultez-le fréquemment et servez-vous-en pour instruire les autres personnes devant utiliser cet outil. Si vous prêtez cet outil à un tiers, prêtez-lui également ce manuel d'utilisation pour éviter l'utilisation incorrecte du produit et des blessures potentielles.

#### CONSERVEZ CE MANUEL D'UTILISATION!

**REMARQUE : CONSULTEZ LE MANUEL D'UTILISATION DE L'ENSEMBLE MOTEUR POUR DES MESURES DE SÉCURITÉ SUPPLÉMENTAIRES.**

### SPÉCIFICATIONS

Longueur de la lame	20 cm
Profondeur de coupe	Jusqu'à 75 mm
Poids	2,26 kg
Température d'utilisation	-15°C - 40°C
Température de stockage	-20°C - 70°C
Niveau de puissance acoustique mesuré $L_{WA}$	92,4 dB(A) K=2,07 dB(A) (PH1400E)
	90,7 dB(A) K=1,46 dB(A) (PH1420E)
	90 dB(A) K=1,3 dB(A) (PHX1600)
Niveau de pression acoustique au niveau des oreilles de l'opérateur $L_{PA}$	79,8 dB(A) K=3 dB(A) (PH1400E)
	81,2 dB(A) K=3 dB(A) (PH1420E)
	84 dB(A) K=3 dB(A) (PHX1600)

Niveau de puissance acoustique garanti $L_{WA}$ (conformément à la norme 2000/14/CE)		95 dB(A)
Vibration $a_h$	Poignée auxiliaire avant	1,2 m/s <sup>2</sup> K=1,5 m/s <sup>2</sup> (PH1400E)
		1,95 m/s <sup>2</sup> K=1,5 m/s <sup>2</sup> (PH1420E)
		1,6 m/s <sup>2</sup> K=1,5 m/s <sup>2</sup> (PHX1600)
	Poignée arrière	2,2 m/s <sup>2</sup> K=1,5 m/s <sup>2</sup> (PH1400E)
		1,66 m/s <sup>2</sup> K=1,5 m/s <sup>2</sup> (PH1420E)
		1,53 m/s <sup>2</sup> K=1,5 m/s <sup>2</sup> (PHX1600)

- Les paramètres ci-dessus ont été testés et mesurés avec le bloc moteur PH1400E/PH1420E/PHX1600;
- La valeur totale des vibrations indiquée a été mesurée selon une procédure conforme à une méthode de test standardisée et peut servir pour comparer différents outils.
- La valeur totale des vibrations indiquée peut également servir pour effectuer une première évaluation de l'exposition.

**REMARQUE :** L'émission de vibrations pendant l'utilisation réelle de l'outil électrique est fonction de la manière dont il est utilisé et peut différer de la valeur indiquée. Pour se protéger, l'opérateur doit porter des gants et un casque antibruit dans les conditions actuelles d'utilisation.

## CONTENU DE L'EMBALLAGE

NOM DE PIÈCE	QUANTITÉ
Accessoire coupe-bordures	1
Clé hexagonale	1
Clé multifonctions	1
Goupille fendue	2
Manuel d'utilisation	1

## Lame recommandée

NOM DE PIÈCE	NUMÉRO DE MODÈLE
Lame de coupe-bordures	AEB0800

## DESCRIPTION

### APPRENEZ À CONNAÎTRE VOTRE ACCESSOIRE COUPE-BORDURES (Img. A)

1. Bouchon d'extrémité
2. Axe du coupe-bordures
3. Fourreau de lame
4. Lame
5. Bouton de réglage de la profondeur
6. Roue de guidage
7. Clé hexagonale
8. Clé multifonctions
9. Guide-chaîne de réglage de la profondeur
10. Volet à débris
11. Goupille fendue
12. Vissez pour fixer en place le guide-chaîne
13. Guide-chaîne

## ASSEMBLAGE

**AVERTISSEMENT :** Si une pièce est manquante ou endommagée, n'utilisez pas cet outil tant qu'elle n'a pas été remplacée. Utiliser cet outil avec des pièces endommagées ou manquantes peut provoquer des blessures corporelles graves.

**AVERTISSEMENT :** N'essayez jamais de modifier l'outil ni de créer des accessoires non recommandés pour être utilisés avec ce taille-bordure. De tels modifications et changements constituent une utilisation impropre et peuvent engendrer des situations dangereuses

**AVERTISSEMENT :** Pour éviter un démarrage accidentel pouvant provoquer des blessures graves, retirez toujours la batterie de la machine avant d'assembler des pièces."

**AVERTISSEMENT :** Portez toujours des gants pour assembler ou remplacer le carter de protection. Prenez garde à la lame lorsque vous montez le carter de protection et protégez votre main pour éviter de vous couper."

**AVERTISSEMENT :** N'utilisez jamais la machine sans que son carter de protection ne soit bien en place. Le carter de protection doit toujours être monté sur la

machine pour protéger l'utilisateur ! Une fois que le carter a été fixé, n'essayez jamais de le démonter ou de le régler. S'il doit être remplacé, cela doit être fait par un réparateur qualifié !"

### BRANCHER L'ACCESSOIRE COUPE-BORDURES À L'ENSEMBLE MOTEUR

Cet accessoire coupe-bordures est conçu pour être utilisé avec un ensemble moteur EGO 56v Lithium-ion PH1400E/PH1420E/PHX1600.

Voir la section « **INSTALLER UN ACCESSOIRE SUR L'ENSEMBLE MOTEUR** » du manuel d'utilisation de l'ensemble moteur PH1400E/PH1420E/PHX1600.

### UTILISATION

**⚠ AVERTISSEMENT :** Veillez à ne pas devenir moins prudent au fur et à mesure que vous vous familiarisez avec cet outil. Gardez à l'esprit qu'une seconde d'inattention peut suffire pour provoquer des blessures graves.

**⚠ AVERTISSEMENT :** Portez toujours une protection oculaire avec boucliers latéraux. Et portez toujours une protection auditive. Sans ce type de protection, des objets peuvent être projetés dans vos yeux et d'autres blessures graves peuvent se produire.

### APPLICATIONS

Vous pouvez utiliser cet outil pour les usages listés ci-dessous :

- Couper autour des trottoirs, bordures, jardinières et autres surfaces similaires.

**REMARQUE :** L'outil ne doit être utilisé qu'à la finalité spécifiée pour lui. Tout autre usage est considéré impropre.

Avant chaque utilisation, inspectez l'outil pour détecter des pièces usées ou endommagées

Inspectez la tête de frappe, le capot de protection, la poignée auxiliaire avant, et remplacez les pièces fissurées, voilées, tordues ou présentant une autre détérioration.

**⚠ AVERTISSEMENT :** Pour éviter les blessures corporelles graves, retirez la batterie de l'outil avant de le réparer, de le nettoyer, de changer un accessoire ou d'enlever des matières de l'outil.

### UTILISER L'ACCESSOIRE COUPE-BORDURES AVEC UN ENSEMBLE MOTEUR

**⚠ AVERTISSEMENT :** Lorsque vous utilisez le taille-bordure, habillez-vous convenablement pour réduire les risques de blessures. Ne portez pas de vêtement ample ni de bijou. Portez des protections oculaires et auditives. Portez un pantalon long et épais, des bottes et des gants. Ne portez pas de shorts ni de sandales et ne soyez pas pieds nus. Portez un masque facial ou un masque à poussière dans les endroits poussiéreux.

**⚠ AVERTISSEMENT :** Éliminez tous les obstacles et les objets solides de la zone de travail.

Pour améliorer et sécuriser l'utilisation, placez la sangle d'épaule sur l'épaule comme montré. Réglez la sangle d'épaule dans une position d'utilisation confortable.

Tenez le coupe-bordures avec la main droite sur la poignée arrière et la main gauche sur la poignée de maintien avant. Gardez une prise ferme avec les deux mains pendant que vous utilisez l'outil. Le coupe-bordures doit être tenu dans une position confortable avec la poignée arrière à hauteur des hanches (Img. B).

**⚠ AVERTISSEMENT :** La sangle d'épaule est aussi un mécanisme de retrait rapide en cas de situation dangereuse. En cas d'urgence, retirez-la immédiatement de votre épaule, quelle que soit la manière dont elle est portée.

### Après chaque utilisation, nettoyez le coupe-bordures.

Consultez la section ENTRETIEN pour les instructions de nettoyage.

### AJUSTER LA PROFONDEUR DE COUPE

1. Arrêtez le moteur et retirez la batterie.
2. Desserrez le bouton de réglage de la profondeur dans la direction de la flèche de déverrouillage marquée sur le bouton (Img. C).
3. Déplacez la roue de guidage, ainsi que le guide-chaîne de réglage de la profondeur, vers le haut pour augmenter la profondeur de coupe ou vers le bas pour la réduire (Img. D).
4. Réglez la roue de guidage afin que la lame n'entre pas en contact avec le sol sur plus de 5mm (Img. E), puis serrez-la fermement.
5. En vous tenant dans la position de travail normale, vérifiez à nouveau la profondeur de coupe et corrigez-la si nécessaire.

### POUR DÉMARRER/ARRÊTER L'OUTIL

Voir la section «**DÉMARRER/ARRÊTER L'ENSEMBLE MOTEUR**» du manuel d'utilisation de l'ensemble moteur PH1400E/PH1420E/PHX1600.

## ASTUCES DE FONCTIONNEMENT

- Tenez et manipulez l'ensemble moteur de façon à ce que la lame soit à la verticale. Utilisez la ligne de vue pour aligner la lame sur le bord de la bordure (Img. F).
- N'allez pas plus vite qu'une vitesse de marche pendant le fonctionnement. Si la lame commence à s'embourber, c'est que vous coupez trop vite, réduisez votre allure.
- Marchez toujours vers l'avant lorsque vous coupez et déplacez le coupe-bordures vers l'avant. Ne tirez pas le coupe-bordures vers vous.
- Ne forcez pas le contact de la lame avec le sol. Un contact léger de la lame contre le bord de la chaussée, le trottoir etc. est acceptable et n'endommagera pas le coupe-bordures.
- De meilleurs résultats sont obtenus lorsque l'herbe est sèche. Évitez de couper des sols humides ou des zones d'herbes humides, la protection de la lame risque de s'embourber. Si la protection de la lame s'embourbe, arrêtez le moteur, retirez la batterie, et retirez les débris de la protection de la lame.

## ENTRETIEN

**⚠ AVERTISSEMENT :** Avant d'inspecter, de nettoyer ou de réparer l'unité, arrêtez le moteur, attendez que toutes les parties mobiles soient à l'arrêt, et retirez la batterie. Ne pas observer ces instructions peut conduire à de sérieuses blessures corporelles ou des dégâts matériels.

**⚠ AVERTISSEMENT :** L'outil ne doit être réparé qu'avec des pièces de rechange identique. Inspectez et entretenez l'outil régulièrement. Pour garantir la sécurité et la fiabilité, toutes les réparations doivent être effectuées par un réparateur qualifié.

### ENTRETIEN GÉNÉRAL

N'utilisez pas de solvant pour nettoyer les pièces en plastique. La plupart des plastiques peuvent être détériorés par de nombreux solvants différents vendus dans le commerce. Utilisez des chiffons propres pour enlever les saletés, les poussières, l'huile, la graisse, etc.

### NETTOYER L'OUTIL

- Après chaque utilisation, nettoyez les débris, les obstructions de terre ou d'herbes sur la lame et la protection avec une brosse souple. Essuyez la surface du coupe-bordures avec un chiffon propre humidifié avec de l'eau et du savon doux.
- Avec une petite brosse ou l'air sortant de la brosse de nettoyage d'un petit aspirateur, nettoyez les ouïes de

ventilation du boîtier arrière pour en enlever tous les débris.

**REMARQUE :** N'utilisez pas de détergent puissant sur le boîtier en plastique ou sur la poignée. Ils peuvent être endommagés par certaines huiles aromatiques comme le pin et le citron.

### CHANGER LA LAME

**⚠ AVERTISSEMENT :** N'essayez pas de redresser ou de souder une lame tordue ou fissurée car elle pourrait se casser, vous devez la changer. Il est recommandé de la remplacer uniquement par une lame de coupe-bordures EGO, voir la section «**Lame recommandée**».

**REMARQUE :** Remplacez la lame si sa longueur n'est pas suffisante pour maintenir la garde au sol nécessaire et obtenir la profondeur de coupe requise.

**⚠ AVERTISSEMENT :** Protégez-vous toujours les mains en portant des gants épais ou en recouvrant la lame à l'aide de chiffons ou d'autres matériaux lorsque vous effectuez des opérations d'entretien de la lame du coupe-bordures.

### Retirer la lame

1. Arrêtez le moteur et retirez la batterie.
2. Posez le coupe-bordures sur le dos de façon à ce que la lame pointe vers le haut.
3. Portez des gants protecteurs. Utilisez une pince à long bec (non incluse) pour retirer la goupille fendue de l'arbre du moteur (Img. G).
4. Faites tourner la lame pour aligner l'encoche de la bride avec le trou du carte d'engrenages (Img. G).

Image G Description des pièces, voir ci-dessous :

G-1	Goupille fendue
G-2	Bride intérieure
G-3	Cartier d'engrenages

5. Insérez la clé hexagonale fournie dans les trous alignés pour agir comme stabilisateur. Utilisez la clé multifonctions fournie pour desserrer l'écrou en tournant dans le **SENS HORAIRE** (Img. H).
6. Retirez l'écrou, la bride extérieure, la lame et la bride intérieure de l'arbre du moteur (Img. I). Vérifiez-les et remplacez-les s'ils sont usés.

Image I Description des pièces, voir ci-dessous :

I-1	Arbre du moteur	I-5	Lame
I-2	Bride intérieure	I-6	Bride externe
I-3	Encoche de la bride intérieure	I-7	Écrou
I-4	Renflement sur la bride intérieure	I-8	Goupille fendue



### Installation de la lame

1. Positionnez la bride intérieure sur l'arbre du moteur avec le renflement vers l'extérieur (Img. I).
2. Installez la nouvelle lame sur la bride intérieure, en vous assurant que la lame est fixée en place en toute sécurité (Img. J).
3. Installez la bride extérieure et l'écrou sur l'arbre, et pressez l'écrou dans le **SENS ANTIHORAIRE** à la main.
4. Suivez les étapes 4 & 5 ci-dessus de « Retirer la lame » pour stabiliser la lame afin de serrez fermement l'écrou dans le **SENS ANTIHORAIRE**.
5. Insérez une nouvelle goupille fendue fournie dans le trou de l'arbre du moteur. Pliez les deux pieds de la goupille dans des directions opposées grâce une à pince à long bec (non incluse) (Img. G).

### REMPLENER LA ROUE DE GUIDAGE

1. Arrêtez le moteur et retirez la batterie.
2. Posez le coupe-bordures sur le dos de façon à ce que la roue de guidage pointe vers le haut.
3. Desserrez le bouton de réglage de la profondeur dans la direction de la flèche de déverrouillage marquée sur le bouton et retirez-le.
4. Retirez la rondelle à ressort, la rondelle plate 1, la roue de guidage, la douille et la rondelle plate 2 de la tige-vis (Img. K). Vérifiez-les et remplacez-les s'ils sont usés.
5. Fixez tout d'abord la tige-vis dans le guide-chaîne de réglage de la profondeur, puis fixez la rondelle plate 2, la douille et la nouvelle roue, fixez ensuite la rondelle plate 1, la rondelle à ressort et le bouton d'ajustement de la profondeur sur la tige-vis en respectant la séquence indiquée sur l'Img. K.

Image K Description des pièces, voir ci-dessous :

K-1	Bouton de réglage de la profondeur	K-5	Douille
K-2	Rondelle à ressort	K-6	Rondelle plate 2
K-3	Rondelle plate 1	K-7	Tige-vis
K-4	Guide-chaîne	K-8	Guide-chaîne de réglage de la profondeur

**REMARQUE :** La roue de guidage doit être fixée avec les nervures plates vers l'intérieur (Img. L).

Image L Description des pièces, voir ci-dessous :

L-1	Vis	L-3	Volet à débris
L-2	Nervure plate	L-4	Panneau de fixation

6. Verrouillez le bouton de réglage de la profondeur.

### REMPLENER LA VOLET À DÉBRIS (Img. L)

1. Arrêtez le moteur et retirez la batterie.
2. Utilisez la clé hexagonale fournie pour desserrer les deux vis.
3. Retirez les vis, le panneau de fixation et le volet à débris usé.
4. Installez un nouveau volet à débris et verrouillez-le au panneau de fixation et aux deux vis.

### VÉRIFIER ET REMPLACER LE GUIDE-CHAÎNE/LE CAPOT DE PROTECTION ANTI-USURE (Img. M)

Vérifiez que le capot de protection anti-usure et le guide-chaîne ne soient pas endommagés avant de démarrer l'outil électrique. Le capot de protection anti-usure doit être remplacé dès que le carter à engrenages devient visible.

**REMARQUE :** Le carter à engrenages peut être sérieusement endommagé si vous ne remplacez pas le capot de protection anti-usure dès qu'il devient visible.

1. Arrêtez le moteur et retirez la batterie.
2. Portez des gants protecteurs. Faites pivoter la lame de façon à exposer les deux vis.
3. Utilisez la clé hexagonale fournie pour desserrer les deux vis, puis retirez-les.

**REMARQUE :** Si vous devez seulement remplacer le guide-chaîne, desserrez-le et retirez seulement la vis 1.

4. Remplacez le capot de protection anti-usure/le guide-chaîne usé ou déformé.
5. Assemblez le nouveau capot de protection anti-usure et le guide-chaîne sur le carter à engrenages et verrouillez-les avec deux vis.

Image M Description des pièces, voir ci-dessous :

M-1	Vis 1	M-4	Capot de protection anti-usure
M-2	Guide-chaîne	M-5	Trous de fixation
M-3	Vis 2	M-6	Carter d'engrenages

### RETIRER LE GUIDE-CHAÎNE

Si vous avez de l'expérience avec ce type de coupe-bordures, ou si vous trouvez que le guide-chaîne est un handicap pour votre travail de coupe, vous pouvez le retirer.

1. Desserrez puis retirez la vis 1.
2. Retirez le guide-chaîne.
3. Remettez en place et serrez la vis 1.

## LUBRIFICATION DES ENGRENAGES DE TRANSMISSION

Les engrenages de transmission du carter à engrenages doivent être lubrifiés régulièrement avec de la graisse pour engrenages. Vérifiez le niveau de graissage du carter à engrenages toutes les 50 heures de fonctionnement environ en retirant la vis à garniture d'étanchéité sur le côté du carter.

Si aucun graissage n'est visible sur les côtés de l'engrenage, suivez les étapes ci-dessous pour le remplir de graisse jusqu'au 3/4 de sa capacité.

Ne remplissez pas complètement les engrenages de transmission.

1. Positionnez le coupe-bordures vers le haut de façon à ce que la vis à garniture d'étanchéité soit tournée vers le haut (Img. N).
2. Utilisez la clé multifonctions fournie pour desserrez et retirez la vis à garniture d'étanchéité. Utilisez une seringue à graisse (non incluse) pour injecter un peu de graisse dans le trou de la vis. Ne dépassez pas les 3/4 de la capacité.
3. Serrez la vis à garniture d'étanchéité après injection.

## RANGER L'OUTIL

- Retirez la batterie du coupe-bordures.
- Nettoyez soigneusement et intégralement l'outil avant de le ranger.
- Si l'accessoire coupe-bordures est retiré de l'ensemble moteur et stockée séparément, installez le bouchon d'extrémité sur l'arbre de l'accessoire pour éviter que de la saleté n'entre dans le coupleur.
- Rangez l'outil dans un endroit sec et bien aéré, fermé à clé ou en hauteur, hors de portée des enfants. Ne rangez pas l'outil sur ou à côté d'engrais, d'essence ou d'autres substances chimiques.

## Protection de l'environnement



Ne jetez pas les équipements électriques, les batteries et les chargeurs usagés avec les ordures ménagères ! Apportez ce produit chez un recycleur agréé et rendez-le disponible pour une collecte séparée. Les machines électriques doivent être ramenées dans un centre de recyclage.

## DÉPANNAGE

PROBLÈME	CAUSE	SOLUTION
Le moteur refuse de démarrer.	<ul style="list-style-type: none"> <li>■ La batterie n'est pas insérée dans l'ensemble moteur.</li> <li>■ Il n'y a aucun contact électrique entre l'ensemble moteur et la batterie.</li> <li>■ La batterie est déchargée.</li> <li>■ Le levier de déverrouillage et l'interrupteur-gâchette ne sont pas tous les deux appuyés.</li> </ul>	<ul style="list-style-type: none"> <li>■ Insérez la batterie dans l'ensemble moteur.</li> <li>■ Retirez la batterie, vérifiez les contacts et réinstallez la batterie de façon à ce qu'elle soit bien en place.</li> <li>■ Chargez la batterie avec des chargeurs EGO listés dans ce manuel.</li> <li>■ Appuyez sur le levier de déverrouillage et maintenez-le appuyé, puis appuyez sur l'interrupteur-gâchette pour allumer le taille-bordure.</li> </ul>
L'ensemble moteur s'arrête pendant l'utilisation.	<ul style="list-style-type: none"> <li>■ Le moteur est en surcharge.</li> <li>■ La batterie ou l'ensemble moteur est trop chaud.</li> <li>■ La batterie est déconnectée de l'outil.</li> <li>■ La batterie est déchargée.</li> </ul>	<ul style="list-style-type: none"> <li>■ Le moteur se rallumera lorsque la charge est retirée. Pour un travail continu, diminuez la charge de l'ensemble moteur.</li> <li>■ Laissez la batterie ou l'ensemble moteur refroidir jusqu'à ce que sa température devienne inférieure à 67°C.</li> <li>■ Réinstallez la batterie.</li> <li>■ Chargez la batterie avec des chargeurs EGO listés dans ce manuel.</li> </ul>
Bord irrégulier	<ul style="list-style-type: none"> <li>■ L'herbe ou le sol coupé est trop humide.</li> <li>■ La protection de la lame est embourbée.</li> </ul>	<ul style="list-style-type: none"> <li>■ Évitez de couper un sol ou de l'herbe humide.</li> <li>■ Arrêtez le moteur, retirez la batterie, et retirez les débris de la protection de la lame.</li> </ul>

FR

## GARANTIE

### POLITIQUE DE GARANTIE EGO

Veuillez consulter le site [egopowerplus.eu](http://egopowerplus.eu) pour trouver l'ensemble des modalités et conditions de la politique de garantie EGO.

## ¡LEA TODAS LAS INSTRUCCIONES!



LEA EL MANUAL DEL USUARIO

ES

**⚠️ ADVERTENCIA:** Para garantizar la seguridad y fiabilidad de la herramienta, confíe cualquier reparación y sustitución de piezas que sea necesaria a personal técnico cualificado.

## SÍMBOLOS RELACIONADOS CON LA SEGURIDAD

El propósito de los símbolos de seguridad es el de atraer su atención hacia los posibles peligros que conlleva la utilización del producto. Los símbolos de seguridad y las explicaciones que los acompañan requieren su máxima atención y comprensión. Por sí solos, los símbolos de advertencia no eliminan los posibles peligros que pudieran existir. Las instrucciones y advertencias que aquí se incluyen no son sustitutas en modo alguno de las medidas de prevención adecuadas que deben tomarse para evitar posibles accidentes.

**⚠️ ADVERTENCIA:** Antes de utilizar esta herramienta, asegúrese de haber leído y entendido perfectamente todas las instrucciones incluidas en este Manual del usuario, incluidos todos los símbolos de aviso sobre seguridad, tales como **PELIGRO**, **ADVERTENCIA** y **PRECAUCIÓN**. De no observarse todas las instrucciones proporcionadas a continuación podría existir un riesgo de incendio, electrocución, así como de lesiones físicas graves.

## SIGNIFICADO DE LOS DISTINTOS SÍMBOLOS

**⚠️ SÍMBOLO DE AVISO DE SEGURIDAD:** señala algún tipo de **PELIGRO**, **ADVERTENCIA** o **PRECAUCIÓN** a tener en cuenta. Este símbolo podrá utilizarse de manera conjunta con otros símbolos o pictogramas.



**⚠️ ADVERTENCIA:** Es posible que, cuando se utilizan herramientas eléctricas, salgan despedidos objetos que podrían causar lesiones oculares severas si no se utiliza equipo de protección personal adecuado. Antes de empezar a usar herramientas eléctricas, póngase siempre gafas de seguridad, gafas con cristales anti-impacto que cuenten con pantallas de protección lateral, o bien una máscara facial que proteja completamente la cara. Recomendamos la

utilización de máscaras de seguridad de amplia visión que pueden utilizarse encima de gafas graduadas, o bien gafas normales de seguridad equipadas con pantallas laterales.

## INSTRUCCIONES RELACIONADAS CON LA SEGURIDAD

Esta página muestra y describe los símbolos de seguridad que puede haber en este producto. Asegúrese de leer, entender perfectamente y observar todas las instrucciones estampadas o proporcionadas con el producto antes de proceder a su montaje y utilización.

	Aviso de seguridad	Indica un peligro potencial de lesiones personales.
	Leer el Manual del usuario	Para reducir en lo posible el riesgo de lesiones, será necesario leer y entender perfectamente el Manual del usuario antes de proceder a utilizar este producto.
	Utilice protección auditiva y ocular	Utilice siempre gafas de seguridad, gafas con cristales anti-impacto que cuenten con pantallas de protección lateral, o bien una máscara facial que proteja completamente la cara cuando se sirva de este producto.
	Longitud de la cuchilla de la bordeadora	Longitud de la cuchilla de la bordeadora
	Mantener alejadas a otras personas	La distancia entre la máquina y otras personas debe ser al menos 15 m.
	Dirección de rotación de la cuchilla del cortabordes	Indica la dirección de rotación de la cuchilla del cortabordes.
	Objetos despedidos	Examine minuciosamente la superficie donde vaya a utilizarse el equipo y retire piedras, ramas, cables, huesos o cualquier otro objeto extraño.

	Utilice calzado de seguridad	Lleve calzado de seguridad antideslizante siempre que utilice este equipo.
	Cuchilla de corte rotatoria	No coloque las manos o los pies cerca o debajo de los elementos en rotación.
	Mantenga suficiente distancia respecto a las líneas eléctricas	Para evitar la electrocución, no lo utilice a una distancia inferior a 15m de líneas eléctricas aéreas. El contacto con las líneas eléctricas o el uso cerca de las mismas podría provocar lesiones graves o una descarga eléctrica con resultado mortal.
	CE	Este producto está en conformidad con las directivas de la CE aplicables.
	UKCA	Este producto cumple la legislación aplicable del Reino Unido.
	RAEE	Los residuos eléctricos no deberán ser desechados con el resto de la basura doméstica. Llévelos a un punto limpio autorizado.
	Ruido	Nivel de potencia acústica garantizado. Emisiones de ruido al medio ambiente en conformidad con la Directiva de la Unión Europea.
V	Voltios	Tensión
mm	Milímetro	Longitud o tamaño
cm	Centímetro	Longitud o tamaño
kg	Kilogramo	Peso
	Corriente continua	Tipo o característica de la corriente

### ADVERTENCIAS DE SEGURIDAD GENERALES DE LA MÁQUINA

**⚠ ADVERTENCIA:** Lea todas las advertencias de seguridad, instrucciones, ilustraciones y especificaciones incluidas con esta máquina. Si no se cumplen todas las instrucciones que se enumeran a continuación, pueden producirse descargas eléctricas, incendios o lesiones graves.

### CONSERVE TODAS LAS INSTRUCCIONES Y ADVERTENCIAS PARA PODER CONSULTARLAS EN EL FUTURO.

El término «máquina» que aparece en las advertencias se refiere a la máquina que funciona conectada a la red eléctrica (con cable) o a la máquina a batería (sin cable).

ES

### SEGURIDAD EN LA ZONA DE TRABAJO

- **Mantenga la zona de trabajo limpia y bien iluminada.** Las áreas de trabajo desordenadas y oscuras favorecen los accidentes.
- **No utilice máquinas en entornos explosivos, por ejemplo, en presencia de líquidos, gases o polvo inflamables.** Las máquinas crean chispas que pueden encender el polvo o los humos.
- **Mantenga a los niños y las demás personas alejados cuando esté utilizando una máquina.** Las distracciones podrían hacerle perder el control de la herramienta.

### PAUTAS DE SEGURIDAD ELÉCTRICA

- **Los enchufes de las máquinas deben coincidir con la toma de corriente. No modifique nunca el enchufe de ningún modo. Nunca utilice enchufes adaptadores o ladrones de corriente con máquinas equipadas con conexión a tierra.** Si no se modifican los enchufes y estos corresponden con las tomas de corriente, se reducirán enormemente los riesgos de electrocución.
- **Evite cualquier contacto corporal con superficies conectadas a tierra, como tuberías, radiadores, hornillos eléctricos y frigoríficos.** Existe un mayor riesgo de descarga eléctrica si su cuerpo tiene conexión a tierra.
- **No utilice la máquina en condiciones de lluvia o humedad.** La entrada de agua en la máquina puede aumentar el riesgo de descarga eléctrica o de mal funcionamiento, lo cual podría provocar lesiones personales.
- **No maltrate el cable. Nunca utilice el cable para transportar, arrastrar, o desenchufar la máquina. Mantenga el cable alejado del calor, el aceite, los bordes afilados o las piezas móviles.** Los cables dañados o enredados aumentan el riesgo de descarga eléctrica.
- **Cuando use una máquina al aire libre, utilice un cable alargador adecuado para uso en exteriores.** Si se usa un cable adecuado para exteriores, se reducirá el riesgo de descarga eléctrica.
- **Si es inevitable usar una máquina en un entorno húmedo, utilice una alimentación con un interruptor de protección diferencial (GFCI, por sus**

siglas en inglés). La utilización de un interruptor de protección diferencial reducirá el riesgo de descarga eléctrica.

## SEGURIDAD PERSONAL

ES

- **Manténgase alerta, preste atención a lo que está haciendo y aplique el sentido común durante el uso de una máquina. No utilice una máquina si está cansado o se encuentra bajo los efectos de estupefacientes, alcohol o fármacos.** Cualquier momento de descuido durante la utilización de máquinas podría provocar lesiones físicas graves.
- **Utilice equipo de protección personal. Utilice siempre protección ocular.** El equipo de protección, como máscaras antipolvo, calzado de seguridad antideslizante, casco protector o protección auditiva, cuando se utiliza adecuadamente, reduce las lesiones personales.
- **Evite la puesta en marcha accidental de la herramienta. Asegúrese de que el interruptor de encendido se encuentra en la posición de apagado antes de enchufar la máquina a la red eléctrica y/o de acoplar la batería, así como al agarrar o transportar la máquina.** Transportar máquinas con el dedo en el interruptor o con el interruptor en la posición de encendido aumenta el riesgo de accidente.
- **Retire cualquier llave de ajuste o llave inglesa de la máquina antes de encenderla.** Una llave inglesa o una llave de ajuste enganchada a una parte giratoria de la máquina puede producir lesiones.
- **No se estire demasiado para alcanzar lugares de difícil acceso. Mantenga una posición firme y equilibrada en todo momento.** Esto permite un mejor control de la máquina en situaciones inesperadas.
- **Utilice ropa adecuada. No lleve puesta ropa holgada ni joyas. Mantenga el pelo, la ropa y los guantes alejados de las piezas móviles.** La ropa holgada, así como las joyas o el pelo, largo podrían engancharse en las partes móviles de la herramienta.
- **Si se incluyen dispositivos de conexión a extractores y colectores de polvo, asegúrese de conectarlos y utilizarlos adecuadamente.** El uso de un colector de polvo puede reducir los riesgos asociados con el polvo.
- **El hecho de haberse familiarizado con la máquina por el uso frecuente no debe hacer que se descuide e ignore los principios de seguridad de la misma.** Una distracción puede provocar lesiones graves en una fracción de segundo.

## USO Y CUIDADO DE LA MÁQUINA

- **No fuerce la máquina. Utilice la máquina correcta para su aplicación.** La máquina correcta funcionará

mejor y con más seguridad a la velocidad para la que ha sido diseñada.

- **No use la máquina si el interruptor no funciona para encenderla y apagarla.** Cualquier máquina que no pueda controlarse mediante su interruptor, supondrá un peligro y deberá repararse antes de poder utilizarse.
- **Desconecte el enchufe de la toma de corriente y/o retire la batería de la máquina antes de realizar algún ajuste, cambiar de accesorios o guardarla.** Estas medidas de seguridad preventivas reducen el riesgo de arranque accidental de la máquina.
- **Cuando no se utilice la máquina, guárdela fuera del alcance de los niños y no permita que la use ninguna persona que no esté familiarizada con la máquina o con estas instrucciones.** Las máquinas son peligrosas en manos de usuarios no entrenados.
- **Realice el mantenimiento de las máquinas y los accesorios. Compruebe si hay elementos móviles desalineados o trabados, piezas rotas u otra circunstancia que pueda afectar al funcionamiento de la máquina. Si la máquina está dañada, llévela a reparar antes de usarla.** Muchos accidentes se deben a un mantenimiento deficiente de las máquinas.
- **Mantenga las máquinas de corte afiladas y limpias.** Las máquinas de corte bien afiladas tienen menos probabilidades de atascarse y son más fáciles de controlar.
- **Use la máquina, los accesorios, las brocas, etc., siguiendo las instrucciones y teniendo en cuenta las condiciones de trabajo y la tarea a realizar.** El uso de la máquina para fines diferentes a los previstos podría provocar situaciones de peligro.
- **Mantenga las asas y las superficies de agarre secas, limpias y libres de aceite y grasa.** Si las asas y las superficies de agarre están resbaladizas, no se puede manejar la máquina de forma segura ni mantener el control en las situaciones inesperadas.

## USO Y CUIDADO DE LA MÁQUINA A BATERÍA

- **Recargue únicamente con el cargador especificado por el fabricante.** Un cargador que es adecuado para un tipo de batería podría ocasionar un incendio si se utiliza con una batería distinta.
- **Utilice las máquinas solo con las baterías diseñadas específicamente para ellas.** El uso de cualquier otro tipo de batería puede provocar riesgo de lesiones e incendio.
- **Cuando no se esté utilizando la batería, manténgala apartada de objetos metálicos como clips para papeles, monedas, llaves, clavos, tornillos, o cualquier otro objeto metálico pequeño que pudiera provocar un cortocircuito en sus**

**terminales de corriente.** Si se provoca el cortocircuito en los terminales de la batería, podrían producirse quemaduras o incendios.

- **En condiciones de uso intensivo, es posible que se produzca una fuga de líquido de la batería; evite el contacto. Enjuague con agua si se produce un contacto accidental. Si el líquido entra en contacto con los ojos, solicite también atención médica.** El líquido que emana de la batería puede provocar irritaciones o quemaduras.
- **No utilice una batería o una máquina que haya sido modificada o que esté dañada.** Las baterías dañadas o modificadas pueden tener un comportamiento impredecible y provocar un incendio, explosión o riesgo de lesiones.
- **No exponga la batería ni la máquina al fuego ni a una temperatura excesiva.** La exposición al fuego o a una temperatura superior a 130 °C podría provocar una explosión.
- **Siga todas las instrucciones de carga y no cargue la batería ni la máquina fuera del rango de temperatura especificado en las instrucciones.** Una carga incorrecta o a temperaturas fuera del rango especificado puede dañar la batería y aumentar el riesgo de incendio.

#### PRECAUCIONES IMPORTANTES DE SEGURIDAD

**⚠ ADVERTENCIA:** Cuando se utilicen cortabordes con cabezal de hilo, deberán adoptarse siempre ciertas precauciones de seguridad básicas a fin de reducir posibles riesgos de incendio, electrocución y lesiones físicas. Además, deberán tenerse en cuenta las advertencias siguientes:

#### LEA DETENIDAMENTE TODAS LAS INSTRUCCIONES ANTES DE UTILIZAR LA HERRAMIENTA

#### CONSERVE ESTA INFORMACIÓN COMO REFERENCIA FUTURA

**⚠ ¡PELIGRO!** No confíe exclusivamente en el aislamiento de la herramienta a modo de prevención contra posibles descargas eléctricas. Para reducir en lo posible cualquier riesgo de electrocución, nunca utilice la herramienta cerca de cables o tendidos eléctricos (alimentación, etc.) que pudieran estar bajo tensión.

**⚠ PRECAUCIÓN:** Utilice protección auditiva adecuada mientras se sirve de la herramienta. En ciertas condiciones de uso y en función del tiempo de exposición, el ruido generado por este producto podría dañar su capacidad auditiva.

#### Formación

- Lea detenidamente las instrucciones proporcionadas.

Familiarícese con los mandos, así como con la manera correcta de utilizar su herramienta.

- Nunca permita que utilicen la herramienta las personas que no estén familiarizadas con estas instrucciones ni los niños. En algunos casos, es posible que la legislación local estipule una edad mínima para poder utilizar este tipo de herramientas.
- No utilice nunca el cortabordes cuando haya cerca otras personas, especialmente niños, o mascotas.
- Le recordamos que el operario o usuario de la herramienta será responsable de cualquier accidente o peligro que su utilización pudiera suponer para otras personas o bienes de terceros.

#### Preparativos preliminares

- Mientras trabaja, utilice siempre protección ocular y auditiva, calzado de protección y pantalones largos.
- Examine minuciosamente la superficie donde vaya a utilizarse el equipo y retire piedras, ramas, cables, huesos o cualquier otro objeto extraño.
- Antes de utilizar la herramienta, examine las cuchillas, el perno de la cuchilla y el conjunto del sistema de corte por si presentasen desgaste o daños. Sustituya simultáneamente la cuchilla dañada o desgastada con sus tornillos para mantener así el equilibrado correcto del conjunto.

#### Utilización

- Utilice únicamente el cortabordes a plena luz del día o cuando haya una iluminación artificial adecuada.
- Asegúrese siempre de tener los pies firmemente apoyados sobre el suelo cuando utilice la herramienta en pendientes o terreno con desniveles.
- Desplácese lentamente mientras utiliza la herramienta; nunca corra.
- Extreme la precaución al retroceder o al tirar hacia usted del cortabordes.
- Asegúrese de que la cuchilla se ha detenido antes de cruzar superficies distintas de hierba, así como cuando transporte el cortabordes a y desde el área a cortar.
- No utilice nunca el cortabordes sin las protecciones o con las protecciones montadas de forma incorrecta.
- No cambie los ajustes del regulador del motor ni acelere excesivamente el motor.
- Pulse el interruptor de encendido del motor con cuidado, de acuerdo con las instrucciones de seguridad y con el foso para los pies alejado de la(s) cuchilla(s).
- No lo incline cuando encienda el motor; a menos que el cortabordes deba inclinarse para arrancar. En tal caso, no lo incline más que lo absolutamente necesario y levante solo la parte que esté más alejada del usuario.

- No ponga en marcha el motor cuando haya alguna persona delante de la(s) cuchilla(s).
- No coloque las manos o los pies cerca o debajo de los elementos en rotación.
- Apague siempre el motor y desconéctelo de la batería.
  - 1) Antes de eliminar bloqueos;
  - 2) Antes de comprobar, limpiar o llevar a cabo cualquier operación en la(s) cuchilla(s);
  - 3) Tras haber golpeado cualquier objeto extraño: Inspeccione si se han producido daños en la(s) cuchilla(s) y efectúe cualquier reparación antes de volver a poner en marcha y utilizar el cortabordes;
  - 4) En caso de que se produzcan vibraciones anormales en el cortabordes (verifíquelo inmediatamente).
- Apague el motor siempre que abandone el cortabordes.
- No recargue el acumulador bajo la lluvia ni en entornos excesivamente húmedos.
- Utilizar solo con los acumuladores y cargadores enumerados en la fig. A.
- Deberá retirarse el acumulador de la herramienta antes de proceder a su eliminación.
- El acumulador deberá eliminarse de manera segura.
- No elimine el acumulador arrojándolo al fuego. Sus celdas podrían explotar. Consulte la normativa local referente a los procedimientos de eliminación especiales previstos a tal efecto.
- No desarme ni dañe en modo alguno el acumulador. El electrolito que podría liberarse es corrosivo y podría provocar lesiones oculares o cutáneas. Asimismo, podría ser tóxico si se ingiere.
- Tome las precauciones adecuadas al manipular los acumuladores a fin de no provocar cortocircuitos con materiales conductores, tales como anillos, pulseras y llaves. Cualquier cortocircuito podría provocar el sobrecalentamiento del acumulador o material conductor, con el consiguiente riesgo de sufrir quemaduras.
- Las herramientas que funcionan a batería no requieren enchufarse en una toma de corriente. Por lo tanto, siempre están listas para funcionar. Sea consciente de los posibles peligros implicados, incluso cuando la herramienta no está funcionando. Preste especial atención al efectuar reparaciones u operaciones de mantenimiento en la herramienta.
- No limpie la herramienta utilizando una manguera. Evite que penetre agua en el motor o en las conexiones eléctricas.

## Mantenimiento y almacenamiento

- Mantenga todas las tuercas, los pernos y los tornillos bien apretados para garantizar que el equipo se encuentre en condiciones de uso seguras.
- Sustituya aquellas piezas que presenten cualquier tipo de desgaste o daño.
- No intente reparar la máquina por su cuenta a menos que tenga la cualificación adecuada para ello.
- Utilice únicamente recambios y accesorios recomendados por el fabricante.
- Desconecte la máquina de la batería antes de llevar a cabo cualquier operación de mantenimiento o limpieza.
- Examine la herramienta a intervalos periódicos y lleve a cabo las operaciones de mantenimiento que sean necesarias. Confíe cualquier reparación que sea necesario efectuar en la herramienta a un servicio técnico autorizado.
- Cuando no la esté utilizando, guarde la herramienta en un lugar fuera del alcance de los niños.
- De darse alguna situación que no estuviera cubierta en este manual, asegúrese de actuar con cuidado y buen juicio. Póngase en contacto con el departamento de atención al cliente de EGO en caso de que necesite asistencia al respecto.
- Conserve estas instrucciones. Consúltelas con frecuencia y utilícelas para instruir a otras personas que vayan a utilizar esta herramienta. En caso de prestar esta herramienta a terceros, proporciónelas también estas instrucciones a fin de evitar su uso incorrecto y posibles riesgos de lesiones.

## CONSERVE ESTAS INSTRUCCIONES EN UN LUGAR SEGURO!

**NOTA: CONSULTE EL MANUAL DEL USUARIO DEL CONJUNTO DE MOTOR PARA OBTENER INSTRUCCIONES DE SEGURIDAD ESPECÍFICAS ADICIONALES.**

## ESPECIFICACIONES

Longitud de corte de la cuchilla	20 cm
Profundidad de corte	Hasta 75 mm
Peso	2,26 kg
Temperatura de funcionamiento	-15°C - 40°C
Temperatura de almacenamiento	-20°C - 70°C



Nivel de potencia acústica ponderado $L_{WA}$	92,4 dB(A) K=2,07 dB(A) (PH1400E)	
	90,7 dB(A) K=1,46 dB(A) (PH1420E)	
	90 dB(A) K=1,3 dB(A) (PHX1600)	
Nivel de presión acústica medido a la altura del oído del usuario $L_{PA}$	79,8 dB(A) K=3 dB(A) (PH1400E)	
	81,2 dB(A) K=3 dB(A) (PH1420E)	
	84 dB(A) K=3 dB(A) (PHX1600)	
Nivel de potencia acústica garantizado $L_{WA}$ (medido según 2000/14/CE)	95 dB(A)	
Nivel de vibraciones ( $a_h$ )	Empuñadura auxiliar delantera	1,2 m/s <sup>2</sup> K=1,5 m/s <sup>2</sup> (PH1400E)
		1,95 m/s <sup>2</sup> K=1,5 m/s <sup>2</sup> (PH1420E)
		1,6 m/s <sup>2</sup> K=1,5 m/s <sup>2</sup> (PHX1600)
	Empuñadura trasera	2,2 m/s <sup>2</sup> K=1,5 m/s <sup>2</sup> (PH1400E)
		1,66 m/s <sup>2</sup> K=1,5 m/s <sup>2</sup> (PH1420E)
		1,53 m/s <sup>2</sup> K=1,5 m/s <sup>2</sup> (PHX1600)

- Los parámetros anteriores se han comprobado y medido equipando un conjunto de motor PH1400E/PH1420E/PHX1600;
- El nivel total de vibraciones especificado ha sido medido conforme al método de prueba estándar empleado en la industria y puede utilizarse para efectuar comparaciones entre herramientas;
- Asimismo, el nivel total de vibraciones declarado podrá utilizarse para efectuar una evaluación preliminar de

la exposición del usuario a los niveles de vibración generados por la herramienta.

**AVISO:** Las vibraciones generadas durante el uso real de la herramienta eléctrica podrán diferir del valor declarado en función de la manera en que se utilice. A modo de protección, el usuario deberá utilizar guantes y protectores auditivos en condiciones reales de uso.

## LISTA DE EMBALAJE

DENOMINACIÓN DE PIEZA	CANTIDAD
Accesorio de cortabordes	1
Llave hexagonal	1
Llave multifunción	1
Pasador de chaveta	2
Manual de instrucciones	1

## Cuchilla recomendada

DENOMINACIÓN DE LA PIEZA	N.º DE MODELO:
Cuchilla de cortabordes	AEB0800

## DESCRIPCIÓN

### CONOZCA SU ACCESORIO DE CORTABORDES (Fig. A)

1. Tapón
2. Eje de cortabordes
3. Protector de cuchilla
4. Cuchilla
5. Mando de ajuste de profundidad
6. Rueda de guía
7. Llave hexagonal
8. Llave multifunción
9. Barra de guía de ajuste de profundidad
10. Aleta de desechos
11. Pasador de chaveta
12. Tornillo para bloquear la placa de guía en su sitio
13. Placa de guía

## CONJUNTO

**⚠ ADVERTENCIA:** Si alguna pieza falta o está rota, no utilice el producto hasta haber sustituido las piezas rotas o instalado las que faltan. Podrían producirse lesiones físicas graves en caso de utilizar el producto si alguna de sus piezas falta o está dañada.

**⚠ ADVERTENCIA:** No intente modificar esta herramienta en modo alguno ni fabricar accesorios no recomendados para su uso en este cortabordes con cabezal de hilo. Cualquier alteración o modificación se considerará uso indebido y podría provocar una situación peligrosa con riesgo de sufrir lesiones graves.

**⚠ ADVERTENCIA:** Para evitar una puesta en marcha accidental que podría causar lesiones graves, quite siempre la batería de la máquina antes de montar piezas.

**⚠ ADVERTENCIA:** Utilice siempre guantes al instalar o sustituir la protección. Tenga cuidado con la cuchilla instalada en la protección y protéjase las manos adecuadamente para evitar cortarse.

**⚠ ADVERTENCIA:** Nunca utilice la máquina sin la protección instalada y firmemente sujeta en su sitio. ¡La protección deberá estar siempre instalada en la máquina para proteger al usuario! Cuando la protección esté fijada, no intente nunca quitarla o ajustarla. ¡En caso de que haya que sustituirla, deberá hacerlo un técnico cualificado!

## CONEXIÓN DEL ACCESORIO DE CORTABORDES AL CONJUNTO DE MOTOR

Este accesorio de cortabordes está diseñado para su uso con el conjunto de motor con batería de iones de litio de 56 V EGO PH1400E/PH1420E/PHX1600.

Véase la sección “**INSTALACIÓN DE UN ACCESORIO EN EL CONJUNTO DE MOTOR**” del manual del usuario del conjunto de motor PH1400E/PH1420E/PHX1600.

## UTILIZACIÓN

**⚠ ADVERTENCIA:** No permita que la confianza que supone el hecho de estar familiarizado con el producto dé lugar a descuidos. Recuerde que cualquier distracción de una fracción de segundos es suficiente para sufrir o provocar lesiones graves.

**⚠ ADVERTENCIA:** Utilice siempre gafas de seguridad con pantallas de protección lateral, así como protección auditiva. De lo contrario, los objetos despedidos por la acción de la herramienta podrían alcanzar sus ojos y provocar lesiones graves oculares o de otro tipo.

## APLICACIONES

Este producto podrá utilizarse para los fines indicados a continuación:

- Corte de bordes en paseos, curvas, parterres y otras áreas similares.

**AVISO:** La herramienta deberá utilizarse únicamente para el fin previsto. Cualquier otro uso se considerará uso indebido.

## Antes de cada utilización, examine la herramienta para determinar la posible existencia de piezas dañadas o desgastadas.

Examine el cabezal de impacto, la guarda de protección y empuñadura auxiliar delantera. Sustituya cualquier pieza que esté agrietada, deformada, doblada o presente cualquier tipo de daño.

**⚠ ADVERTENCIA:** Para evitar en lo posible sufrir lesiones físicas graves, asegúrese siempre de retirar el pack de la batería de la herramienta antes de proceder a efectuar cualquier reparación, limpieza, sustitución de accesorios y elementos de corte, así como de retirar acumulaciones de material cortado.

## UTILIZACIÓN DEL ACCESORIO DE CORTABORDES CON EL CONJUNTO DE MOTOR

**⚠ ADVERTENCIA:** Asegúrese de vestir adecuadamente al utilizar esta herramienta a fin de reducir en lo posible cualquier riesgo de lesiones físicas. No lleve puesta ropa holgada ni joyas. Utilice protección ocular y auditiva. Utilice pantalones largos, botas y guantes resistentes. No lleve pantalones cortos, sandalias, ni vaya descalzo. Asimismo, utilice una mascarilla antipolvo o protección respiratoria si usa la herramienta en entornos polvorientos.

**⚠ ADVERTENCIA:** Retire cualquier obstáculo y objeto sólido del área de trabajo.

Para un funcionamiento mejor y más seguro, póngase la correa bandolera cruzada desde el hombro. Ajuste la correa bandolera en una posición cómoda para utilizar la herramienta.

Sujete el cortabordes con la mano derecha sobre la empuñadura trasera y la mano izquierda sobre la empuñadura auxiliar delantera. Mantenga un agarre firme con las dos manos mientras utiliza la herramienta. El cortabordes deberá sujetarse en una posición cómoda con la empuñadura trasera aproximadamente a la altura de la cadera (Fig. B).

**⚠ ADVERTENCIA:** La correa bandolera también es un mecanismo de liberación rápida si se produce una situación peligrosa. En caso de emergencia, quítesela del hombro inmediatamente, sin importar cómo esté colocada la correa.

**Asegúrese de limpiar el cortabordes después de cada utilización.**

Consulte la sección de MANTENIMIENTO para las instrucciones de limpieza.

### AJUSTE DE LA PROFUNDIDAD DE CORTE

1. Apague el motor y retire el pack de la batería.
2. Afloje el mando de ajuste de la profundidad en la dirección de la flecha de desbloqueo marcada sobre el mando (Fig. C).
3. Desplace la rueda de guía, junto con la barra de guía de ajuste de la profundidad, hacia arriba para incrementar la profundidad de corte o hacia abajo para reducir la profundidad (Fig. D).
4. Ajuste la rueda de guía de modo que la cuchilla simplemente toque el suelo o rompa la superficie del suelo no más de 5 mm (Fig. E) y, a continuación, apriete de modo seguro.
5. En la posición de trabajo normal, compruebe la profundidad de corte de nuevo y corríjala si fuera necesario.

### PARA PONER EN MARCHA/APAGAR LA HERRAMIENTA

Véase la sección "PUESTA EN MARCHA / APAGADO DEL CONJUNTO DE MOTOR" del manual del usuario del conjunto de motor PH1400E/PH1420E/PHX1600.

### CONSEJOS DE USO

- Sujete y guíe el conjunto de motor de modo que la cuchilla quede en posición vertical. Utilice la línea de vista para alinear la cuchilla con el borde del parterre (Fig. F).
- No utilice a más velocidad del paso de caminar normal. Si la cuchilla comenzara a atascarse, tal vez esté cortando demasiado rápido; ralentice el paso.
- Camine siempre hacia adelante cuando corte y desplace el cortabordes también hacia adelante. No tire del cortabordes hacia usted.
- No fuerce a penetrar la cuchilla en el suelo. Un ligero contacto de la cuchilla contra el borde del paseo, la curva, etc. será aceptable y no dañará el cortabordes.
- Obtendrá unos resultados óptimos si la hierba está seca. Evite cortar en zonas de suelo o hierba mojados ya que la protección de la cuchilla podría atascarse y producir un borde irregular. Si la protección de la cuchilla se atascara, apague el motor, quite el pack de la batería y retire cualquier resto de la protección de la cuchilla.

## MANTENIMIENTO

**⚠ ADVERTENCIA:** Antes de inspeccionar, limpiar o prestar servicio a la unidad, apague el motor, espere a que se detengan todas las partes móviles y retire el pack de la batería. El incumplimiento de estas instrucciones podría tener como resultado lesiones personales graves o daños materiales.

**⚠ ADVERTENCIA:** Cuando efectúe reparaciones en la herramienta, utilice únicamente piezas idénticas a las originales. Examine la herramienta a intervalos periódicos y lleve a cabo las operaciones de mantenimiento que sean necesarias. Para garantizar la seguridad y fiabilidad del producto, confíe cualquier reparación que sea necesaria a personal técnico cualificado.

### MANTENIMIENTO GENERAL

Evite utilizar disolventes para limpiar los elementos plásticos del producto. La mayoría de las piezas de plástico utilizadas son susceptibles de sufrir daños si se limpian con algunos de los tipos de disolventes de uso industrial disponibles en el mercado. Utilice paños limpios para eliminar la suciedad y los residuos de polvo, aceite, grasa, etc.

### LIMPIEZA DE LA HERRAMIENTA

Después de cada uso, limpie los restos, la tierra o la hierba atascados en la cuchilla y en la protección de ésta con una brocha suave. Limpie la superficie del cortabordes con un paño limpio, humedecido con una solución de agua y detergente suave.

Utilice un cepillo pequeño o el accesorio tipo cepillo de una aspiradora para limpiar las obstrucciones de los orificios de ventilación de la carcasa trasera.

**AVISO:** No utilice detergentes fuertes sobre la carcasa de plástico o en la empuñadura. Ciertos aceites aromáticos, tales como aquellos a base de limón o resina de pino podrían dañar estas piezas.

### SUSTITUCIÓN DE LA CUCHILLA

**⚠ ADVERTENCIA:** No intente enderezar o soldar una cuchilla curvada o agrietada: podría romperse. Deberá sustituirse. Sustituya únicamente por una cuchilla para cortabordes de EGO; consulte la sección "Cuchilla recomendada".

**AVISO:** Sustituya la cuchilla si su longitud ya no fuera suficiente para mantener la separación necesaria del suelo y obtener la profundidad de corte requerida.

**⚠ ADVERTENCIA:** Proteja siempre sus manos utilizando guantes gruesos o envolviendo la cuchilla en paños u otros materiales cuando lleve a cabo

cualquier operación de mantenimiento en la cuchilla del cortabordes.

## Extracción de la cuchilla

1. Apague el motor y retire el pack de la batería.
2. Ponga el cortabordes sobre su parte trasera, de modo que la cuchilla quede mirando hacia arriba.
3. Utilice guantes de protección. Utilice unos alicates de punta de aguja (no incluidos) para retirar el pasador de chaveta del eje motor (Fig. G).
4. Gire la cuchilla para alinear la ranura de la brida con el orificio de la caja de engranajes (Fig. G).

Fig. G, véase a continuación la descripción de las piezas:

G-1	Pasador de chaveta
G-2	Brida interior
G-3	Caja de engranajes

5. Inserte la llave hexagonal suministrada en los orificios alineados para que actúe como un estabilizador. Emplee la llave multifunción suministrada para aflojar la tuerca **EN EL SENTIDO DE LAS AGUJAS DEL RELOJ** (Fig. H).
6. Retire la tuerca, la brida exterior, la cuchilla y la brida interior del eje motor (Fig. I). Verifíquelas y sustitúyalas si estuvieran gastadas.

Fig. I, véase a continuación la descripción de las piezas:

I-1	Eje motor	I-5	Cuchilla
I-2	Brida interior	I-6	Brida exterior
I-3	Ranura de la brida interior	I-7	Tuerca
I-4	Protuberancia de la brida interior	I-8	Pasador de chaveta

## Instalación de la cuchilla

1. Coloque la brida interior sobre el eje motor con la protuberancia mirando hacia fuera (Fig. I).
2. Instale la cuchilla nueva sobre la brida interior, asegurándose de que la cuchilla quede montada en su sitio de forma segura (Fig. J).
3. Monte la brida exterior y la tuerca sobre el eje y preapriete la tuerca **EN EL SENTIDO CONTRARIO DE LAS AGUJAS DEL RELOJ** a mano.
4. Siga los pasos 4 y 5 anteriores de la sección "Extracción de la cuchilla" para estabilizar la cuchilla y apriete de modo seguro la tuerca en **EL SENTIDO CONTRARIO DE LAS AGUJAS DEL RELOJ**.

5. Introduzca un pasador de chaveta suministrado en el orificio del eje motor. Curve las dos patas del pasador en sentidos opuestos con unos alicates de punta de aguja (no incluidos) (Fig. G).

## SUSTITUCIÓN DE LA RUEDA DE GUÍA

1. Apague el motor y retire el pack de la batería.
2. Ponga el cortabordes sobre su parte trasera, de modo que la rueda de guía quede mirando hacia arriba.
3. Afloje el mando de ajuste de la profundidad en la dirección de la flecha de desbloqueo marcada sobre el mando y quítelo.
4. Retire la arandela de resorte, la arandela plana 1, la rueda de guía, el buje y la arandela plana del tubo del tornillo (Fig. K). Verifíquelos y sustitúyalos si estuvieran gastados.
5. Monte el tubo del tornillo a través de la barra de guía de ajuste de la profundidad en primer lugar y, a continuación, monte la arandela plana 2, el buje y la rueda nueva y luego monte la arandela plana 1, la arandela de resorte y el mando de ajuste de la profundidad sobre el tubo del tornillo en la secuencia mostrada en la Fig. K.

Fig. K, véase a continuación la descripción de las piezas:

K-1	Mando de ajuste de profundidad	K-5	Buje
K-2	Arandela de resorte	K-6	Arandela plana 2
K-3	Arandela plana 1	K-7	Tubo del tornillo
K-4	Rueda de guía	K-8	Barra de guía de ajuste de profundidad

**AVISO:** La rueda de guía deberá montarse con las nervaduras planas mirando hacia dentro (Fig. L).

Fig. L, véase a continuación la descripción de las piezas:

L-1	Tornillos	L-3	Aleta de desechos
L-2	Nervadura plana	L-4	Placa de fijación

6. Bloquee el mando de ajuste de la profundidad.

## SUSTITUCIÓN DE LA ALETA DE DESECHOS (Fig. L)

1. Apague el motor y retire el pack de la batería.
2. Utilice la llave hexagonal suministrada para aflojar los dos tornillos.

3. Retire los tornillos, la placa de fijación y la aleta de desechos gastada.
4. Sustituya por una aleta de desechos nueva y bloquéela con la placa de fijación y los dos tornillos.

### COMPROBACIÓN Y SUSTITUCIÓN DE LA PROTECCIÓN ANTIDESGASTE/PLACA DE GUÍA (Fig. M)

Compruebe si la protección antidesgaste y la placa de guía presentan daños antes de poner en marcha la herramienta eléctrica. La protección antidesgaste deberá sustituirse en cuanto la caja de engranajes se haga visible.

**AVISO:** La caja de engranajes podría resultar dañada gravemente si no se sustituye la protección antidesgaste en cuanto la caja de engranajes sea visible.

1. Apague el motor y retire el pack de la batería.
2. Utilice guantes de protección. Gire la cuchilla según sea necesario para dejar expuestos los dos tornillos.
3. Utilice la llave hexagonal suministrada para aflojar los dos tornillos y extraerlos.

**AVISO:** Si solamente necesitara sustituir la placa de guía, afloje y quite solamente el tornillo 1.

4. Sustituya la protección antidesgaste/placa de guía deformadas o gastadas.
5. Monte la protección antidesgaste y la placa de guía nuevas sobre la caja de engranajes y bloquéelas con los dos tornillos.

Fig. M, véase a continuación la descripción de las piezas:

M-1	Tornillo 1	M-4	Protección antidesgaste
M-2	Placa de guía	M-5	Orificios de montaje
M-3	Tornillo 2	M-6	Caja de engranajes

### RETIRADA DE LA PLACA DE GUÍA

Si tiene experiencia con este tipo de cortabordes, o si encontrara que la placa de guía constituye un estorbo en su operación de corte, podrá retirarla.

1. Afloje y retire el tornillo 1.
2. Retire la placa de guía
3. Vuelva a colocar y a apretar el tornillo 1.

### LUBRICACIÓN DE LOS ENGRANAJES DE TRANSMISIÓN

Los engranajes de transmisión de la caja de engranajes deberán lubricarse periódicamente con grasa para engranajes. Compruebe el nivel de grasa de la caja de engranajes aproximadamente cada 50 horas de uso retirando el tornillo de sellado del lateral de la caja.

Si no se ve grasa en los lados de los engranajes, siga los pasos que se presentan a continuación para rellenar con grasa para engranajes hasta una capacidad de 3/4.

No rellene por completo los engranajes de transmisión con grasa.

1. Coloque el cortabordes vertical de modo que el tornillo de sellado quede mirando hacia arriba (Fig. N).
2. Emplee la llave multifunción suministrada para aflojar y retirar el tornillo de sellado. Utilice una jeringa de grasa (no incluida) para inyectar la grasa en el orificio del tornillo; no sobrepase la capacidad de 3/4.
3. Apriete el tornillo de sellado tras la inyección.

### ALMACENAMIENTO DE LA HERRAMIENTA

- Retire el pack de batería del cortabordes.
- Limpie minuciosamente la herramienta antes de proceder a su almacenamiento.
- Si el accesorio del cortabordes se retirara del conjunto de motor y se almacenara por separado, acople el tapón sobre el eje del accesorio para evitar que entre suciedad en el acoplador.
- Almacene la herramienta en un lugar seco y bien ventilado, ya sea cerrado o a una altura suficiente que impida que los niños puedan alcanzarla. No la guarde encima ni cerca de fertilizantes, gasolina u otros productos químicos.

### Protección del medio ambiente



¡No elimine aparatos eléctricos, baterías usadas ni cargadores de baterías junto con los desperdicios domésticos! Lleve este producto a un punto de reciclaje autorizado y dépositelo por separado según corresponda. Las máquinas eléctricas se deben llevar a un punto de reciclaje con el fin de proteger el medio ambiente.

## RESOLUCIÓN DE PROBLEMAS

ES

ANOMALÍA	CAUSA	SOLUCIÓN
El motor no arranca.	<ul style="list-style-type: none"> <li>■ El pack de la batería no está acoplado al conjunto de motor.</li> <li>■ No hay contacto eléctrico entre el conjunto de motor y el pack de batería.</li> <li>■ El acumulador está agotado.</li> <li>■ No ha presionado simultáneamente la palanca de desbloqueo y el gatillo interruptor.</li> </ul>	<ul style="list-style-type: none"> <li>■ Acople el pack de batería al conjunto de motor.</li> <li>■ Retire la batería, compruebe los contactos eléctricos y vuelva a instalar el pack de batería de modo que encaje en su sitio.</li> <li>■ Cargue el pack de batería con los cargadores EGO que aparecen en este manual.</li> <li>■ Empuje hacia abajo el botón de desbloqueo y manténgalo en dicha posición. Apriete el gatillo para poner en marcha el conjunto de motor.</li> </ul>
El conjunto de motor se para durante el uso.	<ul style="list-style-type: none"> <li>■ El motor se ha sobrecargado</li> <li>■ El pack de batería o el conjunto de motor se han sobrecalentado.</li> <li>■ El pack de batería está desconectado de la herramienta.</li> <li>■ El pack de batería está agotado.</li> </ul>	<ul style="list-style-type: none"> <li>■ El motor se recuperará cuando se retire la carga. Para un trabajo continuo, reduzca la carga del conjunto de motor.</li> <li>■ Espere a que el pack de batería o el conjunto de motor se hayan enfriado lo suficiente para que su temperatura sea inferior a 67°C.</li> <li>■ Vuelva a instalar en su sitio el pack de batería.</li> <li>■ Cargue el pack de batería con los cargadores EGO que aparecen en este manual.</li> </ul>
Corte de bordes irregular	<ul style="list-style-type: none"> <li>■ La hierba o el suelo cortados están demasiado húmedos.</li> <li>■ La protección de la cuchilla está atascada.</li> </ul>	<ul style="list-style-type: none"> <li>■ Evite el corte en suelo o hierba mojados.</li> <li>■ Apague el motor, extraiga el pack de la batería y retire cualquier resto de la protección de la cuchilla.</li> </ul>

## GARANTÍA

### POLÍTICA DE GARANTÍA EGO

Por favor visite nuestra página web [egopowerplus.eu](http://egopowerplus.eu) para los terminos y las condiciones completas de la política de garantía EGO.

## LEIA TODAS AS INSTRUÇÕES!



### LEIA O MANUAL DE INSTRUÇÕES

**AVISO:** Para assegurar a segurança e bom funcionamento, todas as reparações e substituições deverão ser efetuadas por um técnico de reparação qualificado.

## SÍMBOLOS DE SEGURANÇA

O objetivo dos símbolos de segurança é chamar a atenção para possíveis perigos. Os símbolos de segurança e as respetivas explicações apresentadas requerem a sua atenção e compreensão. Os avisos de segurança, só por si, não eliminam o perigo. As instruções e avisos dados não são substitutos para medidas de prevenção adequadas a acidentes.

**AVISO:** Certifique-se de que lê e compreende todas as instruções de segurança neste manual do utilizador, incluindo todos os símbolos de alerta de segurança, como “PERIGO”, “AVISO”, e “CUIDADO” antes de utilizar esta ferramenta. Não seguir todas as instruções apresentadas abaixo pode resultar em choque elétrico, incêndio e/ou lesões graves.

## SIGNIFICADO DOS SÍMBOLOS

**SÍMBOLO DE ALERTA DE SEGURANÇA:** Indica **PERIGO**, **AVISO** ou **CUIDADO**. Pode ser usado juntamente com outros símbolos ou imagens.







**AVISO:** O funcionamento de qualquer ferramenta elétrica pode dar origem ao ressalto de quaisquer objetos estranhos que podem atingir os olhos, podendo dar origem a sérias lesões oculares. Antes de começar a utilizar a ferramenta elétrica, utilize sempre óculos de segurança com proteções laterais e uma proteção completa para o rosto, quando necessário. Recomendamos a utilização de máscaras de segurança com visão panorâmica por cima dos óculos ou óculos de segurança padrão com proteção lateral.

## INSTRUÇÕES DE SEGURANÇA

Esta página retrata e descreve os símbolos de segurança que podem aparecer neste produto. Leia, compreenda e siga todas as instruções na máquina antes de a tentar montar e utilizar.

	Alerta de segurança	Indica um potencial perigo de lesões pessoais.
	Leia o manual do utilizador	Para reduzir o risco de lesões, o utilizador tem de ler e compreender o manual do utilizador antes de utilizar este produto.
	Use proteções auditivas e oculares.	Utilize sempre óculos de segurança com proteção lateral e, se necessário, uma proteção completa do rosto, quando utilizar este produto.
	Comprimento da lâmina do aparador	Comprimento da lâmina do aparador
	Mantenha terceiros afastados	A distância entre a máquina e terceiros deve ser de, pelo menos, 15 m.
	Direção da rotação da lâmina do aparador.	Indica a direção de rotação da lâmina do aparador.
	Objetos atritados	Inspeccione cuidadosamente a superfície onde vai utilizar o equipamento e retire quaisquer pedras, paus, ossos e outros objetos estranhos.
	Use calçado de segurança.	Use calçado de segurança anti-derrapante quando usar este equipamento.
	Lâmina de corte rotativa	Não coloque as mãos ou pés perto ou debaixo das peças rotativas.
	Mantenha uma distância suficiente das linhas elétricas.	Para evitar a eletrocussão, não trabalhe a menos de 15 metros de linhas elétricas. O contacto com linhas elétricas pode causar lesões sérias ou choque elétrico que pode dar origem a morte.
	CE	Este produto encontra-se em conformidade com as diretivas CE aplicáveis.

PT

	UKCA	Este produto está em conformidade com a legislação aplicável do Reino Unido.
	WEEE	Os produtos elétricos residuais não deverão ser eliminados juntamente com o lixo doméstico comum. Entregue-os num centro de reciclagem autorizado.
	Ruído	Nível de potência do som garantido. Emissão de ruído para o ambiente de acordo com a diretiva da Comunidade Europeia.
V	Volts	Tensão
mm	Milímetro	Comprimento ou tamanho
cm	Centímetro	Comprimento ou tamanho
kg	Quilograma	Peso
	Corrente direta	Tipo ou característica da corrente

## AVISOS GERAIS DE SEGURANÇA DA MÁQUINA

**⚠ AVISO:** Leia todos os avisos de segurança, instruções, ilustrações e especificações fornecidas com esta máquina. Não seguir todas as instruções apresentadas abaixo pode resultar em choque elétrico, incêndio e/ou ferimentos graves.

### GUARDE TODOS OS AVISOS E INSTRUÇÕES PARA FUTURAS REFERÊNCIAS.

O termo “máquina” nos avisos diz respeito à sua máquina alimentada pela rede (com fio) ou com bateria (sem fio).

### SEGURANÇA NA ÁREA DE TRABALHO

- **Mantenha a área de trabalho limpa e bem iluminada.** Áreas desarrumadas ou escuras são propícias a acidentes.
- **Não utilize máquinas em atmosferas explosivas, tal como na presença de líquidos inflamáveis, gases ou pó.** As máquinas produzem faíscas que podem atear o pó ou fumos.
- **Mantenha as crianças e pessoas que passem afastadas enquanto utilizar uma máquina.** As distrações podem fazer com que perca o controlo.

### SEGURANÇA ELÉTRICA

- **A ficha tem de corresponder à tomada. Nunca modifique uma ficha de forma alguma. Não**

**utilize qualquer adaptador com máquinas com ligação à terra.** Fichas não modificadas e tomadas correspondentes reduzirão o risco de choque elétrico.

- **Evite o contacto corporal com superfícies com ligação à terra, tais como tubos, radiadores, faixas e frigoríficos.** Existe um risco acrescido de choque elétrico se o seu corpo estiver ligado à terra.
- **Não utilize a máquina à chuva ou em condições húmidas.** A entrada de água na máquina pode aumentar o risco de choque elétrico ou mau funcionamento que pode dar origem a ferimentos.
- **Não force o fio da alimentação. Nunca utilize o fio para transportar, puxar ou desligar a máquina. Mantenha o fio afastado do calor, óleo, arestas afiadas ou peças móveis.** Fios danificados ou presos aumentam o risco de choque elétrico.
- **Quando estiver a trabalhar com uma máquina ao ar livre, utilize uma extensão adequada para a utilização no exterior.** A utilização de um fio adequado ao exterior reduz o risco de choque elétrico.
- **Se for inevitável trabalhar com a máquina num local húmido, use um Interruptor de Circuito de Falha de Ligação à Terra (GFCI).** A utilização de um ICFLT reduz o risco de choque elétrico.

### SEGURANÇA PESSOAL

- **Mantenha-se alerta, observe o que está a fazer e use senso comum quando estiver a trabalhar com uma máquina. Não utilize a máquina enquanto estiver cansado ou sob o efeito de drogas, álcool ou medicação.** Um momento de falta de atenção enquanto utiliza a máquina pode dar origem a ferimentos sérios.
- **Use equipamento pessoal de proteção. Use sempre proteção ocular.** O equipamento de segurança, tal como máscara respiratória, calçado de segurança antiderrapante, capacete de segurança ou proteção auditiva, utilizado nas condições adequadas reduzirá a hipótese de ferimentos.
- **Evite ligações sem intenção. Certifique-se de que o interruptor se encontra na posição de desligado antes de ligar à alimentação e/ou bateria e antes de pegar ou transportar a máquina.** Transportar a máquina com o seu dedo no interruptor ou fornecer energia à máquina que tenha o interruptor na posição de ligado convida a acidentes.
- **Retire qualquer chave de ajuste ou chave de fendas antes de ligar a máquina.** Uma chave de fendas ou uma chave deixada ligada a uma peça rotativa da máquina pode dar origem a ferimentos.
- **Não se estique. Mantenha sempre a base e o equilíbrio adequados.** Isso proporciona um melhor controlo da máquina em situações inesperadas.



- **Vista-se adequadamente. Não use roupa larga nem joalheria. Mantenha o seu cabelo e roupa afastados das peças móveis.** Roupa larga, joias ou cabelo comprido podem ser apanhados pelas peças em movimento.
- **Se forem fornecidos dispositivos para a ligação de extração de pó e facilidades de recolha, certifique-se de que estes estão ligados e de que são devidamente utilizados.** A utilização de dispositivos de extração do pó pode reduzir os perigos relacionados com o pó.
- **Não permita que a familiarização ganhe com a utilização de máquinas o torne mais complacente e ignore os princípios de segurança da máquina.** Uma ação descuidada pode causar graves ferimentos numa fração de segundo.

#### UTILIZAÇÃO E CUIDADOS COM A MÁQUINA

- **Não force a máquina. Utilize a máquina correta para a sua aplicação.** A máquina correta fará o trabalho melhor e de forma mais segura à taxa para a qual foi concebida.
- **Não utilize a máquina se o interruptor não der para ligar e desligar.** Qualquer máquina que não possa ser controlada com o interruptor é perigosa e deve ser reparada.
- **Desligue a ficha da alimentação e/ou retire a bateria da máquina, se amovível, antes de fazer quaisquer ajustes, mudar de acessórios ou armazenar a máquina.** Tais medidas preventivas de segurança reduzem o risco de ligar a máquina acidentalmente.
- **Guarde a máquina desligada fora do alcance de crianças e não permita que pessoas estranhas à máquina ou a estas instruções trabalhem com a máquina.** As máquinas são perigosas nas mãos de utilizadores sem formação.
- **Proceda à manutenção das máquinas e respetivos acessórios. Verifique se existem desalinhamentos ou colagem das peças móveis, quebra de peças e qualquer outra condição que possa afetar o funcionamento da máquina. Se estiver danificada, leve a máquina para ser reparada antes da utilização.** Muitos acidentes são causados por máquinas mantidas de forma deficiente.
- **Mantenha as máquinas de corte afiadas e limpas.** Máquinas de corte devidamente mantidas e com arestas de corte afiadas têm uma menor probabilidade de prender e são mais fáceis de controlar.
- **Use a máquina, acessórios e brocas, etc., de acordo com estas instruções, tendo em conta as condições de trabalho e o trabalho a ser efetuado.** A utilização da máquina para operações diferentes das pretendidas pode resultar numa situação perigosa.
- **Mantenha as pegas e superfícies de prensão secas, limpas e sem óleo ou gordura.** Pegas e

superfícies de prensão escorregadias não permitem o manuseamento seguro nem o controlo da máquina em situações inesperadas.

#### CUIDADOS E UTILIZAÇÃO DA BATERIA

- **Recarregue apenas com os carregadores especificados pelo fabricante.** Um carregador que seja adequado para um tipo de bateria pode criar um risco de incêndio quando usado com outra bateria.
- **Utilize máquinas apenas com as baterias especificamente designadas.** A utilização de outras baterias pode criar um risco de ferimentos e incêndio.
- **Quando não usar a bateria, mantenha-a afastada de outros objetos de metal, como cliques de papel, moedas, chaves, pregos, parafusos ou outros pequenos objetos de metal que possam fazer a ligação entre os dois terminais.** Colocar os terminais da bateria em curto-circuito pode dar origem a queimaduras ou fogo.
- **Sob condições abusivas, pode ser ejetado líquido da bateria; evite o contacto. Se ocorrer um contacto accidental, lave com água abundante. Se o líquido entrar em contacto com os olhos, procure ajuda médica.** O líquido ejetado da bateria pode provocar irritação ou queimaduras.
- **Não use a bateria nem a máquina se estiverem danificadas ou modificadas.** Baterias danificadas ou modificadas podem apresentar comportamentos imprevisíveis, dando origem a fogo, explosão ou risco de ferimentos.
- **Não exponha a bateria ou a máquina ao fogo ou temperatura excessiva.** A exposição ao fogo ou a temperaturas acima dos 130 °C pode causar uma explosão.
- **Siga todas as instruções de carregamento e não carregue a bateria nem a máquina a uma temperatura fora dos parâmetros especificados nas instruções.** Carregar incorretamente ou a temperaturas fora dos parâmetros especificados pode danificar a bateria e aumentar o risco de fogo.

#### INSTRUÇÕES DE SEGURANÇA IMPORTANTES

**⚠ AVISO:** Quando se utilizarem aparadores de fio, devem adotar-se sempre medidas de segurança básicas para reduzir o risco de incêndio, de descargas elétricas e de lesões pessoais, incluindo o seguinte:

#### LEIA ATENTAMENTE ANTES DE UTILIZAR

#### GUARDE PARA FUTURA REFERÊNCIA

**⚠ PERIGO:** Não confie apenas no isolamento da ferramenta contra choques elétricos. Para reduzir o risco de eletrocussão, nunca utilize o aparelho perto de quaisquer fios ou cabos (eletricidade, etc.) que possam transportar corrente elétrica.

**⚠ CUIDADO:** Utilize equipamento de proteção auditiva adequada durante a utilização. Em algumas condições e durações de utilização, o ruído proveniente deste produto pode contribuir para a perda de audição.

## Treino

- Leia estas instruções com atenção. Familiarize-se com todos os controles e com a utilização correcta da máquina.
- Nunca permita que pessoas que não estejam familiarizadas com as instruções ou crianças utilizem o aparelho. Os regulamentos locais podem restringir a idade do utilizador.
- Nunca apare com pessoas, especialmente crianças ou animais por perto.
- Tenha em conta que o operador ou utilizador é o responsável por acidentes ou perigos que ocorram a outras pessoas ou à sua propriedade.

## Preparação

- Enquanto apare, use sempre proteção ocular e auditiva, calçado resistente e calças compridas.
- Inspeccione cuidadosamente a superfície onde vai utilizar o equipamento e retire quaisquer pedras, paus, ossos e outros objetos estranhos.
- Antes da utilização, inspeccione sempre visualmente se as lâminas, parafuso da lâmina e o conjunto de corte não estão gastos ou danificados. Substitua parafusos e lâminas gastas ou danificadas e outros componentes em simultâneo, para preservar o equilíbrio.

## Funcionamento

- Apare apenas à luz do dia ou com boa luz artificial.
- Nos locais inclinados, certifique-se sempre do local onde coloca os pés.
- Caminhe, nunca corra.
- Tenha muito cuidado quando virar ou puxar o aparador na sua direção.
- Certifique-se de que a lâmina parou antes de passar por superfícies que não sejam relvadas e quando transportar o aparador de e para a área a ser aparada.
- Nunca utilize o aparador com proteções defeituosas, em falta ou colocadas incorretamente.
- Não mude as configurações do motor, nem aumente a velocidade do motor.
- Ligue cuidadosamente o motor de acordo com as instruções e com os pés bem afastados das lâminas.
- Não incline quando ligar o motor, a não ser que a roçadeira tenha de ser inclinada para ligar. Neste caso, não incline mais do que o absolutamente necessário e

levante apenas a parte que está afastada do operador.

- Não ligue o motor quando houver pessoas à frente das lâminas.
- Não coloque as mãos ou pés perto ou debaixo das peças rotativas.
- Desligue sempre o motor e retire a bateria.
  - 1) Antes de limpar bloqueios;
  - 2) Antes de verificar, limpar ou efetuar trabalhos nas lâminas;
  - 3) Após bater num objeto estranho: Inspeccione as lâminas quanto a danos e faça as reparações necessárias antes de reiniciar e utilizar o aparador;
  - 4) Se o aparador começar a vibrar anormalmente (verifique imediatamente).
- Pare o motor sempre que deixar o aparador.
- Não carregue a bateria à chuva ou em condições húmidas.
- Utilize apenas com as baterias e carregadores listados na imagem A.
- A bateria tem de ser retirada do equipamento antes de ser eliminada.
- A bateria tem de ser eliminada de modo seguro.
- Não atire a bateria para o fogo. As células podem explodir. Verifique as normas locais quanto a possíveis instruções especiais de eliminação.
- Não abra, nem altere a bateria. O eletrólito libertado é corrosivo e pode causar lesões nos olhos ou pele. Pode ser tóxico se engolido.
- Tenha muito cuidado ao manusear as baterias, de modo a não colocá-las em curto-circuito com materiais condutores, como anéis, pulseiras e chaves. A bateria ou o condutor podem sobreaquecer e causar queimaduras.
- As ferramentas que funcionam a bateria não têm de ser ligadas a uma tomada elétrica; assim, estão sempre em estado de funcionamento. Tenha cuidado com possíveis perigos quando o aparelho não estiver a funcionar. Tenha cuidado quando efetuar a manutenção ou reparações.
- Não lave com uma mangueira. Evite que entre água no motor e nas ligações elétricas.

## Manutenção e arrumação

- Mantenha todas as porcas e parafusos bem apertados, para se certificar de que o aparelho está em boas condições de funcionamento.
- Substitua as peças gastas ou danificadas.
- Não tente reparar a máquina, a não ser que tenha qualificações para isso.
- Use apenas peças sobresselentes e acessórios recomendados pelo fabricante.

- Desligue a máquina da bateria antes de efetuar trabalhos de limpeza ou manutenção.
- Inspeccione e efetue a manutenção da máquina com regularidade. A máquina apenas deve ser reparada por um reparador autorizado.
- Quando não usar a máquina, guarde-a fora do alcance de crianças.
- Se ocorrerem situações que não sejam abrangidas por este manual, tenha cuidado e faça uso do bom senso. Contacte o centro de reparação da EGO para obter assistência.
- Guarde estas instruções. Consulte com frequência e utilize estas instruções para instruir outras pessoas sobre a forma de utilizar este equipamento. Se emprestar este aparelho, entregue também as instruções, para evitar uma má utilização do produto e possíveis lesões.

### GUARDE ESTAS INSTRUÇÕES!

**NOTA: CONSULTE O MANUAL DE INSTRUÇÕES DA SUA CABEÇA MOTORA PARA OBTER AS REGRAS DE SEGURANÇA ADICIONAIS ESPECÍFICAS.**

## ESPECIFICAÇÕES

Comprimento da lâmina	20 cm
Profundidade ao aparar	Até 75 mm
Peso	2,26 kg
Temperatura de funcionamento	-15°C a 40°C
Temperatura de armazenamento	-20°C a 70°C
Nível de potência do som medido $L_{WA}$	92,4 dB(A) K=2,07 dB(A) (PH1400E)
	90,7 dB(A) K=1,46 dB(A) (PH1420E)
	90 dB(A) K=1,3 dB(A) (PHX1600)

Nível da pressão do som no ouvido do operador $L_{PA}$	79,8 dB(A) K=3 dB(A) (PH1400E)
	81,2 dB(A) K=3 dB(A) (PH1420E)
	84 dB(A) K=3 dB(A) (PHX1600)
Nível de potência acústica garantido $L_{WA}$ (medido de acordo com 2000/14/CE)	
Vibração $a_h$	Pega dianteira
	1,2 m/s <sup>2</sup> K=1,5 m/s <sup>2</sup> (PH1400E)
	1,95 m/s <sup>2</sup> K=1,5 m/s <sup>2</sup> (PH1420E)
	1,6 m/s <sup>2</sup> K=1,5 m/s <sup>2</sup> (PHX1600)
	Pega traseira
	2,2 m/s <sup>2</sup> K=1,5 m/s <sup>2</sup> (PH1400E)
1,66 m/s <sup>2</sup> K=1,5 m/s <sup>2</sup> (PH1420E)	
1,53 m/s <sup>2</sup> K=1,5 m/s <sup>2</sup> (PHX1600)	

PT

- As definições apresentadas anteriormente são testadas e medidas equipadas com a cabeça motora PH1400E/PH1420E/PHX1600;
- O valor total declarado da vibração foi medido de acordo com um método de teste padrão e pode ser usado para comparar duas ferramentas;
- O valor total declarado da vibração também pode ser usado numa avaliação preliminar da exposição.

**AVISO:** A emissão de vibrações durante a utilização da ferramenta elétrica pode diferir do valor declarado em que a ferramenta é usada. De modo a proteger o utilizador, este deverá utilizar luvas e proteção auditiva nas condições atuais de utilização.

## LISTA DE PEÇAS

NOME DA PEÇA	QUANTIDADE
Acessório aparador	1
Chave de Fendas	1
Chave multifunções	1
Perno	2
Manual de funcionamento	1

### Lâmina recomendada

NOME DA PEÇA	NÚMERO DO MODELO
Lâmina do aparador	AEB0800

## DESCRIÇÃO

### CONHECER O SEU ACESSÓRIO APARADOR (Imagem A)

1. Tampão da extremidade
2. Eixo do aparador
3. Proteção da lâmina
4. Lâmina
5. Manípulo de ajuste da profundidade
6. Roda guia
7. Chave sextavada
8. Chave multifunções
9. Barra guia de ajuste da profundidade
10. Aba dos resíduos
11. Perno
12. Parafuso para fixar a placa guia no respetivo lugar
13. Placa guia

## MONTAR

**AVISO:** Se quaisquer peças estiverem danificadas ou em falta não utilize este produto até as peças serem substituídas. Utilizar este produto com peças danificadas ou em falta pode dar origem a lesões pessoais sérias.

**AVISO:** Não tente modificar este produto nem criar acessórios que não sejam recomendados para utilizar com este aparador de fio. Qualquer alteração ou modificação é considerada uma má utilização e pode dar origem a perigos, que podem levar a possíveis lesões pessoais sérias.

**AVISO:** Para evitar um arranque acidental que possa causar ferimentos sérios, retire sempre a bateria da máquina durante a montagem das peças.

**AVISO:** Use sempre luvas quando montar ou substituir a proteção. Tenha cuidado com a lâmina na proteção e proteja a sua mão contra cortes.

**AVISO:** Nunca utilize a máquina sem a proteção bem colocada. A proteção tem de estar sempre na máquina para proteger o utilizador. Quando a proteção estiver fixada, nunca tente retirar nem ajustar a proteção. Se for necessário substituí-la, isso deverá ser efetuado por um técnico de reparação qualificado!

### LIGAR O ACESSÓRIO APARADOR À CABEÇA MOTORA

Este acessório aparador foi criado para ser usado com a cabeça motora EGO de 56V de ião e lítio PH1400E/PH1420E/PHX1600.

Consulte a secção “**INSTALAR UM ACESSÓRIO NA CABEÇA MOTORA**” no manual de utilização da cabeça motora PH1400E/PH1420E/PHX1600.

## FUNCIONAMENTO

**AVISO:** Não deixe que a sua familiaridade com o produto o torne descuidado. Lembre-se, uma fração de segundo de desatenção é suficiente para infligir ferimentos graves.

**AVISO:** Utilize sempre proteções oculares com escudos laterais. Juntamente com proteção auditiva. O não cumprimento pode resultar na projeção de objetos para os olhos e outros possíveis ferimentos graves.

### APLICAÇÕES

Pode utilizar este produto para os objetivos abaixo listados:

- Aparar a relva nos passeios, lancis, canteiros e outras áreas semelhantes.

**AVISO:** A ferramenta tem de ser usada apenas conforme descrito. Qualquer outra utilização será considerada má utilização.

### Antes de cada utilização, verifique se existem peças gastas/danificadas.

Verifique a cabeça de choque, proteção, pega dianteira e substitua as peças rachadas, torcidas, dobradas ou danificadas de algum modo.

**AVISO:** Para evitar lesões pessoais sérias, retire a bateria antes da reparação, limpeza, mudança de acessórios ou remoção de material da unidade.

## USAR O ACESSÓRIO APARADOR COM A CABEÇA MOTORA

**⚠ AVISO:** Vista-se adequadamente para reduzir o risco de lesões quando utilizar este aparelho. Não utilize roupa larga ou jóias. Use proteções oculares e auditivas. Use calças compridas e resistentes, mangas compridas, botas e luvas. Não utilize roupa curta, sandálias nem ande descalço. Use uma máscara para o rosto ou máscara do pó em locais poeirentos.

**⚠ AVISO:** Elimine todos os obstáculos e objetos sólidos da área de trabalho.

Por razões de segurança e para um melhor funcionamento, coloque a alça para os ombros. Ajuste a alça numa posição de funcionamento confortável.

Segure o aparador com a mão direita na pega traseira e a mão esquerda na pega dianteira. Agarre firmemente com ambas as mãos durante a utilização da ferramenta. Deve segurar o aparador numa posição confortável, mantendo a pega traseira sensivelmente à altura da anca (Imagem B).

**⚠ AVISO:** A alça para o ombro é também um mecanismo de libertação rápida em situações perigosas. Quando ocorre uma emergência, retire-a imediatamente do seu ombro, não importa o modo como a alça se encontra.

### Após cada utilização, limpe o aparador.

Consulte a secção MANUTENÇÃO para obter instruções de limpeza.

### AJUSTAR A PROFUNDIDADE DE CORTE

1. Pare o motor e retire a bateria.
2. Desaperte o manípulo de ajuste da profundidade na direção da seta de desbloquear assinalada no manípulo (Imagem C).
3. Mova a roda guia ao longo da barra de orientação de ajuste da profundidade para cima para aumentar a profundidade de corte, ou para baixo para diminuir a profundidade (Imagem D).
4. Ajuste a roda guia de modo a que a lâmina toque apenas no chão ou entre pela superfície do solo não mais do que 5 mm (Imagem E) e depois aperte bem.
5. Estando na posição normal de trabalho, verifique de novo a profundidade de corte e corrija, se necessário.

### LIGAR/DESLIGAR A FERRAMENTA

Consulte a secção "LIGAR/DESLIGAR A CABEÇA MOTORA" no manual de utilização da cabeça motora PH1400E/PH1420E/PHX1600.

### DICAS DE FUNCIONAMENTO

- Segure e oriente a cabeça motora de modo a que a lâmina fique na vertical. Use o ângulo de visão para alinhar a lâmina com a extremidade do leito (Imagem F).
- Trabalhe a um ritmo normal. Se a lâmina começar a engonhar, significa que está a trabalhar demasiado depressa. Abrande o seu ritmo.
- Ande sempre para a frente quando cortar, e mova o aparador para a frente. Não puxe o aparador na sua direção.
- Não force a lâmina no chão. É aceitável um ligeiro contacto da lâmina com a extremidade do passeio, lancil, etc., e não danifica o aparador.
- Obtem melhores resultados quando a relva estiver seca. Evite aparar solo molhado ou áreas com relva molhada, pois a proteção da lâmina pode ficar obstruída e dar origem a extremidades desniveladas. Se a proteção da lâmina ficar obstruída, pare o motor, retire a bateria e retire os resíduos da proteção da lâmina.

## MANUTENÇÃO

**⚠ AVISO:** Antes de inspecionar, limpar ou reparar a unidade, pare o motor, espere que todas as peças móveis parem por completo e retire a bateria. O não seguimento destas instruções pode dar origem a lesões corporais sérias ou danos de propriedade.

**⚠ AVISO:** Quando fizer reparações, utilize apenas peças sobressalentes idênticas. Inspeccione e efetue a manutenção da máquina com regularidade. Para assegurar a segurança e bom funcionamento, todas as reparações deverão ser efetuadas por um técnico de reparação qualificado.

### MANUTENÇÃO GERAL

Evite usar solventes quando limpar peças de plástico. Grande parte dos plásticos é susceptível a danos devido a vários tipos de solventes comerciais. Use panos limpos para retirar a sujidade, pó, óleo, gordura, etc.

### LIMPEZA DA UNIDADE

- Após cada utilização, limpe os resíduos, obstruções ou relva na lâmina e na proteção com uma escova suave. Limpe a superfície do aparador com um pano limpo embebido numa solução neutra de sabão.
- Utilize uma pequena escova ou a descarga de ar de uma pequena escova aspiradora para desobstruir as entradas de ar na estrutura traseira.

**AVISO:** Não utilize detergentes fortes na estrutura de plástico ou na pega. Estes podem ser danificados por determinados óleos aromáticos, como pinho e limão.

## SUBSTITUIÇÃO DA LÂMINA

**⚠️ AVISO:** Não tente reforçar ou soldar lâminas rachadas. Estas podem partir. Têm de ser substituídas. Recomendamos a substituição apenas por uma lâmina aparadora EGO. Consulte a secção “Lâmina recomendada”.

**PT**

**AVISO:** Substitua a lâmina se o seu comprimento já não for suficiente para manter o espaço necessário até ao chão e obter a profundidade de corte desejada.

**⚠️ AVISO:** Proteja sempre as suas mãos usando luvas resistentes ou embrulhando a lâmina com trapos ou com outros materiais quando efetuar qualquer manutenção na lâmina do aparador.

### Retirar a lâmina

1. Pare o motor e retire a bateria.
2. Coloque o aparador de costas, de modo a que a lâmina fique virada para cima.
3. Use luvas de proteção. Use um alicate de nariz de agulha (não incluído) para remover o perno do eixo do motor (Imagem G).
4. Rode a lâmina para alinhar a ranhura no rebordo com o orifício na estrutura do carreto (Imagem G).

Imagem G: descrição das peças apresentada abaixo:

G-1	Perno
G-2	Rebordo interior
G-3	Estrutura do carreto

5. Insira a chave sextavada fornecida nos orifícios alinhados para agir como estabilizador. Use uma chave multifunções fornecida para desapertar a porca **NO SENTIDO DOS PONTEIROS DO RELÓGIO** (Imagem H).
6. Retire a porca, rebordo exterior, lâmina e rebordo interior do eixo do motor (Imagem I). Verifique e substitua-os se estiverem gastos.

Imagem I: descrição das peças apresentada abaixo:

I-1	Eixo do motor	I-5	Lâmina
I-2	Rebordo interior	I-6	Rebordo exterior
I-3	Ranhura no rebordo interior	I-7	Porca
I-4	Saliência no rebordo interior	I-8	Perno

### Instalar a lâmina

1. Coloque o rebordo interior no eixo do motor com a saliência virada para fora (Imagem I).

2. Instale a lâmina nova no rebordo interior, certificando-se de que a lâmina está bem montada no respetivo lugar (Imagem J).
3. Monte o rebordo exterior e a porca no eixo e pré-aperte a porca à mão **NO SENTIDO INVERSO AO DOS PONTEIROS DO RELÓGIO**.
4. Siga os passos anteriores 4 e 5 em “Retirar a lâmina” para estabilizar a lâmina e apertar bem a porca **NO SENTIDO INVERSO AO DOS PONTEIROS DO RELÓGIO**.
5. Insira um novo perno fornecido no orifício no eixo do motor. Dobre os dois pés do perno em direções opostas com um alicate de nariz de agulha (não incluído) (Imagem G).

### SUBSTITUIR A RODA GUIA

1. Pare o motor e retire a bateria.
2. Coloque o aparador de costas, de modo a que a roda guia fique virada para cima.
3. Desaperte o manípulo de ajuste da profundidade na direção da seta de desbloquear assinalada no manípulo, e retire-o.
4. Retire a anilha de mola, anilha plana 1, roda guia, casquilho e anilha plana 2 da haste do parafuso (Imagem K). Verifique e substitua-os se estiverem gastos.
5. Monte primeiro a haste do parafuso através da barra guia de ajuste da profundidade, depois monte a anilha plana 2, casquilho e a nova roda, depois monte a anilha plana 1, anilha de mola e manípulo de ajuste da profundidade na sequência apresentada na Imagem K.

Imagem K: descrição das peças apresentada abaixo:

K-1	Manípulo de ajuste da profundidade	K-5	Casquilho
K-2	Anilha de mola	K-6	Anilha plana 2
K-3	Anilha plana 1	K-7	Haste do parafuso
K-4	Roda guia	K-8	Barra guia de ajuste da profundidade

**AVISO:** A barra guia deverá ser montada com as abas planas viradas para dentro (Imagem L).

Imagem L: descrição das peças apresentada abaixo:

L-1	Parafusos	L-3	Aba dos resíduos
L-2	Aba plana	L-4	Quadro de fixação

6. Fixe o manípulo de ajuste da profundidade.

### SUBSTITUIR A ABA DOS RESÍDUOS (Imagem L)

1. Pare o motor e retire a bateria.
2. Use a chave sextavada fornecida para desapertar os dois parafusos.
3. Retire os parafusos, quadro de fixação e aba dos resíduos gasta.
4. Substitua por uma nova aba dos resíduos e fixe com o quadro de fixação e os dois parafusos.

### VERIFICAR E SUBSTITUIR A PROTEÇÃO ANTI-DESGASTE/PLACA GUIA (Imagem M)

Verifique a proteção anti-desgaste e a placa guia quanto a danos antes de ligar a ferramenta elétrica. A proteção anti-desgaste tem de ser substituída mal a caixa dos carretos fique visível.

**AVISO:** A caixa dos carretos pode ficar seriamente danificada se não substituir a proteção anti-desgaste mal a caixa dos carretos fique visível.

1. Pare o motor e retire a bateria.
2. Use luvas de proteção. Rode a lâmina conforme necessário para expor os dois parafusos.
3. Use a chave sextavada fornecida para desapertar os dois parafusos, e retire-os.

**AVISO:** Se precisar de substituir apenas a placa guia, desaperte e retire apenas o parafuso 1.

4. Substitua a proteção anti-desgaste/placa guia deformada ou gasta.
5. Monte a nova proteção anti-desgaste/placa guia na caixa dos carretos e fixe com os dois parafusos.

Imagem M: descrição das peças apresentada abaixo:

M-1	Parafuso 1	M-4	Proteção anti-desgaste
M-2	Placa guia	M-5	Orifícios de montagem
M-3	Parafuso 2	M-6	Caixa dos carretos

### RETIRAR A PLACA GUIA

Se tiver experiência com este tipo de aparador, ou se achar que a placa guia é um estorvo ao aparar, pode retirá-la.

1. Desaperte e retire o parafuso 1.
2. Retire a placa guia.
3. Volte a colocar e aperte o parafuso 1.

### LUBRIFICAÇÃO DOS CARRETOS DE TRANSMISSÃO

Os carretos de transmissão na caixa dos carretos têm de ser lubrificados periodicamente com lubrificante para carretos. Verifique o nível de lubrificação da caixa dos carretos a cada 50 horas de funcionamento, retirando o parafuso vedante na parte lateral da caixa.

Se não vir qualquer lubrificante nas partes laterais do carreto, siga os passos apresentados em baixo para atestar com lubrificante para carretos até 3/4 da capacidade.

Não encha completamente os carretos de transmissão.

1. Coloque o aparador virado para cima, de modo a que o parafuso vedante fique virado para cima (Imagem N).
2. Use a chave multifunções fornecida para desapertar e retirar o parafuso vedante. Use uma seringa lubrificante (não incluída) para injetar algum lubrificante no orifício do parafuso. Não exceda 3/4 da capacidade.
3. Aperte o parafuso vedante após a injeção.

### GUARDAR A UNIDADE

- Retire a bateria do aparador.
- Limpe bem o aparelho antes de o guardar.
- Se o acessório aparador for retirado da cabeça motora e guardado em separado, coloque a tampa da extremidade no eixo do acessório para evitar que entre sujidade no acoplador.
- Armazene a unidade num local seco, bem ventilado, trancado ou elevado, fora do alcance das crianças. Não armazene a unidade em cima ou perto de fertilizantes, gasolina ou outros químicos.

### Proteja o ambiente



Não elimine equipamento elétrico, bateria gasta nem carregador juntamente com o lixo doméstico comum! Leve este produto a um centro de reciclagem autorizado para que possa haver uma separação das peças. As máquinas elétricas têm de ser devolvidas em instalações de reciclagem ambientalmente compatíveis.

**RESOLUÇÃO DE PROBLEMAS****PT**

PROBLEMA	CAUSA	SOLUÇÃO
O motor não arranca.	<ul style="list-style-type: none"><li>■ A bateria não foi colocada na cabeça motora.</li><li>■ Não existe contacto elétrico entre a cabeça motora e a bateria.</li><li>■ A bateria está gasta.</li><li>■ A botton de bloqueio e o gatilho não foram premidos em simultâneo.</li></ul>	<ul style="list-style-type: none"><li>■ Fixe a bateria na cabeça motora.</li><li>■ Retire a bateria, verifique os contactos e volte a instalar a bateria até ficar fixada no respetivo lugar.</li><li>■ Carregue a bateria com carregadores EGO listados neste manual.</li><li>■ Prima a alavanca de bloqueio e mantenha premida, depois prima o gatilho para ligar o aparador de fio.</li></ul>
A cabeça motora pára durante o funcionamento.	<ul style="list-style-type: none"><li>■ O motor está sobrecarregado.</li><li>■ A bateria ou cabeça motora estão muito quentes.</li><li>■ A bateria foi retirada da ferramenta.</li><li>■ A bateria está gasta.</li></ul>	<ul style="list-style-type: none"><li>■ O motor recupera quando a carga for retirada. Para um funcionamento contínuo, diminua a carga da cabeça motora.</li><li>■ Deixe a bateria ou a cabeça motora arrefecer até que a temperatura atinja menos de 67°C.</li><li>■ Volte a colocar a bateria.</li><li>■ Carregue a bateria com carregadores EGO listados neste manual.</li></ul>
Extremidades desniveladas	<ul style="list-style-type: none"><li>■ A relva ou o solo está muito molhado.</li><li>■ A proteção da lâmina está obstruída.</li></ul>	<ul style="list-style-type: none"><li>■ Evite aparar solo ou relva molhada.</li><li>■ Pare o motor, retire a bateria e retire os resíduos da proteção da lâmina.</li></ul>

**GARANTIA****POLÍTICA DE GARANTIA EGO**

Por favor, visite o website [egopowerplus.eu](http://egopowerplus.eu) para saber todos os termos e condições da política de garantia EGO.



## LEGGERE TUTTE LE ISTRUZIONI!



### LEGGERE IL MANUALE DI ISTRUZIONI

**AVVERTENZA!** Per garantire sicurezza e affidabilità, tutte le riparazioni e sostituzioni devono essere eseguite da un tecnico qualificato.

## SIMBOLI DI SICUREZZA

Lo scopo dei simboli di sicurezza è attirare l'attenzione dell'operatore su possibili pericoli. I simboli di sicurezza e le relative spiegazioni richiedono la massima attenzione e comprensione da parte dell'operatore. Le avvertenze espresse dai simboli, da sole, non eliminano tutti i rischi. Le istruzioni e le avvertenze non sostituiscono le adeguate misure di prevenzione contro gli incidenti.

**AVVERTENZA!** Accertarsi di aver letto e compreso tutte le istruzioni di sicurezza in questo manuale, inclusi tutti i simboli di avvertenza come "PERICOLO", "AVVERTENZA" e "ATTENZIONE", prima di usare questo apparecchio. Il mancato rispetto di tutte le istruzioni elencate di seguito comporta il rischio di scossa elettrica, incendio e/o lesioni gravi.

## SIGNIFICATO DEI SIMBOLI

**AVVERTENZA DI SICUREZZA:** Indica **PERICOLO**, **AVVERTENZA** o **ATTENZIONE**. Può essere usato in combinazione con altri simboli.






**AVVERTENZA!** L'uso di apparecchi elettrici può causare il lancio di oggetti estranei verso l'operatore, con il rischio di gravi lesioni agli occhi. Durante l'uso dell'apparecchio, indossare sempre occhiali protettivi o occhiali di sicurezza con protezioni laterali e, se necessario, una maschera facciale. Si consiglia di indossare una maschera di sicurezza con ampio campo visivo sopra gli occhiali o gli occhiali di sicurezza standard con protezioni laterali.

## ISTRUZIONI DI SICUREZZA

Questa pagina illustra e descrive i simboli di sicurezza che possono comparire sul prodotto. Leggere, comprendere e seguire tutte le istruzioni sull'apparecchio prima di tentare di assemblarlo e ripararlo.

	Avvertenza di sicurezza	Indica un potenziale rischio di infortunio.
	Leggere il manuale di istruzioni	Per ridurre il rischio di infortunio, l'utente deve leggere e comprendere tutte le istruzioni prima di usare questo prodotto.
	Indossare dispositivi di protezione per gli occhi e le orecchie	Durante l'uso del prodotto, indossare sempre occhiali protettivi o occhiali di sicurezza con protezioni laterali e una maschera facciale.
	Lunghezza della lama del bordatore	Lunghezza della lama del bordatore
	Tenere lontane le altre persone	Distanza minima tra l'apparecchio e le persone presenti: 15 metri
	Direzione di rotazione della lama del bordatore	Indica la direzione di rotazione della lama del bordatore.
	Oggetti proiettati	Ispezionare accuratamente l'area di lavoro e rimuovere eventuali pietre, rami, cavi, ossi e altri oggetti estranei.
	Indossare calzature di sicurezza.	Indossare calzature di sicurezza antiscivolo durante l'uso di questo apparecchio.
	Lama di taglio rotante	Non posizionare mani o piedi in prossimità o sotto le parti rotanti.
	Mantenere una distanza sufficiente dalle linee elettriche	Per evitare il rischio di folgorazione, non usare l'apparecchio entro 15m da linee elettriche sospese. Il contatto o l'utilizzo in prossimità di linee elettriche comporta il rischio di lesioni gravi, scossa elettrica o morte.

IT

	CE	Questo prodotto è conforme alle direttive europee applicabili.
	UKCA	Questo prodotto è conforme alla legislazione britannica pertinente.
	RAEE	I prodotti elettrici non devono essere smaltiti insieme ai rifiuti domestici. Portarli presso un centro di riciclaggio autorizzato.
	Rumore	Livello di potenza sonora garantito. Emissione di rumore nell'ambiente conforme alla direttiva dell'Unione europea.
V	Volt	Voltaggio
mm	Millimetro	Lunghezza o dimensioni
cm	Centimetro	Lunghezza o dimensioni
kg	Chilogrammo	Peso
	Corrente continua	Tipo o caratteristica della corrente

## AVVERTENZE DI SICUREZZA GENERICHE

**⚠ AVVERTENZA!** Consultare tutte le avvertenze di sicurezza, le istruzioni, le illustrazioni e le specifiche fornite insieme a questo apparecchio. Il mancato rispetto delle istruzioni sotto riportate comporta il rischio di scossa elettrica, incendio e/o gravi infortuni.

## CONSERVARE TUTTE LE AVVERTENZE E LE ISTRUZIONI PER FUTURO RIFERIMENTO.

Il termine "apparecchio" utilizzato nelle avvertenze indica un apparecchio alimentato tramite rete elettrica (con cavo) o batterie (senza cavo).

## SICUREZZA DELL'AREA DI LAVORO

- **Mantenere l'area di lavoro pulita e ben illuminata.** Il disordine e la scarsa illuminazione favoriscono gli incidenti.
- **Non usare l'apparecchio in atmosfere esplosive, ad esempio in presenza di liquidi, gas o polveri infiammabili.** Gli apparecchi elettrici producono scintille suscettibili di dare fuoco a polveri o vapori.
- **Durante l'uso dell'apparecchio, tenere a distanza i bambini e le persone presenti.** Le distrazioni possono far perdere il controllo dell'apparecchio.

## SICUREZZA ELETTRICA

- **Le spine degli apparecchi elettrici devono essere adatte al tipo di presa. Non modificare la spina in alcun modo. Non usare adattatori con gli apparecchi dotati di messa a terra (collegati a massa).** L'uso di spine originali corrispondenti al tipo di presa riduce il rischio di scossa elettrica.
- **Evitare il contatto del corpo con superfici collegate a terra come tubi, radiatori, fornelli elettrici e frigoriferi.** Il rischio di scossa elettrica aumenta se il proprio corpo è collegato a terra.
- **Non esporre l'apparecchio a pioggia o umidità.** L'infiltrazione di acqua all'interno dell'apparecchio aumenta il rischio di scossa elettrica, malfunzionamenti e lesioni personali.
- **Non utilizzare il cavo in modo improprio. Non utilizzare il cavo per trasportare, spostare o scollegare l'apparecchio. Tenere il cavo al riparo da calore, olio, bordi taglienti o parti in movimento.** La presenza di cavi danneggiati o aggrovigliati aumenta il rischio di scossa elettrica.
- **Durante l'uso di un apparecchio elettrico all'aperto, utilizzare una prolunga idonea per ambienti esterni.** L'uso di un cavo idoneo riduce il rischio di scossa elettrica.
- **Se è necessario lavorare in un luogo umido, utilizzare un circuito elettrico dotato di interruttore differenziale (RCD).** L'uso di un interruttore differenziale (RCD) riduce il rischio di scossa elettrica.

## SICUREZZA PERSONALE

- **Durante l'uso di un apparecchio elettrico, prestare sempre la massima attenzione e utilizzare il buon senso. Non usare l'apparecchio se si è stanchi o sotto l'effetto di droghe, alcol o farmaci.** Anche un solo momento di disattenzione durante l'uso dell'apparecchio comporta il rischio di lesioni gravi.
- **Indossare dispositivi di protezione individuale. Indossare dispositivi di protezione per gli occhi.** I dispositivi di protezione individuale come maschere antipolvere, calzature antiscivolo, caschi e cuffie per le orecchie, se utilizzati quando le circostanze lo richiedono, riducono il rischio di infortuni.
- **Prevenire l'avvio accidentale. Assicurarsi che l'interruttore sia in posizione di spegnimento prima di sollevare, trasportare o collegare l'apparecchio alla presa di corrente e/o alla batteria.** Per ridurre il rischio di incidenti, non trasportare l'apparecchio tenendo le dita sull'interruttore e non collegarlo alla presa di corrente se l'interruttore è in posizione di accensione.
- **Rimuovere eventuali chiavi di regolazione o avvitemento prima di avviare l'apparecchio.** Una chiave di serraggio rimasta inserita in un elemento

mobile dell'apparecchio comporta il rischio di infortuni.

- **Non allungarsi eccessivamente. Mantenere sempre un buon equilibrio evitando posizioni instabili.** Ciò assicura un miglior controllo dell'apparecchio in situazioni impreviste.
- **Vestirsi in modo adeguato. Non indossare indumenti ampi o gioielli. Tenere capelli e indumenti lontani dalle parti in movimento.** Indumenti ampi, gioielli o capelli lunghi possono rimanere impigliati nelle parti in movimento.
- **Se sono disponibili dei dispositivi per l'estrazione e la raccolta della polvere, assicurarsi che siano collegati e utilizzati correttamente.** L'uso di tali dispositivi può ridurre i rischi derivanti dalla polvere.
- **Non lasciare che la familiarità con l'apparecchio (derivata da un uso frequente) abbassi il livello di attenzione.** Anche una minima distrazione può causare gravi infortuni.

#### USO E MANUTENZIONE DELL'APPARECCHIO

- **Non forzare l'apparecchio. Usare l'apparecchio più adatto al lavoro da svolgere.** L'apparecchio è più sicuro ed efficace se utilizzato alla velocità per la quale è stato progettato.
- **Non usare l'apparecchio se l'interruttore non funziona.** Un apparecchio che non può essere controllato dall'interruttore è pericoloso e deve essere riparato.
- **Rimuovere il gruppo batteria, se removibile, e/o scollegare l'apparecchio dalla rete elettrica prima di regolarlo, riporlo o sostituire gli accessori.** Tali misure preventive riducono il rischio di avvio accidentale dell'apparecchio.
- **Riporre l'apparecchio fuori dalla portata dei bambini e non permetterne l'uso a persone che non hanno familiarità con l'apparecchio o con queste istruzioni.** Gli apparecchi elettrici sono pericolosi se utilizzati da persone non competenti.
- **Sottoporre l'apparecchio e gli accessori a una regolare manutenzione. Verificare che le parti mobili non siano disallineate o piegate e che non siano presenti danni o altre condizioni suscettibili di compromettere il funzionamento dell'apparecchio. Se l'apparecchio è danneggiato, farlo riparare prima di usarlo nuovamente.** Molti incidenti sono provocati da apparecchi in cattive condizioni.
- **Mantenere gli accessori di taglio puliti e affilati.** Un'adeguata manutenzione e affilatura degli accessori da taglio riduce il rischio di inceppamento e facilita il controllo dell'apparecchio.
- **Usare l'apparecchio, gli accessori, le punte ecc. conformemente a queste istruzioni, tenendo conto delle condizioni dell'area di lavoro e del tipo**

**di lavoro da svolgere.** L'uso dell'apparecchio per operazioni diverse da quelle per cui è progettato può comportare situazioni di pericolo.

- **Mantenere le impugnature e le superfici di presa asciutte, pulite e prive di olio o grasso.** Impugnature e superfici di presa scivolose non garantiscono l'uso sicuro e il controllo dell'apparecchio in situazioni impreviste.

#### USO E MANUTENZIONE DEGLI APPARECCHI A BATTERIA

- **Ricaricare la batteria esclusivamente con il caricabatteria specificato dal costruttore.** Un caricabatteria adatto a un certo tipo di gruppo batteria comporta il rischio di incendio se utilizzato con gruppi batteria di tipo diverso.
- **Usare esclusivamente gruppi batteria progettati specificamente per questo apparecchio.** L'uso di altri gruppi batteria comporta il rischio di incendio e infortunio.
- **Quando il gruppo batteria non è in uso, tenerlo lontano da piccoli oggetti metallici, ad esempio graffette, monete, chiavi, chiodi, viti ecc. poiché potrebbero creare un collegamento tra i due terminali.** Il cortocircuito dei terminali della batteria comporta il rischio di incendio o ustioni.
- **L'utilizzo improprio può causare fuoriuscite di liquido dalla batteria: evitare il contatto con tale liquido. In caso di contatto accidentale, lavare con acqua. Se il liquido entra a contatto con gli occhi, consultare un medico.** Il liquido fuoriuscito dalla batteria può causare irritazioni o ustioni.
- **Non usare gruppi batteria o apparecchi danneggiati o modificati.** Le batterie danneggiate o modificate possono manifestare comportamenti imprevisti, con il rischio di incendio, esplosione o infortunio.
- **Non esporre il gruppo batteria o l'apparecchio a fiamme o temperature eccessive.** L'esposizione a fiamme o temperature superiori a 130°C comporta il rischio di esplosione.
- **Rispettare tutte le istruzioni relative alla ricarica e non ricaricare il gruppo batteria o l'apparecchio a temperature diverse da quelle specificate nelle istruzioni.** Una ricarica eseguita in modo improprio o a temperature diverse da quelle specificate può danneggiare la batteria e aumentare il rischio di incendio.

#### ISTRUZIONI DI SICUREZZA IMPORTANTI

**⚠ AVVERTENZA!** Durante l'uso del decespugliatore è necessario rispettare alcune elementari norme di sicurezza per ridurre il rischio di incendio, scossa elettrica e infortunio, tra cui le seguenti:

## LEGGERE ATTENTAMENTE PRIMA DELL'USO.

### CONSERVARE PER RIFERIMENTO FUTURO.

**⚠ PERICOLO!** Non affidarsi esclusivamente all'isolamento dell'apparecchio contro le scosse elettriche. Per ridurre il rischio di folgorazione, non usare mai l'apparecchio in prossimità di fili o cavi (alimentazione, ecc.) che possono condurre corrente elettrica.

IT

**⚠ ATTENZIONE!** Indossare adeguati dispositivi di protezione per le orecchie durante l'uso. In alcune circostanze e a seconda della durata di utilizzo, il rumore emesso da questo apparecchio può contribuire alla perdita dell'udito.

### Formazione all'uso dell'apparecchio

- Leggere attentamente le istruzioni. Familiarizzare con tutti i comandi e l'uso corretto della macchina.
- Non fare mai utilizzare l'apparecchio a bambini o a persone che non conoscono bene come fare funzionare l'apparecchio. Normative locali possono limitare l'uso in base all'età.
- Non usare l'apparecchio se sono presenti persone, soprattutto bambini, o animali nelle vicinanze.
- Tenere presente che l'operatore o utente è responsabile per incidenti o rischi causati ad altre persone o proprietà.

### Preparazione

- Durante l'uso, indossare dispositivi di protezione per gli occhi e le orecchie, calzature robuste e pantaloni lunghi.
- Ispezionare accuratamente l'area di lavoro e rimuovere eventuali pietre, rami, cavi, ossi e altri oggetti estranei.
- Prima dell'uso, ispezionare visivamente l'apparecchio per verificare che le lame, i bulloni delle lame e il gruppo di taglio non siano usurati o danneggiati. Se le lame o i bulloni sono usurati o danneggiati, sostituire sempre tutto il gruppo per mantenere l'apparecchio bilanciato.

### Funzionamento

- Usare l'apparecchio solo alla luce del giorno o con una buona illuminazione artificiale.
- Puntare bene i piedi sui terreni pendenti.
- Camminare e non correre.
- Prestare particolare attenzione quando si inverte la direzione dell'apparecchio o lo si tira verso di sé.
- Accertarsi che la lama sia ferma prima attraversare superfici non erbose o durante il trasporto da/verso l'area di lavoro.

- Non usare l'apparecchio se i dispositivi di protezione sono mancanti, difettosi o installati in modo scorretto.
- Non modificare le impostazioni predefinite del motore e non utilizzarlo a una velocità eccessiva.
- Avviare il motore con attenzione e conformemente alle istruzioni, tenendo i piedi lontani dalla lama.
- Non inclinare l'apparecchio durante l'accensione del motore, a meno che non sia necessario per l'avviamento. In tal caso, non inclinarlo più dello stretto necessario e sollevare esclusivamente la parte distante dall'operatore.
- Non avviare il motore se una persona è presente di fronte alla lama.
- Non posizionare mani o piedi in prossimità o sotto le parti rotanti.
- Arrestare il motore e scollegare la batteria:
  - 1) prima di eliminare un'ostruzione;
  - 2) prima di controllare, pulire o eseguire lavori sulla lama;
  - 3) dopo aver colpito un oggetto estraneo (assicurarsi che la lama non sia danneggiata e riparare l'apparecchio prima di riutilizzarlo);
  - 4) in caso di vibrazioni anomale (controllare immediatamente).
- Arrestare il motore prima di lasciare l'apparecchio incustodito.
- Non ricaricare il gruppo batteria sotto la pioggia o in luoghi umidi.
- Usare esclusivamente con i gruppi batteria e i caricabatteria elencati in fig. A.
- Il gruppo batteria deve essere rimosso dall'apparecchio prima che sia smaltito.
- La batteria deve essere smaltita in modo sicuro.
- Non gettare la batteria nel fuoco perché le celle potrebbero esplodere. Contattare le autorità locali per eventuali istruzioni di smaltimento specifiche.
- Non aprire o mutilare la batteria. Gli elettroliti rilasciati sono corrosivi e possono danneggiare gli occhi o la pelle o essere tossici se ingeriti.
- Prestare attenzione durante la manipolazione delle batterie per evitare il contatto con materiali conduttivi come anelli, braccialetti e chiavi. La batteria o il conduttore possono surriscaldarsi e causare ustioni.
- Gli apparecchi a batteria non hanno bisogno di essere collegati a un impianto elettrico; pertanto sono sempre in condizioni operative. Tenere a mente i possibili rischi anche quando l'apparecchio non è in funzione. Prestare attenzione durante le operazioni di manutenzione o riparazione.

- Non pulire l'apparecchio con tubi per innaffiare; evitare le infiltrazioni d'acqua nel motore e nelle connessioni elettriche.

### Manutenzione e conservazione

- Mantenere tutti i dadi, le viti e i bulloni serrati affinché l'apparecchio funzioni in modo sicuro.
- Sostituire i componenti usurati o danneggiati.
- Non tentare di riparare l'apparecchio se non si è competenti.
- Utilizzare esclusivamente accessori e parti di ricambio raccomandati dal costruttore.
- Scollegare la batteria dall'apparecchio prima delle operazioni di pulizia o manutenzione.
- Ispezionare l'apparecchio e sottoporlo a regolare manutenzione. Affidare la riparazione dell'apparecchio esclusivamente a personale autorizzato.
- Quando l'apparecchio non è in uso, riporlo fuori dalla portata dei bambini.
- In caso di situazioni non contemplate in questo manuale, agire con cautela e usare il buon senso. Contattare il centro di assistenza EGO per assistenza.
- Conservare queste istruzioni. Consultarle frequentemente e usarle per istruire gli altri operatori dell'apparecchio. Se si presta l'apparecchio ad altre persone, allegare anche queste istruzioni per evitare l'uso errato dell'apparecchio e il rischio di infortuni.

### CONSERVARE QUESTE ISTRUZIONI!

**NOTA: CONSULTARE IL MANUALE DI ISTRUZIONI DELL'UNITÀ MOTORE PER ULTERIORI AVVERTENZE DI SICUREZZA SPECIFICHE.**

## SPECIFICHE TECNICHE

Lunghezza della lama	20 cm
Profondità di taglio	Fino a 75 mm
Peso	2,26 kg
Temperatura operativa	Da -15°C a 40°C
Temperatura di conservazione	Da -20°C a 70°C
Livello di potenza sonora misurato $L_{WA}$	92,4 dB(A) K=2,07 dB(A) (PH1400E)
	90,7 dB(A) K=1,46 dB(A) (PH1420E)
	90 dB(A) K=1,3 dB(A) (PHX1600)

Livello di pressione sonora a livello dell'orecchio dell'operatore $L_{PA}$	79,8 dB(A) K=3 dB(A) (PH1400E)
	81,2 dB(A) K=3 dB(A) (PH1420E)
	84 dB(A) K=3 dB(A) (PHX1600)
Livello di potenza sonora garantito $L_{WA}$ (misurato conformemente a 2000/14/EC)	
Vibrazioni $a_n$	Impugnatura anteriore ausiliaria
	1,2 m/s <sup>2</sup> K=1,5 m/s <sup>2</sup> (PH1400E)
	1,95 m/s <sup>2</sup> K=1,5 m/s <sup>2</sup> (PH1420E)
	1,6 m/s <sup>2</sup> K=1,5 m/s <sup>2</sup> (PHX1600)
	Impugnatura posteriore
	2,2 m/s <sup>2</sup> K=1,5 m/s <sup>2</sup> (PH1400E)
	1,66 m/s <sup>2</sup> K=1,5 m/s <sup>2</sup> (PH1420E)
	1,53 m/s <sup>2</sup> K=1,5 m/s <sup>2</sup> (PHX1600)

- I parametri sopra riportati sono stati collaudati e misurati in combinazione con la testa motore PH1400E/PH1420E/PHX1600;
- Il valore totale di vibrazioni indicato è stato misurato tramite il metodo di collaudo standard e può essere utilizzato per confrontare l'apparecchio con altri prodotti analoghi.
- Il valore totale di vibrazioni indicato può essere utilizzato anche per una valutazione preliminare dei livelli di esposizione.

**NOTA:** L'emissione di vibrazioni durante l'uso effettivo dell'apparecchio può variare rispetto al valore indicato in base a come viene utilizzato l'utensile. Per proteggersi, l'operatore deve indossare guanti e dispositivi di protezione per le orecchie in base alle reali condizioni d'uso.

## CONTENUTO DELLA CONFEZIONE

DENOMINAZIONE DEL COMPONENTE	QUANTITÀ
Accessorio bordatore	1
Chiave esagonale	1
Chiave multifunzione	1
Coppiglia	2
Manuale di istruzioni	1

IT

### Lama raccomandata

NOME DEL COMPONENTE	NUMERO MODELLO
Lama per bordatore	AEB0800

## DESCRIZIONE

### DESCRIZIONE DELL'ACCESSORIO BORDATORE (Fig. A)

1. Cappuccio terminale
2. Asta del bordatore
3. Protezione parasassi
4. Lama
5. Manopola di regolazione della profondità
6. Ruota guida
7. Chiave esagonale
8. Chiave multifunzione
9. Barra guida di regolazione della profondità
10. Parafango
11. Coppiglia
12. Vite di bloccaggio della piastra guida
13. Piastra guida

## ASSEMBLAGGIO

**AVVERTENZA!** In caso di componenti danneggiati o mancanti, non usare l'apparecchio finché i componenti non vengono sostituiti. L'uso dell'apparecchio con componenti danneggiati o mancanti comporta il rischio di lesioni gravi.

**AVVERTENZA!** Non tentare di modificare l'apparecchio o creare accessori non raccomandati per l'uso con questo decespugliatore. Tali alterazioni o modifiche costituiscono un uso improprio e comportano condizioni pericolose e il rischio di lesioni gravi.

**AVVERTENZA!** Per evitare l'avvio accidentale e il conseguente rischio di lesioni gravi, rimuovere sempre il gruppo batteria dall'apparecchio durante l'assemblaggio dei componenti.

**AVVERTENZA!** Indossare sempre i guanti durante l'installazione o la sostituzione della cuffia di protezione. Fare attenzione alla lama sulla cuffia di protezione e proteggere le mani dal rischio di lesioni.

**AVVERTENZA!** Non usare l'apparecchio se la cuffia di protezione non è posizionata e saldamente. La cuffia di protezione deve essere sempre installata per proteggere l'operatore. Dopo aver installato la cuffia di protezione, non tentare di rimuoverla o regolarla. Se è necessario sostituirla, affidare l'operazione a un tecnico qualificato.

### COLLEGARE L'ACCESSORIO ALL'UNITÀ MOTORE

Questo accessorio bordatore è progettato per l'uso con l'unità motore a batteria li-ion 56 Volt PH1400E/PH1420E/PHX1600.

Consultare la sezione "INSTALLARE UN ACCESSORIO SULL'UNITÀ MOTORE" nel manuale di istruzioni dell'unità motore PH1400E/PH1420E/PHX1600.

## FUNZIONAMENTO

**AVVERTENZA!** La familiarità con questo apparecchio non deve rendere l'operatore disattento. Anche un solo momento di disattenzione comporta il rischio di lesioni gravi.

**AVVERTENZA!** Indossare sempre occhiali di sicurezza con protezioni laterali. Indossare anche protezioni per le orecchie. Il mancato rispetto di questa istruzione comporta il rischio di oggetti proiettati verso gli occhi dell'operatore e altre lesioni gravi.

### DESTINAZIONE D'USO

Questo prodotto può essere usato per gli scopi elencati di seguito.

- Bordatura intorno a vialetti, marciapiedi, aiuole e altre aree similari.

**ATTENZIONE!** Usare l'apparecchio esclusivamente per gli scopi previsti. Altri utilizzi sono da considerarsi uso improprio.

### Prima di ogni utilizzo, verificare l'assenza di componenti danneggiati/usurati

Ispezionare la testa di taglio, la protezione parasassi e l'impugnatura anteriore ausiliaria e sostituire i componenti incrinati, deformati, piegati o danneggiati in qualsiasi modo.

**AVVERTENZA!** Per evitare lesioni gravi, rimuovere il gruppo batteria dall'apparecchio prima di pulirlo o ripararlo e prima di sostituire gli accessori o rimuovere del materiale dall'apparecchio.

## USARE L'ACCESSORIO BORDATORE CON L'UNITÀ MOTORE

**⚠ AVVERTENZA!** Vestirsi adeguatamente per ridurre il rischio di infortunio durante l'uso dell'apparecchio. Non indossare indumenti ampi o gioielli. Indossare dispositivi di protezione per gli occhi/orecchie. Indossare pantaloni lunghi e pesanti, stivali e guanti. Non indossare pantaloni corti o sandali e non usare l'apparecchio a piedi nudi. Indossare una maschera facciale o antipolvere in ambienti polverosi.

**⚠ AVVERTENZA!** Rimuovere tutti gli ostacoli e gli oggetti estranei dall'area di lavoro.

Per un funzionamento efficiente e sicuro, indossare la tracolla sulla spalla. Regolare la tracolla in una posizione operativa comoda.

Tenere il bordatore con la mano destra sull'impugnatura posteriore e con la mano sinistra sull'impugnatura anteriore. Mantenere una presa salda con entrambe le mani durante l'uso dell'apparecchio. Tenere il bordatore in una posizione confortevole con l'impugnatura posteriore all'altezza del fianco (Fig. B).

**⚠ AVVERTENZA!** La tracolla funziona anche da meccanismo di rilascio rapido in situazioni di pericolo. In caso di emergenza, sfilarla immediatamente dalla spalla, indipendentemente dalla sua modalità di fissaggio.

### Pulire il bordatore dopo ogni utilizzo

Consultare la sezione MANUTENZIONE per le istruzioni relative alla pulizia.

### REGOLARE LA PROFONDITÀ DI TAGLIO

1. Arrestare il motore e rimuovere il gruppo batteria.
2. Allentare la manopola di regolazione della profondità ruotandola in direzione dalla freccia di sbloccaggio riportata sulla manopola (Fig. C).
3. Spostare la ruota guida lungo la barra guida di regolazione della profondità, verso l'alto per aumentare la profondità di taglio o verso il basso per diminuirla (Fig. D).
4. Regolare la ruota guida affinché la lama tocchi appena il terreno o penetri fino a un massimo di 5 mm (Fig. E), quindi serrarla saldamente.
5. Assumere la normale posizione di lavoro, controllare nuovamente la profondità di taglio e correggerla se necessario.

### AVVIARE/ARRESTARE L'APPARECCHIO

Consultare la sezione "INSTALLAZIONE DELL'ACCESSORIO SULL'UNITÀ MOTORE" nel manuale di istruzioni dell'unità motore PH1400E/PH1420E/PHX1600.

## SUGGERIMENTI DI UTILIZZO

- Tenere e guidare l'unità motore affinché la lama sia verticale. Utilizzare la direttrice visiva per allineare la lama con il bordo da regolare (Fig. F).
- Muovere l'apparecchio seguendo il naturale ritmo della camminata. Se la lama inizia a impantanarsi, la velocità è eccessiva; rallentare.
- Camminare sempre in avanti durante il taglio e muovere il bordatore in avanti. Non tirare il bordatore verso di sé.
- Non forzare il bordatore nel terreno. Un leggero contatto della lama contro il bordo del marciapiede, vialetto, ecc. è accettabile non danneggerà il bordatore.
- I migliori risultati si ottengono con l'erba asciutta. Evitare di usare l'apparecchio con il terreno umido o in aree erbose umide perché la protezione parasassi potrebbe ostruirsi e causare un taglio irregolare. Se la protezione parasassi si ostruisce, arrestare il motore, rimuovere il gruppo batteria e rimuovere i detriti dalla protezione parasassi.

## MANUTENZIONE

**⚠ AVVERTENZA!** Prima di ispezionare, pulire o regolare l'unità, arrestare il motore, attendere che tutte le parti mobili si arrestino e rimuovere il gruppo batteria. Il mancato rispetto di questa avvertenza comporta il rischio di danni o lesioni gravi.

**⚠ AVVERTENZA!** Per la riparazione dell'apparecchio, usare esclusivamente parti di ricambio identiche. Ispezionare l'apparecchio ed effettuare la manutenzione regolarmente. Per garantire sicurezza e affidabilità, tutte le riparazioni e sostituzioni devono essere eseguite da un tecnico qualificato.

### MANUTENZIONE GENERALE

Evitare l'uso di solventi durante la pulizia delle parti in plastica. La maggior parte dei materiali plastici può essere danneggiata da diversi tipi di solventi in commercio. Usare un panno pulito per rimuovere sporcizia, polvere, olio, grasso, ecc.

### PULIZIA DELL'APPARECCHIO

- Dopo ogni utilizzo, rimuovere detriti, terreno o erba dalla lama e dalla protezione parasassi con una spazzola morbida. Pulire la superficie del bordatore con un panno pulito inumidito con acqua saponata.
- Usare una piccola spazzola o un piccolo aspirapolvere per pulire le aperture di ventilazione sul vano motore.

**ATTENZIONE!** Non usare detersivi aggressivi sulle superfici esterne in plastica o sull'impugnatura perché possono essere danneggiati da alcuni oli aromatici, come pino e limone.

## SOSTITUZIONE DELLA LAMA

**AVVERTENZA!** Non tentare di raddrizzare o saldare una lama piegata o incrinata perché potrebbe rompersi; deve essere sostituita. Si raccomanda di sostituirla esclusivamente con lame per bordatori EGO, come indicato alla sezione "**Lama raccomandata**".

**ATTENZIONE!** Sostituire la lama se la sua lunghezza non è più sufficiente per mantenere la necessaria distanza dal terreno e ottenere la profondità di taglio richiesta.

**AVVERTENZA!** Proteggere le proprie mani indossando guanti robusti o avvolgendo la lama con stracci o altri materiali durante le operazioni di manutenzione sulla lama del bordatore.

## Rimuovere la lama

1. Arrestare il motore e rimuovere il gruppo batteria.
2. Stendere il bordatore in modo che la lama sia rivolta verso l'alto.
3. Indossare guanti di protezione. Usare una pinza ad ago (non inclusa) per rimuovere la coppia dalla barra motore (Fig. G).
4. Ruotare la lama fino ad allineare la fessura nella flangia con il foro nella scatola degli ingranaggi.

Descrizione delle parti in Fig. G:

G-1	Coppiglia
G-2	Flangia interna
G-3	Scatola degli ingranaggi

5. Inserire la chiave esagonale fornita nei fori allineati come stabilizzatore. Usare la chiave multifunzione fornita per allentare il dado ruotandolo in **SENSO ORARIO** (Fig. H).
6. Rimuovere il dado, la flangia esterna, la lama e la flangia interna dall'albero motore (Fig. I). Controllarli e sostituirli se sono usurati.

Descrizione delle parti in Fig. I:

I-1	Albero motore	I-5	Lama
I-2	Flangia interna	I-6	Flangia esterna
I-3	Fessura nella flangia interna	I-7	Dado
I-4	Sporgenza sulla flangia interna	I-8	Coppiglia

## Installare la lama

1. Posizionare la flangia interna sull'albero motore con la sporgenza rivolta verso l'esterno (Fig. I).
2. Installare la lama nuova sulla flangia interna, assicurandosi che la lama sia fissata saldamente (Fig. J).
3. Posizionare la flangia esterna e il dado sull'albero, e serrare il dado leggermente ruotandolo a mano in **SENSO ANTIORARIO**.
4. Seguire i passaggi 4 e 5 della sezione precedente "Rimuovere la lama" per stabilizzare la lama e serrare il dado saldamente ruotandolo in **SENSO ANTIORARIO**.
5. Inserire la nuova coppia fornita nel foro sull'albero motore. Piegarle le due estremità del perno in direzione opposta con una pinza ad ago (non inclusa) (Fig. G).

## SOSTITUZIONE DELLA RUOTA GUIDA

1. Arrestare il motore e rimuovere il gruppo batteria.
2. Stendere il bordatore in modo che la ruota guida sia rivolta verso l'alto.
3. Allentare la manopola di regolazione della profondità ruotandola in direzione della freccia di sbloccaggio riportata sulla manopola e rimuoverla.
4. Rimuovere la rondella a molla, la rondella piana 1, la ruota guida, la boccola e la rondella piana 2 dal perno (Fig. K). Controllarle e sostituirle se sono usurate.
5. Inserire per primo il perno nella barra guida di regolazione della profondità, quindi posizionare la rondella piana 2, la boccola e la ruota nuova, quindi posizionare la rondella piana 1, la rondella a molla e la manopola di regolazione della profondità sul perno nella sequenza illustrata in Fig. K.

Descrizione delle parti in Fig. K:

K-1	Manopola di regolazione della profondità	K-5	Boccola
K-2	Rondella a molla	K-6	Rondella piana 2
K-3	Rondella piana 1	K-7	Perno
K-4	Ruota guida	K-8	Barra guida di regolazione della profondità

**ATTENZIONE!** La ruota guida deve essere installata con i rilievi piatti rivolti verso l'interno (Fig. L).

Descrizione delle parti in Fig. L:

L-1	Viti	L-3	Parafango
L-2	Rilievi piatti	L-4	Pannello di fissaggio



- Serrare la manopola di fissaggio.

#### SOSTITUZIONE DEL PARAFANGO (Fig. L)

- Arrestare il motore e rimuovere il gruppo batteria.
- Usare la chiave esagonale fornita per allentare le due viti.
- Rimuovere le viti, la piastra di fissaggio e il parafango usurato.
- Installare un nuovo parafango e fissarlo con la barra di fissaggio e le due viti.

#### CONTROLLO E SOSTITUZIONE DELLA PROTEZIONE ANTI-USURA/PIASTRA GUIDA (Fig. M)

Controllare che la protezione parasassi e la piastra guida non siano danneggiate prima di avviare l'apparecchio. La protezione anti-usura deve essere sostituita non appena la scatola degli ingranaggi diventa visibile.

**ATTENZIONE!** La scatola degli ingranaggi può subire gravi danni se la protezione anti-usura non viene sostituita non appena la scatola degli ingranaggi diventa visibile.

- Arrestare il motore e rimuovere il gruppo batteria.
- Indossare guanti di protezione. Ruotare la lama, se necessario, per scoprire le due viti.
- Usare la chiave esagonale fornita per allentare le due viti, quindi rimuoverle.

**ATTENZIONE!** Se è necessario sostituire solo la piastra guida, allentare e rimuovere esclusivamente la vite 1.

- Sostituire la protezione anti-usura/piastra guida deformata o usurata.
- Installare la protezione anti-usura e la piastra guida nuove sulla scatola degli ingranaggi e fissarle con le due viti.

Descrizione delle parti in Fig. M:

M-1	Vite 1	M-4	Protezione anti-usura
M-2	Piastra guida	M-5	Fori di fissaggio
M-3	Vite 2	M-6	Scatola degli ingranaggi

#### RIMOZIONE DELLA PIASTRA GUIDA

Se si ha esperienza con questo tipo di bordatore, o se la piastra guida è di ostacolo all'operazione di bordatura, è possibile rimuovere la piastra guida.

- Allentare e rimuovere la vite 1.
- Rimuovere la piastra guida.
- Riposizionare e serrare la vite 1.

#### LUBRIFICAZIONE DEGLI INGRANAGGI DI TRASMISSIONE

Gli ingranaggi di trasmissione nella scatola degli ingranaggi devono essere lubrificati periodicamente con del grasso per ingranaggi. Controllare il livello del grasso della scatola degli ingranaggi ogni 50 ore di utilizzo rimuovendo la vite sigillante sul lato della scatola.

Se ai lati dell'ingranaggio non è visibile del grasso, seguire i passaggi riportati di seguito per riempirlo di grasso fino ai 3/4 della sua capacità.

Non riempire completamente gli ingranaggi di trasmissione.

- Posizionare il bordatore in verticale affinché la vite sigillante sia rivolta verso l'alto (Fig. N).
- Usare la chiave multifunzione fornita per allentare e rimuovere la vite sigillante. Usare una siringa per grasso (non inclusa) per iniettare del grasso nel foro della vite; non superare i 3/4 della capacità.
- Serrare la vite sigillante dopo il riempimento.

#### CONSERVAZIONE DELL'APPARECCHIO

- Rimuovere il gruppo batteria dal bordatore.
- Pulire accuratamente l'apparecchio prima di riporlo.
- Se l'accessorio bordatore viene rimosso dall'unità motore e riposto separatamente, inserire il cappuccio terminale sull'asta dell'accessorio per evitare che la sporcizia penetri nel raccordo.
- Conservare l'apparecchio in un luogo asciutto, ben ventilato, elevato o chiuso a chiave, e fuori dalla portata dei bambini. Non conservare l'apparecchio sopra o in prossimità di fertilizzanti, benzina o altre sostanze chimiche.

#### Protezione dell'ambiente



Non smaltire apparecchi elettrici, caricabatteria e batterie insieme ai rifiuti domestici. Portare il prodotto presso un centro di riciclaggio autorizzato affinché venga raccolto separatamente. Gli apparecchi elettrici devono essere portati presso un centro di riciclaggio ecocompatibile.

## RISOLUZIONE DEI PROBLEMI

IT

PROBLEMA	CAUSA	SOLUZIONE
Il motore non si avvia.	<ul style="list-style-type: none"> <li>■ Il gruppo batteria non è installato sull'unità motore.</li> <li>■ Nessun contatto elettrico tra l'unità motore e il gruppo batteria.</li> <li>■ Il gruppo batteria è scarico.</li> <li>■ La pulsante di sbloccaggio e l'interruttore a grilletto non sono stati premuti contemporaneamente.</li> </ul>	<ul style="list-style-type: none"> <li>■ Installare il gruppo batteria sull'unità motore.</li> <li>■ Rimuovere la batteria, ispezionare i contatti e reinstallare il gruppo batteria.</li> <li>■ Ricaricare il gruppo batteria con i caricabatteria EGO elencati in questo manuale.</li> <li>■ Tenere premuto il pulsante di sbloccaggio. Premere l'interruttore a grilletto per avviare l'unità motore.</li> </ul>
L'unità motore si arresta durante l'uso.	<ul style="list-style-type: none"> <li>■ Il motore è sovraccarico.</li> <li>■ Il gruppo batteria o l'unità motore sono troppo caldi.</li> <li>■ Il gruppo batteria non è installato sull'apparecchio.</li> <li>■ Il gruppo batteria è scarico.</li> </ul>	<ul style="list-style-type: none"> <li>■ Il motore si riavvierà alla rimozione del carico. Per l'uso continuo, diminuire il carico sull'unità motore.</li> <li>■ Attendere che la temperatura del gruppo batteria o dell'unità motore scenda al di sotto di 67°C.</li> <li>■ Reinstallare il gruppo batteria.</li> <li>■ Ricaricare il gruppo batteria con i caricabatteria EGO elencati in questo manuale.</li> </ul>
Bordi irregolari	<ul style="list-style-type: none"> <li>■ L'erba o il terreno è troppo umido.</li> <li>■ La protezione parasassi è ostruita.</li> </ul>	<ul style="list-style-type: none"> <li>■ Evitare l'uso su erba o terreno umido.</li> <li>■ Arrestare il motore, rimuovere il gruppo batteria e rimuovere i detriti dalla protezione parasassi.</li> </ul>

## GARANZIA

### CONDIZIONI DELLA GARANZIA EGO

Visitare il sito web [egopowerplus.eu](http://egopowerplus.eu) per consultare le condizioni complete della garanzia EGO.

## LEES ALLE INSTRUCTIES!



### LEES DE GEBRUIKSAANWIJZING

**⚠ WAARSCHUWING:** Om een continue veiligheid en betrouwbaarheid te waarborgen, dienen alle reparaties en vervangingen van onderdelen uitgevoerd te worden door een vakbekwame reparateur.

## VEILIGHEIDSSYMBOLEN

Het doel van de veiligheidssymbolen is om u te wijzen op mogelijke gevaren. Besteed daarom voldoende aandacht hieraan en begrijp de veiligheidssymbolen en bijbehorende uitleg. De symboolwaarschuwingen op zich elimineren geen enkel gevaar. De gegeven instructies en waarschuwingen gelden niet als vervanging voor gepaste voorzorgsmaatregelen tegen ongevallen.

**⚠ WAARSCHUWING:** Lees en begrijp alle veiligheidsinstructies die in deze gebruikershandleiding zijn vermeld, waaronder alle veiligheidssymbolen zoals "GEVAAR", "WAARSCHUWING", en "OPGELET" voordat u dit apparaat in gebruik neemt. Het negeren van onderstaande instructies kan leiden tot elektrische schokken, brand en/of ernstig persoonlijk letsel.

## BETEKENIS VAN DE SYMBOLEN

**⚠ WAARSCHUWINGSSYMBOL:** Geeft GEVAAR, WAARSCHUWING of OPGELET aan. Kan worden gebruikt in combinatie met andere symbolen of pictogrammen.



**⚠ WAARSCHUWING:** De werking van het apparaat kan leiden tot het rondslingeren van (vreemde) objecten die in uw ogen kunnen terechtkomen. Dit kan leiden tot ernstig oogletsel. Wanneer u elektrische apparaten gebruikt, zorg er dan voor dat u altijd een veiligheidsbril (met zijschermen) of een gelaatsscherm draagt. We bevelen aan om een gelaatsscherm over uw bril of standaard veiligheidsbril met zijschermen te gebruiken.

## VEILIGHEIDSVORSCHRIFTEN

Deze pagina toont en beschrijft alle veiligheidssymbolen die zich op dit product kunnen bevinden. Lees, begrijp en volg alle instructies op de machine voordat u deze in elkaar zet en gebruikt.

	Veiligheids waarsc-huwing	Geeft een risico op persoonlijk letsel aan.
	Lees de gebruiker-shandleiding	De gebruiker dient de gebruikershandleiding voor het gebruik van dit product te lezen en te begrijpen om risico op letsel te beperken.
	Draag gehoor bescher ming en een veiligheidsbril	Draag altijd een veiligheidsbril met zijschermen en een gelaatsscherm als u dit product gebruikt.
	Lengte van het mes van de kantensnijder	Lengte van het mes van de kantensnijder
	Houd omstanders uit de buurt	De afstand tussen het apparaat en de omstanders mag niet minder dan 15 m zijn.
	Draairichting van het mes van de kantensnijder	Geeft de richting van de bladrotatie van de kantensnijder aan.
	Vliegende voorwerpen	Controleer het oppervlak waar u het gereedschap wilt gebruiken en verwijder alle stenen, stokken, draden, botten en andere vreemde voorwerpen.
	Draag veiligheids-schoenen	Draag slipvrije veiligheidsschoenen als u dit apparaat gebruikt.
	Draaiend snijmes	Houd uw handen en voeten uit de buurt van de draaiende onderdelen.
	Houd voldoende afstand tot elektrische stroom-kabels	Om elektrocutie te voorkomen, mag u niet binnen een straal van 15m van bovenaardse elektriciteitskabels werken. Contact met of het gebruik naast elektriciteitskabels kan ernstig letsel of een elektrische schok met de dood tot gevolg hebben.

NL

	CE	Dit product is in overeenstemming met de EG-richtlijnen.
	UKCA	Dit product is in overeenstemming met de geldende wetgeving van het VK.
	WEEE	Gooi elektrisch afval niet via het huishoudelijk afval weg. Breng het naar een geautoriseerd recyclingbedrijf.
	Geluidniveau	Gewaarborgd geluidsvermogensniveau. Geluidsemisatie voor de omgeving in overeenstemming met de richtlijnen van de Europese Unie.
V	Volt	Spanning
mm	Millimeter	Lengte of afmeting
cm	Centimeter	Lengte of afmeting
kg	Kilogram	Gewicht
	Gelijkstroom	Stroomtype of -karakteristiek

## ALGEMENE VEILIGHEIDSVOORSCHRIFTEN VOOR GEREEDSCHAP

**⚠ WAARSCHUWING:** Lees alle veiligheids waarschuwingen, instructies, illustraties en specificaties die met deze machine worden geleverd. Het niet opvolgen van alle onderstaande instructies kan leiden tot elektrische schokken en/of ernstig letsel.

### BEWAAR ALLE WAARSCHUWINGEN EN INSTRUCTIES VOOR TOEKOMSTIG GEBRUIK.

De term “gereedschap” in de waarschuwingen verwijst naar uw op het voedingsnet aangedreven (met snoer) gereedschap of accuaangedreven (snoerloos) gereedschap.

### VEILIGHEID OP DE WERKPLAATS

- **Houd uw werkplaats schoon en goed verlicht.** Rommelige of donkere ruimten kunnen ongevallen veroorzaken.
- **Gebruik de machine niet in een explosieve omgeving, zoals in de aanwezigheid van**

**ontvlambare vloeistoffen, gasen of stof.** De machine veroorzaakt vonken en deze kan stof of dampen ontsteken.

- **Houd kinderen en omstanders uit de buurt wanneer u een machine bedient.** Aflleiding kan tot controleverlies leiden.

### ELEKTRISCHE VEILIGHEID

- **De stekker van de machine moet in het stopcontact passen. Pas de stekker op geen enkele manier aan. Gebruik geen adapterstekker met gearde machines.** Niet aangepaste stekkers en overeenkomstige stopcontacten beperken het risico op elektrische schokken.
- **Vermijd lichamelijk contact met gearde oppervlakken, zoals pijpleidingen, radiatoren, fornuizen of koelkasten.** Het risico op een elektrische schok is groter als uw lichaam gearde is.
- **Gebruik het gereedschap niet in regen of natte omstandigheden.** Water dat het gereedschap binnendringt, kan het risico op een elektrische schok of storingen met persoonlijk letsel tot gevolg hebben, vergroten.
- **Gebruik de kabel niet op een verkeerde manier. Gebruik de kabel nooit om de machine te dragen of mee te trekken of om de stekker uit het stopcontact te halen. Houd de kabel uit de buurt van hitte, olie, scherpe randen of bewegende onderdelen.** Beschadigde of verstrikte kabels vergroten het risico op een elektrische schok.
- **Wanneer u een machine buitenshuis bedient, gebruik dan een verlengkabel die geschikt is voor gebruik buitenshuis.** Het gebruik van een kabel die voor gebruik buitenshuis geschikt is, verkleint het risico op een elektrische schok.
- **Als het gebruik van een gereedschap in een vochtige omgeving onvermijdbaar is, gebruik dan een aardlekschakelaar (ALS).** Het gebruik van een ALS verkleint het risico op een elektrische schok.

### PERSOONLIJKE VEILIGHEID

- **Wees waakzaam, let op wat u doet en gebruik uw gezond verstand wanneer u een machine gebruikt. Gebruik geen machine niet als u moe bent of onder de invloed bent van drugs, alcohol of medicijnen.** Een moment van onoplettendheid tijdens het gebruik van de machine kan leiden tot ernstig persoonlijk letsel.
- **Gebruik persoonlijke beschermingsmiddelen. Draag altijd oogbescherming.** Beschermingsmiddelen zoals een stofmasker,

slijpvaste veiligheidsschoenen, veiligheidshelm of gehoorbescherming afhankelijk van de aard en het gebruik van het gereedschap verkleint het risico op persoonlijk letsel.

- **Vermijd dat de machine per ongeluk wordt gestart. Zorg dat de schakelaar op de stand 'Uit' is ingesteld voordat u de machine op een stroombron en/of accu aansluit, vastneemt of draagt.** Het dragen van een gereedschap met uw vinger op de schakelaar of het activeren van een gereedschap met de schakelaar op 'aan', leidt tot ongelukken.
- **Verwijder instelsleutels of moersleutels voordat u de machine inschakelt.** Een instelsleutel of moersleutel in een draaiend deel van de machine achterlaten kan leiden tot persoonlijk letsel.
- **Reik niet te ver. Zorg er altijd voor dat u stevig en stabiel staat.** Dit zorgt ervoor dat u de machine in onverwachte situaties beter onder controle kunt houden.
- **Draag passende kleding. Draag geen los hangende kleding of sieraden. Houd uw haar en kleding uit de buurt van bewegende onderdelen.** Los hangende kleding, sieraden en lang haar kunnen in bewegende onderdelen verstrikt raken.
- **Wanneer de montage van stofafzuiging- of stofopvangvoorzieningen mogelijk is, dient u ervoor te zorgen dat deze juist aangesloten en gebruikt worden.** Het gebruik van een stofopvang kan helpen om het risico in verband met stof te verlagen.
- **Word niet zelfingenomen door de ervaring die u hebt opgedaan door frequent gebruik, waardoor u dan de veiligheidswaarschuwingen negeert.** Een achteloze actie kan binnen een fractie van een seconde ernstig letsel veroorzaken.

#### GEBRUIK EN ONDERHOUD VAN HET GEREEDSCHAP

- **Overbelast de machine niet. Gebruik de juiste machine voor uw toepassing.** Met de juiste machine werkt u beter en veiliger binnen het aangegeven vermogensbereik.
- **Gebruik de machine niet als de schakelaar niet kan worden in- en uitgeschakeld.** Een machine die niet met de schakelaar kan worden bediend is gevaarlijk en moet worden gerepareerd.
- **Trek de stekker uit de stroomvoorziening en/ of verwijder de accu, indien deze kan worden verwijderd, uit het gereedschap voordat u deze instelt, accessoires vervangt of het gereedschap opbergt.** Deze preventieve voorzorgsmaatregelen beperken het risico op onbedoeld starten van de machine.

- **Bewaar de niet-gebruikte machine buiten het bereik van kinderen en laat de machine niet bedienen door personen die niet bekend zijn met de machine of deze instructies.** Machines zijn gevaarlijk wanneer ze door onervaren personen worden gebruikt.
- **Onderhoud van machines en toebehoren. Controleer of de bewegende onderdelen correct functioneren en niet vastklemmen en/of de onderdelen zodanig gebroken of beschadigd zijn dat de werking van de machine nadelig wordt beïnvloed. Als de machine beschadigd is, laat deze voor gebruik repareren.** Vele ongevallen worden veroorzaakt door een slecht onderhouden machine.
- **Houd snij-gereedschap scherp en schoon.** Zorgvuldig onderhouden snij-gereedschap met scherpe snijranden klemt minder snel vast en is gemakkelijker te beheersen.
- **Gebruik het gereedschap, de accessoires, het inzetgereedschap, etc. in overeenstemming met deze instructies en houd hierbij rekening met de werkomstandigheden en de uit te voeren werkzaamheden.** Het gebruik van de machine voor andere dan de beoogde toepassingen kan een gevaarlijke situatie tot gevolg hebben.
- **Houd de handgrepen en greepvlakken droog, schoon en vrij van olie en smeervet.** Glibberige handgrepen en greepvlakken maken een veilige omgang en de controle over de machine in onverwachte situaties onmogelijk.

#### GEBRUIK EN ONDERHOUD VAN HET ACCU-GEREEDSCHAP

- **Opladen alleen met de lader die door de fabrikant is aangegeven.** Een lader die geschikt is voor een bepaald type accu kan tot brandgevaar leiden wanneer deze gebruikt wordt met een ander accu.
- **Gebruik machines alleen met de specifiek vermelde accu's.** Het gebruik van andere accupacks kan risico op letsel en brandgevaar veroorzaken.
- **Wanneer u het accupack niet gebruikt, houd het uit de buurt van andere metalen voorwerpen zoals paperclips, munten, sleutels, spijkers, schroeven of andere kleine metalen voorwerpen die de twee aansluitklemmen kunnen verbinden.** Het kortsluiten van de aansluitklemmen kan brandwonden of brand veroorzaken.
- **Bij verkeerd gebruik kan er vloeistof uit de accu worden gespoten; vermijd elk contact. Als aanraking met de vloeistof toevallig plaatsvindt, spoel het dan af met water. Als de vloeistof in**

NL

de ogen komt, dient u onmiddellijk een arts te consulteren. Vloeistof dat uit de accu wordt gespoten kan irritatie of brandwonden veroorzaken.

- **Gebruik geen accu of machine die is beschadigd of aangepast.** Beschadigde of aangepaste accu's kunnen resulteren in onvoorzien gedrag zoals brand, explosie of het risico op letsel.
- **Stel een accu of machine niet bloot aan vuur of excessieve temperaturen.** Blootstelling aan vuur of temperaturen boven 130 °C kunnen leiden tot een explosie.
- **Neem alle laadinstructies in acht en laad de accu of de machine niet buiten het gespecificeerde temperatuurbereik in de handleiding op.** Het onjuist laden of bij een temperatuur buiten het temperatuurbereik kan de accu beschadigen en er bestaat een gevaar op brand.

## BELANGRIJKE VEILIGHEIDSINSTRUCTIES

**⚠ WAARSCHUWING:** Tijdens het gebruik van grastrimmers, moeten de volgende standaard veiligheidsmaatregelen worden genomen om het risico op brand, elektrische schokken en persoonlijk letsel te vermijden:

## LEES GRONDIG VOOR GEBRUIK

### BEWAAR VOOR LATERE RAADPLEGING

**⚠ GEVAAR:** Vertrouw niet op de isolatie van het gereedschap om elektrische schokken te voorkomen. Om het risico op elektrocutie te beperken, bedien de machine nooit in de buurt van bedrading of kabels (voeding, etc.) die onder elektrische stroom staan.

**⚠ OPGELET:** Draag gepaste persoonlijke gehoorbescherming tijdens gebruik. In bepaalde omstandigheden en afhankelijk van de gebruiksduur kan het lawaai dat dit product produceert tot gehoorverlies leiden.

### Opleiding

- Lees de instructies aandachtig door. Maak u vertrouwd met de bedieningsknoppen en het juiste gebruik van de machine.
- Kinderen of personen die de instructies niet kennen mogen dit apparaat niet gebruiken. De lokale wetgeving kan de leeftijd van de bediener begrenzen.
- Gebruik de kantensnijder nooit als er zich mensen, in het bijzonder kinderen of huisdieren, in de buurt bevinden.

- Onthoud dat de bediener of gebruiker verantwoordelijk is voor ongevallen of gevaren die zich bij andere personen of hun eigendommen voordoen.

### Vorbereitung

- Tijdens het gebruik van de kantensnijder dient u altijd gehoorbescherming en een veiligheidsbril, stevig schoeisel en een lange broek te dragen.
- Controleer het oppervlak waar u het gereedschap wilt gebruiken en verwijder alle stenen, stokken, draden, botten en andere vreemde voorwerpen.
- Voordat u het apparaat gebruikt, dient u de messen, moer van de messen en de opbouw van de messen op slijtage of beschadigingen te controleren. Vervang versleten of beschadigde messen en moeren als set om de balans te behouden.

### Gebruik

- Gebruik de kantensnijder alleen bij daglicht of voldoende kunstmatig licht.
- Let op uw houding als u het apparaat op hellingen gebruikt.
- Altijd lopen, nooit rennen.
- Wees zeer voorzichtig als u draait of de kantensnijder in uw richting trekt.
- Zorg ervoor dat het mes stil staat voordat u over oppervlakken gaat die niet uit gras bestaan en als u de kantensnijder van en naar het werkgebied brengt.
- Gebruik de kantensnijder niet als deze defect is, of de bescherming ontbreekt of niet juist is gemonteerd.
- Verander de instellingen van de motorregelaar niet en zorg ervoor dat de snelheid van de motor niet buiten de grenzen ligt.
- Start de schakelaar van de motor voorzichtig volgens de instructies in en houd uw voeten uit de buurt van het mes (de messen).
- Niet schuin houden als u de motor inschakelt, tenzij de kantensnijder gekanteld moet zijn voor de start. In dit geval mag u hem niet verder dan de absolute noodzakelijke hoek kantelen en alleen het gedeelte optillen, dat het verste weg is van de bediener.
- Start de motor niet, als zich personen voor het(de) mes(sen) bevinden.
- Houd uw handen en voeten uit de buurt van de draaiende onderdelen.
- Schakel de motor altijd uit en verbreek de verbinding met de accu:
  - 1) Voor het verwijderen van blokkades;
  - 2) Voor het controleren, reinigen of onderhouden van het(de) mes(sen);

- 3) Na het raken van een vreemd voorwerp: Inspecteer het(de) mes(sen) op beschadigingen en voer reparaties uit voordat u de kantensnijder weer start en in gebruik neemt;
- 4) Als de kantensnijder overmatig trilt (direct controleren).
- Stop de motor wanneer u de kantensnijder ergens laat liggen;
- Laad het accupack niet op als het regent of in een natte omgeving.
- Gebruik alleen met in afb. A vermelde accupacks en opladers.
- Haal het accupack uit het apparaat alvorens het apparaat af te danken.
- Gooi het accupack op een veilige manier weg.
- Gooi het accupack niet in vuur. De cellen kunnen ontploffen. Raadpleeg de lokale wetgeving voor eventuele speciale verwijderingsvoorschriften.
- Open of beschadig de batterij niet. Vrijgekomen elektrolyt is corrosief en kan schade aan de ogen en huid veroorzaken. Het kan giftig zijn wanneer het wordt ingeslikt.
- Wees voorzichtig wanneer u accupacks gebruikt. Sluit het accupack nooit kort met geleidende materialen zoals ringen, armbanden of sleutels. Het accupack of de geleider kan oververhitten en brandwonden veroorzaken.
- Accugereedschap moet niet op een stopcontact worden aangesloten en kan aldus altijd onmiddellijk gebruikt worden. Let voor mogelijke gevaren, zelfs wanneer het gereedschap niet in werking is. Let op wanneer u onderhoud op het gereedschap uitvoert.
- Reinig het gereedschap niet met een slang. Zorg dat de motor of elektrische componenten niet met water in aanraking komen.

#### Onderhoud en opslag

- Zorg dat alle moeren, bouten en schroeven altijd stevig vastgedraaid zijn om een veilige werking van het gereedschap te waarborgen.
- Vervang versleten of beschadigde onderdelen.
- Probeer het gereedschap niet zelf te repareren tenzij u de vaardigheden hiertoe bezit.
- Gebruik alleen reserve-onderdelen en accessoires die door de fabrikant zijn aanbevolen.
- Verbreek de verbinding van het gereedschap en de accu voordat u onderhoud of reinigingswerkzaamheden uitvoert.
- Controleer en onderhoud de machine regelmatig. Laat de machine alleen door een erkende reparateur repareren.

- Wanneer niet in gebruik, berg de machine op buiten het bereik van kinderen.
- Als er zich situaties voordoen die niet in deze handleiding zijn behandeld, gebruik uw gezond verstand. Neem contact op met het EGO servicecentrum voor bijstand.
- Bewaar deze handleiding. Raadpleeg de gebruikershandleiding indien nodig en gebruik deze om andere personen die dit apparaat zullen gebruiken te onderrichten. Als u dit apparaat aan iemand anders geeft, geef hem/haar dan in ieder geval ook de gebruikershandleiding mee om verkeerd gebruik en/of mogelijk letsel te voorkomen.

NL

#### BEWAAR DEZE GEBRUIKSAANWIJZING!

**OPMERKING: KIJK IN DE GEBRUIKSAANWIJZING VAN DE MOTORKOP VOOR AANVULLENDE SPECIFIEKE VEILIGHEIDSinSTRUCTIES.**

#### SPECIFICATIES

Lengte van het blad	20 cm
Diepte van de kantensnijder	Tot 75 mm
Gewicht	2,26 kg
Bedrijfstemperatuur	-15°C-40°C
Opslagtemperatuur	-20°C-70°C
Gemeten geluidsvermogensniveau $L_{WA}$	92,4 dB(A) K=2,07 dB(A) (PH1400E)
	90,7 dB(A) K=1,46 dB(A) (PH1420E)
	90 dB(A) K=1,3 dB(A) (PHX1600)
Geluidsdruk niveau aan het oor van de bediener $L_{PA}$	79,8 dB(A) K=3 dB(A) (PH1400E)
	81,2 dB(A) K=3 dB(A) (PH1420E)
	84 dB(A) K=3 dB(A) (PHX1600)
Gegarandeerd geluidsvermogensniveau $L_{WA}$ (gemeten volgens 2000/14/EG)	95 dB(A)

Vibratie $a_h$	Voorste handvat	1,2 m/s <sup>2</sup> K=1,5 m/s <sup>2</sup> (PH1400E)
		1,95 m/s <sup>2</sup> K=1,5 m/s <sup>2</sup> (PH1420E)
		1,6 m/s <sup>2</sup> K=1,5 m/s <sup>2</sup> (PHX1600)
	Achterste handvat	2,2 m/s <sup>2</sup> K=1,5 m/s <sup>2</sup> (PH1400E)
		1,66 m/s <sup>2</sup> K=1,5 m/s <sup>2</sup> (PH1420E)
		1,53 m/s <sup>2</sup> K=1,5 m/s <sup>2</sup> (PHX1600)

- De bovengenoemde parameters werden getest en gemeten met de motorkop PH1400E/PH1420E/PHX1600;
- De opgegeven totale vibratiewaarde is gemeten volgens de standaard testmethode en kan worden gebruikt om het apparaat met een ander apparaat te vergelijken;
- De opgegeven totale vibratiewaarde kan ook worden gebruikt in een voorafgaande beoordeling op blootstelling.

**MEDEDELING:** De vibratie-afgifte tijdens het werkelijk gebruik van het elektrisch gereedschap kan verschillen van de opgegeven totale waarde; Om de bediener te beschermen dient de gebruiker tijdens het gebruik handschoenen en gehoorbescherming te dragen.

## INHOUD VAN DE VERPAKKING

NAAM ONDERDEEL	AANTAL
Kantensnijder toebehoor	1
Binnenzeskantsleutel	1
Multifunctionele sleutel	1
Splitpen	2
Gebruikershandleiding	1

## Aanbevolen mes

OMSCHRIJVING VAN DE ONDERDELEN	MODELNUMMER
Mes kantensnijder	AEB0800

## BESCHRIJVING

### KEN UW KANTENSIJDER TOEBEHOOR (afb. A)

1. Einddop
2. Schacht van de kantenslijper
3. Zaagbladbeschermer
4. Blad
5. Knop voor de diepte-instelling
6. Geleidingswiel
7. Binnenzeskantsleutel
8. Multifunctionele sleutel
9. Geleiding voor de diepte-instelling
10. Vuilklep
11. Splitpen
12. Schroef om de geleidingsplaat op zijn plek te houden
13. Geleidingsplaat

## MONTAGE

**⚠ WAARSCHUWING:** Als er onderdelen beschadigd zijn of ontbreken, gebruik dit product niet totdat alle onderdelen vervangen of aanwezig zijn. Dit product gebruiken met beschadigde of ontbrekende onderdelen kan ernstig persoonlijk letsel veroorzaken.

**⚠ WAARSCHUWING:** Probeer niet om dit product aan te passen of accessoires te maken die niet voor gebruik met deze grastrimmer zijn aanbevolen. Een dergelijke aanpassing of wijziging is verkeerd en kan leiden tot gevaar en een ernstig persoonlijk letsel.

**⚠ WAARSCHUWING:** Om het toevallig starten van het gereedschap, dat ernstig persoonlijk letsel kan veroorzaken, te voorkomen, verwijder altijd de accu uit het gereedschap voordat u onderdelen monteert."

**⚠ WAARSCHUWING:** Draag altijd handschoenen wanneer u de bescherming monteert of vervangt. Let op voor het mes op de bescherming zodat u geen letsel oploopt."

**⚠ WAARSCHUWING:** Gebruik het gereedschap nooit zonder juist gemonteerde bescherming. De bescherming moet zich altijd op het gereedschap bevinden om



de gebruiker te beschermen! Als de bescherming is vastgemaakt, mag u nooit pogen de bescherming te verwijderen of aan te passen. Als u een vervanging nodig heeft, dient dit te worden uitgevoerd door een gekwalificeerde onderhoudsmonteur!”

### AANSLUITEN VAN HET KANTENSNIJDER TOEBEHOOR AAN DE MOTORKOP

Het kantensnijder toebehoor is ontworpen voor het gebruik met de EGO 56V lithium-ion accu motorkop PH1400E/PH1420E/PHX1600.

Zie hoofdstuk “**INSTALLEREN VAN TOEBEHOOR AAN DE MOTORKOP**” in de gebruiksaanwijzing van de motorkop PH1400E/PH1420E/PHX1600.

## BEDIENING

**⚠ WAARSCHUWING:** Vertrouwdheid kan leiden tot onvoorzichtigheid. Opgelet, één seconde van onvoorzichtigheid kan ernstig letsel teweegbrengen.

**⚠ WAARSCHUWING:** Draag altijd een veiligheidsbril met zijkleren. In combinatie met gehoorbescherming. Het niet dragen van deze beschermingsuitrusting kan ertoe leiden dat voorwerpen in uw ogen terechtkomen of kan een ander ernstig letsel veroorzaken.

### APPLICATIES

U kunt dit product gebruiken voor onderstaand vermeld doeleinde:

- Het kantensnijden langs de stoep, paden, bloemperken en andere, soortgelijke omgevingen.

**OPMERKING:** Het gereedschap mag alleen voor het voorheen genoemde doeleinde worden gebruikt. Ieder ander gebruik is in dit geval misbruik.

### Voor elk gebruik, controleer op beschadigde/ versleten onderdelen

Controleer de snijkop, scherm en voorste handvat en vervang de onderdelen die gebarsten, scheef getrokken, gebogen of beschadigd zijn.

**⚠ WAARSCHUWING:** Om ernstig persoonlijk letsel te voorkomen, haal het accupack uit het gereedschap voor onderhoud, reiniging, het wijzigen van accessoires of het verwijderen van materiaal.

### GEbruIKEN VAN HET KANTENSNIJDER TOEBEHOOR MET DE MOTORKOP

**⚠ WAARSCHUWING:** Draag gepaste kleding om het risico op letsel tijdens gebruik van dit gereedschap te beperken. Draag geen los hangende kleding of juwelen. Draag oog- en oorbescherming. Draag een stevige lange broek, laarzen en handschoenen. Draag geen korte broek of sandalen of ga niet blootsvoets. Draag een gezichts- of stofmasker in geval van een stoffige omgeving.

**⚠ WAARSCHUWING:** Verwijder alle obstakels en vaste voorwerpen uit het werkgebied.

Voor een veiliger en beter gebruik draagt u de schouderriem over uw schouder. Pas de schouderriem aan zodat u een comfortabele werkpositie bereikt.

Houd de kantensnijder met uw rechterhand op het achterste handvat en uw linkerhand op het voorste ondersteunende handvat vast. Houd het gereedschap tijdens het gebruik stevig vast met beide handen. De kantensnijder dient op een prettige manier te worden vastgehouden met het achterste handvat ongeveer op heuphoogte (afb. B).

**⚠ WAARSCHUWING:** De schouderriem heeft ook een snelontspanningsmechanisme voor gevaarlijke situaties. Als er sprake is van een noodgeval, haalt u hem direct van de schouder, ongeacht hoe de riem zit.

### Maak de kantensnijder na ieder gebruik schoon

Kijk in het hoofdstuk ONDERHOUD voor de reinigingsinstructies.

### DE DIEPTE VAN DE SNEDE AANPASSEN

1. Stop de motor en verwijder het accupack.
2. Maak de instelknop voor de diepte los in de richting van de ontgrendelingspijl die op de knop staat (afb. C).
3. Beweeg het geleidingswiel langs de geleiding voor de diepte-instelling; naar boven om de diepte te verhogen of naar beneden om de diepte te verminderen (afb. D).
4. Pas het geleidingswiel aan zodat het mes net de bodem aanraakt of het oppervlak van de grond niet verder dan 5 mm snijdt (afb. E) en maak vervolgens goed vast.
5. Ga in een normale werkpositie staan, controleer nogmaals de snijdiepte en corrigeer indien nodig.

### HET GEREEDSCHAP STARTEN/STOPPEN

Zie hoofdstuk “**STARTEN/STOPPEN VAN DE MOTORKOP**” in de gebruiksaanwijzing van de motorkop PH1400E/PH1420E/PHX1600.

## TIPS VOOR HET GEBRUIK

- Houd de motorkop vast en leidt hem zodat het mes verticaal is. Gebruik de zichtlijn om het mes in één lijn met de kant van het bed te brengen (afb. F).
- Gebruik hem met geen hogere snelheid dan een normale wandelsnelheid. Als het mes begint te zakken, werkt u te snel; ga langzamer te werk.
- Wandel altijd naar voren als u bezig bent met snijden en beweeg de kantensnijder naar voren. Trek de kantensnijder niet naar u toe.
- Oefen geen kracht uit op het mes in de grond. Gering contact van het mes met de rand van de stoep, pad, etc. is acceptabel en zal de kantensnijder niet beschadigen.
- U krijgt de beste resultaten als het gras droog is. Voorkom het snijden in gebieden met natte grond of nat gras; hierdoor kan de bescherming vol komen te zitten, waardoor het resultaat niet egaal is. Als de mesbeschermer vol komt te zitten, stopt u de motor, verwijderd u het accupack, en verwijderd u al het vuil van de mesbeschermer.

NL

## ONDERHOUD

**⚠ WAARSCHUWING:** Voor het inspecteren, reinigen of onderhouden van het apparaat dient u de motor te stoppen, te wachten totdat alle bewegende onderdelen tot stilstand zijn gekomen en het accupack te verwijderen. Het negeren van deze instructies kan ernstig persoonlijk letsel of materiële schade tot gevolg hebben.

**⚠ WAARSCHUWING:** Bij reparatie, gebruik uitsluitend identieke reserve-onderdelen. Controleer en onderhoud de machine regelmatig. Laat alle reparaties uitvoeren door een vakbekwame reparateur om een continue veiligheid en betrouwbaarheid te waarborgen.

### ALGEMEEN ONDERHOUD

Maak de kunststof onderdelen niet schoon met oplosmiddelen. De meeste kunststoffen kunnen worden beschadigd wanneer ze in contact komen met commerciële oplosmiddelen. Gebruik een schone doek voor het verwijderen van vuil, stof, olie, smeer, etc.

### HET APPARAAT SCHOONMAKEN

- Na ieder gebruik dient u het mes en de beschermer met een zachte borstel te ontdoen van vuil, opgehoopte aarde of gras. Veeg het oppervlak van de kantensnijder schoon met een vochtige doek en een mild zeepsopje.
- Maak de ventilatieopeningen van de achterste behuizing schoon met een kleine borstel of een stofzuiger met een kleine borstel om ze van obstakels te ontdoen.

- **OPMERKING:** Maak de kunststof behuizing of handvat niet schoon met een agressief schoonmaakmiddel. Deze kunnen door bepaalde aromatische oliën, zoals pijnboom en citroen worden beschadigd.

### HET MES VERVANGEN

**⚠ WAARSCHUWING:** Probeer een gebogen of gescheurd mes recht te maken of te lassen; hierdoor kan het breken. Het dient te worden vervangen. Aanbevolen vervanging alleen met EGO kantensnijdermes, zie het gedeelte "Aanbevolen mes".

**OPMERKING:** Vervang het mes als de lengte niet meer voldoende is voor het nodige onderhoud en de nodige diepte niet meer wordt verkregen.

**⚠ WAARSCHUWING:** Bescherm altijd uw handen door handschoenen te dragen of door het mes met doeken of andere materialen in te wikkelen voordat u onderhoud aan het mes van de kantensnijder uitvoert.

### Het mes verwijderen

1. Stop de motor en verwijder het accupack.
  2. Leg de kantensnijder op de achterkant zodat het mes naar boven is gericht.
  3. Draag beschermende handschoenen. Gebruik een nijptang (niet inbegrepen) om de splitpen uit de motorschacht te verwijderen (afb. G).
  4. Draai het blad om de sleuf in de flens met het gat in de versnellingsbak in één lijn te brengen (afb. G).
- Afb. G beschrijving van de onderdelen zie beneden:

G-1	Splitpen
G-2	Binnenflens
G-3	Versnellingsbak

5. Steek de meegeleverde binnenzeskantsleutel in de zich op een lijn bevindende gaten zodat deze als stabilisator kan fungeren. Gebruik de meegeleverde multifunctionele sleutel om de moer **MET DE KLOK MEE** los te maken (afb. H).
6. Verwijder de moer, de buitenflens, het mes en de binnenflens van de motorschacht (afb. I). Controleer en vervang ze als ze zijn versleten.

Afb. I beschrijving van de onderdelen zie beneden:

I-1	Motorschacht	I-5	Blad
I-2	Binnenflens	I-6	Buitenflens
I-3	Sleuf in de binnenflens	I-7	Moer
I-4	Uitstulping op de binnenflens	I-8	Splitpen

### Installatie van het mes

1. Positioneer de binnenflens op de motorschacht met de uitstulping naar buiten gericht (afb. I).
2. Installeer het nieuwe mes op de binnenflens, zorg ervoor dat het mes veilig bevestigd is (afb. J).
3. Bevestig de buitenflens en de moer op de schacht en draai de moer alvast **TEGEN DE KLOK IN** met de hand vast.
4. Volg de bovenstaande stappen 4 & 5 in "Het mes verwijderen" om het mes stabiliseren om het zo veilig met de moer **TEGEN DE KLOK IN** vast te kunnen draaien.
5. Steek een nieuwe, meegeleverde splitpen in het gat in de motorschacht. Buig de twee voetjes van de pen in tegengestelde richtingen met de nijptang (niet inbegrepen) (afb. G).

### HET GELEIDINGSWIEL VERVANGEN

1. Stop de motor en verwijder het accupack.
2. Leg de kantensnijder op de achterkant zodat het geleidingswiel naar boven is gericht.
3. Maak de instelknop voor de diepte los in de richting van de ontgrendelingspijl die op de knop staat en verwijder hem.
4. Verwijder de veerring, sluitring 1, geleidingswiel, doorvoering en sluitring 2 van de schroefpaal (afb. K). Controleer en vervang ze als ze zijn versleten.
5. Bevestig de schroefpaal eerst door de diepte-instellingsgeleiding en monteer vervolgens de sluitring 2, doorvoering en het nieuwe wiel, monteer vervolgens de sluitring 1, veerring en de diepte-instellingsknop op de schroefpaal in de op afb. K getoonde volgorde.

Afb. K beschrijving van de onderdelen zie beneden:

K-1	Knop voor de diepte-instelling	K-5	Doorvoering
K-2	Veerring	K-6	Sluitring 2
K-3	Sluitring 1	K-7	Schroefpaal
K-4	Geleidingswiel	K-8	Geleiding voor de diepte-instelling

**OPMERKING:** Het geleidingswiel dient met de vlakke ribbels naar binnen gericht gemonteerd te worden (afb. L).

Afb. L beschrijving van de onderdelen zie beneden:

L-1	Schroeven	L-3	Vuilklep
L-2	Vlakke ribbels	L-4	Bevestigingsplank

6. Vergrendel de knop voor de diepte-instelling.

### VERVANGEN VAN DE VUULKLEP (afb. L)

1. Stop de motor en verwijder het accupack.
2. Gebruik de binnenzeskantsleutel die is meegeleverd om de twee schroeven los te maken.
3. Verwijder de schroeven, die de bevestigingsplaat en de versleten vuilklep met elkaar verbinden.
4. Vervang door een nieuwe vuilklep en bevestig weer met behulp van de twee schroeven an de bevestigingsplaat.

### CONTROLLEREN EN VERVANGEN VAN DE ANTI-SLIJTAGE BESCHERMING/GELEIDINGSPLAAT (afb. M)

Controleer de anti-slijtage bescherming en de geleidingsplaat op beschadigingen alvorens het gereedschap te starten. De anti-slijtage bescherming moet worden vervangen zodra de versnellingsbak zichtbaar wordt.

**OPMERKING:** De versnellingsbak kan ernstig beschadigd raken als u de anti-slijtage bescherming niet vervangt zodra de versnellingsbak zichtbaar wordt.

1. Stop de motor en verwijder het accupack.
2. Draag beschermende handschoenen. Draai het mes indien nodig zodat u de twee schroeven ziet.
3. Gebruik de binnenzeskantsleutel die is meegeleverd om de twee schroeven los te maken en verwijder ze vervolgens.

**OPMERKING:** Als u alleen de geleidingsplaat hoeft te vervangen, kunt u schroef 1 losdraaien en verwijderen.

4. Vervang de vervormde of versleten anti-slijtage bescherming/geleidingsplaat.
5. Monteer de nieuwe anti-slijtage bescherming en geleidingsplaat op de versnellingsbak en maak ze vast met de twee schroeven.

Afb. M beschrijving van de onderdelen zie beneden:

M-1	Schroef 1	M-4	Anti-slijtage bescherming
M-2	Geleidingsplaat	M-5	Bevestigingsgaten
M-3	Schroef 2	M-6	Versnellingsbak

### VERWIJDEREN VAN DE GELEIDINGSPLAAT

Als u ervaring heeft met dit type van kantensnijder, of als u van mening bent dat de geleidingsplaat hindert tijdens het werk, kunt u de geleidingsplaat verwijderen.

1. Maak schroef 1 los en verwijder hem.
2. Verwijder de geleidingsplaat.
3. Vervang en draai schroef 1 vast.

## SMEREN VAN DE VERSNELLING

De versnelling in de versnellingsbak dient regelmatig met smeervet voor versnellingen te worden gevet. Controleer het vetniveau van de versnellingsbak ongeveer alle 50 uur van gebruik door de vergrendelschroef aan de zijkant van de bak te verwijderen.

Als u geen vet meer ziet aan de zijkanten van de versnelling, dient u de onderstaande stappen te volgen voor het tot 3/4 bijvullen van het vet.

Vul de versnellingen niet helemaal.

NL

1. Zet de kantensnijder rechtop zodat de vergrendelschroef naar boven is gericht (afb. N).
2. Gebruik de meegeleverde multifunctionele sleutel en verwijder de vergrendelschroef. Gebruik een vetspuit (niet inbegrepen) om een beetje vet in het schroefgat te spuiten; niet meer dan 3/4 van de capaciteit vullen.
3. Maak de vergrendelschroef na het injecteren weer vast.

## HET APPARAAT OPBERGEN

- Haal het accupack uit de kantensnijder
- Maak het gereedschap grondig schoon voordat u het opbergt.
- Als het kantensnijder-toebehør wordt verwijderd van de motorkop en apart wordt opgeborgen, dient u de einddop op de schacht van het toebehør te plaatsen, om te voorkomen dat er vuil in de koppeling terecht komt.
- Berg het apparaat op in een droge, goed geventileerde en afsluitbare ruimte of op een hoge hoogte en buiten het bereik van kinderen. Berg het apparaat niet op in de buurt van meststoffen, benzine of andere chemicaliën.

## Het milieu beschermen



Gooi geen elektrische apparatuur, gebruikte accu's en laders weg via het huishoudelijk afval! Geef dit product af bij een geautoriseerd recyclingbedrijf en zorg dat het apart kan worden ingezameld. Elektrisch gereedschap moet worden geretourneerd voor een milieuvriendelijke recycling.

## PROBLEEMOPLOSSING

PROBLEEM	OORZAAK	OPLOSSING
De motor wil niet starten.	<ul style="list-style-type: none"> <li>■ Het accupack is niet op de motorkop aangesloten.</li> <li>■ Er is geen elektrisch contact tussen de motorkop en het accupack.</li> <li>■ Het accupack is uitgeput.</li> <li>■ De knop en trekker zijn niet gelijktijdig ingedruwd.</li> </ul>	<ul style="list-style-type: none"> <li>■ Sluit het accupack aan op de motorkop.</li> <li>■ Verwijder het accupack, controleer de aansluitklemmen en plaats het accupack terug totdat deze vast klikt.</li> <li>■ Laat het accupack op met de EGO lader die in deze gebruiksaanwijzing wordt vermeld.</li> <li>■ Duw de ontgrendelingsknop in en houd deze in positie. Druk de inschakelknop om de motorkop in te schakelen.</li> </ul>
De motorkop stopt tijdens het gebruik.	<ul style="list-style-type: none"> <li>■ De motor is overbelast.</li> <li>■ Het accupack of de motorkop is te warm.</li> <li>■ Het accupack is niet met het gereedschap verbonden.</li> <li>■ Het accupack is uitgeput.</li> </ul>	<ul style="list-style-type: none"> <li>■ De motor herstelt weer zodra de belasting is verdwenen. Voor continu gebruik dient u het vermogen van de motorkop te verlagen.</li> <li>■ Laat het accupack of de motorkop afkoelen totdat de temperatuur lager dan 67°C is.</li> <li>■ Installeer het accupack opnieuw.</li> <li>■ Laat het accupack op met de EGO lader die in deze gebruiksaanwijzing wordt vermeld.</li> </ul>
Ongelijkmatige rand	<ul style="list-style-type: none"> <li>■ Het gras of de aarde is te nat.</li> <li>■ De mesbeschermer zit dicht.</li> </ul>	<ul style="list-style-type: none"> <li>■ Vermijd het snijden in natte grond of nat gras.</li> <li>■ Stop de motor, verwijder het accupack, en verwijder al het vuil van de mesbeschermer.</li> </ul>

NL

## GARANTIE

### EGO GARANTIEVOORWAARDEN

Bezoek onze website [egopowerplus.eu](http://egopowerplus.eu) voor alle voorwaarden van de EGO garantie.

## LÆS ALLE ANVISNINGER!



### LÆS BRUGANVISNING

**⚠ ADVARSEL:** For at sikre sikkerhed og pålidelighed, bør alle reparationer og udskiftninger udføres af en kvalificeret servicetekniker.

## SIKKERHEDSSYMBOLER

DK

Formålet med sikkerhedssymboler er at gøre dig opmærksom på mulige farer. Du bør være meget opmærksom på sikkerhedssymbolerne og forklaringer til dem og lære at forstå dem. Symboladvarslær fjerner ikke i sig selv eventuelle farer. Anvisningerne og advarslerne er ingen erstatning for korrekte forebyggelsesforanstaltninger mod ulykker.

**⚠ ADVARSEL:** Sørg for at læse og forstå alle sikkerhedsanvisninger i denne brugsanvisning, inklusive alle sikkerhedssymboler, såsom "FARE", "ADVARSEL" og "FORSIGTIG", før du bruger dette værktøj. Hvis du ikke følger advarslere og anvisninger, kan det resultere i elektrisk stød, brand og/eller alvorlig personskade.

## SYMBOLBETYDNING

**⚠ SYMBOL FOR SIKKERHEDSVARSEL:** Angiver **FARE**, **ADVARSEL** eller **FORSIGTIG**. Kan anvendes i kombination med andre symboler eller piktogrammer.



**⚠ ADVARSEL:** Brugen af et elværktøj kan resultere i, at du får fremmedlegemer i øjnene, hvilket kan give alvorlige øjenskader. Inden du begynder at bruge et elværktøj, skal du altid bære beskyttelsesbriller eller sikkerhedsbriller med sidebeskyttelse og om nødvendigt en fuld ansigtsmaske. Vi anbefaler en maske med bredt udsyn til brug over briller eller standardsikkerhedsbriller med sidebeskyttelse.

## SIKKERHEDSANVISNINGER

Denne side viser og beskriver sikkerhedssymboler, der kan forekomme på dette produkt. Læs, forstå, og følg alle anvisninger på apparatet, før du forsøger at samle og betjene det.

	Sikkerhedsvarsel	Angiver en potentiel fare for personskade.
	Læs brugsanvisningen	For at nedsætte risikoen for personskade, skal brugeren læse og forstå brugsanvisningen, før dette produkt tages i brug.
	Brug høreværn og beskyttelsesbriller	Bær altid beskyttelsesbriller eller sikkerhedsbriller med sidebeskyttelse og om nødvendigt en fuld ansigtsmaske.
	Længde på kantklipperens klinge	Længde på kantklipperens klinge
	Hold omkringstående på afstand	Afstanden mellem apparatet og omkringstående skal være mindst 15 meter.
	Kantskærerens rotationsretning	Angiver kantskærerens rotationsretning.
	Undslyngede fremmedlegemer	Undersøg grundigt området, hvor udstyret skal anvendes, og fjern evt. sten, pinde, ledninger, knogler og andre fremmedlegemer.
	Benytt sikkerhedsfodtøj	Benytt skridsikkert sikkerhedsfodtøj, når du bruger dette udstyr.
	Roterende kniv	Dine hænder eller fødder må ikke komme i nærheden af eller under roterende dele.
	Hold tilstrækkelig afstand til elektriske ledninger	For at undgå elektrisk stød må du ikke bruge det inden for en afstand af 15m fra elektriske luftledninger. Kontakt med eller anvendelse i nærheden af elledninger kan forårsage alvorlig personskade eller elektrisk stød, hvilket kan føre til dødsfald.
	Det Europæiske Fællesskab	Dette produkt er i overensstemmelse med gældende EU-direktiver.
	UKCA	Dette produkt overholder gældende britisk lovgivning.

	WEEE	Affald fra elektriske produkter bør ikke bortskaffes sammen med husholdningsaffald. Bring det til en godkendt genbrugsplads.
	Støj	Garanteret lydniveau. Støjemission til miljøet opfylder EF-direktivet.
V	Volt	Spænding
mm	Millimeter	Længde eller størrelse
cm	Centimeter	Længde eller størrelse
kg	Kg	Vægt
	Jævnstrøm	Spændingstype af eller -karakteristika

## GENERELLE SIKKERHEDSADVARSLER TIL MASKINEN

**⚠ ADVARSEL:** Læs alle sikkerhedsadvarsler, instruktioner, billeder og specifikationer, der følger med denne maskine. Hvis anvisningerne nedenfor ikke følges, kan det føre til elektrisk stød, brand og/eller alvorlig personskade.

## GEM ALLE ADVARSLER OG INSTRUKTIONER TIL FREMTIDIG REFERENCE.

Udtrykket "maskine" i advarslerne henviser til din netdrevne (med ledning) maskine eller batteridrevne (ledningsfri) maskine.

## SIKKERHED PÅ ARBEJDSPLADSEN

- **Sørg for, at arbejdsområdet er rent og godt belyst.** Et rodet eller mørkt område kan føre til ulykker.
- **Maskinen må ikke bruges i eksplosionsfarlig atmosfære, såsom i nærheden af brændbare væsker, gasser eller støv.** Maskinen danner gnister, der kan antænde støv eller dampe.
- **Hold børn og tilskuere på afstand, når en maskine er i brug.** Distractioner kan medføre, at du mister kontrollen.

## ELEKTRISK SIKKERHED

- **Maskinens stik skal passe til stikkontakten. Stikket må på ingen måde ændres. Brug ikke adapterstik med jordforbundne maskiner.** Uændrede stik, der passer til stikkontakterne, nedsætter risikoen for elektrisk stød.
- **Undgå kropskontakt med jordforbundne overflader, såsom rør, radiatorer, komfurer og køleskabe.** Der er øget risiko for elektrisk stød, hvis din krop er jordforbundet.

- **Maskinen må ikke bruges i regn eller våde forhold.** Der kan trænge vand ind i maskinen, som kan øge risikoen for elektrisk stød eller funktionsfejl, og som kan føre til personskader.
- **Ledningen må ikke mishandles. Brug aldrig ledningen til at bære eller trække maskinen, eller til at trække stikket ud. Hold ledningen væk fra varme, olie, skarpe kanter og bevægelige dele.** Beskadigede eller sammenfiltrede ledninger, øger risikoen for elektrisk stød.
- **Hvis maskinen bruges udendørs, skal der bruges en forlængerledning, der er egnet til udendørs brug.** Brug af en egnet ledning til udendørs brug, reducerer risikoen for elektrisk stød.
- **Hvis en maskine skal bruges på et fugtigt sted, skal du bruge en strømforsyning med et fejlstrømsrelæ (GFCI)<sup>®</sup>.** Brug af et fejlstrømsrelæ, reduceres risikoen for elektrisk stød.

DK

## PERSONLIG SIKKERHED

- **Vær forsigtig, hold øje med hvad du laver, og brug din sunde fornuft, når du bruger maskinen.** Maskinen må ikke bruges, hvis du er træt eller er påvirket af narkotika, alkohol eller medicin. Et øjeblik uopmærksomhed under brugen af maskinen kan føre til alvorlige personskader.
- **Brug personligt beskyttelsesudstyr. Brug altid beskyttelsesbriller.** Værnemidler, såsom støvmaske, skridsikre sikkerhedssko, hjelm eller høreværn, der anvendes under passende betingelser, nedsætter risikoen for personskade.
- **Forhindre utilsigtet start. Sørg for, at tænd/sluk-knappen er slukket, inden maskinen sluttes til strømkilden eller batteripakken, samt inden den løftes op eller bæres rundt.** Undgå, at bære maskiner med fingeren på tænd/sluk-knappen eller strømforbundne maskiner, hvor tænd/sluk-knappen er tændt, da dette kan føre til ulykker.
- **Fjern indstillingsværktøj eller skruenøgler, før maskinen startes.** Hvis en skruenøgle eller en nøgle sidder i en drejende del på maskinen, kan den føre til personskader.
- **Undgå at række for langt frem. Sørg altid for at stå ordentligt fast og i god balance.** Dette giver bedre kontrol over maskinen i uventede situationer.
- **Brug passende tøj. Undgå, at bære løstsiddende tøj eller smykker. Hold hår og tøj fra bevægelige dele.** Løse tøj, smykker eller langt hår kan blive fanget i bevægelige dele.
- **Hvis der monteres tilbehør til opsamling af støv eller andet, skal det sikres, at disse monteres og**

bruges korrekt. Brug af støvindsamlingsenheder, kan reducere støv-relaterede risici.

- **Selvom du ofte bruger og har et godt kendskab til maskinen, må du ikke være overmodig eller glemme sikkerhedsprincipperne.** En uagtsom handling kan forårsage alvorlig skade i en brøkdæl af et sekund.

## BRUG OG PLEJE AF MASKINEN

- **Tving ikke maskinen. Brug den rigtige maskine til opgaven.** Den rigtige maskine gør arbejdet bedre og mere sikkert, da det er beregnet til formålet.
- **Maskinen må ikke bruges, hvis tænd/sluk-knappen ikke kan tænde og slukke.** En maskine, hvor tænd/sluk-knappen ikke dur, er farlig og skal repareres.
- **Træk stikket til maskinens strømforsyning ud af stikkontakten og/eller fjern batteripakken hvis dette er muligt, inden du foretager justeringer, skifter tilbehør eller lægger maskinen til opbevaring.** Sådanne forebyggende sikkerhedsforanstaltninger mindsker risikoen for, at maskinen startes ved et uheld.
- **Maskiner, der ikke bruges, skal holdes ude af børns rækkevidde. Lad ikke personer, der ikke er bekendt med maskinen eller disse instruktioner, bruge maskinen.** Maskinen er farlig i hænderne på brugere, der ikke ved, hvordan den skal bruges.
- **Vedligehold maskinen og tilbehøret. Kontrollér, at de bevægelige dele ikke er fejljusterede eller binder eller er i en tilstand, der kan påvirke maskinens drift. Hvis maskinen er beskadiget, skal den repareres, inden den tages i brug.** Mange ulykker skyldes dårligt vedligeholdte maskiner.
- **Hold skæremaskinerne skarpe og rene.** Skæremaskiner med skarpe kanter, der vedligeholdes ordentligt, er mindre tilbøjelige til at binde og er lettere at styre.
- **Maskinen, tilbehør og bits osv. skal bruges i overensstemmelse med disse instruktioner, hvor arbejdsforholdene og arbejdet, der skal udføres, skal tages i betragtning.** Maskinen må ikke bruges til andet end dens tiltænkte formål, da dette kan føre til en farlig situation.
- **Hold håndtag og gribeblader tørre, rene og fri for olie og fedt.** Glatte håndtag og glatte overflader, der holdes i, gør maskinen farlig at bruge i uventede situationer.

## BRUG OG PLEJE AF DENNE BATTERIDREVNE MASKINE

- **Genoplad kun med opladeren er angivet af fabrikanten.** Hvis en oplader, der er egnet til én slags

batteri, bruges med en anden slags batteri, kan det føre til brand.

- **Brug kun maskiner med særligt udpegede batteripakker.** Brug af andre batterier kan skabe risiko for personskade og brand.
- **Når batteripakken ikke er i brug, skal den holdes væk fra andre metalgenstande som papirclips, mønter, nøgler, søm, skruer eller andre små metalgenstande, der kan skabe forbindelse fra en pol til en anden.** Shorting batteripolerne sammen kan forårsage forbrændinger eller brand.
- **Ved forkert anvendelse kan der slippe væske ud af batteriet. Undgå kontakt. Hvis det alligevel skulle ske, skal området skylles med vand. Hvis væsken kommer i øjnene, skal man søge læge.** Væske fra batteriet kan forårsage irritation eller forbrændinger.
- **Brug ikke et batteri eller en maskine, der er beskadiget eller modificeret.** Beskadigede eller modificerede batterier kan opføre sig uforudsigeligt og forårsage brand, eksplosion eller risiko for personskade.
- **Udsæt ikke et batteri eller en maskine for ild eller for høj temperatur.** Udsættelse for ild eller temperaturer over 130 °C kan forårsage eksplosion.
- **Følg alle anvisninger vedrørende opladning, og oplad ikke batteriet eller maskinen uden for temperaturområdet, der står i anvisningerne.** Forkert opladning eller temperaturer uden for det angivne område kan beskadige batteriet og øge risikoen for brand.

## VIGTIGE SIKKERHEDSANVISNINGER

**⚠ ADVARSEL:** Ved brug af græstrimmere skal grundlæggende sikkerhedsprocedurer altid følges for at reducere risikoen for brand, elektrisk stød og personskade, herunder følgende:

### LÆS GRUNDIGT INDEN BRUG

#### GEM TIL SENERE BRUG.

**⚠ FARE:** Stol ikke på værktøjets isolering mod elektrisk stød. For at reducere risikoen for en elektricitetsulykke skal man aldrig betjene apparatet i nærheden af nogen form for ledninger eller kabler (stærkstrøm etc.), som kan være strømførende.

**⚠ FORSIGTIG:** Brug egnet personligt hørevern under brug. Under visse betingelser og afhængigt af varigheden af brug kan støj fra dette produkt bidrage til høretab.

### Undervisning

- Læs anvisningerne grundigt igennem. Bliv fortrolig



med alle knapper og håndtag og den korrekte brug af apparatet.

- Lad aldrig personer, der ikke kender disse anvisninger, eller børn til at bruge apparatet. Lokale forskrifter kan sætte aldersgrænser for en operatør.
- Kantskæreren må ikke bruges, hvis der er børn eller kæledyr i nærheden.
- Husk, at operatøren eller brugeren er ansvarlig, hvis andre personer eller andres ejendom udsættes for ulykke eller fare.

### Forberedelse

- Når du skærer kanter, skal du altid bære beskyttelsesbriller og høreværn, kraftigt fodtøj og lange bukser.
- Undersøg grundigt området, hvor udstyret skal anvendes, og fjern evt. sten, pinde, ledninger, knogler og andre fremmedlegemer.
- Før brug skal knivene, knivenes bolte og skæreenheden ses efter for slid og skader. Nedslidte eller beskadigede klinger og bolte skal skiftes på samme tid, så balancen opretholdes.

### Betjening

- skær kun kanter i dagslys eller i god kunstig belysning.
- Sørg altid for godt fodfæste på skrånende overflader.
- Gå, undgå at løbe.
- Vær meget forsigtig, hvis du bevæger dig baglæns eller trækker kantskæreren mod dig.
- Kontrollér, at kniven er stoppet, før du bevæger dig hen over andre overflader end græs, og når du transporterer kantskæreren til og fra området, hvor der skal skæres kanter.
- Brug aldrig kantskæreren, hvis den er defekt, eller hvis beskyttelsesskærmen mangler eller er forkert monteret.
- Lav ikke om på motorregulatorens indstillinger. Lad ikke motoren køre hurtigere end specificeret.
- Vær forsigtig, når motoren slås til i henhold til instruktionerne, og hold fødderne godt væk fra kniven/knivene.
- Motoren må ikke vippe, når den tændes, medmindre kantrimmeren skal vippe for at starte. I dette tilfælde må den ikke vippe mere end højest nødvendigt, og løft kun delen, der vender væk fra brugeren.
- Start ikke motoren, når en tilskuere står foran kniven/knivene.
- Dine hænder eller fødder må ikke komme i nærheden af eller under roterende dele.

- Motoren slukkes altid og frakobles batteriet:
  - 1) Før blokeringer fjernes
  - 2) Før kontrol, rengøring eller arbejde på kniven/knivene
  - 3) Efter at have ramt et fremmedlegeme: Efterse kniven/knivene for skader, og foretag reparationer før genstart og betjening af kantskæreren.
  - 4) Hvis kantskæreren begynder at vibrere unormalt (kontrollér straks):
- Stop altid motoren, når du lægger kantskæreren fra dig.
- Oplad ikke batteripakken i regnvejr, eller hvor der er vådt.
- Produktet må kun bruges med batteripakkerne og opladerne, der står på listen i fig. A
- Batteripakken skal fjernes fra apparatet, før det kasseres.
- Batteriet skal bortskaffes på en sikker måde
- Smid ikke batteriet i ilden. Cellerne kan eksplodere. Undersøg de lokale forskrifter for eventuelle særlige anvisninger på bortskaffelse.
- Undlad at åbne eller mishandle batteriet. Udsivende elektrolyt er ætsende og kan forårsage skader på øjne eller hud. Det kan være giftigt ved indtagelse.
- Udvis omhu i håndtering af batterier for ikke at kortslutte batteriet med ledende materialer, såsom ringe, armbånd og nøgler. Batteriet eller leder kan blive overophedet og forårsage forbrændinger.
- Batteridrevne værktøjer behøver ikke at være tilsluttet en stikkontakt, derfor er de altid driftsklar. Vær opmærksom på mulige farer, selv når værktøjet ikke arbejder. Vær forsigtig, når du udfører vedligeholdelse eller service.
- Undlad at vaske med en slange; undgå at få vand i motor og elektriske forbindelser.

### Vedligeholdelse og opbevaring

- Hold alle møtrikker, bolte og skruer stramme for at sikre, at apparatet kan betjenes sikkert.
- Udskift slidte eller beskadigede dele.
- Forsøg ikke at reparere maskinen, medmindre du er kvalificeret til det.
- Brug kun reservedele og tilbehør anbefalet af fabrikanten.
- Maskinen frakobles batteriet, før der udføres vedligeholdelses- eller rengøringsarbejder.
- Efterse og vedligehold apparatet regelmæssigt. Få kun apparatet repareret af en autoriseret reparatør.

DK

- Når apparatet ikke er i brug, opbevar maskinen utilgængeligt for børn.
- Ved situationer, der ikke er dækket i denne vejledning: Vær forsigtig og arbejd med omtanke. Kontakt EGO's servicecenter for at få hjælp.
- Gem disse anvisninger. Brug dem ofte, og brug dem til at instruere andre, der skal bruge dette værktøj. Hvis du låner nogen dette værktøj, så lad dem også få anvisningerne med, så de undgår fejlbrug af produktet og mulig personskaade.

#### GEM DISSE ANVISNINGER!

**DK**

**BEMÆRK: I BRUGSANVISNINGEN TIL MOTORDELEN KAN DU FINDE YDERLIGERE SPECIFIKKE SIKKERHEDSREGLER.**

### SPECIFIKATIONER

Knivens længde	20 cm
Skæredybde	Op til 75 mm
Vægt	2,26 kg
Driftstemperatur	-15°C-40°C
Opbevaringstemperatur	-20°C-70°C
Målt lydeffektniveau $L_{WA}$	92,4 dB(A) K=2,07 dB(A) (PH1400E)
	90,7 dB(A) K=1,46 dB(A) (PH1420E)
	90 dB(A) K=1,3 dB(A) (PHX1600)
Lydtryk ved brugerens øre $L_{PA}$	79,8 dB(A) K=3 dB(A) (PH1400E)
	81,2 dB(A) K=3 dB(A) (PH1420E)
	84 dB(A) K=3 dB(A) (PHX1600)
Garanteret lydeffektniveau $L_{WA}$ (målt i henhold til 2000/14/EC)	95 dB(A)

Vibration $a_h$	Hjælpehåndtag	1,2 m/s <sup>2</sup> K=1,5 m/s <sup>2</sup> (PH1400E)
		1,95 m/s <sup>2</sup> K=1,5 m/s <sup>2</sup> (PH1420E)
		1,6 m/s <sup>2</sup> K=1,5 m/s <sup>2</sup> (PHX1600)
	Bageste håndtag	2,2 m/s <sup>2</sup> K=1,5 m/s <sup>2</sup> (PH1400E)
		1,66 m/s <sup>2</sup> K=1,5 m/s <sup>2</sup> (PH1420E)
		1,53 m/s <sup>2</sup> K=1,5 m/s <sup>2</sup> (PHX1600)

- Ovenstående parametre er blevet testet og målt under anvendelse af motordel PH1400E/PH1420E/PHX1600;
- Den samlede værdi af angivne vibrationer er målt i overensstemmelse med en standardiseret prøvningsmetode og kan anvendes til at sammenligne et værktøj med et andet
- Den samlede angivne værdi for vibrationer kan også anvendes ved en foreløbig vurdering af eksponeringen.

**BEMÆRK:** Udsendelsen af vibrationer ved faktisk brug af elværktøjet kan afvige fra den angivne værdi, der hvor værktøjet anvendes. For at beskytte operatøren, bør vedkommende bære handsker og høreværn under de faktiske brugsbetingelser.

### PAKKELISTE

DELENS NAVN	ANTAL
Kantskærertilbehør	1
Unbrakonøgle	1
Multifunktions-skruenøgle	1
Split	2
Brugsanvisning	1

#### Anbefalet kniv

DELNAVN	MODELNUMMER
Kantskærerkniv	AEB0800

## BESKRIVELSE

### LÆR KANTSKÆRERTILBEHØRET AT KENDE (fig. A)

1. Endedæksel
2. Kantskærerens skaft
3. Beskyttelsesskærm
4. Kniv
5. Dybdejusteringsknap
6. Styrehjul
7. Unbrakonøgle
8. Multifunktions-skruenøgle
9. Beslag til dybdejusteringsstyr
10. Opsprøjt-flap
11. Split
12. Låseskrue til skærestyr
13. Skærestyr

## MONTERING

**⚠ ADVARSEL:** Hvis der er dele, der er beskadigede eller mangler, anvendes apparatet ikke, før delene er udskiftet. Brug af dette produkt med beskadigede eller manglende dele kan medføre alvorlig personskade.

**⚠ ADVARSEL:** Forsøg ikke at ændre dette produkt eller fremstille tilbehør, der ikke anbefales til brug med denne græsstrimmer. Enhver sådan ændring eller modifikation er misbrug og kan resultere i en farlig situation, der fører til eventuel alvorlig personskade.

**⚠ ADVARSEL:** For at forebygge utilsigtet start, der kan forårsage alvorlige personskader, skal batteripakken altid tages ud af maskinen, når delene sættes på.

**⚠ ADVARSEL:** Brug altid handsker ved montering eller udskiftning af skærmen. Vær forsigtig med klingens og skærmen, og undgå at skære dig på hånden.

**⚠ ADVARSEL:** NBug aldrig maskinen uden skærmen solidt på plads. Skærmen skal altid være på værktøjet for at beskytte brugeren! Når skærmen sættes på, må du aldrig prøve at fjerne eller tilpasse den. Hvis den skal skiftes, skal det gøres af en kvalificeret servicetekniker!

### MONTERING AF TILBEHØRET PÅ MOTORDELEN

Dette kantskærertilbehør er beregnet til brug med ego 56V lithium-ion motordel PH1400E/PH1420E/PHX1600.

Se afsnittet "MONTERING TILBEHØR PÅ MOTORDEL" i brugsanvisningen til motordel PH1400E/PH1420E/PHX1600.

## BETJENING

**⚠ ADVARSEL:** Selvom du kender dette produkt, så bliv ikke skødesløs. Husk, at skødesløshed i en brøkdal af et sekund kan forvolde betydelig personskade.

**⚠ ADVARSEL:** Bær altid beskyttelsesbriller med sidebeskyttelse. Sammen med høreværn. Uden disse kan man blive ramt af genstande, der kastes ind i øjnene eller forårsager andre alvorlige skader.

DK

## ANVENDELSER

Du kan bruge dette produkt til de formål, der er nævnt nedenfor:

- Kantskæring omkring stier, kantsten, blomsterbede og lignende steder.

**BEMÆRK:** Værktøjet skal kun bruges til det formål, det er beregnet til. Enhver anden anvendelse anses for at være et tilfælde af fejlbrug.

### Før hver anvendelse undersøges for skader / slidte dele

Tjek fjederhoved, kappe og fronthjælpehåndtag, og udskift de dele, der er revnede, skæve, bøjedede eller beskadigede på nogen måde.

**⚠ ADVARSEL:** For at undgå alvorlig personskade fjernes batteripakken fra værktøjet før service, rengøring, udskiftning af påmonteringer, eller før der fjernes noget fra apparatet.

### BRUG AF KANTSKÆRERTILBEHØRET PÅ MOTORDELEN

**⚠ ADVARSEL:** Bær rigtig påklædning for at mindske risikoen for skader, når du betjener dette værktøj. Bær ikke løst tøj eller smykker. Bær øjen- og øre- / høreværn. Bær kraftige, lange bukser, støvler og handsker. Gå ikke i korte bukser, sandaler eller på bare fødder. Brug en ansigtsmaske eller støvmaske, hvor der er støvet.

**⚠ ADVARSEL:** Fjern alle forhindringer og faste genstande fra arbejdsstedet.

Betjeningen gøres sikker og behagelig ved at benytte skulderremmen. Justér skulderremmen, så den giver en behagelig arbejdsstilling.

Hold altid kantskæreren med højre hånd på det bageste håndtag og din venstre hånd på det forreste

hjælpehåndtag. Hold godt fast med begge hænder, når værktøjet betjenes. Kantskæreren bør bæres i en behagelig stilling med bagerste håndtag i hoftehøjde (fig. B).

**⚠ ADVARSEL:** Skulderremmen er også en mekanisme til hurtig frigørelse i farlige situationer. Når der opstår en fare, så tag den straks af skulderen, uanset hvordan remmen er sat på.

**Efter hver brug rengøres kantskæreren.**

Se afsnittet VEDLIGEHOLDELSE for oplysninger om rengøring.

## DK

### JUSTERING AF SKÆREDYBDE

1. Stop motoren, og fjern batteripakken.
2. Løsn dybdejusteringsknappen i den retning, der viser, at hjulet løsnes (pil)(fig. C).
3. Flyt styrehjulet op, ved at følge rillen i beslaget til dybdejusteringstyret, for at øge fugens dybde eller ned for at mindske dybden (fig. D).
4. Justér styrehjulet, så kniven rører ved jorden eller højest går 5 mm ned i jorden (fig. E), og spændes derefter forsvarligt fast.
5. Stående i normal arbejdsstilling kontrolleres skærets dybde igen; ret om nødvendigt til.

### START/STOP AF VÆRKTØJET

Se afsnittet "START / STOP AF MOTORDELEN" i brugsanvisningen til motordel PH1400E/PH1420E/PHX1600.

### TIP TIL BETJENING

- Hold og styr motordelen, således at kniven er lodret. Brug sigtelinjen til at flugte kniven med kanten af bedet (fig. F).
- Betjen ved normal gang. Hvis kniven begynder at køre langsomt, går skæringen for hurtig; sæt farten ned.
- Gå altid fremad, når der skæres, og flyt kantskæreren fremad. Træk ikke kantskæreren mod dig.
- Tving ikke kniven ned i jorden. Kniven kan godt køre let mod fortovskanter, fliser mv. uden at beskadige kantskæreren.
- De bedste resultater opnås, når græsset er tørt. Undgå at skære kanter, når jord eller græs er vådt, da det kan tilstoppe skærmladen og give ujævne kanter. Hvis skærmladen tilstoppes, standses motoren og batteriet fjernes, og derefter fjernes årsagen til tilstopningen.

## VEDLIGEHOLDELSE

**⚠ ADVARSEL:** Før eftersyn, rengøring eller service på enheden standses motoren. Vent til alle bevægelige dele er standset, og fjern batteripakken. Efterkommes disse anvisninger ikke, kan det medføre alvorlig personskade eller materielle skader.

**⚠ ADVARSEL:** Ved service må der kun bruges originale reservedele. Efterse og vedligehold apparatet regelmæssigt. For at sikre sikkerhed og pålidelighed skal alle reparationer udføres af en kvalificeret servicetekniker.

### ALMINDELIG VEDLIGEHOLDELSE

Undgå at bruge opløsningsmidler ved rengøring af plastdele. De fleste plastmaterialer risikerer at blive ødelagt ved brug af forskellige typer af alment tilgængelige opløsningsmidler. Brug rene klude til at fjerne snavs, støv, olie, fedt osv.

### RENGØRING AF APPARATET

- Efter hver brug skal du fjerne snavs, jord- eller græsklumper på kniven og skærmladen med en blød børste. Tør kantskæreren overflade af med en ren klud, fugtet med en mild sæbeopløsning.
- Brug en lille børste eller luftafrækker på en lille støvsugerbørste til at rengøre lufthullerne for forhindringer på det bageste hus.

**BEMÆRK:** Brug ikke stærke rengøringsmidler på plastkabinettet eller -håndtaget. De kan blive beskadiget af visse aromatiske olier, såsom af fyrretræ og citron.

### UDSKIFTNING AF KNIVEN

**⚠ ADVARSEL:** Forsøg ikke at rette eller svejse en bøjet eller knækket kniv-den-kan-springe-den skal udskiftes. Anbefaler kun at udskifte med kantskærerknive fra EGO, se "Anbefalet kniv".

**BEMÆRK:** Udskift kniven, hvis dens længde ikke længere er tilstrækkelig til at få den nødvendige frihøjde over jorden og opnå den ønskede skæredybde.

**⚠ ADVARSEL:** Beskyt altid dine hænder med kraftige handsker, eller pak kniven ind i en klud eller andet materiale, hvis kantskæreren skal vedligeholdes.

### AFTAGNING AF KNIVEN

1. Stop motoren, og fjern batteripakken.
2. Læg kantskæreren på bagsiden, således at kniven vender opad.
3. Brug beskyttelseshandsker. Anvend en snabeltang (medfølger ikke) til at afmontere splitten fra motorens skaft (fig. G).

4. Drej kniven for at flugte hullet i flangen med hullet i gearkassen (fig. G).

Beskrivelse af dele i fig. G, se nedenfor:

G-1	Split
G-2	Indre flange
G-3	Gearkasse

5. Indsæt unbrakonøglen i de flugtende huller som stabilisator. Brug multifunktions-skruenøglen til at løsne møtrikken **MED URET** (fig. H).
6. Fjern møtrikken, den udvendige flange, kniven og den indvendige flange fra motorskafet (fig. I). Kontrollér og udskift dem, hvis de er slidte.

Beskrivelse af dele i fig. I, se nedenfor:

I-1	Motorskaft	I-5	Klinge
I-2	Indre flange	I-6	Ydre flange
I-3	Not i den indvendige flange	I-7	Møtrik
I-4	Forhøjning på den indvendige flange	I-8	Split

#### Påsatning af kniven

- Placér den indvendige flange på motorskafet med forhøjningen udad (fig. I).
- Sæt de nye knive på den indvendige flange, og sørg for, at kniven er sat sikkert på plads (fig. J).
- Sæt den udvendige flange og møtrikken på akslen, og spænd møtrikken **MOD URET** med hånden.
- Følg ovenstående trin 4 og 5 under "Aftagning af kniven" for at stabilisere kniven og spænde møtrikken forsvarligt **MED URET**.
- Indsæt en ny split (medfølger) ind i hullet i motorens skaft. Bøj splittens to ben væk fra hinanden med en nåletang (medfølger ikke) (fig. G).

#### UDSKIFTNING AF STYREHJULET

- Stop motoren, og fjern batteripakken.
- Læg kantskæreren på bagsiden, således at styrehjulet vender opad.
- Løsn dybdejusteringsknappen i den retning, der viser, at hjulet løsnes (pil).
- Fjern federskiven, spændeskive 1, styrehjul, bøsning og spændeskive 2 fra boltestammen (fig. K). Kontrollér og udskift dem, hvis de er slidte.
- Stik først boltestammen gennem beslaget til dybdejusteringsstyret, og sæt derefter spændeskive 2, bøsning og nyt hjul på, derefter sættes spændeskive 1, fjederskiven og dybdejusteringsknappen på boltestammen i den

rækkefølge, der er vist i fig. K.

Beskrivelse af dele i fig. K, se nedenfor:

K-1	Dybdejusteringsknop	K-5	Bøsning
K-2	Fjederskive	K-6	Spændeskive 2
K-3	Spændeskive 1	K-7	Boltestamme
K-4	Styrehjul	K-8	Beslag til dybdejust-ering-sstyr

**BEMÆRK:** Styrehjulet skal monteres med de flade ribber indad (fig. L).

Beskrivelse af dele i fig. L, se nedenfor:

L-1	skruer	L-3	Opsprøjt-flap
L-2	Flad ribbe	L-4	Beslag

6. Lås dybdejusteringsknappen.

#### UDSKIFTNING AF OPSPRØJT-FLAP (fig. L)

- Stop motoren, og fjern batteripakken.
- Brug unbrakonøglen til at løsne de to skruer.
- Fjern skrueene, som holder beslaget og den slidte opsprøjt-flap.
- Udskift med en ny opsprøjt-flap, og fastgør den med beslaget og de to skruer.

#### KONTROL OG UDSKIFTNING AF SLITAGEBESKYTTELSESSKÆRMEN/SKÆRESTYRET (fig. M)

Kontrollér slitagebeskyttelsesskærmen og skærestyret for skader, før elværktøjet startes. Slitagebeskyttelsesskærmen skal udskiftes, så snart gearkassen bliver synligt.

**BEMÆRK:** Gearkassen kan blive alvorligt beskadiget, hvis du ikke udskifter slitagebeskyttelsesskærmen, så snart gearkassen er synligt.

- Stop motoren, og fjern batteripakken.
- Brug beskyttelseshandsker. Drej kniven, indtil du kan se de to skruer.
- Brug unbrakonøglen til at løsne de to skruer, og fjern dem.

**BEMÆRK:** Hvis du kun skal udskifte skærestyret, er det nok at løsne og fjerne skrue 1.

- Udskift den skæve eller slidte slitagebeskyttelsesskærm/skærestyret.
- Sæt den nye slitagebeskyttelsesskærm og skærestyret fast på gearkassen, og fastgør dem med de to skruer.

DK

Beskrivelse af dele i fig. M, se nedenfor:

M-1	Skrue 1	M-4	Slitagebeskyttelsesskærm
M-2	Skærestyr	M-5	Monteringshuller
M-3	Skrue 2	M-6	Gearkasse

## AFTAGNING AF SKÆRESTYRET

Hvis du har erfaring med denne type kantskærer, eller hvis du synes, at skærestyret er i vejen, når du skærer kanter, kan du fjerne skærestyret.

1. Løsn og fjern skrue 1.
2. Tag styrepladen af
3. Isæt og stram skrue 1.

## TRANSMISSIONSGEARENES SMØRING

Transmissionsgearene i gearkassen skal smøres regelmæssigt med gearfedt. Kontrollér oliestanden i gearkassen for hver ca. 50 timers drift ved at fjerne tætningskrue på siden af gearkassen.

Hvis der ikke er fedt på siderne af gearet, skal du følge trinnene nedenfor for at fylde 3/4 op med fedt.

Fyld ikke transmissionsgearene helt op.

1. Stil kantskæreren på højkant, så tætningskruen vender opad (fig. N).
2. Brug multifunktions-skruenøglen til at løsne og fjerne låseskruen. Brug en fedtsprøjte (medfølger ikke) til at pumpe fedt ind i skruehullet; fyld op til højst 3/4 af kapaciteten.
3. Når der er pumpet fedt ind, spændes tætningskruen.

## OPBEVARING AF APPARATET

- Fjern batteripakken fra kantskæreren.
- Rengør værktøjet grundigt, før det lægges væk.
- Hvis kantskæreren tilbehør er afmonteret fra motordelen og opbevares særskilt, sættes endedækslet på tilbehørets skaft for at undgå at snavs trænger ind i koblingsstykket.
- Opbevar apparatet på et tørt og godt ventileret sted, der er låst og utilgængeligt for børn. Opbevar ikke apparatet på eller ved siden af gødning, benzin eller andre kemikalier.

## Beskyttelse af miljøet



Elektrisk udstyr, batterioplader og batterier må ikke smides ud sammen med almindelig husholdningsaffald! Tag dette produkt til en autoriseret genbrugsplads, og sørg for at det sendes til genbrug. Elektriske maskiner skal bortskaffes på en genbrugsplads.

DK

## FEJLFINDING

PROBLEM	ÅRSAG	LØSNING
Motoren starter ikke.	<ul style="list-style-type: none"> <li>■ Batteripakken er ikke sat i motordelen.</li> <li>■ Ingen elektrisk kontakt mellem motordel og batteripakke.</li> <li>■ Batteripakken er afladet.</li> <li>■ Knap og startknappen er ikke blevet trykket ned samtidigt.</li> </ul>	<ul style="list-style-type: none"> <li>■ Sæt batteripakken i motordelen.</li> <li>■ Tag batteripakken ud, kontrollér kontakterne, og sæt batteripakken i igen, indtil den klikker på plads.</li> <li>■ Oplad batteriet med de opladere fra EGO, der er anført i denne vejledning.</li> <li>■ Tryk ned på låseknappen, og hold den i denne stilling. Tryk på startknappen for at tænde motordelen.</li> </ul>
Motordel stopper under drift.	<ul style="list-style-type: none"> <li>■ Motoren er overbelastet.</li> <li>■ Batteripakken eller motordelen er for varm.</li> <li>■ Batteripakken er taget af værktøjet.</li> <li>■ Batteripakken er afladet.</li> </ul>	<ul style="list-style-type: none"> <li>■ Motoren vil begynde at køre igen, når belastningen mindskes. Formindsk belastningen, når der arbejdes igen.</li> <li>■ Lad batteripakken eller motordelen køle ned, indtil temperaturen kommer under 67°C.</li> <li>■ Sæt batteripakken på plads igen.</li> <li>■ Oplad batteriet med de opladere fra EGO, der er anført i denne vejledning.</li> </ul>
Ujævn kant	<ul style="list-style-type: none"> <li>■ Det er for vådt i det område, hvor der skæres græs eller jord.</li> <li>■ Beskyttelseskærmen er tilstoppet.</li> </ul>	<ul style="list-style-type: none"> <li>■ Undgå at skære kanter i våd jord eller fugtigt græs.</li> <li>■ Stop motoren og fjern batteripakken, og fjern tilstopningen fra beskyttelseskærmen.</li> </ul>

DK

## GARANTI

### EGO's GARANTIPOLITIK

Besøg venligst hjemmesiden [egopowerplus.eu](http://egopowerplus.eu) for fuldstændige vilkår og betingelser for EGO's garantipolitik.

## LÄS IGENOM ALLA INSTRUKTIONER!



### LÄS IGENOM BRUKSANVISNINGEN

**⚠ VARNING!** Alla reparationer bör utföras av en kvalificerad servicetekniker för att upprätthålla produktens säkerhet och driftssäkerhet.

## SÄKERHETSSYMBOLER

Syftet med säkerhetssymboler är att fästa din uppmärksamhet på eventuella risker. Säkerhetssymbolerna och deras betydelser bör uppmärksammas nog och förstås. Själva varningssymboler kan dock inte förebygga någon fara. De instruktioner och varningar som de hänvisar till kan aldrig ersätta lämpliga olycksförebyggande åtgärder.

**⚠ VARNING!** Se till att läsa igenom och förstå alla säkerhetsinstruktioner i bruksanvisningen, inklusive alla varningssymboler såsom **“RISK”**, **“VARNING”** och **“VAR FÖRSIKTIG”**, innan produkten tas i bruk. Underlåtenhet att följa alla nedan angivna instruktioner kan leda till elstöt, brand och/eller svår personskada

## YMBOLERNAS BETYDELSE

**⚠ SÄKERHETSRELATERAD VARNINGSSYMBOL:** Betecknar **RISK**, **VARNING** eller **VAR FÖRSIKTIG**. Kan förekomma i samband med andra symboler eller piktogram.



**⚠ VARNING!** Arbete med eldrivna verktyg kan medföra att främmande föremål slungas upp i ögonen vilket kan orsaka svåra ögonskador. Ta alltid på dig skyddsglasögon eller skyddsglasögon med sidoskydd och vid behov ett komplett ansiktsskydd innan du börjar arbeta med eldrivna verktyg. Vi rekommenderar att använda en Wide Vision Safety Mask ovanpå glasögon eller vanliga skyddsglasögon med sidoskydd.

## SÄKERHETSINSTRUKTIONER

På denna sida anges säkerhetssymboler som kan förekomma på produkten. Alla instruktioner som anges på enheten bör granskas, förstås och följas innan du försöker montera och använda den.

	Säkerhetsvarning	Indikerar en potentiell risk för personskador.
	Läs igenom bruksanvisningen	Användaren bör läsa igenom och förstå bruksanvisningen innan produkten tas i bruk för att minska risken för personskada.
	Använd öronoch ögonskydd	Ha alltid på dig skyddsglasögon eller skyddsglasögon med sidoskydd och ett komplett ansiktsskydd under arbete med denna produkt.
	Knivbladslängd för kantskäraren	Knivbladslängd för kantskäraren
	Håll åskådare på avstånd	Avståndet mellan maskinen och åskådare måste vara minst 15 meter.
	Skärbladens riktning på kantskäraren	Indikerar riktningen för skärbladets rotation.
	Ivägslungade objekt	Undersök grundligt ytan där utrustningen ska användas och ta bort alla stenar, pinnar, trådar, ben och andra främmande föremål.
	Använd skyddsskor	Använd halkfria skyddsskor vid användning av denna utrustning.
	Roterande skärblad	Placera inte händer eller fötter i närheten eller under de roterande delarna.
	Håll ett lämpligt avstånd från elledningar	För att undvika elektriska stötar, använd inte inom 15 från elektriska luftledningar. Kontakt med eller användning i närheten av elektriska ledningar kan orsaka allvariga personskador eller dödsfall.
	CE	Denna produkt är i enlighet med gällande EC-direktiv.
	UKCA	Denna produkt uppfyller tillämplig lagstiftning i Storbritannien.



	WEEE	Förbrukade elektriska produkter får inte kastas i hushållsoporna. Lämna in dem till en auktoriserad återvinningsstation.
	Brus	Garanterad ljudeffektiv. Bulleremissioner för omgivningen enligt EU-direktivet.
V	Volt	Spänning
mm	Millimeter	Längd eller storlek
cm	Centimeter	Längd eller storlek
kg	Kilogram	Vikt
	Likström	Strömmens typ eller egenskap

### ALLMÄNNA VARNINGAR FÖR MASKINSÄKERHET

**⚠ VARNING:** Läs igenom alla säkerhetsvarningar, instruktioner, illustrationer och specifikationer som medföljer denna maskin. Underlåtenhet att följa alla instruktioner som listas nedan kan resultera i elektriska stötar, brand och/eller allvarliga personskador.

### SPARA ALLA VARNINGAR OCH INSTRUKTIONER FÖR FRAMTIDA REFERENS.

Termen "maskin" i varningarna syftar på din nätdrivna (sladdanslutna) maskin eller batteridrivna (sladdlösa) maskin.

### ARBETSPLATSSÄKERHET

- **Håll arbetsområdet rent och ordentligt upplyst.** Belamrade eller mörka områden inbjuder till olyckor.
- **Använd inte maskiner i explosiva miljöer som t.ex.** i närvaron av brandfarliga vätskor, gaser eller damm. Maskiner skapar gnistor som kan antända damm eller ångor.
- **Håll barn och åskådare borta medan maskinen arbetar.** Störningarna kan göra att du tappar kontrollen.

### ELEKTRISK SÄKERHET

- **Maskinens stickkontakt måste matcha uttaget.** Modifiera aldrig kontakten på något sätt. Använd inte någon adapterkontakt med motordrivna verktyg som är jordade. Stickkontakter som inte modifierats och passar i eluttaget minskar risken för elektriska stötar.
- **Undvik kroppskontakt med jordanslutna eller jordade ytor såsom rör, värmeelement, spisar och kylskåp.** Det finns en ökad risk för elektrisk stöt om din kropp är jordansluten eller jordad.

- **Använd inte maskinen vid regn eller under våta förhållanden.** Vatten som kommer in i maskinen kan öka risken för elektriska stötar eller funktionsfel som kan leda till personskada.
- **Vanvärda inte kabeln. Använd aldrig kabeln för att bära, släpa eller för att koppla ur maskinen.** Håll kabeln borta från värme, olja, skarpa kanter och rörliga delar. Skadade eller tilltrasslade sladdar ökar risken för elektrisk stöt.
- **Vid användning av en maskin utomhus, använd en förlängningskabel som är avsedd för utomhusbruk.** Användning av en sladd som passar för utomhusanvändning minskar risken för elektrisk stöt.
- **Om arbete med ett elverktyg i en fuktig lokal är oundvikligt, använd ett uttag som är skyddat med jordfelsbrytare.** Användning av en jordfelsbrytare minskar risken för elektriska stötar.

SE

### PERSONLIG SÄKERHET

- **Var uppmärksam och observant samt använd sunt förnuft när du använder en maskin. Använd inte en maskin om du är trött eller under påverkan av droger, alkohol eller medicin.** Ett ögonblicks ouppmärksamhet vid användning av maskiner kan leda till allvarliga personskador.
- **Använd personlig skyddsutrustning. Använd alltid skyddsglasögon.** Minska risken för personskador genom att använda skyddsutrustning som t.ex. ansiktsmask, halkfria skyddsskor, hjälm och hörselskydd.
- **Förebygg oavsiktlig start. Se till att strömbrytaren är i frånläge innan du ansluter till strömkällan och/eller batteripaketet, plockar upp eller bär verktyget.** Att bära maskiner med fingret på strömbrytaren eller strömsatta maskiner som har strömbrytaren påslagen inbjuder till olyckor.
- **Ta bort inställningsnycklar eller skiftnycklar innan maskinen slås på.** En skiftnyckel eller en nyckel som sitter kvar på en roterande del av maskinen kan resultera i personskada.
- **Sträck dig inte för långt.** Ha ordentligt fotfäste och balans hela tiden. Detta möjliggör bättre kontroll av maskinen i oväntade situationer.
- **Klä dig på lämpligt sätt. Bär inte löst sittande kläder eller smycken.** Håll hår och klädsel på avstånd från de rörliga delarna. Löst sittande kläder, smycken och långt hår kan fastna i rörliga delar.
- **Om enheter har anslutning för dammuppsamlare och anslutningsmöjligheter, se till att de är anslutna och används på korrekt sätt.** Användning av dammuppsamlare kan minska dammrelaterade faror.

- **Låt inte vana efter regelbunden användning av apparaten göra att du blir självsäker och ignorerar verktygets säkerhetsprinciper.** En vårdslös handling kan orsaka allvarliga personskador inom bråkdelen av en sekund.

## MASKINANVÄNDNING OCH SKÖTSEL

- **Tvinga inte maskinen. Använd rätt maskin för ditt arbete.** En korrekt maskin utför jobbet bättre och säkrare med den hastighet som den designats för.
- **Använd inte maskinen om strömbrytaren inte kan slås på eller stängas av.** Alla maskiner som inte kan kontrolleras med strömbrytaren är farliga och måste repareras.
- **Koppla ur kontakten från strömkällan och/eller ta bort batteripaketet, om det är löstagbart, från maskinen innan du utför justeringar, byter tillbehör eller förvarar maskiner.** Dessa förebyggande säkerhetsåtgärder minskar risken för att elverktyget startas oavsiktligt.
- **Förvara maskiner som går på tomgång utom räckhåll för barn och låt inte personer som är ovana med apparaten eller dessa instruktioner använda maskinen.** Maskiner är farliga i händerna på utbildade användare.
- **Underhålla maskiner och tillbehör. Kontrollera efter felinställning eller kärvande rörliga delar, brott på delar och alla andra tillstånd som kan påverka funktionen hos maskinen.** Om maskinen är skadad ska den repareras före användning. Många olyckor beror på dåligt underhållna maskiner.
- **Håll kapmaskiner vassa och rena.** Ordentligt underhållna kapmaskiner med vassa sågkanter är mindre sannolika att fastna och är lättare att kontrollera.
- **Använd maskinen, tillbehör, verktygsbits osv. i enlighet med dessa instruktioner och ta hänsyn till arbetsförhållanden och det arbete som ska utföras.** Om maskinen används för andra arbeten än det är avsett för kan det resultera i farliga situationer.
- **Håll handtagen och greppytorna torra, rena och fria från olja och fett.** Hala handtag och greppytor förhindrar säker hantering och kontroll av maskinen vid oväntade situationer.

## ANVÄNDNING OCH SKÖTSEL AV BATTERIDRIVEN MASKIN

- **Ladda endast med den laddare som rekommenderas av tillverkaren.** En laddare som är lämplig för en typ av batteripaket kan skapa en risk för brand när den används med ett annat batteripaket.

- **Använd endast maskiner med specifikt designade batteripaket.** Användning av andra batteripaket kan medföra risk för personskador och eld.
- **När batteripaketet inte används, håll det borta från metallobjekt som t.ex. pappersgem, mynt, nycklar, spikar, skruvar och andra små metallobjekt som kan bilda en anslutning från en batterikontakt till den andra.** Kortslutning av batteriets terminaler kan orsaka brännskador eller en brand.
- **Under olämpliga förhållanden kan vätska spruta ut från batteriet. Undvik kontakt.** Vid oavsiktlig kontakt, spola med vatten. Om vätskan kommer i kontakt med ögonen, sök också läkarhjälp. Vätska som sprutar ur batteriet kan orsaka sveda och brännskador.
- **Använd inte ett batteripaket eller maskin som skadats eller modifierats.** Skadade eller modifierade batterier kan leda till oförutsägbart uppträdande som leder till brand, explosion eller risk för personskador.
- **Utsätt inte batteripaketet eller maskinen för eld eller extrema temperaturer.** Exponering av eld eller temperaturer över 130 °C kan orsaka explosion.
- **Följ alla laddningsinstruktioner och ladda inte batteripaketet eller maskinen utanför det temperaturområde som anges i instruktionerna.** Felaktig laddning eller vid temperaturer utanför angivet temperaturområde kan skada batteriet och ökar risken för brand.

## VIKTIGA SÄKERHETSINSTRUKTIONER

**⚠ VARNING!** Grundläggande försiktighetsåtgärder bör alltid vidtas vid användning av grästrimmers för att minska risken för brand, elstöt och personskada, bl a de nedan angivna:

## LÄS NOGA IGENOM FÖRE ANVÄNDNING

### SPARA FÖR FRAMTIDA BEHOV

**⚠ FARA!** Lita inte enbart på verktygets isolering för skydd mot elstöt. Maskinen får aldrig användas nära ledningar eller kablar (el osv) som kan vara spänningsatta.

**⚠ FÖRSIKTIGHET!** Ha på dig lämpligt hörselskydd under arbetet. I vissa förhållanden och vid längre användning kan buller från produkten bidra till hörselnedsättning.

### Utbildning

- Läs noga igenom instruktionerna. Lär känna styrenheterna och korrekt användning av maskinen.
- Låt inga personer som inte är förtrogna med dessa instruktioner använda maskinen. Lokala föreskrifter kan begränsa användarens ålder.

- Använd aldrig kantskäraren när personer, särskilt barn eller husdjur finns i närheten.
- Glöm inte att operatören eller användaren ansvarar för olyckor och risker som andra personer eller deras egendom utsätts för.

### Förberedelse

- Vid kantskärning, använd alltid ögon- och hörselskydd, kraftiga skor och långbyxor.
- Undersök grundligt ytan där utrustningen ska användas och ta bort alla stenar, pinnar, trådar, ben och andra främmande föremål.
- Före användning, kontrollera alltid visuellt så att skärbladen och dess bultar samt skärregulatortaget inte är slitna eller skadade. Byt ut slitna eller skadade skärblad och bultar i set för att bibehålla balansen.

### Användning

- Arbeta endast i dagsljus eller i bra artificiellt ljus.
- Se alltid till att ha bra fotfäste när marken lutar.
- Gå, spring aldrig.
- Var extra försiktig när du backar eller drar kantskäraren mot dig.
- Se till att skärbladet har stoppats innan du går över andra ytor än gräs och vid transport av kantskäraren till och från arbetsområdet.
- Använd aldrig kantskäraren med defekta, saknade eller felaktigt monterade skydd.
- Ändra inte motorns regulatorinställningar och övervarva inte motorn.
- Slå på motorswitchen enligt instruktionerna och håll fötterna borta från skärbladen.
- Luta inte apparaten när motorn slås på, förutom då kantskäraren måste lutas för att startas. I detta fall, luta den inte mer än absolut nödvändigt och lyft endast upp den del som är riktad bort från användaren.
- Starta inte motorn när en åskådare står framför skärbladen.
- Placera inte händer eller fötter i närheten eller under de roterande delarna.
- Stäng alltid av motorn och koppla från batteriet:
  - 1) Innan du tar bort blockeringar.
  - 2) Före kontroll, rengöring eller arbete utförs på skärbladen.
  - 3) Efter att du träffat ett främmande föremål. Kontrollera skärbladen efter skador och utför reparationer innan du använder kantskäraren igen.
  - 4) Om kantskäraren börjar vibrera onormalt (kontrollera omedelbart).
- Stoppa alltid motorn när kantskäraren lämnas.

- Batteripacket får inte laddas i regn eller väta.
- Använd endast med de batteripack och laddare som listas i bild A.
- Ta ut batteripacket ur maskinen innan den kasseras.
- Kassera det uttjänta batteriet på ett säkert sätt.
- Batteriet får inte kastas i eld. Cellerna kan explodera. Rådfråga lokala myndigheter om eventuella särskilda regler om hantering.
- Försök aldrig att öppna eller bryta sönder batteriet. Utläckt elektrolyt är frätande och kan skada ögonen eller huden. Den kan vara giftig vid förtäring.
- Hantera batterier försiktigt för att undvika kortslutning pga strömförande material såsom ringar, armband och nycklar. Batteriet eller det strömförande föremålet kan bli hett och orsaka brännsår.
- Batteridrivna verktyg behöver inte anslutas till ett uttag; därför är de alltid användningsklara. Var medveten om eventuella risker medan det batteridrivna verktyget inte används. Var försiktig vid underhåll eller service.
- Spola inte med vatten; undvik intrång av vatten i motorn och elkopplingarna.

### Underhåll och förvaring

- Se till att alla muttrar, bultar och skruvar är ordentligt åtdragna för att säkerställa att utrustningen är i ett säkert skick.
- Byt ut slitna eller skadade delar.
- Försök inte att reparera maskinen såvida du inte är kvalificerad för det.
- Använd endast utbytesdelar och tillbehör som rekommenderas av tillverkaren.
- Koppla bort batteriet från maskinen innan du utför underhåll eller rengöring.
- Inspektera och underhåll maskinen regelbundet. Överlåt reparation av maskinen till en auktoriserad reparatör.
- Förvara maskinen utom räckhåll för barn när den inte används.
- Om situationer uppstår som inte tas upp i denna manual, var försiktig och använd sunt förnuft. Kontakta EGO Service Center för hjälp.
- Spara dessa instruktioner. Hänvisa till dem regelbundet och använd dem även för att instruera andra hur man använder detta verktyg. Om du lånar ut detta verktyg till någon, se även till att låna ut dessa instruktioner för att förhindra att produkten används felaktigt eller orsakar eventuella personskador.

### SPARA DESSA INSTRUKTIONER

**OBS! SE MOTORENHETENS BRUKSANVISNING FÖR KOMPLETTERANDE SÄKERHETSREGLER.**

SE

## SPECIFIKATIONER

Skärbladens längd	20 cm	
Kantskärmens djup	Upp till 75 mm	
Vikt	2,26 kg	
Driftstemperatur	-15°C - 40°C	
Förvaringstemperatur	-20°C - 70°C	
Uppmätt ljudeffektnivå $L_{WA}$	92,4 dB(A) K=2,07 dB(A) (PH1400E)	
	90,7 dB(A) K=1,46 dB(A) (PH1420E)	
	90 dB(A) K=1,3 dB(A) (PHX1600)	
Ljudtrycksnivå vid operatörens öra $L_{PA}$	79,8 dB(A) K=3 dB(A) (PH1400E)	
	81,2 dB(A) K=3 dB(A) (PH1420E)	
	84 dB(A) K=3 dB(A) (PHX1600)	
Garanterad ljudeffektnivå $L_{WA}$ (uppmätt i enlighet med 2000/14/EC)	95 dB(A)	
Vibration $a_{11}$	Framre handtag	1,2 m/s <sup>2</sup> K=1,5 m/s <sup>2</sup> (PH1400E)
		1,95 m/s <sup>2</sup> K=1,5 m/s <sup>2</sup> (PH1420E)
		1,6 m/s <sup>2</sup> K=1,5 m/s <sup>2</sup> (PHX1600)
	Bakre handtag	2,2 m/s <sup>2</sup> K=1,5 m/s <sup>2</sup> (PH1400E)
		1,66 m/s <sup>2</sup> K=1,5 m/s <sup>2</sup> (PH1420E)
		1,53 m/s <sup>2</sup> K=1,5 m/s <sup>2</sup> (PHX1600)

SE

- Ovanstående parametrar har testats och utmätts med motorenhet PH1400E/PH1420E/PHX1600;
- Det angivna totalvärdet för vibration är uppmätt enligt standardprovningmetoden och kan användas för att jämföra olika verktyg;
- Det angivna totalvärdet för vibration kan även användas vid preliminär utvärdering av exponering.

**OBS!** Den verkliga vibrationen under arbete med det eldrivna verktyget kan avvika från det angivna värdet. Användaren bör ha på sig lämpliga handskar och hörselskydd för de aktuella arbetsförhållandena för att skydda sig.

## LEVERANSLISTA

ARTIKELNAMN	ANTAL
Kantskärare-tillbehör	1
Insexnyckel	1
Multifunktionell skiftnyckel	1
Saxsprint	2
Bruksanvisning	1

## Rekommenderat skärblad

ARTIKELNAMN	MODELLNUMMER
Skärblad för kantskärare	AEB0800

## BESKRIVNING

### LÄR KÄNNA DITT KANTSKÄRARE-TILLBEHÖR (bild A)

1. Ändlock
2. Kantskärarens axel
3. Skärbladsskydd
4. Skärblad
5. Vred för djupjustering
6. Styrhjul
7. Insexnyckel
8. Multifunktionell skiftnyckel
9. Styrskena för djupjustering
10. Skräpklaff
11. Saxsprint
12. Skruv för att låsa styrplattan på plats
13. Styrplatta

## MONTERING

**⚠ VARNING!** Om någon av delarna skadats eller saknas, använd inte denna produkt förrän delarna har bytts ut. Användning av denna produkt med skadade eller saknade delar kan resultera i allvarliga personskador.

**⚠ VARNING!** Försök inte att modifiera denna produkt eller skapa tillbehör som inte rekommenderas för användning med denna trädtrimmer. Alla sådana ändringar eller modifikationer är felaktig användning och resulterar i farliga förhållanden som kan leda till allvarliga personskador.

**⚠ VARNING!** För att förhindra oavsiktlig start som kan orsaka allvarliga personskador skall alltid batteripaketet tas bort från verktyget innan delar monteras.

**⚠ VARNING!** Använd alltid handskar vid montering eller utbyte av skyddet. Var försiktig med röjsågsbladet på skyddet och skydda din hand.

**⚠ VARNING!** Använd aldrig maskinen utan att skyddet är korrekt på plats. Skyddet måste alltid vara monterat på verktyget för att skydda användaren! När skyddet är fastsatt, försök aldrig att ta bort eller justera det, om utbyte krävs måste det utföras av en kvalificerad servicetekniker!

### ANSLUTA KANTSKÄRARE-TILLBEHÖRET TILL MOTORENHETEN

Detta kantskärare-tillbehör är utvecklat för användning med EGO motorenhet PH1400E/PH1420E/PHX1600 med 56 volts litium-jon-batteri.

Se avsnittet "MONTERA ETT TILLBEHÖR TILL MOTORENHETEN" i bruksanvisningen för motorenhet PH1400E/PH1420E/PHX1600.

## ANVÄNDNING

**⚠ VARNING!** Var aldrig vårdslös, även om du är väl förtrogen med verktyget. Glöm inte att en bråkdel av en sekund av ouppmärksamhet är tillräcklig för att orsaka svåra personskador

**⚠ VARNING!** Ha alltid på dig skyddsglasögon med sidoskydd och även hörselskydd. Underlåtenhet att följa denna regel kan leda till ögonskador pga utslungade föremål och andra svåra personskador.

### TILLÄMPNINGAR

Du kan använda denna produkt för de tillämpningar som listas nedan:

- Kantskäring runt gångbanor, trottoarkanter, rabatter och liknande områden.

**OBS!** Verktyget får endast användas för sitt avsedda ändamål. All annan användning bedöms som felaktig användning.

### Kontrollera maskinen för skada/nötta detaljer före varje användning

Kontrollera trimmerhuvudet, skyddet och det främre hjälphandtaget och byt ut spruckna, skeva, böjda eller annars skadade detaljer.

**⚠ VARNING!** För att förhindra allvarliga personskador, ta ut batteripaketet före service, rengöring, ändring av tillbehör eller borttagning av material från enheten.

### ANVÄNDA KANTSKÄRARE-TILLBEHÖRET MED MOTORENHETEN

**⚠ VARNING!** Använd korrekta kläder för att minska risken för personskador vid användning av detta verktyg. Använd inte löst sittande kläder eller smycken. Använd ögon- och öron-/hörselskydd. Använd rejäla långbyxor, kängor och handskar. Använd inte kortbyxor, sandaler eller gå barfota. Använd en ansikts- eller dammask på dammiga platser.

**⚠ VARNING!** Ta bort alla hinder och fasta föremål från arbetsområdet.

För en säkrare och bättre användning, använd axelremmen över din axel. Justera axelremmen för ett bekvämt arbetsläge.

Håll kantskäraren med höger hand på det bakre handtaget och den vänstra handen på det främre handtaget. Håll verktyget stadigt med båda händerna vid användning. Kantskäraren bör hållas i ett bekvämt läge med det bakre handtaget kring höfthöjd (bild B).

**⚠ VARNING!** Axelremmen är även en snabb frigöringsmekanisk vid farliga situationer. När ett nödläge inträffar, ta omedelbart av den från axeln oavsett vilket läge som remmen är i.

### Rengör kantskäraren efter varje användning.

Se avsnittet UNDERHÅLL för rengöringsinstruktioner.

**JUSTERA SKÄRDJUP** 1. Stoppa motorn och ta bort batteripaketet.

2. Lossa på vreden för djupjustering i den riktning som markeras på pilen för upplåsning (bild C).
3. Flytta styrhjulet, längs med styrskenan för djupjustering, uppåt för att öka skärdjupet eller neråt för att minska djupet (bild D).
4. Justera styrhjulet så att skärbladet precis nuddar marken eller bryter jordytan med högst 5 mm (bild E) och dra sedan åt det ordentligt.

SE

- Stå i normalt arbetsläge och kontrollera skärdjupet igen, korrigera om nödvändigt.

## STARTA/STOPPA VERKTYGET

Se avsnittet **“STARTA/STOPPA MOTORENHETEN”** i bruksanvisningen för motorenhet PH1400E/PH1420E/PHX1600.

## TIPS VID ANVÄNDNING

- Håll och guida motorenheten så att skärbladet är vertikalt. Använd siktlinjen för att rikta in skärbladet med kanten (bild F).
- Använd inte apparaten i ett högre tempo än normal gånghastighet. Om skärbladet börjar fastna skär du för snabbt, gå långsammare.
- Gå alltid framåt vid skärning och för kantskäraren framåt. Dra inte kantskäraren mot dig.
- Forcera inte skärbladet mot marken. En lätt kontakt av skärbladet mot trottoar, trottoarkant osv. är acceptabelt och kommer inte att skada kantskäraren.
- Bästa resultat erhålls när gräset är torrt. Undvik att kantskära i områden med blöt jord eller vått gräs, annars kan skärbladsskyddet stockas igen och resultera i en ojämn kantskärning. Om skärbladsskyddet stockas igen, stoppa motorn, ta ut batteripacket och ta sedan bort skräpet från skärbladsskyddet.

## UNDERHÅLL

**⚠ VARNING!** Före inspektion, rengöring eller service av enheten, stoppa motorn, vänta tills alla rörliga delar har stoppats och ta sedan ut batteripacket. Underlåtenhet att följa dessa instruktioner kan resultera i allvarliga personskador eller skada på egendom.

**⚠ VARNING!** Använd endast identiska reservdelar vid service. Användning av andra detaljer kan leda till risker eller skada på produkten. Granska maskinen och utför underhåll regelbundet. Alla reparationer bör utföras av en kvalificerad servicetekniker för att upprätthålla säkerhet och driftssäkerhet.

## ALLMÄNT UNDERHÅLL

Använd inte lösningsmedel när du rengör plastdelarna. De flesta plaster är känsliga för skador från olika typer av kommersiella lösningsmedel och kan skadas av dess användning. Använd rena trasor för att ta bort smuts, damm, olja, fett osv.

## RENGÖRING AV MASKINEN

- Efter varje användning, ta bort skräp, stockad jord eller gräs från skärbladet och skyddet med en mjuk borste. Torka av kantskärarens yta med en ren trasa fuktad med en mild tvållösning.

- Rengör luftöppningarna i skaftet med hjälp av en liten borste eller utblås av en liten handdammsugare.

**OBS!** Använd inte starka rengöringsmedel på plasthöljet eller handtaget. Det kan orsaka skador av vissa aromatiska oljor som t.ex. tall och citron.

## BYTA UT SKÄRBLADET

**⚠ VARNING!** Ett trasigt skärblad måste bytas ut. Försök inte att råta ut eller svetsa ett böjt eller sprucket skärblad eftersom det kan gå sönder. Rekommenderade EGO-skärblad för kantskäraren hittas i avsnittet **“Rekommenderade skärblad”**.

**OBS!** Byt ut skärbladet om dess längd inte längre är tillräcklig för att bibehålla nödvändig markfrigång och önskat skärdjup.

**⚠ VARNING!** Skydda alltid händer genom att använda kraftiga handskar eller linda in skärbladet med trasor eller annat material när underhåll av kantskärarens skärblad utförs.

## Ta bort skärbladet

- Stoppa motorn och ta bort batteripacket.
- Lägg kantskäraren på rygg så att skärbladet pekar uppåt.
- Använd skyddshandskar. Använd en nåltång (medföljer ej) för att ta bort saxsprinten på motoraxeln (bild G).
- Rotera skärbladet för att rikta in skåran i flänsen med hålet på växelhuset (bild G).

Bild G. Se nedan för beskrivning av delar:

G-1	Saxsprint
G-2	Innerfläns
G-3	Växelhus

- För in insexnyckeln (medföljer) i de inriktade hålen för att fungera som en stabilisator. Använd den multifunktionella skiftnyckeln (medföljer) för att lossa på muttern **MEDURS** (bild H).
- Ta bort muttern, den yttre flänsen, skärbladet och innerflänsen från motoraxeln (bild I). Kontrollera och byt ut dem om de är slitna.

Bild I. Se nedan för beskrivning av delar:

I-1	Motoraxel	I-5	Kniv
I-2	Innerfläns	I-6	Yttre fläns
I-3	Skåra i innerflänsen	I-7	Mutter
I-4	Utbutkning på innerflänsen	I-8	Saxsprint

### Montera skärbladet

1. Placera innerflänsen mot motoraxeln med utbuktningen riktad utåt (bild I).
2. Montera det nya skärbladet mot innerflänsen, säkerställ att skärbladet är monterad korrekt på plats (bild J).
3. Montera den yttre flänsen och muttern på axeln, och dra åt muttern **MOTURS** för hand.
4. Följ ovanstående steg 4 och 5 i "Ta bort skärbladet" för att stabilisera skärbladet för att ordentligt dra åt muttern **MOTURS**.
5. Tryck in en ny saxsprint (medföljer) i hålet på motoraxeln. Böj saxsprintens "fötter" i motsatt riktning med en nåltång (medföljer ej) (bild G).

### BYTA UT STYRHJULET

1. Stoppa motorn och ta bort batteripacket.
2. Lägg kantskäraren på rygg så att styrhjulet pekar uppåt.
3. Lossa på vredet för djupjustering i den riktning som markeras på pilen för upplåsning och ta sedan bort den.
4. Ta bort fjäderbrickan, planbricka 1, styrhjul, bussning och planbricka 2 från skruvstången (bild K). Kontrollera och byt ut dem om de är slitna.
5. Montera först skruvstången genom styrskäraren för djupjustering och montera sedan planbricka 2, bussningen och det nya hjulet. Montera sedan planbricka 1, fjäderbrickan och vredet för djupjustering på skruvstången i den ordning som visas i bild K.

Bild K. Se nedan för beskrivning av delar:

K-1	Vred för djupjustering	K-5	Bussning
K-2	Fjäderbricka	K-6	Planbricka 2
K-3	Planbricka 1	K-7	Skruvstång
K-4	Styrhjul	K-8	Styrskena för djupjustering

**OBS!** Montera styrhjulet med de platta listerna riktade inåt (bild L).

Bild L. Se nedan för beskrivning av delar:

L-1	Skrubar	L-3	Skräpklaff
L-2	Platt list	L-4	Fästplatta

6. Lås vredet för djupjustering.

### BYTA UT SKRÄPKLAFFEN (bild L)

1. Stoppa motorn och ta bort batteripacket.
2. Använd insexnyckeln för att lossa de två skruvarna.

3. Ta bort skruvarna, fästplattan och den slitna skräpklaffen.
4. Montera den nya skräpklaffen och lås den på plats med fästplattan och de två skruvarna.

### KONTROLLERA OCH BYTA UT DET SLITAGESKYDDADE SKYDDET/STYRPLATTAN (bild M)

Kontrollera det slitageskyddade skyddet och styrplattan efter skador innan det motordrivna verktyget startas. Det slitageskyddade skyddet måste bytas ut så snart som växelhuset blir synligt.

**OBS!** Växelhuset kan skadas allvarligt om du inte byter ut det slitageskyddade skyddet när växelhuset är synligt.

1. Stoppa motorn och ta bort batteripacket.
2. Använd skyddshandskar. Roter skärbladet om nödvändigt för att hitta de två skruvarna.
3. Använd insexnyckeln (medföljer) för att lossa de två skruvarna och ta bort dem.

**OBS!** Om du bara behöver byta ut styrplattan, lossa och ta endast bort skruv 1.

4. Byt ut den deformerade eller slitna skyddet/styrplattan.
5. Montera det nya slitageskyddade skyddet och styrplattan på växelhuset och fixera på plats med de två skruvarna.

Bild M. Se nedan för beskrivning av delar:

M-1	Skruv 1	M-4	Slitageskyddat skydd
M-2	Styrplatta	M-5	Monteringshål
M-3	Skruv 2	M-6	Växellådan

### TA BORT STYRPLATTAN

Om du har erfarenhet av denna typ av kantskärare, eller om du tycker att styrplattan hindrar din användning, kan du ta bort styrplattan.

1. Lossa och ta bort skruv 1.
2. Ta bort styrplattan.
3. Sätt tillbaka och dra åt skruv 1.

### SMÖRJNING AV VÄXELLÅDAN

Växellådan i växelhuset måste smörjas regelbundet med växellådsolja. Kontrollera växellådans fettnivå efter varje 50 timmars användning genom att ta bort tätningsskruven på sidan av växelhuset.

Om inget fett kan ses på sidorna, följ stegen nedan för att fylla på med växellådsolja upp till 3/4 kapacitet.

Fyll inte upp den fullt.

SE

1. Placera kantskäraren uppåt så att tätningsskruven är riktad uppåt (bild N).
2. Använd den multifunktionella skiftnyckeln (medföljer) för att lossa och ta bort tätningsskruven. Använd en fettspruta (medföljer ej) för att trycka in lite fett i skruvhålet. Överskrid inte 3/4 kapacitet.
3. Dra åt tätningsskruven efter appliceringen.

## FÖRVARA ENHETEN

- Ta bort batteriet från kantskäraren
- Rengör maskinen noggrant innan den ställs av.
- Om kantskärarens tillbehör tas bort från motorenheten och förvaras separat, montera ändlocket på tillbehörsaxeln för att undvika att smuts tränger in i kopplingen.
- Förvara maskinen i ett torrt, väl ventilerat, låst eller högt beläget ställe, oåtkomligt för barn. Maskinen får inte förvaras på eller nära konstgödsel, bensin eller andra kemikalier.

SE

## Miljöskydd



Kasta inte elektrisk utrustning, använt batteri och laddare i hushållssoporna! Ta denna produkt till en auktoriserad återvinnare och gör den tillgänglig för separat insamling. Elektriska verktyg måste returneras till en miljöanpassad återvinningsanläggning.



## FELSÖKNING

PROBLEM	ORSAK	ÅTGÄRD
Motorn startar inte.	<ul style="list-style-type: none"> <li>■ Batteripacket är inte monterat på motorenheten.</li> <li>■ Det saknas elektrisk kontakt mellan motorenheten och batteripacket.</li> <li>■ Batteripacket är urladdat.</li> <li>■ Säkring och avtryckaren är inte nedtryckta samtidigt.</li> </ul>	<ul style="list-style-type: none"> <li>■ Montera batteripacket på motorenheten.</li> <li>■ Ta bort batteriet, kontrollera kontaktorna och sätt tillbaka batteripaketet tills det klickar på plats.</li> <li>■ Byt ut batteripacket med EGO-laddarna som listas i denna bruksanvisning.</li> <li>■ Håll säkringen nedtryckt och tryck sedan ner avtryckaren för att starta grästrimmern.</li> </ul>
Motorenheten stannar vid användning.	<ul style="list-style-type: none"> <li>■ Motorn är överbelastad.</li> <li>■ Batteripacket eller motorenheten är överhettad.</li> <li>■ Batteripacket är inte anslutet till verktyget.</li> <li>■ Batteripacket är urladdat.</li> </ul>	<ul style="list-style-type: none"> <li>■ Motorn hämtar igen sig när belastningen har tagits bort. För kontinuerlig användning, minska motorenhetens belastning.</li> <li>■ Låt batteripacket eller motorenheten svalna tills temperaturen sjunker under 67°C.</li> <li>■ Montera batteripacket igen.</li> <li>■ Charge the battery pack with EGO chargers listed in this manual.</li> </ul>
Ojämn kant	<ul style="list-style-type: none"> <li>■ Det kantskurna gräset eller marken är för blött.</li> <li>■ Skärbladsskyddet har stockat igen.</li> </ul>	<ul style="list-style-type: none"> <li>■ Undvik att kantskära i våt mark eller blött gräs.</li> <li>■ Stoppa motorn, ta ut batteripacket och ta bort skräpet från skärbladsskyddet.</li> </ul>

SE

## GARANTI

### GARANTIVILLKOREN AV EGO

Var god besök webbplatsen [egopowerplus.eu](http://egopowerplus.eu) för att se de fullständiga garantivillkoren av EGO.

## LUE KAIKKI OHJEET!



### LUE KÄYTTÖOPAS

**VAROITUS:** Valtuutetun huoltoteknikon tulee suorittaa kaikki korjaukset ja osien vaihdot, jotta voidaan taata tuotteen turvallinen ja luotettava käyttö.

## TURVAMERKIT

Turvamerkkien tavoitteena on kiinnittää huomio mahdollisiin vaaroihin. Sinun tulee lukea huolellisesti käyttöohjeet ja ymmärtää turvamerkit ja niiden selitteet. Turvamerkit eivät itsessään poista vaaraa. Niiden antamat ohjeet ja varoitukset eivät korvaa asianmukaisia tapaturman torjuntatoimenpiteitä.

**VAROITUS:** Varmista, että luet ja ymmärrät kaikki tämän käyttäjän käsikirjan turvallisuusohjeet, mukaan lukien kaikki vaaramerkit, kuten "**VAARA**", "**VAROITUS**" ja "**HUOMIO**", ennen kuin käytät työkalua. Alla mainittujen ohjeiden noudattamatta jättäminen voi aiheuttaa sähköiskun, tulipalon ja/tai vakavan henkilövahingon.

### MERKIN SISÄLTÖ

**VAROITUSMERKKI:** Ilmaisee seuraavia: **VAARA**, **VAROITUS** **TAI** **HUOMIO**. Voidaan käyttää yhdessä muiden merkkien tai kuvamerkkien kanssa.



**VAROITUS:** Vierasesineitä voi sähkötyökalujen käytön seurauksena lentää silmiin, ja ne voivat aiheuttaa vakavan silmävamman. Käytä aina suojalaseja tai turvalaseja sivusuojilla ja tarvittaessa kokokasvosuojusta ennen sähkötyökalun käytön aloittamista. Suosittelemme laajan näkökentän kasvosuojusta silmälasien päälle tai vakioturvalaseja sivusuojilla.

## TURVALLISUUSOHJEET

Tällä sivulla esitetään ja kuvataan tähän tuotteeseen mahdollisesti liittyvät turvamerkit. Lue kaikki koneen ohjeet siten, että ymmärrät ne, ja noudata niitä ennen kuin kasaat koneen ja käytät sitä.

	Turvallisuusvaroitus	Osoittaa mahdollista henkilövahinkojen vaaraa.
	Lue käyttöopas	Tapaturmariskin pienentämiseksi käyttäjän täytyy lukea ja ymmärtää käyttäjän käsikirja ennen tuotteen käyttöä.
	Käytä suojalaseja ja kuulosuojaimia	Käytä aina suojalaseja tai turvalaseja sivusuojilla ja kokokasvosuojusta, kun käytät tätä tuotetta.
	Reunaleikkurin terän pituus	Reunaleikkurin terän pituus
	Pidä sivulliset etäällä	Koneen ja sivullisten välillä tulisi olla vähintään 15 metrin etäisyys.
	Reunaleikkurin terän pyörimissuunta	Osoittaa reunaleikkurin terän pyörimissuunnan.
	Sinkoutuvia kohteita	Tarkasta alusta, jolla laitetta on tarkoitus käyttää, ja poista kaikki kivet, oksat, rautalangat, luut ja muut vieraat esineet.
	Käytä turvajalkineita	Käytä luistamattomia turvajalkineita varusteen käytön aikana.
	Pyörivä leikkuuterä	Älä laita käsiä tai jalkoja pyörivien osien lähelle tai alle.
	Pidä riittävä etäisyys sähkölinjoihin.	Vältä sähköiskut, älä käytä alle 15 metrin etäisyydellä ilmalinjoista. Kosketus sähkölinjaan tai käyttö sähkölinjan lähellä voi aiheuttaa vakavan henkilövahingon tai kuolemaan johtavan sähköiskun.
	CE	Tämä tuote vastaa sovellettavia EU-direktiivejä.
	UKCA	Tämä tuote on Yhdistyneen kuningaskunnan lainsäädännön mukainen.
	WEEE	Vanhoja sähkölaitteita ei saa hävittää kotitalousjätteen mukana. Vie laita valtuutettuun kierrätyslaitokseen.

	Melu	Taattu äänen tehotoso. Melupäästöt ympäristöön Euroopan yhteisön direktiivin mukaisesti.
V	Voltti	Jännite
mm	Millimetri	Pituus tai koko
cm	Senttimetri	Pituus tai koko
kg	Kilogramma	Paino
	Tasavirta	Virran tyyppi tai ominaisuus

### YLEISET KONETURVALLISUUSVAROITUKSET

**VAROITUS:** Lue kaikki tämän koneen mukana tulleet turvallisuusvaroitukset, ohjeet, piirustukset ja tekniset tiedot. Jos kaikkia alla olevia ohjeita ei noudateta, seurauksena saattaa olla sähköisku, tulipalo ja/tai vakava loukkaantuminen.

### SÄILYTÄ KAIKKI VAROITUKSET JA OHJEET MYÖHEMPÄÄ KÄYTTÖÄ VARTEN.

Varoituksissa termillä "kone" tarkoitetaan verkkovirtakäyttöistä (johdollista) tai akkukäyttöistä (johdotonta) konetta.

### TYÖALUEEN TURVALLISUUS

- **Pidä työskentelyalue siistinä ja hyvin valaistuna.** Sotkuiset tai hämärät alueet aiheuttavat onnettomuuksia.
- **Älä käytä koneita räjähdysherkässä ympäristössä, kuten esimerkiksi syttyvien nesteiden, kaasujen tai pölyjen lähellä.** Koneet saattavat aiheuttaa kipinöitä, jotka voivat sytyttää pölyn tai höyryt.
- **Älä päästä lapsia tai sivullisia lähelle, kun käytät konetta.** Häiriötekijät voivat aiheuttaa hallinnan menettämisen.

### SÄHKÖTURVALLISUUS

- **Koneen pistokkeiden on vastattava pistorasiaa. Älä ikinä muokkaa pistotulppaa millään tavalla. Älä käytä minkäänlaisia sovitinpistokkeita maadoitettujen koneiden kanssa.** Muokkaamattomat pistokkeet ja niihin sopivat pistorasiat vähentävät sähköiskun vaaraa.
- **Vältä koskemasta vartalollasi maadoitettuihin pintoihin, kuten putkiin, lämmityspattereihin, liesiin ja jääkaappeihin.** Sähköiskun riski kasvaa, jos kehosi on maadoitettu.

- **Älä käytä konetta sateessa tai märissä olosuhteissa.** Koneeseen pääsevä vesi voi lisätä sähköiskun tai toimintahäiriöiden riskiä, joka voi johtaa henkilövahinkoihin.
- **Älä väärinkäytä johtoa. Älä ikinä käytä johtoa koneen kantamiseen, vetämiseen tai pistokkeen irrottamiseen.** Pidä johto poissa tullen, öljyn, terävien reunojen tai liikkuvien osien läheltä. Vahingoittuneet tai sotkeutuneet johdot lisäävät sähköiskun vaaraa.
- **Kun käytät konetta ulkona, käytä ulkokäyttöön tarkoitettua jatkojohtoa.** Ulkokäyttöön tarkoitettun jatkojohdon käyttö vähentää sähköiskun riskiä.
- **Jos et voi välttää sähkötyökoneen käyttöä kosteissa olosuhteissa, käytä vikavirtasuojakytkimellä (vvs) varustettua pistorasiaa.** Vikavirtasuojakytkimen käyttö vähentää sähköiskuriskiä.

### HENKILÖKOHTAINEN TURVALLISUUS

- **Ole valpas, tarkkaavainen ja käytä maalaisjärkeä, kun käytät konetta. Älä käytä konetta, kun olet väsynyt tai kun olet huumeiden, alkoholin tai lääkityksen vaikutuksen alaisena.** Hetkellinenkin huomion herpaantuminen koneita käytettäessä saattaa aiheuttaa vakavan henkilövahingon.
- **Käytä henkilönsuojaimia. Käytä aina silmäsuojaimia.** Suojavarusteiden, kuten hengityssuojaimen, luistamattomien turvakengien, suojakypärän tai kuulosuojaimien, käyttö tarvittaessa vähentää loukkaantumisvaaraa.
- **Estä vahingossa käynnistyminen. Varmista, että kytkin on off-asennossa, ennen kuin liität virtalähteen ja/tai akun, nosta koneen tai kannat sitä.** Koneiden kantaminen sormi virtakytkimellä tai virta kytkettyä olevan koneen liittäminen pistorasiaan muodostaa onnettomuusvaaran.
- **Poista kaikki säätöön käytetyt avaimet tai kiintoavaimet ennen kuin käynnistät koneen.** Koneen pyöriivään osaan jätetty avain tai kiintoavain saattaa aiheuttaa henkilövahingon.
- **Älä kurkottele. Säilytä aina tukeva asento ja hyvä tasapaino.** Näin hallitset koneen parhaalla mahdollisella tavalla odottamattomissa tilanteissa.
- **Pukeudu asianmukaisesti. Älä käytä väljiä vaatteita tai koruja.** Pidä hiukset ja vaatteet etäällä liikkuvista osista. Väljät vaatteet, korut tai pitkät hiukset voivat takertua liikkuviin osiin.
- **Jos laitteissa on liitännät pölynpoistolaitteille ja keräilylaitteille, varmista, että ne on liitetty ja niitä käytetään oikein.** Pölynpoistolaitteiden käyttö vähentää pölyyn liittyviä vaaroja.

- **Älä anna koneiden tuttuuden toistuvan käytön takia tehdä sinua liian itsevarmaksi, äläkä jätä koneiden turvallisuusohjeita noudattamatta.**

Huolimaton toiminta voi aiheuttaa vakavan henkilövahingon sekunnin murto-osassa.

## KONEEN KÄYTTÖ JA HOITO

- **Älä pakota konetta. Käytä omaan käyttötarkoitukseesi soveltuvaa konetta.** Oikea kone suoriutuu parhaiten ja turvallisimmin tehtävästä sille tarkoitetulla nopeudella.
- **Älä käytä konetta, jos sitä ei saa käynnistettyä ja sammutettua kytkimellä.** Koneen, jota ei voida hallita kytkimellä, käyttö on vaarallista ja se on korjattava.
- **Irrota pistotulppa virtalähteestä ja/tai irrota akku koneesta, jos irrotettavissa, ennen kuin teet mitään säätöjä, vaihdat apuvälineitä tai laitat koneen varastoon.** Nämä ennaltaehkäisevät turvallisuusuimenpiteet vähentävät koneen vahingossa käynnistymisen riskiä.
- **Säilytä käyttämättömänä oleva kone lasten ulottumattomissa, äläkä anna henkilöiden, jotka eivät tunne konetta tai näitä ohjeita, käyttää konetta.** Koneet ovat vaarallisia kokemattomien käyttäjien käsissä.
- **Pidä koneet ja lisävarusteet kunnossa. Tarkista, että liikkuvat osat ovat kunnolla paikallaan, että osat ovat ehjiä, ja että koneessa ei ole muita ongelmia, jotka saattaisivat vaikuttaa sen toimintaan.** Jos kone on vaurioitunut, korjauta se ennen käyttöä. Monet onnettomuudet johtuvat huonosti huolletuista koneista.
- **Pidä leikkuukoneet terävinä ja puhtaina.** Oikein huolletut leikkuukoneet, joissa on terävät leikkuureunat, eivät todennäköisesti jumiudu, ja niitä on helpompi hallita.
- **Käytä konetta, lisävarusteita ja koneen teriä ym. näiden ohjeiden mukaisesti ja siten, että otat huomioon käyttöolosuhteet ja tehtävän työn.** Koneen käyttö muuhun kuin sille suunniteltuun tarkoitukseen saattaa aiheuttaa vaaratilanteen.
- **Pidä kahvat ja tartuntapinnat kuivina, puhtaina, öljyttöminä ja rasvattomina.** Liukkaat kahvat ja tartuntapinnat eivät mahdollista koneen turvallista käsittelyä ja hallintaa odottamattomissa tilanteissa.

## AKKUKONEEN KÄYTTÖ JA HOITO

- **Lataa vain valmistajan määrittelemällä laturilla.** Laturi, joka sopii yhdyntyyppiselle akulle voi aiheuttaa tulipalovaaran, jos sitä käytetään toisenlaisen akun kanssa.

- **Käytä koneissa vain erityisesti niihin tarkoitettuja akkuja.** Muunlaisten akkujen käyttö saattaa aiheuttaa henkilövahingon tai tulipalon vaaran.

- **Kun akku ei ole käytössä, pidä se erillään metalliesineistä, kuten paperiliittimet, kolikot, avaimet, naulat, ruuvit ja muut pienet metalliesineet, jotka voivat yhdistää akun navat toisiinsa.** Akun napojen oikosulku voi aiheuttaa palovammoja tai tulipalon.

- **Akusta voi valua nestettä väärästä käytöstä johtuen. Vältä kosketusta nesteeseen.** Jos kosket nesteeseen vahingossa, huuhtelee vedellä. Jos nestettä pääsee silmiin, hakeudu lääkärin hoitoon. Akusta valuva neste voi aiheuttaa ärsytystä tai palovammoja.

- **Älä käytä akkua tai konetta, joka on vaurioitunut tai jota on muutettu.** Vaurioituneet tai muutetut akut voivat käyttäytyä arvaamattomasti ja aiheuttaa tulipalon, räjähdyksen tai henkilövahingon vaaran.

- **Älä altista akkua tai konetta tulelle tai ääriämmäisille lämpötiloille.** Altistaminen yli 130 °C:n lämpötilalle voi aiheuttaa räjähdyksen.

- **Noudata kaikkia latausohjeita, äläkä lataa akkua tai konetta lämpötilassa, joka ei ole ohjeissa ilmoitetun lämpötila-alueen sisällä.** Virheellinen lataaminen tai lataaminen ilmoitetun lämpötila-alueen ulkopuolella olevassa lämpötilassa voi vaurioittaa akkua ja lisätä palovaaraa.

## TÄRKEITÄ TURVALLISUUSOHJEITA

**VAROITUS:** Kun käytät trimmeriä, tiettyjä turvallisuuteen liittyviä varoitusuimenpiteitä tulee aina noudattaa tulipalon, sähköiskun ja henkilövahingon riskin pienentämiseksi. Niitä ovat esimerkiksi seuraavat:

## LUE HUOLELLISESTI ENNEN KÄYTTÖÄ

### SÄILYÄ OHJEET HUOLELLISESTI

**VAARA:** Älä luota työkalun sähköiskueristykseen. Tappavan sähköiskun riskin pienentämiseksi älä koskaan käytä konetta (sähkö- jne.) johtojen tai kaapeleiden läheisyydessä, koska ne voivat kuljettaa sähkövirtaa.

**HUOMAUTUS:** Pidä käytön aikana asianmukaista kuulosuojainta. Tietyissä käyttöolosuhteissa ja käytön kestäessä tietyn aikaa tuotteen melu voi aiheuttaa kuulovaurioita.

## Ennen käyttöä

- Lue ohjeet huolellisesti. Perekdy hallintalaitteisiin ja koneen asianmukaiseen käyttöön.
- Älä anna näihin ohjeisiin perehtymättömien henkilöiden tai lasten koskaan käyttää konetta. Paikalliset säännöt voivat rajoittaa käyttäjän ikää.

- Älä koskaan käytä reunaleikkuria, jos lähellä on ihmisiä, erityisesti lapsia, tai lemmikkejä.
- Muista, että laitteen käyttäjä on vastuussa muille henkilöille tai heidän omaisuudelleen sattuvista tapaturmista tai aiheutuvista vaaroista.

### Käytön valmistelu

- Käytä aina suojalaseja ja kuulosuojaimia, kunnollisia jalkineita ja pitkähihaisia housuja, kun käytät reunaleikkuria.
- Tarkasta alusta, jolla laitetta on tarkoitus käyttää, ja poista kaikki kivet, oksat, rautalangat, luut ja muut vieraat esineet.
- Tarkista aina ennen käyttöä, etteivät terät, terän pultit ja leikkurikokoonpano ole kuluneet tai vahingoittuneet. Vaihda kuluneet tai vahingoittuneet terät ja pultit sarjoina, jotta laitteen tasapaino säilyy.

### Käyttö

- Käytä reunaleikkuria vain päivänvalossa tai hyvässä keinovalaistuksessa.
- Pidä aina tukeva asento rinteissä.
- Kävele, älä juokse.
- Ole erittäin varovainen, kun peruutat tai vedät reunaleikkuria itseäsi kohti.
- Varmista, että terä on pysähtynyt ennen kuin ylität muita kuin ruohopintoja tai kun kuljetat reunaleikkuria leikkattavalle alueelle tai sieltä pois.
- Älä koskaan käytä reunaleikkuria, jos suojukset ovat vialliset, ne puuttuvat tai on asennettu väärin.
- Älä muuta moottorin säätöasetuksia tai ylitä moottorin suurinta kierrosnopeutta.
- Käynnistä moottori kytkimestä ohjeiden mukaisesti ja siten, että jalat ovat riittävän kaukana teristä.
- Älä kallista, kun kytket moottorin päälle, paitsi jos reunaleikkuria täytyy kallistaa käynnistystä varten. Kallista tässä tapauksessa vain mahdollisimman vähän ja nosta vain sitä osaa, joka on käyttäjistä kauempana.
- Älä käynnistä moottoria, jos joku seisoo terän (terien) edessä.
- Älä laita käsiä tai jalkoja pyörivien osien lähelle tai niiden alle.
- Sammuta moottori ja irrota laite akusta, aina:
  - 1) Ennen tukosten poistamista;
  - 2) Ennen kuin tarkastat tai puhdistat terän (terät) tai teet muita toimenpiteitä;
  - 3) Vieraaseen esineeseen osumisen jälkeen: Tarkasta terä(t) vaurioitumisen varalta ja korjaa ennen uudelleen käynnistämistä ja reunaleikkurin käyttöä.

- 4) Jos laite alkaa täristä epänormaalisti (tarkista heti).
- Pysäytä moottori aina, kun jätät reunaleikkurin yksin.
  - Älä lataa akkuyksikköä sateessa tai märässä tilassa.
  - Käytä vain kuvassa A lueteltujen akkujen ja latureiden kanssa.
  - Akkuyksikkö täytyy irrottaa laitteesta ennen laitteen romuttamista.
  - Akku on hävitettävä turvallisesti.
  - Älä hävitä akkua polttamalla. Kennot voivat räjähtää. Tarkista paikallisista määräyksistä mahdolliset erityiset hävitysohjeet.
  - Älä avaa tai turmele akkua. Vuotava akkuhappo on syövyttävää ja voi aiheuttaa silmä- tai ihovaurioita. Happo voi olla myrkyllistä nieltynä.
  - Käsittele akkuja varoen, jotta et aiheuta akkuun oikosulkua sähköä johtavilla materiaaleilla, kuten sormuksilla, rannekoruilla ja avaimilla. Akku tai johdin voi ylikuumeta ja aiheuttaa palovammoja.
  - Akkutyökaluja ei tarvitse kytkeä sähköverkkoon; ne ovat siksi aina käyttökunnossa. Huomioi mahdolliset vaarat myös silloin, kun työkalua ei käytetä. Ole varovainen, kun suoritat kunnossapitoa tai huoltoa.
  - Älä pese letkulla; estä veden pääsy moottoriin ja sähköliitäntöihin

### Kunnossapito ja säilytys

- Pidä kaikki mutterit, pultit ja ruuvit kiristettyinä, jotta varmistat laitteen turvallisen toimintakunnon.
- Vaihda kuluneet tai rikkoutuneet osat.
- Älä yritä korjata konetta, ellei sinulla ole pätevyyttä siihen.
- Käytä vain valmistajan suosittelemia varaosia ja tarvikkeita.
- Irrota kone akusta ennen kuin teet mitään huolto- tai puhdistustoimenpiteitä.
- Tarkasta kone ja huolla sitä säännöllisesti. Anna vain valtuutettujen korjaajien korjata laite.
- Kun laite ei ole käytössä, säilytä sitä lasten ulottumattomissa.
- Jos kohtaat tilanteen, jota ei tässä käyttöoppaassa käsitellä, toimi varoen ja käytä omaa harkintakykyäsi. Pyydä lisäohjeita EGO-huoltokeskuksesta.
- Säilytä nämä ohjeet. Tarkasta ohjeet usein ja käytä niitä ohjeistamaan muita, jotka saattavat käyttää tätä laitetta. Jos lainaat tämän laitteen jollekulle muulle, lainaa samalla myös nämä ohjeet laitteen väärinkäytön tai mahdollisen vamman estämiseksi.

## SÄILYTÄ NÄMÄ OHJEET!

**HUOMAUTUS: KATSO AKKUPÄÄN KÄYTTÖOPPAASTA LISÄÄ ERITYISIÄ TURVALLISUUSOHJEITA.**

## MÄÄRITYKSET

Terän pituus	20 cm
Leikkaussyvyys	Enintään 75 mm
Paino	2,26 kg
Käyttölämpötila	-15 – 40°C
Varastointilämpötila	-20 – 70°C
Taattu äänen tehotaso $L_{WA}$	92,4 dB(A) K=2,07 dB(A) (PH1400E)
	90,7 dB(A) K=1,46 dB(A) (PH1420E)
	90 dB(A) K=1,3 dB(A) (PHX1600)
Äänenpaineen taso käyttäjän korvien tasolla $L_{PA}$	79,8 dB(A) K=3 dB(A) (PH1400E)
	81,2 dB(A) K=3 dB(A) (PH1420E)
	84 dB(A) K=3 dB(A) (PHX1600)
Mitattu äänen tehotaso $L_{WA}$ (mitattu 2000/14/EC:n mukaisesti)	95 dB(A)

FI

Värinä $a_h$	Edessä oleva apukahva	1,2 m/s <sup>2</sup> K=1,5 m/s <sup>2</sup> (PH1400E)
		1,95 m/s <sup>2</sup> K=1,5 m/s <sup>2</sup> (PH1420E)
		1,6 m/s <sup>2</sup> K=1,5 m/s <sup>2</sup> (PHX1600)
	Takakahva	2,2 m/s <sup>2</sup> K=1,5 m/s <sup>2</sup> (PH1400E)
		1,66 m/s <sup>2</sup> K=1,5 m/s <sup>2</sup> (PH1420E)
		1,53 m/s <sup>2</sup> K=1,5 m/s <sup>2</sup> (PHX1600)

- Edellä esitetyt parametrit on testattu ja mitattu akkupäähän PH1400E/PH1420E/PHX1600 kanssa;
- Ilmoitettu värinän kokonaisarvo on mitattu standardikoemenetelmän mukaan ja sitä voidaan käyttää verrattaessa työkaluja keskenään
- Ilmoitettua värinän kokonaisarvoa voidaan myös käyttää altistumisen ennakoarvioinnissa.

**HUOMAA:** Sähkötyökalun todellisen käytön aikana ilmenevä värinä voi erota työkalun käytölle ilmoitetusta arvosta. Käyttäjän suojelemiseksi on todellisissa käyttöolosuhteissa käytettävä käsineitä ja kuulosuojaimia.

## PAKKAUSLUETTELO

OSAN NIMI	MÄÄRÄ
Reunaleikkurilisäosa	1
Kuusiokoloavain	1
Monitoimiavain	1
Saksisokka	2
Käyttäjän käsikirja	1

## Suosittelut terä

OSAN NIMI	MALLIN NUMERO
Reunaleikkurin terä	AEB0800

## KUVAUS

### TUNNE LEIKKURILISÄOSA (Kuva A)

1. Päätytulppa
2. Reunaleikkurin varsi
3. Terän suoja
4. Terä
5. Syvyyden säätönappi
6. Ohjauspyörä
7. Kuusiokoloavain
8. Monitoimiavain
9. Syvyyttä säätävä ohjaustanko
10. Roskaläppä
11. Saksisokka
12. Ruuvi, joka lukitsee ohjauslevyn paikalleen
13. Ohjauslevy

## KOKOONPANO

**VAROITUS:** Jos jokin osa on vahingoittunut tai puuttuu, älä käytä tuotetta ennen kuin osat on vaihdettu. Tuotteen käyttö silloin, kun siinä on vahingoittuneita osia tai osia puuttuu, saattaa aiheuttaa vakavan henkilövahingon.

**VAROITUS:** Älä yritä muokata tätä laitetta tai luoda sille lisävarusteita, joita ei suositella käytettäväksi tämän siimaleikkurin kanssa. Mikä tahansa tällainen muokkaus tai muutos on väärinkäyttö ja saattaa aiheuttaa vaarallisen tilan, joka saattaa johtaa vakavaan henkilövahintaan.

**VAROITUS:** Poista akku koneesta aina, kun kokoat osia. Näin varmistat, ettei laite käynnisty vahingossa eikä aiheuta vakavia henkilövahinkoja.

**VAROITUS:** Käytä aina käsineitä, kun kiinnität tai vaihdat suojusta. Varo suojuksen terää ja suojaa kätesi leikkautumiselta.

**VAROITUS:** Älä koskaan käytä konetta ilman, että suojuksen on kunnolla paikallaan. Suojuksen on aina oltava koneessa käyttäjän suojaamiseksi! Kun suojuksen vaihtaminen on tarpeen, vain asiantunteva huoltoteknikko saa tehdä sen!

### REUNALEIKKURIN KIINNITTÄMINEN AKKUPÄÄHÄN

Tämä reunaleikkurilisäosa on suunniteltu käytettäväksi EGO 56 V litiumioniakkupään PH1400E/PH1420E/PHX1600 kanssa.

Katso akkupään PH1400E/PH1420E/PHX1600 käyttöoppaasta kohta ”LISÄOSAN ASENTAMINEN AKKUPÄÄHÄN”.

## KÄYTTÖ

**VAROITUS:** Älä anna perehtyneisyyden tuotteeseen saada sinua huolimattomaksi. Muista, että sekunnin murto-osa huolimattomuutta riittää aikaansaamaan vakavan henkilövahingon.

**VAROITUS:** Käytä aina suojalaseja sivusuojilla. Yhdessä kuulosuojaimien kanssa. Muussa tapauksessa silmiin voi lentää roskia ja muita mahdollisia vakavia vahinkoja tapahtua.

### KÄYTTÄMINEN

Voit käyttää laitetta alla lueteltuihin tarkoituksiin:

- Reunojen leikkaus kävelyteiden, jalkakäytävien, kukkapenkien ja muiden vastaavien ympäriltä.

**HUOMAA:** Laitetta tulee käyttää vain sille tarkoitettuun tarkoitukseen. Kaikki muu käyttö katsotaan väärinkäytöksi.

### Tarkasta trimmeri ennen jokaista käyttöä vaurioituneiden/kuluneiden osien varalta

Tarkasta siimapää, suojuksen ja tukikahvan vaihda halkeilleet, vääntyneet, taipuneet tai jollakin tavalla vaurioituneet osat.

**VAROITUS:** Vakavan henkilövahingon välttämiseksi poista akku työkalusta ennen kuin huollat tai puhdistat sitä tai vaihdat siihen varusteita tai poistat materiaalia laitteesta.

### REUNALEIKKURIN KIINNITTÄMINEN AKKUPÄÄHÄN

**VAROITUS:** Pukeudu asianmukaisesti, niin vähennät loukkaantumisvaaraa tätä laitetta käytettäessäsi. Älä käytä väljiä vaatteita tai koruja. Käytä suojalaseja ja kuulosuojaimia. Käytä paksuja, pitkälahkeisia housuja, kunnollisia jalkineita ja suojakäsineitä. Älä käytä lyhytlahkeisia housuja, sandaaleita tai ole paljain jaloin. Käytä pölyisissä olosuhteissa hengityssuojainta.

**VAROITUS:** Poista kaikki esteet ja kiinteät kohteet työskentelyalueelta.

Käytön turvallisuuden ja sujuvuuden takia laita olkahihna olan yli. Säädä olkahihnaa, kunnes käyttöasento on mukava.

Pidä reunaleikkurista kiinni aina niin, että oikea kätesi on takakahvalla ja vasen kätesi etuapukahvalla. Pidä kummallakin kädellä työkalusta kunnolla kiinni käytön aikana. Reunaleikkuria tulee pitää miellyttävässä asennossa ja takakahva noin lonkan korkeudella, (kuva B).

**VAROITUS:** Olkahihna on myös nopea vapautusmekanismi vaaratilanteissa. Kun on hätätilanne, ota laite olaltasi välittömästi riippumatta hihnan asennosta.

## Puhdista reunaleikkuri jokaisen käyttökerran jälkeen

Katso HUOLTO-osiosta puhdistamisohteet.

### LEIKKAUSSYVYYDEN SÄÄTÄMINEN

1. Pysäytä moottori ja poista akku.
2. Löysää syvyyden säätönuppi nuppiin merkityn avausta ilmaisevan nuolen suuntaan (kuva C).
3. Siirrä ohjauspyörää syvyyttä säätävää ohjaustankoa pitkin. Leikkaussyvyys kasvaa siirtämällä ylöspäin ja pienenee siirtämällä alaspäin (kuva D).
4. Säädä ohjauspyörä siten, että terä vain koskettaa maata tai rikkoo maanpinnan korkeintaan 5 mm syvyyteen (kuva E) ja kiristä pyörä tiukalle.
5. Tarkasta leikkaussyvyys uudelleen, kun seisoit normaalissa työskentelyasennossa. Korjaa tarvittaessa.

### TYÖKALUN KÄYNNISTÄMINEN/SAMMUTTAMINEN

Katso akkupään PH1400E/PH1420E/PHX1600 käyttöoppaasta kohta **”AKKUPÄÄN KÄYNNISTÄMINEN/SAMMUTTAMINEN”**.

### KÄYTTÖVINKKEJÄ

- Pidä ja ohjaa akkupäätä siten, että terä on pystysuorassa. Käytä tähtäysviivaa ja kohdistat terä kohteen reunaan (kuva F).
- Älä kulje normaalia kävelyvauhtia nopeammin. Jos terä alkaa juuttua, leikkaat liian nopealla vauhdilla, hidasta askeleitasi.
- Kävele aina leikatessa eteenpäin ja siirrä reunaleikkuria eteenpäin. Älä vedä reunaleikkuria itseäsi kohti.
- Älä pakota terää maahan voimalla. Terän kevyt kosketus kävelytien, jalkakäytävän jne. reunaan on sallittua, eikä vaurioita reunaleikkuria.
- Parhaan tuloksen saat, jos ruoho on kuivaa. Vältä reunaleikkurin käyttöä maan tai ruohon ollessa märkää. Terän suojuus voi silloin tukkeutua ja reunasta tulee epätasainen. Jos terän suojuus tukkeutuu, sammuta moottori, poista akku ja poista tukokset terän suojuksesta.

## HUOLTO

**VAROITUS:** Pysäytä moottori, odota kaikkien liikkuvien osien pysähtymistä ja poista akku ennen laitteen tarkastamista, puhdistamista tai huoltamista. Näiden ohjeiden noudattamatta jättäminen saattaa johtaa vakavaan henkilövahinkoon tai omaisuusvahinkoon.

**VAROITUS:** Käytä huollon yhteydessä vain valmistajan hyväksymiä varaosia. Muiden osien käyttö voi aiheuttaa vaaran tai vahingoittaa tuotetta. Tarkasta ja huolla kone säännöllisin väliajoin. Valtuutetun huoltoteknikon tulee suorittaa kaikki korjaukset, jotta voidaan taata tuotteen turvallinen ja luotettava käyttö.

### YLEINEN KUNNOSSAPITO

Vältä liuotinaineiden käyttöä, kun puhdistat muoviosia. Useimmat muovit ovat herkkiä vaurioitumaan erilaisista kaupallisista liuottimista. Poista lika, pöly, öljy, rasva jne. puhtaalla liinalla.

### LAITTEEN PUHDISTUS

- Puhdista lika, tukokset ja ruoho terästä ja suojuksesta pehmeällä harjalla joka käyttökerran jälkeen. Pyyhi reunaleikkurin pinta puhtaalla mietoon saippuuliukokseen kostutetulla liinalla.
- Puhdista moottorin kotelon tuuletusaukot pienellä harjalla tai pölynimurin harjalla.

**HUOMAA:** Älä käytä voimakkaita puhdistusaineita muoviseen kuoreen tai kahvaan. Ne saattavat vahingoittaa tietyistä aromaattisista öljyistä, kuten mänty ja sitruuna.

### TERÄN VAIHTAMINEN

**VAROITUS:** Älä yritä suoristaa tai hitsata taipunutta tai murtunutta terää, se saattaa katketa. Terä tulee vaihtaa. Suosittelemme vaihtamaan terän vain EGO-reunaleikkurin terään. Katso kohta **”Suositeltu terä”**.

**HUOMAA:** Vaihda terä, jos sen pituus ei enää riitä tarvittavan maavälin säilyttämiseen ja halutun leikkaussyvyyden saamiseen.

**VAROITUS:** Suojaa aina kätesi paksuilla käsineillä tai käärimällä terä rätteihin tai muihin vastaaviin materiaaleihin silloin, kun teet huoltotöitä reunaleikkurin terälle.

### Terän poistaminen

1. Pysäytä moottori ja poista akku.
2. Aseta reunaleikkuri selälleen siten, että terä on ylöspäin.



- Käytä suojakäsineitä. Poista saksisokka moottorin karasta kärkipihdeillä (ei mukana) (kuva G).
- Käännä terää, jotta laipan kolo kohdistuu vaihdekotelon reikään (kuva G).

Kuvan G osien kuvaus alla:

G-1	Saksisokka
G-2	Sisälaippa
G-3	Vaihteiston kotelo

- Työnnä mukana toimitettu kuusiokoloavain kohdistettujen reikien läpi toimimaan vakaimena. Löysää mutteria **MYÖTÄPÄIVÄÄN** mukana toimitetulla monitoimiavaimella (kuva H).
- Poista mutteri, ulkovaippa, terä ja sisälaippa moottorin karasta (kuva I). Tarkasta ja vaihda ne, jos ne ovat kuluneet.

Kuvan I osien kuvaus alla:

I-1	Moottorin kara	I-5	Terä
I-2	Sisälaippa	I-6	Ulkolaippa
I-3	Sisälaipan kolo	I-7	Mutteri
I-4	Sisälaipan uloke	I-8	Saksisokka

#### Terän asentaminen

- Aseta sisälaippa moottorin karaan uloke ulospäin (kuva I).
- Asenna uusi terä sisälaipan päälle. Varmista, että terä asennetaan kunnolla paikoilleen (kuva J).
- Asenna ulkolaippa ja mutteri karaan, esikiristä mutteri käsin **VASTAPÄIVÄÄN**.
- Noudata kohdan ”Terän poistaminen” vaiheita 4 ja 5 terän vakauttamiseksi ja mutterin kiristämiseksi kunnolla **VASTAPÄIVÄÄN**.
- Työnnä uusi mukana toimitettu saksisokka moottorin karaan reikään. Taivuta sokan kaksi uloketta vastakkaisiin suuntiin kärkipihdeillä (ei mukana) (kuva G).

#### OHJAUSPYÖRÄN VAIHTAMINEN

- Pysäytä moottori ja poista akku.
- Aseta reunaleikkuri selälleen siten, että ohjauspyörä on ylöspäin.
- Löysää syvyyden säätönuppia nuppiin merkityn avausta ilmaisevan nuolen suuntaan ja poista se.
- Poista jousialuslevy, tasainen aluslevy 1, ohjauspyörä, holkki ja tasainen aluslevy 2 ruuvien varresta (kuva K). Tarkasta ja vaihda ne, jos ne ovat kuluneet.

- Asenna ruuvien varsi ensin syvyyden säätötangon läpi, asenna sitten tasainen aluslevy 2, holkki ja uusi pyörä, asenna sitten tasainen aluslevy 1, jousialuslevy ja syvyyden säätönuppi ruuvien varteen kuvassa K näkyvässä järjestyksessä.

Kuvan K osien kuvaus alla:

K-1	Syvyyden säätönuppi	K-5	Holkki
K-2	Jousialuslevy	K-6	Tasainen aluslevy 2
K-3	Tasainen aluslevy 1	K-7	Ruuvien varsi
K-4	Ohjauspyörä	K-8	Syvyyttä säätävä ohjaustanko

**HUOMAA:** Ohjauspyörä tulee asentaa tasaiset puolet sisäänpäin (kuva L).

Kuvan L osien kuvaus alla:

L-1	Ruuvit	L-3	Roskaläppä
L-2	Tasainen puola	L-4	Kiinnityslevy

- Lukitse syvyyden säätönuppi.

#### ROSKALÄPÄN VAIHTAMINEN (kuva L)

- Pysäytä moottori ja poista akku.
- Löysää kaksi ruuvia mukana toimitetulla kuusiokoloavaimella.
- Poista ruuvit, kiinnityslevy ja kulunut roskaläppä.
- Vaihda tilalle uusi roskaläppä ja lukitse se kiinnityslevyillä ja kahdella ruuvilla.

#### KULUMISTA ESTÄVÄN SUOJUKSEN/OHJAUSLEVYN TARKASTAMINEN JA VAIHTAMINEN (kuva M)

Tarkasta kulumista estävä suojuus ja ohjauslevy vaurioiden varalta ennen sähkötyökalun käynnistämistä. Kulumista estävä suojuus täytyy vaihtaa heti, kun vaihdekotelo alkaa näkyä.

**HUOMAA:** Vaihdekotelo voi vaurioitua pahasti, jos et vaihda kulumista estävää suojusta heti, kun vaihdekotelo alkaa näkyä.

- Pysäytä moottori ja poista akku.
- Käytä suojakäsineitä. Pyöritä terää niin paljon kuin tarpeen, jotta kaksi ruuvia paljastuu.
- Löysää kaksi ruuvia mukana toimitetulla kuusiokoloavaimella ja poista ruuvit.

**HUOMAA:** Jos sinun tarvitsee vaihtaa ainoastaan ohjauslevy, löysää ja poista vain ruuvi 1.

- Vaihda vääntynyt tai kulunut kulumisen estävä suojus/ohjauslevy.
- Asenna uusi kulumisen estävä suojus ja ohjauslevy vaihdekotelon päälle ja lukitse ne kahdella ruuvilla.

Kuvan M osien kuvaus alla:

M-1	Ruuvi 1	M-4	Kulumisen estävä suojus
M-2	Ohjauslevy	M-5	Asennusreiät
M-3	Ruuvi 2	M-6	Vaihdekotelo

## OHJAUSLEVYN POISTAMINEN

Voit poistaa ohjauslevyn, jos olet kokenut tämän tyyppisen reunaleikkurin käyttäjä tai ohjauslevy estää reunan leikkaamista.

- Löysää ja poista ruuvi 1.
- Poista ohjauslevy.
- Aseta ruuvi 1 takaisin ja kiristä se.

## VAIHDEPYÖRÄN VOITELU

Vaihdekotelossa oleva vaihdepyörä tulee voidella säännöllisesti vaihderasvalla. Tarkasta vaihdekotelon rasvan taso noin 50 käyttötunnin välein poistamalla kotelon sivussa oleva tiivistysruuvi.

Jos vaihteen sivuilla ei näy rasvaa, lisää vaihderasvaa enintään 3/4 kapasiteetista seuraavien ohjeiden mukaisesti.

Älä täytä vaihdepyörää kokonaan rasvalla.

- Aseta reunaleikkuri pystyyn siten, että tiivistysruuvi on ylöspäin (kuva N).
- Löysää tiivistysruuvia mukana toimitetulla monitoimiavaimella ja poista ruuvi. Käytä rasvaruiskua (ei mukana) ja ruiskuta jonkin verran rasvaa ruuvien reikään; älä ylitä 3/4 kapasiteetista.
- Kiristä tiivistysruuvi ruiskutuksen jälkeen.

## LAITTEEN VARASTOINTI

- Irrota akku reunaleikkurista.
- Puhdista työkalu perusteellisesti ennen varastointia.
- Jos reunaleikkurilisäosa poistetaan akkupäästä ja säilytetään erikseen, kiinnitä päätytulppa lisäosan varteeseen, jotta lika ei pääse liitoskappaleeseen.
- Varastoi laite kuivaan, hyvin ilmastoituihin tiloihin, joka on lukittu tai muuten lasten ulottumattomissa. Älä varastoi laitetta lannoitteiden, bensiinin tai muiden kemikaalien päälle tai viereen.

## Ympäristönsuojelu



Älä hävitä sähkölaitteita, käytettyjä akkuja tai laturia kotitalousjätteen seassa! Vie tämä tuote hyväksytyyn kierrätyspaikkaan tai anna se erilliseen keräilyyn. Sähkökoneet tulee palauttaa asianmukaiseen ympäristöystävälliseen kierrätyslaitokseen.

## VIANETSINTÄ

ONGELMA	SYY	RATKAISU
Moottori ei käynnisty.	<ul style="list-style-type: none"> <li>■ Akkua ei ole liitetty akkupäähän.</li> <li>■ Akkupään ja akun välillä ei ole sähköliitäntää.</li> <li>■ Akkuyksikkö on tyhjä</li> <li>■ Nappi ja liipaisinta ei paineta samanaikaisesti.</li> </ul>	<ul style="list-style-type: none"> <li>■ Kiinnitä akku akkupäähän.</li> <li>■ Poista akku, tarkasta liitäntäkohdat ja asenna akku takaisin, kunnes se naksahtaa paikalleen.</li> <li>■ Lataa akku käyttöoppaan luettelossa olevalla EGO-laturilla.</li> <li>■ Paina lukituksen vapautuspainike alas ja pidä sitä pohjassa. Paina liipaisin pohjaan käynnistääksesi akkupään.</li> </ul>
Akkupää sammuu käytön aikana	<ul style="list-style-type: none"> <li>■ Moottori on ylikuormittunut.</li> <li>■ Akku tai akkupää on ylikuumentunut.</li> <li>■ Akku on irronnut työkalusta.</li> <li>■ Akku on tyhjä.</li> </ul>	<ul style="list-style-type: none"> <li>■ Moottori tunnistaa, kun kuorma poistetaan. Vähennä akkupään kuormitusta jatkuvassa käytössä.</li> <li>■ Anna akun tai akkupään jäähtyä, kunnes lämpötila on alle 67 °C.</li> <li>■ Aseta akku uudelleen paikalleen.</li> <li>■ Lataa akku käyttöoppaan luettelossa olevalla EGO-laturilla.</li> </ul>
Epätasainen reuna	<ul style="list-style-type: none"> <li>■ Ruoho tai maa on liian kostea.</li> <li>■ Terän suojus on tukossa.</li> </ul>	<ul style="list-style-type: none"> <li>■ Vältä reunaleikurin käyttöä, kun maa tai ruoho on kostea.</li> <li>■ Sammuta moottori, poista akku ja poista tukokset terän suojuksesta.</li> </ul>

**FI**

## TAKUU

### EGO-TAKUUKÄYTÄNTÖ

Katso verkkosivuilta osoitteesta [egopowerplus.eu](http://egopowerplus.eu) EGO-takuukäytännön ehdot ja edellytykset kokonaisuudessaan.

## LES ALLE INSTRUKSJONER!



### LES BRUKERMANUALEN

**⚠ ADVARSEL:** For sikre både sikkerheten og påliteligheten, skal alle reparasjoner utføres av en kvalifisert servicetekniker.

## SIKKERHETSSYMBOLER

Formålet med sikkerhetssymbolene er å trekke oppmerksomheten din mot mulige faresituasjoner. Sikkerhetssymbolene og forklaringene krever din fulle oppmerksomhet og forståelse. Symbolvarslene eliminerer ikke farer på egen hånd. Instruksjonene og advarslene som finnes i dem er ikke erstatninger for passende ulykkesforebyggende tiltak.

**⚠ ADVARSEL:** Sørg for å lese og forstå alle sikkerhetsanvisningene i denne bruksanvisningen, inkludert alle sikkerhetsvarselssymboler så som «FARE», «ADVARSEL» og «FORSIKTIG» før du bruker dette verktøyet. Hvis du ikke følger alle instruksjonene nedenfor, kan det føre til elektriske støt, brann og/eller alvorlig personskade.

### SYMBOLFORKLARINGER

**⚠ SIKKERHETSSYMBOL:** Indikerer FARE, ADVARSEL eller FORSIKTIG. Kan brukes sammen med andre symboler eller piktogrammer.



**⚠ ADVARSEL:** Bruk av hvilke som helst elektroverktøy kan føre til at fremmedlegemer blir kastet mot øynene, og dette kan føre til alvorlig øyeskader. Før du begynner å bruke elektroverktøyet, skal du alltid bruke vernebriller eller vernebriller med sidebeskyttelse, og en full ansiktsskjerm der det trengs. Vi anbefaler en Wide Vision Safety Mask til bruk over briller, eller standard vernebriller med sidebeskyttelse.

## SIKKERHETSINSTRUKSJONER

Denne siden viser og beskriver sikkerhetssymboler som finnes på produktet. Les, forstå og følg alle instruksjoner på maskinen før begynner montering og bruk.

	Sikkerhetsvarsel	Indikerer fare for mulig personskade.
	Les bruker manualen.	For å redusere risikoen for skader, må brukeren lese og forstå bruksanvisningen før produktet brukes.
	Bruk hørselsvern og vernebriller	Bruk alltid vernebriller eller vernebriller med sidebeskyttelse, og full ansiktsskjerm når du bruker dette produktet.
	Bladlengde på kantklipperen	Bladlengde på kantklipperen
	Hold tilskuere på trygg avstand	Avstanden mellom maskinen og tilskuere skal være minst 15 m.
	Retning på rotasjonen av knivbladet	Angir retning på rotasjonen av knivbladet.
	Ukontrollerte objekter	Kontroller nøye området der maskinen skal brukes, og fjern alle steiner, pinner, tråder, bein og andre fremmedlegemer.
	Bruk verneskotøy	Bruk sklisikre vernesko når du bruker utstyret.
	Roterende knivblad	Unngå å plassere hender eller føtter under eller i nærheten av roterende deler.
	Hold tilstrekkelig avstand til elektriske kraftledninger	For å forhindre elektrisk støt må apparatet ikke brukes nærmere enn 15 m fra ledningsstrek over bakken. Kontakt med eller bruk i nærheten av kraftlinjer kan forårsake alvorlige skader eller dødelig elektrisk sjokk.
	CE	Dette produktet er utformet i tråd med gjeldende EC-direktiver.
	UKCA	Dette produktet er i samsvar med gjeldende britisk lovgivning.

	WEEE	Elektrisk avfall må ikke kastes sammen med vanlig husholdningsavfall. Må avleveres på en godkjent gjenvinningsstasjon.
	Støy	Garantert lydeffektiv. Støy i omgivelsene er i henhold til EUs direktiv.
V	Volt	Spenning
mm	Millimeter	Lengde eller størrelse
cm	Centimeter	Lengde eller størrelse
kg	Kilogram	Vekt
	Likestrøm	Strømtype

#### GENERELLE MASKINSIKKERHETSADVARSLER

**⚠ ADVARSEL:** Les alle sikkerhetsadvarsler, instruksjoner, illustrasjoner og spesifikasjoner som følger med denne maskinen. Unnlattelse av å følge alle instruksjonene nedenfor kan føre til elektrisk støt, brann og/eller alvorlig skade.

#### LAGRE ALLE ADVARSLER OG INSTRUKSJONER FOR FREMTIDIG REFERANSE.

Begrepet "maskin" i advarslene refererer til din nettdrevne (med ledning) maskin eller batteridrevne (trådløse) maskin.

#### SIKKERHET PÅ ARBEIDSOmrÅDET

- Hold arbeidsområdet rent og godt opplyst. Rotete eller mørke områder inviterer til ulykker.
- Ikke bruk maskiner i eksplosive atmosfærer, for eksempel i nærvær av brennbare væsker, gasser eller støv. Maskiner lager gnister som kan antenne støv eller røyk.
- Hold barn og tilskuere unna mens du bruker en maskin. Distraksjoner kan føre til at du mister kontrollen.

#### ELEKTRISK SIKKERHET

- Maskinpluggene må passe til stikkontakten. Modifiser aldri støpselet på noen måte. Ikke bruk noen adapterplugg med jordede (jordede) maskiner. Umodifiserte støpsler og matchende stikkontakter vil redusere risikoen for elektrisk støt.
- Unngå kroppskontakt med jordete overflater som rør, radiatorer, komfyrer og kjøleskap. Det er økt risiko for elektrisk støt hvis kroppen din er jordet.

- Ikke bruk maskinen i regn eller under våte forhold. Vann som kommer inn i maskinen kan øke risikoen for elektrisk støt eller funksjonsfeil som kan føre til personskade.
- Ikke utsett ledningen for feil behandling. Bruk aldri ledningen til å bære, trekke eller koble fra maskinen. Hold ledningen unna varme, olje, skarpe kanter eller bevegelige deler. Skadede eller sammenfiltrede ledninger øker risikoen for elektrisk støt.
- Når du bruker en maskin utendørs, bruk en skjøteledning som er egnet for utendørs bruk. Bruk av en ledning egnet for utendørs bruk reduserer risikoen for elektrisk støt.
- Hvis det er uunngåelig å bruke en maskin på et fuktig sted, bruk en jordfeilbryter (GFCI) beskyttet forsyning. Bruk av en GFCI reduserer risikoen for elektrisk støt.

#### PERSONLIG SIKKERHET

- Vær på vakt, se hva du gjør og bruk sunn fornuft når du bruker en maskin. Ikke bruk en maskin mens du er trøtt eller påvirket av narkotika, alkohol eller medisiner. Et øyeblikks uoppmerksomhet under bruk av maskiner kan føre til alvorlig personskade.
- Bruk personlig verneutstyr. Bruk alltid vernebriller. Verneutstyr som støvmaske, skliskre vernesko, hjelm eller hørselsvern når omgivelsene krever det, reduserer risikoen for personskader.
- Forhindre utilsiktet start. Sørg for at bryteren er i av-posisjon før du kobler til strømkilden og/eller batteripakken, plukker opp eller bærer maskinen. Å bære maskiner med fingeren på bryteren eller energigivende maskiner som har bryteren på, inviterer til ulykker.
- Fjern eventuell justeringsnøkkel eller skiftenøkkel før du slår på maskinen. En skiftenøkkel eller en nøkkel som er festet til en roterende del av maskinen kan føre til personskade.
- Ikke overdriv. Hold riktig fofeste og balanse til enhver tid. Dette gir bedre kontroll over maskinen i uventede situasjoner.
- Kle deg skikkelig. Ikke bruk løstsittende klær eller smykker. Hold hår og klær på avstand fra bevegelige deler. Løse klær, smykker eller langt hår kan sette seg fast i bevegelige deler.
- Hvis det leveres enheter for tilkobling av støvavsug og oppsamlingsanlegg, sørg for at disse er tilkoblet og riktig brukt. Bruk av støvoppsamling kan redusere støvrelaterte farer.

NO

- Ikke la kjennskap oppnådd ved hyppig bruk av maskiner tillate deg å bli selvtilfreds og ignorere maskinsikkerhetsprinsipper. En uforsiktig handling kan forårsake alvorlig skade i løpet av en brøkdell av et sekund.

## MASKINBRUK OG -VEDLIKEHOLD

- Ikke tving maskinen. Bruk riktig maskin for din applikasjon. Riktig maskin vil gjøre jobben bedre og sikrere med den hastigheten den ble designet for.
- Ikke bruk maskinen hvis bryteren ikke slår den av og på. Enhver maskin som ikke kan kontrolleres med bryteren er farlig og må repareres.
- Koble støpselet fra strømkilden og/eller fjern batteripakken, hvis den kan tas av, fra maskinen før du foretar justeringer, skifter tilbehør eller oppbevarer maskiner. Slike forebyggende sikkerhetstiltak reduserer risikoen for å starte maskinen ved et uhell.
- Oppbevar inaktive maskiner utilgjengelig for barn og la ikke personer som ikke er kjent med maskinen eller disse instruksjonene bruke maskinen. Maskiner er farlige i hendene på utrente brukere.
- Vedlikeholde maskiner og tilbehør. Sjekk for feiljustering eller binding av bevegelige deler, brudd på deler og andre forhold som kan påvirke maskinens drift. Hvis den er skadet, få maskinen reparert før bruk. Mange ulykker er forårsaket av dårlig vedlikeholdte maskiner.
- Hold skjæremaskiner skarpe og rene. Riktig vedlikeholdte skjæremaskiner med skarpe skjærekanter har mindre sannsynlighet for å binde seg og er lettere å kontrollere.
- Bruk maskinen, tilbehør og maskinbits etc. i samsvar med disse instruksjonene, og ta hensyn til arbeidsforholdene og arbeidet som skal utføres. Bruk av maskinen til andre operasjoner enn de tiltenkte kan føre til en farlig situasjon.
- Hold håndtak og gripeflater tørre, rene og fri for olje og fett. Glatte håndtak og gripeflater tillater ikke sikker håndtering og kontroll av maskinen i uventede situasjoner.

## BRUK OG VEDLIKEHOLD AV BATTERIMASKIN

- Lad kun med laderen spesifisert av produsenten. En lader som er egnet for én type batteripakke kan skape brannfare når den brukes med en annen batteripakke.
- Bruk kun maskiner med spesifikt utpakte batteripakker. Bruk av andre batteripakker kan skape risiko for skader og brann.

- Når batteriet ikke er i bruk skal det holdes unna andre metallgjenstander som binders, mynter, nøkler, spikere, skruer eller andre små metallgjenstander som kan lage forbindelse fra én terminal til en annen. Kortslutning av batteripolene kan forårsake brannskader eller brann.
- Under farlige forhold kan væske komme ut av batteriet. Unngå kontakt med denne. Hvis kontakt oppstår ved et uhell, skyll med vann. Får du væske i øynene, skal det i tillegg søkes medisinsk hjelp. Væske som blir slynget ut av batteriet, kan forårsake iritasjon eller brann.
- Ikke bruk en batteripakke eller maskin som er skadet eller modifisert. Skadde eller modifiserte batterier kan oppføre seg uforutsigbart og medføre brann, eksplosjon eller risiko for personskade.
- Ikke utsett en batteripakke eller maskin for brann eller høy temperatur. Eksponering for ild eller temperaturer over 130 °C kan forårsake eksplosjon.
- Følg alle ladeinstruksjoner og ikke lad batteripakken eller maskinen utenfor temperaturområdet spesifisert i instruksjonene. Feil lading eller ved temperaturer utenfor spesifisert område kan skade batteriet og øke risikoen for brann.

## VIKTIGE SIKKERHETSINSTRUKSJONER

**⚠ ADVARSEL:** Når du bruker trimmere, må du alltid følge grunnleggende sikkerhetsregler for å redusere risikoen for brann, elektrisk støt og personskade, inkludert følgende:

### LES NØYE FØR BRUK

### BEHOLD FOR SENERE BRUK

**⚠ FARE:** Ikke stol på verktøyet isolasjon mot elektrisk sjokk. For å redusere risikoen for elektriske støt, skal maskinen aldri brukes i nærheten av ledninger eller kabler (strøm, osv.) som kan være strømsatte.

**⚠ FORSIKTIG:** Bruk egnet personlig hørselsvern under bruk. Under visse forhold til og brukslengder, kan støy fra dette produktet bidra til hørselstap.

### Trening

- Les instruksene nøye. Vær fortrolig med betjeningsinstrumentene og riktig bruk av maskinen.
- La aldri folk som ikke er kjent med disse instruksjonene, eller barn, bruke maskinen. Lokale regelverk kan ha krav til aldersgrense for operatøren.
- Unngå bruk av kantskjæreren mens det er personer og særlig barn eller kjæledyr i nærheten.
- Husk at operatøren er ansvarlig for skade som skjer andre folk eller gjenstander.

NO

## Forberedelse

- Under skjæringen skal du alltid bruke vernebriller og hørselsvern, solid fotteøy og lange bukser.
- Kontroller nøye området der maskinen skal brukes, og fjern alle steiner, pinner, tråder, bein og andre fremmedlegemer.
- Før bruk må du alltid sjekke at knivblad, skruer og skjæretilbehør ikke er slitt eller ødelagt. Bytt ut alle slitte og ødelagte knivblad og skruer samtidig for å få en jevn funksjon.

## Drift

- Bruk skjæreren bare i dagslys eller med god kunstig belysning.
- Sørg alltid for å ha god fotfeste i hellende terreng.
- Bare gå, ikke løp.
- Vær ekstremt forsiktig når du rygger eller trekker produktet mot deg.
- Pass på at knivbladet har stoppet før du krysser områder som ikke er gress, og når du frakter kantskjæreren til ulike steder.
- Kantskjæreren må ikke brukes dersom bladvern er defekte, ikke finnes eller ikke er montert riktig.
- De automatiske motorinnstillingene må ikke manipuleres, og motoren må ikke kjøres på for høy hastighet.
- Slå motorbryteren forsiktig på i henhold til instruksjoner, og hold føttene på god avstand fra knivbladet.
- Ikke la den stå på skrå når du slår på motoren, med mindre kantskjæreren må vippes for å starte. I dette tilfellet, må du ikke vippe den mer enn absolutt nødvendig, og løft kun den delen som er adskilt fra brukeren.
- Unngå å starte motoren dersom en tilskuere befinner seg foran knivbladet.
- Unngå å plassere hender eller føtter under eller i nærheten av roterende deler.
- Slå alltid av motoren og koble fra batteriet:
  - 1) Før du fjerner en blokkering
  - 2) Før du kontrollerer, rengjør eller arbeider med knivbladet
  - 3) Når du har støtt på et fremmedlegeme  
Undersøk om det er skader på knivbladet, og utfør reparasjoner før du starter og bruker kantskjæreren igjen.
  - 4) Hvis kantskjæreren begynner å vibrere på en unormal måte (sjekkes umiddelbart).
- Stopp motoren hver gang du forlater kantskjæreren.
- Ikke lad batteripakken i regn eller på våte steder.
- Bruk kun med batteripakker og ladere som oppført i fig. A

- Batteripakken må fjernes fra apparatet før det kasseres.
- Batteriet skal avhendes på en sikker måte.
- Ikke kast batteriet i ild. Cellene kan eksplodere. Sjekk de lokale forskriftene for avhending av batterier.
- Ikke åpne eller skad batteriet. Elektrolytter som avgis er etsende, og kan forårsake skade på øyne og hud. Kan være giftig ved svelging.
- Vær forsiktig når du håndterer batterier, slik at du ikke kortslutter batteriet med ledende materialer så som ringer, armbånd og nøkler. Batteriet eller lederen kan bli overopphetet og forårsake brannskader.
- Batteriverktøy trenger ikke å være koblet til et strømuttak; derfor er de alltid klare til bruk. Vær oppmerksom på mulige farer, selv når verktøyet ikke er i drift. Vær forsiktig når du utfører vedlikehold eller service.
- Ikke vask med hageslange; unngå å få vann i motoren og i elektriske kontakter.

## Vedlikehold og oppbevaring

- Sørg for at alle mutrer, bolter og skruer er godt festet så produktet fungerer sikkert.
- Skift ut slitte eller ødelagte deler.
- Ikke prøv å reparere verktøyet med mindre du har kompetanse til det.
- Bruk bare reservedeler og tilbehør som anbefales av produsenten.
- Koble verktøyet fra batteriet før du utfører vedlikehold og rengjøring.
- Maskinen må etterses og vedlikeholdes regelmessig. Maskinen må repareres av et autorisert verksted.
- Når den ikke er i bruk, skal maskinen oppbevares utilgjengelig for barn.
- Hvis situasjoner oppstår som ikke er dekket i denne håndboken, må du utvise forsiktighet og god dømmekraft. Kontakt EGOs servicesenter for å få hjelp.
- Ta vare på disse instruksjonene. Slå gjerne opp i dem, og bruk dem som veiledning for andre som kan komme til å bruke verktøyet. Hvis du låner ut verktøyet til andre, må de også få tilgang til denne brukerveiledningen slik at feilbruk av produktet og eventuelle påfølgende skader kan unngås.

## TA VARE PÅ DISSE INSTRUKSJONENE!

**MERK: SE HÅNDBOKEN TIL VERKTØYHODET FOR ANDRE OG MER SPESIFIKKE REGLER OM SIKKERHET.**

NO

## SPESIFIKASJONER

Bladlengde	20 cm	
Skjæredybde	Opptil 75 mm	
Vekt	2,26 kg	
Driftstemperatur	-15°C - 40°C	
Lagringstemperatur	-20°C – 70°C	
Målt lydeffektnivå $L_{WA}$	92,4 dB(A) K=2,07 dB(A) (PH1400E)	
	90,7 dB(A) K=1,46 dB(A) (PH1420E)	
	90 dB(A) K=1,3 dB(A) (PHX1600)	
Lydtryknivå ved brukerens øre $L_{PA}$	79,8 dB(A) K=3 dB(A) (PH1400E)	
	81,2 dB(A) K=3 dB(A) (PH1420E)	
	84 dB(A) K=3 dB(A) (PHX1600)	
Garantert lydeffektnivå $L_{WA}$ (målt i henhold til 2000/14/EC)	95 dB(A)	
Vibrasjon $a_h$	Fremre hjelpehåndtak	1,2 m/s <sup>2</sup> K=1,5 m/s <sup>2</sup> (PH1400E)
		1,95 m/s <sup>2</sup> K=1,5 m/s <sup>2</sup> (PH1420E)
		1,6 m/s <sup>2</sup> K=1,5 m/s <sup>2</sup> (PHX1600)
	Bakre håndtak	2,2 m/s <sup>2</sup> K=1,5 m/s <sup>2</sup> (PH1400E)
		1,66 m/s <sup>2</sup> K=1,5 m/s <sup>2</sup> (PH1420E)
		1,53 m/s <sup>2</sup> K=1,5 m/s <sup>2</sup> (PHX1600)

NO

Parametrene over er testet og målt sammen med verktøyhodet PH1400E/PH1420E/PHX1600;

- Den deklarerte totale vibrasjonsverdien er målt i overensstemmelse med en standard testmetode, og kan brukes til å sammenligne ett verktøy med et annet;
- Den deklarerte totale vibrasjonsverdien kan også brukes i en foreløpig vurdering av eksponering.

**MERK:** Vibrasjoner under faktisk bruk av elektroverktøyet kan variere fra den opplyste verdien der verktøyet brukes; For å beskytte brukeren, skal det brukes hansker og hørselsvern under de faktiske bruksforholdene.

## PAKKELISTE

NAVN PÅ DEL	MENGDE
Kantskjærer (tilbehør)	1
Unbraconøkkel	1
Flerbruksnøkkel	1
Låsekile	2
Bruksanvisning	1

## Anbefalt knivblad

NAVN PÅ DEL	MODELLNUMMER
Kantblad	AEB0800

## BESKRIVELSE

### BLI KJENT MED KANTSKJÆREREN (Fig. A)

1. Endekapsel
2. Skaft til kantskjærer
3. Bladvern
4. Knivblad
5. Dybdereguleringsknott
6. Føringshjul
7. Unbraconøkkel
8. Flerbruksnøkkel
9. Dybdereguleringsknott
10. Smussklaff
11. Låsekile
12. Skruer til å låse fast føringsplaten
13. Føringsplate



## -ENHET

**⚠ ADVARSEL:** Hvis noen av delene er skadet eller mangler, må du ikke bruke dette produktet før delene er skiftet ut. Bruk av dette produktet med skadede eller mangler deler kan føre til alvorlig personskade.

**⚠ ADVARSEL:** Ikke forsøk å modifisere dette produktet eller lage tilbehør som ikke er anbefalt for bruk med denne gresstrimmeren. Enhver slik endring eller modifisering er misbruk, og kan føre til farlige situasjoner og mulige alvorlige personskader

**⚠ ADVARSEL:** For å forhindre utilsiktet start som kan forårsake alvorlig personskade, må du alltid fjerne batteripakken fra maskinen når du monterer deler.

**⚠ ADVARSEL:** Bruk alltid hansker når du monterer eller bytter beskyttelse. Legg merke til hvor knivbladet er på bladvernet, og beskytt hendene dine så de ikke blir skadet.

**⚠ ADVARSEL:** Aldri bruk maskinen uten at vernet er godt på plass. Vekten må alltid være på maskinen for å beskytte brukeren! Når bladvernet sitter fast, må du ikke forsøke å fjerne eller justere det. Hvis det trengs å byttes, må dette gjøres av en kvalifisert fagperson!

### MONTERE KANTSKJÆREREN PÅ VERKTØYHODET

Denne kantskjæreren er beregnet til å brukes med EGO 56 V verktøyhode med litium-ionbatteri med benevnelsen PH1400E/PH1420E/PHX1600.

Se avsnittet "MONTERE TILBEHØR PÅ VERKTØYHODET" i håndboken for PH1400E/PH1420E/PHX1600.

## DRIFT

**⚠ ADVARSEL:** Ikke la fortrolighet med dette produktet gjøre deg uforsiktig. Husk at et uforsiktig tiendedel av et sekund er nok til å forårsake alvorlige skader.

**⚠ ADVARSEL:** Bruk alltid vernebriller med sidebeskyttelse. Sammen med hørselsvern. Unnlattelse av å gjøre dette kan resultere i at gjenstander som blir kastet kommer inn i øynene, og andre mulige og alvorlige skader.

### BRUKSOMRÅDER

Du kan bruke dette produktet til de formålene som er oppført nedenfor:

- Kantklipping og opprydning rundt gangveier, blomsterbed og liknende områder.

**MERK:** Verktøyet skal bare brukes til sitt foreskrevne formål. All annen bruk er feil.

### Før hver bruk skal det sjekkes etter skadede/slitte deler

Sjekk støthodet, skjermen og det fremre hjelpehåndtaket, og bytt de delene som har sprekker, er vridd, bøyd eller skadet på noen måte.

**⚠ ADVARSEL:** For å unngå alvorlig personskade må batteripakken tas ut før service, rengjøring, bytte av tilbehør eller når du fjerner fremmedlegemer fra verktøyet.

### BRUKE KANTSKJÆREREN MED VERKTØYHODET

**⚠ ADVARSEL:** Kle deg riktig for å redusere risikoen for skader når du bruker dette verktøyet. Ikke bruk løstsittende klær eller smykker. Bruk vernebriller og øre-/hørselsvern. Bruk solide og lange bukser, støvler og hansker. Ikke bruk korte bukser eller sandaler, og ikke gå barbert. Bruk en ansiktsmaske eller støvmaske i støvete omgivelser.

**⚠ ADVARSEL:** Fjern alle hindringer og gjenstander fra arbeidsområdet.

For sikker og bedre drift bør remmen legges over skulderen. Juster skulderremmen så du får en behagelig arbeidsstilling.

Hold alltid kantskjæreren med høyre hånd på det bakre håndtaket og venstre hånd på det fremre hjelpehåndtaket. Hold et fast grep med begge hender når du bruker verktøyet. Kantskjæreren skal holdes i en behagelig stilling med det bakre håndtaket omtrent i hofte høyde (Fig. B).

**⚠ ADVARSEL:** Skulderremmen er også en kjapp utløsermekanisme i farlige situasjoner. Når en nødssituasjon oppstår, ta apparatet av skulderen umiddelbart, uansett hvordan remmen er satt inn.

### Kantskjæreren skal rengjøres hver gang den har vært brukt.

Se avsnittet VEDLIKEHOLD for rengjøringsinstrukser.

### JUSTERE SKJÆREDYBDEN

1. Stopp motoren og ta ut batteripakken.
2. Løsne dybdereguleringsknotten ved å skru i retning pilen som markerer opplåst posisjon (Fig. C).
3. Flytt føringshjulet sammen med styreskinnen for dybderegulering; oppover for å øke skjæredybden og nedover for å minske den (Fig. D).

NO

- Reguler føringshjulet slik at knivbladet berører bakken eller bare går 5 mm ned i overflaten (Fig. E), før du fester den skikkelig.
- Stå i vanlig arbeidsstilling og sjekk skjæredybden igjen og korreger hvis nødvendig.

## STARTE/STOPPE VERKTØYET

Se avsnittet "STARTE/STOPPE VERKTØYHODET" i håndboken for PH1400E/PH1420E/PHX1600.

## TIPS FOR BETJENING

- Hold og styr verktøyhodet slik at knivbladet står vertikalt. Bruk sikttinjen til å justere knivbladet så det er på linje med kanten av bedet (Fig. F).
- Må bare betjenes i normal gåshastighet. Hvis knivbladet synker ned i underlaget er du for rask, så ro ned farten!
- Gå alltid forover når du kutter og flytter kantskjæreren foran deg. Du skal ikke dra kantskjæreren mot deg.
- Unngå å tvinge knivbladet ned i bakken. Lett kontakt mellom knivblad og kanten på gangveien eller fortauet er helt i orden, og vil ikke skade kantskjæreren.
- Du får best resultat når gresset er tørt. Unngå kantskjæring når jorda eller gresset er vått, hvis ikke kan bladvernet bli tilstoppet og gjøre kanten ujevn. Hvis bladvernet tilstoppes, stanser du motoren, tar ut batteripakken og fjerner rusk og rask fra bladvernet.

NO

## VEDLIKEHOLD

**⚠ ADVARSEL:** Før du etterser, rengjør eller vedlikeholder verktøyet, må du stoppe motoren, vente på at alle deler har stanset, og så ta ut batteripakken. Hvis du ikke følger disse instruksjonene, kan det resultere i alvorlig personskade eller skade på eiendeler.

**⚠ ADVARSEL:** Ved service skal det bare brukes originale reservedeler. Inspiser og vedlikehold maskinen regelmessig. For sikre både sikkerheten og påliteligheten, skal alle reparasjoner utføres av en kvalifisert servicetekniker.

## GENERELT VEDLIKEHOLD

Unngå å bruke løsemidler når plastdeler skal rengjøres. De fleste plasttyper kan ta skade av ulike typer løsemidler som er i salg, og kan dermed bli ødelagt. Bruk rene kluter for å fjerne skitt, støv, olje, fett, etc.

## RENGJØRING AV ENHETEN

- Etter hver gangs bruk fjerner du rusk og rask, jordklumper eller gress fra knivbladet og bladvernet med en myk børste. Tørk av kantskjæreren overflater med en ren klut, fuktet med mildt såpevann.

- Bruk en liten pensel eller luftutslippet fra en liten støvsugerbørste til å holde luftventilene fri for hindringer på det bakre huset.

**MERK:** Ikke bruk sterke vaskemidler på plasthuset eller håndtaket. De kan bli skadet av visse aromatiske oljer, slik som furu og sitron.

## BYTTING AV KNIVBLAD

**⚠ ADVARSEL:** Unngå å rette ut eller sveise et knivblad som er bøyd eller sprukket – da kan det brette. Må byttes. Vi anbefaler at det bare erstattes med et EGO-knivblad. Se avsnittet "Anbefalt knivblad".

**MERK:** Bytt knivbladet dersom lengden ikke lenger er tilstrekkelig til å opprettholde den nødvendige avstanden til bakken og få nødvendig skjæredybde.

**⚠ ADVARSEL:** Beskytt alltid hendene med kraftige hansker eller ved å pakke inn knivbladet i filler eller annet materiale når du utfører vedlikehold på knivbladet.

## Fjerne knivbladet

- Stopp motoren og ta ut batteripakken.
- Legg kantklipperen på ryggen slik at knivbladet vender opp.
- Bruk vernehansker. Bruk en spiss tang (følger ikke med) for å fjerne låsekilen fra motorakselen (Fig. G).
- Roter knivbladet så spalten i flensen er på linje med hullet i girkassen (Fig. G).

Se Fig. G under for beskrivelse av delene:

G-1	Låsekile
G-2	Indre flens
G-3	Girkasse

- Sett unbraconøkkelen som følger med, inn i tilhørende hull for å stabilisere. Bruk den medfølgende flerbruksnøkkelen til å løse mutteren i retning **MED KLOKKEN** (Fig. H).
- Fjern mutter, ytre flens, knivblad og indre flens fra motorakselen (Fig. I). Etterse dem og bytt deler hvis de er slitt.

Se Fig. I under for beskrivelse av delene:

I-1	Motoraksel	I-5	Blad
I-2	Indre flens	I-6	Ytre flens
I-3	Spalte i indre flens	I-7	Mutter
I-4	Utbuling på indre flens	I-8	Låsekile

## Montere knivbladet

1. Plasser indre flens på motorakselen med utbulingen vendt utover (Fig. I).
2. Monter det nye knivbladet på indre flens, og pass på at det blir festet ordentlig (Fig. J).
3. Monter ytre flens og mutter på akselen, og stram mutteren til midlertidig for hånd i retning **MOT KLOKKEN**.
4. Følg trinn 4 og 5 under "Fjerne knivbladet" for å stabilisere bladet og stramme mutteren ordentlig til i retning **MOT KLOKKEN**.
5. Sett inn en ny låsekile i hullet på motorakselen. Bøy de to beina i kilen i hver sin retning ved hjelp av en spiss tang (følger ikke med) (Fig. G).

#### BYTTE FØRINGSHJUL

1. Stopp motoren og ta ut batteripakken.
2. Legg kantklipperen på ryggen slik at føringshjulet vender opp.
3. Løsne dybdereguleringsknotten i retning pilen som markerer opplåst posisjon, og ta den av.
4. Ta av fjærskive, underlagsskive 1, føringshjul, hylse og underlagsskive 2 fra skrueripinnen (Fig. K). Etterse dem og bytt deler hvis de er slitt.
5. Sett først skrueripinnen i styreskinne for dybderegulering, og monter så underlagsskive 2, hylse og nytt hjul før du monterer underlagsskive 1, fjærskive og dybdereguleringsknott på skrueripinnen i den rekkefølgen som er vist i Fig. K.

Se Fig. K under for beskrivelse av delene:

K-1	Dybd-ereg-uleri-ngs-knott	K-5	Hylse
K-2	Fjærskive	K-6	Underlagsskive 2
K-3	Underlagsskive 1	K-7	Skrueripinne
K-4	Føringshjul	K-8	Styreskinne for dybderegulering

**MERK:** Styrehjulet skal monteres med de flate rillene vendt innover (Fig. L).

Se Fig. L under for beskrivelse av delene:

L-1	Skruer	L-3	Smussklaff
L-2	Flat rille	L-4	Festebrett

6. Lås dybdereguleringsknotten.

#### BYTTE SMUSSKLAFFEN (Fig. L)

1. Stopp motoren og ta ut batteripakken.
2. Bruk den medfølgende unbraconøkkel til å løsne de to skruene.

3. Fjern skruene, festebrettet og den slitte smussklaffen.
4. Erstattes med en ny smussklaff som låses med festebrettet og de to skruene.

#### ETTERSE OG BYTTE UT BESKYTTELSE/FØRINGSPLATE (Fig. M)

Sjekk om det skulle være skader på beskyttelsen eller føringsplaten før du starter elektroverktøyet. Beskyttelsen må erstattes så snart girkassen blir synlig.

**MERK:** Girkassen kan bli svært ødelagt hvis du ikke bytter beskyttelsen så snart girkassen blir synlig.

1. Stopp motoren og ta ut batteripakken.
2. Bruk vernehansker. Roter knivbladet etter behov for å eksponere de to skruene.
3. Bruk den medfølgende unbraconøkkel til å løsne og ta ut de to skruene.

**MERK:** Hvis du bare trenger å bytte føringsplaten, kan du løsne og fjerne bare skruer 1.

4. Erstatt den deformerte eller slitte slitasjeskyttelsen/føringsplaten.
5. Sett den nye slitasjeskyttelsen og føringsplaten på girkassen og lås dem fast med de to skruene.

Se Fig. M under for beskrivelse av delene:

M-1	Skruer 1	M-4	Slitasjeskyttelse
M-2	Føringsplate	M-5	Monteringshull
M-3	Skruer 2	M-6	Girkasse

#### FJERNE FØRINGSPLATEN

Hvis du er godt kjent med denne typen kantskjærer eller synes føringsplaten er til hinder når du skal bruke verktøyet, kan du ta den av.

1. Løsne og ta ut skruer 1.
2. Fjern føringsplaten.
3. Sett skruer 1 på igjen og stram den.

#### SMØRING AV GIRDREVT

Girdrevet i girkassen må smøres med jevne mellomrom med girolje. Sjekk nivået på oljen i girkassen ca. hver 50. driftstunde ved å ta av forseglingsskruen på siden av kassen.

Hvis du ikke ser noe olje langs sidene av giret, følger du trinnene under for å fylle girolje til 3/4 av kapasiteten.

Girdrevet må ikke fylles helt opp.

NO

1. Plasser kantklipperen i stående stilling slik at forseglingskruen vender opp (Fig. N).
2. Bruk den medfølgende flerbruksnøkkelen til å løsne og fjerne forseglingskruen. Bruk en oljesprøyte (følger ikke med) til å sprøyte inn olje i skruerhullet; ikke fyll opp mer enn 3/4.
3. Stram til forseglingskruen når du er ferdig.

## LAGRING AV ENHETEN

- Fjern batteripakken fra kantskjæreren.
- Rengjør verktøyet grundig før lagring.
- Hvis kantskjæreren tas av verktøyhodet og oppbevares separat, bør du sette endekapselen på tilbehøret for å unngå at det kommer skitt og rusk inn i koplingsstykket.
- Lagre enheten tørt og godt ventilert, låst inne eller høyt oppe, og utilgjengelig for barn. Ikke oppbevar enheten på eller nær gjødsel, bensin eller andre kjemikalier.

**NO**

## Beskytt miljøet



Ikke kast elektrisk utstyr, brukt batteri og lader i husholdningsavfallet! Ta dette produktet til en autorisert gjenvinner og gjør det tilgjengelig for separat innsamling. Elektriske maskiner må returneres til et miljøvennlig gjenvinningsanlegg.

## FEILSØKING

PROBLEM	ÅRSAK	LØSNING
Motoren starter ikke.	<ul style="list-style-type: none"> <li>■ Batteripakken er ikke satt inn i verktøyhodet.</li> <li>■ Ingen elektrisk kontakt mellom verktøyhodet og batteripakken.</li> <li>■ Batteripakken er tom.</li> <li>■ Knapp og utløseren ble ikke trykket inn samtidig.</li> </ul>	<ul style="list-style-type: none"> <li>■ Fest batteripakken til verktøyhodet.</li> <li>■ Fjern batteriet, sjekk kontakter og installer batteripakken igjen. Forsikre deg om at det låses på plass.</li> <li>■ Lad batteripakken med EGO-ladere som står oppført i denne håndboken.</li> <li>■ Trykk ned låseknappen og hold den nede i denne posisjonen. Trykk på utløseren for å slå på verktøyhodet.</li> </ul>
Verktøyhodet stopper å gå under bruk.	<ul style="list-style-type: none"> <li>■ Motoren er overbelastet.</li> <li>■ Batteripakken eller verktøyhodet er for opphetet.</li> <li>■ Batteripakken er frakoblet verktøyet.</li> <li>■ Batteripakken er utladet.</li> </ul>	<ul style="list-style-type: none"> <li>■ Motoren vil fungere igjen når lasten er fjernet. For kontinuerlig drift bør du minske belastningen på verktøyhodet.</li> <li>■ La batteripakken eller verktøyhodet kjøle seg ned til temperaturen kommer under 67°C.</li> <li>■ Installer batteripakken på nytt.</li> <li>■ Lad batteripakken med EGO-ladere som står oppført i denne håndboken.</li> </ul>
Ujevn kant	<ul style="list-style-type: none"> <li>■ Gress- eller jordkanten er for våt.</li> <li>■ Bladvernet er tilstoppet.</li> </ul>	<ul style="list-style-type: none"> <li>■ Unngå kantskjæring når jorda eller gresset er vått.</li> <li>■ Stopp motoren, ta ut batteripakken og fjern rusk og rask fra bladvernet.</li> </ul>

**NO**

## GARANTI

### EGOs GARANTIREGLER

Besøk nettsiden [egopowerplus.eu](http://egopowerplus.eu) for å se fullstendige vilkår og betingelser for EGO-garantireglene.

## ПРОЧИТАЙТЕ ВСЕ ИНСТРУКЦИИ!



**ВНИМАТЕЛЬНО ПРОЧИТАЙТЕ РУКОВОДСТВО ПОЛЬЗОВАТЕЛЯ.**

**⚠ ПРЕДУПРЕЖДЕНИЕ.** Чтобы обеспечить безопасность и надежность устройства, его ремонт и замену частей должны выполнять квалифицированный специалист.

## СИМВОЛЫ БЕЗОПАСНОСТИ

Символы безопасности предназначены для привлечения внимания к возможным рискам. Символы безопасности, а также объяснения к ним, требуют особого внимания и понимания. Предупреждения по технике безопасности сами по себе не устраняют опасность. Инструкции и предупреждения не заменяют соответствующие меры по предотвращению несчастных случаев.

RU

**⚠ ПРЕДУПРЕЖДЕНИЕ.** Перед использованием устройства внимательно прочитайте все инструкции в данном руководстве пользователя и ознакомьтесь с предупреждающими символами безопасности, такими как «ОПАСНОСТЬ», «ПРЕДУПРЕЖДЕНИЕ» и «ВНИМАНИЕ». Несоблюдение всех приведенных ниже инструкций может привести к поражению электрическим током, возникновению пожара и/или получению серьезных травм.

## ЗНАЧЕНИЕ СИМВОЛОВ

**⚠ ПРЕДУПРЕЖДАЮЩИЙ СИМВОЛ УВЕДОМЛЕНИЯ, ПРЕДУПРЕЖДЕНИЯ И ПРЕДОСТЕРЕЖЕНИЯ.** Может использоваться с другими символами или изображениями.



**⚠ ПРЕДУПРЕЖДЕНИЕ.** В результате работы электроинструмента в глаза могут попасть посторонние предметы, что приведет к серьезному повреждению глаз. Перед началом использования электроинструмента всегда надевайте защитную маску или защитные очки с боковыми щитками и полнопрофильную защитную маску (при необходимости). Поверх очков или стандартных защитных очков рекомендуется надевать маску Wide Vision Safety.

## ИНСТРУКЦИИ ПО ТЕХНИКЕ БЕЗОПАСНОСТИ

Далее приведено изображение и описание символов безопасности, которые могут присутствовать на данном устройстве. Перед сборкой или использованием внимательно прочитайте все инструкции, приведенные на устройстве, и соблюдайте их.

	Предупреждение об опасности	Указывает на потенциальную опасность получения травмы.
	Внимательно прочитайте руководство пользователя.	Чтобы уменьшить риск получения травм, перед использованием устройства необходимо прочитать и понять руководство по эксплуатации.
	Используйте средства защиты органов слуха и зрения.	При работе с данным устройством всегда используйте защиту для глаз или защитные очки с боковыми щитками и полнопрофильную защитную маску.
	Длина режущего элемента устройства для обрезки кромок	Длина режущего элемента устройства для обрезки кромок
	Не позволяйте посторонним лицам находиться поблизости	Расстояние между устройством и посторонними лицами должно составлять не менее 15 м.
	Направление вращения режущего элемента инструмента.	Указывает на направление вращения режущего элемента инструмента.
	Отбрасываемые предметы.	Тщательно осмотрите участок, где будет использоваться устройство, и уберите все камни, палки, провода, кости и другие посторонние предметы.
	Используйте надежную обувь.	При использовании устройства надевайте надежную нескользящую обувь.
	Вращающийся режущий элемент.	Держите руки и ноги подальше от вращающихся деталей.

	Сохраняйте безопасную дистанцию от линий электропередач.	Во избежание риска поражения электрическим током работайте на расстоянии не менее 15 м от линий электропередач. Контакт с линиями электропередач или использование устройства рядом с ними может привести к серьезной травме или смертельному поражению электрическим током.
	CE	Соответствует основным требованиям стандартов безопасности Европейских директив.
	UKCA	Данный продукт соответствует действующему законодательству Великобритании.
	WEEE	Неисправные электрические устройства нельзя выбрасывать вместе с бытовым мусором. Сдавайте их в авторизованные пункты сбора и утилизации.
	Шум	Гарантированный уровень звуковой мощности. Уровень шума в окружающей среде в соответствии с директивой ЕС.
V	Вольты	Напряжение
mm	Миллиметр	Длина или размер
cm	Сантиметр	Длина или размер
kg	Килограмм	Масса
	Постоянный ток	Тип или характеристика тока.

## ОБЩИЕ ПРАВИЛА ТЕХНИКИ БЕЗОПАСНОСТИ ПРИ ИСПОЛЬЗОВАНИИ УСТРОЙСТВА

**⚠ ПРЕДУПРЕЖДЕНИЕ.** Прочитайте все правила безопасности, инструкции, иллюстрации и спецификации, прилагаемые к этому устройству. Невыполнение изложенных ниже инструкций может привести к поражению электрическим током, пожару и (или) тяжелым травмам.

## СОХРАНИТЕ ВСЕ ПРЕДУПРЕЖДЕНИЯ И ИНСТРУКЦИИ ДЛЯ ИСПОЛЬЗОВАНИЯ В БУДУЩЕМ.

Термин «устройство» в предупреждениях означает электроинструмент с питанием от сети (с кабелем) или с питанием от аккумулятора (без кабеля).

## БЕЗОПАСНОСТЬ РАБОЧЕГО МЕСТА

- Обеспечьте чистоту и освещенность рабочего места. Загроможденные и плохо освещенные места служат причиной несчастных случаев.
- Не используйте устройство во взрывоопасных местах, например вблизи горючих жидкостей, газов или пыли. Устройство генерирует искры, которые могут воспламенить пыль или испарения.
- Не позволяйте детям и посторонним находиться вблизи работающего устройства. Отвлекающие факторы могут привести к потере контроля.

RU

## ЭЛЕКТРОТЕХНИЧЕСКАЯ БЕЗОПАСНОСТЬ

- Вилка устройства должна соответствовать розетке. Никогда не переделывайте вилку. Не используйте никакие переходники для вилок заземленных устройств. Использование оригинальных вилок и соответствующих им розеток уменьшает риск поражения электрическим током.
- Избегайте прикосновений к заземленным объектам, таким как трубы, радиаторы, плиты и холодильники. Риск поражения электрическим током выше, когда тело заземлено.
- Не эксплуатируйте устройство во время дождя или в условиях высокой влажности. Попадание воды внутрь устройства повышает риск поражения электрическим током и возникновения неисправностей, которые могут привести к травмам.
- Обращайтесь с кабелем аккуратно. Никогда не переносите, не тяните и не выключайте устройство за кабель. Держите кабель подальше от источников тепла, масла, острых предметов или движущихся частей. Поврежденные и запутанные кабели повышают риск поражения электрическим током.

- Для работы с устройством вне помещения используйте предназначенный для этого удлинительный кабель. Использование кабеля, подходящего для использования вне помещения, снижает риск поражения электрическим током.
- Если использование устройства в сыром месте неизбежно, подключайте его через выключатель короткого замыкания на землю (ВКЗЗ). Использование ВКЗЗ уменьшает риск поражения электрическим током.

## ЛИЧНАЯ БЕЗОПАСНОСТЬ

- При использовании устройства будьте бдительны, следите за своими действиями и следуйте здравому смыслу. Не пользуйтесь устройством, если вы устали или находитесь под воздействием наркотиков, алкоголя или медикаментов. Даже кратковременная невнимательность при работе с устройством может привести к тяжелым травмам.
- Используйте средства индивидуальной защиты. Всегда используйте защитные средства для глаз. Защитное оборудование, такое как противопылевая маска, несколько пар предохранительная обувь, жесткая каска или устройства защиты органов слуха в соответствующих условиях уменьшает риск травмирования.
- Не допускайте непредвиденных запусков. Перед подключением устройства к сети питания (или аккумулятору) и перед его переноской убедитесь, что выключатель находится в выключенном положении. Не держите палец на выключателе при переноске устройства и не подключайте к источнику питания, если устройство включено. Это может привести к несчастному случаю.
- Перед включением устройства снимите с него регулировочные инструменты и гаечные ключи. Регулировочный инструмент или гаечный ключ, оставленный на вращающейся части устройства, может стать причиной травмы.
- Не тянитесь. Всегда сохраняйте устойчивое положение и равновесие. Это позволит лучше контролировать устройство в непредвиденных ситуациях.
- Одевайтесь надлежащим образом. Не надевайте свободную одежду и украшения. Держите волосы и одежду подальше от движущихся частей. Свободная одежда, украшения и длинные волосы могут попасть в движущиеся части.

- При наличии устройств для отвода и сбора пыли убедитесь, что они подключены и правильно работают. Использование пылеулавливающих устройств снижает вред, причиняемый пылью.
- Не допускайте небрежности, которая может возникнуть из-за частого использования устройства и повлечь за собой самоуверенность и игнорирование правил безопасности. Неосторожное действие может причинить серьезную травму за доли секунды.

## ИСПОЛЬЗОВАНИЕ И ОБСЛУЖИВАНИЕ УСТРОЙСТВА

- Не прилагайте к устройству чрезмерных усилий. Используйте подходящее для ваших задач устройство. Правильно выбранное устройство более эффективно и безопасно при номинальной нагрузке.
- Не используйте устройство, если его выключатель неисправен. Устройство с неисправным выключателем опасно и подлежит ремонту.
- Перед регулировкой, сменой аксессуаров или хранением отключите устройство от сети питания и (или) извлеките аккумулятор, если это возможно. Такие меры предосторожности уменьшают риск случайного запуска устройства.
- Храните неиспользуемое устройство в недоступном для детей месте и не доверяйте устройство лицам, не знакомым с ним и с этими инструкциями. Такие устройства опасны в руках неподготовленных пользователей.
- Выполняйте техническое обслуживание устройства и принадлежностей. Проверьте выравнивание и сцепление подвижных деталей, наличие поломок и прочие условия, которые могут повлиять на работу устройства. Если устройство повреждено, перед использованием его необходимо отремонтировать. Многие несчастные случаи вызваны неправильным техобслуживанием устройств.
- Храните режущие устройства в чистоте и заточенном состоянии. Правильно обслуживаемые и хорошо заточенные режущие устройства меньше заклинивают и лучше контролируются.
- Используйте устройство, аксессуары, насадки и т. п. в соответствии с этими инструкциями, учитывая условия и специфику выполняемой работы. Использование устройства для выполнения непредусмотренных операций может привести к опасным ситуациям.



- Следите за тем, чтобы рукоятки и поверхности захвата были сухими и чистыми и на них не было масла или смазочного материала. Скользкие рукоятки и поверхности захвата не позволяют безопасно использовать устройство и контролировать его в непредвиденных ситуациях.

## ЭКСПЛУАТАЦИЯ И ОБСЛУЖИВАНИЕ АКУМУЛЯТОРНОГО УСТРОЙСТВА

- Заряжайте аккумуляторы только с помощью зарядного устройства, указанного изготовителем. Зарядное устройство, предназначенное для одного типа аккумуляторных батарей, может стать причиной пожара при использовании с другим типом батарей.
- Используйте устройство только со специально предназначенными для него аккумуляторами. Использование любого другого вида аккумуляторных батарей может стать причиной несчастных случаев или пожара.
- Когда аккумулятор не используется, храните его отдельно от металлических предметов — канцелярских скрепок, монет, ключей, гвоздей, винтов и др. — они могут соединить контакты. Короткое замыкание контактов аккумуляторной батареи может стать причиной ожогов или пожара.
- При неблагоприятных обстоятельствах из аккумулятора может потечь электролит; избегайте контакта с ним. При случайном контакте промойте водой. Если жидкость попала в глаза, обратитесь к врачу. Жидкость из аккумуляторной батареи может вызвать раздражение и ожоги.
- Не используйте аккумулятор и устройство, если они повреждены или подвергались модификациям. Поведение поврежденных или модифицированных аккумуляторов может быть непредсказуемым, что приведет к возгоранию, взрыву и риску получения травм.
- Не подвергайте аккумуляторную батарею и устройство воздействию огня и высокой температуры. Воздействие огня или температуры выше 130 °C может привести к взрыву.
- Следуйте всем инструкциям по зарядке и не заряжайте аккумулятор и устройство при температуре, выходящей за пределы указанного диапазона. Если зарядка выполняется неправильно или в условиях неподходящей температуры, это может привести к повреждению аккумулятора и возгоранию.

## ВАЖНЫЕ ИНСТРУКЦИИ ПО ТЕХНИКЕ БЕЗОПАСНОСТИ

**⚠ ПРЕДУПРЕЖДЕНИЕ** При использовании триммеровестской необходимо соблюдать следующие основные меры предосторожности для уменьшения вероятности возникновения пожара, поражения электрическим током и получения травм.

## ВНИМАТЕЛЬНО ПРОЧИТАЙТЕ ПЕРЕД ИСПОЛЬЗОВАНИЕМ

### СОХРАНИТЕ ДЛЯ ИСПОЛЬЗОВАНИЯ В БУДУЩЕМ

**⚠ ОПАСНО!** Не полагайтесь на изоляцию устройства от поражения электрическим током. Чтобы снизить риск поражения электрическим током, не используйте устройство вблизи каких-либо проводов или кабелей (питания и др.), которые могут быть под напряжением.

**⚠ ВНИМАНИЕ!** Во время использования устройства надевайте соответствующие индивидуальные средства защиты органов слуха. При определенных условиях и длительности использования шум от данного устройства может привести к потере слуха.

RU

## Обучение

- Внимательно прочитайте инструкции. Ознакомьтесь со всеми элементами управления и научитесь правильному использованию оборудования.
- Никогда не позволяйте пользоваться устройством детям или людям, не знакомым с этими инструкциями. Местные нормы могут ограничивать возраст оператора.
- Никогда не работайте с инструментом, если рядом находятся люди (особенно дети) или домашние животные.
- Помните, что оператор или владелец несут ответственность за несчастные случаи и ущерб, нанесенный другим людям или их имуществу.

## Подготовка

- Во время работы всегда надевайте средства защиты органов слуха и зрения, прочную обувь и длинные брюки.
- Тщательно осмотрите участок, где будет использоваться устройство, и уберите все камни, палки, провода, кости и другие посторонние предметы.
- Перед работой всегда осматривайте режущие элементы, болты и весь режущий узел на наличие

признаков износа или повреждений. Заменяйте изношенные и поврежденные лезвия и болты сразу комплектом, чтобы не нарушать балансировку.

## Использование

- Работайте только при дневном свете или хорошем искусственном освещении.
- На склонах всегда следите за тем, чтобы находиться в устойчивом положении.
- Передвигайтесь шагом, не бегайте.
- Будьте предельно осторожны, двигаясь задним ходом или перемещая устройство по направлению к себе.
- Прежде чем пересечь с устройством какую-либо нетравянистую поверхность или переместить устройство с одного обрабатываемого участка на другой, убедитесь, что режущий элемент инструмента полностью остановился.
- Никогда не используйте инструмент, если его щитки повреждены, отсутствуют или неправильно установлены.
- Не изменяйте настройку регулятора оборотов двигателя и не превышайте допустимую скорость работы двигателя.
- Включайте двигатель в точном соответствии с инструкциями и ставьте ноги на безопасном расстоянии от режущих элементов.
- Не наклоняйте устройство при включении двигателя за исключением случаев, когда для запуска требуется его наклонить. В этом случае не наклоняйте устройство сильнее, чем это необходимо, и поднимайте дальнюю часть относительно оператора.
- Не запускайте двигатель, если перед режущими элементами находятся посторонние лица.
- Держите руки и ноги подальше от вращающихся деталей.
- Всегда выключайте двигатель и извлекайте аккумулятор из устройства в следующих случаях:
  - 1) перед очисткой засорения;
  - 2) перед проверкой, очисткой или выполнением работ, связанных с режущими элементами;
  - 3) после столкновения с посторонним предметом. Перед повторным запуском и использованием инструмента осмотрите режущие элементы на наличие повреждений и при необходимости отремонтируйте;
  - 4) в случае чрезмерной вибрации инструмента (немедленно проверьте).
- Выключайте двигатель, если оставляете устройство без присмотра.

- Не заряжайте аккумулятор под дождем или во влажных условиях.
- Используйте только аккумуляторы и зарядные устройства, указанные на рис. А.
- Прежде чем выбрасывать устройство, необходимо извлечь аккумулятор.
- Аккумулятор необходимо утилизировать безопасным способом.
- Не бросайте аккумуляторы в огонь. Аккумуляторы могут взорваться. Ознакомьтесь с местными нормами и правилами, которые могут содержать специальные инструкции по утилизации.
- Не вскрывайте и не деформируйте аккумулятор. Вытекший электролит может стать причиной коррозии и привести к повреждению глаз или кожи. Он токсичен при проглатывании.
- Будьте осторожны при обращении с аккумуляторами, чтобы не замкнуть контакты предметами из проводящих материалов, такими как кольца, браслеты и ключи. Аккумулятор или контакт могут перегреться и вызвать ожоги.
- Работающие от аккумуляторов инструменты не требуют подключать к розетке электросети, поэтому они всегда готовы к использованию. Помните о возможности возникновения опасных ситуаций даже когда устройство не используется. Соблюдайте осторожность при выполнении технического обслуживания или ремонта.
- Не мойте устройство из шланга. Избегайте попадания воды в двигатель и электрические соединения.

## Обслуживание и хранение

- Следите за тем, чтобы все гайки, болты и винты были плотно затянуты — это обеспечит безопасную работу устройства.
- Заменяйте изношенные или поврежденные детали.
- Не пытайтесь отремонтировать устройство, если не обладаете достаточной квалификацией.
- Используйте только запасные части и принадлежности, рекомендованные производителем.
- Перед чистой или обслуживанием извлеките аккумулятор из устройства.
- Регулярно проверяйте устройство и выполняйте его обслуживание. Ремонт устройства должен выполнять только квалифицированный специалист.
- Если инструмент не используется, храните его в недоступном для детей месте.

- При возникновении ситуаций, не описанных в данном руководстве, соблюдайте осторожность и руководствуйтесь здравым смыслом. Обратитесь в сервисный центр EGO за помощью.
- Сохраните данные инструкции. Регулярно просматривайте их и предоставляйте для ознакомления другим пользователям. Одалживая кому-либо устройство, передайте также данные инструкции для предотвращения неправильного использования и возможных травм.

### СОХРАНИТЕ ДАННЫЕ ИНСТРУКЦИИ!

**ПРИМЕЧАНИЕ. ДОПОЛНИТЕЛЬНЫЕ СПЕЦИАЛЬНЫЕ ПРАВИЛА ТЕХНИКИ БЕЗОПАСНОСТИ СМ. В РУКОВОДСТВЕ ПОЛЬЗОВАТЕЛЯ ПРИВОДНОГО БЛОКА.**

### ТЕХНИЧЕСКИЕ ХАРАКТЕРИСТИКИ

Длина режущего элемента	20 см
Глубина обрезки кромки	До 75 мм
Масса	2,26 кг
Рабочая температура	-15...40°C
Температура хранения	-20...70°C
Измеренный уровень звуковой мощности $L_{WA}$	92,4 дБ (А) K=2,07 дБ (А) (PH1400E)
	90,7 дБ (А) K=1,46 дБ (А) (PH1420E)
	90 дБ (А) K=1,3 дБ (А) (PHX1600)
Уровень звукового давления на уши оператора $L_{PA}$	79,8 дБ (А) K=3 дБ (А) (PH1400E)
	81,2 дБ (А) K=3 дБ (А) (PH1420E)
	84 дБ (А) K=3 дБ (А) (PHX1600)
Гарантированный уровень звуковой мощности $L_{WA}$ (измерен в соответствии с 2000/14/ЕС)	95 дБ (А)

Вибрация $a_h$	Передняя вспомогательная рукоятка	1,2 м/с <sup>2</sup> K=1,5 м/с <sup>2</sup> (PH1400E)
		1,95 м/с <sup>2</sup> K=1,5 м/с <sup>2</sup> (PH1420E)
		1,6 м/с <sup>2</sup> K=1,5 м/с <sup>2</sup> (PHX1600)
	Задняя рукоятка	2,2 м/с <sup>2</sup> K=1,5 м/с <sup>2</sup> (PH1400E)
		1,66 м/с <sup>2</sup> K=1,5 м/с <sup>2</sup> (PH1420E)
		1,53 м/с <sup>2</sup> K=1,5 м/с <sup>2</sup> (PHX1600)

- Вышеуказанные параметры протестированы и измерены при использовании с приводным блоком PH1400E/PH1420E/PHX1600;
- Указанный общий показатель уровня вибрации был определен с помощью стандартного теста и может быть использован для сравнения разных инструментов.
- Указанный общий уровень вибрации может использоваться также для предварительной оценки уровня воздействия.

**ПРИМЕЧАНИЕ.** Реальное вибрационное воздействие электроинструмента может отличаться от указанного в зависимости от способа использования. В целях безопасности оператор должен надевать перчатки и средства защиты органов слуха во время использования устройства.

### УПАКОВОЧНЫЙ ЛИСТ

НАЗВАНИЕ ДЕТАЛИ	КОЛИЧЕСТВО
Инструмент для обрезки кромки	1
Шестигранный ключ	1
Многофункциональный гаечный ключ	1
Шплинт	2
Руководство по эксплуатации	1

**RU**

## Рекомендуемый режущий элемент

НАЗВАНИЕ ДЕТАЛИ	НОМЕР МОДЕЛИ
Режущий элемент для обрезки кромок	АЕВ0800

## ОПИСАНИЕ

### ЧАСТИ ИНСТРУМЕНТА ДЛЯ ОБРЕЗКИ КРОМОК (Рис. А)

1. Колпачок
2. Вал инструмента для обрезки кромок
3. Щиток режущего элемента
4. Режущий элемент
5. Ручка регулировки глубины
6. Направляющее колесо
7. Шестигранный ключ
8. Многофункциональный гаечный ключ
9. Направляющая штанга регулировки глубины
10. Заслонка от отбрасываемого мусора
11. Шплинт
12. Винт для фиксации направляющей пластины
13. Направляющая пластина

RU

## СБОРКА

**⚠ ПРЕДУПРЕЖДЕНИЕ.** Если какие-либо части повреждены или отсутствуют, не используйте устройство, пока они не будут заменены. Использование устройства в случае повреждения или отсутствия частей может привести к получению серьезной травмы.

**⚠ ПРЕДУПРЕЖДЕНИЕ.** Не пытайтесь изменить конструкцию триммера или создать не рекомендованные для него дополнительные приспособления. Подобное изменение считается ненадлежащим использованием и способствует возникновению опасной ситуации, которая приведет к получению серьезной травмы.

**⚠ ПРЕДУПРЕЖДЕНИЕ.** Чтобы предотвратить случайное включение устройства и получение серьезной травмы, перед сборкой извлеките аккумулятор.

**⚠ ПРЕДУПРЕЖДЕНИЕ.** Всегда надевайте перчатки при установке и демонтаже щитка. Остерегайтесь лезвия на щитке и берегите руки от порезов.

**⚠ ПРЕДУПРЕЖДЕНИЕ.** Никогда не используйте устройство без надежно установленного щитка. Щиток всегда должен быть установлен на устройство для защиты пользователя! Не пытайтесь снимать или регулировать установленный щиток. Если щиток необходимо заменить, эту работу должен выполнить квалифицированный специалист по обслуживанию!

### УСТАНОВКА ИНСТРУМЕНТА ДЛЯ ОБРЕЗКИ КРОМОК НА ПРИВОДНОЙ БЛОК

Это инструмент для обрезки кромок предназначен для использования с приводным блоком EGO RH1400E/RH1420E/RHX1600 с литий-ионным аккумулятором 56 В.

См. раздел «УСТАНОВКА ИНСТРУМЕНТОВ НА ПРИВОДНОЙ БЛОК» в руководстве пользователя приводного блока RH1400E/RH1420E/RHX1600.

## ИСПОЛЬЗОВАНИЕ

**⚠ ПРЕДУПРЕЖДЕНИЕ.** Не допускайте небрежности и беспечности при работе с устройством. Помните, что потери бдительности на долю секунды достаточно для получения серьезной травмы.

**⚠ ПРЕДУПРЕЖДЕНИЕ.** Всегда надевайте защитные очки с боковыми щитками, а также средства защиты органов слуха. В противном случае выбрасываемые предметы попадут в глаза, что может привести к получению серьезной травмы.

### ПРИМЕНЕНИЕ

Данное устройство можно использовать в следующих целях.

Обрезка кромок рядом с пешеходными дорожками, бордюрами, клумбами и аналогичными местами.

**ПРИМЕЧАНИЕ.** Устройство должно использоваться только по назначению. Любое другое использование, кроме упомянутого, считается ненадлежащим.

**Перед каждым использованием проверяйте устройство на наличие поврежденных и изношенных частей.**

Проверьте головку катушки, щиток и переднюю вспомогательную рукоятку и замените треснувшие, деформированные, изогнутые или поврежденные части.

**⚠ ПРЕДУПРЕЖДЕНИЕ.** Чтобы предотвратить получение серьезных травм, извлекайте аккумулятор перед выполнением сервисного обслуживания, очистки, замены принадлежностей или удаления материала из устройства.

### ИСПОЛЬЗОВАНИЕ ИНСТРУМЕНТА ДЛЯ ОБРЕЗКИ КРОМОК С ПРИВОДНЫМ БЛОКОМ

**⚠ ПРЕДУПРЕЖДЕНИЕ.** Одевайтесь надлежащим образом, чтобы снизить риск получения травм при использовании данного устройства. Не надевайте свободную одежду и украшения. Используйте защиту органов зрения и слуха. Надевайте плотные длинные брюки, прочную обувь и перчатки. Не надевайте шорты, сандалии и не работайте босиком. Надевайте маску или респиратор при работе в пыльной среде.

**⚠ ПРЕДУПРЕЖДЕНИЕ.** Уберите из рабочей зоны все препятствия и твердые предметы.

Для более безопасной и удобной работы используйте наплечный ремень. Отрегулируйте наплечный ремень до удобного положения.

Удерживайте инструмент правой рукой за заднюю рукоятку, а левой — за переднюю вспомогательную рукоятку. Во время работы крепко держите устройство обеими руками. Инструмент необходимо держать в удобном положении. Задняя рукоятка должна быть расположена на уровне бедра (Рис. В).

**⚠ ПРЕДУПРЕЖДЕНИЕ.** Наплечный ремень также является быстроразъемным механизмом, использующимся в опасных ситуациях. В случае возникновения чрезвычайной ситуации немедленно снимите его с плеча любым способом.

### Очищайте инструмент после каждого использования.

Инструкции по очистке см. в разделе «ОБСЛУЖИВАНИЕ».

### РЕГУЛИРОВКА ГЛУБИНЫ РЕЗАНИЯ

1. Остановите двигатель и извлеките аккумулятор.
2. Открутите ручку регулировки глубины в направлении стрелки разблокировки, указанной на ручке (Рис. С).
3. Переместите направляющее колесо вверх вдоль направляющей штанги регулировки глубины, чтобы увеличить глубину резки, или вниз, чтобы уменьшить глубину (Рис. D).

4. Отрегулируйте направляющее колесо таким образом, чтобы режущий элемент лишь слегка касался земли или погружался в почву не более, чем на 5 мм (Рис. E), а затем надежно зафиксируйте его.
5. Стоя в нормальном рабочем положении, снова проверьте глубину резки и откорректируйте ее, если требуется

### ВКЛЮЧЕНИЕ И ВЫКЛЮЧЕНИЕ ИНСТРУМЕНТА

См. раздел «ВКЛЮЧЕНИЕ И ВЫКЛЮЧЕНИЕ ПРИВОДНОГО БЛОКА» в руководстве пользователя приводного блока PH1400E/PH1420E/PHX1600.

### СОВЕТЫ ПО ЭКСПЛУАТАЦИИ

- Удерживайте и направляйте приводной блок таким образом, чтобы режущий элемент находился в вертикальном положении. Используйте боковую линию, чтобы направлять режущий элемент вдоль края клумбы (Рис. F).
- Во время работы двигайтесь обычным шагом. Если режущий элемент начинает увязать, необходимо замедлить шаг.
- Во время обрезки двигайтесь только вперед, удерживая инструмент впереди. Не тяните инструмент к себе.
- Не прижимайте режущий элемент к земле. Легкий контакт режущего элемента с краем дорожки, бордюра или клумбы является допустимым и не приведет к повреждению инструмента.
- Лучше всего обрезать сухую траву. Старайтесь не работать во влажной почве или траве, иначе щиток режущего элемента может засориться, что приведет к неровной обрезке кромок. Если щиток режущего элемента засорился, выключите двигатель, извлеките аккумулятор и удалите загрязнения с щитка.

RU

### ОБСЛУЖИВАНИЕ

**⚠ ПРЕДУПРЕЖДЕНИЕ.** Прежде чем выполнять проверку, очистку или обслуживание устройства, выключите двигатель, дождитесь, пока все движущиеся детали полностью остановятся, а затем извлеките аккумулятор. Несоблюдение данных инструкций может привести к серьезным травмам или материальному ущербу.

**⚠ ПРЕДУПРЕЖДЕНИЕ.** При ремонте используйте только идентичные запасные части. Регулярно проверяйте и выполняйте техническое обслуживание устройства. Чтобы обеспечить безопасность и надежность устройства, его ремонт должен выполнять квалифицированный специалист.

## ОБЩЕЕ ОБСЛУЖИВАНИЕ

Не используйте растворители для очистки пластиковых частей. Большинство пластиковых частей чувствительны к различным бытовым растворителям и могут быть повреждены. Для очистки от грязи, пыли, масла, смазки и т. п. используйте чистую ткань.

## ОЧИСТКА УСТРОЙСТВА

- После каждого использования удаляйте мусор, налипшую почву и траву с режущего элемента и щитка при помощи мягкой щетки. Очищайте поверхность инструмента чистой тканью, смоченной в слабом мыльном растворе.
- С помощью маленькой щетки или нагнетания воздуха с помощью небольшого пылесоса очистите вентиляционные отверстия на задней стороне корпуса от загрязнений.

**ПРИМЕЧАНИЕ.** Не используйте активные моющие средства для очистки пластикового корпуса или рукоятки. Они могут быть повреждены определенными ароматическими маслами, такими как хвойное и лимонное масла.

RU

## ЗАМЕНА РЕЖУЩЕГО ЭЛЕМЕНТА

**⚠ ПРЕДУПРЕЖДЕНИЕ.** Не пытайтесь выравнивать или сваривать погнутые или треснувшие режущие элементы — они подлежат замене. Рекомендуется заменять только режущими элементами EGO, см. раздел «Рекомендуемый режущий элемент».

**ПРИМЕЧАНИЕ.** Замените режущий элемент, если его длины не хватает, чтобы поддерживать необходимое расстояние от земли и требуемую глубину резания.

**⚠ ПРЕДУПРЕЖДЕНИЕ.** При выполнении любых работ по обслуживанию режущего элемента всегда надевайте прочные перчатки или обматывайте режущий элемент ветошью или другим материалом.

### Демонтаж режущего элемента

1. Остановите двигатель и извлеките аккумулятор.
2. Положите инструмент на бок таким образом, чтобы режущий элемент был направлен вверх.
3. Наденьте защитные перчатки. С помощью остроносых плоскогубцев (не входят в комплект) извлеките шплинт из вала двигателя (Рис. G).
4. Проверните режущий элемент, чтобы совместить отверстие на фланце с отверстием в редукторе (Рис. G).

Описание частей на Рис. G

G-1	Шплинт
G-2	Внутренний фланец
G-3	Редуктор

5. Вставьте прилагаемый шестигранный ключ в совмещенные отверстия в качестве фиксатора. Используйте прилагаемый многофункциональный гаечный ключ, чтобы открутить гайку **ПО ЧАСОВОЙ СТРЕЛКЕ** (Рис. H).
6. Снимите гайку, внешний фланец, режущий элемент и внутренний фланец с вала двигателя (Рис. I). Проверьте и замените изношенные части.

Описание частей на Рис. I

I-1	Вал двигателя	I-5	Нож
I-2	Внутренний фланец	I-6	Внешний фланец
I-3	Отверстие внутреннего фланца	I-7	Гайка
I-4	Выступ на внутреннем фланце	I-8	Шплинт

### Установка режущего элемента

1. Поместите внутренний фланец на вал двигателя выступом наружу (Рис. I).
2. Установите новый режущий элемент на внутренний фланец и убедитесь, что режущий элемент надежно закреплен на своем месте (Рис. J).
3. Установите внешний фланец и гайку на вал и предварительно затяните гайку **ПРОТИВ ЧАСОВОЙ СТРЕЛКИ**.
4. Следуйте шагам 4 и 5 в разделе «Демонтаж режущего элемента», чтобы зафиксировать режущий элемент, и надежно затяните гайку **ПРОТИВ ЧАСОВОЙ СТРЕЛКИ**.
5. Вставьте новый прилагаемый шплинт в отверстие в вале двигателя. Загните два конца шплинта в разных направлениях при помощи остроносых плоскогубцев (не входят в комплект) (Рис. G).

### ЗАМЕНА НАПРАВЛЯЮЩЕГО КОЛЕСА

1. Остановите двигатель и извлеките аккумулятор.
2. Положите инструмент на бок таким образом, чтобы направляющее колесо было направлено вверх.
3. Открутите ручку регулировки глубины в направлении стрелки разблокировки, указанной на ручке, и извлеките ее.
4. Снимите пружинную шайбу, плоскую шайбу 1, направляющее колесо, втулку и плоскую шайбу 2

с винтовой стойки (Рис. К). Проверьте и замените изношенные части.

- Сначала вставьте винтовую стойку через направляющую штангу регулировки глубины, затем установите плоскую шайбу 2, втулку и новое колесо, потом установите плоскую шайбу 1, пружинную шайбу и ручку регулировки глубины на винтовую стойку в порядке, указанном на Рис. К.

Описание частей на Рис. К

К-1	Ручка регулировки глубины	К-5	Втулка
К-2	Пружинная шайба	К-6	Плоская шайба 2
К-3	Плоская шайба 1	К-7	Винтовая стойка
К-4	Направляющее колесо	К-8	Направляющая штанга регулировки глубины

**ПРИМЕЧАНИЕ.** Направляющее колесо должно быть установлено таким образом, чтобы его плоские ребра были направлены внутрь (Рис. L).

Описание частей на Рис. L

L-1	Винты	L-3	Заслонка от отбрасываемого мусора
L-2	Плоское ребро	L-4	Крепежная панель

- Заблокируйте ручку регулировки глубины.

### ЗАМЕНА ЗАСЛОНКИ ОТ ОТБРАСЫВАЕМОГО МУСОРА

- Остановите двигатель и извлеките аккумулятор.
- Используйте прилагаемый шестигранный ключ, чтобы открутить два винта.
- Извлеките винты, крепежную панель и изношенную заслонку.
- Установите новую заслонку и зафиксируйте ее при помощи крепежной панели и двух винтов.

### ПРОВЕРКА И ЗАМЕНА ПРОТИВОИЗНОСНОГО ЩИТКА/НАПРАВЛЯЮЩЕЙ ПЛАСТИНЫ (Рис. М)

Перед запуском электроинструмента проверьте противоизносный щиток и направляющую панель на наличие повреждений. Противоизносный щиток необходимо заменять, как только становится виден редуктор.

**ВНИМАНИЕ.** Если вовремя не заменить противоизносный щиток, это может привести к серьезным повреждениям редуктора.

- Остановите двигатель и извлеките аккумулятор.
- Наденьте защитные перчатки. Если требуется, проверните режущий элемент, чтобы получить доступ к двум винтам.
- С помощью прилагаемого шестигранного ключа открутите два винта и извлеките их.

**ПРИМЕЧАНИЕ.** Если необходимо заменить только направляющую пластину, открутите и извлеките только винт 1.

- Замените деформированные или изношенные противоизносные щитки и направляющие пластины.
- Установите новые противоизносный щиток и направляющую пластину на редуктор и зафиксируйте их при помощи двух винтов.

Описание частей на Рис. М

М-1	Винт 1	М-4	Противоизносный щиток
М-2	Направляющая пластина	М-5	Крепежные отверстия
М-3	Винт 2	М-6	Редуктор

RU

### ДЕМОНТАЖ НАПРАВЛЯЮЩЕЙ ПЛАСТИНЫ

Если оператор имеет необходимые навыки обращения с данным инструментом или если направляющая пластина мешает работе с устройством, ее можно снять.

- Открутите и извлеките винт 1.
- Снимите направляющую пластину.
- Установите винт 1 на место и затяните его.

### СМАЗКА ШЕСТЕРНЕЙ РЕДУКТОРА

Шестерни в редукторе необходимо периодически смазывать трансмиссионной смазкой. Проверяйте уровень смазки каждые 50 часов работы. Для этого извлеките уплотнительный винт на боковой стороне корпуса.

Если по бокам шестерней не видно следов смазки, выполните указанные ниже действия, чтобы залить трансмиссионную смазку на 3/4 объема.

Не заливайте шестерни редуктора полностью.

- Расположите инструмент вертикально, чтобы уплотнительный винт был направлен вверх (Рис. N).
- Используйте прилагаемый многофункциональный гаечный ключ, чтобы открутить и извлечь уплотнительный винт. Используйте смазочный

шприц (не входит в комплект), чтобы впрыснуть немного смазки в отверстие для винта (не более 3/4 объема).

3. Закрутите уплотнительный винт после смазки.

## ХРАНЕНИЕ УСТРОЙСТВА

- Извлеките аккумулятор из инструмента.
- Тщательно очистите устройство перед хранением.
- Если инструмент для обрезки кромок снят с приводного блока и хранится отдельно, наденьте колпачок на вал инструмента, чтобы избежать загрязнения втулки.
- Храните устройство в сухом, хорошо проветриваемом, закрытом или высоком месте, недоступном для детей. Не храните устройство рядом с удобрениями, бензином или другими химическими веществами.

## Защита окружающей среды



RU

Не выбрасывайте электроприборы, зарядные устройства и аккумуляторные батареи вместе с бытовыми отходами! Отправьте данное изделие на переработку в специализированное предприятие или сдайте его для раздельного сбора. Устройства должны быть возвращены на перерабатывающее предприятие, не наносящее ущерба окружающей среде.



## УСТРАНЕНИЕ НЕИСПРАВНОСТЕЙ

ПРОБЛЕМА	ПРИЧИНА	РЕШЕНИЕ
Двигатель не запускается.	<ul style="list-style-type: none"> <li>■ Аккумулятор не установлен в приводной блок.</li> <li>■ Нет электрического контакта между приводным блоком и аккумулятором.</li> <li>■ Аккумулятор разряжен.</li> <li>■ кнопка блокировки и курковый переключатель не зажаты одновременно.</li> </ul>	<ul style="list-style-type: none"> <li>■ Установите аккумулятор в приводной блок.</li> <li>■ Извлеките аккумулятор, проверьте контакты и установите аккумулятор на место до щелчка.</li> <li>■ Зарядите аккумулятор с помощью зарядного устройства EGO, указанного в данном руководстве.</li> <li>■ Нажмите на рычаг блокировки и удерживайте его, затем зажмите курковый переключатель, чтобы включить триммер.</li> </ul>
Приводной блок остановился во время работы.	<ul style="list-style-type: none"> <li>■ Двигатель перегружен.</li> <li>■ Аккумулятор или приводной блок перегрелся.</li> <li>■ Аккумулятор не подключен к устройству.</li> <li>■ Аккумулятор разряжен.</li> </ul>	<ul style="list-style-type: none"> <li>■ Двигатель начнет работать снова, как только нагрузка уменьшится. При длительной работе снизьте нагрузку на приводной блок.</li> <li>■ Дайте аккумулятору или приводному блоку остыть, пока температура не упадет ниже 67°C.</li> <li>■ Установите аккумулятор.</li> <li>■ Зарядите аккумулятор с помощью зарядного устройства EGO, указанного в данном руководстве.</li> </ul>
Неровный результат обрезки.	<ul style="list-style-type: none"> <li>■ Обрабатываемая почва или трава слишком влажная.</li> <li>■ Щиток режущего элемента загрязнен.</li> </ul>	<ul style="list-style-type: none"> <li>■ Избегайте использования инструмента в мокрой почве и траве.</li> <li>■ Выключите двигатель, извлеките аккумулятор и удалите загрязнения с щитка.</li> </ul>

RU

## ГАРАНТИЯ

### ГАРАНТИЙНАЯ ПОЛИТИКА EGO

Посетите веб-сайт [egopowerplus.eu](http://egopowerplus.eu), чтобы ознакомиться со всеми условиями и сроками гарантийной политики EGO.

## PRZECZYTAJ WSZYSTKIE INSTRUKCJE!



### PRZECZYTAJ INSTRUKCJĘ OPERATORA

**⚠️ OSTRZEŻENIE:** Aby zagwarantować bezpieczeństwo i niezawodność, wszystkie naprawy i wymiany części powinny być wykonywane przez wykwalifikowanych techników serwisu.

## SYMBOLE BEZPIECZEŃSTWA

Celem symboli bezpieczeństwa jest zwrócenie uwagi użytkownika na możliwe zagrożenia. Symbole bezpieczeństwa i objaśnienia do nich zasługują na to, by je uważnie przestudiować i zrozumieć. Symbole bezpieczeństwa nie eliminują same z siebie jakichkolwiek zagrożeń. Podawane w nich instrukcje i ostrzeżenia nie zastępują odpowiednich środków zapobiegania wypadkom.

**⚠️ OSTRZEŻENIE:** Przed użyciem narzędzia prosimy przeczytać i zrozumieć wszystkie instrukcje dotyczące bezpieczeństwa podane w podręczniku użytkownika, łącznie z wszystkimi symbolami ostrzegawczymi takimi jak „NIEBEZPIECZEŃSTWO”, „OSTRZEŻENIE” i „UWAGA”. Niestosowanie się do wszystkich podanych niżej instrukcji może doprowadzić do porażenia prądem, pożaru i/lub poważnych obrażeń.

PL

## ZNACZENIE SYMBOLI

**⚠️ SYMBOL OSTRZEGAWCZY:** Oznacza NIEBEZPIECZEŃSTWO, OSTRZEŻENIE lub PRZESTROGĘ. Może być używany razem z innymi symbolami lub piktogramami.



**⚠️ OSTRZEŻENIE:** Praca elektronarzędziami może spowodować wyrzucenie ciał obcych w oczy użytkownika, co może doprowadzić do poważnych urazów oczu. Przed rozpoczęciem pracy elektronarzędziem należy zawsze założyć gogle ochronne lub okulary z osłonami bocznymi, a w stosownych przypadkach także pełną osłonę na twarz. Zalecamy nakładanie na zwykłe okulary maski zabezpieczającej o szerokim polu widzenia lub stosowanie standardowych okularów zabezpieczających z osłonami bocznymi.

## INSTRUKCJE DOTYCZĄCE BEZPIECZEŃSTWA

Na tej stronie pokazano i opisano symbole bezpieczeństwa, które mogą występować na produkcie. Przed podjęciem próby złożenia i użycia urządzenia należy przeczytać i zrozumieć wszystkie instrukcje dotyczące urządzenia oraz zastosować się do nich.

	Ostrzeżenie dotyczące bezpieczeństwa	Wskazuje na potencjalne ryzyko urazów ciała.
	Przeczytaj instrukcję operatora	Aby zmniejszyć ryzyko urazów, użytkownik musi przeczytać i zrozumieć instrukcję przed rozpoczęciem korzystania z produktu.
	Noś ochronniki słuchu i środki ochrony oczu	Podczas używania produktu należy zawsze nosić gogle ochronne lub okulary ochronne z osłonami bocznymi, a także pełną osłonę na twarz.
	Długość ostrza krawędziarki	Długość ostrza krawędziarki
	Osoby postronne trzymaj z daleka	Odległość między narzędziem a osobami postronnymi musi wynosić co najmniej 15 metrów
	Kierunek obrotów ostrza końcówki do wyrównywania brzegów	Wskazuje kierunek obrotów ostrza końcówki do wyrównywania brzegów.
	Przedmioty wyrzucane w powietrze	Teren, na którym będzie używane urządzenie, należy dokładnie sprawdzić. Wszystkie kamienie, patyki, druty, kości i inne przeszkody należy usunąć.
	Noś obuwie ochronne	Podczas używania urządzenia należy nosić obuwie ochronne z podeszwami antypoślizgowymi.

	Kręcące się ostrze tnące	Nie należy kłaść dłoni ani stawić stóp w pobliżu obracających się części lub pod nimi.
	Zachowuj bezpieczną odległość od przewodów elektroenergetycznych	Aby nie dopuścić do porażenia prądem, nie należy używać narzędzia w odległości mniejszej niż 15 m od napowietrznych linii wysokiego napięcia. Dotknięcie lub używanie w pobliżu przewodów elektroenergetycznych może doprowadzić do poważnych urazów lub porażenia prądem ze skutkiem śmiertelnym.
	CE	Produkt jest zgodny z obowiązującymi dyrektywami WE.
	UKCA	Produkt jest zgodny z obowiązującym ustawodawstwem Wielkiej Brytanii.
	WEEE	Zużytych urządzeń elektrycznych nie należy wyrzucać razem ze zwykłymi odpadami domowymi. Należy je oddać do autoryzowanego punktu recyklingu.
	Hałas	Gwarantowany poziom mocy akustycznej. Emisja hałasu do środowiska zgodnie z dyrektywą Wspólnoty Europejskiej.
V	Wolt	Napięcie
mm	Milimetr	Długość lub rozmiar
cm	Centymetr	Długość lub rozmiar
kg	Kilogram	Ciężar
	Prąd stały	Rodzaj lub charakterystyka prądu

## OGÓLNE OSTRZEŻENIA DOTYCZĄCE BEZPIECZEŃSTWA UŻYWANIA MASZYNY

**⚠ OSTRZEŻENIE:** Prosimy przeczytać wszystkie ostrzeżenia i instrukcje oraz przestudiować specyfikację i ilustracje dostarczone wraz z maszyną. Niestosowanie się do wszystkich podanych niżej instrukcji może doprowadzić do porażenia prądem, pożaru i/lub poważnych obrażeń.

## WSZYSTKIE OSTRZEŻENIA I INSTRUKCJE NALEŻY ZACHOWAĆ NA PRZYSZŁOŚĆ.

Termin „maszyna” występujący w ostrzeżeniach dotyczy maszyny elektrycznej o zasilaniu sieciowym (przewodowej) lub akumulatorowym (beprzewodowej).

### BEZPIECZEŃSTWO W MIEJSCU PRACY

- **Należy dbać o czystość i dobre oświetlenie w miejscu pracy.** Bałagan i złe oświetlenie sprzyjają wypadkom.
- **Maszyn nie należy używać w miejscach zagrożonych wybuchem, np. w obecności łatwopalnych cieczy, gazów lub pyłu.** Maszyny wytwarzają iskry, które mogą zapalić pył lub opary.
- **W czasie pracy maszynę należy trzymać z dala od dzieci i osób postronnych.** Chwila nieuwagi może spowodować utratę kontroli nad urządzeniem.

### BEZPIECZEŃSTWO ELEKTRYCZNE

- **Wtyczki maszyn muszą pasować do gniazdka. Nigdy w jakikolwiek sposób nie wolno przerabiać wtyczki.** Do maszyn wymagających uziemienia nie należy używać przejściówek. Oryginalne wtyczki i pasujące do nich gniazdka zmniejszają ryzyko porażenia prądem.
- **Należy unikać dotykania ciałem powierzchni uziemionych, takich jak np. rury, kaloryfery, kucharki i lodówki.** Uziemienie ciała zwiększa ryzyko porażenia prądem.
- **Maszyny nie należy używać podczas deszczu lub w warunkach dużej wilgotności.** Woda dostająca się do maszyny może zwiększyć ryzyko porażenia prądem lub awarii, która może doprowadzić do urazów ciała.
- **Nie należy nadwyrezać przewodu. Nigdy nie należy używać przewodu do noszenia lub ciągnięcia maszyny; nie wolno chwycić za przewód, aby wyjąć wtyczkę z kontaktu.** Przewód należy chronić przed gorącym, ropą, olejem, ostrymi krawędziami i poruszającymi się częściami. Zaplątane lub uszkodzone przewody zwiększają ryzyko porażenia prądem.
- **Podczas używania maszyny na dworze należy stosować przedłużacz nadający się do używania na dworze.** Używanie przewodu przeznaczonego do stosowania na dworze zmniejsza ryzyko porażenia prądem.
- **Jeżeli użycie maszyny w miejscu o dużej wilgotności jest nieuniknione, należy stosować zasilanie zabezpieczone wyłącznikiem różnicowoprądowym.** Używanie wyłącznika różnicowoprądowego zmniejsza ryzyko porażenia prądem.

### BEZPIECZEŃSTWO OSOBISTE

PL

- Podczas używania maszyny należy zachowywać czujność, patrzeć, co się robi i kierować się zdrowym rozsądkiem. Nie należy używać maszyny, gdy użytkownik jest zmęczony, albo pod wpływem narkotyków, alkoholu lub leków. Chwila nieuwagi w czasie posługiwania się maszyną może spowodować poważne urazy.
- Należy używać środków ochrony osobistej. Należy zawsze nosić okulary ochronne. Stosowanie w odpowiednich warunkach sprzętu ochronnego takiego jak np. maska przeciwpyłowa, obuwie ochronne z podeszwami antypoślizgowymi, kask lub ochronniki słuchu zmniejszy ewentualne obrażenia.
- Nie należy dopuszczać do przypadkowego włączenia. Należy pilnować, aby przed podłączeniem maszyny do zasilania i/lub baterii akumulatorowej oraz przed podniesieniem i przenoszeniem przełącznik był ustawiony w pozycji „wyłączone”. Trzymanie palca na przełączniku włączającym w czasie przenoszenia maszyn lub podłączanie ich do zasilania, gdy przełącznik ustawiony jest w pozycji „włączone”, może doprowadzić do wypadku.
- Przed włączeniem maszyny należy usunąć wszystkie klucze regulacyjne i inne narzędzia. Klucz zaczepiony o obracającą się część maszyny może spowodować obrażenia.
- Nie należy sięgać za daleko. Należy zawsze dbać o utrzymanie równowagi i pewne podparcie nóg. W nieprzewidzianych sytuacjach zapewnia to lepszą kontrolę nad maszyną.
- Należy nosić odpowiednią odzież. Nie powinno się nosić luźnych ubrań ani biżuterii. Włosy i odzież należy trzymać w bezpiecznej odległości od poruszających się części. Luźne ubrania, biżuteria lub długie włosy mogą zaczepić się o poruszające się części.
- Jeżeli urządzenie jest przystosowane do podłączania do odsysacza pyłu i urządzenia zbierającego, należy dopilnować, aby systemy te były podłączone i właściwie stosowane. Używanie systemów służących do pochłaniania pyłu może zmniejszyć zagrożenia związane z pyłem.
- Nie wolno dopuścić do tego, aby poczucie znajomości maszyn wynikające z ich częstego używania doprowadziło do lekceważenia i ignorowania zasad bezpieczeństwa. Jedno lekkomyślne działanie może w ułamku sekundy doprowadzić do ciężkich urazów.
- Maszyny nie należy forsować. Należy używać maszyny odpowiedniej do wykonywanej pracy. Odpowiednia maszyna wykona pracę lepiej i bezpieczniej, gdy pozwoli się jej pracować z prędkością/obrotami do jakich została zaprojektowana.
- Nie należy używać maszyny, jeżeli przełącznik zasilania nie włącza jej lub nie wyłącza. Maszyna, której nie da się kontrolować przełącznikiem, jest potencjalnie niebezpieczna i wymaga naprawy.
- Przed przystąpieniem do regulacji maszyny oraz przed wymianą akcesoriów lub odłożeniem maszyny na miejsce, należy odłączyć ją od zasilania i/lub wyjąć akumulator. Tego typu zapobiegawcze środki ostrożności zmniejszają ryzyko przypadkowego włączenia się maszyny.
- Nieużywane maszyny należy przechowywać w miejscu niedostępnym dla dzieci. Nie wolno dopuszczać do obsługiwanie maszyny przez osoby, które nie znają maszyny lub nie zapoznały się z niniejszą instrukcją. W rękach nieprzeszkolonych użytkowników maszyny mogą stanowić zagrożenie.
- Maszyny i akcesoria należy utrzymywać w dobrym stanie. Należy kontrolować, czy części ruchome nie są odchylone od osi, nie zacinają się i nie są pęknięte lub uszkodzone w inny sposób, który mógłby wpłynąć na działanie maszyny. Jeśli maszyna jest uszkodzona, przed użyciem należy ją naprawić. Wiele wypadków wynika ze złej konserwacji maszyn.
- Należy dbać o czystość i naostrzenie maszyn tnących. Odpowiednio utrzymane maszyny tnące z ostrymi krawędziami tnącymi są mniej narażone na zakleszczanie się i łatwiej jest je kontrolować.
- Maszyny, akcesoriów, wiertel, bitów, itp. należy używać zgodnie z niniejszą instrukcją, z uwzględnieniem warunków i rodzaju wykonywanej pracy. Korzystanie z maszyny niezgodnie z przeznaczeniem może doprowadzić do niebezpiecznych sytuacji.
- Należy dbać o to, aby uchwyty i powierzchnie do trzymania były suche, czyste i niezaplamione olejem lub smarem. Śliskie uchwyty nie pozwalają w bezpieczny sposób kontrolować maszyny w nieprzewidzianych sytuacjach.

## UŻYWANIE I PIELĘGNACJA MASZYNY AKUMULATOROWEJ

- Do ładowania należy używać wyłącznie ładowarki wskazanej przez producenta. Użycie ładowarki pochodzącej od jednego akumulatora do ładowania innego akumulatora grozi pożarem.

PL

- **Maszyn należy używać wyłącznie z dedykowanymi do nich akumulatorami.** Użycie jakichkolwiek innych akumulatorów grozi obrażeniami i pożarem.
- **Jeżeli akumulator nie jest używany, należy go przechowywać z dala od innych przedmiotów metalowych, np. spinaczy, monet, kluczy, gwoździ, śrub i innych drobnych przedmiotów metalowych, które mogłyby spowodować zwarcie wyprowadzeń akumulatora.** Zwarcie wyprowadzeń akumulatora może doprowadzić do oparzeń lub pożaru.
- **W niesprzyjających warunkach może dojść do wycieku cieczy z akumulatora. Należy wtedy unikać wszelkiego kontaktu z tą cieczą. W razie przypadkowego kontaktu ze skórą, zabrudzone miejsce należy obficie przemyć wodą.** Jeżeli płyn dostanie się do oczu, należy dodatkowo zasięgnąć porady lekarza. Płyn wyciekający z akumulatora może powodować podrażnienie lub oparzenia.
- **Nie należy używać akumulatorów lub maszyn, które są uszkodzone lub zostały poddane przeróbkom.** Uszkodzone lub zmodyfikowane akumulatory mogą zachowywać się w sposób nieprzewidywalny, co może doprowadzić do pożaru lub wybuchu lub stwarzać ryzyko urazów.
- **Nie należy narażać akumulatora lub maszyny na kontakt z ogniem lub zbyt wysokimi temperaturami.** Ogień lub temperatury przekraczające 130°C mogą doprowadzić do wybuchu.
- **Należy przestrzegać wszystkich instrukcji ładowania.** Nie należy ładować akumulatora lub maszyny poza przedziałem temperatur podanym w instrukcji. Ładowanie w sposób nieprawidłowy lub w temperaturze wykraczającej poza określony zakres może doprowadzić do uszkodzenia akumulatora i zwiększa ryzyko pożaru.

## WAŻNE INSTRUKCJE DOTYCZĄCE BEZPIECZEŃSTWA

**⚠ OSTRZEŻENIE:** Podczas używania podkaszarek elektrycznych, aby zmniejszyć ryzyko pożaru, porażenia prądem i obrażeń, należy zawsze przestrzegać podstawowych zasad bezpieczeństwa, w tym m.in. zaleceń podanych poniżej.

## PRZECZYTAJ UWAŻNIE PRZED UŻYCIEM

### ZACHOWAJ NA PRZYSZŁOŚĆ

**⚠ NIEBEZPIECZEŃSTWO:** W odniesieniu do ochrony przed porażeniem prądem nie należy polegać tylko i wyłącznie na izolacji narzędzia. Aby ograniczyć ryzyko porażenia prądem, nigdy nie należy używać narzędzia w

pobliżu jakichkolwiek przewodów lub kabli (zasilanie, itp.), które mogą być pod napięciem.

**⚠ OSTROŻNIE:** Podczas użytkowania należy nosić odpowiednie indywidualne środki ochrony słuchu. W niektórych sytuacjach i przy długotrwałym użytkowaniu hałas generowany przez narzędzie może przyczynić się do utraty słuchu.

## Szkolenie

- Prosimy uważnie przeczytać instrukcję. Należy zapoznać się z elementami sterującymi i metodami poprawnej obsługi urządzenia.
- Nigdy nie należy pozwalać używać urządzenia osobom nieobeznanym z niniejszą instrukcją lub dzieciom. Przepisy lokalne mogą nakładać ograniczenia dotyczące wieku operatora.
- Końcówki do wyrównywania brzegów nie należy nigdy używać, gdy w pobliżu znajdują się ludzie (zwłaszcza dzieci) lub zwierzęta domowe.
- Należy pamiętać, że operator lub użytkownik ponosi odpowiedzialność za wypadki lub zagrożenia dotyczące osób trzecich lub ich własności.

## Przygotowanie

- Podczas wyrównywania brzegów należy zawsze nosić ochronniki słuchu i środki ochrony oczu, solidne obuwie z podeszwami antypoślizgowymi oraz długie spodnie.
- Teren, na którym będzie używane urządzenie, należy dokładnie sprawdzić. Wszystkie kamienie, patyki, druty, kości i inne przeszkody należy usunąć.
- Przed użyciem należy zawsze skontrolować narzędzie wzrokowo, aby upewnić się, czy ostrza, śruba mocująca ostrza i moduł tnący nie są zużyte lub uszkodzone. Aby zachować równowagę narzędzia, zużyte lub uszkodzone ostrza i śruby należy wymieniać całymi kompletami.

## Użytkowanie

- Wyrównywanie brzegów należy wykonywać tylko przy świetle dziennym lub przy dobrym oświetleniu sztucznym.
- Na pochyłościach należy zawsze dbać o zachowanie równowagi.
- Należy chodzić, a nie biegać.
- Podczas cofania lub ciągnięcia końcówki do wyrównywania brzegów do siebie należy zachowywać szczególną ostrożność.
- Przed przekraczaniem powierzchni innych niż trawiaste oraz podczas transportowania końcówki do

- wyrównywania brzegów w miejsce pracy i z powrotem należy upewnić się, że ostrze całkowicie się zatrzymało.
- Końcówki do wyrównywania brzegów nie należy nigdy włączać bez założonych osłon, z osłonami założonymi nieprawidłowo oraz w przypadku ich uszkodzenia.
  - Nie wolno zmieniać ustawień regulacji silnika ani dopuszczać do pracy na zbyt wysokich obrotach.
  - Silnik należy włączać uważnie i zgodnie z instrukcjami, a stopy trzymać w bezpiecznej odległości od ostrzał-y.
  - Podczas włączania silnika nie należy przechylać krawędziarki, chyba że w celu jej uruchomienia jest to konieczne. W takim przypadku maszyny nie należy przechylać bardziej niż jest to absolutnie konieczne, a podnoszona część powinna znajdować się z dala od operatora.
  - Nie należy włączać silnika, gdy przed ostrzem/ostrzami ktokolwiek stoi.
  - Nie należy kłaść dłoni ani stawiać stóp w pobliżu obracających się części lub pod nimi.
  - W następujących sytuacjach należy wyłączyć silnik i odłączyć akumulator:
    - 1) gdy urządzenie jest zapchane, przed wyczyszczeniem go;
    - 2) przed kontrolą, czyszczeniem i pracami przy ostrzu/ostrzach;
    - 3) po uderzeniu w przedmiot/przeszkodę: należy sprawdzić, czy ostrza nie są uszkodzone, a w razie potrzeby dokonać naprawy przed ponownym włączeniem i użyciem końcówki;
    - 4) jeżeli końcówka do wyrównywania brzegów zacznie nietypowo drgać (skontrolować natychmiast).
  - Za każdym razem, gdy użytkownik pozostawia końcówkę do wyrównywania brzegów, należy ją wyłączyć.
  - Akumulatora nie należy ładować na deszczu i miejscach wilgotnych.
  - W urządzeniu należy używać wyłącznie akumulatorów i ładowarek podanych na rys. A.
  - Przed użyciem akumulator należy wyjąć z urządzenia.
  - Akumulator należy zutilizować w sposób bezpieczny.
  - Akumulatorów nie należy wrzucać do ognia. Ogniwa mogą wybuchnąć. Należy zapoznać się z przepisami lokalnymi pod kątem ewentualnych instrukcji w sprawie ich utylizacji.
  - Akumulatora nie należy otwierać ani uszkadzać. Uwolniony elektrolit jest żrący i może uszkodzić oczy i skórę. W przypadku poknięcia może być toksyczny.
  - Z akumulatorami należy obchodzić się ostrożnie. Należy uważać, aby nie zwrzeć wyprowadzeń materiałami przewodzącymi takimi jak pierścionki, bransoletki i klucze. Akumulator lub przewodnik mogą się przegrzać i spowodować oparzenia.
  - Narzędzia akumulatorowe nie wymagają podłączenia do kontaktu elektrycznego i dlatego są zawsze gotowe do pracy. Należy więc mieć świadomość możliwych zagrożeń, występujących nawet wtedy, gdy narzędzie nie jest używane. Podczas wykonywania czynności konserwacyjnych lub serwisowych należy zachować ostrożność.
  - Nie należy czyścić urządzenia węzłem; należy unikać zachlapywania wodą silnika i połączeń elektrycznych.

## Konserwacja i przechowywanie

- Należy dbać o to, aby wszystkie nakrętki, śruby i wkręty były dokręcone, tak aby urządzenie działało w sposób całkowicie bezpieczny.
- Zużyte lub uszkodzone części należy wymieniać.
- Nie należy próbować naprawiać urządzenia, chyba że użytkownik posiada w tym zakresie odpowiednie kompetencje.
- Należy używać wyłącznie części zamiennych i akcesoriów zalecanych przez producenta.
- Przed wykonaniem czynności konserwacyjnych oraz przed czyszczeniem narzędzie należy odłączyć od akumulatora.
- Urządzenie należy regularnie kontrolować i konserwować. Naprawy urządzenia powinny być wykonywane wyłącznie przez serwisanta z odpowiednimi uprawnieniami.
- Gdy urządzenie nie jest używane, należy je przechowywać w miejscu niedostępnym dla dzieci.
- W sytuacjach, które nie zostały przewidziane w niniejszej instrukcji należy zachować ostrożność i kierować się własnym zdrowym rozsądkiem. W celu uzyskania pomocy prosimy skontaktować się z centrum serwisowym EGO.
- Prosimy zachować instrukcję. Zachęcamy do częstego korzystania z niej. Instrukcja może też posłużyć do przeszkolenia innych osób, które będą używały narzędzia. Jeśli narzędzie zostanie komuś pożyczone, osobie tej należy również udostępnić niniejszą instrukcję, aby zapobiec niewłaściwemu użytkowaniu i możliwym urazom.

## INSTRUKCJI NIE NALEŻY WYRZUCAĆ

**UWAGA: DODATKOWE, SZCZEGÓŁOWE ZASADY BEZPIECZEŃSTWA PODANO W INSTRUKCJI OPERATORA GŁOWICY UNIWERSALNEJ.**

## SPECYFIKACJA

Długość ostrza	20 cm	
Głębokość przycinania brzegów	Do 75 mm	
Waga	2,26 kg	
Temperatura pracy	-15°C - 40°C	
Temperatura przechowywania	-20°C - 70°C	
Zmierzony poziom mocy akustycznej $L_{WA}$	92,4 dB(A) K=2,07 dB(A) (PH1400E)	
	90,7 dB(A) K=1,46 dB(A) (PH1420E)	
	90 dB(A) K=1,3 dB(A) (PHX1600)	
Poziom ciśnienia akustycznego przy uchu operatora $L_{PA}$	79,8 dB(A) K=3 dB(A) (PH1400E)	
	81,2 dB(A) K=3 dB(A) (PH1420E)	
	84 dB(A) K=3 dB(A) (PHX1600)	
Gwarantowany poziom mocy akustycznej $L_{WA}$ (zmierzony zgodnie z dyrektywą 2000/14/WE)	95 dB(A)	
Drgania $a_h$	Przedni uchwyt pomocniczy	1,2 m/s <sup>2</sup> K=1,5 m/s <sup>2</sup> (PH1400E)
		1,95 m/s <sup>2</sup> K=1,5 m/s <sup>2</sup> (PH1420E)
		1,6 m/s <sup>2</sup> K=1,5 m/s <sup>2</sup> (PHX1600)
	Uchwyt tylny	2,2 m/s <sup>2</sup> K=1,5 m/s <sup>2</sup> (PH1400E)
		1,66 m/s <sup>2</sup> K=1,5 m/s <sup>2</sup> (PH1420E)
		1,53 m/s <sup>2</sup> K=1,5 m/s <sup>2</sup> (PHX1600)

- Powyższe parametry są testowane i mierzone na głowicy uniwersalnej PH1400E/PH1420E/PHX1600;
- Deklarowana całkowita wartość drgań została zmierzona zgodnie ze standardowymi metodami testowania i może służyć do porównywania różnych narzędzi.
- Deklarowana całkowita wartość drgań może również służyć do wstępnej oceny narażenia na drgania.

**UWAGA:** W zależności od sposobu eksploatacji, emisja wibracji podczas faktycznego użytkowania elektronarzędzia może się różnić od wartości deklarowanej. Aby chronić operatora, w rzeczywistych warunkach użytkowania użytkownik powinien nosić rękawice i nauszniki ochronne.

## LISTA ELEMENTÓW W OPAKOWANIU

NAZWA CZĘŚCI	ILOŚĆ
Końcówka do wyrównywania brzegów	1
Klucz imbusowy	1
Klucz wielofunkcyjny	1
Zawlecza	2
Instrukcja operatora	1

PL

### Zalecane ostrze

NAZWY CZĘŚCI	NUMER MODELU
Ostrze wyrównujące	AEB0800

## OPIS

### POZNAJ KOŃCÓWKĘ DO WYRÓWNYWANIA BRZEGÓW (Rys. A)

1. Zaślepka
2. Trzonek
3. Osłona ostrza
4. Ostrze
5. Pokrętko regulacji głębokości
6. Koło prowadzące
7. Klucz imbusowy
8. Klucz wielofunkcyjny
9. Prowadnica regulacji głębokości
10. Kłapka zatrzymująca odpady
11. Zawlecza

12. Śruba mocująca płytkę prowadzącą
13. Płytkę prowadzącą

## MONTAŻ

**⚠ OSTRZEŻENIE:** W przypadku braku lub uszkodzenia którejś z części nie należy uruchamiać urządzenia aż do momentu wymiany lub naprawy części. Używanie urządzenia z uszkodzonymi lub brakującymi częściami może doprowadzić do poważnych urazów ciała.

**⚠ OSTRZEŻENIE:** Nie należy próbować przerabiać urządzenia lub tworzyć akcesoriów, które nie są zalecane do używania w podkaszarce. Wszelkie tego typu zmiany lub modyfikacje są niedozwolone i mogą prowadzić do niebezpiecznych sytuacji oraz poważnych urazów ciała.

**⚠ OSTRZEŻENIE:** Aby zapobiec przypadkowemu włączeniu, które mogłoby spowodować urazy ciała, na czas mocowania części należy zawsze wyjmować z maszyny akumulator.

**⚠ OSTRZEŻENIE:** Podczas zakładania lub wymieniania osłony należy mieć zawsze założone rękawice. Należy uważać na ostrze na osłonie – ryzyko skaleczenia dłoni.

**⚠ OSTRZEŻENIE:** Nigdy nie należy włączać maszyny bez mocno założonej osłony. Aby chronić użytkownika, osłona musi być zawsze założona na maszynę! Jeśli osłona jest założona, nie należy nigdy próbować jej zdejmować lub regulować. Jeśli potrzebna jest wymiana, powinien jej dokonać wykwalifikowany technik!

## ZAKŁADANIE KOŃCÓWKI DO WYRÓWNYWANIA BRZEGÓW NA GŁOWICĘ UNIWERSALNĄ

Ta końcówka do wyrównywania brzegów została zaprojektowana do używania z głowicą uniwersalną EGO model PH1400E/PH1420E/PHX1600 z akumulatorem litowo jonowym 56 V.

Więcej informacji – patrz część „ZAKŁADANIE KOŃCÓWKI NA GŁOWICĘ UNIWERSALNĄ” w instrukcji do głowicy uniwersalnej PH1400E/PH1420E/PHX1600.

## UŻYTKOWANIE

**⚠ OSTRZEŻENIE:** Nie wolno dopuścić do tego, aby znajomość narzędzia doprowadziła do nieuwagi. Należy pamiętać, że do spowodowania poważnych obrażeń wystarczy zaledwie chwila nieuwagi.

**⚠ OSTRZEŻENIE:** Należy zawsze nosić okulary ochronne z osłonami bocznymi. Ponadto należy też nosić nauszki ochronne. Nieprzestrzeganie tego zalecenia może doprowadzić do poważnych obrażeń oczu odłamkiem lub skrawkiem materiału wyrzuconym przez pracujące narzędzie, a także grozi innymi możliwymi urazami.

## ZASTOSOWANIA

Urządzenia można używać wyłącznie do celów podanych poniżej:

- Wyrównywanie trawników wzdłuż ścieżek, krawężników, kwietników i innych podobnych struktur.

**UWAGA:** Narzędzia należy używać tylko do celów zgodnych z przeznaczeniem. Wszelkie inne zastosowania uznaje się za niezgodne z przeznaczeniem.

## Przed każdym użyciem należy sprawdzić, czy jakieś części nie są uszkodzone lub zużyte

Należy skontrolować głowicę-uderzak, osłonę i przedni uchwyt pomocniczy oraz wymienić części pęknięte, wypaczone, skrzywione lub uszkodzone w jakikolwiek sposób.

**⚠ OSTRZEŻENIE:** Aby uniknąć poważnych obrażeń ciała, przed serwisowaniem, czyszczeniem, wymianą osprzętu dodatkowego oraz usuwaniem materiału należy zawsze wyjmować z narzędzia akumulator.

## UŻYWANIE KOŃCÓWKI DO WYRÓWNYWANIA BRZEGÓW ZAŁOŻONEJ NA GŁOWICĘ UNIWERSALNĄ

**⚠ OSTRZEŻENIE:** Aby ograniczyć ryzyko obrażeń, podczas pracy narzędziem należy nosić odpowiednią odzież. Nie należy nosić luźnych ubrań ani biżuterii. Należy nosić ciężkie długie spodnie, solidne buty i rękawice. Nie należy nosić krótkich spodni lub sandałów ani używać narzędzia na bosą. Podczas pracy przy silnym zapyleniu należy nosić osłonę na twarz lub maskę przeciwpyłową.

**⚠ OSTRZEŻENIE:** Z miejsca pracy należy usunąć wszystkie przeszkody i twarde przedmioty.

Aby bezpieczniej i lepiej pracować narzędziem, należy przełożyć przez ramię pasek na ramię. Pasek należy wyregulować w taki sposób, aby zagwarantować wygodną pozycję pracy.

Końcówkę do wyrównywania brzegów należy zawsze trzymać prawą ręką na uchwycie tylnym, a lewą na przednim uchwycie pomocniczym. Podczas pracy narzędziem należy mocno trzymać uchwyty obiema



rękoma. Końcówkę do wyrównywania brzegów należy trzymać wygodnie z tylnym uchwytem znajdującym się mniej więcej na wysokości bioder (Rys. B).

**⚠ OSTRZEŻENIE:** Pasek na ramię jest także mechanizmem szybkiego odczepiania w niebezpiecznych sytuacjach. W sytuacji awaryjnej należy go natychmiast zdjąć z ramienia, niezależnie od sposobu założenia paska.

### Po każdym użyciu końcówkę do wyrównywania brzegów należy wyczyścić.

Instrukcje dotyczące czyszczenia – patrz część zatytułowana KONSERWACJA.

### REGULACJA GŁĘBOKOŚCI CIĘCIA

1. Wyłączyć silnik i wyjąć akumulator.
2. Poluzować pokrętko regulacji głębokości, przekręcić je w kierunku strzałki na pokrętkle wskazującej odkręcanie (Rys. C).
3. Przesunąć koło prowadzące wzdłuż prowadnicy regulacji głębokości, do góry, aby zwiększyć głębokość cięcia lub w dół, aby ją zmniejszyć (Rys. D).
4. Ustawić koło prowadzące w taki sposób, aby ostrze ledwo dotykało ziemi lub zagłębiało się w powierzchnię podłoża nie więcej niż na 5 mm (Rys. E). Następnie mocno dokręcić.
5. Stanąć w zwykłej pozycji pracy i sprawdzić, głębokość cięcia ponownie, w razie potrzeby skorygować.

### WŁĄCZANIE/WYŁĄCZANIE NARZĘDZIA

Więcej informacji – patrz część „WŁĄCZANIE/WYŁĄCZANIE GŁOWICY UNIWERSALNEJ” w instrukcji do głowicy uniwersalnej PH1400E/PH1420E/PHX1600.

### WSKAZÓWKI DOTYCZĄCE UŻYTKOWANIA

- Głowicę uniwersalną należy trzymać i prowadzić w taki sposób, aby ostrze było ustawione w pozycji pionowej. Aby równo prowadzić ostrze wzdłuż krawędzi grządkli można używać wskaźnika prowadzącego (Rys. F).
- Należy pracować z prędkością nie większą niż zwykły krok spacerowy. Jeśli ostrze zacznie grzać, oznacza to, że prędkość wyrównywania jest za duża, należy wtedy zwolnić.
- Podczas pracy należy zawsze chodzić do przodu i trzymać końcówkę wyrównującą z przodu. Nie należy ciągnąć końcówki do siebie.
- Nie należy wciskać ostrza w ziemię. Lekkie dotknięcie ostrzem krawędzi chodnika, krawężnika itp. jest dopuszczalne i nie spowoduje uszkodzenia końcówki.
- Najlepsze efekty uzyskuje się, gdy trawa jest sucha. Należy unikać wyrównywania brzegów na mokrej ziemi

lub trawie, ponieważ osłona ostrza może się zapchać, co w efekcie może doprowadzić do nierównego cięcia. Jeśli osłona ostrza zapcha się, należy wyłączyć silnik, wyjąć akumulator i usunąć zanieczyszczenia z osłony ostrza.

### KONSERWACJA

**⚠ OSTRZEŻENIE:** Przed kontrolą, czyszczeniem lub serwisowaniem urządzenia należy wyłączyć silnik, odczekać aż wszystkie poruszające części zatrzymają się i wyjąć akumulator. Niezastosowanie się do powyższych instrukcji może doprowadzić do poważnych obrażeń ciała lub do uszkodzenia mienia.

**⚠ OSTRZEŻENIE:** Podczas serwisowania należy używać wyłącznie części zamiennych identycznych z oryginalnymi. Maszynę należy regularnie kontrolować i konserwować. Aby zagwarantować bezpieczeństwo i niezawodność, wszystkie naprawy powinny być wykonywane przez wykwalifikowanych techników serwisu.

### KONSERWACJA OGÓLNA

Podczas czyszczenia części plastikowych należy unikać używania rozpuszczalników. Pod wpływem kontaktu z różnego rodzaju rozpuszczalnikami dostępnymi w handlu większość tworzyw może ulec uszkodzeniu. Do usuwania zabrudzeń, kurzu, oleju, smaru itp. należy używać czystych ściereczek.

### CZYSZCZENIE URZĄDZENIA

- Po każdym użyciu należy usunąć miękką szcieteczką zanieczyszczenia, ziemię lub trawę zapychające ostrze i jego osłonę. Powierzchnię końcówki do wyrównywania brzegów należy przetrzeć czystą szmatką zwilżoną roztworem mydła.
- Do czyszczenia otworów wentylacyjnych i usuwania zanieczyszczeń z tylnej części obudowy należy używać małej szcieteczki lub małego odkurzacza.

**UWAGA:** Do czyszczenia części plastikowych lub uchwytu nie należy używać jakichkolwiek silnych detergentów. Elementy te mogą zostać uszkodzone przez niektóre olejki aromatyczne, takie jak olejek sosnowy i cytrynowy.

### WYMIANA OSTRZA

**⚠ OSTRZEŻENIE:** Nie należy próbować prostować lub spawać skrzywionego lub pękniętego ostrza – element taki może pęknąć i należy go koniecznie wymienić. Zaleca się wymianę tylko na ostrze do końcówki do wyrównywania brzegów EGO, patrz część „Zalecane ostrze”.

**UWAGA:** Jeśli długość ostrza jest już za mała, aby utrzymać wymagany odstęp od ziemi i uzyskać potrzebną głębokość cięcia, ostrze należy wymienić.

**⚠️ OSTRZEŻENIE:** Podczas czynności konserwacyjnych przy ostrzu końcówki do wyrównywania brzegów należy zawsze chronić ręce przez noszenie solidnych rękawic lub owinięcie ostrza szmatami lub innymi materiałami.

### Zdejmowanie ostrza

1. Wylądzić silnik i wyjąć akumulator.
2. Położyć końcówkę ostrzem do góry.
3. Założyć rękawice ochronne. Użyć wąsko zakończonych szczyptec (do dokupienia osobno), aby wyjąć zawleczkę z wałka silnika (Rys. G).
4. Obrócić ostrze tak, aby otwór w kołnierzu dopasować do otworu w obudowie przekładni (Rys. G).

Rys. G – opis części patrz poniżej:

G-1	Zawlecзка
G-2	Kołnierz wewnętrzny
G-3	Obudowa przekładni

5. Przełożyć klucz imbusowy przez obydwa otwory – klucz będzie pełnił rolę stabilizatora. Użyć klucza wielofunkcyjnego, aby odkręcić nakrętkę W PRAWO (Rys. H).
6. Zdjąć z wałka silnika nakrętkę, kołnierz zewnętrzny, ostrze i kołnierz wewnętrzny (Rys. I). Skontrolować i wymienić, jeśli są one zużyte.

Rys. I – opis części patrz poniżej:

I-1	Wałek silnika	I-5	Ostrze
I-2	Kołnierz wewnętrzny	I-6	Kołnierz zewnętrzny
I-3	Szczelina w kołnierzu wewnętrznym	I-7	Nakrętka
I-4	Wybrzuszenie na kołnierzu wewnętrznym	I-8	Zawlecзка

### Zakładanie ostrza

1. Nałożyć kołnierz wewnętrzny na wałek silnika występem skierowanym na zewnątrz (Rys. I).
2. Założyć nowe ostrze na kołnierz wewnętrzny w taki sposób, aby ostrze było pewnie osadzone na swoim miejscu (Rys. J).
3. Założyć kołnierz zewnętrzny i nałożyć na wałek nakrętkę, wstępnie dokręcić nakrętkę **W LEWO**.

4. Wykonać kroki 4 i 5 z części „Zdejmowanie ostrza”, aby ustabilizować ostrze i dokręcić nakrętkę **W LEWO**.
5. Założyć nową zawleczkę w otwór w wałku silnika. Użyć wąsko zakończonych szczyptec (do dokupienia osobno), aby odgiąć obydwa druty zawlecзки w przeciwnie strony (Rys. G).

### WYMIANA KOŁA PROWADZĄCEGO

1. Wylądzić silnik i wyjąć akumulator.
2. Położyć końcówkę kołem prowadzącym do góry.
3. Poluzować pokrętko regulacji głębokości, przekręcić je w kierunku strzałki na pokrętkle wskazującej odkręcanie, a następnie zdjąć.
4. Z pręta gwintowanego zdjąć podkładkę sprężynującą, podkładkę płaską 1, koło prowadzące, tuleję i podkładkę płaską 2 (Rys. K). Skontrolować i wymienić, jeśli są one zużyte.
5. Najpierw zamontować pręt gwintowany przez prowadnicę regulacji głębokości, a potem na pręt gwintowany założyć podkładkę płaską 2, tuleję i nowe koło, następnie założyć podkładkę płaską 1, podkładkę sprężynującą i pokrętko regulacji głębokości, w kolejności pokazanej na Rys. K.

Rys. K – opis części patrz poniżej:

K-1	Pokrętko regulacji głębokości	K-5	Tuleja
K-2	Podkładka sprężynująca	K-6	Podkładka płaska 2
K-3	Podkładka płaska 1	K-7	Pręt gwintowany
K-4	Koło prowadzące	K-8	Prowadnica regulacji głębokości

**UWAGA:** Koło prowadzące powinno być zamontowane płaskimi żebrami do środka (Rys. L).

Rys. L – opis części patrz poniżej:

L-1	Śruby	L-3	Kłapka zatrzymująca odpady
L-2	Płaskie zebro	L-4	Płytką mocująca

6. Dokręcić pokrętko regulacji głębokości.

### WYMIANA KLAPKI ZATRZYMUJĄCEJ ODPADY (Rys. L)

1. Wylądzić silnik i wyjąć akumulator.
2. Kluczem wielofunkcyjnym odkręcić dwie śruby.

3. Zdjąć śruby, płytkę mocującą i kłapkę zatrzymującą odpady.
4. Założyć nową kłapkę zatrzymującą odpady i zamocować ją płytką mocującą oraz dwiema śrubami.

### KONTROLA I WYMIANA OSŁONY ZABEZPIEZAJĄCEJ PRZED ZUŻYCIEM/PŁYTKI PROWADZĄCEJ (Rys. M)

Przed włączeniem elektronarzędzia należy skontrolować osłonę zabezpieczającą przed zużyciem i płytkę prowadzącą pod kątem uszkodzeń. Jeśli obudowa przekładni zaczyna być widoczna, osłonę zabezpieczającą przed zużyciem należy wymienić na nową.

**UWAGA:** Jeśli osłona zabezpieczająca przed zużyciem nie zostanie wymieniona, gdy obudowa przekładni zacznie być widoczna, obudowa przekładni może ulec poważnemu uszkodzeniu.

1. Wyłączyć silnik i wyjąć akumulator.
2. Założyć rękawice ochronne. Obrócić ostrze na tyle, aby odsłonić dwie śruby.
3. Kluczem wielofunkcyjnym odkręcić i zdjąć dwie śruby.

**UWAGA:** Jeżeli trzeba tylko wymienić płytkę prowadzącą, odkręcić i zdjąć tylko śrubę 1.

4. Wymienić zdeformowaną lub zużytą osłonę zabezpieczającą przed zużyciem/płytkę prowadzącą.
5. Założyć nową osłonę zabezpieczającą przed zużyciem i płytkę prowadzącą na obudowę przekładni i dokręcić je dwiema śrubami.

Rys. M opis części patrz poniżej:

M-1	Śruba 1	M-4	Osłona zabezpieczająca przeciw zużyciu się
M-2	Płytkę prowadzącą	M-5	Otwory montażowe
M-3	Śruba 2	M-6	Obudowa przekładni

### ZDEJMOWANIE PŁYTKI PROWADZĄCEJ

Jeśli użytkownik nie ma doświadczenia z tego typu końcówką wyrównującą lub jeśli zdaniem użytkownika płytkę prowadzącą przeszkadza w używaniu narzędzia, płytkę można zdemontować.

1. Poluzować i zdjąć śrubę 1.
2. Zdjąć płytkę prowadzącą.
3. Włożyć z powrotem i dokręcić śrubę 1.

### SMAROWANIE PRZEKŁADNI TRANSMISYJNEJ

Przekładnia transmisyjna wymaga okresowego smarowania smarem do przekładni. Co 50 godzin pracy, należy kontrolować stan smaru w obudowie przekładni: w tym celu należy śrubę uszczelniającą z boku obudowy.

Jeśli po bokach przekładni nie widać w ogół smaru, należy wykonać kroki podane poniżej w celu napełnienia obudowy smarem do 3/4 pojemności.

Przekładni transmisyjnej nie należy całkowicie napełniać.

1. Ustawić końcówkę pionowo tak, aby śruba uszczelniająca była skierowana do góry (Rys. N).
2. Kluczem wielofunkcyjnym odkręcić i zdjąć śrubę uszczelniającą. Użyć strzykawki olejowej (do dokupienia osobno), aby wstrzyknąć odrobinę smaru w otwór na śrubę; nie należy przekraczać 3/4 pojemności.
3. Po wstrzyknięciu smaru dokręcić śrubę uszczelniającą.

### PRZECHOWYWANIE URZĄDZENIA

- Wyjąć akumulator z końcówki.
- Przed schowaniem narzędzie należy dokładnie wyczyścić.
- Jeśli końcówka wyrównująca ma być wyjęta z głowicy uniwersalnej i przechowywana osobno, należy założyć zaślepkę na wałek końcówki, aby nie dopuścić do zbierania się na łączówce brudu.
- Urządzenie należy przechowywać w suchym i dobrze wentylowanym miejscu niedostępnym dla dzieci: albo pod kluczem, albo wystarczająco wysoko. Urządzenia nie należy używać na nawozach lub w ich pobliżu, to samo dotyczy podłoża zanieczyszczonych benzyną i substancjami chemicznymi.

### Ochrona środowiska



Urządzeń elektrycznych, zużytych akumulatorów i ładowarki nie należy wyrzucać do zwykłych zmieszanych śmieci domowych! Produkt należy oddać do zbiórki selektywnej w autoryzowanym punkcie recyklingu. Maszyny elektryczne należy oddawać do przyjaznych dla środowiska zakładów recyklingu.

## ROZWIĄZYWANIE PROBLEMÓW

PROBLEM	PRZYCZYNA	ROZWIĄZANIE
Silnik nie zapala.	<ul style="list-style-type: none"> <li>■ Akumulator nie jest podłączony do głowicy.</li> <li>■ Głowica uniwersalna i akumulator nie kontaktują.</li> <li>■ Akumulator jest rozładowany.</li> <li>■ Przycisk odblokowująca i przełącznik spustowy nie zostały wciśnięte jednocześnie.</li> </ul>	<ul style="list-style-type: none"> <li>■ Włożyć akumulator do głowicy.</li> <li>■ Wyjąć akumulator, sprawdzić styki i założyć akumulator z powrotem aż do oporu.</li> <li>■ Naładować akumulator jedną z ładowarek EGO podanych w niniejszym podręczniku.</li> <li>■ Aby włączyć podkaszarkę, należy wcisnąć i przytrzymać przycisk odblokowującą, a następnie nacisnąć przełącznik spustowy.</li> </ul>
Głowica uniwersalna zatrzymuje się w czasie pracy.	<ul style="list-style-type: none"> <li>■ Silnik jest przeciążony.</li> <li>■ Akumulator lub głowica są zbyt gorące.</li> <li>■ Akumulator jest odłączony od narzędzia.</li> <li>■ Akumulator jest rozładowany.</li> </ul>	<ul style="list-style-type: none"> <li>■ Gdy tylko obciążenie zostanie usunięte, silnik wznowi pracę. Do pracy ciąglej należy zmniejszyć obciążenie głowicy uniwersalnej.</li> <li>■ Należy pozwolić, aby akumulator lub głowica ostygły do temperatury poniżej 67°C.</li> <li>■ Ponownie założyć akumulator.</li> <li>■ Naładować akumulator jedną z ładowarek EGO podanych w niniejszym podręczniku.</li> </ul>
Nierówna krawędź	<ul style="list-style-type: none"> <li>■ Trawa lub ziemia są zbyt mokre.</li> <li>■ Zapchana osłona ostrza.</li> </ul>	<ul style="list-style-type: none"> <li>■ Unikać wyrównywania krawędzi w mokrej ziemi lub mokrej trawie.</li> <li>■ Wyłączyć silnik, wyjąć akumulator i usunąć zanieczyszczenia z osłony ostrza.</li> </ul>

PL

## GWARANCJA

### POLITYKA GWARANCYJNA EGO

W celu zapoznania się z wszystkimi warunkami polityki gwarancyjnej EGO prosimy odwiedzić stronę [egopowerplus.eu](http://egopowerplus.eu).

## PŘEČTĚTE SI VŠECHNY POKYNY!



### PŘEČTĚTE SI NÁVOD K OBSLUZE

**VAROVÁNÍ:** Z důvodu bezpečnosti by měl všechny opravy a výměny provádět kvalifikovaný servisní technik.

## BEZPEČNOSTNÍ SYMBOLY

Účelem bezpečnostních symbolů je upoutat vaši pozornost k případným nebezpečím. Bezpečnostní symboly a jejich vysvětlení vyžadují vaši zvýšenou pozornost a porozumění. Výstražné symboly samy o sobě nevylučují žádné nebezpečí. Pokyny a varování nejsou náhradou vhodných opatření pro prevenci úrazů.

**VAROVÁNÍ:** Před použitím tohoto nástroje si přečtěte a seznáme se se všemi bezpečnostními pokyny v tomto návodu k obsluze včetně veškerých výstražných symbolů, jako např. „**NEBEZPEČÍ**“, „**VAROVÁNÍ**“ nebo „**UPOZORNĚNÍ**“. Nedodržení níže uvedených pokynů může mít za následek úraz elektrickým proudem, požár a nebo vážná poranění osob.

## VÝZNAM SYMBOLŮ

**BEZPEČNOSTNÍ VÝSTRAŽNÉ SYMBOLY:** Upozorňují na **NEBEZPEČÍ**, **VAROVÁNÍ**, nebo **UPOZORNĚNÍ**. Lze je používat ve spojení s jinými symboly nebo piktogramy.








**UPOZORNĚNÍ:** Při použití elektrického nářadí může dojít k vymrštění cizích těles do očí, což může způsobit jejich závažné poškození. Před použitím elektrického nářadí si vždy nasadte ochranné brýle, ochranné brýle s bočními kryty nebo v případě potřeby obličejový štít. Na brýle nebo standardní ochranné brýle s bočními kryty doporučujeme použít ochrannou masku.

## BEZPEČNOSTNÍ POKYNY

Na této stránce jsou zobrazeny a popsány bezpečnostní symboly, které se mohou objevit na výrobku. Před montáží a provozem si přečtěte, seznáme se a dodržte veškeré pokyny ke stroji.

	Bezpečnostní upozornění	Upozorňuje na možné riziko úrazu.
	Přečtěte si návod k obsluze	Z důvodu snížení rizika úrazu si musí uživatel před použitím tohoto výrobku přečíst a seznámit se s návodem k obsluze.
	Používejte ochranu sluchu a zraku	Vždy noste ochranné brýle, ochranné brýle s bočními kryty nebo obličejový štít při použití tohoto výrobku.
	Délka čepel začišťovače okrajů trávníků	Délka čepel začišťovače okrajů trávníků
	Udržte ostatní osoby v bezpečné vzdálenosti.	Vzdálenost mezi nářadím a ostatními osobami musí být nejméně 15 m.
	Směr otáčení čepel orezávače	Označuje směr otáčení čepel orezávače.
	Odmrštěné předměty	Pečlivě zkontrolujte povrch, kde budete zařízení používat, a odstraňte všechny kameny, klacky, dráty, kosti a další cizí tělesa.
	Používejte ochrannou obuv.	Při použití tohoto zařízení noste protiskluzovou bezpečnostní obuv.
	Rotující řezná čepel	Nestrkejte ruce ani nohy do blízkosti nebo pod rotující části.
	Udržte dostatečnou vzdálenost od elektrického vedení.	Aby se zabránilo úrazu elektrickým proudem, nepracujte v dosahu 15 m od nadzemního elektrického vedení. Kontakt s elektrickým vedením může vést k vážnému zranění nebo úrazu elektrickým proudem s následkem smrti.

GZ

	CE	Tento výrobek je v souladu s platnými směrnici ES.
	UKCA	Tento výrobek je v souladu s příslušnou britskou legislativou.
	WEEE	Odpadní elektrické výrobky se nesmí likvidovat s domovním odpadem. Odevzdejte do autorizovaného recyklačního střediska.
	Hlučnost	Garantovaná hladina akustického výkonu. Emise hluku do prostředí dle direktivy Evropského společenství.
V	Voltů	Napětí
mm	Milimetr	Délka nebo velikost
cm	Centimetr	Délka nebo velikost
kg	Kilogram	Hmotnost nůžek
	Stejnoseměrný proud	Druh nebo vlastnosti proudu

CZ

## OBECNÁ BEZPEČNOSTNÍ UPOZORNĚNÍ STROJE

**⚠ VAROVÁNÍ:** Přečtěte si všechny bezpečnostní výstrahy, pokyny, ilustrace a technické údaje dodané s tímto strojem. Nedodržení všech níže uvedených pokynů může vést k úrazu elektrickým proudem, požáru a/nebo vážnému úrazu.

### VŠECHNA VAROVÁNÍ A POKYNY USCHOVEJTE PRO BUDOUCÍ POUŽITÍ.

Výraz „stroj“ v upozorněních označuje stroj napájený ze sítě (kabelový) nebo bateriový (akumulátorový).

### BEZPEČNOST NA PRACOVIŠTI

- Udržujte pracovní prostor v čistotě a dobře osvětlený. Nepořádek nebo neosvětlené pracovní oblasti bývají příčinou úrazů.
- Nepoužívejte stroje ve výbušném prostředí, například v přítomnosti hořlavých kapalin, plynů nebo prachu. Stroje jsou zdrojem jiskření, které může zapálit prach nebo výpary.
- Při práci se strojem udržujte děti a přihlízející osoby v bezpečné vzdálenosti. Nesoustředěnost může způsobit ztrátu kontroly.

### ELEKTRICKÁ BEZPEČNOST

- Zástrčky stroje musí odpovídat zásuvce. V žádném případě nikdy neupravujte zástrčku. Nepoužívejte žádné adaptérové zástrčky s uzemněnými stroji. Neupravené zástrčky a vhodné zásuvky snižují riziko úrazu elektrickým proudem.
- Zabraňte kontaktu těla s uzemněnými povrchy, jako jsou potrubí, radiátory, sporáky a ledničky. Existuje zvýšené riziko úrazu elektrickým proudem, pokud je vaše tělo uzemněno.
- Neprovazujte stroj v dešti nebo za mokra. Voda vstupující do stroje může zvýšit riziko úrazu elektrickým proudem nebo poruchy, která by mohla mít za následek zranění osob.
- Nepoužívejte kabel nevhodným způsobem. Nikdy nepoužívejte kabel k přenášení, vytahování nebo odpojování stroje z elektrické sítě. Udržujte kabel daleko od tepla, oleje, ostrých hran nebo pohyblivých částí. Poškozené nebo spletené kabely zvyšují riziko úrazu elektrickým proudem.
- Při práci se strojem venku používejte prodlužovací kabel vhodný pro venkovní použití. Použití kabelu vhodného pro venkovní použití snižuje riziko úrazu elektrickým proudem.
- Pokud musíte se strojem pracovat ve vlhkém prostředí, použijte přerušovač zemního spojení (GFCI). Použití přerušovače zemního obvodu (GFCI) snižuje riziko úrazu elektrickým proudem.

### OSOBNÍ BEZPEČNOST

- Při práci se strojem buďte stále pozorní, sledujte, co děláte a používejte zdravý rozum. Nepoužívejte stroj, jste-li unaveni nebo pod vlivem drog, alkoholu nebo léků. Jediná chvilka nepozornosti při práci se strojem může mít za následek vážný úraz.
- Používejte osobní ochranné pracovní prostředky. Vždy používejte ochranu očí. Ochranné pomůcky, jako např. respirátor, protiskluzová bezpečnostní obuv, pevná přilba nebo chrániče sluchu používané ve vhodném prostředí sníží riziko úrazu.
- Zabraňte náhodnému spuštění. Před připojením ke zdroji napětí a/nebo akumulátoru, zvedáním nebo přenášením stroje se ujistěte, že vypínač je ve vypnuté poloze. Přenášení strojů s prstem na spínači nebo zapínání strojů se zapnutým spínačem vybízí k nehodám.
- Před zapnutím stroje odstraňte seřizovací klíče nebo nářadí. Nářadí nebo klíč, který zůstane upevněn k otáčející se části stroje, může způsobit zranění.
- Nenahýbejte se. Vždy udržujte pevný postoj a rovnováhu. To umožní lepší ovládnání stroje v nečekaných situacích.

- **Používejte vhodný oděv. Nenoste volný oděv ani šperky.** Udržujte své vlasy a oblečení mimo dosah pohybujících se částí. Volný oděv, šperky nebo dlouhé vlasy se mohou zachytit do pohybujících dílů.
- **Pokud je zařízení vybaveno adaptérem pro připojení odsávání prachu a sběrnými zařízeními, zajistěte jejich správné připojení a řádnou funkci.** Použití odsávání prachu může snížit nebezpečí týkající se prachu.
- **Nedovoľte, abyste se po získání zkušeností častým používáním strojů stali neobezřetnými a ignorovali zásady bezpečnosti.** Nedbalá činnost může způsobit vážné zranění za zlomek sekundy.
- **K nabíjení používejte pouze nabíječku doporučenou výrobcem.** Nabíječka vhodná pro jeden typ akumulátoru může způsobit riziko požáru při použití s jiným akumulátorem.
- **Stroje používejte pouze se specifikovanými akumulátory.** Použití jiných akumulátorů může způsobit riziko úrazu a požáru.
- **Pokud akumulátor nepoužíváte, držte jej z dosahu kovových předmětů, jako jsou kancelářské sponky na papír, mince, klíče, hřebíky, šroubky nebo další drobné kovové předměty, které mohou propojit kontakty baterie.** Zkratování kontaktů baterie může způsobit spálení nebo požár.

## POUŽITÍ A PÉČE O STROJ

- **Nevyvíjejte na stroj násilí. Použijte správný stroj pro danou aplikaci.** Správný stroj bude pracovat lépe a bezpečněji rychlostí, pro kterou byl navržen.
- **Nepoužívejte stroj v případě, že vypínač nefunguje.** Stroj, který nelze ovládat spínačem, je nebezpečný a musí se opravit.
- **Před seřizováním, výměnou příslušenství nebo uskladněním stroje odpojte zástrčku ze zdroje napájení a/nebo vyjměte akumulátor, pokud je odnímatelný, ze stroje.** Tato preventivní bezpečnostní opatření snižují riziko náhodného spuštění stroje.
- **Nečinné stroje skladujte mimo dosah dětí a nedovoľte osobám, které nejsou obeznámeny se zařízením nebo s těmito pokyny, aby jej obsluhovaly.** Stroje jsou v rukou nequalifikované obsluhy nebezpečné.
- **Provádějte údržbu strojů a příslušenství. Kontrolujte případnou nesouosost nebo ohyb pohybujících se částí, narušení dílů a ostatní podmínky, které mohou ovlivnit provoz stroje.** V případě poškození nechte stroj před použitím opravit. Mnoho nehod a úrazů je způsobeno nedostatečně udržovanými stroji.
- **Udržujte žací stroje ostré a čisté.** Řádně udržované žací stroje s ostrými řeznými hranami nemají tendenci se ohýbat a lépe se ovládají.
- **Používejte stroj, příslušenství a strojové hroty atd. v souladu s těmito pokyny s přihlédnutím k pracovním podmínkám a práci, která má být provedena.** Použití stroje na činnosti jiné, než je určující použití, může vést k nebezpečným situacím.
- **Udržujte rukojeti a uchopovací plochy suché, čisté, bez oleje a maziva.** Kluzké rukojeti a plochy pro uchopení neumožňují bezpečnou manipulaci se strojem a jeho ovládání v nečekaných situacích.
- **V nevhodných podmínkách může z baterie unikat kapalina. Zabraňte kontaktu. Při náhodném kontaktu opláchněte zasažené místo vodou.** Při zasažení očí kapalinou vyhledejte lékařskou pomoc. Unikající kapalina z akumulátoru může způsobit podráždění pokožky nebo popálení.
- **Nepoužívejte akumulátor nebo stroj, který je poškozen nebo upraven.** Poškozené nebo upravené akumulátory se mohou chovat nepředvídatelně, což může vést k požáru, výbuchu nebo nebezpečí zranění.
- **Nevystavujte akumulátor ani stroj ohni nebo příliš vysoké teplotě.** Při vystavení ohni nebo teplotě nad 130 ° C může dojít k výbuchu.
- **Dodržujte všechny pokyny pro nabíjení a nenabíjejte akumulátor nebo stroj mimo rozsah teplot uvedených v pokynech.** Nesprávné nabíjení nebo nabíjení při teplotách mimo stanovený rozsah může poškodit akumulátor a zvýšit riziko požáru.

GZ

## DŮLEŽITÉ BEZPEČNOSTNÍ POKYNY

**VAROVÁNÍ:** Při používání strunových sekaček je nutné vždy dodržovat základní bezpečnostní opatření pro zamezení rizika požáru, úrazu elektrickým proudem a poranění osob včetně následujícího.

## ČTĚTE PEČLIVĚ PŘED POUŽITÍM

### USCHOVEJTE PRO BUDOUCÍ POUŽITÍ

**NEBEZPEČÍ:** Nespoléhejte se na izolaci náradí proti úrazu elektrickým proudem. Chcete-li snížit riziko usmrčení elektrickým proudem, nikdy stroj nepoužívejte v blízkosti žádných vodičů nebo kabelů (napájecích atd.), které mohou vést elektřinu.

## POUŽITÍ A PÉČE O AKUMULÁTOROVÝ STROJ

**⚠ UPOZORNĚNÍ:** Při práci používejte vhodné chrániče sluchu. Za určitých podmínek a určité době používání může hluk z tohoto výrobku přispět ke ztrátě sluchu.

## Školení

- Pečlivě si přečtěte tyto pokyny. Seznamte se s ovládacími prvky a správným použitím stroje.
- Osoby, které se neseznámily s těmito pokyny, nebo děti nesmí stroj používat. Místní předpisy mohou omezovat věk obsluhy.
- Nikdy neořezávejte trávnik, pokud jsou v blízkosti osoby, zejména děti, nebo domácí zvířata.
- Nezapomínejte, že je obsluha nebo uživatel zodpovědný za nehody nebo ohrožení jiných osob nebo jejich majetku.

## Příprava

- Během ořezávání vždy noste brýle a ochranu sluchu, pevnou obuv a dlouhé kalhoty.
- Pečlivě zkontrolujte povrch, kde budete zařízení používat, a odstraňte všechny kameny, klacky, dráty, kosti a další cizí tělesa.
- Před použitím vždy vizuálně zkontrolujte čepel, šroub čepel a řezací mechanismus, zda nejsou opotřebované nebo poškozené. Opotřebované nebo poškozené nože a šrouby vyměňujte v sadách z důvodu zachování vyvážení.

## Použití

- Ořezávejte pouze za denního světla nebo při dobrém umělém osvětlení.
- Ve svahu vždy dbejte na pevný postoj.
- Chodte, nikdy neběhejte.
- Dbejte zvýšené opatrnosti při jízdě vzad, nebo tažení ořezávače směrem k vám.
- Před přejezděním na jiné povrchy než tráva a při transportu ořezávače do a z oblasti, která má být ořezána, se ujistěte, že se čepel zastavila.
- Nikdy nepoužívejte ořezávač s vadnými, chybějícími nebo špatně připevněnými chrániči.
- Neměňte nastavení regulátoru motoru, nebo nezvyšujte počet otáček motoru.
- Zapněte motor opatrně podle pokynů a nohy udržujte v bezpečné vzdálenosti od čepelí.
- Nenaklápějte při zapnutí motoru, pouze pokud ořezávač musí být nakloněn pro spuštění. V tomto případě ho nenaklánějte víc, než je nezbytně nutné a zvedněte pouze tu část, která směřuje od obsluhy.
- Nespouštějte motor, pokud někdo stojí před čepelí.
- Nestrkejte ruce ani nohy do blízkosti nebo pod rotující části.

- Vždy vypněte motor a odpojte od akumulátoru:
  - 1) před odstraněním překážky;
  - 2) před kontrolou, čištěním nebo seřízením čepelí;
  - 3) po nárazu do cizího tělesa: Zkontrolujte čepel na poškození a před zahájením provozu ořezávače proveďte opravu;
  - 4) Pokud začne ořezávač neobvykle vibrovat (ihned zkontrolujte).
- Zastavte motor vždy, když opouštíte ořezávač;
- Akumulátor nenabíjejte v dešti nebo na mokřem místě.
- Používejte pouze akumulátory a nabíječky uvedené na obr. A.
- Před likvidací vyjměte ze zařízení akumulátor.
- Akumulátor likvidujte bezpečným způsobem.
- Akumulátory nevhazujte do ohně. Články mohou vybuchnout. O zvláštních pokynech pro likvidaci se informujte v místních právních předpisech.
- Akumulátor neotvírejte ani nezhodnocujte. Uniklý elektrolyt je žíravý a může způsobit poškození očí nebo kůže. Při požití může být toxický.
- Při manipulaci s akumulátory dbejte, aby nedošlo ke zkratu akumulátoru vodivými materiály, jako například prsteny, náramky nebo klíče. Akumulátor nebo vodič se mohou přehřát a způsobit popáleniny.
- Akumulátorové nářadí se nemusí zapojovat do elektrické zásuvky, proto jsou vždy v provozním stavu. Nezapomínejte na možná rizika ani v případě, že je nářadí vypnuté. Dbejte opatrnosti při údržbě.
- Nůžky nemýjte hadicí; dbejte, aby se do motoru a elektrických přípojek nedostala voda.

## Údržba a skladování

- Řádně utahujte všechny šrouby a matice pro zajištění bezpečného provozního stavu zařízení.
- Opotřeбенé nebo poškozené díly vyměňte.
- Nepokoušejte se stroj opravovat, pokud nejste k tomu kompetentní.
- Používejte pouze výrobcem doporučené náhradní díly a příslušenství.
- Před prováděním údržby nebo čištěním odpojte zařízení z baterie.
- Pravidelně stroj kontrolujte a udržujte. Opravu stroje svěřte pouze autorizovanému opraváři.
- Pokud se nepoužívá, skladujte stroj mimo dosah dětí.
- Pokud nastane situace, která není popsána v tomto návodu, použijte pečlivý a dobrý úsudek. O pomoc kontaktujte servisní středisko společnosti EGO.



- Uložte si tyto pokyny. Používejte je často a také k poučení dalších osob, které mohou toto nářadí používat. Pokud nářadí někomu půjčíte, půjčte mu také tento návod k obsluze, aby nedošlo k nesprávnému použití výrobků nebo případně k úrazu.

### TYTO POKYNY USCHOVEJTE PRO BUDOUCÍ POUŽITÍ!

**POZNÁMKA: VIZ NÁVOD PRO POHONNOU HLAVU PRO DODATEČNÁ BEZPEČNOSTNÍ PRAVIDLA.**

### SPECIFIKACE

Délka čepele	20 cm
Hloubka ořezávání	Až do 75 mm
Hmotnost nůžek	2,26 kg
Provozní teplota	-15°C - 40°C
Skladovací teplota	-20°C - 70°C
Měřená hladina akustického výkonu $L_{WA}$	92,4 dB(A) K=2,07 dB(A) (PH1400E)
	90,7 dB(A) K=1,46 dB(A) (PH1420E)
	90 dB(A) K=1,3 dB(A) (PHX1600)
Hladina akustického tlaku na sluch obsluhy $L_{PA}$	79,8 dB(A) K=3 dB(A) (PH1400E)
	81,2 dB(A) K=3 dB(A) (PH1420E)
	84 dB(A) K=3 dB(A) (PHX1600)
Zaručená úroveň akustického výkonu $L_{WA}$ (měřeno podlesměnice 2000/14/ES)	95 dB(A)

Vibrace $a_h$	Přední pomocná rukojeť	1,2 m/s <sup>2</sup> K=1,5 m/s <sup>2</sup> (PH1400E)
		1,95 m/s <sup>2</sup> K=1,5 m/s <sup>2</sup> (PH1420E)
		1,6 m/s <sup>2</sup> K=1,5 m/s <sup>2</sup> (PHX1600)
	Zadní rukojeť	2,2 m/s <sup>2</sup> K=1,5 m/s <sup>2</sup> (PH1400E)
		1,66 m/s <sup>2</sup> K=1,5 m/s <sup>2</sup> (PH1420E)
		1,53 m/s <sup>2</sup> K=1,5 m/s <sup>2</sup> (PHX1600)

- Výše uvedené parametry jsou testovány a měřeny s nástrojem vybaveným pohonnou hlavou PH1400E/PH1420E/PHX1600;
- Celková deklarovaná hodnota vibrací byla naměřena podle standardní zkušební metody a lze ji použít ke srovnání s jiným nářadím;
- Celkovou deklarovanou hodnotu vibrací lze použít také k předběžnému stanovení expozičních limitů.

**POZNÁMKA:** Emise vibrací při konkrétním použití elektrického nářadí se mohou lišit od deklarované hodnoty, při které se nářadí používá; z důvodu ochrany provozovatele by měl uživatel ve skutečných pracovních podmínkách nosit rukavice a chrániče sluchu.

### OBSAH BALENÍ

NÁZEV DÍLU	MNOŽSTVÍ
Nástavec pro ořezávač okrajů trávníků	1
Imbusový klíč	1
Multifunkční klíč	1
Závlačka	2
Návod k obsluze	1

**CZ**

## Doporučená čepel

NÁZEV DÍLU	ČÍSLO MODELU
Čepel ořezávače	AEB0800

## POPIS

### POZNEJTE VÁŠ NÁSTAVEC PRO OŘEZÁVAČ (Obr. A)

1. Koncovka
2. Hřídel ořezávače
3. Chránič čepele
4. Čepel
5. Knoflík nastavení hloubky
6. Vodicí kolečko
7. Imbusový klíč
8. Multifunkční klíč
9. Vodicí lišta nastavení hloubky
10. Záklapka pro suť
11. Závlačka
12. Našroubujte pro zajištění vodicí desky na svém místě
13. Vodicí deska

CZ

## MONTÁŽ

**VAROVÁNÍ:** Pokud jsou některé díly poškozené, nebo chybí, nepoužívejte výrobek, dokud se díly nevymění. Použití tohoto výrobku s poškozenými nebo chybějícími díly může vést k vážnému úrazu.

**VAROVÁNÍ:** Nepokoušejte se výrobek upravovat ani vytvářet příslušenství, které se k této strunové sekačce nedoporučuje. Každá taková změna nebo úprava je nesprávná a může vést k nebezpečné situaci, která může zapříčinit vážný úraz.

**VAROVÁNÍ:** Pokud provádíte montáž dílů, vždy vyjměte akumulátor ze stroje, aby nedošlo k neúmyslnému spuštění, které může způsobit vážný úraz.

**VAROVÁNÍ:** Při montáži nebo výměně krytu vždy používejte rukavice. Pozor na nůž na krytu, chráňte si ruce před pořezáním.

**VAROVÁNÍ:** Nikdy nepoužívejte stroj bez řádně nainstalovaného krytu. Kryt musí být vždy na stroji z důvodu ochrany uživatele! Pokud je kryt instalovaný napevno, nikdy se jej nepokoušejte odstranit nebo upravit; pokud je nezbytná výměna, musí být provedena

kvalifikovaným servisním technikem!

## PŘIPOJENÍ NÁSTAVCE PRO OŘEZÁVAČ NA POHONNOU HLAVU

Tento nástavec pro ořezávač je určen pro použití s EGO 56 V lithium-iontovou pohonnou hlavou PH1400E/PH1420E/PHX1600.

Viz část „**INSTALACE NÁSTAVCE NA POHONNOU HLAVU**“ v příručce pro obsluhu pohonné hlavy PH1400E/PH1420E/PHX1600.

## POUŽITÍ

**VAROVÁNÍ:** Dbejte, abyste se po seznámení s výrobkem nestali neopatrní. Nezapomínejte, že stačí chvíle nepozornosti a může se stát vážný úraz.

**VAROVÁNÍ:** Vždy používejte ochranu očí s bočními kryty. Spolu s chráničem sluchu. Pokud tak neučiníte, může dojít k vymrštění předmětu do očí, nebo případně jiným vážným úrazům.

## APLIKACE

Výrobek lze použít k následujícím účelům:

- Lemování kolem chodníků, okraje, květinové záhony a jiná podobná místa.

**POZNÁMKA:** Náradí se smí používat pouze k vyhrazenému účelu. Jakékoliv jiné použití se považuje za nesprávné.

## Před každým použitím zkontrolujte poškození/opotřebení dílů

Zkontrolujte strunovou hlavu, kryt, přední pomocnou rukojeť a vyměňte díly, které jsou prasklé, zdeformované, ohnuté nebo jinak poškozené.

**VAROVÁNÍ:** Před servisem, čištěním, výměnou nástavců nebo odstraněním materiálu vyjměte akumulátor z náradí, aby nedošlo k vážnému úrazu.

## POUŽITÍ NÁSTAVCE PRO OŘEZÁVAČ S POHONNOU HLAVOU

**VAROVÁNÍ:** Pro práci s tímto náradím se vhodně oblékněte, abyste snížili riziko úrazu. Nenoste volný oděv ani šperky. Používejte ochranu očí a chrániče sluchu. Noste odolné, dlouhé kalhoty, pevné boty a rukavice. Nenoste krátké kalhoty, sandály ani nechoďte bosí. V prašném prostředí používejte ochrannou masku nebo protiprachový respirátor.

**VAROVÁNÍ:** Odstraňte všechny překážky a pevné předměty z pracovní plochy.

Pro bezpečnější a lepší používání si dejte ramenní popruh přes rameno. Upravte ramenní popruh do pohodlné pracovní polohy.

Držte ořezávač s pravou rukou na zadní rukojeti a s levou rukou na přední pomocné rukojeti. Udržujte pevný úchop oběma rukama při provozu nářadí. Ořezávač by se měl držet v pohodlné poloze se zadní rukojetí ve výšce kyčelního kloubu (obr. B).

**VAROVÁNÍ:** Ramenní popruh je vybaven rychle vypínacím mechanismem pro nebezpečné situace. Dojde-li k nouzové situaci, okamžitě si odepněte popruh ze svého ramene bez ohledu na to, jakým způsobem je popruh připnutý.

#### Po každém použití ořezávač vyčistěte.

Viz část ÚDRŽBA pro pokyny k čištění.

#### NASTAVENÍ HLOUBKY ŘEZU

1. Zastavte motor a odstraňte akumulátor.
2. Uvolněte knoflík nastavení hloubky ve směru odemykací šipky vyznačené na knoflíku (obr. C).
3. Přesuňte vodící kolečko podél vodící lišty pro nastavení hloubky nahoru pro zvětšení hloubky řezu, nebo dolů pro zmenšení hloubky (obr. D).
4. Upravte vodící kolečko tak, aby se čepel právě dotýkala země, nebo tak, aby rozbíjela povrch půdy nejvíce 5 mm (viz obr. E), a poté ho pevně utáhněte.
5. Ve stoje a v normální pracovní poloze znovu zkontrolujte hloubku řezu a v případě potřeby ji opravte.

#### ZAPNUTÍ/VYPNUTÍ NÁSTROJE

Viz část „ZAPNUTÍ/VYPNUTÍ POHONNÉ HLAVY“ v příručce pro obsluhu pohonné hlavy PH1400E/PH1420E/PHX1600.

#### PROVOZNÍ TIPY

- Držte a vedte pohonnou hlavu tak, aby čepel byla ve svislé poloze. Použijte zaměřovací čáru pro zarovnání čepel s okrajem lůžka čepel (obr. F).
- Pracujte nejvíce při normální rychlosti chůze. V případě, že se čepel začne bořit, ořezáváte příliš rychle; zpomalte tempo.
- Vždy chodte dopředu při řezání a posunujte ořezávač dopředu. Netahejte ořezávač směrem k sobě.
- Netlačte čepel do země. Lehký kontakt čepel s okrajem chodníku, obrubníku, atd., je přijatelný a nepoškodí ořezávač.

- Nejlepších výsledků se dosáhne, když je tráva suchá. Neořezávejte v mokré půdě nebo vlhké travnaté plochy, jinak by se mohl ucpat chránič čepel, což může mít za následek nerovné okraje. V případě, že se ucpe chránič čepel, zastavte motor, vyjměte baterii a odstraňte nečistoty z chrániče čepel.

#### ÚDRŽBA

**VAROVÁNÍ:** Před kontrolou, čištěním nebo údržbou přístroje zastavte motor, počkejte, až se všechny pohyblivé díly zastaví a vyjměte baterii. Nedodržení těchto instrukcí může vést k vážnému zranění nebo poškození majetku.

**VAROVÁNÍ:** Při opravách používejte pouze originální náhradní díly. Pravidelně stroj kontrolujte a udržujte. Z důvodu bezpečnosti by měl všechny opravy provádět kvalifikovaný servisní technik.

#### CELKOVÁ ÚDRŽBA

K čištění plastových dílů nepoužívejte rozpouštědla. Většina plastů je náchylná k poškození různými typy komerčních rozpouštědel a jejich použití je může poškodit. K odstranění nečistot, prachu, oleje, maziva atd. použijte čisté hady.

#### ČIŠTĚNÍ NÁŘADÍ

- Po každém použití odstraňte měkkým kartáčkem suť, ucpanou zeminu nebo trávu na čepeli a chrániči. Otřete povrch ořezávače čistým hadrem navlhčeným ve slabém mýdlovém roztoku.
- K čištění větracích otvorů od nečistot a překážek na zadní části pouzdra použijte malý kartáč nebo proud vzduchu z malého vysavače.

**POZNÁMKA:** Na plastové pouzdro nebo rukojeť nepoužívejte žádné silné čisticí prostředky. Mohou být poškozeny některými aromatickými oleji, jako např. borovicovým nebo citronovým.

#### VÝMĚNA ČEPELE

**VAROVÁNÍ:** Nepokoušejte se narovnat nebo svařovat ohnutou nebo prasklou čepel, protože se může zlomit. Musí být vyměněna. Doporučujeme nahradit pouze za EGO ořezávací čepel, viz část „Doporučená čepel“.

**POZNÁMKA:** Vyměňte čepel, pokud její délka již nestačí k udržení potřebné světlé výšky a získání požadované hloubky řezu.

**VAROVÁNÍ:** Při údržbě čepel ořezávače si vždy chraňte ruce pevnými rukavicemi nebo zabalením břítů hadrem nebo jiným materiálem.

GZ

## Odstranění čepele

1. Zastavte motor a odstraňte akumulátor.
2. Položte ořezávač na jeho zadní stranu tak, aby čepel směřovala vzhůru.
3. Používejte ochranné rukavice. Použijte úzké kleště (nejsou součástí dodávky) k odstranění závlačky z motorové hřídele (obr. G).
4. Otočte čepel a vyrovnejte otvor v přírubě s otvorem v převodové skříní (obr. G).

Obr. G s popisem dílů:

G-1	Závlačka
G-2	Vnitřní příruba
G-3	Převodová skřín

5. Vložte dodaný imbusový klíč do vyrovnaných otvorů jako stabilizátor. Pomocí dodaného multifunkčního klíče povolte matici **VE SMĚRU HODINOVÝCH RUČÍČEK** (Obr. H).
6. Odstraňte matici, vnější přírubu, čepel a vnitřní přírubu z motorové hřídele (Obr. I). Zkontrolujte a vyměňte je, pokud jsou opotřebované.

Obr. I s popisem dílů:

I-1	Motorová hřídel	I-5	Nůž
I-2	Vnitřní příruba	I-6	Vnější příruba
I-3	Drážka na vnitřní přírubě	I-7	Matice
I-4	Vyboulení na vnitřní přírubě	I-8	Závlačka

## Instalace čepele

1. Umístěte vnitřní přírubu na motorovou hřídel s vyboulením směrem ven (obr. I).
2. Nainstalujte novou čepel na vnitřní přírubu tak, aby čepel byla bezpečně upevněna na svém místě (obr. J).
3. Namontujte vnější přírubu a matici na hřídel a rukou utáhněte matici **PROTI SMĚRU HODINOVÝCH RUČÍČEK**.
4. Postupujte podle výše uvedených kroků 4 a 5 v části „Odstranění čepele“ ke stabilizaci čepele a bezpečnému dotažení matice **PROTI SMĚRU HODINOVÝCH RUČÍČEK**.
5. Vložte novou dodanou závlačku do otvoru v motorové hřídeli. Ohněte konce závlačky v opačných směrech úzkými kleštěmi (nejsou součástí dodávky) (obr. G).

## VÝMĚNA VODÍČÍHO KOLEČKA

1. Zastavte motor a odstraňte akumulátor.
2. Položte ořezávač na jeho zadní stranu tak, aby vodící kolečko směřovalo vzhůru.

3. Uvolněte knoflík nastavení hloubky ve směru odemykací šipky vyznačené na knoflíku a vyjměte ho.
4. Vyjměte pružnou podložku, plochou podložku 1, vodící kolečko, pouzdro a plochou podložku 2 ze šroubovací oji (obr. K). Zkontrolujte a vyměňte je, pokud jsou opotřebované.
5. Nejprve namontujte šroubovací oj do vodící lišty pro nastavení hloubky, potom připojte plochou podložku 2, pouzdro a nové kolečko, dále připojte plochou podložku 1, pružnou podložku a knoflík nastavení hloubky na šroubovací oj v pořadí záznamném na obr. K.

Obr. K s popisem dílů:

K-1	Knoflík nastavení hloubky	K-5	Pouzdro
K-2	Pružná podložka	K-6	Plochá podložka 2
K-3	Plochá podložka 1	K-7	Šroubovací oj
K-4	Vodící kolečko	K-8	Vodící lišta nastavení hloubky

**POZNÁMKA:** Vodící kolečko by mělo být namontováno s plochými žebry směrem dovnitř (obr. L).

Obr. L s popisem dílů:

L-1	Šrouby	L-3	Záklapka pro suť
L-2	Ploché žebro	L-4	Upevňovací deska

6. Zajistěte knoflík nastavení hloubky.

## VÝMĚNA ZÁKLAPKY PRO SUŤ (Obr. L)

1. Zastavte motor a odstraňte akumulátor.
2. Použijte dodaný imbusový klíč pro uvolnění dvou šroubů.
3. Odstraňte šrouby, upevňovací desku a opotřebované záklapky pro suť.
4. Namontujte novou záklapku pro suť a zajistěte ji s upevňovací deskou a dvěma šrouby.

## KONTROLA A VÝMĚNA OCHRANNÉHO KRYTU PROTI OPOTŘEBENÍ/VODÍČÍ DESKY (Obr. M)

Před spuštěním nářadí zkontrolujte na poškození ochranný kryt proti opotřebení a vodící desku. Ochranný kryt proti opotřebení musí být vyměněn, jakmile je viditelná převodovka.

**POZNÁMKA:** Převodovka se může vážně poškodit, pokud nevyměníte ochranný kryt proti opotřebení, když je převodovka viditelná.

1. Zastavte motor a odstraňte akumulátor.
2. Používejte ochranné rukavice. Otočte podle potřeby čepel pro odkrytí dvou šroubů.
3. Použijte dodaný imbusový klíč pro uvolnění dvou šroubů a odstraňte je.

**POZNÁMKA:** Pokud stačí vyměnit vodící desku, uvolněte a odstraňte jen šroub 1.

4. Vyměňte deformovaný nebo opotřebený ochranný kryt proti opotřebení/vodící desku.
5. Namontujte nový ochranný kryt proti opotřebení a vodící desku na převodovku a zajistěte pomocí dvou šroubů.

Obr. M s popisem dílů:

M-1	Šroub 1	M-4	Ochranný kryt proti opotřebení
M-2	Vodící deska	M-5	Montážní otvory
M-3	Šroub 2	M-6	Převodová skříň

### ODSTRANĚNÍ VODICÍ DESKY

Pokud máte zkušenosti s tímto typem ořezávače, nebo pokud zjistíte, že vodící deska je překážkou při ořezávání, můžete odstranit vodící desku.

1. Uvolněte a odstraňte šroub 1.
2. Odstraňte vodící desku.
3. Vložte zpátky a utáhněte šroub 1.

### MAZÁNÍ PŘEVODOVKY

Převody v převodové skříni se musí pravidelně mazat převodovkovým tukem. Zkontrolujte hladinu převodového maziva v převodovce přibližně každých 50 hodin provozu odstraněním těsnícího šroubu na boku skříně.

Pokud na bocích převodovky není vidět žádný tuk, postupujte podle pokynů pro naplnění převodovým mazivem až do 3/4 kapacity.

Nezaplňte zcela převody.

1. Umístěte ořezávač do svislé polohy tak, aby těsnící šroub směřoval nahoru (obr. N).
2. Pomocí dodaného multifunkčního klíče povolte a odstraňte těsnící šroub. Použijte mazací stříkačku (není součástí dodávky) pro zavedení maziva do otvoru pro šroub; nepřekročte 3/4 kapacity.
3. Po naplnění utáhněte těsnící šroub.

### SKLADOVÁNÍ NÁŘADÍ

- Vyměňte akumulátor z ořezávače.
- Nářadí před uskladněním řádně vyčistěte.
- Je-li nástavec pro ořezávač odpojen od pohonné hlavy a skladován odděleně, namontujte koncovku na hřídel nástavce, aby se nečistoty nedostaly do spojky.
- Nářadí skladujte na suchém, dobře větraném, uzamčeném nebo vyvýšeném místě mimo dosah dětí. Nářadí neskladujte v blízkosti hnojiv, benzínu nebo jiných chemických látek.

### Ochrana životního prostředí



Elektrické zařízení, použité akumulátory a nabíječku nevhazujte do domovního odpadu! Tento výrobek předejte autorizované recyklační společnosti ke tříděnému sběru. Elektrické stroje musí být odevzdány do recyklačního zařízení na ekologicky šetrnou likvidaci.

## ODSTRAŇOVÁNÍ PROBLÉMŮ

PROBLÉM	PŘÍČINA	ŘEŠENÍ
Motor se nespustí.	<ul style="list-style-type: none"> <li>■ Akumulátor není připojen k pohonné hlavě.</li> <li>■ Bez elektrického kontaktu mezi pohonnou hlavou a akumulátorem.</li> <li>■ Akumulátor je vybitý.</li> <li>■ Tlačítko pojistky a spoušť nejsou stisknuté současně.</li> </ul>	<ul style="list-style-type: none"> <li>■ Připojte akumulátor na pohonnou hlavou.</li> <li>■ Vyměňte baterii, zkontrolujte kontakty a vložte akumulátor, dokud nezapadne na své místo.</li> <li>■ Nabijte akumulátor pomocí nabíječek EGO, které jsou uvedeny v tomto návodu k obsluze.</li> <li>■ Stlačte páku pojistky, držte ji a stisknutím spouště zapnete strunovou sekačku.</li> </ul>
Pohonná hlava se zastaví během provozu.	<ul style="list-style-type: none"> <li>■ Motor je přetížen.</li> <li>■ Akumulátor nebo pohonná hlava jsou příliš horké.</li> <li>■ Akumulátor je odpojený od nářadí.</li> <li>■ Akumulátor je vybitý.</li> </ul>	<ul style="list-style-type: none"> <li>■ Motor se zotaví po odstranění zátěže. Pro kontinuální práci snižte zatížení pohonné hlavy.</li> <li>■ Nechejte akumulátor nebo pohonnou hlavu zchladnout, dokud teplota neklesne pod 67°C.</li> <li>■ Znovu nainstalujte akumulátor.</li> <li>■ Nabijte akumulátor pomocí nabíječek EGO, které jsou uvedeny v tomto návodu k obsluze.</li> </ul>
Nerovnoměrná hrana	<ul style="list-style-type: none"> <li>■ Ořezávána tráva nebo půda jsou příliš mokré.</li> <li>■ Chránič čepele je ucpaný.</li> </ul>	<ul style="list-style-type: none"> <li>■ Neořezávejte v mokré půdě nebo mokré trávě.</li> <li>■ Zastavte motor, vyměňte baterii a odstraňte nečistoty z chrániče čepele.</li> </ul>

CZ

## ZÁRUKA

### ZÁRUKA SPOLEČNOSTI EGO

Úplné záruční podmínky společnosti EGO naleznete na webové stránce [egopowerplus.eu](http://egopowerplus.eu).

## PREČÍTAJTE SI VŠETKY POKYNY!



**PREČÍTAJTE SI NÁVOD NA OBSLUHU.**

**VAROVANIE:** Pre zaistenie bezpečnosti a spoľahlivosti je nevyhnutné, aby všetky opravy a výmeny vykonával len kvalifikovaný servisný technik.

## BEZPEČNOSTNÉ SYMBOLY

Účelom bezpečnostných symbolov je upozorniť vás na možné nebezpečenstvá. Venujte príslušnú pozornosť a pochopte bezpečnostné symboly a ich vysvetlenia. Varovné symboly, samy o sebe, nedokážu eliminovať nebezpečenstvo. Pokyny a varovania, ktoré obsahujú, nie sú náhradou za vhodné opatrenia na prevenciu úrazov.

**VAROVANIE:** Pred použitím tohto nástroja si prečítajte a pochopte všetky bezpečnostné pokyny v tomto návode na obsluhu, vrátane všetkých bezpečnostných výstražných symbolov, ako sú „**NEBEZPEČENSTVO**“, „**VAROVANIE**“ a „**UPOZORNENIE**“. Nedodržanie nižšie uvedených pokynov môže mať za následok úraz elektrickým prúdom, požiar a / alebo vážne zranenie.

## VÝZNAM SYMBOLU

**BEZPEČNOSTNÝ VÝSTRAŽNÝ SYMBOL:** Označuje **NEBEZPEČENSTVO**, **VAROVANIE**, alebo **UPOZORNENIE**. Môže byť použitý v spojení s inými symbolmi alebo piktogramami.



**VAROVANIE:** Prevádzka akéhokoľvek elektrického náradia môže viesť k vymršteniu cudzích predmetov do vašich očí, čo môže spôsobiť vážne poškodenie zraku. Skôr, ako začnete používať elektrické náradie, si vždy nasadte ochranné okuliare alebo ochranné okuliare s postrannými krytmi a prípadne celotvárový štít. Odporúčame použiť bezpečnostnú masku Wide Vision cez okuliare alebo štandardné bezpečnostné okuliare s postrannými krytmi.

## BEZPEČNOSTNÉ POKYNY

Táto strana zobrazuje a popisuje bezpečnostné symboly, ktoré sa objavujú na tomto výrobku. Pred pokusom o zostavenie a prevádzkovanie si prečítajte, pochopte a dodržiavajte všetky pokyny na stroji.

	Bezpečnostné upozornenie	Upozorňuje na potenciálne nebezpečenstvo úrazu.
	Prečítajte si návod na obsluhu.	Ak chcete znížiť riziko zranenia, používateľ musí pred použitím tohto výrobku prečítať a pochopiť návodu na obsluhu.
	Používajte ochranu sluchu a zraku	Pri práci s týmto výrobkom vždy noste ochranné okuliare alebo ochranné okuliare s postrannými krytmi a celotvárový štít.
	Dĺžka čepele orezávačky okrajov trávnik	Dĺžka čepele orezávačky okrajov trávnik
	Udržiavajte okoloostojace osoby v bezpečnej vzdialenosti	Vzdialenosť medzi strojom a okoloostojacími osobami musí byť najmenej 15 m.
	Smer otáčania čepele orezávača	Označuje smer otáčania čepele orezávača.
	Vymrštené predmety	Dôkladne skontrolujte povrch, kde budete zariadenie používať, a odstráňte všetky kamene, palice, drôty, kosti a iné cudzie predmety.
	Používajte ochrannú obuv.	Pri používaní tohto zariadenia noste protišmykovú bezpečnostnú obuv.
	Rotujúca rezná čepeľ	Nedávajte ruky alebo nohy do blízkosti rotujúcich častí alebo pod nich.

**SK**

	Udržujte dostatočnú vzdialenosť od elektrického vedenia.	Aby sa zabránilo úrazu elektrickým prúdom, nepracujte v dosahu 15 m od nadzemného elektrického vedenia. Kontakt s elektrickým vedením môže viesť k vážnemu zraneniu alebo úrazu elektrickým prúdom s následkom smrti.
	CE	Tento výrobok je v súlade s platnými smernicami ES.
	UKCA	Tento výrobok je v súlade s príslušnou britskou legislatívou.
	WEEE	Nepotrebné elektrické výrobky sa nesmú likvidovať spolu s domovým odpadom. Odovzdajte do autorizovaného recyklačného strediska.
	Hlučnosť	Garantovaná hladina akustického výkonu. Emisie hluku do prostredia podľa smernice Európskeho spoločenstva.
V	Volt	Napätie
mm	Millimeter	Dĺžka alebo veľkosť
cm	Centimeter	Dĺžka alebo veľkosť
kg	Kilogram	Hmotnosť
	Jednosmerný prúd	Typ alebo charakteristika prúdu

SK

## VŠEOBECNÉ BEZPEČNOSTNÉ UPOZORNENIA TÝKAJÚCE SA STROJA

**VAROVANIE:** Prečítajte si všetky bezpečnostné varovania, pokyny, ilustrácie a špecifikácie dodané s týmto strojom. Nedodržanie nižšie uvedených pokynov môže mať za následok úraz elektrickým prúdom, požiar a/alebo vážne zranenie.

## ODLOŽTE SI VŠETKY VAROVANIA A POKYNY PRE BUDÚCE POUŽITIE.

Pojem „stroj“ v upozorneniach sa vzťahuje na stroj napájaný zo siete (so šnúrou) alebo na stroj napájaný z akumulátora (bezšnúrový).

## BEZPEČNOSŤ PRACOVNÉHO PRIESTORU

- **Udržiavajte pracovisko čisté a dobre osvetlené.** Neporiadok alebo tmavé miesta spôsobujú nehody.
- **Nepoužívajte stroje vo výbušnom prostredí, napríklad v prítomnosti horľavých kvapalín, plynov alebo prachu.** Stroje vytvárajú iskry, ktoré môžu zapáliť prach alebo výpary.
- **Pri používaní stroja udržiavajte deti a okolostojace osoby mimo pracoviska.** Rozptyľovanie pozornosti môže viesť ku strate kontroly.

## ELEKTRICKÁ BEZPEČNOSŤ

- **Zástrčka stroja musí zodpovedať elektrickej zásuvke.** Nikdy a žiadnym spôsobom nemodifikujte zástrčku. Nepoužívajte žiadne rozbočovacie zástrčky s uzemneným strojom. Neupravené zástrčky a vhodné zásuvky obmedzia nebezpečenstvo úrazu elektrickým prúdom.
- **Zabráňte kontaktu tela s uzemnenými povrchmi, ako sú rúry, radiátory, sporáky a chladničky.** Dochádza k zvýšeniu rizika úrazu elektrickým prúdom, ak je vaše telo uzemnené.
- **Neprevádzkujte stroj v daždi alebo vo vlhkom prostredí.** Voda vstupujúca do stroja môže zvýšiť riziko úrazu elektrickým prúdom alebo poruchy, ktorá by mohla mať za následok zranenie osôb.
- **Nepoužívajte kábel nesprávnym spôsobom. Nikdy nepoužívajte kábel na nosenie, ťahanie alebo odpájanie stroja. Udržujte kábel v dostatočnej vzdialenosti od zdrojov tepla, oleja, ostrých hrán alebo pohyblivých častí.** Poškodená alebo zamotaná šnúra zvyšuje riziko zasiahnutia elektrickým prúdom.
- **Ak sa chystáte stroj použiť v exteriéroch, použite výhradne predĺžovaciu šnúru vhodnú na použitie v exteriéroch.** Použitie šnúry vhodnej pre použitie v exteriéroch znižuje riziko úrazu elektrickým prúdom.
- **Ak je používanie stroja vo vlhkom prostredí nevyhnutné, použite napájanie chránené prerušovačom obvodu uzemnenia (GFCI).** Použitie GFCI znižuje riziko úrazu elektrickým prúdom.

## OSOBNÁ BEZPEČNOSŤ

- **Buďte pozorní, sledujte to, čo robíte a používajte zdravý rozum pri práci so strojom. Nepoužívajte stroj, ak ste unavení alebo pod vplyvom drog, alkoholu alebo liekov.** Chvilková nepozornosť pri práci so strojom môže mať za následok vážne zranenie.
- **Používajte osobné ochranné pomôcky. Vždy používajte ochranu očí.** Ochranné prostriedky ako respirátor, protišmyková bezpečnostná obuv, prilba alebo chrániče sluchu použité za vhodných podmienok znižujú nebezpečenstvo zranenia.



- **Zabráňte neúmyselnému uvedeniu do prevádzky.** Pred pripojením k zdroju napájania a/alebo akumulátoru, pri zdvíhaní alebo prenášaní stroja sa uistite, že prepínač je vo vypnutej polohe. Prenášanie strojov s prstom na vypínači alebo zapájanie strojov, ktoré majú vypínač zapnutý, môže viesť k nehodám.
- **Pred spustením stroja vždy odstráňte nastavovací kľúč alebo náradie.** Kľúč alebo náradie, ktoré necháte pripovené k otáčajúcej sa časti stroja, môže spôsobiť zranenie osôb.
- **Nenakláňajte sa. Pri práci vždy dodržujte správny postoj a rovnováhu.** To umožňuje lepšiu ovládateľnosť stroja v nečakaných situáciách.
- **Noste vhodné oblečenie. Nenoste šperky alebo voľný odev.** Udržujte vlasy a oblečenie mimo dosah pohyblivých sa častí. Voľný odev, šperky alebo dlhé vlasy môžu byť zachytené pohybujúcimi sa dielmi.
- **Pokiaľ je náradie vybavené zariadením na zachytávanie prachu a úlomkov materiálu, skontrolujte, či je k náradiu správne pripovené.** Použitie odsávania prachu môže znížiť nebezpečenstvo, ktoré súvisí s prachom.
- **Nedovoľte, aby ste sa po získaní skúsenosti častým používaním stroja stali neobozretnými a ignorovali zásady bezpečnosti.** Nedbalá činnosť môže spôsobiť vážne zranenie za zlomok sekundy.

#### POUŽÍVANIE A STAROSTLIVOSŤ O STROJ

- **Netlačte na stroj silou. Použite správny stroj pre vašu aplikáciu.** Stroj bude pracovať lepšie a bezpečnejšie pri rýchlosti, na ktorú bol navrhnutý.
- **Nepoužívajte stroj, ak sa nedá zapnúť a vypnúť použitím vypínača.** Stroj, ktorý sa nedá ovládať vypínačom, je nebezpečný a musí sa opraviť.
- **Pred akýmkoľvek úpravami, výmenou príslušenstva alebo uskladnením stroja odpojte zástrčku od zdroja napájania a/alebo vyberte zo stroja akumulátor, ak je odpojiteľný.** Takéto preventívne bezpečnostné opatrenia znižujú riziko náhodného spustenia stroja.
- **Nečinný stroj skladujte mimo dosahu detí a nedovoľte osobám, ktoré nie sú oboznámené so strojom alebo s týmto návodom, aby stroj obsluhovali.** Stroje sú v rukách nevyškolených používateľov nebezpečné.
- **Vykonávajte údržbu strojov a príslušenstva. Kontrolujte nastavenie pohyblivých častí, poškodenie dielov a akékoľvek ďalšie okolnosti, ktoré môžu mať vplyv na funkciu stroja.** Ak je poškodený, nechajte ho pred použitím opraviť. Mnoho

nehôd spôsobujú zle udržiavané stroje.

- **Rezacie stroje udržiavajte ostré a čisté.** Starostlivo ošetrované rezacie stroje s ostrými čepeľami menej pravdepodobne uviaznu a jednoduchšie sa ovládajú.
- **Používajte stroj, príslušenstvo, nadstavce apod. podľa týchto pokynov a rešpektujte pritom pracovné podmienky a vykonávanú činnosť.** Použitie stroja na iné ako určené účely môže viesť k nebezpečným situáciám.
- **Udržujte rukoväte a uchopovacie plochy suché, čisté, bez oleja a maziva.** Klzké držadlá a uchopovacie plochy neumožňujú bezpečnú manipuláciu so strojom a jeho ovládanie v nečakaných situáciách.

#### POUŽÍVANIE A STAROSTLIVOSŤ O AKUMULÁTOROVÝ STROJ

- **Nabíjajte len pomocou nabíjačky špecifikovanej výrobcom.** Nabíjačka, ktorá je vhodná pre jeden typ batérie, môže predstavovať pri nabíjaní iného typu batérie nebezpečenstvo.
- **Používajte stroje a s výslovné určenými akumulátormi.** Použitie iných typov akumulátorov môže spôsobiť riziko úrazu a požiaru.
- **Ak sa akumulátor nepoužíva, držte ho mimo iných kovových predmetov, ako sú sponky, mince, kľúče, kince, skrutkovače alebo iné malé kovové predmety, ktoré by mohli navzájom prepojiť kontakty akumulátora.** Skratovanie kontaktov akumulátora môže spôsobiť popálenie alebo požiar.
- **Za nevhodných podmienok môže z akumulátora unikať kvapalina. Zabráňte kontaktu. Pri náhodnom kontakte opláchnite vodou. Pri zasiahnutí očí vyhľadajte lekársku pomoc.** Unikajúca kvapalina z akumulátora môže spôsobiť podráždenie pokožky alebo popálenie.
- **Nepoužívajte akumulátor alebo stroj, ktoré sú poškodené alebo upravené.** Poškodené alebo upravené batérie mať nepredvídateľné chovanie, ktoré môže viesť k požiaru, výbuchu alebo nebezpečenstvu poranenia.
- **Nevystavujte akumulátor ani stroj ohňu alebo nadmernej teplote.** Pri vystavení ohňu alebo teplote nad 130 ° C môže dôjsť k výbuchu.
- **Dodržujte všetky pokyny pre nabíjanie a nenabíjajte akumulátor alebo stroj mimo teplotného rozsahu uvedeného v pokynoch.** Nesprávne nabíjanie alebo nabíjanie pri teplotách mimo stanovený rozsah môže poškodiť akumulátor a zvýšiť riziko požiaru.

#### DÔLEŽITÉ BEZPEČNOSTNÉ POKYNY

SK

**⚠ VAROVANIE:** Pri používaní strunových kosačiek sa musia vždy dodržiavať základné bezpečnostné opatrenia pre zníženie rizika vzniku požiaru, úrazu elektrickým prúdom alebo poranenia osôb, vrátane nasledujúcich:

## PRED POUŽITÍM SI POZORNE PREČÍTAJTE

### ODLOŽTE SI PRE BUDÚCU POTREBU

**⚠ NEBEZPEČENSTVO:** Nespoliehajte sa izoláciu nástroja, ktorá má chrániť pred úrazom elektrickým prúdom. Ak chcete znížiť riziko úrazu elektrickým prúdom, nikdy nepoužívajte stroj v blízkosti akýchkoľvek drôtov alebo káblov (napájanie, atď.), ktoré môžu viesť elektrický prúd.

**⚠ UPOZORNENIE:** Počas používania používajte vhodné osobné prostriedky na ochranu sluchu. Za určitých podmienok a dlhšom použití môže hluk z tohto výrobku prispieť k poškodeniu sluchu.

### Školenie

- Prečítajte si pozorne tieto pokyny. Zoznámte sa s ovládacími prvkami a správnym používaním stroja.
- Nikdy nedovoľte ľuďom, ktorí nie sú oboznámení s týmito pokynmi, alebo deťom používať stroj. Miestne predpisy môžu obmedzovať vek obsluhy.
- Nikdy neorezávajte trávnik, ak sú v blízkosti osoby, najmä deti, alebo domáce zvieratá.
- Majte na pamäti, že obsluha alebo používateľ nesie plnú zodpovednosť za nehody a nepredvídané udalosti voči iným osobám a ich majetku.

### Príprava

- Počas orezávania vždy noste okuliare a ochranu sluchu, pevnú obuv a dlhé nohavice.
- Dôkladne skontrolujte povrch, kde budete zariadenie používať, a odstráňte všetky kamene, palice, drôty, kosti a iné cudzie predmety.
- Pred použitím vždy vizuálne skontrolujte čepele, skrutku čepele a rezací mechanizmus na to, či nie sú opotrebované alebo poškodené. Vymeňte opotrebované alebo poškodené čepele a skrutky naraz, aby ste zachovali vyváženie.

### Používanie

- Orezávajte len za denného svetla alebo pri dobrom umelom osvetlení.
- Vždy sa uistite o vašom postoji na svahoch.
- Kráčajte, nikdy nebežte.

- Buďte mimoriadne opatrní pri cúvaní, alebo ťahaní orezávača smerom k sebe.
- Pred prechádzaním na iné povrchy, ako je tráva a pri prenose orezávača do a z oblasti, ktorá má byť orezaná, sa uistite, že sa čepeľ zastavila.
- Nikdy nepoužívajte orezávač s chybnými, chýbajúcimi alebo nesprávne pripevnenými chráničmi.
- Nemeňte nastavenie regulátora motora, alebo nezvyšujte počet otáčok motora.
- Zapnite motor opatrne podľa pokynov a nohy udržujte v bezpečnej vzdialenosti od čepele.
- Nenakláňajte pri zapnutí motora, len ak je nutné orezávač nakloniť pre spustenie. V tomto prípade ho nenakláňajte viac, než je nevyhnutne nutné a zdvihnite iba tú časť, ktorá smeruje od obsluhy.
- Nespúšťajte motor, ak niekto stojí pred čepeľou.
- Nedávajte ruky alebo nohy do blízkosti rotujúcich častí alebo pod nich.
- Vždy vypnite motor a odpojte od akumulátora:
  - 1) pred odstránením prekážky;
  - 2) pred kontrolou, čistením alebo nastavením čepele;
  - 3) po náraze na cudzí predmet: Skontrolujte čepele na poškodenie a pred zahájením používania orezávača urobte opravu;
  - 4) ak začne orezávač neobvykle vibrovať (ihneď skontrolujte).
- Zastavte motor vždy, keď opúšťate orezávač.
- Nedobíjajte akumulátor v daždi alebo vo vlhkom prostredí.
- Používajte iba s akumulátormi a nabíjačkami, ktoré sú uvedené na obr. A.
- Pred likvidáciou musí byť akumulátor odstránený zo spotrebiča.
- Batérie likvidujte bezpečným spôsobom.
- Batérie nevyhadzujte do ohňa. Články môžu explodovať. Pozrite si miestne vyhlášky so špeciálnymi pokynmi na likvidáciu.
- Neotvárajte alebo nepoškodzuje batérie. Uvoľnený elektrolyt je žieravina a môže spôsobiť poškodenie očí alebo kože. Môže byť toxická pri požití.
- Pri manipulácii s batériami buďte opatrní, aby nedošlo ku skratovaniu batérie vodivými materiálmi, ako sú prstene, náramky a kľúče. Batérie alebo vodiče sa môžu prehriať a spôsobiť popálenie.
- Nástroje na batérie nemusia byť zapojené do elektrickej zásuvky; preto sú vždy v prevádzkovom stave. Buďte si vedomí možných rizík, aj keď sa nástroj nepoužíva. Buďte opatrní pri vykonávaní údržby alebo servisu.

- Neumývajte s hadicou; zabráňte tomu, aby sa voda dostala do motora a elektrických prípojk.

### Údržba a skladovanie

- Udržujte všetky matice a skrutky utiahnuté, aby bol prístroj v bezpečnom prevádzkovom stave.
- Vymeňte opotrebované alebo poškodené diely.
- Nepokúšajte sa stroj opravovať, ak nie ste na to kompetentní.
- Používajte iba výrobcom odporúčané náhradné diely a príslušenstvo.
- Pred robením údržby alebo čistením odpojte zariadenie od batérie.
- Pravidelne kontrolujte a udržiavajte stroj. Nechajte stroj opraviť len u autorizovaného odborníka.
- Keď stroj nepoužívate, uskladnite ho mimo dosahu detí.
- Ak sa vyskytnú situácie, ktoré nie sú zahrnuté v tomto návode, dávajte pozor a použite zdravý úsudok. Obráťte sa na servisné stredisko EGO pre pomoc.
- Odložte si tieto pokyny. Používajte ich často a používajte ich tiež na poučenie ostatných, ktorí môžu tento nástroj používať. Ak požičiate tento nástroj niekomu inému, požičajte mu aj tieto pokyny, aby sa zabránilo zneužitiu výrobku a prípadným zraneniam.

### ODLOŽTE SI TIETO POKYNY!

**POZNÁMKA: POZRITE SI NÁVOD PRE POHONNÚ HLAVU PRE DODATOČNE BEZPEČNOSTNÉ PRAVIDLÁ.**

### TECHNICKÉ ÚDAJE

Dĺžka čepele	20 cm
Hĺbka orezávania	Až do 75 mm
Hmotnosť	2,26 kg
Prevádzková teplota	-15°C - 40°C
Skladovacia teplota	-20°C - 70°C
Hladina akustického výkonu $L_{WA}$	92,4 dB(A) K=2,07 dB(A) (PH1400E)
	90,7 dB(A) K=1,46 dB(A) (PH1420E)
	90 dB(A) K=1,3 dB(A) (PHX1600)

Hladina akustického tlaku pri uchu obsluhy $L_{PA}$	79,8 dB(A) K=3 dB(A) (PH1400E)	
	81,2 dB(A) K=3 dB(A) (PH1420E)	
	84 dB(A) K=3 dB(A) (PHX1600)	
Garantovaná hladina akustického výkonu $L_{WA}$ (meraná podľa 2000/14/EC)		95 dB(A)
Vibrácie $h$	Predná pomocná rukoväť	1,2 m/s <sup>2</sup> K=1,5 m/s <sup>2</sup> (PH1400E)
		1,95 m/s <sup>2</sup> K=1,5 m/s <sup>2</sup> (PH1420E)
		1,6 m/s <sup>2</sup> K=1,5 m/s <sup>2</sup> (PHX1600)
	Zadná rukoväť	2,2 m/s <sup>2</sup> K=1,5 m/s <sup>2</sup> (PH1400E)
		1,66 m/s <sup>2</sup> K=1,5 m/s <sup>2</sup> (PH1420E)
		1,53 m/s <sup>2</sup> K=1,5 m/s <sup>2</sup> (PHX1600)

SK

- Vyššie uvedené parametre sú testované a merané s nástrojom vybaveným pohonnou hlavou PH1400E/PH1420E/PHX1600;
- Uvádzaná celková hodnota vibrácií bola meraná v súlade so štandardnou skúšobnou metódou a môže byť použitá na porovnanie jedného zariadenia s iným;
- Uvádzaná celková hodnota vibrácie sa môže použiť aj na predbežný odhad expozície.

**POZNÁMKA:** Emisia vibrácií pri skutočnom používaní náradia sa môže odlišovať od deklarovanej hodnoty, pri akej sa nástroj používa; Za účelom ochrany obsluhy má používateľ v skutočných podmienkach použitia nosiť rukavice a ochranu sluchu.

## OBSAH BALENIA

NÁZOV DIELU	MNOŽSTVO
Nástavec pre orezávač okrajov trávnik	1
Imbusový kľúč	1
Multifunkčný kľúč	1
Závlačka	2
Návod na obsluhu	1

### Odporúčaná čepeľ

NÁZOV DIELU	ČÍSLO MODELU
Čepeľ orezávača	AEB0800

## POPIS

### POZNAJTE VÁŠ NÁSTAVEC PRE OREZÁVAČ (Obr. A)

SK

- Koncovka
- Hriadeľ orezávača
- Chránič čepele
- Čepeľ
- Gombík nastavenia hĺbky
- Vodiace koliesko
- Imbusový kľúč
- Multifunkčný kľúč
- Vodiaca lišta nastavenia hĺbky
- Záves pre sutinu
- Závlačka
- Naskrutkujte pre zabezpečenie vodiacej dosky na mieste
- Vodiaca doska

## ZOSTAVA

**VAROVANIE:** Ak akýkoľvek diel chýba, alebo je poškodený, nepoužívajte tento výrobok, kým nie sú vymenené diely. Ak používate tento výrobok s poškodenými alebo chýbajúcimi časťami, môže dôjsť k vážnemu zraneniu.

**VAROVANIE:** Nepokúšajte sa upravovať tento výrobok alebo vytvoriť príslušenstvo, ktoré nie je odporúčané pre použitie s touto strunovou kosačkou. Každá takáto zmena alebo úprava je zneužitím a môže viesť k nebezpečnému stavu spôsobujúcemu vážne poranenie.

**VAROVANIE:** Pri montáži dielov vždy vyberte akumulátor zo stroja, aby ste zabránili náhodnému spusteniu, ktoré by mohlo spôsobiť vážne zranenia.

**VAROVANIE:** Pri montáži alebo výmene chrániča vždy používajte rukavice. Dajte si pozor na ostré hrany na chrániči a chráňte si ruky pred poraniam.

**VAROVANIE:** Nikdy nepoužívajte náradie bez nasadeného ochranného krytu. Chránič musí byť vždy na stroji pre ochranu používateľa! Keď je chránič pripevnený, nikdy sa nepokúšajte ho odobrať alebo upraviť. Ak je nutná výmena, nechajte ju vykonať oprávnenému servisnému technikovi!

### PRIPOJENIE NÁSTAVCA PRE OREZÁVAČ NA POHONNÚ HLAVU

Tento nástavec pre orezávač je určený na použitie s EGO 56 V lítium-iónovou pohonnou hlavou PH1400E/PH1420E/PHX1600.

Pozrite si časť „INŠTALÁCIA NÁSTAVCA NA POHONNÚ HLAVU“ v návode na obsluhu pohonnej hlavy PH1400E/PH1420E/PHX1600.

## OBSLUHA

**VAROVANIE:** Nedovoľte, aby ste sa po zoznamení s týmto výrobkom stali neopatrnými. Zapamätajte si, že zlomok sekundy neopatrnosti postačuje na spôsobenie vážneho poranenia.

**VAROVANIE:** Vždy používajte ochranu zraku s bočnými ochrannými krytmi. Spolu s ochranou sluchu. Ak tak neurobíte, môže dôjsť k vyvráteniu predmetov do očí a iným možným vážnym zraneniam.

### APLIKÁCIE

Tento výrobok môžete použiť na nižšie uvedené účely:

- Lemovanie okolo chodníkov, okraje, kvetinové záhony a iné podobné miesta.

**POZNÁMKA:** Nástroj sa musí používať len na predpísané účely. Každé iné použitie sa považuje za prípad zneužitia.

**Pred každým použitím skontrolujte, či nie sú poškodené / opotrebované diely**

Skontrolujte strunovú hlavu, chránič a prednú pomocnú rukoviť a diely, ktoré sú prasknuté, zdeformované, ohnuté, alebo inak poškodené.

**VAROVANIE:** Aby nedošlo k vážnemu zraneniu, tak pred vykonávaním údržby, čistením, výmenou príslušenstva alebo odstraňovaním materiálu z prístroja vyberte akumulátor z náradia.

### POUŽITIE NÁSTAVCA PRE OREZÁVAČ S Pohonnou hlavou

**VAROVANIE:** Oblečte sa vhodne pri práci s týmto náradím, aby sa znížilo riziko poranenia. Nenoste šperky alebo voľný odev. Používajte ochranu očí a sluchu. Oblečte si odolné, dlhé nohavice, vysoké topánky a rukavice. Nenoste krátke nohavice, sandále alebo nebuďte naboso. Používajte masku alebo masku proti prachu v prašnom prostredí.

**VAROVANIE:** Odstráňte všetky prekážky a pevné predmety z pracovnej plochy.

Pre bezpečnejšie a lepšie používanie si dajte ramenný popruh cez rameno. Upravte ramenný popruh do pohodlnej pracovnej polohy.

Držte orezávač s pravou rukou na zadnej rukovi a s ľavou rukou na prednej pomocnej rukovi. Udržujte pevný úchop obomi rukami pri používaní náradia. Orezávač by sa mal držať v pohodlnej polohe so zadnou rukoväťou vo výške bedrového kľbu (obr. B).

**VAROVANIE:** Ramenný popruh má takisto rýchlovyvípací mechanizmus pre nebezpečné situácie. Ak dôjde k núdzovej situácii, ihneď si popruh odopnite zo svojho ramena bez ohľadu na to, akým spôsobom je popruh pripnutý.

### Po každom použití orezávač vyčistite.

Pozrite si časť ÚDRŽBA pre pokyny na čistenie.

### NASTAVENIE HĽBKY REZU

1. Zastavte motor a vyberte akumulátor.
2. Uvoľnite gombík nastavenia hĺbky v smere odomykacej šípky vyznačenej na gombíku (obr. C).
3. Presuňte vodiace koliesko pozdĺž vodiacej lišty pre nastavenie hĺbky hore pre zväčšenie hĺbky rezu, alebo dole pre zmenšenie hĺbky (obr. D).
4. Upravte vodiace koliesko tak, aby sa čepeľ práve dotýkala zeme, alebo tak, aby rozbíjala povrch pôdy najviac 5 mm (obr. E), a potom ho pevne dotiahnite.
5. V stojí a v normálnej pracovnej polohe znovu skontrolujte hĺbku rezu a v prípade potreby ju opravte.

### ZAPNUTIE/VYPNUTIE NÁSTROJA

Pozrite si časť „ZAPNUTIE/VYPNUTIE Pohonnej hlavy“ v návode na obsluhu pohonnej hlavy PH1400E/PH1420E/PHX1600.

### PREVÁDZKOVÉ RADY

- Držte a vedte pohonnú hlavu tak, aby čepeľ bola vo zvislej polohe. Použite zameriavaciu čiaru na zarovnanie čepele s okrajom lôžka čepele (obr. F).
- Pracujte najviac pri normálnej rýchlosti chôdze. V prípade, že sa čepeľ začne zabárať, orezávate príliš rýchlo; spomaľte tempo.
- Vždy chodte dopredu pri rezaní a posúvajte orezávač dopredu. Neťahajte orezávač smerom k sebe.
- Netlačte čepeľ do zeme. Ľahký kontakt čepele s okrajom chodníka, obrubníka, atď. je prijateľný a nepoškodí orezávač.
- Najlepšie výsledky sa dosiahnu, ak je tráva suchá. Neorezávajte v mokrej pôde alebo vlhké trávnaté plochy, inak by sa mohol upchať chránič čepele, čo môže mať za následok nerovné okraje. V prípade, že sa upchá chránič čepele, zastavte motor, vyberte akumulátor a odstráňte nečistoty z chrániča čepele.

### ÚDRŽBA

**VAROVANIE:** Pred kontrolou, čistením alebo údržbou prístroja zastavte motor, počkajte, kým sa všetky pohyblivé diely zastavia a vyberte akumulátor. Nedodržanie týchto pokynov môže viesť k vážnemu zraneniu alebo poškodeniu majetku.

**VAROVANIE:** Pri servise používajte iba identické náhradné diely. Pravidelne kontrolujte a udržiavajte stroj. Pre zaistenie bezpečnosti a spoľahlivosti je nevyhnutné, aby všetky opravy vykonával len kvalifikovaný servisný technik.

### CELKOVÁ ÚDRŽBA

Na čistenie plastových dielov nepoužívajte rozpúšťadlá. Väčšina plastov je náchylná na poškodenie z rôznych typov komerčných rozpúšťadiel a môžu sa poškodiť, ak sa použijú. Použite čisté handry na odstránenie nečistôt, prachu, oleja, maziva, atď.

### ČISTENIE PRÍSTROJA

- Po každom použití odstráňte mäkkou kefou sutinu, upchanú zeminu alebo trávu na čepeľi a chrániči. Utrite povrch orezávača čistou handrou navlhčenou v slabom mydlovom roztoku.
- Použite malú kefu alebo vzduch z malého vysávača s kefkou na vyčistenie vetracích otvorov od nečistôt na zadnom kryte.

SK

**POZNÁMKA:** Nepoužívajte žiadne silné čistiace prostriedky na plastovom kryte alebo rukoväti. Môžu byť poškodené určitými aromatickými olejmi, ako je borovica a citrón.

## VÝMENA ČEPELE

**VAROVANIE:** Nepokúšajte sa narovnať alebo zvrátať ohnutú alebo prasknutú čepeľ, pretože sa môže zlomiť. Musí byť vymenená. Odporúčame vymeniť len za EGO orezávaciu čepeľ, pozrite si časť „**Odporúčaná čepeľ**“.

**POZNÁMKA:** Vymeňte čepeľ, ak jej dĺžka už nestačí na udržanie potrebnej svetlej výšky a získanie požadovanej hĺbky rezu.

**VAROVANIE:** Pri údržbe čepele orezávača si vždy chráňte ruky pevnými rukavicami alebo zabalením ostria do handry alebo iného materiálu.

## Odstránenie čepele

1. Zastavte motor a vyberte akumulátor.
2. Položte orezávač na jeho zadnú stranu tak, aby čepeľ smerovala hore.
3. Používajte ochranné rukavice. Použite úzke kliešte (nie sú súčasťou dodávky) na odstránenie závlačky z motorového hriadeľa (obr. G).
4. Otočte čepeľ a vyrovnajte otvor v prírubе s otvorom v prevodovej skrini (obr. G).

Obr. G s popisom dielov:

G-1	Závlačka
G-2	Vnútorná príruба
G-3	Prevodová skriniа

5. Vložte dodaný imbusový kľúč do zarovnaných otvorov ako stabilizátor. Pomocou dodaného multifunkčného kľúča povoľte maticu **V SMERE HODINOVÝCH RUČÍČIEK** (Obr. H).
6. Odstráňte maticu, vonkajšiu prírubu, čepeľ a vnútornú prírubu z motorového hriadeľa (Obr. I). Skontrolujte a vymeňte ich, ak sú opotrebované.

Obr. I s popisom dielov:

I-1	Motorový hriadeľ	I-5	Nôž
I-2	Vnútorná príruба	I-6	Vonkajšia príruба
I-3	Drážka na vnútornej prírubе	I-7	Matica
I-4	Výklenok na vnútornej prírubе	I-8	Závlačka

## Inštalácia čepele

1. Umiestnite vnútornú prírubu na motorový hriadeľ s výklenkom smerom von (obr. I).
2. Nainštalujte novú čepeľ na vnútornú prírubu tak, aby čepeľ bola bezpečne upevnená na svojom mieste (obr. J).
3. Namontujte vonkajšiu prírubu a maticu na hriadeľ a rukou utiahnite maticu **PROTI SMERU HODINOVÝCH RUČÍČIEK**.
4. Postupujte podľa vyššie uvedených krokov 4 a 5 v časti „Odstránenie čepele“ na stabilizáciu čepele a pevne dotiahnite maticu **PROTI SMERU HODINOVÝCH RUČÍČIEK**.
5. Vložte novú dodanú závlačku do otvoru v motorovom hriadeľi. Ohnite konce závlačky do opačných smerov úzkymi kliešťami (nie sú súčasťou dodávky) (obr. G).

## VÝMENA VODIACEHO KOLIESKA

1. Zastavte motor a vyberte akumulátor.
2. Položte orezávač na jeho zadnú stranu tak, aby vodiace koliesko smerovalo hore.
3. Uvoľnite gombík nastavenia hĺbky v smere odomykacej šípky vyznačenej na gombíku a vyberte ho.
4. Vyberte pružnú podložku, plochú podložku 1, vodiace koliesko, puzdro a plochú podložku 2 zo skrutkovacej tyče (obr. K). Skontrolujte a vymeňte ich, ak sú opotrebované.
5. Najprv namontujte skrutkovaciu tyč do vodiacej lišty pre nastavenie hĺbky, potom pripojte plochú podložku 2, puzdro a nové koliesko, ďalej pripojte plochú podložku 1, pružnú podložku a gombík nastavenia hĺbky na skrutkovaciu tyč v poradí znázornenom na obr. K.

Obr. K s popisom dielov:

K-1	Gombík nastavenia hĺbky	K-5	Puzdro
K-2	Pružná podložka	K-6	Plochá podložka 2
K-3	Plochá podložka 1	K-7	Skrutkovacia tyč
K-4	Vodiace koliesko	K-8	Vodiaca lišta nastavenia hĺbky

**POZNÁMKA:** Vodiace koliesko by malo byť namontované s plochými rebrami smerom dovnútra (obr. L).

Obr. L a popisom dielov:

L-1	Skrutky	L-3	Záves pre sutinu
L-2	Ploché rebro	L-4	Upevňovacia doska

6. Zaistíte gombík nastavenia hĺbky.

### VÝMENA ZÁVESU PRE SUTINU (Obr. L)

1. Zastavte motor a vyberte akumulátor.
2. Použite dodaný imbusový kľúč na uvoľnenie dvoch skrutiek.
3. Odstráňte skrutky, upevňovaciu dosku a opotrebovaný záves pre sutinu.
4. Namontujte nový záves pre sutinu a zaistíte ho s upevňovacou doskou a dvomi skrutkami.

### KONTROLA A VÝMENA OCHRANNÉHO KRYTU PROTI OPOTREBOVANIU/VODIACEJ DOSKY (Obr. M)

Pred spustením náradia skontrolujte na poškodenie ochranný kryt proti opotrebovaniu a vodiacu dosku. Ochranný kryt proti opotrebovaniu musí byť vymenený, keď je viditeľná prevodovka.

**POZNÁMKA:** Prevodovka sa môže vážne poškodiť, ak nevymeníte ochranný kryt proti opotrebovaniu, keď je prevodovka viditeľná.

1. Zastavte motor a vyberte akumulátor.
2. Používajte ochranné rukavice. Otočte podľa potreby čepeľ na odkrytie dvoch skrutiek.
3. Použite dodaný imbusový kľúč na uvoľnenie dvoch skrutiek a odstráňte ich.

**POZNÁMKA:** Ak stačí vymeniť vodiacu dosku, uvoľnite a odstráňte len skrutku 1.

4. Vymeňte deformovaný alebo opotrebovaný ochranný kryt proti opotrebovaniu/vodiacu dosku.
5. Namontujte nový ochranný kryt proti opotrebovaniu a vodiacu dosku na prevodovku a zaistíte pomocou dvoch skrutiek.

Obr. M s popisom dielov:

M-1	Skrutka 1	M-4	Ochranný kryt proti opotrebovaniu
M-2	Vodiaca doska	M-5	Montážne otvory
M-3	Skrutka 2	M-6	Prevodová skriňa

### ODSTRÁNENIE VODIACEJ DOSKY

Ak máte skúsenosti s týmto typom orezávača, alebo ak zistíte, že vodiaca doska je prekážkou pri orezávaní, môžete odstrániť vodiacu dosku.

1. Uvoľnite a odstráňte skrutku 1.
2. Odstráňte vodiacu dosku.
3. Vložte naspať a utiahnete skrutku 1.

### MAZANIE PREVODOVKY

Prevody v prevodovej skriňi sa musia pravidelne mazať prevodovým mazivom. Skontrolujte hladinu prevodového maziva v prevodovke približne každých 50 prevádzkových hodín odstránením tesniacej skrutky na boku skrine.

Ak na stranách prevodov nie je vidno žiadne mazivo, postupujte podľa pokynov pre naplnenie prevodovým mazivom až do 3/4 kapacity.

Nezaplňte celkom prevody.

1. Umiestnite orezávač do zvislej polohy tak, aby tesniaca skrutka smerovala hore (obr. N).
2. Pomocou dodaného multifunkčného kľúča povoľte a odstráňte tesniacu skrutku. Použite mazaciu striekačku (nie je súčasťou dodávky) na zavedenie maziva do otvoru pre skrutku; neprekročte 3/4 kapacity.
3. Po naplnení utiahnete tesniacu skrutku.

### USKLADNENIE PRÍSTROJA

- Vyberte akumulátor z orezávača.
- Pred uložením prístroj dôkladne vyčistite..
- Ak je nástavec pre orezávač odpojený od pohonnej hlavy a skladovaný oddelene, namontujte koncovku na hriadeľ nástavca, aby sa nečistoty nedostali do spojky.
- Prístroj skladujte na suchom a dobre vetranom uzamknutom alebo vyvýšenom mieste mimo dosahu detí. Prístroj neskladujte v blízkosti hnojív, benzínu alebo iných chemikálií.

### Ochrana životného prostredia



Nevyhadzujte elektrické zariadenia, nabíjačku a použité akumulátory do domového odpadu! Tento výrobok odnesť na autorizované recyklačné miesto a poskytnite ho na separovaný zber. Elektrické stroje sa musia odovzdať do príslušného zariadenia na ekologicky šetrnú recykliáciu.

SK

## ODSTRAŇOVANIE PROBLÉMOV

PROBLÉM	PRÍČINA	RIEŠENIE
Motor sa nespustí.	<ul style="list-style-type: none"> <li>■ Akumulátor nie je pripojený na pohonnú hlavu.</li> <li>■ Bez elektrického kontaktu medzi pohonnou hlavou a akumulátorom.</li> <li>■ Akumulátor je vybitý.</li> <li>■ Poistná gombík a spínač nie sú súčasne stlačené.</li> </ul>	<ul style="list-style-type: none"> <li>■ Pripojte akumulátor na pohonnú hlavu.</li> <li>■ Vyberte batériu, skontrolujte kontakty a vložte akumulátor, pokiaľ nezapadne na svoje miesto.</li> <li>■ Nabite akumulátor pomocou nabíjačiek EGO, ktoré sú uvedené v tomto návode na obsluhu.</li> <li>■ Pre zapnutie strunovej kosačky zatlačte poistnú páčku a podržte ju, potom stlačte vypínač.</li> </ul>
Pohonná hlava sa zastaví počas používania.	<ul style="list-style-type: none"> <li>■ Motor je preťažný.</li> <li>■ Akumulátor alebo pohonná hlava sú príliš horúce.</li> <li>■ Akumulátor je odpojený od nástroja.</li> <li>■ Akumulátor je vybitý.</li> </ul>	<ul style="list-style-type: none"> <li>■ Motor sa zotaví po odstránení záťaže. Pre kontinuálnu prácu znížte zaťaženie pohonnej hlavy.</li> <li>■ Nechajte akumulátor alebo pohonnú hlavu vychladnúť, pokiaľ teplota neklesne pod 67°C.</li> <li>■ Znovu vložte akumulátor.</li> <li>■ Nabite akumulátor pomocou nabíjačiek EGO, ktoré sú uvedené v tomto návode na obsluhu.</li> </ul>
Nerovnomerná hrana	<ul style="list-style-type: none"> <li>■ Orezávaná tráva alebo pôda sú príliš mokré.</li> <li>■ Chránič čepele je upchaný.</li> </ul>	<ul style="list-style-type: none"> <li>■ Neorezávajte v mokrej pôde alebo mokrej tráve.</li> <li>■ Zastavte motor, vyberte akumulátor a odstráňte nečistoty z chrániča čepele.</li> </ul>

SK

## ZÁRUKA

### ZÁRUČNÁ POLITIKA EGO

Navštívte webové stránky [egopowerplus.eu](http://egopowerplus.eu) pre úplné podmienky záručnej politiky spoločnosti EGO.



## OLVASSA EL AZ ÖSSZES UTASÍTÁST!



### OLVASSA EL A HASZNÁLATI ÚTMUTATÓT

**▲ FIGYELMEZTETÉS:** A biztonságosság és megbízhatóság biztosítása érdekében minden javítást szakképzett szerviztechnikus hajtson végre.

## BIZTONSÁGI SZIMBÓLUMOK

A biztonsági szimbólumok célja, hogy felhívják a figyelmet az esetleges veszélyekre. Nagyon figyeljen a biztonsági szimbólumokra és magyarázatokra, ill. ezek megértésére. A szimbólumok figyelmeztetése önmagukban nem hárítják el a veszélyeket. Az utasítások és figyelmeztetések nem helyettesítik a megfelelő balesetmegelőző intézkedéseket.

**▲ FIGYELMEZTETÉS:** A szerszám használata előtt feltétlenül olvassa el a jelen használati útmutató minden biztonsági utasítását, a „VESZÉLY”, „FIGYELMEZTETÉS” és „FIGYELEM” biztonsági szimbólumokat is. Az alább felsorolt utasítások be nem tartása áramütést, tűzveszélyt és/vagy súlyos személyi sérülést idézhet elő.

## SZIMBÓLUM JELENTÉSE

**BIZTONSÁGI SZIMBÓLUM: VESZÉLYT** vagy **FIGYELMEZTETÉST** jelöl. Más szimbólumokkal vagy rajzokkal együtt használható.









**▲ FIGYELMEZTETÉS:** Bármely elektromos kéziszerszám működtetése azzal járhat, hogy idegen tárgyak szembe kerülnek, amely súlyos szemsérüléseket okozhat. Az elektromos kéziszerszám működtetése előtt, mindig vegyen fel oldalsó védőlemezrel ellátott védőszemüveget és a teljes védőálarcot, ha szükséges. Javasoljuk, hogy viseljen Wide Vision Safety Mask-ot (védőálarc) a védőszemüveg fölött vagy standard védőszemüveget oldalsó védőlemezrel.

## BIZTONSÁGI UTASÍTÁSOK

Ezen az oldalon olyan biztonsági szimbólumok láthatók és olvashatók, amelyek megjelenhetnek a terméken. Az összeszerelés vagy működtetés előtt olvassa el, értse meg és tartsa be a gép minden utasítását.

	Biztonsági figyelmeztetés	Potenciális személyi sérülés veszélyét jelzi.
	Olvassa el a használati útmutatót	A sérülések kockázatának csökkentése érdekében a használatnak a termék használata előtt el kell olvasnia, és meg kell értenie a használati útmutatót.
	Viseljen hallásvédőt és védőszemüveget	Mindig viseljen védőszemüveget vagy oldalsó védőlemezrel ellátott védőszemüveget és teljes védőálarcot a termék működtetése közben.
	Szegélyező pengehossza	Szegélyező pengehossza
	Tartsa távol a nézelődőket	A gép és a közelben tartózkodók között legalább 15 m távolság legyen.
	Fűszegélyvágó forgási iránya	A fűszegélyvágó penge forgási irányát jelzi.
	Repülő tárgyak	Alaposan vizsgálja meg a területet, ahol a készüléket használni fogja és távolítsa el minden követ, botot, vezetékét, csontot és minden más idegen tárgyat.
	Viseljen védő lábbelit.	Viseljen csúszásgátló cipőt, amikor a készüléket használja.
	Forgó vágopenge	Ne tegye kezét vagy lábfejét a forgó alkatrészek alá.

**HU**

	Tartson kellő távolságot az elektromos vezetékektől.	Az áramütés megelőzése érdekében ne működtesse feje feletti elektromos vezetékek közelében 15m belül. Amennyiben elektromos vezetékekhez ér, vagy azok közelében használja, akkor sérülést vagy áramütést okozhat, amely halállal végződhet.
	CE	A termék megfelel az érvényes EK irányelveknek.
	UKCA	Ez a termék megfelel az alkalmazandó brit jogszabályoknak.
	WEEE	Az elhasznált elektromos termékek nem helyezhetők a háztartási hulladék közé. Vigye hivatalos újrahasznosító telephelyre.
	Zaj	Garantált hangteljesítményszint. Környezetre ható zajkibocsátás a Európai Közösség irányelve szerint.
V	volt	Feszültség
mm	milliméter	Hossz vagy méret
cm	centiméter	Hossz vagy méret
kg	kilogramm	Súly
	Egyenáram	Áram típusa vagy jellemzői

## ÁLTALÁNOS GÉPBIZTONSÁGI FIGYELMEZTETÉSEK

**▲ FIGYELMEZTETÉS:** Olvassa el a szerszámhoz mellékelt összes biztonsági figyelmeztetést, utasítást, illusztrációt és specifikációt. Az alább felsorolt utasítások be nem tartása áramütést, tűzveszélyt és/vagy súlyos sérülést idézhet elő.

## ŐRIZZEN MEG MINDEN UTASÍTÁST ÉS FIGYELMEZTETÉST, HOGY KÉSŐBB IS ELŐ TUDJA MAJD VENNI.

A figyelmeztetésekből szereplő „szerszám” kifejezés az Ön hálózati (vezetékes) vagy akkumulátoros (vezeték nélküli) gépre vonatkozik.

## MUNKATERÜLET BIZTONSÁGA

- **A munkaterület legyen tiszta és jól megvilágított.** A munkaterületen uralkodó rendetlenségnek vagy a rossz megvilágításnak baleset lehet a következménye.
- **Ne használja a szerszámot robbanásveszélyes környezetben, például olyan helyen, ahol éghető folyadékok, gázok vagy porok találhatóak.** A szerszám szikrákat képez, amelyek meggyújthatják a port vagy gázt.
- **Tartsa távol a gyermekeket és a közelben tartózkodó személyeket, amikor a szerszámmal dolgozik.** Ha megzavarják, elveszítheti uralmát a készülék felett.

## ELEKTROMOS BIZTONSÁG

- **A szerszám csatlakozóinak illeszkedniük kell az aljzathoz. Soha és semmiképpen se módosítsa a csatlakozódugót. Ne használjon adapteres csatlakozódugókat a (földelt) szerszámokhoz.** Az eredeti csatlakozódugó és megfelelő hálózati aljzat alkalmazásával megelőzi az áramütés veszélyét.
- **Ne érjen földelt felületekhez, ilyenek pl. a csövek, fűtőtestek, tűzhelyek vagy hűtőszekrények.** Az áramütés kockázata nagyobb, ha a teste le van földelve.
- **Ne működtesse a gépet esőben vagy nedves körülmények között.** A gépbe jutó víz növelheti az áramütés és a személyi sérülést okozó meghibásodás kockázatát.
- **Ne használja a kábelt helytelen módon. Soha ne a vezetéknel fogva hordozza, húzza, vagy válassza le a szerszámot. Tartsa távol a vezetéket hőtől, olajtól, éles szegélyektől és mozgó alkatrészekről.** A sérült vagy összegabalyodott hálózati kábelek megnövelik az áramütés veszélyét.

- **A szerszám szabadtéri üzemeltetéséhez használjon szabadtéren használható hosszabbító kábelt.** A szabadtéren használható kábel alkalmazása csökkenti az áramütés kockázatát.

- **Ha elkerülhetetlen, hogy a szerszámot nedves helyen használják, használjon földelő áramköri megszakítóval (GFCI) ellátott tápellátást.** A GFCI használata csökkenti az áramütés veszélyét.

## SZEMÉLYES BIZTONSÁG

- **Legyen éber, ügyeljen rá, mit csinál, és járjon el a józanul a szerszám használata során. Ne használja a szerszámot, ha fáradtnak érzi magát, vagy ha kábítószert, alkoholt vagy gyógyszerek hatása alatt áll.** A szerszámok üzemeltetése közben egy pillanatnyi figyelmetlenség is súlyos személyi sérülést okozhat.

- **Használjon egyéni védőfelszerelést. Mindig viseljen védőszemüveget.** A védőfelszerelések – mint például porvédő maszk, csúszásmentes lábbeli, sisak és hallásvédő – rendeltetésszerű használata révén elkerüli a személyi sérüléseket.
- **Akadályozza meg a véletlen indítást. Ügyeljen arra, hogy a kapcsoló kikapcsolt állásban legyen, mielőtt az áramforráshoz és/vagy az akkumulátoregységhez csatlakoztatja, felveszi vagy viszi a szerszámot.** Balesethez vezethet, ha a hálózatra csatlakoztatott szerszámot úgy viszi, vagy a hálózati csatlakozódugót úgy csatlakoztatja az aljzathoz, hogy közben az ujjja a bekapcsoló gombon van.
- **A szerszám bekapcsolása előtt távolítson el minden beállító kulcsot vagy csavarkulcsot.** Személyi sérülést okozhat, ha a szerszámban felejtett csavarkulcs vagy beállító kulcs forgó alkatrészhez ér.
- **Ne hajoljon a készülék fölé. Vegyen fel stabil testhelyzetet, és mindig tartsa meg az egyensúlyát.** Ez lehetővé teszi a szerszám jobb irányítását váratlan helyzetekben.
- **Viseljen megfelelő ruházatot. Ne viseljen laza ruházatot vagy ékszereket.** A haj és a ruházat ne érjen a mozgó részekhez. A laza ruházatot, az ékszert vagy a hosszú hajat becsíphetik a mozgó alkatrészek.
- **Ha az elektromos szerszámot porfelszívó vagy porlefúgó eszközzel szerelik fel, akkor győződjön meg arról, hogy ezek előírászerűen vannak-e csatlakoztatva, és használja őket a rendeltetésüknek megfelelően.** Porgyűjtő használata csökkentheti a porral járó veszélyeket.
- **Ne hagyja, hogy a rendszeres használat során megszerzett tapasztalat miatt túl magabiztossá váljon, és emiatt figyelmen kívül hagyja a biztonsági irányelveket.** Egy óvatlan cselekedet a másodperc töredéke alatt súlyos sérülést okozhat.

#### A GÉP HASZNÁLATA ÉS GONDOZÁSA

- **Ne erőltesse a gépet. Használja az alkalmazásának megfelelő szerszámot.** A megfelelő szerszámmal jobban és biztonságosabban dolgozhat a megadott teljesítményhatárokon belül.
- **Ne használja a szerszámot, ha nem lehet a bekapcsoló gombbal be- vagy kikapcsolni.** Az olyan szerszám, amely nem irányítható a kapcsolóval, veszélyes és javításra szorul.
- **Húzza ki a hálózati csatlakozó dugót az aljzathoz és/vagy, ha lehet, vegye ki az akkumulátoregységet az elektromos szerszámból, mielőtt beállításokat végezne, tartozékot cserélné vagy az elektromos szerszámot elrakná.** A megelőző biztonsági óvintézkedések csökkentik a szerszám véletlen beindításának kockázatát.
- **A használaton kívüli szerszámot tartsa gyermekek elől elzár helyen, és ne engedje, hogy olyanok használják a szerszámot, akik nem ismerik a szerszámot vagy a jelen használati útmutatót.** A szerszám veszélyt jelent, ha gyakorlatlan felhasználó kezébe kerül.
- **Gépek és tartozékok karbantartása. Ellenőrizze a mozgó alkatrészek beállítását és rögzítését, vizsgáljon meg minden alkatrészt, hogy nem sérült-e, és ellenőrizze, nem állnak-e fenn olyan körülmények, amelyek befolyásolhatják a szerszám működését.** Ha sérült, használat előtt javíttassa meg a szerszámot. A rosszul karbantartott szerszám sok balesetet okoz.
- **Tartsa a vágógépeket éles, tiszta állapotban.** A megfelelően karbantartott és megélezett vágóélekkel rendelkező vágószerszámok kevésbé hajlamosak az elgörbülésre, valamint könnyebben kezelhetők.
- **A szerszámot, tartozékokat és szerszámfejeket, stb. mindig a biztonsági utasításoknak megfelelően használja, figyelembe véve a munkakörülményeket és az elvégezni kívánt munkafolyamatot.** A szerszám rendeltetési céltól eltérő használata veszélyes helyzetet eredményezhet.
- **Tartsa szárazon, tisztán, olajtól és zsírtól mentesen a fogantyúkat és a tartófelületeket.** A csúszós fogantyúk és markolatok miatt a szerszám kezelése és vezérlése váratlan helyzetekben nem biztonságos.

#### AZ AKKUMULÁTOROS SZERSZÁM HASZNÁLATA ÉS GONDOZÁSA

- **Csak a gyártó által meghatározott töltőt használja.** Az olyan töltő, amely egy típusú akkumulátoregységhez alkalmas, tűzveszélyt okozhat, ha más típusú akkumulátoregységhez használja.
- **A készülékeket csak a kifejezetten hozzá készült akkumulátoregységekkel használja.** Bármely más akkumulátoregység használata sérülés- vagy tűzveszélyt okozhat.
- **Amikor nem használja az akkumulátoregységet, tartsa távol más fémtárgyaktól, például gemkapcsoktól, érméktől, kulcsoktól, szögektől, csavaroktól vagy más kis fémtárgyaktól, amelyek kapcsolatba léphetnek vele.** Az akkumulátorok kapcsainak rövidzárlata égési sérülést vagy tüzet okozhat.

HU

- **Nem megfelelő körülmények között folyadék szivároghat az akkumulátorból; ügyeljen rá, hogy ne kerüljön érintkezésbe vele. Amennyiben véletlenül hozzárne, mossa le vízzel.** Ha ez a folyadék szembe kerül, forduljon orvoshoz. Az akkumulátorból kiszivárgó folyadék irritációt vagy égési sérülést okozhat.
- **Ne használjon sérült, módosított akkumulátoregységet vagy szerszámot.** A sérült vagy módosított akkumulátorok előre nem látható módon viselkedhetnek, aminek eredménye tűz, robbanás vagy sérülésveszély lehet.
- **Ne tegye ki az akkumulátoregységet és a szerszámot tűznek vagy túl magas hőmérsékletnek.** Ha tűznek, vagy 130 °C feletti hőmérsékletnek teszi ki, akkor felrobbanhat.
- **Tartsa be a töltésre vonatkozó utasításokat, és ne töltse az akkumulátoregységet vagy a szerszámot az utasításokban meghatározott hőmérséklet-tartományon kívül.** A nem megfelelő vagy a meghatározott hőmérséklet-tartományon kívüli töltés károsíthatja az akkumulátort, és növeli a tűzveszélyt.

## FONTOS BIZTONSÁGI ELŐÍRÁSOK

**▲ FIGYELMEZTETÉS:** A fűkasza használata közben mindig tartsa be a következő alapvető biztonsági óvintézkedéseket a tűz, áramütés és személyi sérülések kockázatának csökkentése érdekében, a következőket is beleértve:

HU

## HASZNÁLAT ELŐTT FIGYELMESEN OLVASSA EL

### ŐRIZZE MEG KÉSŐBBI HASZNÁLATRA.

**▲ VESZÉLY:** Ne hagyatkozzon kizárólag a szerszám áramütés elleni szigetelésére. Az áramütés kockázatának csökkentése érdekében soha ne működtesse a gépet vezetékek vagy kábelek (hálózati stb.) közelében, amelyek elektromos áramot vezethetnek.

**▲ FIGYELEM:** Használat közben viseljen megfelelő személyes hallásvédőt. Bizonyos körülmények között és használati idő után a termék halláskárosodást okozhat.

### Gyakorlás

- Körültekintően olvassa el az utasításokat. Ismerje meg a gép szabályozását és helyes használatát.
- Ne engedélyezze a gép használatát gyermekeknek vagy olyan személyeknek, akik nem ismerik ezeket az utasításokat. A helyi rendelkezések korlátozásokat tartalmazhatnak a szerszám működtetésének életkorára vonatkozóan.

- Soha ne vágjon fűvet, ha emberek, különösen gyermekek, vagy kis állatok vannak a közelben.
- Ne feledje, hogy a szerszám működtetője a felelős azokért a balesetekért vagy veszélyekért, amelyek más embereket érintenek vagy mások vagyontárgyait érintik.

### Előkészítés

- Vágás közben mindig viseljen védőszemüveget és fülvédőt, megfelelő lábbelit és hosszú szárú nadrágot.
- Alaposan vizsgálja meg a területet, ahol a készüléket használni fogja és távolítson el minden követ, botot, vezetékét, csontot és minden más idegen tárgyat.
- Használat előtt mindig ellenőrizze szemrevételezéssel, hogy a pengék és penge csavarok nem kopottak-e el vagy nem sérültek-e meg. Készletek formájában cserélje a kopott pengéket és csavarokat az egyensúly fenntartása érdekében.

### Üzemeltetés

- Csak nappali világosságnál vagy megfelelő mesterséges megvilágítás mellett vágjon fűvet.
- Ha lejtős terepen van, mindig ügyeljen rá, hova lép.
- Sétáljon, soha ne fusson.
- Legyen rendkívül óvatos, ha megfordítja vagy önmaga felé húzza a fűszegélyvágót.
- Ellenőrizze, hogy a penge leállt-e, fűtől eltérő felületeken keresztül történő áthelyezése előtt, vagy ahol a fűszegélyvágó megdöntése szükséges.
- Soha ne működtesse a fűszegélyvágót sérült, hiányzó vagy nem megfelelően felhelyezett védőelemekkel.
- Ne módosítsa a motor fordulatszám-irányító beállításait, és ne működtesse túl gyorsan a motort.
- Óvatosan kapcsolja be a motort az utasítások szerint, és megfelelő távolságban állva a pengé(k)től.
- A motor bekapcsolása közben ne döntse meg, kivéve, ha a fűszegélyvágót csak így tudja elindítani. Ebben az esetben, ne döntse meg jobban, mint amennyire szükséges, és csak a felhasználótól távolabb lévő részt emelje meg.
- Ne indítsa el a motort, ha szemlélődő szemben áll a pengével (pengékkel).
- Ne tegye kezét vagy lábfejét a forgó alkatrészek alá.
- Mindig kapcsolja ki a motort, és vegye ki az akkumulátort:
  - 1) mielőtt megszüntetne egy eltömődést;
  - 2) mielőtt ellenőrizi, tisztítja vagy bármilyen más munkát végez a pengé(ke)n;

- 3) ha idegen tárgyba akadt; Vizsgálja át a pengé(ke)t a károk szempontjából és végezze el a szükséges javításokat mielőtt újraindítja és használja a fűszegélyvágót,
  - 4) Ha a fűszegélyvágó rendellenesen remegni kezd (azonnal ellenőrizze).
- Állítsa le a motort, amikor leteszi a fűszegélyvágót.
  - Ne töltsze az akkumulátoregységet esőben vagy nedves helyiségekben.
  - Csak az A.ábrán felsorolt akkumulátoregységeket és töltőket használja.
  - Az akkumulátoregységet ki kell venni, mielőtt kicserélné a készüléket.
  - Az akkumulátort biztonságosan kell ártalmatlanítani.
  - Az akkumulátorokat tűzbe dobni tilos! Az akkumulátorok felrobbanhatnak. Ellenőrizze a lehetséges speciális ártalmatlanítási utasítások helyi kódját.
  - Ne nyissa ki, és ne rongálja meg az akkumulátort. A felszabaduló elektrolit maró hatású, és sérülést okozhat a szemben vagy a bőrön. Lenyelve mérgező lehet.
  - Bánjon nagyon óvatosan az akkumulátorokkal, hogy ne zárja rövidre olyan vezetőképes anyagokkal, mint a gyűrűk, karkötők és kulcsok. Az akkumulátor vagy a konduktor túlmelegedhet, és égési sérülést okozhat.
  - Az akkumulátorral működő szerszámokat nem kell hálózati aljzathoz csatlakoztatni; ezért mindig működőképes állapotban vannak. Ügyeljen a lehetséges veszélyekre, akkor is, ha a szerszám nem működik. Legyen óvatos karbantartás és szervizelés közben.
  - Ne mossa tömlővel; ne kerüljön víz a motorba és az elektromos csatlakozásokba.

#### Karbantartás és tárolás

- Az összes csavar, alátét és hasonló rész legyen jól meghúzva, hogy a készülék biztonságos munkállapotban legyen.
- Az elkopott vagy megsérült részeket cserélje ki.
- Ne próbálja megjavítani a gépet, kivéve, ha van erre szakképesítése.
- Csak a gyártó által javasolt pótalkatrészeket és tartozékokat használja.
- Karbantartási vagy tisztítási munkálatok elvégzése előtt vegye ki az akkumulátort a gépből.
- Rendszeresen ellenőrizze a gépet, és végezzen karbantartást. A gép javítását csak felhatalmazott szerelő végezheti el.
- Gyermekek által hozzá nem férhető helyen tárolja a gépet, amikor nem használja azt.

- Amennyiben olyan helyzet adódik, amely nem szerepel a jelen használati útmutatóban, akkor óvatosan és kellő mérlegeléssel cselekedjen. Forduljon az EGO szervizközpontoz segítségért.
- Őrizze meg ezeket az utasításokat. Időnként olvassa át, és használja, amikor másokat a kéziszerszám használatára tanít be. Ha valakinek kölcsön adja a szerszámot, akkor adja át a használati utasítást is a helytelen használat és lehetséges sérülések elkerülése érdekében.

#### ŐRIZZE MEG EZEKET AZ UTASÍTÁSOKAT!

#### MEGJEGYZÉS: KIEGÉSZÍTŐ BIZTONSÁGI SZABÁLYOK A FŰSZEGÉLYVÁGÓ HASZNÁLATI ÚTMUTATÓJÁBAN TALÁLHATÓK.

#### MŰSZAKI ADATOK

Kés hosszúsága	20 cm
Vágás mélysége	akár 75 mm
Súly	2,26 kg
Működési hőmérséklet	-15°C - 40°C
Tárolási hőmérséklet	-20°C - 70°C
Mért hangteljesítményszint $L_{WA}$	92,4 dB(A) K=2,07 dB(A) (PH1400E)
	90,7 dB(A) K=1,46 dB(A) (PH1420E)
	90 dB(A) K=1,3 dB(A) (PHX1600)
Hangnyomásszint a kezelő fülénél $L_{PA}$	79,8 dB(A) K=3 dB(A) (PH1400E)
	81,2 dB(A) K=3 dB(A) (PH1420E)
	84 dB(A) K=3 dB(A) (PHX1600)
Nível de putere sonoră garantat $L_{WA}$ (măsurat în conformitate cu 2000/14/CE)	95 dB(A)

HU

Vibrații $a_n$	Elülső segédfogantyú	1,2 m/s <sup>2</sup> K=1,5 m/s <sup>2</sup> (PH1400E)
		1,95 m/s <sup>2</sup> K=1,5 m/s <sup>2</sup> (PH1420E)
		1,6 m/s <sup>2</sup> K=1,5 m/s <sup>2</sup> (PHX1600)
	Hátsó fogantyú	2,2 m/s <sup>2</sup> K=1,5 m/s <sup>2</sup> (PH1400E)
		1,66 m/s <sup>2</sup> K=1,5 m/s <sup>2</sup> (PH1420E)
		1,53 m/s <sup>2</sup> K=1,5 m/s <sup>2</sup> (PHX1600)

- A fenti paraméterek PH1400E/PH1420E/PHX1600 meghajtófejével felszerelve kerültek tesztelésre és mérésre;
- Valoarea totală declarată a vibrațiilor a fost măsurată în conformitate cu o metodă standard de testare și poate fi utilizată pentru compararea sculelor între ele;
- Valoarea totală declarată poate fi utilizată în evaluarea preliminară a expunerii.

**OBSERVAȚIE:** Vibrațiile emise în timpul utilizării efective a sculei electrice pot diferi față de valoarea celor declarate pentru scula utilizată; Pentru protejarea operatorului, utilizatorul trebuie să poarte mănuși și protecții auditive în timpul utilizării efective a produsului.

## CONȚINUTUL AMBALAJULUI

DENUMIRE PIEȘĂ	CANTITATE
Fűszegélyvágó alkatrész	1
Imbuszkulcs	1
Multifunkciós csavarkulcs	1
Biztosító szeg	2
Manual de instrucțiuni	1

## Javasolt penge

ALKATRÉSZ NEVE	MODELLSZÁM
Fűszegélyvágó penge	AEB0800

## DESCRIERE

### ISMERJE MEG A FŰSZEGÉLYVÁGÓT (A ábra)

1. Zárósapka
2. Fűszegélyvágó tengely
3. Pengevédő
4. Penge
5. Mélységbeállító gomb
6. Irányító kerék
7. Imbuszkulcs
8. Multifunkciós csavarkulcs
9. Mélységbeállító láncvezető
10. Szemétfelfogó lemez
11. Biztosító szeg
12. Csavar a védőlemez rögzítéséhez
13. Védőlemez

## ÖSSZESZERELÉS

**▲ FIGYELMEZTETÉS:** Ha bármely alkatrész sérült vagy hiányzik, akkor ne működtesse a terméket, amíg az alkatrészeket ki nem cserélik. Sérült vagy hiányzó alkatrészekkel való használat súlyos személyes sérülést okozhat.

**▲ FIGYELMEZTETÉS:** Ne próbálja megváltoztatni a fűkasztát, és ne készítsen hozzá tartozékokat, amelyek nem javasoltak ehhez a láncfűrészhez. Bármilyen módosítás vagy változtatás helytelen használatnak minősül, és veszélyes feltételeket teremthet, amely súlyos személyi sérüléssel végződhet.

**▲ FIGYELMEZTETÉS:** Az akár súlyos személyi sérülést okozó véletlenszerű indítás elkerülése érdekében mindig vegye ki az akkumulátoregységet a szerszámból, amikor összeszereli az alkatrészeket.

**▲ FIGYELMEZTETÉS:** Mindig viseljen kesztyűt, amikor felszereli vagy kicseréli a védőburkolatot. Legyen óvatos a védőburkolat alatti pengével, és óvja a kezét vágástól.

**⚠ FIGYELMEZTETÉS:** Soha ne működtesse a szerszámot, ha a védőburkolat nincs megfelelően a helyén. A védőburkolatnak mindig a szerszámon kell lennie a felhasználó védelme érdekében! Ha a védőburkolat rögzítve van, akkor soha ne próbálja meg eltávolítani vagy beállítani, ha ki kell cserélni, akkor azt szakképzett szerviztechnikus végezze!

## FŰSZEGÉLYVÁGÓ TARTOZÉK RÖGZÍTÉSE A MEGHAJTÓFEJRE

A fűszegélyvágó tartozékot EGO 56 V-os lítium-ion PH1400E/PH1420E/PHX1600 meghajtófejhez tervezték.

Lásd az „**ALKATRÉSZ CSATLAKOZTATÁSA A MEGHAJTÓFEJHEZ**“ fejezetet a PH1400E/PH1420E/PHX1600 meghajtófej használati útmutatójában.

## MŰKÖDTETÉS

**⚠ FIGYELMEZTETÉS:** Ne hagyja, hogy a termékkel szerzett jártassága miatt óvatlanná váljon. Emlékezzon arra, hogy a másodperc töredéke alatt történő óvatlanság súlyos sérülést okozhat.

**⚠ FIGYELMEZTETÉS:** Mindig viseljen oldalsó védőlemezrel ellátott védőszemüveget. Hallásvédővel együtt. Amennyiben nem ezt teszi, tárgyak repülhetnek a szemébe, és más komoly sérülések keletkezhetnek.

## ALKALMAZÁSOK

A terméket az alábbi célokra használhatja:

- vágás járdáknál, járdaszegélyeknél, virágágyásoknál és hasonló területeken.

**MEGJEGYZÉS:** A szerszámot csak az előírt célokra használja. Bármilyen más használat helytelen használatnak minősül.

## A sérült/kopott alkatrészek ellenőrzése minden használat előtt

Ellenőrizze az ütköző fejet, védőburkolatot és első segédfogantyút, és cserélje ki a repedt, behajolt vagy sérült alkatrészeket.

**⚠ FIGYELMEZTETÉS:** A súlyos személyi sérülések elkerülése érdekében távolítsa el az akkumulátoregységet a szerszámból szervizelés, tisztítás, tartozékok cseréje vagy anyagok szerszámból való eltávolítása közben.

## FŰSZEGÉLYVÁGÓ TARTOZÉK HASZNÁLATA A MEGHAJTÓFEJEL

**⚠ FIGYELMEZTETÉS:** Megfelelően öltözzön fel a sérülések kockázatának csökkentése érdekében, amikor a szerszámot működteti. Ne viseljen laza ruházatot vagy ékszereket. Viseljen védőszemüveget és fülvédőt; Viseljen erős, hosszú szárú nadrágot, cipőt és kesztyűt. Ne viseljen rövidnadrágot vagy szandált, és ne járjon mezítáb. Viseljen arc- vagy porvédő maszkot poros körülmények között.

**⚠ FIGYELMEZTETÉS:** Távolítson el minden akadályt és szilárd tárgyat a munkaterületről.

A biztonságos és jobb működés érdekében helyezze fel a vállszíjat a vállán keresztben. A vállszíjat kényelmes működtetési pozícióba állítsa.

A fűszegélyvágót mindig a jobb kezével a hátsó fogantyún és a bal kezével az első fogantyún tartsa. A szerszámot működtetés közben mindig erősen fogja. A fűszegélyvágót kényelmes pozícióban tartsa, a hátsó fogantyú körülbelül csípőmagasságban legyen (B ábra).

**⚠ FIGYELMEZTETÉS:** A vállszíj gyorskioldó mechanizmus is veszélyes helyzetben. Ha vészhelyzet adódik, akkor azonnal vegye le a válláról, függetlenül attól, hogy van feltéve a szíj.

## Minden használat után tisztítsa meg a fűszegélyvágót.

Lásd a KARBANTARTÁS fejezetben lévő tisztítási utasításokat.

HU

## VÁGÁS HOSSZÁNAK BEÁLLÍTÁSA

1. Állítsa le a motort, és vegye ki az akkumulátoregységet.
2. Oldja ki a mélységbeállító gombot a gombon lévő nyíl kioldási irányába (C ábra).
3. Mozdassa az irányító kereket a mélységbeállító láncvezetőn felfelé a vágási mélység növeléséhez, vagy lefelé a vágási mélység csökkentéséhez (D ábra).
4. Úgy állítsa be az irányító kereket, hogy a penge 5 mm-rel a talaj felett legyen (E ábra), majd húzza meg biztonságosan.
5. Álljon normál munkahelyzetbe, ellenőrizze a vágási mélységet, és állítson rajta, ha szükséges.

## A KÉSZÜLÉK INDÍTÁSA/LEÁLLÍTÁSA

Lásd „**A MEGHAJTÓFEJ INDÍTÁSA/LEÁLLÍTÁSA**“ fejezetet a PH1400E/PH1420E/PHX1600 meghajtófej használati útmutatójában.

## MŰKÖDTETÉSI TANÁCSOK

- A meghajtófejet úgy fogja és mozgassa, hogy a penge függőleges legyen. Használja a látóvonalat, hogy a segítségével beállítsa a fűszegélyvágót (F ábra).
- Ne lépjen nagyobbat a normális munkalépéseknél. Ha a penge elkezd süllyedni, akkor túl gyorsan vág, lassítsa le a lépteit.
- Mindig előre felé lépkedjen vágás közben, és előre felé mozgassa a fűszegélyvágót. Ne húzza a fűszegélyvágót maga felé.
- Ne erőltesse a pengét a talajhoz. Ha a penge kissé a járda széléhez, a járdaszegélyhez stb. ér, az még elfogadható, és nem rongálja meg a fűszegélyvágót.
- A legjobb eredmény akkor biztosítható, ha a fű száraz. Ne vágjon nedves talajon vagy fűvön, vagy olyan helyen, ahol a penge védőburkolata beakadhat, és a szélék egyenetlenek lesznek. Amennyiben a penge védőburkolata beakad, állítsa le a motort, vegye ki az akkumulátoregységet, és távolítsa el a hulladékot a penge védőburkolatáról.

## KARBANTARTÁS

**▲ FIGYELMEZTETÉS:** Az egység ellenőrzése, tisztítása vagy szervizelése előtt állítsa le a motort, várjon, amíg minden mozgó alkatrész leáll, és vegye ki az akkumulátoregységet. A jelen utasítások be nem tartása súlyos személyi sérülést vagy anyagi kárt eredményezhet.

**▲ FIGYELMEZTETÉS:** Javításkor használjon azonos pótalkatrészeket. Más alkatrészek használata veszélyt okozhat, vagy megrongálhatja a terméket. A biztonságosság és megbízhatóság biztosítása érdekében minden javítást szakképzett szerviztechnikus hajtson végre.

## ÁLTALÁNOS KARBANTARTÁS

A műanyag alkatrészek tisztításához ne használjon oldószereket. A legtöbb műanyag a vegyi oldószerek által deformálódás általi sérülésnek van kitéve, ezek megrongálhatják őket. Használjon tiszta ruhát a szennyeződés, por, olaj, zsír stb. eltávolításához.

## AZ EGYSÉG TISZTÍTÁSA

- Minden használat után tisztítsa le a hulladékot, a beakadt fűvet a pengéről és a védőburkolatról egy puha kefével. Törölje le a fűszegélyvágó felületét egy tiszta, kímélő szappanos oldattal megnedvesített ruhával.
- Használjon kis keféet vagy kis perszívó keféet a szellőzőnyílásoknak a hátsó burkolaton lévő akadályoktól való megtisztításához.

**MEGJEGYZÉS:** Ne használjon erős tisztítószereket a műanyag burkolaton vagy a fogantyún. Ezek megsérülhetnek a különböző aromaolajaktól, pl. fenyő vagy citrom.

## PENGE CSERÉJE

**▲ FIGYELMEZTETÉS:** Ne próbálja meg kiegyenesíteni vagy forrasztani a behajlott vagy megrepedt pengét – mert eltörhet – ki kell cserélni. Javasoljuk, hogy EGO fűszegélyvágó pengére cserélje ki, lásd a „**Javasolt penge**” fejezetet.

**MEGJEGYZÉS:** Cserélje ki a pengét, ha a hosszúsága már nem elegendő ahhoz, hogy megfelelő mozgástér és így a kívánt vágási mélység biztosítva legyen.

**▲ FIGYELMEZTETÉS:** Mindig védje a kezét nagy teherbírású kesztyűvel vagy úgy, hogy a pengét betekeri rongyokba vagy más anyagokba, amikor karbantartást végez a fűszegélyvágó pengéjén.

## A penge levétele

1. Állítsa le a motort, és vegye ki az akkumulátoregységet.
2. Helyezze a fűszegélyvágót a hátoldalára, hogy a penge felfelé nézzen.
3. Viseljen védőkesztyűt. Használjon közepescsőrű laposfogót (nem tartozék), hogy levegye a biztosító szeget a motor tengelyről (G ábra).
4. Fordítsa el a pengét, hogy a peremen lévő nyílást a szerelvényburkolathoz illesse (G ábra).

A G ábra alkatrészeinek leírását lásd lent:

G-1	Biztosító szeg
G-2	Belső perem
G-3	Szerelvényburkolat

5. Helyezze a mellékelt imbuszkulcsot az összeillesztett nyílásokba, hogy stabilizálóként használja. Használja a mellékelt multifunkciós csavarkulcsot a csavar **ÓRAMUTATÓ JÁRÁSÁVAL MEGEGYEZŐ IRÁNYBA** történő meglazításához (H ábra).

6. Vegye le az anyát, a külső peremet, a pengét és a belső peremet a motor tengelyről (I ábra). Ellenőrizze ezeket, és cserélje ki őket, ha elhasználtotak.

Az I ábra alkatrészeinek leírását lásd lent:

I-1	Motortengely	I-5	Penge
I-2	Belső perem	I-6	Külső perem
I-3	Nyílás a belső peremen	I-7	Csavar
I-4	Belső perem széle	I-8	Biztosító szeg



### A penge felhelyezése

1. Helyezze a belső peremet a motor tengelyre a széle kifelé nézzen (I ábra).
2. Helyezzen fel egy új pengét a belső peremre, ellenőrizze, hogy a penge biztonságosan a helyére van-e rögzítve (J ábra).
3. Szerelje fel a külső peremet és az anyát a tengelyre, és húzza meg kézzel az anyát az **ÓRAMUTATÓ JÁRÁSÁVAL ELLENKEZŐ IRÁNYBA**.
4. Kövesse a „Penge levétele” fejezet 4. és 5. lépését a penge rögzítéséhez, és húzza meg a pengét az **ÓRAMUTATÓ JÁRÁSÁVAL ELLENKEZŐ IRÁNYBA**.
5. Helyezzen be egy új, mellékelt biztosító szegyet a motor tengely nyílásába. Hajlítsa be a szeg két végét ellenkező irányba egy közepescsőrű laposfogóval (nem tartozék) (G ábra).

### IRÁNYÍTÓ KERÉK CSERÉJE

1. Állítsa le a motort, és vegye ki az akkumulátoregységet.
2. Helyezze a fűszegélyvágót a hátoldalára, hogy az irányító kerék felfelé nézzen.
3. Oldja ki a mélységbeállító gombot a gombon lévő nyíl kioldási irányába, és vegye le.
4. Távolítsa el a rugós alátétet, az 1. sima alátétgyűrűt, az irányító kereket, a perselyt és a 2. sima alátétgyűrűt a rögzítőrúdról (K ábra). Ellenőrizze ezeket, és cserélje ki őket, ha elhasználtak.
5. Először szerelje fel a rögzítőrudat a mélységbeállító láncvezetőre, majd szerelje fel a 2. sima alátétgyűrűt, a perselyt és az új kereket, majd szerelje fel az 1. sima alátétgyűrűt, a rugós alátétet és a mélységbeállító gombot a rögzítőrúdra a K ábrán látható sorrendben.

A K ábra alkatrészeinek leírását lásd lent:

K-1	Mélységbeállító gomb	K-5	Persely
K-2	Rugós alátét	K-6	2. sima alátétgyűrű
K-3	1. sima alátétgyűrű	K-7	Rögzítőrúd
K-4	Irányító kerék	K-8	Mélységbeállító láncvezető

**MEGJEGYZÉS:** Az irányító kereket a lapos bordákkal befelé szerelje fel (L ábra).

Az L ábra alkatrészeinek leírását lásd lent:

L-1	Csavarok	L-3	Szemétfelfogó lemez
L-2	Lapos borda	L-4	Rögzítőlemez

6. Rögzítse a mélységbeállító gombot.

### SZEMÉTFELFOGÓ LEMEZ CSERÉJE (L ábra)

1. Állítsa le a motort, és vegye ki az akkumulátoregységet.
2. Használja a mellékelt imbuszkulcsot a két csavar meglazításához.
3. Vegye le a csavarokat, rögzítőlemezt és elhasználódott szemétfelfogó lemezt.
4. Cserélje ki egy új szemétfelfogó lemezzel, és rögzítse a rögzítőlemezzel és a két csavarral.

### A KOPÁSMENTES VÉDŐBURKOLAT/VÉDŐLEMEZ ELLENŐRZÉSE ÉS CSERÉJE (M ábra)

Az elektromos kéziszerszám indítása előtt ellenőrizze a kopásgátló védőburkolatot és védőlemezt sérülések szempontjából. A kopásmentes védőburkolatot ki kell cserélni, ha a szerelvényburkolat láthatóvá válik.

**MEGJEGYZÉS:** A szerelvényburkolat súlyosan megsérülhet, ha nem cseréli ki a kopásgátló védőburkolatot, amint a szerelvényburkolat láthatóvá válik.

1. Állítsa le a motort, és vegye ki az akkumulátoregységet.
2. Viseljen védőkesztyűt. Fordítsa el a pengét a szükséges mértékben a kést csavar levételéhez.
3. Használja a mellékelt imbuszkulcsot a két csavar meglazításához, és vegye le őket.

**MEGJEGYZÉS:** Ha ki kell cserélni a védőlemezt, akkor csak az 1. csavart lazítsa meg és vegye le.

4. Cserélje ki a deformálódott kopásgátló védőburkolatot/ védőlemezt.
5. Szereljen fel egy új kopásgátló védőburkolatot és védőlemezt a szerelvényburkolatra, majd rögzítse a két csavarral.

Az M ábra alkatrészeinek leírását lásd lent:

M-1	1. csavar	M-4	Kopásgátló védőburkolat
M-2	Védőlemez	M-5	Szerelőnyílások
M-3	2. csavar	M-6	Szerelvényburkolat

### A VÉDŐLEMEZ LEVÉTELE

Ha van tapasztalata ezzel a típusú fűszegélyvágóval, vagy ha úgy gondolja, hogy a védőlemez gátolja a fűszegélyvágó működtetésében, akkor leveheti a védőlemezt.

1. Lazítsa meg és vegye le az 1. csavart.
2. Vegye le a védőlemezt.
3. Helyezze vissza és húzza meg az 1. csavart.

HU

## SEBESSÉGVÁLTÓ OLAJOZÁSA

A szerelvényburkolatban lévő sebességváltót időnként be kell olajozni kenőanyaggal. Ellenőrizze a szerelvényburkolat kenőanyag szintjét minden 50. működési óra után, úgy, hogy leveszi a burkolat oldalán lévő rögzítőcsavart.

Ha nem lát kenőanyagot a burkolat oldalán, akkor kövesse a lenti lépéseket, hogy feltöltse a térfogat 3/4-éig kenőanyaggal.

Ne töltse fel teljesen a sebességváltót.

1. Állítsa fel egyenesen a fűszegélyvágót, hogy a rögzítőcsavar felfelé nézzen (N ábra).
2. Használja a mellékelt multifunkciós csavarkulcsot a rögzítőcsavar meglazításához és levételéhez. Használjon zsírozó fecskendő (nem tartozék), hogy kenőanyagot vigyen fel a csavar nyílásra; ne lépje túl a 3/4 térfogatot.
3. Befecskendezés után húzza meg a rögzítőcsavart.

## AZ EGYSÉG TÁROLÁSA

- Vegye ki az akkumulátoregységet a fűszegélyvágóból.
- Tárolás előtt alaposan tisztítsa meg a szerszámot.
- Amennyiben a fűszegélyvágó tartozékokat leveszi a meghajtófejről, és külön tárolja, akkor helyezze fel a zárósapkát a tartozék tengelyre, hogy ne kerüljön szennyeződés a csatlakozóba.
- Az egységet száraz, jól szellőző, elzárt vagy magas helyen tárolja, ahol gyermekek nem érik el. Ne tárolja az egységet benzin vagy más vegyszerek mellett.

## A környezet védelme



Ne dobja az elektromos felszerelést, az elhasznált akkumulátort és a töltőt a háztartási hulladékok közé! Vigye hivatalos újrahasznosító telephelyre, és tegye hozzáférhetővé a szelektív gyűjtéshez. Az elektromos eszközöket a megfelelő, környezetbarát újrahasznosító üzembe kell visszavinni.

HU

## HIBAELHÁRÍTÁS

PROBLÉMA	A PROBLÉMA OKA	MEGOLDÁS
A motor nem indul.	<ul style="list-style-type: none"> <li>■ Az akkumulátoregység nincs csatlakoztatva a meghajtófejhez.</li> <li>■ Nincs elektromos kapcsolat a meghajtófej és az akkumulátoregység között.</li> <li>■ Az akkumulátoregység lemerült.</li> <li>■ A kapcsoló gomb és a trigger nem egyidejűleg van megnyomva..</li> </ul>	<ul style="list-style-type: none"> <li>■ Csatlakoztassa az akkumulátoregységet a meghajtófejhez.</li> <li>■ Vegye ki az akkumulátoregységet, ellenőrizze a csatlakozást, és helyezze vissza az akkumulátoregységet, amíg a helyén nincsen.</li> <li>■ Töltse fel az akkumulátoregységet EGO a jelen útmutatóban megadott töltővel</li> <li>■ Nyomja meg és tartsa lenyomva a kapcsoló kart, és tartsa ebben a pozícióban. Nyomja meg a triggert a meghajtófej bekapcsolásához.</li> </ul>
A meghajtófej működés közben leáll.	<ul style="list-style-type: none"> <li>■ A motor túlterhelt</li> <li>■ Az akkumulátoregység vagy a meghajtófej túl forró.</li> <li>■ Az akkumulátoregység ki van véve a szerszámból.</li> <li>■ Az akkumulátoregység lemerült.</li> </ul>	<ul style="list-style-type: none"> <li>■ A motor újra működőképes, ha a terhet eltávolítja. A folyamatos működés érdekében csökkentse a meghajtófej teljesítményét.</li> <li>■ Hagyja kihűlni az akkumulátoregységet vagy a meghajtófejet 67°C alatti hőmérsékletre.</li> <li>■ Helyezze vissza az akkumulátoregységet.</li> <li>■ Töltse fel az akkumulátoregységet EGO a jelen útmutatóban megadott töltővel</li> </ul>
Egyenetlen szél	<ul style="list-style-type: none"> <li>■ A fű vagy talaj túl nedves.</li> <li>■ A penge védőburkolat eltömődött.</li> </ul>	<ul style="list-style-type: none"> <li>■ Ne vágjon vizes talajon vagy fűvön.</li> <li>■ Állítsa le a motort, vegye ki az akkumulátoregységet, és távolítsa el a hulladékot a penge védőburkolatáról.</li> </ul>

HU

## GARANCIA

### EGO GARANCIÁLIS FELTÉTELEK

Kérjük, látogasson el az [egopowerplus.eu](http://egopowerplus.eu) oldalra, ahol megtalálja a részletes EGO garanciális feltételeket.

## CITIȚI TOATE INSTRUCȚIUNILE!



### CITIȚI MANUALUL DE INSTRUCȚIUNI

**⚠️ AVERTISMENT:** Pentru siguranța și fiabilitatea produsului, toate reparațiile ar trebui efectuate de către un tehnician de service autorizat.

## SIMBOLURI PRIVIND SIGURANȚA

Scopul simbolurilor privind siguranța este să vă atragă atenția asupra pericolelor posibile. Simbolurile privind siguranța și explicațiile furnizate cu acestea merită atenția și înțelegerea dumneavoastră. Simbolurile de avertizare, ele singure, nu elimină niciun pericol. Instrucțiunile și avertismentele pe care le oferă nu pot înlocui măsurile corecte de prevenire a accidentelor.

**⚠️ AVERTISMENT:** Asigurați-vă că ați citit și înțelegeți toate instrucțiunile privind siguranța din acest Manual de utilizare, inclusiv toate simbolurile de alertă privind siguranța precum “PERICOL,” “AVERTISMENT,” și “ATENȚIE” înainte de a utiliza această sculă. Nerespectarea tuturor avertismentelor și instrucțiunilor poate duce la electrocutare, incendiu și/sau răniiri grave.

**RO**

## SEMNIFICAȚIA SIMBOLURILOR

**SIMBOL DE AVERTIZARE PRIVIND SIGURANȚA:** Indică PERICOL, AVERTISMENT, sau ATENȚIE. Poate fi utilizat împreună cu alte avertismente sau pictograme.



**⚠️ AVERTISMENT:** Operarea oricăror scule electrice poate rezulta în proiectarea înapoi ochii dumneavoastră a unor obiecte străine, ceea ce poate duce la vătămări grave ale ochilor. Înainte de a începe să utilizați scula electrică, întotdeauna purtați ochelari de protecție cu apărători laterale și vizieră facială completă când este nevoie. Vă recomandăm să purtați o vizieră lată de protecție peste ochelarii de vedere sau ochelari de protecție standard cu apărători laterale.

## INSTRUCȚIUNI PRIVIND SIGURANȚA

Această pagină descrie simbolurile de siguranță ce pot apărea pe acest produs. Citiți, înțelegeți, și respectați toate instrucțiunile de pe mașină înainte de asamblare și operare.

	Alertă privind siguranța	Indică un risc posibil de vătămare personală.
	Citiți manualul de instrucțiuni	Pentru a reduce riscul de rănire, utilizatorul trebuie să citească și să înțeleagă manualul de instrucțiuni înainte de a utiliza acest produs.
	Purtați echipament de protecție auditivă și oculară	Purtați întotdeauna ochelari de protecție sau ochelari de protecție cu apărători laterale și o vizieră facială completă când utilizați acest produs.
	Lungimea lamei mașinii de tuns iarba lângă borduri	Lungimea lamei mașinii de tuns iarba lângă borduri
	Tineți trecătorii la distanță	Distanța dintre produs și trecători ar trebui să fie de cel puțin 15 m.
	Direcția de rotație a lamei trimmerului	Indică direcția de rotație a lamei trimmerului.
	Obiecte ejectate	Inspectați cu atenție zona în care urmează a fi utilizat echipamentul pentru a îndepărta toate pietrele, bețele, oasele și alte obiecte străine.
	Purtați încălțăminte de protecție	Purtați încălțăminte antiderapantă când utilizați acest echipament.
	Lamă de tăiere rotativă	Nu vă amplasați niciodată mâinile sau picioarele în apropiere sau sub părțile rotative.

	Păstrați o distanță suficientă față de liniile de înaltă tensiune	Pentru prevenirea electrocutării, nu utilizați scula la o distanță mai mică de 15m de liniile electrice suspendate. Contactul cu sau utilizarea produsului în apropierea cablurilor electrice poate cauza răni grave sau electrocutare ce pot fi fatale.
	CE	Acest produs este în conformitate cu directivele europene aplicabile.
	UKCA	Acest produs este în conformitate cu legislația aplicabilă din Marea Britanie.
	DEEE	Deșeurile produselor electrice nu trebuie să fie eliminate împreună cu deșeurile menajere. Predați-le unui punct de reciclare autorizat.
	Zgomot	Nivelul puterii sunetului garantat. Emisii sonore în mediul înconjurător conform Directivei comunitare europene.
V	Volt	Voltaj
mm	Milimetru	Lungime sau dimensiuni
cm	Centimetru	Lungime sau dimensiuni
kg	Kilogram	Greutate
	Curent continuu	Tip sau o caracteristică a curentului

## AVERTIZĂRI GENERALE DE SIGURANȚĂ PENTRU MAȘINI

**⚠ AVERTISMENT:** Citiți toate avertizările de siguranță, instrucțiunile, ilustrațiile și specificațiile livrate împreună cu această mașină. Nerespectarea tuturor instrucțiunilor enumerate mai jos se poate solda cu șoc electric, incendiu și/sau vătămare corporală gravă.

**Păstrați toate avertismente și instrucțiunile pentru consultare ulterioară.**

Termenul „mașină” din avertizări se referă la mașina dumneavoastră electrică (cu cablu) alimentată de la rețeaua electrică sau mașina (fără cablu de alimentare) care funcționează cu acumulator.

### SIGURANȚA ZONEI DE LUCRU

- **Păstrați zona de lucru curată și bine iluminată.** Zonele dezordonate și întunecoase predispun la accidente.

- **Nu puneți în funcțiune mașini în atmosfere explozive, cum ar fi în prezența lichidelor, gazelor sau prafurilor inflamabile.** Mașinile creează scântei, care pot aprinde praful sau gazele.
- **Țineți copiii și persoanele prezente la distanță atunci când utilizați o mașină.** Distragerea atenției vă poate face să pierdeți controlul.

### SIGURANȚA ELECTRICĂ

- **Ștecherile mașinilor trebuie să corespundă cu priza electrică. Nu modificați niciodată ștecherul în vreun fel. Nu utilizați ștechere adaptoare de priză cu mașinile echipate cu împământare.** Ștecherile nemodificate și prizele adecvate vor reduce riscul de electrocutare.
- **Evitați contactul corpului cu suprafețele legate la împământare, cum sunt țevile, caloriferele, mașinile de gătit și frigiderale.** Acest lucru reprezintă un risc sporit de electrocutare în cazul care corpul dumneavoastră este împământat.
- **Nu utilizați sculă în condiții de ploaie sau umezeală.** Pătrunderea apei în sculă poate crește riscul de electrocutare sau defecțiuni care ar putea duce la vătămări corporale.
- **Nu folosiți în mod abuziv cablul de alimentare. Nu utilizați niciodată cablul de alimentare pentru transportul, tragerea sau scoaterea din priză a mașinii. Țineți cablul de alimentare departe de căldură, ulei, margini tăioase sau piese în mișcare.** Cablurile electrice deteriorate sau încălțite cresc riscul de electrocutare.

RO

- **Când utilizați o mașină în aer liber utilizați un cablu prelungitor adecvat pentru utilizarea în aer liber.** Utilizarea unui cablu adecvat pentru utilizare în aer liber reduce riscul de electrocutare.
- **În cazul în care este inevitabil utilizarea unei mașini într-o locație umeză, utilizați o sursă cu întrerupător de circuit cu împământare (GFCI).** Utilizarea unui întrerupător GFCI reduce riscul de electrocutare.

### SIGURANȚA PERSONALĂ

- **Păstrați-vă vigilența, urmăriți ceea ce faceți și apelați la bunul simț când utilizați o mașină. Nu utilizați o mașină când sunteți obosit(ă), sau sub influența medicamentelor, a alcoolului ori a medicației.** Un moment de neatenție în timp ce utilizați mașini se poate solda cu vătămări grave.
- **Utilizați echipamente individuale de protecție. Purați întotdeauna echipament de protecție oculară.** Echipamentele de protecție, cum ar fi masca de praf, bocancii de protecție antiderapați, casca sau

antifoanele utilizate în condiții corespunzătoare, vor reduce vătămările corporale.

- **Preveniți pornirea accidentală. Asigurați-vă că întrerupătorul este în poziția oprit înainte de a conecta mașina la o sursă de alimentare și/sau set de acumulatori, înainte de a ridica sau de a transporta mașina.** Transportul mașinilor cu degetul pe întrerupător sau acționarea mașinilor alimentate electric, predispune la accidente.
- **Îndepărtați orice cheie de reglare sau cheie fixă înainte de a porni mașina.** O cheie lăsată într-o piesă rotativă a sculei electrice poate duce la vătămări.
- **Nu încercați să ajungeți în locuri inaccesibile. Păstrați-vă stabilitatea și echilibrul în orice moment.** Astfel veți avea un control mai bun asupra mașinii în situații neașteptate.
- **Îmbrăcați-vă corespunzător. Nu purtați haine largi sau bijuterii. Păstrați-vă părul și îmbrăcămintea departe de componentele în mișcare.** Îmbrăcămintea largă, bijuteriile sau părul lung pot fi prinse de piesele în mișcare.
- **Dacă sunt furnizate dispozitive pentru conectarea sistemelor de extragere și colectare a prafului, asigurați-vă că acestea sunt conectate și utilizate corespunzător.** Utilizarea dispozitivelor de colectare a prafului poate reduce pericolele legate de praf.
- **Nu permiteți ca familiaritatea dobândită în urma utilizării frecvente a mașinilor să vă facă să neglijați sau să nesocotiți principiile de siguranță ale sculei.** O operație neglijentă poate cauza vătămări grave într-o fracțiune de secundă.

## UTILIZAREA ȘI ÎNGRIJIREA MAȘINII

- **Nu forțați mașina. Utilizați mașina potrivită pentru aplicația dumneavoastră.** Mașina corectă va face o treabă mai bună și mai sigură când este utilizată conform specificațiilor pentru care a fost concepută.
- **Nu utilizați mașina dacă întrerupătorul nu comută pe pozițiile pornit și oprit.** Orice mașină care nu poate fi controlată cu întrerupătorul este periculoasă și trebuie reparată.
- **Deconectați ștecherul de la sursa de alimentare și/sau scoateți setul de acumulatori, dacă este detașabil, de la mașină înainte de a efectua ajustări, de a schimba accesoriile sau de a depozita mașinile.** Astfel de măsuri preventive reduc riscul de pornire accidentală a mașinii.
- **Păstrați mașinile inactice într-un loc inaccesibil copiilor și nu permiteți persoanelor care nu sunt familiarizate cu mașina sau cu aceste instrucțiuni să opereze mașina.** Mașinile sunt periculoase în mâinile

utilizatorilor neinstruiți.

- **Întrețineți mașina și accesoriile. Verificați dacă există abateri de la coaxialitate sau gripări ale pieselor în mișcare, avarii ale pieselor și orice altă situație care poate afecta funcționarea mașinii. Dacă este deteriorată, reparați mașina înainte de utilizare.** Multe accidente sunt cauzate de mașini prost întreținute.
- **Păstrați mașinile de tăiat ascuțite și curate.** Mașinile așchietoare întreținute corespunzător și cu muchii de tăiere ascuțite riscă mai puțin să se îndoie și sunt mai ușor de controlat.
- **Utilizați mașina, accesoriile și biturile de mașină etc. în conformitate cu aceste instrucțiuni, ținând cont de condițiile de lucru și lucrarea de efectuat.** Utilizarea mașinii pentru operații diferite de cele intenționate s-ar putea solda cu o situație periculoasă.
- **Mențineți mânerul și suprafețele de apucat uscate, curate și fără ulei și vaselină.** Mânerul și suprafețele de apucare alunecoase nu permit manevrarea în siguranță și controlul asupra mașinii în situații neașteptate.

## UTILIZAREA ȘI ÎNGRIJIREA MAȘINILOR CU BATERIE

- **Reîncărcați numai cu încărcătorul specificat de producător.** Un încărcător adecvat pentru un tip de set de acumulatori poate prezenta risc de incendiu dacă este utilizat cu alt set de acumulatori.
- **Utilizați mașinile numai cu seturile de acumulatori special menționate.** Utilizarea oricărui alt set de acumulatori prezintă risc de accidente și incendiu.
- **Când nu se utilizează setul de acumulatori, țineți-l departe de alte obiecte metalice precum clamele de hârtie, monedele, cheile, cuiele, șuruburile sau alte obiecte metalice mici care pot realiza o conexiune între borne.** Scurtcircuitarea bornelor acumulatorului poate produce arsuri sau un incendiu.
- **În condiții abuzive se poate scurge lichid din acumulator; evitați contactul. Dacă are loc contact accidental, clătiți cu apă. Dacă lichidul intră în contact cu ochii, efectuați suplimentar un consult medical.** Lichidul scurs din acumulator poate produce iritări sau arsuri.
- **Nu utilizați un set de acumulatori sau o mașină deteriorată ori modificată.** Acumulatorii deteriorați sau modificați pot prezenta comportament imprevizibil, care poate duce la incendiu, explozie sau risc de vătămare.
- **Nu expuneți setul de acumulatori la foc sau mașina la temperaturi excesive.** Expunerea la foc sau la temperaturi de peste 130°C poate provoca explozie.

**Respectați instrucțiunile de încărcare și nu încărcăți setul de acumulatori sau mașina în afara intervalului de temperatură specificat în instrucțiuni.** Încărcarea necorespunzătoare sau la temperaturi în afara domeniului specificat poate duce la deteriorarea acumulatorului și la creșterea riscului de incendiu.

#### INSTRUCȚIUNI IMPORTANTE PRIVIND SIGURANȚA

**⚠️ AVERTISMENT:** Când utilizați trimmere cu fir, trebuie să se respecte întotdeauna instrucțiunile de bază privind securitatea, inclusiv următoarele, pentru a se reduce riscul de incendiu, șoc electric și vătămare.

#### CITIȚI CU ATENȚIE ÎNAINTE DE UTILIZARE

#### PĂSTRAȚI PENTRU CONSULTARE ULTERIOARĂ

**⚠️ PERICOL:** Nu vă bazați pe izolația electrică a sculei împotriva electroșocurilor. Pentru a reduce riscul de electrocutare nu utilizați niciodată mașina în vecinătatea firelor sau cablurilor (electrice, etc.) care ar putea transporta curent electric.

**⚠️ ATENȚIE:** Purtați protecție personală auditivă adecvată în timpul utilizării. În anumite condiții și durate de utilizare, zgomotul de la acest produs poate contribui la pierderea auzului.

#### INSTRUIREA

- Citiți cu atenție instrucțiunile. Familiarizați-vă cu comenzile și cu utilizarea corectă a mașinii.
- Nu permiteți copiilor, persoanelor cu capacități fizice, senzoriale sau mentale reduse ori lipsite de experiență și cunoștințe sau persoanelor nefamiliarizate cu aceste instrucțiuni să utilizeze mașina.
- Nu tundeți niciodată marginile în timp ce sunt oameni, mai ales copii, sau animale în apropiere.
- Rețineți că operatorul sau utilizatorul este responsabil de accidentele sau pericolele la care sunt supuse alte persoane sau bunurile acestora.

#### PREGĂTIREA

- În timp ce utilizați echipamentul, purtați întotdeauna protecție oculară și auditivă, încălțăminte trainică și pantaloni lungi.
- Inspectați cu atenție zona în care urmează a fi utilizat echipamentul pentru a îndepărta toate pietrele, bețele, oasele și alte obiecte străine.
- Înainte de utilizare, verificați întotdeauna vizual lama, șuruburile lamei și ansamblul lamei să nu fie uzate sau deteriorate. Înlocuiți lamele uzate sau deteriorate și șuruburile în seturi, pentru a păstra echilibrul.

#### UTILIZAREA

- Utilizați trimmerul numai pe timp de zi sau în condiții de lumină artificială bună.
- Mențineți întotdeauna o poziție stabilă pe pante.
- Mergeți, nu fugiți niciodată.
- Fiți foarte atenți când schimbați sensul sau trageți trimmerul către dumneavoastră.
- Asigurați-vă că lama este oprită înainte de traversa suprafețe ce nu sunt acoperite cu iarbă și când transportați trimmerul dinspre și înspre zona de utilizare.
- Nu utilizați niciodată trimmerul fără apărători sau cu acestea montate greșit.
- Nu schimbați setările regulatorului de motor și nu îl supraturați motorul.
- Porniți motorul cu atenție, în conformitate cu instrucțiunile și ținând picioarele la distanță de lamă(e).
- Nu înclinați când puneți motorul în funcțiune, decât dacă trimmerul de profilat margini trebuie înclinat pentru a fi pornit. În acest caz, nu-l înclinați mai mult decât este absolut necesar și ridicați numai partea care se află la distanță de operator.
- Nu porniți motorul dacă în fața lamei(elor) se află cineva.
- Nu vă amplasați niciodată mâinile sau picioarele în apropiere sau sub părțile rotative.
- Întotdeauna opriți motorul și deconectați-l de la acumulator:
  - 1) Înainte de eliminarea blocajelor;
  - 2) Înainte de verificarea, curățarea sau orice intervenție adusă lamei(elor);
  - 3) După lovirea unui obiect străin: Verificați lama(ele) pentru depistarea avariilor și efectuați reparațiile necesare înainte de a reporni și utiliza trimmerul;
  - 4) Dacă trimmerul începe să vibreze anormal (verificați imediat).
- Opriți motorul de fiecare dată când plecați de lângă trimmer;
- Nu încărcăți setul de acumulatori în condiții de ploaie sau de umezeală.
- Utilizați numai seturile de acumulatori și încărcătorii din fig.A.
- Setul de acumulatori trebuie scos din aparat înainte de eliminarea acestuia.
- Acumulatorul trebuie eliminat într-un mod nepericulos.
- Nu eliminați acumulatorii aruncându-i în foc. Celulele riscă să explodeze. Verificați normele locale privind eventualele instrucțiuni speciale de eliminare.

- Nu desfaceți sau să mutilați acumulatorul. Electrolițul eliberat este coroziv și poate afecta ochii și pielea. Acesta poate fi toxic dacă este înghițit.
- Atenție când manevrați acumulatori pentru a scurtcircuita acumulatorul cu materiale conductoare precum inele, brățări și chei. Acumulatorul sau conductorul se pot supraîncălzi și cauza arsuri.
- Sculele electrice alimentate cu baterii nu trebuie să fie racordate la o priză electrică, de aceea, acestea sunt întotdeauna în stare de funcționare. Atenție la eventualele riscuri chiar și când scula nu este în funcțiune. Aveți grijă când efectuați operații de întreținere sau de service.
- Nu spălați trimmerul cu furtunul de grădină; evitați pătrunderea apei în motor și în conexiunile electrice.

### Întreținerea și depozitarea

- Mențineți strâns toate piulițele și șuruburile, pentru a fi siguri că aparatul este în stare bună de funcționare.
- Înlocuiți piesele uzate sau defecte.
- Nu încercați să reparați dumneavoastră trimmerul decât dacă aveți competențele necesare.
- Utilizați numai piese de schimb și accesorii recomandate de către fabricant.
- Deconectați mașina de la acumulator înainte de a efectua operațiuni de întreținere sau de a-l curăța.
- Inspectați și efectuați întreținerea mașinii cu regularitate. Dați aparatul la reparat numai unui reparator autorizat.
- Când nu este utilizată, nu lăsați mașina la îndemâna copiilor.
- În cazul situațiilor care nu sunt adresate în acest manual, utilizați grijă și raționament. Contactați centrul de service EGO pentru asistență.
- Păstrați aceste instrucțiuni. Consultați-le frecvent și utilizați-le pentru a instrui alte persoane care ar putea utiliza această sculă electrică. Dacă împrumutați cuiva această sculă, împrumutați-i și aceste instrucțiuni pentru a preveni utilizarea inadecvată a produsului și posibile răni.

### PĂSTRAȚI ACESTE INSTRUCȚIUNI!

**NOTĂ: CONSULTAȚI MANUALUL DE INSTRUCȚIUNI AL CAPULUI DE ALIMENTARE PENTRU REGULI SUPPLEMENTARE DE SIGURANȚĂ SPECIFICE**

## SPECIFICAȚII

Lungime lamă	20 cm	
Adâncime de tăiere	Până la 75 mm	
Greutate	2,26 kg	
Temperatură de funcționare	-15°C - 40°C	
Temperatură de stocare	-20°C - 70°C	
Nivel de putere sonoră măsurat $L_{WA}$	92,4 dB(A) K=2,07 dB(A) (PH1400E)	
	90,7 dB(A) K=1,46 dB(A) (PH1420E)	
	90 dB(A) K=1,3 dB(A) (PHX1600)	
Max. Nivel de presiune sonoră la urechea operatorului $L_{PA}$	79,8 dB(A) K=3 dB(A) (PH1400E)	
	81,2 dB(A) K=3 dB(A) (PH1420E)	
	84 dB(A) K=3 dB(A) (PHX1600)	
Nivel de putere sonoră garantată $L_{WA}$ (conform 2000/14/CE)	95 dB(A)	
Vibrații $a_h$	Mâner frontal de operare	1,2 m/s <sup>2</sup> K=1,5 m/s <sup>2</sup> (PH1400E)
		1,95 m/s <sup>2</sup> K=1,5 m/s <sup>2</sup> (PH1420E)
		1,6 m/s <sup>2</sup> K=1,5 m/s <sup>2</sup> (PHX1600)
	Mâner posterior	2,2 m/s <sup>2</sup> K=1,5 m/s <sup>2</sup> (PH1400E)
		1,66 m/s <sup>2</sup> K=1,5 m/s <sup>2</sup> (PH1420E)
		1,53 m/s <sup>2</sup> K=1,5 m/s <sup>2</sup> (PHX1600)



- Parametrii de mai sus sunt testați și măsurați când scula este echipată cu capul de alimentare PH1400E/PH1420E/PHX1600;
- Valoarea totală declarată a vibrațiilor a fost măsurată în conformitate cu o metodă standard de testare și poate fi utilizată pentru compararea sculelor între ele;
- Valoarea totală declarată poate fi utilizată în evaluarea preliminară a expunerii.

**OBSERVAȚIE:** Vibrațiile emise în timpul utilizării efective a sculei electrice pot diferi față de valoarea celor declarate pentru scula utilizată; Pentru protejerea operatorului, utilizatorul trebuie să poarte mănuși și protecții auditive în timpul utilizării efective a produsului.

## CONȚINUTUL AMBALAJULUI

DENUMIRE PIESĂ	CANTITATE
Accesoriu trimmer de profilat margini	1
Cheie hexagonală	1
Cheie multifuncțională	1
Cui spintecat	2
Manual de instrucțiuni	1

### Lamă recomandată

DENUMIRE PIESĂ	NUMĂR MODEL
Lamă trimmer de profilat margini	AEB0800

## DESCRIERE

### PREZENTAREA DISPOZITIVULUI DUMNEAVOASTRĂ DE PROFILAT MARGINI (Fig. A)

1. Dop
2. Tijă trimmer de profilat margini
3. Apărătoare lamă
4. Lamă
5. Buton de reglare a adâncimii
6. Roată de ghidare
7. Cheie hexagonală
8. Cheie multifuncțională
9. Interval de ghidare pentru reglarea adâncimii

10. Clapă de resturi
11. Cui spintecat
12. Șurub de fixare a plăcii de ghidare
13. Placă de ghidare

## ASAMBLAREA

**⚠ AVERTISMENT:** În caz de piese avariate sau care lipsesc, nu utilizați acest produs dacă piesele nu sunt înlocuite. Utilizarea acestui produs cu piese avariate sau lipsă poate rezulta în vătămări personale grave.

**⚠ AVERTISMENT:** Nu încercați să modificați acest produs sau să creați accesorii nerecomandate pentru acest trimmer cu fir. Orice alterare sau modificare este considerată utilizare greșită și poate duce la condiții periculoase ce pot rezulta în vătămări personale grave.

**⚠ AVERTISMENT:** Pentru a preveni pornirea accidentală care ar putea cauza vătămări personale grave, întotdeauna scoateți setul de acumulatori din mașină când asamblați componente.

**⚠ AVERTISMENT:** Purtați întotdeauna mănuși când montați sau înlocuiți apărătoarea. Aveți grijă la lama de pe apărătoare și protejați-vă mâna împotriva tăieturilor.

**⚠ AVERTISMENT:** Nu utilizați niciodată mașina fără apărătoarea bine fixată. Apărătoarea trebuie să fie întotdeauna instalată pe mașină pentru a proteja utilizatorul! Când apărătoarea este atașată, nu încercați niciodată să o îndepărtați sau să o reglați; dacă este nevoie să fie înlocuită, această operație trebuie executată de un tehnician de service autorizat!"

RO

### CONECTAREA DISPOZITIVULUI DE PROFILAT MARGINI LA CAPUL DE ALIMENTARE

Acest dispozitiv de profilat margini este conceput pentru a fi utilizat cu Capul de alimentare EGO 56V cu acumulator de Litiu-ion PH1400E/PH1420E/PHX1600.

Consultați secțiunea privind " **INSTALAREA UNUI DISPOZITIV DE PROFILAT MARGINI LA CAPUL DE ALIMENTARE** " din manualul de instrucțiuni al capului de alimentare PH1400E/PH1420E/PHX1600.

## FUNȚIONAREA

**⚠ AVERTISMENT:** Nu permiteți ca familiarizarea cu acest produs să vă facă neglijent. Amintiți-vă că o fracțiune de secundă de neglijență este suficientă pentru a provoca vătămări grave.

**⚠️ AVERTISMENT:** Purtați întotdeauna ochelari de protecție cu apărători laterale. Împreună cu protecții auditive. Nerespectarea acestei instrucțiuni ar putea avea ca rezultat proiectarea în ochi a obiectelor și alte posibile vătămări grave.

## APLICAȚII

Puteți utiliza acest produs în scopul menționat mai jos:

- Profilarea marginilor în jurul aleilor, demarcarea rondourilor de flori și alte suprafețe similare.

**OBSERVAȚIE:** Scula trebuie utilizată numai în scopul pentru care a fost proiectată. Orice altă utilizare este considerată a fi caz de utilizare necorespunzătoare.

## Înainte de fiecare utilizări, verificați pentru depistarea pieselor uzate/avariate.

Verificați capul cu bobina, apărătoarea și mânerul frontal de operare și înlocuiți piesele care sunt fisurate distorsionate, îndoite sau avariate în vreun fel.

**⚠️ AVERTISMENT:** Pentru prevenirea rănilor personale grave, scoateți setul de acumulatori din sculă înainte de a depana, curăța, înlocui accesoriile sau de a îndepărta materialul din produs.

## UTILIZAREA DISPOZITIVULUI DE PROFILAT MARGINI CU CAPUL DE ALIMENTARE

**⚠️ AVERTISMENT:** Îmbrăcați-vă corespunzător pentru a reduce riscul de rănire când utilizați această sculă. Nu purtați haine largi sau bijuterii. Purtați echipament de protecție/oculari și auditiv/pe pentru urechi. Purtați pantaloni lungi rezistenți, cizme și mănuși. Nu purtați pantaloni scurți, sandale sau să stați desculț. Purtați mască de față sau mască de praf în locurile cu praf.

**⚠️ AVERTISMENT:** Îndepărtați toate obstacolele și obiectele solide din zona de lucru.

Pentru o utilizare mai sigură și mai bună, așezați-vă pe umăr cureaua de umăr. Reglați curea de umăr într-o poziție confortabilă de lucru.

Țineți trimmerul cu mâna dreaptă pe mânerul posterior și cu mâna stângă pe mânerul frontal. Apucați ferm cu ambele mâini în timpul utilizării sculei. Trimmerul de profilat margini trebuie menținut într-o poziție confortabilă cu mânerul posterior aproximativ în înălțimea șoldului (Fig. B).

**AVERTISMENT:** Cureaua de umăr este și un mecanism rapid de detașare în situații periculoase. În caz de urgență, îndepărtați imediat cureaua de pe umăr, indiferent de modul de instalare al curelei.

## După fiecare utilizare, curățați trimmerul.

Consultați secțiunea ÎNTREȚINEREA pentru instrucțiuni privind curățarea.

## AJUSTAREA ADÂNCIMII DE TĂIERE

1. Opriti motorul și scoateți setul de acumulatori.
2. Slăbiți butonul de ajustare a adâncimii în direcția săgeții de deblocare marcată pe buton (Fig. C).
3. Deplasați roata de ghidare împreună cu bara de ghidare pentru ajustarea adâncimii, în sus pentru creșterea adâncimii de tăiere sau în jos pentru descreșterea adâncimii (Fig. D).
4. Ajustați roata de ghidare astfel încât lama de abia să atingă solul sau să pătrundă în suprafața solului maxim 5mm (Fig. E), după care strângeți-o bine.
5. Stând în poziția normală de lucru, verificați din nou adâncimea de tăiere și corectați-o dacă este nevoie.

## PORNIREA/OPRIREA SCULEI

Consultați secțiunea privind “ PORNIREA/OPRIREA CAPULUI DE ALIMENTARE ” din manualul de instrucțiuni al capului de alimentare PH1400E/PH1420E/PHX1600.

## SFATURI PRIVIND UTILIZAREA

- Țineți și ghidați capul de alimentare astfel încât lama să fie verticală. Utilizați linia de vizare pentru a alinia lama cu marginea stratului (Fig. F).
- Nu lucrați la o viteză mai mare decât cea de mers. Dacă lama începe să se înfunde, înseamnă că tăiați prea repede; încetiniți-vă ritmul.
- Întotdeauna deplasați-vă înainte când tăiați și deplasați trimmerul înainte. Nu trageți trimmerul înspre dumneavoastră.
- Nu forțați lama în sol. Contactul ușor dintre lamă și marginea trotuarului, curbei, etc, este acceptabilă și nu va avaria trimmerul.
- Cele mai bune rezultate sunt obținute când iarba este uscată. Evitați profilarea în solul umed sau zonele cu iarbă udă deoarece apărătoarea de lamă riscă să se înfunde rezultând un profil neuniform. Dacă lama se înfundă, opriti motorul, detașați setul de acumulatori și îndepărtați resturile de pe apărătoarea lamei.

## ÎNȚEȚINEREA

**⚠️ AVERTISMENT:** Înainte de a inspecta, curăța sau de efectua operațiuni de service asupra aparatului, opriți motorul, asigurați-vă că toate componentele mobile sunt oprite și îndepărtați setul de acumulatori dacă este nevoie. Nerespectarea acestor instrucțiuni se poate solda cu vătămări corporale grave sau distrugerea bunurilor.

**⚠️ AVERTISMENT:** Când efectuați operații de service, utilizați doar piese de schimb identice. Utilizarea oricăror altor piese poate crea un pericol sau poate produce o deteriorare. Pentru siguranța și fiabilitatea produsului, toate reparațiile ar trebui efectuate de către un tehnician de service autorizat.

### ÎNȚEȚINERE GENERALĂ

Evitați utilizarea solvenților când curățați piese din plastic. Majoritatea pieselor din plastic sunt susceptibile să se deterioreze de la diverse tipuri de solvenți comerciali și se pot defecta prin utilizarea acestora. Utilizați cârpe curate pentru a îndepărta murdăria, praful, uleiul, vaselina etc.

### CURĂȚAREA PRODUSULUI

- După fiecare utilizare, curățați, solul acumulat sau lama de pe lamă și de pe apărătoare, utilizând o perie moale. Ștergeți suprafața trimmerului cu o cârpă curată, umezită cu o soluție ce conține un detergent slab.
- Utilizați o perie mică sau fanta de aer cu perie a unui aspirator mic pentru a curăța fantele de aerisire de obstrucții de pe carcasa posterioară.

**OBSERVAȚIE:** Nu utilizați detergenți puternici pe carcasa de plastic sau pe mâner. Acestea pot fi deteriorarea de anumite uleiuri parfumate precum molid și lămâie.

### ÎNLOCUIREA LAMEI

**⚠️ AVERTISMENT:** Nu încercați să îndreptați sau să sudați o lamă îndoită sau fisurată - aceasta riscă să se rupă - va trebui înlocuită. Vă recomandăm să înlocuiți lama trimmerului numai cu o lamă de trimmer EGO, consultați secțiunea "Lama recomandată".

**OBSERVAȚIE:** Înlocuiți lama dacă lungimea acesteia este insuficientă pentru a menține distanța necesară față de sol și obține adâncimea de tăiere necesară.

**⚠️ AVERTISMENT:** Întotdeauna protejați-vă mâinile purtând mănuși rezistente sau înfășurând lama cu cârpe sau alte materiale când efectuați orice operație de întreținere asupra lamei de tăiere a trimmerului.

### Îndepărtarea lamei

1. Opriți motorul și scoateți setul de acumulatori.
2. Poziționați trimmerul de profilat margini pe spate astfel încât lama să fie îndreptată în sus.
3. Purtați mănuși de protecție Utilizați un clește cu cioc lung (neinclus) pentru a îndepărta cuiul spintecat din axul motorului (Fig. G).
4. Rotiți lama pentru a alinia canelura din flanșă cu orificiul din carcasa cutiei de viteze (Fig. G).

Fig. W pentru descrierea pieselor consultați tabelul de mai jos:

G-1	Cui spintecat
G-2	Flanșă interioară
G-3	Carcasă cutie de viteze

5. Introduceți cheia hexagonală în orificiile aliniate pentru a se comporta ca un stabilizator. Utilizați cheia multifuncțională furnizată pentru a slăbi piulița **ÎN SENSUL ACELOR DE CEAS** (Fig. H).
6. Îndepărtați piulița, flanșa exterioră, lama și flanșa interioară de pe axul motorului (Fig. I). Verificați-le și înlocuiți-le dacă sunt uzate.

Fig. I pentru descrierea pieselor consultați tabelul de mai jos:

I-1	Ax motor	I-5	Lamă
I-2	Flanșă interioară	I-6	Flanșă exterioră
I-3	Canelură în flanșa interioară	I-7	Piuliță
I-4	Proeminență pe flanșa interioară	I-8	Cui spintecat

### Instalarea lamei

1. Poziționați flanșa interioară pe axul motorului cu proeminența îndreptată înspre exterior (Fig. I).
2. Instalați o nouă lamă pe flanșa interioară, asigurându-vă că lama este montată în siguranță la locul ei (Fig. J).
3. Instalați flanșa exterioră, iar apoi piulița pe ax, și strângeți piulița **ÎN SENS INVERS ACELOR DE CEAS** cu mâna.
4. Urmați pașii de mai sus 4 & 5 din secțiunea "Îndepărtarea lamei" pentru a stabili lama și a strânge bine piulița **ÎN SENS INVERS ACELOR DE CEAS**.
5. Introduceți un nou cui spintecat în orificiul din axul motorului. Îndoiiți cele două piciorușe ale cuiului în direcții opuse cu ajutorul cleștelui cu cioc lung (neinclus) (Fig. G).

## ÎNLOCUIREA ROȚII DE GHIDARE

1. Oprii motorul și scoateți setul de acumulatori.
2. Poziționați trimmerul de profilat margini pe spate astfel încât roata de ghidare să fie îndreptată în sus.
3. Slăbiți butonul de ajustare a adâncimii în direcția săgeții de deblocare marcată pe buton și îndepărtați-l.
4. Îndepărtați șaiba elastică, șaiba normală 1, roata de ghidare, bucușă și șaiba normală 2 de pe tija cu filet (Fig. K). Verificați-le și înlocuiți-le dacă sunt uzate.
5. Montați mai întâi tija cu filet prin intervalul de ghidare pentru reglarea adâncimii, după care șaiba normală 2, bucușă și roata nouă, după care montați șaiba normală 1, șaiba elastică și butonul de reglare a adâncimii pe tija cu filet în ordinea descrisă în Fig. K.

Fig. K pentru descrierea pieselor consultați tabelul de mai jos:

K-1	Buton de reglare a adâncimii	K-5	Bucușă
K-2	Șaibă elastică	K-6	Șaibă normală 2
K-3	Șaibă normală 1	K-7	Tijă cu filet
K-4	Roată de ghidare	K-8	Interval de ghidare pentru reglarea adâncimii

**OBSERVAȚIE:** Roata de ghidare trebuie montată cu nervurile roții îndreptate înspre interior (Fig. L).

Fig. L pentru descrierea pieselor consultați tabelul de mai jos:

L-1	Șuruburi	L-3	Clapă de resturi
L-2	Nervură roată	L-4	Plăcuță de prindere

6. Blocați butonul de ajustare al adâncimii.

## ÎNLOCUIREA CLAPEI DE RESTURI (Fig. L)

1. Oprii motorul și scoateți setul de acumulatori.
2. Utilizați cheia hexagonală furnizată pentru a slăbi cele două șuruburi.
3. Îndepărtați șuruburile, plăcuța de fixare și clapa de resturi.
4. Înlocuiți clapa cu una nouă și blocați-o cu plăcuța de fixare și cu cele două șuruburi.

## VERIFICAREA ȘI ÎNLOCUIREA APĂRĂTORII ANTI UZURĂ/PLĂCUIEI DE GHIDARE (Fig. M)

Verificați apărătoarea anti uzură și plăcuța de ghidare pentru depistarea deteriorărilor înainte de a pune în funcțiune scula. Apărătoarea anti uzură trebuie înlocuită imediat după ce carcasa cutiei de viteze devine vizibilă.

**OBSERVAȚIE:** Carcasa cutiei de viteze poate fi grav avariata dacă nu înlocuiți imediat apărătoarea de protecție anti-uzură când carcasa cutiei de viteze devine vizibilă.

1. Oprii motorul și scoateți setul de acumulatori.
2. Purtați mănuși de protecție Rotiți lama după cum este nevoie pentru a expune cele două șuruburi.
3. Utilizați cheia hexagonală furnizată pentru a slăbi și îndepărta cele două șuruburi.

**OBSERVAȚIE:** Dacă nu trebuie decât să înlocuiți plăcuța de ghidare, slăbiți și îndepărtați numai șurubul 1.

4. Îndepărtați apărătoarea anti-uzură/plăcuța de ghidare uzată.
5. Instalați noua apărătoare anti-uzură și plăcuța de ghidare pe carcasa cutiei de viteze și blocați-le cu două șuruburi.

Fig. M pentru descrierea pieselor consultați tabelul de mai jos:

M-1	Șurub 1	M-4	Apărătoare anti-uzură
M-2	Plăcuță de ghidare	M-5	Orificii de montare
M-3	Șurub 2	M-6	Carcasă cutie de viteze

## ÎNDEPĂRTAREA PLĂCUIEI DE GHIDARE

Dacă aveți experiență cu acest tip de trimmer de profilat margini sau dacă vi se pare că plăcuța de ghidare vă împiedică să profilați marginile, puteți îndepărta plăcuța de ghidare.

1. Slăbiți și îndepărtați șurubul 1.
2. Îndepărtați plăcuța de ghidare.
3. Înlocuiți și strângeți șurubul 1.

## LUBRIFIEREA ANGRENAJELOR DE TRANSMISIE

Angrenajele de transmisie din carcasa cutiei de viteze trebuie lubrificate periodic cu unsoare pentru angrenaje. Verificați nivelul unsoarei din carcasa cutiei de viteze la fiecare 50 de ore de utilizare îndepărtând șurubul de etanșeizare de pe latura carcasei.

Dacă pe laturile angrenajului nu se vede unsoare, urmați pașii de mai jos pentru a umple cu unsoare de angrenaj 3/4 din capacitate.

Nu umpleți complet angrenajele de transmisie.

1. Poziționați trimmerul vertical, astfel încât șurubul de etanșeizare este îndreptat în sus (Fig. N).
2. Utilizați cheia hexagonală furnizată pentru a slăbi și îndepărta șurubul de etanșeizare. Utilizați o seringă (neinclusă) pentru a injecta o cantitate de unsoare în orificiul șurubului; nu depășiți 3/4 din capacitate.
3. După injectare, strângeți șurubul de etanșeizare.

### DEPOZITAREA PRODUSULUI

- Detașați setul de acumulatori de pe trimmer.
- Curățați scula bine înainte de a o depozita.
- Dacă dispozitivul de profilat margini este detașat de capul de alimentare și depozitat separat, instalați dopul pe tija dispozitivului pentru a se evita pătrunderea murdăriei în cuplaj.
- Depozitați aparatul într-un loc uscat, bine aerisit, închis cu cheia sau la înălțime, în care copiii nu au acces. Nu depozitați produsul pe sau lângă fertilizanți, benzină sau alte chimicale.

### Protejarea mediului înconjurător



Nu eliminați echipamentul electric, acumulatorul epuizat și încărcătorul de acumulator împreună cu deșeurile menajere! Predați acest produs unui punct de reciclare autorizat și puneți-l la dispoziția colectării separate. Mașina electrică trebuie returnată unui centru de reciclare ecologic.

RO

## GHID DE DEPANARE

PROBLEMĂ	CAUZĂ	SOLUȚIE
Motorul nu pornește	<ul style="list-style-type: none"> <li>■ Setul de acumulatori nu este atașat de capul de alimentare.</li> <li>■ Nu există contact electric între capul de alimentare și setul de acumulatori.</li> <li>■ Setul de acumulatori este descărcat.</li> <li>■ Buton de blocare și trăgaciul nu sunt apăsat simultan.</li> </ul>	<ul style="list-style-type: none"> <li>■ Atașați setul de acumulatori de capul de alimentare.</li> <li>■ Îndepărtați acumulatorul, verificați contactele și reinstalați setul de acumulatori până când acesta se anclanșează în poziție.</li> <li>■ Încărcați acest set de acumulatori cu încărcătorii EGO menționați în acest manual.</li> <li>■ Apăsați în jos maneta de blocare și țineți-o apăsată, după care apăsați trăgaciul declanșator pentru a porni trimmerul.</li> </ul>
Capul de alimentare se oprește în timpul funcționării.	<ul style="list-style-type: none"> <li>■ Motorul este suprasolicitat.</li> <li>■ Setul de acumulatori sau capul de alimentare sunt prea fierbinți.</li> <li>■ Setul de acumulatori este deconectat de la sculă.</li> <li>■ Setul de acumulatori este descărcat.</li> </ul>	<ul style="list-style-type: none"> <li>■ Motorul își va reveni după ce sarcina este îndepărtată. Pentru lucru continuu, diminueați sarcina capului de alimentare.</li> <li>■ Lăsați setul de acumulatori sau capul de alimentare să se răcească până când temperatura scade sub 67°C.</li> <li>■ Reinstalați setul de acumulatori.</li> <li>■ Încărcați acest set de acumulatori cu încărcătorii EGO menționați în acest manual.</li> </ul>
Profil neuniform	<ul style="list-style-type: none"> <li>■ Iarba sau solul sunt prea ude.</li> <li>■ Apărătoarea lamei este înfundată.</li> </ul>	<ul style="list-style-type: none"> <li>■ Evitați utilizarea trimmerului pe sol umed sau iarbă udă.</li> <li>■ Opiți motorul, detașați setul de acumulatori și îndepărtați resturile de pe apărătoarea lamei.</li> </ul>

RO

## GARANȚIA

### POLITICA DE GARANȚIE EGO

Vă rugăm consultați website-ul [egopowerplus.eu](http://egopowerplus.eu) pentru termenii și condițiile complete ale politicii de garanție EGO.

## PREBERITE VSA NAVODILA!



### PREBERITE PRIROČNIK Z NAVODILI ZA UPORABO

**⚠ OPOZORILO:** Za zagotovitev varnosti in zanesljivosti mora vsa popravila izvesti usposobljen serviser.

## VARNOSTNI SIMBOLI

Namen varnostnih simbolov je, da pritegnejo vašo pozornost na morebitne nevarnosti. Varnostni simboli in njihova pojasnila si zaslužijo vašo pozornost in razumevanje. Opozorilni simboli sami ne odpravljajo nobene nevarnosti. Navodila in opozorila niso nadomestilo za ustrezne ukrepe za preprečevanje nesreč.

**⚠ OPOZORILO:** Poskrbite, da boste pred uporabo orodja prebrali in razumeli vsa varnostna navodila v priročniku z navodili za uporabo, vključno z vsemi simboli za varnostna opozorila, kot so »NEVARNOST«, »OPOZORILO«, in »SVARILO«. Neupoštevanje spodaj navedenih navodil se lahko odrazi v električnem udaru, požaru in/ali resnih telesnih poškodbah.

## POMEN SIMBOLOV

**⚠ SIMBOL VARNOSTNEGA OPOZORILA:** Nakazuje NEVARNOST, OPOZORILO ali SVARILO. Uporablja se lahko skupaj z drugimi simboli ali piktogrami.



**⚠ OPOZORILO:** Delovanje katerega koli električnega orodja lahko povzroči metanje tujkov v vaše oči, kar lahko povzroči resne poškodbe očesa. Pred začetkom dela z električnim orodjem vedno nosite zaščitna očala ali varnostna očala s stranskimi zaščitami in kadar je treba tudi ščit za celoten obraz. Priporočamo vam uporabo varnostne maske Wide Vision Safety Mask za uporabo preko očal ali standardnih varnostnih očal s stransko zaščito.

## VARNOSTNA NAVODILA

Na tej strani so prikazani in opisani varnostni simboli, ki se lahko pojavijo na tem izdelku. Preberite, osvojite in sledite navodilom na stroju preden ga boste poskušali sestaviti in upravljati.

	Varnostno opozorilo	Označuje potencialno nevarnost telesnih poškodb.
	Preberite priročnik z navodili za uporabo	Za zmanjšanje nevarnosti poškodb je pomembno, da si uporabnik pred uporabo naprave prebere uporabniški priročnik.
	Nosite zaščito za ušesa in oči	Pri upravljanju tega izdelka vedno nosite zaščitna očala ali varnostna očala s stransko zaščito in zaščito za celoten obraz.
	Dolžina rezila obrezovalnika robov	Dolžina rezila obrezovalnika robov
	Prisotni naj bodo varno oddaljeni	Razdalja med napravo in drugimi prisotnimi ljudmi mora biti najmanj 15 m.
	Smer vrtenja rezila obrezovalnika robov	Kaže smer vrtenja rezila obrezovalnika robov.
	Izvrženi predmeti	Površino, na kateri boste uporabljali opremo, temeljito preglejte in odstranite vse kamne, palce, žice, kosti in druge tujke.
	Nosite zaščitno obutev	Nosite nedrsno zaščitno obutev, ko uporabljate to opremo.
	Vrtljivo rezilo	Roke in stopala držite stran od vrtečih se delov.
	Ohranite zadostno razdaljo od električnih kablov	Da preprečite nevarnost električnega udara, bodite pri upravljanju naprave vsaj 15 metrov oddaljeni od nadzemnih električnih vodov. Stik z električnimi kable ali uporaba naprave v njihovi bližini lahko povzroči resne poškodbe ali električni udar, kar lahko povzroči smrt.
	CE	Ta izdelek je v skladu z veljavnimi direktivami ES.

SL

	UKCA	Ta izdelek je v skladu z veljavno zakonodajo Združenega kraljestva.
	Odpadna električna in elektronska oprema (OEEO)	Odpadnih električnih izdelkov se ne sme odlagati med gospodinjinske odpadke. Odnosite jih k pooblaščenemu izvajalcu postopka recikliranja.
	Hrup	Zajamčena raven zvočnega tlaka. Emisije hrupa v okolico so v skladu z direktivo Evropske skupnosti.
V	Volt	Napetost
mm	Milimeter	Dolžina ali velikost
cm	Centimeter	Dolžina ali velikost
kg	Kilogram	Teža
	Enosmerni tok	Vrsta ali značilnost toka

## SPLOŠNA VARNOSTNA NAVODILA ZA STROJ

**⚠ OPOZORILO:** Preberite vsa varnostna opozorila, navodila, slike in tehnične podatke, ki so priloženi tej napravi. Zaradi neupoštevanja spodaj navedenih navodil lahko pride do električnega udara, požara in/ali hudih telesnih poškodb.

**SL**

Vsa opozorila in navodila shranite za kasnejšo uporabo.

izraz »stroj« v opozorilih se nanaša na stroj, ki ga poganja električni tok (žični), ali na baterijski (brežžični) stroj.

### VARNOST NA OBMOČJU DELA.

- **Delovno območje naj bo čisto in dobro osvetljeno.** Na neurejenih ali temnih območjih se hitro zgodijo nesreče.
- **Naprave ne upravljajte v eksplozivnih atmosferah, na primer ob prisotnosti vnetljivih tekočin, plinov ali prahu.** Naprave ustvarjajo iskre, ki lahko povzročijo vžig prahu ali hlapov.
- **Med uporabo naprave poskrbite, da otroci in mimoidoči ne bodo v bližini.** Zaradi motenj lahko izgubite nadzor.

### ELEKTRIČNA VARNOST

- **Vtiči naprave se morajo prilegati vtičnicam. Vtiča nikoli ne smete spreminjati na kakršen koli način. Z ozemljenimi napravami ne uporabljajte nikakršnih adapterskih vtičev.** Nespremenjeni vtiči in pripadajoče vtičnice bodo zmanjšali tveganje električnega udara.

- **Izogibajte se telesnemu stiku z ozemljenimi površinami, kot so cevi, radiatorji, štedilniki in hladilniki.** Če je vaše telo ozemljeno, obstaja povečano tveganje električnega udara.
- **Naprave ne uporabljajte v dežju ali mokrih pogojih.** Voda, ki pride v napravo, lahko poveča tveganje za električni udar ali okvaro, kar bi lahko povzročilo telesne poškodbe.
- **Ne poškodujte električnega kabla. Kabla ne uporabljajte za nošenje, vlečenje ali odklop naprave. Kabel hranite stran od vročine, olja, ostrih robov ali premikajočih se delov.** Poškodovani ali zapleteni kablji zvišujejo tveganje električnega udara.
- **Med uporabo naprave na prostem uporabite podaljšek, ki je primeren za uporabo na prostem.** Uporaba kabla, primernega za zunanjo uporabo, znižuje tveganje električnega udara.
- **Če je uporaba naprave na vlažnem mestu neizogibna, uporabite stikalo za prekinitve napajanja pri najmanjšem okvarnem toku (GFCI).** Uporaba stikala bo zmanjšala nevarnost električnega udara.

### OSEBNA VARNOST

- **Med uporabo naprave bodite pozorni, spremljajte potek dela in uporabljajte zdrav razum. Naprave ne uporabljajte, kadar ste utrujeni oziroma pod vplivom drog, alkohola ali zdravil.** Trenutek nepazljivosti med uporabo naprave lahko povzroči hude telesne poškodbe.
- **Uporabljajte osebno varovalno opremo. Vedno nosite zaščito za oči.** Če v določenih okoliščinah nosite ustrezno zaščitno opremo, kot so maska proti prahu, zaščitna obutev z nadržecim podplatom, trdno pokrivalo glave in zaščita za sluh, zmanjšate možnost telesnih poškodb.
- **Preprečite neželen zagon. Pred priklopom na vir napajanja in/ali priklopom baterijskega sklopa ter pred dvigovanjem ali nošenjem naprave se prepričajte, da je stikalo v položaju za izklop.** Prenašanje naprav s prstom na stikalo ali vklop naprav, pri katerih je stikalo v položaju za vklop, povzroči tveganje za nesreče.
- **Pred vklopom naprave odstranite morebitne nastavitvene ali viličaste ključe.** Viličasti ali drug ključ, ki je pritrjen na vrtljivi del naprave, lahko povzroči telesne poškodbe.
- **Ne stegujte se preveč. Pazite, da ves čas stojite stabilno in ohranjate ravnotežje.** To omogoča boljši nadzor nad napravo v nepričakovanih situacijah.



- **Bodite primerno oblečeni. Ne nosite ohlapnih oblačil ali nakita. Pazite, da lasje in oblačila ne pridejo v bližino gibljivih delov.** Ohlapna oblačila, nakit ali dolgi lasje se lahko zapletejo v gibljive dele.
- **Če imate na voljo naprave za sesanje in zbiranje prahu, preverite, ali so priključene in ali se ustrezno uporabljajo.** Uporaba naprav za zbiranje prahu lahko zmanjša nevarnosti, povezane s prahom.
- **Čeprav dobro poznate napravo zaradi pogoste uporabe, ne postanite brezbržni in ne prezrite varnostnih načel naprave.** Nepazljivost pri uporabi lahko povzroči hude telesne poškodbe v delcu sekunde.

#### UPORABA IN NEGA STROJA

- **Naprave orodja ne preobremenjujte.** Uporabite napravo, ki je primerno za vaše delo. Ustrezna naprava bo nalogo opravila bolje in varneje pri zmogljivosti, za katero je bila zasnovana.
- **Naprave ne uporabljajte, če je ni mogoče vklopiti in izklopiti s stikalom.** Naprava, ki je ni mogoče upravljati s stikalom, je nevarna in jo je treba popraviti.
- **Pred kakršnimi koli nastavitvami, menjavo dodatne opreme ali shranjevanjem stroja izključite vtič iz vira napajanja in/ali iz naprave odstranite baterijski sklop, če ga je mogoče odstraniti.** Taki preventivni varnostni ukrepi zmanjšujejo tveganje nenamernega zagona naprave.
- **Neaktivne naprave shranjujte zunaj dosega otrok in osebam, ki niso seznanjene z napravo ali s temi navodili, preprečite upravljanje naprave.** Naprave so v rokah neusposobljenih uporabnikov nevarni.
- **Poskrbite za vzdrževanje naprave in dodatne opreme. Preverite, ali so gibljivi deli nepravilno poravnani ali povezani, ali so deli polomljeni oziroma obstaja kakršno koli drugo stanje, ki bi lahko vplivalo na delovanje naprave. Če je naprava poškodovana, jo pred uporabo popravite.** Veliko nesreč je posledica slabo vzdrževanih naprav.
- **Rezalne naprave naj bodo vedno nabrušene in čiste.** Pravilno vzdrževane rezalne naprave z ostrimi rezili se težje zaskočijo in jih je lažje nadzirati.
- **Napravo, dodatno opremo, dele naprave itd. uporabljajte v skladu s temi navodili, pri tem pa upoštevajte delovne pogoje in delo, ki ga boste opravljali.** Če boste napravo uporabljali za postopke, ki niso predvideni, lahko pride do nevarnih situacij.
- **Ročaji in prijemalne površine naj bodo suhe, čiste in brez madežev olja ali masti.** Drseči ročaji in prijemalne površine ne omogočajo varne uporabe in upravljanja naprave v nepričakovanih situacijah.

#### UPORABA IN NEGA BATERIJSKE NAPRAVE

- **Baterijo polnite le s polnilnikom, ki ga določa proizvajalec.** Polnilnik, ki je primeren za eno vrsto baterijskih sklopov, morda lahko povzroči nevarnost požara, če z njim polnite drugo vrsto baterijskih sklopov.
- **Naprave uporabljajte samo s predpisano vrsto baterijskih sklopov.** Uporaba katerih koli drugih baterijskih sklopov lahko povzroči tveganje za telesne poškodbe in požar.
- **Ko baterijski sklop ni v uporabi, ga hranite ločeno od drugih kovinskih predmetov, kot so sponke za papir, kovanci, ključi, žblji, vijaki ali drugi majhni kovinski predmeti, ki lahko povzročijo stik med enim in drugim kontaktom.** Kratak stik zaradi povezanih kontaktov baterije lahko povzroči opekline ali požar.
- **Ob zlorabi baterije lahko iz nje brizgne tekočina, stik s katero preprečite. Če se nehote dotaknete tekočine, mesto stika sperite z vodo. Če pride tekočina v stik z očmi, poleg tega poiščite zdravstveno pomoč.** Tekočina, ki brizgne iz baterije, lahko povzroči draženje ali opekline.
- **Ne uporabljajte poškodovanega ali spremenjenega baterijskega sklopa ali naprave.** Poškodovane ali spremenjene baterije lahko nepredvidljivo delujejo, zaradi česar lahko pride do požara, eksplozije ali nevarnosti telesnih poškodb.
- **Baterijskega sklopa ali naprave ne izpostavljajte ognju ali previsokim temperaturam.** Izpostavljanje ognju ali temperaturam nad 130 °C lahko povzroči eksplozijo.

Upoštevajte vsa navodila za polnjenje in baterijskega sklopa ali naprave ne polnite zunaj temperaturnega razpona, navedenega v navodilih. Zaradi nepravilnega polnjenja ali temperature zunaj navedenega razpona lahko pride do poškodb baterije in povečanega tveganja za požar.

#### POMEMBNA VARNOSTNA NAVODILA

**⚠ OPOZORILO:** Pri uporabi kosilnic z nitko morate vedno upoštevati osnovne previdnostne ukrepe, saj le tako lahko zmanjšate nevarnost požara, električnega udara, opeklin in telesnih poškodb, vključno s sledečim:

**PRED UPORABO NATANČNO PREBERITE.**

**SHRANITE ZA PRIHODNJO UPORABO.**

**⚠ NEVARNOST:** Ne zanašajte se na izolacijo orodja za zaščito pred električnim udarom. Da zmanjšate nevarnost električnega udara, stroja nikoli ne upravljajte v bližini žic in kablov (napajanje itd.), ki so lahko pod napetostjo.

**⚠ SVARILLO:** Med uporabo nosite primerno zaščito za sluh. Pod nekaterimi pogoji in dolžino uporabe lahko ta izdelek prispeva k izgubi sluha.

## URJENJE

- Pazljivo preberite navodila. Seznanite se s kontrolami in pravilno uporabo naprave.
- Naprave nikoli ne smejo uporabljati otroci ali osebe, ki s to napravo niso seznanjene. Krajevni predpisi lahko omejujejo starostno mejo upravljavcev.
- Ne obrezujte robov, če so v bližini ljudje, zlasti otroci, ali domače živali.
- Zapomnite si, da je uporabnik ali upravljavec odgovoren za vse nesreče ali nevarnosti, ki bi se lahko zgodile prisotnim ali njihovi lastnini.

## PRIPRAVA

- Med obrezovanjem robov vedno nosite zaščito za oči in ušesa, robustno obutev in dolge hlače.
- Površino, na kateri boste uporabljali opremo, temeljito pregledajte in odstranite vse kamne, palice, žice, kosti in druge tujke.
- Pred uporabo napravo pregledajte za obrabo ali poškodbe rezil, vijaka rezila in sklopa rezila. Obrabljena ali poškodovana rezila in vijake zamenjajte hkrati, da ohranite uravnoteženost naprave.

## Delovanje

- Obrezujte le podnevi ali ob dobri umetni svetlobi.
- Pri uporabi na pobočjih vedno pazite na ravnotežje.
- Hodite, nikoli ne tecite.
- Pri premikanju nazaj ali vlečenju obrezovalnika proti sebi bodite izjemno previdni.
- Pred prečkanjem površin, razen trave, in med transportom obrezovalnika robov na površino za obrezovanje ali z nje se prepričajte, da se rezilo ne vrti.
- Obrezovalnika nikoli ne uporabljajte z okvarjenimi, manjkajočimi ali nepravilno nameščenimi rezili.
- Ne spreminjajte nastavitev krmilnika motorja ali prekoračite hitrosti motorja.
- Motor zaženite previdno v skladu z navodili in s stopali dovolj odmaknjenimi od rezila.
- Ne nagnite naprave pri vklapljanju motorja, razen če je obrezovalnik robov treba nagniti za zagon. V tem primeru ga ne nagnite več kot je nujno potrebno in nagnite samo del, ki je obrnjen stran od upravljavca.

- Motorja ne zaženite, če pred rezili stoji druga oseba.
- Roke in stopala držite stran od vrtečih se delov.
- Vedno izklopite motor in odklopite baterije:
  - 1) pred čiščenjem zagozd;
  - 2) pred pregledom, čiščenjem rezil ali delom z njimi;
  - 3) po tem, ko zadenete ob tujek: pregledjte rezilo za poškodbe in jih odpravite pred ponovnim zagonom ter upravljanjem obrezovalnika;
  - 4) če obrezovalnik začne nenormalno vibrirati (preverite takoj).
- Motor zaustavite vedno, ko zapustite obrezovalnik.
- Baterijskega sklopa ne polnite v dežju ali na vlažnih mestih.
- Napravo uporabljajte le z akumulatorskimi baterijami in polnilniki, navedenimi v sliki A.
- Preden napravo zavržete, morate iz nje odstraniti baterijski sklop.
- Baterijo morate varno odvreči.
- Baterije ne odstranite v ogenj. Celice lahko eksplodirajo. Preverite lokalne predpise za morebitna posebna navodila glede odstranjevanja.
- Baterije ne odpirajte ali poškodujte. Sproščeni elektroliti so korozivni in lahko poškodujejo oči ali kožo. Lahko so strupeni, če jih zaužijete.
- Pri ravnanju z baterijami bodite previdni in pazite, da ne povzročite kratkega stika s prevodnimi materiali, kot so prstani, zapestnice in ključi. Baterija ali prevodnik se lahko pregrejeta in povzročite opekline.
- Baterijskih orodij ni potrebno vključiti v električno vtičnico, zato so vedno v stanju delovanja. Zavedajte se mogočih nevarnosti tudi, ko orodje ne deluje. Bodite previdni pri vzdrževanju ali servisiranju.
- Naprave ne umivajte s cevjo. Voda naj ne pride v motor ali električne priključke.

## Vzdrževanje in shranjevanje

- Vse matice in vijaki naj bodo trdno priviti, da boste zagotovili varno delovno stanje opreme.
- Izrabljene ali poškodovane dele zamenjajte.
- Ne poskušajte popraviti stroja, če se ne počutite dovolj usposobljeni.
- Uporabljajte samo nadomestne dele in dodatke, ki jih priporoča proizvajalec.
- Pred začetkom vzdrževalnih del ali čiščenja stroj odklopite z baterije.
- Stroj redno preverjajte in vzdržujte. Stroj naj popravlja le pooblaščen serviser.

- Ko ni v uporabi, stroj pospravite izven dosega otrok.
- Če pride do situacij, ki niso zajete v tem priročniku, bodite pazljivi in uporabite dobro presojo. Za pomoč stopite v stik servisnim centrom EGO.
- Ta navodila shranite. Pogosto jih preberite in jih uporabite za poučevanje ostalih, ki uporabljajo to orodje. Če to orodje komu posodite, mu posodite tudi ta navodila, da preprečite nepravilno uporabo izdelka in morebitne poškodbe.

#### TA NAVODILA SHRANITE!

**OPOMBA: DODATNA SPECIFIČNA VARNOSTNA PRAVILA NAJDETE V PRIROČNIKU Z NAVODILI POGONSKE ENOTE.**

#### TEHNIČNI PODATKI

Dolžina rezila	20 cm
Globina obrezovanja	Do 75 mm
Teža	2,26 kg
Obratovalna temperatura	0d – 15°C do 40°C
Temperatura za shranjevanje	0d – 20°C do 70°C
Izmerjena raven zvočnega tlaka $L_{WA}$	92,4 dB(A) K=2,07 dB(A) (PH1400E)
	90,7 dB(A) K=1,46 dB(A) (PH1420E)
	90 dB(A) K=1,3 dB(A) (PHX1600)
Max. Raven zvočnega tlaka v ušesu upravljavca $L_{PA}$	79,8 dB(A) K=3 dB(A) (PH1400E)
	81,2 dB(A) K=3 dB(A) (PH1420E)
	84 dB(A) K=3 dB(A) (PHX1600)
Zajamčena raven zvočnega tlaka $L_{WA}$ (glede na 2000/14/EC)	95 dB(A)

Vibracije $a_h$	Sprednji ročaj za prijem	1,2 m/s <sup>2</sup> K=1,5 m/s <sup>2</sup> (PH1400E)
		1,95 m/s <sup>2</sup> K=1,5 m/s <sup>2</sup> (PH1420E)
		1,6 m/s <sup>2</sup> K=1,5 m/s <sup>2</sup> (PHX1600)
	Zadnji ročaj	2,2 m/s <sup>2</sup> K=1,5 m/s <sup>2</sup> (PH1400E)
		1,66 m/s <sup>2</sup> K=1,5 m/s <sup>2</sup> (PH1420E)
		1,53 m/s <sup>2</sup> K=1,5 m/s <sup>2</sup> (PHX1600)

- Zgornji parametri so preskušeni in izmerjeni z nameščeno pogonsko enoto PH1400E/PH1420E/PHX1600;
- Deklarirana skupna vrednost vibracij je bila izmerjena v skladu s standardno preskusno metodo in se lahko uporabi za medsebojno primerjavo različnih orodij;
- Navedena skupna vrednost vibracij se lahko uporabi za predhodne ocene izpostavljenosti.

**OPOMBA:** Emisije vibracij se lahko med dejansko uporabo električnega orodja razlikujejo od deklarirane vrednosti, pri kateri se orodje uporablja. Z namenom zaščite upravljavca mora uporabnik v dejanskih pogojih uporabe nositi rokavice in zaščitno za ušesa.

**SL**

#### SEZNAM PAKIRANJA

IME DELA	KOLIČINA
Obrezovalnik robov	1
Imbus ključ	1
Večnamenski ključ	1
Razcepka	2
Priročnik z navodili za uporabo	1

#### Priporočeno rezilo

IME DELA	ŠTEVILKA MODELA
Rezilo obrezovalnika robov	AEB0800

## OPIS

### SPOZNAJTE SVOJ OBREZOVALNIK ROBOV (slika A)

1. Pokrovček
2. Gred obrezovalnika robov
3. Ščitnik rezila
4. Rezilo
5. Gumb za nastavljanje globine
6. Vodilno kolo
7. Imbus ključ
8. Večnamenski ključ
9. Reža za nastavljanje globine
10. Zaščitna zavesica
11. Razcepka
12. Vijak za pričvrstitev vodilne plošče
13. Vodilna plošča

## SESTAVA

**⚠ OPOZORILO:** Če so deli poškodovani ali manjkajo, izdelka ne uporabljajte, dokler deli niso zamenjani. Če ta izdelek uporabljate s poškodovanimi ali manjkajočimi deli, se lahko resno poškodujete.

**⚠ OPOZORILO:** Tega izdelka ne poskušajte spreminjati in ne poskušajte izdelovati dodatkov, ki niso priporočeni za uporabo s to kosilnico z nitko. Vsako tako spreminjanje je zloraba in lahko privede do tveganj, ta pa do hudih telesnih poškodb.

**⚠ OPOZORILO:** Pri nameščanju delov vedno odstranite baterijski sklop, da preprečite nenamerni zagon, ki bi lahko povzročil resno telesno poškodbo.

**⚠ OPOZORILO:** Pri montaži ali zamenjavi ščitnika vedno nosite rokavice. Bodite pozorni na rezilo na ščitniku in zaščitite dlan, da se ne poškodujete.

**⚠ OPOZORILO:** Stroja nikoli ne upravljajte brez ščitnika, varno pritrjenega na mestu. Ščitnik mora biti vedno pritrjen na orodju za zaščito uporabnika! Ko je ščitnik pritrjen, ga ne poskušajte odstraniti ali prilagoditi. Če ga morate zamenjati, naj delo izvede kvalificiran serviser!

### NAMEŠČANJE OBREZOVALNIKA ROBOV NA POGONSKO ENOTO

Ta obrezovalnik je zasnovan za uporabo s 56-voltno litij-ionsko brezžično pogonsko enoto EGO PH1400E/PH1420E/PHX1600.

Glejte razdelek »NAMEŠČANJE PRIKLJUČKA NA POGONSKO ENOTO« v priročniku z navodili pogonske enote PH1400E/PH1420E/PHX1600.

## DELOVANJE

**⚠ OPOZORILO:** Četudi se dodobra seznanite s tem izdelkom, pri rokovanju z njim ne postanite neprevidni. Pomnite, da je brezskrbni delec sekunde dovolj za resno poškodbo.

**⚠ OPOZORILO:** Vedno nosite zaščito za oči, ki ima varovanje tudi s strani. Prav tako nosite zaščito za sluh. Če tega ne storite, vam lahko v oči priletijo predmeti ali pa se lahko zgodijo druge hude poškodbe.

## APLIKACIJE

Ta izdelek lahko uporabljate za naslednje namene:

- Obrezovanje okoli sprehajalnih poti, oblikovanje robov, cvetličnih gred in podobnih površin.

**OPOMBA:** izdelek se lahko uporablja samo za predpisan namen. Kakršna koli druga uporaba se smatra za nepravilno uporabo.

### Pred vsako uporabo napravo pregledajte za poškodovane/obrabljene dele

Pregledajte udarno glavo, ščitnik in sprednji ročaj za prijem ter zamenjajte dele, ki so razpokani, zvitji, upognjeni ali kakor koli poškodovani.

**⚠ OPOZORILO:** da preprečite resno telesno poškodbo, pred servisiranjem, čiščenjem, zamenjavo priključkov ali odstranjevanjem materiala iz enote odstranite baterijski sklop iz orodja.

### UPORABLJANJE OBREZOVALNIKA ROBOV S POGONSKO ENOTO

**⚠ OPOZORILO:** za upravljanje tega orodja se primerno oblecite, da zmanjšate nevarnost poškodb. Ne nosite ohlapnih oblačil ali nakita. Nosite zaščito za oči in sluh. Nosite robustne dolge hlače, škornje in rokavice. Ne nosite kratkih hlač, sandal ali bodite bosi. Na prašnih lokacijah uporabljajte masko za obraz ali protiprašno masko.

**⚠ OPOZORILO:** z delovnega območja odstranite vse ovire in trdne predmete.

Za varno in boljše upravljanje si preko rame nadenite ramenski pas. Ramenski pas nastavite v udoben položaj za upravljanje.

Obrezovalnik robov držite z desno roko na zadnjem ročaju in levo roko na sprednjem ročaju. Med upravljanjem orodje čvrsto držite z obema rokama. Obrezovalnik robov držite v udobnem položaju z zadnjim ročajem približno v višini pasu (slika B).

**⚠ OPOZORILO:** ramenski pas je tudi hiter mehanizem za sprostitve v nevarnih situacijah. V nujnih primerih ga nemudoma snemite z rame, ne glede na to, kako je pas vstavljen.

#### Obrezovalnik robov očistite po vsaki uporabi.

Navodila za čiščenje najdete v razdelku »VZDRŽEVANJE«.

#### PRILAGAJANJE GLOBINE REZANJA

1. Ustavite motor in odstranite baterijski sklop.
2. Odvijte gumb za nastavitve globine v smeri puščice za odklepanje na gumbu (slika C).
3. Vodilno kolo pomikajte po reži za nastavljanje globine, da povečate ali zmanjšate globino reza (slika D).
4. Vodilno kolo prilagodite tako, da se rezilo komaj dotakne tal ali da zareže v površino tal največ 5 mm (slika E) in nato varno pričvrstite kolo.
5. V običajnem položaju za delo znova preverite globino reza in jo po potrebi prilagodite.

#### ZAGON/ZAUSTAVITEV ORODJA

Glejte razdelek »ZAGON/ZAUSTAVITEV POGONSKE ENOTE« v priložničku z navodili pogonske enote PH1400E/PH1420E/PHX1600.

#### NASVETI ZA UPORABO

- Pogonsko enoto držite in vodite tako, da je rezilo v navpičnem položaju. S pomočjo vidne črte poravnajte rezilo z robom grede (slika G).
- Obrezovalnika ne uporabljajte pri hitrosti, višji od običajne hoje. Če se rezilo prične zapletati, obrežujete prehitro, zato upočasnite hojo.
- Pri obrezovanju vedno hodite naprej in obrezovalnik pomikajte naprej. Obrezovalnika ne vlecite proti sebi.
- Rezila ne potiskajte v tla na silo. Rahel stik rezila z robom pločnika, grede itd. je dovolj in ne bo poškodoval obrezovalnika.
- Rezultati so najboljši, če je trava suha. Izogibajte se obrezovanju, če je zemlja ali trava mokra, saj to lahko zamaši ščitnik rezila in povzroči neenakomeren rob. Če se ščitnik rezila zamaši, zaustavite motor, odstranite baterijski sklop in odstranite ostanke s ščitnika rezila.

#### VZDRŽEVANJE

**⚠ OPOZORILO:** pred pregledom, čiščenjem ali popravilom enote zaustavite motor, počakajte, da se zaustavijo vsi premikajoči se deli in odstranite baterijski sklop. Neupoštevanje teh navodil lahko povzroči hude telesne poškodbe ali materialno škodo.

**⚠ OPOZORILO:** Pri servisiranju uporabljajte le identične nadomestne dele. Uporaba drugih delov je tvegana in lahko povzroči škodo na izdelku. Za zagotovitev varnosti in zanesljivosti mora vsa popravila izvesti usposobljen serviser.

#### SPLOŠNO VZDRŽEVANJE

Pri čiščenju plastičnih delov se izogibajte uporabi topil. Večina vrst plastike se lahko pri uporabi različnih komercialnih topil poškoduje. Za odstranjevanje prahu, umazanije, olja, masti itd. uporabljajte čiste krpe.

#### ČIŠČENJE ENOTE

- Po vsaki uporabi očistite ostanke in zemljo ali travo na rezilu ter ščitniku z mehko krtačo. Površino obrezovalnika robov obrišite s čisto in vlažno krpo ter blago milnico.
- Zračne odprtine v zadnjem delu ohišja očistite z majhno krtačo ali vakuumsko čistilno krtačo.

**OPOMBA:** za čiščenje plastičnega dela ročaja ne uporabljajte močnih čistilnih sredstev. Poškodujejo ga lahko določena aromatična olja, kot sta olje bora in limone.

#### MENJAVA REZILA

**⚠ OPOZORILO:** ukrivljenega ali razpokanega rezila ne poskušajte izravnati ali zavariti, saj lahko počí. Morate ga zamenjati. Priporočamo zamenjavo samo z rezili za obrezovalnike robov EGO. Glejte razdelek »Priporočeno rezilo«.

**OPOMBA:** rezilo zamenjajte, če njegova dolžina ne zadostuje za ohranjanje potrebne razdalje do tal in za zagotavljanje potrebne globine reza.

**⚠ OPOZORILO:** med vzdrževanjem rezila obrezovalnika dlani vedno zaščitite z robustnimi rokavicami ali robove rezila ovijte s krpami ali drugim materialom.

#### Odstranjevanje rezila

1. Ustavite motor in odstranite baterijski sklop.
2. Obrezovalnik položite na hrbtno stran, da je rezilo obrnjeno navzgor.

- Uporabljajte zaščitne rokavice. S telefonskimi kleščami (niso priložene) odstranite razcepko iz motorne gredi (slika G).
- Zavrtite rezilo, da poravnate režo v prirobnici z luknjo v ohišju zobnikov (slika G).

Slika G: za opis delov glejte spodaj:

G-1	Razcepka
G-2	Notranja prirobnica
G-3	Ohišje zobnikov

- Priloženi imbus ključ vstavite v poravnani odprtini, da sta pri miru. S priloženim večnamenskim ključem odvijte matico v smeri urinega kazalca (slika H).
- Odstranite matico, zunanjo prirobnico, rezilo in notranjo prirobnico z motorne gredi (slika I). Če je kateri izmed delov obrabljen, ga zamenjajte.

Slika I: za opis delov glejte spodaj:

I-1	Motorna gred	I-5	Rezilo
I-2	Notranja prirobnica	I-6	Zunanja prirobnica
I-3	Reža v notranji prirobnici	I-7	Matica
I-4	Izboklina na notranji prirobnici	I-8	Razcepka

### Nameščanje rezila

- Notranjo prirobnico namestite na motorno gred z izboklino obrnjeno navzven (slika I).
- Novo rezilo namestite na notranjo prirobnico ter poskrbite, da je rezilo varno nameščeno v svoj položaj (slika J).
- Namestite zunanjo prirobnico in matico na gred ter z roko privijte matico v **NASPROTNI SMERI URINEGA KAZALCA**.
- Sledite zgornjemu 4. in 5. koraku v razdelku »Odstranjevanje rezila«, da stabilizirate rezilo in varno privijete matico v **NASPROTNI SMERI URINEGA KAZALCA**.
- Novo priloženo razcepko vstavite v luknjo na motorni gredi. Ukrivite obe nogi razcepke v nasprotnih smereh s telefonskimi kleščami (niso priložene) (slika G).

### ZAMENJAVA VODILNEGA KOLESA

- Ustavite motor in odstranite baterijski sklop.
- Obrezovalnik položite na hrbtno stran, da je vodilno kolo obrnjeno navzgor.
- Odvijte gumb za nastavev globine v smeri puščice za odklepanje na gumbu in ga odstranite.

- Odstranite vzmetno podložko, navadno podložko 1, vodilno kolo, pušo in navadno podložko 2 z vijaka (slika K). Če je kateri izmed delov obrabljen, ga zamenjajte.
- Skozi režo za nastavljanje globine najprej potisnite vijak in nato navadno podložko 2, pušo in novo kolo. Nato na vijak namestite navadno podložko 1, vzmetno podložko in gumb za nastavev globine v zaporedju, prikazanem na sliki K.

Slika K: za opis delov glejte spodaj:

K-1	Gumb za nastavljanje globine	K-5	Puša
K-2	Vzmetna podložka	K-6	Navadna podložka 2
K-3	Navadna podložka 1	K-7	Vijak
K-4	Vodilno kolo	K-8	Reža za nastavljanje globine

**OPOMBA:** vodilno kolo mora biti nameščeno tako, da so ploska rebra obrnjena navznoter (slika L).

Slika L: za opis delov glejte spodaj:

L-1	Vijaka	L-3	Zaščitna zavesica
L-2	Plosko rebro	L-4	Pritrdilna plošča

- Privijte gumb za nastavev globine.

### ZAMENJAVA ZAŠČITNE ZAVESICE (slika L)

- Ustavite motor in odstranite baterijski sklop.
- S priloženim imbus ključem odvijte oba vijaka.
- Odstranite vijaka, pritrdilno ploščo in obrabljeno zaščitno zavesico.
- Zavesico zamenjajte z novo in jo pričvrstite s pritrdilno ploščo in dvema vijakoma.

### PREVERJANJE IN ZAMENJAVA ZAŠČITNEGA VAROVALA PROTI OBRABI/VODILNE PLOŠČE (slika M)

Pred zagonom električnega orodja preverite zaščitno varovalo proti obrabi in vodilno ploščo zaradi poškodb. Zaščitno varovalo proti obrabi morate zamenjati takoj, ko ohišje zobnikov postane vidno.

**OPOMBA:** če ne zamenjate zaščitnega varovala proti obrabi takoj, ko ohišje zobnikov postane vidno, lahko pride do hudih poškodb ohišja.

1. Ustavite motor in odstranite baterijski sklop.
2. Uporabljajte zaščitne rokavice. Po potrebi zavrtite rezilo, da se prikažeta vijaka.
3. S priloženim imbus ključem odvijte oba vijaka in ju odstranite.

**OPOMBA:** če je potrebna samo zamenjava vodilne plošče, odvijte in odstranite le vijak 1.

4. Zamenjajte poškodovano ali obrabljeno zaščitno varovalo proti obrabi/vodilno ploščo.
5. Novo zaščitno varovalo proti obrabi in vodilno ploščo namestite na ohišje in ju pričvrstite z dvema vijakoma.

Slika M: za opis delov glejte spodaj:

M-1	Vijak 1	M-4	Zaščitno varovalo proti obrabi
M-2	Vodilna plošča	M-5	Namestitveni odprtini
M-3	Vijak 2	M-6	Ohišje zobnikov

### ODSTRANJEVANJE VODILNE PLOŠČE

Če imate izkušnje s tem tipom obrezovalnika ali če mislite, da vodilna plošča ovira obrezovanje robov, jo lahko odstranite.

1. Odvijte in odstranite vijak 1.
2. Odstranite vodilno ploščo.
3. Znova namestite in privijte vijak 1.

### MAZANJE ZOBNIKOV

Zobnike v ohišju je potrebno redno mazati z mazivom za zobnike. Raven maziva preverite približno vsakih 50 ur delovanja, tako da odstranite tesnilni vijak pri strani ohišja.

Če pri strani zobnikov ne vidite maziva, sledite spodnjim korakom in ohišje napolnite z mazivom do 3/4 prostornine.

Ohišja z zobniki ne napolnite povsem.

1. Obrezovalnik robov postavite pokonci, da je tesnilni vijak obrnjen navzgor (slika N).
2. S priloženim večnamenskim ključem odvijte vijak in ga odstranite. Z brizgalko (ni priložena) vbrizgajte nekaj maziva v luknjo vijaka. Ne napolnite več kot 3/4 prostornine ohišja.
3. Privijte tesnilni vijak.

### Shranjevanje enote

- Iz obrezovalnika robov odstranite baterijski sklop.
- Orodje pred shranjevanjem temeljito očistite.
- Če obrezovalnik ni nameščen na pogonsko enoto in je shranjen ločeno, namestite pokrovček na gred priključka, da umazanija ne pride v spojnik.
- Shranite ga v suhem in dobro zračenem prostoru, ki se zaklepa ali je dvignjen, da ne bo na dosegu otrok. Enote ne shranjujte na ali v bližino gnojil, bencina ali drugih kemikalij.

### Varovanje okolja



Električne opreme, rabljene baterije in polnilnika ne odvrzite med gospodinjne odpadke. Izdelek odnesite v pooblaščen obrat za recikliranje in ga zavrzite ločeno. Električne stroje je treba odnesti na obrat za recikliranje in jih reciklirati na okolju prijazen način.

SL

## ODPRAVLJANJE TEŽAV

TEŽAVA	VZROK	REŠITEV
Motor se ne zažene.	<ul style="list-style-type: none"> <li>■ Baterijski sklop ni nameščen na pogonsko enoto.</li> <li>■ Med pogonsko enoto in baterijskim sklopom ni električnega stika.</li> <li>■ Baterijski sklop je izprazen.</li> <li>■ Button za odklepanje in sprožilec nista bila pritisnjena hkrati.</li> </ul>	<ul style="list-style-type: none"> <li>■ Baterijski sklop namestite na pogonsko enoto.</li> <li>■ Odstranite baterijo, preverite kontakte in ponovno namestite baterijski sklop, tako da se zaskoči.</li> <li>■ Baterijske sklope polnite s polnilniki EGO, ki so navedeni v tem priročniku.</li> <li>■ Button za odklepanje pritisnite navzdol in ga pridržite, nato pritisnite sprožilec, da vključite kosilnico z nitko.</li> </ul>
Pogonska enota se zaustavi med delovanjem.	<ul style="list-style-type: none"> <li>■ Motor je preobremenjen.</li> <li>■ Baterijski sklop ali pogonska enota je prevroča.</li> <li>■ Baterijski sklop je odklopljen iz orodja.</li> <li>■ Baterijski sklop je izprazen.</li> </ul>	<ul style="list-style-type: none"> <li>■ Motor bo zopet deloval, ko boste odstranili obremenitev. Za neprekinjeno delovanje zmanjšajte obremenitev pogonske enote.</li> <li>■ Počakajte, da se baterijski sklop ali pogonska enota ohladi do temperature pod 67°C.</li> <li>■ Ponovno namestite baterijski sklop.</li> <li>■ Baterijske sklope polnite s polnilniki EGO, ki so navedeni v tem priročniku.</li> </ul>
Neenakomeren rob	<ul style="list-style-type: none"> <li>■ Trava ali tla, ki jih obrezujete, so prevlažna.</li> <li>■ Ščitnik rezila je zamašen.</li> </ul>	<ul style="list-style-type: none"> <li>■ Izogibajte se obrezovanju, če je zemlja ali trava mokra.</li> <li>■ Zaustavite motor, odstranite baterijski sklop in odstranite ostanke s ščitnika rezila.</li> </ul>

SL

## GARANCIJA

### GARANCIJSKA POLITIKA DRUŽBE EGO

Za popolne pogoje garancijske politike družbe EGO obiščite spletno stran [egopowerplus.eu](http://egopowerplus.eu).



## PERSKAITYKITE VISĄ INSTRUKCIJĄ!



**PERSKAITYKITE NAUDOJIMO INSTRUKCIJĄ**

**⚠️ ĮSPĖJIMAS:** Norint užtikrinti saugų ir patikimą gaminio naudojimą, visus remonto ir keitimo darbus turi atlikti kvalifikuotas techninės priežiūros specialistas.

## SAUGOS SIMBOLIAI

Šių simbolių paskirtis – atkreipti dėmesį į galimus pavojus. Gerai susipažinkite su saugos simboliais bei jų paaiškinimais ir juos įsidėmėkite. Simbolių įspėjimai patys savaime negali apsaugoti nuo pavojų. Jais žymimi nurodymai ir įspėjimai neatstoja tinkamų nelaimingų atsitikimų prevencijos priemonių.

**⚠️ ĮSPĖJIMAS:** Prieš pradėdami naudoti šį gaminį perskaitykite visus šioje naudojimo instrukcijoje pateiktus saugos nurodymus, taip pat susipažinkite su visais saugos įspėjamaisiais simboliais, tokiais kaip „**PAVOJUS**“, „**ĮSPĖJIMAS**“, ir „**PERSPĖJIMAS**“, ir įsitikinkite, kad juos supratote. Nesilaikant visų toliau išdėstytų nurodymų galima patirti elektros smūgį, sukelti gaisrą ir (arba) sunkiai susižeisti.

## SIMBOLIO REIKŠMĖ

**⚠️ SAUGOS ĮSPĖJAMASIS SIMBOLIS:** nurodo **PAVOJŲ**, **ĮSPĖJIMĄ**, arba **PERSPĖJIMĄ**. Gali būti panaudotas su kitais simboliais arba piktogramomis.







**⚠️ ĮSPĖJIMAS:** Naudojant bet kokius elektros prietaisus gali būti išsviesti ir pataikyti į akis pašaliniai objektai, galintys sunkiai sužeisti akis. Prieš pradėdami naudoti elektros prietaisą, visada užsidėkite apsauginius akinius arba apsauginius akinius su šonine apsauga ir, kai reikia, visą veidą dengiantį skydelį. Rekomenduojame naudoti platų matymo lauką užtikrinančią apsauginę kaukę ant akinių arba standartinius apsauginius akinius su šonine apsauga.

## SAUGOS NURODYMAI

Šiame puslapyje pavaizduoti ir aprašyti saugos simboliai, kurių gali būti ant šio gaminio. Prieš pradėdami surinkti ir naudoti prietaisą, perskaitykite visus ant jo pateiktus nurodymus, įsitikinkite, kad juos supratote, ir jais vadovaukitės.

	Saugos įspėjimas	Nurodo galimą sužalojimo pavojų.
	Perskaitykite naudojimo instrukciją	Kad sumažintų pavojų susižaloti, naudotojas turi perskaityti naudojimo instrukciją ir įsitikinti, kad ją suprato.
	Naudokite akių ir ausų apsaugas	Naudodami šį gaminį visada užsidėkite apsauginius akinius arba apsauginius akinius su šonine apsauga ir visą veidą dengiantį skydelį.
	Pakraščių pjovimo įrenginio peilio ilgis	Pakraščių pjovimo įrenginio peilio ilgis
	Neleiskite prisirišinti pašaliniais asmenims	Visi pašaliniai asmenys nuo įrenginio turi būti atitraukę ne mažesniu kaip 15 m atstumu
	Kraščių pjoviklio peilio sukimo kryptis	Nurodo kraštų pjoviklio peilio sukimosi kryptį.
	Pašaliniai daiktai	Atidžiai apžiūrėkite paviršius, kurį ketinate apdoroti įrenginiu, ir pašalinkite visus akmenis, pagaliukus, vielas, kaulus ir kitus pašalinius daiktus.
	Avėkite apsauginę avalynę	Dirbdami šia įranga avėkite neslidžią apsauginę avalynę.
	Besisukantis peilis	Nedėkite rankų ir kojų arti besisukančių dalių arba po jomis.
	Laikykitės pakankamu atstumu nuo elektros linijų	Kad negautumėte elektros smūgio, nedirbkite arčiau nei 15 m nuo elektros oro linijų. Palietę elektros liniją arba dirbdami šalia jos galite gauti elektros smūgį ir susižeisti arba žūti.
	CE	Šis gaminys atitinka taikomas EB direktyvas.

LT

	UKCA	Šis gaminys atitinka jam taikomus JK reglamentus.
	WEEE	Elektros prietaisų atliekas draudžiama utilizuoti kartu su buitinėmis atliekomis. Perduoti įgaliotam perdirbėjui.
	Triukšmas	Garantuojamas garso galios lygis. Triukšmo sklaida į aplinką atitinka Europos Bendrijos direktyvą.
V	Voltas	Įtampa
mm	Milimetras	Ilgis arba dydis
cm	Centimetras	Ilgis arba dydis
kg	Kilogramas	Svoris
	Nuolatinė elektros srovė	Srovės tipas arba charakteristika

## BENDRIEJI ĮRENGINIO SAUGOS ĮSPĖJIMAI

**⚠ ĮSPĖJIMAS:** Perskaitykite ir peržiūrėkite visus su šiuo įrenginiu pateiktus saugos nurodymus, instrukcijas, paveikslėlius ir specifikacijas. Nesilaikant visų toliau išdėstytų nurodymų galima patirti elektros smūgį, sukelti gaisrą ir (ar) sunkiai susižaloti.

**Išsaugokite visas instrukcijas su įspėjimais, nes jų gali prireikti ateityje.**

įspėjimuose vartojamu terminu „įrenginys“ vadinamas iš elektros lizdo maitinamas (laidinis) arba akumulatorinis įrenginys.

## SAUGA DARBO ZONOJE

- Darbo vieta turi būti švari ir gerai apšviesta. Jei darbo vieta netvarkinga ar blogai apšviesta, gali įvykti nelaimingas atsitikimas.
- Nedirbkite su įrenginiu sprogoje aplinkoje, pvz., ten, kur yra degiųjų skysčių, dujų arba dulkių. Įrenginys kibirkščiuoja, o kibirkštys gali uždegti dulkes arba garus.
- Dirbdami su elektriniu įrenginiu, neleiskite artintis vaikams ir pašaliniams asmenims. Dėl dėmesio blaškymo galite nesuvaldyti įrenginio.

## ELEKTROS SAUGA

- Elektrinio įrenginio kištukas turi tikti elektros lizdui. Niekada jokiais būdais kištuko neperdarykite. Su

įžemintais elektriniais įrenginiais nenaudokite jokių kištuko adapterių. Originalūs kištukai, tiksliai tinkantys elektros tinklo lizdui, sumažina elektros smūgio pavojų.

- Nesilieskite prie įžemintų paviršių, pavyzdžiui, vamzdžių, radiatorių, viryklių ir šaldytuvų. Jei jūsų kūnas bus įžemintas, padidės elektros smūgio pavojus.
- Nenaudokite įrenginio lyjant ar drėgmės sąlygomis. Į įrenginį patekęs vanduo gali padidinti elektros smūgio arba gedimo pavojų, dėl kurio galite susižaloti.
- Atsargiai elkitės su maitinimo laidu. Niekada nenaudokite laido nešimui, traukimui arba įkroviklio atjungimui nuo maitinimo tinklo. Saugokite laidą nuo kaitros šaltinių, alyvos, aštrių briaunų ir judančių dalių. Pažeidus arba supainiojus laidus išauga pavojus patirti elektros smūgį.
- Kai su elektriniu įrenginiu dirbate lauke, naudokite laukui skirtą laido ilgintuvą. Naudojant laukui skirtą maitinimo laidą, sumažėja pavojus patirti elektros smūgį.
- Jei nėra galimybės išvengti elektrinio įrenginio naudojimo drėgnoje vietoje, naudokite maitinimo šaltinį, apsaugotą nuotėkio rele. Nuotėkio relė sumažina pavojų patirti elektros smūgį.

## ASMENINĖ SAUGA

- Naudodami įrenginį būkite budrus, stebėkite, ką darote, ir vadovaukitės sveika nuovoka. Nedirbkite su įrenginiu, jei esate pavargę arba vartojote narkotikus, alkoholį ar medikamentus. Neatidumo akimirka dirbant su įrenginiais gali lemti sunkią traumą.
- Naudokite asmeninės apsaugos priemones. Visada būkite su apsauginiais akiniais. Atitinkamomis sąlygomis naudojamos apsaugos priemonės, pvz., respiratoriai, neslidūs apsauginiai batai, šalmas arba ausinės, sumažina pavojų susižaloti.
- Apsisaugokite nuo atsitiktinio įjungimo. Prieš jungdami įrenginį prie maitinimo šaltinio ir (ar) sudėtinės baterijos, prieš įrenginį keldami arba nešdami įsitikinkite, kad jungiklis yra išjungimo padėtyje. Nešant elektrinius įrenginius uždėjus pirštą ant jungiklio arba netyčia įjungiant įrenginį su įjungtu jungikliu, gali įvykti nelaimingas atsitikimas.
- Prieš jungdami įrenginį patraukite į šalį visus reguliavimo raktus ir veržliarakčius. Įrenginio sukamojoje dalyje likus raktui ar veržliarakčiui galima susižaloti.
- Nesistenkite pasiekti pernelyg toli. Visada stovėkite tvirtai ir išlaikykite pusiausvyrą. Taip geriau suvaldysite įrenginį netikėtose situacijose.
- Dėvėkite tinkamus drabužius. Nedėvėkite laisvų drabužių ir nenešiotkite laisvai bakančių papuošalų. Saugokite savo plaukus ir drabužius nuo judančių

dalių. Laisvus drabužius, papuošalus ar ilgus plaukus gali įtraukti judančios dalys.

- Jei yra įtaisai, skirti dulkių išsiurbimo ir surinkimo įtaisams prijungti, tinkamai juos prijunkite ir naudokite. Naudojant dulkių surinkimo įrenginius, gali sumažėti su dulkelėmis susijusių pavojų.
- Net ir dažnai naudodami įrenginius, pernelyg savimi nepasitikėkite ir nepraraskite budrumo, laikykitės saugaus įrenginio naudojimo taisyklių. Užtenka akimirksmo išsiblaškyimo, kad dėl neatsargaus veiksmo sunkiai susižalotumėte.

#### ĮRENGINIO NAUDOJIMAS IR PRIEŽIŪRA

- Įrenginio pernelyg nespauskite. Naudokite jūsų darbui tinkamą įrenginį. Veikdamas numatytuju greičiu, tinkamas įrenginys darba atlieka veiksmingiau ir saugiau.
- Nenaudokite įrenginio, jeigu jo negalima įjungti ar išjungti jungikliu. Įrenginys, kurio jungiklis neveikia, yra pavojingas ir jį būtina sutaisyti.
- Prieš reguliuodami įrenginį, keisdami jo priedus arba padėdami jį į laikymo vietą, atjunkite kištuką nuo maitinimo šaltinio ir (ar) išimkite sudėtinę bateriją. Tokia saugumo priemonė apsaugos jus nuo netyčinio įrenginio įjungimo.
- Nenaudojamą įrenginį laikykite vaikams neprieinamoje vietoje ir neleiskite įrenginio naudoti asmenims, kurie nėra susipažinę su jo naudojimu ar šiomis instrukcijomis. Neapmokytų žmonių naudojami įrenginiai kelia pavojų.
- Vykdykite įrenginio ir priedų techninę priežiūrą. Patikrinkite, ar judančios dalys suderintos ir nestringa, ar nėra lūžusių dalių, ar nėra kitų sąlygų, galinčių turėti įtakos įrenginio veikimui. Jei įrenginys pažeistas, prieš naudodami jį sutaisykite. Dauguma nelaimingų atsitikimų įvyksta dėl prastai prižiūrimų įrenginių.
- Pjovimo įrenginiai turi būti aštrūs ir švarūs. Tinkamai prižiūrimi pjovimo įrenginiai su aštriais peiliais rečiau stringa ir lengviau valdomi.
- Įrenginį, priedus, antgalius ir kitas dalis naudokite pagal šią instrukciją, atsižvelgdami į darbo sąlygas ir atliekamą darbą. Naudojant įrenginį ne pagal paskirtį gali susidaryti pavojingos aplinkybės.
- Rankenos ir sugriebimo paviršiai turi būti sausi, švarūs ir neištepti alyva ar tepalu. Dėl slidžių rankenų ir laikymo paviršių įrenginį sunku saugiai valdyti ir jis gali išsprūsti netikėtomis aplinkybėmis.

#### AKUMULIATORINIO ĮRENGINIO NAUDOJIMAS IR PRIEŽIŪRA

- Kraukite naudodami tik gamintojo nurodytą įkroviklį. Įkroviklis, tinkamas vieno tipo sudėtinei baterijai, gali kelti gaisro pavojų, jei naudojamas su kito tipo sudėtine baterija.
- Įrenginius naudokite tik su jiems skirtomis sudėtinėmis baterijomis. Naudojant kitokias sudėtines baterijas gali kilti sužalojimų ir gaisro pavojus.
- Nenaudojama sudėtinė baterija turi būti laikoma atokiau nuo metalinių daiktų, tokių kaip sąvaržėlės, monetos, raktai, vinys, varžtai ar kiti smulkūs metaliniai daiktai, galintys sujungti abu baterijos gnybtus. Įvykus trumpajam jungimui tarp baterijos gnybtų galima nusideginti ar gali kilti gaisras.
- Dėl netinkamų sąlygų iš baterijos gali ištėkėti skystis – nelieskite jo. Skysčiai atsitiktinai patekus ant odos, nedelsiant nuplaukite vandeniu. Jeigu skysčio pateko į akis, kreipkitės ir į gydytojus. Iš baterijos ištėkęs skystis gali dirginti arba nudeginti.
- Nenaudokite pažeistos ar modifikuotos baterijos ar įrenginio. Pažeistos ar modifikuotos baterijos gali kelti gaisro, sprogdimo ar sužalojimo pavojų.
- Sudėtinės baterijos ar įrenginio negalima deginti ar kaitinti. Bateriją deginant ar įkaitinus virš 130 °C ji gali sprogti.
- Laikykitės įrenginio ar sudėtinės baterijos įkrovimo instrukcijų ir juos kraukite nurodytame temperatūrų diapazone. Priešingu atveju galite sugadinti bateriją ar net sukelti gaisrą.

#### SVARBŪS SAUGOS NURODYMAI

**⚠ ĮSPĖJIMAS:** Naudodami akumuliatorines žoliapjoves, visada imkitės svarbiausių atsargumo priemonių, kad sumažintumėte gaisro, elektros smūgio ir susižalojimo pavojų, įskaitant:

LT

#### ATIDŽIAI PERSKAITYKITE PRIEŠ NAUDODAMI

#### PASIDĖKITE, KAD PRIREIKUS GALĖTUMĖTE PASIŽIURĖTI

**⚠ PAVOJUS.** Nepasikliaukite įrenginio izoliacija nuo elektros smūgio. Norėdami sumažinti elektros smūgio riziką, niekada neekspluatuokite įrenginio netoli bet kokių laidų arba kabelių (elektros ir pan.), kuriais gali tekėti elektros srovė.

**⚠ PERSPĖJIMAS:** Eksploatacijos metu dėvėkite tinkamas asmenines klausos apsaugos priemones. Tam tikromis sąlygomis ir dėl naudojimo trukmės šio gaminio keliamas triukšmas gali prisidėti prie klausos netekimo.

## Mokymas

- Atidžiai perskaitykite instrukciją. Susipažinkite su valdikliais ir nurodymais, kaip tinkamai naudoti įrenginį.
- Įrenginio niekada neleiskite naudoti vaikams arba žmonėms, nesusipažinusiems su šia instrukcija. Vietiniai teisės aktai gali riboti operatoriaus amžių.
- Niekada nepjunkite, kai netoliese yra žmonių, ypač vaikų, arba augintinių.
- Turėkite omenyje, kad operatorius arba naudotojas atsako už nelaimingus atsitikimus ir pavojus, keliamus kitiems žmonėms ir jų nuosavybei.

## Pasiruošimas

- Pjaudami kraštus naudokite akių ir ausų apsaugas, avėkite tinkamą avalynę ir mūvėkite ilgus kelnes.
- Atidžiai apžiūrėkite paviršių, kurį ketinate apdoroti įrenginiu, ir pašalinkite visus akmenis, pagaliukus, vielas, kaulus ir kitus pašalinius daiktus.
- Prieš naudodami visada patikrinkite, ar peiliai, jų varžtas ir pjoviklio mazgas nėra susidėvėję arba pažeisti. Susidėvėjusius arba pažeistus peilius ir varžtus keiskite kaip rinkinį, kad išsaugotumėte balansą.

## Naudojimas

- Pjaustykite tik dieną arba esant tinkamam dirbtiniam apšvietimui.
- Nuožulniose vietose visada atsistokite tvirtai.
- Eikite, niekada nebėkite.
- Būkite itin atsargūs, kai einate atbulomis arba traukiate pjoviklį savęs link.
- Prieš pereinami prie kito paviršiaus ir perkeldami pjoviklį iš vienos vietos į kitą įsitikinkite, kad peilis nustojo sukstis.
- Niekada nenaudokite pjoviklio su pažeistomis, netinkamai pritvirtintomis apsaugomis arba be jų.
- Nekeiskite variklio sūkių regulatoriaus nuostatų ir nenaudokite didesniu nei nurodytas greičiu.
- Variklio jungiklį įjunkite laikydamiesi nurodymų ir patraukę kojas nuo peilio (-ių).
- Įjungdami pakraščių pjovimo įrenginio variklį jo nepakreipkite, nebent to reikia įrenginio paleidimui. Tokiu atveju pakreipkite tik tiek, kiek būtina, ir pakelkite tik tą dalį, kuri yra toliau nuo operatoriaus.
- Neįjunkite variklį, kai priešais peilį (-ius) stovi pašalinis asmuo.
- Nedėkite rankų ir kojų arti besisukančių dalių arba po jomis.
- Visada išjunkite variklį ir išimkite akumuliatorių.

- 1) prieš valydami aplinką;
- 2) prieš tikrindami, valydami peilį (-ius) arba dirbdami prie jo (jų);
- 3) kliudę pašalinį daiktą: patikrinkite peilį (-ius) dėl pažeidimų ir prieš iš naujo užkurdami ir naudodami pjoviklį ištaisykite trūkumus;
- 4) jei kraštų pjoviklis pradeda neįprastai vibruoti (nedelsdami patikrinkite).

- Palikdami pjoviklį visada užgesinkite variklį.
- Nekraukite sudėtinės baterijos lietuje arba esant drėgnoms sąlygoms.
- Naudokite tik su A paveiksle nurodytoms sudėtinėms baterijoms ir įkrovikliams.
- Prieš atiduodant įrenginį į metalo laužą, būtina išimti akumuliatorių.
- Akumuliatorių reikia išmesti saugiai.
- Nemeskite baterijos į ugnį. Elementai gali sprogti. Susipažinkite su vietoje galiojančiais teisės aktais, kuriuose gali būti pateikti specialūs šalinimo nurodymai.
- Draudžiama atidaryti arba gadinti bateriją. Išbėgęs elektrolitas sukelia koroziją ir gali pakenkti akims ar odai. Jis gali būti toksiškas prarijus.
- Siekdami išvengti trumpojo jungimo atsgariai elkitės su žoliapjovės baterijomis: venkite tokių laidininkų, kaip žiedai, apyrankės ir raktai. Baterija arba laidininkas gali įkaisti ir sukelti nudegimus.
- Baterijų nereikia įjungti į elektros lizdą; jos visada yra darbinės būsenos. Net įrenginiui neveikiant neužmirškite apie jo keliamus pavojus. Atlikdami remonto arba techninės priežiūros darbus, būkite atidūs.
- Neplaukite žoliapjovės su vandens žarna. Saugokite, kad vandens nepatektų ant variklio ir elektros jungčių.

## Techninė priežiūra ir laikymas

- Priveržkite visas varžles, varžtus ir sraigtus, kad įrenginį būtų saugu naudoti.
- Pakeiskite susidėvėjusius arba pažeistus dalis.
- Nebandykite savarankiškai remontuoti įrenginio neturėdami atitinkamos kvalifikacijos.
- Naudokite tik gamintojo rekomenduojamas atsarginės dalis ir priedus.
- Prieš atlikdami techninės priežiūros ar valymo darbus išimkite iš įrenginio akumuliatorių.
- Įrenginį reguliariai apžiūrėkite ir tvarkykite. Įrenginio remontą patikėkite tik įgaliotam remontininkui.
- Kai nenaudojamas, laikykite įrenginį vaikams nepasiekiamoje vietoje.

- Susidarius šioje instrukcijoje neaprašytai situacijai, būkite atsargūs ir vadovaukitės sveika nuovoka. Pagalbos kreipkitės į EGO techninės priežiūros centrą.
- Išsaugokite šias instrukcijas. Dažnai jas pavartykite ir naudokitės jomis mokydami kitus asmenis, kurie gali naudoti šį įrankį. Skolindami įrankį kam nors kitam, paskolinkite ir instrukcijas, kad būtų išvengta netinkamo gaminio naudojimo arba sužalojimo.

### IŠSAUGOKITE ŠIAS INSTRUKCIJAS!

### PASTABA. PAPILDOMAS SAUGOS TAISYKLES ŽR. ELEKTRINĖS GALVUTĖS NAUDOJIMO INSTRUKCIJOJE

### TECHINIAI DUOMENYS

Peilio ilgis	20 cm
Pjovimo gylis	Iki 75 mm
Svoris	2,26 kg
Darbinė temperatūra	Nuo - 15°C iki 40°C
Laikymo temperatūra	Nuo - 20°C iki 70°C
Išmatuotas garso galios lygis $L_{WA}$	92,4 dB(A) K=2,07 dB(A) (PH1400E)
	90,7 dB(A) K=1,46 dB(A) (PH1420E)
	90 dB(A) K=1,3 dB(A) (PHX1600)
Garso slėgio lygis ties operatoriaus ausimi $L_{PA}$	79,8 dB(A) K=3 dB(A) (PH1400E)
	81,2 dB(A) K=3 dB(A) (PH1420E)
	84 dB(A) K=3 dB(A) (PHX1600)
Garantuojamas garso galios lygis $L_{WA}$ (išmatuotas pagal 2000/14/EB)	95 dB(A)

Vibracija $a_h$	Prieikinė pagalbinė rankena	1,2 m/s <sup>2</sup> K=1,5 m/s <sup>2</sup> (PH1400E)
		1,95 m/s <sup>2</sup> K=1,5 m/s <sup>2</sup> (PH1420E)
		1,6 m/s <sup>2</sup> K=1,5 m/s <sup>2</sup> (PHX1600)
	Galinė rankena	2,2 m/s <sup>2</sup> K=1,5 m/s <sup>2</sup> (PH1400E)
		1,66 m/s <sup>2</sup> K=1,5 m/s <sup>2</sup> (PH1420E)
		1,53 m/s <sup>2</sup> K=1,5 m/s <sup>2</sup> (PHX1600)

- Pirmiau nurodyti parametrai išbandyti ir išmatuoti naudojant elektrinę galvutę PH1400E/PH1420E/PHX1600;
- Nurodyta bendroji vibracijos vertė išmatuota taikant standartinį bandymo metodą, todėl pagal ją galima palyginti skirtingus įrenginius.
- Nurodytą bendrąją vibracijos vertę taip pat galima naudoti pirminiam poveikio vertinimui.

**PASTABA:** Naudojant įrenginį realiomis sąlygomis, sklaidžiamos vibracijos stiprumo vertė gali skirtis nuo nurodytos. Kad apsaugotų dirbdamas realiomis sąlygomis, naudotojas turi mūvėti pirštines ir naudoti ausų apsaugos priemonės.

LT

### PAKUOTĖS TURINIO SĄRAŠAS

DALIES PAVADINIMAS	SKAIČIUS
Kraščių pjoviklio įtaisas	1
Šešiabriaunis raktas	1
Daugiafunkcis raktas	1
Vielokaištis	2
Naudojimo instrukcija	1

### Rekomenduojamas peilis

DALIES PAVADINIMAS	MODELIO NUMERIS
Kraščių pjoviklio peilis	AEB0800

## APRAŠAS

### SUŽINOKITE, KAIP VEIKIA KRAŠTŲ PJOVIKLIO ĮTAISAS (A pav.)

1. Kamštelis
2. Kraštų pjoviklio velenas
3. Peilio apsauga
4. Peilis
5. Gylio reguliavimo rankenėlė
6. Kreipiamasis ratas
7. Šėšabriaunis raktas
8. Daugiafunkcis raktas
9. Gylio reguliavimo kreipiamoji juosta
10. Atliekų sklendė
11. Vielokaištis
12. Kreipiamosios plokštelės fiksavimo varžtas
13. Kreipiamoji plokštelė

## SURINKIMAS

**⚠ ĮSPĖJIMAS:** jeigu bet kuri dalis yra sugadinta arba jos trūksta, nenaudokite šio įrenginio, kol ji nebus pakeista. Jeigu įrenginys naudojamas, kai dalys yra sugadintos arba jų trūksta, galima sunkiai susižaloti.

**⚠ ĮSPĖJIMAS:** nebandykite keisti šio įrenginio arba kurti priedus, kurių nerekomenduojama naudoti su šia žoliapjove. Bet koks pakeitimas arba modifikavimas yra laikomas netinkamu naudojimu, dėl kurio gali susidaryti pavojingos sąlygos, kurių metu galite sunkiai susižaloti.

**⚠ ĮSPĖJIMAS:** Kad išvengtumėte atsitiktinio įrenginio paleidimo ir galimo sunkaus sužalojimo, surinkdami įrenginio dalis visada iš jo išimkite sudėtinę bateriją.

**⚠ ĮSPĖJIMAS:** Tvirtindami arba keisdami apsaugą būtinai mūvėkite pirštines. Saugokitės prie apsaugos pritvirtinto peilio ir saugokite rankas nuo įpjovimo.

**⚠ ĮSPĖJIMAS:** Niekada nenaudokite įrenginio be savo vietoje pritvirtintos apsaugos. Apsauga visada turi būti ant įrenginio, kad apsaugotų naudotoją! Po to, kai apsauga pritvirtinama, niekada nebandykite jos nuimti ar reguliuoti. Jeigu apsaugą reikia pakeisti, tai turi atlikti kvalifikuotas techninės priežiūros specialistas!

### KRAŠTŲ PJOVIKLIO ĮTAISO PRIJUNGIMAS PRIE ELEKTRINĖS GALVUTĖS

Šis kraštų pjoviklio įtaisas skirtas naudoti su EGO gamybos 56 V ličio jonų elektrine galvute PH1400E/PH1420E/PHX1600.

Žr. elektrinės galvutės PH1400E/PH1420E/PHX1600 naudojimo instrukcijos skyrių ĮTAISO MONTAVIMAS ANT ELEKTRINĖS GALVUTĖS.

## NAUDOJIMAS

**⚠ ĮSPĖJIMAS:** mokėjimas naudotis įrenginiu nesuteikia teisės dirbti nerūpestingai. Atsiminkite, kad trumpam atitraukę dėmesį galite sunkiai susižaloti.

**⚠ ĮSPĖJIMAS:** visada dėvėkite apsauginius akinius su šoniniais skydeliais. Taip pat dėvėkite ausų apsaugą. Nesilaikant šio nurodymo, objektai gali būti sviedžiami jums į akis arba galite būti kitaip sunkiai sužaloti.

## NAUDOJIMAS

Gaminį galima naudoti šiam tikslui:

- Kraštams aplink pėsčiųjų takus, šaligatvio kraštus, gėlynus ir kitas panašias vietas pjauti.

**PASTABA.** Įrankį reikia naudoti tik pagal nurodytą paskirtį. Naudojimas bet koku kitu tikslu laikomas netinkamu naudojimu.

### Prieš kiekvieną naudojimą patikrinkite, ar nėra sugadintų arba susidėvėjusių dalių

Apžiūrėkite pjovimo galvutę, apsaugos priemonę ir priekinę pagalbinę rankeną. Pakeiskite sutrūkinėjusias, pakeitusias formą, sulinkusias arba bet kaip kitaip pažeistas dalis.

**⚠ ĮSPĖJIMAS.** Kad išvengtumėte sunkių traumų, prieš atlikdami techninę priežiūrą, valydami įrankį, keisdami priedus arba valydami žolės likučius iš įrenginio išimkite akumuliatorių.

### KRAŠTŲ PJOVIKLIO NAUDOJIMAS SU ELEKTRINE GALVUTE

**⚠ ĮSPĖJIMAS.** Siekdami sumažinti susižalojimo riziką, įrankį naudokite tinkamai apsirėngę. Nedėvėkite laisvų drabužių ir nenešiotkite laisvai kabančių papuošalų. Naudokite akių ir ausų apsaugas. Mūvėkite tvirtos medžiagos ilgas kelnes ir pirštines, avėkite tinkamus batus. Nedirbkite su trumpomis kelnėmis, su sandalais ar basomis. Dirbdami dulkejoje aplinkoje, užsidėkite visą veidą dengiančią kaukę arba respiratorių.

**⚠️ ĮSPĖJIMAS.** Išvalykite iš darbo vietos visas kliūtis ir kietus objektus.

Kad darbas būtų saugesnis ir efektyvesnis, užsidėkite diržą per petį. Pakoreguokite diržą per petį, kad jis atsidurtų patogioje darbinėje padėtyje.

Kraštų pjoviklį visada laikykite dešinę ranką uždėję ant galinės rankenos, o kairę – ant priekinės pagalbinės rankenos. Dirbdami su įrankiu laikykite jį tvirtai abiem rankomis. Kraštų pjoviklis turi būti laikomas patogioje padėtyje, galinė rankena turi būti klubų aukštyje (B pav.).

**⚠️ ĮSPĖJIMAS.** Diržas per petį yra greitai atkabinas mechanizmas pavojingoje situacijoje. Kritinėje situacijoje nedelsiant nusiimkite diržą nuo peties, nesvarbu, koku būdu.

**Po kiekvieno naudojimo išvalykite pjoviklį.**

Valymo instrukcijas žr. skyriuje TECHNINĖ PRIEŽIŪRA.

### PJOVIMO GYLIO REGULIAVIMAS

1. Išjunkite pjoviklį ir ištraukite akumuliatorių.
2. Atsukite gylio reguliavimo rankenėlę priešinga ant rankenėlės pavaizduotai rodyklei kryptimi (C pav.)
3. Stumtelėkite kreipiamąjį ratą palei gylio reguliavimo kreipiamąją juostą į viršų (padidinsite gylį) arba į apačią (sumažinsite gylį) (D pav.).
4. Sureguliuokite kreipiamąjį ratą taip, kad peilis vos liestųsi prie žemės arba vos pjautų žemės paviršių (ne daugiau kaip 5 mm) (E pav.), tada jį užveržkite.
5. Stovėdami įprastoje darbinėje padėtyje patikrinkite pjovimo gylį ir, jei reikia, sureguliuokite dar kartą.

### ĮRANKIO PALEIDIMAS IR SUSTABDYMAS

Žr. elektrinės galvutės PH1400E/PH1420E/PHX1600 naudojimo instrukcijos skyrių **ELEKTRINĖS GALVUTĖS PALEIDIMAS IR SUSTABDYMAS.**

### NAUDOJIMO PATARIMAI

- Laikykite ir kreipkite elektrinę galvutę taip, kad peilis būtų vertikalioje padėtyje. Vizualiai išlyginkite peilio pjovimo liniją su pjaunamo ploto kraštu (F pav.).
- Dirbkite eidami normaliu greičiu. Jei peilis sminga į žemę, vadinasi, pjaunate per greitai – sulėtinkite žingsnį.
- Pjaudami visada eikite ir pjoviklį judinkite į priekį. Netraukite pjoviklio į save.
- Nestumkite peilio į žemę jėga. Švelnus sąlytis tarp peilio ir šaligatvio krašto, bordiūro ir pan. yra priimtinas ir nepažeis peilio.

- Geriausią rezultatą gausite pjaudami sausą žolę. Venkite pjauti drėgnus žemės arba žolės plotus, nes peilio apsauga gali užsikimšti ir susidaryti nelygus pjovimo kraštas. Jei peilio apsauga užsikimšo, sustabdykite variklį, ištraukite akumuliatorių ir pašalinkite nuo peilio apsaugos nešvarumus.

## TECHNINĖ PRIEŽIŪRA

**⚠️ ĮSPĖJIMAS.** Prieš atlikdami įrenginio patikrą, valymą ar techninę priežiūrą, sustabdykite variklį, palaukite, kol visos judančios dalys sustos, ir išimkite akumuliatorių. Nesilaikydami šių nurodymų galite sunkiai arba net mirtingai susižaloti arba sugadinti turą.

**⚠️ ĮSPĖJIMAS:** Atlikdami techninės priežiūros darbus, naudokite tik identiškas atsargines dalis. Įrenginį reguliariai apžiūrėkite ir tvarkykite. Norint užtikrinti saugų ir patikimą gaminio naudojimą visus remonto darbus turi atlikti kvalifikuotas techninės priežiūros specialistas.

### BENDROJI TECHNINĖ PRIEŽIŪRA

Valydami plastikines dalis nenaudokite tirpiklių. Įvairūs komerciniai tirpikliai gali pažeisti daugelį plastikų ir neturėtų būti naudojami, nes gali sugadinti gaminį. Norėdami nuvalyti purvą, dulkes, tepalus, riebalus ir pan., naudokite švarias šluostes.

### ĮRENGINIO VALYMAS

- Po kiekvieno naudojimo minkštą šepetėliu nuvalykite nuo peilio ir apsaugos atliekas, žemės gabaliukus ir žolę. Kraštų pjoviklio paviršių valykite švaria šluoste, sudrėkinta silpnu muilo tirpalu.
- Naudokite mažą šepetėlį arba mažą dulkių siurblio šepetėlį, kad išvalytumėte variklio korpuso ventiliacines angas.

**PASTABA.** Plastikinėms korpuso arba rankenos dalims valyti nenaudokite jokių stiprių ploviklių. Kai kurios aromatinės alyvos (pušies arba citrinų kvapo) gali jas sugadinti.

### PEILIO KEITIMAS

**⚠️ ĮSPĖJIMAS.** Nebandykite ištiesinti ar virinti įlenktą ar įtrūkusį peilį, nes galite jį sulaužyti. Pakeiskite nauju. Rekomenduojama keisti tik kitu EGO pjoviklio peiliu, žr. skyrių **Rekomenduojamas peilis.**

**PASTABA.** Jei peilio ilgis nebėra pakankamas, siekiant išlaikyti būtiną atstumą iki žemės ir gauti reikiamą pjovimo gylį, būtina pakeisti peilį.

LT

**⚠️ ĮSPĖJIMAS.** Kai atliekate pjoviklio peilio techninės priežiūros darbus, visada apsaugokite rankas užsimaudami tvirtas pirštines arba apvyniodami ašmenis skudurais ar kitomis medžiagomis.

## Peilio nuėmimas

1. Išjunkite pjoviklį ir ištraukite akumuliatorių.
2. Padėkite pjoviklį taip, kad peilis būtų nukreiptas į viršų.
3. Mūvėkite apsaugines pirštines. Naudodami adatines reples (nepriedamos) ištraukite iš variklio veleno vielokaištį (G pav.).
4. Sukite peilį, kol jungės griovelis susilygiuos su pavaru dėžės anga (G pav.).

Toliau pateiktas G pav. parodytų dalių sąrašas.

G-1	Vielokaištis
G-2	Vidinė jungė
G-3	Pavarų dėžė

5. Įkiškite komplekte esantį šešiakampį raktą į sulygiuotas angas ir naudokite kaip stabilizatorių. Atsukite veržlę komplekte esančiu daugiafunkciu raktu sukdami **PRIEŠINGA LAIKRODŽIO RODYKLEI** kryptimi (H pav.).
6. Nuimkite nuo variklio veleno veržlę, išorinę jungę, peilį ir vidinę jungę (I pav.). Jei kuri nors detalė susidėvėjusi, pakeiskite.

Toliau pateiktas I pav. parodytų dalių sąrašas:

I-1	Variklio velenas	I-5	Peilis
I-2	Vidinė jungė	I-6	Išorinė jungė
I-3	Vidinės jungės griovelis	I-7	Veržlė
I-4	Vidinės jungės iškyša	I-8	Vielokaištis

## Peilio montavimas

1. Variklio veleno vidinės jungės padėtį nustatykite taip, kad jungės iškyša būtų išorėje (I pav.).
2. Ant vidinės jungės uždėkite naują peilį ir įsitinkinkite, kad jis patikimai pritvirtintas savo vietoje (J pav.).
3. Uždėkite ant veleno išorinę jungę ir veržlę, ranka prisukite veržlę **PRIEŠINGA LAIKRODŽIO RODYKLEI** kryptimi.
4. Nuimdami peilį pakartokite 4 ir 5 veiksmus, kad stabilizuotumėte peilį ir užsuktumėte veržlę **PRIEŠINGA LAIKRODŽIO RODYKLEI** kryptimi.
5. Į variklio veleno angą įdėkite naują komplekte esantį vielokaištį. Adatinėmis replėmis (nepriedamos) sulenkite abu vielokaiščio galus priešingomis kryptimis (G pav.).

## KREIPIAMOJO RATO KEITIMAS

1. Išjunkite pjoviklį ir ištraukite akumuliatorių.
2. Padėkite pjoviklį taip, kad krepiamasis ratas būtų nukreiptas į viršų.
3. Atsukite gylio reguliavimo rankenėlę priešinga ant rankenėlės pavaizduotai rodyklei kryptimi ir nuimkite.
4. Nuimkite nuo ilgo varžto spyruoklinę poveržlę, 1 poveržlę, krepiamąjį ratą, įvores ir 2 poveržlę (K pav.). Jei kuri nors detalė susidėvėjusi, pakeiskite.
5. Iš pradžių prakiškite ilgą varžtą per gylio reguliavimo krepiamąją juostą, tada uždėkite 2 poveržlę, įvores ir naują ratą, vėliau ant ilgo varžto uždėkite 1 poveržlę, spyruoklinę poveržlę ir galiausiai gylio reguliavimo rankenėlę K pav. nurodyta tvarka.

Toliau pateiktas K pav. parodytų dalių sąrašas.

K-1	Gylio reguliavimo rankenėlė	K-5	Įvorė
K-2	Spyruoklinė poveržlė	K-6	2 poveržlė
K-3	1 poveržlė	K-7	Ilgas varžtas
K-4	Krepiamasis ratas	K-8	Gylio reguliavimo krepiamoji juosta

**PASTABA.** Krepiamąjį ratą reikia montuoti taip, kad plokščios briaunos būtų nukreiptos į vidų (L pav.).

Toliau pateiktas L pav. parodytų dalių sąrašas.

L-1	Varžtai	L-3	Atliekų sklendė
L-2	Plokščia briauna	L-4	Tvirtinimo plokštelė

6. Užfiksuokite gylio reguliavimo rankenėlę.

## ATLIEKŲ SKLENDĖS KEITIMAS (L pav.)

1. Išjunkite pjoviklį ir ištraukite akumuliatorių.
2. Atsukite du varžtus komplekte esančiu šešiakampių raktu.
3. Išimkite varžtus, tvirtinimo plokštelę ir susidėvėjusią atliekų sklendę.
4. Įdėkite naują atliekų sklendę ir pritvirtinkite ją tvirtinimo plokštele ir dviem varžtais.

## NESUSIDĖVINČIO APSAUGINIO GAUBTELIO IR KREIPIAMOSIOS PLOKŠTELĖS PATIKRA IR KEITIMAS (M pav.)

Prieš įjungdami elektrinį įrankį patikrinkite nesusidėvintą apsauginį gaubtelį ir krepiamąją plokštelę dėl pažeidimų. Nesusidėvintą apsauginį gaubtelį rekomenduojama keisti iškart, kai per jį pradeda matytis pavaru dėžė.



**PASTABA.** Jei matyti pavarų dėžė ir nedelsiant nepakeičiate nesusidėvinčio apsauginio gaubtelio, galite smarkiai pažeisti pavarų dėžę.

1. Išjunkite pjoviklį ir ištraukite akumuliatorių.
2. Mūvėkite apsaugines pirštines. Sukite peilį, kol pamatysite du varžtus.
3. Atsukite varžtus komplekte esančiu šešiakampi raktu ir ištraukite juos.

**PASTABA.** Jei reikia pakeisti tik krepiamąją plokštelę, atsukite tik 1 varžtą.

4. Pakeiskite deformuotą arba susidėvėjusį apsauginį gaubtelį ir (arba) krepiamąją plokštelę.
5. Pritvirtinkite naują nesusidėvintį apsauginį gaubtelį ir (arba) krepiamąją plokštelę pavarų dėžėje, tada užveržkite du varžtus.

Toliau pateiktas M pav. parodytų dalių sąrašas.

M-1	1 varžtas	M-4	Nesusidėvintis apsauginis gaubtelis
M-2	Krepiamoji plokštelė	M-5	Montavimo angos
M-3	2 varžtas	M-6	Pavarų dėžė

### KREIPIAMOSIOS PLOKŠTELĖS IŠĖMIMAS

Jei esate patyręs šio tipo kraštų pjoviklio naudotojas arba matote, kad krepiamoji plokštelė trukdo pjoviklio darbui, plokštelę galite išimti.

1. Atsukite ir ištraukite 1 varžtą.
2. Ištraukite krepiamąją plokštelę.
3. Įdėkite ir užveržkite 1 varžtą.

### TRANSMISIJOS PAVARŲ TĖPIMAS

Pavarų dėžėje įrengtas transmisijos pavaras būtina reguliariai tepti pavarų tepalu. Kas 50 veikimo valandų atsukę dėžės šone esantį sandarinimo varžtą patikrinkite pavarų dėžės tepalo lygį.

Jei pavarų šonuose nėra jokių tepalo požymių, pripilkite 3/4 talpos pavarų tepalo pagal toliau pateiktus nurodymus:

Nepripildykite transmisijos pavarų dėžės iki galo.

1. Pastatykite kraštų pjoviklį statmenai, kad sandarinimo žiedas būtų nukreiptas į viršų (N pav.).
2. Komplekte esančiu daugiafunkciu raktu atsukite sandarinimo varžtą ir jį ištraukite. Naudodami tepalo švirškštą (nepriedamas) išvirškškite tepalo į varžto angą. Nevirškškite 3/4 talpos.
3. Baigę užveržkite sandarinimo varžtą.

### ĮRENGINIO SANDĖLIAVIMAS

- Išimkite kraštų pjoviklio akumuliatorių.
- Prieš sandėliavimą kruopščiai nuvalykite įrenginį.
- Jei pjoviklio įtaisas nuimtas nuo elektrinės galvutės ir padėtas atskirai, ant įtaiso veleno uždėkite kamštelį, kad į jungiamąją movą nepatektų nešvarumų.
- Įrenginį sandėliuokite sausoje, gerai vėdinamoje, rakinamoje patalpoje arba aukštai, vaikams nepasiekiamoje vietoje. Nelaikykite įrenginio ant arba šalia trąšų, benzino arba kitų chemikalų.

### Aplinkos apsauga



Neišmeskite elektros įrangos, panaudotų baterijų ir įkroviklio kartu su buitinėmis atliekomis! Šias atliekas reikia pristatyti į jų surinkimo vietą ar įgaliotam perdirbėjui. Elektrinius įrenginius reikia grąžinti į tokių atliekų perdirbimo įmonę.

## TRIKČIŲ ŠALINIMAS

PROBLEMA	PRIEŽASTIS	SPRENDIMAS
Variklis nepasileidžia.	<ul style="list-style-type: none"> <li>■ Akumuliatorius neprijungtas prie elektrinės galvutės.</li> <li>■ Nėra elektros kontakto tarp elektrinės galvutės ir akumuliatoriaus.</li> <li>■ Akumuliatorius visiškai išsekęs.</li> <li>■ Nenuspausta fiksavimo mygtukas ir gaidukas.</li> </ul>	<ul style="list-style-type: none"> <li>■ Prijunkite akumuliatorių prie elektrinės galvutės.</li> <li>■ Išimkite akumuliatorių, patikrinkite kontaktus ir vėl įdėkite akumuliatorių, kol užsifiksuos vietoje.</li> <li>■ Įkraukite akumuliatorių šioje naudojimo instrukcijoje nurodytais EGO įkrovikliais.</li> <li>■ Kad įjungtumėte žoliapjovę, nuspauskite fiksavimo mygtukas ir ją laikykite, o tada nuspauskite gaiduką.</li> </ul>
Elektrinė galvutė darbo metu sustoja.	<ul style="list-style-type: none"> <li>■ Perkrautas variklis.</li> <li>■ Akumuliatorius arba elektrinė galvutė pernelyg įkaitusi.</li> <li>■ Akumuliatorius yra atjungtas nuo įrankio.</li> <li>■ Akumuliatorius visiškai išsikrovęs.</li> </ul>	<ul style="list-style-type: none"> <li>■ Variklis ims veikti normaliai pašalinus apkrovą. Kad darbas vyktų nenutrūkstamai, sumažinkite elektrinės galvutės apkrovą.</li> <li>■ Leiskite akumuliatoriui arba elektrinei galvutei atvėsti, kol temperatūra nukris žemiau 67°C.</li> <li>■ Vėl įdėkite akumuliatorių.</li> <li>■ Įkraukite akumuliatorių šioje naudojimo instrukcijoje nurodytais EGO įkrovikliais.</li> </ul>
Nelygus kraštas	<ul style="list-style-type: none"> <li>■ Per drėgna pjaunama žolė ar žemė.</li> <li>■ Užsikimšusi peilio apsauga.</li> </ul>	<ul style="list-style-type: none"> <li>■ Venkite pjauti drėgną žemę arba žolę.</li> <li>■ Sustabdykite variklį, ištraukite akumuliatorių ir nuvalykite nuo peilio apsaugos nešvarumus.</li> </ul>

LT

## GARANTIJA

### EGO GARANTINIS POLISAS

Norėdami sužinoti visas „EGO“ garantinio poliso sąlygas, apsilankykite interneto svetainėje [egopowerplus.eu](http://egopowerplus.eu).

## IZLASIET VISUS NORĀDĪJUMUS!



### IZLASIET LIETOTĀJA ROKASGRĀMATU

**▲ BRĪDINĀJUMS.** Lai garantētu drošību un uzticamību, ierīces remontu un tās detaļu nomaiņu veikt drīkst tikai kvalificēts apkopes tehniķis.

## DROŠĪBAS APZĪMĒJUMI

Drošības apzīmējumu nolūks ir pievērst uzmanību iespējamiem apdraudējumiem. Drošības apzīmējumiem un to skaidrojumiem jāpievērš īpaša uzmanība, un tie pilnībā jāizprot. Apzīmējumu brīdinājumi paši par sevi nenovērš apdraudējumu. Apzīmējumos iekļautie norādījumi un brīdinājumi neaizstāj atbilstošus darba drošības pasākumus.

**▲ BRĪDINĀJUMS.** Pirms šī darbarīka lietošanas noteikti izlasiet un izprotiet visus šajā lietošanas rokasgrāmatā iekļautos norādījumus, tostarp visus drošības brīdinājumu apzīmējumus, piemēram, „**BĪSTAMI**”, „**BRĪDINĀJUMS**” un „**UZMANĪBU!**”. Neievērojot tālāk uzskaitītos norādījumus, var rasties elektrotrauma, aizdegšanās un/vai smaga trauma.

## APZĪMĒJUMA NOZĪME

**▲ DROŠĪBAS BRĪDINĀJUMA APZĪMĒJUMS:** Atbilst norādei **BĪSTAMI**, **BRĪDINĀJUMS** vai **UZMANĪBU!** Var tikt izmantots kopā ar citiem apzīmējumiem un piktogrammām.







**▲ BRĪDINĀJUMS.** Mehānizēto darbarīku lietošanas laikā acis var iekļūt svešķermeņi, kas savukārt var radīt smagu acu traumu. Pirms mehānizētā darbarīka izmantošanas vienmēr uzlieciet aizsargbrilles vai aizsargbrilles ar sānu aizsargiem un pilnu sejas aizsargu (ja nepieciešams). Uz parastajām brillēm vai standarta aizsargbrillēm ar sānu aizsargiem ieteicams uzlikt plata skata leņķa drošības masku.

## DROŠĪBAS NORĀDĪJUMI

Šajā lappusē ir parādīti un aprakstīti drošības apzīmējumi, kas var atrasties uz izstrādājuma. Pirms ierīces salikšanas un lietošanas izlasiet, izprotiet un izpildiet visus norādījumus.

	Drošības brīdinājums	Norāda uz iespējamu ievainojumu gūšanas risku.
	Izlasiet lietošanas rokasgrāmatu	Lai mazinātu traumu rašanās bīstamību, pirms šī izstrādājuma lietošanas tā lietotājam jāizlasa un jāizprot lietošanas rokasgrāmata.
	Lietojiet dzirdes aizsarglīdzekļus un aizsargbrilles	Lietojot šo izstrādājumu, vienmēr izmantojiet aizsargbrilles vai aizsargbrilles ar sānu aizsargiem un pilnu sejas aizsargu.
	Zāliena apmaļu griezēja asmens garums	Zāliena apmaļu griezēja asmens garums
	Neļaut tuvoties nepiederošām personām	Attālumam starp iekārtu un tuvumā esošām personām jābūt vismaz 15 m.
	Apmaļu griezēja asmens griešanās virziens	Norāda apmaļu griezēja asmens griešanās virzienu.
	Priekšmetu izsviešana	Rūpīgi pārbaudiet virsmu, uz kuras gatavojieties lietot aprīkojumu, un atbrīvojiet to no akmeņiem, sprunguļiem, vadiem, kauliem un citiem svešķermeņiem.
	Valkājiet drošības apavus	Lietojot šo aprīkojumu, valkājiet drošības apavus ar neslidošu zoli.
	Rotējošs griezošais asmens	Neenovietojiet rokas vai pēdas kustīgo daļu tuvumā vai zem tām.
	Ievērojiet pietiekami drošu attālumu no elektro-pārvades līnijām.	Lai novērstu elektrošoka bīstamību, nestrādājiet tuvāk par 15 m no elektroenerģijas pārvades gaisvadu līnijām. Saskare ar elektropārvades līnijām vai darbarīka izmantošana to tuvumā var radīt smagas traumas vai elektrošoku, kas var izraisīt nāvi.
	CE	Šis izstrādājums atbilst piemērojamajām Eiropas Komisijas (EK) direktīvām.

LV

	UKCA	Šis produkts atbilst spēkā esošajiem Apvienotās Karalistes tiesību aktiem.
	EIEA	Elektriskos izstrādājumus nedrīkst izmantot kopā ar sadzīves atkritumiem. Nogādājiet tos pilnvarotam atkritumu pārstrādātājam.
	Troksnis	Garantētais trokšņa jaudas līmenis. Trokšņa emisija vidē atbilst Eiropas Komisijas direktīvas prasībām.
V	Volti	Spriegums
mm	Milimetrs	Garums vai izmērs
cm	Centimetrs	Garums vai izmērs
kg	Kilograms	Svars
	Līdzstrāva	Strāvas veids vai raksturojums

## VISPĀRĪGI DROŠĪBAS BRĪDINĀJUMI ATTIECĪBĀ UZ IEKĀRTU

**▲ BRĪDINĀJUMS!** Izlasiet visus šīs iekārtas dokumentācijā norādītos drošības brīdinājumus, norādījumus, specifiskācijas un aplūkojiet attēlus. Visu turpmāk uzskaitīto norādījumu neievērošana var izraisīt elektriskās strāvas triecienu, aizdegšanos un/vai smagus savainojumus.

**Saglabājiet visus brīdinājumus un instrukcijas turpmākai atsaucei.**

brīdinājumos lietotais termins „iekārta” attiecas uz elektriski darbināmu iekārtu, kuras barošanu nodrošina elektrotīkls (ar elektrokabeļi) vai akumulators (bez elektrokabeļa).

### DARBA ZONAS DROŠĪBA

- **Uzturiet darba zonu tīru un labi apgaismotu.** Nesakārtotā un slikti apgaismotā darba zonā var notikt nelaimes gadījumi.
- **Nedarbiniet instrumentus eksplozīvās vidēs, piemēram, uzliesmojošu šķidrumu, gāzu vai putekļu klātbūtnē.** Instrumenti var radīt dzirksteles, kas var aizdedzināt putekļus vai tvaikus.
- **Neļaujiet bērniem un klātesošajiem atrasties instrumenta tuvumā, kamēr tas darbojas.** Apjukuma brīdī jūs varat zaudēt vadību pār ierīci.

### ELEKTRISKĀ DROŠĪBA

- **Instrumenta kontaktdakšai ir jāatbilst kontaktligzdai. Nekad nekādā veidā nepārveidojiet kontaktdakšu. Neizmantojiet adaptera kontaktdakšas kopā ar iezemētiem instrumentiem.** Lietojot nepārveidotās kontaktdakšas un atbilstošas kontaktligzdas, tiek samazināts elektriskās strāvas trieciena risks.
- **Nepieskarieties saņemtiem virsmām, piemēram cauruļvadiem, radiatoriem, plītiņiem un ledusskapjiem.** Ķermenim saņemoties, tiek palielināts elektriskās strāvas trieciena risks.
- **Nedarbiniet iekārtu lietū vai mitros apstākļos.** Ūdens, kas iekļūst iekārtā, var palielināt elektriskās strāvas trieciena vai darbības traucējumu risku, kas var izraisīt miesas bojājumus.
- **Nebojājiet strāvas vadu. Nekādā gadījumā nenesiet, nevelciet vai neatvienojiet instrumentu aiz strāvas vada. Sargājiet strāvas vadu no karstuma, eļļas, asām malām vai kustīgām daļām.** Bojāti vai sapinušies strāvas vadi palielina elektriskās strāvas trieciena risku.
- **Strādājot ar instrumentu ārpus telpām, izmantojiet tikai tādus pagarinātājus, kas ir paredzēti lietošanai ārpus telpām.** Āra darbiem paredzēta vadu pagarinātāja izmantošana samazina elektriskās strāvas trieciena risku.
- **Ja tomēr iekārtas darbināšana mitrā vidē ir neizbēgama, izmantojiet ar zemslēguma ķēžu pārtraucēju (GFCI) aizsargātu avotu.** Izmantojot GFCI, tiek samazināts elektriskās strāvas trieciena risks.

### PERSONĪGĀ DROŠĪBA

- **Izmantojot instrumentu, esiet modri, sekojiet līdzi savām darbībām un rīkojieties saprātīgi. Nelietojiet instrumentu, ja esat noguruši vai atrodaties apreibinošu vielu, alkohola vai medikamentu ietekmē.** Brīdis neuzmanības, darbojoties ar instrumentiem, var izraisīt smagus savainojumus.
- **Izmantojiet individuālos aizsarglīdzekļus. Vienmēr valkājiet acu aizsarglīdzekļus.** Ja tiek lietots darba specifiskai atbilstošs aizsargaprīkojums, piemēram, maska ar putekļu filtru, neslīdoši darba apavi, ķivere vai austiņas, samazinās traumu gūšanas risks.
- **Novērsiet nejaušanas ieslēgšanās iespējamību. Pirms instrumenta pievienošanas strāvas avotam un/vai akumulatoram pārliecinieties, ka slēdzis atrodas ieslēgšanas pozīcijā.** Pārmēsājot iekārtu ar pirkstu uz slēdža vai iedarbinot iekārtu, kas jau ir ieslēgtā stāvoklī, var notikt nelaimes gadījums.
- **Pirms instrumenta ieslēgšanas nogemiet visas regulēšanas vai uzgriežņu atslēgas.** Uzgriežņu vai regulēšanas atslēga, kas palikusi piestiprināta pie instrumenta rotējošās daļas, var radīt savainojumus.

- **Nepārvērtējiet savas spējas.** Ieņemiet pareizu stāju un vienmēr saglabājiet līdzsvaru. Tas ļauj labāk kontrolēt instrumentu neparedzētās situācijās.
- **Valkājiet atbilstošu apģērbu.** Nevalkājiet vaļīgu apģērbu vai rotaslietas. Sargājiet matus, apģērbu un cimdus no kustīgajām daļām. Vaļīgs apģērbs, rotaslietas vai gari mati var iekļerties iekārtas kustīgajās daļās.
- **Ja iekārtas ir paredzētas savienošanai ar putekļu nosūknisan un savākšanas iekārtām, pārliecinieties, vai tās ir pieslēgtas un tiek izmantotas pareizi.** Putekļu savākšanas ierīču izmantošana var samazināt ar putekļiem saistītos apdraudējumus.
- **Nepieļaujiet, ka instrumenta bieža lietošana izraisa nevērīgu attieksmi darbā ar to, un neignorējiet ar instrumenta lietošanu saistītos drošības principus.** Viens brīdis neuzmanības var izraisīt nopietnas traumas.

## IEKĀRTAS LIETOŠANA UN KOPŠANA

- **Nepiespiediet instrumentu ar spēku.** Izmantojiet lietojuma nolūkam atbilstošu instrumentu. Pareizais instruments nodrošinās labākus rezultātus un būs drošāks darba ātrumā, kuram tas ir paredzēts.
- **Nelietojiet instrumentu, ja slēdzis to neieslēdz un neizslēdz.** Instruments, ko nevar ieslēgt un izslēgt ar slēdzi, ir bīstams un jāsalabo.
- **Pirms jebkādu pielāgojumu veikšanas, piederumu maiņas vai iekārtas novietošanas glabāšanā atvienojiet kontaktdakšu no barošanas avota un/ vai izņemiet no iekārtas akumulatoru, ja tas ir iespējams.** Šie drošības pasākumi palīdzēs izvairīties nejaūšas instrumenta ieslēgšanas riska.
- **Ja instruments kādu laiku netiek lietots, uzglabājiet to bērniem nepieejamā vietā un neļaujiet ar instrumentu darboties personām, kas to nepārzina vai nav izlasījušas šo instrukciju.** Instrumenti ir bīstami, ja ar tiem darbojas neapmācīti lietotāji.
- **Uzturiet instrumentus un piederumus darba kārtībā.** Pārbaudiet, vai kustīgās daļas nav zaudējušas savienojuma precizitāti, vai kāda detaļa nav salūzusi vai nav kāda cita kļūme, kas var ietekmēt instrumenta darbību. Ja ir radušies bojājumi, pirms lietošanas lieciet salabot instrumentu. Daudzus nelaimes gadījumus izraisa slikti uzturēti instrumenti.
- **Griezējinstrumentiem jābūt asiem un tīriem.** Rūpīgi kopti griezējinstrumenti ar asām griezējmalām retāk iestrēgst un ir vieglāk vadāmi.
- **Lietojiet iekārtu, tās piederumus un uzgaļus atbilstoši šiem norādījumiem, ņemot vērā darba apstākļus un veicamo uzdevumu.** Instrumenta lietošana neparedzētiem mērķiem var radīt bīstamu situāciju.
- **Rokturkiem un satveršanas daļām jābūt sausām, tīrām un uz tām nedrīkst būt eļļa vai smērviela.** Ja rokturi un satveršanas daļas ir mitras, tās novērsīs drošu instrumentu vadāmību un kontroli neparedzētās situācijās.

## AKUMULATORA IEKĀRTAS LIETOŠANA UN KOPŠANA

- **Uzlādējiet instrumentu tikai ar ražotāja noteikto lādētāju.** Lādētājs, kas paredzēts lietošanai tikai ar viena veida akumulatoru bloku, var radīt aizdegšanās draudus, ja to izmanto kopā ar citu akumulatoru bloku.
- **Lietojiet instrumentus kopā tikai ar tiem paredzētiem akumulatoriem.** Jebkura cita akumulatoru bloka lietošana var radīt traumu gūšanas un aizdegšanās risku.
- **Kad akumulatoru bloks netiek izmantots, neglabājiet to citu metāla priekšmetu, piemēram, papīra saspaužu, monētu, atslēgu, naglu, skrūvju vai citu sīku metāla priekšmetu, kas var veidot savienojumu starp spailēm, tūvumā.** Akumulatora spaiļu īsslēgums var izraisīt aizdegšanos vai ugunsgrēku.
- **Nepareizas rīcības gadījumā no akumulatora var izteciēt šķidrums; izvairieties no saskares ar to. Ja tas nejaūši nokļuvis uz ādas, noskalojiet ar ūdeni. Ja šķidrums iekļuvis acīs, nekavējoties meklējiet medicīnisko palīdzību.** No akumulatora izkļuvušais šķidrums var izraisīt kairinājumu vai apdegumus.
- **Nelietojiet bojātu vai pārveidotu akumulatoru vai instrumentu.** Bojātu vai pārveidotu akumulatoru izmantošana var radīt neparedzamus apstākļus, kas rada aizdegšanās, sprādziena vai traumas gūšanas draudus.
- **Nepakļaujiet akumulatoru vai instrumentu uguns liesmu vai pārmērīgas temperatūras iedarbībai.** Uguns liesmu iedarbība vai temperatūra virs 130 °C var izraisīt sprādzienu.
- **Izpildiet visas uzlādēšanas instrukcijas un neuzlādējiet akumulatoru vai instrumentu ārpus instrukcijās norādītajām temperatūras vērtībām.** Ja iekārta tiek uzlādēta nepareizi vai tiek pārsniegtas instrukcijās norādītās uzlādēšanas temperatūras vērtības, akumulators var sabojāties un palielināt aizdegšanās risku.

## SVARĪGI DROŠĪBAS NORĀDĪJUMI

**⚠ BRĪDINĀJUMS.** Izmantojot auklas trimerus, vienmēr veiciet pamata piesardzības pasākumus, lai mazinātu aizdegšanās, elektrotraumas, traumu rašanās draudus, un ievērojiet tālāk sniegtās norādes.

## RŪPĪGI IZLASIET PIRMS LIETOŠANAS

## SAGLABĀJIET TURPMĀKĀM UZZIŅĀM

LV

**⚠ BĪSTAMI!** Elektrotraumas nepieļaušanai nepaļaujieties tikai uz darbarīka izolāciju. Lai mazinātu nāvējošas elektrotraumas draudus, nekādā gadījumā nelietojiet ierīci tādu vadu vai kabeļu tuvumā, kuros varētu plūst strāva.

**⚠ UZMANĪBU!** Lietojot ierīci, izmantojiet piemērotus dzirdes aizsarglīdzekļus. Dažos gadījumos un zināmā laika intervālā šī izstrādājuma radītais troksnis var izraisīt dzirdes zudumu.

## APMĀCĪBA

- Rūpīgi izlasiet visus norādījumus. Iepazīstieties ar izstrādājuma vadības elementiem un pareizu ierīces lietošanu.
- Nekādā gadījumā neļaujiet ierīci lietot cilvēkiem, kas nav iepazinušies ar šiem norādījumiem, kā arī bērniem. Vietējie noteikumi var ierobežot ierīces lietotāja vecumu.
- Neļaujiet malas, ja tuvumā ir cilvēki, it īpaši bērni, vai mājdzīvnieki.
- Ņemiet vērā, ka ierīces lietotājs vai operators ir atbildīgs par negadījumiem vai apdraudējumiem, kas var rasties citiem cilvēkiem vai īpašumam.

## SAGATAVOŠANĀS

- Apmāju griešanas laikā vienmēr lietojiet aizsargbrilles un dzirdes aizsarglīdzekļus, atbilstošu darba apavus un garas bikses.
- Rūpīgi pārbaudiet virsmu, uz kuras gatavojieties lietot aprīkojumu, un atbrīvojiet to no akmeņiem, sprunguļiem, vadiem, kauliem un citiem svešķermeņiem.
- Pirms lietošanas vienmēr vizuāli pārbaudiet instrumentu, lai noteiktu, vai asmeņi, asmens bulskrūve un griešanas mehānisms nav nodilis vai bojāts. Nomainiet nodilušus vai bojātus asmeņus un bulskrūvjus komplektus, lai nodrošinātu līdzsvaru.

## LIETOŠANA

- Pļaujiet malas tikai dienas laikā vai labā mākslīgajā apgaismojumā.
- Vienmēr pārliecinieties, ka, atrodoties uz nogāzes, ir drošs pamats.
- Ejiet, nekad neskrīniet.
- Griežot apmaļu griezēju otrādāk vai velkot to uz savu pusi, rīkojieties ļoti uzmanīgi.
- Pirms šķērsojiet virsmas, kas nav zāliens, un pārvietojiet apmaļu griezēju uz vai no vietas, kur to izmantosiet, pārliecinieties, ka asmens ir apturēts.
- Nekad nelietojiet apmaļu griezēju ar bojātiem, trūkstošiem vai nepareizi uzstādītiem aizsargiem.

- Nomainiet dzinēja ierobežošanas ierīces iestatījumus vai nepārsniedziet dzinējam noteiktos ātruma ierobežojumus.
- Uzmanīgi ieslēdziet uz dzinēja esošo slēdzi, ievērojot atbilstošos norādījumus un pēdām atrodoties drošā attālumā no asmens(-ņiem).
- Kad ieslēdzat dzinēju, nesasveriet ierīci, ja vien tas nav apmaļu griezējs, kuru nepieciešams sasvērt, lai palaistu. Šajā gadījumā nesasveriet ierīci vairāk nekā absolūti nepieciešams un paceliet tikai no operatora tālāko daļu.
- Nepalaidiet dzinēju, ja asmens(-ņu) priekšā atrodas kāda persona.
- Nenovietojiet rokas vai pēdas kustīgo daļu tuvumā vai zem tām.
- Vienmēr izslēdziet dzinēju un atvienojiet no akumulatora:
  - 1) pirms šķēršļu likvidēšanas;
  - 2) pirms asmens(-ņu) pārbaudīšanas, tīrīšanas un apkopes;
  - 3) pēc sadursmes ar svešķermeņiem: pārbaudiet, vai asmens(-ņi) nav bojāts(-i), un pirms apmaļu griezēja atkārtotas ieslēgšanas un lietošanas veiciet nepieciešamas labošanas darbus;
  - 4) ja apmaļu griezējs sāk neierasti vibrēt (nekavējoties pārbaudiet).
- Izslēdziet dzinēju ikreiz, kad pārtraucat lietot apmaļu griezēju.
- Neuzlādējiet akumulatora bloku lietū vai mitrās vietās.
- Izmantojiet tikai A attēlā uzskaitītos akumulatora blokus un lādētājus.
- Pirms izmešanas akumulatora bloks jāizņem no ierīces.
- No akumulatora jāatbrīvojas droši.
- Nemetiet akumulatoru ugunī. Akumulatora elementi var uzsprāgt. Īpašus norādījumus par atbilstošu atbrīvošanu no akumulatoriem meklējiet vietējos normatīvos.
- Neatveriet un nebojājiet akumulatoru. Elektrolīts, kas izplūst, ir korozīvs un var radīt acu un ādas bojājumus. Norijot var būt toksisks.
- Rīkojieties ar akumulatoriem ļoti uzmanīgi, neveidojiet īsslēgumu ar materiāliem, kas vada elektrību, piemēram, gredzeniem, rokassprādzēm un atslēgām. Akumulators vai vads var pārkarst un radīt apdegumus.
- Akumulatora darbarīkus nav nepieciešams pieslēgt elektrotīklam, tādēļ tie vienmēr ir darbības stāvoklī. Pat, ja darbarīks nedarbojas, vienmēr sargieties no iespējama apdraudējuma. Veicot uzturēšanu vai apkopi, esiet piesardzīgs.

- Nemazgājiet ar šļūteni; nepieļaujiet ūdens iekļūšanu motorā un elektriskajos savienojumos.

#### Apkope un uzglabāšana

- Raugieties, lai visi uzgriežņi un skrūves būtu kārtīgi pievilkta, lai nodrošinātu, ka aprīkojums ir drošā darba stāvoklī.
- Nomainiet nodilušās vai bojātās daļas.
- Nemēģiniet labot ierīci, ja vien neesat kompetents to darīt.
- Lietojiet tikai ražotāja ieteiktās rezerves daļas un piederumus.
- Pirms apkopes darbu veikšanas vai tīrīšanas atvienojiet ierīci no akumulatora.
- Regulāri pārbaudiet ierīci un veiciet tās apkopi. Uzticiet ierīces remontēšanu tikai pilnvarotam remonta tehnikam.
- Ja ierīci nelietojat, novietojiet to bērniem neaizsniedzamā vietā.
- Gadījumos, kas nav aprakstīti šajā rokasgrāmatā, esiet uzmanīgs un rīkojieties prātīgi. Lai saņemtu palīdzību, sazinieties ar EGO apkopes centru.
- Saglabājiet šo norādījumus. Regulāri pārskatiet tos un lietojiet, lai iepazīstinātus citus lietotājus, kas arī var izmantot šo darbarīku. Ja kādam aizdodat šo darbarīku, pievienojiet arī šos norādījumus, lai nepieļautu nepareizu darbarīka izmantošanu un ievainojumu rašanos.

#### SAGLABĀJIET ŠOS NORĀDĪJUMUS!

**PIEZĪME. LAI IEGŪTU PAPILDINFORMĀCIJU PAR KONKRĒTIEM DROŠĪBAS NOTEIKUMIEM, SKATIET SAVAS INSTRUMENTGALVAS LIETOTĀJA ROKASGRĀMATU**

#### SPECIFIKĀCIJAS

Asmens garums	20 cm
Apmaļu griešanas dziļums	Līdz pat 75 mm
Svars	2,26 kg
Darba temperatūra	-15°C – 40°C
Uzglabāšanas temperatūra	-20°C – 70°C

Izmērītais skaņas jaudas līmenis $L_{WA}$	92,4 dB(A) K=2,07 dB(A) (PH1400E)	
	90,7 dB(A) K=1,46 dB(A) (PH1420E)	
	90 dB(A) K=1,3 dB(A) (PHX1600)	
Skaņas spiediena līmenis pie operatora auss $L_{PA}$	79,8 dB(A) K=3 dB(A) (PH1400E)	
	81,2 dB(A) K=3 dB(A) (PH1420E)	
	84 dB(A) K=3 dB(A) (PHX1600)	
Garantētais skaņas jaudas līmenis $L_{WA}$ (mērīts saskaņā ar 2000/14/EK)	95 dB(A)	
Vibrācija $a_h$	Priekšējais palīgrokturis	1,2 m/s <sup>2</sup> K=1,5 m/s <sup>2</sup> (PH1400E)
		1,95 m/s <sup>2</sup> K=1,5 m/s <sup>2</sup> (PH1420E)
		1,6 m/s <sup>2</sup> K=1,5 m/s <sup>2</sup> (PHX1600)
	Aizmugurējais rokturis	2,2 m/s <sup>2</sup> K=1,5 m/s <sup>2</sup> (PH1400E)
		1,66 m/s <sup>2</sup> K=1,5 m/s <sup>2</sup> (PH1420E)
		1,53 m/s <sup>2</sup> K=1,5 m/s <sup>2</sup> (PHX1600)

LV

- Iepriekš minētie parametri ir pārbaudīti un izmērīti kopā ar instrumentgalvu PH1400E/PH1420E/PHX1600;
- Norādītā kopējā vibrācijas vērtība tika mērīta saskaņā ar parastu mērīšanas paņēmieni; tā var tikt izmantota darbarīku salīdzināšanai.
- Norādīto kopējo vibrācijas vērtību var izmantot arī sākotnējai ietekmes izvērtēšanai.

**PIEZĪME:** Vibrācijas līmenis mehānizētā darbarīka lietošanas laikā var atšķirties no norādītās vērtības, ar kādu tiek lietots darbarīks. Lai aizsargātu operatoru, jāizmanto cimdi un dzirdes aizsarglīdzekļi.

## KOMPLEKTĀCIJA

DAĻAS NOSAUKUMS	DAUDZUMS
Apmāļu griezēja papildierīce	1
Seškanšu uzgriežņu atslēga	1
Daudzfunkcionālā uzgriežņu atslēga	1
Šķelttapa	2
Lietošanas rokasgrāmata	1

### Ieteicamais asmens

DAĻAS NOSAUKUMS	MODEĻA NUMURS
Apmāļu griezēja asmens	AEB0800

## APRAKSTS

### PĀRZINIET SAVU APMAĻU GRIEZĒJA PAPILDIERĪCI (A attēls)

- Noslēgs
- Apmāļu griezēja kāts
- Asmens aizsargs
- Asmens
- Dziļuma regulēšanas poga
- Vadritenis
- Seškanšu uzgriežņu atslēga
- Daudzfunkcionālā uzgriežņu atslēga
- Dziļuma regulēšanas vadotnes slīde
- Gružu sargs
- Šķelttapa
- Skrūve, kas nofiksē vadplāksni savā vietā
- Vadplāksne

LV

## MONTĀŽA

**⚠ BRĪDINĀJUMS.** Ja kāda no daļām trūkst vai ir bojāta, nelietojiet šo izstrādājumu, līdz daļas ir nomainītas. Izmantojot šo izstrādājumu, ja trūkst kāda no daļām vai arī tā ir bojāta, var rasties smagas traumas.

**⚠ BRĪDINĀJUMS.** Nemēģiniet pārveidot šo izstrādājumu vai pievienot piederumus, kuru izmantošana šajā auklas trimērī nav ieteicama. Jebkādas šādas izmaiņas vai pārveidojumi ir ierīces neatbilstoša lietošana un var izraisīt bīstamu situāciju un smagu traumu.

**⚠ BRĪDINĀJUMS!** Lai nepieļautu nejaušu iekārtas ieslēgšanos, kas var radīt smagas traumas, to saliekot, vienmēr izņemiet no tās akumulatoru bloku.

**⚠ BRĪDINĀJUMS!** Uzstādot vai nomainot aizsargu, vienmēr valkājiet cimdus. Sargieties no asmens, kas atrodas uz aizsarga, un aizsargājiet rokas pret sagriešanos.

**⚠ BRĪDINĀJUMS!** Nekādā gadījumā nedarbiniet iekārtu, ja nav nostiprināts aizsargs. Aizsargam vienmēr jābūt uzstādītam uz iekārtas, lai aizsargātu lietotāju! Kad aizsargs ir piestiprināts, nekad nemēģiniet to noņemt vai regulēt; ja aizsargs ir jānomaina, nogādājiet to kvalificētam apkopes tehnikam!

### APMAĻU GRIEZĒJA PAPILDIERĪCES PIEVIENOŠANA INSTRUMENTĀLVAI

Šī apmaļu griezēja papildierīce ir paredzēta lietošanai kopā ar EGO 56 V instrumentgalvu PH1400E/PH1420E/PHX1600 ar litiju jona akumulatoru.

Skatiet sadaļu „PAPILDIERĪCES PIEVIENOŠANA INSTRUMENTĀLVAI” instrumentgalvas PH1400E/PH1420E/PHX1600 lietotāja rokasgrāmātā.

## LIETOŠANA

**⚠ BRĪDINĀJUMS.** Iepazīstot darbu ar šo ierīci, nekļūstiet nolaidīgs. Atcerieties, ka neuzmanība sekundes daļā var radīt smagu traumu.

**⚠ BRĪDINĀJUMS.** Vienmēr izmantojiet acu aizsarglīdzekļus ar sānu aizsargiem. Kopā ar dzirdes aizsarglīdzekļiem. To nedarot, acis var tikt iesviesti svešķermeņi, kā arī rasties citas smagas traumas.

### PIELIETOJUMS

Šo izstrādājumu var lietot tālāk norādītajiem mērķiem:

- Apmāļu griešanai gar taciņām, nožogojumiem, puķu dobēm un tamlīdzīgām zonām.

**PIEZĪME.** Šo instrumentu drīkst izmantot tikai aprakstītajam mērķim. Izmantošana jebkādā citā veidā tiks uzskatīta par neatbilstošu lietošanu.



**Pirms katras trimera lietošanas reizes pārbaudiet, vai nav bojātu un nodilušu daļu**

Pārbaudiet ierīces piespiežamo galvu, aizsargu un priekšējo rokturi un nomainiet detaļas, ja tās ir saplaisājušas, savijušās, salocījušās vai bojātas.

**⚠ BRĪDINĀJUMS!** Lai nepieļautu nopietnus ievainojumus, pirms instrumenta apkopes, tīrīšanas, papildierīču maiņas vai nogrieztā materiāla izņemšanas izņemiet akumulatora bloku.

**APMAŅU GRIEZĒJA PAPILDIERĪCES PIEVIENOŠANA INSTRUMENTGALVAI**

**⚠ BRĪDINĀJUMS!** Ģērbieties atbilstīgi, lai mazinātu traumu rašanās draudus, lietojot šo darbarīku. Nevalkājiet vaļīgu apģērbu vai rotaslietas. Izmantojiet acu un dzirdes aizsarglīdzekļus. Valkājiet izturīgas, garas bikses, apavus un cimdus. Nevalkājiet tsās bikses, sandales; neejiet basām kājām. Puteklīnāi vidē lietojiet sejas vai putekļu masku.

**⚠ BRĪDINĀJUMS!** Atbrīvojiet darba zonu no jebkādiem šķēršļiem un cietajiem objektiem.

Lai nodrošinātu drošu un labāku darbību, nēsājiet plecu siksnu, pārliekot to pāri plecam. Noregulējiet plecu siksnu ērtā darba pozīcijā.

Vienmēr turiet apmaņu griezēju tā, lai labā roka turētu aizmugurējo rokturi, savukārt kreisā roka priekšējo palīgrokturi. Instrumenta lietošanas laikā stingri turiet to ar abām rokām. Apmāju griezējs jātur ērtā pozīcijā tā, lai aizmugurējais rokturis atrastos apmēram gurnu augstumā (B attēls).

**⚠ BRĪDINĀJUMS!** Plecu siksnai ir arī ātrās atbrīvošanas mehānisms bīstamām situācijām. Avārijas situācijās gadījumā nekavējoties noņemot siksnu no pleca neatkarīgi no tā, kādā pozīcijā tā atrodas.

**Pēc katras apmaņu griezēja lietošanas reizes notīriet to.**

Skatiet sadaļu „APKOPE”, lai iepazītos ar tīrīšanas norādījumiem.

**PLĀUŠANAS DZIĻUMA REGULĒŠANA**

1. Apturiet dzinēju un izņemiet akumulatora bloku.
2. Atskrūvējiet dziļuma regulēšanas pogu, griežot to atbloķēšanas bultas, kas redzama uz pogas, norādītajā virzienā (C attēls).
3. Pārvietojiet vadriteni pa dziļuma regulēšanas vadotnes sliedi uz augšu, lai palielinātu griešanas dziļumu, vai arī uz leju, lai samazinātu dziļumu (D attēls).

4. Noregulējiet vadriteni tā, lai asmens tikai gandrīz pieskartos zemei vai uzrušinātu augsni ne vairāk kā 5 mm dziļumā (E attēls), un stingri pievelciet to.
5. Stāvēt parastajā darba stājā, vēlreiz pārbaudiet griešanas dziļumu un, ja nepieciešams, izlabojiet to.

**IERĪCES IEDARBINĀŠANA/APTURĒŠANA**

Skatiet sadaļu „INSTRUMENTGALVAS IEDARBINĀŠANA/APTURĒŠANA” instrumentgalvas PH1400E/PH1420E/PHX1600 lietotāja rokasgrāmatā.

**EKSPLUATĀCIJAS IETEIKUMI**

- Turiet un vadiet instrumentgalvu tā, lai asmens atrastos vertikālā pozīcijā. Izmantojiet redzamības līniju, lai novietotu asmeni tieši pie gultnes malas (F attēls).
- Darba laikā nepārvietojieties ātrāk par parastu iešanas ātrumu. Ja asmens sāk nogrimt, jūs griežat pārāk ātri; palēniniet savu gaitu.
- Griešanas laikā vienmēr pārvietojieties uz priekšu un pārvietojiet apmaņu griezēju tikai virzienā uz priekšu. Nevelciet apmaņu griezēju uz savu pusi.
- Nespiediet asmeni ar spēku zemē. Neliela asmens saskare ar tačuņas malu, nožogojumu u. tml. ir pieņemama un neradīs apmaņu griezēja bojājumus.
- Labākos rezultātus iespējams sasniegt, kad zāle ir sausa. Negriežiet mitru augsni vai zāli, jo tā var aizsprostot asmens aizsargu un radīt nelīdzenu malu. Ja asmens aizsargs nosprostojas, apturiet dzinēju, izņemiet akumulatora bloku un izņemiet grūzus no asmens aizsarga.

**APKOPE**

**⚠ BRĪDINĀJUMS!** Pirms ierīces pārbaudes, tīrīšanas vai apkopšanas, apturiet dzinēju, pagaidiet līdz visas kustīgās daļas ir pārstājušas kustēties un izņemiet akumulatora bloku. Šo noteikumu neievērošana var radīt nopietnus ievainojumus vai materiālos zaudējumus.

**⚠ BRĪDINĀJUMS.** Veicot apkopi, izmantojiet tikai identiskas nomaīņas daļas. Regulāri pārbaudiet ierīci un veiciet tās apkopi. Lai garantētu drošību un uzticamību, ierīci drīkst remontēt tikai kvalificēts apkopes tehniķis.

**VISPĀRĒJĀ APKOPE**

Tīrot plastmasas detaļas, neizmantojiet šķīdinātājus. Vairums plastmasu ir uzņēmīgas pret dažāda veida komerciālu šķīdinātāju bojājumiem un, tos izmantojot, var tikt sabojātas. Lai notīrītu neīrums, putekļus, eļļu, smērvielas u.c., izmantojiet tīras lupatīņas.

## IERĪCES TĪRĪŠANA

- Pēc katras lietošanas reizes ar maigu suku notīriet grūzus, iesprūdušu augšņu vai zāli no asmens un aizsarga. Noslaukiet apmaļu griezēja virsmu ar tīru drānu, kas samitrināta ar maigu ziepju šķīdumu.
- Ventilācijas atveru tīrīšanai korpusa aizmugurē izmantojiet nelielu suku vai nelielu putekļsūcēja suku ar gaisa izplūdi.

**PIEZĪME.** Neīrīriet plastmasas korpusu un rokturi ar kodīgiem tīrīšanas līdzekļiem. Plastmasas daļas var sabojāt ar noteiktām aromatizētajām eļļām, piemēram, priežu un citrona.

## ASMENS MAIŅA

**⚠ BRĪDINĀJUMS!** Nemēģiniet iztaisnot vai metināt salocītu vai iekļūdušu asmeni, jo tas var salūzt; šāds asmens ir jānomaina. Ieteicams nomainīt tikai pret EGO apmaļu griezēja asmeni, skatiet sadaļu „Ieteicamais asmens”.

**PIEZĪME.** Nomainiet asmeni, ja tā garums vairs nav pietiekams, lai nodrošinātu nepieciešamo attālumu līdz zemei un nepieciešamo griešanas dziļumu.

**⚠ BRĪDINĀJUMS!** Vienmēr sargājiet rokas, valkājot blīvus cimdus vai aptinot asmeni ar drānām vai citiem materiāliem, kamēr veicat apmaļu griezēja asmens apkopes darbus.

## Asmens noņemšana

1. Apturiet dzinēju un izņemiet akumulatora bloku.
2. Novietojiet apmaļu griezēju uz tā muguras tā, lai asmens būtu vērsts uz augšpusi.
3. Valkājiet aizsargcimdus. Izmantojiet plakanknaibles ar smailiem galiem (nav iekļautas komplektācijā), lai izņemtu šķelttapa no dzinēja vārpstas (G attēls).
4. Pagrieziet asmeni tā, lai atloka sprauga atrastos tieši pretī pārnesumkārbas atverei (G attēls).

G. attēla detaļu aprakstu skatīt zemāk:

G-1	Šķelttapa
G-2	Iekšējais atloks
G-3	Pārnesumkārbā

5. Ievietojiet komplektācijā iekļauto seškanšu atslēgu atbilstošajās atverēs, lai izmantotu to kā stabilizatoru. Izmantojiet komplektācijā iekļauto daudzfunkcionālo uzgriezņu atslēgu, lai atskrūvētu uzgriezni, griežot to **pulksteņa rādītāju kustības virzienā** (H attēls).
6. Noņemiet uzgriezni, ārējo atloku, asmeni un iekšējo atloku no dzinēja vārpstas (I attēls). Pārbaudiet šos elementus un, ja tie ir nodiluši, nomainiet.

I attēla detaļu aprakstu skatiet tālāk:

I-1	Dzinēja vārpsta	I-5	Asmens
I-2	Iekšējais atloks	I-6	Ārējais atloks
I-3	Sprauga iekšējā atlokā	I-7	Uzgrieznis
I-4	Izcilnis uz iekšējā atloka	I-8	Šķelttapa

## Asmens uzstādīšana

1. Novietojiet iekšējo atloku uz dzinēja vārpstas tā, lai izcilnis būtu vērsts uz ārpusi (I attēls).
2. Uzstādiet jauno asmeni uz iekšējā atloka, pārliecinoties, ka asmens ir stingri novietots savā vietā (J attēls).
3. Uzstādiet ārējo atloku un uzgriezni uz vārpstas un ar roku pievelciet uzgriezni, griežot to **pulksteņa rādītāju kustības virzienā**.
4. Veiciet iepriekš sadaļā „Asmens noņemšana” norādīto 4. un 5. darbību, lai stabilizētu asmeni un varētu cieši pievilkt uzgriezni, griežot to **pretēji pulksteņa rādītāju kustības virzienam**.
5. Ievietojiet jaunu komplektācijā iekļauto šķelttapa dzinēja vārpstas atverē. Noloķiet divas šķelttapa kājiņas pretējos virzienos, izmantojot plakanknaibles ar smailiem galiem (nav iekļautas komplektācijā) (G attēls).

## VADRITENA MAIŅA

1. Apturiet dzinēju un izņemiet akumulatora bloku.
2. Novietojiet apmaļu griezēju uz tā muguras tā, lai vadritenis būtu vērsts uz augšpusi.
3. Izskrūvējiet dziļuma regulēšanas pogu, griežot to atbloķēšanas bultas, kas redzama uz pogas, norādītajā virzienā, un noņemiet to.
4. Noņemiet atsperpaplāksni, 1. plakano paplāksni, vadriteni, caurvadizolatoru un 2. plakano paplāksni no skrūves statņa (K attēls). Pārbaudiet šos elementus un, ja tie ir nodiluši, nomainiet.
5. Uzstādiet skrūves statni, vispirms izverot to caur dziļuma regulēšanas vadotnes sliedi, un pēc tam uzstādiet uz skrūves statņa 2. plakano paplāksni, caurvadizolatoru un jauno riteni, un tad uzstādiet 1. plakano paplāksni, atsperpaplāksni un dziļuma regulēšanas pogu tādā secībā, kāda dota K attēlā.

K attēla detaļu aprakstu skatiet tālāk:

K-1	Dziļuma regulēšanas poga	K-5	Caurvadizolators
K-2	Atsperpaplāksne	K-6	2. plakanā paplāksne
K-3	1. plakanā paplāksne	K-7	Skrūves statnis
K-4	Vadritenis	K-8	Dziļuma regulēšanas vadotnes sliede

**PIEZĪME.** Vadritenis jāuzstāda tā, ka tā plakanie valniši būtu vērsti uz iekšpusi (L attēls).

L attēla detaļu aprakstu skatiet tālāk:

L-1	Skrūves	L-3	Gružu sargs
L-2	Plakanais valnītis	L-4	Fiksējošā plāksne

6. Nobloķējiet dziļuma regulēšanas pogu.

#### GRUŽU SARGA MAIŅA (L attēls)

1. Apturiet dzinēju un izņemiet akumulatora bloku.
2. Izmantojiet komplektācijā iekļauto seškanšu uzgriežņu atslēgu, lai izskrūvētu abas skrūves.
3. Izņemiet skrūves, noņemiet fiksējošo plāksni un nodilušo grūžu sargu.
4. Uzstādiet jauno grūžu sargu un nofiksējiet to vietā ar fiksējošo plāksni un divām skrūvēm.

#### PRETNODILUMA AIZSARGA/VADPLĀKSNES PĀRBAUDE UN MAIŅA (M attēls)

Pirms elektroinstrumenta lietošanas pārbaudiet, vai aizsargs un vadplāksne nav bojāti. Pretnodiluma aizsargs ir jānomaina tiklīdz pārnēsma kārba kļūst redzama.

**PIEZĪME.** Pārnēsma kārba var tikt nopietni bojāta, ja jūs nomainīsiet pretnodiluma aizsargu tiklīdz pārnēsma kārba kļūst redzama.

1. Apturiet dzinēju un izņemiet akumulatora bloku.
2. Valkājiet aizsargcimdus. Pagrieziet asmeni atbilstošajā pozīcijā, lai būtu redzamas abas skrūves.
3. Izmantojiet komplektācijā iekļauto seškanšu uzgriežņu atslēgu, lai izskrūvētu un izņemtu abas skrūves.

**PIEZĪME.** Ja nepieciešams nomainīt tikai vadplāksni, izskrūvējiet un izņemiet tikai 1. skrūvi.

4. Nomainiet deformēto vai nodilušo pretnodiluma aizsargu/vadplāksni.
5. Uzstādiet jauno pretnodiluma aizsargu un vadplāksni uz pārnēsma kārbas un nofiksējiet šos elementus ar divām skrūvēm.

M attēla detaļu aprakstu skatīt zemāk:

M-1	1. skrūve	M-4	Pretnodiluma aizsargs
M-2	Vadplāksne	M-5	Uzstādīšanas atveres
M-3	2. skrūve	M-6	Pārnēsma kārba

#### VADPLĀKSNES NOŅĒMŠANA

Ja jums ir pieredze darbā ar šāda veida apmaļu griezēju vai arī uzskatāt, ka vadplāksnes traucē veikt griešanu, jūs drīkstat noņemt vadplāksni.

1. Izskrūvējiet un izņemiet 1. skrūvi.
2. Noņemiet vadplāksni.
3. Uzstādiet atpakaļ un pievelciet 1. skrūvi.

#### PĀRNESUMU ZOBRATU IEELĻOŠANA

Pārnēsma kārībā esošos pārnēsma zobratu nepieciešams laiku pa laikam ieelļot ar zobratu eļļu. Pārbaudiet pārnēsma kārības eļļas līmeni ik pēc apmēram 50 darba stundām, izņemot pārnēsma kārības sānā esošo blīvskrūvi.

Ja uz zobrata sāniem nav redzama eļļa, veiciet turpmāk norādītas darbības, lai iepildītu zobratu eļļu līdz 3/4 no tilpnes.

Pārnēsma zobratiem nav jābūt pilnībā iegrimušiem eļļā.

1. Novietojiet apmaļu griezēju vertikālā pozīcijā tā, lai blīvskrūve būtu vērsta uz augšpusi (N attēls).
2. Izmantojiet komplektācijā iekļauto daudzfunkcionālo uzgriežņu atslēgu, lai izskrūvētu un izņemtu blīvskrūvi. Izmantojiet eļļas šļirci (nav iekļauta komplektācijā), lai skrūves atverē iesmidzinātu nedaudz eļļas, tomēr nepiepildiet atveri vairāk par 3/4.
3. Pēc iesmidzināšanas stingri pievelciet blīvskrūvi.

#### IERĪCES UZGLABĀŠANA

- Noņemiet akumulatora bloku no apmaļu griezēja
- Pirms uzglabāšanas kārtīgi notīriet darbarīku.
- Ja apmaļu griezēja papildierīce tiek noņemta no instrumentgalvas un glabāta atsevišķi, uz piederuma kāta uzstādiet noslēgu, lai novērstu netīrumu iekļūšanu savienotājā.
- Uzglabājiet ierīci sausā, labi vēdināmā, aizslēdzamā vai augstā — bērniem nepieejamā — vietā. Neuzglabājiet ierīci blakus mēslojumam, degvielai vai citām ķīmikālijām.

#### Apkārtējās vides aizsardzība



Neutilizējiet elektrisko aprīkojumu, izlietoto akumulatoru un lādētāju sadzīves atkritumos! Nogādājiet šo produktu uz pilnvarotu pārstrādes punktu un sagatavojiet atkritumu šķirošanai. Elektriskās iekārtas ir jānogādā videi nekaitīgā pārstrādes rūpnīcā.

## KĻŪMJU NOVĒRŠANA

PROBLĒMA	CĒĻONIS	RISINĀJUMS
Dzinējs needarbojas.	<ul style="list-style-type: none"> <li>■ Instrumentgalvai nav uzstādīts akumulatora bloks.</li> <li>■ Starp instrumentgalvu un akumulatora bloku nav elektriskā savienojuma.</li> <li>■ Akumulatora bloks ir izlādējies.</li> <li>■ Vienlaikus nav nospiesta bloķēšanas poga un pārslēdzējs.</li> </ul>	<ul style="list-style-type: none"> <li>■ Uzstādiet instrumentgalvai akumulatora bloku.</li> <li>■ Izņemiet akumulatoru, pārbaudiet visus savienojumus un ievietojiet atpakaļ akumulatora bloku tā, lai tas nofiksētos vietā.</li> <li>■ Uzlādējiet akumulatora bloku, izmantojot šajā rokasgrāmatā norādītās EGO uzlādes ierīces.</li> <li>■ Nospiediet bloķēšanas sviru un turiet to, tad nospiediet pārslēdzēju, lai ieslēgtu auklas trimeri.</li> </ul>
Instrumentgalva pārtrauc darboties lietošanas laikā.	<ul style="list-style-type: none"> <li>■ Motora pārslodze.</li> <li>■ Akumulatora bloks vai instrumentgalva ir pārāk karsta.</li> <li>■ Akumulatora bloks ir atvienots no darbarīka.</li> <li>■ Akumulatora bloks ir izlādējies.</li> </ul>	<ul style="list-style-type: none"> <li>■ Dzinējs atkopsies, kad tiks apturēta jaudas padeve. Lai nodrošinātu nepārtrauktu darbību, samaziniet instrumentgalvas jaudu.</li> <li>■ Ļaujiet akumulatora blokam vai instrumentgalvai atdzist līdz temperatūra nokrītas zemāk par 67°C.</li> <li>■ Uzstādiet atpakaļ akumulatora bloku.</li> <li>■ Uzlādējiet akumulatora bloku, izmantojot šajā rokasgrāmatā norādītās EGO uzlādes ierīces.</li> </ul>
Nelīdzena mala	<ul style="list-style-type: none"> <li>■ Griezātā zāle vai augsne ir pārāk mitra.</li> <li>■ Asmens aizsargs ir nosprostojies.</li> </ul>	<ul style="list-style-type: none"> <li>■ Negrieziet slapju augsni vai slapja zāliena malas.</li> <li>■ Apturiet dzinēju, izņemiet akumulatora bloku un izņemiet grūzus no asmens aizsarga.</li> </ul>

LV

## GARANTĪJA

### EGO GARANTĪJAS POLITIKA

Lūdzu, apmeklējiet tīmekļa vietni [egopowerplus.eu](http://egopowerplus.eu), kur pieejama pilna EGO Garantijas politikas noteikumu un nosacījumu versija.

## ΔΙΑΒΑΣΤΕ ΟΛΕΣ ΤΙΣ ΟΔΗΓΙΕΣ!



### ΔΙΑΒΑΣΤΕ ΤΟ ΕΓΧΕΙΡΙΔΙΟ ΧΡΗΣΗΣ

**▲ ΠΡΟΕΙΔΟΠΟΙΗΣΗ:** Για να διασφαλίσετε την ασφάλεια και την αξιοπιστία, όλες οι επισκευές πρέπει να διεξάγονται από εξειδικευμένο τεχνικό του σέρβις.

## ΣΥΜΒΟΛΑ ΑΣΦΑΛΕΙΑΣ

Ο σκοπός των συμβόλων ασφαλείας είναι να σας τραβήξουν την προσοχή για ενδεχόμενους κινδύνους. Προσέξτε και κατανοήστε τα σύμβολα ασφαλείας και τις επεξηγήσεις που τα συνοδεύουν. Οι προειδοποιήσεις συμβόλων από μόνες τους δεν εξαλείφουν κανέναν κίνδυνο. Οι οδηγίες και οι προειδοποιήσεις που παρέχουν δεν υποκαθιστούν τα μέτρα σωστής πρόληψης ατυχημάτων.

**▲ ΠΡΟΕΙΔΟΠΟΙΗΣΗ:** Βεβαιωθείτε ότι έχετε διαβάσει και κατανοήσει όλες τις οδηγίες ασφαλείας στο παρόν Εγχειρίδιο χειριστή, συμπεριλαμβανομένων όλων των συμβόλων ασφαλείας όπως «**ΚΙΝΔΥΝΟΣ**», «**ΠΡΟΕΙΔΟΠΟΙΗΣΗ**» και «**ΠΡΟΣΟΧΗ**», προτού χρησιμοποιήσετε αυτό το εργαλείο. Η μη τήρηση όλων των παρακάτω οδηγιών μπορεί να οδηγήσει σε ηλεκτροπληξία, πυρκαγιά ή/και σοβαρό ατομικό τραυματισμό.

## ΣΗΜΑΣΙΑ ΣΥΜΒΟΛΩΝ

**▲ ΣΥΜΒΟΛΟ ΕΙΔΟΠΟΙΗΣΗΣ ΑΣΦΑΛΕΙΑΣ:**  
Υποδηλώνει **ΚΙΝΔΥΝΟ**, **ΠΡΟΕΙΔΟΠΟΙΗΣΗ** ή **ΠΡΟΣΟΧΗ**. Μπορεί να χρησιμοποιείται σε συνδυασμό με άλλα σύμβολα ή εικονογράμματα.









**▲ ΠΡΟΕΙΔΟΠΟΙΗΣΗ:** Η λειτουργία ηλεκτρικών εργαλείων μπορεί να επιφέρει εκτόξευση ξένων αντικειμένων στα μάτια σας, με αποτέλεσμα σοβαρή βλάβη σε αυτά. Προτού ξεκινήσετε τη λειτουργία του ηλεκτρικού εργαλείου φοράτε πάντα προστατευτικά γυαλιά ή γυαλιά με πλευρική προστασία και εφόσον απαιτείται πλήρη προστατευτική προσωπίδα. Συστήνουμε μια προσωπίδα ασφαλείας ευρείας όρασης για χρήση πάνω από γυαλιά ή συνήθη προστατευτικά γυαλιά με πλευρική προστασία.

## ΟΔΗΓΙΕΣ ΑΣΦΑΛΕΙΑΣ

Αυτή η σελίδα απεικονίζει και περιγράφει τα σύμβολα ασφαλείας που υπάρχουν ενδεχομένως σε αυτό το προϊόν. Διαβάστε, κατανοήστε και ακολουθείτε όλες τις οδηγίες στη μηχανή προτού προσαρτηθείτε να διεξάγετε εργασίες συναρμολόγησης και λειτουργίας.

	Ειδοποίηση ασφαλείας	Υποδηλώνει ενδεχόμενο κίνδυνο ατομικού τραυματισμού.
	Διαβάστε το εγχειρίδιο χρήσης	Προκειμένου να μειωθεί ο κίνδυνος τραυματισμού, ο χρήστης πρέπει να διαβάσει και να κατανοήσει το εγχειρίδιο χρήσης προτού χρησιμοποιήσει αυτό το προϊόν.
	Να φοράτε προστασία για την ακοή και τα μάτια	Φοράτε πάντοτε προστατευτικά γυαλιά ή γυαλιά ασφαλείας με πλευρική προστασία και πλήρη προστατευτική προσωπίδα κατά τη λειτουργία αυτού του προϊόντος.
	Μήκος λεπίδας ακροκόφτη	Μήκος λεπίδας ακροκόφτη
	Δι-ατη-ρείτε μακρ-ιά τους παρε-υρ-ισκομ-ένους	Η απόσταση μεταξύ του μηχανήματος και παριστάμενων πρέπει να είναι τουλάχιστον 15 m.
	Κατεύθυνση περιστροφής της λεπίδας ακροκόφτη	Υποδηλώνει την κατεύθυνση της περιστροφής λεπίδας ακροκόφτη.
	Αντικείμενα που πετούνται	Επιθεωρήστε με προσοχή την επιφάνεια στην οποία πρόκειται να χρησιμοποιηθεί ο εξοπλισμός και απομακρύνετε όλες τις πέτρες, κλαδάκια, σύρματα, κόκαλα και άλλα ξένα αντικείμενα.
	Φοράτε υποδήματα ασφαλείας	Φοράτε αντιολισθητικά υποδήματα ασφαλείας όταν χρησιμοποιείτε αυτό τον εξοπλισμό.
	Περιστρεφόμενη λεπίδα κοπής	Μην τοποθετείτε τα χέρια ή τα πόδια κοντά σε ή κάτω από περιστρεφόμενα εξαρτήματα.

GR

	Διατηρείτε επαρκή απόσταση προς γραμμές ηλεκτρικού	Για να εμποδίσετε ηλεκτροπληξία μη θέτετε σε λειτουργία εντός 15 μ. από υπερωρυμμένα καλώδια ρεύματος. Η επαφή ή η χρήση κοντά σε γραμμές ηλεκτρικού μπορεί να προκαλέσει σοβαρό τραυματισμό ή ηλεκτροπληξία με αποτέλεσμα θάνατο.
	CE	Αυτό το προϊόν συμφώνει με τις ισχύουσες οδηγίες της ΕΚ.
	UKCA	Αυτό το προϊόν συμμορφώνεται με την ισχύουσα νομοθεσία του ΗΒ.
	ΑΗΗΕ (WEEE)	Τα άχρηστα ηλεκτρικά προϊόντα δεν πρέπει να απορρίπτονται στα οικιακά απόβλητα. Παραδίδετέ τα σε μια εξουσιοδοτημένη εταιρεία ανακύκλωσης.
	Θόρυβος	Εγγυημένη στάθμη ηχητικής ισχύος. Εκπομπές θορύβου στο περιβάλλον σύμφωνα με την οδηγία της Ευρωπαϊκής Ένωσης.
V	Volt	Τάση
mm	Χιλιοστό	Μήκος ή διαστάσεις
cm	Εκατοστό	Μήκος ή διαστάσεις
kg	Κιλό	Βάρος
	Συνεχές ρεύμα	Τύπος ή χαρακτηριστικό του ρεύματος

GR

## ΓΕΝΙΚΕΣ ΠΡΟΕΙΔΟΠΟΙΗΣΕΙΣ ΑΣΦΑΛΕΙΑΣ ΜΗΧΑΝΩΝ

**▲ ΠΡΟΕΙΔΟΠΟΙΗΣΗ:** Μελετήστε όλες τις προειδοποιήσεις ασφάλειας, τις οδηγίες, τις εικόνες και τις προδιαγραφές που συνοδεύουν αυτή τη μηχανή. Εάν δεν τηρηθούν όλες οι οδηγίες που αναφέρονται παρακάτω, μπορεί να προκληθεί ηλεκτροπληξία, πυρκαγιά και/ή σοβαρός τραυματισμός.

**Φυλαξτε όλες τις προειδοποιήσεις και τις οδηγίες για μελλοντική αναφορά.**

ο όρος «μηχανή» στις προειδοποιήσεις αναφέρεται στη μηχανή σας που λειτουργεί με ρεύμα (ενσύρματη) ή μπαταρία (ασύρματη).

## ΑΣΦΑΛΕΙΑ ΣΤΟ ΧΩΡΟ ΕΡΓΑΣΙΑΣ

- Διατηρείτε την περιοχή εργασίας καθαρή και καλά φωτισμένη. Οι ακατάστατοι χώροι και οι χώροι με κακό φωτισμό ενισχύουν την πιθανότητα ατυχημάτων.
- Μην χρησιμοποιείτε μηχανές σε εκρηκτικές ατμόσφαιρες, για παράδειγμα, παρουσία εύφλεκτων υγρών, αερίων ή σκόνης. Οι μηχανές δημιουργούν σπινθήρες που μπορεί να αναφλέξουν σκόνη ή αναθυμιάσεις.
- Διατηρείτε τα παιδιά και τους παρευρισκόμενους μακριά, όταν χρησιμοποιείτε τη μηχανή. Εάν κάτι αποσπάσει την προσοχή σας, μπορεί να χάσετε τον έλεγχο.

## ΗΛΕΚΤΡΙΚΗ ΑΣΦΑΛΕΙΑ

- Το φως της μηχανής πρέπει να ταιριάζει στην πρίζα. Μην τροποποιήσετε ποτέ και με κανέναν τρόπο το φως. Μην χρησιμοποιείτε κανενός είδους προσαρμογείς πριζών με γειωμένες μηχανές. Τα μη τροποποιημένα φως και οι κατάλληλες πριζές μειώνουν τον κίνδυνο ηλεκτροπληξίας.
- Αποφεύγετε την επαφή με γειωμένες επιφάνειες, όπως σωλήνες, θερμοαντικά σώματα, εστίες και ψυγεία. Υπάρχει αυξημένος κίνδυνος ηλεκτροπληξίας όταν το σώμα σας είναι γειωμένο.
- Μην χρησιμοποιείτε το μηχάνημα υπό βροχή ή υγρές συνθήκες. Η εισχώρηση νερού στο μηχάνημα μπορεί να αυξήσει τον κίνδυνο ηλεκτροπληξίας ή δυσλειτουργίας, οδηγώντας σε τραυματισμό.
- Μην κακομεταχειρίζεστε το καλώδιο. Μην χρησιμοποιείτε ποτέ το καλώδιο για να μεταφέρετε, να τραβήξετε ή να αποσυνδέσετε τη μηχανή από την πρίζα. Διατηρείτε το καλώδιο μακριά από θερμότητα, λάδια, αιχμηρές γωνίες ή κινούμενα εξαρτήματα. Τα κατεστραμμένα ή μπλεγμένα καλώδια αυξάνουν τον κίνδυνο ηλεκτροπληξίας.
- Όταν χρησιμοποιείτε μια μηχανή σε εξωτερικό χώρο, χρησιμοποιείτε καλώδιο προέκτασης κατάλληλο για χρήση σε εξωτερικούς χώρους. Τα καλώδια που είναι κατάλληλα για εξωτερικούς χώρους περιορίζουν τον κίνδυνο ηλεκτροπληξίας.
- Εφόσον δεν μπορείτε να αποφύγετε τη χρήση της μηχανής σε περιοχή με υγρασία, χρησιμοποιείτε τροφοδοσία με διακόπτη κυκλώματος βλάβης γείωσης (GFCI). Η χρήση ενός διακόπτη κυκλώματος βλάβης γείωσης περιορίζει τον κίνδυνο ηλεκτροπληξίας.

## ΠΡΟΣΩΠΙΚΗ ΑΣΦΑΛΕΙΑ

- Να βρίσκεστε πάντα σε εγρήγορση, να προσέχετε τι κάνετε και να εφαρμόζετε κοινή λογική όταν χρησιμοποιείτε μηχανή. Μην χρησιμοποιείτε καμία μηχανή όταν είστε κουρασμένοι ή υπό την επήρεια ναρκωτικών, αλκοόλ ή φαρμάκων. Μια στιγμή απροσεξίας κατά τη χρήση μηχανής μπορεί να οδηγήσει σε σοβαρό τραυματισμό.

- **Χρησιμοποιείτε μέσα ατομικής προστασίας. Φοράτε πάντα προστατευτικά για τα μάτια.** Η χρήση των κατάλληλων μέσων ατομικής προστασίας, όπως, μάσκας προστασίας από τη σκόνη, αντιολισθητικών παπουτσιών ασφαλείας, κράνους ή υψοασπίδων, μειώνει τον κίνδυνο τραυματισμού.
- **Λαμβάνετε μέτρα για να μην ενεργοποιηθεί κατά λάθος η συσκευή. Βεβαιώνετε ότι ο διακόπτης βρίσκεται στη θέση απενεργοποίησης προτού συνδέσετε τη μηχανή στην παροχή ρεύματος ή/ και στη συστοιχία μπαταριών, ή όταν σηκώνετε ή μεταφέρετε τη μηχανή.** Μην μεταφέρετε μηχανές έχοντας το δάκτυλο πάνω στο διακόπτη και μην τις συνδέετε στην παροχή ρεύματος με ενεργοποιημένο το διακόπτη, διότι αυξάνεται ο κίνδυνος ατυχήματος.
- **Προτού ενεργοποιήσετε τη μηχανή, απομακρύνετε κάθε εργαλείο ή κλειδί ρύθμισης.** Εάν το εργαλείο ή το κλειδί ρύθμισης παραμείνει επάνω στο περιστρεφόμενο μέρος της μηχανής, μπορεί να προκληθεί τραυματισμός.
- **Μην τεντώνετε υπερβολικά για να πραγματοποιήσετε την εργασία. Πατάτε πάντα σταθερά και διατηρείτε την ισορροπία σας.** Έτσι θα ελέγχετε καλύτερα τη μηχανή, σε περίπτωση απροσδόκτων καταστάσεων.
- **Φοράτε κατάλληλα ρούχα. Μην φοράτε φαρδιά ρούχα ή κοσμήματα. Διατηρείτε τα μαλλιά και τα ρούχα σας μακριά από κινούμενα μέρη.** Τα φαρδιά ρούχα, τα κοσμήματα ή τα μαλλιά μαλλιά ενδέχεται να εμπλακούν σε κινούμενα μέρη.
- **Εάν υπάρχει δυνατότητα σύνδεσης συσκευών απομάκρυνσης και συλλογής σκόνης, βεβαιωθείτε ότι αυτές οι συσκευές έχουν συνδεθεί και χρησιμοποιούνται σωστά.** Αυτές οι συσκευές μπορούν να περιορίσουν τους κινδύνους που σχετίζονται με τη σκόνη.
- **Ακόμα κι εάν χρησιμοποιείτε συχνά μηχανές, μην εφησυχάζετε και μην παραβλέπετε τις βασικές αρχές ασφαλείας.** Μια στιγμή απροσεξίας μπορεί να οδηγήσει σε σοβαρό τραυματισμό.
- **Αποσυνδέετε το φις από την πηγή ρεύματος και/ή αφαιρείτε τη συστοιχία μπαταριών, εφόσον είναι αποσπώμενη, από τη μηχανή προτού κάνετε οποιαδήποτε ρύθμιση, αλλάξτε παρελκόμενα ή αποθηκεύσετε τη μηχανή.** Αυτά τα προληπτικά μέτρα ασφαλείας μειώνουν τον κίνδυνο ακούσιας εκκίνησης της μηχανής.
- **Εφόσον δεν τη χρησιμοποιείτε, αποθηκεύετε τη μηχανή σε σημείο όπου δεν έχουν πρόσβαση τα παιδιά και μην επιτρέπετε σε άτομα που δεν είναι εξοικειωμένα με αυτήν ή με αυτές τις οδηγίες να τη χρησιμοποιήσουν.** Οι μηχανές είναι επικίνδυνες στα χέρια ατόμων που δεν έχουν εκπαιδευτεί στη χρήση τους.
- **Συντήρηση μηχανών και παρελκόμενων. Ελέγχετε για κακή ευθυγράμμιση ή εμπλοκή των κινούμενων εξαρτημάτων, για σπασμένα εξαρτήματα και για κάθε άλλη κατάσταση που μπορεί να επηρεάσει τη λειτουργία της μηχανής. Σε περίπτωση ζημιάς, επισκευάστε τη μηχανή πριν από τη χρήση.** Πολλά ατυχήματα προκαλούνται εξαιτίας πλημμελώς συντηρημένων μηχανών.
- **Διατηρείτε τις μηχανές κοπής κοφτερές και καθαρές.** Οι μηχανές κοπής που συντηρούνται σωστά και διαθέτουν αιχμηρές κόψεις είναι λιγότερο πιθανό να μπλοκάρουν, ενώ είναι ευκολότερες στο χειρισμό.
- **Χρησιμοποιείτε τη μηχανή, τα παρελκόμενα, τις μύτες, κτλ., σύμφωνα με αυτές τις οδηγίες, λαμβάνοντας υπόψη τις συνθήκες εργασίας και την προς εκτέλεση εργασία.** Η χρήση της μηχανής για σκοπούς διαφορετικούς από τους προβλεπόμενους μπορεί να οδηγήσει σε επικίνδυνες καταστάσεις.
- **Διατηρείτε τις λαβές και τις επιφάνειες συγκράτησης στεγνές και καθαρές, χωρίς λάδια και γράσα.** Εάν οι λαβές και οι επιφάνειες συγκράτησης είναι ολισθηρές δεν θα μπορέσετε να χειριστείτε με ασφάλεια τη μηχανή, ούτε θα μπορέσετε να την ελέγξετε σε περίπτωση που προκύψει κάποια απροσδόκητη κατάσταση.

**GR**

#### ΧΡΗΣΗ ΚΑΙ ΦΡΟΝΤΙΔΑ ΤΟΥ ΜΗΧΑΝΗΜΑΤΟΣ

- **Μην πιέζετε το μηχανήμα. Χρησιμοποιήστε τη σωστή μηχανή για την εκάστοτε εργασία.** Η εργασία θα πραγματοποιηθεί καλύτερα και ασφαλέστερα εάν χρησιμοποιηθεί η κατάλληλη μηχανή και στην ταχύτητα για την οποία έχει σχεδιαστεί.
- **Μην χρησιμοποιείτε τη μηχανή εάν δεν μπορείτε να την ενεργοποιήσετε και να την απενεργοποιήσετε από το διακόπτη.** Οποιαδήποτε μηχανή δεν μπορεί να ελεγχθεί με το διακόπτη είναι επικίνδυνη και πρέπει να επισκευαστεί.

#### ΧΡΗΣΗ ΚΑΙ ΦΡΟΝΤΙΔΑ ΜΗΧΑΝΩΝ ΜΠΑΤΑΡΙΑΣ

- **Επαναφορτίζετε το ηλεκτρικό εργαλείο μόνο με το φορτιστή που έχει καθορίσει ο κατασκευαστής.** Οι φορτιστές που είναι κατάλληλοι για έναν συγκεκριμένο τύπο συστοιχίας μπαταριών μπορεί να προκαλέσουν πυρκαγιά εάν χρησιμοποιηθούν για κάποιον άλλον τύπο.
- **Χρησιμοποιείτε τη μηχανή μόνο με τις συστοιχίες μπαταριών που προορίζονται ειδικά για αυτήν.** Εάν χρησιμοποιηθεί οποιαδήποτε άλλη συστοιχία μπαταριών, μπορεί να προκληθεί τραυματισμός και πυρκαγιά.

- Όταν η συστοιχία μπαταριών δεν χρησιμοποιείται, φυλάσσετε την μακριά από μεταλλικά αντικείμενα, όπως, συνδετήρες, κέρματα, κλειδιά, καρφιά, βίδες ή άλλα μικρά μεταλλικά αντικείμενα, τα οποία μπορεί να δημιουργήσουν σύνδεση μεταξύ των ακροδεκτών. Το βραχυκύκλωμα των ακροδεκτών της συστοιχίας μπαταριών μεταξύ τους ενδέχεται να προκαλέσει εγκαύματα ή πυρκαγιά.
- Σε συνθήκες κακής χρήσης, μπορεί να διαρρέυσει υγρό από τη συστοιχία μπαταριών. Αποφύγετε την επαφή με αυτό. Σε περίπτωση τυχαίας επαφής, ξεπλύνετε καλά με νερό. Εάν το υγρό έρθει σε επαφή με τα μάτια, αναζητήστε επιπλέον ιατρική βοήθεια. Το υγρό που διαρρέει από τη συστοιχία μπαταριών μπορεί να προκαλέσει ερεθισμό ή εγκαύματα.
- Μην χρησιμοποιείτε τη συστοιχία μπαταριών ή τη μηχανή εάν έχουν υποστεί ζημιά ή έχουν τροποποιηθεί. Οι συστοιχίες μπαταριών που έχουν υποστεί ζημιά ή έχουν τροποποιηθεί μπορεί να έχουν απρόβλεπτη συμπεριφορά και να προκαλέσουν πυρκαγιά, έκρηξη ή τραυματισμό.
- Μην εκθέτετε τη συστοιχία μπαταριών ή τη μηχανή σε φωτιά ή υπερβολικά υψηλές θερμοκρασίες. Η έκθεση σε φωτιά ή θερμοκρασία πάνω από 130 °C μπορεί να προκαλέσει έκρηξη.
- Τηρείτε όλες τις οδηγίες φόρτισης και μη φορτίζετε τη συστοιχία μπαταριών ή τη μηχανή εκτός του εύρους θερμοκρασίας που καθορίζεται στις οδηγίες. Εάν η φόρτιση δε γίνει σωστά ή πραγματοποιηθεί σε θερμοκρασία εκτός του καθορισμένου εύρους, η συστοιχία μπαταριών μπορεί να υποστεί ζημιά και να αυξηθεί ο κίνδυνος πυρκαγιάς.

## ΣΗΜΑΝΤΙΚΕΣ ΟΔΗΓΙΕΣ ΑΣΦΑΛΕΙΑΣ

GR

**⚠️ ΠΡΟΕΙΔΟΠΟΙΗΣΗ:** Όταν χρησιμοποιείτε χλοοκοπτικά με νήμα θα πρέπει να τηρείτε τις βασικές προφυλάξεις ασφάλειας, έτσι ώστε να ελαχιστοποιηθεί ο κίνδυνος πυρκαγιάς, ηλεκτροπληξίας και σωματικών βλαβών, συμπεριλαμβανομένων και των ακόλουθων.

## ΔΙΑΒΑΣΤΕ ΠΡΟΣΕΚΤΙΚΑ ΠΡΙΝ ΑΠΟ ΤΗ ΧΡΗΣΗ

## ΦΥΛΑΞΤΕ ΓΙΑ ΜΕΛΛΟΝΤΙΚΗ ΧΡΗΣΗ

**⚠️ ΚΙΝΔΥΝΟΣ:** Μην επαναπαύεστε στη μόνωση του εργαλείου έναντι ηλεκτροπληξίας. Για τη μείωση κινδύνου ηλεκτροπληξίας ποτέ μη χειρίζεστε το μηχανήμα κοντά σε σύρματα ή καλώδια (ρεύματος κ.λπ.) τα οποία μπορεί να φέρουν ηλεκτρικό ρεύμα.

**⚠️ ΠΡΟΦΥΛΑΞΗ:** Φοράτε κατάλληλη απομική προστασία ακοής κατά τη χρήση. Υπό ορισμένες συνθήκες και χρονικές διάρκειες χρήσης, ο θόρυβος από αυτό το προϊόν μπορεί να συνεισφέρει σε απώλεια της ακοής.

## Εκπαίδευση

- Διαβάστε με προσοχή όλες τις οδηγίες. Εξοικειωθείτε με τα χειριστήρια και τη σωστή χρήση του μηχανήματος.
- Ποτέ μην επιτρέπετε σε παιδιά, άτομα με μειωμένες φυσικές, αισθητηριακές ή νοητικές δυνατότητες ή με έλλειψη εμπειρίας και γνώσεων ή σε άτομα μη εξοικειωμένα με αυτές τις οδηγίες, να χρησιμοποιούν το μηχανήμα.
- Μην κόβετε ποτέ σε άκρες όταν υπάρχουν κοντά άνθρωποι, ιδιαίτερα παιδιά ή κατοικίδια ζώα.
- Έχετε υπόψη σας ότι ο χειριστής ή ο χρήστης είναι αποκλειστικά υπεύθυνος για ατυχήματα ή κινδύνους που προκύπτουν προς άλλα άτομα ή την περιουσία τους.

## Προετοιμασία

- Όταν κόβετε σε άκρες φοράτε πάντα προστασία για τα μάτια και την ακοή, τα βασικά υποδήματα και μακριά παντελόνια.
- Επιθεωρήστε με προσοχή την επιφάνεια στην οποία πρόκειται να χρησιμοποιηθεί ο εξοπλισμός και απομακρύνετε όλες τις πέτρες, κλαδάκια, σύρματα, κόκαλα και άλλα ξένα αντικείμενα.
- Πριν από τη χρήση, να επιθεωρείτε πάντα οπτικά για να ελέγχετε αν οι λεπίδες, τα μπουλόνια λεπίδας και το εξάρτημα κοπής δεν έχουν υποστεί φθορά ή βλάβη. Να αντικαθιστάτε φθαρμένες ή κατεστραμμένες λεπίδες και βίδες ταυτόχρονα ώστε να διασφαλίσετε την ισορροπία.

## Λειτουργία

- Κόβετε στις άκρες μόνο στο φως τις ημέρας ή κάτω από δυνατό τεχνητό φωτισμό.
- Πατάτε πάντα σταθερά πάνω σε επικλινές έδαφος.
- Περπατάτε, μην τρέχετε ποτέ.
- Προσέχετε ιδιαίτερα όταν κινείτε τον ακροκόφτη προς τα πίσω ή τον τραβάτε προς το μέρος σας.
- Βεβαιωθείτε ότι η λεπίδα έχει σταματήσει προτού διασχιστεί επιφάνειες διαφορετικές από γρασίδι και κατά τη μεταφορά του ακροκόφτη από και προς τον τομέα όπου θα κόψετε άκρες.
- Ποτέ μη χειρίζεστε τον ακροκόφτη με ελαττωματικά, ελλιπή ή λάθος τοποθετημένα προστατευτικά.



- Μην αλλάζετε τις ρυθμίσεις του ρυθμιστή στροφών κινητήρα ή κάνετε υπέρβαση ταχύτητας του μοτέρ.
- Ενεργοποιήστε το διακόπτη στο μοτέρ προσεκτικά, σύμφωνα με τις οδηγίες και έχοντας τα πόδια σας αρκετά μακριά από τις λεπίδες.
- Μη γέρνετε όταν ενεργοποιείτε τον κινητήρα, εκτός εάν ο ακροκόφτης πρέπει να γείρει για την εκκίνηση. Σε αυτή την περίπτωση μην τον γέρνετε περισσότερο από αυτό που απαιτείται επακριβώς και ανυψώνετε μόνο το τμήμα που είναι μακριά από το χειριστή.
- Μην εκκινήσετε το μοτέρ όταν υπάρχουν παρευρισκόμενοι μπροστά από την (τις) λεπίδα(ες).
- Μην τοποθετείτε τα χέρια ή τα πόδια κοντά σε ή κάτω από περιστρεφόμενα εξαρτήματα.
- Απενεργοποιείτε πάντα το μοτέρ και αποσυνδέετε από τη μπαταρία:
  - 1) Πριν καθαρίσετε ένα μπλοκάρισμα,
  - 2) Πριν κάνετε έλεγχο, καθαρισμό ή άλλη εργασία στην (στις) λεπίδα(ες),
  - 3) Αφού χτυπήσετε ένα άγνωστο αντικείμενο: Επιθεωρήστε τη (τις) λεπίδα(ες) για τυχόν ζημιά και, αν χρειαστεί, επισκευάστε πριν ξεκινήσετε πάλι τη λειτουργία του ακροκόφτη και τον χρησιμοποιήσετε,
  - 4) Εάν ο ακροκόφτης αρχίσει να δονείται αφύσισμα (ελέγξτε αμέσως).
- Σταματάτε το μοτέρ όποτε αποχωρείτε από τον ακροκόφτη.
- Μη φορτίζετε την μπαταρία στη βροχή ή σε υγρές τοποθεσίες.
- Να χρησιμοποιείται μόνο με τις συστοιχίες μπαταριών και τους φορτιστές που αναφέρονται στην εικ. Α.
- Η συστοιχία μπαταριών πρέπει να απομακρυνθεί από τη συσκευή πριν την απόρριψη της τελευταίας.
- Η μπαταρία πρέπει να απορρίπτεται με ασφάλεια.
- Μην απορρίπτετε τις μπαταρίες στη φωτιά. Τα στοιχεία μπορεί να εκραγούν. Ελέγχετε τους τοπικούς κώδικες για πιθανές ειδικές οδηγίες απόρριψης.
- Μην ανοίγετε ή παραμορφώνετε τη μπαταρία. Ο ηλεκτρολύτης που αποδεσμεύεται είναι διαβρωτικός και μπορεί να προκαλέσει βλάβη στα μάτια ή το δέρμα. Μπορεί να είναι τοξικός εάν καταποθεί.
- Να είστε προσεκτικοί κατά το χειρισμό μπαταριών ώστε να μην βραχυκυκλωθεί η μπαταρία με αγωγίμα υλικά όπως δαχτυλίδια, βραχιόλια και κλειδιά. Η μπαταρία ή ο αγωγός μπορεί να υπερθερμανθούν και να προκαλέσουν εγκαύματα.

- Τα εργαλεία μπαταρίας δεν πρέπει να συνδέονται σε ηλεκτρική πρίζα. Γι' αυτό βρίσκονται πάντα σε κατάσταση λειτουργίας. Προσέχετε πιθανούς κινδύνους ακόμα και όταν το εργαλείο δεν λειτουργεί. Προσέχετε όταν διεξάγετε συντήρηση ή σέρβις.
- Μην πλένετε με εύκαμπο σωλήνα. Αποφεύγετε να εισέρχεται νερό στον κινητήρα και στις ηλεκτρικές συνδέσεις.

### Συντήρηση και αποθήκευση

- Διατηρείτε όλα τα παζμιάδια, τα περικόχλια και τις βίδες καλά σφιγμένα, έτσι ώστε να εξασφαλιστεί η ασφαλής λειτουργία του εξοπλισμού.
- Αντικαθιστάτε τα φθαρμένα ή κατεστραμμένα εξαρτήματα.
- Μην επιχειρήσετε να επισκευάσετε το μηχάνημα μόνοι σας εκτός αν είστε εκπαιδευμένοι γι' αυτό.
- Χρησιμοποιείτε μόνο ανταλλακτικά και εξαρτήματα που συνιστώνται από τον κατασκευαστή.
- Αποσυνδέετε το μηχάνημα από τη μπαταρία πριν διεξάγετε εργασίες συντήρησης ή καθαρισμού.
- Ελέγχετε και συντηρείτε τακτικά το μηχάνημα. Οι επισκευές του μηχανήματος πρέπει πάντα να πραγματοποιούνται από ένα εξουσιοδοτημένο κέντρο επισκευής.
- Όταν δεν χρησιμοποιείτε το μηχάνημα, αποθηκευτέ το σε μέρος όπου δεν πλησιάζουν παιδιά.
- Εάν προκύψουν καταστάσεις που δεν καλύπτονται στο παρόν εγχειρίδιο, να είστε προσεκτικοί και να κρίνετε σωστά. Επικοινωνήστε με το κέντρο σέρβις της EGO για βοήθεια.
- Φυλάξτε αυτές τις οδηγίες. Ανατρέχετε σε αυτές συχνά και χρησιμοποιείτε τις για να εκπαιδεύετε άλλους που μπορεί να χρησιμοποιήσουν το εργαλείο. Εάν δανείσετε αυτό το εργαλείο σε κάποιον άλλο, δανείστε και αυτές τις οδηγίες, ώστε να εμποδίσετε εσφαλμένη χρήση του προϊόντος και πιθανό τραυματισμό.

GR

### ΦΥΛΑΞΤΕ ΑΥΤΕΣ ΤΙΣ ΟΔΗΓΙΕΣ!

**ΣΗΜΕΙΩΣΗ: ΔΕΙΤΕ ΤΟ ΕΓΧΕΙΡΙΔΙΟ ΧΡΗΣΗΣ ΤΗΣ ΗΛΕΚΤΡΙΚΗΣ ΣΑΣ ΚΕΦΑΛΗΣ ΓΙΑ ΕΠΙΠΡΟΣΘΕΤΟΥΣ ΕΙΔΙΚΟΥΣ ΚΑΝΟΝΕΣ ΑΣΦΑΛΕΙΑΣ.**

### ΠΡΟΔΙΑΓΡΑΦΕΣ

Μήκος λεπίδας	20 εκ
Βάθος κοπής άκρων	Έως 75 χιλ.
Βάρος	2,26 κιλά
Θερμοκρασία λειτουργίας	-15°C - 40°C

Θερμοκρασία αποθήκευσης	-20°C - 70°C	
Μετρημένη στάθμη ηχητικής ισχύος $L_{WA}$	92,4 dB(A) K=2,07 dB(A) (PH1400E)	
	90,7 dB(A) K=1,46 dB(A) (PH1420E)	
	90 dB(A) K=1,3 dB(A) (PHX1600)	
Στάθμη ηχητικής πίεσης στη θέση χειριστή $L_{PA}$	79,8 dB(A) K=3 dB(A) (PH1400E)	
	81,2 dB(A) K=3 dB(A) (PH1420E)	
	84 dB(A) K=3 dB(A) (PHX1600)	
Εγγυημένο επίπεδο ισχύος ήχου $L_{WA}$ (σύμφωνα με 2000/14/EC)	95 dB(A)	
Δονήσεις $a_h$	Λαβή μπροστινής υποβοήθησης	1,2 m/s <sup>2</sup> K=1,5 m/s <sup>2</sup> (PH1400E)
		1,95 m/s <sup>2</sup> K=1,5 m/s <sup>2</sup> (PH1420E)
		1,6 m/s <sup>2</sup> K=1,5 m/s <sup>2</sup> (PHX1600)
	Μπροστινή λαβή	2,2 m/s <sup>2</sup> K=1,5 m/s <sup>2</sup> (PH1400E)
		1,66 m/s <sup>2</sup> K=1,5 m/s <sup>2</sup> (PH1420E)
		1,53 m/s <sup>2</sup> K=1,5 m/s <sup>2</sup> (PHX1600)

- Οι παραπάνω παράμετροι έχουν ελεγχθεί και μετρηθεί με εξοπλισμό ηλεκτρικής κεφαλής PH1400E/PH1420E/PHX1600;
- Η αναφερόμενη συνολική τιμή κραδασμών έχει μετρηθεί σύμφωνα με την πρότυπη μέθοδο ελέγχου και μπορεί να χρησιμοποιηθεί για τη σύγκριση ενός εργαλείου με κάποιο άλλο.

- Η αναφερόμενη συνολική τιμή κραδασμών μπορεί να χρησιμοποιηθεί επίσης για την προκαταρκτική αξιολόγηση της έκθεσης.

**ΣΗΜΕΙΩΣΗ:** Οι εκπομπές κραδασμών κατά τη διάρκεια της πραγματικής χρήσης του ηλεκτρικού εργαλείου μπορεί να διαφέρουν από τη δηλωμένη τιμή στην οποία χρησιμοποιείται το εργαλείο. Για την προστασία του χειριστή, πρέπει να χρησιμοποιούνται γάντια και προστασία της ακοής στις πραγματικές συνθήκες χρήσης.

## ΚΑΤΑΛΟΓΟΣ ΕΞΑΡΤΗΜΑΤΩΝ ΣΥΣΚΕΥΑΣΙΑΣ

ΟΝΟΜΑ ΕΞΑΡΤΗΜΑΤΟΣ	ΠΟΣΟΤΗΤΑ
Προσάρτημα ακροκόφτη	1
Εξάγωνο κλειδί	1
Κλειδί πολλαπλών λειτουργιών	1
Ασφαλιστική περόνη	2
Εγχειρίδιο χρήσης	1

### Προτεινόμενη λεπίδα

ΟΝΟΜΑ ΕΞΑΡΤΗΜΑΤΟΣ	ΑΡΙΘΜΟΣ ΜΟΝΤΕΛΟΥ
Λεπίδα ακροκόφτη	ΑΕΒ0800

## ΠΕΡΙΓΡΑΦΗ

### ΓΝΩΡΙΣΤΕ ΤΟ ΠΡΟΣΑΡΤΗΜΑ ΑΚΡΟΚΟΦΤΗ (Εικ. Α)

1. Τερματικό πάμα
2. Αξονας ακροκόφτη
3. Προστατευτικό λεπίδας
4. Λεπίδα
5. Κουμπί ρύθμισης βάθους
6. Τροχός οδήγησης
7. Εξάγωνο κλειδί
8. Κλειδί πολλαπλών λειτουργιών
9. Καθοδηγητική μπάρα ρύθμισης βάθους
10. Κλαπέτο υπολειμμάτων
11. Ασφαλιστική περόνη
12. Βίδα για ασφάλιση πλάκας οδήγησης στη σωστή θέση
13. Πλάκα οδήγησης

GR

## ΣΥΝΑΡΜΟΛΟΓΗΣΗ

**⚠ ΠΡΟΕΙΔΟΠΟΙΗΣΗ:** Σε περίπτωση που κάποια από τα εξαρτήματα έχουν υποστεί ζημιά ή λείπουν, μη χρησιμοποιήσετε το μηχάνημα, μέχρι να αντικατασταθούν. Η χρήση αυτού του προϊόντος με φθαρμένα ή ελλιπή εξαρτήματα μπορεί να έχει σαν αποτέλεσμα σοβαρό ατομικό τραυματισμό.

**⚠ ΠΡΟΕΙΔΟΠΟΙΗΣΗ:** Μην επιχειρήσετε να τροποποιήσετε αυτό το εργαλείο ή να χρησιμοποιήσετε εξαρτήματα που δεν συστήνονται για χρήση με αυτό το χλοοκοπτικό με νήμα. Οποιαδήποτε τέτοια μετατροπή ή τροποποίηση μπορεί να προκαλέσει επικίνδυνες συνθήκες με επακόλουθο σοβαρό τραυματισμό

**⚠ ΠΡΟΕΙΔΟΠΟΙΗΣΗ:** Για να εμποδίσετε τυχαία εκκίνηση που θα μπορούσε να προκαλέσει σοβαρό τραυματισμό, απομακρύνετε πάντα τη συστοιχία μπαταριών από τη μηχανή όταν συναρμολογείτε εξαρτήματα.

**⚠ ΠΡΟΕΙΔΟΠΟΙΗΣΗ:** Φοράτε πάντα γάντια κατά την προσάρτηση ή αντικατάσταση της καλύπτρας. Προσέχετε τη λεπίδα της καλύπτρας και προστατεύετε το χέρι σας από κοπή.

**⚠ ΠΡΟΕΙΔΟΠΟΙΗΣΗ:** Μην χρησιμοποιήσετε ποτέ τη μηχανή χωρίς να είναι καλά τοποθετημένη η καλύπτρα. Η καλύπτρα πρέπει να βρίσκεται πάντα προσαρτημένη στη μηχανή για την προστασία του χρήστη! Εφόσον έχει προσαρτηθεί η καλύπτρα, μην επιχειρήσετε ποτέ να την αφαιρέσετε ή να τη ρυθμίσετε. Εφόσον απαιτηθεί αντικατάσταση, αυτή θα πρέπει να διεξαχθεί από εξειδικευμένο τεχνικό σέρβις!

## ΣΥΝΔΕΣΗ ΤΟΥ ΠΡΟΣΑΡΤΗΜΑΤΟΣ ΑΚΡΟΚΟΦΤΗ ΣΤΗΝ ΗΛΕΚΤΡΙΚΗ ΚΕΦΑΛΗ

Το προσάρτημα ακροκόφτη έχει σχεδιαστεί για χρήση με την ηλεκτρική κεφαλή λιθίου - ιόντων EGO 56 V PH1400E/PH1420E/PHX1600.

Δείτε το απόσπασμα «ΕΓΚΑΤΑΣΤΑΣΗ ΕΝΟΣ ΠΡΟΣΑΡΤΗΜΑΤΟΣ ΣΤΗΝ ΗΛΕΚΤΡΙΚΗ ΚΕΦΑΛΗ» στο εγχειρίδιο χρήσης της ηλεκτρικής κεφαλής PH1400E/PH1420E/PHX1600.

## ΛΕΙΤΟΥΡΓΙΑ

**⚠ ΠΡΟΕΙΔΟΠΟΙΗΣΗ:** Η εξοικείωσή σας με αυτό το προϊόν δε θα πρέπει να σας κάνει λιγότερο προσεκτικούς. Θυμηθείτε πως ένα κλάσμα δευτερολέπτου απροσεξίας μπορεί να προκαλέσει σοβαρό τραυματισμό.

**⚠ ΠΡΟΕΙΔΟΠΟΙΗΣΗ:** Φοράτε πάντα προστασία για τα μάτια με πλαϊνά προστατευτικά, μαζί με προστασία για την ακοή. Σε αντίθετη περίπτωση, είναι πιθανό να υπάρξει εκτόξευση αντικειμένων στα μάτια σας και άλλοι πιθανοί σοβαροί τραυματισμοί.

## ΕΦΑΡΜΟΓΕΣ

Μπορείτε να χρησιμοποιήσετε αυτό το προϊόν για τους κατωτέρω αναφερόμενους σκοπούς:

- Κοπή σε άκρα γύρω από μονοπάτια, κράσπεδα, παρτέρια και άλλα παρόμοια σημεία.

**ΣΗΜΕΙΩΣΗ:** Το εργαλείο πρέπει να χρησιμοποιείται αποκλειστικά για τη σκοπούμενη χρήση. Οποιαδήποτε άλλη χρήση θα χαρακτηριστεί ως περίπτωση κακής χρήσης.

## Πριν από κάθε χρήση ελέγχετε για εξαρτήματα με ζημιές/φθορές

Ελέγχετε την κεφαλή πρόσκρουσης, το προστατευτικό και τη λαβή μπροστινής υποβοήθησης και αντικαθιστάτε τα εξαρτήματα που έχουν ρωγμές, παραμόρφωση, λυγίσματα ή ζημιές οποιουδήποτε είδους.

**⚠ ΠΡΟΕΙΔΟΠΟΙΗΣΗ:** Για να εμποδίσετε σοβαρό ατομικό τραυματισμό, απομακρύνετε τη συστοιχία μπαταριών από το εργαλείο πριν από σέρβις, καθαρισμό, αλλαγή προσαρτημάτων ή αφαίρεση υλικού από τη μονάδα.

## ΧΡΗΣΗ ΤΟΥ ΠΡΟΣΑΡΤΗΜΑΤΟΣ ΑΚΡΟΚΟΦΤΗ ΜΕ ΤΗΝ ΗΛΕΚΤΡΙΚΗ ΚΕΦΑΛΗ

**⚠ ΠΡΟΕΙΔΟΠΟΙΗΣΗ:** Ντύνεστε κατάλληλα για τη μείωση κινδύνου τραυματισμού κατά τη λειτουργία αυτού του εργαλείου. Μη φοράτε φαρδιά ρούχα ή κοσμήματα. Φοράτε προστατευτικά γυαλιά και προστατευτικό αφτιών/ακοής. Φοράτε βαριά, μακριά παντελόνια, μπότες και γάντια. Μην φοράτε κοντά παντελόνια, σανδάλια και μην είστε ξυπόλυτοι. Φοράτε μια μάσκα προσώπου ή προστασίας από σκόνη σε τοποθεσίες με σκόνη.

**⚠ ΠΡΟΕΙΔΟΠΟΙΗΣΗ:** Απομακρύνετε όλα τα εμπόδια και στερεά αντικείμενα από τον τομέα εργασίας.

Για μια ασφαλή και καλύτερη λειτουργία, τοποθετήστε τον μάντα ώμου εγκάρσια στον ώμο. Ρυθμίστε τον μάντα ώμο σε μια άνετη θέση λειτουργίας.

Κρατάτε τον ακροκόφτη με το δεξί χέρι στην οπίσθια χειρολαβή και το αριστερό χέρι στη λαβή μπροστινής υποβοήθησης. Κρατάτε σφιχτά και με τα δύο χέρια ενώ χειρίζεστε το εργαλείο. Ο ακροκόφτης πρέπει να κρατείται σε άνετη θέση με την πίσω λαβή περίπου στο ύψος των γοφών (Εικ. Β).

**⚠️ ΠΡΟΕΙΔΟΠΟΙΗΣΗ:** Ο ιμάντας ώμου είναι επίσης ένας μηχανισμός γρήγορης αποδέσμευσης σε επικίνδυνη κατάσταση. Σε επείγουσα κατάσταση αφαιρέστε τον από τον ώμο σας αμέσως, ανεξάρτητα από τη θέση του ιμάντα.

## Μετά από κάθε χρήση, καθαρίζετε τον ακροκόφτη

Δείτε το απόσπασμα ΣΥΝΤΗΡΗΣΗ για οδηγίες καθαρισμού.

### ΡΥΘΜΙΣΗ ΤΗΣ ΚΟΠΗΣ ΒΑΘΟΥΣ

1. Σταματήστε το μοτέρ και αφαιρέστε τη συστοιχία μπαταριών.
2. Λασκάρετε το κουμπί ρύθμισης βάθους στην κατεύθυνση του σημειωμένου βέλους απασφάλισης στο κουμπί (Εικ. C).
3. Μετακινήστε τον τροχό οδήγησης κατά μήκος της οδηγητικής μπάρας ρύθμισης βάθους και επάνω για να αυξήσετε το βάθος κοπής ή κάτω για να μειώσετε το βάθος (Εικ. D).
4. Ρυθμίστε τον τροχό οδήγησης έτσι ώστε η λεπίδα απλά να αγγίζει το έδαφος ή να ανακόπτει την επιφάνεια του εδάφους όχι περισσότερα από 5 χιλ. (Εικ. E) και κατόπιν σφίξτε τον με ασφάλεια.
5. Ενώ στέκεστε με κανονική θέση εργασίας, ελέγξτε το βάθος κοπής εκ νέου και διορθώστε το εάν απαιτείται.

### ΕΝΑΡΞΗ/ΣΤΑΜΑΤΗΜΑ ΤΟΥ ΕΡΓΑΛΕΙΟΥ

Δείτε το απόσπασμα «ΕΝΑΡΞΗ/ΣΤΑΜΑΤΗΜΑ ΤΗΣ ΗΛΕΚΤΡΙΚΗΣ ΚΕΦΑΛΗΣ» στο εγχειρίδιο χρήσης της ηλεκτρικής κεφαλής PH1400E/PH1420E/PHX1600.

### ΥΠΟΔΕΙΞΕΙΣ ΛΕΙΤΟΥΡΓΙΑΣ

- Κρατάτε και οδηγείτε την ηλεκτρική κεφαλή έτσι ώστε η λεπίδα να είναι κάθετη. Χρησιμοποιείτε τη γραμμική οπτικής επαφής για την ευθυγράμμιση της λεπίδας προς τα επάνω με την ακμή παρτεριού (Εικ. F).
- Μη χειρίζεστε με ανώτερο από τον φυσιολογικό ρυθμό εργασίας. Εάν η λεπίδα αρχίσει να καθυστερεί, κόβετε πολύ γρήγορα. Μειώστε το ρυθμό σας.
- Να περπατάτε πάντα προς τα εμπρός όταν κόβετε και να μετακινείτε τον ακροκόφτη προς τα εμπρός. Μην τραβάτε τον ακροκόφτη προς εσάς.
- Μην ωθείτε με δύναμη τη λεπίδα μέσα στο έδαφος. Ελαφριά επαφή της λεπίδας προς την ακμή πεζοδρομίου, του κράσπεδου κ.λπ. είναι δυνατή και δεν θα προκληθεί ζημιά στον ακροκόφτη.
- Τα καλύτερα αποτελέσματα επιτυγχάνονται όταν το γρασίδι είναι στεγνό. Αποφεύγετε να κόβετε σε βρεγμένο χώμα ή βρεγμένους τομείς γρασιδιού αλλιώς η λεπίδα θα μπλοκάρει και θα δημιουργηθεί

ανομοιόμορφη ακμή. Εάν το προστατευτικό λεπίδας μπλοκάρει, σταματήστε το μοτέρ, αφαιρέστε τη συστοιχία μπαταριών και απομακρύνετε τα υπολείμματα από το προστατευτικό λεπίδας.

## ΣΥΝΤΗΡΗΣΗ

**⚠️ ΠΡΟΕΙΔΟΠΟΙΗΣΗ:** Πριν τον έλεγχο, τον καθαρισμό ή τη συντήρηση της μονάδας, σταματήστε το μοτέρ, περιμένετε να σταματήσουν όλα τα κινούμενα εξαρτήματα και απομακρύνετε τη συστοιχία μπαταριών. Η μη τήρηση των οδηγιών μπορεί να οδηγήσει σε σοβαρό τραυματισμό ή υλικές ζημιές.

**⚠️ ΠΡΟΕΙΔΟΠΟΙΗΣΗ:** Όταν κάνετε συντήρηση του εργαλείου, χρησιμοποιείτε μόνο ίδια ανταλλακτικά. Η χρήση οποιωνδήποτε άλλων εξαρτημάτων μπορεί να προκαλέσει κίνδυνο ή υλικές ζημιές. Για να διασφαλίσετε την ασφάλεια και την αξιοπιστία, όλες οι επισκευές και οι αντικαταστάσεις πρέπει να διεξάγονται από εξειδικευμένο τεχνικό του σέρβις.

### ΓΕΝΙΚΗ ΣΥΝΤΗΡΗΣΗ

Αποφύγετε τη χρήση διαλυτών κατά τον καθαρισμό των πλαστικών εξαρτημάτων. Τα περισσότερα πλαστικά είναι ευπαθή στη χρήση διαφόρων τύπων διαλυτών του εμπορίου και καταστρέφονται από τη χρήση τους. Χρησιμοποιείτε καθαρό πανί για την απομάκρυνση βρωμιάς, σκόνης, λαδιού, γράσου κτλ.

### ΚΑΘΑΡΙΣΜΟΣ ΤΗΣ ΜΟΝΑΔΑΣ

- Μετά από κάθε χρήση καθαρίζετε τα υπολείμματα, χώμα που έχει μπλοκάρει ή γρασίδι στη λεπίδα και το προστατευτικό χρησιμοποιώντας μια μαλακιά βούρτσα. Σκουπίστε την επιφάνεια ακροκόφτη με ένα καθαρό πανί νοτισμένο με ένα ήπιο διάλυμα σαπουνάδας.
- Use a small brush or the air discharge of a small vacuum cleaner brush to clean the air vents free of obstructions on the rear housing.

**ΣΗΜΕΙΩΣΗ:** Μη χρησιμοποιήσετε κανένα δραστικό απορρυπαντικό πάνω στο πλαστικό περίβλημα ή τη λαβή. Μπορεί να προκληθούν ζημιές λόγω ορισμένων αρωματικών ελαίων όπως από πεύκο και λεμόνι.

### ΑΝΤΙΚΑΤΑΣΤΑΣΗ ΤΗΣ ΛΕΠΙΔΑΣ

**⚠️ ΠΡΟΕΙΔΟΠΟΙΗΣΗ:** Μην προσπαθείτε να ισιώσετε ή συγκολλήσετε μια λυγισμένη ή ραγισμένη λεπίδα διότι μπορεί να σπάσει. Πρέπει να την αντικαταστήσετε. Συστήνουμε αντικατάσταση μόνο με λεπίδες ακροκόφτη της EGO, δείτε το απόσπασμα «Προτεινόμενη λεπίδα».

**ΣΗΜΕΙΩΣΗ:** Αντικαταστήστε τη λεπίδα εάν το μήκος της δεν αρκεί πλέον για τη διατήρηση του απαιτούμενου κενού και δεν λαμβάνετε πλέον το απαιτούμενο βάθος κοπής.

**▲ ΠΡΟΕΙΔΟΠΟΙΗΣΗ:** Προστατεύετε πάντα τα χέρια σας φορώντας βαριά γάντια ή τυλίγοντας τη λεπίδα με πανιά ή άλλα υλικά όταν διεξάγετε συντήρηση στη λεπίδα ακροκόφτη.

### Αφαίρεση της λεπίδας

1. Σταματήστε το μοτέρ και αφαιρέστε τη συστοιχία μπαταριών.
2. Αποθέστε τον ακροκόφτη στο πίσω μέρος του, έτσι ώστε η λεπίδα να βλέπει προς τα επάνω.
3. Φοράτε προστατευτικά γάντια. Χρησιμοποιήστε πένσα (δεν περιλαμβάνεται) για να απομακρύνετε την ασφαλιστική περόνη από τον άξονα μοτέρ (Εικ. G).
4. Περιστρέψτε τη λεπίδα για να ευθυγραμμίσετε την υποδοχή στη φλάντζα με την οπή στο κιβώτιο γραναζιών (Εικ. G).

Εικ. G Περιγραφή εξαρτημάτων, δείτε παρακάτω:

G-1	Ασφαλιστική περόνη
G-2	Εσωτερική φλάντζα
G-3	Κιβώτιο γραναζιών

5. Εισαγάγετε το παρεχόμενο εξάγωνο κλειδί μέσα στις ευθυγραμμισμένες οπές, ώστε να ενεργήσει ως σταθεροποιητής. Χρησιμοποιήστε το παρεχόμενο κλειδί πολλαπλών λειτουργιών για να λασκάρετε το παξιμάδι ΔΕΞΙΟΣΤΡΟΦΑ (Εικ. Η).
6. Απομακρύνετε το παξιμάδι, την εξωτερική φλάντζα, τη λεπίδα και την εσωτερική φλάντζα από τον άξονα μοτέρ (Εικ. Ι). Ελέγξτε και αντικαταστήστε εάν έχουν φθαρεί.

Εικ. Ι Περιγραφή εξαρτημάτων, δείτε παρακάτω:

I-1	Άξονας μοτέρ	I-5	Λεπίδα
I-2	Εσωτερική φλάντζα	I-6	Εξωτερική φλάντζα
I-3	Υποδοχή στην εσωτερική φλάντζα	I-7	Παξιμάδι
I-4	Προεξοχή στην εσωτερική φλάντζα	I-8	Ασφαλιστική περόνη

### Τοποθέτηση της λεπίδας

1. Τοποθετήστε την εσωτερική φλάντζα επάνω στον άξονα μοτέρ με την προεξοχή να βλέπει προς τα έξω (Εικ. Ι).

2. Εγκαταστήστε τη νέα λεπίδα επάνω στην εσωτερική φλάντζα, διασφαλίζοντας ότι η λεπίδα έχει τοποθετηθεί στη θέση της με ασφάλεια (Εικ. J).

3. Τοποθετήστε την εξωτερική φλάντζα και το παξιμάδι επάνω στον άξονα και σφίξτε αρχικά το παξιμάδι **ΑΡΙΣΤΕΡΟΣΤΡΟΦΑ** με το χέρι.

4. Ακολουθήστε τα ανωτέρω βήματα 4 & 5 στο απόσπασμα «Απομάκρυνση της λεπίδας» για να σταθεροποιήσετε τη λεπίδα και να σφίξετε με ασφάλεια το παξιμάδι **ΑΡΙΣΤΕΡΟΣΤΡΟΦΑ**.

5. Εισαγάγετε την νέα παρεχόμενη ασφαλιστική περόνη μέσα στην οπή στον άξονα μοτέρ. Κάμψτε τα δύο πόδια της περόνης σε αντίθετες κατευθύνσεις με μια πένσα (δεν περιλαμβάνεται) (Εικ. G).

### ΑΝΤΙΚΑΤΑΣΤΑΣΗ ΤΟΥ ΤΡΟΧΟΥ ΟΔΗΓΗΣΗΣ

1. Σταματήστε το μοτέρ και αφαιρέστε τη συστοιχία μπαταριών.
2. Αποθέστε τον ακροκόφτη στο πίσω μέρος του, έτσι ώστε ο τροχός οδήγησης να βλέπει προς τα επάνω.

3. Λασκάρετε το κουμπί ρύθμισης βάθους στην κατεύθυνση του σημειωμένου βέλους απασφάλισης στο κουμπί και αφαιρέστε το.

4. Απομακρύνετε το γκρόβερ, την απλή ροδέλα 1, τον τροχό οδήγησης, το χιτώνιο και την απλή ροδέλα 2 από τη βιδωτή ράβδο (Εικ. Κ). Ελέγξτε και αντικαταστήστε εάν έχουν φθαρεί.

5. Τοποθετήστε τη βιδωτή ράβδο πρώτα μέσα από την οδηγητική μπάρα ρύθμισης βάθους και κατόπιν τοποθετήστε την απλή ροδέλα 2, το χιτώνιο και τον νέο τροχό, μετά τοποθετήστε την απλή ροδέλα 1, το γκρόβερ και το κουμπί ρύθμισης βάθους επάνω στη βιδωτή ράβδο με τη σειρά που φαίνεται στην Εικ. Κ.

Εικ. Κ Περιγραφή εξαρτημάτων, δείτε παρακάτω:

K-1	Κουμπί ρύθμισης βάθους	K-5	Χιτώνιο
K-2	Γκρόβερ	K-6	Απλή ροδέλα 2
K-3	Απλή ροδέλα 1	K-7	Βιδωτή ράβδος
K-4	Τροχός οδήγησης	K-8	Οδηγητική μπάρα ρύθμισης βάθους

**ΣΗΜΕΙΩΣΗ:** Ο τροχός οδήγησης πρέπει να τοποθετείται με τις πλατιές νευρώσεις κοιτάζοντας προς τα μέσα (Εικ. Λ).

Εικ. L Για την περιγραφή των εξαρτημάτων δείτε παρακάτω:

L-1	Βίδες	L-3	Κλαπέτο υπολειμμάτων
L-2	Επίπεδη νεύρωση	L-4	Πλάκα σταθεροποίησης

6. Ασφαλίστε το κουμπί ρύθμισης βάθους.

### ΑΝΤΙΚΑΤΑΣΤΑΣΗ ΤΟ ΚΛΑΠΕΤΟ ΥΠΟΛΕΙΜΜΑΤΩΝ (Εικ. L)

1. Σταματήστε το μοτέρ και αφαιρέστε τη συστοιχία μπαταριών.
2. Χρησιμοποιήστε το παρεχόμενο εξάγωνο κλειδί για να λασκάρετε τις δύο βίδες.
3. Απομακρύνετε τις βίδες, την πλάκα σταθεροποίησης και το φθαρμένο κλαπέτο υπολειμμάτων.
4. Αντικαταστήστε με ένα νέο κλαπέτο υπολειμμάτων και ασφαλίστε το με την πλάκα σταθεροποίησης και τις δύο βίδες.

### ΕΛΕΓΧΟΣ ΚΑΙ ΑΝΤΙΚΑΤΑΣΤΑΣΗ ΤΟΥ ΠΡΟΣΤΑΤΕΥΤΙΚΟΥ ΚΑΤΑ ΤΗΣ ΦΘΟΡΑΣ/ΤΗΣ ΠΛΑΚΑΣ ΟΔΗΓΗΣΗΣ (Εικ. M)

Ελέγξτε το προστατευτικό κατά της φθοράς και την πλάκα οδήγησης για ζημιές προτού εκκινήσετε το ηλεκτρικό εργαλείο. Το προστατευτικό κατά της φθοράς πρέπει να αντικαθίσταται μόλις το κιβώτιο γραναζιών γίνει ορατό.

**ΣΗΜΕΙΩΣΗ:** Το κιβώτιο γραναζιών μπορεί να πάθει σοβαρή ζημιά εάν δεν αντικαταστήσετε το προστατευτικό κατά της φθοράς μόλις γίνει ορατό το κιβώτιο γραναζιών.

1. Σταματήστε το μοτέρ και αφαιρέστε τη συστοιχία μπαταριών.
2. Φοράτε προστατευτικά γάντια. Περιστρέψτε τη λεπίδα όπως απαιτείται για να εκθέσετε τις δύο βίδες.
3. Χρησιμοποιήστε το παρεχόμενο εξάγωνο κλειδί για να λασκάρετε τις δύο βίδες και να τις απομακρύνετε.

**ΣΗΜΕΙΩΣΗ:** Εάν πρέπει απλά να αντικαταστήσετε την πλάκα οδήγησης, λασκάρετε και απομακρύνετε μόνο τη βίδα 1.

4. Αντικαταστήστε το παραμορφωμένο ή φθαρμένο προστατευτικό κατά της φθοράς/πλάκα οδήγησης.
5. Συναρμολογήστε το νέο προστατευτικό κατά της φθοράς και την πλάκα οδήγησης επάνω στο κιβώτιο γραναζιών και ασφαλίστε τα με τις δύο βίδες.

Εικ. M Για την περιγραφή των εξαρτημάτων δείτε παρακάτω:

M-1	Βίδα 1	M-4	Προστατευτικό κατά της φθοράς
M-2	Πλάκα οδήγησης	M-5	Οπίς τοποθέτησης
M-3	Βίδα 2	M-6	Κιβώτιο γραναζιών

### ΑΠΟΜΑΚΡΥΝΣΗ ΤΗΣ ΠΛΑΚΑΣ ΟΔΗΓΗΣΗΣ

Εάν έχετε εμπειρία με αυτό τον τύπο ακροκόφτη ή εάν νομίζετε ότι η πλάκα οδήγησης είναι εμπόδιο στη λειτουργία κοπής άκρων, μπορείτε να την απομακρύνετε.

1. Λασκάρετε και απομακρύνετε τη βίδα 1.
2. Απομακρύνετε την πλάκα οδήγησης.
3. Επανατοποθετήστε τη βίδα σύσφιξης 1.

### ΛΙΠΑΝΣΗ ΣΥΣΤΗΜΑΤΟΣ ΟΔΟΝΤΟΤΡΟΧΩΝ

Το σύστημα οδοντοτροχών στο κιβώτιο γραναζιών πρέπει να λιπαίνεται περιοδικά με το γράσο μειωτήρων. Ελέγχετε σχεδόν κάθε 50 ώρες λειτουργίας τη στάθμη γράσου στο κιβώτιο γραναζιών αφαιρώντας τη βίδα στεγανοποίησης στα πλάγια του κιβωτίου.

Εάν δεν φαίνεται γράσο στα πλαινά του μειωτήρα, ακολουθήστε τα παρακάτω βήματα για να γεμίσετε με γράσο μειωτήρων έως την ένδειξη 3/4.

Μην γεμίσετε έως πάνω το σύστημα οδοντοτροχών.

1. Τοποθετήστε όρθια τον ακροκόφτη, έτσι ώστε η βίδα στεγανοποίησης να βλέπει προς τα επάνω (Εικ. N).
2. Χρησιμοποιήστε το παρεχόμενο κλειδί πολλαπλών λειτουργιών για να λασκάρετε και να απομακρύνετε τη βίδα στεγανοποίησης. Χρησιμοποιήστε μια σύριγγα γράσου (δεν περιλαμβάνεται) για να εισαγάγετε λίγο γράσο μέσα στην οπή βίδας. Μην υπερβαίνετε την ένδειξη 3/4.
3. Σφίξτε τη βίδα στεγανοποίησης μετά την έγχυση γράσου.

### ΑΠΟΘΗΚΕΥΣΗ ΤΗΣ ΜΟΝΑΔΑΣ

- Απομακρύνετε τη συστοιχία μπαταρίας από τον ακροκόφτη
- Καθαρίστε το εργαλείο σχολαστικά προτού το αποθηκεύσετε.
- Εάν το πρόσρτημα ακροκόφτη αφαιρεθεί από την ηλεκτρική κεφαλή και αποθηκευτεί ξεχωριστά, τοποθετήστε το τερματικό πώμα επάνω στον άξονα προσαρτήματος ώστε να μην εισέλθουν ρύποι στη διάταξη ζεύξης.
- Αποθηκεύετε τη μονάδα σε έναν στεγνό, καλά αεριζόμενο χώρο, κλειδωμένο ή σε ψηλό σημείο, εκτός εμβέλειας παιδιών. Μην αποθηκεύετε τη μονάδα επάνω ή δίπλα σε λιπάσματα, βενζίνη ή άλλες χημικές ουσίες.

**Προστασία του περιβάλλοντος**

Μην απορρίπτετε ηλεκτρικό εξοπλισμό, παλιές μπαταρίες και φορτιστές στα οικιακά απορρίμματα! Μεταφέρετε αυτό το προϊόν σε εξουσιοδοτημένο κέντρο ανακύκλωσης και διαθέστε το για ξεχωριστή συλλογή. Οι ηλεκτρικές μηχανές πρέπει να επιστρέφονται σε περιβαλλοντικά συμβατή μονάδα ανακύκλωσης.

## ΑΝΤΙΜΕΤΩΠΙΣΗ ΠΡΟΒΛΗΜΑΤΩΝ

ΠΡΟΒΛΗΜΑ	ΑΙΤΙΑ	ΕΠΙΛΥΣΗ
Το μοτέρ δεν εκκινείται.	<ul style="list-style-type: none"> <li>■ Η συστοιχία μπαταριών δεν έχει προσαρτηθεί στην ηλεκτρική κεφαλή.</li> <li>■ Δεν υπάρχει ηλεκτρική επαφή μεταξύ της ηλεκτρικής κεφαλής και της συστοιχία μπαταριών.</li> <li>■ Η συστοιχία μπαταριών έχει εξαντληθεί.</li> <li>■ Ο κουμπί ασφάλισης και η σκανδάλη δεν πατήθηκαν ταυτόχρονα.</li> </ul>	<ul style="list-style-type: none"> <li>■ Τοποθετήστε τη συστοιχία μπαταριών στην ηλεκτρική κεφαλή.</li> <li>■ Απομακρύνετε τη μπαταρία, ελέγξτε τις επαφές και επανεγκαταστήστε τη συστοιχία μπαταριών, έως ότου κουμπώσει στη θέση της.</li> <li>■ Φορτίστε τη συστοιχία μπαταριών με τους φορτιστές EGO που παρατίθενται στο παρόν εγχειρίδιο.</li> <li>■ Πατήστε κάτω το κουμπί ασφάλισης και κρατήστε τον, κατόπιν πιέστε τη σκανδάλη για να ενεργοποιήσετε το χλοοκοπτικό με νήμα.</li> </ul>
Η ηλεκτρική κεφαλή σταματάει κατά τη λειτουργία.	<ul style="list-style-type: none"> <li>■ Το μοτέρ έχει υπερφορτωθεί.</li> <li>■ Η συστοιχία μπαταριών ή η ηλεκτρική κεφαλή είναι πολύ καυτή.</li> <li>■ Η συστοιχία μπαταριών έχει αποσυνδεθεί από το εργαλείο.</li> <li>■ Η συστοιχία μπαταριών έχει εξαντληθεί.</li> </ul>	<ul style="list-style-type: none"> <li>■ Το μοτέρ θα επανέλθει όταν αφαιρεθεί το φορτίο. Για συνεχή εργασία, μειώστε το φορτίο της ηλεκτρικής κεφαλής.</li> <li>■ Επιτρέψτε η συστοιχία μπαταριών ή η ηλεκτρική κεφαλή να κρυώνουν, έως ότου η θερμοκρασία πέσει κάτω από τους 67°C.</li> <li>■ Επανεγκαταστήστε τη συστοιχία μπαταριών.</li> <li>■ Φορτίστε τη συστοιχία μπαταριών με τους φορτιστές EGO που παρατίθενται στο παρόν εγχειρίδιο.</li> </ul>
Ανομοιόμορφη ακμή	<ul style="list-style-type: none"> <li>■ Το γρασίδι ή το χώμα που κόβονται είναι πολύ βρεγμένα.</li> <li>■ Το προστατευτικό λεπίδας έχει έμφραξη.</li> </ul>	<ul style="list-style-type: none"> <li>■ Αποφεύγετε κοπή ακμών σε βρεγμένο χώμα ή γρασίδι.</li> <li>■ Σταματήστε το μοτέρ, αφαιρέστε τη συστοιχία μπαταριών και απομακρύνετε τα υπολείμματα από το προστατευτικό λεπίδας.</li> </ul>

GR

## ΕΓΓΥΗΣΗ

### ΠΟΛΙΤΙΚΗ ΕΓΓΥΗΣΗΣ EGO

Επισκεφθείτε την ιστοσελίδα [egopowerplus.eu](http://egopowerplus.eu) για όλους τους όρους και τις προϋποθέσεις της πολιτικής εγγύησης EGO.



## TÜM TALIMATLARI OKUYUN!



### KULLANIM KILAVUZUNU OKUYUN

**⚠ UYARI:** Güvenliği ve güvenilirliği sağlamak için, tüm onarım işlemleri yetkili bir servis teknisyeni tarafından gerçekleştirilmelidir.

## GÜVENLİK SEMBOLLERİ

Güvenlik sembollerinin amacı olası tehlikelere dikkatinizi çekmektir. Güvenlik sembolleri ve yanlarındaki açıklamalar özel dikkat ve anlayış göstermenizi gerektirir. Uyarı sembolleri kendi başlarına herhangi bir tehlikeyi gidermez. Sundukları talimat ve uyarılar uygun kaza önleme önlemlerinin yerine geçmez.

**⚠ UYARI:** Bu aleti kullanmadan önce, “**TEHLİKE**”, “**UYARI**” ve “**DİKKAT**” gibi tüm güvenlik uyarı ve sembollerini içeren bu Kullanım Kılavuzu içerisindeki tüm güvenlik talimatlarını okuyup anladığınızdan emin olun. Aşağıdaki talimatların tamamına uyulmaması elektrik çarpması, yangın ve/veya ciddi kişisel yaralanma ile sonuçlanabilir.

## SEMBOLÜN ANLAMI

**⚠ GÜVENLİK UYARI SEMBOLÜ: TEHLİKE, UYARI veya DİKKAT** edilmesi gereken durumları gösterir. Diğer semboller veya resimlerle birlikte kullanılabilir.








**⚠ UYARI:** Herhangi bir elektrikli aletin kullanımı yabancı nesnelere gözlerinize fırlatılması sonucunu doğurabilir, bu da gözlerde ciddi hasara yol açabilir. Elektrikli aleti kullanmaya başlamadan önce, daima göz koruması veya yan siperleri olan koruyucu gözlük takın ve gerektiğinde tam yüz siperi kullanın. Gözlük üzerine kullanım için Wide Vision Koruyucu Maske ya da yan siperleri olan standart koruyucu gözlükleri tavsiye ederiz.

## GÜVENLİK TALIMATLARI

Bu sayfada, bu ürün üzerinde görülebilecek güvenlik sembolleri gösterilmekte ve açıklanmaktadır. Makineyi monte etmeye ve kullanmaya başlamadan önce, makineye ilişkin tüm talimatları okuyup anlayın ve bu talimatlara uyun.

	Güvenlik Uyarısı	Potansiyel bir kişisel yaralanma tehlikesini gösterir.
	Kullanım Kılavuzunu Okuyun	Yaralanma riskini azaltmak için, kullanıcı bu ürünü kullanmadan önce kullanım kılavuzunu okuyup anlamalıdır.
	Kulaklık ve Gözlük Kullanın	Bu ürünü çalışırken daima göz koruması, yan siperleri olan koruyucu gözlük ya da tam yüz maskesi kullanın.
	Kenar kesicinin bıçak uzunluğu	Kenar kesicinin bıçak uzunluğu
	Üçüncü Şahısları Uzak Tutun	Makine ile çevredeki insanlar arasında en az 15 m mesafe olmalıdır.
	Kenar Düzeltme Aparatı Bıçak Dönüş Yönü	Kenar düzeltme aletinin bıçak dönüş yönünü gösterir.
	Fırlayan Nesnelere	Cihazın kullanılacağı yüzeyi kontrol edin, tüm taş, sopa, kablo, kemik ve diğer yabancı cisimleri kaldırın.
	Koruyucu Ayakkabı Giyin	Bu cihazı kullanırken kaymaz emniyet ayakkabıları giyin.
	Döner Kesim Bıçağı	El ve ayaklarınızı dönen parçaların yakınına veya altında koymayın.
	Elektrik güç hatlarından yeterli uzaklıkta durun	Elektrik çarpmasını önlemek için, hava gücü hatlarının 15m dahilinde çalışmayın. Güç hatlarıyla temas veya güç hatlarının yakınında kullanılması ciddi yaralanma veya elektrik çarpmasına neden olarak ölüme yol açabilir.

**TR**

	CE	Bu ürün geçerli AB direktiflerine uygundur.
	UKCA	Bu ürün, yürürlükteki Birleşik Krallık yasalarına uygundur.
	WEEE	Atık elektrikli ürünler, evsel atıklar ile birlikte imha edilmemelidir. Yetkili bir geri dönüşüm merkezine götürün.
	Gürültü	Garanti edilen ses gücü seviyesi. Avrupa Birliği Direktifi'ne göre çevre ses emisyonu.
V	Volt	Voltaj
mm	Milimetre	Uzunluk veya boyut
cm	Santimetre	Uzunluk veya boyut
kg	Kilogram	Ağırlık
	Doğru Akım	Akım türü ve özelliği

## MAKİNE İÇİN GENEL GÜVENLİK UYARILARI

**⚠ UYARI:** Bu makine ile birlikte verilen tüm güvenlik uyarılarını, talimatları, resimli açıklamaları ve teknik özellikleri okuyun. Aşağıdaki talimatların tamamına uyulmaması elektrik çarpması, yangın ve/veya ciddi yaralanma ile sonuçlanabilir.

Tüm uyarı ve talimatları gelecekte başvuru amacıyla muhafaza edin.

uyarılarda geçen "makine" terimi, elektrikle çalışan (kablolu) veya akü ile çalışan (kablosuz) makinenizi ifade eder.

TR

## ÇALIŞMA ALANI GÜVENLİĞİ

- Çalışma alanını temiz tutun ve yeterli aydınlatma sağlayın. Karışık veya karanlık alanlar kazalara yol açar.
- Makineleri yanıcı sıvıların, gazların veya tozların bulunduğu patlayıcı ortamlarda çalıştırmayın. Makineler, tozları veya dumanları tutuşturabilecek kıvılcımlar oluşturur.
- Bir makineyi kullanırken çocukların ve etraftaki kişilerin makineden uzakta olduğundan emin olun. Dikkatinizin dağılması kontrolü kaybetmenize neden olabilir.

## ELEKTRİK GÜVENLİĞİ

- Makine fişleri prize uygun olmalıdır. Fiş üzerinde asla değişiklik yapmayın. Topraklı (topraklamalı) makineler için herhangi bir adaptör fişi kullanmayın. Üzerinde değişiklik yapılmamış fişler ve uygun prizler elektrik çarpması riskini azaltır.
- Boru, radyatör, fırın ocak ve buzdolabı gibi topraklanmış yüzeylerle temastan kaçınınız. Topraklanmış yerlerle temas etmeniz halinde elektrik çarpması riski artar.
- Makineyi yağmurda veya ıslak koşullarda çalıştırmayın. Makineye giren su, yaralanmaya neden olabilecek elektrik çarpması veya arıza riskini artırabilir.
- Kabloyu hatalı kullanmayın. Kabloyu asla makineyi taşımak, çekmek veya fişi prizden çıkarmak için kullanmayın. Kabloyu sıcaktan, yağdan, keskin kenarlardan veya hareketli parçalardan uzak tutun. Hasarlı veya birbirine dolaşmış kablolar elektrik çarpması riskini artırır.
- Bir makineyi açık havada kullanırken, uygun bir dış mekan uzatma kablosu kullanın. Dış mekan için uygun bir kablolu kullanılması elektrik çarpması riskini azaltır.
- Makinenin rutubetli bir ortamda kullanılması gerekirse kaçak akım rölesi (GFCI) bulunan bir şebeke kullanın. GFCI kullanmak elektrik çarpması riskini azaltır.

## KİŞİSEL GÜVENLİK

- Makineyi kullanırken daima dikkatli olun, yaptığınız işe yoğunlaşın ve sağduyulu davranın. Makineyi yorgunken ya da uyuşturucu, alkol ya da ilaç etkisi altındayken kullanmayın. Makineleri kullanırken bir anlık dikkatsizlik ciddi kişisel yaralanmayla sonuçlanabilir.
- Kişisel koruyucu ekipman kullanın. Daima koruyucu gözlük takın. Koşullara uygun toz maskesi, kaymaz emniyet ayakkabıları, kask veya işitme koruması gibi koruyucu ekipman kullanılması yaralanmaları azaltır.
- Yanlışlıkla çalıştırmaktan kaçınınız. Makinenin güç kaynağı ve/veya akü ile bağlantısını yapmadan, kaldırmadan veya taşımadan önce açma/kapatma düğmesinin kapalı olduğundan emin olun. Parmağınız açma/kapatma düğmesinin üzerindeyken veya çalışır haldeyken makineleri taşımak kazalara davetiye çıkarır.
- Makineye takılı herhangi bir alyan veya anahtar varsa makineyi çalıştırmadan önce bunları çıkarın. Makinenin döner parçalarına takılı bir alyan veya anahtar yaralanmalara neden olabilir.

- Dengesiz bir duruşla çalışma yapmayın. Çalışma süresince ayaklarınızı sağlam basın ve dengeyi koruyun. Bu sayede beklenmedik durumlarda makine daha iyi kontrol edilebilir.
- Uygun bir şekilde giyinin. Bol giysiler giymeyin veya takı takmayın. Saçlarınızı ve elbiselerinizi hareketli parçalardan uzak tutun. Bol giysiler, takılar veya uzun saçlar hareketli parçalara takılabilir.
- Toz emme ve toplama araçlarının bağlantısı için sağlanan cihazlar varsa bunların takılı olduğundan ve düzgün bir biçimde kullanıldığından emin olun. Toz toplama araçlarının kullanımı tozdan kaynaklanabilecek tehlikeleri azaltabilir.
- Makineleri sık kullanarak edindiğiniz alışkanlık rahat olmanıza ve makinelerin güvenlik ilkelerini göz ardı etmenize neden olmamalıdır. Dikkatsiz bir hareket, bir saniyeden daha kısa bir sürede ağır yaralanmalara neden olabilir.

#### MAKİNE KULLANIMI VE BAKIMI

- Makineyi zorlamayın. Uygulamanız için doğru makineyi kullanın. Doğru makine, tasarımına uygun değerlerde kullanıldığında daha iyi ve daha güvenli çalışır.
- Açma/kapatma düğmesi çalışmıyorsa makineyi kullanmayın. Açma/kapama düğmesi ile kontrol edilemeyen bir makine tehlikelidir ve onarılması gerekir.
- Herhangi bir ayar işlemi, aksesuar değişimi veya makinenin depoya kaldırılması öncesinde fişi prizden çekin ve/veya eğer çıkarılabiliyorsa aküyü makineden çıkarın. Bu tür önleyici güvenlik tedbirleri, makinenin yanlışlıkla çalıştırılması riskini azaltır.
- Kullanılmayan makineleri çocukların erişmeyeceği bir yerde saklayın ve makine veya bu talimatlar hakkında bilgi sahibi olmayan kişilerin makineyi çalıştırmasına izin vermeyin. Makineler eğitimsiz kullanıcıların elinde tehlikelidir.
- Makinelerin ve aksesuarların bakımını yapın. Hareketli parçaların kusursuz olarak işlev görüp görmediğini ve sıkışıp sıkışmadığını, parçaların hasarlı olup olmadığını ve makinenin çalışmasını etkileyebilecek tüm diğer koşulları kontrol edin. Hasar görmüşse kullanmadan önce makineyi tamir ettirin. Kazaların çoğu, makine bakımının yeterli şekilde yapılmamasından kaynaklanır.
- Kesici makineleri keskin ve temiz tutun. Keskin kesim kenarlarına sahip, bakımı düzgün yapılmış kesim makineleri daha az sorun çıkarır ve kontrolü kolaydır.
- Makineyi, aksesuarlarını ve makine uçlarını vb. çalışma şartlarını ve yapılacak işi dikkate alarak bu talimatlara uygun şekilde kullanın. Makinenin kullanım amacı dışındaki işlerde kullanılması tehlikeli durumlara neden olabilir.

- Tutma kollarını ve kavrama yüzeylerini kuru, temiz, benzin ve yağdan uzak tutun. Kaygan tutma kolları ve kavrama yüzeyleri, makinenin beklenmeyen durumlarda güvenli bir şekilde tutulmasına ve kontrol edilmesine izin vermez.

#### AKÜ İLE ÇALIŞAN MAKİNE KULLANIMI VE BAKIMI

- Sadece üretici tarafından belirtilen şarj cihazı ile şarj edin. Bir akü türü için uygun olan şarj cihazı, başka bir akü ile kullanıldığında yangın riski oluşturabilir.
- Makineleri sadece özel olarak tasarlanan akülerle birlikte kullanın. Başka akü türlerinin kullanımını yaralanma ve yangın tehlikesi oluşturabilir.
- Akünün kullanımda olmadığı durumlarda aküyü ataş, bozuk para, anahtar, çivi, vida veya akü kutupları arasında kısa devre yapabilecek diğer metal nesnelere uzak tutun. Akü kutuplarının kısa devre yapılması yangın veya yanıklara neden olabilir.
- Kötü şartlar altında aküden sıvı akışı olabilir; bu sıvı ile temas etmekten kaçının. Yanlışlıkla temas edilirse etkilenen bölgeyi su ile yıkayın. Sıvı göze temas ederse ayrıca tıbbi yardım alın. Aküden akan sıvı tahriş veya yanıklara neden olabilir.
- Hasarlı veya üzerinde değişiklik yapılmış bir aküyü veya makineyi kullanmayın. Hasarlı veya üzerinde değişiklik yapılmış aküler yangın, patlama veya yaralanma riskine neden olacak şekilde beklenmeyen davranışlar gösterebilir.
- Aküyü veya makineyi ateşe veya aşırı sıcaklıklara maruz bırakmayın. Ateşe veya 130°C'nin üzerindeki sıcaklıklara maruz kalması patlamaya neden olabilir.
- Tüm şarj talimatlarına uyun ve aküyü veya makineyi talimatlarda belirtilen sıcaklık aralığının dışındaki sıcaklıklarda şarj etmeyin. Hatalı veya belirtilen sıcaklık aralığının dışındaki sıcaklıklarda şarj etmek, aküye hasar verebilir ve yangın riskini artırır.

#### ÖNEMLİ GÜVENLİK TALİMATLARI

**⚠ UYARI:** Misinalı çim biçme makinesini kullanırken, yangın, elektrik çarpması ve kişisel yaralanma riskini azaltmak için aşağıdakiler de dahil olmak üzere temel güvenlik önlemlerine daima uyulmalıdır:

#### KULLANMADAN ÖNCE DİKKATLİCE OKUYUN

#### GELECEKTE BAŞVURU AMACIYLA SAKLAYIN

**⚠ TEHLİKE:** Elektrik çarpmasına karşı aletin yalıtımına güvenmeyin. Elektrik çarpması riskini azaltmak için, makineyi asla akım taşıyabilecek kabloların (elektrik kablosu, vb.) yakınında kullanmayın.

TR

**⚠ DİKKAT:** Cihazı kullanırken uygun kişisel kulak koruması kullanın. Bazı koşullar altında veya kimi kullanımlarda, bu üründen çıkan ses işitme kaybına yol açabilir.

## Eğitim

- Talimatları dikkatle okuyun. Cihazın kumandalarını ve uygun kullanım şeklini öğrenin.
- Kullanım talimatları hakkında yeterli bilgiye sahip olmayan kişilerin cihazı kullanmasına asla izin vermeyin. Yerel yönetmelikler kullanıcı yaşına sınırlama getirebilir.
- Yakınızdaki başkaları, özellikle de çocuklar veya evcil hayvanlar varken asla kenarları düzeltmeyin.
- Operatör veya kullanıcının, diğer kişilerin veya eşyaların başına gelebilecek yaralanma veya hasarlardan sorumlu olduğunu unutmayın.

## Hazırlık

- Kenarları düzeltirken, her zaman gözlük ve kulaklık kullanın, iyi ayakkabılar ve uzun pantolonlar giyin.
- Cihazın kullanılacağı yüzeyi kontrol edin, tüm taş, sopa, kablo, kemik ve diğer yabancı cisimleri kaldırın.
- Kullanmadan önce bıçakların, bıçak civatasının ve kesme modüllerinin aşınıp aşınmadıklarını veya hasar görüp görmediklerini görsel olarak kontrol edin. Dengeyi korumak için, aşınmış veya hasar görmüş bıçaklarla bıçak civatalarını set olarak değiştirin.

## Çalıştırma

- Sadece gün ışığında veya iyi aydınlatılmış yerlerde kenar düzeltme işlemi yapın.
- Eğimli alanlarda bastığınız yerlerin sağlam olduğundan emin olun.
- Yürüyün, asla koşmayın.
- Geriye giderken veya kenar düzeltme aparatını kendinize doğru çekerken çok dikkatli olun.
- Çim dışındaki yüzeylerden geçirmeden önce ve kenarları kesilecek alana ve buradan başka bir bölgeye taşırken bıçağın tamamen durduğundan emin olun.
- Kenar düzeltme aletini asla kusurlu, eksik veya yanlış takılmış muhafazalarla çalıştırmayın.
- Motor kontrol ayarlarını değiştirmeyin veya motoru aşırı hızlı çalıştırmayın.
- Motoru talimatlara uygun biçimde ve ayaklar bıçaktan/ bıçaklardan yeteri kadar uzak olduğu halde dikkatle çalıştırın.

TR

- Başlatmak için kenar düzeltme aletinin eğilmesi gerekmedikçe açarken eğmeyin. Gerekli ise de kesinlikle gerekli olan miktardan daha fazla eğmeyin ve sadece operatörden uzak olan parçayı kaldırın.
- Bıçağın/bıçakların önünde başka biri duruyorsa motoru çalıştırmayın.
- El ve ayaklarınızı dönen parçaların yakınına veya altında koymayın.
- Her zaman motoru kapatın ve aküyü çıkarın:
  - 1) Tıkanıklıkları temizlemeden önce;
  - 2) Kontrol etmeden, temizlemeden veya bıçak(lar) üzerinde çalışmadan önce;
  - 3) Yabancı bir cisme çarptıktan sonra: Bıçağı/bıçakları hasara karşı kontrol edin ve yeniden başlatmadan e kenar düzeltme aparatını çalıştırmadan önce tamir edin;
  - 4) Kenar düzeltme aparatı anormal biçimde titremeye başlarsa (derhal kontrol edin).
- Kenar düzeltme aparatını bırakacağınız zaman motoru durdurun;
- Pili paketini yağmurlu veya ıslak ortamlarda şarj etmeyin.
- Sadece şek. A'da listelenen pil paketi ve şarj cihazlarını kullanın.
- Pili paketi atılmadan önce cihazdan çıkarılmalıdır.
- Pili güvenli bir şekilde imha edilmelidir.
- Pili ateşe atarak imha etmeyin. Pili hücreleri patlayabilir. Muhtemel özel imha talimatları için yerel kanunları kontrol edin.
- Pili açmayın veya tahrip etmeyin. Açığa çıkan elektrolit aşındırıcıdır ve gözlerin veya cildin zarar görmesine neden olabilir. Yutulması halinde zehirli olabilir.
- Yüzük, bilezik ve anahtar gibi malzemelerle pile kısa devre yaptırmamak için, pilleri tutarken dikkatli olun. Pili veya iletken aşırı ısınabilir ve yanıklara neden olabilir.
- Pille çalışan aletlerin elektrik prizine takılmalarına gerek yoktur; bu nedenle daima çalışır durumdadırlar. Alet kullanılmadığı zaman dahi oluşabilecek muhtemel tehlikelere karşı dikkatli olun. Bakım veya onarım işlemi yaparken dikkatli olun.
- Hortumla yıkamayın; motor ve elektrik bağlantılarına su kaçırmamaya dikkat edin.

## Bakım ve saklama

- Cihazın güvenli koşullarda çalışması için tüm somun, civata ve vidaların sıkı olduğundan emin olun.
- Aşınmış veya hasarlı parçaları değiştirin.

- Bunu yapmak için yetkili olmadıkça makineyi tamir etmeye çalışmayın.
- Sadece üreticinin tavsiye ettiği yedek parça ve aksesuarları kullanın.
- Bakım veya temizlik işlerini yapmadan önce aküyü makineden çıkarın.
- Makineyi düzenli olarak kontrol edin ve bakımını yapın. Makinenin sadece yetkili bir uzman tarafından tamir edilmesini sağlayın.
- Kullanmadığınız zaman, makineyi çocukların ulaşamayacağı bir yerde saklayın.
- Bu kılavuzda yer almayan durumlar meydana gelirse, dikkatli ve sağlıklı davranın. Yardım için EGO Servis Merkeziyle irtibata geçin.
- Bu talimatları saklayın. Talimatlara sık sık müracaat edin ve bu aleti kullanacak diğer kişileri bilgilendirmek için kullanın. Bu aleti başka birine ödünç verirsiniz, ürünün yanlış kullanılmasını ve olası yaralanmaları önlemek için bu talimatları da ürünle birlikte verin.

#### BU TALİMATLARI SAKLAYIN!

#### NOT: EK ÖZEL GÜVENLİK KURALLARI İÇİN ELEKTRİKLİ ALET KAFANIZIN KULLANIM KILAVUZUNA BAKIN.

#### TEKNİK ÖZELLİKLER

Bıçak Uzunluğu	20 cm
Kenar Düzeltme Derinliği	75 mm'ye kadar
Ağırlık	2,26 kg
Çalışma sıcaklığı	-15°C - 40°C
Depolama Sıcaklığı	-20°C - 70°C
Ölçülen ses güç düzeyi $L_{WA}$	92,4 dB(A) K=2,07 dB(A) (PH1400E)
	90,7 dB(A) K=1,46 dB(A) (PH1420E)
	90 dB(A) K=1,3 dB(A) (PHX1600)

Operatör konumundaki ses güç düzeyi $L_{PA}$	79,8 dB(A) K=3 dB(A) (PH1400E)	
	81,2 dB(A) K=3 dB(A) (PH1420E)	
	84 dB(A) K=3 dB(A) (PHX1600)	
Garanti edilen ses güç düzeyi $L_{WA}$ (2000/14/EC uyarınca ölçülmüş)		
Titreşim $a_h$	Ön Tutma Sapı	1,2 m/s <sup>2</sup> K=1,5 m/s <sup>2</sup> (PH1400E)
		1,95 m/s <sup>2</sup> K=1,5 m/s <sup>2</sup> (PH1420E)
		1,6 m/s <sup>2</sup> K=1,5 m/s <sup>2</sup> (PHX1600)
	Arka Tutma Sapı	2,2 m/s <sup>2</sup> K=1,5 m/s <sup>2</sup> (PH1400E)
		1,66 m/s <sup>2</sup> K=1,5 m/s <sup>2</sup> (PH1420E)
		1,53 m/s <sup>2</sup> K=1,5 m/s <sup>2</sup> (PHX1600)

- Yukarıdaki parametreler, PH1400E/PH1420E/PHX1600 elektrikli alet başlığı takılı olarak test edilmiş ve ölçülmüştür;
- Bildirilen toplam titreşim değeri standart test yöntemine uygun olarak ölçülmüştür ve bir cihazı diğer bir cihaz ile karşılaştırmak için kullanılabilir.
- Bildirilen toplam titreşim değeri ayrıca ön maruz kalma değerlendirmesinde de kullanılabilir.

**UYARI:** Elektrikli aletin gerçek kullanımı sırasında meydana gelen titreşim emisyonu aletin kullanım şekline bağlı olarak bildirilen emisyon değerinden farklı olabilir; Operatörü korumak için, kullanıcı gerçek kullanım koşullarında eldiven ve kulak koruması takmalıdır.

TR

## AMBALAJ LİSTESİ

PARÇA ADI	MİKTAR
Kenar Düzeltme Aparatı Aksesuarı	1
Alyen Anahtar	1
Çok Fonksiyonlu Alyen Anahtarı	1
Çatal Pim	2
Kullanma kılavuzu	1

### Tavsiye Edilen Bıçak

PARÇA ADI	MODEL NUMARASI
Kenar Düzeltme Bıçağı	AEB0800

## AÇIKLAMA

### KENAR DÜZELTME ALETİNİZİ TANIYIN (Şek.A)

1. Uç Kapağı
2. Kenar Düzeltme Aparatının Şaftı
3. Bıçak Koruması
4. Bıçak
5. Derinlik Ayarlama Düğmesi
6. Kılavuz Tekerlek
7. Alyen Anahtar
8. Çok Fonksiyonlu Alyen Anahtarı
9. Derinlik Ayarlama Kılavuz Çubuğu
10. Kalıntı Klapesi
11. Çatal Pim
12. Kılavuz plakasını yerine sabitlemek için vida
13. Kılavuz Plakası

TR

## MONTAJ

**⚠ UYARI:** Hasarlı veya eksik parça varsa, bu parçalar değiştirilinceye kadar ürünü çalıştırmayın. Bu ürünün hasarlı veya eksik parçalar ile kullanılması ciddi kişisel yaralanmalara yol açabilir.

**⚠ UYARI:** Bu ürün üzerinde değişiklik yapmaya veya bu misinalı çim biçme makinesi ile kullanılması önerilmeyen aksesuarlar oluşturmaya çalışmayın. Bu tür değişiklikler veya modifikasyonlar hatalı kullanımdır ve ciddi kişisel yaralanmalara neden olabilen tehlikeli bir duruma sebep olabilir.

**⚠ UYARI:** Ciddi kişisel yaralanmalara neden olabilen yanlışlıkla çalışmayı önlemek için parçaları monte ederken aküyü mutlaka makineden çıkarın.

**⚠ UYARI:** Siperi monte ederken veya değiştirirken daima eldiven takın. Siper üzerindeki bıçağa ve elinizin kesilmemesine dikkat edin.

**⚠ UYARI:** Siper düzgün şekilde takılı değilken asla makineyi kullanmayın. Siper, kullanıcıyı korumak için daima makineye takılı durumda olmalıdır! Siper takılıyken, asla siperi çıkarmaya veya ayarlamaya çalışmayın, değiştirilmesi gerekirse, yetkili bir servis teknisyeni tarafından gerçekleştirilmelidir!

### ELEKTRİKLİ ALET KAFASINA BİR KENAR DÜZELTME APARATI BAĞLAMA

Bu kenar düzeltme aparatı EGO 56V Lityum-iyon Elektrikli Alet Kafası PH1400E/PH1420E/PHX1600 ile kullanılmak üzere tasarlanmıştır.

Elektrikli alet kafası PH1400E/PH1420E/PHX1600'nin kullanım kılavuzunda yer alan "ELEKTRİKLİ ALET KAFASINA BİR AKSESUAR TAKMA" bölümüne bakın.

## ÇALIŞTIRMA

**⚠ UYARI:** Ürüne aşına olmadan sizi dikkatsiz yapmasın. İkinci dereceden bir dikkatsizliğin ciddi yaralanmalara neden olmak için yeterli olduğunu unutmayın.

**⚠ UYARI:** Daima yan siperleri olan göz koruması kullanın. Kulak koruması ile birlikte kullanın. Böyle yapılmaması sonucu gözlerinize fırlayan nesnelere ciddi kişisel yaralanmalara neden olabilir.

### UYGULAMALAR

Bu ürünü aşağıda listelenen amaçlar için kullanabilirsiniz:

- Yürüyüş yolları, bordürler, çiçek yatakları ve benzeri alanların etrafında kenar düzeltme.

**DİKKAT:** Alet sadece belirtilen amaç için kullanılmalıdır. Diğer kullanım şekilleri hatalı kullanım olarak kabul edilir.

**Her kullanımdan önce hasarlı/aşınmış parça olup olmadığını kontrol edin.**

Çarpma başlığını, koruyucuyu ve ön yardım kolunu kontrol edin ve çatlak, kıvrılmış, eğik veya hasarlı kesim parçalarını değiştirin.

**⚠ UYARI:** Ciddi kişisel yaralanmaları önlemek için, aksesuarlara bakım veya onarım, temizlik, değişim yapmadan veya makineden malzeme çıkarmadan önce aküyü çıkarın.

### ELEKTRİKLİ ALET KAFASI İLE KENAR DÜZELTME APARATINI KULLANMA

**⚠ UYARI:** Bu cihazı kullanırken yaralanma riskini azaltmak için uygun şekilde giyinin. Bol giysiler giymeyin veya takı takmayın. Göz ve kulak/işitme koruması takın. Dayanıklı, uzun pantolon, eldiven ve bot giyin. Kısa pantolon, sandalet giymeyin veya çıplak ayakla çalışmayın. Çalışma ortamı tozluysa, yüz veya toz maskesi takın.

**⚠ UYARI:** Çalışma alanındaki tüm engelleri ve katı nesnelere temizleyin.

Güvenli ve daha iyi çalışma için, omzunuza omuz askısını takın. Omuz askısını rahat bir şekilde konumuna ayarlayın. Kenar düzeltme aparatını sağ elinizle arka tutma sapından ve sol elinizle ön yardım kolundan tutarak kullanın. Aleti kullanırken iki elinizle sağlam bir şekilde tutun. Kenar düzeltme aparatı kalça yüksekliğinde arka tutma kolu ile rahat bir pozisyonda tutulmalıdır (Şek. B).

**⚠ UYARI:** Omuz askısı ayrıca tehlikeli durumlarda hızla çıkarılabilen bir mekanizmadır. Acil bir durumda, askı hangi şekilde takılı olursa olsun derhal omuzunuzdan çıkarın.

### Her kullanımın ardından, kenar düzeltme aparatını temizleyin

Temizleme talimatları için BAKIM bölümüne bakın.

### KESME DERİNLİĞİNİ AYARLAMA

1. Motoru durdurun ve aküyü çıkarın.
2. Derinlik ayarlama düğmesini düğme üzerinde işaretlenmiş kilit açma okunun yönünde gevşetin (Şek. C).
3. Kılavuz tekerleği derinlik ayar kılavuz çubuğu boyunca yukarı hareket ettirerek kesim derinliğini arttırın veya aşağı hareket ettirerek derinliği azaltın (Şek. D).
4. Kılavuz tekerleği, bıçak sadece yere temas edecek veya toprak yüzeyini 5mm'den fazla yarmayacak şekilde ayarlayın ve daha sonra güvenli bir şekilde sıkın.
5. Normal çalışma konumunda ayakta durarak, tekrar kesme derinliğini kontrol edin ve gerekirse düzeltin.

### ALET BAŞLATMA/DURDURMA

Elektrikli alet kafası PH1400E/PH1420E/PHX1600'nin kullanım kılavuzundaki "ELEKTRİKLİ ALET KAFASINI DURDURMA/BAŞLATMA" bölümüne bakın.

### ÇALIŞMA İPUÇLARI

- Elektrikli alet kafasını bıçak dik olacak şekilde tutun ve yönlendirin. Bıçağı yatak kenarı ile yukarı bakacak şekilde hizalamak için görüş hattını kullanın (Şek. F).
- Normal yürüme hızının üstünde çalıştırmayın. Bıçak çamura saplanmaya başlarsa çok hızlı kenar düzeltme yapıyorsunuz demektir; hızınızı düşürün.
- Keserken daima ileriye doğru yürüyün ve kenar düzeltme aletini de ileriye doğru hareket ettirin. Kenar düzeltme aletini kendinize doğru çekmeyin.
- Bıçağı toprağa doğru zorlamayın. Bıçağın kaldırım kenarına, bordür, vb. yüzeylere hafifçe temas etmesi kabul edilebilir ve kenar düzeltme aletine zarar vermez.
- En iyi sonuçlar çim kuru olduğunda elde edilir. Islak toprak veya ıslak çimli alanlarda veya bıçağın çamura batabileceği ve düz olmayan bir şekilde kesme ile sonuçlanabilecek yerlerde kenar düzeltme işlemi yapmaktan kaçınınız. Bıçak muhafazası tıkanıp durduğunda, motoru durdurun, aküyü çıkarın ve bıçak muhafazasından kalıntıları temizleyin.

### BAKIM

**⚠ UYARI:** Ünitenin denetim, temizlik veya bakımından önce motoru durdurun ve tüm hareketli parçaların durmasını bekleyin, ardından aküyü çıkarın. Bu talimatlara uyulmaması ciddi kişisel yaralanmalar veya maddi hasara yol açabilir.

**⚠ UYARI:** Bakım ve onarım sırasında birbirini yedeğe parçaları kullanın. Diğer parçaların kullanılması tehlike oluşturabilir veya ürünün hasar görmesine neden olabilir. Güvenliği ve güvenilirliği sağlamak için, tüm onarım işlemleri yetkili bir servis teknisyeni tarafından gerçekleştirilmelidir.

### GENEL BAKIM

Plastik parçaları temizlerken çözücü maddeler kullanmaktan kaçınınız. Plastikler çeşitli ticari çözücü türlerinden kötü yönde etkilenmeye yatkındır ve kullanılmaları durumunda zarar görebilirler. Kir, toz, yağ, gres, vb. gidermek için temiz bez kullanın.

### CİHAZIN TEMİZLENMESİ

- Her kullanımdan sonra, bıçak ve muhafazanın üzerindeki kalıntıları, tıkanmış toprakları ya da çimlere yumuşak bir fırça ile temizleyin. Kenar düzeltme aparatının yüzeyini, yumuşak sabun solüsyonu ile nemlendirilmiş, temiz bir bezle silin.
- Arka gövdedeki hava deliklerinde bulunan tıkanıklığı temizlemek için küçük bir fırça veya elektrikli süpürgeyi hava çıkışı için kullanın.

**DİKKAT:** Plastik gövde veya tutma kolu üzerinde güçlü deterjanlar kullanmayın. Çam ve limon gibi belirli aromatik yağlar bu yüzeylere zarar verebilir.

## BIÇAĞI DEĞİŞTİRME

**⚠ UYARI:** Bükülmüş ya da çatlamış bir bıçağı düzeltmeye veya kaynak yapmaya kalkışmayın, değiştirilmesi gerekir. Sadece EGO kenar düzeltme aparatı bıçağı ile değiştirilmesi tavsiye edilir, "Önerilen Bıçak" bölümüne bakın.

**DİKKAT:** Uzunluğu, gerekli zemin boşluğunu korumak ve istenen kesim derinliğini elde etmek için artık yeterli değilse bıçağı değiştirin.

**⚠ UYARI:** Kenar düzeltme aparatının bıçağına bakım yaparken dayanıklı eldivenler takarak ve/veya bıçağın üstünü ve diğer malzemeleri sararak ellerinizi koruyun.

### Bıçağın çıkarılması

1. Motoru durdurun ve aküyü çıkarın.
2. Kenar kesme aparatını bıçak yukarı bakacak şekilde yatırın.
3. Koruyucu eldiven giyin. Motor şaftından çatal pimini çıkarmak için bir kargaburnu pense (dahil değildir) kullanın (Şek. G).
4. Flaştaki yuvayı vites kutusundaki delik ile hizalamak için bıçağı döndürün (Şek. G).

Şek. G parça açıklaması aşağıdaki gibidir:

G-1	Çatal Pim
G-2	İç Flanş
G-3	Dişli Kutusu

5. Stabilizatör olarak hareket etmek için hizalanmış deliklere verilen alyen anahtarları yerleştirin. Verilen çok fonksiyonlu anahtar somunu **SAAT YÖNÜNDE** gevşetmek için kullanın (Şek. H).
6. Somunu, dış flanş, bıçak ve motor şaftını iç flanştan çıkartın. Onları kontrol edin ve ancak aşınmışlarsa değiştirin.

Şek. I parça açıklaması aşağıdaki gibidir:

I-1	Motor Şaftı	I-5	Bıçak
I-2	İç Flanş	I-6	Dış Flanş
I-3	İç Flaştaki Yuva	I-7	Somun
I-4	İç Flaştaki Çıkıntı	I-8	Çatal Pim

### Bıçağın takılması

1. Çıkıntı dışa dönük halde motor şaftına iç flanşı yerleştirin (Şek. I).
2. Bıçağın yerine güvenli bir şekilde monte edildiğinden emin olarak, yeni bıçağı iç flanşa takın (Şek. J).
3. Dış flanş ve somunu şafta monte edin ve somunu elle **SAAT YÖNÜNÜN TERSİNE** döndürerek önceden sıkın.
4. Bıçağı sabitlemek amacıyla somunu **SAAT YÖNÜNÜN TERSİNE** güvenli bir şekilde sıkılmak için yukarıdaki "Bıçağı çıkarma" bölümündeki 4 ve 5 sayılı adımları takip edin.
5. Motor şaftındaki deliğe verilen yeni çatal pimini takın. Kargaburnu pense (dahil değil) ile pimin iki ayağını zıt yönde bükün (Şek. G).

### KILAVUZ TEKERLEĞİ DEĞİŞTİRME

1. Motoru durdurun ve aküyü çıkarın.
2. Kenar kesme aparatını kılavuz tekerlek yukarı bakacak şekilde yatırın.
3. Derinlik ayarlama düğmesini düğme üzerinde işaretlenmiş kilit açma okunun yönünde gevşetin ve çıkarın.
4. Yaylı rondela, düz rondela 1, kılavuz tekerlek, burç ve düz rondela 2'yi vida uçlu saptan çıkarın (Şek. K). Onları kontrol edin ve ancak aşınmışlarsa değiştirin.
5. Önce ilk derinlik ayarı kılavuz çubuğundan vida uçlu sapı monte edin, ardından düz rondela 2'yi, burcu ve yeni tekerleği takın, sonra düz rondela 1'i, yaylı rondelayı ve derinlik ayar düğmesini vida uçlu sapa Şek. K'da gösterilen sıra ile takın.

Şek. K parça açıklaması aşağıdaki gibidir:

K-1	Derinlik Ayarlama Düğmesi	K-5	Burç
K-2	Yaylı Rondela	K-6	Düz Rondela 2
K-3	Düz Rondela 1	K-7	Vida Uçlu Sap
K-4	Kılavuz Tekerlek	K-8	Derinlik Ayarlama Kılavuz Çubuğu

**DİKKAT:** Kılavuz tekerlek düz çıkıntıları içeri bakacak şekilde monte edilmelidir (Şek. L).

Şek. L parça açıklaması aşağıdaki gibidir:

L-1	Vidalar	L-3	Kalıntı Klapesi
L-2	Düz Çıkıntı	L-4	Montaj Plakası

6. Derinlik ayar düğmesini kilitleyin.



### KALINTI FLAPESİNİN DEĞİŞTİRİLMESİ (Şek. L)

1. Motoru durdurun ve aküyü çıkarın.
2. İki vidayı gevşetmek için verilen alyen anahtar kullanın.
3. Vidaları, montaj plakasını ve aşınmış kalıntı klapesini çıkarın.
4. Yeni bir kalıntı klapesi ile değiştirin ve montaj plakası ve ili vida ile yerine kilitleyin.

### AŞINMAYA KARŞI KORUYUCU MUHAFAZA/ KILAVUZ PLAKASINI KONTROL ETEDİLMESİ VE DEĞİŞTİRİLMESİ (Şek. M)

Elektrikli aleti çalıştırmaya başlamadan önce aşınmaya karşı koruyucu muhafaza ve kılavuz plakasını hasara karşı kontrol edin. Aşınma karşı koruyucu muhafaza dişli kutusu görünür hale geldiğinde en kısa sürede değiştirilmelidir.

**DİKKAT:** Dişli kutusu görünür görünmez aşınmaya karşı koruyucu muhafazayı en kısa sürede değiştirmezseniz dişli kutusu ciddi şekilde zarar görebilir.

1. Motoru durdurun ve aküyü çıkarın.
2. Koruyucu eldiven giyin. İki vidayı açığa çıkarmak için bıçağı gerektiği gibi döndürün.
3. İki vidayı gevşetmek için verilen alyen anahtar kullanarak çıkarın.

**DİKKAT:** Sadece kılavuz plakasını değiştirmeniz gerekirse, sadece vida 1'i gevşetin ve çıkarın.

4. Deforme olmuş ve aşınmış aşınmaya karşı koruyucu muhafazı/kılavuz plakasını değiştirin.
5. Yeni aşınmaya karşı koruyucu muhafazayı ve kılavuz plakasını dişli kutusuna takın ve iki vida ile onları kilitleyin.

Şek. M parça açıklaması aşağıdaki gibidir:

M-1	Vida 1	M-4	Aşınmaya Karşı Koruyucu Muhafaz
M-2	Kılavuz Plakası	M-5	Montaj Delikleri
M-3	Vida 2	M-6	Dişli Kutusu

### KILAVUZ PLAKANIN ÇIKARILMASI

Bu tür kenar düzeltme aparatı kullanımında deneyimliseniz ya da kılavuz plakasının kenar düzeltme işleminize engel olduğunu düşünüyorsanız kılavuz plakasını çıkarabilirsiniz.

1. Vida 1'i gevşetin ve çıkarın.
2. Kılavuz plakasını sökün.
3. Vida 1'i yerine takın ve sıkın.

### TRANSMİSYON DİŞLİLERİNİN YAĞLANMASI

Dişli kutusundaki transmisyon dişlileri periyodik olarak dişli gresi ile yağlanmalıdır. Dişli kutusunun gres seviyesini her 50 saatlik çalışmada bir kutunun yanındaki sızdırmazlık vidasını sökerek kontrol edin.

Dişli kenarlarında hiçbir gres görülemezse, aşağıdaki adımları takip ederek dişliyi 3/4 kapasitesi kadar gres ile yağlayın.

Transmisyon dişlilerini tamamen doldurmayın.

1. Kenar düzeltme aletini sızdırmazlık vidası yukarı bakacak şekilde dik olarak yerleştirin (Şek. N).
2. Verilen çok fonksiyonlu anahtar somunu sızdırmazlık vidasını çıkarmak için kullanın. Vida deliğine biraz gres enjekte etmek için bir gres şırıngası (dahil değildir) kullanın; 3/4'lük kapasiteyi aşmayın.
3. Enjeksiyondan sonra sızdırmazlık vidasını sıkın.

### CİHAZIN SAKLANMASI

- Kenar düzeltme aparatından aküyü çıkarın
- Cihazı saklamadan önce tamamen temizleyin.
- Kenar düzeltme aparatı aksesuarı elektrikli alet kafasından çıkarılırsa ve ayrı olarak saklanırsa, uç kapağını aksesuar şaftına takarak kaplöre kir girmesini önleyin.
- Cihazı çocukların ulaşamayacağı kuru, iyi havalandırılmış, kilitli ve yüksek bir yerde muhafaza edin. Gübre, benzin veya diğer kimyasal maddelerin yanında saklamayın.

### Çevre koruması



Elektrikli cihazları, kullanılmış aküyü ve şarj cihazını evsel atıklarla bertaraf etmeyin! Bu ürünü yetkili bir geri dönüşüm merkezine götürün ve ayrı bir şekilde toplanmasını sağlayın. Elektrikli makineler çevreyle uyumlu bir geri dönüşüm tesisine iade edilmelidir.

TR

## SORUN GİDERME

SORUN	NEDENİ	ÇÖZÜM
Motor başlatılmıyor.	<ul style="list-style-type: none"><li>■ Akü elektrikli alet kafasına takılı değil.</li><li>■ Elektrikli alet kafası ve akü arasında elektrik teması yok.</li><li>■ Pil paketi boş.</li><li>■ Kilitleme düğme tetiğe aynı anda basılmıyor.</li></ul>	<ul style="list-style-type: none"><li>■ Aküyü elektrikli alet kafasına takın.</li><li>■ Aküyü çıkarın, temas noktalarını kontrol edin ve yerine oturana kadar aküyü yeniden takın.</li><li>■ Aküyü bu kılavuzda belirtilen EGO şarj cihazları ile şarj edin.</li><li>■ Kilitleme düğme basılı tutun, ardından tetik düğmesine basarak makineyi çalıştırın.</li></ul>
Elektrikli alet kafası çalışma esnasında duruyor.	<ul style="list-style-type: none"><li>■ Motor aşırı yüklenmiş.</li><li>■ Akü veya elektrikli alet kafası çok sıcak.</li><li>■ Akü ile aletin bağlantısı kesilmiş.</li><li>■ Akü boş.</li></ul>	<ul style="list-style-type: none"><li>■ Yük kaldırıldığında motor normale dönecektir. Sürekli çalışma için elektrikli alet kafasının yükünü azaltın.</li><li>■ Akünün veya elektrikli alet kafasının 67°C'ın altına düşünceye kadar soğumasını bekleyin.</li><li>■ Aküyü yeniden takın.</li><li>■ Aküyü bu kılavuzda belirtilen EGO şarj cihazları ile şarj edin.</li></ul>
Düz olmayan kenar	<ul style="list-style-type: none"><li>■ Çim ve toprak kenarları çok ıslak.</li><li>■ Bıçak muhafazası tıkanmış.</li></ul>	<ul style="list-style-type: none"><li>■ Islak toprak veya ıslak zeminde kenarları düzeltmekten kaçınin.</li><li>■ Motoru durdurun, aküyü çıkarın ve bıçak muhafazasındaki kalıntıları temizleyin.</li></ul>

## GARANTİ

TR

### EGO GARANTİ POLİTİKASI

EGO Garanti politikasına ilişkin tüm hüküm ve koşullar için, lütfen [egopowerplus.eu](http://egopowerplus.eu) adresindeki web sitemizi ziyaret edin.

## LUGEGE KÕIKI JUHISEID!



### LUGEGE KASUTUSJUHENIDIT

**⚠ HOIATUS:** Ohutuse ja töökindluse tagamiseks tohivad seda seadet remontida ainult vastava kvalifikatsiooniga hooldustehnikud.

## OHUTUSSÜMBOLID

Ohutussümbolite eesmärk on tõmmata teie tähelepanu võimalikele ohtudele. Ohutussümbolitele ja nende juures olevatele seletustele tuleb korralikult tähelepanu pöörata ja need endale selgeks teha. Ohutussümbolid iseenesest ei kõrvalda ohu olemasolu. Nendega kaasnevad juhendid ja hoiatused ei asenda korralikke õnnetuste vältimise meetmeid.

**⚠ HOIATUS:** Enne käesoleva seadme kasutamist lugege kindlasti läbi ja tehke endale selgeks kõik Kasutusjuhendis toodud ohutusjuhised, sh kõik ohutussümbolid nagu „OHT”, „HOIATUS”, ja „ETTEVAATUST”. Kui te ei järgi kõiki allpool toodud juhiseid, võib tekkida elektrilöögi, tulekahju ja/või raske kehavigastuse oht.

## SÜMBOLITE TÄHENDUSED

**⚠ TURVATEATE SÜMBOL** Tähistusega OHT, HOIATUS, või ETTEVAATUST. Võidakse kasutada koos teiste sümbolite või piktograafidega.








**⚠ HOIATUS:** Mis tahes elektriliste tööriistade kasutamine võib põhjustada võõrkehade paiskumist silma, mis võib põhjustada tõsiseid silmakahjustusi. Kandke elektriliste tööriistade kasutamise ajal alati külgakaitsetega kaitseprille ja vajadusel täielikku näokaitset. Soovitame kanda prillide peal laia vaatealaga kaitsemaski või tavalisi külgakaitsetega kaitseprille.

## OHUTUSJUHISED

Sel lehel on kujutatud ja kirjeldatud ohutusesümboliteid, mida võib käesolevalt tootelt leida. Enne, kui üritate masinat kokku panna ja kasutada, lugege, tehke omale selgeks ja järgige kõiki juhiseid.

	Ohutusteade	Viitab kehavigastuste ohule.
	Lugege kasutusjuhendit	Et vähendada vigastuste ohtu, peab kasutaja enne toote kasutamist lugema kasutusjuhendit ja selle endale selgeks tegema.
	Kasutage kuulmisja silmakaitset	Kandke selle toote kasutamise ajal alati kaitseprille või külgakaitsetega kaitseprille ja täielikku näokaitset.
	Servalõikuri tera pikkus	Servalõikuri tera pikkus
	Ärge pange jalgu masina lähedusse	Lõikevigastuste ohtu vähendamiseks hoidke jalgu pöörlevatest teradest eemal.
	Servalõikuri tera pöörle-mise suund	Näitab servalõikuri lõiketera pöörlemise suunda.
	Lenduvad esemed	Enne töö alustamist kontrollige tööala ja eemaldage sealt kivid, oksad, traadid ja muud võõrkehad.
	Kandke ohutusjalatseid.	Seda seadet kasutades kandke mittelibseva tallaga ohutusjalatseid.
	Pöörlev lõiketera	Ärge asetage oma käsi või jalgu pöörlevate osade alla või lähedale.
	Hoidke elektrilülititega piisavat vahet.	Elektrilöögi vältimiseks ärge kasutage seadet elektriühiniinidele lähemal kui 15 m. Kokkupuude elektriliinidega või nende läheduses töötamine võib põhjustada raskeid vigastusi või anda surmava elektrilöögi.

ET

	CE	Toode vastab rakendatavatele EÜ direktiividele.
	UKCA	See toode vastab asjakohastele UK seadustele.
	WEEE	Elektritoodete jäätmetest ei tohi vabaneda olmejäätmete seas. Viige heaks kiidetud taaskäitleja juurde.
	Müra	Tagatud helivõimsuse tase. Müraemissioon keskkonda vastavalt Euroopa Ühenduse direktiividele.
V	volti	Pinge
mm	Millimeeter	Pikkus või suurus
cm	Sentimeeter	Pikkus või suurus
kg	Kilogramm	Kaal
	alalisvool	Voolu tüüp või omadus

## ÜLDISED MASINA OHUTUSHOIATUSED

**⚠ HOIATUS! Lugege läbi kõik seadmega kaasas olevad hoiatused, juhised, joonised ja andmed.**

Alltoodud juhiste eiramine võib põhjustada elektrilööki, tulekahju ja/või tõsiseid vigastusi.

## SÄILITAGE HOIATUSED JA JUHISED HILISEMAKS KASUTUSEKS.

Hoiatustes olev mõiste „masin“ viitab teie vooluvõrguga juhitavale (juhtmega) masinale või akutoitega (juhtmeta) masinale.

## TÖÖPIIRKONNA OHUTUS

- **Tööpiirkond peab olema puhas ja hästi valgustatud.** Täis kuhjatud või valgustamata tööpiirkonnad võivad põhjustada õnnetusi.
- **Ärge kasutage masinaid plahvatusohtlikus keskkonnas, kus leidub nt tuleohtlikke vedelikke, gaase või tolmu.** Masinad tekitavad sädemeid, mis võivad süüdata tolmu või aursid.
- **Elektritööriistadega töötamisel hoidke lapsed ja kõrvalised isikud eemal.** Tähelepanu hajumisel võite kaotada kontrolli seadme üle.

## ELEKTRIOHUTUS

- **Elektritööriistad tuleb ühendada sobivasse pistikupessa. Ärge kunagi modifitseerige pistikut mitte mingil viisil. Ärge kasutage maandatud pistikuadaptereid koos Modifitseerimata pistikud ja sobivad pistikupesad vähendavad elektrilöögi ohtu.**
- **Vältige kehalist kontakti maandatud pindadega (nt torud, radiaatorid, katted, külmikud).** Kui teie keha on maandatud, suureneb elektrilöögi oht.
- **Ärge kasutage seadet vihmas ega niisketes tingimustes.** Seadmesse sattuv vesi võib suurendada ohtu elektrilöögi riski või seadme rikkeks, mis võivad põhjustada kehavigastusi.
- **Ärge kahjustage juhet. Ärge kasutage juhet laadija kandmiseks või tõmbamiseks ja ärge tõmmake juhtmest, kui soovite pistikut pistikupesast eemaldada.** Vältige juhtme kokkupuudet kuumade esemete, õli, teravate servade või liikuvate osadega. Kahjustatud või puntras juhe suurendab elektrilöögi ohtu.
- **Elektritööriistaga välitingimustes töötamiseks kasutage välitingimustes sobivat pikendusjuhet.** Välitingimustesse sobiva juhtme kasutamine vähendab elektrilöögi ohtu.
- **Kui peate kindlasti seadet märke kohas kasutama, kasutage toiteallikat, millel on rikkevoolukaitselülit (GFCI).** Rikkevoolukaitselülit kasutamine vähendab elektrilöögi ohtu.

## ISIKLIK OHUTUS

- **Olge tähelepanelik, töötage hoolikalt ja kasutage tervet mõistust.** Ärge kasutage elektritööriista, kui olete väsinud, või rohtude, alkoholi või narkootikumide mõju all. Isegi hetkeline tähelepanematus masina kasutamise ajal võib põhjustada tõsiseid vigastusi.
- **Kasutage isikukaitsevahendeid. Kandke alati silmakaitsevahendeid.** Töötajatele vastava kaitsevahendite turvajalanõude, kiivri või kuulmiskaitsevahendite kasutamine vähendab kehavigastuste ohtu.
- **Vältige seadme tahtmatut käivitamist. Enne tööriista vooluvõrgu ja/või akuplokiga ühendamist ning enne tööriista kandmist või üles tõstmist veenduge, et lüliti on mitteaktiivses asendis.** Seadmete kandmine sõrme lülilit hoides või aktiivses olekus lülitiga põhjustab õnnetusi.
- **Enne tööriista sisselülitamist eemaldage sellelt kõik reguleerimis- ja muutmehhanismid.** Elektritööriista pöörleva osa külge unustatud võtmed vms tööriistad võivad põhjustada kehavigastusi.

- **Ärge küünitage liiga kaugemale. Töötage ainult kindlal pinnal ja kohtades, kus pole ohtu tasakaalu kaotada.** Nii säilitate ootamatutes olukordades elektritööriista üle parema kontrolli.
- **Riietuge asjakohaselt. Ärge kandke ehteid ega avaraid riideid.** Vältige oma juuste ja riiete kokkupuudet liikuvate osadega. Liiga avarad riided, ehted ja pikad juuksed võivad liikuvate osade vahele kinni jääda.
- **Kui tootega on kaasas vahendid tolmuärastus- ja kogumisseadmete ühendamiseks, siis veenduge, et need seadmed on korralikult ühendatud ja asjakohases kasutuses.** Tolmukogumisseadmete kasutamine vähendab tolmu seotud ohtusid.
- **Isegi kui seade on teile sagedase kasutamise tulemusel harjumuspäraseks saanud, ärge laske ennast lödvaks ega ignoreerige tööriista kasutamise ohutusreegleid.** Hooletuse tõttu võite saada tõsiseid vigastusi ka sekundi murdosa jooksul.

#### SEADME KASUTAMINE JA HOOLDUS

- **Ärge avaldage seadmele jõudu. Kasutage konkreetseks tööks sobivat elektritööriista.** Sobiva elektritööriistaga sobival kiirusel töötades saate töö tehtud kiiresti ja ohutult.
- **Ärge kasutage seadet, mida ei saa lülitist sisse ega välja lülitada.** Tööriist, mille lüliti ei tööta, on ohtlik ja tuleb parandada.
- **Eemaldage pistik vooluvõrgust ja/või akuplokk seadme küljest, kui see on eemaldatav, enne seadme kohandamist, tarvikute vahetamist või elektritööriista hoiustamist.** Selliste ohutusmeetmete rakendamisel vähendate elektritööriista tahtmatu käivitamise ohtu.
- **Hoidke seisvat seadet lastele kättesaamatus kohas ja ärge lubage seadet kasutada isikutel, kes ei tunne seadet ega neid juhiseid.** Seadmed on väljaõppeta isikute käes ohtlikud.
- **Hooldage nii elektritööriista kui tarvikuid. Kontrollige, kas komponendid on korrektselt joondatud ja ega ükski osa paindunud pole ning jälgige ka muid aspekte, mis võiksid masina omadusi mõjutada.** Kui see on kahjustatud, laske masin enne kasutamist parandada. Paljude õnnetuste põhjuseks on kehvasti hooldatud masinad.
- **Hoidke löiketööriistad teravad ja puhtad.** Korralikult hooldatud ja teravate servadega löiketööriistad ei kiilu nii kergesti kinni ja on lihtsamini kontrollitavad.

- **Kasutage seadet, selle tarvikuid, tööriistaosi jm vastavalt käesolevale juhendile, võttes arvesse töötingimusi ja teostatavat tööd.** Masina mittesihipärane kasutamine võib põhjustada ohtlikke olukordi.
- **Hoidke käepidemed ja haardepinnad kuivad ja puhtad ning vältige neile õli ja rasva sattumist.** Libedad käepidemed ja haardepinnad takistavad seadme ohutut kasutamist ning ootamatutes olukordades käitsemist.

#### AKUSEADME KASUTAMINE JA HOOLDUS

- **Kasutage laadimiseks ainult tootja poolt ette nähtud laadijaid.** Akulaadija, mis sobib teatud tüüpi akuplokkile, võib põhjustada tulekahju ohtu, kui kasutada seda mõne teise akuplokkiga.
- **Kasutage seadmeid ainult nende jaoks ette nähtud akuplokkidega.** Mõne muu akuploki kasutamine võib põhjustada vigastuste ja tulekahju ohtu.
- **Kui akut ei kasutata, hoidke seda eemal muudest metallesemetest nagu kirjaklambrid, mündid, võtmed, naelad, kruvid ja muud väikesed metallesemed, mis võivad klemmide vahel ühenduse luua.** Akuklemmide lühiühendus võib põhjustada põletushaavu ja tulekahju ohtu.
- **Valedes tingimustes kasutamisel võib akust vedelikku välja tulla; vältige kokkupuudet sellega.** Kokkupuute korral loputage veega. Kui vedelik satub silma, pöörduge lisaks ka arsti poole. Akust erituv vedelik võib põhjustada ärritust või põletusi.
- **Ärge kasutage kahjustunud või modifitseeritud akuplokki või tööriista.** Kahjustunud või modifitseeritud akud võivad toimida ettearvamatu, mille tagajärjeks võib olla tulekahju, plahvatus või vigastuste oht.
- **Vältige akuploki või tööriista kokkupuudet tule või liiga kõrge temperatuuriga.** Kokkupuude lahtise tule või temperatuuriga üle 130 °C võib põhjustada plahvatuse.
- **Järgige kõiki laadimisjuhiseid ja ärge laadige akuplokki või tööriista vale temperatuuri juures (vt juhiseid).** Valesi või valel temperatuuril laadimine võib kahjustada akut ja suurendada tulekahju ohtu.

#### Olulised ohutusjuhised

**⚠ HOIATUS:** Juhtmeta trimmerite kasutamisel tuleb alati järgida järgnevaid elementaarseid ohutusõundeid. Sedasi väldite tulekahju, elektrilöögi ja vigastuste ohtu.

#### ENNE KASUTAMIST LUGEGE TÄHELEPANELIKULT.

#### HOIDKE ALLES.

ET

**⚠ OHT:** Ärge eeldage, et tööriista isolatsioonikiht tagab täieliku kaitse elektrilöögi eest. Elektrilöögi ohu vähendamiseks ärge kasutage seadet niisuguste juhtmete ega (voolu- jm.) kaablite läheduses, mis võivad olla voolu all.

**⚠ ETTEVAATUST:** Töö ajal kasutage sobivat kuulmiskaitset. Sõltuvalt töötingimustest ja töö kestusest võib selle seadme tekitatav müra ka kuulmist kahjustada.

## Koolitus

- Lugege juhend hoolikalt läbi. Tutvuge juhtseadmetega ja seadme korrektse kasutamise põhimõtetega.
- Ärge lubage seadet kasutada lastel ega inimestel, kes pole tutvunud käesoleva juhendiga. Kohalikud seadused võivad seada seadme kasutajatele vanusepiiranguid.
- Ärge kasutage servalõikurit teiste inimeste (eriti laste) või loomade läheduses.
- Pidage meeles, et seadme kasutaja vastutab teiste inimeste või nende varaga juhtuvate õnnetuste eest.

## Ettevalmistus

- Kandke servalõikuri kasutamisel alati silma- ja kõrvakaitset, asjakohaseid jalatseid ja pikki pükse.
- Enne töö alustamist kontrollige tööala ja eemaldage sealt kivid, oksad, traadid ja muud võõrkehaded.
- Enne seadme kasutamist kontrollige alati visuaalselt ega terad, tera polt või lõikur kulunud või kahjustatud pole. Ühtlase töötulemuse huvides vahetage terasid ja polte alati komplektis.

## Kasutamine

- Kasutage servalõikurit ainult päevasel ajal või hea kunstliku valgustusega.
- Kallakutel jälgige jalgealust eriti tähelepanelikult.
- Kõndige, ärge jookske.
- Servalõikurit enda poole tõmmates olge väga ettevaatlik.
- Kui ületate teisi pindasid peale muru või transpordite servalõikurit tööalale veenduge esmalt, et tera on peatunud.
- Ärge kunagi kasutage servalõikurit, mis on kahjustatud või mille kaitsekatted on puudu või valesti paigaldatud.
- Ärge muutke mootori regulaatori sätteid ega määrake lubatust suuremale kiirusele.
- Lülitage mootor sisse vastavalt juhistele ja ettevaatlikult, hoides jalgu teradest eemal.

- Ärge kallutage seadet mootori sisselülitamisel, välja arvatud juhul kui võsalõikurit peab käivitamiseks kallutama. Sellisel juhul ärge kallutage seadet kaugemale kui hädavajalik ning tõstke ainult seda osa, mis jääb operaatorist kaugemale.
  - Ärge käivitage mootorit, kui terade ees seisab teisi isikuid.
  - Ärge asetage oma käsi või jalgu pöörlevate osade alla või lähedale.
  - Lülitage mootor välja ja eemaldage aku alati, kui:
    - 1) eemaldate ummistusi,
    - 2) kontrollite, puhastate või parandate tera(sid),
    - 3) terad on kokku pörganud võõrkehadega ja peate enne taaskäivitamist kontrollima nende võimalikke kahjustusi,
    - 4) märkate ebanormaalselt vibratsiooni (kontrollige kohe).
  - Peatage mootor alati, kui servalõikurist eemale liigute.
  - Ärge laadige akuplokki niisketes ega märgades tingimustes.
  - Kasutage ainult joonisel A esitatud akuplokke ja laadijaid.
  - Akuplokk tuleb seadmelt enne selle tööea lõppu eemaldada.
  - Aku käitlemisel tuleb järgida ohutusreegleid.
  - Ärge hävitage akusid põletamise teel. Need võivad plahvatada. Tutvuge kohalike eeskirjadega, et leida võimalikke erijuhtumite akude ja patareide kõrvaldamiseks.
  - Ärge avage ega lõhkuge akut. Väljjuv elektrolüüt on korrodeeriv ning võib silmi ja nahka vigastada. Allaneelamisel võib see mürgine olla.
  - Akude käsitsemisel olge hoolikas ja jälgige, et te ei lühista akut elektrit juhtivate esemete (nt sõrmuste, käevõrude, võtmete) abil. Aku või elektrit juhtiv ese võib üle kuumeneda ja põhjustada põletushaavu.
  - Akuga töötavaid tööriistu pole vaja vooluvõrku ühendada, seega on nad alati töörežiimis. Olge teadlik võimalikest ohtudest ka ajal, mil tööriist pole sisse lülitatud. Seadme hooldamise või remontimise ajal olge ettevaatlik.
  - Ärge puhastage trimmerit voolikuga, vältige vee sattumist mootorisse ja elektriühenduste peale.
- ## Hooldus ja hoistamine
- Hoidke kõik mutrid, poldid ja kruvid pingul – sedasi veendute, et masin on turvalises töökorras.
  - Vahetage kulunud või kahjustatud osad.

- Ärge üritage seadet parandada, kui teil puuduvad selleks vajalikud oskused.
- Kasutage ainult tootja poolt soovitatud originaalvarvikuid ja -varuosi.
- Enne hooldust või puhastamist ühendage seade külljest lahti.
- Kontrollige ja hooldage seadet regulaarselt. Laske seadet remontida ainult volitatud remonditöökojas.
- Kui seadet ei kasutata, hoidke seda lastele kättesaamatus kohas.
- Kui esineb olukordi, mis pole käesolevas juhendis kirjeldatud käituge hoolsalt ja lähtuge tervest mõistusest. Küsige abi EGO hoolduskeskusest.
- Hoidke see kasutusjuhend alles. Lugege seda sageli ning kasutage seda, et seadet sageli kasutatavaid isikuid välja õpetada. Kui te seadet kellelegi laenate, andke sellega kaasa ka käesolev kasutusjuhend, et vältida seadme väärkasutamist ja võimalikke vigastusi.

#### HOIDKE SEE KASUTUSJUHE ALLES

**MÄRKUS: TÄIENDAVAD OHUTUSREEGLID LEIATE TOITEPEA KASUTUSJUHEDEST.**

### SPETSIFIKATSIOONID

Tera pikkus	20 cm
Serva lõikamise sügavus	Kuni 75 mm
Mass	2,26 kg
Töötemperatuur	-15°C – 40°C
Hoiustamistemperatuur	-20°C – 70°C
Mõõdetud helirõhu tase $L_{WA}$	92,4 dB(A) K=2,07 dB(A) (PH1400E)
	90,7 dB(A) K=1,46 dB(A) (PH1420E)
	90 dB(A) K=1,3 dB(A) (PHX1600)

Helirõhk seadme operaatori kõrva juures $L_{PA}$	79,8 dB(A) K=3 dB(A) (PH1400E)	
	81,2 dB(A) K=3 dB(A) (PH1420E)	
	84 dB(A) K=3 dB(A) (PHX1600)	
Garanteeritud helirõhk $L_{WA}$ (mõõdetud vastavalt 2000/14/EN)		
(mõõdetud vastavalt 2000/14/EN)	Eesmine abikäepide	1,2 m/s <sup>2</sup> K=1,5 m/s <sup>2</sup> (PH1400E)
		1,95 m/s <sup>2</sup> K=1,5 m/s <sup>2</sup> (PH1420E)
		1,6 m/s <sup>2</sup> K=1,5 m/s <sup>2</sup> (PHX1600)
	Tagumine käepide	2,2 m/s <sup>2</sup> K=1,5 m/s <sup>2</sup> (PH1400E)
		1,66 m/s <sup>2</sup> K=1,5 m/s <sup>2</sup> (PH1420E)
		1,53 m/s <sup>2</sup> K=1,5 m/s <sup>2</sup> (PHX1600)

- Ülalmainitud näitajaid on testitud ja mõõdetud, kasutades toitepead PH1400E/PH1420E/PHX1600;
- Ametlik vibratsioonitaseme näit on mõõdetud standardsete testmeetodite kohaselt ja seda võidakse kasutada erinevate tööriistade võrdlemiseks.
- Ametlikku vibratsioonitaseme näitu võib kasutada ka algse kokkupuutehinnangu andmiseks.

**MÄRKUS:** Tegelikul kasutamisel tekib vibratsioonitase või ametlikult märgitust erineva; turvalisuse eesmärgil peaks seadme kasutaja kandma kindaid ja kuulmiskaitseid.

ET

## PAKENDI LOEND

OSA NIMI	KOGUS
Servalõikur	1
Kuuskantvõti	1
Mitmefunktsionaalne võti	1
Splint	2
Kasutusjuhend	1

### Soovitatud tera

OSA NIMI	MUDELI NUMBER
Servalõikuri tera	AEB0800

## KIRJELDUS

### TUNDKE ENDA SERVALÕIKURIT (joon. A)

1. Lõpukork
2. Servalõikuri vars
3. Tera kate
4. Tera
5. Sügavuse reguleerimise nupp
6. Juhtratas
7. Kuuskantvõti
8. Mitmefunktsionaalne võti
9. Sügavuse reguleerimise juhtlapp
10. Jäätmeklapp
11. Splint
12. Juhtplaadi lukustuskruvi
13. Juhtplaat

ET

## SEADE

**⚠ HOIATUS:** Kui mõni osa on kahjustatud või puudub, ärge kasutage seadet enne kui see osa on parandatud. Kasutades kahjustatud või vajalike komponentideta seadet, võite saada raskeid vigastusi.

**⚠ HOIATUS:** Ärge üritage seadet ümber ehitada ega kasutada lisaseadmeid, mis pole mõeldud kasutamiseks selle trimmeriga. Kõik niisugused muudatused loetakse väärkasutuseks ja need võivad põhjustada ohtlikke olukordi, mis lõpevad raskete vigastustega.

**⚠ HOIATUS:** Raskeid vigastusi põhjustada võiva juhusliku käivitumise vältimiseks eemaldage masina osade kokkupaneku ajaks alati akuplokk.

**⚠ HOIATUS:** Piirde paigaldamise või vahetamise ajal kasutage alati kindaid. Jälgige tera liikumist ja olge ettevaatlik, et te ei vigastaks oma käsi.

**⚠ HOIATUS:** Ärge kasutage masinat, mille kaitsepiire pole korrektselt paigaldatud. Kasutaja turvalisuse huvides peab kaitsepiire masinale kogu aeg kinnitatud olema. Kaitsepiirde paigaldamise järgselt ärge kunagi üritage seda eemaldada ega kohandada. Väljavahetamise vajaduse korral peab seda tegema kvalifitseeritud tehnik!

### SERVALÕIKURI TOITEPEAGA ÜHENDAMINE

Servalõikur on mõeldud kasutamiseks EGO 56 V liitiumioon toitepeaga PH1400E/PH1420E/PHX1600.

Vaadake PH1400E/PH1420E/PHX1600 kasutusjuhendi peatükki „TARVIKU TOITEPEAGA ÜHENDAMINE“.

## KASUTAMINE

**⚠ HOIATUS:** Ärge muutuge toodet tundma õppides hooletuks. Pidage meeles, et raskeid vigastusi põhjustavaks õnnetuseks piisab ka sekundi murdosa pikkusest tähelepanematusesest.

**⚠ HOIATUS:** Kandke alati küljekaitsega turvaprilie. Koos kuulmiskaitsega. Vastasel korral võib teile midagi silma lennata ja võite saada ka muud laadi raskeid vigastusi.

### RAKENDUSED

Seadet tohib kasutada allpool loetletud eesmärkidel:

- kõnnitee servade lõikamine, piirpanek, lillepeenrad ja muud sarnased alad.

**MÄRKUS:** Seadet tohib kasutada vaid käesolevas juhendis lubatud eesmärgil. Igasugust muud kasutatut loetakse väärkasutuseks.

### Enne iga kasutuskorda kontrollige ega seadme osad kulunud või kahjustatud pole.

Kontrollige lõikepead, piiret ja eesmist abikäepidet ning vahetage välja mõranenud, väärdunud, paindunud või muul moel kahjustatud komponendid.

**⚠ HOIATUS:** raskete vigastuste vältimiseks eemaldage alati aku enne kui asute seadet remontima, puhastama, lisatarvikuid kinnitama või kinni jäänud objektide eemaldama.



## SERVALÕIKURI TOITEPEAGA KASUTAMINE

**⚠ HOIATUS:** Kandke sobivat rietust, et vältida trimmeri kasutamise käigus vigastuste teket. Ärge kandke ehteid ega avaraid riideid. Kandke nägemis- ja kuulmiskaitsevahendeid. Kandke tugevast materjalist pikki pükse, saapaid ja kindaid. Ärge kandke trimmeriga töötades lühikesi pükse ega sandaale ja ärge töötage paljajalu. Tolmustes tingimustes kandke näomaski või tolmumaski.

**⚠ HOIATUS:** eemaldage tööalalt kõik takistused ja kõvad esemed.

Turvalise ja parema töö tagamiseks kasutage õlarihma. Kohandage õlarihma nii, et teil oleks mugav töötada.

Hoidke alati parema käega tagumisest ja vasaku käega eesmisest abikäepidemest, Hoidke töö käigus masinat tugevalt mõlema käega. Servalõikurit tuleb hoida mugavas asendis sedasi, et tagumine käepide jääks ligikaudu puusa kõrgusele (joon. B).

**⚠ HOIATUS:** õlarihm on ohtlikes olukordades ka kiirvabastusmehhanism. Hädaolukorras eemaldage see viivitamatult õlalt, sõltumata selle suunast.

## Puhastage servalõikurit pärast iga kasutuskorda.

Lisateavet leiате HOOLDUSE peatükis toodud puhastusjuhistest.

## LÕIKESÜGAVUSE REGULEERIMINE

1. Seisake mootor ja eemaldage akuplokk.
2. Lõdvestage sügavuse reguleerimise nupp, keerates seda vabastamise noole suunas (joon. C).
3. Liigutage juhtratast koos sügavuse reguleerimise latiga ülespoole ja suurendage lõikesügavust, langetage sügavuse vähendamiseks (joon. D).
4. Reguleerige juhtratast sedasi, et tera on praktiliselt maapinnal või ei lõiku mullaga enam, kui 5 mm (joon. E) ja pingutage see tugevalt.
5. Seiske normaalses tööasendis ja kontrollige uuesti lõikesügavust. Vajadusel korrigeerige.

## TÕÕRIISTA KÄIVITAMISEKS/PEATAMISEKS

Vaadake PH1400E/PH1420E/PHX1600 toitepea kasutusjuhendi peatükki „TOITEPEA KÄIVITAMINE/PEATAMINE“.

## JUHENDEID KASUTAMISEKS

- Hoidke ja juhtige toitepead sedasi, et tera on vertikaalselt. Kasutage sihikut ja joondage tera lillepeenra servaga (joon. F).
- Kasutage tavapärasel kõndimiskiirusel. Kui tera hakkab aeglustuma, liigute liiga kiirelt ja peate liikuma aeglasemalt.

- Kõndige lõigates alati edasi ja liikuge lõiketera edasi. Ärge tõmmake servalõikurit enda suunas.
- Ärge pressige tera pinnasesse. Tera õrn kokkupuude kõnnitee serva, kurvi, jms. on lubatud ja ei kahjusta servalõikurit.
- Parimad tulemused saavutate kuiva murukattega. Vältige märja pinnase või murukatete lõikamist, sest terakaitse võib ummistuda ja tulemuseks on ebahühtlane serv. Kui terakaitse ummistub, peatage mootor, eemaldage akuplokk ja eemaldage terakaitsemelt jäätmed.

## HOOLDUS

**⚠ HOIATUS:** enne seadme kontrolli, puhastamist või hooldust tuleb mootor peatada ja oodata kõigi liikuvate osade peatumist ja eemaldada akuplokk. Juhiste mittejärgimine võib põhjustada tõsise vigastuse või varalise kahju.

**⚠ HOIATUS:** Remontimisel kasutage vaid originaalvaruosi. Kontrollige ja hooldage seadet regulaarselt. Ohutuse ja töökindluse tagamiseks tohivad seda seadet remontida ainult vastava kvalifikatsiooniga hooldustehnikud.

## ÜLDINE HOOLDUS

Vältige plastosade kasutamisel lahustite kasutamist. Enamik plastmasse on kaubanduslike lahustite suhtes tundlikud ja võivad nende kasutamisel kahjustada saada. Kasutage mustuse, tolmu, õli, rasva jm eemaldamiseks puhast lappi.

## SEADME PUHASTAMINE

- Eemaldage pärast iga kasutuskorda jäätmed, terale kogunenud muru ja harjake terakaitset pehme harjaga. Pühkige servalõikuri pind puhta niiske lapiga puhtaks.
- Tagumise korpuse õhutusavade takistustest puhastamiseks kasutage väikest harja või tolmuimeja väikese harja õhuväljutusava.

**MÄRKUS:** Ärge kasutage plastmasskomponentide või käepideme puhastamiseks tugevatoimelisi puhastusaineid. Seadme osi võivad kahjustada teatud aromaatsed õlid (nt männi- või sidruniõli).

## TERADE ASENDAMINE

**⚠ HOIATUS:** ärge üritage sirgendada või keevitada paindunud või pragunenud tera, see võib puruneda ja tuleb asendada. Soovitatud asendusosaks on vaid EGO servalõikuri tera, vt jaotist „Soovitatud tera“.

**MÄRKUS:** asendage tera, kui selle pikkusest ei piisa enam, et hoida vajalikku kõrgust maapinnast ja vajaliku lõikesügavuse jaoks.

**⚠ HOIATUS:** kaitske alati oma käsi, kasutades servalõikuri tera hooldamisel tugevaid töökindaid või kattes teravad ääred rätikute või muu kattega.

## Tera eemaldamine

1. Seisake mootor ja eemaldage akuplokk.
2. Asetage servalõikur pikali, teraga ülespoole.
3. Kandke kaitsekindaid. Kasutage terava otsaga näpitsaid (ei kuulu komplekti) ja eemaldage mootori võlli splint (joon. G).
4. Pöörake tera sedasi, et selle ääriku pilu joondub käigukasti avaga (joon. G).

Joonise G osade kirjeldus:

G-1	Splint
G-2	Seesmine äärik
G-3	Käigukast

5. Sisestage komplekti kuuluv kuuskantvõti joondatud avadesse stabilisaatoriks. Kasutage komplekti kuuluvat mitmefunktsionaalset võtit ja vabastage mutter **PÄRIPÄEVA** (joon. H).
6. Eemaldage mutter, välisäärik, tera ja seesmine äärik mootori võllilt (joon. I). Kontrollige ja asendage kulunud osad.

Joonise I osade kirjeldus:

I-1	Mootorivõll	I-5	Tera
I-2	Seesmine äärik	I-6	Välimine äärik
I-3	Seesmise ääriku pilu	I-7	Mutter
I-4	Seesmise ääriku kühm	I-8	Splint

## Tera paigaldamine

1. Asetage seesmine äärik mootori võllile sedasi, et selle kühm jääb väljapoole (joon. I).
2. Paigaldage seesmisele äärikule uus tera ja veenduge, et tera on kindlalt omal kohal (joon. J).
3. Kinnitage välimine äärik ja mutter varrele, eelpingutage mutter käsitsi **VASTUPÄEVA**.
4. Järgige jaotises „Tera eemaldamine“ toodud samme 4 ja 5 ja stabiliseerige tera ning pingutage mutter **VASTUPÄEVA**.
5. Sisestage uus komplekti kuuluv splint mootorivarre avasse. Painutage näpitsatega (ei kuulu komplekti) kaks splindi jalga erinevates suundades (joon. G).

## JUHTRATTA ASENDAMINE

1. Seisake mootor ja eemaldage akuplokk.
2. Asetage servalõikur pikali, juhtrattaga ülespoole.

3. Lõdvestage sügavuse reguleerimise nupp, keerates seda vabastamise noole suunas ja eemaldage see.
4. Eemaldage kruvipostilt vedruseib, tavaline seib 1, juhtratas, läbiviik ja tavaline seib 2 (joon. K). Kontrollige ja asendage kulunud osad.
5. Kinnitage esmalt läbi kõrguse juhtlati kruvipost, seejärel tavaline seib 2, läbiviik ja uus ratas, seejärel paigaldage tavaline seib 1, vedruseib ja sügavuse reguleerimise nupp kruvipostile vastavalt joonisel K näidatud järjekorrale.

Joonise K osade kirjeldus:

K-1	Sügavuse reguleerimise nupp	K-5	Läbiviik
K-2	Vedruseib	K-6	Tavaline seib 2
K-3	Tavaline seib 1	K-7	Kruvipost
K-4	Juhtratas	K-8	Sügavuse reguleerimise juhtlatt

**MÄRKUS:** juhtratas tuleb kinnitada lapikute kodaratega sissepoole (joon. L).

Joonise L osade kirjeldus:

L-1	Kruvid	L-3	Jäätmeklapp
L-2	Lapik kodar	L-4	Kinnitusplaat

6. Lukustage sügavuse reguleerimise nupp.

## JÄÄTMEKLAPI ASENDAMINE (Joon. L)

1. Seisake mootor ja eemaldage akuplokk.
2. Kasutage kahe kruvi lõdvestamiseks komplekti kuuluvat kuuskantvõtit.
3. Eemaldage kruvid, kinnitusplaat ja kulunud jäätmeklapp.
4. Asendage uue jäätmeklapiga ja lukustage see kinnitusplaadi ja kahe kruviga.

## KULUMISVASTASE KAITSE/JUHTPLAADI KONTROLLIMINE JA ASENDAMINE (joon. M)

Kontrollige kulumisvastast kaitset ja juhtplaati enne tööriista kasutamist ja veenduge, et need ei ole kahjustatud. Kulumisvastane kate tuleb asendada kohe, kui käigukast on nähtaval.

**MÄRKUS:** kui kulumisvastast õigel hetkel ei asendata, võib käigukast tõsiselt kannatada saada.

1. Seisake mootor ja eemaldage akuplokk.
2. Kandke kaitsekindaid. Vajadusel pöörake tera kruvide paljastamiseks.
3. Kasutage kahe kruvi lõdvestamiseks komplekti kuuluvat kuuskantvõtit ja eemaldage need.

**MÄRKUS:** kui peate eemaldama ainult juhtplaadi, lõdvestage ja eemaldage vaid kruvi 1.

- Asendage moondunud või kulunud kulumisvastane kaitse/juhtplaat.
- Paigaldage uus kulumisvastane kaitse ja juhtplaat käigukastile ja lukustage kahe kruviga.

Joonise M osade kirjeldus:

M-1	Kruvi 1	M-4	Kulumisvastane kaitse
M-2	Juhtplaat	M-5	Kinnitusavad
M-3	Kruvi 2	M-6	Käigukast

### JUHTPLAADI EEMALDAMINE

Kui olete kogenud servalõikuri kasutaja või juhtplaat jääb töötades ette, võite selle eemaldada.

- Lõdvendage ja eemaldage kruvi 1.
- Eemaldage juhtplaat.
- Pange kruvi 1 tagasi ja pingutage.

### KÄIGUKASTI HAMMASRATASTE MÄÄRIMINE

Käigukasti hammasrattaid tuleb perioodiliselt määrdeainega määrida. Kontrollige käigukasti määrdevahendi taset ligikaudu iga 50 töötunni järelt, selleks tuleb eemaldada korpuse küljel asuv kinnituskruvi.

Kui hammasrataste külgedelt määrdeainet ei paista, järgige allpool toodud samme ja lisage määrdeainet kuni 3/4 ulatuses.

Ärge täitke käigukasti hammasrattaid täielikult.

- Paigutage servalõikuri otse sedasi, et kinnituskruvi jääb ülespoole (joon. N).
- Kasutage kinnituskruvi avamiseks ja eemaldamiseks komplekti kuuluvat multifunktsionaalset võtit. Kasutage määrdeainepritsi (ei kuulu komplekti) ja pritsige kruviauku veidi määrdeainet; ärge ületage 3/4 mahust.
- Pingutage kinnituskruvi pärast määrdeaine pritsimist.

### SEADME HOIUSTAMINE

- Ühendage servalõikuri akuplokk lahti ja puhastage.
- Enne tööriista hoiustamist puhastage see hoolikalt.
- Servalõikuri tarviku eemaldamisel toitepea küljest ja hoiustamisel, tõstke üles tarviku otsakork sedasi, et mustus ei pääseks haakeseadeldisse.
- Hoidke tööriista kuivas ja kõrges lukustatud ning lastele ligipääsmatus kohas. Ärge hoidke seadet väetiste, bensiini või muude kemikaalide läheduses.

### Keskkonnakaitse



Ärge visake elektriseadmeid, kasutatud akut ega laadurit olmeprügi hulka! Viige toode volitatud taaskäitleja juurde ja võimaldage selle komponendid sorteerituna kõrvaldada. Elektritööriista tuleb viia keskkonnakaitseasutuste järgivasse jäätmekäitluskeskusesse.

## TÖRKEOTSING

PROBLEEM	PÕHJUS	LAHENDUS
Mootor ei käivitu.	<ul style="list-style-type: none"> <li>■ Akuplokk pole toitepeaga ühendatud.</li> <li>■ Toitepea ja aku vahel puudub elektriline ühendus.</li> <li>■ Akuplokk on tühi.</li> <li>■ Lukustushooba ja päästikut ei vajutatud samaaegselt.</li> </ul>	<ul style="list-style-type: none"> <li>■ Kinnitage akuplokk toitepea külge.</li> <li>■ Eemaldage aku, kontrollige ühendusi ja paigaldage akuplokk tagasi, kuni see oma kohale klõpsab.</li> <li>■ Laadige akupakki kasutusjuhendis loetletud EGO laadijatega.</li> <li>■ Jõhvtrimmeri sisse lülitamiseks vajutage lukustushooba ja hoidke seda all ning suruge päästik alla.</li> </ul>
Toitepea peatub keset tööd.	<ul style="list-style-type: none"> <li>■ Mootor on ülekoormatud</li> <li>■ Akuplokk või toitepea on üle kuumenenud.</li> <li>■ Akuplokk on tööriista küljest lahti ühendatud.</li> <li>■ Akuplokk on tühi.</li> </ul>	<ul style="list-style-type: none"> <li>■ Mootor taastub pärast koormuse eemaldamist. Pideva töö tagamiseks vähendage toitepea koormust.</li> <li>■ Jahutage akuplokki või toitepead, kuni temperatuur langeb alla 67°C.</li> <li>■ Paigaldage akuplokk tagasi.</li> <li>■ Laadige akupakki kasutusjuhendis loetletud EGO laadijatega.</li> </ul>
Ebaühtlane serv	<ul style="list-style-type: none"> <li>■ Muru või lõigatav pinnas on liiga märg.</li> <li>■ Terakaitse on ummistunud.</li> </ul>	<ul style="list-style-type: none"> <li>■ Vältige märja pinnase või muru lõikamist.</li> <li>■ Peatage mootor, eemaldage akuplokk ja eemaldage terakaitsemelt jäätmed.</li> </ul>

## GARANTII

### EGA GARANTIIPÕHIMÕTTED

Täielikud EGO garantiitingimused leiate veebilehelt [egopowerplus.eu](http://egopowerplus.eu).

ET

## ПРОЧИТАЙТЕ ВСІ ІНСТРУКЦІЇ!



**ПРОЧИТАЙТЕ ПОСІБНИК З ЕКСПЛУАТАЦІЇ**

**⚠ ПОПЕРЕДЖЕННЯ.** Для гарантування безпеки та надійності всі роботи з ремонту та заміни повинен проводити кваліфікований технічний спеціаліст.

## СИМВОЛИ, ЩО СТОСУЮТЬСЯ БЕЗПЕКИ

Мета символів, пов'язаних із безпекою, – привернути вашу увагу до можливих небезпек. Символи безпеки та їхнє пояснення заслуговують на вашу пильну увагу та розуміння. Символи попереджень самі по собі не усувають будь-якої небезпеки. Інструкції та попередження, які вони надають, не замінюють належних заходів щодо запобігання аваріям.

**⚠ ПОПЕРЕДЖЕННЯ.** Перш ніж користуватися цим інструментом, обов'язково ознайомтеся з усіма інструкціями з безпеки, наведеними в цьому посібнику користувача, зокрема з усіма символами попереджень, такими як «**НЕБЕЗПЕКА**», «**ПОПЕРЕДЖЕННЯ**» та «**ЗАСТЕРЕЖЕННЯ**». Недотримання наведених нижче вказівок може спричинити ураження електричним струмом, пожежу та/або серйозні травми.

## ЗНАЧЕННЯ СИМВОЛУ

**⚠ СИМВОЛ ПОПЕРЕДЖЕННЯ ЩОДО БЕЗПЕКИ:** Вказує на **НЕБЕЗПЕКУ, ПОПЕРЕДЖЕННЯ АБО ЗАСТЕРЕЖЕННЯ**. Може використовуватися разом з іншими символами або піктограмами.



**⚠ ПОПЕРЕДЖЕННЯ.** Використання будь-яких електроінструментів може призвести до потрапляння сторонніх предметів в очі, що може спричинити серйозне пошкодження очей. Перед

початком експлуатації електроінструмента завжди надягайте закриті захисні окуляри або відкриті захисні окуляри з бічними щитами та, якщо потрібно, повнопрофільну захисну маску. Ми рекомендуємо захисну маску широкого розміру для використання поверх окулярів або стандартні відкриті захисні окуляри з бічними щитами.

## ВКАЗІВКИ З ТЕХНІКИ БЕЗПЕКИ

На цій сторінці зображено та описано символи, пов'язані з безпекою, які можуть відображатися на цьому виробі. Перш ніж намагатися зібрати та експлуатувати його, ознайомтеся з усіма інструкціями на машині та дотримуйтеся їх.

	Попередження щодо безпеки	Вказує на потенційну небезпеку травмування.
	Прочитайте посібник користувача	Щоб зменшити ризик травми, користувач повинен ознайомитися з інструкцією користувача перед використанням цього виробу.
	Носіть засоби захисту вух та очей	Працюючи з цим виробом, завжди носіть засоби захисту вух і закриті захисні окуляри чи відкриті захисні окуляри з бічними щитами або повнопрофільну захисну маску.
	Довжина леза інструмента для обрізання кромки	Довжина леза інструмента для обрізання кромки
	Тримайте сторонні подаль	Відстань між інструментом і сторонніми спостерігачами має бути не менше 15 м.
	Напрямок обертання ножи інструмента для обрізання кромки	Вказує напрямку обертання ножа інструмента для обрізання кромки.
	Відкидання предметів	Сміття з інструмента для обрізання кромки може впливати на стійкість положення ніг. Будьте надзвичайно обережними, ходячи в місці, де виконується обрізання кромки.
	Надягайте захисне взуття	Використовуючи таке обладнання, одягайте неслизьке захисне взуття.
	Обертаний ніж	Не наближайте руки або ноги до частин, що обертаються.

UK

	Зберігайте достатню відстань від ліній електропередач	Для запобігання ураження електричним струмом не працюйте ближче 15 м від повітряних електричних ліній. Контакт із лініями електропередач або використання поблизу них може спричинити серйозну травму або смертельне ураження електричним струмом.
	CE	Цей виріб відповідає чинним директивам ЄС.
	UKCA	Цей продукт відповідає чинному законодавству Великобританії.
	WEEE	Відходи електричних виробів не слід викидати разом із побутовим сміттям. Зверніться до авторизованого пункту переробки.
	Шум	Гарантований рівень звукової потужності. Розповсюдження шуму в навколишнє середовище згідно з директивою Європейського співтовариства.
V	Вольти	Напруга
mm	Міліметр	Довжина або розмір
cm	Сантиметр	Довжина або розмір
kg	Кілограм	Маса
	Постійний струм	Тип або характеристика струму

## ЗАГАЛЬНІ ВКАЗІВКИ З ТЕХНІКИ БЕЗПЕКИ

**⚠ ПОПЕРЕДЖЕННЯ.** Прочитайте всі попередження безпеки, інструкції, ілюстрації та характеристики, надані з цим інструментом. Недотримання наведених нижче інструкцій може спричинити ураження електричним струмом, пожежу та/або серйозні травми.

**ЗБЕРІГАЙТЕ ВСІ ПОПЕРЕДЖЕННЯ ТА ІНСТРУКЦІЇ ДЛЯ ВИКОРИСТАННЯ В МАЙБУТЬОМУ.**

Термін «електроінструмент» у попередженнях стосується електричного інструмента, що працює від електромережі (через шнур) або від акумулятора (без шнура).

## БЕЗПЕКА РОБОЧОЇ ЗОНИ

- **Робоче місце має бути чистим і гарно освітленим.** Неприбрана або погано освітлена робоча зона може стати причиною нещасного випадку.
- **Не працюйте з інструментом у вибухонебезпечному середовищі, наприклад за наявності легкозаймистих рідин, газів або пилу.** Під час роботи інструмента утворюються іскри, від яких можуть зайнятися пил або випари.
- **Дітям і спостерігачам заборонено перебувати поруч з електроінструментом, що працює.** Це може відволікати вас і призвести до втрати контролю.

## ЕЛЕКТРОБЕЗПЕКА

- **Штепсельні вилки електроінструмента мають підходити до розеток.** Заборонено модифікувати вилку будь-яким чином. Не використовуйте жодні перехідники для роботи із заземленими електроінструментами. Використання штепселів і розеток, у які не вносилися зміни, зменшує ризик ураження електричним струмом.
- **Уникайте контакту частин тіла із заземленими поверхнями, такими як труби, батареї, плити й холодильники.** У разі заземлення тіла збільшується ризик ураження електричним струмом.
- **Не експлуатуйте інструмент під час дощу або у вологих умовах.** Потрапляння води в інструмент може збільшити ризик ураження електричним струмом або несправності, які можуть призвести до травмування.
- **Поводьтесь обережно зі шнуром живлення.** Ніколи не використовуйте шнур живлення для перенесення, перетягування або вимкнення інструмента. Бережіть шнур живлення від джерел тепла, мастил, гострих країв та рухомих частин. Пошкоджені або заплутані шнури живлення підвищують ризик ураження електричним струмом.
- **Під час роботи з електроінструментом надворі використовуйте подовжувач, призначений для зовнішніх робіт.** Використання подовжувача, призначеного для зовнішніх робіт, зменшує ризик ураження електричним струмом.
- **Якщо роботи з інструментом у вологому середовищі не unikнути, скористайтеся вимикачем короткого замикання на землю (ВКЗЗ).** Використання ВКЗЗ зменшує ризик ураження електричним струмом.

## ОСОБИСТА БЕЗПЕКА

- Під час роботи з інструментом будьте уважні, стежте за своїми діями та мисліть розсудливо. Не працюйте з електроінструментом, якщо ви втомлені або перебуваєте під дією наркотичних речовин, алкоголю чи ліків. Навіть миттєва неуважність під час роботи з інструментом може призвести до серйозної травми.
- Використовуйте засоби особистого захисту. Завжди носіть засоби захисту очей. Використання у відповідних умовах таких захисних засобів, як протипиловий респиратор, неслизьке захисне взуття, шолом-каска і навушники допоможе зменшити ризик травмування.
- Уникайте випадкового запуску інструмента. Перш ніж підключати електроінструмент до мережі живлення чи акумулятора, брати або переносити його, перевірте, чи встановлено перемикач у положення «вимкнено». Якщо переносити електроінструмент, тримаючи палець на вимикачі, або підключати його до джерела живлення, коли вимикач перебуває в положенні «увімкнено», це може призвести до травмування.
- Перш ніж вмикати інструмент, слід зняти всі регульовальні клинці або гайкові ключі. Якщо залишити такий ключ на рухомій частині інструмента, це може призвести до травмування.
- Не дотягуйтесь. Завжди міцно стійте на ногах і втримуйте рівновагу. Це дає змогу краще керувати інструментом у разі виникнення непередбачуваних ситуацій.
- Одягайтеся належним чином. Не носіть вільного одягу або прикрас. Стежте за тим, щоб волосся та одяг не потрапили на рухомі частини. Вільний одяг, прикраси або довге волосся можуть потрапити в рухомі частини.
- Якщо пристрій обладнано системою видалення пилу, переконайтеся, що її правильно підключено і що ви використовуєте її належним чином. Використання пристрою для збирання пилу може зменшити небезпеку, пов'язану з пилом.
- Не дозволяйте навичкам, отриманим після частого використання інструментів, змусити вас стати самовпевненими та ігнорувати принципи безпеки інструмента. Недбала дія може спричинити серйозну травму протягом доли секунди.

## ВИКОРИСТАННЯ ІНСТРУМЕНТА ТА ДОГЛЯД ЗА НИМ

- Не застосовуйте силу до інструмента. Використовуйте належний електроінструмент відповідно до потреби. Правильно підібраний

електроінструмент допоможе краще та безпечніше зробити роботу зі швидкістю, яка для нього передбачена.

- Не використовуйте інструмент, якщо вимикач не вмикає або не вимикає його. Усі електроінструменти, якими неможливо керувати за допомогою перемикача, становлять небезпеку й підлягають ремонту.
- Перш ніж проводити будь-які регулювання, замінювати приладдя або перед зберіганням слід вийняти штепсель з джерела живлення та/ або вийняти з інструмента акумулятор, якщо він знімний. Такі запобіжні заходи безпеки зменшують ризик випадкового вмикання інструмента.
- Зберігайте інструменти, що не використовуються у недоступному для дітей місці та не дозволяйте особам, які не знайомі з інструментом або цими інструкціями, керувати ним. Електроінструменти становлять небезпеку в руках недосвідчених користувачів.
- Обслуговуйте інструменти та приладдя. Перевіряйте їх на предмет розладнання чи блокування рухомих частин, а також будь-яких обставин, які можуть вплинути на роботу інструмента. У разі пошкодження електроінструмент слід здати в ремонт, перш ніж користуватися ним. Часто нещасні випадки трапляються внаслідок неналежного технічного обслуговування інструментів.
- Тримайте різальні інструменти гострими й чистими. Належним чином доглянуті різальні інструменти з гострими ріжучими краями рідше блокуються, та ними легше керувати.
- Користуйтеся електроінструментом, приладдям і насадками для інструмента згідно з цією інструкцією, зважаючи на робочі умови та роботу, яку слід виконати. Використання електроінструмента не за призначенням може стати причиною виникнення небезпечних ситуацій.
- Підтримуйте ручки та захватні поверхні сухими, чистими, без жиру та бруду. Слизькі ручки та захватні поверхні не дають змоги безпечно тримати та керувати інструментом у непередбачених ситуаціях.

## ВИКОРИСТАННЯ АКУМУЛЯТОРНОГО ІНСТРУМЕНТА ТА ДОГЛЯД ЗА НИМ

- Заряджайте лише за допомогою зарядного пристрою, вказаного виробником. Зарядний пристрій, який підходить для акумуляторів одного виду, може спричинити ризик пожежі у випадку його використання з іншим акумулятором.

UK

- З інструментом слід використовувати лише призначені для нього акумуляторні батареї. Використання будь-яких інших акумуляторних батарей може призвести до травми або пожежі.
- Коли батарея не використовується, її слід тримати окремо від металевих предметів – затискачів паперу, монет, ключів, цвяхів, шурупів та інших дрібних предметів, які можуть замкнути клеми. Коротке замикання клем акумулятора може стати причиною опіків чи пожежі.
- У надто важких умовах експлуатації з акумулятора може витікати рідина; не доторкайтесь до неї. Якщо випадково ви все ж торкнулися її, слід промити це місце водою. Якщо рідина потрапила в очі, слід також звернутися до лікаря. Рідина, яка виступає з акумулятора, може спричинити подразнення або опіки.
- Не використовуйте акумуляторну батарею або інструмент, які пошкоджено або змінено. Пошкоджені або змінені батареї можуть мати непередбачувану поведінку, що може спричинити пожежу, вибух або ризик травмування.
- Не піддавайте акумуляторну батарею або інструмент дії вогню або високих температур. Вогонь або температура вище 130°C може спричинити вибух.
- Дотримуйтесь усіх інструкцій щодо зарядження та не заряджайте акумуляторну батарею або інструмент за межами температурного діапазону, зазначеного в інструкціях. Зарядження неналежним чином або при температурах за межами вказаного діапазону може пошкодити акумулятор і збільшити ризик виникнення пожежі.

## ВАЖЛИВІ ВКАЗІВКИ ЩОДО БЕЗПЕКИ

**⚠ ПОПЕРЕДЖЕННЯ!** Під час використання садових інструментів необхідно завжди дотримуватись основних правил техніки безпеки для зниження ризику виникнення пожежі, ураження струмом та тілесних ушкоджень, включно з наведеними нижче.

## ПРОЧИТАЙТЕ УВАЖНО ПЕРЕД ВИКОРИСТАННЯМ

## ЗБЕРІГАЙТЕ ДЛЯ ПОДАЛЬШОГО КОРИСТУВАННЯ

**⚠ НЕБЕЗПЕКА!** Не покладайтеся на захист ізоляції інструмента від удару електричним струмом. Щоб зменшити ризик ураження електричним струмом, ніколи не експлуатуйте машину поблизу будь-яких проводів або кабелів (живлення та ін.), які можуть бути під напругою.

**⚠ ОБЕРЕЖНО!** Носіть відповідні засоби захисту органів слуху під час використання. За певних умов і тривалості використання шум від цього виробу може сприяти втраті слуху.

## Навчання

- Уважно прочитайте інструкцію. Добре вивчіть керування та правила належного користування пристроєм.
- Ніколи не дозволяйте користуватися цим інструментом для обрізання кромок дітям чи особам, які не ознайомилися з інструкцією. Місцеві нормативні акти можуть обмежувати вік оператора.
- Ніколи не обрізайте кромки, якщо поблизу є люди (особливо діти) або домашні тварини.
- Пам'ятайте, що оператор або користувач несе відповідальність за нещасні випадки або збитки, заподіяні іншим особам чи їх майну.

## Підготовка

- Під час обрізання кромок завжди носіть засоби захисту очей і вух, міцне взуття та довгі штани.
- Ретельно огляньте поверхню, де буде використовуватись обладнання, і приборіть усе каміння, гілки, проводи, кістки та сторонні предмети.
- Перед використанням завжди візуально перевіряйте леза, болт ножа та ріжучий блок на предмет зношеності чи пошкоджень. Замінійте зношені або пошкоджені леза та болти комплектом для збереження балансу.

## Експлуатація

- Обрізайте кромки тільки при денному світлі або доброму штучному освітленні.
- Завжди зберігайте стійке положення ніг на схилах.
- Ходіть, не біжіть.
- Будьте особливо обережними, рухаючись у зворотному напрямку або тягнучи інструмент для обрізання кромок до себе.
- Зупиніть лезо перед перетином інших поверхонь, крім трави, а також під час транспортування інструмента на ділянку для обрізання кромок та з цієї ділянки.
- Ніколи не використовуйте інструмент для обрізання кромок із дефектними, відсутніми або неправильно встановленими запобіжниками.
- Не змінюйте налаштування регулятора мотора та не перевищуйте допустиму швидкість мотора.
- Обережно ввімкніть мотор відповідно до інструкцій, тримаючи ноги подалі від лез.
- Не запускайте мотор, коли спостерігач стоїть біля лез.
- Не наближайте руки або ноги до частин, що обертаються.



- Завжди вимикайте мотор і відключайте його від акумулятора:
  - 1) Перед очищенням блокуючих елементів;
  - 2) перед перевіркою, чищенням або експлуатацією лез;
  - 3) після зіткнення зі стороннім предметом: огляньте леза на наявність пошкоджень і проведіть необхідні ремонтні роботи перед повторним запуском і використанням інструмента;
  - 4) Якщо інструмент починає незвично вібрувати (негайно перевірте).
- Зупиніть мотор, коли ви залишаєте інструмент.
- Не заряджайте акумуляторну батарею під дощем або у вологих місцях.
- Використовуйте лише акумулятори та зарядні пристрої, перелічені на рис. А.
- Акумуляторну батарею потрібно вийняти з приладу, перш ніж викидати його.
- Акумулятори необхідно утилізувати безпечно.
- Не викидайте батарею у вогонь. Елементи живлення можуть вибухнути. Зверніться до місцевих органів влади для отримання спеціальних інструкцій з утилізації.
- Не відкривайте й не деформуйте батарею. Вивільнений електроліт є корозійним і може спричинити пошкодження очей або шкіри. Його ковтання може бути токсичним.
- Будьте обережні під час поводження з акумуляторами, щоб не закоротити батарею провідними матеріалами, такими як кільця, браслети та ключі. Акумулятор або провідник можуть перегрітися та спричинити опіки.
- Акумуляторні інструменти не потрібно підключати до електричної розетки; отже, вони завжди в робочому стані. Будьте в курсі можливих небезпек, навіть якщо інструмент не працює. Будьте обережні, виконуючи технічне обслуговування чи догляд.
- Не мийте шлангом; уникайте потрапляння води в мотор та електричні з'єднання.
- Технічне обслуговування та зберігання
- Тримайте всі гайки, болти та гвинти щільно затягнутими для утримання обладнання в безпечному робочому стані.
- Замінійте зношені або пошкоджені деталі.
- Не намагайтеся ремонтувати інструмент, якщо у вас немає відповідної компетенції.
- Використовуйте лише рекомендовані виробником запасні деталі та приладдя.
- Перед проведенням будь-яких операцій з обслуговування або очищення інструмента від'єднайте його від батареї.
- Регулярно оглядайте інструмент і виконуйте його обслуговування. Доручайте ремонт інструмента лише вповноваженому спеціалісту з ремонту.
- Коли інструмент не використовується, тримайте його в недосяжному для дітей місці.
- Якщо виникають ситуації, які не розглядаються в цьому посібнику, проявляйте обережність і розсудливість. Зверніться до сервісного центру EGO по допомогу.
- Збережіть цю інструкцію. Часто переглядайте та використовуйте її, щоб навчати інших, хто може використовувати цей інструмент. Якщо ви надаєте комусь цей інструмент, надайте їм ці інструкції, щоб запобігти неналежному використанню виробу та можливим травмам.

### ЗБЕРЕЖІТЬ ЦЮ ІНСТРУКЦІЮ

**ПРИМІТКА. ДИВІТЬСЯ ІНСТРУКЦІЮ КОРИСТУВАЧА ПРИВІДНОЇ ГОЛОВКИ ДЛЯ ОЗНАЙОМЛЕННЯ З ДОДАТКОВИМИ СПЕЦІАЛЬНИМИ ПРАВИЛАМИ БЕЗПЕКИ.**

### СПЕЦИФІКАЦІЇ

Довжина леза	20 cm
Глибина обрізання кромки	До 75 мм
Вага	2,26 kg
Робоча температура	-15°C - 40°C
Температура зберігання	-20°C – 70°C
Вимірний рівень звукової потужності $L_{WA}$	92,4 дБ(A) K=2,07 дБ(A) (RH1400E)
	90,7 дБ(A) K=1,46 дБ(A) (RH1420E)
	90 дБ(A) K=1,3 дБ(A) (RHX1600)
Рівень звукового тиску на місці вуха оператора $L_{PA}$	79,8 дБ(A) K=3 дБ(A) (RH1400E)
	81,2 дБ(A) K=3 дБ(A) (RH1420E)
	84 дБ(A) K=3 дБ(A) (RHX1600)

**UK**

Гарантований рівень звукової потужності $L_{WA}$ (відповідно до стандарту 2000/14/ЄС)		95 дБ(А)
Вібрація $a_h$	Передня допоміжна ручка	1,2 м/с <sup>2</sup> K=1,5 м/с <sup>2</sup> (PH1400E)
		1,95 м/с <sup>2</sup> K=1,5 м/с <sup>2</sup> (PH1420E)
		1,6 м/с <sup>2</sup> K=1,5 м/с <sup>2</sup> (PHX1600)
	Задня ручка	2,2 м/с <sup>2</sup> K=1,5 м/с <sup>2</sup> (PH1400E)
		1,66 м/с <sup>2</sup> K=1,5 м/с <sup>2</sup> (PH1420E)
		1,53 м/с <sup>2</sup> K=1,5 м/с <sup>2</sup> (PHX1600)

- Зазначені вище параметри випробувано та виміряно з приводною головкою PH1400E/PH1420E/PHX1600;
- Вказане загальне значення вібрації виміряне за стандартним методом тестування і може використовуватися для порівняння одного інструмента з іншим;
- Заявлене сумарне значення вібрації може також використовуватися для попередньої оцінки впливу.

**ПРИМІТКА.** Емісія вібрації під час фактичного використання електроінструмента може відрізнятися від заявленої величини, у якій використовується інструмент. Щоб захистити оператора, користувач повинен вдягати рукавички та захисні навушники в реальних умовах використання.

## ПАКУВАЛЬНИЙ СПИСОК

**UK**

НАЗВА ДЕТАЛІ	КІЛЬКІСТЬ
Насадка для обрізання кромок	1
Шестигранний ключ	1
Багатофункціональний ключ	1
Шплінт	2
Посібник користувача	1

## Рекомендоване лезо

НАЗВА ДЕТАЛІ	НОМЕР МОДЕЛІ
Лезо інструмента для обрізання кромок	АЕВ0800

## ОПИС

### ОЗНАЙОМЛЕННЯ З НАСАДКОЮ ДЛЯ ОБРІЗАННЯ КРОМОК (рис. А)

1. Торцевий ковпачок
2. Вал інструмента для обрізання кромок
3. Кожух диска
4. Ніж
5. Ручка регулювання глибини
6. Приводне колесо
7. Шестигранний ключ
8. Багатофункціональний ключ
9. Напрямна регулювання глибини
10. Стулка для сміття
11. Шплінт
12. Гвинт для фіксації напрямної пластини на місці
13. Напрямна пластина

## ЗБИРАННЯ

**⚠ ПОПЕРЕДЖЕННЯ.** Якщо якісь частини пошкоджені або відсутні, не користуйтеся цим інструментом, доки вони не будуть замінені. Використання цього виробу з пошкодженими або відсутніми деталями може призвести до серйозних травм.

**⚠ ПОПЕРЕДЖЕННЯ.** Не намагайтеся вдосконалити цей інструмент або застосувати приладдя, не рекомендоване для нього. Кожна така заміна чи переробка є фактом неправильного користування, створює небезпечні умови й загрожує серйозними травмами.

**⚠ ПОПЕРЕДЖЕННЯ.** Щоб запобігти випадковому запуску, що може спричинити серйозні травми, завжди виймайте акумуляторну батарею з інструмента під час монтажу деталей."

**⚠ ПОПЕРЕДЖЕННЯ.** Під час установлення або заміни щітки завжди слід носити рукавички. Остерігайтеся леза на щітку та захистіть руку від травм."

**⚠ ПОПЕРЕДЖЕННЯ.** Ніколи не використовуйте інструмент, якщо щиток міцно не закріплено. Щиток завжди має бути на інструменті для захисту користувача! Коли щиток зафіксовано, ніколи не намагайтеся зняти або відрегулювати щиток. Якщо потрібно замінити його, це має виконувати кваліфікований технічний персонал!"

### ПІД'ЄДНАННЯ НАСАДКИ ДЛЯ ОБРІЗАННЯ КРОМОК ДО ПРИВІДНОЇ ГОЛОВКИ

Ця насадка для обрізання кромок призначена для використання з літій-іонною головкою EGO PH1400E/PH1420E/PHX1600 на 56 В.

Див. розділ « УСТАНОВЛЕННЯ НАСАДКИ НА ПРИВІДНУ ГОЛОВКУ» в посібнику користувача приводної головки PH1400E/PH1420E/PHX1600.

### ЕКСПЛУАТАЦІЯ

**⚠ ПОПЕРЕДЖЕННЯ.** Знання виробу не має робити вас небалним. Пам'ятайте, що півсекунди неувважності досить для серйозної травми.

**⚠ ПОПЕРЕДЖЕННЯ.** Завжди носіть засоби захисту органів зору та слуху. Без окулярів ви ризикуєте травмами очей від викинутих предметів та іншими серйозними травмами.

### ЗАСТОСУВАННЯ

Ви можете використовувати цей виріб для цілі, зазначеної нижче:

- Обрізання кромок навколо пішохідних тротуарів, бордюрів, квітників та інших аналогічних місць.

**ПРИМІТКА.** Цей інструмент має використовуватись тільки за призначенням. Будь-яке інше використання вважається випадком використання не за призначенням.

### Перед кожним використанням перевірте наявність пошкоджених/зношених деталей

Перевірте лезо, запобіжник і передню ручку, а також замініть будь-які частини, які тріснули, викривлені, зігнуті або пошкоджені.

**⚠ ПОПЕРЕДЖЕННЯ.** Щоб запобігти серйозним травмам, вийміть акумуляторну батарею з інструмента перед обслуговуванням, очищенням, заміною насадок або видаленням матеріалу з пристрою.

### ВИКОРИСТАННЯ НАСАДКИ ДЛЯ ОБРІЗАННЯ КРОМОК ІЗ ПРИВІДНОЮ ГОЛОВКОЮ

**⚠ ПОПЕРЕДЖЕННЯ.** Одягайтеся правильно, щоб зменшити ризик травми під час роботи з цим інструментом. Не носіть вільного одягу або прикрас. Одягайте захисні окуляри та навушники. Носіть важкі, довгі штани, міцне взуття та рукавички. Не носіть шорти, сандалі, не працюйте босоніж. Одягайте маску для обличчя або пилову маску в місцях, де є пил.

**⚠ ПОПЕРЕДЖЕННЯ.** Видаліть усі перешкоди та тверді предмети з робочої зони.

Для безпечної та кращої роботи надягайте ремінець через плече. Відрегулюйте плечовий ремінець у зручному робочому положенні.

Тримайте інструмент правою рукою за задню ручку і лівою рукою за передню допоміжну ручку. Під час експлуатації інструмента тримайте його міцно обома руками. Інструмент необхідно тримати в зручному положенні, при чому задня ручка має бути на висоті стегна (рис. В).

**⚠ ПОПЕРЕДЖЕННЯ.** Плечовий ремінь також є механізмом швидкого звільнення в небезпечній ситуації. Коли трапляється надзвичайна ситуація, негайно зніміть його з плеча, незалежно від того, у який спосіб одягнуто ремінь.

### Після кожного використання очистьте інструмент

Див. розділ «ТЕХНІЧНЕ ОБСЛУГОВУВАННЯ» для отримання вказівок з очищення

### РЕГУЛЮВАННЯ ГЛИБИНИ РІЗАННЯ

1. Вимкніть мотор і вийміть акумулятор.
2. Відкрутіть регулятор глибини в напрямку стрілки розблокування, позначеної на ручці (рис. С).
3. Перемістіть напрямне колесо вздовж напрямної штанги регулювання глибини ввверх, щоб збільшити глибину різання, або вниз, щоб зменшити глибину (рис. D).
4. Відрегулюйте напрямне колесо таким чином, щоб лезо лише торкалося землі або розбивало поверхню ґрунту не більш ніж на 5 мм (рис. E), а потім надійно затягніть.
5. Стоячи в нормальному робочому положенні, знову перевірте глибину різання та, якщо необхідно, скоригуйте.

UK

## ЗАПУСК/ЗУПИНКА ІНСТРУМЕНТА

Див. розділ «**ЗАПУСК/ЗУПИНКА ПРИВОДНОЇ ГОЛОВКИ**» в посібнику користувача приводної головки PH1400E/PH1420E/PHX1600.

## ПОРАДИ З ЕКСПЛУАТАЦІЇ

- Тримайте та направляйте приводну головку так, щоб лезо було у вертикальному положенні. Використовуйте лінію прямого зору для спрямування леза по краю канавки (рис. F).
- Працюйте лише в нормальному темпі ходьби. Якщо лезо починає закружати, ви обрізаєте кромки занадто швидко; зменште швидкість.
- Завжди йдіть уперед, обрізаючи кромки, і рухайте інструмент уперед. Не тягніть інструмент на себе.
- Не притискайте лезо до землі. Легкий контакт леза з краєм тротуару, бордюру та ін. є прийнятним і не пошкодить інструмент.
- Найкращі результати отримують, коли трави суха. Уникайте обрізання кромки на вологих ґрунтах або на вологих ділянках трави, інакше запобіжник ножа може забитися та призвести до нерівності краю. Якщо запобіжник ножа забивається, зупиніть мотор, вийміть акумуляторну батарею та витягніть сміття із запобіжника ножа.

## ТЕХНІЧНЕ ОБСЛУГОВУВАННЯ

**⚠ ПОПЕРЕДЖЕННЯ.** Перед оглядом, чищенням або обслуговуванням пристрою зупиніть двигун, почекайте доки всі рухомі частини зупиняться, і вийміть акумуляторну батарею. Недотримання цих інструкцій може призвести до серйозних персональних травм або пошкодження майна.

**⚠ ПОПЕРЕДЖЕННЯ.** Використовуйте для технічного обслуговування лише ідентичні запчастини. Використання будь-яких інших частин створює небезпеку або може призвести до поломки виробу. Для гарантування безпеки та надійності всі роботи з ремонту, крім описаних в інструкціях з обслуговування, повинен проводити кваліфікований технічний спеціаліст.

## ЗАГАЛЬНИЙ ТЕХНІЧНИЙ ДОГЛЯД

Не застосовуйте розчинники, коли чистите пластмасові деталі. Більшість пластмас чутливі до різноманітних промислових розчинників і можуть бути ними пошкоджені. Для видалення бруду, пилу, мастила тощо користуйтеся чистою ганчіркою.

## ОЧИЩЕННЯ ПРИЛАДУ

- Після кожного використання очистьте сміття, забиті ґрунт або траву на ножі та запобіжнику м'якою щіткою. Протріть поверхню інструмента чистою тканиною, змоченою м'яким розчином мила.
- Використовуйте невелику щітку або невеликий пілосос для очищення вентиляційних отворів ззаду на корпусі.

**ПРИМІТКА.** Не використовуйте сильні миючі засоби на пластиковому корпусі або ручці. Вони можуть бути пошкоджені деякими ароматичними маслами, наприклад хвойним і лимонним.

## ЗАМІНА ЛЕЗА

**⚠ ПОПЕРЕДЖЕННЯ.** Не намагайтеся випрямляти або зварювати зігнуте або тріснуте лезо – воно може зламатися. Його необхідно замінити. Рекомендовано замінювати лише на ножі EGO для обрізання кромки, див. розділ «**Рекомендовані леза**».

**ПРИМІТКА.** Замініть лезо, якщо його довжина більше не достатня, щоб підтримувати необхідний дорожній просвіт і досягти необхідної глибини різання.

**⚠ ПОПЕРЕДЖЕННЯ.** Завжди захищайте руки, одягнувши товсті рукавички або обертаючи лезо ганчірками чи іншими матеріалами під час виконання будь-якого технічного обслуговування леза інструмента.

## Знімання леза

1. Вимкніть мотор і вийміть акумулятор.
2. Покладіть інструмент на задню частину так, щоб лезо було повернено вгору.
3. Надягайте захисні рукавиці. Використовуйте голковидні кусачки (не входять у комплект), щоб зняти шплінт із вала мотора (рис. G).
4. Поверніть лезо, щоб вирівняти гніздо фланця з отвором у корпусі редуктора (рис. G).

Рис. G див. опис деталей нижче:

G-1	Шплінт
G-2	Внутрішній фланець
G-3	Корпус редуктора

5. Вставте шестигранний гайковий ключ, що входить у комплект, у вирівняні отвори для стабілізації. Використовуйте багатофункціональний гайковий ключ, щоб відкрити гайку **ЗА ГОДИННИКОВОЮ СТРІЛКОЮ** (рис. H).

6. Зніміть гайку, зовнішній фланець, лезо і внутрішній фланець із вала мотора (рис. I). Перевірте і замініть їх, якщо вони зношені.

Рис. I див. опис деталей нижче:

I-1	Вал мотора	I-5	Лезо
I-2	Внутрішній фланець	I-6	Зовнішній фланець
I-3	Отвір у внутрішньому фланці	I-7	Гайка
I-4	Випуклість на внутрішньому фланці	I-8	Шплінт

#### Установлення леза

1. Установіть внутрішній фланець на вал мотора, щоб випуклість була спрямована назовні (рис. I).
2. Установіть нове лезо на внутрішній фланець, переконавшись, що лезо надійно закріплено на місці (рис. J).
3. Установіть зовнішній фланець і гайку на вал і попередньо закрутіть гайку **ПРОТИ ГОДИННИКОВОЇ СТРІЛКИ** вручну.
4. Дотримуйтесь кроків 4 та 5 вище в розділі «Видалення леза», щоб стабілізувати лезо та надійно затягнути гайку **ПРОТИ ГОДИННИКОВОЇ СТРІЛКИ**.
5. Вставте новий шплінт, який входить у комплект, в отвір у валі мотора. Витягніть дві ніжки шплінта в протилежних напрямках, використовуючи голкоподібні кусачки (не входять у комплект) (рис. G).

#### ЗАМІНА ПРИВОДНОГО КОЛЕСА

1. Вимкніть мотор і вийміть акумулятор.
2. Покладіть інструмент на задню частину так, щоб приводне колесо було повернено вгору.
3. Відкрутіть регулятор глибини в напрямку стрілки розблокування та зніміть його.
4. Зніміть пружинну шайбу, просту шайбу 1, приводне колесо, втулку та просту шайбу 2 з гвинтової жердини (рис. K). Перевірте і замініть їх, якщо вони зношені.
5. Спочатку закріпіть гвинтову жердину через напрямну штангу для регулювання глибини, а потім установіть просту шайбу 2, втулку та нове колесо, потім установіть просту шайбу 1, пружинну шайбу та регулятор глибини на гвинтову жердину в послідовності, показаній на рис. K.

Рис. K див. опис деталей нижче:

K-1	Ручка регулювання глибини	K-5	Втулка
K-2	Пружинна шайба	K-6	Проста шайба 2
K-3	Проста шайба 1	K-7	Гвинтова жердина
K-4	Приводне колесо	K-8	Напрямна регулювання глибини

**ПРИМІТКА.** Приводне колесо необхідно встановлювати плоскими ребрами обернутими всередину (рис. L).

Рис. L див. опис деталей нижче:

L-1	Гвинти	L-3	Стулка для сміття
L-2	Плоске ребро	L-4	Кріпильна дошка

6. Зафіксуйте регулятор глибини.

#### ЗАМІНА СТУЛКИ ДЛЯ СМІТТЯ (рис. L)

1. Вимкніть мотор і вийміть акумулятор.
2. За допомогою шестигранного гайкового ключа відкрутіть два гвинти.
3. Зніміть гвинти, кріпильну дошку та зношені стулки для сміття.
4. Замініть на нову стулку для сміття та зафіксуйте її за допомогою кріпильної дошки та двох гвинтів.

#### ПЕРЕВІРКА ТА ЗАМІНА ЗАПОБІЖНИКА ВІД ЗНОСУ/ НАПРЯМНОЇ ПЛАСТИНИ (рис. M)

Перед запуском електроінструмента перевірте запобіжник і напрямну пластину. Запобіжник для захисту від зносу необхідно замінити, коли корпус редуктора стає видимим.

**ПРИМІТКА.** Корпус редуктора може бути серйозно пошкоджений, якщо не замінити запобіжник, коли коробка передач стане видимою.

1. Вимкніть мотор і вийміть акумулятор.
2. Надягайте захисні рукавиці. Поверніть лезо, якщо потрібно, щоб відкрити два гвинти.
3. За допомогою шестигранного гайкового ключа відкрутіть два гвинти та зніміть їх.

**ПРИМІТКА.** Якщо вам просто потрібно замінити напрямну пластину, відкрутіть і вийміть тільки гвинт 1.

4. Замініть деформований або зношений протизносний запобіжник/напряму пластину.

- Установіть новий протизносний захисний кожух і напрямну пластину на корпус редуктора і закріпіть їх двома гвинтами.

Рис. М див. опис деталей нижче:

M-1	Гвинт 1	M-4	Протизносний захисний кожух
M-2	Напрямна пластина	M-5	Отвори для кріплення
M-3	Гвинт 2	M-6	Корпус редуктора

## ВИДАЛЕННЯ НАПРЯМНОЇ ПЛАСТИНИ

Якщо у вас є досвід роботи з цим типом інструмента для обрізання кромки, або якщо ви виявите, що напрямна пластина перешкоджає роботі, ви можете зняти напрямну пластину.

- Відкрутіть і зніміть гвинт 1.
- Зніміть напрямну пластину
- Установіть на місце і затягніть гвинт 1.

## ЗМАЩЕННЯ ЗУБЧАСТИХ ПЕРЕДАЧ

Зубчасті передачі в корпусі редуктора необхідно періодично змащувати трансмісійним мастилом. Перевіряйте рівень змащення корпусу редуктора приблизно кожні 50 годин роботи, знявши гвинт із гнізда на боці корпусу.

Якщо на боках редуктора не видно мастила, виконайте кроки нижче, щоб заповнити трансмісійне мастило на 3/4 ємності.

Не заповнюйте редуктори повністю.

- Поставте інструмент у вертикальному положенні так, щоб герметичний гвинт був спрямований вгору (рис. N).
- Використовуйте багатфункціональний гайковий ключ, який входить у комплект, щоб відкрутити та зняти герметичний гвинт. Використовуйте шприц для змащення (не входить у комплект), щоб влити мастило в отвір; не перевищуйте 3/4 ємності.
- Затягніть герметичний гвинт після вливання.

## ЗБЕРІГАННЯ ПРИЛАДУ

- Вийміть акумуляторну батарею з інструмента для обрізання кромки.
- Перед зберіганням інструмент необхідно ретельно очистити.
- Якщо насадку для обрізання кромки знято з приводної головки, і вона зберігається окремо, установіть торцеву кришку на вал для насадок, щоб уникнути потрапляння бруду в муфту.

- Зберігайте пристрій у сухому, добре вентильованому, закритому або високо розташованому недоступному для дітей місці. Не зберігайте пристрій біля мінеральних добрив, бензину та інших хімікатів.

## Захист довкілля



Не викидайте електричне обладнання, акумулятор і зарядний пристрій у побутові відходи! Віднесіть цей виріб авторизованому переробнику й надайте його для роздільного збирання.

Електроінструменти необхідно повернути в підприємство, що займається екологічно безпечною переробкою.

## УСУНЕННЯ НЕСПРАВНОСТЕЙ

НЕСПРАВНІСТЬ	ПРИЧИНА	ВИРІШЕННЯ
Мотор не запускається.	<ul style="list-style-type: none"> <li>■ Акумуляторна батарея не приєднана до приводної головки.</li> <li>■ Немає електричного контакту між приводною головкою та акумуляторною батареєю.</li> <li>■ Акумуляторна батарея розряджена.</li> <li>■ Кнопка блокування та тригер не натиснуто одночасно.</li> </ul>	<ul style="list-style-type: none"> <li>■ Прикріпіть акумулятор до приводної головки.</li> <li>■ Вийміть акумулятор, перевірте контакти та встановіть акумулятор знову, доки він не зафіксується.</li> <li>■ Заряджайте акумулятор зарядними пристроями EGO, переліченими в цьому посібнику.</li> <li>■ Натисніть кнопку блокування та утримуйте її, а потім натисніть на тригер, щоб увімкнути приводну головку.</li> </ul>
Приводна головка зупиняється під час роботи.	<ul style="list-style-type: none"> <li>■ Мотор перевантажено.</li> <li>■ Акумулятор або приводна головка занадто гаряча.</li> <li>■ Акумулятор від'єднано від інструмента.</li> <li>■ Акумуляторна батарея розряджена.</li> </ul>	<ul style="list-style-type: none"> <li>■ Мотор відновить роботу, коли навантаження буде усунуто. Для безперервної роботи зменште навантаження на приводну головку.</li> <li>■ Дайте акумуляторній батареї або приводній головці охолонути, доки температура не опуститься нижче 67°C.</li> <li>■ Знову встановіть акумуляторну батарею.</li> <li>■ Заряджайте акумулятор зарядними пристроями EGO, переліченими в цьому посібнику.</li> </ul>
Нерівний край	<ul style="list-style-type: none"> <li>■ Трава або ґрунт, що обрізаються, занадто вологі.</li> <li>■ Захисний кожух забився.</li> </ul>	<ul style="list-style-type: none"> <li>■ Уникайте обрізання на мокрому ґрунті або вологій траві.</li> <li>■ Зупиніть мотор, вийміть акумуляторну батарею та витягніть сміття із запобіжника ножа.</li> </ul>

**UK**

## ГАРАНТІЯ

### ПРАВИЛА ГАРАНТІЇ EGO

Будь ласка, відвідайте веб-сайт [egopowerplus.eu](http://egopowerplus.eu) для отримання повних умов гарантійної політики EGO.

## ПРОЧЕТЕТЕ ВСИЧКИ ИНСТРУКЦИИ)



**ПРОЧЕТЕТЕ РЪКОВОДСТВОТО НА ОПЕРАТОРА**

**▲ ПРЕДУПРЕЖДЕНИЕ:** За да осигурите безопасността и надеждността, всички поправки и подмени трябва да се извършват от квалифициран сервизен техник.

## СИМВОЛИ ЗА БЕЗОПАСНОСТ

Целта на символите за безопасност е да превличат вниманието към възможни опасности. Символите за безопасност и обясненията към тях заслужават вашето повишено внимание и осъзнаване. Символите за безопасност сами по себе си не елиминират каквато и да е опасност. Инструкциите и предупрежденията, които предоставят не са заместители за подходящите мерки за предотвратяване на инцидент.

**▲ ПРЕДУПРЕЖДЕНИЕ:** Уверете се, че сте прочели и осъзнали всички инструкции за безопасност в това Ръководство на оператора, включително всички известяващи символи за безопасност, като "ОПАСНОСТ," "ПРЕДУПРЕЖДЕНИЕ," и "ВНИМАНИЕ" преди да използвате този инструмент. Неспазването на всички инструкции изброени долу може да доведе до електрически шок, пожар и/или сериозно нараняване.

## ЗНАЧЕНИЕ НА СИМВОЛИТЕ

**▲ СИМВОЛ СИГНАЛИЗИРАЩ ЗА БЕЗОПАСНОСТ:** Показва ОПАСНОСТ, ПРЕДУПРЕЖДЕНИЕ, ИЛИ ВНИМАНИЕ. Могат да бъдат използвани във връзка с други символи или пиктограми.



**▲ ПРЕДУПРЕЖДЕНИЕ:** Експлоатацията на всички електрически инструменти, може да доведе до изхвърляне на чужди предмети към вашите очи, което може да доведе до сериозно нараняване на окото. Преди започване на работа с електрически инструмент, винаги носете предпазни очила със странична защита и визьор за цялото лице, когато е необходимо. Ние препоръчваме предпазна маска с широк визьор за употреба над очила или стандартни предпазни очила със странична защита.

BG

## ИНСТРУКЦИИ ЗА БЕЗОПАСНОСТ

Тази страница изобразява и описва символите за безопасност, които може да се появят по този продукт. Прочетете, осъзнайте и следвайте всички инструкции по машината преди предприемане на сглобяване или работа.

	Сигнал за безопасност	Показва риска от потенциално нараняване на човек.
	Прочетете ръководството на оператора	За намаляване на опасността от нараняване, потребителят трябва да прочете и разбере ръководството на оператора преди използването на този продукт.
	Носете защита за очите и ушите	Винаги носете защита за ушите, предпазни очила със странична защита и предпазен екран за цялото лице, когато работите с този продукт.
	Дължина на ножа на уреда за обкантване	Дължина на ножа на уреда за обкантване
	Дръжте околните хора надалеч	Разстоянието между машината и околните хора трябва да бъде минимум 15 м.
	Посока на въртене на острието на тримера	Показва посоката на въртене на острието на тримера.
	Изхвърлени предмети	Отпадъците от тримера за ръбове могат да повлияят на стабилната стойка. Използвайте повишено внимание, когато се разождате по зоната на подрязване.
	Носете предпазни ръкавици	Носете неплъзгащи се обувки за безопасност, когато използвате това оборудване.



	Въртящо режещо острие	Не поставяйте ръцете или краката си в близост или под въртящите се части.
	Спазвайте достатъчно разстояние от електрически кабели.	За да предотвратите токов удар не работете на разстояние от 15m от въздушни електропроводи. Контактът със или употребата в близост до електропроводи може да причини сериозно нараняване или токов удар водещ до смърт.
	CE	Този продукт е в съответствие с приложимите директиви на ЕС.
	UKCA	Този продукт е в съответствие с приложимото законодателство на Великобритания.
	WEEE	Отпадъчните електрически продукти не трябва да бъдат изхвърляни заедно с домакинския отпадък. Отнесете го до упълномощено място за рециклиране.
	Шум	Гарантирано ниво на мощност на звука. Звуките емисии към околната среда са в съответствие с директивите на европейската общност.
V	Волта	Напрежение
mm	Милиметър	Дължина или размер
cm	Сантиметър	Дължина или размер
kg	Килограм	Тегло
	Постоянен ток	Вид или характеристика на тока

#### Общи предупреждения за безопасност на машината

**⚠ ПРЕДУПРЕЖДЕНИЕ:** Прочетете всички предупреждения за безопасност, инструкции, илюстрации и спецификации предоставени с тази машина. Неспазването на всички инструкции изброени долу може да доведе до токов удар, пожар и/или сериозно нараняване.

#### ЗАПАЗЕТЕ ВСИЧКИ ПРЕДУПРЕЖДЕНИЯ И ИНСТРУКЦИИ ЗА БЪДЕЩА СПРАВКА.

Терминът “машина” в предупрежденията се отнася до вашата машина, захранвана от електрическата мрежа (с кабел) или от батерия (без кабел).

#### Безопасност на работната зона

- Поддържайте работната зона чиста и добре осветена. Разхвърляни или тъмни работни зони пораждат инциденти.
- Не работете с машини в експлозивна атмосфера, като например в присъствието на запалими течности, газ или прах. Машините създават искри, които могат да възпламенят прах или изпарения.
- Дръжте на разстояние децата и страничните лица, докато работите с машина. Разсейването може да причини загуба на контрол.

#### Електрическа безопасност

- Щепселите на машината трябва да съответстват на контакта. Никога не модифицирайте щепсела по какъвто и да е начин. Не използвайте какъвто и да е адаптер със заземени (замасени) машини. Немодифицираните щепсели и съответстващите контакти ще намалят риска от електрически шок.
- Избягвайте контакт на тялото със заземени повърхности, като тръби, радиатори, кухненски печки и хладилници. Съществува повишена опасност от токов удар, ако тялото Ви е заземено.
- Не работете с машината при дъждовни или мокри условия. Водата, влизаща в машината, може да увеличи риска от токов удар или неизправност, които могат да доведат до телесна повреда.
- Не злоупотребявайте с кабела. Никога не използвайте кабела за пренасяне, изтегляне или изключване от контакта на машината. Дръжте кабела настрана от топлина, масло, остри ръбове или движещи се части. Повредени или оплетени кабели увеличават риска от електрически удар.
- Когато работите с машина на открито, използвайте удължителен кабел подходящ за употреба на открито. Употребата на кабел подходящ за употреба на открито намалява риска от електрически удар.

**BG**

- Ако работата с машината на влажно място е неизбежна, използвайте хранване със защитен прекъсвач на веригата при неизправно заземяване (GFCI). Употребата на GFCI намалява риска от електрически удар.

## Лична безопасност

- Внимавайте, гледайте какво правите и използвайте здрав разум, когато работите с машина. Не използвайте машината, когато сте уморени или когато сте под влияние на наркотици, алкохол или лекарства. Момент невнимание по време на работата с машини може да доведе до сериозно нараняване.
- Използвайте лични предпазни средства. Винаги носете защита за очите. Защитно оборудване като прахови маски, не плъзгащи се безопасно обувки, твърда каска или защита за слуха използвана при подходящи условия ще намали риска от лични наранявания.
- Предотвратете непреднамерено пускане. Уверете се, че ключът е в изключена позиция, преди да свържете към хранване и/или батерия, повдигайки или носейки машината. Пренасянето на машини с пръст върху превключвателя или включването на машини, които са с включен превключвател, води до злополуки.
- Извадете всеки регулиращ ключ или гаечен ключ, преди да включите машината. Гаечен или друг ключ оставен закачен към въртящите се части на машината може да доведе до лично нараняване.
- Не се протягайте. Запазете правилна стойка и баланс по всяко време. Това позволява по-добър контрол върху машината в непредвидени ситуации.
- Облечете се подходящо. Не носете отпуснати дрехи или бижута. Дръжте косата и дрехите си далеч от движещи се части. Отпуснати дрехи, бижута или дълга коса, могат да бъдат хванати в движещите се части.
- Ако са предоставени устройства за свързване на прахуловител или съоръжения за събиране, уверете се, че те са свързани и са правилно използвани. Употребата на устройства за събиране на прах може да намали рисковете свързани с прах.
- Не позволявайте на рутината, придобита от честата употреба на машини, да позволи небрежност небрежни и игнориране на принципите за безопасност при работа с машина. Небрежно действие може да причини сериозно нараняване за части от секундата.

BG

## Използване и грижа за машината

- Не насилвайте машината. Използвайте правилната машина за вашето приложение. Правилната машина ще свърши работата по-добре и по-безопасно при капацитета за който е проектирана.
- Не използвайте машината, ако превключвателят не го включва и изключва. Машината, която не може да бъде контролирана от превключвателя, е опасна и трябва да бъде поправена.
- Разкачете щепсела от хранването и/или извадете батерията, ако може да се извади, от машината, преди да извършите настройки, смяна на аксесоари или съхраняване на машините. Такива превантивни мерки за безопасност намаляват риска от случайно стартиране на машината.
- Съхранявайте неизползваните машини далеч от обсега на деца и не позволявайте на лица, които не са запознати с машината или тези инструкции, да работят с машината. Машините са опасни в ръцете на необучени потребители.
- Поддържайте машини и аксесоари. Проверете за разместване или блокиране на подвижни части, счупване на части, и всякакви други условия, които могат да повлияят на работата на машината. Ако е повредена, поправете машината преди употреба. Много злополуки се причиняват от лошо поддържани машини.
- Поддържайте режещите машини остри и чисти. Правилно поддържани режещи машини, с остри режещи ръбове и по-малко вероятно да се заклещат и по-лесно се контролират.
- Използвайте машината, аксесоарите, накрайниците на машината и т.н. в съответствие с тези инструкции, като вземете предвид условията на работа и вида работа, която ще бъде извършвана. Употребата на машината за дейности различни от предназначенията може да доведе до опасни ситуации.
- Дръжте ръкохватките и повърхностите за захващане сухи, чисти и без масло и грес. Хлъзгавите ръкохватки и места за захващане не позволяват безопасно боравене и контролиране на машината при неочаквана ситуация.

## Използване и грижа за акумулаторната машина

- Презареждайте само със зарядното устройство определено от производителя. Зарядно устройство, което е подходящо за един вид акумулаторна батерия може да създаде опасност от пожар, когато се използва с друга акумулаторна батерия.

- Използвайте машините само със специфично обозначени акумулаторни батерии. Използването на всяка друга акумулаторна батерия може да създаде риск от нараняване и пожар.
- Когато акумулаторните батерии не са в употреба ги дръжте на разстояние от други метални обекти, като кламери, монети, ключове, пирони, отвертки или други малки метални предмети, които могат да направят свързване между клемите. Свързване на късо на клемите на батерията може да причини изгаряне или пожар.
- При условия на злоупотреба, може да се изхвърли течност от батерията. Избягвайте контакт. В случай на инцидентен контакт измийте с вода. Ако течността влезе в контакт с очите, потърсете допълнително медицинска помощ. Течността изхвърлена от батерията може да причини раздразнение или изгаряния.
- Не използвайте акумулаторна батерия или машина, които са повредени или модифицирани. Повредените или модифицираните батерии може да проявят непредсказуемо поведение, което да доведе до пожар, експлозия или риск от нараняване.
- Не излагайте батерията или машината на огън или прекомерна температура. Излагане на огън или температура над 130°C може да причини експлозия.
- Следвайте всички инструкции за зареждане и не зареждайте батерията или машината извън температурния обхват зададен в инструкциите. Неправилното зареждане или зареждане извън определения температурен обхват може да повреди батерията и да повиши риска от пожар.

#### ВАЖНИ ИНСТРУКЦИИ ЗА БЕЗОПАСНОСТ

**⚠ ПРЕДУПРЕЖДЕНИЕ!** Когато използвате електрически градински уреди, винаги трябва да бъдат спазвани основни предпазни мерки за безопасност, за да се намали риска от пожар, токов удар и лично нараняване, включвайки следното:

#### ПРОЧЕТЕТЕ ВНИМАТЕЛНО ПРЕДИ УПОТРЕБА

#### ЗАПАЗЕТЕ ЗА БЪДЕЩА СПРАВКА

**⚠ ОПАСНОСТ!** Не разчитайте на изолацията на инструмента срещу токов удар. За да намалите риска от токов удар, никога не работете с машината в близост до жици или кабели (захранващи и др.), които могат да носят електрическо напрежение.

**⚠ ВНИМАНИЕ!** Носете подходяща защита за слуха по време на употреба. При определени условия и продължителност на употреба, звукът от този продукт може да допринесе за загуба на слуха.

#### Обучение

- Прочете внимателно инструкциите. Запознайте се с управлението и правилната употреба на оборудването.
- Никога не позволявайте деца и хора, които не са запознати с това оборудване да използват тримера за ръбове. Местните разпоредби могат да ограничат възрастта на оператора.
- Никога не подкастряйте, докато в близост има хора, особено деца или домашни любимци.
- Имайте предвид, че операторът или потребителят е отговорен за инциденти или опасности, причинени на други хора или тяхната собственост.

#### Подготовка

- Докато подрязвате, винаги носете защита за очите и ушите, подходящи обувки и дълги панталони.
- Инспектирайте старателно повърхността, където ще бъде използвано оборудването и премахнете всички камъни, пръчки, жици, кости и други чужди предмети.
- Преди употреба правете винаги визуална инспекция за да проверите дали ножовете, болта за ножа и устройството на резача не са износени или повредени. Подменяйте износените остриета и болтове в комплект за да съхраните баланса.

#### Експлоатация

- Подрязвайте единствено на дневна светлина или на добра изкуствена светлина.
- Винаги бъдете сигурни за стабилността на краката по наклон.
- Вървете, никога не бягайте.
- Използвайте повишено внимание, когато давате назад или издърпвате тримера към вас.
- Уверете се, че ножовете са напълно спрели, преди да прекосите повърхности различни от трева и когато транспортирате тримера към и от зоната, която трябва да бъде подрязана.
- Никога не работете с тримера, когато е с дефектни, липсващи или неправилно поставени предпазители.

- Не променяйте настройките на регулатора на мотора или не превишавайте скоростта на мотора.
- Стартирайте внимателно включването на мотора, съгласно инструкциите и с крака на добро разстояние извън ножа(овете).
- Не стартирайте мотора, когато има страничен човек пред ножа(овете).
- Не поставяйте ръцете или краката си в близост или под въртящите се части.
- Винаги изключвайте мотора и разединете от батерията:
  - 1) Преди почистване на запушвания;
  - 2) Преди проверка, почистване и работа по ножа(овете);
  - 3) След удяне на чужд предмет: Проверете ножа(овете) за повреда и направете ремонти преди да рестартирате и да работите с тримера;
  - 4) Ако тримера започне да вибрира необичайно (проверете незабавно).
- Спрете мотора винаги, когато оставяте тримера;
- Не зареждайте акумулаторната батерия при дъжд или в мокра среда.
- Използвайте само с акумулаторни батерии и зарядни устройства изброени на фиг. А.
- Акумулаторната батерия, трябва да бъде премахната от уреда преди да бъде предаден за скрап.
- Батерията трябва да бъде безопасно изхвърлена като отпадък.
- Не изхвърляйте батерията в огън. Клетките могат да експлодират. Проверете местните власти за наличие на специални инструкции за изхвърляне.
- Не отваряйте или изменяйте батерията. Освободеният електролит е корозивен и може да причини щети по очите или кожата. Може да бъде токсичен ако е погълнат.
- Подходете с внимание при боравене с батерията за да не окъсите батерията с токопроводими материали като обеци, гривни и ключове. Батерията или проводникът може да прегреят и да причинят изгаряния.
- Инструментите с батерия не трябва да бъдат закачени към електрически контакт, поради това те винаги са в работно състояние. Бъдете подготвени за възможни опасности, дори когато инструментът не работи. Бъдете внимателни, когато извършвате поддръжка или обслужване.
- Не измивайте с маркуч, избягвайте попадане на вода в мотора и електрическите връзки.

## Поддръжка и съхранение

- Дръжте всички гайки, болтове и винтове затегнати за да сте сигурни, че оборудването е в безопасно работно състояние.
- Подменете износените или повредените части.
- Не се опитвайте да поправите машината освен ако сте компетентен да го направите.
- Използвайте единствено препоръчани от производителя резервни части и аксесоари.
- Разединете машината от батерията, преди да извършите работа по поддръжка или почистване.
- Проверявайте и поддържайте машината редовно. Ремонтирайте машината единствено в оторизиран сервис.
- Когато не е в употреба, съхранете машината извън достъпа на деца.
- Ако настъпят събития, които не са засегнати в това ръководство, бъдете предпазливи и използвайте добра преценка. Свържете се с сервисния център на EGO за помощ.
- Запазете тези инструкции. Обръщайте се често към тях и ги използвайте за инструктиране на други, които може да използват този инструмент. Ако заемете този инструмент на някой друг, вземете им също и тези инструкции, за да се предотврати злоупотреба с продукта и вероятно нараняване.

## ЗАПАЗЕТЕ ТЕЗИ ИНСТРУКЦИИ

**БЕЛЕЖКА: ВИЖТЕ РЪКОВОДСТВОТО НА ОПЕРАТОРА НА ВАШАТА ЗАХРАНВАЩА ГЛАВА ЗА ДОПЪЛНИТЕЛНИ КОНКРЕТНИ ПРАВИЛА ЗА БЕЗОПАСНОСТ.**

## СПЕЦИФИКАЦИИ

Дължина на ножа	20 см
Дълбочина на подрязване	До 75 мм
Тегло	2,26 кг
Работна температура	-15°C - 40°C
Температура на съхранение	-20°C - 70°C

Измерено ниво на сила на звука $L_{WA}$	92,4 дБ (А) $K=2,07$ дБ (А) (РН1400Е)	
	90,7 дБ (А) $K=1,46$ дБ (А) (РН1420Е)	
	90 дБ(А) $K=1,3$ дБ(А) (РНХ1600)	
Ниво на звуково налягане при ухото на оператора $L_{PA}$	79,8 дБ(А) $K=3$ дБ(А) (РН1400Е)	
	81,2 дБ(А) $K=3$ дБ(А) (РН1420Е)	
	84 дБ(А) $K=3$ дБ(А) (РНХ1600)	
Гарантирано ниво на сила на звука $L_{WA}$ (съгласно 2000/14/ЕС)	95 дБ(А)	
Вибрации при $v_h$	Предната спомогателна ръкохватка	1,2 $m/s^2$ $K=1,5$ $m/s^2$ (РН1400Е)
		1,95 $m/s^2$ $K=1,5$ $m/s^2$ (РН1420Е)
		1,6 $m/s^2$ $K=1,5$ $m/s^2$ (РНХ1600)
	Задна ръкохватка	2,2 $m/s^2$ $K=1,5$ $m/s^2$ (РН1400Е)
		1,66 $m/s^2$ $K=1,5$ $m/s^2$ (РН1420Е)
		1,53 $m/s^2$ $K=1,5$ $m/s^2$ (РНХ1600)

- Горните параметри са тествани и измерени оборудвани със захванваща глава РН1400Е/РН1420Е/РНХ1600;
- Деклариеният общ размер на вибрации е измерен в съответствие със стандартния метод за тест и може да бъде използван за сравнение между два инструмента;
- Деклариеният общ размер на вибрации може също така да бъде използван за предварителна оценка на влиянието.

**БЕЛЕЖКА:** Вибрационните емисии по време на действителната употреба на електрическия инструмент може да се различава от декларираната стойност. С цел да се защити оператора, потребителят трябва да носи ръкавици и антифони в действителни условия на работа.

## ОПАКОВЪЧЕН ЛИСТ

ИМЕ НА ЧАСТ	БРОЙ
Приставка тример за ръбове	1
Ключ шестограм	1
Мултифункционален гаечен ключ	1
Шплинт	2
Ръководство на оператора	1

## Препоръчителен нож

ИМЕ НА ЧАСТ	НОМЕР НА МОДЕЛ
Нож на тримера за ръбове	АЕВ0800

## ОПИСАНИЕ

### ЗАПОЗНАЙТЕ СЕ С ВАШАТА ПРИСТАВКА ТРИМЕР ЗА РЪБОВЕ (Фиг. А)

1. Крайна капачка
2. Прът на тримера
3. Предпазител на ножа
4. Нож
5. Копче за регулиране на дълбочината
6. Насочващо колелце
7. Ключ шестограм
8. Мултифункционален гаечен ключ
9. Водеща лента за регулиране на дълбочината
10. Клапа за отпадъци
11. Шплинт
12. Винт за заключване на водещата пластина на място
13. Водеща пластина

## МОНТАЖ

**⚠ ПРЕДУПРЕЖДЕНИЕ:** Ако някои от частите са повредени или липсват, не работете с този продукт, докато частите не се подменят. Използването на този продукт с повредени или липсващи части може да доведе до сериозно лично нараняване.

BG

**⚠ ПРЕДУПРЕЖДЕНИЕ:** Не се опитвайте да модифицирате този продукт или да създадете аксесоари, които не се препоръчват за употреба с този продукт. Всяка такава промяна или модификация е злоупотреба и може да доведе до опасни условия с последици от възможни сериозни наранявания.

**⚠ ПРЕДУПРЕЖДЕНИЕ:** За да предотвратите случайно стартиране, което може да причини сериозно нараняване винаги изваждайте акумулаторната батерия от машината, когато сглобявате частите.

**⚠ ПРЕДУПРЕЖДЕНИЕ:** Винаги носете ръкавици, когато монтирате или подмените предпазителя. Внимавайте за ножа в предпазителя и защитете своята ръка от порязване.

**⚠ ПРЕДУПРЕЖДЕНИЕ:** Никога не работете с машината без предпазителят да е здраво на мястото му. Предпазителят трябва винаги да е на машината, за да предпазва потребителя! Когато предпазителят е фиксиран, никога не се опитвайте да извадите или да регулирате предпазителя, ако е необходима подмяна, трябва да бъде извършена от квалифициран сервизен техник!

## СВЪРЗВАНЕ НА ПРИСТАВКАТА ТРИМЕР ЗА РЪБОВЕ КЪМ ЗАХРАНВАЩАТА ГЛАВА

Тази приставка тример за ръбове е проектирана за употреба с EGO 56V литиево-йонна захранваща глава RH1400E/RH1420E/RHX1600.

Вижте раздел “МОНТИРАНЕ НА ПРИСТАВКА КЪМ ЗАХРАНВАЩАТА ГЛАВА” в ръководството на оператора на захранваща глава RH1400E/RH1420E/RHX1600.

## ЕКСПЛОАТАЦИЯ

**⚠ ПРЕДУПРЕЖДЕНИЕ:** Не позволявайте рутината с този продукт да ви направи непредпазливи. Запомнете, че невнимание за малка част от секундата е достатъчна за да нанесете сериозно нараняване.

**⚠ ПРЕДУПРЕЖДЕНИЕ:** Винаги носете защита за очите заедно със защита за слушата. Ако не го направите може да доведе до изхвърляне на предмети към очите ви и други възможни сериозни наранявания.

## ПРИЛОЖЕНИЯ

Може да използвате този продукт за целите описани долу:

- Подрязване на ръбове около алеи, бордюри, цветни лехи и други подобни зони.

**БЕЛЕЖКА:** Инструментът трябва да бъде използван само за предназначенията цели. Всяка друга употреба се смята за случай на злоупотреба.

## Преди всяка употреба проверявайте за повредени/износени части

Проверете ножа, предпазителя и предната спомагателна ръкохватка и подменете всички части, които са напукани, деформирани, изкривени или повредени по някакъв начин.

**⚠ ПРЕДУПРЕЖДЕНИЕ:** За да предотвратите сериозно нараняване, извадете акумулаторната батерия от инструмента, преди обслужване, почистване, смяна на приставките или изваждане на материал от устройството.

## ИЗПОЛЗВАНЕ НА ПРИСТАВКАТА ТРИМЕР ЗА РЪБОВЕ СЪС ЗАХРАНВАЩА ГЛАВА

**⚠ ПРЕДУПРЕЖДЕНИЕ:** Облечете се правилно за да намалите риска от нараняване, когато работите с този инструмент. Не носете отпуснати дрехи или бижута. Носете защита за очите и защита за очите/слушата. Носете тежки, дълги панталони, ботуши и ръкавици. Не носете къси панталони или сандали или не ходете бос. Носете маска за лицето или прахова маска при запрашени места.

**⚠ ПРЕДУПРЕЖДЕНИЕ:** Изчистете всички препятствия или твърди обекти от работната зона.

За безопасна и по-добра работа, поставете ремъка за рамо през рамото си. Регулирайте ремъка за рамо в удобна работна позиция.

Дръжте тримера с вашата дясна ръка за задната ръкохватка и вашата лява ръка на предната спомагателна ръкохватка. Поддържайте здрав захват и с двете ръце, докато работите с инструмента. Тримерът трябва да бъде държан в удобна позиция, като задната ръкохватка е на височината на бедрото (Фиг. В).

**⚠ ПРЕДУПРЕЖДЕНИЕ:** Ремъкът за рамо, също е механизъм за бързо освобождаване при опасни ситуации. При наличие на аварийна ситуация, свалете го незабавно от рамото си, независимо по кой начин се намира.

## След всяка употреба почистете тримера.

Вижте раздел ПОДДРЪЖКА за инструкции за почистване.

## РЕГУЛИРАНЕ НА ДЪЛБОЧИНАТА НА РЯЗАНЕ

1. Спрете мотора и извадете акумулаторната батерия.

2. Разхлабете копчето за регулиране на височината по посока на стрелката за отключване маркирана на копчето (Фиг. С).
3. Преместете водещото колело по водещата лента за регулиране на дълбочината, нагоре за да увеличите дълбочината на разреза или надолу за да намалите дълбочината (Фиг. D).
4. Регулирайте насочващото колело, така че ножът точно да докосва земята или да разравя повърхността на почвата с не повече от 5 мм (Фиг. E) и след това го затегнете сигурно.
5. Стойки в нормална работна позиция, проверете отново дълбочината на разреза и коригирайте при необходимост.

### ЗА ДА СТАРТИРАТЕ/СПРЕТЕ ИНСТРУМЕНТА

Вижте раздел "СТАРТИРАНЕ/СПИРАНЕ НА ЗАХРАНВАЩАТА ГЛАВА" в ръководството на оператора на захранваща глава PH1400E/PH1420E/PHX1600.

### СЪВЕТИ ПРИ РАБОТА

- Дръжте и насочете захранващата глава, така че ножът да е вертикален. Използвайте линията на зрението, за да подравните острието по ръба на леглото (Фиг. F)
- Работете не по бързо от нормална скорост на ходене. Ако ножът започне да затъва, вие подрязвате твърде бързо, намалете вашата скорост.
- Винаги вървете напред по време на рязане и придвижвайте тримера напред. Не издърпвайте тримера към вас.
- Не насилвайте ножа в земята. Лек контакт на ножа с ръба на алеята, бордюра и т.н е приемлив и няма да повреди тримера.
- Най-добрите резултати се получават, когато тревата е суха. Избягвайте подрязването в зони с мокра почва или с мокра трева или предпазителят на ножа може да се запуши и да доведе до неравен ръб. Ако предпазителят на ножа се запуши, спрете мотора, извадете батерията и отстранете натрупванията от предпазителя на ножа.

### ПОДДРЪЖКА

**⚠ ПРЕДУПРЕЖДЕНИЕ:** Преди инспекция, почистване или обслужване на уреда спрете мотора, изчакайте всички движещи части да спрат и извадете акумулаторната батерия. Неспазването на тези инструкции може да доведе до сериозно нараняване или щети по собствеността.

**⚠ ПРЕДУПРЕЖДЕНИЕ:** Когато обслужвате, използвайте само идентични резервни части. Употребата на каквито и да е други части може да създаде опасност или да предизвика повреда на продукта. За да осигурите безопасност и издръжливост, всички ремонти, различни от артикулите изброени в тези инструкции за поддръжка, трябва да бъдат извършвани от квалифициран сервизен техник.

### ОБЩА ПОДДРЪЖКА

Избягвайте употребата на разтворители, когато почиствате пластмасовите части. Повечето пластмасови части са уязвими на повреда от различни видове разтворители в търговската мрежа и може да се повредят от тяхната употреба. Използвайте чист плат, за премахване на мръсотия, прах, масло и т.н.

### ПОЧИСТВАНЕ НА УРЕДА

- След всяка употреба почистете натрупванията, запушената почва или трева по ножа и предпазителя с мека четка. Избършете повърхността на тримера с мека кърпа навлажнена с мек сапунен разтвор.
- Използвайте малка четка или малка прахосмукачка за да почистите, вентилационните отвори в задната страна на корпуса.

**БЕЛЕЖКА:** Не използвайте силен почистващ препарат по пластмасата на корпуса или ръкохватката. Те могат да бъдат повредени от определени ароматни масла като бор и лимон.

### ПОДМЯНА НА НОЖА

**⚠ ПРЕДУПРЕЖДЕНИЕ:** Не се опитвайте да подсилите или да заварите огънат или напукан нож - той може да се счупи, трябва да бъде подсилен. Препоръчва се подмяна само с нож за тример за ръбове EGO вижте раздел "Препоръчани ножове".

**БЕЛЕЖКА:** Подменете ножа ако неговата дължина вече не е достатъчна да поддържа необходимия просвет от земята и да получи желаната дълбочина на рязане.

**⚠ ПРЕДУПРЕЖДЕНИЕ:** Винаги защитете ръцете си, чрез носене на тежки ръкавици или чрез обвиване на ножа с парцали или други материали, когато извършвате поддръжка на ножа на тримера.

### Изваждане на ножа

1. Спрете мотора и извадете акумулаторната батерия.

2. Оставете тримера легнал на гърба си, така че ножа да сочи нагоре.
3. Носете защитни ръкавици. Използвайте клещи с игловидни челюсти (не са включени) за да премахнете шплинта от вала на мотора (Фиг. G).
4. Завъртете острието за да подравните слота на фланеца с отвора на предавателната кутия (Фиг. G).

Фиг. G описание на части виж долу:

G-1	Шплинт
G-2	Вътрешен фланец
G-3	Предавателна кутия

5. Поставете предоставения ключ шестограм в подравнените отвори за да действа като стабилизатор. Използвайте предоставения мултифункционален ключ за да разхлабите гайката ПО ЧАСОВНИКА (Фиг. H).
6. Извадете гайката, външния фланец, ножа и вътрешния фланец от вала на мотора (Фиг. I). Проверете и ги подменете ако са износени.

Фиг. I описание на части виж долу:

I-1	Вал на мотора	I-5	Нож
I-2	Вътрешен фланец	I-6	Външен фланец
I-3	Отвор във вътрешния фланец	I-7	Гайка
I-4	Издатина на вътрешния фланец	I-8	Шплинт

## Монтиране на ножа

1. Позиционирайте вътрешния фланец във вала на мотора, като издатината сочи навън. (Фиг. I).
2. Монтирайте новия нож във вътрешния фланец, като се уверите, че ножът е монтиран сигурно на местото си (Фиг. J).
3. Монтирайте външния фланец и гайката във вала и затегнете гайката с ръка **ОБРАТНО НА ЧАСОВНИКА**.
4. Следвайте стъпки 4 и 5 в "Изваждане на ножа" за да стабилизирате ножа и сигурно да затегнете гайката **ОБРАТНО НА ЧАСОВНИКА**.
5. Поставете предоставения нов шплинт в отвора на вала на мотора. Изкривете двата крака на шплинта в противоположни посоки чрез клещи с иглени челюсти (не са включени) (Фиг. G).

## ПОДМЯНА НА НАСОЧВАЩОТО КОЛЕЛО

1. Спрете мотора и извадете акумулаторната батерия.
2. Оставете тримера легнал на гърба си, така че насочващото колело да сочи нагоре.
3. Разхлабете копчето за регулиране на височината по посока на стрелката за отключване маркирана на копчето и извадете.
4. Извадете пружинната шайба, плоската шайба 1, насочващото колело, втулката и плоската шайба 2 от резбованата шпилка (Фиг. K). Проверете и ги подменете ако са износени.
5. Монтирайте резбованата шпилка първо през водещата лента за регулиране на дълбочината и след това монтирайте плоската шайба 2, втулката и новото колело, след него монтирайте плоската шайба 1, пружинната шайба и копчето за регулиране на дълбочината в резбованата шпилка, в последователността показана на Фиг. K.

Фиг. K описание на части виж долу:

K-1	Копче за регулиране на дълбочината	K-5	Втулка
K-2	Пружинна шайба	K-6	Плоска шайба 2
K-3	Плоска шайба 1	K-7	Резбована шпилка
K-4	Насочващо колело	K-8	Водеща лента за регулиране на дълбочината

**БЕЛЕЖКА:** Насочващото колело трябва да бъде монтирано с плоските ребра сочещи навътре (Фиг. L).

Фиг. L описание на части виж долу:

L-1	Винтове	L-3	Клапа за отпадъци
L-2	Плоско ребро	L-4	Монтажна пластина

6. Заклучете копчето за регулиране на дълбочината.

## ПОДМЯНА НА КЛАПАТА ЗА ОТПАДЪЦИ (Фиг. L)

1. Спрете мотора и извадете акумулаторната батерия.
2. Използвайте предоставения ключ шестограм за да разхлабите двата винта.
3. Извадете винтовете, закрепващата пластина и износената клапа за отпадъци.
4. Подменете с нова клапа за отпадъци и я застопорете с монтажната пластина и двата винта.



## ПРОВЕРКА И ПОДМЯНА НА ПРЕДПАЗИТЕЛЯ ПРОТИВ ИЗНОСВАНЕ / ВОДЕЩАТА ПЛАСТИНА (Фиг. М).

Проверете предпазителят против износване и водещата пластина за повреди преди да стартирате инструмента. Предпазителят против износване трябва да бъде подменен веднага след като предавателната кутия започне да се вижда.

**БЕЛЕЖКА:** Предавателната кутия може да бъде сериозно повредена ако не подмените предпазителя против износване, веднага след като се открие видимост до предавателната кутия.

1. Спрете мотора и извадете акумулаторната батерия.
2. Носете защитни ръкавици. Завъртете ножовете, както е необходимо за да покажете двата винта.
3. Използвайте предоставения ключ шестограм за да разхлаете двата винта и да ги извадите.

**БЕЛЕЖКА:** Ако има необходимост подмените водещата пластина, разхлаете и отстранете винт 1.

4. Подменете деформирания или износен предпазител против износване / водеща пластина.
5. Монтирайте новите предпазител против износване и водеща пластина към предавателната кутия и ги закрепете с двата винта.

Фиг. М описание на части виж долу:

M-1	Винт 1	M-4	Предпазител против износване
M-2	Водеща пластина	M-5	Монтажни отвори
M-3	Винт 2	M-6	Предавателна кутия

## ИЗВАЖДАНЕ НА ВОДЕЩАТА ПЛАСТИНА

Ако имате опит с този тип тример или ако прецените, че водещата пластина възпрепятства вашата работа по подрязването, може да отстраните водещата пластина.

1. Разхлаете и отстранете винт 1.
2. Извадете водещата пластина.
3. Подменете и затегнете винт 1.

## СМАЗВАНЕ НА ПРЕДАВКИТЕ НА ТРАНСМИСИЯТА

Предавките на трансмисията в предавателната кутия трябва да бъдат периодично смазвани със смазка за редукторни предавки. Проверете нивото на смазката в предавателната кутия приблизително на всеки 50 часа работа, като извадите уплътняващия винт от страни на кутията.

Ако не може да бъде видяна смазка от страни на редуктора, следвайте долните стъпки за да запълните с грес за редукторни предавки до 3/4 от капацитета.

Не напълвайте изцяло предавките на трансмисията.

1. Позиционирайте тримера изправен, така че уплътняващият винт да сочи нагоре (Фиг. N).
2. Използвайте предоставения мултифункционален ключ за да разхлаете и премахнете уплътняващия винт. Използвайте гресьорка (не е включена) за да вкарате малко грес в отвора на винта, не надвишавайте 3/4 от капацитета.
3. Затегнете уплътняващия винт след гресирането.

## СЪХРАНЯВАНЕ НА УРЕДА

- Извадете акумулаторната батерия от тримера.
- Почистете изцяло инструмента преди да го съхраните.
- Ако приставката тример за ръбове се извади от захранващата глава и се съхрани отделно, поставете крайната капачка на пръта на приставката за да избегнете навлизането на мръсотия в съединителното устройство.
- Съхранете уреда в сухо място с добра вентилация, заключен или съхраняван на високо извън достъпа на деца. Не съхранявайте уреда в близост или върху тор, бензин или други химикали.

## Опазване на околната среда



Не изхвърляйте електрическо оборудване, използвана батерия или зарядно устройство в домакинския отпадък! Отнесете продукта до упълномощена фирма за рециклиране и го предоставете за разделно събиране. Електрическите машини трябва да бъдат връщани в съоръжения за рециклиране съвместими с околната среда.

## ОТСТРАНЯВАНЕ НА НЕИЗПРАВНОСТИ

ПРОБЛЕМ	ПРИЧИНА	РЕШЕНИЕ
Моторът не може да стартира.	<ul style="list-style-type: none"> <li>■ Акумулаторната батерия не е прикрепена към захранващата глава.</li> <li>■ Няма електрически контакт между захранващата глава и батерията.</li> <li>■ Акумулаторната батерия е изтощена.</li> <li>■ Бутонът за отключване и спусъкът не са натиснати едновременно.</li> </ul>	<ul style="list-style-type: none"> <li>■ Закрепете акумулаторната батерия към захранващата глава.</li> <li>■ Извадете батерията, проверете контактите и монтирайте отново докато влезе на местото си.</li> <li>■ Заредете акумулаторната батерия със зарядни EGO посочени в това ръководство.</li> <li>■ Натиснете и задръжте бутона за отключване и след това натиснете спусъка за да включите захранващата глава.</li> </ul>
Захранващата глава спира по време на работа.	<ul style="list-style-type: none"> <li>■ Моторът е претоварен.</li> <li>■ Акумулаторната батерия или захранващата глава са твърде горещи.</li> <li>■ Акумулаторната батерия е разединена от инструмента.</li> <li>■ Акумулаторната батерия е изтощена.</li> </ul>	<ul style="list-style-type: none"> <li>■ Моторът ще се възстанови, когато натоварването е отстранено. За да продължите работа намалете натоварването от захранващата глава.</li> <li>■ Позволете на акумулаторната батерия или на захранващата глава да се охлади, докато температурата спадне под 67°C.</li> <li>■ Монтирайте отново акумулаторната батерия.</li> <li>■ Заредете акумулаторната батерия със зарядни EGO посочени в това ръководство.</li> </ul>
Неравен ръб	<ul style="list-style-type: none"> <li>■ Тревата или ръба на почвата е твърде мокър.</li> <li>■ Предпазителят на ножа е запушен.</li> </ul>	<ul style="list-style-type: none"> <li>■ Избягвайте подрязване в мокра почва или мокра трева.</li> <li>■ Спрете мотора, извадете батерията и отстранете натрупванията от предпазителя на ножа.</li> </ul>

## BG ГАРАНЦИЯ

### ГАРАНЦИОННА ПОЛИТИКА EGO

Моля посетете уебсайта [egopowerplus.eu](http://egopowerplus.eu) за пълните условия по гаранционната политика на EGO.

## PROČITAJTE UPUTE U CIJELOSTI!



### PROČITAJTE KORISNIČKI PRIRUČNIK

**⚠ UPOZORENJE!** Radi osiguranja sigurnosti i pouzdanosti sve popravke i zamjene treba obavljati kvalificirani servisni tehničar.

## SIGURNOSNI SIMBOLI

Svrha sigurnosnih simbola je skretanje pozornosti na moguće opasnosti. Sigurnosni simboli i njihova objašnjenja zahtijevaju vašu potpunu pozornost i razumijevanje. Sami simboli upozorenja ne isključuju opasnost. Upute i upozorenja koja pružaju nisu zamjena za propisne mjere za prevenciju nesreća.

**⚠ UPOZORENJE!** Prije korištenja ovog alata pobrinite se da sve upute u ovom korisničkom priručniku, uključujući sve sigurnosne simbole kao što su **"OPASNOST"**, **"UPOZORENJE"** I **"OPREZ"** pročitate s razumijevanjem. Zanemarivanje svih uputa navedenih u nastavku može rezultirati strujnim udarom, požarom i/ili teškim tjelesnim ozljedama.

## ZNAČENJE SIMBOLA

**⚠ SIGURNOSNI SIMBOL:** ukazuje na OPASNOST, UPOZORENJE ILI OPREZ. Može se koristiti u kombinaciji s drugim simbolima ili piktoqramima.








**⚠ UPOZORENJE!** Rukovanje električnim alatima može rezultirati odbacivanjem stranih predmeta u oči što opet može izazvati teška oštećenja očiju. Prije početka rukovanja električnim alatom uvijek nosite zatvorene zaštitne naočale ili zaštitne naočale s bočnim štitnicima, a prema potrebi i štitičnik za cijelo lice. Preporučujemo nošenje sigurnosne maske proizvođača Wide Vision preko naočala, ili nošenje standardnih zaštitnih naočala s bočnim štitnicima.

## SIGURNOSNE NAPOMENE

Na ovoj stranici slikovno su prikazani i objašnjeni sigurnosni simboli koji se mogu pojaviti na ovom proizvodu. Prije pokušaja sastavljanja i rukovanja s razumijevanjem pročitajte sve upute na stroju i pridržavajte ih se.

	Simbol upozorenja	Ukazuje na potencijalnu opasnost od tjelesnih ozljeda.
	Pročitajte korisnički priručnik.	Radi smanjenja opasnosti od ozljeda, prije korištenja ovog proizvoda korisnik treba s razumijevanjem pročitati ovaj korisnički priručnik.
	Nosite zaštitu za sluh i oči.	Kada rukujete ovim proizvodom, uvijek nosite zaštitu za sluh i zatvorene zaštitne naočale ili zaštitne naočale s bočnim štitnicima i štitičnik za cijelo lice.
	Duljina noža rubne kosilice	Duljina noža rubne kosilice
	Promatrače držite na udaljenosti	Udaljenost između stroja i promatrača mora biti najmanje 15 m.
	Smjer okretanja oštrice šišača trave	Ukazuje na smjer okretanja oštrice šišača.
	Odbačeni predmeti	Naslage šišača mogu utjecati na stabilno držanje. Budite vrlo oprezni kada hodate u području rada šišača trave.
	Nosite sigurnosnu obuću.	Kada koristite ovu opremu nosite neklizajuću sigurnosnu obuću.
	Rotirajuća rezna oštrica	Ne stavljajte ruke ili stopala u blizini ili ispod rotirajućih dijelova.
	Držite se na dovoljnoj udaljenosti od električnih vodova.	Radi izbjegavanja strujnog udara ne radite u opsegu od 15 m od nadzemnih električnih vodova. Doticaj sa strujnim vodovima ili korištenje u blizini strujnih vodova može prouzročiti teške ozljede ili strujni udar sa smrtnim ishodom.

	CE	Ovaj proizvod je u skladu s primjenjivim Direktivama EU.
	UKCA	Ovaj proizvod sukladan je važećim zakonima u UK.
	WEEE	Otpadni električni proizvodi ne smiju se odlagati s otpadom iz kućanstva. Odnosite ih u ovlaštenu centar za reciklažu.
	Buka	Zajamčena razina zvučne snage: emisija buke u okruženju u skladu je s Direktivom Europske unije.
V	Volt	Napon
mm	Milimetar	Duljina ili dimenzija
cm	Centimetar	Duljina ili dimenzija
kg	Kilogram	Masa
	Istosmjerna struja	Vrsta ili karakteristike struje

## OPĆA SIGURNOSNA UPOZORENJA ZA STROJ

**⚠ UPOZORENJE:** Pročitajte sva upozorenja, upute, ilustracije u vezi sigurnosti i tehničke podatke isporučene s ovim strojem. Zanemarivanje svih uputa navedenih u nastavku može rezultirati strujnim udarom, požarom i/ili teškim ozljedama.

## SAČUVAJTE SVA UPOZORENJA I SVE UPUTE ZA BUDUĆE POTREBE.

Pojam „stroj” u upozorenjima odnosi se na stroj s napajanjem iz električne mreže (s kabelom) ili na stroj s napajanjem iz baterije (bez kabela).

## SIGURNOST RADNOG PODRUČJA

- Radno područje održavajte čistim i dobro osvijetljenim. Pretrpana ili mračna područja izazivaju nesreće.
- Strojeve ne upotrebljavajte u eksplozivnim okruženjima, primjerice u prisutnosti zapaljivih tekućina, plinova ili prašine. Strojevi stvaraju iskre koje mogu zapaliti prašinu ili isparenja.
- Udaljite djecu i promatrače za vrijeme rada sa strojem. Ometanja mogu rezultirati gubitkom kontrole nad alatom.

## ELEKTRIČNA SIGURNOST

- Utikači stroja moraju odgovarati utičnicima. Nemojte nikada raditi preinake utikača. Utikače s adapterom nemojte koristiti s uzemljenim strojevima. Nepreinačeni utikači i odgovarajuće utičnice smanjit će rizik od električnog udara.
- Izbjegavajte kontakt tijela s uzemljenim površinama, kao što su slavine, radijatori, peći i hladnjaci. Postoji povećan rizik od strujnog udara ako je vaše tijelo uzemljeno.
- Ne upotrebljavajte stroj za vrijeme kiše i na mokrim mjestima. Ulazak vode u stroj može povećati rizik od električnog udara ili kvara koji mogu rezultirati tjelesnom ozljedom.
- Kabel nemojte upotrebljavati nepropisno. Kabel nemojte upotrebljavati za nošenje, povlačenje ili iskopčavanje stroja. Kabel držite podalje od topline, ulja, oštih rubova ili pokretnih dijelova. Oštećeni ili isprepleteni kabeli povećavaju rizik od strujnog udara.
- Kada strojem radite na otvorenom, upotrebljavajte produžni kabel prikladan za upotrebu na otvorenom. Upotrebom kabela prikladnog za upotrebu na otvorenom smanjuje se rizik od strujnog udara.
- Ako je rad sa strojem u vlažnom području neizbježan, upotrebljavajte napajanje s uređajem za zaštitu od dozemnog spoja (GFCI). Uporabom uređaja za zaštitu od dozemnog spoja smanjuje se rizik od električnog udara.

## OSOBNJA SIGURNOST

- Budite oprezni, gledajte što radite i vodite se načelima zdravog razuma kada radite sa strojem. Nemojte raditi sa strojem ako ste umorni ili pod utjecajem opojnih sredstava, alkohola ili lijekova. Trenutak nepažnje tijekom rada s uređajem može dovesti do teške tjelesne ozljede.
- Upotrebljavajte osobnu zaštitnu opremu. Uvijek nosite zaštitu za oči. Zaštitna oprema poput maske za zaštitu od prašine, protuklizne sigurnosne obuće, kacige ili zaštite za sluh upotrijebljena za prikladne uvjete smanjit će tjelesne ozljede.
- Spriječite nenamjerno pokretanje. Prije spajanja na izvor napajanja i/ili baterijski modul, podizanja ili nošenja stroja provjerite nalazi li se sklopka u isključenom položaju. Nošenje strojeva s prstom na sklopki ili priključivanje na napajanje strojeva koji imaju uključenu sklopku izaziva nesreće.
- Prije uključivanja stroja uklonite sve ključeve za podešavanje ili ključeve za stezanje. Ako se ključ za stezanje ili za podešavanje ostavi na rotacijskom dijelu stroja, to može rezultirati tjelesnim ozljedama.

- **Nemojte se naginjati preko alata. Cijelo vrijeme održavajte propisno držanje i ravnotežu.** To će omogućiti bolju kontrolu nad strojem u neočekivanim situacijama.
- **Obucite se prikladno. Ne nosite široku odjeću ili nakit. Kosu i odjeću držite dalje od pokretnih dijelova.** Široka odjeća, nakit ili duga kosa može se zahvatiti pokretnim dijelovima.
- **Ako su uređaji opremljeni priključkom za odvod i sakupljanje prašine, pobrinite se da se propisno spoje i upotrebljavaju.** Upotrebom sustava za sakupljanje prašine mogu se umanjiti opasnosti koje se odnose na prašinu.
- **Nemojte dopustiti da vas poznavanje stroja stečeno čestom upotrebom učini samodopadnim te da ignorirate sigurnosna načela za stroj.** Nepažljiv rad može rezultirati teškim ozljedama u djeliću sekunde.

#### UPOTREBA I NJEGA STROJA

- **Nemojte preopterećivati stroj. Koristite odgovarajući stroj za primjenu.** Propisan stroj bolje će i sigurnije obaviti zadatak brzinom za koju je konstruiran.
- **Ne upotrebljavajte stroj ako ga sklopkom ne možete uključiti i isključiti.** Svaki stroj koji ne možete sklopkom uključiti i isključiti je opasan i mora se popraviti.
- **Prije podešavanja, zamjene pribora ili skladištenja strojeva odvojite utikač od izvora napajanja i/ili uklonite baterijski modul, ako je odvojiv.** Takve preventivne sigurnosne mjere smanjuju rizik od slučajnog pokretanja stroja.
- **Neaktivan stroj čuvajte izvan dohvata djece i ne dopustite osobama koje nisu upoznate s uređajem ili ovim uputama da upravljaju strojem.** Strojevi su opasni u rukama neobučениh korisnika.
- **Održavajte strojeve i pribor. Provjerite jesu li pokretni dijelovi centrirani ili spojeni, ima li polomljenih dijelova i postoji li stanje koje može utjecati na rad stroja. Ako je stroj oštećen, popravite ga prije uporabe.** Mnoge nezgode su nastale upravo zbog slabog održavanja stroja.
- **Rezne strojeve održavajte oštirim i čistima.** Propisno održavani rezni strojevi s oštrim reznim bridovima manje su skloni zaglavljivanju i njima se lakše upravlja.
- **Stroj, pribor, strojne nastavke i sl., upotrebljavajte u skladu s ovim uputama, uzimajući u obzir radne uvjete i zadatak koji je potrebno obaviti.** Upotreba stroja za radnje za koje nije namijenjen može rezultirati opasnim situacijama.
- **Rukohvate i površinu rukohvata održavajte suhim, čistim i očišćenim od ulja i masti.** Skliske ručke i

površine rukohvata onemogućuju sigurno rukovanje i upravljanje strojem u neočekivanim situacijama.

#### KORIŠTENJE I NJEGA BATERIJSKOG STROJA

- **Punjenje obavljajte samo s punjačem kojeg je naveo proizvođač.** Punjač koji je prikladan za jedan tip baterijskog modula može izazvati rizik od požara ako ga se upotrebljava s drugim baterijskim modulom.
- **Strojeve upotrebljavajte samo s izričito propisanim baterijskim modulima.** Upotreba drugih baterijskih modula može izazvati rizik od ozljeda i požara.
- **Kad se baterijski modul ne upotrebljava, držite ga podalje od drugih metalnih predmeta poput spajalica za papir, kovanica, ključeva, čavala, vijaka ili drugih malih metalnih predmeta koji mogu međusobno spojiti kontakte.** Kratko spajanje baterijskih kontakata može prouzročiti opeklina ili požar.
- **U slučaju neprimjerene uporabe, baterija može izbaciti tekućinu; izbjegavajte kontakt. Ako slučajno dođe do doticaja, mjesta doticaja isperite vodom. Ako tekućina dođe u doticaj s očima, dodatno potražite pomoć liječnika.** Tekućina koju izbací baterija može prouzročiti nadražaj kože ili opeklina.
- **Ne upotrebljavajte baterijski modul ili stroj koji je oštećen ili preinačen.** Oštećene ili preinačene baterije mogu pokazati nepredvidivo ponašanje koje može rezultirati požarom, eksplozijom ili opasnošću od ozljeda!
- **Baterijski modul ili stroj ne izlažite vatri ili visokim temperaturama.** Izlaganje vatri ili temperaturi višoj od 130 °C može prouzročiti eksploziju.
- **Pridržavajte se svih uputa za punjenje, a baterijski modul ili stroj nemojte puniti izvan raspona temperature navedenog u uputama.** Nepropisno punjenje ili punjenje pri temperaturama izvan okvira određenog raspona može oštetiti bateriju i povećati opasnost od požara.

#### VAŽNE SIGURNOSNE UPUTE

**⚠ UPOZORENJE!** Kada koristite električne vrtné aparate potrebno je uvijek pridržavati se osnovnih mjera opreza kako bi se smanjio rizik od požara, strujnog udara i tjelesnih ozljeda, uključujući sljedeće:

#### POZORNO PROČITAJTE PRIJE UPORABE.

#### SAČUVAJTE ZA BUDUĆE POTREBE.

**⚠ OPASNOST!** Nemojte se pouzdati u izolaciju alata od strujnog udara. Radi smanjenja rizika od strujnog udara stroj nikada ne koristite u blizini žica ili kabela (struja i sl.) koji provode struju.

**⚠ OPREZ!** Tijekom uporabe nosite odgovarajuću osobnu zaštitu za sluh. U određenim okolnostima i trajanju uporabe buka koju stvara ovaj proizvod može pridonijeti gubitku sluha.

## Obuka

- Pozorno pročitajte upute. Upoznajte se s upravljačkim elementima i propisnom uporabom opreme.
- Nikada nemojte dopustiti da djeca ili osobe koje nisu pročitale ove upute koriste šišač trave. Lokalni propisi mogu ograničavati starosnu dob rukovatelja.
- Šišač trave nikada ne koristite kada se u blizini nalaze osobe, a posebno djeca ili kućni ljubimci.
- Imajte na umu da je rukovatelj ili korisnik odgovoran za nesreće ili opasnosti za druge osobe ili njihovu imovinu.

## Priprema

- Tijekom korištenja šišača trave uvijek nosite zaštitu za oči i uši, odgovarajuću obuću i duge hlače.
- Temeljito pregledajte površinu na kojoj je potrebno koristiti opremu i u cijelosti uklonite kamenje, štapove, žice, kosti i druge strane predmete.
- Prije korištenja uvijek vizualno pregledajte jesu li oštrice, vijak oštrice i sklop rezača istrošeni ili oštećeni. Zamijenite istrošene ili oštećene oštrice i vijke u kompletna kako biste održali ravnotežu.

## Rad

- Šišač trave koristite samo pri dnevnom svjetlu ili dobrom umjetnom osvjetljenju.
- Uvijek osigurajte dobro uporište na nagibima.
- Hodajte, nikada nemojte trčati.
- Budite vrlo oprezni kada šišač trave okrećete ili povlačite prema sebi.
- Uvjerite se da se oštrica zaustavila prije prelaska preko površina koje nisu trava i kada šišač trave prevozite na područje koje je potrebno urediti i natrag.
- Šišač trave nikada ne koristite s neispravnim štitnicima, ako štitnici nedostaju ili ako su neispravno postavljeni.
- Ne mijenjajte postavke regulatora broja okretaja motora ili motor nikada ne pogonite pri prevelikom broju okretaja.
- Pažljivo pokrenite prekidač na motoru u skladu s uputama i sa stopalima dobro odmaknutim od oštrice/a.
- Motor ne pokrećite kada promatrači stoje ispred oštrice/a.
- Ne stavljajte ruke ili stopala u blizini ili ispod rotirajućih dijelova.
- Motor uvijek isključite i odspojite od baterije:

- 1) Prije čišćenja prepreka;
- 2) Prije provjere, čišćenja ili rada na oštrici/ama;
- 3) Nakon udaranja o strani predmet: pregledajte je li/ su oštrica/e oštećena/e i obavite popravke prije ponovnog pokretanja i rukovanja šišačem trave;
- 4) Ako šišač trave počne neuobičajeno da vibrira (odmah provjerite).

- Zaustavite motor kada god ostavljate šišač trave;
- Komplet baterija nemojte puniti na kiši ili mokrim mjestima.
- Upotrebljavajte samo s baterijskim modulima i punjačima koji su navedeni na sl. A.
- Prije odlaganja uređaja na otpad komplet baterija potrebno je izvaditi iz uređaja.
- Bateriju je potrebno zbrinuti na siguran način.
- Ne odlažite bateriju u vatru. Čelije mogu eksplodirati. Za upute o mogućem posebnom odlaganju obratite se lokalnim nadležnim tijelima.
- Ne otvarajte i ne razdvajajte bateriju. Oslobođeni elektrolit je korozivan i može oštetiti oči ili kožu. U slučaju gutanja može biti otrovan.
- Budite oprezni pri rukovanju baterijama kako biste izbjegli kratko spajanje baterije s vodljivim materijalima, kao što su prsteni, narukvice i ključevi. Baterija ili provodnik mogu se pregrijati i prouzročiti opekline.
- Baterijske alate nije potrebno uključivati u električnu utičnicu, stoga su uvijek u radnom stanju. Imajte na umu moguće opasnosti čak i kada alat ne radi. Budite oprezni pri obavljanju radova održavanja ili servisiranja.
- Uređaj ne perite sa crijevom; izbjegavajte da voda dospje u motor i električne priključke

## Održavanje i skladištenje

- Sve matice, svornjak i vijke održavajte pritegnutima kako biste bili sigurni da je oprema u sigurnom radnom stanju.
- Zamijenite istrošene ili oštećene dijelove.
- Ne pokušavajte popravljati stroj osim u slučaju da ste kompetentni za takvu vrstu posla.
- Koristite samo zamjenske dijelove i pribor koje je preporučio proizvođač.
- Prije obavljanja radova održavanja ili čišćenja stroj odspojite od baterije.
- Redovito obavljajte pregled i održavanje stroja. Popravak stroja prepustite samo ovlaštenom osoblju za popravak.
- Kada ga ne koristite, stroj čuvajte izvan dohvata djece.

- Ako se pojave situacije koje nisu obuhvaćene ovim priručnikom, postupite oprezno i uz dobru procjenu. Za pomoć se obratite servisnom centru proizvođača EGO.
- Sačuvajte ove upute. Koristite upute često i koristite ih za upućivanje drugih osoba koje mogu koristiti ovaj alat. Ako ovaj alat nekom posudite, posudite i ove upute radi sprečavanja neispravnog korištenja proizvoda i mogućih ozljeda.

#### SAČUVAJTE OVE UPUTE.

**NAPOMENA: ZA DODATNE POSEBNE SIGURNOSNE PROPISE POGLEDAJTE KORISNIČKI PRIRUČNIK POGONSKE JEDINICE.**

### TEHNIČKI PODACI

Duljina oštrice	20 cm
Dubina šišanja trave	Do 75 mm
Masa	2,26 kg
Radna temperatura	-15°C - 40°C
Temperatura skladištenja	-20°C - 70°C
Izmjerena razina zvučne snage $L_{WA}$	92,4 dB(A) K=2,07 dB(A) (PH1400E)
	90,7 dB(A) K=1,46 dB(A) (PH1420E)
	90 dB(A) K=1,3 dB(A) (PHX1600)
Razina zvučnog tlaka kod uha rukovatelja $L_{PA}$	79,8 dB(A) K=3 dB(A) (PH1400E)
	81,2 dB(A) K=3 dB(A) (PH1420E)
	84 dB(A) K=3 dB(A) (PHX1600)
Zajamčena razina zvučne snage $L_{WA}$ (u skladu s Direktivom 2000/14/EZ)	95 dB(A)

Vibracija $a_h$	Prednji pomoćni rukohvat	1,2 m/s <sup>2</sup> K=1,5 m/s <sup>2</sup> (PH1400E)
		1,95 m/s <sup>2</sup> K=1,5 m/s <sup>2</sup> (PH1420E)
		1,6 m/s <sup>2</sup> K=1,5 m/s <sup>2</sup> (PHX1600)
	Stražnji rukohvat	2,2 m/s <sup>2</sup> K=1,5 m/s <sup>2</sup> (PH1400E)
		1,66 m/s <sup>2</sup> K=1,5 m/s <sup>2</sup> (PH1420E)
		1,53 m/s <sup>2</sup> K=1,5 m/s <sup>2</sup> (PHX1600)

- Gore navedeni parametri ispitani su i izmjereni za stroj opremljen pogonskom jedinicom PH1400E/PH1420E/PHX1600;
- Deklarirane ukupne vrijednosti vibracija izmjerene su u skladu sa standardnom metodom ispitivanja i mogu se koristiti za usporedbu jednog alata s drugim.
- Deklarirane ukupne vrijednosti vibracija mogu se koristiti i u preliminarnoj procjeni izloženosti.

**NAPOMENA:** emisija vibracija tijekom aktualnog korištenja električnog alata može se razlikovati od deklarirane vrijednosti u kojoj se alat koristi; Radi zaštite rukovatelja korisnik treba nositi rukavice i štitnike za uši u aktualnim uvjetima korištenja.

### SADRŽAJ PAKIRANJA

NAZIV DIJELA	KOLIČINA
Prklučak šišača trave	1
Inbus kluč	1
Višefunkcijski kluč	1
Rascjepka	2
Korisnički priručnik	1

HR

## Preporučena oštrica

NAZIV DIJELA	BROJ MODELA
Oštrica šišača trave	AEB0800

## OPIS

UPOZNAJTE SVOJ PRIKLJUČAK ŠIŠAČA TRAVE (sl. A)

1. Krajnja kapica
2. Osovina šišača trave
3. Štitnik oštrice
4. Oštrica
5. Gumb za podešavanje dubine
6. Vodeći kotač
7. Inbus ključ
8. Višefunkcijski ključ
9. Vodilica za podešavanje dubine
10. Preklop za zaštitu od naslaga
11. Rascjepka
12. Vijak za blokadu vodilice
13. Vodeća pločica

## SASTAVLJANJE

**⚠ UPOZORENJE!** Ako je bilo koji dio oštećen ili ako nedostaje, ne koristite ovaj proizvod dok ne zamijenite dijelove. Korištenje ovog proizvoda oštećenih dijelova ili dijelova koji nedostaju može rezultirati teškim tjelesnim ozljedama.

**⚠ UPOZORENJE!** Ne pokušavajte obavljati preinake na ovom proizvodu ili raditi pribor koji nije preporučen za uporabu s ovim šišačem trave. Sve takve izmjene ili preinake predstavljaju nepropisno korištenje i mogu rezultirati opasnim stanjima koja mogu dovesti do mogućih teških tjelesnih ozljeda.

**⚠ UPOZORENJE!** Kako biste spriječili slučajno pokretanje koje može prouzročiti teške tjelesne ozljede, baterijski modul uvijek uklonite iz stroja kada sastavljate dijelove. e budu usmjereni od električnog alata i rukovatelja.

**⚠ UPOZORENJE!** Pri postavljanju ili zamjeni štitnika nosite rukavice. Pazite na nož na štitniku i zaštitite ruke od posjeklina.

**⚠ UPOZORENJE!** Stroj ne upotrebljavajte bez dobro pričvršćenog štitnika. Štitnik mora uvijek biti na stroju radi zaštite korisnika! Kada je štitnik učvršćen, nemojte ga

skidati ili podešavati. Ako ga je potrebno zamijeniti, neka to obavi kvalificirani serviser!

## PRIKLJUČIVANJE PRIKLJUČKA ŠIŠAČA TRAVE NA POGONSKU JEDINICU

Ovaj priključak šišača trave predviđen je za korištenje s pogonskom jedinicom s litij-ionskom baterijom 56 V PH1400E/PH1420E/PHX1600 proizvođača EGO.

Pogledajte poglavlje "**POSTAVLJANJE PRIKLJUČKA NA POGONSKU JEDINICU**" u korisničkom priručniku pogonske jedinice PH1400E/PH1420E/PHX1600.

## RAD

**⚠ UPOZORENJE!** Nemojte dopustiti da vas poznavanje ovog proizvoda učini nepažljivim. Imajte na umu da je za nanošenje teških ozljeda dovoljan samo djelić sekunde nepažnje.

**⚠ UPOZORENJE!** Uvijek nosite zaštitu za oči i sluh. Nepostupanje u skladu s tim može rezultirati odbacivanjem predmeta u oči i drugim mogućim teškim ozljedama.

## PRIMJENE

Ovaj proizvod možete koristiti za svrhe navedene u nastavku:

- šišanje trave oko nogostupa, pločnika, cvjetnih lijeva i sličnih područja.

**NAPOMENA:** alat se smije koristiti samo za prethodno opisanu namjenu. Svaka druga uporaba smatra se nepropisnom uporabom.

## Prije svake uporabe provjerite oštećene/istrošene dijelove.

Provjerite oštricu, štitnik i prednji pomoćni rukohvat i zamijenite dijelove koji su napukli, deformirani, svinuti ili oštećeni na bilo koji način.

**⚠ UPOZORENJE!** Radi sprečavanja teških tjelesnih ozljeda, prije servisiranja, čišćenja, promjene priključaka ili uklanjanja materijala iz jedinice izvadite komplet baterija iz alata.

## KORIŠTENJE PRIKLJUČKA ŠIŠAČA TRAVE S POGONSKOM JEDINICOM

**⚠ UPOZORENJE!** Obucite se propisno kako biste smanjili rizik od ozljeda tijekom rukovanja alatom. Ne nosite široku odjeću ili nakit. Nosite zaštitu za oči i uši/ sluh. Nosite jake duge hlače, čizme i rukavice. Nemojte nositi kratke hlače ili sandale ili biti bosonogi. U prašnjavim



područjima nosite zaštitnu masku za lice ili masku za zaštitu od prašine.

**⚠ UPOZORENJE!** Iz radnog područja očistite sve prepreke i krute predmete.

Za siguran i bolji rad preko ramena stavite ramenu traku. Podesite ramenu traku u ugodan radni položaj.

Držite šišač trave desnom rukom na stražnjem rukohvatu, a lijevom rukom na prednjem pomoćnom rukohvatu. Tijekom rukovanja alatom rukohvate čvrsto primite objema rukama. Šišač trave potrebno je držati u ugodnom položaju sa stražnjim rukohvatom u visini kuka (sl. B).

**⚠ UPOZORENJE!** Ramena traka je i mehanizam za brzo otpuštanje u opasnim situacijama. U slučaju nužde ramenu traku odmah skinite s ramena, bez obzira na koji način.

### Šišač trave očistite nakon svake uporabe.

Za upute o čišćenju pogledajte poglavlje ODRŽAVANJE.

### PODEŠAVANJE DUBINE REZA

1. Zaustavite motor i izvadite komplet baterija.
2. Otpustite gumb za podešavanje dubine u smjeru strelice za deblokadu označene na gumbu (sl. C).
3. Za povećavanje dubine reza pomaknite vodeći kotač duž vodilice za podešavanje dubine prema gore ili za smanjivanje dubine prema dolje (sl. D).
4. Vodeći kotač podesite tako da oštrica skoro dotiče tlo ili lomi površinu tla ne više od 5 mm (sl. E), a zatim ga dobro pritegnite.
5. Stojeći u normalnom radnom položaju ponovno provjerite dubinu reza i prema potrebi je korigirajte.

### POKRETANJE/ZAUSTAVLJANJE ALATA

Pogledajte poglavlje "POKRETANJE/ZAUSTAVLJANJE POGONSKE JEDINICE" u korisničkom priručniku pogonske jedinice PH1400E/PH1420E/PHX1600.

### SAVJETI ZA RAD

- Pogonsku jedinicu držite i vodite tako da oštrica bude u okomitom položaju. Za izravnjanje oštrice s rubom lijehe koristite liniju za označavanje (sl. F).
- Ne radite brže od normalne brzine koraka. Ako oštrica počne zastajati, režete prebrzo; usporite korak.
- Prilikom rezanja uvijek se krećite prema naprijed i šišač trave pomičite prema naprijed. Šišač trave ne povlačite prema sebi.
- Ne potiskujte oštricu u tlo. Lagani kontakt oštrice s rubom nogostupa, pločnika i sl. prihvatljiv je i neće oštetiti šišač trave.
- Najbolji rezultati dobivaju se kada je trava suha. Izbjegavajte rad u područjima s vlažnim tlom ili vlažnom travom jer štitnik oštrice u suprotnom se može začeptiti,

što može rezultirati neravnim rubom. Ako se štitnik oštrice začepti, zaustavite motor, izvadite komplet baterija i uklonite nakupine sa štitnika oštrice.

## ODRŽAVANJE

**⚠ UPOZORENJE!** Prije pregleda, čišćenja ili servisiranja jedinice, zaustavite motor, pričekajte da se svi pokretni dijelovi zaustave i izvadite komplet baterija. Zanimarivanje ovih uputa može rezultirati teškim tjelesnim ozljedama ili materijalnim štetama.

**⚠ UPOZORENJE!** Pri servisiranju koristite samo identične zamjenske dijelove. Korištenje drugih dijelova može izazvati opasnost ili prouzročiti oštećenje proizvoda. Radi osiguranja sigurnosti i pouzdanosti, sve popravke drukčije od navedenih u ovim uputama za održavanje treba obavljati kvalificirani servisni tehničar.

### OPĆE ODRŽAVANJE

Pri čišćenju plastičnih dijelova izbjegavajte koristiti otapala. Većina plastika podložne su oštećenju od različitih vrsta komercijalnih otapala i mogu se oštetiti u slučaju njihovog korištenja. Za uklanjanje nečistoće, prašine, ulja, masti i sl. koristite čiste krpe.

### ČIŠĆENJE JEDINICE

- Nakon svake uporabe s oštrice i štitnika mekanom četkom uklonite naslage i ostatke tla ili trave. Površinu šišača trave obrišite čistom krpom navlaženom u blagoj sapunici.
- Za čišćenje ventilacijskih otvora na stražnjem kućištu koristite malu četku ili mali usisavač.

**NAPOMENA:** za čišćenje plastičnog kućišta ili rukohvata ne koristite jake deterdžente jer mogu ih oštetiti neka aromatična ulja, kao što su borovo i limunovo ulje.

### ZAMJENA OŠTRICE

**⚠ UPOZORENJE!** Ne pokušavajte ravnati ili zavarijati savijenu ili napuknutu oštricu jer može puknuti. Oštricu je potrebno zamijeniti. Preporučujemo oštricu zamijeniti samo oštricom šišača trave proizvođača EGO. Pogledajte poglavlje "Preporučena oštrica".

**NAPOMENA:** oštricu zamijenite ako njezina duljina više nije dostatna za održavanje potrebnog razmaka od tla i potrebnu dubinu reza.

**⚠ UPOZORENJE!** Pri obavljanju radova održavanja na oštrici šišača trave ruke uvijek zaštitite nošenjem čvrstih rukavica ili omotavanjem oštrice krpama ili drugim materijalima.

## Uklanjanje oštrice

1. Zaustavite motor i izvadite komplet baterija.
2. Položite šišač trave na stražnju stranu tako da oštrica bude okrenuta prema gore.
3. Nosite zaštitne rukavice. Za uklanjanje rascjepke iz vratila motora koristite šiljasta klijesta (nisu u sadržaju isporuke) (sl. G).
4. Oštricu okrećite tako da uravnate utor u prirubnici s provrtom u kućištu prijenosnika (sl. G).

Opis dijelova na sl. G pogledajte u nastavku:

G-1	Rascjepka
G-2	Unutarnja prirubnica
G-3	Kućiče prijenosnika

5. Radi stabiliziranja okretanja oštrice u uravnane provrte utaknite isporučeni inbus ključ. Za otpuštanje matice **U SMJERU KRETANJA KAZALJKI NA SATU** koristite isporučeni višefunkcijski ključ (sl. H).
6. S vratila motora uklonite maticu, vanjsku prirubnicu, oštricu i unutarnju prirubnicu (sl. I). Pregledajte ih zamijenite ako su istrošeni.

Opis dijelova na sl. I pogledajte u nastavku:

I-1	Vratilo motora	I-5	Oštrica
I-2	Unutarnja prirubnica	I-6	Vanjska prirubnica
I-3	Utor u unutarnjoj prirubnici	I-7	Matica
I-4	Izbočina na unutarnjoj prirubnici	I-8	Rascjepka

## Postavljanje oštrice

1. Stavite unutarnju prirubnicu na vratilo motora izbočinom okrenutom prema van (sl. I).
2. Na unutarnju prirubnicu postavite novu oštricu i uvjerite se da je dobro postavljena u svoje ležište (sl. J).
3. Na vratilo postavite vanjsku prirubnicu i maticu i rukom pritegnite maticu u **SMJERU SUPROTNOM SMJERU KRETANJA KAZALJKI NA SATU**.
4. Za stabiliziranje oštrice radi dobrog pritezanja matice u **SMJERU SUPROTNOM SMJERU KRETANJA KAZALJKI NA SATU**, slijedite gore navedene korake 4 i 5 u odlomku "Uklanjanje oštrice".
5. U provrt na vratilu motora umetnite novu isporučenu rascjepku. Šiljatim klijestima (nisu u sadržaju isporuke) savijte obje nožice rascjepke u suprotnim smjerovima (sl. G).

## ZAMJENA VODEĆEG KOTAČA

1. Zaustavite motor i izvadite komplet baterija.
2. Položite šišač trave na stražnju stranu tako da vodeći kotač bude okrenut prema gore.
3. Otpustite gumb za podešavanje dubine u smjeru strelice za blokadu označene na gumbu i uklonite ga.
4. Uklonite opružnu podlošku, ravnu podlošku 1, vodeći kotač, čahuru i ravnu podlošku 2 s tijela vijka (sl. K). Pregledajte ih zamijenite ako su istrošeni.
5. Najprije stavite tijelo vijka kroz vodilicu za podešavanje dubine, a zatim stavite ravnu podlošku 2, čahuru i novi kotač i na tijelo vijka stavite ravnu podlošku 1, opružnu podlošku i gumb za podešavanje dubine slijedom prikazanim na sl. K.

Opis dijelova na sl. K pogledajte u nastavku:

K-1	Gumb za podešavanje dubine	K-5	Čahura
K-2	Opružna podloška	K-6	Ravna podloška 2
K-3	Ravna podloška 1	K-7	Tijelo vijka
K-4	Vodeći kotač	K-8	Vodilica za podešavanje dubine

**NAPOMENA:** vodeći kotač potrebno je postaviti ravnim rebriima okrenutim prema unutra (sl. L).

Opis dijelova na sl. L pogledajte u nastavku:

L-1	Vijci	L-3	Preklop za zaštitu od naslaga
L-2	Ravno rebro	L-4	Pričvrсна ploča

6. Pritegnite gumb za podešavanje dubine.

## ZAMJENA PREKLOPA ZA ZAŠTITU OD NASLAGA

1. Zaustavite motor i izvadite komplet baterija.
2. Za otpuštanje dvaju vijaka koristite isporučeni inbus ključ.
3. Uklonite vijke, pričvrсну ploču i istrošeni preklop za zaštitu od naslaga.
4. Stavite novi preklop za zaštitu od naslaga i pričvrstite ga s pričvrснуm pločom i dva vijka.

## PROVJERA I ZAMJENA ŠTITNIKA OD HABANJA/ VODEĆE PLOČE (sl. M)

Prije pokretanja električnog alata provjerite jesu li štitnik od habanja i vodeća ploča oštećeni. Štitnik od habanja potrebno je zamijeniti čim kućište prijenosnika postane vidljivo.

**NAPOMENA:** kućište prijenosnika može se teško oštetiti ako se štitičnik od habanja ne zamijeni čim kućište prijenosnika postane vidljivo.

1. Zaustavite motor i izvadite komplet baterija.
2. Nosite zaštitne rukavice. Prema potrebi okrenite oštricu kako biste oslobodili dva vijaka.
3. Za otpuštanje i uklanjanje dvaju vijaka koristite isporučeni inbus ključ.

**NAPOMENA:** ako trebate zamijeniti samo vodeću ploču, otpustite i uklonite samo vijak 1.

4. Zamijenite izobličeni ili istrošeni štitičnik od habanja/ izobličenu ili istrošenu vodeću ploču.
5. Novi štitičnik od habanja i vodeću ploču montirajte na kućište prijenosnika i pritegnite ih s dva vijaka.

Opis dijelova na sl. M pogledajte u nastavku:

M-1	Vijak 1	M-4	Štitičnik od habanja
M-2	Vodeća ploča	M-5	Montažni provrti
M-3	Vijak 2	M-6	Kućište prijenosnika

### UKLANJANJE VODEĆE PLOČE

Ako imate iskustva u radu s ovim tipom šišača trave ili ako smatrate da je vodeća ploča zapreka u radu, možete je ukloniti.

1. Otpustite i uklonite vijak 1.
2. Uklonite vodeću ploču.
3. Vratite i pritegnite vijak 1.

### PODMAZIVANJE PRIJENOSNIKA

Prijenosnike u kućištu potrebno je povremeno podmazivati mašću za prijenosnike. Razinu masti u kućištu prijenosnika provjeravajte svakih 50 radnih sati uklanjanjem brtvenog vijka na strani kućišta.

Ako se na bočnim stranama prijenosnika ne vidi mast, za punjenje s mašću za prijenosnike do 3/4 zapremine slijedite korake u nastavku.

Prijenosnik nemojte puniti u cijelosti.

1. Šišač trave stavite u okomit položaj tako da brtveni vijak bude okrenut prema gore (sl. N).
2. Za otpuštanje i uklanjanje brtvenog vijka koristite isporučeni višefunkcijski ključ. Za ubrizgavanje masti kroz otvor vijka koristite brizgaljku za mast (nije u sadržaju isporuke); ne prekoračujte 3/4 zapremine.
3. Brtveni vijak pritegnite nakon ubrizgavanja.

### SKLADIŠTENJE JEDINICE

- Izvadite komplet baterija iz šišača.
- Prije skladištenja temeljito očistite alat.
- Ako se priključak šišača trave uklanja s pogonske jedinice i zasebno skladišti, na osovinu priključka stavite krajnju kapicu kako biste izbjegli da nečistoća dospjeje u spojku.
- Jedinicu skladištite na suhom, dobro prozračenom mjestu koje je moguće zaključati ili koje je na visini izvan dohvata djece. Jedinicu nemojte skladištiti na gnojivima, benzinu ili drugim kemikalijama ili u njihovoj blizini.

### Zaštita okoliša



Električnu opremu, iskorištenu bateriju i punjač ne odlažite u otpad iz kućanstva! Ovaj proizvod odnesite u ovlaštenu centar za reciklažu i time omogućite odvojeno sakupljanje. Električne strojeve potrebno je vratiti u ekološki prihvatljiv pogon za reciklažu.

## OTKLANJANJE POGREŠKI

PROBLEM	UZROK	RJEŠENJE
Motor se ne pokreće.	<ul style="list-style-type: none"> <li>■ Komplet baterija nije pričvršćen na pogonsku jedinicu.</li> <li>■ Nema električnog kontakta između pogonske jedinice i kompleta baterija.</li> <li>■ Komplet baterija je ispražnjen.</li> <li>■ Gumb za deblokadu i okidač ne pritišću se istodobno.</li> </ul>	<ul style="list-style-type: none"> <li>■ Pričvrstite komplet baterija na pogonsku jedinicu.</li> <li>■ Uklonite bateriju, provjerite kontakte i ponovo stavite komplet baterija da ulegne.</li> <li>■ Napunite komplet baterija s punjačima proizvođača EGO koji su navedeni u ovom priručniku.</li> <li>■ Pritisnite gumb za blokadu i držite ga pritisnutim, a zatim pritisnite okidač kako biste uključili pogonsku jedinicu.</li> </ul>
Pogonska jedinica zaustavlja se tijekom rada.	<ul style="list-style-type: none"> <li>■ Motor je preopterećen.</li> <li>■ Komplet baterija ili pogonska jedinica je previše vruća/a.</li> <li>■ Komplet baterija odspojen je od alata.</li> <li>■ Komplet baterija je ispražnjen.</li> </ul>	<ul style="list-style-type: none"> <li>■ Motor će se povratiti po uklanjanju opterećenja. Za kontinuirani rad smanjite opterećenje pogonske jedinice.</li> <li>■ Pričekajte da se komplet baterija ili pogonska jedinica ohladi na temperaturu ispod 67°C.</li> <li>■ Ponovno stavite komplet baterija.</li> <li>■ Napunite komplet baterija s punjačima proizvođača EGO koji su navedeni u ovom priručniku.</li> </ul>
Neravan rub	<ul style="list-style-type: none"> <li>■ Pokošena trava ili tlo je previše mokra/o.</li> <li>■ Štitnik oštrice je začepljen.</li> </ul>	<ul style="list-style-type: none"> <li>■ Šišač trave izbjegavajte koristiti u područjima s mokrim tlom ili mokrom travom.</li> <li>■ Zaustavite motor, izvadite komplet baterija i uklonite nakupine sa štitnika oštrice.</li> </ul>

## JAMSTVO

### JAMSTVENA POLITIKA PROIZVOĐAČA EGO

HR

Za cjelokupne uvjete jamstvene politike proizvođača EGO posjetite internetsku stranicu [egopowerplus.eu](http://egopowerplus.eu).



## სრულად გაეცანით ინსტრუქციას!



**გაეცანით მომხმარებლის ინსტრუქციას**

**▲ გაფრთხილება:** ხელსაწყო უსაფრთხოდ და გამართულად მუშაობისთვის საჭიროა მისი ყველა შეკეთება და ნაწილის შეცვლა შესრულდეს კვალიფიციური სერვისის ტექნიკოსის მიერ.

## უსაფრთხოების წესის სიმბოლოები

უსაფრთხოების წესის სიმბოლოების მიზანია მიაქციოთ ყურადღება შესაძლო საფრთხეებს. ყურადღებით გაეცანით და შეისწავლეთ უსაფრთხოების წესის სიმბოლოები და მათი შესაბამისი განმარტებები. უსაფრთხოების წესის სიმბოლოების მინიშნებები თავისთავად არ ანეიტრალებს რაიმე საფრთხის არსებობის რისკს. მათ მიერ მოწოდებული ინსტრუქციები და გაფრთხილებები არ არიან შემთხვევის თავიდან აცილების სწორი პროცედურის შემცველებები.

**▲ გაფრთხილება:** ხელსაწყო გამოყენებამდე დაწვრილებით გაეცანით და შეისწავლეთ ყველა უსაფრთხოების წესი მომხმარებლის ამ ინსტრუქციაში, მათ შორის ყველა უსაფრთხოების წესის სიმბოლო როგორცაა „საშიშროება“, „გაფრთხილება“ და „ყურადღება“. ქვემოთ ჩამოთვლილი ყველა ინსტრუქციის უგულვებელყოფამ შესაძლოა გამოიწვიოს ელექტრული შოკი, ხანძარი და/ან მოგაყენოთ სერიოზული პირადი ზიანი.

## სიმბოლოების მნიშვნელობა

**▲ უსაფრთხოების შეტყობინების სიმბოლო:** აღნიშნავს - „საშიშროება“, „გაფრთხილება“ ან „ყურადღება“. შესაძლოა

გამოყენებულ იქნას სხვა სიმბოლოებთან ან პიქტოგრამებთან ერთად.



**▲ გაფრთხილება:** ელექტრული ხელსაწყო გამოყენებისას შესაძლოა უცხო სხეულის თვალის მიდამოში მოხვედრა, რამაც შესაძლოა გამოიწვიოს თვალის მნიშვნელოვანი დაზიანება. ელექტრული ხელსაწყო გამოყენებამდე აუცილებლად მოირგეთ უსაფრთხოების თვალსაფარი ან სათვალე მყარი თვალის დამცავებით და მთლიანი სახის ეკრანით. ჩვენ რეკომენდაციას ვუწევთ ფართო ხედვის არის მქონე უსაფრთხოების ნიღბს სათვალეებთან ერთად ან სტანდარტულ გვერდითა ეკრანების მქონე უსაფრთხოების სათვალეებს.

## უსაფრთხოების წესის ინსტრუქცია

ეს გვერდი აჩვენებს და აღწერს იმ უსაფრთხოების წესის სიმბოლოებს, რომლებიც შესაძლოა აღბეჭდილია მოცემულ პროდუქტზე. წაკითხეთ, შეისწავლეთ და მიყევით ხელსაწყო ყველა ინსტრუქციას მის აწყობამდე და ჩართვამდე.

	უსაფრთხოების ნიშანი	აღნიშნავს შესაძლო პირადი ზიანის საფრთხეს.
	გაეცანით მომხმარებლის ინსტრუქციას	დაზიანების რისკის შესამცირებლად მომხმარებელმა უნდა წაკითხოს და გაეცნოს ხელსაწყო მუშაობის ინსტრუქციას მის გამოყენებამდე.
	გაიკეთეთ სმენის და მხედველობის დამცავი საშუალება	ყოველთვის მოირგეთ სმენის დამცავი, უსაფრთხოების თვალსაფარი ან გვერდითა ეკრანების მქონე უსაფრთხოების სათვალე და მთლიანი სახის ეკრანი ხელსაწყოთი სარგებლობისას.

KA

	კიდის მკრეჭავის დანის სიგრძე	კიდის მკრეჭავის დანის სიგრძე
	მოარიდ-ეთ ფეხები	ხელსაწყოსა და სხვა პირებს შორის დისტანცია უნდა იყოს მინიმუმ 15 მ
	კიდის მკრეჭავის დანის ბრუნვის მიმართულება	აღნიშნავს მკრეჭავის დანის ბრუნვის მიმართულებას.
	გამოტყორცნილი საგნები	კიდის მკრეჭავის მიერ მოჭრილმა ნარჩენებმა შესაძლოა შევიწილონ ხელი ბალანსირებაში. მკრეჭავის მუშაობის არეში სიარულის დროს გამოიჩინეთ განსაკუთრებული სიფრთხილე.
	ჩაიცვით უსაფრთხოების დამცავი ფეხსაცმელი	ჩაიცვით მოცურების საწინააღმდეგო ფეხსაცმელი ხელსაწყოს გამოყენებისას.
	მზრუნავი საჭრელი დანა	არ მოათავსოთ ხელები ან ფეხები მზრუნავი ნაწილების ახლოს ან ქვეშ.

	დაიჭირეთ საკმარისი დისტანცია ელექტრული გადამცემი ხაზებისგან	ელექტრული დენის დარტყმის ასარიდებლად არ ამუშაოთ ხელსაწყო 15 მ-ის მახლობლობაში ჰაერში გაჭიმულ დენის სადენებთან. ხელსაწყოს გამოყენებისას მისმა დენის გადამცემ ხაზებთან შეხებამ შესაძლოა გამოიწვიოს სერიოზული ზიანი ან ფატალური ელექტრული შოკი.
	CE	ხელსაწყო შეესაბამება ევროკავშირის მიერ წამოყენებულ რეგულაციებს.
	გსცო	ეს პროდუქტი შეესაბამება დიდი ბრიტანეთის მოქმედ კანონმდებლობას.
	WEEE	ელექტრული ხელსაწყოების უტილიზაცია არ უნდა მოხდეს საყოფაცხოვრებო ნარჩენებთან ერთად. წაიღეთ ხელსაწყო ავტორიზირებულ ნარჩენების გადამამუშავებელთან.
	ხმაური	გარანტირებული ხმის სიმძლავრის დონე. გარემოში ხმაურის გავრცელების დონე ევროკავშირის რეგულაციების შესატყვისია.
V	ვოლტი	ძაბვა
mm	მილიმეტრი	სიგრძე ან ზომა
cm	სანტიმეტრი	სიგრძე ან ზომა
kg	კილოგრამი	წონა
	მუდმივი დენი	დენის ტიპი ან სახე

**KA**

### ზოგადი გაფრთხილებები უსაფრთხოების შესახებ

**▲ გაფრთხილება!** გაეცანით ამ მოწყობილობასთან დაკავშირებულ უსაფრთხოების ყველა მითითებას, ინსტრუქციას, ილუსტრაციას და სპეციფიკაციას. ქვემოთ ჩამოთვლილი ყველა ინსტრუქციის უგულვებელყოფამ შესაძლოა გამოიწვიოს ელექტრო შოკი, ხანძარი და/ან მოგაყენოთ სერიოზული ზიანი.

### შეინახეთ ყველა გაფრთხილება და ინსტრუქცია სამომავლოდ გამოყენებისთვის.

ტერმინი „მოწყობილობა“ უსაფრთხოების ინსტრუქციაში შეესაბამება ქსელიდან (სადენით) ან აკუმულატორით (უსადენო) მიღებულ დენზე მომუშავე მოწყობილობას.

### სამუშაო სივრცის უსაფრთხოება

- დაიცავით სამუშაო სივრცის სისუფთავე და იქონიეთ კარგი განათება. ჩახერგილი ან ბნელი სამუშაო სივრცე იწვევს ინციდენტებს.
- არ ამუშაოთ მოწყობილობა ფეთქებადი საშუალებების არსებობისას, როგორცაა აალებადი სითხეები, აირები ან მტვერი. მოწყობილობა წარმოქმნის ნაპერწკალს, რომელმაც შესაძლოა აანთოს მტვერი ან აირი.
- ელექტრო ხელსაწყოთ სარგებლობისას მთავრად მას ზავშევი და სხვა პირები. ყურადღების გაფანტვას შეუძლია გამოიწვიოს მოწყობილობაზე კონტროლის დაკარგვა.

### ელექტრო უსაფრთხოება

- მოწყობილობის დენის ჩარგალი უნდა ერგებოდეს შტეფსელის როზეტს. არასოდეს გაუკეთოთ მოწყობილობის დენის ჩანგალს მოდიფიცირება. არ გამოიყენოთ ადაპტორები ისეთი ხელსაწყოების დენის ჩანგალზე, რომელსაც აქვს დამიწება. არსებული დენის ჩანგალი და მისი შესაბამისი შტეფსელის არსებობა ამცირებს ელექტრული შოკის რისკს.
- მოერიდეთ სხეულით დამიწებულ საგნების ზედაპირებთან კონტაქტს, როგორცაა მიწები, რადიატორები, ქურები და მაცივრები. ელექტრული

- შოკის მიღების რისკი იზრდება თუ თქვენი სხეული დამიწებულია.
  - არ გამოიყენოთ ხელსაწყო წვიმაში ან სველ პირობებში. ხელსაწყოში წყლის შესვლამ შეიძლება გაზარდოს ელექტროშოკის ან გაუმართაობის რისკი, რამაც შეიძლება გამოიწვიოს პირადი ზიანი.
  - არ დააზიანოთ დენის სადენი. არასოდეს გამოიყენოთ სადენი ხელსაწყოთ სატარებლად, მოსაქაჩად ან შტეფსელიდან ამოსართველად. დაიცავით დენის სადენი სიმშრევისაგან, ზეთისაგან, მჭრელი და მოძრავი საგნებისაგან. დაზიანებული ან გადახლართული დენის სადენი ზრდის ელექტრო შოკის რისკს.
  - მოწყობილობის გარეთ სარგებლობისთვის გამოიყენეთ დამაგრებელი, რომელიც ვარგისია გარეთ მუშაობისთვის. გარეთ მუშაობისთვის შესაბამისი ელექტრო სადენის გამოყენება ამცირებს ელექტრული შოკის რისკს.
  - თუ მოწყობილობის ნესტიან გარემოში მუშაობა გარდაუვალია, გამოიყენეთ დამიწებაზე დამოკლებისას წრდის ამორთვის დაცვის მქონე (GFCI) კვების წყარო. GFCI-ის გამოყენება ამცირებს ელექტრული შოკის რისკს.
- პირადი უსაფრთხოება**
- მოწყობილობის გამოყენებისას იცავით ფეხი ზღად, იმოქმედეთ დაცვივებით და სალი აზრის გათვალისწინებით. არ გამოიყენოთ მოწყობილობა როდესაც ხარტ დაღლილი, ან ალკოჰოლის, მედიკამენტების ან ნარკოტიკების ზემოქმედების ქვეშ. მოწყობილობით სარგებლობისას მყისიერმა უყურადღებობამ შეიძლება მოგაყენოთ სერიოზული პირადი ზიანი.
  - გამოიყენეთ პერსონალური დამცავი აღჭურვილობა. ყოველთვის გაიკეთეთ თვალების დამცავი. შესაბამის სამუშაო პირობებში დამცავი საშუალებების გამოყენება, როგორცაა მტვრის საწინააღმდეგო ნიღაბი, მოცურების საწინააღმდეგო ფხსაცმელი, მყარი ჩაფხუტი ან სმენის დამცავი, ამცირებს სამუშაო ტრავმებს.
  - მოწყობილობის დაუფრეგავი ჩართვის ადკვეთა. დაწმუნდით, რომ ჩამართველი არის გამორთულ

KA

მდგომარეობაში მოწყობილობის დენში და/ან აკუმულატორთან შეერთებამდე, ხელსაწყოს მაღლა აწევამდე ან ტარებამდე. მოწყობილობის ტარება ჩამრთველის ღილაკზე დადებული თითით, რომელსაც გააქტიურებული აქვს ჩართვის ღილაკი, განაპირობებს უბედურ შემთხვევას.

- მოხსენით ნებისმიერი მიმაგრებული ატრიბუტი ან ქანჩის გასაღები მოწყობილობის ჩართვამდე. მოწყობილობის მბრუნავ ნაწილზე დამაგრებულმა ქანჩის გასაღებმა ან სხვა ატრიბუტმა შესაძლოა მოგაყენოთ სხეულის დაზიანება.
- ზედმეტად არ გადაიხაროთ. ყოველთვის დაიცავით ბალანსი და მყარად იდევით ფეხზე. ეს გაძლიერებს საშუალებას, მოახდინოთ მოწყობილობის უკეთესი კონტროლი მოულოდნელ სიტუაციებში.
- ჩაიცვით შესაბამისად. არ ჩაიცვით განიერი, ფრიალა ტანსაცმელი და არ გაიკეთოთ ძვირფასეულობა. მოარიდეთ თმა და ტანსაცმელი მოძრავ ნაწილებს. თავისუფალი ტანსაცმელი, სამკაულები ან გრძელი თმა შესაძლოა ჩაითრიოს მოძრავმა ნაწილებმა.
- თუ არსებობს მტკრის ან ნარჩენების შემაკავშირებელი მოწყობილობები და შემგროვებელი საშუალებები, დარწმუნდით, რომ ისინი სწორადაა შეერთებული და გამოყენებული. მტკრისთვის შეგროვებისთვის განკუთვნილი საშუალებების გამოყენებამ შესაძლოა შეამციროს მასთან დაკავშირებული საფრთხეები.
- მსგავს მოწყობილობებთან ხშირი მუშაობის დროს არ გათამამდეთ და არ უგულვებელყოთ ხელსაწყოს უსაფრთხოების პრინციპების დაცვა. გაუფრთხოებელმა საქციელმა წამის მეთაღმდეგ კი შესაძლოა მოგიტანოთ სერიოზული ზიანი.

მოწყობილობის გამოყენება და მოვლა

- არ დაატანოთ ძალა მოწყობილობას. გამოიყენეთ მართებული მოწყობილობა თქვენი მიზნებისთვის. მართებული მოწყობილობა უკეთ და უფრო უსაფრთხოდ გააკეთებს იმ საქმეს, რომლისთვისაც განკუთვნილია.
- არ გამოიყენოთ მოწყობილობა, თუ მისი ჩართვა და გამორთვა ჩამრთველით არ ხდება. მოწყობილობა, რომელიც ვერ

კონტროლდება ჩამრთველით, სახიფათოა და საჭიროებს შეკეთებას.

- გათიშეთ დენის ჩანგალი შტექსელიდან და/ან მოხსენით აკუმულატორის ბლოკი მოწყობილობას, თუ ეს შესაძლებელია, ნებისმიერი რეგულირებისას, ნაწილის ცვლილებისას ან ხელსაწყოს შენახვამდე. მსგავსი პრევენციული უსაფრთხოების ზომები ამცირებს მოწყობილობის უცაბედი ჩართვის რისკს.
  - გამორთული მოწყობილობები შეინახეთ ზავებების მიუწვდომელ ადგილას და არ მისცეთ მოწყობილობის გამოყენების უფლება მისი სარგებლობის არმცოდნე ან მის ინსტრუქციამ ჩაუხედავ პირებს. მოწყობილობა გამოუცდელი პირების ხელში სახიფათოა.
  - გაუფრთხილდით მოწყობილობებს და მის ნაწილებს. შეამოწმეთ მოძრავი და შემაკავშირებელი ნაწილების ურთიერთწანაცვლება, ნაწილების დაზიანება და სხვა მდგომარეობა, რომელზეც შეიძლება გავლენა იქონიოს მოწყობილობის მუშაობაზე. დაზიანების შემთხვევაში, გამოყენებამდე შეაკეთეთ მოწყობილობა. ბევრი ინციდენტი გამოწვეულია ცუდად მოვლილი მოწყობილობის გამო.
  - სათიბი მოწყობილობები იქონიეთ მოვლის და სუფთა მდგომარეობაში. სათანადოდ მოვლილი სათიბი მოწყობილობები ბასრი პირით ნაკლებად პრობლემურია და მათი კონტროლიც უფრო ადვილია.
  - გამოიყენეთ ეს მოწყობილობა, მისი ნაწილები, დამჭერები და ა.შ. ინსტრუქციების შესაბამისად, სამუშაო გარემოს და შესასრულებელი სამუშაოს ტიპის გათვალისწინებით. მოწყობილობის არადანიშნულებისამებრ გამოყენებამ შესაძლოა შექმნას სახიფათო სიტუაცია.
  - სახელურები და ხელის ჩასაჭიდი სხვა ზედაპირები იქონიეთ მწრალ და სუფთა მდგომარეობაში, მათ შორის ცხიმისა და ზეთის გარეშე. სრიალა სახელურები და ხელის ჩასაჭიდი ზედაპირები არ იძლევა მოწყობილობის უსაფრთხოდ გამოყენების და კონტროლის საშუალებას მოულოდნელ სიტუაციებში.
- აკუმულატორის გამოყენება და მოვლა
- დატენით მხოლოდ მწარმოებლის მიერ მითითებული დამტენი მოწყობილობით.

KA



დამტენმა მოწყობილობამ, რომელიც თავსებადია ერთი ტიპის აკუმულატორის ბლოკთან, შესაძლოა წარმოშვას ხანძრის გაჩენის რისკი სხვა აკუმულატორზე გამოყენებისას.

- გამოიყენეთ მოწყობილობა მხოლოდ სპეციალურად მისთვის განკუთვნილი აკუმულატორის ბლოკებით. სხვა აკუმულატორის ბლოკების გამოყენებამ შესაძლოა წარმოშვას ფიზიკური დაზიანების ან ხანძრის რისკი.
- როდესაც აკუმულატორის ბლოკს არ იყენებთ, მოაცილეთ იგი ლითონის საგნებს, როგორცაა ქაღალდის სამაგრები, მონეტა, გასაღები, ლურსმანი, ხრახნი ან სხვა მცირე ზომის ლითონის საგნები, რომელთაც შეუძლიათ მოახდინონ შეერთება ერთი ტერმინალიდან მეორეში. აკუმულატორის კონტაქტების დამოკლებამ შესაძლოა გამოიწვიოს დამწვრობა ან ხანძარი.
- არასწორი მოპყრობის შემთხვევაში, სითხემ შესაძლოა გამოჟონოს აკუმულატორიდან; მოერიდეთ მასთან შეხებას. თუ შემთხვევით შეეხებით, ჩამოიბანეთ წყლით. თუ სითხე მოგხვდათ თვალებში, მიმართეთ ექიმს. აკუმულატორიდან გამოიწვიოს სითხემ შესაძლოა გამოიწვიოს გაღიზიანება ან დამწვრობა.
- არ გამოიყენოთ აკუმულატორის ბლოკი ან ხელსაწყო, რომელიც დაზიანებული ან გადაკეთებულია. დაზიანებულმა ან გადაკეთებულმა აკუმულატორმა შესაძლოა განაპირობოს გაუთვალისწინებელი ქმედება, რამაც შეიძლება გამოიწვიოს ხანძარი, აფეთქება ან დაზიანების რისკი.
- არ მოათავსოთ აკუმულატორის ბლოკი ან ხელსაწყო ცეცხლთან ან მაღალ ტემპერატურაზე. 130°C-ზე მაღალი ტემპერატურის ზემოქმედებამ შესაძლოა აფეთქება გამოიწვიოს.
- მიყევით დატენის ინსტრუქციებს და არ დატენოთ აკუმულატორის ბლოკი ინსტრუქციაში მითითებული ტემპერატურის დიაპაზონის გარეთ. აკუმულატორის არასწორი ან ინსტრუქციაში მითითებული ტემპერატურის ფარგლებს მიღმა დამუხტვამ შეიძლება დააზიანოს აკუმულატორი და გაზარდოს ხანძრის რისკი.

### მნიშვნელოვანი უსაფრთხოების ინსტრუქციები

**▲ გაფრთხილება:** მებაღეობაში გამოყენებული ელექტრული ხელსაწყოების ექსპლუატაციისას ძირითადი უსაფრთხოების გამაფრთხილებელი ზომებია ყოველთვის უნდა შესრულდეს, რათა შემცირდეს ხანძრის, ელექტრული შოკის და პირადი ზიანის რისკი, მათ შორის:

#### გამოყენებამდე ყურადღებით წაკითხეთ შეინახეთ სამომავლოდ გაცნობისთვის

**▲ საფრთხე:** არ მიენდით ხელსაწყოს იზოლაციას ელექტრული შოკისგან დაცვის მიზნით. დენის დარტყმის რისკის შემცირების მიზნით არასოდეს გამოიყენოთ ხელსაწყო ნებისმიერ გაყვანილობის ან კაბელების (დენის და ა.შ.), რომელთაც შესაძლოა გადაჰქონდეთ ელექტრული დენი, სიახლოვეს.

**▲ გაფრთხილება:** გაიკეთეთ შესაბამისი სმენის დამცავი საშუალებები ხელსაწყოთი სარგებლობისას. ხელსაწყოთი გარვეულ პირობებში და განმავლობაში სარგებლობამ შესაძლოა ხელი შეუწყოს სმენის დაქვეითებას.

#### ტრენინგი

- ყურადღებით წაკითხეთ ინსტრუქციები. შეისწავლეთ ხელსაწყოს კონტროლის ღილაკები და მათი მართებული გამოყენების გზა.
- არასდროს მისცეთ მკრეჭავის გამოყენების უფლება ამ ინსტრუქციების არმცოდნე პირებს ან ბავშვებს. ადგილობრივმა კანონმდებლობამ შესაძლოა შეზღუდოს ხელსაწყოს მომხარებლის ასაკი.
- არასოდეს გამოიყენოთ მკრეჭავი თუ სხვა პირები, განსაკუთრებით ბავშვები ან შინაური ცხოველები არიან ახლოს.
- გაითვალისწინეთ რომ ოპერატორი ან მომხმარებელი პასუხისმგებელია იმ შემთხვევებზე ან საფრთხეებზე რაც შესაძლოა წარმოიქმნას სხვა პირებს ან მათ ქონებას.

#### მომზადება

- კრეჭვის დროს ყოველთვის გაიკეთეთ

KA

მხედველობის და სმენის დამცავი საშუალებები, ასევე გამოიყენეთ მყარი ფეხსაცმელი და გრძელი მარვალი.

- გულდასმით შეამოწმეთ ის არე, სადაც უნდა გამოიყენოთ ხელსაწყო და მოაცილეთ ყველა ქვა, ჯოხი, სადენი, ძვალი ან სხვა უცხო სხეული.
- ხელსაწყო გამოყენებამდე ყოველთვის ვიზუალურად შეამოწმეთ რომ დანა, დანის ჭანჭიკი და საჭრელი ნაწილი არ არის გაცვეთილი ან დაზიანებული. შეცვალეთ გაცვეთილი ან დაზიანებული დანა და ჭანჭიკები ერთად, რათა დაიცვათ ხელსაწყო ცვეთის ბალანსი.

### გამოყენება

- ისარგებლეთ მკრეჭავით მხოლოდ დღის სინათლეზე ან კარგი ხელოვნური განათების პირობებში.
- ყოველთვის დაწმუნდით თქვენს მყარ საყრდენზე ბეჭობზე ხელსაწყო გამოყენებისას.
- არასოდეს ირბინოთ, მხოლოდ იარეთ ხელსაწყოთი სარგებლობისას.
- გამოიჩინეთ განსაკუთრებული სიფრთხილე როდესაც უკან მოძრაობთ ან ქაჩავთ მკრეჭავს თქვენსკენ.
- დარწმუნდით რომ დანა გაჩერებულია როდესაც უნდა გადაჭრათ ბალახისგან განსხვავებული არე და ან ახდენთ მკრეჭავის ტრანსპორტირებას სამუშაო არედან ან უკან მისკენ.
- არასოდეს გამოიყენოთ ხელსაწყო დეფექტური, მოხსნილი ან არასწორად დამაგრებული დამცავი ეკრანების გარეშე.
- არ შეცვალოთ მოტორის ძირითადი პარამეტრები ან გადატვირთოთ მოტორი.
- ფრთხილად ჩართეთ მოტორზე არსებული ჩამრთველი ინსტრუქციის მიხედვით და მოარიდეთ ფეხები დანას.
- არ დახაროთ როდესაც რთავთ მოტორს, იმ შემთხვევის გარდა როცა საჭიროა მისი გადახრა ჩასართველად. ამ შემთხვევაშიც არ გადახაროთ ხელსაწყო იმაზე მეტად ვიდრე აბსოლუტურად საჭიროა და აწიეთ მხოლოდ მომხმარებლისგან

მოშორებით მყოფი ნაწილი.

- არ ჩართოთ მოტორი, როდესაც გარეშე პირი დგას დანის წინ.
- არ მოათავსოთ ხელები ან ფეხები მბრუნავი ნაწილების ახლოს ან ქვეშ.
- ყოველთვის გათიშეთ მოტორი და მოხსენითი აკუმულატორი:
  - 1) გაჭედილი საგნებისგან ხელსაწყო გაწმენდამდე;
  - 2) დანის შემოწმებამდე, გაწმენდამდე ან ჩართვამდე;
  - 3) უცხო ობიექტთან შეჯახების შემდეგ: შეამოწმეთ დანა დაზიანებაზე და ჩაუტარეთ შესაბამისი შეკეთება მკრეჭავის მოხმარების დაწყებამდე;
  - 4) თუ მკრეჭავი იწყებს უჩვეულო ვიბრაციას (შეამოწმეთ დაუყონებლივ).
- გათიშეთ მოტორი როდესაც ტოვებთ მკრეჭავს;
- არ დატენოთ აკუმულატორი წვიმში ან სველ არეში.
- გამოიყენეთ მხოლოდ ის აკუმულატორის ბლოკები და დამტენები, რომლებიც მითითებულია სურ. A-ში
- აკუმულატორი უნდა ამოვიღოთ ხელსაწყოდან მის უტილიზაციამდე.
- აკუმულატორის უტილიზაცია უნდა მოხდეს უსაფრთხოების წესის შესაბამისად.
- არ ჩააგლით აკუმულატორი ცეცხლში. აკუმულატორის ელემენტები შესაძლოა აფეთქდეს. მიმართეთ თქვენს ადგილობრივ ხელისუფლებას წარმომადგენლებს აკუმულატორის უტილიზაციის უსაფრთხო გზების შესახებ.
- არ გახსნათ ან დაჭრათ აკუმულატორი. აკუმულატორიდან გამოდენილი ელექტროლიტი არის კოროზიული და შესაძლოა გამოიწვიოს თვალების ან კანის დაზიანება. ელექტროლიტი ტოქსიური გადაყლაპვის დროს.
- დაიცავით ფრთხილი მოპყრობის წესი აკუმულატორის გამოყენებისას, რათა შემთხვევით არ დაამოკლოთ

იგი გამტარი საგნებით როგორცაა ბეჭდები, სამაჯურები და გასაღებები. აკუმულატორი ან გამტარი შესაძლოა გახურდეს და გამოიწვიოს დამწვრობა.

- აკუმულატორიანი ელექტრული ხელსაწყოების ქსელში შეერთება არ არის აუცილებელი; ისინი ყოველთვის მუშა მდგომარეობაში არიან. გაითვალისწინეთ შესაძლო საფრთხეები მაშინაც კი როცა ხელსაწყო არ არის გამოყენებაში. გამოიჩინეთ სიფრთხილე როდესაც ახდენთ ხელსაწყოს შეკეთებას ან ტექნიკურ სერვისს.
- არ გარეცხოთ ხელსაწყო წყლის მილით; მოერიდეთ მობრუნებულ და ელექტრულ შეერთებებში წყლის მოხვედრას.

### ექსპლუატაცია და შენახვა

- დაუჭირეთ ყველა ქანჩი, ჭანჭიკი და ხრახნი, რათა დადრწმუნდეთ რომ ხელსაწყო უსაფრთხო სამუშაო მდგომარეობაშია.
- გამოცვალეთ გაცვეტილი ან დაზიანებული ნაწილები.
- არ შეეცადოთ შეაკეთოთ ხელსაწყო შესაბამისი კომპეტენციის არქონის შემთხვევაში.
- გამოიყენეთ მხოლოდ მწარმოებლის მიერ რეკომენდირებული ნაწილები ან აქესსუარები.
- ხელსაწყო მოხსენით აკუმულატორი, სანამ შეუდგებოდეთ ხელსაწყოს ტექნიკური სერვისის ან წმენდის პროცესს.
- გაუკეთეთ ხელსაწყოს რეგულარული შემოწმება და ინსპექტირება. ხელსაწყოს შეკეთება მიანდეთ მხოლოდ ავტორიზირებულ ხელოსანს.
- შეინახეთ ხელსაწყო ბავშვებისთვის მიუწვდომელ ადგილას.
- თუ ისეთი სიტუაცია შეიქმნა, რომელიც არაა აღწერილი ინსტრუქციაში, გამოიყენეთ საღი აზრი და მიიღეთ ფრთხილი გადაწყვეტილებები. მიმართეთ EGO-ს მომსახურების ცენტრს დახმარებისთვის.

- შეინახეთ ეს მომხმარებლის ინსტრუქცია. გამოიყენეთ მომხმარებლის ინსტრუქცია და მიუთითეთ სხვებს, ვისაც სურს ხელსაწყოს გამოყენება, გაეცნონ მას. თუ ათხოვებთ ხელსაწყოს სხვა პირს, ასევე ათხოვთ მას ეს მომხმარებლის ინსტრუქცია, რათა აღკვეთოთ ხელსაწყოს არასათანადო გამოყენება და შესაძლო ზიანი.

**შეინახეთ ეს მომხმარებლის ინსტრუქცია!**  
**შენიშვნა: იხილეთ თქვენი ელექტრული თავის მომხმარებლის ინსტრუქცია დამატებითი სპეციფიკური უსაფრთხოების წესების გასაცნობად.**

### სპეციფიკაციები

დანის სიგრძე	20 სმ
კრეჭვის სიღრმე	75 მმ-მდე
წონა	2.26 კგ
საექსპლუატაციო ტემპერატურა	-15°C - 40°C
შენახვის ტემპერატურა	-20°C - 70°C
გაზომილი ხმის სიმძლავრის დონე $L_{WA}$	92.4 dB(A) K=2.07 dB(A) (PH1400E)
	90.7 dB(A) K=1.46 dB(A) (PH1420E)
	90 dB(A) K=1.3 dB(A) (PHX1600)
ბგერის წნევის დონე მომხმარებლის ყურზე $L_{PA}$	79.8 dB(A) K=3 dB(A) (PH1400E)
	81.2 dB(A) K=3 dB(A) (PH1420E)
	84 dB(A) K=3 dB(A) (PHX1600)
გარანტირებული ხმის სიმძლავრის დონე $L_{WA}$ (2000/14/EC რეგულაციის მიხედვით)	95 dB(A)

KA

ვიბრაცია $a_h$	რეგულირებადი წინა სახელო	1.2 მ/წმ <sup>2</sup> K=1.5 მ/წმ <sup>2</sup> (PH1400E)
		1.95 მ/წმ <sup>2</sup> K=1.5 მ/წმ <sup>2</sup> (PH1420E)
		1,6 მ/წმ <sup>2</sup> K=1,5 მ/წმ <sup>2</sup> (PHX1600)
	უკანა სახელო	2.2 მ/წმ <sup>2</sup> K=1.5 მ/წმ <sup>2</sup> (PH1400E)
		1.66 მ/წმ <sup>2</sup> K=1.5 მ/წმ <sup>2</sup> (PH1420E)
		1,53 მ/წმ <sup>2</sup> K=1.5 მ/წმ <sup>2</sup> (PHX1600)

- მითითებული პარამეტრები ტესტირებული და გაზომილია PH1400E/PH1420E/PHX1600 ელექტრული თავის მიერთებით;
- მითითებული ვიბრაციის სრული მნიშვნელობა გაზომილია სტანდარტული ტესტირების მეთოდით და შესაძლოა გამოყენებულ იქნას ერთი ხელსაწყოს მეორესთან შედარებისას.
- მითითებული ვიბრაციის სრული მნიშვნელობა ასევე შესაძლოა გამოყენებულ იქნას ზემოქმედების პირველადი შეფასებისას.

**შენიშვნა:** ელექტრული ხელსაწყო ვიბრაციის ემისია გამოყენებისას შესაძლოა განსხვავდებოდეს მითითებული ოდენობისგან; მომხმარებელმა ხელსაწყოთი სარგებლობისას საჭიროა გამოიყენოს ხელთათმანები და ყურის დამცავი საშუალებები.

## შეფუთვის ჩამონათვალი

ნაწილის დასახელება	რაოდენობა
კიდის-მკრეჭავი მიმაგრება	1
ქანჩის გასაღები	1
მრავალფუნქციური ქანჩის გასაღები	1
ჭილიბყურა	2
მომხმარებლის ინსტრუქცია	1

## რეკომენდებული დანა

ნაწილის დასახელება	მოდელის ნომერი BER
მკრეჭავის დანა	AEB0800

## აღწერა

### შეისწავლეთ თქვენი კიდის მკრეჭავი მიმაგრება (ნახ. A)

1. ტორსული ხუფი
2. მკრეჭავის ტარი
3. დანის დამცავი ეკრანი
4. დანა
5. სიღრმის რეგულირების კნოზი
6. მიმართველი რგოლი
7. ქანჩის გასაღები
8. მრავალფუნქციური ქანჩის გასაღები
9. სიღრმის რეგულირების ბერკეტი
10. უცხო სხეულების ფრთაუკანი
11. ჭილიბყურა
12. ფილის დასამაგრებელი ჭანჭიკი
13. ფილა

## აწყობა

**▲ გაფრთხილება:** თუ რომელიმე ნაწილი დაზიანებულია ან დაკარგულია, არ ისარგებლოთ ხელსაწყოთი სანამ ყველა ნაწილი არ შეიცვლება. ხელსაწყოთი სარგებლობას დაზიანებული ან დანაკლისი

ნაწილებით შესაძლოა მოჰყვეს სერიოზული პირადი ზიანი.

**▲ გაფრთხილება:** არ სცადოთ ხელსაწყოს გადაკეთება ან ისეთი ნაწილების გამოყენება, რომლებიც არაა რეკომენდირებული ამ მკრეჭავისთვის. ნებისმიერი მსგავსი ცვლილება ან მოდიფიკაცია არის ხელსაწყოს არასათანადო გამოყენება და შესაძლოა წარმოქმნას სახიფათო მდგომარეობა, რომელმაც შეიძლება გამოიწვიოს სერიოზული პირადი ზიანი.

**▲ გაფრთხილება:** უცაბედი ჩართვის გამოსარიცხად, რომელმაც შესაძლოა გამოიწვიოს სერიოზული პერსონალური ზიანი, ყოველთვის მოხსენით აკუმულატორი მოწყობილობას, როდესაც ხდება მისი ნაწილების აწყობა.

**▲ გაფრთხილება:** ყოველთვის გამოიყენეთ ხელთათმანები, როდესაც ამონტაჟებთ ან ცვლით დამცავ ფარს. ფრთხილად მოუყარით დანას და დაიცავით ხელი გაჭრისგან.

**▲ გაფრთხილება:** არ გამოიყენოთ ხელსაწყო მჭიდროდ დამაგრებული დამცავი ფარის გარეშე. დამცავი ფარი ყოველთვის უნდა იყოს დამაგრებული მოწყობილობაზე მომხმარებლის დასაცავად! როდესაც დამცავი დამაგრებულია, არ შეეცადოთ მოხსნათ ან შეასწოროთ დამცავი ფარის პოზიცია, თუ საჭიროა მისი შეცვლა, ეს უნდა შეასრულოს კვალიფიციურმა მომსახურე ტექნიკოსმა!

### ხელსაწყოს თავზე კიდის მკრეჭავი მიმაგრების დამონტაჟება

კიდის მკრეჭავი მისამაგრებელი მოწყობილობა განკუთვნილია EGO 56 ვოლტის ანაბათი-იონის აკუმულატორიანი PH1400E/PH1420E/PHX1600 ელექტრულ თავთან მუშაობისთვის.

იხილეთ „ხელსაწყოს თავზე მიმაგრებული მოწყობილობის დამონტაჟება“ სექცია PH1400E/PH1420E/PHX1600 ელექტრული თავის მომხმარებლის ინსტრუქციაში.

## ექსპლუატაცია

**▲ გაფრთხილება:** შეეცადეთ მსგავსი პროდუქტის გამოყენების გამოცდილებამ არ გამოიწვიოს თქვენი უგულისყურობა. დაიმახსოვრეთ რომ უგულისყურობამ წამის მეათედში კი შესაძლოა მოგიტანოთ სერიოზული ზიანი.

**▲ გაფრთხილება:** ყოველთვის მორიგეთ გვერდითა ეკრანების მქონე უსაფრთხოების სათვალე და სმენის დამცავი საშუალება. ამ ინსტრუქციის უგულებელყოფამ შესაძლოა გამოიწვიოს სხვადასხვა სხეულის თვალში მოხვედრა და სხვა შესაძლოა სერიოზული ზიანი.

### გამოყენებები

თქვენ შეგიძლიათ გამოიყენოთ ხელსაწყო ქვემოთ ჩამოთვლილი მიზნებისთვის:

- ბილიკების, ღობის, ყვავილნარის და მსგავსი ტიპის არეების კიდების გაკრეჭა.

**შენიშვნა:** ხელსაწყოს გამოყენება შესაძლებელია მხოლოდ დანიშნულებისამებრ. სხვა ნებისმიერი სარგებლობა ჩაითვლება როგორც არამიზნობრივი გამოყენების შემთხვევა.

### ყოველი გამოყენების წინ შეამოწმეთ დაზიანებული/გაცვეთილი ნაწილების არსებობა.

შეამოწმეთ დანა, დამცავი ეკრანი და რეგულირებადი წინა სახელური, შეცვალეთ ყველა ნაწილი, რომლებიც გაზარულია, გაღუნულია, აქვს შეცვლილი ფორმა ან დაზიანებულია სხვაგვარად.

**▲ გაფრთხილება:** სერიოზული პერსონალური ზიანისგან თავის არიდების მიზნით მოხსენით აკუმულატორი ხელსაწყოს ტექნიკური სერვისის, გაწმენდის, მიმაგრების შეცვლის ან ნარჩენი ნივთიერების მოცილების დროს.

### კიდის მკრეჭავი მიმაგრების გამოყენება ელექტრულ თავზე

**▲ გაფრთხილება:** ჩაიცვით შესაბამისად, რათა შეამციროთ დაზიანების რისკი ხელსაწყოთი სარგებლობისას. არ ჩაიცვათ განიერი, ფრიალა ტანსაცმელი და

KA

მვირფასეულობა. მორგეთ თვალის და თვალის/სმენის დამცავი საშუალებები. ჩაიცვით სამუშაო გრძელი შარვალი, ჩექმა და ხელთათმანები. დაუმჯობესოთ გეცვათ მოკლე შორტი, სანდლები ან იაროთ ფეხშიშველმა. გამოიყენეთ სახის ნიღაბი ან მტვრის საწინააღმდეგო ნიღაბი მტვრიან ადგილას მუშაობისას.

**▲ გაფრთხილება:** გაასუფთავეთ სამუშაო არე ყველა დაბრკოლებისა და მყარი სხეულებისგან.

უსაფრთხო და უკეთესი მოხმარებისთვის, გადაიკიდეთ ჩამოსაკიდი ღვედი მხარზე. დაარეგულირეთ ღვედი კომფორტულ სამუშაო პოზიციაში.

დაიჭირეთ კიდის საკრეჭი ორივე ხელით, მოათავსეთ მარჯვენა ხელი უკანა სახელურზე, ხოლო მარცხენა ხელი - წინა სახელურზე. მუშაობისას ორივე ხელი მჭიდროდ მოკიდეთ ხელსაწყოს. მკრეჭავი უნდა დაიჭიროთ კომფორტულ მდგომარეობაში, უკანა სახელურით დაახლოებით ბარძაყის დონეზე (ნახ. B).

**▲ გაფრთხილება:** მხრის ღვედი ასევე წარმოადგენს ხელსაწყოს სწრაფად მოხსნის საშუალებას სახიფათო სიტუაციაში. როდესაც ხდება გაუთვალისწინებელი შემთხვევა, მაშინვე მოიხსენით ღვედი მხრიდან, მიუხედავად იმისა თუ რომელ მხარზე მდებარეობს იგი.

**ყოველი გამოყენების შემდეგ გაასუფთავეთ მკრეჭავი.**

იხილეთ სექცია „ექსპლუატაცია“ გაწმენდის ინსტრუქციებისთვის.

### ჭრის სიღრმის რეგულირება

1. გააჩერეთ მოტორი და მოხსენით აკუმულატორი.
2. მოუშვით სიღრმის-რეგულირების კნოპი მასზე დატანილი გასახსნელი ისრის მიმართულებით (ნახ. C).
3. დაატრიალეთ მიმმართველი რგოლი, სიღრმის რეგულირების ბერკეტთა ერთად, მაღლა რათა გაზარდოთ ჭრის სიღრმე ან დაბლა - რათა შეამციროთ იგი.

4. დაარეგულირეთ მიმმართველი რგოლი ისე რომ დანა ოდნავ ეხებოდეს ან თხრიდეს მიწას არაუმეტეს 5 მმ სიღრმეზე (ნახ. E) და შემდეგ დაუჭირეთ იგი მჭიდროდ.
5. ჩვეულებრივ სამუშაო პოზიციაში შეამოწმეთ ჭრის სიღრმე და შეცვალეთ იგი საჭიროებისამებრ.

### ხელსაწყოს ჩასართავად/გამოსართავად

იხილეთ სექცია „ელექტრული თავის ჩართვა/გამორთვა“ PH1400E/PH1420E/PHX1600 ელექტრული თავის მომხმარებლის ინსტრუქციაში.

### რჩევები ექსპლუატაციასთან დაკავშირებით

- ისე დაიჭირეთ და ატრიალეთ ელექტრული თავი, რომ დანა იყოს ვერტიკალურ პოზიციაში. მხედველობით გაუსწორეთ დანა გასაკრეჭი მცენარეების კიდეს (ნახ. F).
- იმუშავეთ მხოლოდ ნორმალური სიარულის ტემპით გადაადგილების შემთხვევაში. თუ დანა ზედმეტად ჩაიძირა, თქვენ კრიჭათ ძალიან სწრაფად და შეანელეთ ტემპი.
- ყოველთვის იმორჩავეთ პირდაპირ როცა ჭრით და ატარეთ მკრეჭავი პირდაპირ. არ მოქაჩოთ მკრეჭავი თქვენსკენ.
- ძალით არ ჩაუშვათ დანა მიწაში. დანის მსუბუქი შეხება ტროტუარის, გზის კიდესთან და ა.შ. მისაღება და არ დააზიანებს მკრეჭავს.
- საუკეთესო რეზულტატი მიიღება მშრალი ბალახის შემთხვევაში. მოერიდეთ სველ მიწაზე ან სველი ბალახის გაკრეჭვას, რადგან დანის დამცავი ეკრანი შესაძლოა გაიჭედოს და მოგცეთ უსწორმასწორო კიდე. თუ დანის დამცავი ეკრანი გაიჭედა, გათიშეთ მოტორი, მოხსენით აკუმულატორი და მოაცილეთ ნარჩენი სხეულები დანის დამცავ ეკრანს.

## ექსპლუატაცია

**▲ გაფრთხილება:** ხელსაწყოს შემოწმებამდე, გაწმენდამდე და სერვისამდე, გააჩერეთ მოტორი, დაელოდეთ ყველა მოძრავი ნაწილის გაჩერებას და მოხსენით აკუმულატორი. ჩამოთვლილი ინსტრუქციების უგულვებელყოფამ შესაძლოა გამოიწვიოს სერიოზული ფიზიკური ან მატერიალური ზიანი.

**▲ გაფრთხილება:** ტექნიკური სერვისისას გამოიყენეთ მხოლოდ იდენტური სათადარიგო ნაწილები. სხვა ნებისმიერი ნაწილის გამოყენებამ შესაძლოა შექმნას საფრთხე ან გამოიწვიოს ხელსაწყო დაზიანება. ხელსაწყოს უსაფრთხოდ და გამართულად მუშაობისთვის საჭიროა მისი ყველა შეკეთება, გარდა ინსტრუქციაში მოცემული მოვლის წესებში აღწერილი პროცედურებისა, უნდა შესრულდეს კვალიფიციური სერვისის ტექნიკოსის მიერ.

**ზოგადი მოვლის წესი**

მოერიდეთ გამხსნელების გამოყენებას ხელსაწყოს პლასტმასის ნაწილების გაწმენდისას. უმეტესობა პლასტმასები ადვილად ზიანდება მათზე გამხსნელების გამოყენების შედეგად. გამოიყენეთ სუფთა ტილო ტალახის, მტვრის, ზეთის, ცხიმის და სხვ. მოსაცილებლად.

**ხელსაწყოს გაწმენდის წესი**

- ყოველი გამოყენების შემდეგ მოაცილეთ ნარჩენი, დანას ან დამცავ ეკრანში გაჭედული მიწა ან ბალახი რბილი ფუნჯით. გადაწმინდეთ მკრეჭავის ზედაპირი სუფთა, ნოტიო ქსოვილით და რბილი სარეცხი საშუალებით.
- გამოიყენეთ მცირე ფუნჯი ან პატარა მტვერსასრუტი რათა გაწმინდოთ ხელსაწყოს საჭაეროები ბუდის უკანა მხარეს.

**შენიშვნა:** არ გამოიყენოთ ძლიერი გაწმენდი საშუალებები პლასტმასის ბუდეზე ან სახელურზე. ისინი შესაძლოა დაზიანდეს ისეთი არომატიზატორებით, როგორცაა ნაძვის ან ლიმნის ზეთი.

**დანის შეცვლა**

**▲ გაფრთხილება:** არ შეეცადოთ გალუნული ან გატეხილი დანის გასწორებას ან შედუღებას - ის შეიძლება დაიმსხვრეს - ასეთი დანა უნდა შეიცვალოს. რეკომენდირებულია მხოლოდ EGO-ს მკრეჭავი დანით შეცვლა, იხილეთ სექცია „რეკომენდირებული დანები“.

**შენიშვნა:** შეცვალეთ დანა თუ მისი სიგრძე არ გაძლევთ საშუალებას შეინარჩუნოთ მიწასთან მისაღები კონტაქტი და სასურველი ჭრის სიღრმე.

**▲ გაფრთხილება:** ყოველთვის დაიცავით თქვენი ხელები დამცავი ხელთათმანებით ან დაახვიეთ დანაზე ტილოს ნაჭერი ან სხვა ქსოვილი, როცა მკრეჭავის დანას უტარებთ ნებისმიერ სერვისს.

**დანის მოხსნა**

1. გააჩერეთ მოტორი და მოხსენით აკუმულატორი.
2. დადეთ კიდის მკრეჭავი ზურგზე, ისე რომ დამლუქავი ხრახნი აღმოჩნდეს ზედა მხარეს.
3. ჩაიცვით დამცავი ხელთათმანები გამოიყენეთ მახვილტუქა (არ არის კომპლექტში) რათა მოხსნათ ჭილიბყურა მოტორის ლილვს (ნახ. G).
4. დაატრიალეთ დანა, რათა გაუსწოროთ შვერილზე არსებული ნასვრეტი გადაცემათა კოლოფში არსებულ ხვრელს (ნახ. G).

ნახ.G ნაჩვენები ნაწილების აღწერა

მოცემულია ქვევით:

G-1	ჭილიბყურა
G-2	შიდა შვერილი
G-3	გადაცემათა კოლოფი

5. ჩასვით ქანჩის გასაღები გასწორებულ ხვრელებში და გამოიყენეთ როგორც სტაბილიზატორი. გამოიყენეთ არსებული მრავალფუნქციური ქანჩის გასაღები, რათა მოუშვათ ქანჩი საათის ისრის მიმართულებით (ნახ. H).
6. მოხსენით ქანჩი, გარეთა შვერილი, დანა და შიდა შვერილი მოტორის ლილვს

**KA**

(ნახ. I). შეამოწმეთ და შეცვალეთ ისინი ცვეთის აღმოჩენის შემთხვევაში.

ნახ. I ნაჩვენები ნაწილების აღწერა მოცემულია ქვევით:

I-1	მოტორის ლილვი	I-5	დანა
I-2	შიდა შვერილი	I-6	გარეთა შვერილი
I-3	შიდა შვერილზე არსებული ნასვრეტი	I-7	ქანჩი
I-4	შიდა შვერილზე არსებული გამოზნექილობა	I-8	ჭილიბყურა

### დანის დამონტაჟება

1. მოათავსეთ შიდა შვერილი მოტორის ლილვზე, ისე რომ გამოზნექილი ნაწილი აღმოჩნდეს გარეთა მხარეს (ნახ. I).
2. დაამონტაჟეთ ახალი დანა შიდა შვერილზე, დარწმუნდით რომ დანა მჭიდროდ დაჭერილია საკუთარ ადგილად (ნახ. J).
3. მოარგეთ გარეთა შვერილი და ქანჩი ლილვს და წინასწარ დაუჭირეთ ქანჩი ხელით **საათის ისრის საწინააღმდეგო მიმართულებით**.
4. მისდით ზევით მითითებულ ნაბიჯს 4 და 5 სექციაში „დანის მოხსნა“, რათა მოახდინოთ დანის სტაბილიზირება და მჭიდროდ დამაგრება ქანჩის საათის ისრის საწინააღმდეგო მიმართულებით დაჭერით.
5. ჩასვით ახალი ჭილიბყურა მოტორის ლილვში არსებულ ნახვრეტში. მოლუნეთ მისი ფეხები სხვადასხვა მიმართულებით მახვილტუჩას (არ არის კომპლექტში) საშუალებით (ნახ. G).

### მიმმართველი რგოლის გამოცვლა

1. გააჩერეთ მოტორი და მოხსენით აკუმულატორი.
2. დადეთ კიდის მკრეჭავი ზურგზე, ისე რომ მიმმართველი რგოლი აღმოჩნდეს ზედა მხარეს.

3. მოუშვით სიღრმის-რეგულირების კნოპი მასზე დატანილი გასახსნელი ისრის მიმართულებით და მოხსენით იგი.
4. მოხსენით ზამზარიანი საყელური, ჩვეულებრივი შუასადები 1, მიმმართველი რგოლი, მილისი და ჩვეულებრივი შუასადები 2 ხრახნიანი მილიდან (ნახ. K). შეამოწმეთ და შეცვალეთ ისინი ცვეთის აღმოჩენის შემთხვევაში.
5. დაამონტაჟეთ ხრახნიანი მილი სიღრმის რეგულირების ძელში, შემდეგ დაამაგრეთ ჩვეულებრივი შუასადები 2, მილისი და ახალი რგოლი, შემდეგ დაამაგრეთ ჩვეულებრივი შუასადები 1, ზამზარიანი საყელური და სიღრმის რეგულირების კნოპი ხრახნიან მილიზე ნახ. K ნაჩვენები თანამიმდევრობით.

ნახ. K ნაჩვენები ნაწილების აღწერა მოცემულია ქვევით:

K-1	სიღრმის რეგულირების კნოპი	K-5	მილისი
K-2	ზამზარიანი საყელური	K-6	ჩვეულებრივი შუასადები 2
K-3	ჩვეულებრივი შუასადები 1	K-7	ხრახნიანი მილი
K-4	მიმმართველი რგოლი	K-8	სიღრმის რეგულირების ბერკეტი

**შენიშვნა:** მიმმართველი რგოლი უნდა დამონტაჟდეს ბრტყელი სამაგრებით შიგნით (ნახ. L).

ნახ. L ნაჩვენები ნაწილების აღწერა მოცემულია ქვევით:

L-1	ხრახნები	L-3	ბრტყელი სამაგრი
L-2	უცხო სხეულების ფრთაუკანი	L-4	დასამაგრებელი დაფა

6. ჩაკეტეთ სიღრმის რეგულირების კნოპი. **ფრთაუკანის შეცვლა (ნახ. L)**

KA



1. გააჩერეთ მოტორი და მოხსენით აკუმულატორი.
2. გამოიყენეთ არსებული ორთავიანი ქანჩის გასადები, რათა მოუშვათ ორი ხრახნი.
3. მოხსენით ხრახნები, დასამაგრებელი დაფა და გაცვეთილი ფრთაუკანი.
4. შეცვალეთ ახალი ფრთაუკანით და დაამაგრეთ დაფით და ორი ხრახნის საშუალებით.

**ცვეთის საწინააღმდეგო ეკრანის/ფილის შემოწმება და შეცვლა (ნახ. M)**

შეამოწმეთ ცვეთის საწინააღმდეგო დამცავი ეკრანი და ფილა დაზიანებაზე ელექტრული ხელსაწყოთა ჩართვამდე. ცვეთის საწინააღმდეგო ეკრანი უდა შეიცვალოს, როგორც კი გადაცემათა კოლოფი გახდება ხილული.

**შენიშვნა:** გადაცემათა კოლოფი შესაძლოა სერიოზულად დაზიანდეს თუ არ შეცვლით ცვეთის საწინააღმდეგო ეკრანს როგორც კი გადაცემათა კოლოფი გახდება ხილული.

1. გააჩერეთ მოტორი და მოხსენით აკუმულატორი.
2. ჩაიცვით დამცავი ხელთათმანები დაატრიალეთ დანა საჭიროებისამებრს, რათა გამოაჩინოთ ორი ხრახნი.
3. გამოიყენეთ არსებული ორთავიანი ქანჩის გასადები, რათა მოუშვათ და მოხსნათ ორი ხრახნი.

**შენიშვნა:** თუ გჭირდებათ ფილის მოხსნა, მოუშვით და მოხსენით მხოლოდ ხრახნი 1.

4. შეცვალეთ დეფორმირებული ან გაცვეთილი დამცავი ეკრანი/ფილა.
  5. მორგეთ ახალი ცვეთის საწინააღმდეგო დამცავი ეკრანი და ფილა გადაცემათა კოლოფს და დაამაგრეთ ორი ხრახნით.
- ნახ. M ნაჩვენებია ნაწილების აღწერა მოცემულია ქვევით:

M-1	ხრახნი 1	M-4	ცვეთის საწინააღმდეგო დამცავი ეკრანი
M-2	დამცავი ფილა	M-5	სამაგრი ნასვრეტები
M-3	ხრახნი 2	M-6	გადაცემათა კოლოფი

**დამცავი ფილის მოხსნა**

თუ თქვენ გაქვთ მსგავსი ტიპის მკრეჭავის მოხმარების გამოცდილება ან უტყობთ რომ დამცავი ფილა ხელს გიშლით მუშაობაში, შეგიძლიათ მისი მოხსნა.

1. მოუშვით და მოხსენით ხრახნი 1.
2. მოხსენით დამცავი ფილა.
3. ხელახლა დაუჭირეთ ხრახნი 1.

**გადაცემათა კოლოფის კბილანების შეზეთვა**

გადაცემათა კოლოფში არსებული კბილანები საჭიროებენ პერიოდულ შეზეთვას სპეციალური საპოხით. შეამოწმეთ გადაცემათა კოლოფის შეზეთვის დონე ექსპლუატაციის ყოველ 50 საათიან პერიოდში კოლოფის გვერდითა მხარეს მოთავსებული დამლუქავი ხრახნის მოხსნით.

თუ კბილანების გვერდებზე საპოხი მასალა არ სჩანს, მიყევით ქვემოთ მოცემულ ინსტრუქციას და შეავსეთ გადაცემათა კოლოფის სივრცე 3/4-ზე საპოხი მასალით. ბოლომდე არ გაავსოთ გადაცემათა კოლოფი.

1. დაიჭირეთ კიდის მკრეჭავი ისე, რომ დამლუქავი ხრახნი აღმოჩნდეს ზედა მხარეს (ნახ. N).
2. გამოიყენეთ არსებული მრავალფუნქციური ქანჩის გასადები, რათა მოუშვათ და მოხსნათ დამლუქავი ხრახნი. გამოიყენეთ ზეთის შპრიცი (არ არის კომპლექტში), რათა შეიყვანოთ საპოხი მასალა ხრახნის ნასვრეტში; არ გადააჭარბოთ მოცულობის 3/4-ზე მეტს.
3. საპოხის შეყვანის შემდეგ დაუჭირეთ დამლუქავი ხრახნი.

**KA**

## ხელსაწყოს შენახვის წესი

- მოხსენით აკუმულატორი კიდის მკრეჭავს.
- საფუძვლიანად გაწმინდეთ ხელსაწყო შენახვამდე.
- კიდის მკრეჭავი მიმაგრება მოხსნილია ელექტრული თავიდან და ინახება ცალკე, მოარგეთ მიმაგრების ტარის ბოლოს ხუფი, რათა აიცილოთ თავიდან ჭუჭყის მოხვედრა სამაგრ ქუროში.
- შეინახეთ ხელსაწყო მშრალ, კარგად განიავეზად ადგილას ჩაკეტილ და მაღალ სათავსოში, ბავშვებისთვის მიუწვდომელ ადგილას. არ შეინახოთ ხელსაწყო სასუქის, ბენზინის და სხვა ქიმიური ნივთიერებების სიახლოვეს.

## გარემოს დაცვა



არ მოათავსოთ ელექტრო მოწყობილობა, ნახმარი დამტენი და აკუმულატორი საყოფაცხოვრებო ნაგავში! მიუტანეთ პროდუქტი ნარჩენების ავტორიზირებულ გადამამუშავებელს და უზრუნველყავით ასეთი ნარჩენის განცალკევებულად შეგროვება. ელექტრო მოწყობილობები უნდა ჩაბარდეს გარემოს თვალსაზრისით თავსებად ნარჩენების გადამამუშავებელ ობიექტს.

## პრობლემების დიაგნოსტიკა

პრობლემა	მიზეზი	გადაჭრის გზა
მოტორი არ ირთვება.	<ul style="list-style-type: none"> <li>▪ აკუმულატორი არ არის შეერთებული ელექტრულ თავზე.</li> <li>▪ ელექტრულ თავსა და აკუმულატორს შორის არ არის ელექტრული კონტაქტი.</li> <li>▪ აკუმულატორი დაცლილია.</li> <li>▪ ჩამკეტი ღილაკი და ტრიგერი ერთდროულად არაა აქტივირებული.</li> </ul>	<ul style="list-style-type: none"> <li>▪ დაამაგრეთ აკუმულატორი ელექტრულ თავზე.</li> <li>▪ მოხსენით აკუმულატორი, შეამოწმეთ კონტაქტები და კვლავ მოათავსეთ იგი უკან, სანამ არ ჩაჯდება თავის ადგილას.</li> <li>▪ დატენეთ აკუმულატორი მხოლოდ EGO-ს მიერ ამ მომხმარებლის ინსტრუქციაში ჩამოთვლილი დამტენი მოწყობილობებით.</li> <li>▪ დააჭირეთ ჩამკეტ ღილაკს და გააჩერეთ ამ მდგომარეობაში, შემდეგ დააჭირეთ თითო ტრიგერს რათა ჩართოთ ელექტრული თავი.</li> </ul>
ელექტრული თავი ჩერდება მუშაობისას.	<ul style="list-style-type: none"> <li>▪ მოტორი არის გადატვირთული.</li> <li>▪ აკუმულატორი ან ელექტრული თავი ზედმეტად გაცხელებულია.</li> <li>▪ აკუმულატორი მოხსნილია ხელსაწყოდან.</li> <li>▪ აკუმულატორი დაცლილია.</li> </ul>	<ul style="list-style-type: none"> <li>▪ ხელსაწყო განაახლებს მუშაობას როდესაც დატვირთვა მოიხსნება. განუწყვეტლივი მუშაობისას შეამცირეთ ელექტრული თავის დატვირთვა.</li> <li>▪ აცალეთ აკუმულატორს ან ელექტრულ თავს გაგრილება 67°C-ის ქვევით.</li> <li>▪ ხელახლა ჩასვით აკუმულატორი.</li> <li>▪ დატენეთ აკუმულატორი მხოლოდ EGO-ს მიერ ამ მომხმარებლის ინსტრუქციაში ჩამოთვლილი დამტენი მოწყობილობებით.</li> </ul>

პრობლემა	მიზეზი	გადაჭრის გზა
კიდე უსწორმასწოროა	<ul style="list-style-type: none"><li>■ საკრეჭი ბალახი და მიწა ძალიან სველია.</li><li>■ დანის დამცავი ეკრანი გაჭედილია.</li></ul>	<ul style="list-style-type: none"><li>■ მოერიდეთ კრეჭას სველ ბალახსა და სველ მიწაზე.</li><li>■ გათიშეთ მოტორი, მოხსენით აკუმულატორი და მოაცილეთ ნარჩენი სხეულები დანის დამცავ ეკრანს.</li></ul>

## გარანტია

### EGO-ს გარანტიის მომსახურების წესი

გთხოვთ ეწვიოთ ვებ-გვერდს [egopowerplus.eu](http://egopowerplus.eu). რათა მიიღოთ EGO-ს საგარანტიო მომსახურების სრული დადგენილებები და პირობები.

## PROČITAJTE SVA UPUTSTVA!



**PROČITAJTE PRIRUČNIK ZA RUKOVAOCA**

**⚠ UPOZORENJE:** Da bi se osigurala sigurnost i pouzdanost, sve popravke i zamene treba da radi kvalifikovani servisni tehničar.

## SIGURNOSNI SIMBOLI

Svrha sigurnosnih simbola je da vam skrenu pažnju na moguće opasnosti. Sigurnosni simboli i objašnjenja uz njih zaslužuju vašu pornu pažnju i shvatanje. Simboli upozorenja, sami po sebi, ne eliminišu nikakve opasnosti. Uputstva i upozorenja koja oni daju nisu zamena za odgovarajuće mere sprečavanja nezgoda.

**⚠ UPOZORENJE:** Obavezno pročitajte i shvatite sva sigurnosna uputstva u ovom Priručniku za rukovaoca, obuhvatajući i sve simbole sigurnosnih upozorenja poput „OPASNOST“, „UPOZORENJE“ i „OPREZ“ pre korišćenja ovog alata. Nepridržavanje svih dole navedenih uputstava može da dovede do strujnog udara, požara i/ili ozbiljne telesne povrede.

## ZNAČENJE SIMBOLA

**⚠ SIMBOL SIGURNOSNOG UPOZORENJA:** Ukazuje na **OPASNOST, UPOZORENJE ILI OPREZ**. Može se koristiti zajedno sa drugim simbolima ili piktogramima.





**⚠ UPOZORENJE:** Rukovanje svakim električnim alatom može da dovede do izbacivanja stranih tela ka očima, što može da dovede do ozbiljnog oštećenja očiju. Pre započinjanja rada sa električnim alatom, uvek stavite sigurnosne naočare sa bočnim štitnicima ili po potrebi masku za celo lice. Preporučujemo sigurnosnu masku Wide Vision za upotrebu preko naočara ili standardnih sigurnosnih naočara sa bočnim štitnicima.

## SIGURNOSNA UPUTSTVA

Ova stranica prikazuje i opisuje sigurnosne simbole koji mogu da se pojave na ovom proizvodu. Pročitajte, shvatite i sledite sva uputstva na mašini pre no što pokušate da je sklopite i da rukujete njom.

	Sigurnosno upozorenje	Označava potencijalnu opasnost od telesne povrede.
	Pročitajte Priručnik za rukovaoca	Da bi smanjio rizik od povreda, korisnik pre korišćenja ovog proizvoda mora pročitati i shvatiti priručnik za rukovaoca.
	Nosite zaštitu za uši i oči	Uvek nosite zaštitu za uši i sigurnosne naočare sa bočnim štitnicima ili po potrebi masku za celo lice kad rukujete ovim proizvodom.
	Dužina noža rubnog trimera	Dužina noža rubnog trimera
	Držite prolaznike podalje	Udaljenost između mašine i prolaznika mora biti najmanje 15 m.
	Smer rotacije noža rubnog trimera	Pokazuje smer rotacije noža rubnog trimera.
	Izbaceni predmeti	Materijal koji izlazi iz rubnog trimera može uticati na stabilno uporište. Budite krajnje pažljivi kad hodate po radnoj površini.
	Nosite sigurnosnu obuću	Nosite sigurnosnu obuću koja se ne klizje kada koristite ovaj uređaj.
	Rotacioni nož za sečenje	Ne stavljajte šake ili stopala blizu ili ispod rotirajućih delova.
	Održavajte dovoljnu udaljenost od električnih vodova	Da biste sprečili smrt od strujnog udara, ne radite unutar 15m od vazdušnih električnih vodova. Kontakt sa električnim vodovima ili rad u blizini njih može da izazove ozbiljne povrede ili strujni udar koji za posledicu ima smrt.
	CE	Ovaj proizvod je u skladu sa primenljivim EC direktivama.
	UKCA	Ovaj proizvod je u skladu sa primenljivim zakonima u UK.
	WEEE	Otpadne električne proizvode ne bi trebalo odlagati zajedno sa otpadom iz domaćinstva. Odnosite ih u ovlašćeni pogon za reciklažu.

SR

	Buka	Garantovan nivo jačine zvuka. Emisija buke u okruženju prema Direktivi Evropske zajednice.
V	Volt	Voltaža
mm	Milimetar	Dužina ili veličina
cm	Centimetar	Dužina ili veličina
kg	Kilogram	Težina
	Jed-nos-me-ma struja	Tip ili karakteristika struje

## OPŠTA BEZBEDNOSNA UPOZORENJA O MAŠINAMA

**▲ UPOZORENJE!** Pročitajte sva sigurnosna upozorenja, uputstva, ilustracije i specifikacije priložene uz ovu mašinu. Nepridržavanje svih dolenađenih uputstava može da dovede do strujnog udara, požara i/ili ozbiljne povrede.

### SAČUVAJTE SVA UPOZORENJA I UPUTSTVA ZA BUDUĆU UPOTREBU.

Pojam „mašina“ u upozorenjima označava mašinu (sa žicom) koja se uključuje u utičnicu ili mašinu (bežičnu) na baterije.

### BEZBEDNOST RADNOG PODRUČJA

- Održavajte radno područje čistim i dobro osvetljenim. Na pretrpanim ili mračnim područjima su veće šanse da dođe do nezgoda.
- Ne rukujte mašinama u eksplozivnim atmosferama, kao na primer u prisustvu zapaljivih tečnosti, gasova ili prašine. Mašine stvaraju varnice koje mogu zapaliti prašinu ili isparenja.
- Držite decu i posmatrače podalje dok rukujete mašinom. Ako vam nešto odvrati pažnju, možete izgubiti kontrolu.

### ELEKTRIČNA SIGURNOST

- Utikač mašine mora odgovarati utičnici. Nikada ne modifikujete utikač ni na koji način. Ne koristite adapterske utikače sa uzemljenim mašinama. Nemodifikovani utikači i odgovarajuće utičnice će smanjiti rizik od strujnog udara.
- Izbegavajte kontakt delova tela sa uzemljenim površinama, poput cevi, radijatora, šporeta i frižidera. Postoji povećan rizik od strujnog udara ako je vaše telo uzemljeno.
- Ne rukujte mašinom po kiši ili u vlažnim uslovima. Ako voda uđe u mašinu, to može povećati rizik od strujnog udara ili kvara, što bi moglo da dovede do telesne povrede.

- Nemojte zloupotrebljavati kabl. Nikad ne koristite kabl za nošenje, vučenje ili isključivanje mašine iz utičnice. Čuvajte kabl podalje od toplote, nafte, oštarih ivica ili pokretnih delova. Oštećen ili upetljan kabl povećava rizik od strujnog udara.
- Kada rukujete mašinom na otvorenom prostoru, koristite produžni kabl pogodan za korišćenje na otvorenom prostoru. Upotreba kabla pogodnog za korišćenje na otvorenom prostoru smanjuje rizik od strujnog udara.
- Ako je korišćenje mašine na vlažnom mestu neizbežno, koristite izvor napajanja sa zaštitnim uređajem diferencijalne struje (GFCI). Korišćenje GFCI smanjuje rizik od strujnog udara.

### LIČNA BEZBEDNOST

- Ostanite u pripravnosti, gledajte ono što radite i koristite zdrav razum kad rukujete mašinom. Ne koristite mašinu kad ste umorni ili pod uticajem droge, alkohola ili lekova. Trenutak nepažnje kad rukujete mašinama je dovoljan da izazove ozbiljne telesne povrede.
- Koristite ličnu zaštitnu opremu. Uvek nosite zaštitu za oči. Zaštitna oprema poput maske za prašinu, radnih cipela koje se ne klizu, šlema ili zaštite sluha će, kada se koristi za odgovarajuće uslove, smanjiti telesne povrede.
- Sprečite nehotično pokretanje. Osigurajte da prekidač bude u isključenom položaju pre povezivanja na izvor napajanja i/ili bateriju, podizanja ili nošenja mašine. Nošenje mašina sa prstom na prekidaču ili uključivanje u utičnicu mašina čiji prekidač je u uključenom položaju priziva nezgode.
- Uklonite sve ključeve za podešavanje pre uključivanja mašine. Ključ koji ostane pričvršćen za rotacioni deo mašine može da izazove telesnu povredu.
- Ne presežite. U svakom trenutku održavajte pravilan položaj nogu i ravnotežu. To omogućava bolju kontrolu nad mašinom u neočekivanim situacijama.
- Prikladno se obucite. Ne nosite labavu odeću ili nakit. Držite kosu i odeću dalje od pokretnih delova. Labava odeća, nakit ili duga kosa mogu da se zakače pokretnim delovima.
- Ako su priloženi uređaji za povezivanje delova za izbacivanje i prikupljanje prašine, osigurajte da oni budu povezani i da se pravilno koriste. Upotreba kolektora prašine može da smanji opasnosti koje izaziva prašina.
- Ne dozvolite da zbog poznavanja koje ste stekli kroz čestu upotrebu mašina postanete samozadovoljni i ignorišete principe bezbednosti mašina. Nemarni

postupak može da izazove ozbiljnu povredu u deliću sekunde.

## UPOTREBA I ODRŽAVANJE MAŠINE

- **Ne silite mašinu. Koristite odgovarajuću mašinu za ono što radite.** Odgovarajuća mašina uradiće posao bolje i bezbednije onom brzinom za koju je dizajnirana.
- **Ne koristite mašinu ako prekidač ne može da je uključi i isključi.** Svaka mašina koja se ne može kontrolisati prekidačem je opasna i mora se popraviti.
- **Izvcite utikač iz izvora napajanja i/ili izvadite bateriju, ako je odvojiva, iz mašine pre bilo kakvog podešavanja, menjanja dodataka ili skladištenja mašina.** Takve preventivne sigurnosne mere smanjuju rizik od nehotičnog pokretanja mašine.
- **Skladištite mašine koje se ne koriste van domašaja dece i ne dozvolite osobama koje nisu upoznate sa ovom mašinom ili ovim uputstvom da rukuju mašinom.** Mašine su opasne u rukama ne kvalifikovanih korisnika.
- **Održavajte mašine i pribor. Proveravajte da li ima nepravilnog poravnjanja ili zaglavljivanja pokretnih delova, pucanja delova i svih drugih stanja koja mogu da utiču na rad mašine.** Ako je mašina oštećena, odnesite je na popravku pre upotrebe. Mnoge nezgode su izazvane loše održanim mašinama.
- **Održavajte mašine koje seku oštrim i čistim.** Pravilno održavane mašine za sečenje sa oštrim ivicama za sečenje se ređe zapetljavaju i lakše se kontrolišu.
- **Koristite mašinu, dodatke, burgije itd. u skladu sa ovim uputstvom, uzimajući u obzir radne uslove i rad koji treba obaviti.** Korišćenje mašine za rad drugačiji od predviđenog moglo bi da dovede do opasne situacije.
- **Održavajte drške i površine koje hvatate suvim, čistim i bez ulja i masnoće.** Klizave drške i površine koje hvatate ne omogućavaju bezbedno rukovanje i kontrolu mašine u neočekivanim situacijama.

## UPOTREBA I ODRŽAVANJE MAŠINA NA BATERIJE

- **Punite samo punjačem koji navodi proizvođač.** Punjač koji je prikladan za jedan tip baterije može da stvori opasnost od požara kad se koristi sa nekom drugom baterijom.
- **Koristite mašine samo sa konkretno imenovanim baterijama.** Upotreba bilo kakvih drugih baterija može da stvori rizik od povrede i požara.
- **Kad se baterija ne koristi, držite je dalje od drugih metalnih predmeta, poput spajalica, novčića, ključeva, eksera, vijaka ili drugih malih metalnih predmeta koji mogu da napravie spoj jednog terminala sa drugim.** Kratak spoj terminala baterije može da izazove opekotine ili požar.

- **U ekstremnim uslovima može doći do curenja tečnosti iz baterije; izbegavajte kontakt sa njom. Ako dođe do nehotičnog kontakta, isperite vodom.** Ako tečnost dođe u kontakt sa očima, takođe potražite i medicinsku pomoć. Tečnost iz baterije može da izazove iritaciju ili opekotine.
- **Ne koristite bateriju ili mašinu koje su oštećene ili modifikovane.** Oštećene ili modifikovane baterije mogu da ispolje nepredvidivo ponašanje, dovodeći do požara, eksplozije ili rizika od povrede.
- **Ne izlažite bateriju ili mašinu vatri ili previsokoj temperaturi.** Izlaganje vatri ili temperaturi iznad 130 °C može izazvati eksploziju.
- **Pratite sva uputstva za punjenje i ne puniti bateriju ili mašinu izvan temperaturnog opsega navedenog u uputstvima.** Punjenje na nepravilan način ili na temperaturama izvan navedenog opsega može da ošteti bateriju i poveća rizik od požara.

## VAŽNA SIGURNOSNA UPUTSTVA

**⚠ UPOZORENJE!** Kada koristite električne baštenske aparate, uvek treba da se pridržavate osnovnih sigurnosnih mera opreza da biste smanjili rizik od požara, strujnog udara i telesne povrede, obuhvatajući i sledeće:

## PAŽLJIVO PROČITATI PRE UPOTREBE

### SAČUVATI ZA BUDUĆU UPOTREBU

**⚠ OPASNOST!** Ne oslanjajte se na izolaciju od strujnog udara u alatu. Da biste smanjili rizik od strujnog udara, nikad ne rukujte mašinom u blizini bilo kakvih žica ili kablova (strujnih i sl.) kroz koje možda prolazi električna struja.

**⚠ OPREZ!** Nosite prikladnu ličnu zaštitu sluha tokom upotrebe. U nekim uslovima i trajanjima upotrebe, buka iz ovog proizvoda može da doprinese gubitku sluha.

### Obuka

- Pažljivo pročitajte uputstvo. Upoznajte se sa kontrolama i pravilnom upotrebom opreme.
- Nikad ne dozvolite deci ili ljudima koji nisu upoznati sa ovim uputstvima da koriste rubni trimmer. Lokalni propisi mogu da ograniče uzrast rukovaoca.
- Nikad ne koristite rubni trimmer dok su ljudi, naročito deca, ili kućni ljubimci u blizini.
- Imajte na umu da je rukovalac ili korisnik odgovoran za nezgode ili opasnosti po druge ljude ili njihovu imovinu.

### Prpriprema

- Dok koristite rubni trimmer, uvek nosite zaštitu za oči i uši, čvrstu obuću i duge pantalone.
- Temeljno pregledajte površinu na kojoj ćete koristiti opremu i uklonite svo kamenje, štapove, žice, kosti i druge strane predmete.

SR

- Pre korišćenja, uvek vizuelno pregledajte mašinu da biste proverili da li su sečiva, zavrtnaj sečiva i sklop sekača pohabani ili oštećeni. Zamenite pohabana ili oštećena sečiva i zavrtnje u kompletu da biste očuvali balans.

## Rukovanje

- Rukujte rubnim trimenom samo po dnevnom svetlu ili po dobrom veštačkom svetlu.
- Uvek vodite računa o položaju nogu na nagibima.
- Hodajte; nikad nemojte trčati.
- Budite krajnje oprezni kad idete unazad ili vučete rubni trimen prema sebi.
- Vodite računa da se nož zaustavi pre prelaženja površina koje nisu travnate i kad transportujete rubni trimen do površine na kojoj ćete ga koristiti i od nje.
- Nikad ne rukujte rubnim trimenom sa defektnim, nedostajućim ili nepravilno postavljenim štitnicima.
- Ne menjajte fabričke postavke motora i ne uklanjajte blokadu brzine motora.
- Pažljivo uključite prekidač na motoru prema uputstvu, držeći stopala dosta dalje od sečiva.
- Ne naginjite rubni trimen dok uključujete motor, osim ako mora da bude nagnut za pokretanje. U tom slučaju, ne naginjite više nego što je apsolutno neophodno i podignite samo onaj deo koji je dalje od rukovaoca.
- Ne pokrećite motor dok posmatrač stoji ispred noževa.
- Ne stavljajte šake ili stopala blizu ili ispod rotirajućih delova.
- Uvek isključite motor i odvojite od baterije:
  - 1) Pre čišćenja čepova;
  - 2) Pre proveravanja, čišćenja ili rada na noževima;
  - 3) Posle nailaženja na strani predmet: Pregledajte da li na noževima ima oštećenja i popravite ih pre ponovnog pokretanja i rukovanja rubnim trimenom;
  - 4) Ako rubni trimen počne abnormalno da vibrira (smesta proverite).
- Zaustavite motor svaki put kad napuštate rubni trimen;
- Nemojte puniti bateriju na kiši ili na mokrim mestima.
- Koristite samo sa baterijama i punjačima navedenim na slici A.
- Baterija se mora izvaditi iz aparata pre recikliranja.
- Baterija se mora bezbedno odložiti na otpad.
- Ne bacajte bateriju u vatru. Čelije mogu eksplodirati. Proverite kod lokalne uprave radi eventualnih specijalnih uputstava za odlaganje na otpad.
- Ne otvarajte niti oštećujte bateriju. Ispušteni elektrolit je korozivan i može da izazove oštećenja očiju ili kože.

Može biti otrovan ako se proguta.

- Pažljivo rukujte baterijama da ne bi došlo do kratkog spoja baterije sa provodničkim materijalima kao što su prstenje, narukvice i ključevi. Baterija ili provodnik se mogu pregrejati i izazvati opekotine.
  - Alati na baterije ne moraju da budu uključeni u utičnicu; oni su stoga uvek u radnom stanju. Budite svesni mogućih opasnosti čak i kada se alat ne koristi. Budite pažljivi kada održavate ili servisirate.
  - Ne perite crevom; izbegavajte ulaženje vode u motor i električne veze.
- ## Održavanje i skladištenje
- Držite sve navrtnje, zavrtnje i vijke zategnutim da biste bili sigurni da je oprema u bezbednom radnom stanju.
  - Zamenite pohabane ili oštećene delove.
  - Ne pokušavajte da popravite mašinu osim ako niste kompetentni za to.
  - Koristite samo rezervne delove i dodatke koje preporučuje proizvođač.
  - Odvojite mašinu od baterije pre vršenja održavanja ili čišćenja.
  - Redovno pregledajte i održavajte mašinu. Popravljajte mašinu samo kod ovlašćenih serviser.
  - Kada je ne koristite, čuvajte mašinu van domašaja dece.
  - Ako dođe do situacija koje nisu obrađene u ovom priručniku, primenjujte oprez i zdravo rasuđivanje. Obratite se EGO servisnom centru za pomoć.
  - Sačuvajte ovo uputstvo. Često ga pregledajte i koristite ga da uputite druge koji mogu da koriste ovaj alat. Ako pozajmite ovaj alat nekom drugom, pozajmite i ovo uputstvo da bi se sprečila pogrešna upotreba proizvoda i eventualna povreda.

## SAČUVAJTE OVO UPUTSTVO

**NAPOMENA: POGLEDAJTE PRIRUČNIK ZA RUKOVAOCA ZA POGONSKU GLAVU RADI DODATNIH SPECIFIČNIH SIGURNOSNIH PRAVILA.**

## SPECIFIKACIJE

Dužina noža	20 cm
Dubina praviljenja ruba	Do 75 mm
Težina	2,26 kg
Radna temperatura	Od -15°C do 40°C
Temperatura skladištenja	Od -20°C do 70°C



Izmereni nivo jačine zvuka $L_{WA}$	92,4 dB(A) K=2,07 dB(A) (PH1400E)	
	90,7 dB(A) K=1,46 dB(A) (PH1420E)	
	90 dB(A) K=1,3 dB(A) (PHX1600)	
Nivo zvučnog pritiska kod uha rukovaoca $L_{PA}$	79,8 dB(A) K=3 dB(A) (PH1400E)	
	81,2 dB(A) K=3 dB(A) (PH1420E)	
	84 dB(A) K=3 dB(A) (PHX1600)	
Garantovan nivo jačine zvuka $L_{WA}$ (prema 2000/14/EC)	95 dB(A)	
Vibracije $a_r$	Prednja pomoćna drška	1,2 m/s <sup>2</sup> K=1,5 m/s <sup>2</sup> (PH1400E)
		1,95 m/s <sup>2</sup> K=1,5 m/s <sup>2</sup> (PH1420E)
		1,6 m/s <sup>2</sup> K=1,5 m/s <sup>2</sup> (PHX1600)
	Zadnja drška	2,2 m/s <sup>2</sup> K=1,5 m/s <sup>2</sup> (PH1400E)
		1,66 m/s <sup>2</sup> K=1,5 m/s <sup>2</sup> (PH1420E)
		1,53 m/s <sup>2</sup> K=1,5 m/s <sup>2</sup> (PHX1600)

- Gornji parametri su testirani i izmereni sa pogonskom glavom PH1400E/PH1420E/PHX1600;
- Deklarisana ukupna vrednost vibracije je izmerena u skladu sa standardnim metodom testiranja i može se koristiti za upoređivanje jednog alata sa drugim;
- Deklarisana ukupna vrednost vibracije može se koristiti i u preliminarnoj proceni izlaganja.

**NAPOMENA:** Emisija vibracija tokom stvarne upotrebe električnog alata može da se razlikuje od deklarisanane

vrednosti u kojoj se alat koristi. Da bi se rukovalac zaštitio, korisnik bi trebalo da nosi rukavice i štitnike za uši u stvarnim uslovima korišćenja.

## POPIS PAKOVANJA

NAZIV DELA	KOLIČINA
Dodatak rubnog trimera	1
Inbus ključ	1
Višenamenski ključ	1
Osigurač	2
Priručnik za rukovaoca	1

## Preporučeni nož

NAZIV DELA	BROJ MODELA
Nož za rubove	AEB0800

## OPIS

### UPOZNAJTE SVOJ DODATAK RUBNOG TRIMERA (slika A)

1. Krajnja kapica
2. Vratilo rubnog trimera
3. Štitnik noža
4. Sečivo
5. Dugme za podešavanje dubine
6. Vodeći točak
7. Inbus ključ
8. Višenamenski ključ
9. Vodilica za podešavanje dubine
10. Poklopac za materijal
11. Osigurač
12. Vijak za zaključavanje vodeće ploče
13. Vodeća ploča

## SKLAPANJE

**⚠ UPOZORENJE:** Ako su neki delovi oštećeni ili nedostaju, nemojte koristiti ovaj proizvod dok delovi ne budu zamenjeni. Korišćenje ovog proizvoda sa oštećenim ili nedostajućim delovima može dovesti do ozbiljnih telesnih povreda.

SR

**⚠ UPOZORENJE:** Ne pokušavajte da modifikujete ovaj proizvod ili da pravite dodatke koji nisu preporučeni za korišćenje sa ovim rubnim trimenom. Svaka takva promena ili modifikacija je zloupotreba i može dovesti do opasnih uslova koji mogu da dovedu do ozbiljnih telesnih povreda.

**⚠ UPOZORENJE:** Da biste sprečili nehotično pokretanje koje bi moglo izazvati ozbiljne telesne povrede, uvek uklonite bateriju iz mašine kada sklapate delove.

**⚠ UPOZORENJE:** Uvek nosite rukavice kad montirate ili zamenjujete štitičnik. Pazite na nož na štitičniku i zaštitite šaku od posekotine.

**⚠ UPOZORENJE:** Nikada ne koristite mašinu bez štitičnika čvrsto na mestu. Štitičnik mora uvek biti na mašini da bi zaštitio korisnika! Kad je štitičnik fiksiran, nikad ne pokušavajte da skinete ili podesite štitičnik; ako je potrebna zamena, nju treba da uradi kvalifikovani servisni tehničar!

## POVEZIVANJE DODATKA RUBNOG TRIMERA NA POGONSKU GLAVU

Ovaj dodatak rubnog trimera je dizajniran za upotrebu sa EGO pogonskom glavom PH1400E/PH1420E/PHX1600 sa litijum-jonskom baterijom od 56 V.

Pogledajte odeljak „**INSTALIRANJE DODATKA NA POGONSKU GLAVU**“ u priručniku za rukovaoca za pogonsku glavu PH1400E/PH1420E/PHX1600.

## RUKOVANJE

**⚠ UPOZORENJE:** Ne dozvolite da zbog poznavanja ovog proizvoda postanete nemarni. Zapamtite da je delić sekunde nepažnje dovoljan da nanese ozbiljnu povredu.

**⚠ UPOZORENJE:** Uvek nosite zaštitne naočare i zaštitu za sluh. Nepridržavanje toga može dovesti do predmeta izbačenih prema očima i drugih ozbiljnih povreda.

### PRIMENA

Možete koristiti ovaj proizvod za svrhu navedenu ispod:

- Pravljenje rubova oko staza, ivičnjaka, cvetnih leja i drugih sličnih mesta.

**NAPOMENA:** Alat treba koristiti samo za propisanu svrhu. Svaka druga upotreba smatra se slučajem zloupotrebe.

**Pre svake upotrebe proverite da li ima oštećenih/ pohabanih delova.**

**SR**

Proverite nož, štitičnik i prednju pomoćnu dršku i zamenite sve delove koji su naprsli, iskiviljeni, savijeni ili na bilo koji način oštećeni.

**⚠ UPOZORENJE:** Da biste sprečili ozbiljne telesne povrede, izvadite bateriju iz alata pre servisiranja, čišćenja, menjanja dodatka ili skidanja materijala sa jedinice.

## KORIŠĆENJE DODATKA RUBNOG TRIMERA SA POGONSKOM GLAVOM

**⚠ UPOZORENJE:** Obucite se prikladno da biste smanjili rizik od povrede dok koristite ovaj alat. Ne nosite labavu odeću ili nakit. Nosite zaštitne naočare i zaštitu uva/sluha. Nosite duge radne pantalone, duboke cipele i rukavice. Ne nosite kratke pantalone, sandale, papuče i ne radite bos. Nosite masku za lice ili masku za prašinu na prašnjavim mestima.

**⚠ UPOZORENJE:** Raščistite sve prepreke i čvrste predmete iz radne površine.

Za bezbedan i bolji rad, stavite remen za rame preko ramena. Podesite remen za rame u udoban radni položaj.

Držite rubni trimen sa desnom rukom na zadnjoj drški a levom rukom na prednjoj pomoćnoj drški. Održavajte čvrst hvat sa obe ruke tokom rukovanja alatom. Rubni trimen treba držati u udobnom položaju sa zadnjom drškom približno u visini kuka (slika B).

**⚠ UPOZORENJE:** Remen za rame ima i mehanizam za brzo otkopčavanje u opasnim situacijama. Kada se desi hitan slučaj, odmah skinite uređaj sa ramena, bez obzira kako je remen namešten.

**Nakon svake upotrebe, očistite rubni trimen.**

Pogledajte odeljak ODRŽAVANJE za uputstva za čišćenje.

## PODEŠAVANJE DUBINE SEČENJA

1. Zaustavite motor i izvadite bateriju.
2. Olabavite dugme za podešavanje dubine u smeru strelice za otključavanje koja se nalazi na dugmetu (slika C).
3. Pomerite vodeći točak duž vodilice za podešavanje dubine, nagore da povećate dubinu sečenja ili nadole da smanjite dubinu (slika D).
4. Podesite vodeći točak tako da nož samo dodiruje zemlju ili ulazi u površinu zemlje ne više od 5 mm (slika E) a zatim ga čvrsto zategnite.
5. Stojeći u normalnom radnom položaju, ponovo proverite dubinu sečenja i ispravite je ako je neophodno.

## ZA POKRETANJE/ZAUSTAVLJANJE ALATA

Pogledajte odeljak „**POKRETANJE/ZAUSTAVLJANJE POGONSKE GLAVE**“ u priručniku za rukovaoca za pogonsku glavu PH1400E/PH1420E/PHX1600.

### SAVETI ZA RUKOVANJE

- Držite i vodite pogonsku glavu tako da nož bude vertikalnan. Koristite liniju vida da biste poravnali nož sa ivicom leje (slika F).
- Radite brzinom ne većom od normalne brzine hoda. Ako nož počne da se zaglavljuje, to znači da radite prebrzo; usporite korak.
- Uvek hodajte unapred kad sečete i pomerajte rubni trimmer unapred. Ne vucite rubni trimmer prema sebi.
- Ne gurajte nož silom u zemlju. Laki kontakt noža sa rubom trotoara, ivičnjaka i sl. je prihvatljiv i neće oštetiti rubni trimmer.
- Najbolji rezultati se postižu kad je trava suva. Izbegavajte pravljenje rubova na mokroj zemlji ili mokrim travnatim površinama jer se štitnik noža može zapušiti i dovesti do neujednačenog ruba. Ako se štitnik noža zapuši, zaustavite motor, izvadite bateriju i uklonite materijal iz štitnika noža.

### ODRŽAVANJE

**UPOZORENJE:** Pre pregledanja, čišćenja ili servisiranja jedinice, zaustavite motor, sačekajte da se svi pokretni delovi zaustave i izvadite bateriju. Nepoštovanje ovih uputstava može izazvati ozbiljne telesne povrede ili oštećenje imovine.

**UPOZORENJE:** Tokom servisiranja, koristite samo identične rezervne delove. Upotreba bilo kakvih drugih delova može da dovede do opasnosti ili da izazove oštećenje proizvoda. Da bi se osigurala sigurnost i pouzdanost, sve popravke, osim stavki navedenih u ovom uputstvu za održavanje, treba da radi kvalifikovani servisni tehničar.

### OPŠTE ODRŽAVANJE

Izbegavajte korišćenje rastvarača kada čistite plastične delove. Većina plastike je podložna oštećenjima od raznih tipova komercijalnih rastvarača i može se oštetiti njihovom upotrebom. Koristite čiste krpe da uklonite zemlju, prašinu, ulje, masnoću itd.

### ČIŠĆENJE JEDINICE

- Posle svake upotrebe, mekom četkom očistite prijavštinu, nagomilanu zemlju ili travu sa noža i štitnika. Obrišite površinu rubnog trimera čistom krpom navlaženom rastvorom blagog sapuna.
- Pomoću male četke ili malog usisivača očistite otvore za vazduh na zadnjoj strani kućišta.

**NAPOMENA:** Ne koristite jake deterdžente na plastičnom kućištu i drški. Mogu ih oštetiti određena aromatična ulja, poput bora i limuna.

### ZAMENA NOŽA

**UPOZORENJE:** Ne pokušavajte da ispravite savijen nož ili zavarite naprslu nož - mogao bi da pukne - mora se zameniti. Preporučuje se zamena isključivo EGO nožem za rubove, pogledajte odeljak „**Preporučeni nož**“.

**NAPOMENA:** Zamenite nož ako njegova dužina više nije dovoljna da bi se održao neophodni zazor od tla i dobila potrebna dubina sečenja.

**UPOZORENJE:** Uvek zaštitite ruke tako što ćete nositi radne rukavice ili umotati nož krpama ili drugim materijalom kad radite bilo kakvo održavanje na nožu za rubove.

### Uklanjanje noža

1. Zaustavite motor i izvadite bateriju.
2. Položite rubni trimmer na zadnju stranu tako da nož bude okrenut nagore.
3. Nosite zaštitne rukavice. Pomoću špicangli (nisu priložene) uklonite osigurač sa vratila motora (slika G).
4. Okrenite nož da biste poravnali prerez na pribornici sa rupom na menjaču brzina (slika G).

Opis delova sa Sl. G pogledajte ispod:

G-1	Osigurač
G-2	Unutrašnja pribornica
G-3	Menjač brzina

5. Stavite priloženi inbus ključ u poravnate rupe da bi ih stabilizovao. Pomoću priloženog višenamenskog ključa olabavite navrtanj **U SMERU KAZALJKE NA SATU** (slika H).
6. Skinite navrtanj, spoljašnju pribornicu, nož i unutrašnju pribornicu sa vratila motora (slika I). Proverite ih i zamenite ako su oštećeni.

Opis delova sa Sl. I pogledajte ispod:

I-1	Vratilo motora	I-5	Sečivo
I-2	Unutrašnja pribornica	I-6	Spoljašnja pribornica
I-3	Prerez u unutrašnjoj pribornici	I-7	Navrtanj
I-4	Izbočina na unutrašnjoj pribornici	I-8	Osigurač

**SR**

## Instaliranje noža

1. Postavite unutrašnju prirubnicu na vratilo motora sa izbočinom okrenutom napolje (slika I).
2. Instalirajte novi nož na unutrašnju prirubnicu, vodeći računa da nož bude čvrsto montiran na svoje mesto (slika J).
3. Montirajte spoljašnju prirubnicu i navrtanj na vratilo i unapred ručno zategnite navrtanj **SUPROTNO KAZALJKI NA SATU**.
4. Pratite korake 4 i 5 iznad u odeljku „Uklanjanje noža“ da biste stabilizovali nož i čvrsto zategnuli navrtanj **SUPROTNO KAZALJKI NA SATU**.
5. Umetnite priloženi novi osigurač u rupu na vratilu motora. Savijte dva kraka osigurača u suprotnim smerovima špicanglama (nisu priložene) (slika G).

## ZAMENA VODEĆEG TOČKA

1. Zaustavite motor i izvadite bateriju.
2. Položite rubni trimmer na zadnju stranu tako da vodeći točak bude okrenut nagore.
3. Olabavite dugme za podešavanje dubine u smeru strelice za otključavanje koja se nalazi na dugmetu i skinite ga.
4. Skinite elastičnu podlošku, običnu podlošku 1, vodeći točak, umetak i običnu podlošku 2 sa navojne šipke (slika K). Proverite ih i zamenite ako su oštećeni.
5. Prvo montirajte navojnu šipku kroz vodilicu za podešavanje dubine, zatim montirajte običnu podlošku 2, umetak i novi točak, potom montirajte običnu podlošku 1, elastičnu podlošku i dugme za podešavanje dubine na navojnu šipku redosledom prikazanim na slici K.

Opis delova sa slike K pogledajte ispod:

K-1	Dugme za podešavanje dubine	K-5	Umetak
K-2	Elastična podloška	K-6	Obična podloška 2
K-3	Obična podloška 1	K-7	Navojna šipka
K-4	Vodeći točak	K-8	Vodilica za podešavanje dubine

**NAPOMENA:** Vodeći točak treba da se montira sa ravnim rebriima okrenutim unutra (slika L).

Opis delova sa slike L pogledajte ispod:

L-1	Vijci	L-3	Poklopac za materijal
L-2	Ravno rebro	L-4	Ploča za fiksiranje

6. Zaključajte dugme za podešavanje dubine.

## ZAMENA POKLOPCA ZA MATERIJAL (slika L)

1. Zaustavite motor i izvadite bateriju.
2. Pomoću priloženog inbus ključa olabavite dva vijka.
3. Uklonite vijke, ploču za fiksiranje i pohabani poklopac za materijal.
4. Zamenite novim poklopcem za materijal i zaključajte ga pomoću ploče za fiksiranje i dva vijka.

## PROVERA I ZAMENA ŠTITNIKA PROTIV HABANJA/ VODEĆE PLOČE (slika M)

Pre pokretanja električnog alata, proverite da li su štitnik protiv habanja i vodeća ploča oštećeni. Štitnik protiv habanja mora se zameniti čim menjač brzina postane vidljiv.

**NAPOMENA:** Menjač brzina se može ozbiljno oštetiti ako ne zamenite štitnik protiv habanja čim menjač brzina postane vidljiv.

1. Zaustavite motor i izvadite bateriju.
2. Nosite zaštitne rukavice. Okrenite nož prema potrebi da biste izložili dva vijka.
3. Pomoću priloženog inbus ključa olabavite dva vijka i uklonite ih.

**NAPOMENA:** Ako treba da zamenite samo vodeću ploču, olabavite i uklonite samo vijak 1.

4. Zamenite deformisani ili pohabani štitnik protiv habanja/vodeću ploču.
5. Montirajte novi štitnik protiv habanja i vodeću ploču na menjač brzina i fiksirajte ih pomoću dva vijka.

Opis delova sa slike M pogledajte ispod:

M-1	Vijak 1	M-4	Štitnik protiv habanja
M-2	Vodeća ploča	M-5	Rupe za montiranje
M-3	Vijak 2	M-6	Menjač brzina

## UKLANJANJE VODEĆE PLOČE

Ako imate iskustva sa ovim tipom rubnog trimera, ili ako nalazite da vam vodeća ploča predstavlja smetnju u pravljenju rubova, možete da uklonite vodeću ploču.

1. Olabavite i uklonite vijak 1.
2. Uklonite vodeću ploču.
3. Vratite i zategnite vijak 1.

## PODMAZIVANJE PRENOSNIH ZUPČANIKA

Prenosni zupčaniци u menjaču brzina treba periodično da se podmazuju mazivom za zupčanike. Proveravajte nivo maziva u menjaču brzina na svakih oko 50 sati rada tako što ćete ukloniti zaptivni vijak na bočnoj strani kućišta.

Ako se mazivo ne vidi na bočnim stranama zupčanika, pratite korake ispod da biste sipali mazivo za zupčanike do 3/4 kapaciteta.

Nemojte potpuno napuniti prenosne zupčanike.

1. Postavite rubni trimmer uspravno tako da zaptivni vijak bude okrenut nagore (slika N).
2. Pomoću priloženog višenamenskog ključa olabavite zaptivni vijak i uklonite ga. Pomoću šprica za mazivo (nije priložen) ubrizgajte malo maziva u rupicu vijka; nemojte prekoračiti 3/4 kapaciteta.
3. Zategnite zaptivni vijak posle ubrizgavanja.

### SKLADIŠTENJE JEDINICE

- Izvadite bateriju iz rubnog trimera.
- Temeljno očistite alat pre no što ga uskladištite.
- Ako dodatak rubnog trimera skidate sa pogonske glave i skladištite zasebno, stavite krajnju kapicu na vratilo dodatka da biste izbegli ulaženje prljavštine u spojnicu.
- Skladištite jedinicu na suvom, dobro provetrenom mestu, zaključanu ili na visini, van domašaja dece. Ne skladištite jedinicu na ili pored đubriva, benzina ili drugih hemikalija.

### Zaštita životne sredine



Ne odlažite električnu opremu, potrošene baterije i punjače u kućni otpad! Odnosite ovaj proizvod u ovlašćeni pogon za reciklažu ili ga odvojite od ostalog smeća radi zasebnog prikupljanja. Električne mašine moraju se odneti u ekološki prihvatljiv pogon za reciklažu.

## REŠAVANJE PROBLEMA

PROBLEM	UZROK	REŠENJE
Motor se ne pokreće.	<ul style="list-style-type: none"> <li>■ Baterija nije spojena na pogonsku glavu.</li> <li>■ Nema električnog kontakta između pogonske glave i baterije.</li> <li>■ Baterija je prazna.</li> <li>■ Dugme za zaključavanje i okidač nisu pritisnuti istovremeno.</li> </ul>	<ul style="list-style-type: none"> <li>■ Spojite bateriju na trimmer.</li> <li>■ Izvadite bateriju, proverite kontakte i ponovo instalirajte bateriju dok ne škljocne na svoje mesto.</li> <li>■ Napunite bateriju EGO punjačima navedenim u ovom priručniku.</li> <li>■ Pritisnite nadole dugme za otključavanje i držite ga, zatim pritisnite okidač da biste uključili pogonsku glavu.</li> </ul>
Pogonska glava se zaustavlja tokom rada.	<ul style="list-style-type: none"> <li>■ Motor je preopterećen.</li> <li>■ Baterija ili pogonska glava su prevrući.</li> <li>■ Baterija se odvojila od alata.</li> <li>■ Baterija je prazna.</li> </ul>	<ul style="list-style-type: none"> <li>■ Motor će se ponovo pokrenuti kad se opterećenje ukloni. Za neprestan rad, smanjite opterećenje na glavu trimera.</li> <li>■ Ostavite bateriju ili pogonsku glavu da se hlade dok temperatura ne padne ispod 67°C.</li> <li>■ Ponovo instalirajte bateriju.</li> <li>■ Napunite bateriju EGO punjačima navedenim u ovom priručniku.</li> </ul>
Neravnomeran rub	<ul style="list-style-type: none"> <li>■ Trava ili zemlja na kojoj pravite rub je suviše mokra.</li> <li>■ Štitnik noža je zapušen.</li> </ul>	<ul style="list-style-type: none"> <li>■ Izbegavajte pravljenje rubova na mokroj zemlji ili mokroj travi.</li> <li>■ Zaustavite motor, izvadite bateriju i uklonite materijal iz štitnika noža.</li> </ul>

## GARANCIJA

### EGO POLITIKA GARANCIJE

Posećite veb-lokaciju [egopowerplus.eu](http://egopowerplus.eu) za potpune uslove i odredbe EGO politike garancije.

## PROČITAJTE UPUTSTVO U CIJELOSTI!



**PROČITAJTE KORISNIČKI PRIRUČNIK.**

**⚠ UPOZORENJE!** Radi osiguranja sigurnosti i pouzdanosti, sve popravke i zamjene treba obavljati kvalifikovani servisni tehničar.

## SIGURNOSNI SIMBOLI

Svrha sigurnosnih simbola je skretanje pažnje na moguće opasnosti. Sigurnosni simboli i njihova objašnjenja zahtijevaju vašu potpunu pažnju i razumijevanje. Sami simboli upozorenja sami po sebi ne isključuju opasnost. Uputstva i upozorenja koja pružaju nisu zamjena za propisne mjere za prevenciju nesreća.

**⚠ UPOZORENJE!** Prije upotrebe ovog alata pobrinite se da sva sigurnosna uputstva u ovom korisničkom priručniku, uključujući sve sigurnosne simbole kao što su “**OPASNOST**”, “**UPOZORENJE**” i “**OPREZ**” pročitate s razumijevanjem. Zanemarivanje svih uputstava navedenih u nastavku može rezultirati strujnim udarom, požarom i/ili teškim tjelesnim povredama.

## ZNAČENJE SIMBOLA

**⚠ SIGURNOSNI SIMBOL UPOZORENJA:** ukazuje na **OPASNOST**, **UPOZORENJE** ili **OPREZ**. Može se upotrebljavati u kombinaciji s drugim simbolima ili piktogramima.



**⚠ UPOZORENJE!** Rukovanje električnim alatima može rezultirati odbacivanjem stranih predmeta u oči, što opet može izazvati teška oštećenja očiju. Prije početka rukovanja električnim alatom, uvijek nosite zatvorene zaštitne naočale ili zaštitne naočale s bočnim štitnicima, a prema potrebi i štitnik za cijelo lice. Preporučujemo nošenje sigurnosne maske proizvođača Wide Vision preko naočala, ili nošenje standardnih zaštitnih naočala s bočnim štitnicima.

## SIGURNOSNA UPUTSTVA

Na ovoj stranici slikovno su prikazani i objašnjeni sigurnosni simboli koji se mogu pojaviti na ovom proizvodu. Prije pokušaja sastavljanja i rukovanja, s razumijevanjem pročitajte sva uputstva na proizvodu i pridržavajte ih se.

	Simbol upozorenja	Ukazuje na potencijalnu opasnost od tjelesnih povreda.
	Pročitajte korisnički priručnik.	Radi smanjenja opasnosti od povreda, prije upotrebe ovog proizvoda korisnik treba s razumijevanjem pročitati ovaj korisnički priručnik.
	Nosite zaštitu za sluh i oči.	Kada upotrebljavate ovaj proizvod, uvijek nosite zaštitu za sluh i zatvorene zaštitne naočale ili zaštitne naočale s bočnim štitnicima i štitnik za cijelo lice.
	Dužina noža obreziivača rubova	Dužina noža obreziivača rubova
	Posmatrač držite na udaljenosti	Razmak između mašine i drugih prisutnih osoba treba biti najmanje 15 m.
	Smjer okretanja noža obreziivača rubova	Ukazuje na smjer okretanja noža obreziivača rubova.
	Odbačeni predmeti	Naslage na obreziivaču rubova mogu negativno utjecati na stabilno držanje. Budite vrlo oprezni kada hodate u području rada obreziivača rubova.
	Nosite sigurnosnu obuću.	Kada upotrebljavate ovu opremu nosite neklizajuću sigurnosnu obuću.
	Rotirajući rezni nož	Ne stavljajte šake ili stopala u blizini ili ispod rotirajućih dijelova.
	Održavajte dovoljnu udaljenost od električnih strujnih vodova.	Radi izbjegavanja strujnog udara nemojte raditi u opsegu od 15 m od nadzemnih električnih vodova. Kontakt sa strujnim vodovima ili upotreba u blizini strujnih vodova može uzrokovati teške povrede ili strujni udar sa smrtnim ishodom.
	Oznaka CE	Ovaj proizvod je u skladu s primjenjivim Direktivama EU.
	UKCA	Ovaj proizvod je u skladu s važećim zakonodavstvom Ujedinjenog Kraljevstva.

	WEEE	Otpadni električni proizvodi ne smiju se odlagati s otpadom iz domaćinstva. Odnesite ih u ovlaštenu centar za reciklažu.
	Buka	Zagarantovani nivo zvučne snage. Emisija buke u okruženju u skladu je s Direktivom Evropske unije.
V	Volt	Napon
mm	Milimetar	Dužina ili dimenzija
cm	Centimetar	Dužina ili dimenzija
kg	Kilogram	Masa
	Istosmjerna struja	Vrsta ili karakteristike struje

## OPĆA SIGURNOSNA UPOZORENJA ZA MAŠINE

**⚠ UPOZORENJE!** Pročitajte sva sigurnosna upozorenja, uputstva, sve ilustracije i specifikacije isporučene s ovom mašinom. Zanemarivanje svih uputstava navedenih u nastavku može rezultirati strujnim udarom, požarom i/ili teškim povredama.

## SAČUVAJTE SVA UPOZORENJA I UPUTSTVA ZA BUDUĆE POTREBE.

Pojam "mašina" u upozorenjima odnosi se na vašu mašinu na strujni pogon (s kabelom) ili mašinu na baterijski pogon (bez kabela).

## SIGURNOST RADNOG PODRUČJA

- Radno područje održavajte čistim i dobro osvijetljenim. Pretrpana ili mračna područja izazivaju nesreće.
- Mašine nemojte upotrebljavati u eksplozivnim atmosferama, kao na primjer u prisutnosti zapaljivih tekućina, plinova ili prašine. Mašine stvaraju iskre koje mogu zapaliti prašinu ili isparenja.
- Djecu i druge prisutne osobe držite podalje tokom rada mašine. Ometanja mogu rezultirati gubitkom kontrole nad uređajem.

## ELEKTRIČNA SIGURNOST

- Utikači mašine moraju odgovarati utičnici. Nemojte modifikovati utikač ni na koji način. Nemojte upotrebljavati utikače adaptera s uzemljenim mašinama. Nemodifikovani utikači i odgovarajuće utičnice umanjit će rizik od strujnog udara.
- Izbjegavajte kontakt tijela s uzemljenim površinama, kao što su slavine, radijatori, peći i frižideri. Postoji

povećan rizik od strujnog udara ako je vaše tijelo uzemljeno.

- Mašinu nemojte upotrebljavati na kiši ili u mokrim uslovima. Ako voda dospje u mašinu, postoji opasnost od strujnog udara ili kvara, što može rezultirati tjelesnim povredama.
- Nemojte nepropisno upotrebljavati kabel. Kabel nemojte nikada upotrebljavati za nošenje, povlačenje ili isključivanje mašine iz strujnog napajanja. Kabel držite podalje od topline, ulja, oštih rubova ili pokretnih dijelova. Oštećeni ili isprepleteni kabeli povećavaju rizik od strujnog udara.
- Kada mašinom radite na otvorenom, upotrebljavajte produžni kabel prikladan za upotrebu na otvorenom. Upotrebom kabela prikladnog za upotrebu na otvorenom smanjuje se rizik od strujnog udara.
- Ako je rad s mašinom u vlažnom području neizbježan, upotrebljavajte napajanje sa zaštitnim uređajem diferencijalne struje (ZUDS). Upotrebom zaštitnog uređaja diferencijalne struje smanjuje se rizik od strujnog udara.

## LIČNA SIGURNOST

- Budite oprezni, gledajte šta radite i koristite se uobičajenim osjećajem kada upotrebljavate mašinu. Nemojte upotrebljavati mašinu kada ste umorni ili pod uticajem opojnih sredstava, alkohola ili lijekova. Trenutak nepažnje tokom rada mašina može rezultirati teškim tjelesnim povredama.
- Upotrebljavajte ličnu zaštitnu opremu. Uvijek nosite zaštitu za oči. Zaštitna oprema poput maske za zaštitu od prašine, neklizajuće sigurnosne obuće, kacige ili zaštitne za sluh upotrijebljena za odgovarajuće uslove smanjit će tjelesne povrede.
- Spriječite nenamjerno pokretanje. Prije spajanja na izvor napajanja i/ili komplet baterija, uzimanja ili nošenja mašine uvjerite se da se prekidač nalazi u isključenom položaju. Nošenje mašina s prstom na prekidaču ili napajanje mašina koje imaju uključen prekidač izaziva nesreće.
- Prije uključivanja mašine uklonite sve ključeve za podešavanje ili nasadne ključeve. Nasadni ključ ili ključ za podešavanje ostavljen pričvršćen na rotacijski dio mašine može rezultirati tjelesnim povredama.
- Nemojte se previše naginjati prema naprijed. Cijelo vrijeme održavajte propisno držanje i ravnotežu. To će omogućiti bolju kontrolu nad mašinom u neočekivanim situacijama.
- Obucite se prikladno. Nemojte nositi široku odjeću ili nakit. Kosu i odjeću uvijek držite podalje od dijelova koji se kreću. Dijelovi koji se kreću mogu



zahvatiti široku odjeću, nakit ili dugu kosu.

- **Ako su uređaji namijenjeni za spajanje sistema za izvlačenje i sakupljanje prašine, pobrinite se da se propisno spoje i upotrebljavaju.** Upotrebom uređaja za sakupljanje prašine mogu se smanjiti opasnosti koje se odnose na prašinu.
- **Nemojte dozvoliti da vas poznavanje mašina stečeno čestom upotrebom učini samodopadnim pa da zanemarite sigurnosne principe za mašinu.** Nemarne radnje u djeliću sekunde mogu rezultirati teškim povredama.

## UPOTREBA I NJEGA MAŠINE

- **Izbjegavajte preveliko opterećenje mašine.** Upotrebljavajte pravilnu mašinu za svoju primjenu. Pravilna mašina bolje će i sigurnije odraditi posao pri brzini za koju je predviđena.
- **Nemojte upotrebljavati mašinu ako se ne uključuje i ne isključuje putem prekidača.** Svaka mašina koja se ne može kontrolisati prekidačem opasna je i potrebno ju je popraviti.
- **Prije obavljanja podešavanja, zamjene dodatne opreme ili skladištenja mašine isključite utikač iz izvora napajanja i/ili komplet baterija iz mašine, ako je odvojitiv.** Takve preventivne sigurnosne mjere smanjuju rizik od iznenadnog pokretanja mašine.
- **Nekorištene mašine skladištite izvan dohvata djece i nemojte dozvoliti da osobe koje ne poznaju mašinu ili ova uputstva upotrebljavaju mašinu.** Mašine su opasne u rukama neobučениh korisnika.
- **Održavajte mašine i dodatnu opremu.** Provjerite jesu li pokretni dijelovi centrirani ili spojeni, ima li polomljenih dijelova i postoji li stanje koje može uticati na rad mašine. Ako je oštećena, mašinu popravite prije upotrebe. Loše održavane mašine uzrok su mnogih nesreća.
- **Rezne mašine održavajte oštroma i čistima.** Propisno održavane rezne mašine s oštirim reznim rubovima manje će se zaglavljivati i lakše su za upravljanje.
- **Mašinu, dodatnu opremu i nastavke mašine, itd., upotrebljavajte u skladu s ovim uputstvima, uzimajući u obzir radne uslove i posao koji je potrebno obaviti.** Upotreba mašine za radove drukčije od namjenskih može rezultirati opasnim situacijama.
- **Rukohvate i površine rukohvata održavajte suhim, čistim i očišćenim od ulja i masti.** Skliski rukohvati i skliske površine rukohvata onemogućuju sigurno rukovanje i upravljanje mašinom u neočekivanim situacijama.

## UPOTREBA I NJEGA AKUMULATORSKIH MAŠINA

- **Punjenje obavljajte samo s punjačem kojeg je naveo proizvođač.** Punjač koji je prikladan za jedan tip kompleta baterija može stvoriti rizik od požara ako ga se upotrebljava s drugim kompletom baterija.
- **Mašine upotrebljavajte samo s izričito navedenim kompletima baterija.** Upotreba drugih kompleta baterija može stvoriti rizik od povreda i požara.
- **Kada se komplet baterija ne upotrebljava, držite ga podalje od drugih metalnih predmeta poput spajalica za papir, kovanica, ključeva, eksera, vijaka ili drugih malih metalnih predmeta koji mogu međusobno spojiti kontakte.** Kratko spajanje baterijskih kontakata može uzrokovati opekotine ili požar.
- **U slučaju pogrešne upotrebe, baterija može izbaciti tekućinu; izbjegavajte kontakt. Ako slučajno dođe do kontakta, odnosno mjesta isperite vodom.** Ako tekućina dođe u kontakt s očima, dodatno potražite pomoć ljekara. Tekućina koju izbaci baterija može uzrokovati nadražaj kože ili opekotine.
- **Nemojte upotrebljavati oštećen ili modifikovan komplet baterija niti oštećenu ili modifikovanu mašinu.** Oštećene ili modifikovane baterije mogu pokazati nepredvidivo ponašanje koje može rezultirati požarom, eksplozijom ili opasnošću od povreda.
- **Komplet baterija ili mašinu nemojte izlagati vatri ili previsokoj temperaturi.** Izlaganje vatri ili temperaturi višoj od 130 °C može uzrokovati eksploziju.
- **Pridržavajte se svih uputstava za punjenje i komplet baterija ili mašinu nemojte puniti izvan okvira opsega temperature navedenog u uputstvima.** Nepropisno punjenje ili punjenje pri temperaturama izvan okvira određenog opsega može oštetiti bateriju i povećati opasnost od požara.

## VAŽNA SIGURNOSNA UPUTSTVA

**⚠ UPOZORENJE!** Pri upotrebi električnih vrtnih uređaja potrebno je uvijek pridržavati se osnovnih mjera opreza radi izbjegavanja opasnosti od požara, strujnog udara i tjelesnih povreda uključujući sljedeće:

## PAŽLJIVO PROČITAJTE PRIJE UPOTREBE.

## SAČUVAJTE ZA BUDUĆE POTREBE.

**⚠ OPASNOST!** Nemojte se pouzdati u izolaciju alata od strujnog udara. Radi smanjenja rizika od strujnog udara uređaj nemojte nikada upotrebljavati u blizini žica ili kabela (napajanje i sl.) koji provode struju.

**⚠ OPREZ!** Tokom upotrebe nosite odgovarajuću ličnu zaštitu za sluh. U određenim okolnostima i trajanju

BS

upotrebe buka koju stvara ovaj proizvod može pridonijeti gubitku sluha.

## Obuka

- Pažljivo pročitajte uputstvo. Upoznajte se s upravljačkim elementima i propisnom upotrebom opreme.
- Nemojte nikada dozvoliti da djeca ili osobe koje nisu pročitale ova uputstva upotrebljavaju obrezivač rubova. Lokalni propisi mogu ograničavati starosnu dob rukovaoca.
- Obrezivač rubova nemojte nikada upotrebljavati kada se u blizini nalaze osobe, a posebno djeca ili kućni ljubimci.
- Napominjemo da je rukovalac ili korisnik odgovoran za nesreće ili opasnosti za druge osobe ili njihovu imovinu.

## Priprema

- Tokom upotrebe obrezivača rubova uvijek nosite zaštitu za oči i uši, odgovarajuću obuću i dugačke hlače.
- Detaljno pregledajte područje na kojem ćete upotrebljavati opremu i uklonite sve kamenje, štapove, žice, kosti i druge strane predmete.
- Prije upotrebe uvijek vizuelno provjerite da li su noževi, vijak noža i rezni sklopovi istrošeni ili oštećeni. Zamijenite istrošene ili oštećene noževe i vijke u kompletima radi održavanja ravnoteže.

## Rad

- Obrezivač rubova upotrebljavajte samo na dnevnom svjetlu ili pri dobrom umjetnom osvijetljenju.
- Uvijek osigurajte dobro uporište na nagibima.
- Hodajte, nemojte nikada trčati.
- Budite vrlo oprezni kada obrezivač rubova okrećete ili povlačite prema sebi.
- Uvjerite se da se nož zaustavio prije prelaska preko površina koje nisu trava i kada obrezivač rubova prevožite na područje koje je potrebno urediti i nazad.
- Obrezivač rubova nemojte nikada upotrebljavati s neispravnim štitnicima, ako štitnici nedostaju ili ako su nepravilno postavljeni.
- Nemojte mijenjati postavke regulatora broja okretaja motora ili nemojte nikada pogoniti motor pri prevelikom broju okretaja.
- Pažljivo pokrenite prekidač na motoru u skladu s uputstvima i sa stopalima dobro odmaknutim od noža(eva).
- Pri uključivanju motora nemojte naginjati obrezivač rubova, osim ako ga je potrebno nagnuti radi pokretanja. U tom slučaju uređaj nemojte naginjati više nego što je potrebno i podignite samo onaj dio koji je podalje od rukovaoca.

- Nemojte pokretati motor kada druge prisutne osobe stoje ispred noža(eva).
- Ne stavljajte šake ili stopala u blizini ili ispod rotirajućih dijelova.
- Motor uvijek isključite i odvojite od baterije:
  - 1) Prije čišćenja blokada;
  - 2) Prije provjere, čišćenja ili rada na nožu(evima);
  - 3) Nakon udaranja o strani predmet: pregledajte je li nož/jesu li noževi oštećeni i obavite popravke prije ponovnog pokretanja i rukovanja obrezivačem rubova;
  - 4) Ako obrezivač rubova počne da neobičajeno vibrira (odmah obavite provjeru).
- Zaustavite motor uvijek kada ostavljate obrezivač trave;
- Komplet baterija nemojte puniti na kiši ili na mokrim mjestima.
- Upotrebljavajte samo s kompletima baterija i punjačima koji su navedeni na sl. A.
- Komplet baterija je potrebno izvaditi iz uređaja prije odlaganja u otpad.
- Bateriju je potrebno odložiti u otpad na siguran način.
- Nemojte odlagati bateriju u vatru. Čelije mogu eksplodirati. Za uputstva o mogućem posebnom odlaganju obratite se lokalnim službama.
- Nemojte otvarati i razdvajati bateriju. Oslobođeni elektrolit je korozivan i može oštetiti oči ili kožu. U slučaju gutanja može biti otrovan.
- Budite oprezni pri rukovanju baterijama kako biste izbjegli kratko spajanje baterije s vodljivim materijalima, kao što su prsteni, narukvice i ključevi. Baterija ili provodnik mogu se pregrijati i uzrokovati opekotine.
- Baterijske alate nije potrebno uključivati u električnu utičnicu, stoga su uvijek u radnom stanju. Imajte na umu moguće opasnosti čak i kada alat ne radi. Budite oprezni pri obavljanju radova održavanja ili servisiranja.
- Uređaj nemojte prati crijevom; izbjegavajte da voda dospije u motor i električne priključke.

## Održavanje i skladištenje

- Sve matice, svornjake i vijke održavajte pritegnutima radi osiguravanja sigurnog radnog stanja opreme.
- Zamijenite istrošene ili oštećene dijelove.
- Nemojte pokušavati popravljati uređaj, osim ako ste kompetentni za takvu vrstu posla.
- Upotrebljavajte samo zamjenske dijelove i pribor koje je preporučio proizvođač.
- Prije obavljanja radova održavanja ili čišćenja, odvojite uređaj od baterije.

- Redovno obavljajte pregled i održavanje uređaja. Popravak proizvoda prepustite samo ovlaštenom osoblju za popravak.
- Kada ga ne upotrebljavate, uređaj skladištite izvan dohvata djece.
- Ako se pojave situacije koje nisu obuhvaćene ovim priručnikom, postupite oprezno i uz dobru procjenu. Za pomoć se obratite servisnom centru proizvođača EGO.
- Sačuvajte ova uputstva. Uputstvima se koristite često i koristite ih za upućivanje drugih osoba koje mogu koristiti ovaj alat. Ako ovaj alat nekom posudite, priložite i ovo uputstvo radi sprečavanja nepropisne upotrebe proizvoda i mogućih povreda.

#### SAČUVAJTE OVA UPUTSTVA!

**NAPOMENA! ZA DODATNE POSEBNE SIGURNOSNE PROPISE POGLEDAJTE KORISNIČKI PRIRUČNIK POGONSKE JEDINICE.**

### TEHNIČKI PODACI

Dužina noža	20 cm
Dubina obrezivanja rubova	Do 75 mm
Masa	2,26 kg
Radna temperatura	-15°C - 40°C
Temperatura skladištenja	-20°C - 70°C
Izmjereni nivo zvučne snage $L_{WA}$	92,4 dB(A) K=2,07 dB(A) (PH1400E)
	90,7 dB(A) K=1,46 dB(A) (PH1420E)
	90 dB(A) K=1,3 dB(A) (PHX1600)
Nivo zvučnog pritiska kod uha rukovaoca $L_{PA}$	79,8 dB(A) K=3 dB(A) (PH1400E)
	81,2 dB(A) K=3 dB(A) (PH1420E)
	84 dB(A) K=3 dB(A) (PHX1600)

Zagarantovani nivo zvučne snage $L_{WA}$ (u skladu sa Direktivom 2000/14/EZ)		95 dB(A)
Vibracije $a_h$	Prednji pomoćni rukohvat	1,2 m/s <sup>2</sup> K=1,5 m/s <sup>2</sup> (PH1400E)
		1,95 m/s <sup>2</sup> K=1,5 m/s <sup>2</sup> (PH1420E)
		1,6 m/s <sup>2</sup> K=1,5 m/s <sup>2</sup> (PHX1600)
	Stražnji rukohvat	2,2 m/s <sup>2</sup> K=1,5 m/s <sup>2</sup> (PH1400E)
		1,66 m/s <sup>2</sup> K=1,5 m/s <sup>2</sup> (PH1420E)
		1,53 m/s <sup>2</sup> K=1,5 m/s <sup>2</sup> (PHX1600)

- Gore navedeni parametri ispitani su i izmjereni za uređaj opremljen pogonskom jedinicom PH1400E/PH1420E/PHX1600.
- Deklarisane ukupne vrijednosti vibracija izmjerene su u skladu sa standardnom metodom ispitivanja i mogu se primjenjivati za poređenje jednog alata sa drugim.
- Deklarisane ukupne vrijednosti vibracija mogu se primjenjivati i u preliminarnoj procjeni izloženosti.

**NAPOMENA!** Emisija vibracija tokom aktuelne upotrebe električnog alata može se razlikovati od deklarisanе vrijednosti u kojoj se alat upotrebljavao; Korisnik radi zaštite treba nositi rukavice i štitnike za uši u aktuelnim uslovima upotrebe.

### LISTA PAKOVANJA

NAZIV DIJELA	KOLIČINA
Priključak obrezivača rubova	1
Inbus ključ	1
Višefunkcijski ključ	1
Rascjepka	2
Korisnički priručnik	1

## Preporučeni nož

NAZIV DIJELA	BROJ MODELA
Nož obrezivača rubova	AEB0800

## OPIS

### UPOZNAJTE SVOJ PRIKLJUČAK OBREZIVAČA RUBOVA (sl. A)

1. Krajnja kapica
2. Drška obrezivača rubova
3. Štitnik noža
4. Nož
5. Okretno dugme za podešavanje dubine
6. Vodeći točak
7. Inbus ključ
8. Višefunkcijski ključ
9. Vodičica za podešavanje dubine
10. Preklop za zaštitu od naslaga
11. Rascjepka
12. Vijak za blokadu vodičice
13. Vodeća pločica

## SASTAVLJANJE

**⚠ UPOZORENJE!** Ako je bilo koji dio oštećen ili ako nedostaje, nemojte upotrebljavati ovaj proizvod dok ne zamijenite dijelove. Upotreba ovog proizvoda oštećenih dijelova ili dijelova koji nedostaju može rezultirati teškim tjelesnim povredama.

**⚠ UPOZORENJE!** Nemojte pokušavati da modifikujete ovaj proizvod ili da pravite pribor koji nije preporučen za upotrebu s ovim obrezivačem rubova. Sve takve izmjene ili modifikacije predstavljaju nepropisnu potrebu i mogu rezultirati opasnim stanjima koja mogu dovesti do mogućih teških tjelesnih povreda.

**⚠ UPOZORENJE!** Radi sprečavanja iznenadnog pokretanja koje može uzrokovati teške tjelesne povrede, uvijek izvadite komplet baterija iz mašine kada sastavljate dijelove.

**⚠ UPOZORENJE!** Pri postavljanju štitnika ili zamjeni štitnika uvijek nosite rukavice. Pazite na nož na štitniku i zaštitite ruke od posjekotina.

**⚠ UPOZORENJE!** Mašinu nemojte nikada upotrebljavati bez čvrsto postavljenog štitnika. Štitnik uvijek mora biti na mašini radi zaštite korisnika! Kada je štitnik pričvršćen,

nemojte nikada pokušavati da ga uklanjate ili podešavate. Ako je potrebna zamjena, treba je obaviti kvalifikovani servisni tehničar!

### PRIKLJUČIVANJE PRIKLJUČKA OBREZIVAČA RUBOVA NA POGONSKU JEDINICU

Ovaj priključak obrezivača rubova predviđen je za upotrebu s pogonskom jedinicom s litij-ionskom baterijom PH1400E/PH1420E/PHX1600 od 56 V proizvođača EGO.

Pogledajte poglavlje "POSTAVLJANJE PRIKLJUČKA NA POGONSKU JEDINICU" u korisničkom priručniku pogonske jedinice PH1400E/PH1420E/PHX1600.

## RAD

**⚠ UPOZORENJE!** Nemojte dozvoliti da vas poznavanje ovog proizvoda učini nepažljivim. Imajte na umu da je za nanošenje teških povreda dovoljan samo djelić sekunde nepažnje.

**⚠ UPOZORENJE!** Uvijek nosite zaštitu za oči, zajedno sa zaštitom za sluh. Nepostupanje u skladu s tim može rezultirati odbacivanjem predmeta u oči i drugim mogućim teškim povredama.

## PRIMJENE

Ovaj proizvod možete upotrebljavati za svrhe navedene u nastavku:

- obrezivanje rubova oko staza, pločnika, cvjetnih gredica i sličnih područja.

**NAPOMENA!** Alat se smije upotrebljavati samo za prethodno opisanu namjenu. Svaka druga upotreba smatra se nepropisnom upotrebom.

### Prije svake upotrebe provjerite ima li oštećenih/istrošenih dijelova.

Provjerite nož, štitnik i prednji pomoćni rukohvat i zamijenite dijelove koji su napukli, deformisani, savijeni ili oštećeni na bilo koji način.

**⚠ UPOZORENJE!** Radi sprečavanja teških tjelesnih povreda, prije servisiranja, čišćenja, promjene priključaka ili uklanjanja materijala iz jedinice izvadite komplet baterija iz alata.

### UPOTREBA PRIKLJUČKA OBREZIVAČA RUBOVA S POGONSKOM JEDINICOM

**⚠ UPOZORENJE!** Obucite se propisno kako biste smanjili rizik od povreda tokom rukovanja alatom. Nemojte nositi široku odjeću ili nakit. Nosite zaštitu za oči i uši/sluh. Nosite robusne duge hlače, čizme i rukavice. Nemojte

nositi kratke hlače, sandale ili biti bosonogi. U prašnjavim područjima nosite zaštitnu masku za lice ili masku za zaštitu od prašine.

**⚠ UPOZORENJE!** Očistite sve prepreke i krute predmete iz radnog područja.

Radi sigurnog i boljeg rada stavite ramenu traku preko ramena. Podesite ramenu traku u položaj ugodan za rad. Obrezaivač rubova držite desnom rukom za stražnji rukohvat, a lijevom rukom za prednji pomoćni rukohvat. Tokom rukovanja alatom rukohvate čvrsto primite objema rukama. Obrezaivač rubova potrebno je držati u ugodnom položaju sa stražnjim rukohvatom u visini kuka (sl. B).

**⚠ UPOZORENJE!** Ramena traka je i mehanizam za brzo otpuštanje u opasnim situacijama. U slučaju nužde ramenu traku odmah skinite s ramena, bez obzira na način na koji je stavljena.

#### Čistite obrezaivač rubova nakon svake upotrebe.

Za uputstva za čišćenje pogledajte poglavlje ODRŽAVANJE.

#### PODEŠAVANJE DUBINE REZA

1. Zaustavite motor i izvadite komplet baterija.
2. Otpustite okretno dugme za podešavanje dubine u smjeru strelice za deblokadu označene na okretnom dugmetu (sl. C).
3. Za povećavanje dubine reza pomaknite vodeći točak duž vodilice za podešavanje dubine prema gore ili za smanjivanje dubine prema dolje (sl. D).
4. Vodeći točak podesite tako da nož skoro dodiruje tlo ili lomi površinu tla ne više od 5 mm (sl. E), a zatim ga dobro pritegnite.
5. Stojeći u normalnom radnom položaju ponovo provjerite dubinu reza i prema potrebi je korigujte.

#### POKRETANJE/ZAUSTAVLJANJE ALATA

Pogledajte poglavlje "POKRETANJE/ZAUSTAVLJANJE POGONSKE JEDINICE" u korisničkom priručniku pogonske jedinice PH1400E/PH1420E/PHX1600.

#### SAVJETI ZA RAD

- Pogonsku jedinicu držite i vodite tako da nož bude u okomitom položaju. Za izravnanje noža s rubom gredice upotrebljavajte liniju za označavanje (sl. F).
- Nemojte raditi brže od normalne brzine koraka. Ako nož počne zastajati, režete prebrzo; usporite korak.
- Prilikom obrezivanja uvijek se krećite prema naprijed i obrezaivač rubova pomjerajte prema naprijed. Obrezaivač rubova nemojte povlačiti prema sebi.

- Nemojte potiskivati nož u tlo. Lagani kontakt noža s rubom staze, pločnika i sl. prihvatljiv je i neće oštetiti obrezaivač rubova.
- Najbolji rezultati dobivaju se kada je trava suha. Izbjegavajte rad u područjima s vlažnim tlom ili vlažnom travom jer štitnik noža u suprotnom se može začeptiti, što može rezultirati neravnim rubom. Ako se štitnik noža začepti, zaustavite motor, izvadite komplet baterija i uklonite nakupine sa štitnika noža.

#### ODRŽAVANJE

**⚠ UPOZORENJE!** Prije pregleda, čišćenja ili servisiranja jedinice, zaustavite motor, pričekajte da se svi pokretni dijelovi zaustave i izvadite komplet baterija. Nepostupanje prema ovim uputstvima može rezultirati teškim povredama ili materijalnom štetom.

**⚠ UPOZORENJE!** Kada obavljate radove servisiranja, upotrebljavajte samo identične zamjenske dijelove. Upotreba drugih dijelova može uzrokovati opasnost ili oštećenje proizvoda. Radi osiguranja sigurnosti i pouzdanosti, sve popravke drukčije od navedenih u ovim uputstvima za održavanje treba obavljati kvalifikovani servisni tehničar.

#### OSNOVNO ODRŽAVANJE

Kada čistite plastične dijelove, izbjegavajte upotrebljavati rastvore. Mnoge plastike mogu se oštetiti različitim vrstama komercijalnih rastvora i mogu se oštetiti njihovom upotrebom. Za uklanjanje prljavštine, prašine, ulja, masti i sl. upotrebljavajte čiste krpe.

#### ČIŠĆENJE JEDINICE

- Nakon svake upotrebe mekanom četkom očistite naslage, začepljenja od zemlje ili trave na nožu i štitniku. Površinu obrezaivača rubova obrišite čistom krpom navlaženom u blagoj sapunici.
- Za čišćenje zračnih ventilacijskih otvora na stražnjem kućištu upotrebljavajte malu četku ili mali usisivač.

**NAPOMENA!** Za čišćenje plastičnog kućišta ili rukohvata nemojte upotrebljavati jake deterdžente jer mogu ih oštetiti neka aromatična ulja, kao što su borovo i limunovo ulje.

#### ZAMJENA NOŽA

**⚠ UPOZORENJE!** Nemojte pokušavati ravnati ili zavarivati savijeni ili napuknuti nož jer može puknuti. Nož je potrebno zamijeniti. Preporučujemo da nož zamijenite samo nožem za obrezaivač rubova proizvođača EGO. Pogledajte poglavlje "Preporučeni nož".

**⚠ NAPOMENA!** Nož zamijenite ako njegova dužina više nije dovoljna za održavanje potrebnog razmaka od tla i potrebnu dubinu reza.

**⚠ UPOZORENJE!** Pri obavljanju radova održavanja na nožu obreziivača rubova uvijek zaštitite ruke nošenjem rukavica za teške uslove rada ili oмотajte nož krpama ili drugim materijalom.

## Skidanje noža

1. Zaustavite motor i izvadite komplet baterija.
2. Položite obreziivač rubova na stražnju stranu tako da nož bude okrenut prema gore.
3. Nosite zaštitne rukavice. Za uklanjanje rascjepke iz osovine motora upotrebite šiljasta kliješta (nisu u sadržaju isporuke) (sl. G).
4. Zarotirajte nož da poravnate utor u prirubnici s otvorom u kućištu prijenosnika (sl. G).

Opis dijelova na sl. G pogledajte u nastavku:

G-1	Rascjepka
G-2	Unutrašnja prirubnica
G-3	Kućište prijenosnika

5. Umetnite inbus ključ u poravnate otvore kako bi djelovao kao stabilizator. Za otpuštanje matice **U SMJERU KRETANJA KAZALJKI NA SATU** upotrijebite isporučeni višefunkcijski ključ (sl. H).
6. Sa osovine motora uklonite maticu, vanjsku prirubnicu, nož i unutrašnju prirubnicu (sl. I). Pregledajte ih zamijenite ako su istrošeni.

Opis dijelova na sl. I pogledajte u nastavku:

I-1	Osovina motora	I-5	Nož
I-2	Unutrašnja prirubnica	I-6	Vanjska prirubnica
I-3	Utor u unutrašnjoj prirubnici	I-7	Matica
I-4	Izbočina na unutrašnjoj prirubnici	I-8	Rascjepka

## Postavljanje noža

1. Stavite unutrašnju prirubnicu na osovinu motora izbočinom okrenutom prema van (sl. I).
2. Na unutrašnju prirubnicu postavite novi nož i uvjerite se da je dobro postavljen u svoje ležište (sl. J).
3. Na osovinu postavite vanjsku prirubnicu i maticu i rukom pritegnite maticu u **SMJERU SUPROTNOM SMJERU KRETANJA KAZALJKI NA SATU**.
4. Za stabilizaciju noža radi dobrog pritezanja matice u **SMJERU SUPROTNOM SMJERU KRETANJA KAZALJKI NA SATU**, pratite gore navedene korake 4 i 5 u poglavlju "Skidanje noža".

5. U provrt na osovinu motora umetnite novu isporučenu rascjepku. Šiljatim kliještima (nisu u sadržaju isporuke) savijte obje nožice rascjepke u suprotnim smjerovima (sl. G).

## ZAMJENA VODEĆEG TOČKA

1. Zaustavite motor i izvadite komplet baterija.
2. Položite obreziivač rubova na stražnju stranu tako da vodeći točak bude okrenut prema gore.
3. Otpustite okretno dugme za podešavanje dubine u smjeru strelice za deblokadu označene na okretnom dugmetu i uklonite ga.
4. Uklonite opružnu podlošku, ravnu podlošku 1, vodeći točak, čahuru i ravnu podlošku 2 s tijela vijka (sl. K). Pregledajte ih zamijenite ako su istrošeni.
5. Najprije stavite tijelo vijka kroz vodilicu za podešavanje dubine, a zatim stavite ravnu podlošku 2, čahuru i novi točak i na tijelo vijka stavite ravnu podlošku 1, opružnu podlošku i okretno dugme za podešavanje dubine redoslijedom prikazanim na sl. K. Opis dijelova na sl. K pogledajte u nastavku:

K-1	Okretno dugme za podešavanje dubine	K-5	Čahura
K-2	Opružna podloška	K-6	Ravna podloška 2
K-3	Ravna podloška 1	K-7	Tijelo vijka
K-4	Vodeći točak	K-8	Vodilica za podešavanje dubine

**NAPOMENA!** Vodeći kotač je potrebno postaviti ravnim rebrima okrenutim prema unutra (sl. L).

Opis dijelova na sl. L pogledajte u nastavku:

L-1	Vijci	L-3	Preklop za zaštitu od naslaga
L-2	Ravno rebro	L-4	Pričvrstna ploča

6. Pritegnite okretno dugme za podešavanje dubine.

## ZAMJENA PREKLOPA ZA ZAŠTITU OD NASLAGA (sl. L)

1. Zaustavite motor i izvadite komplet baterija.
2. Za otpuštanje dvaju vijaka upotrijebite isporučeni inbus ključ.
3. Uklonite vijke, pričvrstnu ploču i istrošeni preklop za zaštitu od naslaga.
4. Stavite novi preklop za zaštitu od naslaga i pričvrstite ga s pričvrstnom pločom i dva vijka.

## PROVJERA I ZAMJENA ŠTITNIKA ZA ZAŠTITU OD HABANJA/VODEĆE PLOČE (sl. M)

Prije pokretanja električnog alata provjerite jesu li štitnik za zaštitu od habanja i vodeća ploča oštećeni. Štitnik za zaštitu od habanja potrebno je zamijeniti čim kućište prijenosnika postane vidljivo.

**NAPOMENA!** Kućište prijenosnika može se teško oštetiti ako se štitnik za zaštitu od habanja ne zamijeni čim kućište prijenosnika postane vidljivo.

1. Zaustavite motor i izvadite komplet baterija.
2. Nosite zaštitne rukavice. Prema potrebi zarotirajte nož da oslobodite dva vijaka.
3. Za otpuštanje i uklanjanje dvaju vijaka upotrijebite isporučeni inbus ključ.

**NAPOMENA!** Ako trebate zamijeniti samo vodeću pločicu, otpustite i uklonite samo vijak 1.

4. Zamijenite izobličeni ili istrošeni štitnik za zaštitu od habanja/izobličenu ili istrošenu vodeću pločicu.
5. Novi štitnik za zaštitu od habanja i vodeću pločicu montirajte na kućište prijenosnika i pritegnite ih s dva vijaka.

Opis dijelova na sl. M pogledajte u nastavku:

M-1	Vijak 1	M-4	Štitnik za zaštitu od habanja
M-2	Vodeća pločica	M-5	Montažni provrti
M-3	Vijak 2	M-6	Kućište prijenosnika

## SKIDANJE VODEĆE PLOČICE

Ako imate iskustva u radu s ovim tipom obrezivača rubova ili ako smatrate da je vodeća pločica prepreka u radu, možete je skinuti.

1. Otpustite i uklonite vijak 1.
2. Skinite vodeću pločicu.
3. Vratite i pritegnite vijak 1.

## PODMAZIVANJE PRIJENOSNIKA

Prijenosnike u kućištu potrebno je povremeno podmazivati mašću za prijenosnike. Nivo masti u kućištu prijenosnika provjeravajte svakih 50 radnih sati uklanjanjem brtvenog vijka na strani kućišta.

Ako se na bočnim stranama prijenosnika ne vidi mast, za punjenje s mašću za prijenosnike do 3/4 zapremine pratite korake u nastavku.

Prijenosnik nemojte puniti u cijelosti.

1. Obrezivač rubova stavite u okomit položaj tako da brtveni vijak bude okrenut prema gore (sl. N).
2. Za otpuštanje i uklanjanje brtvenog vijka upotrijebite isporučeni višefunkcijski ključ. Za ubrizgavanje masti u provrt za vijke upotrebljavajte mazalicu (nije u sadržaju isporuke); nemojte prekoračivati 3/4 zapremine.
3. Brtveni vijak pritegnite nakon ubrizgavanja.

## SKLADIŠTENJE JEDINICE

- Izvadite komplet baterija iz obrezivača rubova.
- Alat dobro očistite prije skladištenja.
- Ako se priključak obrezivača rubova uklanja s pogonske jedinice i zasebno skladišti, na dršku priključka stavite krajnju kapicu kako biste izbjegli da nečistoća dospije u spojku.
- Jedinicu skladištite na suhom, dobro prozračenom mjestu koje je moguće zaključati ili koje je na visini van dohvata djece. Jedinicu nemojte skladištiti na gnojivima, benzinu ili drugim hemikalijama ili u njihovoj blizini.

## Zaštita životne sredine



Električnu opremu, iskorištenu bateriju i punjač ne odlažite u kućni otpad! Ovaj proizvod odnesite u ovlašteni centar za reciklažu i time omogućite odvojeno sakupljanje. Električne mašine je potrebno vratiti u ekološki prihvatljiv pogon za reciklažu.

## OTKLANJANJE PROBLEMA

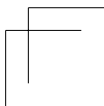
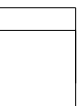
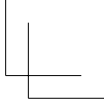
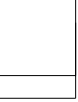
PROBLEM	UZROK	RJEŠENJE
Motor se ne pokreće.	<ul style="list-style-type: none"> <li>■ Komplet baterija nije pričvršćen na pogonsku jedinicu.</li> <li>■ Nema električnog kontakta između pogonske jedinice i kompleta baterija.</li> <li>■ Komplet baterija je ispražnjen.</li> <li>■ Dugme za deblokadu i okidač ne pritišću se istovremeno.</li> </ul>	<ul style="list-style-type: none"> <li>■ Pričvrstite komplet baterija na pogonsku jedinicu.</li> <li>■ Izvadite bateriju, provjerite kontakte i ponovo stavite komplet baterija tako da zvučno ulegne.</li> <li>■ Komplet baterija punite punjačima proizvođača EGO koji su navedeni u ovom priručniku.</li> <li>■ Pritisnite dugme za deblokadu i držite ga pritisnutim, a zatim pritisnite okidač da uključite pogonsku jedinicu.</li> </ul>
Pogonska jedinica se zaustavlja tokom rada.	<ul style="list-style-type: none"> <li>■ Motor je preopterećen.</li> <li>■ Komplet baterija je previše vruć ili je pogonska jedinica previše vruća.</li> <li>■ Komplet baterija je odspojen od alata.</li> <li>■ Komplet baterija je ispražnjen.</li> </ul>	<ul style="list-style-type: none"> <li>■ Motor će se vratiti po uklanjanju opterećenja. Za kontinuirani rad smanjite opterećenje na pogonsku jedinicu.</li> <li>■ Pričekajte da se komplet baterija ili pogonska jedinica ohlade na temperaturu ispod 67°C.</li> <li>■ Ponovo stavite komplet baterija.</li> <li>■ Komplet baterija punite punjačima proizvođača EGO koji su navedeni u ovom priručniku.</li> </ul>
Neravan rub	<ul style="list-style-type: none"> <li>■ Pokošena trava ili tlo je previše mokra/o.</li> <li>■ Štitnik noža je začepljen.</li> </ul>	<ul style="list-style-type: none"> <li>■ Obrezivač rubova izbjegavajte upotrebljavati u područjima s mokrim tlom ili mokrom travom.</li> <li>■ Zaustavite motor, izvadite komplet baterija i uklonite nakupine sa štitnika noža.</li> </ul>

## GARANCIJA

### POLITIKA GARANCIJE PROIZVOĐAČA EGO

Za sve odredbe i uslove politike garancije proizvođača EGO posjetite internetsku stranicu [egopowerplus.eu](http://egopowerplus.eu).





## استكشاف الأعطال وإصلاحها

المشكلة	السبب	الحل
لا يمكن بدء تشغيل المحرك.	<ul style="list-style-type: none"> <li>مجموعة البطارية غير مركبة في رأس الآلة العاملة بالطاقة.</li> <li>لا يوجد اتصال كهربائي بين رأس الطاقة ومجموعة البطارية.</li> <li>نقد شحن مجموعة البطارية.</li> <li>لم يتم الضغط على زر القفل والزناد بشكل متزامن.</li> </ul>	<ul style="list-style-type: none"> <li>قم بتركيب مجموعة البطارية في رأس الطاقة.</li> <li>اخلع البطارية، وافحص التوصيلات، ثم أعد تركيب مجموعة البطارية، إلى أن تنتشك في مكانها.</li> <li>اشحن مجموعة البطارية بشواحن EGO المدرجة في هذا الدليل.</li> <li>اضغط لأسفل مع التثبيت على زر القفل، ثم اضغط مع التثبيت على الزناد لتشغيل رأس الطاقة.</li> </ul>
رأس الطاقة يتوقف عن العمل أثناء التشغيل.	<ul style="list-style-type: none"> <li>هناك حمل زائد على المحرك.</li> <li>مجموعة البطارية أو رأس الطاقة ساخنان للغاية.</li> <li>مجموعة البطارية مفصولة من الآلة.</li> <li>نقد شحن مجموعة البطارية.</li> </ul>	<ul style="list-style-type: none"> <li>سيعاود المحرك العمل عند التخلص من الحمل الواقع عليه. للتشغيل المتواصل، قلل الحمل عن رأس الطاقة.</li> <li>اترك مجموعة البطارية أو رأس الطاقة يبردان إلى أن تهبط درجة حرارتهم إلى ما دون 67 درجة مئوية.</li> <li>أعد تركيب مجموعة البطارية.</li> <li>اشحن مجموعة البطارية بشواحن EGO المدرجة في هذا الدليل.</li> </ul>
حواف غير متساوية	<ul style="list-style-type: none"> <li>الحشائش أو التربة التي ترغب في تسوية حوافها مبللة للغاية.</li> <li>هناك انسداد في وافي الشفرة.</li> </ul>	<ul style="list-style-type: none"> <li>تجنب تسوية الحواف في التربة أو الحشائش الرطبة.</li> <li>قم بإيقاف المحرك، واخلع مجموعة البطارية، وأزل العوائق من وافي الشفرة.</li> </ul>

## الضمان

سياسة ضمان EGO

تفضل بزيارة الموقع الإلكتروني [egopowerplus.eu](http://egopowerplus.eu) للتعرف على الشروط والأحكام الكاملة الخاصة بسياسة ضمان EGO.

- اخلع مجموعة البطارية من ملحق تسوية الحواف.
- نظف الآلة جيداً قبل تخزينها.
- إذا كان ملحق تسوية الحواف مخلوفاً من رأس الطاقة ومخزناً بشكل منفصل، قم بتركيب الغطاء الخارجي على عمود الملحق لتجنب دخول الأوساخ إلى الوصلة.
- خزن الوحدة في منطقة جافة جيدة التهوية، بحيث يكون في مكان مقفل أو عالٍ عن سطح الأرض بعيداً عن متناول أيدي الأطفال. لا تقم بتخزين الوحدة على الأسمدة أو البنزين أو المواد الكيميائية الأخرى، أو بجوارها.

## حماية البيئة

لا تتخلص من المعدات الكهربائية أو البطارية المستهلكة أو الشاحن في النفايات المنزلية! بل توجه بهذا المنتج إلى مركز إعادة تدوير معتمد ليكون متاحاً للفرز بشكل منفرد. يجب إعادة الآلات الكهربائية إلى مرفق إعادة تدوير صديق للبيئة. غذائية، وهو ما يضر بالصحة والعافية.



## فحص واقي الحماية ضد التآكل ولوح التوجيه واستبداله (الشكل M)

افحص واقي الحماية ضد التآكل ولوح التوجيه بحثاً عن أي علامات للتلف قبل بدء تشغيل الآلة العاملة بالطاقة. يجب استبدال واقي الحماية ضد التآكل ما أن يصبح صندوق ناقل الحركة ظاهراً للعيان.

**ملاحظة:** قد يتعرض صندوق ناقل الحركة للتلف الشديد إن لم تقم باستبدال واقي الحماية ضد التآكل ما أن يصبح صندوق ناقل الحركة ظاهراً للعيان.

1. أوقف المحرك واخلع مجموعة البطارية.
  2. ارتد قفازات الحماية. أدر الشفرة عند الضرورة إلى أن يظهر المسماران.
  3. استخدم مفتاح الربط السداسي (الانكيه) المرفق في فك المسمارين، واخلعهما.
- ملاحظة:** إذا كنت في حاجة لاستبدال لوح التوجيه فقط، قم بفك المسمار 1 فقط واخضعه.
4. استبدل واقي الحماية ضد التآكل/لوح التوجيه الممتشوه أو المتهاك.
  5. قم بتجميع واقي الحماية ضد التآكل الجديد ولوح التوجيه الجديد على صندوق ناقل الحركة، وثبتهم بالمسمارين.
- الشكل M انظر أدناه للتعرف على شرح الأجزاء:

M-1	المسمار 1	M-4	واقي الحماية ضد التآكل
M-2	لوح التوجيه	M-5	قفازات التثبيت
M-3	المسمار 2	M-6	صندوق ناقل الحركة

### خلع لوح التوجيه

إذا كنت خبيراً في التعامل مع هذا النوع من ملحقات تسوية الحواف، أو إذا اكتشفت أن لوح التوجيه يشكل عائقاً في عملية تسوية الحواف، يمكنك خلع لوح التوجيه.

1. فك المسمار 1 واخضعه.
2. اخلع لوح التوجيه.
3. أعد تركيب المسمار 1 واربطه.

### تشحيم علبة التروس

علبة التروس الموجودة في صندوق ناقل الحركة تحتاج للتشحيم بشكل منتظم باستخدام شحم مخصص لذلك. افحص مستوى تشحيم صندوق ناقل الحركة بعد كل 50 ساعة تشغيل عن طريق خلع مسمار الفقل الموجود بجانب الصندوق.

إن لم تستطع رؤية أي شحم على جوانب التروس، اتبع الخطوات التالية للتعينة بشحم ناقل الحركة حتى مستوى 4/3 من السعة الداخلية.

لا تملأ ناقل الحركة بالكامل.

1. ضع ملحق تسوية الحواف في اتجاه رأسي بحيث يكون مسمار الفقل وجهه لأعلى (الشكل N).
2. استخدم مفتاح الربط متعدد الوظائف المرفق في فك واخلع مسمار الفقل. استخدم محقنة تشحيم (غير مرفقة) لحقن بعض الشحم في فتحة المسمار؛ بحيث لا تتخطى 4/3 من السعة الداخلية.
3. اربط مسمار الفقل بعد الحقن.

### تخزين الوحدة

## تركيب الشفرة

1. اضبط الشفة الداخلية على عمود المحرك بحيث يكون النتوء متجهاً للخارج (الشكل I).
2. قم بتركيب الشفرة الجديدة على الشفة الداخلية، مع التأكد من تركيب الشفرة في مكانها بإحكام (الشكل J).
3. قم بتركيب الشفة الخارجية والصامولة على العمود، واربط الصامولة بشكل مسبق عكس اتجاه عقارب الساعة بيدك.
4. اتبع الخطوات 4 و5 أعلاه الواردة في قسم «خلع الشفرة» من أجل تثبيت الشفرة وربط الصامولة بإحكام عكس اتجاه عقارب الساعة.
5. أدخل تيلة مشقوفة جديدة من المرفقات في الفتحة الموجودة في عمود المحرك. قم بثني قلمي التيلة في الاتجاهات المعاكسة باستخدام الكاشطة مستندة الطرف (غير مرفقة) (الشكل G).

## استبدال عجلة التوجيه

1. أوقف المحرك واخلع مجموعة البطارية.
2. ضع ملحق تسوية الحواف على ظهره بحيث تكون عجلة التوجيه متجهة لأعلى.
3. فك بكرة ضبط العمق في اتجاه سهم فك الفقل الموضح على البكرة، واخلعها.
4. اخلع الوردة الزنبركية، والوردة المسطحة 1، وعجلة التوجيه، والجبلة، والوردة المسطحة 2 من عمود المسمار (الشكل K). افحصهم واستبدلهم إذا كانوا متهاكين.
5. قم بتركيب عمود المسمار غير قضيب توجيه ضبط العمق أولاً، وبعد ذلك قم بتركيب الوردة المسطحة 2 والجبلة والعجلة الجديدة، وبعد ذلك قم بتركيب الوردة المسطحة 1 والوردة الزنبركية وبكرة ضبط العمق على عمود المسمار بالترتيب الموضح في الشكل K. الشكل K انظر أدناه للتعرف على شرح الأجزاء:

K-1	بكرة ضبط العمق	K-5	جبلة
K-2	وردة زنبركية	K-6	وردة مسطحة 2
K-3	وردة مسطحة 1	K-7	عمود المسمار
K-4	عجلة التوجيه	K-8	قضيب توجيه ضبط العمق

**ملاحظة:** يجب تركيب عجلة التوجيه بحيث تكون دعاماتها المسطحة متجهة للداخل (الشكل L).

الشكل L انظر أدناه للتعرف على شرح الأجزاء:

L-1	مسمارين	L-3	لسان قلاب للعوائق
L-2	دعامة مسطحة	L-4	لوح التثبيت

6. أحكم تثبيت بكرة ضبط العمق.

## استبدال اللسان القلاب للعوائق (الشكل L)

1. أوقف المحرك واخلع مجموعة البطارية.
2. استخدم مفتاح الربط السداسي (الانكيه) المرفق في فك المسمارين.
3. اخلع المسمارين ولوح التثبيت واللسان القلاب المتهاك.
4. استبدله بلسان جديد وثبته في موضعه باستخدام لوح التثبيت والمسمارين.

المكونات البلاستيكية تكون سريعة التأثر بالأنواع المختلفة للمنظفات الموجودة بالسوق، وقد تتلف نتيجة استخدامها عليها. استخدم قطعة قماش نظيفة لإزالة الأوساخ والأثرية والزيوت والشحم وما شابههم.

## تنظيف الوحدة

- بعد كل استخدام، نظف العوالم وكثّل التربة أو النباتات من الشفرة والواقي باستخدام فرشاة ناعمة. امسح سطح ملحق تسوية الحواف بقطعة قماش نظيفة مبللة بمحلول صابون خفيف.
  - استخدم فرشاة صغيرة أو مكنتسة كهربائية صغيرة في تنظيف فتحات الهواء الموجودة بالهيكل الخلفي.
- ملاحظة:** لا تستخدم أي منظفات قوية على الهيكل البلاستيكي أو المقبض. لأنهم معرضون للتلف بفعل زيوت عطرية معينة، مثل الصنوبر والليمون.

## استبدال الشفرة

**تحذير:** لا تحاول تعديل أو لحام شفرة متينة أو متشققة، لأنها قد تنكسر، بل يجب استبدالها. نوصي باستبدالها بشفرة ملحق تسوية الحواف الأصلية من شركة EGO، راجع قسم "الشفرة الموصى بها".

**ملاحظة:** استبدل الشفرة إذا كان طولها غير كافٍ للمحافظة على الخلوصل الأرضي اللازم وفي تحقيق عمق القطع المطلوب.

**تحذير:** احرص دائماً على حماية يديك عن طريق ارتداء قفازات قوية أو تغليف الشفرة بقطعة قماش أو مواد أخرى ملائمة عند إجراء أي أعمال صيانة على شفرة ملحق تسوية الحواف.

## خلع الشفرة

1. أوقف المحرك وإخلع مجموعة البطارية.
2. ضع ملحق تسوية الحواف على ظهره بحيث تكون الشفرة متجهة لأعلى.
3. ارتد قفازات الحماية. استخدم كمائة مستدقة الطرف (غير مرفقة) في خلع التيلة المشقوقه من عمود المحرك (الشكل G).
4. أدر الشفرة كي تحاذي الفتحة الموجودة في الشفة مع الفتحة الموجودة في صندوق ناقل الحركة (الشكل G).

الشكل G انظر أدناه للتعرف على شرح الأجزاء:

G-1	تيلة مشقوقه
G-2	الشفة الداخلية
G-3	صندوق ناقل الحركة

5. أدخل مفتاح الربط السداسي (الإنكيه) المرفق في الفتحات المتحاذية كي يعمل كضبيب موازنة. استخدم مفتاح الربط متعدد الوظائف في فك الصامولة في اتجاه عقارب الساعة (الشكل H).
  6. إخلع الصامولة والشفة الخارجية والشفرة والشفة الداخلية من عمود المحرك (الشكل I). افحصهم واستبدلهم إذا كانوا متهاكلين.
- الشكل I انظر أدناه للتعرف على شرح الأجزاء:

I-1	عمود المحرك	I-5	الشفرة
I-2	الشفة الداخلية	I-6	الشفة الخارجية
I-3	فتحة في الشفة الداخلية	I-7	صامولة
I-4	نتوء في الشفة الداخلية	I-8	تيلة مشقوقه

**تحذير:** كما أن حزام الكتف مزود بألية التحرير السريع في المواقف الخطرة. عند حدوث طارئ، إخلع عن كتفك على الفور، بغض النظر عن طريقة تثبيته.

## نظف ملحق تسوية الحواف بعد كل استخدام.

راجع قسم «الصيانة» للتعرف على تعليمات التنظيف.

## ضبط عمق القطع

1. أوقف المحرك وإخلع مجموعة البطارية.
2. فك بكرة ضبط العمق في اتجاه سهم فك القفل الموضح على البكرة (الشكل C).
3. حرك عجلة التوجيه على طول قضيب توجيه ضبط العمق، لأعلى لزيادة عمق القطع، أو لأسفل لتقليل عمق القطع (الشكل D).
4. اضبط عجلة التوجيه بحيث تكاد الشفرة تلامس الأرض أو تخترق سطح التربة بما لا يزيد عن 5 مم (الشكل E)، ثم اربطها بإحكام.
5. وأنت واقف في وضع العمل الطبيعي، قم بمراجعة عمق القطع مرة أخرى واضبطه إذا لزم الأمر.

## لبداء تشغيل/إيقاف الآلة

راجع قسم «تشغيل/إيقاف رأس الطاقة» الموجود في دليل تشغيل رأس الطاقة PH1400E/PH1420E/PHX1600.

## نصائح التشغيل

- امسك رأس الطاقة ووجهه بحيث تكون الشفرة في وضع رأسي. استعن بصرتك في محاذاة الشفرة مع حافة سطح التربة (الشكل F).
- لا يجوز تشغيل الآلة بوتيرة تفوق وتيرة السير العادية. إذا بدأت الشفرة في التوقف والانتشار، فانت تقوم بالقص بسرعة عالية؛ ولذا قم بإبطاءه وتيرتك.
- احرص دائماً على السير للأمام عند القطع وتحريك ملحق تسوية الحواف للأمام. لا تسحب ملحق تسوية الحواف نحوك.
- لا تدفع الشفرة بقوة في الأرض. التلامس الخفيف للشفرة قبالة حافة رصيف المشاة، أو الحواجز الحديدية عند حواف الطرق، وما شابه، أمر مقبول ولن يتسبب في تلف جهاز القص.
- يتم تحقيق أفضل نتائج والعشب جاف. تجنب القص في التربة الرطبة أو المناطق ذات العشب الرطب، وإلا قد ينحسر واقي الشفرة ويؤدي إلى حافة غير متساوية. إذا انحشرت الشفرة، فقم بإيقاف المحرك، وإخلع مجموعة البطارية، وأزل العوائق من واقي الشفرة.

## الصيانة

**تحذير:** قبل فحص الوحدة أو تنظيفها أو صيانتها، أطفئ المحرك، وانتظر إلى أن تتوقف جميع الأجزاء المتحركة، ثم إخلع مجموعة البطارية. لأن عدم اتباع هذه التعليمات قد يؤدي إلى وقوع إصابات شخصية خطيرة أو تلف الممتلكات.

**تحذير:** استخدم فقط قطع غيار أصلية عند إجراء أعمال الصيانة. لأن استخدام أي أجزاء أخرى قد ينشأ عنه خطر أو يتسبب في تعرض المنتج للتلف. لضمان السلامة والاعتمادية، يجب تنفيذ جميع أعمال الصيانة من قبل فني صيانة متخصص، باستثناء البنود المدرجة في تعليمات الصيانة هذه.

## الصيانة العامة

تجنب استخدام المنظفات عند تنظيف الأجزاء البلاستيكية. غالبية

**تحذير:** احرص دائماً على ارتداء قفازات عند تركيب الواقي أو استبداله. كن حذراً من الشفرة الموجودة عند الواقي، واحم يديك من التعرض للجرح.

**تحذير:** لا يجب مطلقاً تشغيل الآلة من دون تثبيت الواقي بإحكام في مكانه. يجب تركيب الواقي دائماً في الآلة لحماية المستخدم! عندما يكون الواقي مثبته، لا تحاول أبداً خلع الواقي أو تعديله وضعه، وعند الحاجة لاستبداله، ينبغي أن يقوم بذلك فني صيانة متخصص!

## توصيل ملحق تسوية الحواف برأس الطاقة

ملحق تسوية الحواف هذا مصمم للاستخدام مع رأس الطاقة PH1400E/PH1420E/PHX1600 العامل بطارية ليثيوم-أيون 56 فولت من شركة EGO.

راجع قسم "تركيب ملحق برأس الطاقة" الموجود في دليل تشغيل رأس الطاقة PH1400E/PH1420E/PHX1600.

## التشغيل

**تحذير:** لا تسمح لاعتيادك على تشغيل هذا المنتج أن يجعلك مستهتراً عند التعامل معه. ولا تنس أن الاستهتار لجزء من الثانية كافٍ للتسبب في حدوث إصابات خطيرة.

**تحذير:** ارتد بشكل دائم أدوات حماية العينين، بالإضافة إلى أدوات حماية السمع. قد ينجم عن عدم الامتثال لذلك دخول أشياء في عينيك، واحتمالية وقوع إصابات خطيرة.

## الاستخدامات

يمكنك استخدام هذا المنتج في الغرض الموضح أدناه:

- تسوية الحواف حول الممشى وحواجز الطرق ومشاتل الزهور والمناطق الأخرى الشبيهة.
- ملاحظة: يجب استخدام الآلة للغرض المحدد لها فقط. أي استخدام آخر يعد حالة من حالات سوء الاستخدام.

## قبل كل استخدام، افحص الأجزاء التالية/المتآكلة

افحص الشفرة والواقي ومقبض المساعدة الأمامي، واستبدل أي أجزاء مشققة أو ملتوية أو مثنية أو تالفة بأي شكل من الأشكال.

**تحذير:** لمنع التعرض لإصابات شخصية خطيرة، اخلع مجموعة البطارية من الآلة قبل إجراء أعمال الصيانة، أو التنظيف، أو تغيير المرفقات، أو إزالة المواد من الوحدة.

## استخدام ملحق تسوية الحواف مع رأس الطاقة

**تحذير:** احرص على ارتداء ملابس ملائمة للحد من خطر التعرض لإصابات أثناء تشغيل هذه الآلة. لا ترتد ملابس أو مجوهرات غير ثابتة. ارتد أدوات حماية العينين والأذنين/السمع. احرص على ارتداء بنطال طويل قوي، وحذاء ذي رقيقة، وقفازات. لا ترتد بنطال قصير أو صنادل أو أن تكون حافي القدمين. ارتد قناع للوجه أو قناع أترية في الأماكن كثيرة الأتربة.

**تحذير:** تخلس من جميع العوائق والأشياء الصلبة الموجودة في منطقة العمل.

للتشغيل بشكل أفضل وأكثر أمناً، ارتد حزام الكتف بحيث يمر عبر الكتف. اضبط حزام الكتف على وضعية تشغيل مريحة.

أمسك ملحق تسوية الحواف بحيث تكون يدك اليمنى على المقبض الخلفي ويترك اليسرى على مقبض المساعدة الأمامي. أمسك بكلتا يديك بإحكام أثناء تشغيل الآلة. يجب إمساك ملحق تسوية الحواف في وضع مريح بينما المقبض الخلفي في مستوى الورك (الشكل B).

كما يمكن استخدام القيمة الكلية للاهتزاز الموضحة في التقييم التمهيدي للتعرض.

**ملاحظة:** قد تختلف انبعاثات الاهتزاز أثناء الاستخدام الفعلي للآلة العاملة بالطاقة عن القيمة المعلنة التي يتم استخدام الآلة فيها؛ ولحماية مشغل الآلة، ينبغي على المستخدم ارتداء قفازات وواقيات للأذن في ظروف الاستخدام الفعلية.

## قائمة المحتويات

اسم القطعة	الكمية
ملحق تسوية الحواف	1
مفتاح ربط سداسي (الأنكيه)	1
مفتاح ربط متعدد الوظائف	1
تيلة مشقوقة	2
دليل التشغيل	1

## الشفرة الموصى بها

اسم القطعة	رقم الطراز
شفرة ملحق تسوية الحواف	AEB0800

## الوصف

### A) تعرف على ملحق جهاز الفص (الشكل)

- غطاء خارجي
- عمود ملحق تسوية الحواف
- واقي الشفرة
- الشفرة
- بكرة ضبط العمق
- عجلة التوجيه
- مفتاح ربط سداسي (الأنكيه)
- مفتاح ربط متعدد الوظائف
- قضيب توجيه ضبط العمق
- لسان قلب للعوائق
- تيلة مشقوقة
- اربط لتثبيت لوح التوجيه في مكانه
- لوح التوجيه

## التجميع

**تحذير:** إذا حدث تلف أو فقد في أي أجزاء، لا تقم بتشغيل هذا المنتج إلا بعد استبدال الأجزاء. استخدام هذا المنتج مع وجود أجزاء تالفة أو مفقود قد يؤدي إلى وقوع إصابات شخصية خطيرة.

**تحذير:** لا تحاول إجراء أي تعديلات على هذا المنتج أو ابتداء ملحقات غير موصى بها للاستخدام مع ملحق تسوية الحواف هذا. أي تغيير أو تعديل من هذا النوع يعتبر سوء استخدام، وقد يؤدي إلى وضع خطير قد يتسبب في وقوع إصابات شخصية خطيرة محتملة.

**تحذير:** لمنع بدء التشغيل غير المقصود، والذي قد يؤدي إلى وقوع إصابات شخصية خطيرة، احرص دائماً على خلع مجموعة البطارية من الآلة عند تجميع الأجزاء.

20 سم	طول الشفرة
حتى 75م	عمق تسوية الحواف
2.26 كجم	الوزن
15- 40 درجة مئوية	درجة حرارة التشغيل
20- 70 درجة مئوية	درجة حرارة التخزين
92.4 ديسيبل (A) 2.07=K ديسيبل (A) (PH1400E)	مستوى قوة الصوت المُقَدَّر $L_{WA}$
90.7 ديسيبل (A) 1.46=K ديسيبل (A) (PH1420E)	
90 ديسيبل (A) 1.3=K ديسيبل (A) (PHX1600)	مستوى ضغط الصوت عند أن مشغل الآلة $L_{PA}$
79.8 ديسيبل (A) 3=K ديسيبل (A) (PH1400E)	
81.2 ديسيبل (A) 3=K ديسيبل (A) (PH1420E)	مستوى ضغط الصوت عند أن مشغل الآلة $L_{PA}$
84 ديسيبل (A) 3=K ديسيبل (A) (PHX1600)	
95 ديسيبل (A)	مستوى قوة الصوت المضمنون $L_{WA}$ (وفقًا للمعيار 2000/14/EC)
1.2 م/ثانية 1.5=K م/ثانية (PH1400E)	مقبض المساعدة الأمامي
1.95 م/ثانية 1.5=K م/ثانية (PH1420E)	
1.6 م/ثانية 1.5=K م/ثانية (PHX1600)	الاهتزاز $a_h$
2.2 م/ثانية 1.5=K م/ثانية (PH1400E)	
1.66 م/ثانية 1.5=K م/ثانية (PH1420E)	المقبض الخلفي
1.53 م/ثانية 1.5=K م/ثانية (PHX1600)	

- تم اختبار المعايير أعلاه وقياسها أثناء تركيب رأس الطاقة PH1400E/PH1420E/PHX1600
- القيمة الكلية للاهتزاز الموضحة تم قياسها وفقاً لطريقة اختبار قياسية وقد تستخدم لمقارنة أداء بأخرى؛

3. عقب الاصطدام بجسم غريب؛ افحص الشفرة (الشفرات) بحثاً عن أي علامات للتلف، ونفذ أعمال الإصلاح قبل إعادة تشغيلها؛

4. إذا بدأ ملحق تسوية الحواف في الاهتزاز بشكل غير طبيعي (افحصه على الفور).

- قم بإيقاف المحرك في أي وقت تترك فيه ملحق تسوية الحواف؛ لا تشحن مجموعة البطارية في المطر أو في الأماكن الرطبة.
- لا تستخدم الآلة إلا مع مجموعات البطارية والشواحن المدرجة في الشكل A.
- تجنب إزالة مجموعة البطارية من الجهاز قبل التخلص منه.
- يجب التخلص من البطارية بشكل آمن.
- لا تتم بتعريض البطارية للنيران. فقد تنفجر خلاياها. راجع اللوائح المحلية للتعرف على أي تعليمات محتملة خاصة متعلقة بالتخلص من البطارية.
- لا تفتح البطارية أو تفسدها. فالسائل الإلكتروني لتي المرشح يسبب تآكل المعادن، وقد يسبب أضراراً بالعينين أو الجلد. كما أنه قد يكون ساماً إذا تم بلعه.
- كن حذراً للغاية عند التعامل مع البطاريات كي لا تتسبب في حدوث دائرة قصر (فقد للدائرة) في البطارية عند التعامل مع المواد أمثال الحلفات والأسورة والمفاتيح. قد تتعرض البطارية أو الوصلات للحرارة المفرطة ويتسبب في الإصابة بحروق.
- لا تحتاج الآلات العاملة بالبطارية إلى توصيلها بمصدر تيار كهربائي؛ ولهذا فهي دائماً ما تكون جاهزة للتشغيل. احذر المخاطر المحتملة، حتى عند عدم تشغيل الآلة. كن حذراً عند تنفيذ أعمال الصيانة أو الخدمة.
- لا تغسل المنتج بخرطوم الماء؛ وتجنب وصول الماء إلى المحرك والتوصيلات الكهربائية.

### الصيانة والتخزين

- احرص على ربط جميع الصواميل والمسامير والبراغي بإحكام للتأكد من أن الجهاز في حالة عمل آمنة.
- استبدل الأجزاء المتآكلة أو التالفة.
- لا تحاول إصلاح الآلة إلا إذا كنت مؤهلاً لفعل ذلك.
- استخدم فقط قطع الغيار والملحقات الموصى بها من قبل الشركة الصانعة.
- افصل الآلة من البطارية قبل إجراء أعمال الصيانة أو التنظيف.
- قم بفحص وصيانة الآلة بانتظام. يجب إصلاح الآلة بواسطة مركز صيانة معتمد فقط.
- عند عدم الاستخدام، قم بتخزين الآلة بعيداً عن متناول أيدي الأطفال.
- إذا حدثت حالات غير مذكورة في هذا الدليل، توخ الحذر واتخذ قرارات حكيمة. تواصل مع مركز خدمة العملاء بشركة EGO طلباً للدعم.
- احفظ هذه التعليمات. راجعهم باستمرار واستخدمهم لتوجيه الآخرين عند استخدام هذه الآلة. إذا قمت بإقراض هذه الآلة لشخص آخر، أرفق معها هذه التعليمات لمنع سوء استخدام المنتج والإصابات المحتملة.

### احفظ هذه التعليمات

ملاحظة: راجع دليل تشغيل رأس الطاقة للتعرف على قواعد السلامة الإضافية المحددة.

## المواصفات

**⚠ تنبيه!** احرص على ارتداء أدوات وقاية شخصية ملائمة للأذنين أثناء الاستخدام. في ظل بعض ظروف الاستخدام وفتراته، قد تتسبب الضوضاء الصادرة عن هذا المنتج في فقد القدرة على السمع.

## التدريب

- اقرأ التعليمات بعناية. اعتد على أدوات التحكم والاستخدام الملائم للآلة.
- لا تسمح أبدًا للأطفال أو الأشخاص غير المطلعين على هذه التعليمات باستخدام ملحق تسوية الحواف. قد تُحدد بعض اللوائح المحلية سنًا معينًا لمشغلي الآلة.
- لا تقم أبدًا بتسوية الحواف أثناء تواجد أي أشخاص، خصوصًا الأطفال أو الحيوانات الأليفة، في الجوار.
- يرجى الانتباه إلى أن المشغل أو المستخدم هو المسؤول عن وقوع أي حوادث أو مخاطر يتعرض لها أشخاص آخرون أو تتعرض لها ممتلكاتهم،

## الإعداد

- أثناء تسوية الحواف، احرص دائمًا على ارتداء أدوات وقاية للعينين والأذنين، وأحذية قوية، وبنطال طويل.
- افحص بعناية السطح الذي سيتم استخدام الجهاز عليه وتخلص من جميع الحصى والعصي والأسلاك والعظام والأشياء الغريبة الأخرى.
- قبل الاستخدام، احرص دائمًا على فحص الآلة بعينيك للتأكد من عدم تآكل أو تلف الشفرات أو مسمار الشفرة أو تجميعها الفاعل. استبدل الشفرات والمسامير المتآكلة أو التالفة بمجموعات كاملة للحفاظ على توازن الآلة.

## التشغيل

- لا تقم بتسوية الحواف سوى في ضوء النهار أو الضوء الصناعي الجيد.
- تحقق دائمًا من موضع أقدامك على المنحدرات.
- حيث ينبغي عليك المشي، ولا تجري أبدًا.
- توخ الحذر الشديد عند عكس اتجاه عمل ملحق تسوية الحواف أو سحبها تجاهك.
- تأكد من توقف الشفرة قبل عبور أي أسطح غير الحشائش، وأثناء نقل ملحق تسوية الحواف من وإلى المنطقة المراد تسوية حوافها.
- لا تقم أبدًا بتشغيل ملحق تسوية الحواف إذا كانت الوقيتات معطوبة أو غير موجودة أو مثبتة بشكل غير صحيح.
- لا تقم بتغيير إعدادات التحكم في المحرك أو زيادة سرعة المحرك بشكل زائد عن الحد.
- قم بتشغيل المحرك وفقًا للتعليمات، على أن تكون الأقدام بعيدة للغاية عن الشفرة (الشفرات).
- لا تقم بإمالة الآلة عند تشغيل المحرك، إلا إذا كان من اللازم إمالة ملحق تسوية الحواف لبدء تشغيله. في هذه الحالة، لا تقم بإمالاته أكثر من الضروري وارفع فقط الجزء البعيد عن المستخدم.
- لا تبدأ تشغيل المحرك وهناك شخص واقف في مواجهة الشفرة (الشفرات).
- لا تضع اليدين أو القدمين بالقرب من الأجزاء المتحركة أو أسفلها.
- احرص دائمًا على إطفاء المحرك وفصله عن البطارية:

1. قبل تنظيف أي انسدادات؛
2. قبل فحص الشفرة (الشفرات) أو تنظيفها أو العمل داخل أي جزء من أجزائها؛

صيانتها كما ينبغي للاحتفاظ بحوافها القاطعة حادة تكون أقل عرضة للانحناء ويكون التحكم فيها سهلاً.

- استخدم الآلة والملحقات واللحم وما شابههم وفقًا لهذه التعليمات، مع الأخذ في الاعتبار بظروف العمل والأعمال التي سيتم تنفيذها. قد يؤدي استخدام الآلة في أعمال غير تلك المخصصة لها إلى حوادث خطيرة.
- احتفظ بالمقابض وأسطح الإمساك جافة ونظيفة وخالية من الزيوت والشحوم. لأن المقابض وأسطح الإمساك المنزلقة لا تمنحك القدرة على التعامل والتحكم الآمنين في الآلة في المواقف غير المتوقعة.

## استخدام الآلة العاملة بالبطارية والعناية بها

- لا تُعد شحن الآلة إلا باستخدام الشاحن المحدد بواسطة الشركة الصانعة. فالشاحن الملائم لنوع ما من مجموعات البطارية قد يتسبب في نشوب حريق إذا تم استخدامه مع مجموعة بطارية أخرى.
- استخدم الآلات مع مجموعات البطاريات المخصصة لها فقط. لأن استخدام أي مجموعات بطارية أخرى قد يؤدي إلى التعرض لإصابات أو نشوب حريق.
- عند عدم استخدام مجموعة البطارية، احتفظ بها بعيدًا عن الأغراض المعدنية الأخرى مثل مشابك الأوراق أو العملات المعدنية أو المفاتيح أو المسامير أو البراغي أو الأغراض المعدنية الصغيرة الأخرى التي قد تتسبب في عمل دائرة قصر (فقل للدائرة) بين أقطاب البطارية. عمل دائرة قصر (فقل للدائرة) بين أطراف البطارية قد يتسبب في حروق أو نشوب حريق.
- في حالات التعامل السيئ، قد يحدث ارتشاح للسوائل من البطارية؛ لا تلامسه. إذا حدثت ملامسة بشكل عرضي، فاغسلها بالماء. إذا لامس السائل العينين، فاطلب المساعدة الطبية على الفور. السائل المرتشح من البطارية قد يتسبب في حدوث احتياج في الجلد أو حروق.
- لا تستخدم مجموعة البطارية أو الآلة إذا كانا تالفين أو تم إدخال تعديلات عليهما. لأن البطاريات التالفة أو التي تم تعديلها قد تعمل بشكل غير متوقع، وهو ما قد يؤدي لنشوب حريق أو حدوث انفجار أو خطر التعرض لإصابة.
- لا تقم بتعرض مجموعة البطارية أو الآلة للحريق أو درجات الحرارة الزائدة. التعرض لدرجات الحرارة الأعلى من 130 درجة مئوية قد يؤدي لحدوث انفجار.
- اتبع تعليمات الشحن ولا تشحن مجموعة البطارية أو الآلة في نطاق درجة حرارة خارج النطاق المحدد في التعليمات. قد يؤدي الشحن غير المضبوط أو في درجات حرارة خارج النطاق المسموح به إلى تلف البطارية وخطر نشوب حريق.

## تعليمات سلامة هامة

**⚠ تحذير!** عند استعمال أجهزة الدائري الكهربائية، لا بد من اتباع الاحتياطات الوقائية الأساسية لتجنب التعرض لخطر الحريق أو الصدمة الكهربائية أو الإصابة الشخصية، بما في ذلك ما يلي:

## اقرأ التعليمات بعناية قبل الاستخدام

## احتفظ بالمعلومات للرجوع إليها كدليل مرجعي في المستقبل

- ⚠ خطر! لا تعتمد على عزل الآلة في حمايتك من التعرض لصدمة كهربائية. للحد من خطر الصعق الكهربائي، لا تقم أبدًا بتشغيل الآلة بالقرب من أي أسلاك أو كابلات (تيار، وما شابه)، والتي قد يكون بها تيار كهربائي جارٍ.



## السلامة الشخصية

- ابق منتهيًا، وانتبه جيدًا لما تفعله، وكن عقلانيًا عند تشغيل الآلة. لا تستخدم أي آلة وأنت مجهد أو تحت تأثير المخدرات أو الكحوليات أو الأدوية. قد تؤدي لحظة من عدم الانتباه أثناء تشغيل الآلات إلى حدوث إصابات شخصية خطيرة.
- استعن بمعدات الحماية الشخصية. ارتد دائمًا أدوات حماية اللعينين. سويدي استخدام أدوات الحماية كقناع الغبار أو أذنية السلامة المضادة للانزلاق أو القبعة الصلبة أو أدوات حماية السمع في ظروف مناسبة إلى الحماية من الإصابات الشخصية.
- امنع بدء تشغيل الآلة غير المتعمد. احرص على أن يكون مفتاح الطاقة في وضع الإيقاف قبل توصيل الآلة بمصدر التيار أو مجموعة البطاريات، أو التوقف الآلة أو حملها. إذا حملت الآلات وإصبعك على مفتاح التشغيل أو إذا شحنتها والمفتاح على وضع التشغيل، فقد يؤدي ذلك لوقوع حوادث.
- أزل أي مفتاح تعديل أو مفتاح ربط قبل تشغيل الآلة. قد يؤدي ترك مفتاح ربط أو مفتاح عادي مركبًا على جزء دوار بالآلة إلى وقوع إصابات شخصية.
- لا تقف في مكان تضطر لمد يديك بعيدًا. قف وأنت ثابت ومتوازن في جميع الأوقات. وهو ما يسمح بتحكم أفضل في الآلة في الظروف غير المتوقعة.
- ارتد الملابس الملائمة. لا ترتد ملابس أو مجوهرات غير ثابتة. احتفظ بشعرك وملابسك بعيدًا عن الأجزاء المتحركة. قد تعلق الملابس الفضفاضة أو المجوهرات أو الشعر الطويل في الأجزاء المتحركة.
- إذا تم تقديم أجهزة خاصة بتوصيل أدوات استخراج وجمع الغبار، فأحرص على توصيلها واستخدامها على النحو اللازم. قد يؤدي استخدام جمع الغبار إلى الحد من المخاطر المرتبطة به.
- لا تدع الخبرة المكتسبة من الاستخدام المتكرر للألات يجعلك تتعامل من دون الانتباه اللازم وتتجاهل مبادئ السلامة المتعلقة بالآلة. فقد يتسبب أي إجراء غير مدروس في إصابات خطيرة في جزء من الثانية.
- استخدام الآلة والعناية بها
  - لا تجبر الآلة على أعمال تفوق قدرتها. استخدم الآلة الملائمة لأعمالك. ستقوم الآلة الملائمة بأداء أعمالك بشكل أفضل وأكثر أمانًا بالمعدل الذي أعدت له.
  - لا تستخدم الآلة إذا كان مفتاح التشغيل لا يمكن نقله إلى وضع التشغيل أو وضع الإيقاف. أي آلة لا يمكن التحكم فيها بمفتاح التشغيل تعتبر خطيرة ويجب إصلاحها.
  - أفضل القابس من مصدر التيار و/أو اخلع مجموعة البطاريات -إذا كانت قابلة للخلع- من الآلة قبل إجراء أي تعديلات أو تغيير ملحقات أو تخزين الآلات. إجراءات السلامة الوقائية هذه تحد من خطر تشغيل الآلة بشكل خاطئ.
  - خزن الآلات غير المستخدمة بعيدًا عن متناول أيدي الأطفال ولا تسمح للأشخاص غير المتدربين على استخدام الآلة أو على هذه التعليمات بتشغيل الآلة. فالآلات تكون خطيرة في أيدي الأشخاص غير المدربين.
  - حافظ على الآلة والمعدات. تحقق من عدم محاذة الأجزاء المتحركة أو ربطها، أو وجود كسور في الأجزاء، أو أي حالة أخرى قد تؤثر على عمل الآلة. إذا كان هناك تلف، فقم بإصلاح الآلة قبل استخدامها. فالعديد من الحوادث تحدث بسبب الآلات التي لا تتم صيانتها بشكل منتظم.
  - احتفظ بالآلات القاطعة حادة ونظيفة. فالآلات القاطعة التي تتم

V	فولت	الجهد الكهربائي
mm	مليمتر	الطول أو الحجم
cm	سنتمتر	الطول أو الحجم
kg	كيلوجرام	الوزن
⚡	تيار مستمر	النوع أو خصائص التيار

## تحذيرات السلامة العامة المتعلقة بالآلة العاملة بالطاقة تحذيرات السلامة العامة الخاصة بالآلة

**⚠ تحذير:** اقرأ جميع تحذيرات السلامة والتعليمات والرسوم التوضيحية والمواصفات المرفقة مع هذه الآلة. عدم اتباع جميع التعليمات الواردة أدناه قد يؤدي إلى حدوث صدمة كهربائية أو نشوب حريق أو التعرض للإصابة، أدها أو جميعها.

### احتفظ بجميع التحذيرات والتعليمات للرجوع إليها في المستقبل.

يشير مصطلح "الآلة" في قسم التحذيرات إلى الآلة العاملة بالتيار (الموصولة بسلك تيار) أو الآلة العاملة بالبطارية (غير الموصولة بسلك تيار).

### سلامة منطقة العمل

- حافظ على منطقة العمل نظيفة ومضاءة جيدًا. حيث عادة ما تتسبب المناطق المظلمة أو التي بها ركام إلى وقوع حوادث.
- لا تقم بتشغيل الآلات في أجواء قابلة للانفجار، على سبيل المثال في وجود سوائل أو غازات أو غبار قابلة للاشتعال. فقد تتسبب الآلات في صدور شرارة، والتي قد تتسبب في اشتعال الغبار أو الأبخرة القابلة للاشتعال.
- احتفظ بالأطفال والمشاهدين بعيدًا عن موقع استعمال الآلة. حيث أن الإلهاءات قد تجعلك تفقد السيطرة على الآلة.

### السلامة الكهربائية

- ينبغي أن يتوافق قابس الآلة مع مقيس التيار. لا يجب إدخال تعديلات على القابس بأي حال من الأحوال. لا تستخدم أي قوايس مهيأة مع الآلات الموزعة. سويدي القوايس غير المشحلة والمقابس المتوافقة إلى الحد من خطر حدوث صدمة كهربائية.
- تجنب ملامسة الجسم لأسطح موزعة مثل الأنابيب والمشعاع والمواقف والتلاجات. هناك خطر متزايد لحدوث صدمة كهربائية إذا كان جسمك موزعًا.
- لا تشغل الآلة في المطر أو في الأجواء الرطبة. الماء الذي يدخل الجهاز قد يزيد من خطر التعرض لصدمة كهربائية أو حدوث عطل قد يؤدي إلى إصابة بدنية.
- لا تعبت بسلك التيار. لا تقم أبدًا باستخدام سلك التيار لحمل الآلة أو سحبها أو فصلها عن التيار. احتفظ بالسلك بعيدًا عن مصادر الحرارة أو الزيت أو الحواف الحادة أو الأجزاء المتحركة. تؤدي أسلاك التيار التالفة أو المتشابكة إلى زيادة خطر حدوث صدمة كهربائية.
- عند تشغيل آلة في مكان خارجي مفتوح، استخدم سلك تمديد ملائم للاستخدام الخارجي. استخدم سلك ملائم للاستخدام الخارجي يحد من خطر حدوث صدمة كهربائية.
- إذا كان لا بد عن تشغيل الآلة في مكان رطب، فاستخدم مصدر تيار محمي بقاطع تيار موزع (GFCI). يؤدي استخدام قاطع تيار موزع إلى الحد من خطر حدوث صدمة كهربائية.

## اقرأ جميع التعليمات!

### اقرأ دليل التشغيل

**⚠ تحذير:** لضمان السلامة والاعتمادية، يجب تنفيذ جميع أعمال الإصلاح واستبدال الأجزاء من قبل فني خدمة مؤهل.

## رموز السلامة

الفرض من رموز السلامة هو جذب انتباهك إلى المخاطر المحتملة. رموز السلامة والتشروحات المصاحبة لها تستحق اهتمامك وفهمك الدقيق. تحذيرات كل رمز، بنفسها، لا تمنع وقوع أي خطر. التعليمات والتحذيرات التي تمسك إياها لا تعد بديلاً عن تطبيق الإجراءات الملائمة لمنع وقوع الحوادث.

**⚠ تحذير:** احرص على قراءة وفهم جميع تعليمات السلامة في دليل التشغيل هذا، بما في ذلك جميع رموز تنبيهات السلامة، مثل "خطر"، و"تحذير" و"تنبيه" قبل استخدام هذه الآلة. عدم اتباع جميع التعليمات الواردة أدناه قد يؤدي إلى حدوث صدمة كهربائية أو نشوب حريق أو التعرض للإصابة الشخصية، أحدها أو جميعها.

## معنى الرمز

**⚠ رمز تنبيه السلامة:** يشير إلى خطر أو تحذير، أو تنبيه، وقد يتم استخدامه بشكل متزامن مع الرموز أو الصور الكتابية الأخرى.

**⚠ تحذير:** قد يؤدي تشغيل أي آلة عاملة بالطاقة إلى دخول أي أشياء غريبة في عينيك، وهو ما قد يؤدي إلى إلحاق أضرار خطيرة بالعين. قبل بدء تشغيل الآلة العاملة بالطاقة، احرص دائماً على ارتداء واقبات العينين أو نظارات حماية العينين ذات دروع جانبية، ودرع واقٍ لكامل الوجه عند اللزوم. نوصي بارتداء قناع السلامة واسع الرؤية لاستخدامه فوق نظارات العين أو نظارات السلامة العادية ذات الدروع الجانبية.

## تعليمات السلامة

هذه الصفحة تصف وتشرح رموز السلامة التي قد تظهر على هذا المنتج. اقرأ جميع التعليمات المذكورة على الآلة وافهمها واتبعها قبل محاولة تجميع الآلة وتشغيلها.

يشير إلى خطر محتمل للتعرض لإصابة شخصية.	تنبيه سلامة	
للمحد من خطر الإصابة، يجب على المستخدم قراءة وفهم دليل التشغيل قبل استخدام هذا المنتج.	اقرأ دليل التشغيل	
احرص دائماً على ارتداء أدوات حماية الأذنين ونظارات الحماية المزودة بواقبات على الجانبين، وينبغي ارتداء واقٍ لكامل الوجه أثناء تشغيل هذا المنتج.	ارتد أدوات حماية الأذنين والعيون	
طول شفرة ملحق تسوية الحواف	طول شفرة ملحق تسوية الحواف	
يجب ألا تقل المسافة بين الآلة والأشخاص الواقفين عن 15 متراً.	أبقِ المراقبين بعيداً عن نطاق عمل الآلة	
يشير إلى اتجاه دوران شفرة جهاز القص.	اتجاه دوران شفرة ملحق تسوية الحواف	
العوائل المتطيرة من ملحق تسوية الحواف قد تؤثر على الوقوف بثبات. كن حريصاً للغاية عند السير في منطقة تسوية الحواف.	أشياء متطيرة	
احرص على ارتداء أحذية أمان مائعة للارتدائى عند استخدام هذه الآلة.	ارتد حذاء الحماية	
لا تضع اليدين أو القدمين بالقرب من الأجزاء المتحركة أو أسننها.	شفرة القطع الدوّارة	
لمنع حدوث صعق كهربائي، لا تقم بتشغيل الآلة في نطاق 15 متراً من خطوط الكهرباء الطويلة. لأن ملامستها لخطوط التيار أو استخدامها بالقرب منها قد يتسبب في وقوع إصابات خطيرة أو التعرض لصدمة كهربائية قد تؤدي للوفاة.	حافظ على مسافة كافية بعيداً عن خطوط الكهرباء	
هذا المنتج متوافق مع توجيهات شهادة الجودة الأوروبية (CE) المعمول بها.	شهادة الجودة الأوروبية CE	
هذا المنتج متوافق مع تشريعات المملكة المتحدة المعمول بها.	تقييم المطابقة UKCA	
لا يجب التخلص من الأجهزة الكهربائية المستهلكة في النفايات المنزلية. توجه بالجهاز إلى مركز إعادة تدوير معتمد.	نفايات المعدات الكهربائية والإلكترونية (WEEE)	
مستوى قوة الصوت المضمون. انبعاثات الضوضاء في البيئة وفقاً لتوجيه الاتحاد الأوروبي.	الضوضاء	

## פתרון תקלות

פתרון	סיבה	בעיה
<ul style="list-style-type: none"> <li>■ הצמידו את מארז הסוללה אל הראש החשמלי.</li> <li>■ הסירו את הסוללה, בדקו את המגעיים והתקינו מחדש את מארז הסוללה עד אשר ייכנס למקומו בנקישה.</li> <li>■ הטעינו את הסוללה עם מטעני EGO הרשומים במדריך זה.</li> <li>■ לחצו על כפתור הנעילה כלפי מטה והחזיקו אותו, לאחר מכן לחצו על ההדק על מנת להפעיל את הראש החשמלי.</li> </ul>	<ul style="list-style-type: none"> <li>■ מארז הסוללה איננו מחובר לראש החשמלי.</li> <li>■ לא מתבצע חיבור חשמלי בין הראש החשמלי למארז הסוללה.</li> <li>■ קיבולת מארז הסוללה ריקה.</li> <li>■ כפתור הנעילה וההדק אינם לחוצים בו זמנית.</li> </ul>	לא ניתן להפעיל את המנוע.
<ul style="list-style-type: none"> <li>■ המנוע יחזור לפעילות רגילה ברגע בו העומס יוסר. עבור שימוש ממושך, הפחיתו את העומס של הראש החשמלי.</li> <li>■ אפשרו למארז הסוללה או לראש החשמלי להתקרר עד לטמפרטורה של פחות מ-67°C.</li> <li>■ התקינו מחדש את מארז הסוללה.</li> <li>■ הטעינו את הסוללה עם מטעני EGO הרשומים במדריך זה.</li> </ul>	<ul style="list-style-type: none"> <li>■ ישנו עומס יתר של המנוע.</li> <li>■ מארז הסוללה או הראש החשמלי חמים מידי.</li> <li>■ מארז הסוללה מנותק מן המכשיר.</li> <li>■ קיבולת מארז הסוללה ריקה.</li> </ul>	הראש החשמלי מפסיק לעבוד במהלך ההפעלה.
<ul style="list-style-type: none"> <li>■ הימנעו מקיצוץ באדמה רטובה או בדשא רטוב.</li> <li>■ עצרו את המנוע, הסירו את מארז הסוללה והוציאו פסולת ממגן הלהב.</li> </ul>	<ul style="list-style-type: none"> <li>■ האדמה או הדשא המקוצץ רטובים מידי.</li> <li>■ מגן הלהב חסום.</li> </ul>	קיצוץ לא אחיד

## אחריות

מדיניות האחריות של EGO

אנא בקרו באתר [egopowerplus.eu](http://egopowerplus.eu) עבור התנאים וההתניות השלמים של מדיניות האחריות של EGO.

6. נעלו את כפתור התאמת העומק.

## החלפת דש הפסולת (איור L)

1. עצרו את המנוע והסירו את מארז הסוללה.
2. השתמשו במפתח משושה המצורף כדי לשחרר את שני הברגים.
3. הוציאו את הברגים, לוח הקיבוע ודש הפסולת הבלוי.
4. החליפו בדש פסולת חדש ונעלו אותו עם לוח הקיבוע ושני הברגים.

## בדיקה והחלפה של המגן למניעת בלאי/הלוחית (איור M)

בדקו את המגן למניעת בלאי ואת הלוחית המנחה לאיתור נזקים לפני הפעלת הכלי החשמלי. יש להחליף את המגן למניעת בלאי מיד ברגע שתיבת ההילוכים הופכת להיות גלויה.

**הודעה:** תיבת ההילוכים עשויה להינזק באופן חמור אם לא תחליפו את המגן למניעת בלאי ברגע שתיבת ההילוכים הופכת להיות גלויה.

1. עצרו את המנוע והסירו את מארז הסוללה.
  2. לבשו כפפות מגן. סובבו את הלהב לפי הצורך כדי לחשוף את שני הברגים.
  3. השתמשו במפתח משושה המצורף כדי לשחרר את שני הברגים ולהוציא אותם.
- הודעה:** אם אתם צריכים להחליף רק את הלוחית המנחה, שחררו והסירו את בורג 1 בלבד.
4. החליפו את המגן למניעת בלאי/הלוחית המנחה המעוות או הבלוי.
  5. הרכיבו את המגן למניעת בלאי והלוחית המנחה על תיבת ההילוכים ונעלו אותם עם שני הברגים.
- ראו למטה תיאור חלקים בתמונה M:

M-1	בורג 1	M-4	מגן למניעת בלאי
M-2	לוחית מנחה	M-5	חורי הרכבה
M-3	בורג 2	M-6	תיבת ההילוכים

## הסרת הלוחית המנחה

- אם אתם מיומנים בשימוש בסוג קוץ זה, או אם אתם רואים שהלוחית המנחה מפריעה לפעולת הקיצוץ שלכם, ניתן להסיר את הלוחית המנחה.
1. שחררו והוצאו את בורג 1.
  2. שחררו את הלוחית המנחה.
  3. החזירו והדקו את בורג 1.

## שימון הילוכי התמסורת

יש לשמן את הילוכי התמסורת בתיבת ההילוכים באופן קבוע עם שמן גיר. בדקו את מפלס שמן הגיר מידי 50 שעות של הפעלה על ידי הסרת בורג האיטום שבצד התיבה.

אם לא ניתן לראות שמן על צדי ההילוכים, בצעו את השלבים הבאים כדי למלאות את שמן הגיר עד 4/3 מהקיבולת.

1. אין למלא הילוכי התמסורת במלואם.
1. הניחו את הקוץ במאונך כך שבורג האיטום פונה כלפי מעלה (איור N).
2. השתמשו במפתח הברגים הרב שימושי המצורף כדי לשחרר ולהוציא את בורג האיטום. השתמשו במזרק שמן (לא מצורף) כדי להזריק חלק מהשמן לחור הבורג, אל תמלאו יותר מ-4/3 מהקיבולת.
3. הדקו את בורג האיטום לאחר ההזרקה.

## אחסון היחידה

- הסירו את מארז הסוללה מהקוץ.
- נקו את הכלי ביסודיות לפני אחסונו.
- אם אביזר הקוץ מופרד מהראש החשמלי ומאוחסן בנפרד, חברו את מכסה הקצה על מוט האביזר כדי למנוע מלכלוך להיכנס לתוך המצמד.
- אחסנו את היחידה במקום יבש, מאוורר היטב, נעולה או במקום גבוה, הרחק מהישג ידם של ילדים. אל תאחסנו את היחידה קרוב לחומרי דשן. חומרי דלק או כימיקלים אחרים.

## גנה על הסביבה

אין לזרוק ציוד חשמלי, מטעני סוללות וסוללות ביחד עם אשפה ביתית! יש לקחת מוצר זה למרכז מחזור מוסמך ולוודא שהוא זמין לאיסוף נפרד. יש להחזיר מכשירים אל מתקן מחזור ידיוותי לסביבה.



**⚠ אזהרה:** במקרה של עבודות תיקון, השתמשו רק בחלקי חילוף זהים. שימוש בחלקי חילוף אחרים עלול לגרום לסכנה או נזק למוצר. על מנת להבטיח בטיחות ואמינות, יש לבצע את כל התיקונים, מלבד עבור הפריטים המצוינים בהוראות תחזוקה אלה, בעזרת טכנאי שירות מוסמך.

### תחזוקה כללית

הימנעו משימוש בממסים כאשר אתם מנקים חלקי פלסטיק. רוב חלקי הפלסטיק עלולים להיזקק מסוגים שונים של ממסים מסחריים ועל ידי השימוש בהם. השתמשו במטליות נקיות על מנת להסיר לכלוך, אבק, שמן, חומר סיכה וכו'.

### נקו את היחידה

- לאחר כל שימוש נקו את הפסולת, חלקי קרקע תקועים או דשא על הלהב והמגן עם מברשת רכה. נגבו את פני השטח של הקוצץ עם מטלית נקיה אשר הוטבלה בתמיסת סבון עדינה.
  - עשו שימוש במברשת קטנה או בשואב אבק קטן על מנת לנקות את פתחי האוויר בתא האחורי.
- הודעה:** אל תעשו שימוש בחומרי ניקוי חזקים על תא הפלסטיק או על גבי הידית. עלול להיגרם להם נזק על ידי שמנים ארומטיים למיניהם, כגון אורן ולימון.

### החלפת הלהב

**⚠ אזהרה:** אל תנסו ליישר או לרתך להב עקום או סדוק - הוא עלול להישבר - יש להחליפו. מומלץ להחליף בלהב קוצץ EGO בלבד, עיינו בסעיף „**הלהב המומלץ**”.

**הודעה:** החליפו את הלהב אם אורכו אינו ארוך דיו כדי לשמור על פינוי הקרקע הנדרש ולהשיג את עומק החיתוך הנדרש.

**⚠ אזהרה:** הגנו תמיד על הידיים שלכם על ידי לבישת כפפות מוצקות או עטיפה של הלהב עם מטליות או חומרים אחרים בעת ביצוע כל פעולת תחזוקה בלהב הקוצץ.

### הסרת הלהב

1. עצרו את המנוע והסירו את מארז הסוללה.
2. הניחו את הקוצץ על גבו כך שהלהב יפנה כלפי מעלה.
3. לבשו כפפות מגן. השתמשו בפלייר שפיץ (לא כלול) כדי להסיר את הפין הפציל ממוט המנוע (איר G).
4. סובבו את הלהב על מנת ליישר את חריץ הגליל עם החור בתיבת הילוכים (איר G). ראו למטה תיאור חלקים בתמונה G:

G-1	פין פציל
G-2	גליל פנימי
G-3	תיבת הילוכים

5. הכניסו את המפתח המשושה המצורף, אל החורים המתאימים על מנת שישמש כמייצב. השתמשו במפתח ברגים רב שימושי המצורף כדי לשחרר את האום בכיוון השעון (איר H).

6. הוציאו את האום, הגליל החיצוני, הלהב והגליל הפנימי ממוט המנוע (איר I). בדקו והחליפו אותם אם הם נשחקו. ראו למטה תיאור חלקים בתמונה I:

I-1	מוט מנוע	I-5	להב
I-2	גליל פנימי	I-6	גליל חיצוני
I-3	חריץ בגליל הפנימי	I-7	אום
I-4	בליטה בגליל הפנימי	I-8	פין פציל

### התקנת הלהב

1. מקמו את הגליל הפנימי על מוט המנוע כשהבליטה פונה החוצה (איר I).
2. התקינו את הלהב החדש על הגליל הפנימי, וודאו שהלהב מותקן במקומו בביטחה (איר J).
3. הרכיבו את הגליל החיצוני ואת האום על המוט, והדקו מראש את האום **נגד כיוון השעון** בידכם.
4. בצעו את השלבים 4 ו-5 לעיל ב"הסרת הלהב" כדי לייצב את הלהב להידוק האום היטב נגד **כיוון השעון**.
5. הכניסו פין פציל חדש מצורף לתוך החור במוט המנוע. כופפו את שתי רגלי הפין בכיוונים הפוכים בעזרת פלייר שפיץ (לא כלול) (איר G).

### החלפה של הגלגל המנחה

1. עצרו את המנוע והסירו את מארז הסוללה.
2. הניחו את הקוצץ על גבו כך שהגלגל המנחה יפנה כלפי מעלה.
3. שחררו את כפתור התאמת העומק בכיוון של חץ ביטול הנעילה המסומן על הכפתור והסירו אותו.
4. הסירו את דסקית הקפיץ, הדסקית הפשוטה 1, הגלגל המנחה, דסקית התותב המסב והדסקית הפשוטה 2 ממוט הבורג (איר K). בדקו והחליפו אותם אם הם נשחקו.
5. הרכיבו את מוט הבורג תחילה דרך המוט המנחה להתאמת עומק ואז הרכיבו את הדסקית הפשוטה 2, התותב המסב והגלגל החדש לאחר מכן הרכיבו את הדסקית הפשוטה 1, דסקית הקפיץ וכפתור התאמת העומק על מוט הבורג ברצף המוצג באיור K. ראו למטה תיאור חלקים באיור K:

K-1	כפתור התאמת העומק	K-5	תותב מסב
K-2	דסקית קפיץ	K-6	דסקית פשוטה 2
K-3	דסקית פשוטה 1	K-7	מוט הבורג
K-4	גלגל מנחה	K-8	מוט מנחה להתאמת העומק

**הודעה:** יש להרכיב את הגלגל המנחה כשהצלעות השטוחות שלו פונות כלפי פנים (איר L). ראו למטה תיאור חלקים באיור L:

L-1	ברגים	L-3	דש פסולת
L-2	צלע שטוחה	L-4	לוח קיבוע

שמרו על אחיזה יציבה בשתי ידיים בזמן הפעלת הכלי. יש לאחוז את הקוצץ בתנוחה נוחה כשהידיים האחוריות בערך גובה המותניים (איור B).

**⚠ אזהרה:** רצועת הכתף מוזהו גם מנגנון שחרור מהיר במצבים מסוכנים. בעת מצב חירום, הסירו אותה מיד, ללא קשר לדרכך בה היא חוברת.

## לאחר כל שימוש, נקו את הקוצץ

עיינו בסעיף תחזוקה להוראות הניקוי.

## התאמת עומק החיתוך

1. עצרו את המנוע והסירו את מארז הסוללה.
2. שחררו את כפתור התאמת העומק בכיוון של חץ ביטול הנעילה המסומן על הכפתור (איור C).
3. הזיזו את הגלגל המנחה לאורך המוט המנחה להתאמת העומק, הזיזו כלפי מעלה להגדלת עומק החיתוך או למטה כדי להקטין את עומק החיתוך (איור D).
4. התאימו את הגלגל המנחה כך שהלהב ייגע בקרקע או ישבור את פני השטח של האדמה ב-5 מ"מ לכל היותר (איור E) ואז הדקו אותו היטב.
5. כשאתם עומדים בתנוחת עבודה רגילה, בדקו את עומק החתך שוב ותקנו לפי הצורך.

## להפעלה/לכיבוי של כלי העבודה

עיינו בסעיף „הפעלה/כיבוי של הראש החשמלי” במדריך למשתמש של הראש החשמלי / PH1400E/PH1420E/PHX1600.

## עצות להפעלה

- אחזו והובילו את הראש החשמלי כך שהלהב יהיה מאונך. השתמשו בקו הראיה כדי ליישר את הלהב עם קצה הערוגה (איור F).
- הפעילו בקצב שאינו עולה על קצה הליכה נורמלי. אם הלהב מתחיל לשקוע, אתם קוצצים במהירות גדולה מידי, האטו את הקצב שלכם.
- צעדו תמיד קדימה כשאתם קוצצים והזיזו את הקוצץ קדימה. אל תמשכו את הקוצץ לכיוונכם.
- אל תכפו את הקוצץ לתוך הקרקע. מגע קל של הלהב כנגד קצה/שפת המדרכה, הוא מקובל ולא יפגע בקוצץ.
- תוצאות מיטביות מושגות כאשר הדשא יבש. הימנעו מקיפוף באזורים של אדמה רטובה או דשא רטוב, אחרת מגן הלהב עשוי להיחסם ולגרום לקיפוף לא אחיד. אם מגן הלהב נחסם, עצרו את המנוע, הסירו את מארז הסוללה, והוציאו את הפסולת ממגן הלהב.

## תחזוקה

**⚠ אזהרה:** לפני בדיקה, ניקיון או עבודות שירות עבור היחידה, עצרו את המנוע, חכו שכל החלקים הנעים יפסיקו את פעולתם והסירו את מארז הסוללה. אי ביצוע הוראות אלה עשוי לגרום לפגיעה אישית חמורה או נזק לרכוש.

**⚠ אזהרה:** לעולם אין להפעיל את המכשיר כאשר המגן איננו נמצא במקומו. על המגן להיות תמיד על גבי המכשיר על מנת להגן על המשתמש! כאשר המגן נמצא במקומו, לעולם אין לנסות להסיר או לכונן את המגן. אם יש צורך להחליף את המגן, על הדבר להיעשות על ידי טכנאי שירות מוסמך!

## חיבור אביזר הקוצץ לראש החשמלי

אביזר קוצץ זה מיועד לשימוש עם ראש חשמלי EGO PH1400E/PH1420E/PHX1600 ליתיום-יון 56V.

עיינו בסעיף „חיבור אביזר לראש החשמלי” במדריך למשתמש של הראש החשמלי / PH1400E/PH1420E/PHX1600.

## הפעלה

**⚠ אזהרה:** אל תניחו לעובדה שאתם מכירים את המוצר להפוך אתכם לפחות זהירים. זכרו שחוסר זהירות של שבריר אחד של שנייה מספיק לגרום לפגיעה אישית חמורה.

**⚠ אזהרה:** חבשו תמיד משקפי הגנה, ביחד עם מגני שמיעה. אם לא תעשו זאת עצמים עלולים להיזרק אל תוך העיניים שלכם ועלולות להיגרם פציעות חמורות אחרות. **יישומים**

אתם יכולים להשתמש במוצר זה רק עבור המטרה להלן:

- קיפוף סביב שבילי גישה, מדרכות, ערוגות פרחים ואזורים דומים אחרים.

**הודעה:** יש להשתמש במכשיר רק עבור המטרות להן הוא יועד. כל שימוש אחר ייחשב לשימוש בלתי הולם.

**לפני כל שימוש, בדקו עבור חלקים עם בלאי/ניזוקים** בדקו את הלהב, את המגן ואת ידי העזר הקדמית והחלופי את החלקים הסדוקים, המלופפים, המעוקלים או הניזוקים בכל צורה שהיא.

**⚠ אזהרה:** על מנת למנוע פציעות אישיות חמורות, הסירו את מארז הסוללה מן הכלי לפני ביצוע כל עבודות שירות, ניקיון, החלפת אביזרים או הסרה של חומרים מן היחידה.

## שימוש באביזר הקוצץ עם הראש החשמלי

**⚠ אזהרה:** לבשו בגדים מתאימים על מנת להפחית את הסיכון לפציעות בעת השימוש בכלי זה. אל תלבשו בגדים רפויים או תכשיטים. השתמשו בהגנה לעיניים / אוזניים. לבשו מכנסיים כבדים, ארוכים, מגפיים וכפפות. אל תלבשו מכנסיים קצרים או סנדלים ואל תפעילו כאשר אתם יחפים. לבשו מסכת פנים או מסכת אבק במקומות מאובקים.

**⚠ אזהרה:** פנו את כל המכשולים והחפצים המוצקים מאזור העבודה.

עבור הפעלה טובה ובטוחה יותר, העבירו את רצועת הכתף מעל לכתף. התאימו את רצועת הכתף בתנוחת הפעלה נוחה.

החזיקו את הקוצץ כשהידי הימנית שלכם על הידית האחורית והידי השמאלית שלכם על ידי העזר הקדמית.

## רשימת אריזה

שם חלק	כמות
אביזר הקיצוץ	1
מפתח משושה	1
מפתח ברגים רב שימושי	1
פין פציל	2
מדריך למפעיל	1

### להב מומלץ

שם חלק	מספר דגם
להב הקוץ	AEB0800

## תיאור

### הכירו את אביזר קוץ הדשא שלכם (תמונה A)

1. מכסה אחורי
2. מוט הקוץ
3. מגן להב
4. להב
5. כפתור התאמת העומק
6. גלגל מנחה
7. מפתח משושה
8. מפתח ברגים רב שימושי
9. מוט מנחה להתאמת העומק
10. דש פסולת
11. פין פציל
12. בורג לנעילת הלוחית המנחה במקומה
13. לוחית מנחה

## הרכבה

**⚠ אזהרה:** אם ישנם חלקים ניזוקים או חסרים, אל תפעילו את המכשיר עד אשר חלקים אלו יוחלפו. שימוש במכשיר זה עם חלקים פגומים או חסרים עלול לגרום לפציעה אישית חמורה.

**⚠ אזהרה:** אל תנסו לשנות את המוצר או ליצור אביזרים אשר אינם מומלצים לשימוש ביחד עם הקוץ. כל שינוי או הוספה שכזה מהווה שימוש לא נכון במכשיר ועלול לגרום לתנאים מסוכנים אשר יובילו לפציעה אישית חמורה אפשרית.

**⚠ אזהרה:** על מנת למנוע הפעלה מקרית אשר עלולה להוביל לפציעה אישית חמורה, הסירו תמיד את מארז הסוללה מן המכשיר בעת הרכבת חלקים.

**⚠ אזהרה:** חבשו תמיד כפפות בעת הרכבת או החלפת המגן. היו זהירים עם הלהב שעל גבי המגן והגנו על הידיים שלכם מפני חיתוך.

79.8 dB(A) K=3 dB(A) (PH1400E)	רמת לחץ קול באוזן המפעיל $L_{PA}$	
81.2 dB(A) K=3 dB(A) (PH1420E)		
84 dB(A) K=3 dB(A) (PHX1600)		
95 dB(A)	רמת עוצמת קול מובטחת $L_{WA}$ (נמדדת על פי 2000/14/EC)	
1.2 מ' /שנייה <sup>2</sup> 1.5 מ' /שנייה <sup>2</sup> = K (PH1400E)	ידיית עזר קדמית	רטט $a_h$
1.95 מ' /שנייה <sup>2</sup> 1.5 מ' /שנייה <sup>2</sup> = K (PH1420E)		
1.6 מ' /שנייה <sup>2</sup> 1.5 מ' /שנייה <sup>2</sup> = K (PHX1600)	ידיית אחורית	
2.2 מ' /שנייה <sup>2</sup> 1.5 מ' /שנייה <sup>2</sup> = K (PH1400E)		
1.66 מ' /שנייה <sup>2</sup> 1.5 מ' /שנייה <sup>2</sup> = K (PH1420E)		
1.53 מ' /שנייה <sup>2</sup> 1.5 מ' /שנייה <sup>2</sup> = K (PHX1600)		

- הפרמטרים לעיל נבדקים ונמדדים ביחד עם ראש חשמלי PH1400E/PH1420E/PHX1600;
- ערך הרטט הכללי המוצהר נמדד בהתאם לשיטת בדיקה סטנדרטית וניתן להשתמש בו על מנת להשוות ציוד אחד עם ציוד אחר;
- ניתן להשתמש בערך הרטט הכללי המוצהר בהערכה ראשונית של חשיפה.
- **הודעה:** פליטת הרטט בעת השימוש המעשי בכלי יכולה להיות שונה מן הערך המוצהר כאשר הכלי נמצא בשימוש; על מנת להגן על המפעיל, על המשתמש ללבוש כפפות ומגני אוזניים בעת השימוש למעשה.

## תחזוקה ואחסון

- שימרו על כל האומים, הבריחים והברגים הדוקים על מנת לוודא שהציוד נמצא בתנאי עבודה טובים.
- החליפו חלקים בלויים או פגומים.
- אל תנסו לתקן את המכונה אלא אם אתם מוכשרים לעשות זאת.
- השתמשו רק בחלקי חילוף ואביזרים המומלצים על ידי היצרן.
- נתקו את המכשיר מהסוללה לפני ביצוע של עבודות תחזוקה או ניקיון.
- בדקו ותחזקו את המכשיר באופן סדיר. תקנו את המכונה רק בעזרת טכנאי המוסמך לכך.
- כאשר איננה בשימוש, אחסנו את המכונה מחוץ להישג ידם של ילדים.
- אם תיתקלו במצבים שאינם מתוארים במדריך זה, פעלו בזהירות ובעזרת שכל ישר. צרו קשר עם מרכז השירות של EGO לעזרה.
- שימרו על הוראות אלו. עיינו בהם בתדירות גבוהה והשתמשו בהם על מנת להדריך אחרים אשר עשויים להשתמש במכשיר. אם אתם מלווים את הכלי למישהו אחר, תנו לו גם את ההוראות הללו על מנת למנוע שימוש לא נכון במכשיר או פציעות אפשריות.

## שימרו על הוראות האלה

הערה: עיינו בהוראות השימוש לראש חשמלי לכללי בטיחות ספציפיים נוספים.

## מפרטים

אורך הלהב	20 ס"מ
עומק קיצוץ	עד ל-75 מ"מ
משקל	2.26 ק"ג
הלעפה תרותרפמט	-15°C - 40°C
ווסחא תרותרפמט	-20°C - 70°C
רמת עוצמת קול נמדדת $L_{WA}$	92.4 dB(A) K=2.07 dB(A) (PH1400E)
	90.7 dB(A) K=1.46 dB(A) (PH1420E)
	90 dB(A) K=1.3 dB(A) (PHX1600)

- וודאו שהלהב עצר לפני מעבר על משטחים אחרים שאינם דשא ובעת הובלת הקוצץ מן ואל האזור שיש לקצץ.
- לעולם אל תפעילו את הקוצץ עם מגנים פגומים, חסרים או כאלה שאינם מותאמים כראוי.
- אל תחליפו את הגדרות השליטה במנוע או תפעילו את המנוע במהירות יתר.
- הפעילו את מתג המנוע בהתאם להוראות וכאשר הרגליים שלכם נמצאות הרחק מן הלהב(ים).
- אל תטו את המכשיר בעת לחיצה על מתג הפעלת המנוע, אלא אם כן יש צורך בהטיית הקוצץ לשם ההפעלה. במקרה זה, אל תטו את המכשיר מעבר למידת הצורך והרימו רק את הצד אשר לא נמצא ליד המפעיל.
- אל תפעילו את המנוע כאשר עובר אורח עומד לפני הלהבים.
- אל תניחו את הידיים או הרגליים שלכם ליד או מתחת לחלקים מסתובבים.
- הקפידו תמיד לכבות את המנוע ולנתק אותו מהסוללה.
  - (1) לפני פינוי חסימות;
  - (2) לפני בדיקה, ניקיון או עבודה על הלהב(ים);
  - (3) לאחר פגיעה בעצם זר: בדקו את הלהב(ים) לאיתור נזק ותקנו אותו לפני הפעלה מחדש ותפעול הקוצץ;
  - (4) אם הקוצץ מתחיל לרטוט באופן שאיננו נורמלי (בדקו מיד).
- כבו את המנוע בכל פעם שאתם עוזבים את המכונה; אל תטעינו את מארז הסוללה בתנאי גשם, או במקומות יבשים.
- A השתמשו רק עם מארזי הסוללה והמטענים הרשומים באיור
- יש להסיר את מארז הסוללה מן הציוד טרם זריקתו.
- יש להשליך את הסוללות בדרך בטוחה.
- אל תזרקו את הסוללה אל תוך אש חיה. התאים שבה עלולים להתפוצץ. בדקו עם הרשויות המקומיות עבור הוראות השלכת פסולת מיוחדות עבור הסוללות.
- אל תפתחו או תשחיתו את הסוללה. מוליכי חשמל משוחררים גורמים לקורוזיה ועלולים לגרום לנזק לעיניים או לעור. הם עלולים להיות רעילים בעת הבליעה.
- היו זהירים בעת הטיפול בסוללות על מנת לא לגרום לקצר סוללה עם חומרים מוליכים כגון טבעות, צמידים ומפתחות. הסוללה או המוליך עלולים להתחמם ולגרום לכוויות.
- כלי הסוללה לא צריכים להיות מחוברים אל החשמל; לכן, הם תמיד נמצאים במצב הפעלה. היו מודעים לסכנות גם כאשר המכשיר איננו פועל. היו זהירים בעת ביצוע עבודות תחזוקה או שירות.
- נא לא לשטוף את המכשיר בעזרת צינור; מנעו ממים להיכנס אל המנוע ואל חיבורי החשמל.



המתג הוא מסוכן ויש לתקן אותו.  
 נתק את התקע ממקור החשמל ו/או הסירו את מארז הסוללה מן המכשיר, אם ניתן, לפני ביצוע כל התאמה, שינוי של אביזרים, או אחסון של מכשירים. אמצעי זהירות למניעה אלו מפחיתים את הסיכון להפעלה מקרית של המכשיר.

- **יש לאחסן את המכשיר כשאינו בשימוש מחוץ להישג ידם של ילדים ואין לאפשר לאנשים שאינם מכירים את המכשיר או את ההוראות האלה להפעיל את המכשיר.** מכשירים מסוכנים כאשר הם בהישג ידם של אנשים אשר לא הוכשרו להפעיל אותם.
- **תחזקו מכוונות ואביזרים. בדקו יישור או ליפוף של חלקים נעים, שבירה של חלקים ותנאים אחרים אשר עלולים להשפיע על פעולת המכשיר. במקרה של נזקים, יש לתקן את המכשיר לפני השימוש.** תאונות רבות נגרמות כתוצאה מתחזוקה לקויה של מכשירים.

### הוראות בטיחות חשובות

**⚠ אזהרה!** בעת השימוש במכשירי גינון חשמליים, יש לעקוב תמיד אחר אמצעי הזהירות הבסיסיים על מנת להפחית את הסיכון לשרפות, שוק חשמלי או פציעות אישיות, כולל:

### קראו בעיון לפני השימוש

#### שמרו לעיון עתידי

**⚠ סכנה!** נא לא להסתמך על בידוד הכלי נגד שוק חשמלי. על מנת להפחית את סיכון השוק החשמלי לעולם אל תפעילו את המכונה בקרבת חוטים או כבלים (מתח וכו') העלולים להוביל זרם חשמלי.

**⚠ זהירות!** השתמשו בהגנה מתאימה לאוזניים בעת השימוש. בתנאים מסוימים ובתקופות מסוימות של שימוש, הרעש ממוזר זה עלול לתרום לאבדן השמיעה.

#### הכשרה

- קראו את ההוראות בעיון. למדו היטב את הבקורות ואת השימוש המתאים בצידוד.
- לעולם אל תרשו לילדים או אנשים אשר אינם מכירים הוראות אלו להשתמש בקוצץ. תקנות מקומיות עלולות להגביל את גיל המפעיל.
- לעולם אל תקצצו כאשר ישנם אנשים, במיוחד ילדים, או חיות מחמד בסביבה.
- המפעיל או המשתמש אחראיים עבור כל תאונה או סכנה אשר עלולים להתרחש לאנשים אחרים או לרכושם.

#### הכנה

- בזמן הקיצוץ, נעלו תמיד נעליים מוצקות ולבשו מכנסיים ארוכים.
- בדקו בעיון את האזור בו אתם רוצים להשתמש בצידוד והסירו את כל האבנים, המקלות, הכבלים, עצמות ועצמים זרים אחרים.
- לפני השימוש, בדקו תמיד שאין סימני בלאי או נזקים על גבי הלהבים, בורגי הלהבים וכל מערך החיתוך. החליפו להבים או ברגים בלויים או פגומים בסטים על מנת לשמור על איזון.

#### הפעלה

- קצצו רק באור יום או באור מלאכותי חזק.
- בעת השימוש על גבי מדרונות, היו בטוחים בצעדים שלכם.
- הקפידו ללכת, לעולם אל תרוצו.
- היו זהירים מאד בעת הליכה לאחור או כאשר אתם מושכים את הקוצץ אליכם.

■ **יש להישג ידם של ילדים ואין לאפשר לאנשים שאינם מכירים את המכשיר או את ההוראות האלה להפעיל את המכשיר.** מכשירים מסוכנים כאשר הם בהישג ידם של אנשים אשר לא הוכשרו להפעיל אותם.

■ **תחזקו מכוונות ואביזרים. בדקו יישור או ליפוף של חלקים נעים, שבירה של חלקים ותנאים אחרים אשר עלולים להשפיע על פעולת המכשיר. במקרה של נזקים, יש לתקן את המכשיר לפני השימוש.** תאונות רבות נגרמות כתוצאה מתחזוקה לקויה של מכשירים.

■ **שמרו על מכוונות חיתוך חדות ונקיות.** למכשירי חיתוך אשר תוחזקו כהלכה בעלי קצוות חדים יש פחות סיכוי לבצע ליפוף וקל יותר לשלוט בהם.

■ **השתמשו במכשירים, באביזרים, בביטים של המכשירים וכו' בהתאם להוראות אלו, כאשר אתם לוקחים בחשבון את תנאי העבודה ואת העבודה שיש לבצע.** השימוש במכשיר לפעולות שלהן הוא אינו מיועד עלול להוביל למצב מסוכן.

■ **יש לשמור על הידיות ועל חלקי האחיזה יבשים, נקיים וללא שמן או חומרי סיכה.** ידיות ומשטחי אחיזה מחליקים לא מאפשרים טיפול נכון ושליטה במכשיר במצבים לא צפויים.

#### השימוש והטיפול בסוללת המכשיר

- **יש להטעין רק עם המטען המצוין על ידי היצרן.** מטען המתאים למארז סוללה אחד עלול ליצור סכנת אש עבור מארז סוללה אחר.
- **יש להשתמש במכשירים אך ורק עם מארזי הסוללה המיועדים להם.** השימוש במארזי סוללה אחרים עלול ליצור סיכון לפציעות ושרפות.
- **כאשר מארז הסוללה איננו בשימוש, שימרו עליו במרחק מסוים מעצמים אחרים העשויים ממתכת, כגון מהדקי נייר, מטבעות, מפתחות, מסמרים, ברגים או עצמים קטנים ממתכת העלולים לבצע חיבור של מסוף אחד למשנהו.** ביצוע קצר בין מסופי הסוללה עלול לגרום לכוויות או שריפה.
- **בתנאי שימוש לא נאותים, נוזל עלול להיפלט מן הסוללה; הימנעו ממגע עמו. אם ישנו מגע מקרי, שטוף את האזור במים. אם מתרחש מגע עם העיניים, פנו לעזרה רפואית.** נוזל הנפלט מן הסוללה עלול לגרום לפריחה או כוויות.

■ **אל תשתמשו במארז סוללה או מכשיר ניזוקים או אשר שונו.** סוללות ניזוקות או אשר שונו עלולות להתנהג בצורה לא צפויה אשר עלולה להסתיים בשרפה, פיצוץ או סיכון לפציעה אישית.


■ **אל תחשפו את מארז הסוללה או את המכשיר לאש או לטמפרטורות גבוהות.** חשיפה אל אש

מארך המתאים לשימוש בחוץ. השימוש בכבל מאריך המתאים לשימוש בחוץ מפחית את הסיכון לשוק חשמלי.

- אם לא ניתן להימנע מהפעלת המכשיר במקום לח, עשו שימוש במפסק פחת (ICFG) להגנה על המתח. שימוש ב-GFCI מפחית את הסיכון להתחשמלות.

## ביטחון אישי

- יש להישאר דרוכים ומודעים, ולהשתמש בשכל הישר בעת שימוש במכשיר. נא לא להשתמש במכשיר כאשר אתם עייפים או תחת השפעה של סמים, אלכוהול או תרופות. רגע אחד של חוסר תשומת לב בעת הפעלת מכשירים עלול לגרום לפציעה אישית חמורה.
  - השתמשו בציוד הגנה אישי. חבשו תמיד מגני עיניים. כאשר נעשה שימוש בציוד הגנה כגון מסכת אבק, נעלי בטיחות נגד החלקה, כובעים קשים או מגני אוזניים, בתנאים המתאימים, הדבר יפחית את הסיכון לפציעות אישיות חמורות.
  - יש להימנע מהפעלה מקרית. וודאו שהמתג נמצא במצב כבוי לפני חיבור מתח או מארז הסוללה, לפני הרמת המכשיר או נשיאתו. נשיאה של מכשירים כאשר האצבע שלכם ממוקמת על המתג או חיבור מקורות מתח למכשירים הנמצאים במצב פועל, מזמינים תאונות.
  - יש להסיר כל כלי כוונן או מפתח ברגים לפני הפעלת המכשיר. מפתח ברגים או כלי כוונן המוצמדים אל הרכיב מסתובב של המכשיר עלול לגרום לפציעה אישית חמורה.
  - יש להימנע מהשושטת יתר. יש לשמור על צעד ואיזון בטוחים בכל עת. הדבר מאפשר שליטה טובה יותר במכשיר במצבים בלתי צפויים.
  - יש ללבוש בגדים מתאימים. אין ללבוש בגדים רפויים או תכשיטים. יש לשמור על השיער ועל חלקי ביגוד הרחק מחלקים נעים. בגדים רפויים, תכשיטים או שיער ארוך עלולים להיתפס בחלקים הנעים.
  - אם המכשירים מגיעים ביחד עם חיבור להוצאת אבק ומתקני איוסוף, וודאו שאלו מחוברים כהלכה והשימוש בהם נעשה באופן נכון. השימוש במתקנים לאיוסוף אבק יכול להפחית סכנות הקשורות לאבך.
  - נקטו זהירות בעת השימוש במכשיר גם לאחר שאתם בקיאים בשימוש, ואל תיתנו לנוחיות השימוש שלכם להפוך אותכם לשאננים ולהתעלם מעקרונות הבטיחות. פעולה לא זהירה עלולה לגרום לפציעה חמורה שבבריר שנייה.
- ## שימוש וטיפול במכונה
- אל תכריח את המכונה. השתמשו במכשיר המיועד למטרה שלכם. המכשיר הנכון יבצע את עבודתו בצורה טובה ובטוחה יותר בקצב בו הוא תוכנן לפעול.
  - אין להשתמש במכשיר אם מתג ההפעלה והכיבוי אינו פועל. מכשיר אשר לא ניתן לשלוט בו בעזרת

רמת עוצמת קול מובטחת. פליטת רעש אל הסיבה בהתאם לתקנת האיחוד האירופי.	רעש	
מתח	ולט	V
אורך או גודל	מילימטר	mm
אורך או גודל	סנטימטר	cm
משקל	קילוגרם	kg
סוג או מאפיין זרם	זרם ישיר	

## אזהרות בטיחות כלליות למכשיר

**⚠ אזהרה! קראו את כל אזהרות הבטיחות, את ההוראות, התמונות והמפרטים המסופקים ביחד עם מכשיר זה.** אי מילוי כל ההוראות המופיעות למטה עלול לגרום להלם חשמלי, שרפה ו/או פציעה חמורה.

## שימרו את כל האזהרות וההוראות לעיון עתידי.

המושג "מכשיר" בחלק האזהרות מתייחס אל המכשיר שלכם (חוט) או מכשיר המונע על ידי סוללות (אלחוט).

## בטיחות באזור העבודה

- שימרו על סביבת העבודה נקייה ומוארת כהלכה. סביבות לא מסודרות ואפלות מזמינות תאונות.
- אל תפעילו מכשירים באזורים דליקים, בנוכחות נוזלים דליקים, גזים או אבק. מכשירים מייצרים ניצוצות העלולים להצית את האבק או האדים.
- בקשו מילדים ומעוברי אורח להתרחק מן המכשיר בעת הפעלתו. הסחות דעת עלולות לגרום לכם לאבד שליטה.

## בטיחות חשמל

- התקעים של המכשיר צריכים להיות מתאימים לשקע. לעולם אל תשנו את התקע בכל צורה שהיא. אל תשתמשו במתאמים עבור תקעים של מכשירים בעלי הארקה. תקעים שלא שונו ושקעים מתאימים יפחיתו את הסיכון לשוק חשמלי.
- הימנעו ממגע עם משטחים בעלי הארקה, כגון צינורות, רדיאטורים, כיריים ומקררים. יש סיכון גבוה להלם חשמלי אם הגוף שלכם מוארק.
- אין להפעיל את המכשיר בתנאי גשם או רטיבות. כניסת מים למכשיר עלולה להגביר את הסיכון לשוק חשמלי או לתקלה העלולים לגרום לפציעה גופנית.
- אל תפעילו לחץ על הכבל. לעולם אל תשתמשו בכבל על מנת לשאת, למשוך או להוציא את המכשיר מן השקע. שימרו על הכבל הרחק ממקורות חום, שמן, קצוות חדים או חלקים נעים. כבלים ניזוקים או מלופפים מגבירים את הסיכון לשוק חשמלי.
- בעת הפעלת המכשיר בחוץ, עשו שימוש בכבל

מראה על סכנת פגיעה אישית פוטנציאלית.	התראת בטיחות	
על מנת להפחית את הסיכון לפגיעות, על המשתמש לקרוא ולהבין את המדריך למשתמש לפני השימוש במוצר זה.	קראו את מדריך ההוראות	
חבשו תמיד מגני אוזניים ומשקפי מגן או משקפי בטיחות עם הגנה צדדית, ובעת הצורך, הגנה עבור כל הפנים, בעת הפעלת מוצר זה.	חבשו תמיד מגני עיניים ואוזניים.	
אורך הלהב של הקוצץ	אורך הלהב של הקוצץ	
המרחק בין המכשיר ובין עוברי הארצה בקרבתו צריך להיות לפחות 15 מ.	בקשו מאנשים אחרים להתרחק מן המכונה	
מציין את כיוון הסיבוב של להב הקוצץ.	כיוון סיבוב להב הקוצץ	
פסולת של הקוצץ עשויה להשפיע על יציבות העמידה. היזהרו במיוחד כאשר אתם פוסעים באזור הקיצוץ.	חפצים מושלכים	
נעלו נעליים בטוחות שאינן מחליקות בעת השימוש בציוד.	לבשו נעליים בטוחות	
אל תניחו את הידיים או הרגליים שלכם ליד או מתחת לחלקים מסתובבים.	להב חיתוך מסתובב	
כדי למנוע התחשמלות, אל תפעילו במרחק קטן מ 15 מטר מקווי חשמל עליים. מגע בקווי חשמל או עבודה בקרבתם עלולה לגרום לפגיעה חמורה או להלם חשמלי שיגרם למוות.	שמרו על מרחק מספק מקווי החשמל	
מוצר זה תואם לתקנות ה-EC הרלוונטיות.	CE	
מוצר זה הוא בהתאם לחוקים הרלוונטיים בבריטניה.	UKCA	
אין לזרוק מוצרים חשמליים ביחד עם אשפה ביתית. הביאו את המכשיר למרכז מחזור מוסמך.	WEEE	

## קראו את כל ההוראות!

קראו את מדריך ההוראות

**אזהרה:** על מנת להבטיח בטיחות ואמינות, יש לבצע את כל התיקונים וההחלפות בעזרת סכנאי שירות מוסמך.

### סימני בטיחות

מטרתם של סימני הבטיחות היא למשוך את תשומת לבכם אל סכנות אפשריות. סימני הבטיחות וההסברים שלהם דורשים את תשומת הלב וההבנה המלאות שלכם. סימני הבטיחות בעצמם לא ימנעו כל סכנה. ההוראות והאזהרות אותן הם מספקים לא תחלפנה נקיטת אמצעי מניעה מתאימים בעת תאונה.

**אזהרה:** וודאו שאתם קוראים ומבינים את כל ההוראות הבטיחות המופיעות במדריך זה למשתמש, כולל את כל סימני ההוראות הבטיחות כגון, "סכנה", "אזהרה" ו-"זהירות" לפני השימוש במכשיר זה. אי מילוי אחר כל ההוראות המופיעות למטה יכול לגרום להלם חשמלי, שרפה ואו פגיעות אישיות חמורות.

### פירוש הסימן

**סימן התרת בטיחות:** מעיד על "סכנה", "אזהרה" או "זהירות". יכול להיות מלווה בסימנים או תמונות אחרים.

**אזהרה:** הפעלה של כלי עבודה חשמליים עלולה לגרום לעצמים זרים להיזרק אל תוך העיניים, דבר העלול לגרום לנזק מורל לעיניים. לפני ההפעלה של כלי עבודה חשמלי, ענדו תמיד משקפי מגן או משקפי בטיחות עם הגנה צדדית, ובעת הצורך, הגנה עבור כל הפנים. אנו ממליצים על שימוש במסכת בטיחות רחבה מעל למשקפי המגן או על שימוש במשקפי בטיחות עם הגנה צדדית.

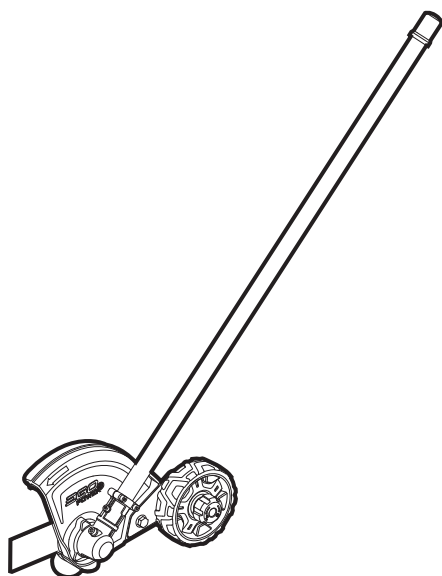


### הוראות בטיחות

עמוד זה מציין ומתאר את סימני הבטיחות העשויים להופיע על גבי המוצר. קראו, הבינו ועקבו אחר ההוראות המופיעות על המכשיר לפני כל ניסיון להרכיב ולהשתמש בו.

# EGO™

POWER<sup>+</sup> EDGER ATTACHMENT



**EA0800**

אביזר הקיצוץ

HE

ملحق تسوية الحواف

AR

