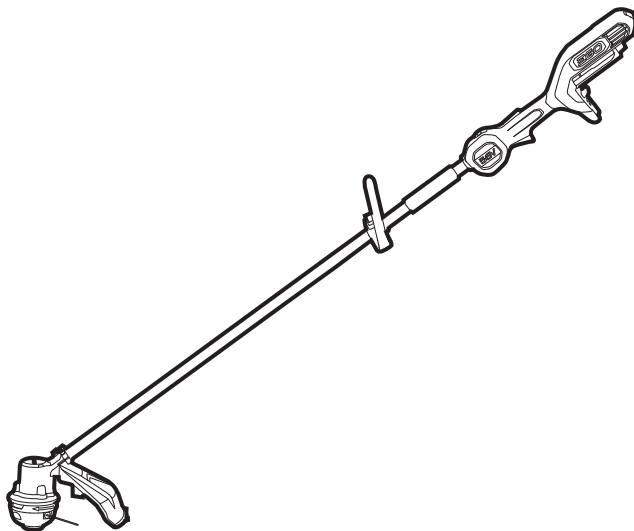


EGO™

POWER⁺ LINE TRIMMER

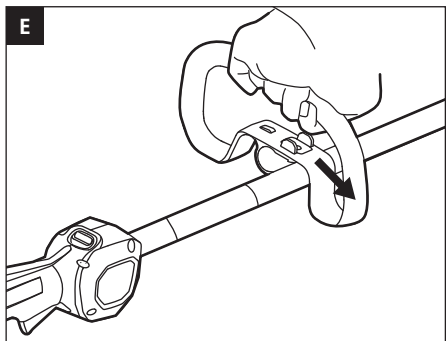
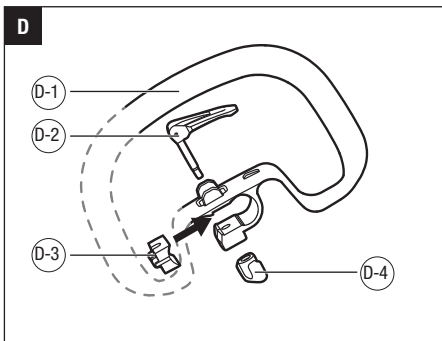
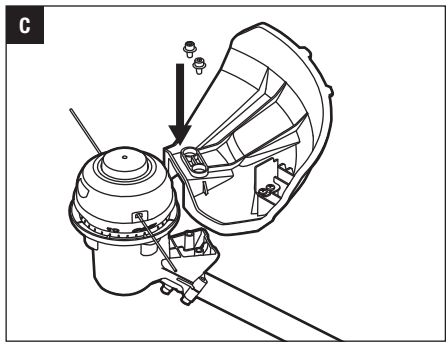
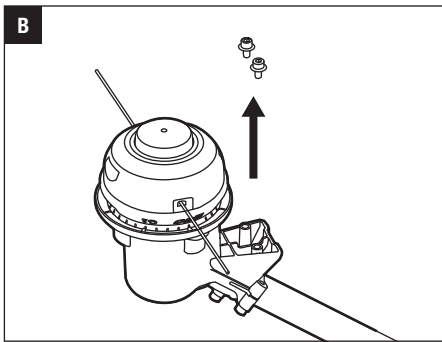
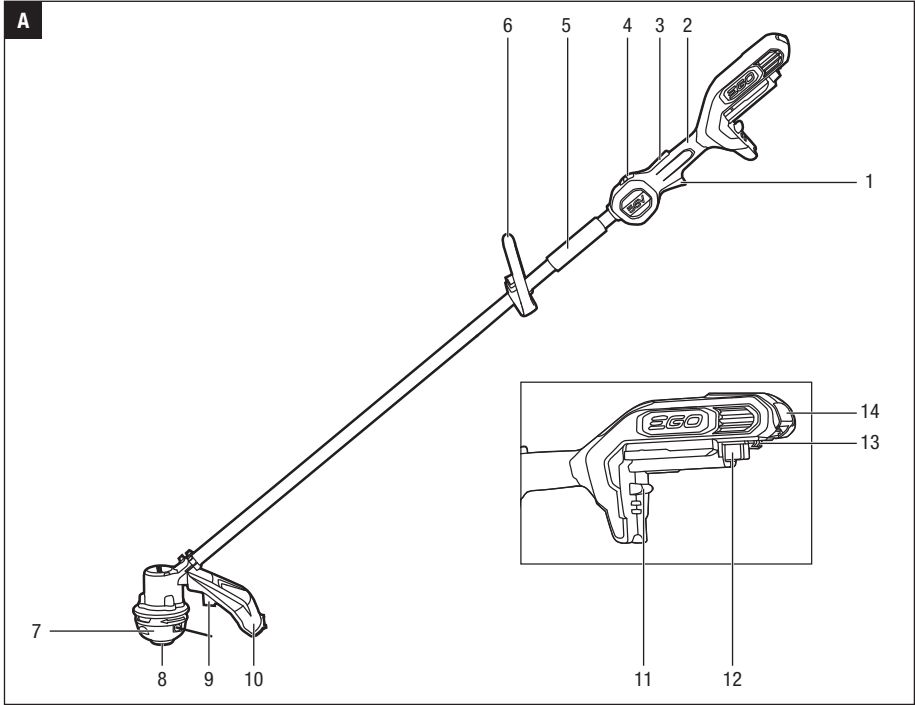


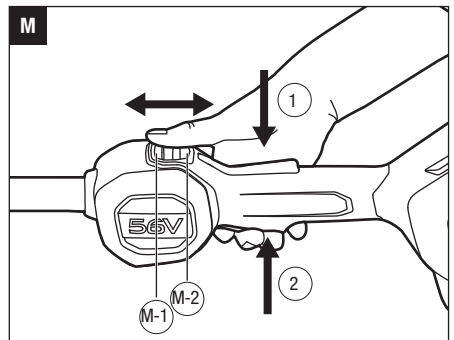
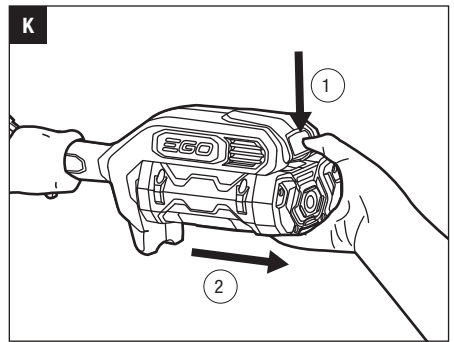
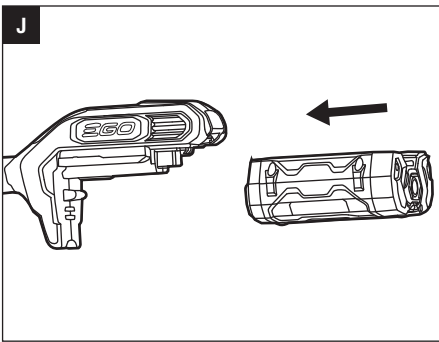
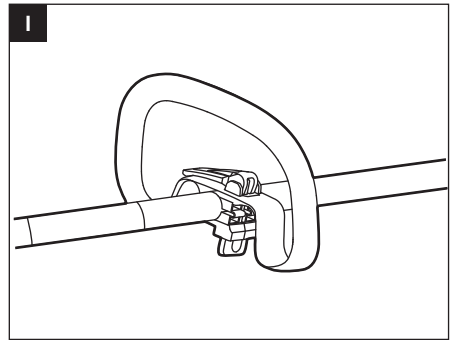
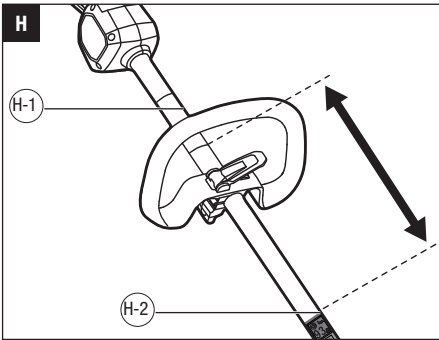
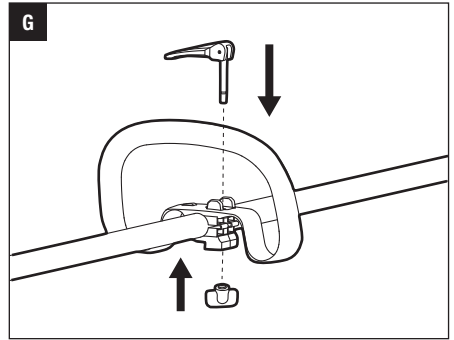
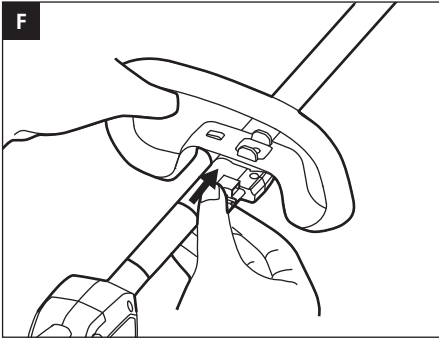
OPERATOR'S MANUAL

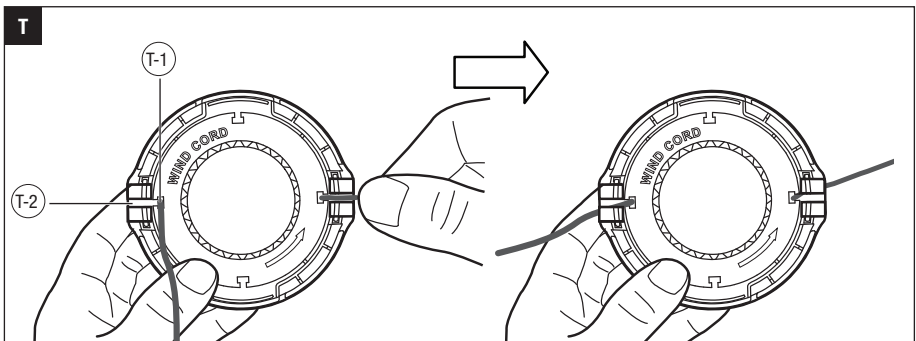
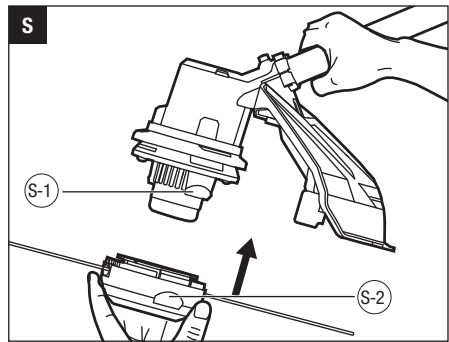
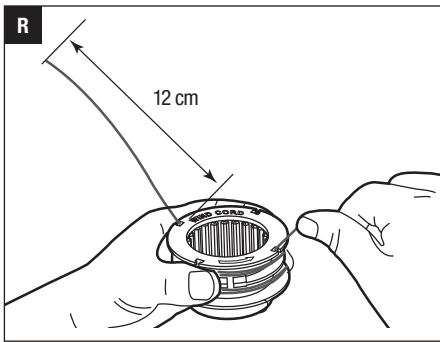
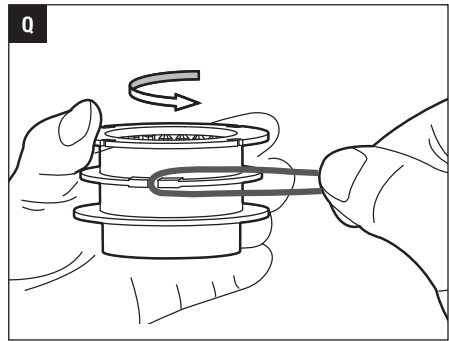
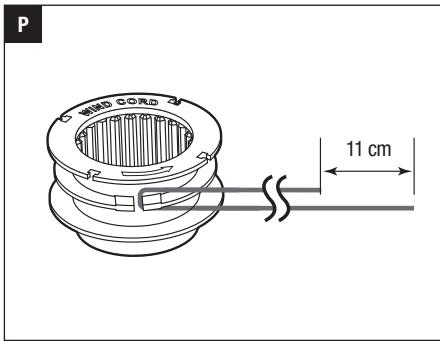
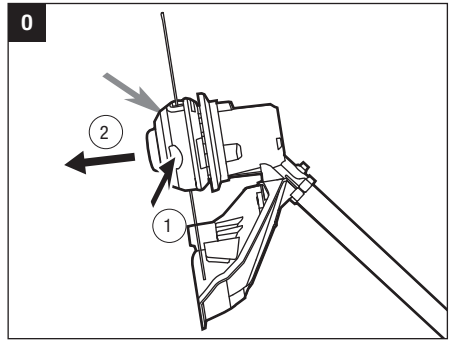
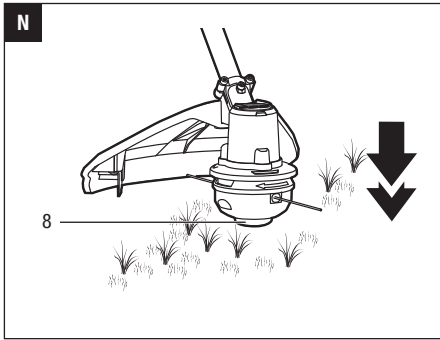
56 VOLT LITHIUM-ION CORDLESS LINE TRIMMER

MODEL NUMBER ST1300E

EN	56 volt lithium-ion cordless line trimmer	5	RU	Беспроводной триммер с леской и литий-ионным аккумулятором 56 в	113
DE	Kabelloser fadenmäher 56 volt	14	PL	Podkaszarka bezprzewodowa z baterią litowo-jonową 56 woltów	124
FR	Taille-bordure sans fil lithium-ion 56 v	24	CZ	56voltová lithiium-íontová akumulátorová strunová sekačka	135
ES	Recortadora de hilo inalámbrica de 56 voltios	34	SK	56V litium-íonová bezdrôtová strunová kosačka	144
PT	Aparador de fio sem fios de 56 volts	46	LT	56 voltų ličio jonų belaidis pjūklas su siūlu	154
IT	Decespugliatore senza fili li-ion 56 volt	56	LV	56 voltu litija jonu bezvadu trimmeris ar auklu	164
NL	56 volt lithium-ion accugrastrimmer	66	ET	56-voldise liitiumioonakuga juhtmata jõhvtrimmer	174
DK	56 volt lithium-ion akku græstrimmer	76			
SE	56 volt lithium-ion-batteri sladdlös græstrimmer	86			
FI	56 voltin litium-ion akkukäyttöinen siimaleikkuri	95			
NO	56 volt lithium-ion gresstrimmer uten ledning	104			







READ ALL INSTRUCTIONS!



READ & UNDERSTAND INSTRUCTION MANUAL

⚠ Residual risk! People with electronic devices, such as pacemakers, should consult their physician(s) before using this product. Operation of electrical equipment in close proximity to a heart pacemaker could cause interference or failure of the pacemaker.

⚠ WARNING: To ensure safety and reliability, all repairs and replacements should be performed by a qualified service technician.

SAFETY SYMBOLS

The purpose of safety symbols is to attract your attention to possible dangers. The safety symbols and the explanations with them deserve your careful attention and understanding. The symbol warnings do not, by themselves, eliminate any danger. The instructions and warnings they give are no substitutes for proper accident prevention measures.

⚠ WARNING: Be sure to read and understand all safety instructions in this Operator's Manual, including all safety alert symbols such as **"DANGER," "WARNING,"** and **"CAUTION"** before using this tool. Failure to following all instructions listed below may result in electric shock, fire, and/or serious personal injury.

SYMBOL MEANING

SAFETY ALERT SYMBOL: Indicates DANGER, WARNING, or CAUTION. May be used in conjunction with other symbols or pictographs.



⚠ WARNING: The operation of any power tools can result in foreign objects being thrown into your eyes, which can result in severe eye damage. Before beginning power tool operation, always wear safety goggles or safety glasses with side shields and a full face shield when needed. We recommend a Wide Vision Safety Mask for use over eyeglasses or standard safety glasses with side shields.

SAFETY INSTRUCTIONS

This page depicts and describes safety symbols that may appear on this product. Read, understand, and follow all instructions on the machine before attempting to assemble and operate.

	Safety Alert	Precautions that involve your safety.
	Read Operator's Manual	To reduce the risk of injury, user must read and understand operator's manual before using this product.
	Wear Eye Protection	Always wear safety goggles or safety glasses with side shields and a full face shield when operating this product.
	Wear Ear Protection	Always wear ear protection when operating this product.
	Line Diameter	The Diameter of the nylon cutting line
	Cutting Width	The Max. cutting width of line trimmer
	No Cutting Blade	Do not install metal or plastic cutting blades
	Do Not Expose To Rain	Do not use in the rain or leave outdoors while it is raining.
	Keep Bystanders Away	Ensure that other people and pets remain at least 15m away from the line trimmer when it is in use.
	Keep Bystanders Away	Ensure that other people and pets remain at least 15m away from the line trimmer when it is in use.
V	Volt	Voltage
A	Amperes	Current
Hz	Hertz	Frequency (cycles per second)
W	Watt	Power
min	Minutes	Time
	Alternating Current	Type of current
	Direct Current	Type or a characteristic of current
n_0	No Load Speed	Rotational speed, at no load
... /min	Per Minute	Revolutions per minute

IMPORTANT SAFETY INSTRUCTIONS

⚠ WARNING: When using line trimmers, basic safety precautions should always be followed to reduce the risk of fire, electric shock, and personal injury, including the following:

READ CAREFULLY BEFORE USE

KEEP FOR FUTURE REFERENCE

⚠ DANGER: Do not rely on the tool's insulation against electric shock. To reduce the risk of electrocution, never operate the machine in the vicinity of any wires or cables (power, etc.) which may carry electric current.

⚠ CAUTION: Wear appropriate personal hearing protection during use. Under some conditions and durations of use, noise from this product may contribute to hearing loss.

TRAINING

- Read the instructions carefully. Be familiar with the controls and the proper use of the machine.
- Never allow people unfamiliar with these instructions or children to use the machine. Local regulations can restrict the age of the operator.
- Keep in mind that the operator or user is responsible for accidents or hazards occurring to other people or their property.

PREPARATION

- Never operate the machine while people, especially children, or pets are nearby.
- Wear eye protection and stout shoes at all times while operating the machine.
- The distance between the machine and bystanders shall be at least 15m.
- Do not use metal blades

OPERATION

- Use the machine only in daylight or good artificial light.
- Never operate the machine with damaged guards or shields or without guards or shields in place.
- Switch on the motor only when the hands and feet are away from the cutting means.
- Always disconnect the machine from the power supply (i.e. remove the plug from the mains or remove the disabling device).
 - whenever leaving the machine unattended;

- before clearing a blockage;
- before checking, cleaning or working on the machine;
- after striking a foreign object;
- whenever the machine starts vibrating abnormally.
- Take care against injury to feet and hands from the cutting means.
- Always ensure that the ventilation openings are kept clear of debris.

MAINTENANCE AND STORAGE

- Disconnect the machine from the power supply (i.e. remove the plug from the mains or remove the disabling device) before carrying out maintenance or cleaning work.
- Use only the manufacturer's recommended replacement parts and accessories.
- Inspect and maintain the machine regularly. Have the machine repaired only by an authorized repairer.
- When not in use, store the machine out of the reach of children.

OTHER SAFETY WARNINGS

- Avoid Dangerous Environments – Don't use trimmers in damp or wet locations.
- Always turn the line trimmer off or remove the battery pack whenever leaving the trimmer unattended.
- Don't Use In Rain.
- Keep Children Away – All visitors should be kept at a distance from work area.
- Dress Properly – Do not wear loose clothing or jewelry. They can be caught in moving parts. Use of rubber gloves and substantial footwear is recommended when working outdoors. Wear protective hair covering to contain long hair.
- Use Safety Glasses – Always use a face or dust mask if operation is dusty.
- Use the Right Tool– Do not use the tool for any job except that for which it is intended.
- Don't Force the Trimmer – It will do the job better and with less likelihood of a risk of injury at the rate for which it was designed.
- Don't Overreach – Keep proper footing and balance at all times.
- Stay Alert – Watch what you are doing. Use common sense. Do not operate the trimmer when you are tired.
- Do not operate the trimmer while under the influence of alcohol or drugs.
- Keep guards in place and in working order.
- Store Trimmer Indoors – When not in use the trimmer

should be stored indoors in a dry and high or locked-up place with the battery pack removed – out of reach of children.

- **Maintain Trimmer With Care** – Keep the cutting attachment clean for best performance and to reduce the risk of injury. Follow instructions for changing accessories. Keep handles dry, clean, and free from oil and grease.
- **Check Damaged Parts** – Before further use of the trimmer, a guard or other part that is damaged should be carefully checked to determine that it will operate properly and perform its intended function. Check for alignment of moving parts, binding of moving parts, breakage of parts, mounting, and any other condition that may affect its operation. A guard or other part that is damaged should be properly repaired or replaced by an authorized service center unless indicated elsewhere in this manual.
- **Clear the area to be cut before each use.** Remove all objects such as rocks, broken glass, nails, wire, or line that can be thrown or become entangled in the cutting attachment. Make sure that other persons and pets are at least 15m away.
- **Before using the machine and after any impact, check for signs of wear or damage and repair as necessary.**
- **Always hold the trimmer firmly, with both hands on the handles while operating.** Wrap your fingers and thumbs around the handles.
- **Avoid Accidentally Starting**—Don't carry the trimmer with your finger on the trigger.
- **Do not operate the trimmer in petrolic or explosive atmospheres.** Motors in these appliances normally spark, and the sparks might ignite fumes.
- **Do not touch moving hazardous parts before turn off the machine (or remove the battery pack from the machine) and the moving hazardous parts have come to a complete stop.**
- **Damage to Trimmer** – If you strike a foreign object with the trimmer or it becomes entangled, stop the tool immediately, remove the battery pack from the line trimmer, check for damage and have any damage repaired before further operation is attempted. Do not operate with a broken guard or spool.
- **If the equipment should start to vibrate abnormally, stop the motor, remove the battery pack from the line trimmer, and check immediately for the cause.** Vibration is generally a warning of trouble. A loose head may vibrate, crack, break or come off the trimmer, which may result in serious or fatal injury. Make sure that the cutting attachment is properly fixed in position. If the head loosens after fixing it in position, replace it immediately. Never use a trimmer with a loose cutting attachment.

- **Replace a cracked, damaged or worn-out cutting head immediately, even if damage is limited to superficial cracks.** Such attachments may shatter at high speed and cause serious or fatal injury.
- **Check the cutting attachment at regular short intervals during operation, or immediately if there is a noticeable change in cutting behavior.**
- **Only use EGO™ authorized polymer trimmer line accessories and trimmer line that are designed for use with this machine.** Although certain unauthorized attachments might be fitted to the EGO™ line trimmer, their use may be extremely dangerous, and/or damaging to the tools.
- **To reduce the risk of serious injury, never use wire or metal-reinforced line or other material in place of the nylon cutting lines.** Pieces of wire could break off and be thrown at high speed toward the operator or bystanders.
- **To reduce the risk of injury from loss of control, never work on a ladder or on any other insecure support.** Never hold the cutting attachment above waist height.
- **If situations occur that are not covered in this manual, use care and good judgment.** Contact the EGO Service Center for assistance.
- **Do not charge the battery pack in rain, or in wet locations.**
- **Use only with EGO's battery packs and chargers.**


BATTERY	CHARGER
BA1120E, BA2240E, BA2800, BA3360, BA4200	CH5500E, CH2100E

- **The battery pack must be removed from the appliance before it is scrapped.**
- **The battery shall be disposed of safely.**
- **Do not dispose of the battery in a fire.** The cells may explode. Check with local authorities for possible special disposal instructions.
- **Do not open or mutilate the battery.** Released electrolyte is corrosive and may cause damage to the eyes or skin. It may be toxic if swallowed.
- **Exercise care in handling batteries in order not to short the battery with conducting materials such as rings, bracelets, and keys.** The battery or conductor may overheat and cause burns.
- **When servicing, use only identical EGO™ replacement parts.** Use of any other accessory or attachment may increase the risk of injury.

- Battery tools do not have to be plugged into an electrical outlet; therefore, they are always in operating condition. Be aware of possible hazards even when the tool is not operating. Take care when performing maintenance or service.
- Do not wash with a hose; avoid getting water in motor and electrical connections.
- Save these instructions. Refer to them frequently and use them to instruct others who may use this tool. If you loan this tool to someone else, also loan these instructions to them to prevent misuse of the product and possible injury.
- Always wear substantial footwear and long trousers while operating the machine.
- Always be sure of the footing on slopes and to walk, never run.

SAVE THESE INSTRUCTIONS!

SPECIFICATIONS

Voltage	56 V 	
No-load Speed	5200-6500 /min	
Cutting Mechanism	Bump Head	
Cutting Line Type	AL0802 2.0mm Nylon twist line	
Cutting Width	33 cm	
Weight (without battery pack)	2.76 kg	
Measured sound power level L_{WA}	89.25 dB(A) K=2.5 dB(A)	
Max. sound pressure level at operator's ear L_{PA}	75.2 dB(A) K=2.5 dB(A)	
Guaranteed sound power level L_{WA} (according to 2000/14/EC)	93 dB(A)	
Valuation of vibration a_h	Front handle	2.134 m/s ² K=1.5 m/s ²
	Rear handle	1.231 m/s ² K=1.5 m/s ²

- The declared vibration total value has been measured in accordance with a standard test method and may be used for comparing one tool with another;
- The declared vibration total value may also be used in a preliminary assessment of exposure.

NOTICE: The vibration emission during actual use of the power tool can differ from the declared value in which the tool is used; In order to protect the operator, user should wear gloves and ear protectors in the actual conditions of use.

PACKING LIST


PART NAME	QUANTITY
Line Trimmer	1
Guard	1
Front-assist Handle Assembly	1
Hex Wrench	1
Operator's Manual	1


DESCRIPTION


KNOW YOUR LINE TRIMMER (Fig. A)

1. Trigger
2. Rear Handle
3. Lock-off Lever
4. Speed Adjustment Switch
5. Soft Sleeve
6. Adjustable Front-assist Handle
7. Trimmer Head (Bump Head)
8. Bump Knob
9. Line-cutting Blade
10. Guard
11. Ejection Mechanism
12. Electric Contacts
13. Latch
14. Battery-release Button


ASSEMBLY

 **WARNING:** If any parts are damaged or missing, do not operate this product until the parts are replaced. Use of this product with damaged or missing parts could result in serious personal injury.

 **WARNING:** Do not attempt to modify this product or create accessories not recommended for use with this line trimmer. Any such alteration or modification is misuse and could result in a hazardous condition leading to possible serious personal injury.

 **WARNING:** To prevent accidental starting that could cause serious personal injury, always remove the battery pack from the tool when assembling parts.

MOUNTING THE GUARD

 **WARNING:** Always wear gloves when mounting or replacing the guard. Take care of the blade on the guard and protect your hand from cutting.

⚠ WARNING: Never operate the tool without the guard firmly in place. The guard must always be on the tool to protect the user! When the guard was fixed, never attempted to remove or adjust the guard, if replace needed, it shall be performed by a qualified service technician!

Loosen and remove the two combination screws from the shaft base (Fig. B). Align the guard mounting holes with the assembly holes and then lock the guard onto the shaft base with the two screws. Make sure the guard is fixed according to Fig. B & C, any reverse fixing will cause great danger!

MOUNTING AND ADJUSTING THE FRONT-ASSIST HANDLE

Push the front-assist handle onto the shaft (Fig. E), then insert the clamping block into the handle slot (Fig. F), mount the lock pole, lock them with the wing nut (Fig. G). The sequence is as Fig. D shown. Lastly, adjust the front-assist handle position to make sure your front arm is straight when using the trimmer (Fig. H) and then lock the lever of the lock pole (Fig. I).

Fig. D & H parts description see below:

D-1	Front-assist Handle	D-4	Wing Nut
D-2	Lock Pole	H-1	Soft Sleeve
D-3	Clamping Block	H-2	Warning Label

NOTICE: The front-assist handle should be turned upwards to point toward the top of the handle.

⚠ WARNING: Only fix the front-assist handle in front of the soft sleeve on the shaft.

⚠ WARNING: The tool can not be used without the front-assist handle reliably fixed.

OPERATION

⚠ WARNING: Do not allow familiarity with this product to make you careless. Remember that a careless fraction of a second is sufficient to inflict serious injury.

⚠ WARNING: Always wear eye protection with side shields, along with hearing protection. Failure to do so could result in objects being thrown into your eyes and other possible serious injuries.

⚠ WARNING: Do not use any attachments or accessories not recommended by the manufacturer of this product. The use of attachments or accessories not recommended can result in serious personal injury.

⚠ WARNING: Use your line trimmer equipped with the appropriate cutting line only for cutting grass and similar material.

You may use this product for the purposes listed below:

Trimming: used for removing grass and weeds up against walls, fences, trees and borders.

Cutting: used for cutting the grass that is difficult to reach using a normal mower.

NOTICE: The tool is to be used only for its prescribed purpose. Any other use, for example edge trimming, is deemed to be a case of misuse.

ATTACHING/DETACHING THE BATTERY PACK

Fully charge before first use.

To Attach

Align the battery ribs with the mounting slots and press the battery pack down until you hear a “click” (Fig. J).

To Detach

Depress the battery-release button and pull the battery pack out as Fig. K shown.

HOLDING THE LINE TRIMMER

⚠ WARNING: Dress properly to reduce the risk of injury when operating this tool. Do not wear loose clothing or jewelry. Wear eye and ear/hearing protection. Wear heavy duty, long trousers, boots and gloves. Do not wear short trousers, sandals or go barefoot.

Before operating, hold the trimmer with both hands, one hand on the rear handle and the other on the front-assist handle which shall be straight (Fig. L). Then check for balanced footing and a proper cutting distance without operator bending over.

STARTING/STOPPING THE LINE TRIMMER

To Start

Press down the lock-off lever and hold it in that position. Depress the trigger to turn on the line trimmer as Fig. M shown.

To Stop

Release the lock-off lever and the trigger.

NOTICE: The motor has two speeds for cutting, Position “1” for lower speed and Position “2” for high speed, as Fig. M shown. Just push the speed adjustment switch to the suitable position during cutting.

Fig. M parts description see below:

EN

M-1	Position 1
M-2	Position 2

⚠ WARNING: Always remove the battery pack from the line trimmer during work breaks and after finishing work.

USING THE LINE TRIMMER

⚠ WARNING: To avoid serious personal injury, wear goggles or safety glasses at all times when operating this unit. Wear a face mask or dust mask in dusty locations.

Clear the area to be cut before each use. Remove all objects, such as rocks, broken glass, nails, wire, or line, that can be thrown or become entangled in the cutting attachment. Clear the area of children, bystanders, and pets. At a minimum, keep all children, bystanders and pets at least 15m away; there still may be risk to bystanders from thrown objects. Bystanders should be encouraged to wear eye protection. If you are approached, stop the motor and cutting attachment immediately.

Before each use, check for damage/worn parts

Check the bump head, guard and front-assist handle and replace the parts that are cracked, warped, bent, or damaged in any way.

The line-cutting blade on the edge of the guard can dull over time. It is recommended that you periodically sharpen it with a file or replace it with a new blade.

⚠ WARNING: Always wear gloves when mounting the guard or sharpening or replacing the blade. Take care of the blade on the guard and protect your hand from cutting.

After each use, clean the trimmer.

⚠ CAUTION: Obstructions in the vents will prevent the air from flowing into the motor housing and result in overheating or damaged of the motor.

- Use only mild soap and a damp cloth to clean the tool. Never let any liquid get inside the tool; never immerse any part of the tool into a liquid.
- Keep air vents in the motor housing from debris at all times.

⚠ WARNING: Never use water for cleaning your trimmer. Avoid using solvents when cleaning plastic parts. Most plastics are susceptible to damage from various types of commercial solvents. Use clean cloths to remove dirt, dust, oil, grease, etc.

ADJUSTING CUTTING LINE LENGTH

The bump head allows the operator to release more cutting line without stopping the motor. As line becomes frayed or worn, additional line can be released by lightly tapping the bump knob on the ground while operating the trimmer (Fig. N).

NOTICE: Line release will become more difficult as the cutting line becomes shorter.

⚠ WARNING: Do not remove or alter the line cutting blade assembly. Excessive line length will cause the motor to overheat and may result in serious personal injury.

LINE REPLACEMENT

⚠ WARNING: Never use metal-reinforced line, wire, rope, etc. These can break off and become dangerous projectiles.

There are two methods to replace the cutting line:

1. Wind the spool with new line.
2. Install a pre-wound spool (AS1300, AS1301, AS1302, if necessary, available in dealer).

Wind the spool with new line

Press the two release tabs on the spool base and pull the spool retainer out (Fig. O). Take out approximately 7m of 2.0mm diameter cutting line. Fold and wind it onto the spool as Fig. P & Q shown. Then place the line ends through the two opposite notches in the spool (Fig. R) and place the spool into its retainer with notches aligned with retainer eyelets (Fig. T). Lastly, align the retainer slots with the tabs on the spool base and press the retainer evenly down, ensuring that it snaps into place (Fig. S).

NOTICE: Always clean the spool retainer, spool and spool base before reassembling the trimmer head. Check the spool retainer, spool and spool base for wear. If necessary, replace the wear parts.

NOTICE: Failure to wind the line in the direction indicated will cause the trimmer head to operate incorrectly.

Install a pre-wound spool

Press the two release tabs on the spool base and pull the spool retainer out (Fig. O). Then place a pre-wound spool into the retainer with notches aligned with retainer eyelets (Fig. T). Lastly, align the retainer slots with the tabs on the spool base and press the retainer evenly down, ensuring that it snaps into place (Fig. S).

Fig. S & T parts description see below:

S-1	Tab	T-1	Notch
S-2	Slot	T-2	Eyelet

NOTICE: Make sure that the tabs on the spool base snap into place or the spool will come out during operation.

MAINTENANCE

⚠ WARNING: When servicing, use only identical replacement parts. Inspect and maintain the machine regularly. To ensure safety and reliability, all repairs should be performed by a qualified service technician.

⚠ WARNING: Battery tools do not have to be plugged into an electrical outlet; therefore, they are always in operating condition. To prevent serious personal injury, take extra precautions and care when performing maintenance, service or for changing the cutting attachment or other attachments.

⚠ WARNING: To prevent serious personal injury, remove the battery pack from the tool before servicing, cleaning, changing add-on attachments or removing material from the unit.

CLEANING THE UNIT

- Clean the unit using a damp cloth with a mild detergent.
- Do not use any strong detergents on the plastic housing or the handle. They can be damaged by certain aromatic oils, such as pine and lemon, and by solvents such as kerosene. Moisture can also cause a shock hazard. Wipe off any moisture with a soft dry cloth.
- Use a small brush or the air discharge of a small vacuum cleaner brush to clean the air vents on the rear housing.

STORING THE UNIT

- Remove the battery pack from the line trimmer when it is not in use.
- Clean the tool thoroughly before storing it.
- Store the unit in a dry, well-ventilated area, locked-up or up high, out of the reach of children. Do not store the unit on or adjacent to fertilizers, petrol, or other chemicals.

Protecting the environment



Do not dispose of electrical equipment, battery charger and batteries/rechargeable batteries into household waste!

According to the European law 2012/19/EU, electrical and electronic equipment that is no longer usable, and according to the European law 2006/66/EC, defective or used battery packs/batteries, must be collected separately.

If electrical appliances are disposed of in landfills or dumps, hazardous substances can leak into the groundwater and get into the food chain, damaging your health and well-being.

EN

EC DECLARATION OF CONFORMITY



We, CHERVON EUROPE LTD.

47 CASTLE STREET, READING, RG1 7SR, UNITED KINGDOM

Declare that the product **56V lithium-ion cordless line trimmer ST1300E** complies with the essential health and safety requirements of the following Directives:

2006/42/EC, 2014/30/EU, 2011/65/EU, 2000/14/EC

Standards and technical specifications referred to:

EN 60335-1, EN 50636-2-91, EN ISO 11806-1, EN ISO 12100, EN 62233, EN 55014-1, EN 55014-2

Measured Sound Power Level: 89.25 dB(A).

Guaranteed Sound Power Level: 93 dB(A).

Peter Melrose
Vice President of Chervon Europe

Dong Jianxun
Quality Manager of Chervon

* (Authorized representative for CHERVON and responsible for technical documentation)

01/04/2016

TROUBLESHOOTING

EN

PROBLEM	CAUSE	SOLUTION
Line trimmer fails to start.	<ul style="list-style-type: none"> ■ The battery pack is not attached to the line trimmer. ■ No electrical contact between the trimmer and battery. ■ The battery pack is depleted. ■ The lock-off lever and trigger are not depressed simultaneously. 	<ul style="list-style-type: none"> ■ Attach the battery pack to the line trimmer. ■ Remove battery, check contacts and reinstall the battery pack. ■ Charge the battery pack. ■ Press down the lock-off lever and hold it, then depress the trigger to turn on the line trimmer.
Line trimmer stops while cutting.	<ul style="list-style-type: none"> ■ The guard is not mounted on the trimmer, resulting in an overly long cutting line and motor overload. ■ Heavy cutting line is used. ■ The motor shaft or trimmer head is bound with grass. ■ The motor is overloaded. ■ The battery pack or line trimmer is too hot. ■ The battery pack is disconnected from the tool. ■ The battery pack is depleted. 	<ul style="list-style-type: none"> ■ Remove the battery pack and mount the guard on the trimmer. ■ Use standard nylon cutting line with diameter no more than 2.0mm. ■ Stop the trimmer, remove the battery, and remove the grass from the motor shaft and trimmer head. ■ Remove the trimmer head from the grass. The motor will recover to work as soon as the load is removed. When cutting, move the trimmer head in and out of the grass to be cut and remove no more than 20cm of length in a single cut. ■ Allow the battery pack or trimmer to cool until the temperature drops below 67°C. ■ Re-install the battery pack. ■ Charge the battery pack.
Trimmer head will not advance line.	<ul style="list-style-type: none"> ■ The motor shaft or trimmer head is bound with grass. ■ There is not enough line on the spool. ■ The trimmer head is dirty. ■ Line is tangled on spool. ■ The line is too short. 	<ul style="list-style-type: none"> ■ Stop the trimmer, remove the battery, and remove the grass from the motor shaft and trimmer head. ■ Remove the battery and replace the cutting line; follow the section "LINE REPLACEMENT" in this manual. ■ Remove the battery and clean the spool, spool retainer and spool base. ■ Remove the battery, remove the line from the spool and rewind; follow the section "LINE REPLACEMENT" in this manual. ■ Remove the battery and pull the lines while alternately pressing down on and releasing the bump knob.

PROBLEM	CAUSE	SOLUTION
Grass wraps around trimmer head and motor housing.	<ul style="list-style-type: none">■ Cutting tall grass at ground level.	<ul style="list-style-type: none">■ Cut tall grass from the top down, removing no more than 20cm in each pass to prevent wrapping.
Line is not cutting well.	<ul style="list-style-type: none">■ The line-cutting blade on the edge of the guard has become dull.	<ul style="list-style-type: none">■ Sharpen the line-cutting blade with a file or replace it with a new blade.

WARRANTY

EGO WARRANTY POLICY

Please visit the website egopowerplus.com for full terms and conditions of the EGO Warranty policy.

LESEN UND BEACHTEN SIE



DIE BEDIENUNGSANLEITUNG

DE

⚠ Restrisiko! Menschen mit elektronischen Geräten, wie z.B. Herzschrittmachern, sollten ihren Arzt konsultieren, bevor sie dieses Gerät verwenden. Die Bedienung von Elektrogeräten in unmittelbarer Nähe zu Herzschrittmachern kann zu Interferenzen und Störungen des Schrittmachers führen.

⚠ WARNUNG: Um die Sicherheit und Zuverlässigkeit zu gewährleisten, sollten alle Reparaturen und der Austausch von Teilen nur von qualifizierten Servicetechnikern durchgeführt werden.

SICHERHEITSSYMBOL

Der Zweck von Warnsymbolen besteht darin, Ihre Aufmerksamkeit auf mögliche Gefahren zu lenken. Die Warnsymbole und deren Erklärungen verdienen Ihre vollste Aufmerksamkeit und Beachtung. Durch die Warnsymbole allein sind die Gefahren noch nicht ausgeschaltet. Die Anweisungen und Warnhinweise stellen keinen Ersatz für angemessene Unfallverhütungsmaßnahmen dar.

⚠ WARNUNG: Achten Sie darauf, dass Sie, bevor Sie das Gerät benutzen, alle Sicherheitsanweisungen dieser Bedienungsanleitung gelesen und verstanden haben, einschließlich aller Gefahrenzeichen wie „**VORSICHT**“, „**WARNUNG**“ und „**ACHTUNG**“. Die Nichtbeachtung der unten angeführten Anweisungen kann zu Stromschlägen, Feuer und/oder schweren Personenschäden führen.

SYMBOLBEDEUTUNG

SYMBOL FÜR SICHERHEITSWARNUNGEN: Weist auf GEFAHR, eine WARNUNG oder VORSICHT hin. Kann zusammen mit anderen Symbolen oder Bildern verwendet werden.



⚠ WARNUNG: Die Bedienung von Elektrogeräten kann dazu führen, dass Fremdkörper in Ihre Augen geschleudert werden und Sie dadurch schwerwiegende Augenschäden davontragen. Tragen Sie immer eine Schutzbrille, wenn möglich mit Seitenschutz, oder, falls nötig, einen vollen Gesichtsschutz, bevor Sie Arbeiten mit dem Elektrowerkzeug verrichten. Wir empfehlen Ihnen, einen Gesichtsschutz über Ihrer eigenen Brille oder eine herkömmliche Schutzbrille mit Seitenschutz zu tragen.

SICHERHEITSHINWEISE

Diese Seite zeigt und beschreibt die Sicherheitssymbole, die auf diesem Produkt erscheinen können. Lesen, verstehen und befolgen Sie die Anleitungen auf der Maschine, bevor Sie versuchen, die Maschine zusammenzubauen oder zu bedienen.

	Sicherheitswarnung	Vorsichtsmaßnahmen, die Ihre Sicherheit betreffen.
	WARNUNG: Lesen Sie die Bedienungsanleitung	Um das Verletzungsrisiko zu verringern, muss der Benutzer die Bedienungsanleitung vor der Benutzung des Gerätes gelesen und verstanden haben.
	Augenschutz tragen	Tragen Sie immer eine Schutzbrille, möglichst mit Seitenschutz, und einen Gesichtsschutz, wenn Sie das Gerät bedienen.
	Gehörschutz tragen	Tragen Sie immer einen Gehörschutz, wenn Sie das Gerät bedienen.
	Fadendurchmesser	Der Durchmesser des Nylonfadens
	Schnittbreite	Die max. Schnittbreite des Rasentrimmers
	Keine Schneidmesser	Installieren Sie nicht Metall oder Kunststoff Schneidmesser
	Vor Regenschützen	Nicht im Regen verwenden oder bei Regen im Freien liegen lassen.
	Unbefugte Personen fernhalten	Stellen Sie bei Betrieb sicher, dass andere Personen und Haustiere mindestens 15m vom Rasentrimmer entfernt sind.
	Unbefugte Personen fernhalten	Stellen Sie bei Betrieb sicher, dass andere Personen und Haustiere mindestens 15m vom Rasentrimmer entfernt sind.
V	Volt	Spannung
A	Ampere	Stromstärke
Hz	Hertz	Frequenz

W	Watt	Leistung
min	Minuten	Zeit
~	Wechselstrom	Stromart
≡	Gleichstrom	Stromart oder Merkmal des Stroms
n ₀	Leerlaufdrehzahl	Drehzahl im Leerlauf
... /min	pro Minute	Umdrehungen pro Minute

WICHTIGE SICHERHEITSHINWEISE

⚠️ WARNUNG: Beim Gebrauch von elektrischen Schneidegeräten sollten stets grundlegende Sicherheitsvorkehrungen beachtet werden, um das Risiko eines Brandes, Stromschlags und von Verletzungen zu reduzieren, darunter die folgenden:

AUFMERKSAM VOR DEM GEBRAUCH LESEN ZUM

NACHSCHLAGEN AUFBEWAHREN

⚠️ VORSICHT: Verlassen Sie sich nicht auf die Isolierung des Werkzeugs gegen Stromschlag. Zur Vermeidung des Stromschlagrisikos darf das Gerät nicht in unmittelbarer Nähe von Leitungen oder Kabeln (Strom etc.) eingesetzt werden, die Strom führen.

⚠️ VORSICHT: Tragen Sie während des Gebrauchs einen angemessenen Gehörschutz. Unter bestimmten Bedingungen und bei längerem Gebrauch kann der Lärm, den dieses Gerät erzeugt, zum Hörverlust beitragen.

SCHULUNG

- Lesen Sie die Anweisungen aufmerksam. Machen Sie sich mit den Bedienelementen und der richtigen Handhabung des Gerätes vertraut.
- Lassen sie niemals Personen, die mit diesen Anleitungen nicht vertraut sind, oder Kinder das Gerät benutzen. Örtliche Bestimmungen können das Alter des Benutzers einschränken.
- Lassen sie niemals Personen, die mit diesen Anleitungen nicht vertraut sind, oder Kinder das Gerät benutzen. Örtliche Bestimmungen können das Alter des Benutzers einschränken.

VORBEREITUNG

- Benutzen Sie die Maschine niemals, wenn sich Personen, insbesondere Kinder, oder Haustiere in der Nähe befinden.

- Tragen Sie immer einen Augenschutz und robustes Schuhwerk, während Sie das Gerät benutzen.
- Zwischen dem Gerät und Passanten muss ein Sicherheitsabstand von Mindestens 15m eingehalten werden.
- Keine Metallmesser verwenden

BEDIENUNG

- Benutzen Sie die Maschine nur bei Tageslicht oder unter gutem künstlichen Licht.
- Bedienen Sie das Gerät auf keinen Fall mit beschädigten Schutzvorrichtungen oder Abdeckungen oder ohne Schutzvorrichtungen oder Abdeckungen.
- Schalten Sie den Motor nur ein, wenn Hände und Füße nicht in der Nähe der Schneidwerkzeuge sind.
- Trennen Sie das Gerät immer von der Stromversorgung (d.h., ziehen Sie den Netzstecker aus der Steckdose oder entfernen Sie die Deaktivierungsvorrichtung),
 - wann immer Sie das Gerät unbeaufsichtigt lassen;
 - bevor sie eine Sicherung entfernen;
 - bevor sie am Gerät arbeiten, dieses säubern oder kontrollieren;
 - nachdem Sie einen Fremdkörper getroffen haben;
 - wann immer das Gerät beginnt, ungewöhnlich zu vibrieren.
- Schützen Sie sich vor Verletzungen an Händen und Füßen durch das Schnittgut.
- Stellen sie immer sicher, dass die Lüftungsöffnungen frei von Schmutz bleiben.

WARTUNG UND LAGERUNG

- Trennen Sie das Gerät von der Stromversorgung (d.h., ziehen Sie den Netzstecker aus der Steckdose oder entfernen Sie die Deaktivierungsvorrichtung), bevor Sie das Gerät warten oder säubern.
- Verwenden sie nur vom Hersteller Original Ersatzteile und Zubehör.
- Prüfen und warten Sie das Gerät regelmäßig. Lassen Sie das Gerät nur von einer autorisierten Servicewerkstatt reparieren.
- Wenn das Gerät nicht benutzt wird, lagern Sie es außer Reichweite von Kindern.

SONSTIGE SICHERHEITSHINWEISE

- Vermeiden Sie gefährliche Umgebungen – Benutzen Sie den Rasentrimmer nicht an feuchten oder nassen Stellen.
- Schalten Sie den Fadenmäher immer aus oder entfernen Sie den Akku, wenn Sie das Gerät unbeaufsichtigt lassen.

- Benutzen Sie das Gerät nicht im Regen.
- Halten sie Kinder fern – Anwesende Personen sollten auf Abstand zum Arbeitsbereich gehalten werden.
- Tragen Sie geeignete Kleidung – Tragen Sie keine weite Kleidung oder Schmuck. Diese können sich in den beweglichen Teilen verfangen. Bei Arbeiten im Freien werden Gummihandschuhe und festes Schuhwerk empfohlen. Tragen Sie eine Schutzhaube, um lange Haare zurückzuhalten.
- Tragen Sie eine Schutzbrille – Tragen Sie stets eine Gesichts- oder Staubmaske, wenn die Arbeit staubig ist.
- Verwenden Sie das richtige Werkzeug – Verwenden Sie das Werkzeug zu keinem anderen Zweck als den, für den es vorgesehen ist.
- Üben Sie keinen Druck auf den Fadenmäher aus - Er wird besser und mit geringerem Verletzungsrisiko funktionieren, wenn er im Rahmen des Wirkungsgrades benutzt wird, für den er entwickelt wurde.
- Strecken Sie sich nicht zu weit vor – Achten Sie stets auf einen festen Stand und halten Sie das Gleichgewicht.
- Bleiben Sie wachsam – Achten Sie auf das, was Sie tun. Seien Sie vernünftig. Benutzen Sie den Fadenmäher nicht, wenn Sie müde sind.
- Benutzen Sie den Fadenmäher nicht, wenn Sie unter dem Einfluss von Alkohol oder Drogen stehen.
- Lassen Sie die Schutzabdeckungen an ihrem Platz und halten Sie diese in gutem Zustand.
- Lagern Sie den Fadenmäher drinnen – Wenn der Fadenmäher nicht benutzt wird, sollte der Akku entfernt werden und das Gerät drinnen an einem trockenen und hohen oder abgeschlossenen Platz aufbewahrt werden - außer Reichweite von Kindern.
- Warten Sie den Fadenmäher sorgfältig – Halten Sie das Schneidwerkzeug sauber, um die beste Leistung zu erzielen und die Verletzungsgefahr zu reduzieren. Folgen Sie den Anleitungen zum Auswechseln des Zubehörs. Halten Sie die Griffe trocken, sauber und frei von Öl oder Fett.
- Untersuchen Sie beschädigte Teile – Bevor Sie den Fadenmäher weiter benutzen, muss eine Schutzabdeckung oder ein anderes Teil, das beschädigt ist, sorgfältig untersucht werden, um zu bestimmen, ob es ordnungsgemäß funktionieren und seine bestimmungsgemäße Aufgabe erfüllen wird. Achten Sie auf die Ausrichtung oder Behinderung beweglicher Teile, auf Bruchstellen, Befestigungen und alle anderen Umstände, die die Funktion des Gerätes beeinträchtigen könnten. Eine Schutzabdeckung oder ein anderes Teil, das beschädigt ist, sollte von einer autorisierten Servicewerkstatt sachgemäß repariert oder ersetzt werden, sofern es nicht anders in dieser Bedienungsanleitung angegeben ist.
- Räumen Sie den Arbeitsbereich vor jedem Gebrauch auf. Entfernen Sie alle Objekte, wie z. B. Steine, zerbrochenes Glas, Nägel, Kabel oder Fäden, die durch die Maschine herumgeschleudert oder sich im Schneidwerkzeug verfangen könnten. Stellen Sie sicher, dass Sie einen Abstand von mindestens 15m zu anderen Personen und Haustiere halten.
- Prüfen Sie die Maschine vor dem Gebrauch und nach jedem Stoß auf Anzeichen von Verschleiß oder Beschädigungen und reparieren Sie den Schaden, sofern erforderlich.
- Halten Sie den Fadenmäher stets mit beiden Händen an den Griffen fest, wenn Sie die Maschine benutzen. Umfassen Sie mit Ihren Fingern und den Daumen die Griffe.
- Vermeiden Sie versehentliches Starten – Tragen Sie den Fadenmäher nicht mit Ihrem Finger am Auslöser.
- Benutzen Sie den Fadenmäher nicht in explosionsgefährlichen Bereichen oder dort, wo Benzin gelagert wird. Motoren in diesen Geräten sprühen normalerweise Funken und die Funken können Dämpfe entzünden.
- Gefährliche bewegliche Teile nicht berühren. Zuerst das Gerät ausschalten (oder den Akku aus dem Gerät nehmen) und warten, bis die gefährlichen beweglichen Teile komplett zum Stillstand gekommen sind.
- Schäden am Fadenmäher – Wenn Sie mit dem Fadenmäher einen Fremdkörper treffen oder er verfangt sich, halten Sie das Werkzeug sofort an, entfernen Sie den Akku aus dem Fadenmäher, prüfen Sie ihn auf Beschädigungen und lassen Sie eventuelle Beschädigungen reparieren, bevor Sie den Betrieb fortsetzen. Benutzen Sie die Maschine nicht mit einer defekten Schutzabdeckung oder Spule.
- Falls das Gerät ungewöhnlich zu vibrieren beginnt, schalten Sie den Motor aus, entfernen Sie den Akku aus dem Fadenmäher und suchen Sie sofort nach der Ursache. Vibrationen weisen im Allgemeinen auf Probleme hin. Ein gelockerter Kopf kann vibrieren, zerspringen, brechen oder sich vom Fadenmäher lösen, wodurch schwere oder tödliche Verletzungen verursacht werden können. Stellen Sie sicher, dass das Schneidwerkzeug korrekt an seinem Platz befestigt ist. Falls sich der Kopf löst, nachdem er an seinem Platz befestigt wurde, ersetzen Sie ihn bitte sofort. Verwenden Sie niemals einen Fadenmäher mit locker sitzendem Schneidwerkzeug.
- Ersetzen Sie einen gerissenen, beschädigten oder abgenutzten Mähkopf sofort, selbst wenn die Beschädigung sich lediglich auf oberflächliche Risse beschränkt. Diese Art Werkzeug kann bei hoher Drehzahl zerspringen und schwere oder tödliche Verletzungen verursachen.
- Überprüfen Sie das Schneidwerkzeug in regelmäßigen Abständen während des Betriebs oder sofort, wenn Sie eine Veränderung im Schnittverhalten bemerken.

- Benutzen Sie nur von EGO™ zugelassenes Polymer-Mähfadenzubehör und Mähfäden, die für die Benutzung mit diesem Werkzeug entwickelt sind. Selbst wenn bestimmte nicht zugelassene Werkzeuge an dem EGO™ Fadenmäher befestigt werden können, kann ihre Verwendung äußerst gefährlich sein und/oder die Werkzeuge beschädigen.
- Um die Gefahr schwerer Verletzungen zu reduzieren, verwenden Sie niemals Draht oder mit Metall verstärkten Fäden oder anderes Material anstatt der Nylon- Mähfäden. Drahtstücke könnte abbrechen und mit hoher Geschwindigkeit in Richtung des Benutzers oder Umstehender geschleudert werden
- Um das Verletzungsrisiko durch Kontrollverlust zu reduzieren, arbeiten Sie nie auf einer Leiter oder einer anderen unsicheren Unterlage stehend. Halten Sie den Schneidaufsatz niemals über Tailenhöhe.
- Falls Situationen auftreten, die nicht in dieser Bedienungsanleitung behandelt werden, gehen Sie vorsichtig und vernünftig vor. Kontaktieren Sie das EGO- Servicezentrum für eine Reparatur.
- Laden Sie den Akkusatz nicht im Regen oder an nassen Orten auf.
- Verwenden Sie nur die Akkusätze und Ladegeräte, die hier aufgelistet sind.

AKKU	LADEGERÄT
BA1120E, BA2240E, BA2800, BA3360, BA4200	CH5500E, CH2100E

- Der Akkusatz muss aus dem Gerät entfernt werden, wenn es ausrangiert wird.
- Der Akku muss sicher entsorgt werden.
- Werfen Sie den Akku nicht ins Feuer. Die Zellen können explodieren. Ziehen Sie die örtlichen Vorschriften zurate, um mehr über mögliche Sondervorschriften der Entsorgung zu erfahren.
- Öffnen oder zerstören Sie den Akku nicht. Auslaufender Elektrolyt ist ätzend und kann die Augen oder Haut schädigen. Es kann bei Verschlucken giftig sein.
- Lassen Sie beim Umgang mit dem Akku Vorsicht walten, um den Akku nicht mit leitenden Materialien wie Ringen, Armbändern und Schlüssel zu kurzuschließen. Der Akku oder der Leiter können sich überhitzen und Verbrennungen verursachen.
- Verwenden Sie für die Wartung nur identische EGO Ersatzteile. Die Verwendung anderer Zubehörteile oder Werkzeuge kann die Verletzungsgefahr erhöhen.
- Akkuwerkzeuge müssen nicht mit einer Steckdose verbunden werden; daher sind sie stets einsatzbereit. Seien Sie sich möglicher Gefahren bewusst, selbst wenn das Werkzeug nicht eingeschaltet ist. Lassen Sie bei Wartungsarbeiten oder Reparaturen Vorsicht walten.

- Waschen Sie das Gerät nicht mit dem Wasserschlauch; lassen Sie kein Wasser in den Motor und die elektrischen Verbindungen gelangen.
- Heben Sie diese Anleitung auf. Schlagen Sie gegebenenfalls darin nach und verwenden Sie sie, um Andere in die Verwendung des Gerätes einzuweisen. Wenn Sie das Gerät an Andere verleihen, dann verleihen Sie auch diese Anleitung, um der falschen Handhabung und damit möglichen Verletzungen vorzubeugen.
- Tragen Sie immer robustes Schuhwerk und lange Hosen, wenn Sie das Gerät benutzen.
- Achten Sie stets auf einen sicheren Stand an Hängen. Gehen Sie, laufen Sie niemals beim Betrieb des Gerätes.

HEBEN SIE DIESE ANLEITUNG AUF!

TECHNISCHE DATEN

Spannung	56 V $\overline{\text{---}}$	
Leerlaufdrehzahl	5200-6500 /min	
Schneidmechanismus	Fadenkopf	
Fadendurchmesser	AL0802 2.0mm Nylon-Torsion-Linie	
Schnittbreite	33 cm	
Gewicht (ohne Akku)	2,76 kg	
Gemessener Schalleistungspegel L_{WA}	89,25 dB(A) K=2,5 dB(A)	
Maximale schalldruckpegel am Ohr des Bedieners L_{PA}	75,2 dB(A) K=2,5 dB(A)	
Garantierter Schalleistungspegel L_{WA} (nach 2000/14/EG gemessen)	93 dB(A)	
Vibration a_h	Vorderer Haltegriff	2,134 m/s ² K=1,5 m/s ²
	Hinterer Griff	1,231 m/s ² K=1,5 m/s ²

- Der angegebene Schwingungs-Gesamtwert wurde in Übereinstimmung mit einer Standard-Testmethode gemessen und kann verwendet werden, um Werkzeuge miteinander zu vergleichen.
- Der angegebene Schwingungs-Gesamtwert kann auch als einleitende Feststellung der Belastung verwendet werden.

HINWEIS: Die beim Einsatz des Elektrowerkzeugs entstehenden Istvibrationen können von dem angegebenen Wert abweichen. Zum Schutz des Benutzers sollten Handschuhe und ein Gehörschutz während des Geräteinsatzes getragen werden.

PACKLISTE

TEILEBEZEICHNUNG	MENGE
Fadenmäher	1
Schutzabdeckung	1
Einheit des vorderen Haltegriffs	1
Sechskantschlüssel	1
Bedienungsanleitung	1

DE

BESCHREIBUNG

AUFBAU (Abb. A)

1. Auslöser
2. Hinterer Griff
3. Hebel zum Entriegeln
4. Geschwindigkeitsregler
5. Flexible Muffe
6. Verstellbarer vorderer Haltegriff
7. Fadenkopf (Schneidkopf)
8. Klopfer
9. Fadenmesser
10. Fadenschutz
11. Ausstoßmechanismus
12. Elektrische Kontakte
13. Verschluss
14. Akku-Freigabeknopf

MONTAGE

⚠️ WARNUNG: Wenn Teile beschädigt sind oder fehlen, darf das Gerät erst in Betrieb genommen werden, wenn alle Teile vollständig angebracht sind. Die Verwendung des Geräts mit beschädigten oder fehlenden Teilen kann zu schweren Verletzungen führen.

⚠️ WARNUNG: Versuchen Sie nicht, dieses Produkt zu verändern oder Zubehörteile zu verwenden, die für den Einsatz des Rasentrimmers nicht empfohlen werden. Derartige Änderungen oder Umbauten stellen eine Zweckentfremdung dar und können gefährliche Arbeitsbedingungen hervorrufen, bei denen eine schwere Verletzungsgefahr besteht.

⚠️ WARNUNG: Um einen unbeabsichtigten Geräteanlauf bei der Montage von Teilen zu verhindern, muss der Akku vom Gerät abgenommen werden, andernfalls besteht schwere Verletzungsgefahr.

MONTIEREN DES FADENSCHUTZES

⚠️ WARNUNG: Tragen Sie beim Anbringen oder Auswechseln des Fadenschutzes immer Handschuhe.. Achten Sie auf das Messer am Fadenschutz und passen Sie auf, dass Sie sich nicht schneiden.

⚠️ WARNUNG: Setzen Sie das Werkzeug nur in Betrieb, wenn der Fadenschutz fest angebracht ist. Der Fadenschutz muss zum dauerhaften Schutz des Benutzers immer am Werkzeug befestigt sein! Wenn der Fadenschutz montiert ist, darf er weder entfernt noch justiert werden. Falls dieser ersetzt werden muss, wenden Sie sich an eine qualifizierte Werkstatt!

Montieren Sie die beiden Flanschschrauben am Ende des Schafts ab (Abb. B). Lassen Sie die Montagebohrungen am Fadenschutz mit den Haltelöchern fluchten. Schrauben Sie den Fadenschutz anschließend mit den beiden Schrauben am Schaftende an. Achten Sie darauf, dass der Fadenschutz wie in Abb. B & C montiert ist. Wird er falsch herum montiert, besteht große Gefahr!

MONTIEREN DES VORDEREN HALTEGRIFFS

Montieren Sie den vorderen Haltegriff am Schaft (Abb. E). Führen Sie die Klemmvorrichtung dann in die Griffmulde (Abb. F) ein, montieren Sie den Schnellverschluss und sichern Sie ihn mit der Flügelmutter (Abb. G). Die Reihenfolge wird in Abb. D gezeigt. Zum Schluss können Sie die Position des vorderen Haltegriffs so einstellen, dass Ihr Unterarm beim Einsatz des Trimmers gerade ausgestreckt ist (Abb. H). Legen Sie dann den Hebel des Schnellverschlusses um (Abb. I).

Teilebeschreibung zu Abb. D & H, siehe unten:

D-1	Vorderer Haltegriff	D-4	Flügelmutter
D-2	Schnellverschluss	H-1	Flexible Muffe
D-3	Klemmvorrichtung	H-2	Warnschild

HINWEIS: Der vordere Haltegriff sollte nach oben zur Griffoberseite gedreht werden.

⚠️ WARNUNG: Befestigen Sie den vorderen Haltegriff nur vor der flexiblen Muffe am Schaft.

⚠️ WARNUNG: Ohne fest montierten vorderen Haltegriff darf das Werkzeug nicht verwendet werden.

BEDIENUNG

⚠️ WARNUNG: Vermeiden Sie es, dass die Vertrautheit mit dem Produkt zu Nachlässigkeit führt. Denken Sie daran, dass ein kurzer Moment der Unachtsamkeit zu ernsthaften Verletzungen führen kann.

⚠️ WARNUNG: Tragen Sie immer einen Augenschutz mit Seitenschutz sowie einen Hörschutz. Wenn Sie das unterlassen, kann es dazu kommen, dass Objekte in Ihre Augen geschleudert werden oder dass Ihnen andere mögliche ernsthafte Verletzungen zugefügt werden.

⚠️ WARNUNG: Verwenden Sie keine Aufsätze oder Zubehörteile, die nicht vom Hersteller dieses Produkts empfohlen worden sind. Die Verwendung von anderen und nicht empfohlenen Aufsätzen oder Zubehörteilen kann zu ernsthaften Verletzungen führen.

⚠️ WARNUNG: Verwenden Sie Ihren Fadenmäher mit dem passenden Mähfaden ausgestattet nur zum Schneiden von Gras und ähnlichem Material.

Sie können dieses Produkt für die unten aufgeführten Zwecke einsetzen:

Trimmen: Zum Kürzen von Gras und Gräsern, die an Wänden, Zäunen, Bäumen und Kanten wachsen.

Schneiden: Zum Abschneiden von Gras, das sich mit einem normalen Rasenmäher schlecht erreichen lässt.

HINWEIS: Das Werkzeug darf nur für den dafür vorgesehenen Zweck eingesetzt werden. Jeder andere Geräteinsatz wie z.B. das Schneiden von Hecken gilt als Zweckentfremdung.

ANBRINGEN/ABNEHMEN DES AKKUS

Laden Sie den Akku vor dem ersten Gebrauch voll auf.

Anbringen

Lassen Sie die Rippen am Akkugehäuse mit den Öffnungen am Gerät fluchten und schieben Sie den Akku bis zum hörbaren Einrasten in das Gerät (Fig J).

Abnehmen

Drücken Sie die Batterieentriegelung und ziehen Sie den Akku heraus (siehe Abb. K).

FESTHALTEN DES RASENTRIMMERS

⚠️ WARNUNG: Tragen Sie geeignete Kleidung, um das Verletzungsrisiko bei der Benutzung des Werkzeugs zu reduzieren. Tragen Sie keine weite Kleidung oder Schmuck. Tragen Sie einen Augen- und Gehörschutz. Tragen Sie robuste lange Hosen, Stiefel und Handschuhe. Tragen Sie keine kurze Hose, Sandalen oder gehen Sie barfuß.

Halten Sie den Trimmer vor dem Einschalten fest in beiden Händen. Eine Hand hält den hinteren Griff und die andere den vorderen Haltegriff ganz fest (Ab. L). Sorgen Sie anschließend für einen festen Stand im Gleichgewicht und einen angemessenen Sicherheitsabstand beim Schneiden. Den Körper nicht in Vorhalte- oder Streckposition bringen.

EIN-/AUSSCHALTEN DES RASENTRIMMERS

Einschalten

Drücken Sie den Hebel zum Entriegeln und halten Sie ihn gedrückt. Drücken Sie den Auslöser nach unten, um den Rasentrimmer einzuschalten (siehe Abb. M).

Ausschalten

Lassen Sie den Entriegelungshebel und den Auslöser los.

HINWEIS: Der Motor kann auf zwei Trimmgeschwindigkeiten eingestellt werden: Position "1" mit niedriger und Position "2" mit hoher Geschwindigkeit (siehe Abb. M). Stellen Sie den Geschwindigkeitsregler beim Trimmen einfach auf die gewünschte Geschwindigkeit ein.

Beschreibung zu Abb. M, siehe unten:

M-1	Position 1
M-2	Position 2

⚠️ WARNUNG: Bei Arbeitspausen und nach Abschluss der Arbeit immer den Akku aus dem Rasentrimmer nehmen.

BENUTZUNG DES FADENMÄHERS

⚠️ WARNUNG: Um schwere persönliche Verletzungen zu vermeiden, tragen Sie eine Schutzbrille oder Sicherheitsbrille, während Sie das Gerät bedienen. Tragen Sie eine Gesichts- oder Staubmaske in staubigen Bereichen.

Räumen Sie den Arbeitsbereich vor jedem Einsatz auf. Entfernen Sie alle Objekte, wie z.B. Steine, zerbrochenes Glas, Nägel, Drähte oder Fäden, die aus dem Gerät herausgeschleudert werden oder sich in der Schneidvorrichtung verfangen könnten. Halten Sie den Bereich von Kindern, Passanten und Haustieren frei. Halten Sie einen Mindestabstand von 15m zu allen Kindern, Passanten und Haustieren ein; es besteht noch Gefahr durch umhergeschleuderte Gegenstände. Schaulustige sollten gebeten werden, Schutzbrillen aufzusetzen. Wenn jemand auf Sie zukommt, stellen Sie den Motor und das Schneidwerkzeug sofort ab.

Prüfen Sie vor jedem Gebrauch auf Schäden/ abgenutzte Teile

Prüfen Sie den Fadenzopf, die Schutzabdeckung und den vorderen Haltegriff und ersetzen Sie die Teile, die in irgendeiner Weise gesprungen, verzogen, verbogen oder beschädigt sind.

DE

Die Messerklinge am Rand der Schutzabdeckung kann im Laufe der Zeit stumpf werden. Es wird empfohlen, dass Sie die Klinge regelmäßig mit einer Feile schärfen oder gegen eine neue austauschen.

⚠️ WARNUNG: Tragen Sie immer Handschuhe, wenn Sie den Fadenschutz montieren oder das Messer nachschleifen bzw. austauschen. Achten Sie auf das Messer am Fadenschutz und passen Sie auf, dass Sie sich nicht schneiden.

Reinigen Sie den Rasentrimmer nach jedem Gebrauch.

⚠️ VORSICHT: Verstopfte Lüftungsschlitze verhindern, dass die Luft in das Motorgehäuse strömen kann, was zum Überhitzen oder Beschädigungen am Motor führen kann.

- Verwenden Sie nur milde Seife und ein feuchtes Tuch zum Reinigen des Gerätes. Lassen Sie niemals Flüssigkeiten in das Werkzeug gelangen; tauchen Sie niemals einen Teil des Werkzeugs in Flüssigkeit.
- Halten Sie die Lüftungsschlitze im Motorgehäuse und Stiel immer frei von Ablagerungen

⚠️ WARNUNG: Verwenden Sie niemals Wasser, um Ihren Fadenmäher zu reinigen. Verwenden Sie keine Lösungsmittel zum Reinigen der Kunststoffteile. Die meisten Kunststoffe können durch verschiedene Arten von handelsüblichen Lösungsmitteln beschädigt werden. Nehmen Sie einen sauberen Lappen, um Schmutz, Staub, Öl, Fett usw. zu entfernen.

EINSTELLEN DER FADENLÄNGE

Der Fadenzopf ermöglicht dem Benutzer, den Mähfaden zu verlängern, ohne den Motor anzuhalten. Wenn der Faden ausgefranst oder abgenutzt ist, kann mehr Faden freigegeben werden, indem Sie den Auftippknopf auf den Boden klopfen, während Sie den Fadenmäher benutzen (siehe Abb. N).

HINWEIS: Das Nachführen des Fadens wird umso schwerer, je kürzer der Faden wird.

⚠️ WARNUNG: Entfernen oder ändern Sie die Mähfaden-Einheit nicht. Überschüssige Fadenlänge führt dazu, dass sich der Motor überhitzt, und kann zu schweren persönlichen Verletzungen führen.

AUSWECHSELN DES FADENS

⚠️ WARNUNG: Verwenden Sie niemals mit Metall verstärkten Faden, Draht, Seil usw. Diese können abbrechen und zu gefährlichen Geschossen werden.

Es gibt zwei Methoden zum Auswechseln des Trennfadens:

1. Neuen Faden auf die Spule aufwickeln
2. Eine fertig aufgewickelte Fadenspule montieren (AS1300, AS1301, AS1302, im Fachhandel ggf. erhältlich).

Neuen Faden auf die Spule aufwickeln

Drücken Sie die Freigabelaschen am Spulenboden und ziehen Sie die Spulenhalterung heraus (Abb. O). Ziehen Sie ca. 7m die Linie 2mm neuen Faden heraus. Knicken Sie ihn und wickeln Sie ihn um die Spule, wie in Abb. P & Q dargestellt. Führen Sie die Fadenenden danach durch die beiden gegenüber liegenden Kerben in der Spule hindurch (Abb. R). Setzen Sie die Spule in die Halterung ein und achten Sie darauf, dass die Kerben mit den Ösen in der Halterung fluchten (Abb. T). Lassen Sie schließlich die Aussparungen an der Halterung mit den Rastnasen am Spulenboden fluchten und schieben Sie die Halterung geradlinig nach unten, bis sie hörbar einrastet (Abb. S).

HINWEIS: Reinigen Sie die Spulenhalterung, die Spule und die Spulenbasis immer, bevor Sie den Mähkopf wieder zusammensetzen. Prüfen Sie die Spulenhalterung, die Spule und die Spulenbasis auf Abnutzung. Wechseln Sie abgenutzte Teile notfalls aus.

HINWEIS: Wenn der Faden falsch herum aufgewickelt wird, wird der Mähkopf nicht korrekt funktionieren.

Einsetzen einer bereits aufgewickelten Spule

Drücken Sie die Freigabelaschen am Spulenboden und ziehen Sie die Spulenhalterung heraus (Abb. O). Setzen Sie anschließend die fertig aufgewickelte Spule in die Halterung ein. Die Kerben müssen dabei mit den Ösen in der Halterung fluchten (Abb. T). Lassen Sie schließlich die Aussparungen an der Halterung mit den Rastnasen am Spulenboden fluchten und schieben Sie die Halterung geradlinig nach unten, bis sie hörbar einrastet (Abb. S).

Beschreibung zu Abb. S & T, siehe unten:

S-1	Rastnase	T-1	Kerbe
S-2	Aussparung	T-2	Öse

HINWEIS: Achten Sie darauf, dass die Laschen an der Spulenbasis einschnappen, sonst wird die Spule während des Betriebs herauspringen.

WARTUNG

⚠️ WARNUNG: Verwenden Sie für die Wartung nur identische Ersatzteile. Prüfen und warten Sie das Gerät regelmäßig. Um die Sicherheit und Zuverlässigkeit zu gewährleisten, sollten alle Reparaturen nur von qualifizierten Servicetechnikern durchgeführt werden.

⚠️ WARNUNG: Akkubetriebene Werkzeuge müssen nicht an eine Steckdose angeschlossen werden; sie sind daher immer einsatzbereit. Um schwere Verletzungen zu vermeiden, seien Sie beim Warten, Reparieren oder Auswechseln des Schneidaufsatzes oder anderer Aufsätze besonders vorsichtig und treffen Sie besondere Sicherheitsvorkehrungen.

⚠️ WARNUNG: Um schwere Verletzungen zu verhindern, entfernen Sie den Akku aus dem Werkzeug, bevor Sie das Gerät warten, reinigen, Aufsätze auswechseln oder Schnittgut aus dem Gerät entfernen.

REINIGEN DES GERÄTES

- Reinigen Sie das Gerät mithilfe eines feuchten Tuchs mit einem milden Reinigungsmittel.
- Verwenden Sie keine starken Reiniger auf dem Kunststoffgehäuse oder dem Griff. Sie können durch gewisse aromatische Öle, wie Pinie und Zitrone, sowie Lösungsmittel, wie z. B. Petroleum, beschädigt werden. Feuchtigkeit stellt zudem eine Stromschlaggefahr dar. Wischen Sie Feuchtigkeit mit einem weichen, trockenen Tuch ab.
- Reinigen Sie die Lüftungsschlitze am Motorgehäuse mit einer kleinen Bürste oder dem Luftstrom eines kleinen Staubsaugers.

AUFBEWAHREN DES GERÄTES

- Entfernen Sie den Akkusatz aus dem Fadenmäher, wenn er nicht benutzt wird.
- Reinigen Sie das Werkzeug gründlich, bevor Sie es verstauen.
- Lagern Sie das Gerät an einem trockenen, gut belüfteten Bereich, der sich abschließen lässt oder hoch gelegen ist, wo es außer Reichweite von Kindern ist. Lagern Sie das Gerät nicht auf oder neben Düngemitteln, Benzin oder Chemikalien.

Schützen Sie die Umwelt



Entsorgen Sie elektronische Geräte, Ladegeräte und Batterien/Akkus nicht im Hausmüll!

Gemäß der europäischen Rechtsnorm 2012/19/EU müssen elektrische und elektronische Geräte, die nicht mehr benutzt werden, separat gesammelt werden. Dasselbe trifft gemäß der europäischen Rechtsnorm 2006/66/EC auch auf defekte oder verbrauchte Batterien/Akkus zu.

Wenn elektrische Geräte auf Deponien oder Schutthalde entsorgt werden, dann können gefährliche Substanzen ins Grundwasser sickern und in die Nahrungskette übergehen, was Ihre Gesundheit und Ihr Wohlbefinden beeinträchtigen kann.

DE

EG-KONFORMITÄTSERKLÄRUNG



Wir, CHERVON EUROPE LTD.

47 CASTLE STREET, READING, RG1 7SR, UNITED KINGDOM

Erklären hiermit, dass der Artikel **56V lithium ionen kabelloser fadenmäher ST1300E**, mit den grundlegenden Sicherheits- und Gesundheitsanforderungen folgender Richtlinien übereinstimmt:

2006/42/EG, 2014/30/EU, 2011/65/EU, 2000/14/EG

Hinweise auf Normen und technische Spezifikationen:

EN 60335-1, EN 50636-2-91, EN ISO 11806-1, EN ISO 12100, EN 62233, EN 55014-1, EN 55014-2

Gemessener Schalleistungspegel: 89,25 dB(A)

Gewährleitetester Schalleistungspegel: 93 dB(A)

Peter Melrose
Vizepräsident Chervon Europe

Dong Jianxun
Qualitätsmanager Chervon

* (Verantwortlicher Vertreter von CHERVON und technischer Dokumentationsverantwortlicher)

01/04/2016

FEHLERBEHEBUNG

DE

PROBLEM	URSACHE	LÖSUNG
Rasentrimmer lässt sich nicht starten.	<ul style="list-style-type: none"> ■ Der Akkusatz ist nicht in den Fadenmäher eingesetzt. ■ Kein elektrischer Kontakt zwischen Fadenmäher und Akku. ■ Der Akku ist leer. ■ Der Hebel zum Entriegeln und der Auslöser werden nicht gleichzeitig gedrückt. 	<ul style="list-style-type: none"> ■ Befestigen Sie den Akkusatz am Fadenmäher. ■ Entnehmen Sie den Akku, überprüfen Sie die Kontakte und setzen Sie ihn wieder ein. ■ Laden Sie den Akkusatz auf. ■ Halten Sie den Hebel zum Entriegeln gedrückt und drücken Sie dann den Auslöser, um den Fadenmäher einzuschalten.
Fadenmäher stoppt während des Mähens.	<ul style="list-style-type: none"> ■ Die Schutzabdeckung ist nicht am Fadenmäher montiert, was einen zu langen Faden und Motorüberlastung zu Folge hat. ■ Es wird ein schwerer Mähfaden verwendet. ■ Die Motorwelle oder der Mähkopf wird durch Gras blockiert. ■ Der Motor ist überlastet. ■ Der Akkusatz oder der Fadenmäher ist zu heiß. ■ Der Akkusatz ist nicht mit dem Werkzeug verbunden. ■ Der Akkusatz ist leer. 	<ul style="list-style-type: none"> ■ Entfernen Sie die Akkusatz und ■ befestigen Sie die Schutzabdeckung am Fadenmäher. ■ Verwenden Sie nur Mähfaden aus Nylon mit einem Durchmesser von 2,0mm oder kleiner. ■ Halten Sie den Fadenmäher an, ■ entfernen Sie den Akku und entfernen Sie das Gras von der Motorwelle und Mähkopf. ■ Nehmen Sie den Mähkopf vom Rasen. Der Motor ist wieder einsatzbereit, sobald die Last entfernt wurde. Bewegen Sie beim Schneiden den Mähkopf in und aus dem Gras heraus und entfernen Sie nicht mehr als 20cm Länge mit einem einzelnen Schnitt. ■ Lassen Sie den Akkusatz abkühlen, bis die Temperatur unter 67° C fällt.

PROBLEM	URSACHE	LÖSUNG
Mähkopf verlängert den Faden nicht.	<ul style="list-style-type: none"> ■ Die Motorwelle oder der Mähkopf wird durch Gras blockiert. ■ Es ist nicht mehr ausreichend Faden in der Spule vorhanden. ■ Der Mähkopf ist verschmutzt. ■ Der Faden hat sich auf der Spule verheddert. ■ Der Faden ist zu kurz. 	<ul style="list-style-type: none"> ■ Halten Sie den Fadenmäher an, entfernen Sie den Akku und entfernen Sie das Gras von der Motorwelle und Mähkopf. ■ Entfernen Sie den Akku und ■ wechseln Sie den Mähfaden aus; folgen Sie hierzu dem Abschnitt „AUSWECHSELN DES FADENS“ in dieser Bedienungsanleitung. ■ Entfernen Sie den Akku und reinigen Sie die Spule, die Spulenhalterung und die Spulenbasis. ■ Entfernen Sie den Akku, nehmen Sie den Faden aus der Spule und wickeln Sie ihn wieder auf; folgen Sie hierzu dem Abschnitt „AUSWECHSELN DES FADENS“ in dieser Bedienungsanleitung.
Gras wickelt sich um den Mähkopf und das Motorgehäuse.	<ul style="list-style-type: none"> ■ Hohes Gras wird auf Bodenebene geschnitten. 	<ul style="list-style-type: none"> ■ Mähen Sie hohes Gras, indem Sie von oben nach unten mähen. Schneiden Sie dabei nicht mehr als 20cm bei jedem Durchgang, um zu vermeiden, dass sich das Gras um das Gerät wickeln kann.
Faden schneidet nicht gut.	<ul style="list-style-type: none"> ■ Das Messer zum Abschneiden des Fadens am Rand der Schutzabdeckung ist stumpf geworden. 	<ul style="list-style-type: none"> ■ Schärfen Sie das Messer mit einer Feile oder wechseln Sie es durch eine neue Klinge aus.

GARANTIE

EGO GEWÄHRLEISTUNGSRICHTLINIE

Bitte besuchen Sie unsere website egopowerplus.com mit den kompletten EGO Garantiebedingungen.

LISEZ TOUTES LES INSTRUCTIONS !



LISEZ ET COMPRENEZ LES INSTRUCTIONS DU MANUEL D'UTILISATION

FR

⚠ Risques résiduels! Les personnes portant des appareils électroniques, par exemple des stimulateurs cardiaques, doivent consulter leur(s) médecin(s) avant d'utiliser ce produit. L'utilisation d'un équipement électrique près d'un stimulateur cardiaque peut provoquer des interférences ou la panne du stimulateur cardiaque.

⚠ AVERTISSEMENT: Pour garantir la sécurité et la fiabilité, toutes les réparations et tous les changements de pièce doivent être effectués par un réparateur qualifié.

SYMBOLES DE SÉCURITÉ

L'objectif des symboles de sécurité est d'attirer votre attention sur des dangers potentiels. Les symboles de sécurité et les explications les accompagnant doivent être lus avec attention et compris. Les symboles de mise en garde ne permettent pas par eux-mêmes d'éliminer les dangers. Les consignes et mises en garde ne se substituent pas à des mesures de prévention appropriées des accidents.

⚠ AVERTISSEMENT: Avant d'utiliser cet outil, veillez à lire et à comprendre toutes les consignes de sécurité du guide d'utilisation, notamment tous les symboles d'alerte de sécurité comme « **DANGER** », « **AVERTISSEMENT** » et « **MISE EN GARDE** ». Ne pas respecter toutes les consignes listées ci-après peut provoquer un choc électrique, un incendie et/ou des blessures corporelles graves.

SIGNIFICATION DES SYMBOLES

SYMBOLE DE MISE EN GARDE DE SÉCURITÉ :

Indique un **DANGER**, un **AVERTISSEMENT** ou une **PRÉCAUTION**. Peut être utilisé en conjonction d'autres symboles ou pictogrammes.



⚠ AVERTISSEMENT: L'utilisation d'un outil électrique peut provoquer la projection d'objets étrangers dans vos yeux, ce qui peut provoquer des lésions oculaires graves. Avant de mettre un outil électrique en marche, portez toujours un masque de sécurité ou des lunettes de sécurité avec boucliers

latéraux, ou un masque facial intégral quand cela est nécessaire. Nous vous recommandons de porter un Masque de Sécurité à Vision Panoramique par-dessus des lunettes de vue ou des lunettes de sécurité standards avec boucliers latéraux.

CONSIGNES DE SÉCURITÉ

Cette page décrit des symboles de sécurité pouvant être présents sur le produit. Lisez, comprenez et respectez toutes les instructions présentes sur l'outil avant d'essayer de l'assembler et de l'utiliser.

	Alerte de sécurité	Précautions concernant votre sécurité.
	Lire le manuel d'utilisation	Pour réduire le risque de blessures, l'utilisateur doit lire et comprendre le manuel d'utilisation avant d'utiliser ce produit.
	Porter une protection oculaire	Toujours porter un masque de sécurité ou des lunettes de sécurité avec boucliers latéraux et un masque facial intégral lors de l'utilisation de ce produit.
	Porter une protection auditive	Toujours porter une protection auditive pendant l'utilisation de ce produit.
	Diamètre du fil	Le diamètre du fil de coupe en nylon.
	Largeur de coupe	Largeur de coupe maximale de la taille-bordure
	Sans lame de coupe	N'installez pas de lame de coupe en métal ou en plastique
	Ne pas exposer à la pluie	Ne pas utiliser sous la pluie et ne pas laisser dehors quand il pleut.
	Maintenir les autres personnes éloignées	Veiller à ce que les autres personnes et les animaux restent éloignés d'au moins 15m de la taille-bordure pendant son utilisation.
	Maintenir les autres personnes éloignées	Veiller à ce que les autres personnes et les animaux restent éloignés d'au moins 15m de la taille-bordure pendant son utilisation.
V	Volt	Tension

A	Ampères	Courant
Hz	Hertz	Fréquence (cycles par seconde)
W	Watt	Puissance
min	Minutes	Durée
~	Courant alternatif	Type de courant
—	Courant continu	Type ou caractéristique du courant
n_0	Régime à vide	Vitesse de rotation sans charge
... /min	Par minute	Tours par minute

CONSIGNES DE SÉCURITÉ IMPORTANTES

⚠ AVERTISSEMENT: Lors de l'utilisation de taille-bordures, des précautions de sécurités élémentaires doivent toujours être respectées afin de réduire les risques d'incendie, de choc électrique et de blessure corporelle, parmi lesquelles :

LIRE ATTENTIVEMENT AVANT UTILISATION.

CONSERVER POUR CONSULTATION ULTÉRIEURE.

⚠ DANGER: Ne comptez pas uniquement sur l'isolation de l'outil pour vous protéger des chocs électriques. Pour réduire le risque d'électrocution, n'utilisez jamais l'outil à proximité de câble ou de fils (lignes électriques, etc.), car ils peuvent être parcourus par un courant électrique.

⚠ ATTENTION: Portez une protection auditive individuelle appropriée pendant l'utilisation. Dans certaines conditions et durées d'utilisation, le bruit généré par ce produit peut contribuer à une perte d'acuité auditive.

ENTRAÎNEMENT

- Lisez attentivement le manuel d'utilisation. Familiarisez-vous avec les commandes et l'utilisation correcte de l'outil.
- Ne laissez jamais des enfants ou des personnes non familiarisées avec les présentes instructions utiliser l'outil. Les réglementations locales peuvent définir un âge minimal pour l'opérateur.
- Gardez à l'esprit que l'utilisateur ou l'opérateur est responsable des accidents ou dangers causés à autrui ou à la propriété d'autrui.

PRÉPARATION

- N'utilisez jamais l'outil si des personnes, notamment des enfants, ou des animaux de compagnies sont à proximité.
- Portez en permanence des protections oculaires et des chaussures robustes pendant l'utilisation de l'outil.
- La distance entre l'outil et les autres personnes doit être de 15m au minimum.
- N'utilisez pas de lames métalliques.

UTILISATION

- Utilisez l'outil exclusivement à la lumière du jour ou sous une lumière artificielle suffisante.
- N'utilisez jamais l'outil si ses boucliers/dispositifs de protection ne sont pas assemblés ou sont endommagés.
- Mettez le moteur en marche uniquement quand vos mains et pieds sont éloignés des accessoires de coupe.
- Débranchez toujours l'outil de l'alimentation électrique (c.-à-d. débranchez sa fiche de la prise électrique ou enlevez le dispositif coupe-circuit)
 - Chaque fois que vous laissez l'outil sans surveillance.
 - Avant d'éliminer un bouchage.
 - Avant d'inspecter, de nettoyer ou de travailler sur l'outil.
 - Après avoir percuté un objet étranger.
 - Si l'outil se met à vibrer anormalement.
- Prenez garde à ce que vos pieds et vos mains ne soient pas blessés par les pièces de coupe.
- Veillez à ce que les ouïes de ventilation ne soient jamais bouchées par des débris.

ENTRETIEN ET STOCKAGE

- Débranchez l'outil de l'alimentation électrique (c'est-à-dire débranchez sa fiche de la prise électrique ou retirez le dispositif coupe-circuit) avant d'effectuer une opération d'entretien ou de nettoyage.
- Utilisez exclusivement les pièces et accessoires de rechange recommandés par le fabricant.
- Inspectez et entretenez l'outil régulièrement. Faites réparer l'outil exclusivement par un réparateur agréé.
- Rangez l'outil hors de portée des enfants quand vous ne l'utilisez pas.

CONSIGNES DE SÉCURITÉ COMPLÉMENTAIRES

- Évitez les environnements dangereux – N'utilisez pas les taille-bordures dans les endroits mouillés et détrempés.

- Éteignez toujours l'outil et retirez sa batterie avant de le laisser sans surveillance.
- N'utilisez pas l'outil sous la pluie.
- Maintenez les enfants éloignés – Tous les visiteurs doivent être maintenus éloignés de l'aire de travail.
- Soyez correctement vêtu – Ne portez pas de vêtement ample ni de bijou. Ils peuvent se prendre dans les pièces mobiles. Il est recommandé de porter des chaussures solides et des gants en caoutchouc lorsque le travail est effectué en extérieur. Portez un couvre-chef protecteur pour maintenir les cheveux longs.
- Portez des lunettes de sécurité – Utilisez toujours un masque antipoussière ou un masque facial si le travail génère des poussières.
- Utilisez l'outil approprié – N'utilisez pas l'outil à un travail autre que celui pour lequel il a été conçu.
- Ne forcez pas l'outil – L'outil effectuera un travail de meilleure qualité avec un risque de blessure moindre s'il est utilisé au rythme pour lequel il a été conçu.
- N'essayez pas d'atteindre des endroits difficiles à atteindre – Ayez toujours des appuis des pieds solides et conservez constamment un bon équilibre.
- Soyez toujours sur vos gardes – Regardez ce que vous êtes en train de faire. Faites preuve de bon sens. N'utilisez pas l'outil quand vous êtes fatigué.
- N'utilisez pas l'outil quand vous êtes sous l'influence de l'alcool ou de stupéfiants.
- Les dispositifs de protection doivent toujours être assemblés et en bon état de marche.
- Rangez le taille-bordure en intérieur – Quand l'outil n'est pas utilisé, il doit être rangé en intérieur dans un endroit en hauteur ou fermé à clé avec sa batterie retirée – hors de portée des enfants.
- Entretenez le taille-bordure avec soin – Veillez à ce que les accessoires de coupe restent propres afin d'optimiser les performances et de réduire le risque de blessures. Respectez les instructions de changement des accessoires. Veillez à ce que les poignées restent propres, sèches et exemptes d'huile et de graisse.
- Inspectez les pièces endommagées – Avant toute utilisation supplémentaire de l'outil, tout dispositif de protection ou toute autre pièce endommagée doit être minutieusement inspecté pour déterminer s'il fonctionnera normalement et pourra remplir la fonction pour laquelle il est prévu. Contrôlez l'outil pour vérifier qu'aucune pièce mobile n'est coincée ou mal alignée, qu'aucune pièce n'est cassée, et pour tout autre problème qui pourrait nuire à son fonctionnement. Si une protection ou une autre pièce est endommagée, elle doit être correctement réparée par un centre de réparation agréé, sauf indication contraire de ce manuel d'utilisation.
- Nettoyez la zone à couper avant chaque utilisation. Retirez tous les objets pouvant s'emmêler dans les accessoires de coupe ou être projetés, par exemple les pierres, les morceaux de verre, les clous, les fils métalliques, les ficelles. Veillez à ce que les autres personnes et les animaux restent éloignés d'au moins 15m.
- Avant chaque utilisation et après chaque impact, inspectez l'appareil pour vérifier qu'il n'est ni usé ni endommagé. Faites-le réparer si nécessaire.
- Tenez toujours l'outil fermement avec vos deux mains tenant ses poignées pendant l'utilisation. Enroulez vos doigts et votre pouce autour des poignées.
- Évitez les démarrages accidentels – Ne portez pas l'outil avec vos doigts sur son interrupteur marche/arrêt.
- N'utilisez pas l'outil dans les atmosphères explosives ni celles où il peut y avoir des vapeurs d'essence. Les moteurs de ces outils produisent des étincelles pouvant enflammer les vapeurs.
- Ne touchez pas les pièces mobiles dangereuses avant d'avoir éteint l'outil (ou d'avoir retiré la batterie de l'outil) et avant que les pièces mobiles dangereuses se soient complètement arrêtées.
- Détérioration du taille-bordure – Si vous percutez un objet étranger avec l'outil ou s'il s'emmêle dedans, éteignez l'outil immédiatement, retirez la batterie de l'outil, inspectez-le pour vérifier qu'il n'est pas endommagé et faites réparer toute détérioration avant d'essayer de réutiliser l'outil. N'utilisez pas l'outil avec un dispositif de protection ou une bobine cassé.
- Si l'outil commence à vibrer anormalement, éteignez son moteur, retirez la batterie de l'outil et inspectez immédiatement l'outil pour en trouver la cause. Les vibrations indiquent généralement qu'il y a un problème. Une tête desserrée peut vibrer, se fissurer, casser ou se désolidariser de l'outil, ce qui peut provoquer des blessures graves ou mortelles. Vérifiez que l'accessoire de coupe est correctement fixé en position. Si la tête se desserre après avoir été fixée en position, remplacez-la immédiatement. N'utilisez jamais l'outil avec un accessoire de coupe desserré.
- Remplacez immédiatement la tête de coupe si elle est fissurée, endommagée ou usée, même si la détérioration se limite à des fissures superficielles. De tels accessoires peuvent se briser à haute vitesse et provoquer des blessures graves ou mortelles.
- Inspectez l'accessoire de coupe à intervalles courts et réguliers pendant l'utilisation ou immédiatement si vous constatez un changement notable dans son comportement de coupe.

- Utilisez exclusivement des fils de coupe en polymère autorisés EGO™ et des fils de coupe conçus pour être utilisés avec cet outil. Bien que certains accessoires autorisés puissent être assemblés sur le taille-bordure EGO™, leur utilisation peut être extrêmement dangereuse et/ou peut provoquer la détérioration de l'outil.
- Pour réduire le risque de blessures graves, n'utilisez jamais de fil métallique, de fil à renfort métallique, ni de fil constitué d'un matériau autre que du nylon. Utilisez exclusivement des fils de coupe en nylon. Des morceaux de fil pourraient se détacher et être projetés à haute vitesse vers l'opérateur et les autres personnes présentes.
- Pour réduire le risque de blessures dues à la perte de contrôle de l'outil, ne travaillez jamais sur une échelle ni sur aucun autre support non sûr. Ne positionnez jamais l'accessoire de coupe plus haut que votre taille.
- Si des situations non couvertes par ce manuel se produisent, faites preuve de prudence et de bon sens. Contactez le centre de réparation EGO pour lui demander conseil.
- Ne rechargez pas la batterie sous la pluie ni dans les endroits mouillés.
- Utilisez exclusivement les batteries et les chargeurs listés ci-dessous :

BATTERIE	CHARGEUR
BA1 120E, BA2240E, BA2800, BA3360, BA4200	CH5500E, CH2100E

- La batterie doit être retirée de l'outil avant la mise au rebut.
- La batterie doit être mise au rebut d'une manière sûre.
- Ne jetez pas la batterie dans un feu pour vous en débarrasser. Les batteries/accumulateurs peuvent exploser. Consultez les réglementations locales pour savoir si elles comportent des dispositions spéciales de mise au rebut.
- N'ouvrez pas la batterie et ne la mutiliez pas. L'électrolyte sortant des batteries est corrosif et peut blesser les yeux et la peau. Il peut être toxique s'il est avalé.
- Faites attention lors de la manipulation des batteries pour éviter de les court-circuiter avec des matériaux conducteurs, par exemple des bagues, des bracelets ou des clés. La batterie ou le conducteur peut surchauffer et provoquer des brûlures.
- Les réparations ne doivent être effectuées qu'avec des pièces de rechange EGO™ identiques. L'utilisation de tout autre accessoire peut accroître le risque de blessure.

- Les outils alimentés par batterie n'ont pas à être branchés dans une prise électrique, ils sont donc toujours prêts à fonctionner. Prenez garde aux dangers potentiels même quand l'outil n'est pas en fonctionnement. Faites attention pendant l'entretien ou la réparation.
- Ne lavez pas l'outil avec un tuyau. Veillez à ce que de l'eau ne pénètre pas dans le moteur ni sur les connexions électriques.
- Conservez ce manuel d'utilisation. Consultez-le fréquemment et servez-vous-en pour instruire les autres personnes devant utiliser cet outil. Si vous prêtez cet outil à un tiers, prêtez-lui également ce manuel d'utilisation pour éviter l'utilisation incorrecte du produit et des blessures potentielles.
- Pendant l'utilisation de l'outil, portez toujours un pantalon long et des chaussures résistants.
- Soyez toujours sûr de vos appuis sur les pentes, et marchez, ne courez jamais.

CONSERVEZ CE MANUEL D'UTILISATION !

SPÉCIFICATIONS

Tension	56 V ---	
Régime à vide	5200-6500 /min	
Mécanisme de coupe	Tête de frappe	
Type de fil de coupe	AL0802 2.0mm Fil de nylon twist	
Largeur de coupe	33 cm	
Poids (sans la batterie)	2,76 kg	
Niveau de puissance acoustique mesuré L_{WA}	89,25 dB(A) K=2,5 dB(A)	
Maximale niveau de pression acoustique au niveau des oreilles de l'opérateur L_{PA}	75,2 dB(A) K=2,5 dB(A)	
Niveau de puissance acoustique garanti L_{WA} (conformément à la norme 2000/14/CE)	93 dB(A)	
Vibration a_n	Poignée auxiliaire avant	2,134 m/s ² K=1,5 m/s ²
	Poignée arrière	1,231 m/s ² K=1,5 m/s ²

- La valeur totale des vibrations indiquée a été mesurée selon une procédure conforme à une méthode de test standardisée et peut servir pour comparer différents outils.

- La valeur totale des vibrations indiquée peut également servir pour effectuer une première évaluation de l'exposition.

REMARQUE : L'émission de vibrations pendant l'utilisation réelle de l'outil électrique est fonction de la manière dont il est utilisé et peut différer de la valeur indiquée. Pour se protéger, l'opérateur doit porter des gants et un casque antibruit dans les conditions actuelles d'utilisation.

FR

CONTENU DE L'EMBALLAGE

NOM DE PIÈCE	QUANTITÉ
Taille-bordure	1
Capot de protection	1
Poignée auxiliaire avant	1
Clé 6 pans	1
Manuel d'utilisation	1

DESCRIPTION

DESCRIPTION DE VOTRE TAILLE-BORDURE (Image A)

- Interrupteur-gâchette
- Poignée arrière
- Lever de déverrouillage
- Bouton de réglage de la vitesse
- Manchon souple
- Poignée auxiliaire avant réglable
- Tête de frappe (Tête de coupe)
- Bouton de frappe
- Lame de coupe du fil
- Capot de protection
- Mécanisme d'éjection
- Contacts électriques
- Loquet
- Bouton de déblocage de la batterie

ASSEMBLAGE

AVERTISSEMENT: Si une pièce est manquante ou endommagée, n'utilisez pas cet outil tant qu'elle n'a pas été remplacée. Utiliser cet outil avec des pièces endommagées ou manquantes peut provoquer des blessures corporelles graves.

AVERTISSEMENT: N'essayez jamais de modifier l'outil ni de créer des accessoires non recommandés pour être utilisés avec ce taille-bordure. De tels modifications et changements constituent une utilisation impropre et peuvent engendrer des situations dangereuses

AVERTISSEMENT: Pour éviter un démarrage accidentel pouvant provoquer des blessures corporelles graves, retirez toujours la batterie de l'outil avant d'assembler une pièce.

ASSEMBLER LE CAPOT DE PROTECTION

AVERTISSEMENT: Portez toujours des gants pour assembler ou remplacer le capot de protection. Prenez garde à la lame du capot de protection et protégez votre main pour éviter de vous couper.

AVERTISSEMENT: N'utilisez jamais l'outil sans son capot de protection solidement assemblé. Le capot de protection doit toujours être assemblé sur l'outil pour protéger l'utilisateur ! Une fois que le capot de protection a été fixé, n'essayez jamais de le démonter ou de le régler. S'il doit être remplacé, cela doit être fait par un réparateur qualifié !

Desserrez et retirez les deux vis à la base du manche (Image B). Alignez les trous du capot de protection avec les trous d'assemblage, puis fixez-le sur la base du manche avec les deux vis. Vérifiez que le capot de protection est fixé comme montré sur les images B et C, un montage inversé est très dangereux !

ASSEMBLER ET RÉGLER LA POIGNÉE AUXILIAIRE AVANT

Enfoncez la poignée auxiliaire avant dans le manche (Image E), puis insérez le bloc de fixation dans la rainure de la poignée (Image F), assemblez le levier de verrouillage et bloquez-les avec l'écrou papillon (Image G). La séquence est montrée sur l'image D. Pour terminer, réglez la position de la poignée auxiliaire avant en sorte que votre bras avant soit tendu pendant l'utilisation du taille-bordure (Image H), puis verrouillez le levier de verrouillage (Image I).

Images D et H Description des pièces, voir ci-dessous :

D-1	Poignée auxiliaire avant	D-4	Écrou papillon
D-2	Lever de verrouillage	H-1	Manchon souple
D-3	Bloc de fixation	H-2	Marquage de mise en garde

REMARQUE: La poignée auxiliaire avant doit être tournée vers le haut et dirigée vers le haut de la poignée.

AVERTISSEMENT: Fixez la poignée auxiliaire avant exclusivement devant le manchon souple du manche.

⚠ AVERTISSEMENT: L'outil ne peut pas être utilisé sans la poignée auxiliaire avant solidement fixée.

UTILISATION

⚠ AVERTISSEMENT : Veillez à ne pas devenir moins prudent au fur et à mesure que vous vous familiarisez avec cet outil. Gardez à l'esprit qu'une seconde d'inattention peut suffire pour provoquer des blessures graves.

⚠ AVERTISSEMENT : Portez toujours une protection oculaire avec boucliers latéraux. Et portez toujours une protection auditive. Sans ce type de protection, des objets peuvent être projetés dans vos yeux et d'autres blessures graves peuvent se produire.

⚠ AVERTISSEMENT : N'utilisez aucun accessoire ou pièce non recommandé par le fabricant de ce produit. L'utilisation d'accessoires ou de pièces non recommandés peut provoquer de graves blessures corporelles.

⚠ AVERTISSEMENT : Utilisez votre taille-bordure équipé d'un fil de coupe approprié exclusivement pour couper de l'herbe et des matières similaires.

Vous pouvez utiliser ce produit pour les usages listés ci-dessous :

Tailler : Pour couper le gazon et les mauvaises herbes près des murs, des barrières, des arbres et des bordures.

Couper : Pour couper le gazon difficile à atteindre avec une tondeuse classique.

REMARQUE : L'outil ne doit être utilisé qu'à la finalité spécifiée pour lui. Tout autre usage, par exemple tailler des haies, est considéré impropre.

INSÉRER/RETIRER LA BATTERIE

Rechargez complètement la batterie avant la première utilisation.

Insérer la batterie

Alignez les arêtes de la batterie avec les rainures d'assemblage et appuyez la batterie vers le bas jusqu'à entendre un déclic.

Retrait

Appuyez sur le bouton de déblocage de la batterie et tirez la batterie hors de l'outil (Image K).

TENIR LE TAILLE-BORDURE

⚠ AVERTISSEMENT: Soyez correctement vêtu pour réduire le risque de blessures pendant l'utilisation de cet outil. Ne portez pas de vêtement ample ni de bijou. Portez des protections oculaires et auditives. Portez des gants, des bottes et des pantalons longs et résistants. Ne portez pas de shorts ni de sandales et ne soyez pas pieds nus.

Avant utilisation, saisissez le taille-bordure à deux mains, avec une main sur la poignée arrière et l'autre main sur la poignée auxiliaire avant dont le bras doit être tendu (Image L). Puis vérifiez que vous avez des appuis des pieds équilibrés et que vous êtes à une distance de coupe appropriée sans vous pencher.

DÉMARRER ET ÉTEINDRE LE TAILLE-BORDURE

Allumer l'outil

Appuyez sur le levier de déverrouillage et maintenez-le dans cette position. Appuyez sur l'interrupteur-gâchette pour allumer le taille-bordure (Image M).

Arrêter l'outil

Relâchez le levier de déverrouillage et l'interrupteur-gâchette.

REMARQUE: Le moteur a deux vitesses de coupe, position 1 pour la vitesse lente et la position 2 pour la vitesse rapide, comme montré sur l'image M. Poussez simplement le bouton de réglage de la vitesse dans la position appropriée pendant la coupe.

Image M Description des pièces, voir ci-dessous :

M-1	Position 1
M-2	Position 2

⚠ AVERTISSEMENT : Retirez toujours la batterie du taille-bordure pendant les pauses durant le travail et après avoir terminé le travail.

UTILISER LE TAILLE-BORDURE

⚠ AVERTISSEMENT: Pour éviter des blessures corporelles graves, portez en permanence des lunettes de sécurité ou un masque pendant l'utilisation de cet outil. Portez un masque facial ou un masque à poussière dans les endroits poussiéreux.

Nettoyez la zone à couper avant chaque utilisation. Retirez tous les objets pouvant s'emmêler dans les accessoires de coupe ou être projetés, par exemple les pierres, les morceaux de verre, les clous, les fils métalliques, les ficelles. Veillez à ce qu'il n'y ait aucune autre personne, aucun enfant, ni aucun animal dans l'aire de travail. Veillez à ce que tous les enfants, toutes les autres personnes et tous les animaux soient toujours à plus de 15 mètres de l'outil en fonctionnement, car il y a un risque de projection d'objets. Il faut insister pour que les autres personnes présentes portent une protection oculaire. Si une personne s'approche de vous, éteignez immédiatement le moteur et l'accessoire de coupe.

Avant chaque utilisation, inspectez l'outil pour détecter des pièces usées ou endommagées

Inspectez la tête de frappe, le capot de protection, la poignée auxiliaire avant, et remplacez les pièces fissurées, voilées, tordues ou présentant une autre détérioration.

La lame de coupe du fil présente sur le bord du capot de protection s'use avec le temps. Il est recommandé de l'affûter régulièrement avec une lime ou de la remplacer par une lame neuve.

AVERTISSEMENT: Portez toujours des gants pour assembler le capot de protection ou affûter ou remplacer la lame. Prenez garde à la lame du capot de protection et protégez votre main pour éviter de vous couper.

Après chaque utilisation, nettoyez l'outil.

ATTENTION: Si les ouïes de ventilation sont bouchées, cela empêchera l'air de circuler dans le boîtier du moteur, ce qui peut provoquer la surchauffe et la détérioration du moteur.

- Nettoyez l'outil exclusivement avec un chiffon humide et du savon doux. Veillez à ce qu'aucun liquide ne pénètre jamais dans l'outil. N'immergez jamais aucune partie de l'outil dans un liquide.
- Veillez à ce que les ouïes de ventilation du boîtier du moteur et du manche restent en permanence exempts de débris

AVERTISSEMENT: N'utilisez jamais d'eau pour nettoyer votre outil. N'utilisez pas de solvant pour nettoyer les pièces en plastique. La plupart des plastiques peuvent être détériorés par de nombreux types de solvants vendus dans le commerce. Utilisez des chiffons propres pour enlever les saletés, les poussières, l'huile, la graisse, etc.

RÉGLER LA LONGUEUR DU FIL DE COUPE

La tête de frappe permet à l'opérateur d'allonger le fil de coupe sans avoir à éteindre le moteur. Quand le fil de coupe devient usé ou effiloché, vous pouvez l'allonger en frappant légèrement le bouton de frappe sur le sol pendant que l'outil est en marche (Image N).

REMARQUE: Plus le fil de coupe devient court, plus il est difficile de l'allonger.

AVERTISSEMENT: Ne retirez pas et ne modifiez pas l'assemblage de la lame de coupe du fil. Si la longueur du fil de coupe est excessive, cela peut provoquer la surchauffe du moteur et des blessures corporelles graves.

CHANGER LE FIL DE COUPE

AVERTISSEMENT: N'utilisez jamais de corde, de fil métallique, de fil à renfort métallique, etc., car ils peuvent se casser et devenir des projectiles dangereux.

Il y a deux méthodes pour changer le fil de coupe :

- Enrouler du fil de coupe neuf sur la bobine.
- Installer une bobine pré-enroulée (AS1300, AS1301, AS1302, si nécessaire, disponible auprès du distributeur).

Enrouler du fil de coupe neuf sur la bobine

Appuyez sur les deux languettes de déblocage de la base de la bobine et tirez le boîtier de bobine vers l'extérieur (Image O). Préparez 7m environ de fil de coupe neuf. Pliez-le et enroulez-le sur la bobine comme montré sur les images P et Q. Puis insérez ses deux extrémités dans les deux encoches opposées de la bobine (Image R) et placez la bobine dans son boîtier en alignant les encoches avec les œillets du boîtier (Image T). Pour terminer, alignez les encoches du boîtier de bobine avec les languettes de la base de la bobine et appuyez uniformément le boîtier vers le bas en veillant à ce qu'il s'encastre bien (Image S).

REMARQUE: Nettoyez toujours le boîtier de bobine, la bobine et la base de la bobine avant de réassembler la tête de coupe. Inspectez le boîtier de bobine, la bobine et la base de la bobine pour vérifier qu'ils ne sont pas usés. Si nécessaire, remplacez les pièces usées.

REMARQUE: Ne pas enrouler le fil de coupe dans le sens indiqué provoquera le dysfonctionnement de la tête de coupe.

Assembler une bobine pré-enroulée

Appuyez sur les deux languettes de déblocage de la base de la bobine et tirez le boîtier de bobine vers l'extérieur (Image O). Puis insérez une bobine pré-enroulée dans le boîtier en alignant les encoches avec les œillets du boîtier (Image T). Pour terminer, alignez les encoches du boîtier de bobine avec les languettes de la base de la bobine et appuyez uniformément le boîtier vers le bas en veillant à ce qu'il s'encastre bien (Image S).

Images S et T Description des pièces, voir ci-dessous :

S-1	Langquette	T-1	Encoche
S-2	Encoche	T-2	Œillet

REMARQUE : Veillez à ce que les languettes de la base de la bobine s'encastrent, sinon la bobine se détachera pendant l'utilisation.

ENTRETIEN

⚠ AVERTISSEMENT: L'outil ne doit être réparé qu'avec des pièces de rechange identique. Inspectez et entretenez l'outil régulièrement. Pour garantir la sécurité et la fiabilité, toutes les réparations doivent être effectuées par un réparateur qualifié.

⚠ AVERTISSEMENT: Les outils alimentés par batterie n'ont pas à être branchés dans une prise électrique, ils sont donc toujours prêts à fonctionner. Pour éviter des blessures corporelles graves, faites extrêmement attention lors de l'entretien et de la réparation de l'outil et lors du changement de l'accessoire de coupe ou d'autres accessoires.

⚠ AVERTISSEMENT: Pour éviter les blessures corporelles graves, retirez la batterie de l'outil avant de le réparer, de le nettoyer, de changer un accessoire ou d'enlever des matières de l'outil.

NETTOYER L'OUTIL

- Nettoyez l'outil avec un chiffon humide et un détergent doux.
- N'utilisez pas de détergent puissant sur le boîtier en plastique ou sur la poignée, car ils peuvent être endommagés par certaines huiles aromatiques, par exemple de pin et de citron, et par les solvants, par exemple l'essence. L'humidité peut également générer un risque de choc électrique. Essuyez les traces d'humidité avec un chiffon doux et sec.
- Avec une petite brosse ou l'air sortant de la brosse de nettoyage d'un petit aspirateur, nettoyez les ouïes de ventilation du boîtier arrière pour enlever tous les débris.

RANGER L'OUTIL

- Retirez la batterie du taille-bordure quand vous ne l'utilisez pas.
- Nettoyez soigneusement et intégralement l'outil avant de le ranger.
- Rangez l'outil dans un endroit sec et bien aéré, fermé à clé ou en hauteur, hors de portée des enfants. Ne rangez pas l'outil sur ou à côté d'engrais, d'essence ou d'autres substances chimiques.

Protection de l'environnement



Ne jetez pas les équipements électriques, les chargeurs de batterie, les batteries rechargeables et les piles avec les ordures ménagères !

Conformément à la directive européenne 2012/19/UE, les équipements électriques et électroniques qui ne sont plus utilisables, et conformément à la directive européenne 2006/66/CE, les batteries rechargeables et les piles usagées ou défectueuses doivent être collectés séparément.

Si les appareils électriques sont jetés dans des décharges ou des dépôts d'ordures, des substances dangereuses peuvent s'infiltrer jusque dans la nappe phréatique et entrer dans la chaîne alimentaire, avec un effet néfaste sur votre santé et votre bien-être.

FR

DÉCLARATION DE CONFORMITÉ CE

Nous, CHERVON EUROPE LTD.

47 CASTLE STREET, READING, RG1 7SR, UNITED KINGDOM

Déclarons que le taille-bordure sans fil **lithium-ion 56 V ST1300E** satisfait aux exigences sanitaires et de sécurité essentielles des directives suivantes :

2006/42/CE, 2014/30/UE, 2011/65/UE, 2000/14/CE

Normes et spécifications techniques applicables :

EN 60335-1, EN 50636-2-91, EN ISO 11806-1, EN ISO 12100, EN 62233, EN 55014-1, EN 55014-2

Niveau de puissance acoustique mesuré : 89,25 dB(A).

Niveau de puissance acoustique garanti : 93 dB(A).

Peter Melrose
Vice-Président de Chervon Europe

Dong Jianxun
Directeur Qualité de Chervon

* (Représentant autorisé par CHERVON et responsable de la documentation technique)

01/04/2016

DÉPANNAGE

FR

PROBLÈME	CAUSE	SOLUTION
Le taille-bordure ne s'allume pas.	<ul style="list-style-type: none"> ■ La batterie n'est pas insérée dans le taille-bordure. ■ Il n'y a pas de contact électrique entre l'outil et la batterie. ■ La batterie est déchargée. ■ Le levier de déverrouillage et l'interrupteur-gâchette ne sont pas tous les deux appuyés. 	<ul style="list-style-type: none"> ■ Insérez la batterie dans le taille-bordure. ■ Retirez la batterie, inspectez les contacts, puis réinsérez la batterie. ■ Rechargez la batterie. ■ Appuyez sur le levier de déverrouillage et maintenez-le appuyé, puis appuyez sur l'interrupteur-gâchette pour allumer le taille-bordure.
Le taille-bordure s'arrête pendant la coupe.	<ul style="list-style-type: none"> ■ Le capot de protection n'est pas assemblé sur l'outil, ce qui provoque une longueur excessive du fil de coupe et la surcharge du moteur. ■ Un fil de coupe trop épais est utilisé. ■ L'arbre du moteur ou la tête de coupe est bloqué par de l'herbe. ■ Le moteur est en surcharge. ■ La batterie ou le taille-bordure est trop chaud. ■ La batterie est déconnectée de l'outil. ■ La batterie est déchargée. 	<ul style="list-style-type: none"> ■ Retirez la batterie, puis assemblez le capot de protection sur l'outil. ■ Utilisez exclusivement un fil de coupe en nylon de 2,0mm de diamètre ou d'un diamètre inférieur. ■ Éteignez l'outil, retirez la batterie, puis retirez l'herbe de l'arbre du moteur et de la tête de coupe. ■ Retirez la tête de coupe de l'herbe. Le moteur retrouve un fonctionnement normal dès que la charge est retirée. Pendant la coupe, déplacez la tête de coupe dans et hors de l'herbe à couper, et ne coupez pas une longueur supérieure à 20cm en un seul passage. ■ Laissez la batterie et l'outil refroidir jusqu'à ce que sa température devienne inférieure à 67 °C. ■ Réinstallez la batterie. ■ Rechargez la batterie.

PROBLÈME	CAUSE	SOLUTION
La tête de coupe ne fait pas avancer le fil de coupe.	<ul style="list-style-type: none"> ■ L'arbre du moteur ou la tête de coupe est bloqué par de l'herbe. ■ Il n'y a pas assez de fil de coupe sur la bobine. ■ La tête de coupe est sale. ■ Le fil de coupe est emmêlé sur la bobine. ■ Le fil de coupe est trop court. 	<ul style="list-style-type: none"> ■ Éteignez l'outil, retirez la batterie, puis retirez l'herbe de l'arbre du moteur et de la tête de coupe. ■ Retirez la batterie et changez le fil de coupe. Pour cela, consultez le chapitre « CHANGER LE FIL DE COUPE » de ce manuel d'utilisation. ■ Retirez la batterie et nettoyez la bobine, le boîtier de bobine et la base de la bobine. ■ Retirez la batterie, enlevez le fil de coupe de la bobine, puis rembobinez-le. Pour cela, consultez le chapitre « CHANGER LE FIL DE COUPE » de ce manuel d'utilisation. ■ Retirez la batterie, puis tirez les extrémités du fil de coupe en appuyant et en actionnant le bouton de frappe alternativement.
De l'herbe s'enroule autour de la tête de coupe et du boîtier du moteur.	<ul style="list-style-type: none"> ■ Vous coupez de l'herbe haute au ras du sol. 	<ul style="list-style-type: none"> ■ Coupez l'herbe haute progressivement du haut vers le bas en coupant 20cm au maximum à chaque passage pour éviter que l'herbe ne s'enroule.
Le fil de coupe ne coupe pas bien.	<ul style="list-style-type: none"> ■ La lame de coupe du fil sur le bord du capot de protection est usée. 	<ul style="list-style-type: none"> ■ Affûtez la lame de coupe du fil avec une lime ou remplacez-la par une lame neuve.

GARANTIE

POLITIQUE DE GARANTIE EGO

Veillez consulter le site egopowerplus.com pour trouver l'ensemble des modalités et conditions de la politique de garantie EGO

LEA TODAS LAS INSTRUCCIONES!



ASEGÚRESE DE LEER Y ENTENDER PERFECTAMENTE EL MANUAL DE INSTRUCCIONES

⚠ ¡Riesgo residual! Aquellas personas con implantes electrónicos, tales como marcapasos, deberán consultar a su médico antes de utilizar este producto. La utilización de equipos eléctricos a proximidad de un marcapasos podría causar en este interferencias o averías.

⚠ ADVERTENCIA: Para garantizar la seguridad y fiabilidad de la herramienta, confíe cualquier reparación y sustitución de piezas que sea necesaria a personal técnico cualificado.

SÍMBOLOS RELACIONADOS CON LA SEGURIDAD

El propósito de los símbolos de seguridad es el de atraer su atención hacia los posibles peligros que conlleva la utilización del producto. Los símbolos de seguridad y las explicaciones que los acompañan requieren su máxima atención y comprensión. Por sí solos, los símbolos de advertencia no eliminan los posibles peligros que pudieran existir. Las instrucciones y advertencias que aquí se incluyen no son sustitutas en modo alguno de las medidas de prevención adecuadas que deben tomarse para evitar posibles accidentes.

⚠ ADVERTENCIA: Antes de utilizar esta herramienta, asegúrese de haber leído y entendido perfectamente todas las instrucciones incluidas en este Manual del usuario, incluidos todos los símbolos de aviso sobre seguridad, tales como **PELIGRO, ADVERTENCIA** y **PRECAUCIÓN**. De no observarse todas las instrucciones proporcionadas a continuación podría existir un riesgo de incendio, electrocución, así como de lesiones físicas graves.

SIGNIFICADO DE LOS DISTINTOS SÍMBOLOS





SÍMBOLO DE AVISO DE SEGURIDAD: señala algún tipo de PELIGRO, ADVERTENCIA o PRECAUCIÓN a tener en cuenta. Este símbolo podrá utilizarse de manera conjunta con otros símbolos o pictogramas.



⚠ ADVERTENCIA: Es posible que, cuando se utilizan herramientas eléctricas, salgan despedidos objetos que podrían causar lesiones oculares severas si no se utiliza equipo de protección personal adecuado. Antes de empezar a usar herramientas eléctricas, póngase siempre gafas de seguridad, gafas con cristales anti-impacto que cuenten con pantallas de protección lateral, o bien una máscara facial que proteja completamente la cara. Recomendamos la utilización de máscaras de seguridad de amplia visión que pueden utilizarse encima de gafas graduadas, o bien gafas normales de seguridad equipadas con pantallas laterales.

INSTRUCCIONES RELACIONADAS CON LA SEGURIDAD

Esta página muestra y describe los símbolos de seguridad que puede haber en este producto. Asegúrese de leer, entender perfectamente y observar todas las instrucciones estampadas o proporcionadas con el producto antes de proceder a su montaje y utilización.

	Aviso de seguridad	Se trata de precauciones relacionadas con su seguridad.
	Leer el Manual del usuario	Para reducir en lo posible el riesgo de lesiones, será necesario leer y entender perfectamente el Manual del usuario antes de proceder a utilizar este producto.
	Utilizar protección ocular	Utilice siempre utilice gafas de seguridad, gafas con cristales anti-impacto que cuenten con pantallas de protección lateral, o bien una máscara facial que proteja completamente la cara cuando se sirva de este producto.
	Utilizar protección auditiva	Utilice siempre protección auditiva cuando se sirva de este producto.
	Diámetro del hilo de corte	Observe el diámetro del hilo de corte indicado.

	Anchura de corte	Observe la anchura de corte máxima del cortabordes con cabezal de hilo.
	Sin cuchilla	No instale la cuchilla de corte de metal o de plástico
	No exponga la herramienta a la lluvia	No utilice la herramienta bajo la lluvia ni la deje a la intemperie cuando esté lloviendo.
	Mantener a terceros apartados de la zona donde se esté utilizando la herramienta	Asegúrese de que las personas y los animales domésticos se mantengan a una distancia de seguridad prudente de al menos 15 metros de la zona donde se esté utilizando el cortabordes con cabezal de hilo.
	Mantener a terceros apartados de la zona donde se esté utilizando la herramienta	Asegúrese de que las personas y los animales domésticos se mantengan a una distancia de seguridad prudente de al menos 15 metros de la zona donde se esté utilizando el cortabordes con cabezal de hilo.
V	Voltios	Tensión
A	Amperios	Corriente
Hz	Hercios	Frecuencia (ciclos por segundo)
W	Vatios	Potencia eléctrica
min	Minutos	Tiempo
~	Corriente alterna	Tipo de corriente
≡	Corriente continua	Tipo o característica de la corriente
n_0	Velocidad en vacío	Velocidad de giro, sin carga
... /min	Por minuto	Revoluciones por minuto

PRECAUCIONES IMPORTANTES DE SEGURIDAD

⚠ ADVERTENCIA: Cuando se utilicen cortabordes con cabezal de hilo, deberán adoptarse siempre ciertas precauciones de seguridad básicas a fin de reducir posibles riesgos de incendio, electrocución y lesiones físicas. Además, deberán tenerse en cuenta las advertencias siguientes:

LEA DETENIDAMENTE TODAS LAS INSTRUCCIONES ANTES DE UTILIZAR LA HERRAMIENTA

CONSERVE ESTA INFORMACIÓN COMO REFERENCIA FUTURA

⚠ ¡PELIGRO! No confíe exclusivamente en el aislamiento de la herramienta a modo de prevención contra posibles descargas eléctricas. Para reducir en lo posible cualquier riesgo de electrocución, nunca utilice la herramienta cerca de cables o tendidos eléctricos (alimentación, etc.) que pudieran estar bajo tensión.

⚠ PRECAUCIÓN: Utilice protección auditiva adecuada mientras se sirve de la herramienta. En ciertas condiciones de uso y en función del tiempo de exposición, el ruido generado por este producto podría dañar su capacidad auditiva.

FORMACIÓN

- Lea detenidamente las instrucciones proporcionadas. Familiarícese con los mandos, así como con la manera correcta de utilizar su herramienta.
- Nunca permita que utilicen la herramienta las personas que no estén familiarizadas con estas instrucciones ni los niños. En algunos casos, es posible que la legislación local estipule una edad mínima para poder utilizar este tipo de herramientas.
- Le recordamos que el operario o usuario de la herramienta será responsable de cualquier accidente o peligro que su utilización pudiera suponer para otras personas o bienes de terceros.

PREPARATIVOS PRELIMINARES

- Nunca utilice la herramienta cuando haya personas, especialmente niños o animales domésticos en las inmediaciones de la zona de trabajo.
- Utilice siempre protección ocular y calzado robusto mientras se sirve de la herramienta.
- La distancia entre la máquina y otras personas debe ser al menos 15m.
- No utilice cuchillas de metal.

UTILIZACIÓN

- Utilice únicamente la herramienta a plena luz del día o cuando exista iluminación artificial adecuada.
- Nunca utilice la herramienta con sus guardas de protección dañadas o sin sus dispositivos de seguridad instalados.
- No ponga en marcha el motor hasta haberse asegurado de tener las manos y los pies lo suficientemente apartados de los elementos de corte.
- Desconecte la herramienta de la fuente de alimentación (por ejemplo, desenchufándola de la red eléctrica, retirando su acumulador, o accionando el dispositivo de bloqueo o corte de alimentación) en los siguientes casos:
 - siempre que vaya a dejarla desatendida;
 - antes de eliminar cualquier obstrucción en la herramienta;
 - antes de comprobar, limpiar o llevar a cabo cualquier operación en la herramienta;
 - tras haber golpeado algún objeto extraño con el elemento de corte;
 - en cuanto se observen vibraciones anormales en la herramienta.
- Extreme las precauciones para evitar sufrir lesiones en los pies y las manos debido a la acción de los elementos de corte.
- Asegúrese siempre de que las rejillas de ventilación están libres de residuos y acumulaciones de suciedad.

MANTENIMIENTO Y ALMACENAMIENTO

- Desconecte la herramienta de la fuente de alimentación (por ejemplo, desenchufándola de la red eléctrica, retirando su acumulador, o accionando el dispositivo de bloqueo o corte de alimentación) antes de efectuar en ella cualquier tarea de mantenimiento o limpieza.
- Utilice únicamente piezas de repuesto y accesorios recomendados por el fabricante.
- Examine la herramienta a intervalos periódicos y lleve a cabo las operaciones de mantenimiento que sean necesarias. Confíe cualquier reparación que sea necesario efectuar en la herramienta a un servicio técnico autorizado.
- Cuando no la esté utilizando, guarde la herramienta en lugar fuera del alcance de niños.

ADVERTENCIAS DE SEGURIDAD COMPLEMENTARIAS

- Evite aquellas condiciones particularmente peligrosas. No utilice el cortabordes en hierba mojada o excesivamente húmeda.

- Asegúrese siempre de apagar el cortabordes con cabezal de hilo o retire el acumulador cuando vaya a dejarlo desatendido.
- Tampoco lo utilice bajo la lluvia.
- Mantenga alejados a los niños. todas las personas deberán mantenerse a una distancia prudente de la zona de trabajo.
- Utilice ropa adecuada. No lleve puesta ropa holgada ni joyas. Existe el peligro de que pudieran quedar atrapadas en las partes móviles de la herramienta. Se recomienda utilizar de guantes de goma y calzado adecuado cuando trabaje al aire libre. Si lleva el pelo largo, asegúrese de mantenerlo recogido utilizando alguna prenda de protección para la cabeza.
- Utilice gafas de seguridad. Asimismo, utilice siempre una mascarilla antipolvo o un aparato de protección respiratoria si el trabajo efectuado es propenso a generar polvo.
- Use siempre la herramienta correcta para el trabajo a realizar. No utilice la herramienta para ninguna otra tarea que no sea la prevista.
- No fuerce en exceso el cortabordes. La herramienta realizará el trabajo mejor y con menos riesgos de provocar lesiones si se utiliza al ritmo para el que ha sido diseñada.
- No se estire demasiado para alcanzar lugares de difícil acceso. Mantenga en todo momento un buen equilibrio y los pies firmemente apoyados en el suelo.
- Manténgase alerta y preste atención a lo que hace. Utilice su sentido común. No utilice el cortabordes si está cansado.
- No utilice el cortabordes si se encuentra bajo los efectos de alcohol o drogas.
- Asegúrese siempre de utilizar la herramienta con todas sus guardas de protección correctamente instaladas y en buen estado.
- Almacene el cortabordes en interiores. Cuando no lo esté utilizando, retire el acumulador y almacene la herramienta en un lugar seco y lo suficientemente alto o bajo llave, fuera del alcance de niños.
- Efectúe el mantenimiento que sea necesario en su cortabordes. Mantenga el cabezal de hilo de corte limpio a fin de garantizar un funcionamiento más eficaz y seguro, así como para reducir cualquier riesgo de lesiones. Siga las instrucciones correspondientes a la hora de cambiar accesorios. Mantenga las empuñaduras de la herramienta secas, limpias y libres de aceite y grasa.

- Compruebe la posible existencia de piezas dañadas. Antes de seguir utilizando el cortabordes, deberá examinarse detenidamente cualquier guarda de protección o pieza dañada a fin de determinar si se encuentra en perfectas condiciones de funcionamiento y si pueden permitir efectuar el trabajo previsto sin que resulte peligroso. Compruebe la alineación de las piezas móviles y asegúrese de que se desplazan libremente sin trabarse. Verifique también que no haya piezas o soportes rotos ni ninguna otra condición pudiera afectar al funcionamiento de la herramienta. A menos que se indique lo contrario en este manual, si una guarda de protección u otra pieza está dañada, deberá repararla o sustituirla un servicio técnico autorizado.
- Antes de cada uso, despeje la zona de trabajo. Quite todos los objetos como piedras, vidrios rotos, clavos, alambres, cables o cuerdas, ya que podrían salir despedidos por la acción de la herramienta o enredarse en el elemento de corte. Asegúrese de mantener a personas y animales domésticos a una distancia prudente de al menos 15 metros de la zona donde se esté utilizando la herramienta.
- Examine la herramienta antes de cada utilización o tras haber golpeado algún objeto por si presentase indicios de desgaste o daños. De ser así, lleve a cabo las reparaciones que sean necesarias.
- Sujete siempre el cortabordes firmemente por sus empuñaduras con ambas manos mientras lo utiliza. Sus pulgares y dedos deberán siempre rodear totalmente las empuñaduras de la herramienta.
- Evite cualquier activación fortuita de la herramienta. Nunca transporte el cortabordes con su dedo apoyado en el gatillo interruptor.
- No utilice el cortabordes en presencia de combustibles tales como gasolina ni en entornos explosivos. Los motores de estas herramientas suelen generar chispas que podrían actuar como detonante de vapores inflamables.
- No toque las piezas móviles peligrosas antes de apagar la máquina (o de quitar las baterías de la máquina) y de que las piezas móviles peligrosas se hayan parado completamente.
- Daños en el cortabordes. En caso de golpear algún objeto extraño con el cortabordes o si algún objeto se enreda en el cabezal, apague inmediatamente la herramienta, retire el acumulador, examine la posible existencia de daños y lleve a cabo las reparaciones que sean necesarias antes de volver a utilizar la herramienta. No utilice la herramienta si su guarda de protección o carrete de hilo están dañados o rotos.
- De observarse vibraciones anormales en el cortabordes, apague el motor, retire el acumulador e investigue inmediatamente la causa. Las vibraciones suelen ser indicativo de alguna anomalía. Un cabezal suelto podría provocar vibraciones, agrietarse, romperse o salir despedido del cortabordes, pudiendo causar lesiones graves o incluso mortales. Asegúrese de que el accesorio de corte está correctamente sujeto en su sitio. Si el cabezal se suelta tras haberlo fijado en su sitio, sustitúyalo inmediatamente por otro nuevo. Nunca utilice un cortabordes con un accesorio de corte suelto.
- Sustituya inmediatamente cualquier cabezal de corte que esté agrietado, dañado o desgastado, incluso si el daño observado parece limitarse a grietas superficiales. Un accesorio de corte en esas condiciones podría romperse en pedazos al funcionar a altas revoluciones y provocar lesiones graves o incluso mortales.
- Compruebe el accesorio de corte con bastante frecuencia mientras utiliza la herramienta o inmediatamente si observa cualquier cambio notable en la eficacia de corte.
- Utilice únicamente cabezales e hilo de corte de polímero homologados por EGO™ y diseñados para su uso con este tipo de cortabordes. Si bien existe la posibilidad de instalar en sus cortabordes EGO™ ciertos accesorios no aprobados por el fabricante, su utilización podría ser extremadamente peligrosa y perjudicial para la herramienta.
- Para reducir en lo posible el riesgo de sufrir lesiones graves, nunca utilice carretes de alambre, hilo metálico reforzado u otro material en lugar de hilo de corte de nailon. Los hilos de alambre podrían romperse y salir despedidos a alta velocidad, pudiendo causar lesiones graves tanto al usuario como a aquellas personas presentes en la zona de trabajo.
- Para reducir el riesgo de lesiones debido a una posible pérdida de control, nunca utilice la herramienta subido en una escalera ni ningún otro soporte poco estable o inseguro. Nunca eleve el accesorio de corte por encima de su cintura.
- De darse alguna situación que no estuviera cubierta en este manual, asegúrese de actuar con cuidado y buen juicio. Póngase en contacto con el departamento de atención al cliente de EGO en caso de que necesite asistencia al respecto.
- No recargue el acumulador bajo la lluvia ni en entornos excesivamente húmedos.

- Utilice únicamente los modelos de acumuladores y cargadores indicados a continuación:

ACUMULADOR	CARGADOR
BA1120E, BA2240E, BA2800, BA3360, BA4200	CH5500E, CH2100E

- Deberá retirarse el acumulador de la herramienta antes de proceder a su eliminación.
- El acumulador deberá eliminarse de manera segura.
- No elimine el acumulador arrojándolo al fuego. Sus celdas podrían explotar. Consulte la normativa local referente a los procedimientos de eliminación especiales previstos a tal efecto.
- No desarme ni dañe en modo alguno el acumulador. El electrolito que podría liberarse es corrosivo y podría provocar lesiones oculares o cutáneas. Asimismo, podría ser tóxico si se ingiere.
- Tome las precauciones adecuadas al manipular los acumuladores a fin de no provocar cortocircuitos con materiales conductores, tales como anillos, pulseras y llaves. Cualquier cortocircuito podría provocar el sobrecalentamiento del acumulador o material conductor, con el consiguiente riesgo de sufrir quemaduras.
- Cuando efectúe reparaciones en la herramienta, utilice únicamente piezas originales EGO™ idénticas a las instaladas de fábrica. El uso de accesorios o piezas diferentes a los recomendados en este manual aumentará el riesgo de sufrir lesiones físicas.
- Las herramientas que funcionan a batería no requieren enchufarse en una toma de corriente. Por lo tanto, siempre están listas para funcionar. Sea consciente de los posibles peligros implicados, incluso cuando la herramienta no está funcionando. Preste especial atención al efectuar reparaciones u operaciones de mantenimiento en la herramienta.
- No limpie la herramienta utilizando una manguera. Evite que penetre agua en el motor o en las conexiones eléctricas.
- Conserve estas instrucciones. Consúltelas con frecuencia y utilícelas para instruir a aquellas otras personas que vayan a usar esta herramienta. En caso de prestar esta herramienta a terceros, proporciónelas también estas instrucciones a fin de evitar su uso incorrecto y posibles riesgos de lesiones.
- Lleve siempre calzado robusto y pantalones largos cuando utilice la herramienta.
- Asegúrese siempre de tener los pies firmemente apoyados cuando utilice la herramienta en pendientes. Desplácese despacio, nunca corra.

CONSERVE ESTAS INSTRUCCIONES EN UN LUGAR SEGURO!

ESPECIFICACIONES

Tensión	56 V $\overline{\text{---}}$	
Velocidad en vacío	5200-6500 /min	
Sistema de corte	Cabezal de impacto	
Tipo de hilo de corte	AL0802 2.0mm Línea de nylon del giro	
Anchura de corte	33 cm	
Peso (sin acumulador)	2,76 kg	
Nivel de potencia acústica ponderado (L_{wa}) (medido según 2000/14/CE)	89,25 dB(A) K=2,5 dB(A)	
Máximo nivel de presión acústica medido a la altura del oído del usuario (L_{pa})	75,2 dB(A) K=2,5 dB(A)	
Nivel de potencia acústica garantizado L_{wa}	93 dB(A)	
Valuation of vibration a_h	Front-assist Handle	2,134 m/s ² K=1,5 m/s ²
	Rear Handle	1,231 m/s ² K=1,5 m/s ²

- El nivel total de vibraciones especificado ha sido medido conforme al método de prueba estándar empleado en la industria y puede utilizarse para efectuar comparaciones entre herramientas.
- Asimismo, el nivel total de vibraciones declarado podrá utilizarse para efectuar una evaluación preliminar de la exposición del usuario a los niveles de vibración generados por la herramienta.

AVISO: Las vibraciones generadas durante el uso real de la herramienta eléctrica podrán diferir del valor declarado en función de la manera en que se utilice. A modo de protección, el usuario deberá utilizar guantes y protectores auditivos en condiciones reales de uso.

LISTA DE EMBALAJE

DENOMINACIÓN DE PIEZA	CANTIDAD
Cortabordes con cabezal de hilo	1
Guarda de protección	1
Conjunto de empuñadura auxiliar delantera	1
Llave hexagonal	1
Manual de instrucciones	1

DESCRIPCIÓN

FAMILIARÍCESE CON SU CORTABORDES CON CABEZAL DE HILO (Fig. A)

1. Gatillo interruptor
2. Empuñadura trasera
3. Palanca de desbloqueo
4. Conmutador de ajuste de la velocidad
5. Funda blanda
6. Empuñadura auxiliar delantera ajustable
7. Cabezal de impacto (cabezal de corte)
8. Botón de extracción del hilo de corte
9. Cuchilla de recorte del hilo
10. Guarda de protección
11. Mecanismo de expulsión
12. Contactos eléctricos
13. Seguro
14. Botón de liberación del acumulador

CONJUNTO

⚠ ADVERTENCIA: Si alguna pieza falta o está rota, no utilice el producto hasta haber sustituido las piezas rotas o instalado las que faltan. Podrían producirse lesiones físicas graves en caso de utilizar el producto si alguna de sus piezas falta o está dañada.

⚠ ADVERTENCIA: No intente modificar esta herramienta en modo alguno ni fabricar accesorios no recomendados para su uso en este cortabordes con cabezal de hilo. Cualquier alteración o modificación se considerará uso indebido y podría provocar una situación peligrosa con riesgo de sufrir lesiones graves.

⚠ ADVERTENCIA: Para evitar cualquier puesta en marcha accidental que pudiera causar lesiones físicas graves, asegúrese siempre de retirar el acumulador de la herramienta antes de proceder al montaje de cualquier pieza.

MONTAJE DE LA GUARDA DE PROTECCIÓN

⚠ ADVERTENCIA: Utilice siempre guantes al instalar o sustituir la guarda de protección. Tenga cuidado con la cuchilla instalada en la guarda y proteja adecuadamente sus manos para evitar cortarse.

⚠ ADVERTENCIA: Nunca utilice la herramienta sin su guarda de protección instalada y firmemente sujeta en su sitio. ¡La guarda deberá estar siempre instalada en la herramienta a fin de ofrecer protección al usuario! Una vez fijada en su sitio, nunca intente retirar ni ajustar la guarda de protección. Si por cualquier motivo fuera necesaria su sustitución, dicha operación deberá efectuarla personal técnico cualificado.

Afloje y quite los dos tornillos de combinación de la base del tubo (fig. B). Alinee los orificios de montaje de la guarda de protección con los orificios de montaje, y a continuación bloquee la guarda de protección sobre el tubo con los dos tornillos. Asegúrese de que la guarda esté fijada tal como se muestra en las fig. B y C. ¡Si se fija de forma inversa provocará una situación de peligro grave!

MONTAJE Y AJUSTE DE LA EMPUÑADURA AUXILIAR DELANTERA

Empuje la empuñadura auxiliar delantera para introducirla sobre el tubo (fig. E); a continuación, inserte el bloque de fijación en la ranura de la empuñadura (fig. F), monte el tornillo de palanca y bloquéelos con la palometa (fig. G). El orden se muestra en la fig. D. Por último, ajuste la posición de la empuñadura auxiliar delantera de modo que su brazo delantero esté estirado cuando use el cortabordes (fig. H) y, a continuación, bloquee la palanca del tornillo de palanca (fig. I).

Fig. D e H, ver abajo la descripción de las piezas:

D-1	Empuñadura auxiliar delantera	D-4	Palometa
D-2	Tornillo de palanca	H-1	Funda blanda
D-3	Bloque de fijación	H-2	Rótulo de advertencia

AVISO: La empuñadura auxiliar delantera debe girarse hacia arriba para que indique hacia la parte superior de la empuñadura.

⚠ ADVERTENCIA: Fije únicamente la empuñadura auxiliar por delante de la zona del tubo que incorpora una funda blanda.

⚠ ADVERTENCIA: a herramienta no se puede usar si la empuñadura auxiliar delantera no está sujeta de forma fiable.

UTILIZACIÓN

⚠ ADVERTENCIA: No permita que la confianza que supone el hecho de estar familiarizado con el producto dé lugar a descuidos. Recuerde que cualquier distracción de una fracción de segundos es suficiente para sufrir o provocar lesiones graves.

⚠ ADVERTENCIA: Utilice siempre gafas de seguridad con pantallas de protección lateral, así como protección auditiva. De lo contrario, los objetos despedidos por la acción de la herramienta podrían alcanzar sus ojos y provocar lesiones graves oculares o de otro tipo.

⚠ ADVERTENCIA: No utilice piezas o accesorios que no hayan sido recomendados por el fabricante de este producto. La utilización de piezas o accesorios no recomendados por el fabricante podría resultar en lesiones físicas graves.

⚠ ADVERTENCIA: Utilice su cortabordes con su cabezal equipado con un carrete cuyo hilo sea del tipo adecuado y únicamente para cortar hierba y material similar.

Este producto podrá utilizarse para los propósitos indicados a continuación:

Recorte: se usa para quitar hierba y malas hierbas junto a paredes, vallas, árboles y bordes.

Corte: se usa para cortar la hierba difícil de alcanzar con un cortacésped normal.

AVISO: La herramienta debe utilizarse únicamente para el fin previsto. Cualquier otro uso, por ejemplo el corte de setos, se considerará uso indebido.

CONEXIÓN/DESCONEXIÓN DEL ACUMULADOR

Recargue totalmente el acumulador antes de usarlo.

Conexión

Alinee las nervaduras del acumulador con las ranuras de montaje, e introduzca el acumulador presionándolo hacia abajo hasta oír un “clic”. (Fig. J)

Desconexión

Pulse el botón de liberación del acumulador y saque el acumulador como se muestra en la fig. K.

CÓMO SOSTENER EL CORTABORDES CON CABEZAL DE HILO AL CORTAR LA HIERBA

⚠ ADVERTENCIA: Utilice ropa adecuada cuando trabaje con esta herramienta para reducir el riesgo de lesiones. No lleve puesta ropa holgada ni joyas. Utilice protección ocular y auditiva. Utilice pantalones largos, botas y guantes resistentes. No utilice pantalones cortos, sandalias, ni vaya descalzo.

Antes de ponerlo en marcha, sujete el cortabordes con las dos manos, una en la empuñadura trasera y la otra en la empuñadura auxiliar delantera, que deberá estar extendida (fig. L). A continuación, compruebe que tiene los pies en equilibrio y mantenga una distancia de corte adecuada, sin tener que inclinarse.

PUESTA EN MARCHA/PARADA DEL CORTABORDES CON CABEZAL DE HILO

Puesta en marcha

Empuje hacia abajo la palanca de desbloqueo y manténgala en dicha posición. Apriete el gatillo interruptor para poner en marcha el cortabordes con cabezal de hilo como se muestra en la fig. M.

Parada

Suelte la palanca de desbloqueo y el gatillo.

AVISO: El motor tiene dos velocidades de corte, la posición “1” para la velocidad baja y la posición “2” para la velocidad alta, como se muestra en la fig. M. Apriete el conmutador de ajuste de la velocidad a la posición adecuada durante el corte.

Fig. M, ver abajo la descripción de las piezas:

M-1	Posición 1
M-2	Posición 2

⚠ ADVERTENCIA: Asegúrese siempre de retirar el acumulador del cortabordes con cabezal de hilo durante cualquier pausa que haga durante el trabajo, así como una vez finalizada la tarea.

UTILIZACIÓN DEL CORTABORDES CON CABEZAL DE HILO

⚠ ADVERTENCIA: Para evitar sufrir lesiones físicas graves, asegúrese de utilizar gafas de seguridad o con cristales anti-impacto siempre que se sirva de esta herramienta. Asimismo, utilice mascarilla antipolvo o protección respiratoria si se sirve de la herramienta en entornos polvorientos.

Antes de cada uso, despeje la zona de trabajo. Quite todos los objetos como piedras, vidrios rotos, clavos, alambres, cables o cuerdas, ya que podrían salir despedidos por la acción de la herramienta o enredarse en el elemento de corte. Mantenga a los niños, las mascotas y otras personas fuera de la zona de trabajo. Mantenga a los niños y otras personas, así como a las mascotas, a una distancia mínima de 15m de la zona donde se esté utilizando la herramienta, ya que existe riesgo de que salgan objetos despedidos. Se recomienda que cualquier persona presente en la zona de trabajo utilice protección ocular. Apague inmediatamente el motor o desactive el dispositivo de corte si cualquiera se le acerca.

Antes de cada utilización, examine la herramienta para determinar la posible existencia de piezas dañadas o desgastadas.

Examine el cabezal de impacto, la guarda de protección y empuñadura auxiliar delantera. Sustituya cualquier pieza que esté agrietada, deformada, doblada o presente cualquier tipo de daño.

Con el tiempo, el filo de la cuchilla de recorte de hilo situada en el borde de la guarda de protección puede llegar a embotarse. Se recomienda afilarla con una lima a intervalos periódicos o sustituirla por otra nueva.

⚠ ADVERTENCIA: Utilice siempre guantes al instalar la guarda de protección, así como al afilar o sustituir la cuchilla. Tenga cuidado con la cuchilla instalada en la guarda y proteja adecuadamente sus manos para evitar cortarse.

Asegúrese de limpiar el cortabordes después de cada utilización.

⚠ PRECAUCIÓN: Cualquier obstrucción de los orificios de ventilación impedirá la correcta circulación de aire por el interior de la carcasa del motor, pudiendo hacer que este se sobrecaliente o sufra daños.

- Use solo jabón suave y un paño húmedo para limpiar la herramienta. No deje nunca que entre líquido en la herramienta ni sumerja ninguna parte de la herramienta en ningún líquido.
- Mantenga en todo momento los orificios de ventilación de la carcasa del motor y el tubo libres de residuos

⚠ ADVERTENCIA: Nunca utilice agua para limpiar su herramienta. Evite utilizar disolventes para limpiar los elementos plásticos del producto. La mayoría de las piezas de plástico utilizadas son susceptibles de sufrir daños si se limpian con algunos de los tipos de disolventes de uso industrial disponibles en el mercado. Utilice paños limpios para eliminar la suciedad y los residuos de polvo, aceite, grasa, etc.

CÓMO AJUSTAR LA LONGITUD DEL HILO DE CORTE

El cabezal de impacto permite al usuario ir extrayendo más hilo de corte del carrete sin tener que detener el motor de la herramienta. Debido a que el hilo termina deshiliándose o desgastándose, podrá ir extrayéndose la longitud necesaria golpeando levemente el botón de extracción del hilo de corte sobre el suelo mientras se utiliza el cortabordes (fig. N).

AVISO: La extracción del hilo de corte se hará más difícil a medida que se hace más corto o va quedando menos cantidad en el carrete.

⚠ ADVERTENCIA: No retire ni modifique en modo alguno la cuchilla de recorte del hilo presente en la guarda de protección. Una longitud excesiva de hilo de corte hará que el motor se sobrecaliente y podría dar lugar a lesiones físicas graves.

SUSTITUCIÓN DEL HILO DE CORTE

⚠ ADVERTENCIA: Nunca utilice carretes de alambre, hilo metálico reforzado, cuerda, etc., ya que estos podrían romperse y sus trozos convertirse en proyectiles peligrosos.

Existen dos métodos posibles para sustituir el hilo de corte:

1. Rebobinando el carrete original con nuevo hilo de corte.
2. Instalando un nuevo carrete ya rebobinado (AS1300, AS1301, AS1302, en caso necesario, disponible en el comercio).

Cómo rebobinar el carrete original con nuevo hilo de corte.

Presione las dos lengüetas de liberación situadas en la base del carrete y tire del cartucho del carrete (fig. O). Saque aproximadamente 7m de hilo de corte nuevo. Dóblelo y enróllelo en el carrete como se muestra en las fig. P y Q. A continuación, coloque los extremos del hilo a través de las dos hendiduras opuestas del carrete (fig. R) y ponga el carrete en su cartucho con las hendiduras alineadas con los ojales del cartucho (fig. T). Por último, alinee las ranuras del cartucho con las lengüetas de la base del carrete y presione el cartucho hacia abajo uniformemente, asegurándose de que engancha en su lugar (fig. S).

AVISO: Limpie siempre el cartucho del carrete, así como el propio carrete y su base antes de volver a ensamblar el cabezal del cortabordes. Examine el carrete, su cartucho y la base por si presentaran desgaste. De ser necesario, sustituya los elementos desgastados.

AVISO: Si no enrolla el hilo de corte en la dirección indicada, el cabezal del cortabordes no funcionará de la manera adecuada.

Instalación de un nuevo carrete ya rebobinado

Presione las dos lengüetas de liberación situadas en la base del carrete y tire del cartucho del carrete (fig. O). A continuación, coloque en el cartucho un carrete ya rebobinado, con las hendiduras alineadas con los ojales del cartucho (fig. T). Por último, alinee las ranuras del cartucho con las lengüetas de la base del carrete y presione el cartucho hacia abajo uniformemente, asegurándose de que engancha en su lugar (fig. S).

Fig. S y T, ver abajo la descripción de las piezas:

S-1	Lengüeta	T-1	Hendidura
S-2	Ranura	T-2	Ojal

AVISO: Asegúrese de que las lengüetas de la base del carrete han encajado correctamente en su sitio, ya que, de lo contrario, el carrete se soltará del cabezal durante la utilización del cortabordes.

ES

MANTENIMIENTO

⚠ ADVERTENCIA: Cuando efectúe reparaciones en la herramienta, utilice únicamente piezas idénticas a las originales. Examine la herramienta a intervalos periódicos y lleve a cabo las operaciones de mantenimiento que sean necesarias. Para garantizar la seguridad y fiabilidad del producto, confíe cualquier reparación que sea necesaria a personal técnico cualificado.

⚠ ADVERTENCIA: Las herramientas que funcionan a batería no requieren enchufarse en una toma de corriente. Por lo tanto, siempre están listas para funcionar. A fin de evitar sufrir posibles lesiones físicas graves, extreme las precauciones y proceda con cuidado al efectuar cualquier operación de mantenimiento, reparación o sustitución del elemento de corte o de otros accesorios de la herramienta.

⚠ ADVERTENCIA: A fin de evitar en lo posible sufrir lesiones físicas graves, asegúrese siempre de retirar el acumulador de la herramienta antes de proceder a efectuar cualquier reparación, limpieza, sustitución de accesorios y elementos de corte, así como de retirar acumulaciones de material cortado.

LIMPIEZA DE LA HERRAMIENTA

- Limpie la herramienta utilizando un paño húmedo y una pequeña cantidad de detergente suave.
- No utilice detergentes fuertes en la carcasa de plástico o en la empuñadura. Ciertos aceites aromáticos, como aquellos a base de limón o resina de pino y disolventes como queroseno, podrían dañar estas piezas. La humedad puede también contribuir al riesgo de sufrir descargas eléctricas. Utilice un paño suave y seco para eliminar cualquier resto de humedad.
- Utilice un cepillo pequeño o el accesorio tipo cepillo de una aspiradora para limpiar las obstrucciones de los orificios de ventilación de la carcasa trasera .

ALMACENAMIENTO DE LA HERRAMIENTA

- Retire el acumulador de su cortabordes con cabezal de hilo cuando no lo esté utilizando.
- Limpie minuciosamente la herramienta antes de proceder a su almacenamiento.
- Almacene la herramienta en un lugar seco y bien ventilado, ya sea cerrado o a una altura suficiente que impida que los niños puedan alcanzarla. No la guarde encima ni cerca de fertilizantes, gasolina u otros productos químicos.

Protección del medio ambiente

No elimine aparatos eléctricos, cargadores de baterías, acumuladores recargables o baterías junto con los desperdicios domésticos!

Tanto la Directiva europea 2012/19/UE sobre la eliminación de aparatos eléctricos y electrónicos inservibles como la Directiva europea 2006/66/CE sobre la eliminación de baterías o acumuladores defectuosos o agotados estipulan que dichos elementos deben ser objeto de una recogida selectiva.

Si los aparatos eléctricos acabaran tirándose a vertederos o basureros, podrían desprender sustancias perjudiciales que llegarían a contaminar las capas freáticas y entrar en la cadena alimenticia, con el consecuente peligro para la salud y calidad de vida humana.

DECLARACIÓN DE CONFORMIDAD CE 

Nosotros, CHERVON EUROPE LTD.

47 CASTLE STREET, READING, RG1 7SR, UNITED KINGDOM

Declaramos que el producto cortabordes inalámbrico con cabezal de hilo y acumulador **de ion de litio de 56 V ST1300E** cumple los requisitos esenciales sobre salud y seguridad de las directivas siguientes:

2006/42/CE, 2014/30/UE, 2011/65/UE, 2000/14/CE

Normas y especificaciones técnicas consultadas:

EN 60335-1, EN 50636-2-91, EN ISO 11806-1, EN ISO 12100, EN 62233, EN 55014-1, EN 55014-2

Nivel de potencia acústica ponderado: 89,25 dB(A).

Nivel de potencia acústica garantizado: 93 dB(A).

Peter Melrose

Vicepresidente de Chervon Europa

Dong Jianxun

Director de calidad de Chervon

* (representante autorizado de CHERVON y responsable de la documentación técnica)

01/04/2016

ES

RESOLUCIÓN DE PROBLEMAS

ES

ANOMALÍA	CAUSA	SOLUCIÓN
El cortabordes con cabezal de hilo no se pone en marcha	<ul style="list-style-type: none"> ■ El acumulador no está correctamente insertado en el cortabordes. ■ No hay contacto eléctrico entre el acumulador y el cortabordes. ■ El acumulador está agotado. ■ No ha presionado simultáneamente la palanca de desbloqueo y el gatillo interruptor. 	<ul style="list-style-type: none"> ■ Inserte correctamente el acumulador en el cortabordes. ■ Retire el acumulador, compruebe los contactos eléctricos y vuelva a instalar el acumulador en su sitio. ■ Recargue el acumulador. ■ Mantenga presionada hacia abajo la palanca de desbloqueo y apriete el gatillo interruptor para poner en marcha su cortabordes.
El cortabordes con cabezal de hilo deja de funcionar durante su uso.	<ul style="list-style-type: none"> ■ La guarda de protección no está instalada en el cortabordes, haciendo que el hilo de corte quede extraído a una longitud excesiva y el motor se sobrecargue. ■ Se está utilizando un hilo de corte demasiado grueso. ■ Hay una acumulación excesiva de hierba en el eje del motor o cabezal del cortabordes. ■ El motor se ha sobrecargado. ■ El acumulador o el circuito del cortabordes se han sobrecalentado. ■ El acumulador se ha desconectado de la herramienta. ■ El acumulador está agotado. 	<ul style="list-style-type: none"> ■ Retire el acumulador e instale la guarda de protección en el cortabordes. ■ Utilice únicamente hilo de corte de nailon con un diámetro máximo de 2,0mm. ■ Apague el cortabordes, retire el acumulador y, a continuación, elimine cualquier acumulación de hierba presente en el eje del motor o cabezal del cortabordes. ■ Aparte el cabezal del cortabordes de la hierba. El motor se recuperará y volverá a funcionar normalmente tan pronto como se haya aliviado la carga. Al cortar la hierba, desplace el cabezal del cortabordes por esta siguiendo un movimiento de vaivén y procurando cortar una longitud máxima de 20cm en cada pasada. ■ Espere a que el acumulador o el cortabordes se hayan enfriado lo suficiente hasta que su temperatura sea inferior a 67°C. ■ Vuelva a instalar en su sitio el acumulador. ■ Recargue el acumulador.

ANOMALÍA	CAUSA	SOLUCIÓN
<p>El hilo de corte no se extrae automáticamente del cabezal del cortabordes.</p>	<ul style="list-style-type: none"> ■ Hay una acumulación excesiva de hierba en el eje del motor o cabezal del cortabordes. ■ No queda suficiente longitud del hilo de corte en el carrete. ■ El cabezal del cortabordes está sucio. ■ El hilo de corte está enredado en el interior del carrete. ■ El hilo de corte es demasiado corto. 	<ul style="list-style-type: none"> ■ Apague el cortabordes, retire el acumulador y, a continuación, elimine cualquier acumulación de hierba presente en el eje del motor o cabezal del cortabordes. ■ Retire el acumulador y sustituya el hilo de corte. Consulte el apartado titulado "SUSTITUCIÓN DEL HILO DE CORTE" que se incluye en este manual. ■ Retire el acumulador y limpie el carrete, su cartucho y la base. ■ Retire el acumulador, retire el hilo de corte del carrete y vuelva a enrollarlo correctamente. Consulte el apartado titulado "SUSTITUCIÓN DEL HILO DE CORTE" que se incluye en este manual. ■ Retire el acumulador y tire de los extremos del hilo de corte mientras presiona y suelta reiteradamente el botón de extracción del hilo de corte.
<p>La hierba se enreda alrededor del cabezal y de la carcasa del motor.</p>	<ul style="list-style-type: none"> ■ Está cortando a nivel del suelo hierba que está demasiado alta. 	<ul style="list-style-type: none"> ■ Corte la hierba alta de arriba hacia abajo, cortando un máximo de 20cm en cada pasada para así evitar que se enrede en la herramienta.
<p>El hilo de corte no corta como es debido.</p>	<ul style="list-style-type: none"> ■ El filo de la cuchilla de recorte de hilo situada en la guarda de protección está embotado. 	<ul style="list-style-type: none"> ■ Afile la cuchilla de recorte del hilo utilizando una lima, o bien sustitúyala por una cuchilla nueva.

GARANTÍA

POLITICA DE GARANTÍA EGO

Por favor visite nuestra página web egopowerplus.com para los terminos y las condiciones completas de la política de garantía EGO.

LEIA TODAS AS INSTRUÇÕES!



LEIA E COMPREENDA O MANUAL DE INSTRUÇÕES

⚠ Risco residual! As pessoas com dispositivos eletrônicos, como pacemakers, deverão consultar o seu médico antes de utilizarem este produto. A utilização de equipamento elétrico perto de um pacemaker pode causar interferências ou falhas no pacemaker.

⚠ AVISO: Para assegurar a segurança e bom funcionamento, todas as reparações e substituições deverão ser efetuadas por um técnico de reparação qualificado.

SÍMBOLOS DE SEGURANÇA

O objetivo dos símbolos de segurança é chamar a atenção para possíveis perigos. Os símbolos de segurança e as respectivas explicações apresentadas requerem a sua atenção e compreensão. Os avisos de segurança, só por si, não eliminam o perigo. As instruções e avisos dados não são substitutos para medidas de prevenção adequadas a acidentes.

⚠ AVISO: Certifique-se de que lê e compreende todas as instruções de segurança neste manual do utilizador, incluindo todos os símbolos de alerta de segurança, como **“PERIGO”, “AVISO”, e “CUIDADO”** antes de utilizar esta ferramenta. Não seguir todas as instruções apresentadas abaixo pode resultar em choque elétrico, incêndio e/ou lesões graves.

SIGNIFICADO DOS SÍMBOLOS

SÍMBOLO DE ALERTA DE SEGURANÇA: Indica PERIGO, AVISO ou CUIDADO. Pode ser usado juntamente com outros símbolos ou imagens.



⚠ AVISO: O funcionamento de qualquer ferramenta elétrica pode dar origem ao ressalto de quaisquer objetos estranhos que podem atingir os olhos, podendo dar origem a sérias lesões oculares. Antes de começar a utilizar a ferramenta elétrica, utilize sempre óculos de segurança com proteções laterais e uma proteção completa para o rosto, quando necessário. Recomendamos a utilização de máscaras de segurança com visão

panorâmica por cima dos óculos ou óculos de segurança padrão com proteção lateral.

INSTRUÇÕES DE SEGURANÇA

Esta página retrata e descreve os símbolos de segurança que podem aparecer neste produto. Leia, compreenda e siga todas as instruções na máquina antes de a tentar montar e utilizar.

	Alerta de segurança	Precauções que envolvam a sua segurança.
	Leia o manual do utilizador	Para reduzir o risco de lesões, o utilizador tem de ler e compreender o manual do utilizador antes de utilizar este produto.
	Utilize proteção ocular	Utilize sempre óculos de segurança com proteção lateral e, se necessário, uma proteção completa do rosto, quando utilizar este produto.
	Utilize proteção auditiva	Utilize sempre proteção auditiva ao utilizar este produto.
	Diâmetro do fio	O diâmetro do fio de corte de nylon
	Largura de corte	A largura máx. de corte do aparador de fio
	Nenhuma lâmina de corte	Não instale a lâmina de corte de metal ou plástico
	Não exponha à chuva	Não utilizar à chuva ou deixar no exterior enquanto chove.
	Mantenha terceiros afastados	Certifique-se de que outras pessoas e animais permanecem a, pelo menos, 15 metros do aparador de fio durante a utilização.
	Mantenha terceiros afastados	Certifique-se de que outras pessoas e animais permanecem a, pelo menos, 15 metros do aparador de fio durante a utilização.
V	Volts	Tensão
A	Amperes	Corrente
Hz	Hertz	Frequência (ciclos por segundo)
W	Watt	Potência

min	Minutos	Tempo
~	Corrente alternada	Tipo de corrente
≡	Corrente direta	Tipo ou característica da corrente
n_0	Velocidade sem carga	Velocidade de rotação, sem carga
.../min	Por minuto	Rotações por minuto

INSTRUÇÕES DE SEGURANÇA IMPORTANTES

⚠️ AVISO: Quando se utilizarem aparadores de fio, devem adotar-se sempre medidas de segurança básicas para reduzir o risco de incêndio, de descargas elétricas e de lesões pessoais, incluindo o seguinte:

LEIA ATENTAMENTE ANTES DE UTILIZAR

GUARDE PARA FUTURA REFERÊNCIA

⚠️ PERIGO: Não confie apenas no isolamento da ferramenta contra choques elétricos. Para reduzir o risco de eletrocussão, nunca utilize o aparelho perto de quaisquer fios ou cabos (eletricidade, etc.) que possam transportar corrente elétrica.

⚠️ CUIDADO: Utilize equipamento de proteção auditiva adequada durante a utilização. Em algumas condições e durações de utilização, o ruído proveniente deste produto pode contribuir para a perda de audição.

TREINO

- Leia estas instruções com atenção. Familiarize-se com todos os controles e com a utilização correcta da máquina.
- Nunca permita que pessoas que não estejam familiarizadas com as instruções ou crianças utilizem o aparelho. Os regulamentos locais podem restringir a idade do utilizador.
- Tenha em conta que o operador ou utilizador é o responsável por acidentes ou perigos que ocorram a outras pessoas ou à sua propriedade.

PREPARAÇÃO

- Nunca utilize o aparelho com pessoas, especialmente crianças ou animais por perto.
- Utilize sempre proteção ocular e calçado resistente enquanto utiliza a máquina.
- A distância entre a máquina e terceiros deve ser de pelo menos 15m.

- Não utilize lâminas metálicas

FUNCIONAMENTO

- Us e a máquina apenas à luz do dia ou com boa luz artificial.
- Nunca utilize a máquina com proteções danificadas ou sem as proteções montadas.
- Ligue o motor apenas quando as mãos e pés estiverem afastados de meios de corte.
- Desligue sempre a máquina da alimentação (retire a ficha da tomada ou retire o dispositivo de desativação).
 - Sempre que deixa a máquina sem supervisão;
 - Antes de eliminar um bloqueio;
 - Antes de verificar, limpar ou trabalhar na máquina;
 - Após bater num objeto estranho;
 - Sempre que a máquina começa a vibrar anormalmente.
- Tenha cuidado para não se magoar nos pés nem nas mãos durante o corte.
- Certifique-se sempre de que as aberturas de ventilação são mantidas isentas de resíduos.

MANUTENÇÃO E ARMAZENAMENTO

- Desligue a máquina da alimentação (retire a ficha da tomada ou retire o dispositivo de desativação) antes de efetuar quaisquer trabalhos de manutenção ou de limpeza.
- Utilize apenas peças sobressalentes e acessórios recomendados pelo fabricante.
- Inspeccione e efetue a manutenção da máquina com regularidade. A máquina apenas deve ser reparada por um reparador autorizado.
- Quando não em uso, armazene a máquina fora do alcance das crianças.

AVISOS ADICIONAIS DE SEGURANÇA

- Evite ambientes perigosos. Não utilize o aparador em locais húmidos ou molhados.
- Desligue sempre o aparador de fio ou retire a bateria sempre que deixar o aparador sem supervisão.
- Não utilize à chuva.
- Mantenha as crianças afastadas. Todas as pessoas deverão ser mantidas afastadas da área de trabalho.
- Vista-se adequadamente. Não utilize roupa larga ou joias. Estas podem ficar presas em peças móveis. A utilização de luvas de borracha e calçado resistente é recomendada para trabalhos no exterior. Utilize uma proteção para segurar o cabelo comprido.

- Utilize óculos de segurança. Utilize sempre uma máscara ou máscara de pó se o funcionamento for poeirento.
- Utilize a ferramenta correta. Não utilize a ferramenta para outros trabalhos para além daqueles para que foi criada.
- Não force o aparador. Este fará um trabalho melhor e com menos probabilidades de lesões se for usado à taxa para que foi criado.
- Não se estique. Mantenha sempre a base e o equilíbrio adequados.
- Mantenha-se alerta e atento ao que está a fazer. Utilize o senso comum. Não utilize o aparador quando estiver cansado.
- Não utilize o aparador quando estiver sob a influência de álcool ou drogas.
- Mantenha as proteções no lugar e em bom estado de funcionamento.
- Armazene o aparador no interior. Quando não em uso, deverá guardá-lo no interior num local seco, alto ou trancado, com a bateria retirada e fora do alcance das crianças.
- Mantenha o aparador em bom estado. Mantenha o acessório de corte limpo para melhor desempenho e para reduzir o risco de lesões. Siga as instruções quanto à mudança de acessórios. Mantenha as pegas secas, limpas e sem óleo ou gordura.
- Verifique se existem peças danificadas. Antes de continuar a utilizar o aparador, uma proteção ou outra peça que esteja danificada deve ser cuidadosamente verificada, para determinar se irá funcionar adequadamente e desempenhar a sua suposta função. Verifique o alinhamento de peças móveis, ligação de peças móveis, fragmentação de peças, montagem e qualquer outra condição que possa afetar o seu funcionamento. Um protetor ou qualquer outra peça que esteja danificada deverá ser reparada adequadamente ou substituída por um centro de reparações autorizado, exceto se for indicado de outro modo neste manual de instruções.
- Limpe a área a cortar antes de cada utilização. Retire todos os objetos, como pedras, vidro partido, pregos, arames ou fios que possam ser atirados ou ficar presos no acessório de corte. Certifique-se de que outras pessoas e animais são mantidos a, pelo menos, 15 metros de distância.
- Antes de utilizar a máquina e após qualquer impacto, verifique quaisquer sinais de desgaste ou dano e repare, conforme necessário.
- Segure sempre o aparador firmemente com as duas mãos nas pegas durante a utilização. Enrole os dedos em redor das pegas.
- Para evitar um arranque accidental, nunca transporte o aparador com o dedo no gatilho.
- Não utilize o aparador em atmosferas explosivas ou com produtos petrolíferos. Os motores nestes aparelhos costumam criar faíscas e estas podem incendiar os vapores.
- Não toque nas peças móveis perigosas antes de desligar a máquina (nem retire a bateria da máquina) e de as peças móveis perigosas estarem totalmente paradas.
- Danos no aparador: se bater num objeto estranho com o aparador ou se este ficar emaranhado, pare imediatamente o aparelho, retire a bateria, verifique se existem danos e leve o aparelho para ser reparado antes de tentar voltar a utilizá-lo. Não utilize com uma proteção ou bobinas partidas.
- Se o aparelho começar a vibrar anormalmente, desligue o motor, retire a bateria do aparador de fio e verifique imediatamente as causas. A vibração é normalmente um aviso de problemas. Uma cabeça solta pode vibrar, rachar, partir ou soltar-se do aparador, o que pode dar origem a lesões sérias ou fatais. Certifique-se de que o acessório de corte está devidamente fixado na respetiva posição. Se a cabeça se soltar após fixá-la, substitua-a imediatamente. Nunca utilize um aparador com um acessório de corte solto.
- Substitua imediatamente uma cabeça de corte rachada, danificada ou gasta, mesmo que o dano esteja limitado a rachas superficiais. Tais acessórios podem despedaçar-se a alta velocidade e causar lesões sérias ou até mesmo fatais.
- Verifique regularmente o acessório de corte durante a utilização ou imediatamente após reparar alguma alteração no comportamento de corte.
- Utilize apenas linhas de polímero para aparadores autorizadas pela EGO™ e linhas para aparadores criadas para serem usadas com este aparelho. Apesar de alguns acessórios não autorizados poderem caber no aparador de fio da EGO™, eles podem ser extremamente perigosos e/ou danificar o aparelho.
- Para reduzir o risco de lesões sérias, nunca utilize fio de arame ou metal reforçado ou outro material em vez das linhas de corte de nylon. Os pedaços de arame podem partir-se e serem atirados a alta velocidade contra o operador ou terceiros.
- Para reduzir o risco de lesões devido à perda de controlo, nunca trabalhe em cima de uma escada ou outro suporte inseguro. Nunca segure o acessório de corte acima da altura da cintura.

- Se ocorrerem situações que não sejam abrangidas por este manual, tenha cuidado e faça uso do bom senso. Contacte o centro de reparação da EGO para obter assistência.
- Não carregue a bateria à chuva ou em condições húmidas.
- Utilize apenas com baterias e carregadores listados em baixo:

BATERIA	CARREGADOR
BA1120E, BA2240E, BA2800, BA3360, BA4200	CH5500E, CH2100E

- A bateria tem de ser retirada do equipamento antes de ser eliminada.
- A bateria tem de ser eliminada de modo seguro.
- Não atire a bateria para o fogo. As células podem explodir. Verifique as normas locais quanto a possíveis instruções especiais de eliminação.
- Não abra, nem altere a bateria. O eletrólito libertado é corrosivo e pode causar lesões nos olhos ou pele. Pode ser tóxico se engolido.
- Tenha muito cuidado ao manusear as baterias, de modo a não colocá-las em curto-circuito com materiais condutores, como anéis, pulseiras e chaves. A bateria ou o condutor podem sobreaquecer e causar queimaduras.
- Quando fizer reparações, utilize apenas peças sobressalentes idênticas da EGO™. A utilização de outros acessórios pode aumentar o risco de lesões.
- As ferramentas que funcionam a bateria não têm de ser ligadas a uma tomada elétrica; assim, estão sempre em estado de funcionamento. Tenha cuidado com possíveis perigos quando o aparelho não estiver a funcionar. Tenha cuidado quando efetuar a manutenção ou reparações.
- Não lave com uma mangueira. Evite que entre água no motor e nas ligações elétricas.
- Guarde estas instruções. Consulte com frequência e utilize estas instruções para instruir outras pessoas sobre a forma de utilizar este equipamento. Se emprestar este aparelho, entregue também as instruções, para evitar uma má utilização do produto e possíveis lesões.
- Ao utilizar o equipamento, utilize sempre calçado resistente e calças compridas.
- Garanta que possui sempre uma base para os pés equilibrada em locais inclinados e que caminha, nunca corra.

ESPECIFICAÇÕES

Voltagem	56 V ---	
Velocidade sem carga	5200-6500 /min	
Mecanismo de corte	Cabeça de choque	
Diâmetro da linha	AL0802 2.0mm Torção de linha de nylon	
Largura de corte	33 cm	
Peso (sem a bateria)	2,76 kg	
Nível de potência do som medido L_{WA}	89,25 dB(A) K=2,5 dB(A)	
Máxima nível da pressão do som no ouvido do operador L_{PA}	75,2 dB(A) K=2,5 dB(A)	
Nível de potência acústica garantido L_{WA} (medido de acordo com 2000/14/CE)	93 dB(A)	
Vibração a_h	Pega dianteira	2,134 m/s ² K=1,5 m/s ²
	Pega traseira	1,231 m/s ² K=1,5 m/s ²

- O valor total declarado da vibração foi medido de acordo com um método de teste padrão e pode ser usado para comparar duas ferramentas;
- O valor total declarado da vibração também pode ser usado numa avaliação preliminar da exposição.

AVISO: A emissão de vibrações durante a utilização da ferramenta elétrica pode diferir do valor declarado em que a ferramenta é usada. De modo a proteger o utilizador, este deverá utilizar luvas e proteção auditiva nas condições atuais de utilização.

LISTA DE PEÇAS

NOME DA PEÇA	QUANTIDADE
Aparador de fio	1
Proteção	1
Conjunto da pega dianteira	1
Chave hexagonal	1
Manual de funcionamento	1

GUARDE ESTAS INSTRUÇÕES!

DESCRIÇÃO

CONHEÇA O SEU APARADOR DE FIO (Fig. A)

1. Gatilho
2. Pega traseira
3. Alavanca de desbloqueio
4. Interruptor de ajuste de velocidade
5. Manga suave
6. Pega dianteira ajustável
7. Cabeça de choque (cabeça de corte)
8. Manipulo de choque
9. Lâmina de corte do fio
10. Proteção
11. Mecanismo de ejeção
12. Contactos elétricos
13. Aba
14. Botão de libertação de bateria

PT

MONTAR

⚠️ AVISO: Se quaisquer peças estiverem danificadas ou em falta não utilize este produto até as peças serem substituídas. Utilizar este produto com peças danificadas ou em falta pode dar origem a lesões pessoais sérias.

⚠️ AVISO: Não tente modificar este produto nem criar acessórios que não sejam recomendados para utilizar com este aparador de fio. Qualquer alteração ou modificação é considerada uma má utilização e pode dar origem a perigos, que podem levar a possíveis lesões pessoais sérias.

⚠️ AVISO: Para evitar um arranque acidental que possa causar lesões pessoais sérias, retire sempre a bateria do produto durante a montagem das peças.

MONTAGEM DA PROTEÇÃO

⚠️ AVISO: Utilize sempre luvas quando montar ou substituir a proteção. Tenha cuidado com a lâmina na proteção e proteja a sua mão contra cortes.

⚠️ AVISO: Nunca utilize o aparelho sem a proteção bem colocada. A proteção tem de estar sempre no aparelho para proteger o utilizador! Quando a proteção estiver fixada, nunca tente retirá-la nem ajustá-la. Se tiver de a substituir, isso deverá ser efetuado por um técnico qualificado!

Solte e retire os dois parafusos de combinação da base do eixo (Fig. B). Alinhe os orifícios de montagem da proteção com os orifícios de montagem e, depois, bloqueie a proteção na base do eixo com dois parafusos. Certifique-se de que a proteção está fixada de acordo com a Fig. B e C, qualquer fixação inversa irá provocar um grande perigo!

MONTAR E AJUSTAR A PEGA DIANTEIRA

Empurre a pega dianteira na direção do eixo (Fig. E) e, depois, insira o bloco de fixação na ranhura da pega (Fig. F), monte a haste de fixação e bloqueie com a porca de asas (Fig. G). A sequência é apresentada na Fig. D. Por último, ajuste a posição da pega dianteira para que o seu braço dianteiro fique esticado, usando o aparador (Fig. H) e, depois, bloqueie a alavanca da haste de fixação (Fig. I). Fig. D e H descrição das peças apresentada abaixo:

D-1	Pega dianteira	D-4	Porca de asas
D-2	Haste de fixação	H-1	Manga suave
D-3	Bloco de fixação	H-2	Etiqueta aviso

AVISO: A pega dianteira deve ser voltada para cima apontando para a parte superior da pega.

⚠️ AVISO: Fixe apenas a pega dianteira à frente da manga suave no eixo.

⚠️ AVISO: A ferramenta pode ser utilizada sem a pega dianteira fixada de forma fiável.

FUNCIONAMENTO

⚠️ AVISO: Não deixe que a sua familiaridade com o produto o torne descuidado. Lembre-se, uma fração de segundo de desatenção é suficiente para infligir ferimentos graves.

⚠️ AVISO: Utilize sempre proteções oculares com escudos laterais. Juntamente com proteção auditiva. O não cumprimento pode resultar na projeção de objetos para os olhos e outros possíveis ferimentos graves.

⚠️ AVISO: Não utilize quaisquer ligações ou acessórios não recomendados pelo fabricante deste produto. O uso de ligações ou acessórios não recomendados pode resultar em ferimentos pessoais graves.

⚠️ AVISO: Utilize o seu aparador de fio com a respetivo fio de corte para cortar relva e material semelhante.

Pode utilizar este produto para os objetivos abaixo listados:

Aparar: usado para retirar relva e ervas daninhas encostadas a paredes, vedações, árvores e orlas.

Cortar: usado para cortar relva difícil de alcançar usando uma máquina de cortar relva normal.

AVISO: A ferramenta só deve ser utilizada para o seu propósito destinado. Qualquer outra utilização, por exemplo desbaste de sebes, será considerada má utilização.

FIXAR/RETIRAR A BATERIA

Carregue por completo antes da primeira utilização.

Para fixar

Alinhe as abas da bateria com as ranhuras de fixação e empurre a bateria para baixo até ouvir um “clique”. (Fig. J)

Para retirar

Prima o botão para soltar a bateria e puxe a bateria para fora, como apresentado na Fig. K.

SEGURAR O APARADOR DE FIO

AVISO: Vista-se adequadamente para reduzir o risco de lesões quando utilizar este aparelho. Não utilize roupa larga ou joias. Utilize proteções oculares e auditivas. Utilize calças compridas e resistentes, botas e luvas. Não utilize roupa curta, sandálias nem ande descalço.

Antes de colocar em funcionamento, segure o aparador com ambas as mãos, com uma mão na pega traseira e a outra na pega dianteira esticadas (Fig. L). Depois verifique se existe equilíbrio e uma distância de corte apropriada sem que o operador se curve.

LIGAR/PARAR O APARADOR DE FIO

Para ligar

Prima a alavanca de bloqueio para baixo e mantenha-a nessa posição. Prima o gatilho para acionar o aparador de fio como apresentado na Fig. M.

Para parar

Solte a alavanca de bloqueio e o gatilho.

AVISO: O motor tem duas velocidades de corte, Posição “1” para baixa velocidade e Posição “2” para velocidade mais alta, como apresentado na Fig. M. Basta premir o interruptor de ajuste de velocidade para a posição adequada durante o corte.

Fig. M descrição das peças apresentada abaixo:

M-1	Posição 1
M-2	Posição 2

AVISO: Retire sempre a bateria do aparador de fio nas pausas de trabalho e após conclusão de um trabalho.

UTILIZAR O APARADOR DE FIO

AVISO: Para evitar lesões pessoais sérias, utilize sempre óculos de segurança quando utilizar este aparelho. Utilize uma máscara para o rosto ou máscara do pó em locais poeirentos.

Limpe a área a cortar antes de cada utilização. Retire todos os objetos, como pedras, vidro partido, pregos, arames ou fios que possam ser atirados ou ficar presos no acessório de corte. Afaste as crianças, terceiros e animais. No mínimo, mantenha as crianças, terceiros e animais a um raio de 15 metros. Poderá continuar a haver um risco para as pessoas devido aos objetos que possam ser atirados. Quaisquer terceiros deverão ser encorajados a utilizar proteção ocular. Se alguém se aproximar, desligue imediatamente o motor e o acessório de corte.

Antes de cada utilização, verifique se existem peças gastas/danificadas.

Verifique a cabeça de choque, proteção, pega dianteira e substitua as peças rachadas, torcidas, dobradas ou danificadas de algum modo.

Esta lâmina para cortar o fio na extremidade da proteção pode deixar de ficar afiada com o passar do tempo. Recomendamos que afie periodicamente com uma lima ou que a substitua por uma lâmina nova.

AVISO: Utilize sempre luvas quando montar a proteção ou afiar ou substituir a lâmina. Tenha cuidado com a lâmina na proteção e proteja a sua mão contra cortes.

Após cada utilização, limpe o aparador.

CUIDADO: As obstruções nas aberturas de ventilação impedem que o ar flua para a estrutura do motor, dando origem a um sobreaquecimento ou danos no motor.

- Utilize apenas detergente neutro e um pano humedecido para limpar o aparelho. Nunca permita que entrem líquidos no aparelho e nunca coloque qualquer parte do aparelho dentro de qualquer líquido.
- Mantenha sempre as entradas de ar da estrutura do motor e eixo sem resíduos

AVISO: Nunca utilize água para limpar o seu equipamento. Evite utilizar solventes quando limpa peças plásticas. Os plásticos são mais suscetíveis a danos de vários tipos de solventes comerciais. Utilize panos de limpeza para retirar sujidades, pó, óleo, gordura, etc.

AJUSTAR O COMPRIMENTO DO FIO DE CORTE

A cabeça de choque permite ao operador libertar mais fio de corte sem parar o motor. À medida que o fio fica gasto, pode libertar mais fio, batendo ligeiramente o manípulo de corte no chão enquanto utiliza o aparador (Ver Fig. N).

AVISO: A libertação do fio irá ser mais difícil pois o fio começa a ficar mais curto.

⚠ AVISO: Não retire nem altere o conjunto da lâmina de corte do fio. Um fio com um comprimento excessivo faz o motor sobreaquecer e pode dar origem a lesões pessoais sérias.

PT SUBSTITUIÇÃO DO FIO

⚠ AVISO: Nunca utilize fio reforçado com metal, arame, corda, etc. Estes podem partir e tornar-se projéteis perigosos.

Existem dois métodos para substituir o fio de corte:

1. Enrole a bobina com o fio novo.
2. Instale a bobina pré-enrolada (AS1300, AS1301, AS1302, se necessário, disponível junto do revendedor).

Enrolar um fio novo na bobina

Prima as duas abas de libertação na base da bobina e retire o fixador da bobina (Fig. O). Pegue em cerca de 7m de fio de corte novo. Dobre e enrole-a na bobina como apresentado na Fig. P e Q. Depois, coloque a terminação do fio pelos dois entalhes opostos na bobina (Fig. R) e coloque a bobina no respetivo fixador com os entalhes alinhados com os olhais do fixador (Fig. T). Por fim, alinhe as ranhuras do fixador com as abas na base da bobina e prima o fixador de forma uniforme, certificando-se que encaixa em posição (Fig. S).

AVISO: Limpe sempre o fixador da bobina, bobina e base da bobina antes de voltar a montar a cabeça do aparador. Verifique o fixador da bobina, bobina e base da bobina quanto a desgaste. Se for necessário, substitua as peças gastas.

AVISO: Não enrolar o fio na direção indicada faz com que a cabeça do aparador funcione incorretamente.

Instalar uma bobina pré-enrolada

Prima as duas abas de libertação na base da bobina e retire o fixador da bobina (Fig. O). Depois, coloque uma bobina pré-enrolada no fixador com os entalhes alinhados com os olhais do fixador (Fig. T). Por fim, alinhe as ranhuras do fixador com as abas na base da bobina e prima o fixador de forma uniforme, certificando-se que encaixa em posição (Fig. S).

Fig. S e T descrição das peças apresentada abaixo:

S-1	Separador	T-1	Entalhe
S-2	Ranhura	T-2	Olhal

AVISO: Certifique-se de que as abas na base da bobina ficam fixadas no respetivo lugar ou a bobina sai durante o funcionamento.

MANUTENÇÃO

⚠ AVISO: Quando fizer reparações, utilize apenas peças sobressalentes idênticas. Inspeccione e efetue a manutenção da máquina com regularidade. Para assegurar a segurança e bom funcionamento, todas as reparações deverão ser efetuadas por um técnico de reparação qualificado.

⚠ AVISO: As baterias não têm de ser ligadas a uma tomada. Assim, estão sempre em estado de funcionamento. Para evitar lesões pessoais sérias, tenha muito cuidado quando efectuar a manutenção, reparação ou mudança do acessório de corte ou de outros acessórios.

⚠ AVISO: Para evitar lesões pessoais sérias, retire a bateria do aparelho antes da reparação, limpeza, mudança de acessórios ou remoção de material da unidade.

LIMPEZA DA UNIDADE

- Limpe a unidade usando um pano humedecido com detergente suave.
- Não utilize detergentes fortes na estrutura de plástico ou na pega. Estes podem ser danificados por determinados óleos aromáticos, como pinho e limão e por solventes como querosene. A humidade também pode causar um perigo de choque. Retire qualquer vestígio de humidade com um pano macio e seco.
- Utilize uma pequena escova ou a descarga de ar de uma pequena escova aspiradora para desobstruir as entradas de ar na estrutura traseira.

GUARDAR A UNIDADE

- Retire a bateria do aparador de fio quando não o utilizar.
- Limpe bem o aparelho antes de o guardar.
- Armazene a unidade num local seco, bem ventilado, trancado ou elevado, fora do alcance das crianças. Não armazene a unidade em cima ou perto de fertilizantes, gasolina ou outros químicos.

Proteção do ambiente



Não elimine o equipamento elétrico, o carregador da bateria e as baterias/ baterias recarregáveis juntamente com o lixo doméstico comum!

De acordo com a norma europeia 2002/19/UE, o equipamento elétrico e eletrónico que deixe de ser usado e de acordo com a norma europeia 2006/66/CE, as baterias gastas ou defeituosas têm de ser recolhidas em separado.

Se os equipamentos elétricos forem eliminados em aterros ou lixeiras, substâncias perigosas podem vaziar para os lençóis freáticos e entrar na cadeia de alimentação, danificando a sua saúde e bem-estar.

DECLARAÇÃO DE CONFORMIDADE CE

Nós, CHERVON EUROPE LTD.

47 CASTLE STREET, READING, RG1 7SR, UNITED KINGDOM

Declaramos que o produto **aparador de fio sem fios de ião e lítio de 56 V ST1300E** se encontra em conformidade com os requisitos essenciais de saúde e segurança das seguintes Diretivas:

2006/42/CE, 2014/30/EU, 2011/65/EU, 2000/14/CE

Normas e características técnicas relativas a:

EN 60335-1, EN 50636-2-91, EN ISO 11806-1, EN ISO 12100, EN 62233, EN 55014-1, EN 55014-2

Nível de potência do som medido: 89,25 dB(A).

Nível de potência de som garantido: 93 dB(A).

Peter Melrose

Vice-presidente da Chervon Europe

Dong Jianxun

Gestor de Qualidade da Chervon

* (Representante autorizado da CHERVON e responsável pela documentação técnica)

01/04/2016

RESOLUÇÃO DE PROBLEMAS

PROBLEMA	CAUSA	SOLUÇÃO
O aparador de fio não pega.	<ul style="list-style-type: none"> ■ A bateria não foi colocada no aparador de fio. ■ Não existe contacto elétrico entre o aparador e a bateria. ■ A bateria está gasta. ■ A alavanca de bloqueio e o gatilho não foram premidos em simultâneo. 	<ul style="list-style-type: none"> ■ Fixe a bateria no aparador. ■ Retire a bateria, verifique os contactos e volte a instalar a bateria. ■ Carregue a bateria. ■ Prima a alavanca de bloqueio e mantenha premida, depois prima o gatilho para ligar o aparador de fio.
O aparador de fio para durante o corte.	<ul style="list-style-type: none"> ■ A proteção não está montada no aparador, fazendo com que haja um fio excessivamente comprido e o sobreaquecimento do motor. ■ Está a utilizar um fio de corte muito pesado. ■ O eixo do motor ou a cabeça do aparador estão cheios de relva. ■ O motor está sobrecarregado. ■ A bateria ou aparador de fio estão muito quentes. ■ A bateria foi retirada da ferramenta. ■ A bateria está gasta. 	<ul style="list-style-type: none"> ■ Retire a bateria e monte a proteção no aparador. ■ Utilize apenas com um fio de corte de nylon com 2,0mm de diâmetro ou menos. ■ Pare o aparador, retire a bateria e retire a relva do eixo do motor e da cabeça do aparador. ■ Retire a cabeça do aparador da relva. O motor volta a funcionar mal a carga seja retirada. Quando cortar, mova a cabeça do aparador para um lado e para o outro na relva a ser cortada e nunca retire mais de 20cm num único corte. ■ Deixe a bateria ou aparador arrefecer até que a temperatura atinja menos de 67 °C. ■ Volte a colocar a bateria. ■ Carregue a bateria.
A cabeça do aparador não faz o fio avançar.	<ul style="list-style-type: none"> ■ O eixo do motor ou a cabeça do aparador estão cheios de relva. ■ Não tem fio suficiente na bobina. ■ A cabeça do aparador está suja. ■ O fio ficou enroscado na bobina. ■ O fio é demasiado curto. 	<ul style="list-style-type: none"> ■ Pare o aparador, retire a bateria e retire a relva do eixo do motor e da cabeça do aparador. ■ Retire a bateria e substitua o fio de corte. Siga a secção "SUBSTITUIÇÃO DO FIO" neste manual. ■ Retire a bateria e limpe a bobina, fixador da bobina e base da bobina. ■ Retire a bateria, retire o fio da bobina e enrole. Siga a secção "SUBSTITUIÇÃO DO FIO" neste manual. ■ Retire a bateria e puxe as linhas enquanto prime alternadamente e liberta o manípulo de choque.

PROBLEMA	CAUSA	SOLUÇÃO
A relva enrola-se à volta da cabeça do aparador e da estrutura do motor..	<ul style="list-style-type: none">■ Cortar relva alta ao nível do solo.	<ul style="list-style-type: none">■ Corte relva alta do topo até baixo, nunca retirando mais de 20cm em cada passo para evitar que a erva se enrol.
O fio não está a cortar bem.	<ul style="list-style-type: none">■ A lâmina de corte do fio na extremidade da proteção deixou de estar afiada.	<ul style="list-style-type: none">■ Afie a lâmina de corte do fio com uma lima ou substitua por uma lâmina nova.

GARANTIA

POLÍTICA DE GARANTIA EGO

Por favor, visite o website egopowerplus.com para saber todos os termos e condições da política de garantia EGO.

PT

LEGGERE TUTTE LE ISTRUZIONI!



**LEGGERE E COMPRENDERE
LE ISTRUZIONI**

⚠️ Rischi residui! Le persone portatrici di dispositivi elettronici, ad esempio pacemaker, devono consultare il proprio medico prima di usare questo prodotto. L'utilizzo di apparecchi elettrici in prossimità di pacemaker cardiaci comporta il rischio di interferenze o malfunzionamento del pacemaker.

⚠️ AVVERTENZA! Per garantire sicurezza e affidabilità, tutte le riparazioni e sostituzioni devono essere eseguite da un tecnico qualificato.

SIMBOLI DI SICUREZZA

Lo scopo dei simboli di sicurezza è attirare l'attenzione dell'operatore su possibili pericoli. I simboli di sicurezza e le relative spiegazioni richiedono la massima attenzione e comprensione da parte dell'operatore. Le avvertenze espresse dai simboli, da sole, non eliminano tutti i rischi. Le istruzioni e le avvertenze non sostituiscono le adeguate misure di prevenzione contro gli incidenti.

⚠️ AVVERTENZA! Accertarsi di aver letto e compreso tutte le istruzioni di sicurezza in questo manuale, inclusi tutti i simboli di avvertenza come **"PERICOLO"**, **"AVVERTENZA"** e **"ATTENZIONE"**, prima di usare questo apparecchio. Il mancato rispetto di tutte le istruzioni elencate di seguito comporta il rischio di scossa elettrica, incendio e/o lesioni gravi.

SIGNIFICATO DEI SIMBOLI

AVVERTENZA DI SICUREZZA: Indica PERICOLO, AVVERTENZA o ATTENZIONE. Può essere usato in combinazione con altri simboli.



⚠️ AVVERTENZA! L'uso di apparecchi elettrici può causare il lancio di oggetti estranei verso l'operatore, con il rischio di gravi lesioni agli occhi. Durante l'uso dell'apparecchio, indossare sempre occhiali protettivi o occhiali di sicurezza con protezioni laterali e, se necessario, una maschera facciale. Si consiglia di indossare una maschera di sicurezza con ampio campo visivo sopra gli occhiali o gli occhiali di sicurezza standard con protezioni laterali.

ISTRUZIONI DI SICUREZZA

Questa pagina illustra e descrive i simboli di sicurezza che possono comparire sul prodotto. Leggere, comprendere e seguire tutte le istruzioni sull'apparecchio prima di tentare di assemblarlo e ripararlo.

	Avvertenza di sicurezza	Precauzioni relative alla sicurezza dell'operatore.
	Leggere il manuale di istruzioni	Per ridurre il rischio di infortunio, l'utente deve leggere e comprendere tutte le istruzioni prima di usare questo prodotto.
	Indossare protezioni per gli occhi	Durante l'uso del prodotto, indossare sempre occhiali protettivi o occhiali di sicurezza con protezioni laterali e una maschera facciale.
	Indossare protezioni per le orecchie	Durante l'uso del prodotto, indossare sempre protezioni per le orecchie.
	Diametro filo	Diametro del filo di taglio in nylon
	Ampiezza di taglio	Ampiezza di taglio max. del decespugliatore
	Senza lama di taglio	Non installare la lama di taglio in metallo o plastica
	Non esporre alla pioggia	Non usare l'apparecchio in caso di pioggia e non lasciarlo all'aperto quando piove.
	Tenere lontane le altre persone	Assicurarsi che eventuali altre persone e animali rimangano ad almeno 15m di distanza dall'apparecchio quando è in funzione.
	Tenere lontane le altre persone	Assicurarsi che eventuali altre persone e animali rimangano ad almeno 15m di distanza dall'apparecchio quando è in funzione.
V	Volts	Voltaggio
A	Ampere	Corrente
Hz	Hertz	Frequenza (cicli al secondo)
W	Watt	Potenza

min	Minuti	Tempo
	Corrente alternata	Tipo di corrente
	Corrente continua	Tipo o caratteristica della corrente
n_0	Velocità a vuoto	Velocità di rotazione, senza carico
... /min	Al minuto	Rotazioni al minuto

ISTRUZIONI DI SICUREZZA IMPORTANTI

⚠ AVVERTENZA! Durante l'uso del decespugliatore è necessario rispettare alcune elementari norme di sicurezza per ridurre il rischio di incendio, scossa elettrica e infortunio, tra cui le seguenti:

LEGGERE ATTENTAMENTE PRIMA DELL'USO.

CONSERVARE PER RIFERIMENTO FUTURO.

⚠ PERICOLO! Non affidarsi esclusivamente all'isolamento dell'apparecchio contro le scosse elettriche. Per ridurre il rischio di folgorazione, non usare mai l'apparecchio in prossimità di fili o cavi (alimentazione, ecc.) che possono condurre corrente elettrica.

⚠ ATTENZIONE! Indossare adeguati dispositivi di protezione per le orecchie durante l'uso. In alcune circostanze e a seconda della durata di utilizzo, il rumore emesso da questo apparecchio può contribuire alla perdita dell'udito.

FORMAZIONE ALL'USO DELL'APPARECCHIO

- Leggere attentamente le istruzioni. Familiarizzare con tutti i comandi e l'uso corretto della macchina.
- Non fare mai utilizzare l'apparecchio a bambini o a persone che non conoscono bene come fare funzionare l'apparecchio. Normative locali possono limitare l'uso in base all'età.
- Tenere presente che l'operatore o utente è responsabile per incidenti o rischi causati ad altre persone o proprietà.

PREPARAZIONE

- Non azionare mai l'apparecchio se sono presenti persone, soprattutto bambini, o animali nelle vicinanze.
- Indossare sempre dispositivi di protezione per gli occhi e scarpe robuste durante l'uso dell'apparecchio.
- La distanza tra l'apparecchio e le altre persone presenti deve essere almeno 15 metri.

- Non usare lame metalliche

FUNZIONAMENTO

- Usare l'apparecchio solo alla luce del giorno o con una buona illuminazione artificiale.
- Non usare l'apparecchio se la cuffia di protezione o altri dispositivi di sicurezza sono danneggiati o mancanti.
- Accendere il motore esclusivamente quando mani e piedi sono lontani dall'accessorio di taglio.
- Scollegare sempre l'apparecchio dalla fonte di alimentazione (ovvero estrarre la spina dalla presa di corrente o rimuovere il gruppo batteria):
 - prima di lasciare l'apparecchio incustodito;
 - prima di eliminare un'ostruzione;
 - prima di controllare, pulire o eseguire lavori sull'apparecchio;
 - dopo aver urtato un oggetto estraneo;
 - se l'apparecchio comincia a vibrare in modo anomalo.
- Fare attenzione a evitare lesioni a mani e piedi dovute all'accessorio di taglio.
- Verificare sempre che le aperture di ventilazione siano prive di detriti.

MANUTENZIONE E CONSERVAZIONE

- Scollegare sempre l'apparecchio dalla fonte di alimentazione (ovvero estrarre la spina dalla presa di corrente o rimuovere il gruppo batteria) prima di effettuare qualsiasi operazione di manutenzione o pulizia.
- Usare esclusivamente accessori e parti di ricambio originali.
- Ispezionare l'apparecchio ed effettuare la manutenzione regolarmente. Affidare eventuali riparazioni dell'apparecchio esclusivamente a tecnici autorizzati.
- Quando non è in uso, riporre l'apparecchio fuori dalla portata dei bambini.

AVVERTENZE DI SICUREZZA AGGIUNTIVE

- Evitare gli ambienti pericolosi - Non usare il decespugliatore in ambienti umidi o bagnati.
- Spegnerne sempre il decespugliatore o rimuovere il gruppo batteria prima di lasciare il decespugliatore incustodito.
- Non usare l'apparecchio sotto la pioggia.
- Tenere i bambini a distanza - Eventuali altre persone devono rimanere lontane dall'area di lavoro.

- Vestirti adeguatamente - Non indossare indumenti ampi o gioielli perché possono impigliarsi nelle parti in movimento. Si raccomanda l'uso di guanti in gomma e calzature robuste durante i lavori all'aperto. Indossare un copricapo per raccogliere i capelli lunghi.
- Indossare occhiali di sicurezza - Usare sempre una maschera facciale o antipolvere se l'ambiente è polveroso.
- Usare l'apparecchio appropriato - Non usare l'apparecchio per scopi diversi da quelli per cui è progettato.
- Non forzare il decespugliatore - Sarà più efficace e sicuro se usato al regime per cui è stato progettato.
- Non allungarsi eccessivamente - Tenere i piedi a contatto con il pavimento e mantenere sempre l'equilibrio.
- Rimanere vigili - Prestare attenzione al lavoro che si sta effettuando. Usare il buon senso. Non usare il decespugliatore se si è stanchi.
- Non usare il decespugliatore se si è sotto l'effetto di droghe o alcol.
- Mantenere la cuffia di protezione dell'apparecchio installata e in buono stato.
- Conservare il decespugliatore in interni - Quando non è in uso, conservare il decespugliatore in interni, in un luogo asciutto e elevato o chiuso a chiave, privo di batteria e fuori dalla portata dei bambini.
- Mantenere il decespugliatore in buono stato - Mantenere pulito l'accessorio di taglio per ottimizzare le prestazioni e ridurre il rischio di infortunio. Seguire le istruzioni relative alla sostituzione degli accessori. Tenere le impugnature asciutte, pulite e prive di olio e grasso.
- Verificare l'assenza di componenti danneggiati - Se la cuffia di protezione o un altro componente ha subito danni, ispezionarlo con attenzione per verificare che funzioni correttamente prima di usare nuovamente il decespugliatore. Verificare che le parti mobili non siano disallineate o piegate, che il telaio e i componenti non siano danneggiati e che non siano presenti altre condizioni suscettibili di compromettere il funzionamento del tagliaerba. Se un dispositivo di protezione o un componente è danneggiato, deve essere riparato o sostituito da un centro di assistenza autorizzato, tranne se altrimenti specificato in questo manuale.
- Sgombrare l'area da tagliare prima di ogni utilizzo. Rimuovere oggetti come pietre, vetri rotti, chiodi, cavi o corde perché potrebbero venire lanciati o impigliarsi nell'accessorio di taglio. Tenere eventuali altre persone e animali ad almeno 15 metri di distanza.
- Prima di usare l'apparecchio e dopo qualsiasi urto, verificare l'assenza di segni di usura o rottura e procedere alla riparazione se necessario.
- Durante l'uso del decespugliatore, tenerlo sempre saldamente con entrambe le mani sull'impugnatura. Avvolgere le dita e i pollici intorno alle impugnature.
- Evitare l'avvio accidentale - Non trasportare il decespugliatore con il dito sull'interruttore.
- Non usare il decespugliatore in atmosfere esplosive o in presenza di benzina. Il motore di questo apparecchio genera scintille che possono dare fuoco ai vapori infiammabili.
- Non toccare le parti mobili pericolose prima di spegnere l'apparecchio (o rimuovere il gruppo batteria) o attendere che le parti mobili pericolose si siano fermate completamente.
- Danni all'apparecchio - Se il decespugliatore urta un oggetto estraneo o se rimane incastrato, spegnere immediatamente l'apparecchio, rimuovere il gruppo batteria, verificare l'assenza di danni o procedere alla riparazione prima di usarlo nuovamente. Non usare il decespugliatore se un dispositivo di sicurezza o la bobina sono danneggiati.
- Se l'apparecchio inizia a vibrare in modo anomalo, arrestare il motore, rimuovere il gruppo batteria e individuare immediatamente la causa. La vibrazione è generalmente sintomo di un problema: Se è allentata, la testa di taglio può vibrare, incrinarsi, rompersi o staccarsi dal decespugliatore, comportando il rischio di lesioni gravi o mortali. Verificare che l'accessorio di taglio sia fissato correttamente. Se la testa di taglio si allenta dopo averla fissata, sostituirla immediatamente. Non usare mai il decespugliatore se l'accessorio di taglio è allentato.
- Sostituire immediatamente la testa di taglio se è incrinata, danneggiata o usurata, anche se il danno è limitato a incrinature superficiali. Ad alta velocità, gli accessori di taglio possono frantumarsi e causare lesioni gravi o mortali.
- Ispezionare l'accessorio di taglio a brevi e regolari intervalli durante l'uso o immediatamente dopo aver rilevato un evidente cambiamento nell'efficienza di taglio.
- Usare esclusivamente bobine di filo sintetico autorizzate EGO™ e bobine di filo progettate per l'uso con questo apparecchio. Anche se alcuni accessori non autorizzati possono adattarsi al decespugliatore EGO™, il loro utilizzo può essere estremamente pericoloso e/o dannoso per l'apparecchio.
- Per ridurre il rischio di lesioni gravi, non usare mai filo metallico, rinforzato in metallo o in altri materiali in sostituzione del filo di taglio in nylon. Pezzi di filo metallico possono rompersi e venire lanciati ad alta velocità verso l'operatore o altre persone presenti.

- Per ridurre il rischio di infortunio dovuto a perdite di controllo, non lavorare mai su scale o su altri supporti instabili. Non tenere mai l'accessorio di taglio sopra l'altezza della vita.
- In caso di situazioni non contemplate in questo manuale, agire con cautela e usare il buon senso. Contattare il centro di assistenza EGO per assistenza.
- Non ricaricare il gruppo batteria sotto la pioggia o in luoghi umidi.
- Usare il decespugliatore esclusivamente con i gruppi batteria e caricabatteria elencati di seguito.

BATTERIA	CARICABATTERIA
BA1120E, BA2240E, BA2800, BA3360, BA4200	CH5500E, CH2100E

- Il gruppo batteria deve essere rimosso dall'apparecchio prima che sia smaltito.
- La batteria deve essere smaltita in modo sicuro.
- Non gettare la batteria nel fuoco perché le celle potrebbero esplodere. Contattare le autorità locali per eventuali istruzioni di smaltimento specifiche.
- Non aprire o mutilare la batteria. Gli elettroliti rilasciati sono corrosivi e possono danneggiare gli occhi o la pelle o essere tossici se ingeriti.
- Prestare attenzione durante la manipolazione delle batterie per evitare il contatto con materiali conduttivi come anelli, braccialetti e chiavi. La batteria o il conduttore possono surriscaldarsi e causare ustioni.
- Durante la riparazione, usare esclusivamente parti di ricambio EGO™ identiche. L'uso di altri accessori aumenta il rischio di infortunio.
- Gli apparecchi a batteria non hanno bisogno di essere collegati a un impianto elettrico; pertanto sono sempre in condizioni operative. Tenere a mente i possibili rischi anche quando l'apparecchio non è in funzione. Prestare attenzione durante le operazioni di manutenzione o riparazione.
- Non pulire l'apparecchio con tubi per innaffiare; evitare le infiltrazioni d'acqua nel motore e nelle connessioni elettriche.
- Conservare queste istruzioni. Consultarle frequentemente e usarle per istruire gli altri utenti dell'apparecchio. Se si presta questo apparecchio ad altre persone, allegare anche queste istruzioni per evitare l'uso errato dell'apparecchio e il rischio di infortunio.
- Durante l'uso dell'apparecchio, indossare sempre scarpe robuste e pantaloni lunghi.
- Mantenere sempre i piedi a contatto con il terreno sulle pendenze; camminare e non correre.

CONSERVARE QUESTE ISTRUZIONI!

SPECIFICHE TECNICHE

Voltaggio	56 V ---	
Giri a vuoto	5200-6500 /min	
Meccanismo di taglio	Testa del decespugliatore	
Tipo di filo di taglio	AL0802 2.0mm Filo di torsione	
Ampiezza di taglio	33 cm	
Peso (senza gruppo batteria)	2,76 kg	
Livello di potenza sonora misurato L_{WA}	89,25 dB(A) K=2,5 dB(A)	
Massimo livello di pressione sonora a livello dell'orecchio dell'operatore L_{PA}	75,2 dB(A) K=2,5 dB(A)	
Livello di potenza sonora garantito L_{WA} (misurato conformemente a 2000/14/EC)	93 dB(A)	
Vibrazioni a_n	Impugnatura anteriore ausiliaria	2,134 m/s ² K=1,5 m/s ²
	Impugnatura posteriore	1,231 m/s ² K=1,5 m/s ²

- Il valore totale di vibrazioni indicato è stato misurato tramite il metodo di collaudo standard e può essere utilizzato per confrontare l'apparecchio con altri prodotti analoghi.
- Il valore totale di vibrazioni indicato può essere utilizzato anche per una valutazione preliminare dei livelli di esposizione.

NOTA: L'emissione di vibrazioni durante l'uso effettivo dell'apparecchio può variare rispetto al valore indicato in base a come viene utilizzato l'utensile. Per proteggersi, l'operatore deve indossare guanti e dispositivi di protezione per le orecchie in base alle reali condizioni d'uso.

CONTENUTO DELLA CONFEZIONE

DENOMINAZIONE DEL COMPONENTE	QUANTITÀ
Decespugliatore	1
Cuffia di protezione	1
Gruppo impugnatura anteriore ausiliaria	1
Chiave esagonale	1
Manuale di istruzioni	1

DESCRIZIONE

DESCRIZIONE DEL DECESPUGLIATORE (Fig. A)

1. Interruttore a grilletto
2. Impugnatura posteriore
3. Leva di sbloccaggio
4. Interruttore di regolazione della velocità
5. Impugnatura morbida
6. Impugnatura anteriore ausiliaria regolabile
7. Testa del decespugliatore (testa di taglio)
8. Pulsante di rilascio del filo
9. Lama del filo di taglio
10. Cuffia di protezione
11. Meccanismo di espulsione
12. Contatti elettrici
13. Dispositivo di chiusura
14. Pulsante di rilascio della batteria

IT

ASSEMBLAGGIO

⚠ AVVERTENZA! In caso di componenti danneggiati o mancanti, non usare l'apparecchio finché i componenti non vengono sostituiti. L'uso dell'apparecchio con componenti danneggiati o mancanti comporta il rischio di lesioni gravi.

⚠ AVVERTENZA! Non tentare di modificare l'apparecchio o creare accessori non raccomandati per l'uso con questo decespugliatore. Tali alterazioni o modifiche costituiscono un uso improprio e comportano condizioni pericolose e il rischio di lesioni gravi.

⚠ AVVERTENZA! Per evitare l'avvio accidentale e il conseguente rischio di lesioni gravi, rimuovere sempre il gruppo batteria dall'apparecchio durante l'assemblaggio dei componenti.

ASSEMBLARE LA CUFFIA DI PROTEZIONE

⚠ AVVERTENZA! Indossare sempre i guanti durante l'installazione o la sostituzione della cuffia di protezione. Fare attenzione alla lama sulla cuffia di protezione e proteggere le mani dal rischio di lesioni.

⚠ AVVERTENZA! Non usare l'apparecchio se la cuffia di protezione non è posizionata correttamente e saldamente. La cuffia di protezione deve essere sempre installata per proteggere l'operatore! Dopo aver fissato la cuffia di protezione, non tentare mai di rimuoverla o regolarla. Se è necessario sostituirla, affidare l'operazione a un tecnico qualificato!

Allentare e rimuovere le due viti dalla base dell'albero (Fig. B). Allineare i fori di montaggio della cuffia con i fori di assemblaggio, quindi bloccare la cuffia sulla base dell'albero con le due viti. Accertarsi che la cuffia sia fissata come illustrato in Fig. B e C; un fissaggio invertito comporta gravi rischi!

INSTALLAZIONE E REGOLAZIONE DELL'IMPUGNATURA ANTERIORE AUSILIARIA

Spingere l'impugnatura anteriore ausiliaria sull'albero (Fig. E), inserire il morsetto sulla scanalatura dell'impugnatura (Fig. F), installare il perno di bloccaggio e bloccarli con il dado a farfalla (Fig. G). La sequenza è illustrata in Fig. D. Infine regolare la posizione dell'impugnatura anteriore ausiliaria affinché il proprio braccio anteriore sia dritto durante l'uso del decespugliatore (Fig. H), quindi bloccare la leva del perno di bloccaggio (Fig. I).

Descrizione delle parti in Fig. D e H:

D-1	Impugnatura anteriore ausiliaria	D-4	Dado a farfalla
D-2	Perno di bloccaggio	H-1	Impugnatura morbida
D-3	Morsetto	H-2	Etichetta di avvertenza

NOTA: l'impugnatura anteriore ausiliaria deve essere ruotata verso l'alto affinché punti verso la parte superiore dell'impugnatura.

⚠ AVVERTENZA! Fissare l'impugnatura anteriore ausiliaria esclusivamente davanti al rivestimento morbido sull'albero.

⚠ AVVERTENZA! L'apparecchio non può essere usato senza l'impugnatura anteriore ausiliaria fissata saldamente.

FUNZIONAMENTO

⚠ AVVERTENZA! La familiarità con questo apparecchio non deve rendere l'operatore disattento. Anche un solo momento di disattenzione comporta il rischio di lesioni gravi.

⚠ AVVERTENZA! Indossare sempre occhiali di sicurezza con protezioni laterali. Indossare anche protezioni per le orecchie. Il mancato rispetto di questa istruzione comporta il rischio di oggetti proiettati verso gli occhi dell'operatore e altre lesioni gravi.

⚠ AVVERTENZA! Non usare accessori non raccomandati dal costruttore dell'apparecchio. L'uso di accessori non raccomandati comporta il rischio di lesioni gravi.

AVVERTENZA! Usare il decespugliatore dotato del filo di taglio appropriato esclusivamente per tagliare erba e materiali similari.

Questo prodotto può essere usato per gli scopi elencati di seguito:

Rifinitura: per rimuovere erba e erbacce contro muri, steccati, alberi e bordi.

Taglio: per tagliare erba difficile da raggiungere con un normale tosaerba.

NOTA: Usare l'apparecchio esclusivamente per gli scopi previsti. Altri utilizzi, ad esempio come bordatore, sono da considerarsi uso improprio.

INSTALLARE/RIMUOVERE IL GRUPPO BATTERIA

Ricaricare completamente prima del primo utilizzo

Installazione

Allineare i rilievi sul gruppo batteria con le scanalature di assemblaggio e premere il gruppo batteria fino a udire un "clic". (Fig. J)

Rimozione

Premere il pulsante di rilascio della batteria ed estrarre il gruppo batteria in Fig. K.

COME TENERE IL DECESPUGLIATORE

AVVERTENZA! Vestirsi adeguatamente per ridurre il rischio di infortunio durante l'uso dell'apparecchio. Non indossare indumenti ampi o gioielli. Indossare dispositivi di protezione per gli occhi/orecchie. Indossare pantaloni lunghi e pesanti, stivali e guanti. Non indossare pantaloni corti o sandali e non usare l'apparecchio a piedi nudi.

Prima di avviare il decespugliatore, tenerlo con entrambe le mani: una mano sull'impugnatura posteriore e l'altra sull'impugnatura anteriore ausiliaria, che deve essere diritta (Fig. L). Assumere quindi una posizione in equilibrio e osservare una corretta distanza di taglio; non piegarsi in avanti.

AVVIARE/ARRESTARE IL DECESPUGLIATORE

Avvio

Tenere premuta la leva di sbloccaggio. Premere l'interruttore a grilletto per avviare il decespugliatore come illustrato in Fig. M.

Arresto

Rilasciare la leva di sbloccaggio e l'interruttore a grilletto.

NOTA: il motore è dotato di due velocità di taglio: la posizione "1" corrisponde alla velocità più bassa, e la posizione "2" corrisponde alla velocità alta, come illustrato in Fig. M. Spingere l'interruttore di regolazione della velocità sulla posizione desiderata durante il taglio.

Descrizione delle parti in Fig. M:

M-1	Posizione 1
M-2	Posizione 2

AVVERTENZA! Rimuovere sempre il gruppo batteria dal decespugliatore durante le pause e al termine del lavoro.

COME USARE IL DECESPUGLIATORE

AVVERTENZA! Per evitare lesioni gravi, indossare sempre occhiali di protezione o di sicurezza durante tutto l'uso dell'apparecchio. Indossare una maschera facciale o antipolvere in ambienti polverosi.

Sgombrare l'area da tagliare prima di ogni utilizzo. Rimuovere oggetti come pietre, vetri rotti, chiodi, cavi o corde perché potrebbero venire lanciati o impigliarsi nell'accessorio di taglio. Tenere lontani dall'area di lavoro bambini, altre persone e animali. Tenere eventuali bambini, altre persone e animali ad almeno 15m di distanza; permane tuttavia il rischio di lesioni alle altre persone dovute al lancio di oggetti. Si raccomanda di far indossare dei dispositivi di protezione per gli occhi a eventuali persone presenti. Se un'altra persona si avvicina, arrestare immediatamente il motore e l'accessorio di taglio.

Prima di ogni utilizzo, verificare l'assenza di componenti danneggiati/usurati

Ispezionare la testa di taglio, la cuffia di protezione e l'impugnatura anteriore ausiliaria e sostituire i componenti incrinati, deformati, piegati o danneggiati in qualsiasi modo.

La lama del filo di taglio sul bordo della cuffia di protezione può smussarsi col tempo. Si consiglia di affilarla periodicamente con una lima o di sostituirla con una lama nuova.

AVVERTENZA! Indossare sempre i guanti durante l'installazione della cuffia di protezione o durante l'affilatura o la sostituzione della lama. Fare attenzione alla lama sulla cuffia di protezione e proteggere le mani dal rischio di lesioni.

Pulire il decespugliatore dopo utilizzo.

ATTENZIONE! L'ostruzione delle aperture di ventilazione impedirà il flusso d'aria all'interno del vano motore, causando il surriscaldamento o il danneggiamento del motore.

- Usare esclusivamente sapone neutro e un panno umido per pulire l'apparecchio. Evitare la penetrazione di liquidi all'interno dell'apparecchio. Non immergere mai alcuna parte dell'apparecchio in liquidi.
- Mantenere le aperture di ventilazione sul vano motore e sull'albero costantemente prive di detriti.

AVVERTENZA! Non usare mai acqua per pulire l'apparecchio. Evitare l'uso di solventi durante la pulizia delle parti in plastica. La maggior parte dei materiali plastici può essere danneggiata da diversi tipi di solventi in commercio. Usare un panno pulito per rimuovere sporcizia, polvere, olio, grasso, ecc.

REGOLARE LA LUNGHEZZA DEL FILO DI TAGLIO

La testa di taglio permette all'operatore di allungare il filo di taglio senza arrestare il motore. Quando il filo diventa sfilacciato o usurato, allungarlo premendo leggermente il pulsante di rilascio del filo sul terreno mentre il decespugliatore è in funzione (Fig. N).

NOTA: allungare il filo diventa più difficile mano a mano che il filo di taglio si accorcia.

AVVERTENZA! Non rimuovere o alterare la lama del filo di taglio. Una lunghezza eccessiva del filo causerà il surriscaldamento del motore e il conseguente rischio di lesioni gravi.

SOSTITUZIONE DEL FILO

AVVERTENZA! Non usare mai cavi, fili rinforzati in metallo, corda, ecc. perché possono rompersi e diventare proiettili pericolosi.

Sono disponibili due modalità di sostituzione del filo di taglio:

1. Avvolgere del filo nuovo sulla bobina.
2. Installare una bobina con filo (AS1300, AS1301, AS1302, disponibili presso il rivenditore).

Avvolgere del filo nuovo sulla bobina

Premere le due linguette di rilascio sulla base della bobina ed estrarre il fermo della bobina estraendolo in linea retta (Fig. O). Estrarre circa 7m di filo di taglio nuovo. Piegarlo e avvolgerlo sulla bobina come illustrato in Fig. P e Q. Infilare le estremità del filo attraverso le due tacche opposte della bobina (Fig. R) e posizionare la bobina nel suo fermo con le tacche allineate con gli occhielli del fermo (Fig. T). Infine, allineare le fessure sul fermo con le linguette sulla base della bobina e premere il fermo uniformemente finché non si incastra in posizione (Fig. S).

NOTA: pulire sempre il fermo della bobina, la bobina e la base della bobina prima di reinstallarli sulla testa di taglio. Verificare che il fermo della bobina, la bobina e la base della bobina non siano usurati. Se necessario, sostituire i componenti usurati.

NOTA: l'avvolgimento del filo nella direzione errata causerà il malfunzionamento della testa di taglio.

Installare una nuova bobina con filo

Premere le due linguette di rilascio sulla base della bobina ed estrarre il fermo della bobina estraendolo in linea retta (Fig. O). Posizionare una nuova bobina nel fermo con le tacche allineate con gli occhielli del fermo (Fig. T). Infine, allineare le fessure sul fermo con le linguette sulla base della bobina e premere il fermo uniformemente finché non si incastra in posizione (Fig. S).

Descrizione delle parti in Fig. S e T:

S-1	Linguetta	T-1	Tacca
S-2	Fessura	T-2	Occhiello

NOTA: accertarsi che le linguette sulla base della bobina si incastrino in posizione per evitare che la bobina fuoriesca durante il funzionamento.

MANUTENZIONE

AVVERTENZA! Per la riparazione dell'apparecchio, usare esclusivamente parti di ricambio identiche. Ispezionare l'apparecchio ed effettuare la manutenzione regolarmente. Per garantire sicurezza e affidabilità, tutte le riparazioni e sostituzioni devono essere eseguite da un tecnico qualificato.

AVVERTENZA! Gli apparecchi a batteria non hanno bisogno di essere collegati a un impianto elettrico; pertanto sono sempre in condizioni operative. Per evitare lesioni gravi, prestare particolare attenzione durante le operazioni di manutenzione o riparazione e la sostituzione dell'accessorio di taglio o di altri accessori.

⚠ AVVERTENZA! Per evitare lesioni gravi, rimuovere il gruppo batteria dall'apparecchio prima di pulirlo o ripararlo e prima di sostituire gli accessori o rimuovere del materiale dall'apparecchio.

PULIZIA DELL'APPARECCHIO

- Pulire l'apparecchio usando un panno inumidito con del detergente neutro.
- Non usare detersivi aggressivi sulle superfici esterne in plastica o sull'impugnatura perché possono essere danneggiate da alcuni oli aromatici, come pino e limone, e da solventi come il cherosene. L'umidità comporta il rischio di scossa elettrica. Rimuovere eventuali segni di umidità con un panno asciutto e morbido.
- Usare una piccola spazzola o un piccolo aspirapolvere per pulire le aperture di ventilazione sul vano motore.

CONSERVAZIONE DELL'APPARECCHIO

- Rimuovere il gruppo batteria dal decespugliatore quando non è in uso.
- Pulire accuratamente l'apparecchio prima di riportarlo.
- Conservare l'apparecchio in un luogo asciutto, ben ventilato, elevato o chiuso a chiave, e fuori dalla portata dei bambini. Non conservare l'apparecchio sopra o in prossimità di fertilizzanti, benzina o altre sostanze chimiche.

Protezione dell'ambiente



Non smaltire gli apparecchi elettrici, caricabatteria e batterie/batterie ricaricabili insieme ai rifiuti indifferenziati!

Conformemente alle direttive europee 2012/19/EU e 2006/66/CE, i rifiuti di apparecchiature elettriche ed elettroniche, pile e accumulatori devono essere raccolti separatamente e smaltiti nel rispetto dell'ambiente.

Se gli apparecchi elettrici vengono smaltiti nelle discariche, le sostanze pericolose possono infiltrarsi nelle falde acquifere e contaminare la catena alimentare, con effetti dannosi sulla salute e il benessere.

DICHIARAZIONE DI CONFORMITÀ CE

Il costruttore, CHERVON EUROPE LTD.

47 CASTLE STREET, READING, RG1 7SR, UNITED KINGDOM

Dichiara che il decespugliatore a **batteria li-ion 56 V ST1300E** è conforme ai requisiti essenziali in materia di salute e sicurezza delle seguenti direttive:

2006/42/CE, 2014/30/UE, 2011/65/UE, 2000/14/CE

Standard e specifiche tecniche conformi a:

EN 60335-1, EN 50636-2-91, EN ISO 11806-1, EN ISO 12100, EN 62233, EN 55014-1, EN 55014-2

Livello di potenza sonora misurato: 89,25 dB(A).

Livello di potenza sonora garantito: 93 dB(A).

Peter Melrose
Vice Presidente Chervon Europe

Dong Jianxun
Responsabile Qualità Chervon

* (Rappresentante autorizzato per CHERVON e responsabile della documentazione tecnica)

01/04/2016

RISOLUZIONE DEI PROBLEMI

PROBLEMA	CAUSA	SOLUZIONE
Il decespugliatore non si avvia.	<ul style="list-style-type: none"> ■ Il gruppo batteria non è installato sul decespugliatore. ■ Il contatto elettrico tra il decespugliatore e la batteria è mancante. ■ Il gruppo batteria è scarico. ■ La leva di sbloccaggio e l'interruttore a grilletto non sono stati premuti contemporaneamente. 	<ul style="list-style-type: none"> ■ Installare il gruppo batteria sul decespugliatore. ■ Rimuovere la batteria, ispezionare i contatti e reinstallare il gruppo batteria. ■ Ricaricare il gruppo batteria. ■ Per avviare il decespugliatore, tenere premuta la leva di sbloccaggio contemporaneamente all'interruttore a grilletto.
Il decespugliatore si arresta durante il taglio	<ul style="list-style-type: none"> ■ La cuffia di protezione non è installata sul decespugliatore, causando l'eccessiva lunghezza del filo di taglio e il sovraccarico del motore. ■ È in uso un filo di taglio troppo spesso. ■ L'albero di comando o la testa di taglio sono bloccati dall'erba. ■ Il motore è sovraccarico. ■ Il gruppo batteria o il decespugliatore sono troppo caldi. ■ Il gruppo batteria non è installato sul decespugliatore. ■ Il gruppo batteria è scarico. 	<ul style="list-style-type: none"> ■ Rimuovere il gruppo batteria e installare la cuffia di protezione sul decespugliatore. ■ Utilizzare esclusivamente un filo di taglio in nylon da 2,0mm di diametro o inferiore. ■ Arrestare il decespugliatore, rimuovere la batteria e rimuovere l'erba dall'albero di comando e dalla testa di taglio. ■ Rimuovere la testa di taglio dall'erba. Il motore si riavvierà alla rimozione del carico. Durante il taglio, spostare la testa di taglio dentro e fuori dall'erba da tagliare e rimuovere non più di 20cm di lunghezza a ogni passata. ■ Attendere che la temperatura del gruppo batteria e del decespugliatore scenda al di sotto di 67°C. ■ Reinstallare il gruppo batteria. ■ Ricaricare il gruppo batteria.

PROBLEMA	CAUSA	SOLUZIONE
Non è possibile allungare il filo della testa di taglio	<ul style="list-style-type: none"> ■ L'albero di comando o la testa di taglio sono bloccati dall'erba. ■ La bobina non contiene abbastanza filo. ■ La testa di taglio è sporca. ■ Il filo è impigliato sulla bobina. ■ Il filo è troppo corto. 	<ul style="list-style-type: none"> ■ Arrestare il decespugliatore, rimuovere la batteria e rimuovere l'erba dall'albero di comando e dalla testa di taglio. ■ Rimuovere la batteria e sostituire il filo di taglio. Seguire le istruzioni alla sezione SOSTITUZIONE DEL FILO in questo manuale. ■ Rimuovere la batteria e pulire la bobina, il fermo della bobina e la base della bobina. ■ Rimuovere la batteria, rimuovere il filo dalla bobina e riavvolgerlo. Seguire le istruzioni alla sezione SOSTITUZIONE DEL FILO in questo manuale. ■ Rimuovere la batteria, quindi tirare il filo e nel contempo premere e rilasciare il pulsante di rilascio del filo.
L'erba si avvolge intorno alla testa di taglio e al vano motore	<ul style="list-style-type: none"> ■ Tagliare l'erba a livello del terreno. 	<ul style="list-style-type: none"> ■ Tagliare l'erba dall'alto verso il basso, rimuovendo non più di 20cm a ogni passata per evitare il problema.
Il filo non taglia bene	<ul style="list-style-type: none"> ■ La lama del filo di taglio sul bordo della cuffia di protezione è smussata. 	<ul style="list-style-type: none"> ■ Affilarla la lama del filo di taglio con una lima o sostituirla con una lama nuova.

GARANZIA

CONDIZIONI DELLA GARANZIA EGO

Visitare il sito web egopowerplus.com per consultare le condizioni complete della garanzia EGO.

LEES ALLE INSTRUCTIES!



LEES EN BEGRIJP DE GEBRUIKERSHANDLEIDING

⚠ Restrisico! Personen met elektronische apparaten, zoals pacemakers, moeten eerst hun art(sen) raadplegen voordat ze dit product mogen gebruiken. De werking van een elektrisch apparaat in de nabijheid van een pacemaker kan een storing of defect aan de pacemaker veroorzaken.

⚠ WAARSCHUWING: Om een continue veiligheid en betrouwbaarheid te waarborgen, dienen alle reparaties en vervangingen van onderdelen uitgevoerd te worden door een vakbekwame reparateur.

NL

VEILIGHEIDSSYMBOLEN

Het doel van de veiligheidssymbolen is om u te wijzen op mogelijke gevaren. Besteed daarom voldoende aandacht hieraan en begrijp de veiligheidssymbolen en bijbehorende uitleg. De symboolwaarschuwingen op zich elimineren geen enkel gevaar. De gegeven instructies en waarschuwingen gelden niet als vervanging voor gepaste voorzorgsmaatregelen tegen ongevallen.

⚠ WAARSCHUWING: Lees en begrijp alle veiligheidsinstructies die in deze gebruikershandleiding zijn vermeld, waaronder alle veiligheidssymbolen zoals **“GEVAAR”, “WAARSCHUWING”, en “OPGELET”** voordat u dit apparaat in gebruik neemt. Het negeren van onderstaande instructies kan leiden tot elektrische schokken, brand en/of ernstig persoonlijk letsel.

BETEKENIS VAN DE SYMBOLEN

WAARSCHUWINGSSYMBOL: Geeft GEVAAR, WAARSCHUWING of OPGELET aan. Kan worden gebruikt in combinatie met andere symbolen of pictogrammen.



⚠ WAARSCHUWING: De werking van het apparaat kan leiden tot het rondslingeren van (vreemde) objecten die in uw ogen kunnen terechtkomen. Dit kan leiden tot ernstig oogletsel. Wanneer u elektrische apparaten gebruikt, zorg er dan voor dat u altijd een veiligheidsbril (met zijschermen) of een gelaatsscherm draagt. We bevelen aan om een gelaatsscherm over uw bril of standaard veiligheidsbril met zijschermen te gebruiken.

VEILIGHEIDSVORSCHRIFTEN

Deze pagina toont en beschrijft alle veiligheidssymbolen die zich op dit product kunnen bevinden. Lees, begrijp en volg alle instructies op de machine voordat u deze in elkaar zet en gebruikt.

	Veiligheidswaarschuwing	Vorzorgsmaatregelen voor uw veiligheid.
	Lees de gebruikershandleiding	De gebruiker dient de gebruikershandleiding voor het gebruik van dit product te lezen en te begrijpen om risico op letsel te beperken.
	Draag oogbescherming	Draag altijd een veiligheidsbril met zijschermen en een gelaatsscherm als u dit product gebruikt.
	Draag oorbescherming	Draag altijd gehoorbescherming wanneer u dit product gebruikt.
	Diameter draad	De diameter van de nylon snijdraad
	Snijbreedte	De max. snijbreedte van de grastrimmer
	Geen maaimes	Installeer geen metalen of plastic maaimes
	Niet aan regen blootstellen	Gebruik het apparaat niet in de regen en laat het tevens niet buiten achter als het regent.
	Houd omstanders uit de buurt	Zorg dat andere personen en huisdieren zich op minstens 15m van de grastrimmer bevinden wanneer in gebruik.
	Houd omstanders uit de buurt	Zorg dat andere personen en huisdieren zich op minstens 15m van de grastrimmer bevinden wanneer in gebruik.
V	Volt	Spanning
A	Ampère	Stroom
Hz	Hertz	Frequentie (cycli per seconde)
W	Watt	Vermogen

min	Minuten	Tijd
~	Wisselstroom	Stroomtype
≡	Gelijkstroom	Stroomtype of -karakteristiek
n_0	Snelheid zonder belasting	Draaisnelheid, zonder belasting
.../min	Per minuut	Toeren per minuut

- De afstand tussen de machine en de omstanders mag niet minder dan 15m zijn.
- Gebruik geen metalen messen

GEBRUIK

- Gebruik de machine alleen bij daglicht of voldoende kunstmatig licht.
- Gebruik de machine nooit met beschadigde schermen of zonder dat de schermen gemonteerd zijn.
- Schakel de motor alleen in wanneer uw handen en voeten zich uit de buurt van het snijelement bevinden.
- Ontkoppel altijd de machine van de voeding (d.w.z. haal de stekker uit het stopcontact of verwijder het ontkoppelingsmechanisme),
 - wanneer de machine zonder toezicht wordt achtergelaten;
 - voor het verwijderen van een verstopping;
 - voor het controleren, reinigen of onderhouden van de machine;
 - na het raken van een vreemd voorwerp;
 - telkens de machine overmatig trilt.
- Zorg dat u geen letsel oploopt aan uw handen en voeten door het snijelement
- Zorg dat de ventilatieopeningen altijd vrij van vuil zijn.

BELANGRIJKE VEILIGHEIDSLINSTRUCTIES

⚠ WAARSCHUWING: Tijdens het gebruik van grastrimmers, moeten de volgende standaard veiligheidsmaatregelen worden genomen om het risico op brand, elektrische schokken en persoonlijk letsel te vermijden:

LEES GRONDIG VOOR GEBRUIK

BEWAAR VOOR LATERE RAADPLEGING

⚠ GEVAAR: Vertrouw niet op de isolatie van het gereedschap om elektrische schokken te voorkomen. Om het risico op elektrocutie te beperken, bedien de machine nooit in de buurt van bedrading of kabels (voeding, etc.) die onder elektrische stroom staan.

⚠ OPGELET: Draag gepaste persoonlijke gehoorbescherming tijdens gebruik. In bepaalde omstandigheden en afhankelijk van de gebruiksduur kan het lawaai dat dit product produceert tot gehoorverlies leiden.

OPLEIDING

- Lees de instructies aandachtig door. Maak u vertrouwd met de bedieningsknoppen en het juiste gebruik van de machine.
- Kinderen of personen die de instructies niet kennen mogen dit apparaat niet gebruiken. De lokale wetgeving kan de leeftijd van de bediener begrenzen.
- Onthoud dat de bediener of gebruiker verantwoordelijk is voor ongevallen of gevaren die zich bij ander personen of hun eigendommen voordoen.

VOORBEREIDING

- Gebruik de machine nooit als er zich mensen, in het bijzonder kinderen of huisdieren, in de buurt bevinden.
- Draag altijd oogbescherming en stevige schoenen wanneer de machine in werking is.

ONDERHOUD EN OPSLAG

- Ontkoppel altijd de machine van de voeding (d.w.z. haal de stekker uit het stopcontact of verwijder het ontkoppelingsmechanisme) alvorens schoon te maken of te onderhouden.
- Gebruik alleen reserve-onderdelen of accessoires die door de fabrikant zijn aanbevolen.
- Controleer en onderhoud de machine regelmatig. Laat de machine alleen door een erkende reparateur repareren.
- Wanneer niet in gebruik, berg de machine op buiten het bereik van kinderen.

ANDERE VEILIGHEIDSWAARSCHUWINGEN

- Vermijd gevaarlijke omgevingen – Gebruik de trimmer niet in een vochtige of natte omgeving.
- Schakel de grastrimmer altijd uit of verwijder het accupack wanneer u de trimmer zonder toezicht achterlaat.
- Gebruik de machine niet als het regent.
- Houd kinderen uit de buurt – Alle omstanders moeten zich op een veilige afstand van het werkgebied bevinden.

- Draag gepaste kleding - Draag geen loshangende kleding of juwelen. Deze kunnen in de bewegende onderdelen vast komen te zitten. Rubber handschoenen en stevig schoeisel worden aanbevolen wanneer u buitenshuis werkt. Bedek lang haar met een haarnet.
- Gebruik een veiligheidsbril – Gebruik altijd een gezichts- of stofmasker als u in een stoffige omgeving werkt.
- Gebruik het gepaste gereedschap - Gebruik het gereedschap alleen waarvoor het is bedoeld.
- Forceer de trimmer niet - De taak zal beter uitgevoerd worden en met minder kans op letsel als het apparaat wordt gebruikt aan de snelheid waarvoor het ontworpen is.
- Reik niet te ver - Zorg er altijd voor dat u stevig en stabiel staat.
- Blijf aandachtig – Let op wat u doet. Gebruik uw gezond verstand. Gebruik de grastrimmer niet als u moe bent.
- Gebruik de trimmer niet als u onder de invloed van alcohol of drugs bent.
- Houd de schermen op hun plaats en in een goede staat.
- Berg de trimmer binnenshuis op - Berg de trimmer op in een droge, hoge of vergrendelde ruimte met het accupack verwijderd, en buiten het bereik van kinderen wanneer niet in gebruik.
- Draag zorg voor uw trimmer - Houd het snijelement schoon voor de beste prestaties en om het risico op letsel te beperken. Volg de instructies over het vervangen van accessoires. Houd de handvatten droog, schoon en vrij van olie en smeervet.
- Controleer op beschadigde onderdelen - Voordat u de beschadigde trimmer, een scherm of een ander beschadigd onderdeel verder gebruikt, controleer deze grondig om na te gaan of het gereedschap juist zal werken en zijn bedoelde functie zal uitvoeren. Controleer op de uitlijning van de bewegende onderdelen, de verbinding van de bewegende onderdelen, breuk van onderdelen of andere condities die de werking kunnen beïnvloeden. Laat een beschadigd scherm of ander onderdeel op een juiste wijze repareren of vervangen door een bevoegd servicecentrum tenzij anders aangegeven in deze gebruiksaanwijzing.
- Voor gebruik, verwijder alle mogelijke obstakels uit de te maaien zone. Verwijder voorwerpen zoals rotsen, gebroken glas, nagels, draad of koorden, die opgegooid kunnen worden of in het snijelement terecht kunnen komen. Houd andere personen en huisdieren op een afstand van minstens 15m.
- Voordat u de machine gebruikt en na een val, controleer deze op tekenen van schade of slijtage en laat repareren indien nodig.
- Houd de trimmer altijd stevig vast, met beide handen op de handvatten, wanneer in werking. Sla uw vingers en duimen om de handvatten.
- Voorkom ongewenst starten – Draag de trimmer niet met uw vingers op de trekker.
- Gebruik de trimmer niet in een explosieve atmosfeer of in een ruimte waar aardolie aanwezig is. De motor in dit apparaat kan vonken produceren. Deze vonken kunnen dampen in brand steken.
- Raak de bewegende gevaarlijke onderdelen niet aan voordat u de machine hebt uitgeschakeld (of de accu uit de machine hebt gehaald) en de bewegende gevaarlijke onderdelen volledig tot stilstand gekomen zijn.
- Schade aan de trimmer – Als u een vreemd voorwerp met de trimmer raakt of als de trimmer vast komt te zitten, schakel het gereedschap onmiddellijk uit, haal het accupack uit de grastrimmer, controleer op schade en laat het gereedschap repareren voordat u het opnieuw gebruikt. Gebruik het apparaat niet met een beschadigd scherm of spoel.
- Als het gereedschap abnormaal trilt, stop de motor, haal het accupack uit de grastrimmer en zoek onmiddellijk naar de oorzaak. Trilling wijst vaak op een storing. Een losse kop kan trillen, barsten, breken of van de trimmer los komen, wat tot ernstig letsel of de dood kan leiden. Zorg dat het snijelement juist op zijn positie is vastgemaakt. Als de kop na bevestiging op de juiste positie loskomt, vervang het onmiddellijk. Gebruik nooit een trimmer met een los snijelement.
- Vervang een gebarsten, beschadigde of versleten snijkop onmiddellijk, zelfs al is de schade beperkt tot oppervlakkige barstjes. De snijkop kan tegen hoge snelheid uiteenspatten en tot ernstig letsel of de dood leiden.
- Controleer het snijelement regelmatig tijdens de werking of onmiddellijk na een duidelijke wijziging in de snijprestaties.

- Gebruik alleen door EGO™ geautoriseerde polymeer trimmerdraad accessoires en trimmerdraad welke zijn ontworpen voor het gebruik met dit gereedschap. Alhoewel bepaalde niet erkende toebehoren op de EGO™ grastrimmer gemonteerd kunnen worden, kan het gebruik ervan tot ernstig letsel, de dood of schade aan het gereedschap veroorzaken.
- Om het risico op ernstig letsel te beperken, gebruik nooit metaal versterkt draad of ander materiaal in plaats van het nylon trimmerdraad. Stukken draad kunnen losbreken en tegen een hoge snelheid naar de gebruiker of omstanders worden geslingerd.
- Om het risico op letsel door controleverlies te voorkomen, werk nooit op een lader of andere onveilige steun. Houd het snijelement nooit boven uw middel.
- Als er zich situaties voordoen die niet in deze handleiding zijn behandeld, gebruik uw gezond verstand. Neem contact op met het EGO servicecentrum voor bijstand.
- Laad het accupack niet op als het regent of in een natte omgeving.
- Gebruik het gereedschap alleen met onderstaand vermelde accupacks en laders:

BATTERIJ	LADER
BA1 120E, BA2240E, BA2800, BA3360, BA4200	CH5500E, CH2100E

- Haal het accupack uit het apparaat alvorens het apparaat af te danken.
- Gooi het accupack op een veilige manier weg.
- Gooi het accupack niet in vuur. De cellen kunnen ontploffen. Raadpleeg de lokale wetgeving voor eventuele speciale verwijderingsvoorschriften.
- Open of beschadig de batterij niet. Vrijgekomen elektrolyt is corrosief en kan schade aan de ogen en huid veroorzaken. Het kan giftig zijn wanneer het wordt ingeslikt.
- Wees voorzichtig wanneer u accupacks gebruikt. Sluit het accupack nooit kort met geleidende materialen zoals ringen, armbanden of sleutels. Het accupack of de geleider kan oververhitten en brandwonden veroorzaken.
- Bij reparatie mag u uitsluitend identieke EGO™ reserve-onderdelen gebruiken. Het gebruik van andere accessoires of opzetstukken kunnen het risico op letsel verhogen.

- Accugereedschap moet niet op een stopcontact worden aangesloten en kan aldus altijd onmiddellijk gebruikt worden. Let voor mogelijke gevaren, zelfs wanneer het gereedschap niet in werking is. Let op wanneer u onderhoud op het gereedschap uitvoert.
- Reinig het gereedschap niet met een slang. Zorg dat de motor of elektrische componenten niet met water in aanraking komen.
- Bewaar deze handleiding. Raadpleeg de gebruikershandleiding indien nodig en gebruik deze om andere personen die dit apparaat zullen gebruiken te onderrichten. Als u dit apparaat aan iemand anders geeft, geef hem/haar dan in ieder geval ook de gebruikershandleiding mee om verkeerd gebruik en/of mogelijk letsel te voorkomen.
- Draag altijd gepast schoeisel en een lange broek tijdens het gebruik van de machine.
- Let op een goede houding als u op hellingen werkt en wandel, ren niet.

BEWAAR DEZE GEBRUIKSAANWIJZING!

SPECIFICATIES

Spanning	56 V ---	
Snelheid zonder belasting	5200-6500 /min	
Snijmechanisme	Aantikkop	
Type snijdraad	AL0802 2.0mm Nylon draai lijn	
Snijbreedte	33 cm	
Gewicht (zonder accupack)	2,76 kg	
Gemeten geluidsvermogensniveau L_{WA}	89,25 dB(A) K=2,5 dB(A)	
Maximale geluidsdruk niveau aan het oor van de bediener L_{PA}	75,2 dB(A) K=2,5 dB(A)	
Gegarandeerd geluidsvermogensniveau L_{WA} (gemeten volgens 2000/14/EG)	93 dB(A)	
Vibratie a_h	Voorste handvat	2,134 m/s^2 K=1,5 m/s^2
	Achterste handvat	1,231 m/s^2 K=1,5 m/s^2

- De opgegeven totale vibratiewaarde is gemeten volgens de standaard testmethode en kan worden gebruikt om het apparaat met een ander apparaat te vergelijken;

- De opgegeven totale vibratiewaarde kan ook worden gebruikt in een voorafgaande beoordeling op blootstelling.

MEDEDELING: De vibratie-afgifte tijdens het werkelijk gebruik van het elektrisch gereedschap kan verschillen van de opgegeven totale waarde; Om de bediener te beschermen dient de gebruiker tijdens het gebruik handschoenen en gehoorbescherming te dragen.

INHOUD VAN DE VERPAKKING

NAAM ONDERDEEL	AANTAL
Grastrimmer	1
Scherf	1
Voorste handvat	1
Inbussleutel	1
Gebruikershandleiding	1

NL

BESCHRIJVING

KEN UW GRASTRIMMER (afb. A)

- Schakelaar
- Achterste handvat
- Ontgrendelingshendel
- Schakelaar voor het aanpassen van de snelheid
- Zachte hoesbekleding
- Aanpasbare voorste handvat
- Aantikkop (snijkop)
- Aantikknop
- Mes voor het snijden van de draad
- Scherf
- Uitwerpmechanisme
- Elektrische contacten
- Vergrendeling
- Accuvrijgaveknop

MONTAGE

WAARSCHUWING: Als er onderdelen beschadigd zijn of ontbreken, gebruik dit product niet totdat alle onderdelen vervangen of aanwezig zijn. Dit product gebruiken met beschadigde of ontbrekende onderdelen kan ernstig persoonlijk letsel veroorzaken.

WAARSCHUWING: Probeer niet om dit product aan te passen of accessoires te maken die niet voor gebruik met deze grastrimmer zijn aanbevolen. Een dergelijke aanpassing of wijziging is verkeerd en kan leiden tot gevaar en een ernstig persoonlijk letsel.

WAARSCHUWING: Om het toevallig starten van het apparaat, dat ernstig persoonlijk letsel kan veroorzaken, te voorkomen, verwijder altijd de accu uit het apparaat voordat u onderdelen monteert.

DE BESCHERMING MONTEREN

WAARSCHUWING: Draag altijd handschoenen wanneer u het scherm monteert of vervangt. Let op voor het mes op het scherm zodat u geen letsel oploopt.

WAARSCHUWING: Gebruik het gereedschap nooit zonder juist gemonteerd scherm. Het scherm moet zich altijd op het gereedschap bevinden om de gebruiker te beschermen! Als het scherm is vastgemaakt, verwijder of pas het scherm nooit aan. Als het scherm aan vervanging toe is, laat het vervangen door een bekwame onderhoudstechnicus!

MaaK de twee combinatieschroeven los en verwijder ze van de asbasis (afb. B). Breng het scherm boven de montagegaten en bevestig het scherm vervolgens met de twee schroeven aan de asbasis. Zorg ervoor dat het scherm volgens afb. B & C is bevestigd; een andere bevestiging kan groot gevaar veroorzaken!

HET VOORSTE HANDVAT MONTEREN EN AANPASSEN

Druk het voorste handvat op de schacht (afb. E), plaats vervolgens het klemblok in de handvatsleuf (afb. F), bevestig de vergrendelingsstang, vergrendel hem met de vleugelmoer (afb. G). De volgorde is zoals weergegeven in afb. D. Tenslotte stelt u de positie van het voorste handvat in, waardoor uw voorste arm recht is als u de grastrimmer (afb. H) gebruikt en vergrendel de hendel om de stang te vergrendelen (afb. I).

Afb. D & H beschrijving van de onderdelen zie beneden:

D-1	Voorste handvat	D-4	Vleugelmoer
D-2	Vergrendelingsstang	H-1	Zachte hoesbekleding
D-3	Klemblok	H-2	Waarschuwinglabel

OPMERKING: Het voorste handvat moet naar boven gericht zijn om naar het de bovenkant van het handvat te wijzen.

WAARSCHUWING: Bevestig het voorste handvat alleen vóór de zachte hoesbekleding op de as.

⚠ WAARSCHUWING: Het gereedschap kan niet worden gebruikt als het voorste handvat niet goed bevestigd is.

BEDIENING

⚠ WAARSCHUWING: Vertrouwdheid kan leiden tot onvoorzichtigheid. Opgelet, één seconde van onvoorzichtigheid kan ernstig letsel teweegbrengen.

⚠ WAARSCHUWING: Draag altijd een veiligheidsbril met zijschermen. In combinatie met gehoorbescherming. Het niet dragen van deze beschermingsuitrusting kan ertoe leiden dat voorwerpen in uw ogen terechtkomen of kan een ander ernstig letsel veroorzaken.

⚠ WAARSCHUWING: Gebruik geen opzetstukken of toebehoren die niet door de fabrikant van dit product zijn aanbevolen. Het gebruik van niet aanbevolen opzetstukken of toebehoren kan leiden tot ernstig persoonlijk letsel.

⚠ WAARSCHUWING: Gebruik uw grastrimmer alleen met de gepaste snijdraad specifiek voor het maaien van gras en gelijksoortig materiaal.

U kunt dit product gebruiken voor onderstaand vermelde doeleinden:

Trimmen: wordt gebruikt voor het verwijderen van gras en onkruid langs muren, hekken, bomen en perken.

Snijden: wordt gebruikt voor het maaien van gras dat moeilijk te bereiken is met een normale grasmaaier.

OPMERKING: Het gereedschap mag alleen voor het voorheen genoemde doeleinde worden gebruikt. Ieder ander gebruik, bijvoorbeeld het trimmen van randen, is in dit geval misbruik

HET ACCUPACK INSTALLEREN/VERWIJDEREN

Voor de eerste ingebruikname volledig opladen.

Voor het installeren

Breng de geleiders van de accu overeen met de montagesleuven en druk het accupack naar beneden totdat u “Klik” hoort. (Fig J)

Verwijderen

Druk de accu-ontgrendelingsknop naar beneden en trek het accupack eruit zoals weergegeven in afb. K.

DE GRASTRIMMER VASTHOUDEN

⚠ WAARSCHUWING: Draag gepaste kleding om het risico op letsel tijdens gebruik van dit gereedschap te beperken. Draag geen loshangende kleding of juwelen. Draag oog- en oorbescherming. Draag een stevige lange broek, laarzen en handschoenen. Draag geen korte broek, sandalen of ga niet blootsvoets.

Voor het gebruik dient u de trimmer met beide handen vast te houden, één hand aan het achterste handvat en de andere hand aan het voorste handvat, waarbij de arm recht moet zijn (afb. L). Let vervolgens op een goede stand en een goede maai-afstand zonder naar voren gebukt te staan.

DE GRASTRIMMER STARTEN/STOPPEN

Starten

Duw de ontgrendelingshendel in en houd deze in positie. Haal de trekker over om de grastrimmer in te schakelen zoals weergegeven in afb. M.

Stoppen

Laat de ontgrendelingshendel en de schakelaar los.

OPMERKING: De motor heeft twee snelheden om te maaien, positie “1” voor een lagere snelheid en positie “2” voor een hogere snelheid, zoals weergegeven in afb. M. Druk de schakelaar voor de snelheid gewoon tijdens het maaien op de gewenste positie.

Afb. M beschrijving van de onderdelen zie beneden:

M-1	Positie 1
M-2	Positie 2

⚠ WAARSCHUWING: Haal altijd het accupack uit de grastrimmer wanneer u een pauze inlast of na gebruik van het gereedschap.

DE GRASTRIMMER GEBRUIKEN

⚠ WAARSCHUWING: Om ernstig persoonlijk letsel te voorkomen, draag altijd een veiligheidsbril wanneer u dit gereedschap gebruikt. Draag een gezichts- of stofmasker in geval van een stoffige omgeving.

Voor gebruik, verwijder alle mogelijke obstakels uit de te maaien zone. Verwijder voorwerpen zoals rotsen, gebroken glas, nagels, draad of koorden, die opgegooid kunnen worden of in het snijelement terecht kunnen komen. Zorg dat er zich geen kinderen, omstanders of huisdieren in de omgeving bevinden. Houd kinderen, omstanders en huisdieren op een afstand van minstens 15m; er is nog altijd risico op het wegslingeren van voorwerpen richting omstanders. Omstanders worden aangespoord om oogbescherming te dragen. Als iemand in de buurt komt, stop de motor en het snijelement onmiddellijk.

Voor elk gebruik, controleer op beschadigde/versleten onderdelen

Controleer de slijnkop, scherm en voorste handvat en vervang de onderdelen die gebarsten, scheef getrokken, gebogen of beschadigd zijn.

Het mes voor het snijden van de draad op de rand van het scherm kan na verloop van tijd bot worden. Het is aanbevolen om het mes regelmatig met een vijl te slijpen of door een nieuw mes te vervangen.

WAARSCHUWING: Draag altijd handschoenen wanneer u het scherm monteert of het mes slijpt of vervangt. Let op voor het mes op het scherm zodat u geen letsel oploopt.

Maak de trimmer na elk gebruik schoon.

OPGELET: Belemmeringen in de ventilatieopeningen beletten de aanvoer van lucht in de motorbehuizing. Dit kan oververhitting of schade aan de motor veroorzaken.

- Maak het gereedschap alleen schoon met een vochtige doek en milde zeep. Zorg dat er geen vloeistof het gereedschap binnendringt. Dompel nooit een deel van het gereedschap in een vloeistof.
- Houd de luchtopeningen in de motorbehuizing en de schacht op elk moment vrij van vuil

WAARSCHUWING: Maak uw grastrimmer nooit schoon met water. Maak de kunststof onderdelen niet schoon met oplosmiddelen. De meeste kunststoffen kunnen door verschillende soorten van commercieel beschikbare oplosmiddelen schade oplopen. Gebruik een schone doek voor het verwijderen van vuil, stof, olie, smeer, etc.

DE LENGTE VAN DE SNIJDRAAD AANPASSEN

De aantiknop stelt de bediener in staat om meer snijdraad vrij te geven zonder de motor te moeten stoppen. Als de snijdraad uitgerafeld of versleten raakt, geef extra draad vrij door de aantiknop tijdens gebruik van de trimmer voorzichtig tegen de grond te tikken (zie afb. N).

OPMERKING: Het vrijgeven van draad wordt moeilijker naarmate de draad korter wordt.

WAARSCHUWING: Verwijder of pas de draadsnijder niet aan. Een te lange snijdraad zal de motor oververhitten wat tot ernstig persoonlijk letsel kan leiden.

DE DRAAD VERVANGEN

WAARSCHUWING: Gebruik nooit metaal versterkte draad, koord of touw, etc. Deze kan afbreken en een gevaarlijk projectiel worden.

U kunt de snijdraad op twee manieren vervangen:

1. Wikkel nieuwe draad op de spoel.
2. Installeer een reeds opgewikkelde spoel (AS1300, AS1301, AS1302, indien nodig verkrijgbaar bij uw handelaar).

Nieuwe draad op de spoel wikkelen

Druk op de twee klemcontacten op de basis van de spoel en trek de vastzetting van de spoel eruit (afb. O). Haal circa 7m nieuwe snijdraad eruit. Vouw hem en draai hem op de spoel zoals getoond in afb. P & Q. Plaats vervolgens de uiteinden van de draad in de twee tegenover elkaar liggende knopen in de spoel (afb. R) en plaats de spoel in de houder met de inkepingen tegenover de bevestigings-sogen (afb. T). Tenslotte plaatst u de bevestigingsleuven met de tabs op de spoelbasis en drukt u de houder gelijkmatig naar beneden, waardoor u ervoor zorgt dat hij op zijn plek vast klikt (afb. S).

OPMERKING: Maak altijd de vastzetting, spoel en basis schoon voordat u de slijnkop terugplaatst. Controleer de vastzetting, spoel en basis op slijtage. Indien nodig, vervang de versleten onderdelen.

OPMERKING: Als de draad niet in de aangegeven richting wordt opgewikkeld, zal de slijnkop verkeerd werken.

Een spoel die vooraf met draad is gewikkeld installeren

Druk op de twee klemcontacten op de basis van de spoel en trek de vastzetting van de spoel eruit (afb. O). Plaats vervolgens de vooraf opgewikkelde spoel in de houder met de inkepingen tegenover de houderogen (afb. T). Tenslotte plaatst u de bevestigingsleuven met de tabs op de spoelbasis en drukt u de houder gelijkmatig naar beneden, waardoor u ervoor zorgt dat hij op zijn plek vast klikt (afb. S).

Afb. S & T beschrijving van de onderdelen zie beneden:

S-1	Klemcontact	T-1	Inkeping
S-2	Gleuf	T-2	Oogje

OPMERKING: Zorg dat de contactklemmen op de basis op hun plaats klikken anders zal de spoel tijdens de werking loskomen.

ONDERHOUD

⚠ WAARSCHUWING: Bij reparatie, gebruik uitsluitend identieke reserve-onderdelen. Controleer en onderhoud de machine regelmatig. Laat alle reparaties uitvoeren door een vakbekwame reparateur om een continue veiligheid en betrouwbaarheid te waarborgen.

⚠ WAARSCHUWING: Accugereedschap moet niet op een stopcontact worden aangesloten en kan aldus altijd onmiddellijk gebruikt worden. Om ernstig persoonlijk letsel te voorkomen, neem extra voorzorgsmaatregelen wanneer u het snijelement of andere accessoires onderhoudt, reinigt of wijzigt.

⚠ WAARSCHUWING: Om ernstig persoonlijk letsel te voorkomen, haal het accupack uit het gereedschap voor onderhoud, reiniging, het wijzigen van accessoires of het verwijderen van materiaal.

HET APPARAAT SCHOONMAKEN

- Maak het apparaat schoon met een vochtige doek en mild schoonmaakmiddel.
- Maak de kunststof behuizing of handvat niet schoon met een agressief schoonmaakmiddel. Deze kunnen door bepaalde aromatische oliën, zoals pijnboom en citroen, en oplosmiddelen, zoals kerosine, worden beschadigd. Vocht kan risico op elektrische schokken met zich meebrengen. Veeg eventueel vocht weg met een zachte en droge doek.
- Maak de ventilatieopeningen van de achterste behuizing schoon met een kleine borstel om ze van obstakels te ontdoen.

HET APPARAAT OPBERGEN

- Verwijder het accupack van de grastrimmer wanneer niet in gebruik.
- Maak het gereedschap grondig schoon voordat u het opbergt.
- Berg het apparaat op in een droge, goed geventileerde en afsluitbare ruimte of op een hoge hoogte en buiten het bereik van kinderen. Berg het apparaat niet op in de buurt van meststoffen, benzine of andere chemicaliën.

Het milieu beschermen



Gooi geen elektrische apparaten, acculaders en accu's/oplaadbare batterijen met het huisafval weg!

Elektrische en elektronische apparaten, in overeenstemming met de Europese wet 2012/19/EG, en defecte of verbruikte accupacks/batterijen, in overeenstemming met 2006/66/EG, moeten afzonderlijk worden ingezameld.

Als elektrische apparaten op een stortterrein of vuilnisbelt terechtkomen, kunnen gevaarlijke stoffen in het grondwater lekken en in de voedselketen komen wat schadelijk is voor uw gezondheid en welzijn.

EG CONFORMITEITSVERKLARING



Wij, CHERVON EUROPE LTD.

47 CASTLE STREET, READING, RG1 7SR, UNITED KINGDOM

Verklaren dat het product **56V lithium-ion accu grastrimmer ST1300E** voldoet aan de essentiële gezondheids- en veiligheidsvoorschriften van de volgende richtlijnen:

2006/42/EG, 2014/30/EU, 2011/65/EU, 2000/14/EG

Standaarden en technische specificaties waaraan wordt gerefereerd:

EN 60335-1, EN 50636-2-91, EN ISO 11806-1, EN ISO 12100, EN 62233, EN 55014-1, EN 55014-2

Gemeten geluidsvermogensniveau: 89,25 dB(A).

Gewaarborgd geluidsvermogensniveau: 93 dB(A).

Peter Melrose
Vice president van Chervon Europe

Dong Jianxun
Kwaliteitsmanager van Chervon

* (Gautoriseerde vertegenwoordiger voor CHERVON en verantwoordelijk voor de technische documentatie)

01/04/2016

PROBLEEMOPLOSSING

PROBLEEM	OORZAAK	OPLOSSING
Accugrastrimmer- start niet.	<ul style="list-style-type: none"> ■ Het accupack is niet met de grastrimmer verbonden. ■ Er is geen elektrisch contact tussen de grastrimmer en accu. ■ Het accupack is uitgeput. ■ De ontgrendelingshendel en trekker zijn niet gelijktijdig ingedruwd. 	<ul style="list-style-type: none"> ■ Verbind het accupack met de grastrimmer. ■ Verwijder het accupack, controleer de aansluitklemmen en plaats het accupack terug. ■ Laad het accupack op. ■ Om de grastrimmer te starten, duw de ontgrendelingshendel omlaag en houd op deze positie. Duw vervolgens de trekker in.
Accugrastrimmer- stopt tijdens het maaien.	<ul style="list-style-type: none"> ■ Het scherm is niet op de grastrimmer gemonteerd waardoor de snijdraad te lang is en de motor oververhit raakt. ■ Er wordt zware snijdraad gebruikt. ■ De motoras of snijkop zit vol met gras. ■ De motor is overbelast. ■ Het accupack of de grastrimmer is te warm. ■ Het accupack is niet met het gereedschap verbonden. ■ Het accupack is uitgeput. 	<ul style="list-style-type: none"> ■ Verwijder het accupack en monteer het scherm op de trimmer. ■ Gebruik alleen nylon snijdraad met een diameter van max. 2,0mm. ■ Stop de grastrimmer, haal het accupack uit en verwijder het gras van de motoras en snijkop. ■ Verwijder het gras uit de snijkop. De motor werkt opnieuw zodra het gras is verwijderd. Beweeg de snijkop tijdens het maaien in en uit het gras en verwijder niet meer dan 20cm gras in één maaibeurt. ■ Laat het accupack of de trimmer afkoelen totdat de temperatuur lager dan 67°C is. ■ Installeer het accupack opnieuw. ■ Laad het accupack op.

PROBLEEM	OORZAAK	OPLOSSING
De draad wordt niet door de snijkop vrijgegeven.	<ul style="list-style-type: none"> ■ De motoras of snijkop zit vol met gras. ■ Er is onvoldoende draad op de spoel. ■ De snijkop is vuil. ■ Draad zit vast in de spoel. ■ De draad is te kort. 	<ul style="list-style-type: none"> ■ Stop de grastrimmer, haal het accupack uit en verwijder het gras van de motoras en snijkop. ■ Verwijder het accupack en vervang de snijdraad volgens de sectie "DE DRAAD VERVANGEN" in deze handleiding. ■ Verwijder het accupack en maak de spoel, vastzetting en basis schoon. ■ Verwijder het accupack en verwijder de snijdraad van de spoel en wikkel op, volgens de sectie "DE DRAAD VERVANGEN" in deze handleiding. ■ Verwijder het accupack en trek aan de draden terwijl de aantikknop afwisselen wordt ingeduwd en losgelaten.
Gras wordt om de snijkop en motorbehuizing gewikkeld.	<ul style="list-style-type: none"> ■ Lang gras wordt op grondniveau gemaaid. 	<ul style="list-style-type: none"> ■ Maai lang gras van boven naar onder en verwijder niet meer dan 20cm per maaibeurt om omwikkeling te voorkomen.
Draad wordt niet goed afgeknipt.	<ul style="list-style-type: none"> ■ Het mes voor het snijden van de draad op de rand van het scherm is bot. 	<ul style="list-style-type: none"> ■ Slijp het mes met behulp van een vijl of vervang het door een nieuwe.

GARANTIE

EGO GARANTIEVOORWAARDEN

Bezoek onze website egopowerplus.com voor alle voorwaarden van de EGO garantie.

LÆS ALLE ANVISNINGER!



LÆS & FORSTÅ BRUGSANVISNING

⚠ Særlig risikol! Folk med elektroniske anordninger, såsom pacemakere, bør spørge deres læge til råds, før de bruger dette produkt. Betjening af elektrisk udstyr i umiddelbar nærhed af en pacemaker kan forårsage forstyrrelser eller svigt af pacemakeren.

⚠ ADVARSEL: For at sikre sikkerhed og pålidelighed, bør alle reparationer og udskiftninger udføres af en kvalificeret servicetekniker.

SIKKERHEDSSYMBOLER

Formålet med sikkerhedssymboler er at gøre dig opmærksom på mulige farer. Du bør være meget opmærksom på sikkerhedssymbolerne og forklaringer til dem og lære at forstå dem. Symboladvarslar fjerner ikke i sig selv eventuelle farer. Anvisningerne og advarslerne er ingen erstatning for korrekte forebyggelsesforanstaltninger mod ulykker.

⚠ ADVARSEL: Sørg for at læse og forstå alle sikkerhedsanvisninger i denne brugsanvisning, inklusive alle sikkerhedssymboler, såsom "FARE", "ADVARSEL" og "FORSIGTIG", før du bruger dette værktøj. Hvis du ikke følger advarslar og anvisninger, kan det resultere i elektrisk stød, brand og/eller alvorlig personskade.

SYMBOLBETYDNING

SYMBOL FOR SIKKERHEDSVARSEL: Angiver FARE, ADVARSEL eller FORSIGTIG. Kan anvendes i kombination med andre symboler eller piktogrammer.



⚠ ADVARSEL: Brugen af et elværktøj kan resultere i, at du får fremmedlegemer i øjnene, hvilket kan give alvorlige øjenskader. Inden du begynder at bruge et elværktøj, skal du altid bære beskyttelsesbriller eller sikkerhedsbriller med sidebeskyttelse og om nødvendigt en fuld ansigtsmaske. Vi anbefaler en maske med bredt udsyn til brug over briller eller standardsikkerhedsbriller med sidebeskyttelse.

SIKKERHEDSANVISNINGER

Denne side viser og beskriver sikkerhedssymboler, der kan forekomme på dette produkt. Læs, forstå, og følg alle anvisninger på apparatet, før du forsøger at samle og betjene det.

	Sikkerhedsvarsel	Forholdsregler omkring din sikkerhed.
	Læs brugsanvisningen	For at nedsætte risikoen for personskade, skal brugeren læse og forstå brugsanvisningen, før dette produkt tages i brug.
	Bær beskyttelsesbriller	Bær altid beskyttelsesbriller eller sikkerhedsbriller med sidebeskyttelse og om nødvendigt en fuld ansigtsmaske.
	Brug høreværn	Bær altid høreværn, når du betjener dette produkt.
	Diameter af snor	Diameteren af nylontrimmersnoren
	Trimmebredde	Græstrimmerens maks. klippebredde
	Ingen kniv	Installer ikke metal eller plast kniv
	Må ikke udsættes for regn	Må ikke anvendes i regnvej eller efterlades udendørs, mens det regner.
	Hold omkringstående på afstand	Sørg for, at andre mennesker og kæledyr står mindst 15m væk fra græstrimmeren, når den er i brug.
	Hold omkringstående på afstand	Sørg for, at andre mennesker og kæledyr står mindst 15m væk fra græstrimmeren, når den er i brug.
V	Volt	Spænding
A	Ampere	Strøm
Hz	Hertz	Frekvens (cyklusser pr. sekund)
W	Watt	Effekt
min	Minutter	Tid
	Vekselstrøm	Type spænding

	Jævnstrøm	Type af eller egenskab for strøm
η_0	Hastighed uden belastning	Rotationshastighed uden belastning
... /min	Pr. minut	Omdrejninger pr. minut

- Anvend aldrig apparatet med defekte kapper eller skærme eller uden kapper eller skærme monteret.
- Tænd kun for motoren, når hænder og fødder er væk fra trimmerdelen.
- Afbryd altid apparatet fra strømforsyningen (dvs. tag stikket ud af stikkontakten, eller udløs stopanordningen).
 - Når apparatet forlades uden opsyn.
 - Før en blokering fjernes.
 - Før apparatet kontrolleres, rengøres eller der udføres arbejde på det.
 - Efter at have ramt et fremmedlegeme.
 - Når apparatet begynder at vibrere unormalt.
- Pas på skade på hænder og fødder fra trimmerdelen.
- Sørg altid for, at ventilationsåbningerne holdes fri for snavs og skidt.

VIGTIGE SIKKERHEDSANVISNINGER

⚠ ADVARSEL: Ved brug af græstrimmere skal grundlæggende sikkerhedsprocedurer altid følges for at reducere risikoen for brand, elektrisk stød og personskade, herunder følgende:

LÆS GRUNDIGT INDEN BRUG

GEM TIL SENERE BRUG.

⚠ FARE: Stol ikke på værktøjets isolering mod elektrisk stød. For at reducere risikoen for en elektricitetsulykke skal man aldrig betjene apparatet i nærheden af nogen form for ledninger eller kabler (stærkstrøm etc.), som kan være strømførende.

⚠ FORSIGTIG: Brug egnet personligt høreværn under brug. Under visse betingelser og afhængigt af varigheden af brug kan støj fra dette produkt bidrage til høretab.

UNDERVISNING

- Læs anvisningerne grundigt igennem. Bliv fortrolig med alle knapper og håndtag og den korrekte brug af apparatet.
- Lad aldrig personer, der ikke kender disse anvisninger, eller børn til at bruge apparatet. Lokale forskrifter kan sætte aldersgrænser for en operatør.
- Husk, at operatøren eller brugeren er ansvarlig, hvis andre personer eller andres ejendom udsættes for ulykke eller fare.

FORBEREDELSE

- Brug aldrig apparatet, mens folk, især børn, eller kæledyr er tæt på.
- Bær altid øjenbeskyttelse og solide sko, mens du betjener apparatet.
- Afstanden mellem apparatet og omkringstående skal være mindst 15m.
- Brug ikke metalknive.

BETJENING

- Brug kun apparatet i dagslys eller godt kunstigt lys.

VEDLIGEHOLDELSE OG OPBEVARING

- Afbryd apparatet fra strømforsyningen (dvs. tag stikket ud af stikkontakten, eller udløs stopanordningen), før udførelse af vedligeholdelse eller rengøring.
- Brug kun fabrikantens anbefalede reservedele og tilbehør.
- Efterse og vedligehold apparatet regelmæssigt. Få kun apparatet repareret af en autoriseret reparatør.
- Når apparatet ikke er i brug, opbevar maskinen utilgængeligt for børn.

ANDRE SIKKERHEDSADVARSLER

- Undgå farlige omgivelser – Brug ikke trimmere på fugtige eller våde steder.
- Sluk altid for græstrimmeren, eller fjern batteripakken, når trimmeren forlades uden opsyn.
- Må ikke anvendes i regn.
- Hold børn på afstand – Alle omkringstående skal holdes i god afstand af arbejdsområdet.
- Korrekt påklædning – Bær ikke løst tøj eller smykker. De kan blive fanget i bevægelige dele. Brug af gummihandsker og solidt fodtøj anbefales, når der arbejdes udendørs. Brug håret til langt hår.
- Brug sikkerhedsbriller – Brug altid en ansigts- eller støvmaske, hvis arbejdet er støvet.
- Brug det rigtige værktøj – Brug ikke værktøjet til noget job ud over det, som det er beregnet til.
- Tving ikke trimmeren – Den vil gøre arbejdet bedre og med mindre sandsynlighed for skade ved den hastighed, som den er designet til.

- Læn dig ikke for langt frem – Hav hele tiden ordentligt fodfæste, og vær i balance.
- Vær opmærksom, se, hvad du laver. Brug din sunde fornuft. Brug ikke trimmeren, når du er trætt.
- Brug ikke trimmeren, hvis du er trætt eller er påvirket af narkotika, alkohol eller medicin.
- Hold kapper på plads og i orden.
- Opbeva trimmeren indendørs – Når du ikke bruger trimmeren skal den opbevares indendørs på et tørt og aflåst op sted med batteripakken fjernet – utilgængeligt for børn.
- Vedligehold trimmeren omhyggeligt – Hold trimmerdelen ren, så yder den bedst, og man mindsker risikoen for skader. Følg anvisningerne for udskiftning af tilbehør. Hold håndtag tørre, rene og fri for olie og fedt.
- Kontrollér beskadigede dele – Før yderligere brug af trimmeren, skal en kappe eller en anden del, som er beskadiget, omhyggeligt kontrolleres for at se, om den vil fungere korrekt og udføre sin tilsigtede funktion. Kontrollér, at de bevægelige dele ikke er fejljusterede eller binder eller er i en tilstand, der kan påvirke trimmerens drift. En kappe eller en anden del, der er beskadiget, bør repareres korrekt eller udskiftes af et autoriseret serviceværksted, medmindre andet er angivet i denne vejledning.
- Ryd området, hvor der skal klippes, før hver brug. Fjern alle genstande, såsom sten, glasskår, søm, tråd eller snor, der kan slynges ud eller blive viklet ind i trimmerdelen. Sørg for, at andre personer og kæledyr er mindst 15m væk.
- Før du bruger apparatet, og efter stød, skal du kontrollere for tegn på slid eller skader, og foretage reparation efter behov.
- Hold altid trimmeren fast med begge hænder på håndtagene under arbejdet. Hold fast med fingre og tommelfingre omkring håndtagene.
- Undgå utilsigtet start. – Bær ikke trimmeren med fingrene på startknappen.
- Brug ikke trimmeren i omgivelser med benzinlignende eller eksplosive stoffer. Motorerne i disse apparater udsender normalt gnist, og gnisterne kan antænde dampe.
- Undgå, at røre ved farlige bevægende dele, før maskinen slukkes (eller batteripakken tages ud af maskinen) og de farlige bevægende dele er stoppet helt.
- Skade på trimmeren – Hvis du rammer et fremmedlegeme med trimmeren, eller den bliver filtret ind, så stop omgående værktøjet, og fjern batteripakken fra græstrimmeren. Undersøg for skader, og få eventuelle skader udbedret, før arbejdet forsøges genoptaget. Brug ikke med en beskadiget kappe eller spole.
- Hvis udstyret skulle begynde at vibrere unormalt, så stop motoren, fjern batteriet fra græstrimmeren, og undersøg straks årsagen. Vibrationer er generelt en advarsel om problemer. Et løst hoved kan vibrere, revne, knække eller løse sig fra trimmeren, hvilket kan resultere i alvorlige dødelige kvæstelser. Sørg for, at trimmerdelen er anbragt korrekt og sidder fast. Hvis hovedet løsner sig, efter at det er sat på plads, skal det udskiftes med det samme. Brug aldrig en trimmer med en løs trimmerdel.
- Udskift straks et revnet, beskadiget eller slidt trimmerhoved, selv om skaden er begrænset til overfladiske revner. Sådanne påmonteringer kan splintre ved høj hastighed og forårsage alvorlige skader eller dødsfald.
- Kontrollér regelmæssigt og ofte trimmerdelen, når der arbejdes, eller omgående, hvis der er en mærkbar forandring i måden, hvorpå apparatet trimmer.
- Brug kun polymer tilbehør til trimmersnor og trimmersnor, der er godkendt af EGO™, der er beregnet til brug med dette værktøj. Selv om visse uautoriserede påmonteringer kan påsættes EGO™-græstrimmeren, kan være yderst farligt at anvende dem, og/eller de kan skade værktøjet.
- For at mindske risikoen for alvorlig personskade, så brug aldrig ståltråd eller snor forstærket med metal eller andet materiale i stedet for trimmersnor af nylon. Ståltrådsstykker kunne løse sig og blive kastet ud med høj hastighed mod operatøren eller omkringstående.
- For at mindske risikoen for personskade ved tab af kontrol, skal man aldrig arbejde på en stige eller på ethvert andet usikkert underlag. Hold aldrig trimmerdelen over hofteøjde.
- Hvis der opstår situationer, der ikke er dækket i denne vejledning, så vær forsigtig og brug din gode dømmekraft. Kontakt EGO's servicecenter for at få hjælp.
- Oplad ikke batteripakken i regnvej, eller hvor der er vådt.
- Brug kun med de batteripakker og opladere, der er anført nedenfor:

BATTERI	OPLADER
BA1120E, BA2240E, BA2800, BA3360, BA4200	CH5500E, CH2100E

- Batteripakken skal fjernes fra apparatet, før det kasseres.
- Batteriet skal bortskaffes på en sikker måde.
- Smid ikke batteriet i ilden. Cellerne kan eksplodere. Undersøg de lokale skrifter for eventuelle særlige anvisninger på bortskaffelse.

- Undlad at åbne eller mishandle batteriet. Udsivende elektrolyt er ætsende og kan forårsage skader på øjne eller hud. Det kan være giftigt ved indtagelse.
- Udvis omhu i håndtering af batterier for ikke at kortslutte batteriet med ledende materialer, såsom ringe, armbånd og nøgler. Batteriet eller leder kan blive overophedet og forårsage forbrændinger.
- Ved service må der kun bruges originale reservedele fra EGO. Brug af andet tilbehør eller påmontering kan øge risikoen for skader.
- Batteridrevne værktøjer behøver ikke at være tilsluttet en stikkontakt, derfor er de altid driftsklar. Vær opmærksom på mulige farer, selv når værktøjet ikke arbejder. Vær forsigtig, når du udfører vedligeholdelse eller service.
- Undlad at vaske med en slange; undgå at få vand i motor og elektriske forbindelser.
- Gem disse anvisninger. Brug dem ofte, og brug dem til at instruere andre, der skal bruge dette værktøj. Hvis du låner nogen dette værktøj, så lad dem få anvisningerne med, så de også undgår fejlbrug af produktet og mulig personskade.
- Bær altid kraftigt fodtøj og lange bukser, mens du betjener apparatet.
- Sørg altid for fodfæste på skråninger og at gå i stedet for at løbe.
- Den samlede værdi af angivne vibrationer er målt i overensstemmelse med en standardiseret prøvningsmetode og kan anvendes til at sammenligne et værktøj med et andet
- Den samlede angivne værdi for vibrationer kan også anvendes ved en foreløbig vurdering af eksponeringen.

BEMÆRK: Udsendelsen af vibrationer ved faktisk brug af elværktøjet kan afvige fra den angivne værdi, der hvor værktøjet anvendes. For at beskytte operatøren, bør vedkommende bære handsker og høreværn under de faktiske brugsbetingelser.

PAKKELISTE

DELENS NAVN	ANTAL
Græstrimmer	1
Kappe	1
Montage af forreste hjælpehåndtag	1
Unbrakonøgle	1
Brugsanvisning	1

DK

GEM DISSE ANVISNINGER!

SPECIFIKATIONER

Spænding	56 V $\overline{\text{---}}$	
Hastighed ubelastet	5200-6500 /min	
Trimmemekanisme	Fjederhoved	
Type trimmersnor	AL0802 2.0mm Nylon twist linje	
Trimmebredde	33 cm	
Vægt (uden batteripakke)	2,76 kg	
Målt lydeffektniveau L_{WA}	89,25 dB(A) K=2,5 dB(A)	
Maksimal lydtryk ved brugerens øre L_{PA}	75,2 dB(A) K=2,5 dB(A)	
Garanteret lydeffektniveau L_{WA} (målt i henhold til direktiv 2000/14/EF)	93 dB(A)	
Vibration a_h	Hjælpehåndtag	2,134 m/s ² K=1,5 m/s ²
	Bageste håndtag	1,231 m/s ² K=1,5 m/s ²

BESKRIVELSE

KEND DIN GRÆSTRIMMER (fig. A)

1. startknap
2. bageste håndtag
3. låsehåndtag
4. kontakt til hastighedsregulering
5. blød manchert
6. justerbart forreste hjælpehåndtag
7. fjederhoved (trimmerhoved)
8. fjederknop
9. kniv til afkortning af snor
10. kappe
11. frigørelsesmekanisme
12. elektriske kontakter
13. spærre
14. udløserknap til batteri

MONTERING

⚠ ADVARSEL: Hvis der er dele, der er beskadigede eller mangler, anvendes apparatet ikke, før delene er udskiftet. Brug af dette produkt med beskadigede eller manglende dele kan medføre alvorlig personskade.

⚠ ADVARSEL: Forsøg ikke at ændre dette produkt eller fremstille tilbehør, der ikke anbefales til brug med denne græstrimmer. Enhver sådan ændring eller modifikation er misbrug og kan resultere i en farlig situation, der fører til eventuel alvorlig personskade.

⚠ ADVARSEL: For at forebygge utilsigtet start, der kunne forårsage alvorlig personskade, skal man altid fjerne batteripakken fra produktet, når der monteres dele.

MONTERING AF KAPPE

⚠ ADVARSEL: Brug altid handsker ved montering eller udskiftning af kappen. Vær forsigtig med kniven på kappen, og beskyt din hånd mod at blive skåret.

⚠ ADVARSEL: Brug aldrig værktøjet uden kappen solidt på plads. Kappen skal altid være på værktøjet for at beskytte brugeren! Når kappen er monteret, så forsøg aldrig at fjerne eller tilpasse den; hvis der er behov for udskiftning, skal det gøres af en kvalificeret servicetekniker!

Løsn og fjern de to skruer med kombikærv fra skaffets nederkant (fig. B). Flugt kappens monteringshuller med enhedens huller; sæt derefter kappen fast på skaffets nederkant med de to skruer. Sørg for, at kappen sidder som på fig. B og C. Hvis monteringen gøres omvendt kan det forårsage stor fare!

MONTERING OG JUSTERING AF FORRESTE HJÆLPEHÅNDTAG

Skub forreste hjælpehåndtag på skaffet (fig. E), sæt derefter låseblokken i rillen på håndtaget (fig. F), isæt låsepalen, lås dem med vingemøtrikken (fig. G). Rækkefølgen ses i fig. D. Endelig justeres hjælpehåndtagets stilling, så din forreste arm er strakt, når du bruger trimmeren (fig. H), og lås derefter grebet på låsepalen (fig. I).

Beskrivelse af dele på fig. D og H, se nedenfor:

D-1	Hjælpehåndtag	D-4	Vingemøtrik
D-2	Låsepal	H-1	Blød manchete
D-3	Låseblok	H-2	Advarselmærke

BEMÆRK: Hjælpehåndtaget skal vende, så det peger opad mod toppen af håndtaget.

⚠ ADVARSEL: Fastgør kun hjælpehåndtaget foran den bløde manchete på akslen.

⚠ ADVARSEL: Værktøjet kan ikke bruges uden solid fastgørelse af hjælpehåndtaget.

BETJENING

⚠ ADVARSEL: Selvom du kender dette produkt, så bliv ikke skødesløs. Husk, at skødesløshed i en brøkdelt af et sekund kan forvolde betydelig personskade.

⚠ ADVARSEL: Bær altid beskyttelsesbriller med sidebeskyttelse. Sammen med høreværn. Uden disse kan man blive ramt af genstande, der kastes ind i øjnene eller forårsager andre alvorlige skader.

⚠ ADVARSEL: Anvend ikke påmonteringer eller tilbehør, der ikke anbefales af fabrikanten af dette produkt. Brug af påmonteringer eller tilbehør, der ikke anbefales, kan forårsage alvorlig personskade.

⚠ ADVARSEL: Brug kun din græstrimmer sammen med passende trimmersnor til at trimme græs og lignende.

Du kan bruge dette produkt til de formål, der er nævnt nedenfor:

Trimning: anvendes til at fjerne græs og ukrudt op mod vægge, hegn, træer og skel.

Klipning: anvendes til at klippe græs, der er svært at nå med en almindelig plæneklipper.

BEMÆRK: Værktøjet skal kun bruges til det formål, det er beregnet til. Enhver anden anvendelse, f.eks. kanttrimning, anses for at være et tilfælde af misbrug.

PÅSÆTNING / AFTAGNING BATTERIPAKKEN

Fuld opladning før første brug.

På sætning

Flugt batteriets ribber med monteringsrillerne, og tryk batteripakken ned, indtil du hører et „klik“. (Fig. J)

Aftagning

Tryk på knappen til batteriudløseren, og træk batteripakken ud. Se fig. K.

SÅDAN HOLDES GRÆSTRIMMEREN

⚠ ADVARSEL: Bær rigtig påklædning for at mindske risikoen for skader, når du betjener dette værktøj. Bær ikke løst tøj eller smykker. Bær øjen- og øre- / høreværn. Bær kraftige, lange bukser, støvler og handsker. Gå ikke i korte bukser, sandaler eller på bare fødder.

Før betjening: Hold trimmeren med begge hænder; den ene hånd på det bageste håndtag og den anden på det forreste hjælpehåndtag. Armen skal være strakt (fig. L). Kontrollér så, at du har et godt fodfæste, er i balance og står i korrekt trimmeafstand uden at være fremadlænet.

START / STOP AF GRÆSTRIMMER

Start

Tryk ned på låsehåndtaget og hold det i denne stilling. Tryk på startknappen for at tænde græstrimmeren. Se fig. M.

Stop

Slip låsehåndtag og startknop.

BEMÆRK: Motoren har to trimmehastigheder: Stilling "1" er laveste hastighed, og stilling "2" er højeste hastighed. Se fig. M. Sæt hastighedsknappen på den egnede hastighed før trimning.

Beskrivelse af dele på fig. M, se nedenfor:

M-1	Stilling 1
M-2	Stilling 2

ADVARSEL: Fjern altid batteripakken fra græstrimmeren under pauser, og når arbejdet er slut.

BRUG AF GRÆSTRIMMER

ADVARSEL: For at undgå alvorlig personskade bæres altid beskyttelsesbriller eller sikkerhedsbriller, når denne enhed betjenes. Brug en ansigtsmaske eller støvmaske, hvor der er støvet.

Ryd området, hvor der skal trimmes, før hver brug. Fjern alle genstande, såsom sten, glasskår, søm, tråd, eller linje, der kan slynges eller blive viklet ind i trimmerdelen. Få børn, tilskuerne og kæledyr væk fra området. Hold alle børn, omkringstående og kæledyr mindst 15m væk. Tilskuerne kan stadig være i fare for at blive ramt af genstande, der slynges ud. Omkringstående bør opfordres til at bære øjenbeskyttelse. Hvis nogen nærmer sig, så stop straks motoren og trimmerdelen.

Før hver anvendelse undersøg for skader / slidte dele

Tjek fjederhoved, kappe og fronthjælpehåndtag, og udskift de dele, der er revnede, skævede, bøjedede eller beskadigede på nogen måde.

Snorkniven på kanten af kappen bliver med tiden sløv. Det anbefales regelmæssigt at slibe den med en fil eller udskifte den med en ny kniv.

ADVARSEL: Brug altid handsker ved montering af kappe eller ved slibning eller udskiftning af kniven. Vær forsigtig med kniven på kappen, og beskyt din hånd mod at blive skåret.

Efter hver brug rengøres trimmeren.

ADVARSEL: Forhindringer i ventilationsåbningerne forhindrer luften i at komme ind i motorhuset og forårsager overophedning eller beskadigelse af motoren.

- Brug kun mild sæbe og en fugtig klud til at rengøre værktøjet. Lad aldrig væsker komme ind i værktøjet, nedsænk det aldrig i nogen form for væske.
- Hold altid lufthuller i motorhuset og skaffet fri for snavs og skidt

ADVARSEL: Brug aldrig vand til rengøring af din trimmer. Undgå at bruge opløsningsmidler ved rengøring af plastdele. De fleste plastmaterialer risikerer at blive ødelagt ved brug af forskellige typer af alment tilgængelige opløsningsmidler. Brug rene klude til at fjerne snavs, støv, olie, fedt osv.

JUSTERING AF TRIMMERSNORENS LÆNGDE

Fjederhovedet giver operatøren mulighed for at frigive mere trimmersnor uden at stoppe motoren. Efterhånden som snoren bliver flosset eller slidt, kan man frigive ekstra snor ved at trykke fjederknoppen let mod jorden, mens trimmeren kører (Se fig. N).

BEMÆRK: Frigivelse af snor bliver vanskeligere, når trimmersnoren bliver kortere.

ADVARSEL: Du må ikke fjerne snorkniven eller ændre på den enhed, hvor den sidder. For lang snor vil få motoren til at overophede og kan give i alvorlige personskader.

UDSKIFTNING AF SNOR

ADVARSEL: Brug aldrig metalforstærket snor, ståltråd, reb etc. Disse kan brække af og blive farlige projektiler.

Trimmersnoren kan udskiftes på 2 måder:

1. Spol ny snor på spolen.
2. Isæt en fuld spole (AS1300, AS1301, AS1302, om nødvendigt, fås hos forhandler).

Spol ny snor på spolen.

Tryk på de to løsetappe nederst på spolen, og træk spoleholderen ud (fig. O). Skær ca. 7 m trimmersnor af. Fold snoren, og spol den på spolen. Se fig. P og Q. Derefter puttes snorens ender gennem de to modsatte hak i spolen (fig. R). Spolen sættes i holderen ved at flugte hakkene med holderens øjer (fig. T). Til sidst flugtes holderens riller med tappene på spolens kant, og holderen trykkes lige ned. Sørg for, at holderen klikker på plads (fig. S).

BEMÆRK: Rengør altid spoleholder, spole og spolekant, før trimmerhovedet monteres igen. Undersøg spoleholder, spole og spolekant for slid. Hvis det er nødvendigt, udskiftes slidte dele.

BEMÆRK: Hvis man spoler snoren op i den forkerte retning, vil trimmerhovedet ikke fungere korrekt.

Installér en fuld spole

Tryk på de to løsetappe nederst på spolen, og træk spoleholderen ud (fig. O). Sæt derefter en fuld spole i holderen. Dens hak skal flugte med holderens øjer (fig. T). Til sidst flugtes holderens riller med tappene på spolens kant, og holderen trykkes lige ned. Sørg for, at holderen klikker på plads (fig. S).

Beskrivelse af dele på fig. S og T, se nedenfor:

S-1	Tap	T-1	Hak
S-2	Rille	T-2	Øje

BEMÆRK: Sørg for, at tappene på spolens kant klikker på plads; ellers vil spolen falde ud under arbejdet.

VEDLIGEHOLDELSE

⚠ ADVARSEL: Ved service må der kun bruges originale reservedele. Efterse og vedligehold apparatet regelmæssigt. For at sikre sikkerhed og pålidelighed skal alle reparationer udføres af en kvalificeret servicetekniker.

⚠ ADVARSEL: Batteridrevne værktøjer behøver ikke at være tilsluttet en stikkontakt, derfor er de altid driftsklar. Tag ekstra forholdsregler og udvis forsigtighed, når du udfører vedligeholdelse, service eller skal ændre trimmertilbehør eller andre påmonteringer.

⚠ ADVARSEL: For at undgå alvorlig personskade fjernes batteripakken fra værktøjet før service, rengøring, udskiftning af påmonteringer, eller før der fjernes materiale fra apparatet.

RENGØRING AF APPARATET

- Rengør apparatet med en fugtig klud med et mildt rengøringsmiddel.
- Brug ikke stærke rengøringsmidler på plasthus eller håndtaget. De kan blive beskadiget af visse aromatiske olier, såsom fyr og citron, og opløsningsmidler såsom petroleum. Fugt kan også give elektrisk stød. Tør fugt af med en blød tør klud.
- Brug en lille børste eller luftaftrækket på en lille støvsugerbørste til at rengøre lufthullerne for forhindringer på det bageste hus.

OPBEVARING AF APPARATET

- Fjern batteripakken fra græstrimmeren, når den ikke er i brug.
- Rengør værktøjet grundigt, før det lægges væk.
- Opbevar apparatet på et tørt og godt ventileret sted, der er låst og utilgængeligt for børn. Opbevar ikke apparatet på eller ved siden af gødning, benzin eller andre kemikalier.

Beskyttelse af miljøet

Smid ikke elektrisk udstyr, batterioplader og batterier / genopladelige batterier i affaldsspanden!

Ifølge EU-direktiv 2012/19/EU og EU-direktiv 2006/66/EF skal henholdsvis elektrisk og elektronisk udstyr, der ikke længere er brugbart, og defekte eller brugte batterier / batteripakker indsamles særskilt.

Hvis elektriske apparater smides på lossepladsen eller affaldsdeponier kan der sive giftige stoffer ned i grundvandet og komme ud i fødekæden og gøre skade på menneskers sundhed og velfærd.

EU-OVERENSSTEMMELSESERKLÆRING 

Vi, CHERVON EUROPE LTD.

47 CASTLE STREET, READING, RG1 7SR, UNITED KINGDOM

erklærer, at produktet **56V lithium-ion batteridrevet hækkeklipper ST1300E** er i overensstemmelse med de væsentlige sundheds- og sikkerhedskrav i følgende direktiver:

2006/42/EC, 2014/30/EU, 2011/65/EU, 2000/14/EC

Anførte standarder og tekniske specifikationer:

EN 60335-1, EN 50636-2-91, EN ISO 11806-1, EN ISO 12100, EN 62233, EN 55014-1, EN 55014-2

Målt lydeffektniveau: 89,25 dB(A).

Garanteret lydeffektniveau: 93 dB(A).

Peter Melrose
Visedirektør for Chervon Europa

Dong Jianxun
Kvalitetschef for Chervon

* (Autoriseret repræsentant for CHERVON og ansvarlig for tekniske dokumentationer)

01/04/2016

DK

FEJLFINDING

PROBLEM	ÅRSAG	LØSNING
Græstrimmer starter ikke.	<ul style="list-style-type: none"> ■ Batteripakken er ikke sat på trimmeren. ■ Ingen elektrisk kontakt mellem trimmer og batteri. ■ Batteripakken er afladet. ■ Låsehåndtag og startknappen er ikke blevet trykket ned samtidigt. 	<ul style="list-style-type: none"> ■ Sæt batteripakken på trimmeren. ■ Fjern batteriet, kontrollér kontakter, og sæt batteripakken på igen. ■ Oplad batteripakken. ■ Tryk ned låsehåndtaget ned og hold det, tryk derefter på startknappen for at starte græstrimmeren.
Græstrimmer stopper, mens der trimmes.	<ul style="list-style-type: none"> ■ Kappen er ikke monteret på trimmeren, hvilket resulterer i en alt for lang trimmersnor og overbelastning af motoren. ■ Der anvendes kraftig trimmersnor. ■ Motoraksel eller trimmerhoved er fyldt med græs. ■ Motoren er overbelastet. ■ Batteripakke eller græstrimmer er for varm. ■ Batteripakken er taget af værktøjet. ■ Batteripakken er afladet. 	<ul style="list-style-type: none"> ■ Fjern batteripakken, og sæt kappen på trimmeren. ■ Brug kun med nylonsnor med en diameter på 2,0mm eller mindre. ■ Stop trimmeren, fjern batteriet, og fjern græs fra motoraksel og trimmerhoved. ■ Løft trimmerhovedet op fra græsset. Motoren vil begynde at arbejde igen, så snart belastningen er fjernet. Når der trimmes, flyttes trimmerhovedet ind og ud af græsset, der skal trimmes. Der bør højst fjernes 20cm ad gangen i et enkelt snit. ■ Lad batteripakke eller trimmer køle indtil temperaturen falder til under 67 °C. ■ Sæt batteripakken på plads igen. ■ Oplad batteripakken.
Trimmerhoved rykker ikke snoren frem.	<ul style="list-style-type: none"> ■ Motoraksel eller trimmerhoved er fyldt med græs. ■ Der er ikke tilstrækkelig snor på spolen. ■ Trimmerhovedet er snavset. ■ Snoren er filtret på spolen. ■ Snoren er for kort. 	<ul style="list-style-type: none"> ■ Stop trimmeren, fjern batteriet, og fjern græs fra motoraksel og trimmerhoved. ■ Fjern batteriet, og udskift snoren; se afsnittet "UDSKIFTNING AF SNOR" i denne vejledning. ■ Fjern batteriet, og rens spolen, spoleholderen og spolekant. ■ Fjern batteriet, fjern snoren fra spolen og spolen på igen; se afsnittet "UDSKIFTNING AF SNOR" i denne vejledning. ■ Fjern batteriet og træk i snorene, mens fjederknoppen skiftevis trykkes ned og slippes.

PROBLEM	ÅRSAG	LØSNING
Græs er snoet omkring trimmerhoved og motorhus.	<ul style="list-style-type: none">■ Trimning af højt græs i jordhøjde.	<ul style="list-style-type: none">■ Klip højt græs oppefra og ned, og tag ikke mere end 20cm hver gang for at forhindre, at græsset snor sig fast.
Snoren skærer ikke godt.	<ul style="list-style-type: none">■ Snorkniven på kanten af kappen er blevet sløv.	<ul style="list-style-type: none">■ Slib kniven med en fil eller skift den ud med en ny kniv.

GARANTI

EGO's GARANTIPOLITIK

Besøg venligst hjemmesiden egopowerplus.com for fuldstændige vilkår og betingelser for EGO's garantipolitik.

LÄS IGENOM ALLA INSTRUKTIONER!



LÄS IGENOM OCH FÖRSTA BRUKSANVISNINGEN

⚠ Kvarstående risker! Personer med elektroniska implantat såsom hjärtstimulatorer bör konsultera sin(a) läkare innan de använder denna produkt. Användning av elutrustning nära en hjärtstimulator kan störa eller avbryta dess funktion.

⚠ VARNING! Alla reparationer bör utföras av en kvalificerad servicetekniker för att upprätthålla produktens säkerhet och driftssäkerhet.

SÄKERHETSSYMBOLER

Syftet med säkerhetssymboler är att fästa din uppmärksamhet på eventuella risker. Säkerhetssymbolerna och deras betydelser bör uppmärksammas noga och förstås. Själva varningssymboler kan dock inte förebygga någon fara. De instruktioner och varningar som de hänvisar till kan aldrig ersätta lämpliga olycksförebyggande åtgärder.

⚠ VARNING! Se till att läsa igenom och förstå alla säkerhetsinstruktioner i bruksanvisningen, inklusive alla varningssymboler såsom **“RISK”**, **“VARNING”** och **“VAR FÖRSIKTIG”**, innan produkten tas i bruk. Underlåtenhet att följa alla nedan angivna instruktioner kan leda till elstöt, brand och/eller svår personskada.

SYMBOLERNAS BETYDELSE

SÄKERHETSRELATERAD VARNINGSSYMBOL:

Betecknar RISK, VARNING eller VAR FÖRSIKTIG. Kan förekomma i samband med andra symboler eller piktogram.



⚠ VARNING! Arbeta med eldrivna verktyg kan medföra att främmande föremål slungas upp i ögonen vilket kan orsaka svåra ögonskador. Ta alltid på dig skyddsglasögon eller skyddsglasögon med sidoskydd och vid behov ett komplett ansiktsskydd innan du börjar arbeta med eldrivna verktyg. Vi rekommenderar att använda ett heltäckande visir ovanpå glasögon eller vanliga skyddsglasögon med sidoskydd.

SÄKERHETSINSTRUKTIONER

På denna sida anges säkerhetssymboler som kan förekomma på produkten. Alla instruktioner som anges på enheten bör granskas, förstås och följas innan du försöker montera och använda den.

	Säkerhetsvarning	Försiktighetsåtgärder som berör din säkerhet.
	Läs igenom bruksanvisningen	Användaren bör läsa igenom och förstå bruksanvisningen innan produkten tas i bruk för att minska risken för personskada.
	Använd skyddsglasögon!	Ha alltid på dig skyddsglasögon eller skyddsglasögon med sidoskydd och ett komplett ansiktsskydd under arbete med denna produkt.
	Använd hörselskydd	Ha alltid på dig hörselskydd under arbete med denna produkt.
	Tråddiameter	Diametern på skärtråden av nylon.
	Klippbredd	Grästrimmerns max klippbredd.
	Ingen kniven	Installera inte metall eller plast kniven.
	Får inte utsättas för regn	Får inte användas i regn eller lämnas utomhus medan det regnar.
	Håll obehöriga på avstånd	Se till att övriga personer och husdjur håller ett avstånd på minst 15 meter från grästrimmern när den används.
	Håll obehöriga på avstånd	Se till att andra människor och husdjur förblir på minst 15m avstånd från grästrimmern medan den används
V	Volt	Spänning
A	Ampere	Ström
Hz	Hertz	Frekvens (cykler per sekund)
W	Watt	Effekt
min	Minuter	Tid

~	Växelström	Strömtyp
≡	Likström	Strömtyp eller -specifikation
n_0	Obelastad hastighet	Rotationshastighet i obelastat tillstånd
... /min	Per minut	Rotationer per minut

VIKTIGA SÄKERHETSINSTRUKTIONER

⚠ VARNING! Grundläggande försiktighetsåtgärder bör alltid vidtas vid användning av grässtrimmers för att minska risken för brand, elstöt och personskada, bl a de nedan angivna:

LÄS NOGA IGENOM FÖRE ANVÄNDNING

SPARA FÖR FRAMTIDA BEHOV

⚠ FARA! Lita inte enbart på verktygets isolering för skydd mot elstöt. Maskinen får aldrig användas nära ledningar eller kablar (el osv) som kan vara spänningssatta.

⚠ FÖRSIKTIGHET! Ha på dig lämpligt hörselskydd under arbetet. I vissa förhållanden och vid längre användning kan buller från produkten bidra till hörselnedsättning.

UTBILDNING

- Läs noga igenom instruktionerna. Lär känna styrenheterna och korrekt användning av maskinen.
- Låt inga personer som inte är förtrogna med dessa instruktioner använda maskinen. Lokala föreskrifter kan begränsa användarens ålder.
- Glöm inte att operatören eller användaren ansvarar för olyckor och risker som andra personer eller deras egendom utsätts för.

FÖRBEREDELSE

- Maskinen får inte användas i närheten av andra människor, särskilt barn, eller husdjur.
- Använd alltid skyddsglasögon och kraftiga skor under arbete med denna maskin.
- Avståndet mellan maskinen och åskådare måste vara minst 15 meter.
- Använd inte metallklingor

ANVÄNDNING

- Maskinen får endast användas i dagsljus eller i bra belysning.

- Maskinen får inte användas med skadade skydd eller skärmar eller utan påmonterade skydd eller skärmar.
- Motorn får startas först när händerna och fötterna är på säkert avstånd från trimmerhuvudet.
- Koppla alltid ur maskinen från strömkällan (dvs dra ut stickproppen ur uttaget eller avlägsna säkerhetsnyckeln):
 - När maskinen lämnas utan uppsyn;
 - Innan man avlägsnar en tilltappning;
 - Före kontroll, rengöring eller ingrepp på maskinen;
 - Efter stöt mot ett hinder;
 - När maskinen börjar vibrera onormalt.
- Undvik hand- och fotskador pga trimmerhuvudet.
- Se alltid till att luftöppningarna är fria från skräp.

UNDERHÅLL OCH FÖRVARING

- Koppla ur maskinen från strömkällan (dvs dra ut stickproppen ur uttaget eller avlägsna säkerhetsnyckeln) före underhåll eller rengöring.
- Använd endast reservdelar och tillbehör som rekommenderas av tillverkaren.
- Granska maskinen och utför underhåll regelbundet. Reparationer får endast utföras av en auktoriserad reparatör.
- Förvara maskinen oåtkomligt för barn medan den inte används.

ÖVRIGA SÄKERHETSVARNINGAR

- Undvik farliga miljöer - Grässtrimmers får inte användas i fuktiga eller våta miljöer.
- Stäng alltid av grässtrimmern eller ta ut batteripacket när trimmern lämnas utan uppsyn.
- Grässtrimmern får inte användas i regn.
- Håll barn på avstånd - Alla obehöriga bör hållas utanför arbetsområdet.
- Ha på dig lämpliga kläder - Använd inga löst sittande kläder eller smycken. De kan fastna i rörliga maskindelar. Gummihandskar och skyddsskor rekommenderas vid arbete utomhus. Täck över långt hår.
- Använd skyddsglasögon - Använd alltid ett ansiktsskydd eller en skyddsmask i dammiga miljöer.
- Använd rätt verktyg - Maskinen får inte användas för något annat ändamål än det avsedda.
- Trimmern får inte forceras - Den fungerar bättre och med mindre risk för personskada vid hastigheter som den är avsedd för.
- Sträck dig inte för långt - Se till att du hela tiden har säkert fotfäste och balans.

- Var uppmärksam - Se vad du gör. Använd sunt förnuft. Trimmern får inte användas medan du är trött.
- Trimmern får inte användas medan du är påverkad av alkohol eller narkotika.
- Se till att skydden är påmonterade och i funktionsdugligt skick.
- Förvara trimmern inomhus - Medan trimmern inte används bör den förvaras inomhus, med urtaget batteripack, i ett torrt och högt beläget eller låst ställe - oåtkomligt för barn.
- Ta hand om trimmern - Håll trimmerhuvudet rent för bästa resultat och för att minska risken för personskada. Följ instruktionerna för byte av tillbehör. Håll handtagen torra, rena och fria från olja och smörjmedel.
- Kontrollera skadade detaljer - Ett skadat skydd eller annan detalj bör kontrolleras noggrant innan trimmern används igen för att försäkra sig om att den fungerar korrekt och fyller dess avsedda funktion. Kontrollera maskinen för skevning eller kärvning av rörliga detaljer, skada på detaljer, fel montering eller annat som kan påverka verktygets funktion. Ett skadat skydd eller annan detalj ska repareras korrekt eller bytas ut på ett auktoriserat servicecenter om inte annat anges i bruksanvisningen.
- Städa arbetsområdet före varje användning. Avlägsna alla föremål såsom stenar, glasskärvor, spikar, metalltråd eller snöre som kan slungas ut eller fastna i trimmerhuvudet. Se till att andra personer och husdjur förblir på minst 15 m avstånd.
- Kontrollera maskinen för nötning eller skada före varje användning och efter varje stöt mot hinder, reparera efter behov.
- Se alltid till att hålla trimmern i stadigt grepp under arbetet, med båda händerna på handtagen. Grip runt handtagen med fingrarna och tummarna.
- Undvik oavsiktlig start - Trimmern får inte bäras med fingret på avtryckaren.
- Trimmern får inte användas i närvaro av bensinångor eller i andra explosiva miljöer. Motorer på sådana maskiner avger gnistor vid normal drift som kan tända ångor.
- Vidrör inte de rörliga, farliga delarna innan maskinen stängts av (eller batteripacket tagits ut ur maskinen) och de rörliga, farliga delarna har stannat helt.
- Skada på trimmern - Om trimmern stöter mot ett främmande föremål eller fastnar, stäng av maskinen omedelbart, ta ut batteripacket ur trimmern, kontrollera den för skada och få alla eventuella skador reparerade innan grästrimmern används igen. Maskinen får inte användas med ett skadat skydd eller en skadad spole.
- Om maskinen börjar vibrera onormalt, stäng av motorn, ta ut batteripacket ur grästrimmern och ta omedelbart reda på orsaken. Vibration tyder oftast på problem. Ett löst trimmerhuvud kan vibrera, spricka, gå sönder eller lossna från trimmern vilket kan medföra risk för svåra personskador eller död. Se till att trimmerhuvudet sitter ordentligt fast. Om huvudet lossnar efter att det har fästs på plats, få det utbytt omedelbart. Trimmern får aldrig användas med löst trimmerhuvud.
- Ett sprucket, skadat eller nött trimmerhuvud ska bytas ut omedelbart, även om det handlar om yttliga sprickor. Sådana detaljer kan gå sönder vid hög hastighet och orsaka svåra personskador eller död.
- Kontrollera trimmerhuvudet ofta och regelbundet under arbetet eller omedelbart när man märker en förändring i trimningsfunktionen.
- Använd endast godkända EGO™-tillbehör för polymertrimmertråd och en trimmertråd som är avsedd för användning med denna maskin. Trots att vissa ej godkända tillbehör går att montera på grästrimmern av EGO™ kan användning av dessa visa sig ytterst farlig och/eller skadlig för verktyget.
- Använd aldrig någon metalltråd eller metallförstärkt tråd i stället för nylontråd för att minska risken för svåra personskador. Sådan tråd kan gå sönder och bitarna kan slungas ut vid hög hastighet mot operatören eller andra människor.
- Arbeta aldrig på en stege eller något annat ostadigt underlag för att minska risken för personskada pga att man tappar kontrollen. Trimmerhuvudet får aldrig hållas ovanför midjehöjden.
- Var försiktig och använd sunt förnuft i situationer som inte beskrivs i bruksanvisningen. Kontakta EGO:s servicecenter för hjälp.
- Batteripacket får inte laddas i regn eller våta.
- Använd endast med nedan angivna batteripack och laddare:

BATTERI	LADDARE
BA1120E, BA2240E, BA2800, BA3360, BA4200	CH5500E, CH2100E

- Ta ut batteripacket ur maskinen innan den kasseras.
- Kassera det uttjänta batteriet på ett säkert sätt.
- Batteriet får inte kastas i eld. Cellerna kan explodera. Rådfråga lokala myndigheter om eventuella särskilda regler om hantering
- Försök aldrig att öppna eller bryta sönder batteriet. Utläckt elektrolyt är frätande och kan skada ögonen eller huden. Den kan vara giftig vid förtäring.

- Hantera batterier försiktigt för att undvika kortslutning pga strömförande material såsom ringar, armband och nycklar. Batteriet eller det strömförande föremålet kan bli hett och orsaka brännsår.
- Använd endast identiska reservdelar av EGO™ vid service. Användning av andra tillbehör eller detaljer kan öka risken för personskada.
- Batteridrivna verktyg behöver inte anslutas till ett uttag; därför är de alltid användningsklara. Var medveten om eventuella risker medan det batteridrivna verktyget inte används. Var försiktig vid underhåll eller service.
- Spola inte med vatten; undvik inträngning av vatten i motorn och elkopplingarna.
- Spara dessa instruktioner. Läs dem ofta och använd dem för att instruera eventuella övriga användare av enheten. Om du lånar enheten till någon bör dessa instruktioner följa med för att förebygga eventuell fel användning och personskada.
- Ha alltid på dig skyddsskor och långbyxor under användning av maskinen.
- Behåll alltid säkert fotfäste på slutningar och gå med maskinen, spring inte.

SPARA DESSA INSTRUKTIONER!

SPECIFIKATIONER

Spänning	56 V	
Obelastad hastighet	5200-6500 /min	
Skärmechanism	Trådhuvid	
Trimmerträdens typ	AL0802 2.0mm Nylon twist linje	
Klippbredd	33 cm	
Vikt (utan batteripack)	2,76 kg	
Uppmått ljudeffektnivå L_{WA}	89,25 dB(A) K=2,5 dB(A)	
Maximal ljudtrycksnivå vid operatörens öra L_{PA}	75,2 dB(A) K=2,5 dB(A)	
Garanterad ljudeffektnivå L_{WA} (uppmått i enlighet med 2000/14/EC)	93 dB(A)	
Vibration a_h	Främre handtag	2,134 m/s ² K=1,5 m/s ²
	Bakre handtag	1,231 m/s ² K=1,5 m/s ²

- Det angivna totalvärdet för vibration är uppmått enligt standardprovningmetoden och kan användas för att jämföra olika verktyg;

- Det angivna totalvärdet för vibration kan även användas vid preliminär utvärdering av exponering.

OBS! Den verkliga vibrationen under arbete med det eldrivna verktyget kan avvika från det angivna värdet. Användaren bör ha på sig lämpliga handskar och hörselskydd för de aktuella arbetsförhållandena för att skydda sig.

LEVERANSLISTA

ARTIKELNAMN	ANTAL
Grästrimmer	1
Skydd	1
Komplett främre hjälphandtag	1
Sexkantnyckel	1
Bruksanvisning	1

BESKRIVNING

LÄRA KÄNNA DIN TRÅDTRIMMER (bild A)

1. Avtryckare
2. Bakre handtag
3. Upplåsningsreglage
4. Hastighetsreglage
5. Mjuk hylsa
6. Justerbart främre handtag
7. Trådhuvid (skärhuvid)
8. Stötknopp
9. Skärblad för trådkapning
10. Skydd
11. Utskjutningsmekanism
12. Elektriska kontakter
13. Spärr
14. Frigöringsknapp för batteriet

MONTERING

⚠ VARNING! Om någon av delarna skadats eller saknas, använd inte denna produkt förrän delarna har bytts ut. Användning av denna produkt med skadade eller saknade delar kan resultera i allvarliga personsador.

⚠ VARNING! Försök inte att modifiera denna produkt eller skapa tillbehör som inte rekommenderas för användning med denna trädtrimmer. Alla sådana ändringar eller modifikationer är felaktig användning och resulterar i farliga förhållanden som kan leda till allvariga personskador.

⚠ VARNING! För att förhindra oavsiktlig start som kan orsaka allvariga personskador, ta alltid ut batteripacket från verktyget vid montering av delar.

MONTERA SKYDDET

⚠ VARNING! Använd alltid handskar vid montering eller utbyte av skyddet. Var försiktig med skärbladet på skyddet och skydda din hand.

⚠ VARNING! Använd aldrig verktyget utan att skyddet är korrekt på plats. Skyddet måste alltid vara monterat på verktyget för att skydda användaren! När skyddet är fastsatt, försök aldrig att ta bort eller justera det. Om utbyte krävs måste det utföras av en kvalificerad servicetekniker!

Lossa och ta bort de två kombiskruvarna från axelns bas (bild B). Rikta in skyddets fästhål med monteringshålen och lås sedan fast skyddet på axelns bas med de två skruvarna. Säkerställ att skyddet är korrekt fastsatt enligt bild B och C. En omvänd fastsättning är mycket farligt!

MONTERA OCH JUSTERA DET FRÄMRE HANDTAGET

Tryck in det främre handtaget på axeln (bild E), för sedan in klämblocket i handtaget (bild F), montera låsstäng och lås fast dem på plats med vingmuttern (bild G). Sekvensen visas i bild D. Justera slutligen det främre handtagets position så att din främre arm är rak när du använder trimmern (bild H) och lås sedan fast låsstäng med spaken (bild I).

Bild D och H. Se nedan för beskrivning av delar:

D-1	Främre handtag	D-4	Vingmutter
D-2	Låsstäng	H-1	Mjuk hylsa
D-3	Klämblock	H-2	Varningsetikett

OBS! Det främre handtaget ska vridas uppåt så att det riktas mot handtagets övre del.

⚠ VARNING! Fäst endast det främre handtaget framför den mjuka hylsan på axeln.

⚠ VARNING! Verktyget kan inte användas utan att det främre handtaget är korrekt fastsatt.

ANVÄNDNING

⚠ VARNING! Var aldrig vårdslös, även om du är väl förtrogen med verktyget. Glöm inte att en bråkdel av en sekund av ouppmärksamhet är tillräcklig för att orsaka svåra personskador.

⚠ VARNING! Ha alltid på dig skyddsglasögon med sidoskydd och även hörselskydd. Underlåtenhet att följa denna regel kan leda till ögonskador pga utslungade föremål och andra svåra personskador.

⚠ VARNING! Använd inga detaljer eller tillbehör som inte rekommenderas av tillverkaren av denna produkt. Användning av ej rekommenderade detaljer eller tillbehör kan leda till svåra personskador.

⚠ VARNING! Grästrimmern får endast användas med en lämplig trimmertråd som endast är avsedd för gräs och dylikt.

Du kan använda denna produkt för de tillämpningar som listas nedan:

Trimming: Används för att ta bort gräs och ogräs mot väggar, staket, träd och kanter.

Beskärning: Används för att kapa gräs som är svårt att komma åt med en vanliga gräsklippare.

OBS! Verktyget får endast användas för sitt avsedda ändamål. All annan användning, t.ex. häcktrimning, anses vara en felaktig användning.

MONTERA/TA BORT PATERIPACKET

Ladda fullt före första användning.

Montera

Rikta in listerna på batteriet med monteringsspåren och tryck sedan ner batteripacket tills du hör ett "klick". (bild J)

Ta bort

Tryck in frigöringsknappen för batteriet och dra sedan ut batteripacket enligt bild K.

HÅLLA TRÄDTRIMMERN

⚠ VARNING! Använd korrekta kläder för att minska risken för personskador vid användning av detta verktyg. Använd inte löst sittande kläder eller smycken. Använd ögon- och öron-/hörselskydd. Använd rejäla långbyxor, skyddsskor och handskar. Använd inte shorts, sandaler eller gå barfota.

Före användning, håll trimmern med båda händerna, ena handen på det bakre handtaget och den andra på det främre handtaget som ska vara rakt (bild L). Se sedan till att du har ett bra fötfäste och ett lämpligt skäravstånd utan att operatören behöver böja sig.

STARTA/STOPPA TRÅDTRIMMERN

Starta

Tryck in startspärren och håll in den i det läget. Tryck på avtryckaren igen för att slå på trådtrimmern enligt bild M.

Stoppa

Släpp upp startspärren och avtryckaren.

OBS! Motorn har två skärhastigheter, Position "1" för lägre hastighet och Position "2" för högre hastighet (se bild M). Tryck bara hastighetsreglaget till önskat läge under skärning.

Bild M. Se nedan för beskrivning av delar:

M-1	Position 1
M-2	Position 2

⚠️ VARNING! Ta alltid ut batteripacket ur trådtrimmern vid arbetspauser och efter att du har jobbat klart.

ANVÄNDA TRÅDTRIMMERN

⚠️ VARNING! Använd alltid skyddsglasögon eller skyddsglasögon med sideskydd under arbetet med verktyget. Använd även ett ansiktsskydd eller skyddsmask i dammiga miljöer.

Städa arbetsområdet före varje användning. Avlägsna alla föremål såsom stenar, glasskärvor, spikar, metalltråd eller snöre som kan slungas ut eller fastna i trimmerhuvudet. Håll barn, obehöriga och husdjur borta. Håll dem på minst 15m avstånd; risk pga utslungade föremål kan förekomma. Det rekommenderas att närvarande människor ska ha på sig skyddsglasögon. Om någon närmar sig arbetsområdet, stäng omedelbart av motorn och trimmerhuvudet.

Kontrollera maskinen för skada/nötta detaljer före varje användning

Kontrollera trimmerhuvudet, skyddet och det främre hjälphandtaget och byt ut spruckna, skeva, böjda eller annars skadade detaljer.

Trådkniven på skyddets kant kan bli slö med tiden. Det rekommenderas att slipa den periodiskt eller byta ut den mot en ny kniv.

⚠️ VARNING! Ha alltid på dig skyddshandskar vid montering av skyddet eller slipning eller byte av kniven. Var försiktig med kniven på skyddet och undvik skärsår på händerna.

Rengör trimmern efter varje användning.

⚠️ FÖRSIKTIGHET! Tilltäppningar i luftöppningarna hindrar luffflöde i motorhöljet och kan leda till överhettning av eller skada på motorn.

- Verktyget får endast rengöras med mild tvål och en fuktig trasa. Ingen vätska får tränga in i verktyget; ingen detalj av verktyget får placeras i någon vätska.
- Se alltid till att luftöppningarna i skaffet är fria från skräp.

⚠️ VARNING! Använd aldrig vatten för att rengöra din trimmer. Använd inte lösningsmedel när du rengör plastdelarna. De flesta plaster är känsliga för skador från olika typer av kommersiella lösningsmedel. Använd rena trasor för att ta bort smuts, damm, olja, fett osv.

JUSTERA SKÄRTRÅDENS LÄNGD

Stöthuvudet möjliggör operatören att mata fram mer skärtråd utan att stänga av motorn. Om tråden blir fransk eller nött kan ny tråd matas fram genom att lätt knacka stöthuvudet mot marken under arbetet med trimmern (se bild N).

OBS! Tråden blir svårare att mata ut i takt med att trimmertråden blir kortare.

⚠️ VARNING! Försök aldrig att avlägsna eller modifiera trådkniven. För lång trimmertråd orsakar överhettning av motorn och kan leda till svåra personskador.

BYTA UT TRÅDEN

⚠️ VARNING! Använd aldrig metallförstärkta trådar, kablar, rep osv. Dessa kan gå av och bli farliga projektiler.

Det finns två olika metoder för att byta ut skärtråden:

1. Linda spolen med ny tråd.
2. Montera en förlindad spole (AS1300, AS1301, AS1302, hittas hos din återförsäljare om nödvändigt).

Linda spolen med ny tråd.

Tryck in de två flikarna på spolens bas och dra ut spohlållaren (bild O). Ta fram cirka 7 meter ny trimmertråd. Linda in det i spolen enligt bild P och Q. Placera sedan tråändarna genom de två motsatta skårorna i spolen (bild R). Placera sedan spolen i dess hållare med skårorna riktade mot hållarens trådhål (bild T). Rikta slutligen in hållarens hål med flikarna på spolens bas och tryck ner hållaren. Se till att den knäpps på plats (bild S).

OBS! Rengör alltid spolhållaren, spolen och spolens bas före montering av trimmerhuvudet. Kontrollera spolhållaren, spolen och spolens bas efter slitage. Byt ut de slitna delarna om nödvändigt.

OBS! Om träden inte lindas in i riktningen som visas kommer trimmerhuvudet att fungera felaktigt.

Montera en förlindad spole

Tryck in de två flikarna på spolens bas och dra ut spolhållaren (bild O). Placera sedan den förlindade spolen i hållaren med skårorna riktade mot hållarens trådhål (bild T). Rikta slutligen in hållarens hål med flikarna på spolens bas och tryck ner hållaren. Se till att den knäpps på plats (bild S).

Bild S och T. Se nedan för beskrivning av delar:

S-1	Flik	T-1	Skåra
S-2	Spår	T-2	Hål

OBS! Se till att flikarna på spolens bas knäpps på plats annars kommer spolen att lossna vid användning.

UNDERHÅLL

SE

⚠ VARNING! Använd endast identiska reservdelar vid service. Användning av andra detaljer kan leda till risker eller skada på produkten. Granska maskinen och utför underhåll regelbundet. Alla reparationer bör utföras av en kvalificerad servicetekniker för att upprätthålla säkerhet och driftssäkerhet.

⚠ VARNING! Batteridrivna verktyg behöver inte anslutas till ett uttag; därför är de alltid användningsklara. Var särskilt försiktig och noggrann vid underhåll eller service eller vid byte av skärenheten eller andra enheter för att förebygga svåra personskador.

⚠ VARNING! Ta ut batteripacket ur verktyget före service, rengöring eller byte av tillbehör eller innan du rensar maskinen från avklippt material för att förebygga svåra personskador.

RENGÖRING AV MASKINEN

- Rengör maskinen med en fuktig trasa och mildt rengöringsmedel.
- Använd inga starka rengöringsmedel på plasthöljet eller handtaget. Dessa är känsliga mot vissa eteriska oljor såsom tall och citron samt lösningsmedel såsom fotogen. Även fukt kan medföra risk för elstöt. Torka av eventuell fukt med en mjuk, torr trasa.
- Rengör luftöppningarna i skaflet med hjälp av en liten borste eller utblås av en liten handdammsugare.

FÖRVARA ENHETEN

- Ta ut batteripacket ur grästrimmern när maskinen inte används.
- Rengör maskinen noggrant innan den ställs av.
- Förvara maskinen i ett torrt, väl ventilerat, låst eller högt beläget ställe, oåtkomligt för barn. Maskinen får inte förvaras på eller nära konstgödsel, bensen eller andra kemikalier.

Miljöskydd



Elektriska enheter, batteriladdare och batterier/uppladdningsbara batterier får inte kastas med hushållsavfall!

Enligt det europeiska direktivet 2012/19/EU ska uttjänta elektriska och elektroniska enheter samlas separat; samma gäller för defekta eller uttjänta batteripack/batterier enligt det europeiska direktivet 2006/66/EG.

Om elektriska enheter hamnar i soptippar eller avfallsdepåer kan farliga ämnen läcka ut till grundvattnet, hamna i näringskedjan och skada din hälsa och ditt välmående.

EG-FÖRSÄKRAN OM ÖVERENSSTÄMMELSE



Vi, CHERVON EUROPE LTD.

47 CASTLE STREET, READING, RG1 7SR, UNITED KINGDOM

Försäkrar att produkten **56V sladdlös grästrimmer med litium-jonbatteri ST1300E** uppfyller de grundläggande hälso- och säkerhetskraven enligt följande direktiv: 2006/42/EU, 2014/30/EG, 2011/65/EG, 2000/14/EU

Tillämpade standarder och tekniska specifikationer:

EN 60335-1, EN 50636-2-91, EN ISO 11806-1, EN ISO 12100, EN 62233, EN 55014-1, EN 55014-2

Uppmätt ljudeffektnivå: 89,25 dB(A).

Garanterad ljudeffektnivå: 93 dB(A).

Peter Melrose
Vice President of Chervon Europe

Dong Jianxun
Quality Manager of Chervon

* (Auktoriserad representant för CHERVON och ansvarig för teknisk dokumentation)

01/04/2016

FELSÖKNING

PROBLEM	ORSAK	ÅTGÄRD
Grästrimmern startar inte.	<ul style="list-style-type: none"> ■ Batteripacket är inte anslutet till grästrimmern ■ Elektrisk anslutning mellan trimmern och batteriet saknas. ■ Batteripacket är urladdat. ■ Säkring och avtryckaren är inte nedtryckta samtidigt. 	<ul style="list-style-type: none"> ■ Anslut batteripacket till grästrimmern ■ Ta ut batteriet, kontrollera kontakter och sätt i batteripacket igen. ■ Ladda batteripacket ■ Håll säkringen nedtryckt och tryck sedan ner avtryckaren för att starta grästrimmern.
Grästrimmern stänger av sig under arbetet.	<ul style="list-style-type: none"> ■ Skyddet är inte monterat på trimmern vilket har lett till för lång trimmertråd och överbelastning av motorn. ■ För tjock trimmertråd används. ■ Gräs har fastnat på motorskaftet eller trimmerhuvudet. ■ Motorn är överbelastad. ■ Batteripacket eller trimmern är för varmt. ■ Batteripacket är inte anslutet till verktyget ■ Batteripacket är urladdat. 	<ul style="list-style-type: none"> ■ Ta ut batteripacket och montera skyddet på trimmern. ■ Använd uteslutande trimmertråd av nylon med diameter på 2,0mm eller mindre. ■ Stäng av trimmern, ta ut batteriet och rensa motorskaftet och trimmerhuvudet från gräs. ■ Lyft upp trimmerhuvud från gräset. Motorn fortsätter att köra när belastningen avtar. Flytta trimmerhuvudet in i och ut ur gräset som ska klippas och klipp inte mer än 20cm i taget. ■ Låt batteripacket or trimmern svalna ned tills temperaturen är under 67°C. ■ Anslut batteripacket igen. ■ Ladda batteripacket.
Trimmerhuvudet matar inte fram ny skärtråd.	<ul style="list-style-type: none"> ■ Gräs har fastnat på motorskaftet eller trimmerhuvudet ■ Tråden håller på att ta slut på spolen ■ Smutsigt trimmerhuvud ■ Tillrasslad tråd på spolen ■ För kort tråd 	<ul style="list-style-type: none"> ■ Stäng av trimmern, ta ut batteriet och rensa motorskaftet och trimmerhuvudet från gräs. ■ Ta ut batteriet och montera ny tråd enligt avsnittet "BYTE AV TRIMMERTRÅD" i bruksanvisningen. ■ Ta ut batteriet och rengör spöhhållaren och spösockeln. ■ Ta ut batteriet, ta av tråden från spolen och linda den på nytt; följ instruktionerna i avsnittet "BYTE AV TRIMMERTRÅD" i bruksanvisningen. ■ Ta ut batteriet och dra i trådarna medan du trycker ner och släpper stöthuvudet upprepade gånger

PROBLEM	ORSAK	ÅTGÄRD
Gräs fastnar i trimmerhuvudet och motorhöjjet.	<ul style="list-style-type: none">▪ Klippning av högt gräs vid marknivå.	<ul style="list-style-type: none">▪ Klipp högt gräs i flera etapper, inte mer än 20cm i taget, för att undvika att gräs fastnar på maskinen.
Tråden klipper dåligt.	<ul style="list-style-type: none">▪ Trådkniven på skyddets kant är slö.	<ul style="list-style-type: none">▪ Slipa trådkniven med en fil eller byt ut den mot en ny kniv.

GARANTI

GARANTIVILLKOREN AV EGO

Var god besök webbplatsen egopowerplus.com för att se de fullständiga garantivillkoren av EGO.

LUE KAIKKI OHJEET!



LUE KÄYTTÖOHJE SITEN, ETTÄ MYÖS YMMÄRRÄT SEN SISÄLLÖN

⚠ Vaara! Henkilöiden, joilla on elektroniikkalaitteita, kuten sydämentahdistimia, tulee neuvotella lääkärin kanssa ennen tuotteen käyttöä. Sähkölaitteiden käyttö sydämentahdistimen läheisyydessä voi aiheuttaa tahdistimeen häiriöitä tai vikoja.

⚠ VAROITUS: Valtuutetun huoltoteknikon tulee suorittaa kaikki korjaukset ja osien vaihdot, jotta voidaan taata tuotteen turvallinen ja luotettava käyttö.

TURVAMERKIT

Turvamerkkien tavoitteena on kiinnittää huomio mahdollisiin vaaroihin. Sinun tulee lukea huolellisesti käyttöohjeet ja ymmärtää turvamerkit ja niiden selitteet. Turvamerkit eivät itsessään poista vaaraa. Niiden antamat ohjeet ja varoitukset eivät korvaa asianmukaisia tapaturman torjuntatoimenpiteitä.

⚠ VAROITUS: Varmista, että luet ja ymmärrät kaikki tämän käyttäjän käsikirjan turvallisuusohjeet, mukaan lukien kaikki vaaramerkit, kuten **“VAARA”**, **“VAROITUS”** ja **“HUOMIO”**, ennen kuin käytät työkalua. Alla mainittujen ohjeiden noudattamatta jättäminen voi aiheuttaa sähköiskun, tulipalon ja/tai vakavan henkilövahingon.

MERKIN SISÄLTÖ

VAROITUSMERKKI: Ilmaisee seuraavia: VAARA, VAROITUS TAI HUOMIO. Voidaan käyttää yhdessä muiden merkkien tai kuvamerkkien kanssa.



⚠ VAROITUS: Vierasesineitä voi sähkötyökalujen käytön seurauksena lentää silmiin, ja ne voivat aiheuttaa vakavan silmävamman. Käytä aina suojalaseja tai turvalaseja sivusuojilla ja tarvittaessa kokokasvosuojusta ennen sähkötyökalun käytön aloittamista. Suosittelemme laajan näkökentän kasvosuojusta silmälasien päälle tai vakioturvalaseja sivusuojilla.

TURVALLISUUSOHJEET

Tällä sivulla esitetään ja kuvataan tähän tuotteeseen mahdollisesti liittyvät turvamerkit. Lue kaikki koneen ohjeet siten, että ymmärrät ne, ja noudata niitä ennen kuin kasaat koneen ja käytät sitä.

	Turvallisuusvaroitukset	Turvallisuuteen liittyvät varoitoimenpiteet.
	Lue käyttäjän käsikirja	Tapaturmariskin pienentämiseksi käyttäjän täytyy lukea ja ymmärtää käyttäjän käsikirja ennen tuotteen käyttöä.
	Käytä suojalaseja	Käytä aina suojalaseja tai turvalaseja sivusuojilla ja kokokasvosuojusta, kun käytät tätä tuotetta.
	Käytä kuulosuojaimia	Käytä kuulosuojaimia aina, kun käytät tätä tuotetta.
	Siiman halkaisija	Nylonvalmisteisen leikkusiiman halkaisija
	Leikkauksleveys	Trimmerin maksimileikkuleveys
	Ei leikkuuterän	Älä asenna metalli- tai muovilevylle leikkuterän
	Älä altista sateelle	Älä käytä sateessa tai jätä ulos sateella.
	Pidä sivulliset loitolla	Varmista, että muut ihmiset ja lemmikkieläimet ovat vähintään 15m päässä trimmeristä sen ollessa käytössä.
	Pidä sivulliset loitolla	Varmista, että muut ihmiset ja lemmikkieläimet ovat vähintään 15m päässä trimmeristä sen ollessa käytössä.
V	Voltti	Jännite
A	Ampeerit	Virta
Hz	Hertsi	Taajuus (sykliä sekunnissa)
W	Wattia	Teho
min	Minuuttia	Aika
~	Vaihtovirta	Virran tyyppi
≡	Tasavirta	Virran tyyppi tai virtajännite-ominaiskäyrä
n ₀	Tyhjäkäyntinopeus	Pyörimisnopeus, kuormittamattomana
.../min	Pyörintänopeus	Kierrosta minuutissa

TÄRKEITÄ TURVALLISUUSOHJEITA

VAROITUS: Kun käytät trimmeriä, tiettyjä turvallisuuteen liittyviä varotoimenpiteitä tulee aina noudattaa tulipalon, sähköiskun ja henkilövahingon riskin pienentämiseksi. Niitä ovat esimerkiksi seuraavat:

LUE HUOLELLISESTI ENNEN KÄYTTÖÄ

SÄILYTYÄ OHJEET HUOLELLISESTI

VAARA: Älä luota työkalun sähköiskueristykseen. Tappavan sähköiskun riskin pienentämiseksi älä koskaan käytä konetta (sähkö- jne.) johtojen tai kaapeleiden läheisyydessä, koska ne voivat kuljettaa sähkövirtaa.

HUOMAUTUS: Pidä käytön aikana asianmukaista kuulosuojainta. Tietyissä käyttöolosuhteissa ja käytön kestäessä tietyn aikaa tuotteen melu voi aiheuttaa kuulovaurioita.

ENNEN KÄYTTÖÄ

- Lue ohjeet huolellisesti. Perehdy hallintalaitteisiin ja koneen asianmukaiseen käyttöön.
- Älä anna näihin ohjeisiin perehtymättömien henkilöiden tai lasten koskaan käyttää konetta. Paikalliset säännöt voivat rajoittaa käyttäjän ikää.
- Muista, että laitteen käyttäjä on vastuussa muille henkilöille tai heidän omaisuudelleen sattuvista tapaturmista tai aiheutuvista vaurioista.

KÄYTÖN VALMISTELU

- Älä koskaan käytä konetta muiden henkilöiden ja erityisesti lasten tai lemmikkieläinten lähellä.
- Pidä suojalaseja ja tukevia kenkiä aina, kun käytät konetta.
- Laitteen ja sivullisten välillä tulisi olla vähintään 15m väliä.
- Älä käytä metalliteriä

KÄYTTÖ

- Käytä konetta vain päivänvalossa tai hyvässä keinovalossa.
- Älä koskaan käytä konetta suojusten tai suojakilpien ollessa vaurioituneita tai ilman, että suojukset tai suojakilvet ovat paikallaan.
- Käynnistä moottori vain, kun kädet ja jalat ovat kaukana leikkuuvälineistä.
- Kytke kone aina irti virransyötöstä (eli irrota pistoke verkkovirrasta tai irrota akku)
 - kun jätät koneen valvomatta;

- ennen tukoksen poistamista;
- ennen kuin tarkastat, puhdistat tai huollat konetta;
- kun osut vieraaseen esineeseen;
- kun kone alkaa täristä normaalista poikkeavalla tavalla.
- Varo, että et vahingoita jalkoja ja käsiä leikkuuvälineillä.
- Varmista aina, että tuuletusaukkoihin ei kerry leikkuujätettä.

HUOLTO JA VARASTOINTI

- Kytke kone irti virransyötöstä (eli irrota pistoke verkkovirrasta tai irrota akku) ennen huolto- tai puhdistustoimenpiteitä.
- Käytä vain valmistajan suosittelemia varaosia ja lisävarusteita.
- Tarkasta ja huolla kone säännöllisin väliajoin. Korjauta kone vain valtuutetulla korjaajalla.
- Kun konetta ei käytetä, varastoi se lasten ulottumattomiin.

MUITA TURVALLISUUSVAROITUKSIA

- Vältä vaarallisia ympäristöjä - Älä käytä leikkureita kosteissa tai märissä paikoissa.
- Sammuta aina trimmeri tai irrota akkuyksikkö, kun jätät trimmerin valvomatta.
- Älä käytä sateessa.
- Pidä lapset loitolla - Kaikki ulkopuoliset tulee pitää riittäväällä etäisyydellä työalueesta.
- Pukeudu asianmukaisesti - Älä käytä löysiä vaatteita tai koruja. Ne voivat tarttua liikkuviin osiin. Suosittelemme kumikäsineiden ja tukevien jalkineiden käyttöä ulkona työskennellessä. Laita pitkät hiukset kiinni.
- Käytä suojalaseja - Pidä aina kasvo- tai hengityssuojainta, jos trimmerin käytöstä syntyy paljon pölyä.
- Käytä oikeaa työkalua - Käytä työkalua ainoastaan sen käyttötarkoitusta vastaavaan työhön.
- Älä ylikuormita trimmeriä - Se tekee työn paremmin ja turvallisemmin sillä nopeudella, jolle se on suunniteltu.
- Älä kurkottele - Säilytä aina tukeva asento ja hyvä tasapaino
- Pysy valppaana - Keskity siihen, mitä teet. Käytä tervettä järkeä. Älä käytä trimmeriä väsyneenä.
- Älä käytä trimmeriä alkoholin tai huumausaineiden vaikutuksen alaisena.
- Pidä suojukset paikoillaan ja käyttökunnossa.
- Varastoi trimmeriä sisätiloihin - Kun trimmeriä ei käytetä, se tulee varastoida sisätiloihin kuivaan ja korkeaan tai lukittuun paikkaan akkuyksikkö irrotettuna - lasten ulottumattomiin.

- Huolla trimmeri huolellisesti - Pidä trimmeri puhtaana parhaan suorituskyvyn aikaansaamiseksi ja loukkaantumisriskin pienentämiseksi. Noudata lisävarusteiden vaihtamiseen liittyviä ohjeita. Pidä kahvat kuivina, puhtaina, öljytönnä ja rasvattomina.
- Tarkasta vaurioituneet osat - Suojus tai muu vaurioitunut osa tulee tarkastaa huolellisesti ennen trimmerin käytön jatkamista, jotta sen voidaan määrittää toimivan asianmukaisella tavalla ja suorittavan sille tarkoitetun toiminnan. Tarkasta, onko liikkuvat osat kohdistettu oikein, esiintyykö niissä takertelua ja näkyvykössä vaurioita, onko ne asennettu oikein ja näkyvykössä muita tekijöitä, jotka voivat vaikuttaa sen toimintaan. Valtuutetun huoltopisteen tulee korjata tai vaihtaa suojus tai muu vaurioitunut osa, jollei muualla tässä käsikirjassa muuta ole mainittu.
- Tyhjennä leikattava alue ennen jokaista käyttöä. Poista kaikki esineet, kuten kivet, rikkoutunut lasi, naulat, vajjeri tai siima, jotka voivat sinkoutua trimmeristä tai sotkeutua siihen. Varmista, että muut henkilöt ja lemmikkieläimet ovat vähintään 15 m:n päässä.
- Tarkasta ennen koneen käyttöä ja siihen kohdistuneen iskun jälkeen koneen osat kulumisen ja vaurioiden varalta ja korjaa tarvittaessa.
- Kun käytät trimmeriä, pidä sitä aina tukevalla otteella molemmat kädet kahvoilla. Kiedo sormet ja peukalot kahvojen ympärille.
- Vältä koneen tahatonta käynnistämistä - Älä kanna trimmeriä sormi liipaisimella.
- Älä käytä trimmeriä bensiiniä sisältävissä tai räjähdysvaarallisissa ympäristöissä. Näiden laitteiden moottorit synnyttävät yleensä kipinöitä ja kipinät voivat sytyttää höyryt palamaan.
- Älä koske liikkuviin, vaarallisiin osiin ennen kuin laite on sammutettu (tai akku on poistettu laitteesta) ja liikkuvat, vaaralliset osat ovat pysähtyneet täysin.
- Trimmerin vaurioituminen - Jos osat vieraaseen esineeseen trimmerillä tai trimmeri sotkeutuu, pysäytä työkalu välittömästi, irrota akkuyksikkö trimmeristä, tarkasta vaurioiden varalta ja korjauta vauriot ennen kuin yrität jatkaa trimmerin käyttöä. Älä käytä, jos suojus tai kela on rikkoutunut.
- Jos laite alkaa täristä poikkeavasti, pysäytä moottori, irrota akkuyksikkö trimmeristä ja tarkasta välittömästi syy. Tärinä on yleensä merkki häiriöistä. Löysä siimapää voi täristä, halkeilla, särkyä tai irrota trimmeristä, mistä voi seurata vakava tai hengenvaarallinen vahinko. Varmista, että siimapää on kiinnitetty paikalleen asianmukaisesti. Jos pää löystyy paikalleen kiinnittämisen jälkeen, vaihda se välittömästi. Älä koskaan käytä trimmeriä siimapään ollessa löysällä.
- Vaihda halkeillut, vaurioitunut tai loppuun kulunut siimapää välittömästi, vaikka vaurio olisikin vain pintahalkeama. Lisäosat voivat särkyä suurella nopeudella ja aiheuttaa vakavan tai hengenvaarallisen vahingon.
- Tarkasta siimapää säännöllisin välein käytön aikana tai välittömästi, jos leikkukäyttäytymisessä ilmenee huomattava muutos.
- Käytä vain näiden työkalujen kanssa käytettäväksi suunniteltu ja valtuutettu EGO™-polymeerileikkusiiman lisävarusteita ja leikkusiimaa. Vaikka tiettyjä valtuuttamattomia lisäosia voidaan kiinnittää EGO™-trimmeriin, niiden käyttö voi olla erittäin vaarallista ja/tai se voi vaurioittaa työkaluja.
- Henkilövahinkoriskin pienentämiseksi älä koskaan käytä vajjeria tai metallivahvisteista siimaa tai muuta materiaalia nylonvalmisteisten leikkusiimojen sijasta. Vajjerin palat voivat katketa ja sinkoutua kovalla vauhdilla kohti käyttäjää tai sivullisia.
- Hallinnan menettämisestä johtuvan loukkaantumisriskin pienentämiseksi älä koskaan käytä konetta tikapuilla tai muun epävakaa tuen päällä. Älä koskaan pidä siimapäätä vyötärön korkeuden yläpuolella.
- Jos esiintyy tilanteita, joita ei käsitellä tässä käsikirjassa, ole varovainen ja käytä hyvää harkintaa. Ota yhteyttä EGO-huoltopisteeseen avun saamiseksi.
- Älä lataa akkuyksikköä sateessa tai määrässä tilassa.
- Käytä vain alla mainittujen akkuyksikköjen ja latauslaitteiden kanssa:

AKKU	LATAUSLAITE
BA1 120E, BA2240E, BA2800, BA3360, BA4200	CH5500E, CH2100E

- Akkuyksikkö täytyy irrottaa laitteesta ennen laitteen romuttamista.
- Akku on hävitettävä turvallisesti.
- Älä hävitä akkua polttamalla. Nennto voivat räjähtää. Tarkista paikallisista määräyksistä mahdolliset erityiset hävitysohjeet.
- Älä avaa tai turmele akkua. Vuotava akkuhappo on syövyttävää ja voi aiheuttaa silmä- tai ihovaurioita. Happo voi olla myrkyllistä nieltynä.
- Käsittele akkua varoen, jotta et aiheuta akkuun oikosulkuja sähköä johtavilla materiaaleilla, kuten sormuksilla, rannekoruilla ja avaimilla. Akku tai johdin voi ylikuumentaa ja aiheuttaa palovammoja.
- Käytä huollon yhteydessä vain valmistajan hyväksymiä varaosia. Kaikkien muiden lisävarusteiden tai lisäosien käyttö voi lisätä loukkaantumisriskiä.

- Akkutyökaluja ei tarvitse kytkeä sähköverkkoon; ne ovat siksi aina käyttökunnossa. Huomioi mahdolliset vaarat myös silloin, kun työkalua ei käytetä. Ole varovainen, kun suoritat kunnossapitoa tai huoltoa.
- Älä pese letkulla; estä veden pääsy moottoriin ja sähköliitäntöihin
- Säilytä nämä ohjeet. Lue niitä usein ja anna ne myös luettavaksi muille henkilöille, jotka mahdollisesti käyttävät työkalua. Jos lainaat työkalua toiselle henkilölle, anna mukaan myös nämä ohjeet, jotta voit estää tuotteen väärinkäytön ja mahdollisen vahingon.
- Pidä aina tukevia jalkineita ja pitkiä housuja, kun käytät konetta
- Varmista aina kunnan asento kaltevilla pinnoilla ja muista aina kävellä, älä koskaan juokse.

SÄILYTÄ NÄMÄ OHJEET!

MÄÄRITYKSET

Jännite	56 V $\overline{\text{---}}$	
Tyhjäkäyntinopeus	5200-6500 /min	
Leikkausmekanismi	Siimapää	
Leikkaussiiman tyyppi	AL0802 2.0mm Nylon kierre line	
Leikkausleveys	33 cm	
Paino (ilman akkua)	2,76 kg	
Mitattu äänen tehotaso L_{WA}	89,25 dB(A) K=2,5 dB(A)	
Suurin äänenpaineen taso käyttäjän korvien tasolla L_{PA}	75,2 dB(A) K=2,5 dB(A)	
Taattu äänen tehotaso L_{WA} (mitattu 2000/14/EC:n mukaisesti)	93 dB(A)	
Värinä a_h	Edessä oleva apukahva	2,134 m/s ² K=1,5 m/s ²
	Takakahva	1,231 m/s ² K=1,5 m/s ²

- Ilmoitettu värinän kokonaisarvo on mitattu standardikoemenetelmän mukaan ja sitä voidaan käyttää verrattaessa työkaluja keskenään
- Ilmoitettua värinän kokonaisarvoa voidaan myös käyttää altistumisen ennakoarvioinnissa.

HUOMAA: Sähkötyökalun todellisen käytön aikana ilmenevä värinä voi erota työkalun käytölle ilmoitetusta arvosta. Käyttäjän suojelemiseksi on todellisissa käyttöolosuhteissa käytettävä käsiineitä ja kuulosuojaimia.

PAKKAUSLUETTELO

OSAN NIMI	MÄÄRÄ
Trimmeri	1
Suojus	1
Tukikahvayksikkö	1
Kuusiokoloavain	1
Käyttäjän käsikirja	1

KUVAUS

TUNNE SIIMALEIKKURISI (kuva A)

1. Liipaisin
2. Takakahva
3. Lukituksenpoistokytkin
4. Nopeudensäädin
5. Pehmeä kaulus
6. Säädettävä tukikahva
7. Siimapää
8. Siimansyöttöpainike
9. Siimaleikkurin terä
10. Suojus
11. Poistomekanismi
12. Sähköliitäntä
13. Salpa
14. Akun vapautuspainike

KOKOONPANO

VAROITUS: Jos jokin osa on vahingoittunut tai puuttuu, älä käytä tuotetta ennen kuin osat on vaihdettu. Tuotteen käyttö silloin, kun siinä on vahingoittuneita osia tai osia puuttuu, saattaa aiheuttaa vakavan henkilövahman.

VAROITUS: Älä yritä muokata tätä laitetta tai luoda sille lisävarusteita, joita ei suositella käytettäväksi tämän siimaleikkurin kanssa. Mikä tahansa tällainen muokkaus tai muutos on väärinkäytös ja saattaa aiheuttaa vaarallisen tilan, joka saattaa johtaa vakavaan henkilövahmaan.

VAROITUS: Poista akku työkalusta aina, kun kokoat osia. Näin varmistat, ettei laite käynnisty vahingossa eikä aiheuta vakavia henkilövahinkoja.

SUOJUKSEN KIINNITTÄMINEN

VAROITUS: Käytä aina hansikkaita, kun kiinnität tai vaihdat suojaa. Huolehdi, että suojan terä ei leikkaa käsiäsi.

VAROITUS: Älä ikinä käytä työkalua ilman, että suoja on kunnolla paikallaan. Suojan on aina oltava työkalussa käyttäjän suojaamiseksi! Kun suoja on kiinteä, älä ikinä poista tai säädä sitä. Jos suojan vaihtaminen on tarpeen, vain asiantunteva huoltoteknikko voi vaihtaa sen!

Löystä ja poista kaksi yhdistelmäruuvia varren tyvestä (kuva B). Linjaa suojuksen kiinnitysaukot kokoonpanoaukkojen kanssa ja lukitse suojuksen sitten varren tyveen ruuvien avulla. Varmista, että suojuksen on paikallaan kuvien B ja C mukaisesti, käänteinen kiinnitys aiheuttaa merkittävän vaaran!

EDESSÄ OLEVAN APUKAHAVAN KIINNITYS JA SÄÄTÄMINEN

Työnnä edessä oleva apukahva varteeseen (kuva E) ja laita sitten kiristystuki kahva-aukkoon (kuva F), kiinnitä lukkosalko ja lukitse ne siipimutterilla (kuva G). Sarja kuvataan kuvassa D. Säädä lopuksi edessä olevan apukahvan asentoa, kunnes edessä oleva kätesi on suorassa, kun käytät leikkuria (kuva H) ja lukitse sitten lukkosalon vipu (kuva I).

Kuvien D ja H osien kuvaus alla:

D-1	Edessä oleva apukahva	D-4	Siipimutteri
D-2	Lukkosalko	H-1	Pehmeä kaulus
D-3	Kiristystuki	H-2	Varoitusmerkintä

HUOMAA: Edessä olevan apukahvan tulee osoittaa ylös kahvan yläosa kohti.

VAROITUS: Kiinnitä edessä oleva apukahva vain varren pehmeän kauluksen eteen.

VAROITUS: Työkalua ei voi käyttää ilman, että edessä oleva apukahva on kiinnitetty turvallisesti.

KÄYTTÖ

VAROITUS: Älä anna perehtyneisyyden tuotteeseen saada sinua huolimattomaksi. Muista, että sekunnin murto-osa huolimattomuutta riittää aikaansaamaan vakavan henkilövahingon.

VAROITUS: Käytä aina suojaajaseja sivusuojilla. Yhdessä kuulosuojaimien kanssa. Muussa tapauksessa silmiin voi lentää roskia ja muita mahdollisia vakavia vahinkoja tapahtua.

VAROITUS: Älä käytä lisäosia tai lisävarusteita, joita tuotteen valmistaja ei ole suositellut. Suosittelemattomien lisäosien tai lisävarusteiden käyttö voi aiheuttaa vakavan henkilövahingon.

VAROITUS: Käytä oikealla leikkuusiimalla varustettua trimmeriä vain ruohon ja vastaavan materiaalin leikkaamiseen.

Tätä laitetta voi käyttää seuraavassa kerrotuihin tarkoituksiin:

Trimmaus: käytetään nurmikon ja rikkaruohojen poistamiseen seinien, aitojen, puiden ja rajojen lähellä.

Leikkaaminen: käytetään sellaisen nurmikon leikkaamiseen, johon on vaikea päästä käsiin perinteisellä ruohonleikkurilla.

HUOMAA: Laitetta tulee käyttää vain sille tarkoitettuun tarkoitukseen. Muunlainen käyttö, esimerkiksi pensaiden leikkuu, lasketaan vääriinkäyttöksi.

AKUN LIITTÄMINEN/POISTAMINEN

Lataa täyteen ennen ensimmäistä käyttökertaa.

Liittäminen

Aseta akun urat kiinnitysaukkoihin ja paina akkua alaspäin, kunnes kuulet naksahduksen. (kuva J)

Poistaminen

Paina akun vapautuspainiketta ja vedä akku ulos kuvan K osoittamalla tavalla.

OTE SIIMALEIKKURISTA

VAROITUS: Pukeudu asianmukaisesti, niin vähennät vammariskia tätä laitetta käyttäessäsi. Älä käytä löysiä vaatteita tai koruja. Käytä silmä- ja kuulosuojaimia. Käytä paksuja, pitkiä housuja, kunnollisia jalkineita ja hansikkaita. Älä käytä lyhyitä housuja, sandaaleita tai ole paljain jaloin.

Pidä leikkuria molemmin käsin ennen sen käynnistämistä niin, että toinen kätesi on takakahvalla ja toinen edessä olevalla suoralla apukahvalla (kuva L). Tarkista sitten, että seisot tasapainoisesti sopivan leikkausmatkan päässä ilman kumartumista.

SIIMALEIKKURIN KÄYNNISTÄMINEN/ SAMMUTTAMINEN

Käynnistys

Paina lukituksenpoistokytkin alas ja pidä sitä pohjassa. Paina liipaisinta kuvan M osoittamalla tavalla käynnistäaksesi siimaleikkurin.

Sammutus

Vapauta lukituksenpoistokytin ja liipaisin.

HUOMAA: Moottorilla on kaksi leikkausnopeutta, asento 1 alemmalle nopeudelle ja asento 2 korkeammalle nopeudelle kuvan M osoittamalla tavalla. Paina nopeudensäädintä sopivaan asentoon leikkaamisen aikana.

Kuva M osien kuvaus alla:

M-1	Asento 1
M-2	Asento 2

VAROITUS: Poista akku siimaleikkurista aina, kun pidät työstä taukoa ja kun lopetat sen käytön.

TRIMMERIN KÄYTTÖ

VAROITUS: Pidä vakavien henkilövahinkojen välttämiseksi suojalaseja tai turvalaseja aina, kun käytät tätä laitetta. Pidä kasvo- tai hengityssuojainta pölyisissä olosuhteissa.

Tyhjennä leikattava alue ennen jokaista käyttöä. Poista kaikki esineet, kuten kivet, rikkoutunut lasi, naulat, vajeri tai siima, jotka voivat sinkoutua leikkuulaitteesta tai sotkeutua siihen. Tyhjennä alue lapsista, sivullisista ja lemmikkieläimistä. Pidä lapset, sivulliset ja lemmikkieläimet vähintään 15 m:n päässä. Sinkoutuvat esineet voivat silti vielä aiheuttaa vaaraa sivullisille. Sivullisia tulee kannustaa pitämään suojalaseja. Jos joku lähestyy sinua, sammuta moottori ja leikkuulaite välittömästi.

Tarkasta trimmeri ennen jokaista käyttöä vaurioituneiden/kuluneiden osien varalta

Tarkasta siimapää, suojus ja tukikahva ja vaihda halkeilleet, vääntyneet, taipuneet tai jollakin tavalla vaurioituneet osat.

Suojuksen reunassa oleva siiman rajoitusterä voi tylsyä ajan myötä. Suosittelemme, että teroitat sen määräajoin viialla tai vaihdat sen uuteen terään.

VAROITUS: Käytä aina käsineitä, kun asennat suojusta tai teroitat terää tai vaihdat sen. Varo suojuksessa olevaa terää ja suojele kättä leikkautumiselta.

Puhdista trimmeri jokaisen käytön jälkeen.

HUOMAUTUS: Tukokset ilma-aukoissa estävät ilman virtaamisen moottorikehikkoon ja voivat aiheuttavat ylikuumentumista tai moottorin vahingoittumisen.

- Käytä työkalun puhdistamiseen vain mietoa saippuaa ja kosteaa liinaa. Älä koskaan päästä nestettä työkalun sisälle; älä koskaan upota työkalun mitään osaa nesteeseen.

- Pidä moottorin kotelon ja varren tuuletusaukot aina vapaina leikkuujätteestä

VAROITUS: Älä koskaan käytä vettä leikkurin puhdistamiseen. Älä käytä liuottimia, kun puhdistat muoviosia. Suurin osa muoveista on alttiita vahingoittumaan markkinoilla olevista liuottimista. Käytä lian, tomun, öljyn, rasvan yms. poistamiseen puhdasta liinaa.

LEIKKAUSSIIMAN PITUUDEN SÄÄTÄMINEN

Käyttäjät voi siimapään avulla vapauttaa lisää leikkuusiimaa moottoria sammuttamatta. Kun siima hankautuu tai kuluu, siimaa voidaan vapauttaa lisää kopauttamalla kevyesti siiman säätönuppia maahan trimmerin käytön aikana (katso kuva N).

HUOMAA: Siiman vapautus vaikeutuu, kun leikkaussiima lyhenee.

VAROITUS: Pidä leikkuusiima aina täysipituuisena. Siiman vapautus vaikeutuu, kun leikkaussiima lyhenee.

SIIMAN VAIHTAMINEN

VAROITUS: Älä ikinä käytä metallilla vahvistettua siimaa, rautalankaa, narua yms. Ne saattavat katketa ja muodostaa vaarallisia ammuksia.

Leikkaussiiman voi vaihtaa kahdella tavalla:

1. Kelaa rullaan uusi siima.
2. Asenna esikelattu siima (AS1300, AS1301, AS1302, tarvittaessa saatavilla jälleenmyyjältä).

Kelaa rullaan uusi siima

Paina rullan tyvessä olevia vapautuspainiketta ja vedä rullakiinnitin ulos (kuva O). Vedä ulos noin 7m uutta leikkaussiimaa. Taita ja kelaa se rullalle kuvien P ja Q osoittamalla tavalla. Laita sitten siiman päät rullan vastakkaisen lovien läpi (kuva R) ja aseta rulla takaisin kiinnittimeen niin, että lovet ovat samassa linjassa kiinnittimen pujotusreikien kanssa (kuva T). Lopuksi linjaa kiinnittimen aukot rullan tyven nappien kanssa samaan kohtaan ja paina kiinnittintä tasaisesti alas, kunnes se naksahtaa paikalleen (kuva S).

HUOMAA: Puhdista kelanpidin, kela ja kelateline aina ennen siimapään uudelleen kokoamista. Tarkasta kelanpidin, kela ja kelateline kulumisen varalta. Vaihda kuluneet osat tarvittaessa.

HUOMAA: Jos siimaa ei kierretä osoitettuun suuntaan, siimapää ei toimi oikein.

Esikelatun siiman asennus

Paina rullan tyvessä olevia vapautuspainiketta ja vedä rullakiinnitin ulos (kuva O). Laita sitten esikelatuu siima kiinnittimeen niin, että sen lovet ovat samassa linjassa kiinnittimen pujotusreikien kanssa (kuva T). Lopuksi linjaa kiinnittimen aukot rullan tyven nappien kanssa samaan kohtaan ja paina kiinnittintä tasaisesti alas, kunnes se naksahtaa paikalleen (kuva S).

Kuvien S ja T osien kuvaus alla:

S-1	Tab	T-1	Notch
S-2	Slot	T-2	Eyelet

HUOMAA: Varmista, että kelateline napsahtaa paikoilleen tai kela irtaota käytön aikana.

HUOLTO

VAROITUS: Käytä huollon yhteydessä vain valmistajan hyväksymiä varaosia. Muiden osien käyttö voi aiheuttaa vaaran tai vahingoittaa tuotetta. Tarkasta ja huolla kone säännöllisin väliajoin. Valtuutetun huoltoteknikon tulee suorittaa kaikki korjaukset, jotta voidaan taata tuotteen turvallinen ja luotettava käyttö.

VAROITUS: Akkutyökaluja ei tarvitse kytkeä sähköverkkoon; ne ovat siksi aina käyttökunnossa. Estä vakava henkilövahinko olemalla erityisen varovainen, kun suoritat kunnossapittoa, huoltoa tai kun vaihdat leikkulauaitetta tai muita lisäosia.

VAROITUS: Irrota vakavien henkilövahinkojen estämiseksi akkuyksikkö työkalusta ennen lisäosien huoltoa, puhdistusta ja vaihtoa tai materiaalin poistamista laitteesta.

LAITTEEN PUHDISTUS

- Puhdista laite kostealla liinalla ja miedolla puhdistusaineella
- Älä käytä voimakkaita puhdistusaineita muovikoteloon tai kahvaan. Tiettyä hyväntuoksuiset öljyt (esim. mänty ja sitruuna) ja paloöljyn kaltaiset liuottimet voivat vaurioittaa niitä. Kosteus voi myös aiheuttaa sähköiskun vaaran. Pyyhi kosteus pois pehmeällä ja kuivalla liinalla.
- Puhdista moottorin kotelon tuuletusaukot pienellä harjalla tai pölynimurin harjalla.

LAITTEEN VARASTOINTI

- Irrota akkuyksikkö trimmeristä, kun trimmeriä ei käytetä.

- Puhdista työkalu perusteellisesti ennen varastointia.
- Varastoi laite kuivaan, hyvin ilmastoituu tilaan, joka on lukittu tai muuten lasten ulottumattomissa. Älä varastoi laitetta lannoitteiden, bensiinin tai muiden kemikaalien päälle tai viereen.

Ympäristönsuojelu



Älä hävitä sähkölaitteita, akun latauslaitteita ja akkuja/ladattavia akkuja kotitalousjätteen mukana!

Euroopan parlamentin ja neuvoston direktiivin 2012/19/EU mukaan sähkö- ja elektroniikkalaitteet, jotka eivät ole enää käyttökelpoisia, ja Euroopan parlamentin ja neuvoston direktiivin 2006/66/EY mukaan vialliset tai käytetyt akkuyksiköt/ akut täytyy kerätä erikseen.

Jos sähkölaitteet hävitetään viemällä kaatopaikoille tai roskalajiin, vaarallisia aineita voi vuotaa pohjaveteen ja päästä ravintoketjuun ja vahingoittaa täten ihmisten terveyttä ja hyvinvointia.

EY-VAATIMUSTENMUKAISUUS- VAKUUTUS



Me, CHERVON EUROPE LTD.

47 CASTLE STREET, READING, RG1 7SR, UNITED KINGDOM

Vakuutamme, että tuote **56 V:n litiumioniakulla toimiva johdoton trimmeri ST1300E** noudattaa seuraavien direktiivien keskeisiä terveys- ja turvallisuusvaatimuksia:

2006/42/EY, 2014/30/EU, 2011/65/EU, 2000/14/EC

Standardit ja tekniset erittelyt, joihin viitataan:

EN 60335-1, EN 50636-2-91, EN ISO 11806-1, EN ISO 12100, EN 62233, EN 55014-1, EN 55014-2

Mitattu äänen tehotaso: 89,25 dB(A).

Taattu äänen tehotaso: 93 dB(A).

Peter Melrose
Chevron Europan varapuheenjohtaja

Dong Jianxun
Chevronin laatujohtaja

* (Auktorisoitu CHERVONin edustaja ja vastuusta teknisistä asiakirjoista)

01/04/2016

VIANETSINTÄ

ONGELMA	SYY	RATKAISU
Trimmeri ei käynnisty	<ul style="list-style-type: none"> ■ Akkuyksikköä ei ole asetettu trimmeriin ■ Ei sähkökontaktia trimmerin ja akun välillä. ■ Akkuyksikkö on tyhjä ■ Lukitusvipua ja liipaisinta ei paineta samanaikaisesti. 	<ul style="list-style-type: none"> ■ Aseta akkuyksikkö trimmeriin ■ Irrota akku, tarkasta koskettimet ja asenna akkuyksikkö takaisin. ■ Lataa akkuyksikkö ■ Paina lukitusvipu alas ja pidä sitä painettuna, käynnistä sen jälkeen trimmeri painamalla liipaisinta.
Trimmeri sammuu leikkauksen aikana.	<ul style="list-style-type: none"> ■ Suojusta ei ole asennettu trimmeriin, mistä seuraa liian pitkä leikkuusiima ja moottorin ylikuormittuminen ■ Käytetään paksua leikkuusiimaa. ■ Moottorin varteen tai siimapäähän on takertunut ruohoa. ■ Moottori on ylikuormittunut. ■ Akkuyksikkö tai trimmeri on liian kuuma ■ Akkuyksikköä ei ole kytketty työkaluun ■ Akkuyksikkö on tyhjä. 	<ul style="list-style-type: none"> ■ Irrota akkuyksikkö ja asenna suojus trimmeriin ■ Käytä vain halkaisijaltaan enintään 2,0mm nylonvalmisteista leikkuusiimaa ■ Sammuta trimmeri, irrota akku ja poista ruoho moottorin varresta ja siimapästä. ■ Irrota siimapää ruohosta. Moottori toimii jälleen heti, kun kuormitus on poistettu. Liikuta leikatessa siimapäätä leikattavaan ruohoon ja pois äläkä leikkaa kerralla yli 20cm pituudelta. ■ Anna akkuyksikön tai trimmerin jäähtyä, kunnes lämpötila laskee alle 67 °C:een. ■ Asenna akkuyksikkö uudelleen. ■ Lataa akkuyksikkö.
Siimapästä ei tule siimaa.	<ul style="list-style-type: none"> ■ Moottorin varteen tai siimapäähän on takertunut ruohoa ■ Kelassa ei ole tarpeeksi siimaa ■ Siimapää on likainen. ■ Siima on sotkussa kelalla ■ Siima on liian lyhyt. 	<ul style="list-style-type: none"> ■ Sammuta trimmeri, irrota akku ja poista ruoho moottorin varresta ja siimapästä. ■ Irrota akku ja vaihda leikkuusiima. Noudata tämän käsikirjan osiota "SIIMAN VAIHTO". ■ Irrota akku ja puhdista kela, kelanpidin ja kelateline. ■ Irrota akku, poista siima kelalta ja kierrä se uudelleen kelalle. Noudata tämän käsikirjan osiota "SIIMAN VAIHTO". ■ Irrota akku ja vedä siimojen päistä samalla, kun vuorotellen painat siiman säätönupin alas ja vapautat sen.

ONGELMA	SYY	RATKAISU
Ruohoa kietoutuu siimapään ja moottorin kotelon ympärille.	<ul style="list-style-type: none">■ Pitkää ruohoa leikataan maan tasolla.	<ul style="list-style-type: none">■ Estä ruohon kietoutuminen leikkaamalla pitkä ruoho ylhäältä alaspäin poistaen yhdellä liikkeellä kerrallaan vain 20cm ruohoa.
Siima ei leikkaa hyvin.	<ul style="list-style-type: none">■ Suojuksen reunassa oleva siiman rajoitusterä on tylsynyt.	<ul style="list-style-type: none">■ Teroita siiman rajoitusterä viilalla tai vaihda se uuteen terään.

TAKUU

EGO-TAKUUKÄYTÄNTÖ

Katso verkkosivuilta osoitteesta egopowerplus.com EGO-takuukäytännön ehdot ja edellytykset kokonaisuudessaan.

LES ALLE INSTRUKSJONER!



LES OG FORSTÅ INSTRUKSJONSBOKEN

⚠ Restrisiko! Personer med elektroniske enheter, for eksempel pacemakere, må rådføre seg med lege før de bruker dette produktet. Drift av elektrisk utstyr i umiddelbar nærhet av en pacemaker kan føre til at pacemakeren forstyrres eller svikter.

⚠ ADVARSEL: For sikre både sikkerheten og påliteligheten, skal alle reparasjoner utføres av en kvalifisert servicetekniker.

SIKKERHETSSYMBOLER

Formålet med sikkerhetssymbolene er å trekke oppmerksomheten din mot mulige faresituasjoner. Sikkerhetssymbolene og forklaringene krever din fulle oppmerksomhet og forståelse. Symbolvarslene eliminerer ikke farer på egen hånd. Instruksjonene og advarslene som finnes i dem er ikke erstatninger for passende ulykkesforebyggende tiltak.

⚠ ADVARSEL: Sørg for å lese og forstå alle sikkerhetsanvisningene i denne bruksanvisningen, inkludert alle sikkerhetsvarselssymboler så som «FARE», «ADVARSEL» og «FORSIKTIG» før du bruker dette verktøyet. Hvis du ikke følger alle instruksjonene nedenfor, kan det føre til elektriske støt, brann og/eller alvorlig personskade.

NO

SYMBOLFORKLARINGER

SIKKERHETSSYMBOL: Indikerer FARE, ADVARSEL eller FORSIKTIG. Kan brukes sammen med andre symboler eller piktogrammer.



⚠ ADVARSEL: Bruk av hvilke som helst elektroverktøy kan føre til at fremmedlegemer blir kastet mot øynene, og dette kan føre til alvorlig øyeskader. Før du begynner å bruke elektroverktøyet, skal du alltid bruke vernebriller eller vernebriller med sidebeskyttelse, og en full ansiktsskjerm der det trengs. Vi anbefaler en Wide Vision Safety Mask til bruk over briller, eller standard vernebriller med sidebeskyttelse.

SIKKERHETSINSTRUKSJONER

Denne siden viser og beskriver sikkerhetssymboler som finnes på produktet. Les, forstå og følg alle instruksjoner på maskinen før begynner montering og bruk.

	Sikkerhetsvarsel	Forsiktighetsregler som har med sikkerheten din å gjøre.
	Les brukermanualen.	For å redusere risikoen for skader, må brukeren lese og forstå bruksanvisningen før produktet brukes.
	Bruk vernebriller	Bruk alltid vernebriller eller vernebriller med sidebeskyttelse, og full ansiktsskjerm når du bruker dette produktet.
	Bruk hørselvern	Hørselsvern er påbudt når produktet brukes.
	Linediameter	Diameteren på nylonkuttelinen
	Klippebredde	Maks. klippebredde på gresstrimmeren
	Ingen knivbladene	Installer ikke metall eller plast knivbladene
	Må ikke utsettes for regn	Skal ikke brukes i regn eller legges igjen utendørs mens det regner.
	Hold tilskuere borte.	Sørg for at andre mennesker og kjøledyr er minst 15m unna gresstrimmeren når den er i bruk.
	Hold tilskuere borte.	Sørg for at andre mennesker og kjøledyr er minst 15m unna gresstrimmeren når den er i bruk.
V	Volt	Spenning
A	Ampere	Strøm
Hz	Hertz	Frekvens (sykluser per sekund)
W	Watt	Effekt
min	Minutter	Klokkeslett
	Vekselstrøm	Typen spenning
	Likestrøm	Type eller karakteristikk for spenningen

n_0	Hastighet uten last	Rotasjonshastighet, uten last
... /min	Pr. minutt	Omdreininger pr. minutt

VIKTIGE SIKKERHETSINSTRUKSJONER

⚠ ADVARSEL: Når du bruker trimmere, må du alltid følge grunnleggende sikkerhetsregler for å redusere risikoen for brann, elektrisk støt og personskade, inkludert følgende:

LES NØYE FØR BRUK

BEHOLD FOR SENERE BRUK

⚠ FARE: Ikke stol på verktøyets isolasjon mot elektrisk sjokk. For å redusere risikoen for elektriske støt, skal maskinen aldri brukes i nærheten av ledninger eller kabler (strøm, osv.) som kan være strømsatte.

⚠ FORSIKTIG: Bruk egnet personlig hørselsvern under bruk. Under visse forhold til og brukslengder, kan støy fra dette produktet bidra til hørselstap.

TRENING

- Les instruksene nøye. Vær fortrolig med betjeningsinstrumentene og riktig bruk av maskinen.
- La aldri folk som ikke er kjent med disse instruksjonene, eller barn, bruke maskinen. Lokale regelverk kan ha krav til aldersgrense for operatøren.
- Husk at operatøren er ansvarlig for skade som skjer andre folk eller gjenstander.

FORBEREDELSE

- Bruk aldri maskinen mens folk, og spesielt barn eller kjæledyr, er i nærheten.
- Bruk vernebriller og solide sko hele tiden mens du bruker maskinen.
- Avstanden mellom maskinen og tilskuere skal være minst 15 meter.
- Ikke bruk metallblader.

DRIFT

- Maskinen skal bare brukes i dagslys eller med god kunstig belysning.
- Bruk aldri maskinen med skadede skjermer eller skjold, eller uten skjermer eller skjold på plass.
- Motoren skal bare slås på når hender og føtter er borte fra kuttedelene.

- Koble alltid maskinen fra strømforsyningen (dvs. ta ut støpselet fra stikkkontakten eller fjern deaktiveringssenheten).
 - når maskinen forlattes uten tilsyn;
 - før fjerning av en blokkering;
 - før du sjekker, rengjør eller arbeider på maskinen.
 - etter å ha støtt på et fremmedlegeme.
 - når maskinen begynner å vibrere unormalt.
- Pass på at hender og føtter ikke skades av kuttedelene.
- Pass alltid på at ventilasjonsåpningene holdes frie for rusk.

VEDLIKEHOLD OG LAGRING

- Koble alltid maskinen fra strømforsyningen (dvs. ta ut støpselet fra stikkkontakten eller fjern deaktiveringssenheten) før det utføres vedlikehold eller rengjøring.
- Bruk bare produsentens anbefalte reservedeler og tilbehør.
- Inspiser og vedlikehold maskinen regelmessig. Maskinen skal repareres av et autorisert verksted.
- Når den ikke er i bruk, skal maskinen oppbevares utilgjengelig for barn.

ANDRE SIKKERHETSADVARSLER

- Unngå farlige omgivelser – ikke bruk trimmere på fuktige eller våte steder.
- Slå alltid av gresstrimmeren eller ta ut batteriet når du forlater trimmeren uten tilsyn.
- Må ikke brukes i regn.
- Hold barn borte – alle tilskuere bør holdes på avstand fra arbeidsområdet.
- Kle deg riktig – Ikke bruk løstsittende klær eller smykker. Disse kan sette seg fast i bevegelige deler. Bruk av gummihandsker og solid fottey anbefales når du arbeider utendørs. Bruk hårnett hvis du har langt hår.
- Bruk vernebriller – bruk alltid ansikts- eller støvmaske hvis arbeidet er støvete.
- Bruk riktig verktøy – ikke bruk verktøyet til noen jobb det ikke er laget for.
- Ikke tving trimmeren – den vil gjøre jobben bedre, og med mindre sannsynlighet for risiko for skade ved frekvensen som den ble laget for.
- Ikke strekk deg for langt – pass på å ha skikkelige fotfeste og balanse til enhver tid.
- Vær på vakt – følg med på det du gjør. Bruk sunn fornuft. Ikke bruk trimmeren når du er trøtt.
- Bruk aldri trimmeren hvis du er påvirket av alkohol eller stoff.

NO

- Hold skjermene på plass, og i orden.
- Oppbevar maskinen innendørs – når den ikke er i bruk skal trimmeren lagres innendørs på et tørt og høyt eller låst sted, med batteriet fjernet og utilgjengelig for barn.
- Vedlikehold trimmeren nøye – hold skjæreutstyret rent for å få best ytelse, og for å redusere risikoen for skader. Følg instruksjonene for bytte av tilbehør. Hold håndtakene tørre, rene og frie for olje og fett.
- Se etter skadede deler – både før og etter bruk, skal skjerm eller andre skadede deler undersøkes nøye for å fastslå om de vil fungere riktig og oppfylle den tiltenkte funksjonen sin. Sjekk justeringen av bevegelige deler, etter oppbinding av bevegelige deler, deler som er ødelagt, montering og eventuelle andre forhold som kan påvirke driften. Skjerm eller andre ødelagte deler må repareres forsvarlig eller skiftes ut av et autorisert servicesenter dersom ikke annet er angitt andre steder i denne håndboken.
- Rydd området som skal skjæres før hver bruk. Fjern alle gjenstander så som steiner, knust glass, spiker, ståltråd, eller line som kan kastes eller bli viklet inn i kuttedeler. Pass på at andre personer og dyr er minst 15m unna.
- Før du bruker maskinen, og etter slag, må du se etter tegn på slitasje eller skade, og reparere hvis det er nødvendig.
- Hold alltid trimmeren fast og med begge hender på håndtakene under drift. Ta tak i håndtakene med fingre og tomler.
- Unngå utilsiktet start – ikke bære trimmeren med fingeren på utløseren.
- Ikke bruk trimmeren i petroliske eller eksplosive atmosfærer. Motorene i disse apparatene vil normalt gnistre, og gnistene kan antenne damper.
- Du må ikke ta på farlige deler som beveger seg, før du har slått av maskinen (eller tatt ut batteriet), og de farlige delene har stanset helt.
- Skade på trimmeren – hvis du treffer på et fremmedlegeme med trimmeren eller den blir viklet inn, skal verktøyet stoppes umiddelbart, batteriet tas ut av gresstrimmeren, og sjekkes for skader. Eventuelle skader skal repareres for man forsøker videre drift. Skal ikke brukes med skadet skjerm eller spole.
- Hvis utstyret begynner å vibrere unormalt, stoppes motoren, batteriet tas ut av gresstrimmeren, og trimmeren sjekkes umiddelbart for å finne årsaken. Vibrasjoner er vanligvis en advarsel om at noe er galt. Et løst hode kan vibrere, sprekke, brette eller løsne fra trimmeren, noe som kan resultere i alvorlige eller livstruende skader. Pass på at skjæreutstyret er festet skikkelig i posisjon. Hvis hodet løsner etter at det er satt på plass, må det byttes umiddelbart. Bruk aldri en trimmer som har løst kutterutstyr.
- Bytt sprukket, skadet eller utslitt skjærehodet umiddelbart, selv om skaden er begrenset til overfladiske sprekker. Slikt tilbehør kan knuses ved høye hastigheter, og forårsake alvorlige eller livstruende skader.
- Kontroller kuttedelene med jevne, korte mellomrom under drift, eller umiddelbart hvis det oppstår en merkbart endring i kutteatferden.
- Bruk kun EGO™ sitt autoriserte polymer trimmerlinetilbehør og trimmerline som er utviklet for bruk med dette verktøyet. Selv om visse uautoriserte tilbehør kan monteres på EGO™-gresstrimmere, kan bruk av slike være ekstremt farlig og/eller skadelig for verktøyene.
- For å redusere risikoen for alvorlige skader, skal det aldri brukes wire eller metall-forsterket line eller annet materiale i stedet for nylonkuttelin. Stykker av linen kan brette av og bli kastet i høy hastighet mot brukeren eller tilskuere.
- For å redusere risikoen for skader fra tap av kontroll, skal man aldri bruke den på en stige eller på annen usikker støtte. Hold aldri kutteutstyret over hofte høyde.
- Hvis situasjoner oppstår som ikke er dekket i denne håndboken, må du utvise forsiktighet og god dømmekraft. Kontakt EGOs servicesenter for å få hjelp.
- Ikke lad batteripakken i regn eller på våte steder.
- Skal bare brukes med batteripakkene og laderne som er oppført nedenfor:

BATTERI	LADER
BA1120E, BA2240E, BA2800, BA3360, BA4200	CH5500E, CH2100E

- Batteripakken må fjernes fra apparatet før det kasseres.
- Batteriet skal avhendes på en sikker måte.
- Ikke kast batteriet i ild. Cellene kan eksplodere. Sjekk de lokale forskriftene for avhending av batterier.
- Ikke åpne eller skad batteriet. Elektrolytter som avgis er etsende, og kan forårsake skade på øyne og hud. Kan være giftig ved svelging.
- Vær forsiktig når du håndterer batterier, slik at du ikke kortslutter batteriet med ledende materialer så som ringer, armbånd og nøkler. Batteriet eller lederen kan bli overopphetet og forårsake brannskader.
- Ved service skal det bare brukes identiske reservedeler fra EGO™. Bruk av annet utstyr eller tilbehør kan øke risikoen for skader.

- Batteriverktøy trenger ikke å være koblet til et strømttak; derfor er de alltid klare til bruk. Vær oppmerksom på mulige farer, selv når verktøyet ikke er i drift. Vær forsiktig når du utfører vedlikehold eller service.
- Ikke vask med hageslange; unngå å få vann i motoren og i elektriske kontakter.
- Ta vare på disse instruksjonene. Referer til dem ofte, og bruk dem til å instruere andre som kan komme til å bruke verktøyet. Hvis du låner ut verktøyet til noen andre, må de også få låne disse instruksjonene, for å hindre feilbruk av produktet og mulige skader.
- Under bruk av maskinen skal det alltid brukes solid fottey og lange bukser.
- Alltid ha sikkert fotfeste i bakker, og gå, aldri løp.

TA VARE PÅ DISSE INSTRUKSJONENE!

SPESIFIKASJONER

Spenning	56 V $\overline{\text{---}}$	
Hastighet uten last	5200-6500 /min	
Kutteteknikk	Støthode	
Kuttelinje-type	AL0802 2.0mm Nylon vri linje	
Klippebredde	33 cm	
Vekt (uten batteripakke)	2,76 kg	
Målt lydeffektnivå L_{WA}	89,25 dB(A) K=2,5 dB(A)	
Maksimal lydtryknivå ved brukers øre L_{PA}	75,2 dB(A) K=2,5 dB(A)	
Garantert lydeffektnivå L_{WA} (målt i henhold til 2000/14/EC)	93 dB(A)	
Vibrasjon a_n	Fremre hjelpehåndtak	2,134 m/s ² K=1,5 m/s ²
	Bakre håndtak	1,231 m/s ² K=1,5 m/s ²

- Den deklarerte totale vibrasjonsverdien er målt i overensstemmelse med en standard testmetode, og kan brukes til å sammenligne ett verktøy med et annet;
- Den deklarerte totale vibrasjonsverdien kan også brukes i en foreløpig vurdering av eksponering.

MERK: Vibrasjoner under faktisk bruk av elektroverktøyet kan variere fra den opplyste verdien der verktøyet brukes; For å beskytte brukeren, skal det brukes hansker og hørselsvern under de faktiske bruksforholdene.

PAKKELISTE

NAVN PÅ DEL	MENGDE
Linetrimmer	1
Skjerming	1
Montering av fremre hjelpehåndtak	1
Sekskantnøkkel	1
Bruksanvisning	1

BESKRIVELSE

KJENN GRESSTRIMMEREN DIN (Fig. A)

1. Utløser
2. Bakhåndtak
3. Låsespak
4. Justeringsbryter for hastighet
5. Myk slire
6. Justerbart fremre hjelpehåndtak
7. Støthode (kuttehode)
8. Bump-knapp
9. Linekuttingsblad
10. Skjerming
11. Utkastingsmekanisme
12. Elektriske kontakter
13. Lås
14. Batteriutløsningsknapp

MONTERING

⚠ ADVARSEL: Hvis noen av delene er skadet eller mangler, må du ikke bruke dette produktet før delene er skiftet ut. Bruk av dette produktet med skadede eller mangler deler kan føre til alvorlig personskade.

⚠ ADVARSEL: Ikke forsøk å modifisere dette produktet eller lage tilbehør som ikke er anbefalt for bruk med denne gresstrimmeren. Enhver slik endring eller modifisering er misbruk, og kan føre til farlige situasjoner og mulige alvorlige personskader

⚠ ADVARSEL: For å hindre utilsiktet start som kan føre til alvorlig personskade, skal batteripakken alltid tas ut av verktøyet når du monterer deler.

MONTERING AV SKJERMEN

⚠ ADVARSEL: Bruk alltid hansker ved montering eller bytte av skjermen. Vær forsiktig med bladet på skjermen, og beskytt hånden mot kutt.

⚠ ADVARSEL: Bruk aldri verktøyet uten skjermen på plass. Skjermen skal alltid være på verktøyet, for å beskytte brukeren! Når skjermen er festet, skal man aldri forsøke å fjerne eller justere den, og hvis det er nødvendig med bytte, skal det utføres av en kvalifisert servicetekniker!

Løsne og fjern de to kombinasjonsskruene fra nederst på skaftet (Fig. B). Juster skjermmonteringskullene med monteringskullene og lås skjermen på skaftbasen med de to skruene. Sørg for at skjermen er festet slik fig. B og C viser. Omvendt festing kan forårsake stor skade!

MONTERING OG JUSTERING AV FREMRE HJELPEHÅNDTAK

Skvy det fremre hjelpehåndtaket på skaftet (fig. E), og sett klemblokken inn i håndtakssporet (fig. F). Monter låsepålen og lås med vingemutteren (fig. G). Sekvensen gjøres som vist i fig. D. Til slutt justeres det fremre hjelpehåndtakets posisjon slik at den fremre armen din er rett når du bruker trimmeren (fig. H) og deretter låses spaken på låsepålen (fig. I).

Fig. D og H delebeskrivelse, se nedenfor:

D-1	Fremre hjelpehåndtak	D-4	Vingemutter
D-2	Låsepåle	H-1	Mykt erme
D-3	Klemmeblokk	H-2	Advarselsetikett

MERK: Det fremre hjelpehåndtaket vris oppover slik at det peker mot toppen av håndtaket.

⚠ ADVARSEL: Det fremre hjelpehåndtaket skal bare festes i fronten av den myke hylsen på skaftet.

⚠ ADVARSEL: Verktøyet kan ikke brukes uten hvis det fremre hjelpehåndtaket er skikkelig festet.

DRIFT

⚠ ADVARSEL: Ikke la fortrolighet med dette produktet gjøre deg uforsiktig. Husk at et uforsiktig tiendedel av et sekund er nok til å forårsake alvorlige skader.

⚠ ADVARSEL: Bruk alltid vernebriller med sidebeskyttelse. Sammen med hørselsvern. Unnlåteelse av å gjøre dette kan resultere i at gjenstander som blir kastet kommer inn i øynene, og andre mulige og alvorlige skader.

⚠ ADVARSEL: Ikke bruk tilbehør eller deler som ikke er anbefalt av produsenten av produktet. Bruk av tilbehør eller deler som ikke er anbefalt kan føre til alvorlige personskader.

⚠ ADVARSEL: Bruk bare gresstrimmeren din når den er utstyrt med riktig kutteline, for å klippe gress og lignende materiale.

Du kan bruke dette produktet til de formålene som er oppført nedenfor:

Trimming: brukes for å fjerne gress og ugress inntil vegger, gjerder, trær og grenser.

Kutting: brukes for å klippe gress som er vanskelig å komme til med en vanlig gressklipper.

MERK: Verktøyet skal bare brukes til det foreskrevne formålet sitt. All annen bruk, for eksempel kantklipping, anses for å være misbruk

AV-/PÅSETTING AV BATTERIPAKKEN

Lad helt opp før første gangs bruk.

Feste

Juster batteririllene sammen med monteringssporene, og trykk batteripakken ned til du hører et „klikk“. (fig. J)

Løsning

Trykk ned batteriutløserknappen, og trekk batteripakken ut slik fig. K viser.

HVORDAN HOLDE GRESSTRIMMEREN

⚠ ADVARSEL: Kle deg riktig for å redusere risikoen for skader når du bruker dette verktøyet. Ikke bruk løstsittende klær eller smykker. Bruk vernebriller og øre/hørselsvern. Bruk tunge og lange bukser, støvler og hansker. Ikke bruk korte bukser eller sandaler, og ikke gå barbert.

Før du bruker den, må trimmeren holdes med begge hender, en hånd på det bakre håndtaket og den andre på det fremre hjelpe håndtaket, som skal være rett (fig. L). Så sjekker du at du har balansert fotfeste og en skikkelig kutteavstand, uten at operatøren bøyer seg.

START/STOPP AV GRESSTRIMMEREN

For å starte

Trykk ned låsespaken, og hold den i den posisjonen. Trykk på avtrekkeren for å slå på gresstrimmeren som Fig. M viser.

For å stoppe

Slipp låsespaken og avtrekkeren.

MERK: Motoren har to hastigheter for skjæring: posisjon «1» for lavere hastighet og posisjon «2» for høy hastighet, som fig. M viser. Bare trykk justeringsbryteren for hastighet til passende stilling under kuttingen.

Fig. M delebeskrivelse, se nedenfor:

M-1	Posisjon 1
M-2	Posisjon 2

⚠ ADVARSEL: Batteripakken må alltid fjernes fra gresstrimmeren under pauser og etter endt arbeid.

BRUKE GRESSTRIMMEREN

⚠ ADVARSEL: For å unngå alvorlige personskader skal det brukes briller eller vernebriller hele tiden mens du bruker denne enheten. Bruk en ansiktsmaske eller støvmaske i støvete omgivelser.

Rydd området som skal skjæres før hver bruk. Fjern alle gjenstander så som steiner, knust glass, spiker, ståltråd, eller line som kan kastes eller bli viklet inn i kuttetdelene. Se til at området er fritt for barn, tilskuere og dyr. Minimum er at alle barn, tilskuere og dyr er minst 15m unna; det kan fremdeles være fare for at forbipasserende treffes av gjenstander som slynges ut. Tilskuere bør oppmuntres til å bruke vernebriller. Hvis du blir kontaktet, stopper du motoren og kutteutstyret umiddelbart.

Før hver bruk skal det sjekkes etter skadede/slitte deler

Sjekk støthodet, skjermen og det fremre hjelpehåndtaket, og bytt de delene som har sprekker, er vridd, bøyd eller skadet på noen måte.

Line-kutteskiven på kanten av skjermen kan bli sløv over tid. Det anbefales at du med jevne mellomrom skjærer den med en fil eller bytter den med et nytt blad.

⚠ ADVARSEL: Alltid bruk hansker ved montering av skjermen eller bytte av bladet. Vær forsiktig med bladet på skjermen, og beskytt hånden mot kutt.

Etter hver bruk, skal trimmeren rengjøres.

⚠ FORSIKTIG: Hindringer i ventilene vil hindre luft fra å komme inn i motorhuset, og resultere i overoppheting eller skade på motoren.

- Verktøyet skal bare rengjøres med mild såpe og en fuktig klut. Aldri la væske komme inn i verktøyet; aldri dypp noen del av verktøyet i væske.
- Hold lufteventiler i motorhuset og skaffet frie for rusk til enhver tid

⚠ ADVARSEL: Bruk aldri vann til rengjøring av trimmeren din. Unngå å bruke løsemidler når plastdeler skal rengjøres. De fleste plasttyper er utsatt for skader fra ulike typer kommersielle løsemidler. Bruk rene kluter for å fjerne skitt, støv, olje, fett, etc.

JUSTERING AV KUTTLINELENGDEN

Støthodet gjør at brukeren kan frigjøre mer kutteline uten å stoppe motoren. Etter hvert som linen blir frynset eller slitt, kan ekstra linje frigis med et lett trykk på støtknotten mot bakken under bruk av trimmeren (se fig.N).

MERK: Lineutslippet blir vanskeligere ettersom kuttelinen blir kortere.

⚠ ADVARSEL: Ikke fjern eller endre linekuttingsbladet montering. Overdreven linjelengde vil føre til at motoren overopphetes og kan resultere i alvorlig personskade.

BYTTE AV LINE

⚠ ADVARSEL: Aldri bruk metallforsterket linje, wire, tau, etc. Disse kan knekke av og bli farlige prosjektiler.

Det finnes to metoder for å bytte trimmerlinen:

1. Vikle spolen med ny linje.
2. Installer en ferdig innrullet spole (AS1300, AS1301, AS1302, om nødvendig, tilgjengelig fra forhandler).

Vikle spolen med ny line

Trykk på de to utløsertappene på spolebasen, og trekk spoleholderen ut (fig. O). Ta ut ca 7m ny kutteline. Brett og vikle den på skjæen slik fig. P og Q viser. Deretter plasseres linen gjennom de to motsatte hakkene i skjæen (fig. R) og skjæen settes i holderen sin med hakkene på linje med holdemaljene (fig. T). Til slutt justeres holder-sporene inn med tappene på skjebasen, og holderen trykkes jevnt ned, samtidig som man sikrer at den knepper på plass (fig. S).

MERK: Spoleholderen skal alltid rengjøres, samt spole og spolebasen før man monterer trimmerhodet. Sjekk spoleholderen, spolen og spolebasen for slitasje. Om nødvendig byttes slitte deler.

MERK: Unnlattelse av å vikle linen i retningen som er merket, vil føre til at trimmerhodet fungerer feil.

Installere en ferdig opprullet spole

Trykk på de to utløsertappene på spolebasen, og trekk spoleholderen ut (fig. O). Deretter plasseres en ferdig innrullet spole inn i holderen med hakkene på linje med holdemaljene (fig. T). Til slutt justeres holder-sporene inn med tappene på skjebasen, og holderen trykkes jevnt ned, samtidig som man sikrer at den knepper på plass (fig. S).

Fig. S og T delebeskrivelse, se nedenfor:

S-1	Fane	T-1	Innsnitt
S-2	Hull	T-2	Øyehull

MERK: Pass på at tappene på spolebasen klikker på plass, ellers vil spolen komme ut under drift.

VEDLIKEHOLD

⚠ ADVARSEL: Ved service skal det bare brukes originale reservedeler. Inspiser og vedlikehold maskinen regelmessig. For sikre både sikkerheten og påliteligheten, skal alle reparasjoner utføres av en kvalifisert servicetekniker.

⚠ ADVARSEL: Batteriverktøy trenger ikke å være koblet til et strømuttak; derfor er de alltid klare til bruk. For å unngå alvorlig personskade, skal det tas ekstra forholdsregler og utvises forsiktighet når du utfører vedlikehold, service eller bytting av kutteutstyr eller annet tilbehør.

⚠ ADVARSEL: For å unngå alvorlig personskade, tas batteriet ut av verktøyet før service, rengjøring, bytte av tilbehør eller fjerning av materiale fra enheten.

RENGJØRING AV ENHETEN

- Rengjør enheten med en fuktig klut og mildt rengjøringsmiddel.
- Ikke bruk sterke vaskemidler på plasthuset eller håndtaket. De kan bli skadet av visse aromatiske oljer, slik som furu og sitron, og av løsemidler som parafin. Fuktighet kan også føre til fare for støt. Tørk av eventuell fuktighet med en myk, tørr klut.
- Bruk en liten pensel eller luftutslippet fra en liten støvsugerbørste til å holde luftventilene fri for hindringer på det bakre huset.

LAGRING AV ENHETEN

- Fjern batteripakken fra trimmeren når den ikke er i bruk.
- Rengjør verktøyet grundig før lagring.
- Lagre enheten tørt og godt ventilert, låst inne eller høyt oppe, og utilgjengelig for barn. Ikke oppbevar enheten på eller nær gjødsel, bensin eller andre kjemikalier.

Beskytt miljøet



Elektrisk utstyr, batterilader og batterier/oppladbare batterier skal ikke kastes i husholdningsavfall.

Ifølge EU-forskrift 2012/19/EU, skal elektrisk og elektronisk utstyr som ikke lenger er brukbart, og som i henhold til EU-forskrift 2006/66/EC har defekte eller brukte batteripakker/batterier, samles inn separat.

Hvis elektrisk apparater kastes på søppefyllinger, kan farlige stoffer lekke ut i grunnvannet og komme inn i næringskjeden, og forårsake skader på helse og velvære.

EU-SAMSVARERKLÆRING



Vi, CHERVON EUROPE LTD.

47 CASTLE STREET, READING, RG1 7SR, UNITED KINGDOM

Erklærer at produktet **56V lithium-ion batteridrevet gresstrimmer ST1300E** er i samsvar med de grunnleggende helse- og sikkerhetskravene i følgende direktiver:

2006/42/EF, 2014/30/EU, 2011/65/EU, 2000/14/EF

Standarder og tekniske spesifikasjoner som det refereres til:

EN 60335-1, EN 50636-2-91, EN ISO 11806-1, EN ISO 12100, EN 62233, EN 55014-1, EN 55014-2

Målt lydeffektnivå: 89,25 dB(A).

Garantert lydeffektnivå: 93 dB(A).

Peter Melrose
Visepresident for Chervon Europe

Dong Jianxun
Kvalitetsdirektør hos Chervon

* (Autorisert representant for CHERVON og ansvarlig for teknisk dokumentasjon)

01/04/2016

FEILSØKING

PROBLEM	ÅRSAK	LØSNING
Linetrimmeren vil ikke starte.	<ul style="list-style-type: none"> ■ Batteripakken er ikke festet til trimmeren. ■ Ingen elektrisk kontakt mellom trimmeren og batteriet. ■ Batteripakken er tom. ■ Låsespaken og utløseren ble ikke trykket inn samtidig. 	<ul style="list-style-type: none"> ■ Fest batteripakken til trimmeren. ■ Fjern batteriet, sjekk kontakter og installer batteripakken. ■ Lad opp batteripakken. ■ Trykk ned låsespaken og hold den inne, og trykk deretter på utløseren for å starte gresstrimmeren.
Gresstrimmeren stopper under trimmingen.	<ul style="list-style-type: none"> ■ Skjermen er ikke montert på trimmeren, noe som resulterer i altfor lang kutteline og overbelastning av motoren. ■ Tung kutteline brukes. ■ Motorakselen eller trimmerhodet er tettet av gress. ■ Motoren er overbelastet. ■ Batteripakken eller gresstrimmeren er for varm. ■ Batteripakken er koblet fra verktøyet. ■ Batteripakken er tom. 	<ul style="list-style-type: none"> ■ Ta ut batteripakken og fest skjermen på trimmeren. ■ Brukes bare med nylonkutteline med 2,0mm diameter eller mindre. ■ Stopp trimmeren, ta ut batteriet, og fjern gress fra motorakselen og trimmerhodet. ■ Fjern trimmerhodet fra gresset. Motoren vil begynne å arbeide igjen straks belastningen er fjernet. Når du kutter, flyttes trimmerhodet inn og ut av gresset som skal klippes, og ikke fjern mer enn 20cm lengde i et enkelt kutt. ■ La batteripakken eller trimmeren kjøle seg ned til temperaturen synker under 67 °C. ■ Installer batteripakken på nytt. ■ Lad opp batteripakken.
Trimmerhodet vil ikke slippe ut line.	<ul style="list-style-type: none"> ■ Motorakselen eller trimmerhodet er tettet av gress. ■ Det er ikke nok line på spolen. ■ Trimmerhodet er skittent. ■ Linen er vaset sammen på spolen. ■ Linen er for kort. 	<ul style="list-style-type: none"> ■ Stopp trimmeren, ta ut batteriet, og fjern gress fra motorakselen og trimmerhodet. ■ Ta ut batteriet og sett på kuttelinen i henhold til avsnittet «LINEBYTTE» i denne bruksanvisningen. ■ Ta ut batteriet og rengjør spolen, spoleholderen og spolebasen. ■ Ta ut batteriet, fjern linen fra spolen og spol den tilbake; følg avsnittet «LINEBYTTE» i denne bruksanvisningen. ■ Ta ut batteriet og trekk linene mens du vekselvis trykker ned på og slipper støtknotten.

PROBLEM	ÅRSAK	LØSNING
Gress vikler seg rundt trimmerhodet og motorhuset.	<ul style="list-style-type: none">▪ Klipping av høyt gress på bakkenivå.	<ul style="list-style-type: none">▪ Klipp høyt gress fra toppen og ned, og ikke fjern mer enn 20cm i hver passering, for å hindre opphopning.
Linen kutter ikke bra.	<ul style="list-style-type: none">▪ Linekappskiven på kanten av skjermen har blitt sløv.	<ul style="list-style-type: none">▪ Skjerp linekappskiven med en fil, eller bytt den ut med en ny.

GARANTI

EGOs GARANTIREGLER

Besøk nettsiden egopowerplus.com for å se fullstendige vilkår og betingelser for EGO-garantireglene.

ПРОЧИТАЙТЕ ВСЕ ИНСТРУКЦИИ!



ПРОЧИТАЙТЕ И РАЗБЕРИТЕСЬ С РУКОВОДСТВОМ ПОЛЬЗОВАТЕЛЯ

⚠ Остаточные риски! Если вы используете электронные устройства, такие как кардиостимулятор, перед эксплуатацией данного устройства проконсультируйтесь с врачом. Использование электрооборудования в непосредственной близости от кардиостимулятора может привести к образованию помех и повреждению кардиостимулятора.

⚠ ПРЕДУПРЕЖДЕНИЕ. Чтобы обеспечить безопасность и надежность устройства, его ремонт и замену частей должен выполнять квалифицированный специалист.

СИМВОЛЫ БЕЗОПАСНОСТИ

Символы безопасности предназначены для привлечения внимания к возможным рискам. Символы безопасности, а также объяснения к ним, требуют особого внимания и понимания. Предупреждения по технике безопасности сами по себе не устраняют опасность. Инструкции и предупреждения не заменяют соответствующие меры по предотвращению несчастных случаев.

⚠ ПРЕДУПРЕЖДЕНИЕ. Перед использованием устройства внимательно прочитайте все инструкции в данном руководстве пользователя и ознакомьтесь с предупреждающими символами безопасности, такими как «ОПАСНОСТЬ», «ПРЕДУПРЕЖДЕНИЕ» и «ВНИМАНИЕ». Несоблюдение всех приведенных ниже инструкций может привести к поражению электрическим током, возникновению пожара и/или получению серьезных травм.

ЗНАЧЕНИЕ СИМВОЛОВ

ПРЕДУПРЕЖДАЮЩИЙ СИМВОЛ Означает УВЕДОМЛЕНИЯ, ПРЕДУПРЕЖДЕНИЯ и ПРЕДОСТЕРЕЖЕНИЯ. Может использоваться с другими символами или изображениями.







⚠ ПРЕДУПРЕЖДЕНИЕ. В результате работы электроинструмента в глаза могут попасть посторонние предметы, что приведет к серьезному повреждению глаз. Перед началом использования электроинструмента всегда надевайте

защитную маску или защитные очки с боковыми щитками и полнопрофильную защитную маску (при необходимости). Поверх очков или стандартных защитных очков рекомендуется надевать маску Wide Vision Safety.

ИНСТРУКЦИИ ПО ТЕХНИКЕ БЕЗОПАСНОСТИ

Далее приведено изображение и описание символов безопасности, которые могут присутствовать на данном устройстве. Перед сборкой или использованием внимательно прочитайте все инструкции, приведенные на устройстве, и соблюдайте их.

	Предупреждение об опасности	Меры предосторожности, касающиеся безопасности.
	Внимательно прочитайте руководство пользователя.	Чтобы уменьшить риск получения травм, перед использованием устройства необходимо прочитать и понять руководство по эксплуатации.
	Надевайте защитные очки.	При работе с данным устройством всегда используйте защиту для глаз или защитные очки с боковыми щитками и полнопрофильную защитную маску.
	Используйте средства защиты органов слуха.	При использовании устройства всегда надевайте средства защиты органов слуха.
	Диаметр лески	Диаметр нейлоновой режущей лески
	Ширина резания	Макс. ширина резания триммера с леской
	Без ножа	Не устанавливайте металлические или пластиковые лезвия
	Не оставляйте под дождем.	Во время дождя не используйте устройство и не оставляйте его вне помещения.

	Не позволяйте посторонним людям находиться поблизости.	Убедитесь, что другие люди и животные находятся на расстоянии не менее 15 м от работающего устройства.
	Не позволяйте посторонним людям находиться поблизости.	Убедитесь, что другие люди и животные находятся на расстоянии не менее 15 м от работающего устройства.
V	Вольт	Напряжение
A	Амперы	Сила тока
Hz	Герц	Частота (оборотов в секунду)
W	Ватт	Мощность
min	Минуты	Время
	Переменный ток	Тип тока
	Постоянный ток	Тип или характеристика тока
n_0	Скорость работы без нагрузки	Скорость вращения без нагрузки
... /min	В минуту	Оборотов в минуту

⚠ ВНИМАНИЕ! Во время использования устройства надевайте соответствующие индивидуальные средства защиты органов слуха. При определенных условиях и длительности использования шум от данного устройства может привести к потере слуха.

ОБУЧЕНИЕ

- Внимательно прочитайте инструкции. Ознакомьтесь со всеми элементами управления и научитесь правильному использованию оборудования.
- Никогда не позволяйте пользоваться устройством детям или людям, не знакомым с этими инструкциями. Местные нормы могут ограничивать возраст оператора.
- Помните, что оператор или владелец несут ответственность за несчастные случаи и ущерб, нанесенный другим людям или их имуществу.

ПОДГОТОВКА

- Не используйте устройство, если рядом с вами находятся люди (особенно дети) или животные.
- При работе с устройством надевайте защитные очки и прочную обувь.
- Расстояние между устройством и посторонними лицами должно составлять не менее 15 м.
- Не используйте металлические лезвия.

ИСПОЛЬЗОВАНИЕ

- Используйте инструмент только при дневном свете или хорошем искусственном освещении.
- Не используйте инструмент, если щитки повреждены или не установлены.
- Перед запуском двигателя убедитесь, что режущие части находятся на достаточном расстоянии от рук и ног.
- Всегда отключайте устройство от источника питания (т.е. извлекайте вилку из розетки или отключайте отключающее устройство) в следующих случаях:
 - если инструмент остается без присмотра;
 - перед очисткой засорения;
 - перед проверкой, очисткой или выполнением работ, связанных с устройством;
 - после столкновения с посторонним предметом;
 - в случае чрезмерной вибрации устройства.
- Чтобы не допустить получения травм, руки и ноги должны находиться на безопасном расстоянии от режущих частей.
- Следите за тем, чтобы вентиляционные отверстия не были засорены.

RU

ВАЖНЫЕ ИНСТРУКЦИИ ПО ТЕХНИКЕ БЕЗОПАСНОСТИ

⚠ ПРЕДУПРЕЖДЕНИЕ. При использовании триммеров с леской необходимо соблюдать следующие основные меры предосторожности для уменьшения вероятности возникновения пожара, поражения электрическим током и получения травм.

ВНИМАТЕЛЬНО ПРОЧИТАЙТЕ ПЕРЕД ИСПОЛЬЗОВАНИЕМ

СОХРАНИТЕ ДЛЯ ИСПОЛЬЗОВАНИЯ В БУДУЩЕМ

⚠ ОПАСНО! Не полагайтесь на изоляцию устройства от поражения электрическим током. Чтобы снизить риск поражения электрическим током, не используйте устройство вблизи каких-либо проводов или кабелей (питания и др.), которые могут быть под напряжением.

ОБСЛУЖИВАНИЕ И ХРАНЕНИЕ

- Прежде чем выполнять обслуживание или очистку, всегда отключайте устройство от источника питания (т.е. извлеките вилку из розетки или отключайте отключающее устройство).
- Используйте только запасные части и дополнительные приспособления, рекомендованные производителем.
- Регулярно проверяйте и выполняйте техническое обслуживание устройства. Ремонт устройства должен выполнять только квалифицированный специалист.
- Если инструмент не используется, храните его в недоступном для детей месте.

ПРОЧИЕ ПРЕДУПРЕЖДЕНИЯ ПО ТЕХНИКЕ БЕЗОПАСНОСТИ

- Не допускайте работы в опасных условиях — не используйте триммеры в сырых и влажных местах.
- Всегда выключайте устройство или извлекайте из него аккумулятор, когда оставляете триммер без присмотра.
- Не используйте во время дождя.
- Не подпускайте к устройству детей — все посторонние должны находиться на безопасном расстоянии от обрабатываемого участка.
- Одевайтесь надлежащим образом — не надевайте свободную одежду и украшения. Они могут попасть в движущиеся части. Рекомендуется использовать резиновые перчатки и прочную обувь при работе на открытом воздухе. Надевайте защитный головной убор, чтобы убрать длинные волосы.
- Используйте защитные очки — если во время работы возникает пыль, надевайте маску для лица или респиратор.
- Используйте подходящий инструмент — не используйте устройство не по назначению.
- Не прилагайте чрезмерных усилий к триммеру — использование с предназначенной скоростью способствует более эффективному выполнению работы с меньшим риском получения травмы.
- Не тянитесь — во время работы всегда сохраняйте устойчивое положение.
- Будьте бдительны — следите за выполняемой работой. Руководствуйтесь здравым смыслом. Не пользуйтесь триммером, если устали.
- Не используйте триммер, если вы находитесь под воздействием алкоголя или наркотических средств.
- Защитные ограждения должны быть установлены и находиться в рабочем состоянии.
- Храните триммер внутри помещения — если устройство не используется, его необходимо хранить в сухом, высоком или закрытом месте, недоступном для детей, с извлеченным аккумулятором.
- Аккуратно обслуживайте триммер — для оптимальной производительности и снижения риска получения травмы следите за тем, чтобы режущее приспособление было острым и чистым. Соблюдайте инструкции по замене принадлежностей. Следите за тем, чтобы рукоятки были сухими и чистыми и на них не было масла или смазочного материала.
- Проверяйте инструмент на наличие поврежденных частей — перед дальнейшим использованием инструмента необходимо тщательно проверить защитное ограждение или другие поврежденные части и убедиться в их исправной работе и выполнении предназначенной функции. Проверьте правильное положение и сцепление движущихся частей, наличие их повреждений, крепление и другие условия, которые могут повлиять на работу электроинструмента. В случае повреждения щиток или другие части необходимо отремонтировать надлежащим образом или заменить в авторизованном сервисном центре, если не указано иное в данном руководстве пользователя.
- Очищайте обрабатываемый участок перед каждым использованием инструмента. Удалите такие предметы, как камни, осколки стекла, гвозди, проволоку или веревки, которые могут запутаться в режущем приспособлении или которые оно может отбросить. Убедитесь, что другие люди и животные находятся на расстоянии не менее 15 м от работающего устройства.
- Перед началом и после завершения использования инструмента проверьте его на наличие износа и повреждений; при необходимости отремонтируйте.
- Во время использования всегда крепко держите триммер обеими руками за рукоятки. Обхватите рукоятки пальцами.
- Чтобы предотвратить случайное включение, во время переноски не держите палец на курке.
- Не используйте триммер в горючих и взрывоопасных средах. Во время работы двигатель устройства генерирует искры, которые могут воспламенить горючие газы.
- Прежде чем прикасаться к опасным движущимся частям, отключите устройство от источника питания (или извлеките аккумулятор из устройства) и дождитесь, пока движущиеся части полностью остановятся.

- Повреждение триммера — если устройство столкнулось с посторонним предметом или запуталось в чем-либо, немедленно выключите его, извлеките аккумулятор, проверьте триммер на наличие повреждений и отремонтируйте повреждение перед следующим использованием устройства. Не используйте устройство с поврежденными щитком или катушкой.
- Если устройство чрезмерно вибрирует, заглушите двигатель, извлеките из устройства аккумулятор и немедленно выясните причину. Обычно вибрация указывает на возникновение проблемы. Ослабленная головка может вибрировать, трескаться, ломаться или соскочить с триммера, что может привести к серьезным травмам или смерти. Убедитесь, что режущее приспособление установлено должным образом и надежно закреплено. Если головка расшатывается после закрепления, немедленно замените ее. Никогда не используйте триммер, если какие-либо его части плохо закреплены.
- Немедленно замените режущую головку, если она треснула, повреждена или изношена, даже если повреждение находится только на поверхности. Поврежденные приспособления могут разрушиться на высокой скорости и нанести серьезные или фатальные травмы.
- Регулярно проверяйте режущее приспособление во время использования, а также сразу после обнаружения серьезных изменений в работе устройства.
- Используйте только авторизованные EGO™ приспособления для полимерных лесок триммеров и режущие лески, разработанные специально для этого устройства. Несмотря на то что неавторизованные приспособления могут быть установлены на триммеры EGO™, их использование очень опасно и/или может привести к повреждению устройства.
- Чтобы снизить риск получения серьезных травм, никогда не используйте проволоку, усиленную металлом леску и другие материалы вместо нейлоновой режущей лески. Кусочки проволоки могут отламываться и отбрасываться с большой скоростью в сторону оператора и стоящих рядом.
- Чтобы снизить риск получения травм при потере контроля, никогда не работайте на стремянке или на любой другой неустойчивой поверхности. Никогда не поднимайте режущее приспособление выше уровня талии.
- При возникновении ситуаций, не описанных в данном руководстве, соблюдайте осторожность и руководствуйтесь здравым смыслом. Обратитесь в сервисный центр EGO за помощью.
- Не заряжайте аккумулятор под дождем или во влажных условиях.

- Используйте только аккумуляторы и зарядные устройства, указанные ниже.

АККУМУЛЯТОР	ЗАРЯДНОЕ УСТРОЙСТВО
BA1120E, BA2240E, BA2800, BA3360, BA4200	CH5500E, CH2100E

- Прежде чем выбрасывать устройство, необходимо извлечь аккумулятор.
- Аккумулятор необходимо утилизировать безопасным способом.
- Не бросайте аккумуляторы в огонь. Аккумуляторы могут взорваться. Ознакомьтесь с местными нормами и правилами, которые могут содержать специальные инструкции по утилизации.
- Не вскрывайте и не деформируйте аккумулятор. Вытекший электролит может стать причиной коррозии и привести к повреждению глаз или кожи. Он токсичен при проглатывании.
- Будьте осторожны при обращении с аккумуляторами, чтобы не замкнуть контакты предметами из проводящих материалов, такими как кольца, браслеты и ключи. Аккумулятор или контакт могут перегреться и вызвать ожоги.
- При ремонте используйте только идентичные запасные части EGO™. Использование других принадлежностей или приспособлений может привести к получению травмы.
- Работающие от аккумуляторов инструменты не требуются подключать к розетке электросети, поэтому они всегда готовы к использованию. Помните о возможности возникновения опасных ситуаций даже когда устройство не используется. Соблюдайте осторожность при выполнении технического обслуживания или ремонта.
- Не мойте устройство из шланга. Избегайте попадания воды в двигатель и электрические соединения.
- Сохраните данные инструкции. Регулярно просматривайте их и предоставляйте для ознакомления другим пользователям. Одалживая кому-либо устройство, передайте также данные инструкции для предотвращения неправильного использования и возможных травм.
- При работе с устройством всегда надевайте прочную обувь и длинные брюки.
- Сохраняйте устойчивое положение на склонах. Передвигайтесь шагом, не бегайте.

СОХРАНИТЕ ДАННЫЕ ИНСТРУКЦИИ!

ТЕХНИЧЕСКИЕ ХАРАКТЕРИСТИКИ

Напряжение	56 В $\overline{\text{---}}$	
Скорость вращения без нагрузки	5200-6500 об/мин.	
Режущий механизм	Головка катушки	
Тип режущей лески	AL0802 2.0мм Нейлон твист линии	
Ширина резания	33 см	
Масса (без аккумулятора)	2,76 кг	
Измеренный уровень звуковой мощности L_{WA}	89,25 дБ (А) K=2,5 дБ (А)	
Максимальная уровень звукового давления на уши оператора L_{PA}	75,2 дБ (А) K=2,5 дБ (А)	
Гарантированный уровень звуковой мощности L_{WA} (измерен в соответствии с 2000/14/ЕС)	93 дБ (А)	
Вибрация a_h	Передняя вспомогательная рукоятка	2,134 м/с ² K=1,5 м/с ²
	Задняя рукоятка	1,231 м/с ² K=1,5 м/с ²

- Указанный общий показатель уровня вибрации был определен с помощью стандартного теста и может быть использован для сравнения разных инструментов.
- Указанный общий уровень вибрации может использоваться также для предварительной оценки уровня воздействия.

ПРИМЕЧАНИЕ. Реальное вибрационное воздействие электроинструмента может отличаться от указанного в зависимости от способа использования. В целях безопасности оператор должен надевать перчатки и средства защиты органов слуха во время использования устройства.

УПАКОВОЧНЫЙ ЛИСТ

НАЗВАНИЕ ДЕТАЛИ	КОЛИЧЕСТВО
Триммер с леской	1
Щиток	1
Узел передней вспомогательной рукоятки	1
Шестигранный ключ	1
Руководство по эксплуатации	1

ОПИСАНИЕ

ЧАСТИ ТРИММЕРА С ЛЕСКОЙ (Рис. А)

1. Курок
2. Задняя рукоятка
3. Рычаг блокировки
4. Переключатель скорости
5. Мягкая накладка
6. Регулируемая передняя вспомогательная рукоятка
7. Головка катушки (режущая головка)
8. Фиксатор катушки
9. Лезвие для лески
10. Щиток
11. Выталкивающий механизм
12. Электрические контакты
13. Фиксатор
14. Кнопка фиксации аккумулятора

СБОРКА

⚠ ПРЕДУПРЕЖДЕНИЕ. Если какие-либо части повреждены или отсутствуют, не используйте устройство, пока они не будут заменены. Использование устройства в случае повреждения или отсутствия частей может привести к получению серьезной травмы.

⚠ ПРЕДУПРЕЖДЕНИЕ. Не пытайтесь изменить конструкцию триммера или создать не рекомендованные для него дополнительные приспособления. Подобное изменение считается ненадлежащим использованием и способствует возникновению опасной ситуации, которая приведет к получению серьезной травмы.

⚠ ПРЕДУПРЕЖДЕНИЕ. Чтобы предотвратить случайное включение устройства и получение серьезной травмы, во время сборки извлекайте аккумулятор.

УСТАНОВКА ЩИТКА

⚠ ПРЕДУПРЕЖДЕНИЕ. Всегда надевайте перчатки при установке и демонтаже щитка. Остерегайтесь лезвия на щитке и берегите руки от порезов.

⚠ ПРЕДУПРЕЖДЕНИЕ. Никогда не используйте устройство без надежно установленного щитка. Щиток всегда должен быть установлен на устройство для защиты пользователя! Если щиток установлен, не пытайтесь ремонтировать или регулировать его. Если его необходимо заменить, эту работу должен выполнить квалифицированный специалист по обслуживанию!

Открутите и удалите два наборных винта с основания вала (Рис. В). Совместите крепежные отверстия щитка с отверстиями для установки, а затем зафиксируйте щиток на основании вала при помощи двух винтов. Убедитесь, что щиток установлен так, как показано на Рис. В и С. Любое другое положение установки может быть очень опасным!

УСТАНОВКА И РЕГУЛИРОВКА ПЕРЕДНЕЙ ВСПОМОГАТЕЛЬНОЙ РУКОЯТКИ

Наденьте переднюю вспомогательную рукоятку на вал (Рис. Е), затем вставьте зажимной блок в отверстие рукоятки (Рис. F), установите фиксатор и закрепите их при помощи барашковой гайки (Рис. G). Последовательность указана на Рис. D. Наконец, отрегулируйте положение передней вспомогательной рукоятки таким образом, чтобы передняя рука была полностью распрямлена при использовании триммера (Рис. H), а затем закрепите рычаг фиксатора (Рис. I).

Описание частей на Рис. D и H:

D-1	Передняя вспомогательная рукоятка	D-4	Барашковая гайка
D-2	Фиксатор	H-1	Мягкая накладка
D-3	Зажимной блок	H-2	Предупреждающая этикетка

ПРИМЕЧАНИЕ. Передняя вспомогательная рукоятка должна быть повернута вверх, чтобы располагаться сверху рукоятки.

⚠ ПРЕДУПРЕЖДЕНИЕ. Фиксируйте переднюю вспомогательную рукоятку только спереди от мягкой накладки.

⚠ ПРЕДУПРЕЖДЕНИЕ. Не используйте устройство без надежно установленной передней вспомогательной рукоятки.

ИСПОЛЬЗОВАНИЕ

⚠ ПРЕДУПРЕЖДЕНИЕ. Не допускайте небрежности и беспечности при работе с устройством. Помните, что потери бдительности на долю секунды достаточно для получения серьезной травмы.

⚠ ПРЕДУПРЕЖДЕНИЕ. Всегда надевайте защитные очки с боковыми щитками, а также средства защиты органов слуха. В противном случае выбрасываемые предметы попадут в глаза, что может привести к получению серьезной травмы.

⚠ ПРЕДУПРЕЖДЕНИЕ. Не используйте насадки или дополнительные приспособления, не рекомендованные производителем устройства. Использование нереконструированных дополнительных приспособлений может привести к серьезным травмам.

⚠ ПРЕДУПРЕЖДЕНИЕ. Используйте триммер, оснащенный подходящей режущей леской, только для скашивания травы и подобных материалов.

Данное устройство можно использовать в следующих целях.

Скашивание: используется для удаления травы и сорняков рядом со стенами, заборами, деревьями и бордюрами.

Резка: используется для скашивания травы, которую трудно достать при помощи обычной газонокосилки.

ПРИМЕЧАНИЕ. Инструмент должен использоваться только по назначению. Любое другое использование (например, обрезка кустов) считается неправильным.

УСТАНОВКА И ДЕМОНТАЖ АККУМУЛЯТОРА

Перед первым использованием полностью зарядите аккумулятор.

Установка

Совместите ребра аккумулятора с крепежными отверстиями и вставьте аккумулятор до щелчка. (Рис. J)

Демонтаж

Нажмите кнопку фиксации аккумулятора и извлеките аккумулятор, как показано на Рис. K.

ОБРАЩЕНИЕ С ТРИММЕРОМ С ЛЕСКОЙ

⚠ ПРЕДУПРЕЖДЕНИЕ. Одевайтесь надлежащим образом, чтобы снизить риск получения травм при использовании данного инструмента. Не надевайте свободную одежду и украшения. Наденьте защиту органов зрения и слуха. Надевайте плотные длинные брюки, прочную обувь и перчатки. Не надевайте шорты, сандалии и не работайте босиком.

Перед началом работы возьмите триммер обеими руками: одной рукой за заднюю рукоятку, а другой — за переднюю вспомогательную рукоятку таким образом, чтобы рука была полностью выпрямлена (Рис. L). Затем примите устойчивое положение, соблюдая надлежащее расстояние для работы, и не перегибайтесь во время использования триммера.

ВКЛЮЧЕНИЕ И ВЫКЛЮЧЕНИЕ ТРИММЕРА С ЛЕСКОЙ

Включение

Нажмите на рычаг блокировки и удерживайте его. Затем зажмите курковый переключатель, чтобы включить триммер, как показано на Рис. М.

Выключение

Отпустите рычаг блокировки и курковый переключатель.

ПРИМЕЧАНИЕ. Двигатель имеет две настройки скорости резки: положение 1 для низкой скорости и положение 2 для высокой скорости, как показано на Рис. М. Просто установите переключатель скорости в нужное положение во время использования триммера.

Описание частей на Рис. М

M-1	Положение 1
M-2	Положение 2

⚠ ПРЕДУПРЕЖДЕНИЕ. Во время перерывов в работе и после ее окончания всегда извлекайте аккумулятор из триммера.

ИСПОЛЬЗОВАНИЕ ТРИММЕРА С ЛЕСКОЙ

⚠ ПРЕДУПРЕЖДЕНИЕ. Во избежание травм всегда надевайте защитные очки при работе с данным устройством. Надевайте маску или респиратор при работе в пыльной среде.

Очищайте обрабатываемый участок перед каждым использованием инструмента. Удалите такие предметы, как камни, осколки стекла, гвозди, проволоку или веревки, которые могут запутаться в режущем приспособлении или которые оно может отбросить. На участке не должны находиться дети, прохожие и животные. Дети, прохожие и животные должны находиться на расстоянии не менее 15м, так как во время работы могут отлетать предметы. Посторонние лица должны надевать защитные очки. В случае приближения посторонних лиц немедленно остановите двигатель и режущее приспособление.

Перед каждым использованием проверяйте устройство на наличие поврежденных и изношенных частей.

Проверьте головку катушки, щиток и переднюю вспомогательную рукоятку и замените треснувшие, деформированные, изогнутые или поврежденные части.

Лезвие для обрезки лески на краю щитка может время от времени затупляться. Рекомендуется периодически затачивать его напильником или заменять новым.

⚠ ПРЕДУПРЕЖДЕНИЕ. Всегда надевайте перчатки при установке щитка, заточке или замене лезвия. Остерегайтесь лезвия на щитке и берегите руки от порезов.

Очищайте триммер после каждого использования.

⚠ ВНИМАНИЕ! Загрязнения в вентиляционных отверстиях могут помешать попаданию воздуха в корпус двигателя и привести к перегреву и повреждению двигателя.

- Для очистки устройства используйте только слабый мыльный раствор и влажную ткань. Никогда не допускайте попадания какой-либо жидкости внутрь инструмента и никогда не погружайте никакие части инструмента в жидкость.
- Следите за тем, чтобы вентиляционные отверстия на корпусе двигателя и вале всегда были чистыми

⚠ ПРЕДУПРЕЖДЕНИЕ. Никогда не используйте воду для очистки триммера. Не используйте растворители для очистки пластиковых элементов. Большинство пластиковых частей чувствительны к различным бытовым растворителям. Для очистки от грязи, пыли, масла, смазки и т. п. используйте чистую ткань.

РЕГУЛИРОВКА ДЛИНЫ РЕЖУЩЕЙ ЛЕСКИ

Головка катушки позволяет оператору вытянуть больше лески, не выключая двигатель. Если леска изнашивается во время использования триммера, слегка прижмите фиксатор катушки к земле, чтобы вытянуть дополнительную леску (см. Рис. N).

ПРИМЕЧАНИЕ. Регулировку сложнее выполнять, когда режущая леска становится короткой.

⚠ ПРЕДУПРЕЖДЕНИЕ. Не демонтируйте и не изменяйте узел лезвия для обрезки лески. Слишком длинная леска может стать причиной перегрева двигателя и серьезных травм.

ЗАМЕНА ЛЕСКИ

⚠ ПРЕДУПРЕЖДЕНИЕ. Никогда не используйте усиленную металлом леску, проволоку, веревку и т.д. Части этих материалов могут отделиться и опасно разлетаться в стороны.

Существует два способа замены режущей лески.

1. Намотайте новую леску на катушку.
2. Установите новую катушку с намотанной леской (AS1300, AS1301, AS1302, имеется в продаже у официальных дилеров).

Намотка новой лески на катушку

Нажмите на два зажима у основания катушки и снимите ее с фиксатора (Рис. О). Возьмите приблизительно 7 м новой режущей лески. Сложите ее и намотайте на катушку, как показано на Рис. P и Q. Затем проденьте концы лески через два паза катушки, расположенных друг напротив друга (Рис. R), и установите катушку на фиксатор, совместив пазы с отверстиями фиксатора (Рис. T). Наконец, совместите разъемы фиксатора с зажимами на основании катушки, прижмите фиксатор и убедитесь, что он надежно встал на место (Рис. S).

ПРИМЕЧАНИЕ. Всегда очищайте фиксатор катушки, катушку и ее основание перед сборкой головки триммера. Проверяйте их на наличие признаков износа. При необходимости замените изношенные части.

ПРИМЕЧАНИЕ. Несоблюдение указанного направления намотки лески может привести к неправильной работе головки триммера.

Установка готовой катушки

Нажмите на два зажима у основания катушки и снимите ее с фиксатора (Рис. О). Затем установите катушку с леской на фиксатор, совместив пазы и отверстиями (Рис. T). Наконец, совместите разъемы фиксатора с зажимами на основании катушки, прижмите фиксатор и убедитесь, что он надежно встал на место (Рис. S).

Описание частей на Рис. S и T

S-1	Зажим	T-1	Паз
S-2	Разъем	T-2	Отверстие

ПРИМЕЧАНИЕ. Убедитесь, что зажимы на основании катушки надежно зафиксировались на месте, в противном случае катушка слетит с триммера во время использования.

ОБСЛУЖИВАНИЕ

⚠ ПРЕДУПРЕЖДЕНИЕ. При ремонте используйте только идентичные запасные части. Регулярно проверяйте и выполняйте техническое обслуживание устройства. Чтобы обеспечить безопасность и надежность устройства, его ремонт должен выполнять квалифицированный специалист.

⚠ ПРЕДУПРЕЖДЕНИЕ. Работающие от аккумуляторов инструменты не требуют подключения к розетке электросети, поэтому они всегда готовы к использованию. Чтобы предотвратить получение серьезных травм, будьте особо осторожны и внимательны при выполнении технического обслуживания, ремонта или замене режущих или других приспособлений.

⚠ ПРЕДУПРЕЖДЕНИЕ. Чтобы предотвратить получение серьезных травм, извлекайте аккумулятор перед выполнением сервисного обслуживания, очистки, замены принадлежностей или удаления материала из устройства.

ОЧИСТКА УСТРОЙСТВА

- Очистите устройство с помощью влажной ткани и мягкого моющего средства.
- Не используйте активные моющие средства для очистки пластикового корпуса или рукоятки. Они могут быть повреждены определенными ароматическими маслами, такими как хвойное и лимонное масла, а также растворителями, например керосином. Кроме того, наличие влаги может привести к поражению электрическим током. Протрите влажное место мягкой сухой тканью.
- С помощью маленькой щетки или нагнетания воздуха с помощью небольшого пылесоса очистите вентиляционные отверстия на задней стороне корпуса от загрязнений.

ХРАНЕНИЕ УСТРОЙСТВА

- Извлеките аккумулятор из устройства, если оно не используется.
- Тщательно очистите устройство перед хранением.
- Храните устройство в сухом, хорошо проветриваемом, закрытом или высоком месте, недоступном для детей. Не храните устройство рядом с удобрениями, бензином или другими химическими веществами.

Защита окружающей среды



Не выбрасывайте электрооборудование, зарядные устройства, батарейки и аккумуляторы вместе с бытовыми отходами!

В соответствии с европейским законом 2012/19/EU электрическое и электронное оборудование, которое не подлежит дальнейшей эксплуатации, а также непригодные и использованные батарейки и аккумуляторы (согласно европейскому закону 2006/66/EC) должны быть утилизированы отдельно.

При утилизации электрических устройств на свалках в подземные воды могут просочиться опасные вещества, которые затем попадут в пищевую цепь и приведут к общему ухудшению здоровья и благополучия.

ДЕКЛАРАЦИЯ О СООТВЕТСТВИИ НОРМАМ

ЕС



Мы, CHERVON EUROPE LTD.

47 CASTLE STREET, READING, RG1 7SR, UNITED KINGDOM

заявляем, что беспроводной триммер ST1300E с леской и литий-ионным аккумулятором 56 В соответствует основным правилам по технике безопасности и производственной санитарии следующих директив:

2006/42/EC, 2014/30/EC, 2011/65/EC, 2000/14/EC

Стандарты и технические требования, относящиеся к:

EN 60335-1, EN 50636-2-91, EN ISO 11806-1, EN ISO 12100, EN 62233, EN 55014-1, EN 55014-2

Измеренный уровень звукового давления: 89,25 дБ (А).

Гарантированный уровень звуковой мощности: 93 дБ (А).

Peter Melrose
Заместитель директора
Chervon Europe

Dong Jianxun
Руководитель отдела
технического контроля Chervon

* (уполномоченный представитель CHERVON и лицо, ответственное за техническую документацию)

01/04/2016

УСТРАНЕНИЕ НЕИСПРАВНОСТЕЙ

ПРОБЛЕМА	ПРИЧИНА	РЕШЕНИЕ
Триммер с леской не запускается.	<ul style="list-style-type: none"> ■ Аккумулятор не установлен в триммер. ■ Нет электрического контакта между триммером и аккумулятором. ■ Аккумулятор разряжен. ■ Рычаг блокировки и курковый переключатель не зажаты одновременно. 	<ul style="list-style-type: none"> ■ Установите аккумулятор в триммер. ■ Извлеките аккумулятор, проверьте контакты и установите его снова. ■ Зарядите аккумулятор. ■ Нажмите на рычаг блокировки и удерживайте его, затем зажмите курковый переключатель, чтобы включить триммер.
Устройство остановилось во время работы.	<ul style="list-style-type: none"> ■ Щиток не установлен на триммер, в результате чего леска стала очень длинной, и двигатель перегрелся. ■ Используется слишком тяжелая режущая леска. ■ Вал двигателя и головка триммера забились травой. ■ Двигатель перегружен. ■ Аккумулятор или триммер перегрелись. ■ Аккумулятор не подключен к устройству. ■ Аккумулятор разряжен. 	<ul style="list-style-type: none"> ■ Извлеките аккумулятор и установите щиток на триммер. ■ Используйте только нейлоновую режущую леску диаметром не более 2мм. ■ Выключите триммер, извлеките аккумулятор и удалите траву из вала двигателя и головки триммера. ■ Поднимите головку триммера над травой. Двигатель начнет работать снова, как только нагрузка уменьшится. Во время скашивания перемещайте головку триммера в траву и из нее, срезая не более 20см длины за раз. ■ Дайте аккумулятору или триммеру остыть, пока температура не упадет ниже 67 °С. ■ Установите аккумулятор. ■ Зарядите аккумулятор.

ПРОБЛЕМА	ПРИЧИНА	РЕШЕНИЕ
Из головки триммера не вытягивается леска.	<ul style="list-style-type: none"> ■ Вал двигателя и головка триммера забились травой. ■ Недостаточно лески в катушке. ■ Головка триммера загрязнена. ■ Леска запуталась в катушке. ■ Леска слишком короткая. 	<ul style="list-style-type: none"> ■ Выключите триммер, извлеките аккумулятор и удалите траву из вала двигателя и головки триммера. ■ Извлеките аккумулятор и замените режущую леску в соответствии с инструкциями в разделе «ЗАМЕНА ЛЕСКИ» данного руководства. ■ Извлеките аккумулятор, очистите катушку, ее фиксатор и основание. ■ Извлеките аккумулятор, снимите леску с катушки и намотайте ее заново в соответствии с инструкциями в разделе «ЗАМЕНА ЛЕСКИ» данного руководства. ■ Извлеките аккумулятор и вытяните леску, нажимая на фиксатор катушки.
Трава наматалась на головку триммера и корпус двигателя.	<ul style="list-style-type: none"> ■ Стрижка высокой травы на уровне земли. 	<ul style="list-style-type: none"> ■ Скашивайте высокую траву сверху вниз и срезайте не более 20 см за один раз, чтобы предотвратить подобные ситуации.
Леска плохо срезает траву.	<ul style="list-style-type: none"> ■ Лезвие для обрезки лески на краю щитка затупилось. 	<ul style="list-style-type: none"> ■ Заточите лезвие для обрезки лески напильником или замените.

ГАРАНТИЯ

ГАРАНТИЙНАЯ ПОЛИТИКА EGO

Посетите веб-сайт egopowerplus.com, чтобы ознакомиться со всеми условиями и сроками гарантийной политики EGO.

RU

PRZECZYTAJ WSZYSTKIE INSTRUKCJE!



**PRZECZYTAJ ZE ZROZUMIENIEM
INSTRUKCJE OBSŁUGI**

⚠ Ryzyko szczątkowe! Osoby z urządzeniami elektronicznymi, takimi jak rozruszniki serca, powinny przed użyciem produktu skonsultować się ze swoim(i) lekarzem/-ami. Używanie urządzeń elektrycznych blisko rozrusznika serca może spowodować zakłócenia lub uszkodzić rozrusznik.

⚠ OSTRZEŻENIE: Aby zagwarantować bezpieczeństwo i niezawodność, wszystkie naprawy i wymiany części powinny być wykonywane przez wykwalifikowanych techników serwisu.

SYMBOLE BEZPIECZEŃSTWA

Celem symboli bezpieczeństwa jest zwrócenie uwagi użytkownika na możliwe zagrożenia. Symbole bezpieczeństwa i objaśnienia do nich zasługują na to, by je uważnie przestudiować i zrozumieć. Symbole bezpieczeństwa nie eliminują same z siebie jakichkolwiek zagrożeń. Podawane w nich instrukcje i ostrzeżenia nie zastępują odpowiednich środków zapobiegania wypadkom.

⚠ OSTRZEŻENIE: Przed użyciem narzędzia prosimy przeczytać i zrozumieć wszystkie instrukcje dotyczące bezpieczeństwa podane w podręczniku użytkownika, łącznie z wszystkimi symbolami ostrzegawczymi takimi jak „NIEBEZPIECZEŃSTWO”, „OSTRZEŻENIE” i „UWAGA”. Niestosowanie się do wszystkich podanych niżej instrukcji może doprowadzić do porażenia prądem, pożaru i/lub poważnych obrażeń.

PL

ZNACZENIE SYMBOLI

SYMBOL OSTRZEGAWCZY: Oznacza **NIEBEZPIECZEŃSTWO**, **OSTRZEŻENIE** lub **PRZESTROGĘ**. Może być używany razem z innymi symbolami lub piktogramami.



⚠ OSTRZEŻENIE: Praca elektronarzędziami może spowodować wyrzucenie ciała obcych w oczy użytkownika, co może doprowadzić do poważnych urazów oczu. Przed rozpoczęciem pracy elektronarzędziem należy zawsze założyć gogle ochronne lub okulary z osłonami bocznymi, a w stosownych przypadkach także pełną

osłonę na twarz. Zalecamy nakładanie na zwykłe okulary maski zabezpieczającej o szerokim polu widzenia lub stosowanie standardowych okularów zabezpieczających z osłonami bocznymi.

INSTRUKCJE DOTYCZĄCE BEZPIECZEŃSTWA

Na tej stronie pokazano i opisano symbole bezpieczeństwa, które mogą występować na produkcie. Przed podjęciem próby złożenia i użycia urządzenia należy przeczytać i zrozumieć wszystkie instrukcje dotyczące urządzenia oraz zastosować się do nich.

	Ostrzeżenie dotyczące bezpieczeństwa	Środki ostrożności istotne dla bezpieczeństwa użytkownika.
	Przeczytaj instrukcję operatora	Aby zmniejszyć ryzyko urazów, użytkownik musi przeczytać i zrozumieć instrukcję przed rozpoczęciem korzystania z produktu.
	Noś okulary ochronne	Podczas używania produktu należy zawsze nosić gogle ochronne lub okulary ochronne z osłonami bocznymi, a także pełną osłonę na twarz.
	Noś ochronniki słuchu	Podczas pracy urządzeniem należy zawsze nosić ochronniki słuchu.
	Średnica żyłki	Średnica żyłki nylonowej
	Szerokość koszenia	Maks.szerokość koszenia podkaszarki
	Nie ostrzem tnącym	Nie należy instalować ostrze tnące metalowe lub z tworzyw sztucznych
	Chroń przed deszczem	Nie używać w deszczu i nie zostawiać na dworze podczas deszczu.
	Osoby postronne trzymaj z daleka	Należy zawsze pilnować, aby inni ludzie i zwierzęta domowe pozostawali w odległości co najmniej 15m od pracującej podkaszarki.

	Osoby postronne trzymaj z daleka	Należy zawsze pilnować, aby inni ludzie i zwierzęta domowe pozostawali w odległości co najmniej 15m od pracującej podkaszarki.
V	Wolt	Napięcie
A	Ampery	Prąd
Hz	Herc	Częstotliwość (cykli na sekundę)
W	Wat	Moc
min	Minuty	Czas
	Prąd zmienny	Rodzaj prądu
	Prąd stały	Rodzaj lub charakterystyka prądu
n_0	Prędkość bez obciążenia	Prędkość obrotowa bez obciążenia
... /min	Na minutę	Obroty na minutę

- Nigdy nie należy pozwalać używać urządzenia osobom nieobeznanim z niniejszą instrukcją lub dzieciom. Przepisy lokalne mogą nakładać ograniczenia dotyczące wieku operatora.
- Należy pamiętać, że operator lub użytkownik ponosi odpowiedzialność za wypadki lub zagrożenia dotyczące osób trzecich lub ich własności.

PRZYGOTOWANIE

- Nigdy nie należy używać urządzenia, gdy w pobliżu znajdują się ludzie (zwłaszcza dzieci) lub zwierzęta domowe.
- W czasie używania urządzenia należy nosić okulary i solidne buty.
- Odległość między maszyną a osobami postronnymi musi wynosić co najmniej 15 metrów.
- Nie należy używać metalowych ostrzy.

UŻYTKOWANIE

- Urządzenia należy używać tylko przy świetle dziennym lub przy dobrym oświetleniu sztucznym.
- Urządzenia nie należy nigdy używać z uszkodzonymi osłonami lub bez założonych osłon.
- Silnik wolno włączyć dopiero wtedy, gdy ręce i stopy znajdują się z dala od urządzenia tnącego.
- W następujących sytuacjach urządzenie należy zawsze odłączyć od zasilania (tj. wyjąć wtyczkę z gniazdka lub wyjąć starter):
 - za każdym razem, gdy urządzenie zostaje pozostawione bez nadzoru;
 - przed odblokowaniem zablokowanego mechanizmu;
 - przed kontrolą, czyszczeniem lub wykonywaniem prac przy urządzeniu;
 - po uderzeniu w dowolny przedmiot;
 - za każdym razem, gdy urządzenie wpada w nietypowe wibracje.
- Należy uważać na ryzyko skaleczenia stóp i rąk elementem tnącym.
- Otwory wentylacyjne muszą być zawsze drożne.

WAŻNE INSTRUKCJE DOTYCZĄCE BEZPIECZEŃSTWA

⚠ OSTRZEŻENIE: Podczas używania podkaszarek elektrycznych, aby zmniejszyć ryzyko pożaru, porażenia prądem i obrażeń, należy zawsze przestrzegać podstawowych zasad bezpieczeństwa, w tym m.in. zaleceń podanych poniżej.

PRZECZYTAJ UWAŻNIE PRZED UŻYCIEM

ZACHOWAJ NA PRZYSZŁOŚĆ

⚠ NIEBEZPIECZEŃSTWO: W odniesieniu do ochrony przed porażeniem prądem nie należy polegać tylko i wyłącznie na izolacji narzędzia. Aby ograniczyć ryzyko porażenia prądem, nigdy nie należy używać narzędzia w pobliżu jakichkolwiek przewodów lub kabli (zasilanie, itp.), które mogą być pod napięciem.

⚠ OSTROŻNIE: Podczas użytkowania należy nosić odpowiednie indywidualne środki ochrony słuchu. W niektórych sytuacjach i przy długotrwałym użytkowaniu hałas generowany przez narzędzie może przyczynić się do utraty słuchu.

SZKOLENIE

- Prosimy uważnie przeczytać instrukcję. Należy zapoznać się z elementami sterującymi i metodami poprawnej obsługi urządzenia.

KONSERWACJA I PRZECHOWYWANIE

- Przed przystąpieniem do czyszczenia lub prac konserwacyjnych urządzenie należy zawsze odłączyć od zasilania (tj. wyjąć wtyczkę z gniazdka lub wyjąć starter).
- Należy używać wyłącznie części zamiennych i akcesoriów zalecanych przez producenta.

- Urządzenie należy regularnie kontrolować i konserwować. Naprawy urządzenia powinny wykonywać wyłącznie serwisant z odpowiednimi uprawnieniami.
- Gdy urządzenie nie jest używane, należy je przechowywać w miejscu niedostępnym dla dzieci.

INNE OSTRZEŻENIA DOTYCZĄCE BEZPIECZEŃSTWA

- Należy unikać pracy w niebezpiecznych warunkach – Nie używać podkaszarek w miejscach mokrych i zawilgoconych.
- Gdy podkaszarka zostaje pozostawiona bez nadzoru, należy ją zawsze wyłączać i wyjmować z niej akumulator.
- Nie używać w czasie deszczu.
- Należy pracować z dala od dzieci – Wszystkie osoby postronne muszą znajdować się poza strefą pracy.
- Należy dbać o właściwy ubiór – Nie nosić luźnych ubrań ani biżuterii. Mogłyby one zahaczyć o poruszające się części. Do pracy na dworze zaleca się zakładanie gumowych rękawic i solidnego obuwia. Aby zabezpieczyć długie włosy, należy nosić okrycie głowy.
- Należy nosić okulary ochronne – W przypadku pracy powodującej pylenie należy zawsze nosić maskę przeciwpyłową lub maskę na twarz.
- Należy używać właściwego narzędzia – Nie używać narzędzia do celów, do których nie jest ono przeznaczone.
- Podkaszarki nie wolno forsować – Narzędzie pracujące z prędkością, do której zostało zaprojektowane, wykona pracę lepiej i z mniejszym ryzykiem obrażeń.
- Nie należy sięgać za daleko – Zawsze należy dbać o utrzymanie równowagi i pewne podparcie nóg.
- Należy być czujnym – Należy patrzeć, co się robi i kierować się zdrowym rozsądkiem. Nie używać podkaszarki, kiedy jest się zmęczonym.
- Nie używać podkaszarki, gdy jest się pod wpływem alkoholu lub narkotyków.
- Osłony zabezpieczające muszą być zawsze założone i sprawne.
- Podkaszarkę należy przechowywać w zamkniętym pomieszczeniu – Na czas, gdy podkaszarka nie jest używana, należy ją przechowywać w suchym pomieszczeniu, pod zamknięciem lub na wysokiej półce, z wyjętym akumulatorem – w miejscu niedostępnym dla dzieci.
- O podkaszarkę należy starannie dbać – Aby uzyskać maksymalną wydajność i zapobiec ryzyku powstania urazów, element tnący musi być czysty. Należy przestrzegać instrukcji dotyczących wymiany akcesoriów. Należy dbać o to, aby uchwyty były suche, czyste i niezaplamione olejem lub smarem.
- Uszkodzone części należy skontrolować – Przed ponownym użyciem uszkodzonej podkaszarki, osłony lub części, należy dokładnie sprawdzić, czy narzędzie lub element będą działały właściwie i zgodnie z przeznaczeniem. Należy kontrolować, czy części ruchome są dobrze do siebie dopasowane, czy swobodnie się poruszają, czy nie są pęknięte lub uszkodzone i czy są właściwie zamontowane. Należy też kontrolować wszystkie inne czynniki, które mogłyby wpływać na ich działanie. O ile w instrukcji nie zastrzeżono inaczej, uszkodzona osłona lub inna część musi zostać odpowiednio naprawiona lub wymieniona przez autoryzowane centrum serwisowe.
- Przed każdym użyciem narzędzia należy uprzątnąć teren pracy. Należy usunąć wszystkie przedmioty takie jak kamienie, potłuczone szkło, gwoździe, kawałki drutu lub sznurka itp., które mogą zostać wyrzucone w powietrze lub mogą zaplątać się w końcówkę tnącą. Osoby postronne i zwierzęta domowe muszą znajdować się w odległości co najmniej 15m.
- Przed rozpoczęciem pracy urządzeniem oraz po każdym uderzeniu w przeszkodę, urządzenie należy sprawdzić pod kątem oznak uszkodzeń, a w razie potrzeby naprawić.
- W czasie pracy podkaszarkę należy zawsze mocno trzymać oburącz. Palce i kciuki należy zaciskać na uchwytach.
- Należy unikać przypadkowego włączenia – Nie należy nosić narzędzia z palcem na przełączniku w./wyl.
- Nie należy używać podkaszarki w strefach zagrożenia wybuchem lub w miejscach, w których występują opary benzyny. Silniki w tego typu urządzeniach zazwyczaj generują iskry, od których mogą się zapalić opary.
- Przed wyłączeniem maszyny (lub wyjęciem z niej akumulatora) i całkowitym zatrzymaniem się niebezpiecznych części nie należy dotykać poruszających się niebezpiecznych części.
- Uszkodzenie podkaszarki – Jeśli urządzenie uderzy w jakąś przeszkodę lub żyłka podkaszarki zaplączę się w coś, należy natychmiast wyłączyć narzędzie, wyjąć z niego akumulator, sprawdzić, czy nie ma uszkodzeń, a jeśli są, wówczas naprawić je przed podjęciem próby dalszego użytkowania. Nie należy używać urządzenia z uszkodzoną osłoną lub szpulą.

- Jeśli urządzenie znacznie nienormalnie wibrować, należy wyłączyć silnik, wyjąć akumulator z podkaszarki i natychmiast sprawdzić, co jest przyczyną. Wibracje są na ogół sygnałem ostrzegającym o problemach. Poluzowana głowica może wibrować, pęknąć, rozlecieć się lub odpaść z podkaszarki, co może doprowadzić do poważnych lub śmiertelnych obrażeń. Należy upewnić się, że końcówka tnąca jest poprawnie zamocowana. Jeżeli po zamocowaniu głowica tnąca obluzuje się, należy ją natychmiast wymienić. Nigdy nie należy używać podkaszarki z poluzowaną głowicą tnącą.
- Pękniętą, uszkodzoną i zużytą głowicę tnącą należy natychmiast wymienić, nawet jeśli uszkodzenie polega tylko na spękaniu powierzchni elementu. Tego typu końcówki mogą rozpaść się przy dużej prędkości i spowodować poważne obrażenia lub śmierć.
- W czasie użytkowania końcówkę tnącą należy sprawdzać w regularnych odstępach czasu. W przypadku zauważalnej zmiany w sposobie koszenia kontrolę należy przeprowadzić natychmiast.
- Do używania w tym narzędziu przeznaczone są wyłącznie polimerowe żyłki do podkaszarek i akcesoria EGO™. Chociaż niektóre akcesoria innych producentów da się zamontować w podkaszarce EGO™, to jednak ich używanie może być bardzo niebezpieczne i/lub może doprowadzić do uszkodzenia narzędzia.
- Aby ograniczyć ryzyko ciężkich urazów ciała, nigdy nie należy używać w miejsce żyłek nylonowych żyłek wzmocnionych metalem lub drutem lub innymi materiałami. Kawalki drutu mogą odpaść i zostać wyrzucone z dużą prędkością w stronę operatora lub osób postronnych.
- Aby ograniczyć ryzyko urazów spowodowanych utratą kontroli, nigdy nie należy pracować na drabinie lub innych niebezpiecznych podporach. Końcówki tnące nie wolno nigdy trzymać powyżej pasa.
- W sytuacjach, które nie zostały przewidziane w niniejszej instrukcji należy zachować ostrożność i kierować się własnym zdrowym rozsądkiem. W celu uzyskania pomocy prosimy skontaktować się z centrum serwisowym EGO.
- Akumulatora nie należy ładować na deszczu i miejscach wilgotnych.
- W urządzeniu należy używać wyłącznie ładowarek i akumulatorów wymienionych poniżej:

AKUMULATOR	ŁADOWARKA
BA1120E, BA2240E, BA2800, BA3360, BA4200	CH5500E, CH2100E

- Przed użyciem akumulator należy wyjąć z urządzenia.

- Akumulator należy zutilizować w sposób bezpieczny.
- Akumulatorów nie należy wrzucać do ognia. Ognia mogą wybuchnąć. Należy zapoznać się z przepisami lokalnymi pod kątem ewentualnych instrukcji w sprawie ich utylizacji.
- Akumulatora nie należy otwierać ani uszkadzać. Uwolniony elektrolit jest żrący i może uszkodzić oczy i skórę. W przypadku połknięcia może być toksyczny.
- Z akumulatorami należy obchodzić się ostrożnie. Należy uważać, aby nie zewrzeć wyprowadzeń materiałami przewodzącymi takimi jak pierścionki, bransoletki i klucze. Akumulator lub przewodnik mogą się przegrzać i spowodować oparzenia.
- Podczas serwisowania należy używać wyłącznie części zamiennych EGO™ identycznych z oryginalnymi. Użycie jakichkolwiek innych akcesoriów lub elementów dodatkowych zwiększa ryzyko urazów.
- Narzędzia akumulatorowe nie wymagają podłączenia do kontaktu elektrycznego i dlatego są zawsze gotowe do pracy. Należy więc mieć świadomość możliwych zagrożeń, występujących nawet wtedy, gdy narzędzie nie jest używane. Podczas wykonywania czynności konserwacyjnych lub serwisowych należy zachować ostrożność.
- Nie należy czyścić urządzenia węžem; należy unikać zachlapywania wodą silnika i połączeń elektrycznych.
- Prosimy zachować instrukcję. Zachęcamy do częstego korzystania z niej. Instrukcja może też posłużyć do przeszkolenia innych osób, które będą używały narzędzia. Jeśli narzędzie zostanie komuś pożyczone, osobie tej należy również udostępnić niniejszą instrukcję, aby zapobiec niewłaściwemu użytkowaniu i możliwym urazom.
- W czasie używania maszyny należy nosić solidne obuwie i długie spodnie.
- Na pochyłościach należy zawsze dbać o zachowanie równowagi; należy chodzić, a nie biegać.

INSTRUKCJI NIE NALEŻY WYRZUCAĆ

SPECYFIKACJA

Napięcie	56 V $\overline{\text{---}}$	
Prędkość bez obciążenia	5200-6500 /min	
Mechanizm tnący	Głowica-uderzak	
Typ żyłki do koszenia	AL0802 2.0mm Nylon twist line	
Szerokość koszenia	33 cm	
Waga (bez akumulatora)	2,76 kg	
Zmierzony poziom mocy akustycznej L_{WA}	89,25 dB(A) K=2,5 dB(A)	
Maksymalna poziom ciśnienia akustycznego przy uchu operatora L_{PA}	75,2 dB(A) K=2,5 dB(A)	
Gwarantowany poziom mocy akustycznej L_{WA} (zmierzony zgodnie z dyrektywą 2000/14/WE)	93 dB(A)	
Drgania a_n	Przedni uchwyt pomocniczy	2,134 m/s ² K=1,5 m/s ²
	Uchwyt tylny	1,231 m/s ² K=1,5 m/s ²

- Deklarowana całkowita wartość drgań została zmierzona zgodnie ze standardowymi metodami testowania i może służyć do porównywania różnych narzędzi.
- Deklarowana całkowita wartość drgań może również służyć do wstępnej oceny narażenia na drgania.

UWAGA: W zależności od sposobu eksploatacji, emisja wibracji podczas faktycznego użytkowania elektronarzędzia może się różnić od wartości deklarowanej. Aby chronić operatora, w rzeczywistych warunkach użytkowania użytkownik powinien nosić rękawice i nauszniki ochronne.

LISTA ELEMENTÓW W OPAKOWANIU

NAZWA CZĘŚCI	ILOŚĆ
Trymer do żyłki	1
Oslona	1
Przedni uchwyt pomocniczy – zestaw	1
Kluczyk imbusowy	1
Instrukcja operatora	1

OPIS

ZAPOZNANIE SIĘ Z PODKASZARKĄ (Rys. A)

1. Przycisk spustowy
2. Uchwyt tylny
3. Dźwignia odblokowująca
4. Przełącznik prędkości
5. Miękką tuleja
6. Regulowany przedni uchwyt pomocniczy
7. Głowica-uderzak (głowica tnąca)
8. Uderzak
9. Ostrze d. cięcia żyłki
10. Oslona
11. Mechanizm odłączania
12. Styki elektryczne
13. Zatrząsk
14. Przycisk wyjmowania akumulatora

MONTAŻ

⚠ OSTRZEŻENIE: W przypadku braku lub uszkodzenia którejś z części nie należy uruchamiać urządzenia aż do momentu wymiany lub naprawy części. Używanie urządzenia z uszkodzonymi lub brakującymi częściami może doprowadzić do poważnych urazów ciała.

⚠ OSTRZEŻENIE: Nie należy próbować przerabiać urządzenia lub tworzyć akcesoriów, które nie są zalecane do używania w podkaszarce. Wszelkie tego typu zmiany lub modyfikacje są niedozwolone i mogą prowadzić do niebezpiecznych sytuacji oraz poważnych urazów ciała.

⚠ OSTRZEŻENIE: Aby zapobiec przypadkowemu włączeniu, które mogłoby spowodować urazy ciała, na czas mocowania części z narzędzia należy zawsze wyjmować akumulator.

MONTAŻ OSŁONY

⚠ OSTRZEŻENIE: Podczas zakładania lub wymieniania osłony należy zawsze mieć założone rękawice. Należy uważać na ostrze na osłonie – ryzyko skaleczenia dłoni.

⚠ OSTRZEŻENIE: Nigdy nie należy włączać narzędzia bez mocno założonej osłony. Osłona musi być zawsze założona na narzędzie, aby chronić użytkownika! Jeśli osłona jest założona, nie należy nigdy próbować jej zdejmować lub regulować. Jeśli potrzebna jest wymiana, powinien ją przeprowadzić wykwalifikowany technik!

Odkręcić i wyjąć dwie śruby w podstawie trzonka (Rys. B). Wyrównać otwory mocujące względem otworów montażowych i przykręcić osłonę na trzonku dwiema śrubami. Upewnić się, że osłona jest zamocowana zgodnie z Rys. B i C, jakiegokolwiek rodzaju montaż odrotną stroną stanowi poważne zagrożenie!

MOCOWANIE I REGULACJA PRZEDNIEGO UCHWYTU POMOCNICZEGO

Wcisnąć przedni uchwyt pomocniczy na trzonek (Rys. E), następnie włożyć blok zaciskowy do szczeliny uchwytu (Rys. F), zamocować trzonek blokującą, zablokować nakrętką motylkową (Rys. G). Kolejność jest taka jak pokazano na Rys. D. Na koniec wyregulować położenie ramienia przedniego w taki sposób, aby podczas pracy mieć wyprostowane ramię (Rys. H). Zablokować dźwignię blokującą trzonek (Rys. I).

Rys. D i H opis części patrz poniżej:

D-1	Передняя вспомогательная рукоятка	D-4	Барашковая гайка
D-2	Фиксатор	H-1	Мягкая накладка
D-3	Зажимной блок	H-2	Предупреждающая этикетка

UWAGA: Przedni uchwyt pomocniczy należy zawsze skierować do góry w stronę górnej części uchwytu.

⚠ OSTRZEŻENIE: Przedni uchwyt pomocniczy należy zamocować przed miękką tuleją na trzonku.

⚠ OSTRZEŻENIE: Narzędzia nie można używać bez przedniego uchwytu pomocniczego.

UŻYTKOWANIE

⚠ OSTRZEŻENIE: Nie wolno dopuść do tego, aby znajomość narzędzia doprowadziła do nieuwagi. Należy pamiętać, że do spowodowania poważnych obrażeń wystarczy zaledwie chwila nieuwagi.

⚠ OSTRZEŻENIE: Należy zawsze nosić okulary ochronne z osłonami bocznymi. Ponadto należy też nosić nauszki ochronne. Nieprzestrzeganie tego zalecenia może doprowadzić do poważnych obrażeń oczu odłamkiem lub skrawkiem materiału wyrzuconym przez pracujące narzędzie, a także grozi innymi możliwymi urazami.

⚠ OSTRZEŻENIE: Nie należy używać końcówek lub akcesoriów innych niż zalecane przez producenta produktu. Używanie przystawek lub akcesoriów innych niż zalecane może doprowadzić do poważnych obrażeń.

⚠ OSTRZEŻENIE: Podkaszarki wyposażonej w odpowiednią żyłkę tnącą należy używać wyłącznie do koszenia trawy i podobnych materiałów.

Urządzenia można używać wyłącznie do celów podanych poniżej:

Wycinanie: usuwanie trawy i chwastów przy ścianach, płotach, drzewach i na brzegach.

Koszenie: koszenie trawy w miejscach trudno dostępnych dla zwykłej kosiarki.

UWAGA: Narzędzia należy używać tylko do celów zgodnych z przeznaczeniem. Wszelkie inne zastosowania, np. przycinanie krawędzi, uznaje się za niezgodne z przeznaczeniem.

ZAKŁADANIE/WYJMOWANIE AKUMULATORA

Naładować przed pierwszym użyciem.

Zakładanie

Należy wyrównać żeberka akumulatora względem szczeliny mocujących i wsunąć akumulator do ładowarki aż da się słyszeć kliknięcie. (Rys. J)

Wyjmowanie

Wcisnąć przycisk wyjmowania akumulatora i wysunąć akumulator tak jak na Rys. K.

TRZYMANIE PODKASZARKI

⚠ OSTRZEŻENIE: Aby ograniczyć ryzyko obrażeń, podczas pracy narzędziem należy nosić odpowiednią odzież. Nie należy nosić luźnych ubrań ani biżuterii. Należy nosić środki ochrony oczu i ochronniki słuchu. Należy nosić ciężkie długie spodnie, solidne buty i rękawice. Nie należy nosić krótkich spodni i sandałów, nie należy też używać narzędzia na bosą stopę.

Przed włączeniem podkaszarkę należy trzymać oburącz, jedną ręką za uchwyt tylny, a drugą ręką (wyprostowaną) za pomocniczy uchwyt przedni. (Rys. L). Następnie należy sprawdzić, czy podłoże, na którym się stoi jest stabilne i czy narzędzie umożliwia uzyskanie odpowiedniej wysokości koszenia bez pochylania się operatora.

WŁĄCZANIE/WYŁĄCZANIE PODKASZARKI

Włączanie

Należy wcisnąć i przytrzymać dźwignię odblokowującą. Nacisnąć przycisk spustowy podkaszarki tak jak na Rys. M.

Wyłączanie

Wystarczy puścić dźwignię odblokowującą i przycisk spustowy.

UWAGA: Silnik ma dwie prędkości cięcia, pozycja „1” do pracy z małą prędkością i pozycja „2” do dużej prędkości, tak jak na Rys. M. W czasie koszenia wystarczy przestawić przełącznik prędkości w odpowiednią pozycję.

Rys. M opis części patrz poniżej:

M-1	Pozycja 1
M-2	Pozycja 2

⚠ OSTRZEŻENIE: W czasie przerw w pracy i po zakończeniu pracy należy zawsze wyjmować akumulator z podkaszarki.

UŻYWANIE PODKASZARKI

⚠ OSTRZEŻENIE: Aby uniknąć poważnych obrażeń ciała, podczas używania narzędzia należy zawsze nosić gogle lub okulary ochronne. Podczas pracy przy silnym zapyleniu należy nosić osłonę na twarz lub maskę przeciwpyłową.

Przed każdym użyciem narzędzia należy uprzątnąć teren pracy. Usunąć wszystkie przedmioty takie jak kamienie, pośluzzone szkło, gwoździe, kawałki drutu lub sznurka itp., które mogą zostać wyrzucone w powietrze lub mogą zaplać się w końcówkę tnącą. Z terenu, który ma zostać skoszony wyprosić dzieci i osoby postronne oraz wygonić zwierzęta. Jako minimum dzieci i osoby postronne oraz zwierzęta muszą znajdować się w odległości 15m, jednak taka odległość nadal nie eliminuje całkowicie ryzyka trafienia wyrzucenymi w powietrze przedmiotami. Osoby postronne należy zachęcać do noszenia okularów ochronnych. Jeśli do użytkownika zbliży się jakaś osoba, należy natychmiast wyłączyć silnik i zatrzymać narzędzie tnące.

Przed każdym użyciem należy sprawdzić, czy jakieś części nie są uszkodzone lub zużyte

Należy skontrolować głowicę-uderzak, osłonę i przedni uchwyt pomocniczy oraz wymienić części pęknięte, wypaczone, skrzywione lub uszkodzone w jakikolwiek sposób.

Ostrze do żyłki tnącej na krawędzi osłony może się z czasem stępić. Zaleca się je okresowo ostrzyć pilnikiem lub wymienić na nowe.

⚠ OSTRZEŻENIE: Na czas mocowania osłony lub ostrzenia/wymieniania ostrza należy zawsze zakładać rękawice. Należy uważać na ostrze na osłonie – ryzyko skałeczenia dłoni.

Po każdym użyciu należy wyczyścić podkaszarkę.

⚠ OSTROŻNIE: Zanieczyszczenia w otworach wentylacyjnych uniemożliwiają dopływ powietrza do obudowy silnika i w efekcie prowadzą do przegrzania się i uszkodzenia silnika.

- Do czyszczenia narzędzia należy używać wyłącznie łagodnego mydła i wilgotnej ściereczki. Do środków urzędzenia nie mogą się dostać żadne płyny, nie wolno też narzucać części urządzenia w jakiegokolwiek cieczy.

- Otwory wentylacyjne w obudowie silnika i trzonek nie mogą być nigdy zabrudzone

⚠ OSTRZEŻENIE: Do czyszczenia podkaszarki nigdy nie należy używać wody. Podczas czyszczenia części plastikowych należy unikać używania rozpuszczalników. Pod wpływem działania różnego rodzaju dostępnych w handlu rozpuszczalników większość tworzyw sztucznych ulega uszkodzeniu. Do usuwania zabrudzeń, kurzu, oleju, smaru itp. należy używać czystych ściereczek.

REGULACJA DŁUGOŚCI ŻYŁKI TNAJĄcej

Głowica-uderzak pozwala operatorowi wysuwać więcej żyłki bez wyłączania silnika. Żyłka strzepi się i zużywa, dodatkową żyłkę można wysunąć lekko uderzając głowicą w ziemię w czasie, gdy podkaszarka pracuje (patrz Rys. N).

UWAGA: Im krótsza żyłka, tym trudniejsze staje się jej wysuwanie.

⚠ OSTRZEŻENIE: Nie należy demontować lub przerabiać ostrza do żyłki. Zbyt długa żyłka prowadzi do przegrzewania się silnika i może spowodować poważne urazy ciała.

WYMIANA ŻYŁKI

⚠ OSTRZEŻENIE: Nigdy nie należy używać żyłek wzmocnionych metalem, drutów, sznurków itp. Mogą się one ułamać i zmienić w niebezpieczne pociski.

Żyłkę tnącą można wymienić na dwa sposoby:

- Nawinąć na szpulę nową żyłkę.
- Założyć szpulę z żyłką nawiniętą fabrycznie (AS1300, AS1301, AS1302, w razie potrzeby, dostępne u sprzedawcy).

Nawijanie na szpulę nowej żyłki

Wcisnąć dwa wypustki odblokowujące w podstawie szpuli i wysunąć osłonę mocującą szpuli na zewnątrz (Rys. O). Przygotować około 7m nowej żyłki tnącej. Nawinąć ją na szpulę tak jak pokazano na Rys. P i Q. Następnie przełożyć końce żyłki przez dwa naprzeciwległe nacięcia w szpuli (Rys. R) i założyć szpulę z powrotem w jej osłonie mocującej z nacięciami ustawionymi równo z otworami w osłonie (Fig. T). Na koniec, wyrównać szczeliny w osłonie mocującej z wypustkami na podstawie szpuli i równo wcisnąć osłonę mocującą w dół, tak aby zatrzęsła się w obudowie (Rys. S).

UWAGA: Przed zamontowaniem w głowicy podkaszarki osłonę mocującą szpuli, szpulę i podstawę szpuli należy najpierw zawsze wyczyścić. Osłonę mocującą szpuli, szpulę i podstawę szpuli należy skontrolować pod kątem zużycia. W razie potrzeby zużyte części należy wymienić.

UWAGA: Nawinięcie żyłki w niewłaściwą stronę spowoduje, że głowica podkaszarki będzie działała nieprawidłowo.

Instalowanie szpuli z żyłką nawiniętą fabrycznie

Wcisnąć dwa wypustki odblokowujące w podstawie szpuli i wysunąć osłonę mocującą szpuli na zewnątrz (Rys. O). Następnie założyć szpulę z żyłką nawiniętą fabrycznie do osłony mocującej szpuli z wypustkami ustawionymi równo z otworami w osłonie (Rys. T). Na koniec, wyrównać szczeliny w osłonie mocującej z wypustkami na podstawie szpuli i równo wcisnąć osłonę mocującą w dół, tak aby zatrzasknęła się w obudowie (Rys. S).

Rys. S i T opis części patrz poniżej:

S-1	Зажим	T-1	Паз
S-2	Разъем	T-2	Отверстие

UWAGA: Należy upewnić się, że wypustki na podstawie szpuli zaskoczyły na miejsce, inaczej szpula odcepi się w czasie pracy.

- Do czyszczenia otworów wentylacyjnych i usuwania zanieczyszczeń z tylnej części obudowy należy używać małej szczoteczki lub małego odkurzacza.

PRZECHOWYWANIE URZĄDZENIA

- Gdy podkaszarka nie będzie używana, należy wyjąć z niej akumulator.
- Przed schowaniem narzędzie należy dokładnie wyczyścić.
- Urządzenie należy przechowywać w suchym i dobrze wentylowanym miejscu niedostępnym dla dzieci: albo pod kluczem, albo wystarczająco wysoko. Urządzenia nie należy używać na nawozach lub w ich pobliżu, to samo dotyczy podłoży zanieczyszczonych benzyną i substancjami chemicznymi.

KONSERWACJA

⚠️ OSTRZEŻENIE: Podczas serwisowania należy używać wyłącznie części zamiennych identycznych z oryginalnymi. Maszynę należy regularnie kontrolować i konserwować. Aby zagwarantować bezpieczeństwo i niezawodność, wszystkie naprawy powinny być wykonywane przez wykwalifikowanych techników serwisu.

⚠️ OSTRZEŻENIE: Narzędzia akumulatorowe nie wymagają podłączenia do kontaktu elektrycznego i dlatego są zawsze gotowe do pracy. Aby zapobiec poważnym urazom ciała, podczas wykonywania czynności konserwacyjnych, w czasie serwisowania lub wymiany końcówek tnących lub innych należy stosować dodatkowe środki ostrożności.

⚠️ OSTRZEŻENIE: Aby uniknąć poważnych obrażeń ciała, przed serwisowaniem, czyszczeniem, wymianą osprzętu dodatkowego i należy zawsze wyjmować z narzędzia akumulator.

CZYSZCZENIE URZĄDZENIA

- Wyrób należy czyścić wilgotną ściereczką i łagodnym detergentem.
- Do czyszczenia części plastikowych lub uchwytu nie należy używać jakichkolwiek silnych detergentów. Mogą one zostać uszkodzone przez niektóre olejki aromatyczne, takie jak olejek sosnowy i cytrynowy oraz przez rozpuszczalniki takie jak nafta. Wilgoć może także spowodować porażenie prądem. Wszelką wilgoć należy wycierać miękką suchą ściereczką.

Ochrona środowiska



Urządzeń elektrycznych, ładowarki do akumulatorów oraz akumulatorów/baterii akumulatorowych nie należy wyrzucać do zwykłych zmieszanych śmieci domowych!

Zgodnie z dyrektywami Wspólnoty Europejskiej, odpowiednio nr 2012/19/WE i 2006/66/WE, urządzenia elektryczne i elektroniczne nienadające się dłużej do użycia oraz uszkodzone lub zużyte akumulatory/baterie trzeba zbierać oddzielnie.

Wyrzucanie urządzeń elektrycznych na wysypisko grozi wyciekami niebezpiecznych substancji do wód gruntowych i przedostaniem się ich do łańcucha pokarmowego, ze szkodą dla zdrowia i jakości życia użytkownika.

DEKLARACJA ZGODNOŚCI WE



Producent, CHERVON EUROPE LTD.

47 CASTLE STREET, READING, RG1 7SR, UNITED KINGDOM

Oświadczam, że produkt **podkaszarka bezprzewodowa z baterią litowo-jonową 56 V ST1300E** spełnia istotne wymagania BHP oraz wymogi wprowadzone następującymi dyrektywami:

2006/42/WE, 2014/30/UE, 2011/65/UE, 2000/14/WE

Normy i specyfikacje techniczne, do których występują odwołania:

EN 60335-1, EN 50636-2-91, EN ISO 11806-1, EN ISO 12100, EN 62233, EN 55014-1, EN 55014-2

Zmierzony poziom mocy akustycznej: 89,25 dB(A).

Gwarantowany poziom mocy akustycznej: 93 dB(A).

Peter Melrose
Wice-prezydent Chevron Europe

Dong Jianxun
Dyrektor ds. Jakości w Chevron

*(upoważniony przedstawiciel CHEVRON i kierownik ds. technicznych)

01/04/2016

ROZWIĄZYWANIE PROBLEMÓW

PROBLEM	PRZYCZYNA	ROZWIĄZANIE
Podkaszarka nie włącza się.	<ul style="list-style-type: none"> ■ Do podkaszarki nie włożono akumulatora. ■ Podkaszarka i akumulator nie kontaktują. ■ Akumulator jest rozładowany. ■ Dźwignia odblokowująca i przełącznik spustowy nie zostały wciśnięte jednocześnie. 	<ul style="list-style-type: none"> ■ Włożyć akumulator do podkaszarki. ■ Wyjąć akumulator, sprawdzić styki i założyć akumulator z powrotem. ■ Naładować akumulator. ■ Aby włączyć podkaszarkę, należy wcisnąć i przytrzymać dźwignię odblokowującą, a następnie nacisnąć przełącznik spustowy.
Podkaszarka wyłącza się podczas koszenia.	<ul style="list-style-type: none"> ■ Na podkaszarce nie ma zamontowanej osłony, przez co żyłka jest za długa i dochodzi do przeciążenia silnika. ■ Używana jest ciężka żyłka. ■ Wałek silnika lub głowica podkaszarki są zapchane trawą. ■ Silnik jest przeciążony. ■ Akumulator lub podkaszarka jest zbyt gorący/-a. ■ Akumulator jest odłączony od narzędzia. ■ Akumulator jest rozładowany. 	<ul style="list-style-type: none"> ■ Wyjąć akumulator i zamocować osłonę w podkaszarce. ■ Używać wyłącznie żyłki nylonowej o średnicy 2,0mm lub cieńszej. ■ Zatrzymać podkaszarkę, wyjąć akumulator i usunąć trawę z wałka silnika i głowicy podkaszarki. ■ Wyjąć głowicę podkaszarki z trawy. Gdy tylko obciążenie zostanie usunięte, silnik wznowi pracę. Podczas koszenia przesuwaj głowicę podkaszarki w koszoną trawę i wysuwać ją z niej, nie więcej niż o 20cm długości w jednym cięciu. ■ Pozwolić, aby akumulator lub podkaszarka ostygły do temperatury poniżej 67°C. ■ Ponownie założyć akumulator. ■ Naładować akumulator.

PROBLEM	PRZYCZYNA	ROZWIĄZANIE
Głowica podkaszarki nie wysuwa żyłki.	<ul style="list-style-type: none"> ■ Walek silnika lub głowica podkaszarki są zapchane trawą. ■ W szpuli jest za mało żyłki. ■ Głowica podkaszarki jest zabrudzona. ■ Żyłka zaplątała się w szpuli. ■ Żyłka jest za krótka. 	<ul style="list-style-type: none"> ■ Zatrzymać podkaszarkę, wyjąć akumulator i usunąć trawę z wałka silnika i głowicy podkaszarki. ■ Wyjąć akumulator i wymienić żyłkę tnącą; patrz część „WYMIANA ŻYŁKI” w niniejszej instrukcji. ■ Wyjąć akumulator i wyczyścić szpulę, osłonę mocującą szpulę i podstawę szpuli. ■ Wyjąć akumulator, wyjąć żyłkę ze szpuli i przewinąć; patrz część „WYMIANA ŻYŁKI” w niniejszej instrukcji. ■ Wyjąć akumulator i pociągnąć żyłki, a jednocześnie na przemian wciskać i puszczać uderzak.
Trawa owija się wokół głowicy podkaszarki i obudowy silnika.	<ul style="list-style-type: none"> ■ Koszenie wysokiej trawy tuż przy ziemi. 	<ul style="list-style-type: none"> ■ Wysoką trawę kosić od góry ku dołowi, za jednym razem skracać żdźbła nie więcej niż o 20cm, aby nie dopuścić do owijania się trawy wokół głowicy.
Żyłka nie tnie w prawidłowy sposób.	<ul style="list-style-type: none"> ■ Ostrze do żyłki tnącej na krawędzi osłony stępilo się. 	<ul style="list-style-type: none"> ■ Naostrzyć pilnikiem ostrze do przycinania żyłki tnącej lub wymienić je na nowe.

GWARANCJA

POLITYKA GWARANCYJNA EGO

W celu zapoznania się z wszystkimi warunkami polityki gwarancyjnej EGO prosimy odwiedzić stronę egopowerplus.com.

PŘEČTĚTE SI VŠECHNY POKYNY!



**PRZECZYTAJ ZE ZROZUMIENIEM
INSTRUKCJE OBSŁUGI**

⚠ Zbytkové riziko! Lidé s elektronickými přístroji, jako jsou např. kardiostimulátory, by se měli před použitím toho výrobku poradit se svým lékařem. Použití elektrického zařízení v těsné blízkosti kardiostimulátoru může způsobit narušení činnosti nebo poruchu kardiostimulátoru.

⚠ VAROVÁNÍ: Z důvodu bezpečnosti by měl všechny opravy a výměny provádět kvalifikovaný servisní technik.

BEZPEČNOSTNÍ SYMBOLY

Účelem bezpečnostních symbolů je upoutat vaši pozornost k případným nebezpečím. Bezpečnostní symboly a jejich vysvětlení vyžadují vaši zvýšenou pozornost a porozumění. Výstražné symboly samy o sobě nevylučují žádné nebezpečí. Pokyny a varování nejsou náhradou vhodných opatření pro prevenci úrazů.

⚠ VAROVÁNÍ: Před použitím tohoto nástroje si přečtete a seznámete se se všemi bezpečnostními pokyny v tomto návodu k obsluze včetně veškerých výstražných symbolů, jako např. „**NEBEZPEČÍ**“, „**VAROVÁNÍ**“ nebo „**UPOZORNĚNÍ**“. Nedodržení níže uvedených pokynů může mít za následek úraz elektrickým proudem, požár anebo vážná poranění osob.

VÝZNAM SYMBOLŮ

BEZPEČNOSTNÍ VÝSTRAŽNÉ SYMBOLY: Upozorňují na **NEBEZPEČÍ**, **VAROVÁNÍ**, nebo **UPOZORNĚNÍ**. Lze je používat ve spojení s jinými symboly nebo piktogramy.



⚠ UPOZORNĚNÍ: Při použití elektrického nářadí může dojít k vymrštění cizích těles do očí, což může způsobit jejich závažné poškození. Před použitím elektrického nářadí si vždy nasadte ochranné brýle, ochranné brýle s bočními kryty nebo v případě potřeby obličejový štít. Na brýle nebo standardní ochranné brýle s bočními kryty doporučujeme použít ochrannou masku.

BEZPEČNOSTNÍ POKYNY

Na této stránce jsou zobrazeny a popsány bezpečnostní symboly, které se mohou objevit na výrobku. Před montáží a provozem si přečtete, seznámete se a dodržujte veškeré pokyny ke stroji.

	Bezpečnostní upozornění	Bezpečnostní opatření týkající se vaší bezpečnosti.
	Přečtete si návod k obsluze	Z důvodu snížení rizika úrazu si musí uživatel před použitím tohoto výrobku přečíst a seznámit se s návodem k obsluze.
	Používejte ochranu očí	Vždy noste ochranné brýle, ochranné brýle s bočními kryty nebo obličejový štít při použití tohoto výrobku.
	Používejte chrániče sluchu	Při práci s tímto výrobkem vždy používejte chrániče sluchu.
	Průměr struny	Průměr nylonové žací struny
	Šířka sekání	Max. šířka sekání strunové sekačky
	Žádný nůž	Neinstalujte kovové nebo plastové nože
	Nevystavujte ji dešti.	Nepoužívejte ani nechtejte venku v dešti.
	Udržujte ostatní osoby v bezpečné vzdálenosti	Když strunovou sekačku používáte, udržujte od ostatních osob a domácích zvířat bezpečnou vzdálenost aspoň 15m.
	Udržujte ostatní osoby v bezpečné vzdálenosti	Když strunovou sekačku používáte, udržujte od ostatních osob a domácích zvířat bezpečnou vzdálenost aspoň 15m.
V	Voltů	Napětí
A	Ampérů	Proud
Hz	Hertzů	Frekvence (počet cyklů za sekundu)
W	Wattů	Výkon
min	Minut	Doba

~	Střídavý proud	Druh proudu
≡	Stejnoseměrný proud	Druh nebo vlastnosti proudu
n_0	Rychlost při chodu naprázdno	Otáčky při chodu naprázdno
... /min	Za minutu	Otáčky za minutu

DŮLEŽITÉ BEZPEČNOSTNÍ POKYNY

VAROVÁNÍ: Při používání strunových sekaček je nutné vždy dodržovat základní bezpečnostní opatření pro zamezení rizika požáru, úrazu elektrickým proudem a poranění osob včetně následujících.

ČTĚTE PEČLIVĚ PŘED POUŽITÍM

USCHOVEJTE PRO BUDOUCÍ POUŽITÍ

NEBEZPEČÍ: Nespoléhejte se na izolaci náradí proti úrazu elektrickým proudem. Chcete-li snížit riziko usmrcení elektrickým proudem, nikdy stroj nepoužívejte v blízkosti žádných vodičů nebo kabelů (napájecích atd.), které mohou vést elektřinu.

UPOZORNĚNÍ: Při práci používejte vhodné chrániče sluchu. Za určitých podmínek a určité době používání může hluk z tohoto výrobku přispět ke ztrátě sluchu.

ŠKOLENÍ

- Pečlivě si přečtěte tyto pokyny. Seznamte se s ovládacími prvky a správným použitím stroje.
- Osoby, které se neseznámily s těmito pokyny, nebo děti nesmí stroj používat. Místní předpisy mohou omezovat věk obsluhy.
- Nezapomínejte, že je obsluha nebo uživatel zodpovědný za nehody nebo ohrožení jiných osob nebo jejich majetku.

PŘÍPRAVA

- Stroj nikdy nepoužívejte, pokud jsou v blízkosti osoby, zejména děti, nebo domácí zvířata.
- Při práci se strojem vždy používejte ochranu očí a noste pevnou obuv.
- Vzdálenost mezi stroje a ostatními osobami nesmí být kratší než 15m.
- Nepoužívejte kovové kotouče

POUŽITÍ

- Stroj používejte pouze za denního světla nebo při dobrém umělém osvětlení.
- Nikdy stroj nepoužívejte, pokud jsou poškozené kryty nebo štíty, nebo když nejsou instalované.
- Motor zapněte pouze v případě, že jsou ruce a nohy v bezpečné vzdálenosti od řezacího nástroje.
- Stroj vždy odpojte z elektrické sítě (tj. odpojte zástrčku ze zásuvky, nebo vyjměte blokovací zařízení):
 - kdykoliv je stroj bez dozoru;
 - před odstraněním překážky;
 - před kontrolou, čištěním nebo prací na stroje;
 - po nárazu do cizího tělesa;
 - vždy, když začne stroj abnormálně vibrovat.
- Dávejte pozor na poranění nohou a rukou řezným nástrojem.
- Dbejte, aby větrací otvory byly vždy udržovány v čistotě.

ÚDRŽBA A SKLADOVÁNÍ

- Před provedením údržby nebo čištění stroj vždy odpojte z elektrické sítě (tj. odpojte zástrčku ze zásuvky, nebo vyjměte blokovací zařízení).
- Používejte pouze náhradní díly a příslušenství doporučené výrobcem.
- Pravidelně stroj kontrolujte a udržujte. Opravu stroje svěťte pouze autorizovanému opraváři.
- Pokud se nepoužívá, skladujte stroj mimo dosah dětí.

DALŠÍ BEZPEČNOSTNÍ VAROVÁNÍ

- Vyhnete se nebezpečnému prostředí – nepoužívejte sekačky ve vlhkém nebo mokřem prostředí.
- Pokud je zůstává strunová sekačka bez dozoru, vždy ji vypněte nebo vyjměte akumulátor.
- Nepoužívejte ji v dešti.
- Udržujte děti v bezpečné vzdálenosti – všichni návštěvníci musí dodržovat bezpečnou vzdálenost od pracoviště.
- Vhodně se oblékněte – nenoste volný oděv ani šperky. Mohou se zachytit v pohyblivých částech. Při práci venku doporučujeme použít gumové rukavice a pevné boty. Noste ochrannou pokrývku hlavy, která zakryje dlouhé vlasy.
- Používejte ochranné brýle – vždy noste ochrannou masku nebo protiprachový respirátor, pokud je práce prašná.
- Používejte správný stroj – nepoužívejte sekačku k jiné práci, než ke které je určena.

- Sekačku nepřetěžujte – svou práci bude vykonávat lépe a s nižším rizikem úrazu v rámci parametrů, pro něž byla určena.
- Nepřeceňujte své síly – vždy udržujte pevný postoj a rovnováhu.
- Buďte pozorní – sledujte, co děláte. Buďte soudní. Nepoužívejte sekačku, pokud jste unavení.
- Se sekačkou nepracujte pod vlivem alkoholu nebo jiných návykových látek.
- Veškeré kryty musejí být instalovány na příslušných místech a musejí být v dobrém stavu.
- Sekačku skladujte v interiéru – pokud sekačku nepoužíváte, skladujte ji v interiéru na suchém, vyvýšeném nebo uzamčeném místě s vyjmutým akumulátorem – mimo dosah dětí.
- Sekačku pečlivě udržujte – žací nástavec udržujte v čistotě pro co nelepší výkon a snížení rizika úrazu. Dodržujte pokyny pro výměnu příslušenství. Udržujte rukojeti suché, čisté, bez oleje a maziva.
- Zkontrolujte poškozené díly – před dalším použitím sekačky je nutno každý poškozený kryt nebo část pečlivě zkontrolovat a určit, zda budou fungovat správně a plnit svoji zamýšlenou funkci. Zkontrolujte seřízení pohyblivých částí, spojení pohyblivých částí, poškození částí, sestavení a další podmínky, které mohou ovlivnit jeho provoz. Kryt nebo jiná poškozená část by se měly řádně opravit nebo vyměnit v autorizovaném servisním středisku, pokud není v tomto návodu uvedeno jinak.
- Před každým použitím m vyčistěte prostor, kde budete stříhat. Odstraňte veškeré předměty, jako jsou např. kameny, rozbité sklo, hřebíky, dráty nebo provazy, které mohou být vrženy, nebo se mohou do žacího nástavce zaplést. Dbejte, aby ostatní osoby a domácí zvířata byla ve vzdálenosti aspoň 15m.
- Před použitím stroje a po případném nárazu zkontrolujte, zda nejeví známky opotřebení nebo poškození, a v případě potřeby jej opravte.
- Při práci sekačku vždy držte pevně s oběma rukama na rukojetích. Prsty a palce obepečte okolo rukojetí.
- Zabraňte neúmyslnému spuštění – nepřeházejte sekačku s prstem na spoušti.
- Sekačku nepoužívejte v hořlavém nebo výbušném prostředí. Motory v těchto zařízeních produkují jiskru, která může zapálit výpary.
- Nedotýkejte se pohyblivých nebezpečných částí před vypnutím zařízení (nebo vyberte baterii ze stroje) a pokud se pohyblivé nebezpečné části úplně nezastaví.
- Poškození sekačky – pokud narazíte sekačkou do cizího tělesa, nebo se zaplete, okamžitě strunovou sekačku vypněte, vyjměte akumulátor, zkontrolujte, zda není poškozena a případné poškození opravte před dalším použitím. Nepoužívejte ji s poškozeným krytem nebo cívkou.
- Pokud začne strunová sekačka abnormálně vibrovat, zastavte motor, vyjměte akumulátor a okamžitě vyhledejte příčinu. Vibrace obvykle upozorňují na problém. Uvolněná hlava může vibrovat, prasknout, poškodit se, nebo odpadnout od sekačky, což může vést k vážnému nebo smrtelnému úrazu. Zkontrolujte, zda je žací nástavec řádně upevněn a v dané pozici. Pokud se hlava uvolní po upevnění v dané pozici, okamžitě ji vyměňte. Nikdy nepoužívejte sekačku s uvolněným žacím nástavcem.
- Prasklou, poškozenou nebo opotřebovanou žací hlavicí okamžitě vyměňte, i kdyby se jednalo pouze o povrchové praskliny. Tyto nástavce se mohou roztržít ve vysoké rychlosti a způsobit vážný nebo smrtelný úraz.
- Žací nástavec kontrolujte v pravidelných intervalech při práci, nebo okamžitě v případě zjevné změny v chodu sekání.
- Používejte výhradně schválené příslušenství pro polymerové žací struny značky EGO™ a struny, které jsou určeny pro použití s tímto nářadím. I když lze na strunovou sekačku značky EGO™ instalovat některé neschválené příslušenství, jeho použití může být velmi nebezpečné a nebo může dojít k poškození nástroje.
- Pro snížení rizika vážného úrazu nikdy nepoužívejte drátěné nebo kovem vyztužené struny nebo jiné materiály místo nylonových žacích stran. Kusy drátu se mohou odломit a vymrštit vysokou rychlostí směrem k obsluze nebo ostatním osobám.
- Pro snížení rizika úrazu v důsledku ztráty kontroly nikdy nepracujte na žebříku nebo jiné nestabilní podpoře. Nikdy nedržte žací nástavec nad úroveň pasu.
- Pokud nastane situace, která není popsána v tomto návodu, použijte pečlivě a dobrý úsudek. O pomoc kontaktujte servisní středisko společnosti EGO.
- Akumulátor nenabíjejte v dešti nebo na mokřem místě.
- Používejte pouze následující akumulátory a nabíječky:

AKUMULÁTOR	NABÍJEČKA
BA1120E, BA2240E, BA2800, BA3360, BA4200	CH5500E, CH2100E

- Před likvidací vyjměte ze zařízení akumulátor.
- Akumulátor likvidujte bezpečným způsobem.
- Akumulátory nevhazujte do ohně. Články mohou vybuchnout. O zvláštních pokynech pro likvidaci se informujte v místních právních předpisech.
- Akumulátor neotvírejte ani nezneškodňujte. Uniklý elektrolyt je žiravý a může způsobit poškození očí nebo kůže. Při požití může být toxický.

- Při manipulaci s akumulátory dbejte, aby nedošlo ke zkratu akumulátoru vodivými materiály, jako např. prsty, náramky nebo klíče. Akumulátor nebo vodič se mohou přehřát a způsobit popáleniny.
- Při opravách používejte pouze originální náhradní díly společnosti EGO™. Použití jiného příslušenství nebo nástavců může zvýšit riziko úrazu.
- Akumulátorové nářadí se nemusí zapojovat do elektrické zásuvky, proto jsou vždy v provozním stavu. Nezapomínejte na možná rizika ani v případě, že je nářadí vypnuté. Dbejte opatnosti při údržbě.
- Nůžky nemyjte hadicí; dbejte, aby se do motoru a elektrických přípojek nedostala voda.
- Tyto pokyny uschovejte pro budoucí použití. Používejte je často a také k poučení dalších osob, které mohou toto nářadí používat. Pokud nářadí někomu půjčíte, půjčte mu také tento návod k obsluze, aby nedošlo k nesprávnému použití výrobků nebo případně k úrazu.
- Při práci se zařízením vždy noste pevnou obuv a dlouhé kalhoty.
- Ve svahu vždy dbejte na pevný postoj a choďte, nikdy neběhejte.
- Celková deklarovaná hodnota vibrací byla naměřena podle standardní zkušební metody a lze ji použít ke srovnání s jiným nářadím;
- Celkovou deklarovanou hodnotu vibrací lze použít také k předběžnému stanovení expozičních limitů.

POZNÁMKA: Emise vibrací při konkrétním použití elektrického nářadí se mohou lišit od deklarované hodnoty, při které se nářadí používá; z důvodu ochrany provozovatele by měl uživatel ve skutečných pracovních podmínkách nosit rukavice a chrániče sluchu.

OBSAH BALENÍ

NÁZEV DÍLU	MNOŽSTVÍ
Strunová sekačka	1
Kryt	1
Sestava přední pomocné rukojeti	1
Šestihřanný klíč	1
Návod k obsluze	1

TYTO POKYNY USCHOVEJTE PRO BUDOUCÍ POUŽITÍ!

SPECIFIKACE

Napětí	56 V ---	
Rychlost při chodu naprázdno	5200-6500 /min	
Žací mechanismus	Strunová hlava	
Typ žací struny	AL0802 2.0mm Nylonové lanko twist	
Šířka sekání	33 cm	
Hmotnost nůžek (bez akumulátoru)	2,76 kg	
Měřená hladina akustického výkonu L_{WA}	89,25 dB(A) K=2,5 dB(A)	
Maximální hladina akustického tlaku na sluch obsluhy L_{PA}	75,2 dB(A) K=2,5 dB(A)	
Zaručená úroveň akustického výkonu L_{WA} (měřeno podle směrnice 2000/14/ES)	93 dB(A)	
Vibrace a_h	Přední pomocná rukojeť	2,134 m/s ² K=1,5 m/s ²
	Zadní rukojeť	1,231 m/s ² K=1,5 m/s ²

POPIS

SEZNAMTE SE S VAŠÍ STRUNOVOU SEKAČKOU (obr. A)

1. Spoušť
2. Zadní rukojeť
3. Páka pojistky
4. Spínač nastavení rychlosti
5. Měkké pouzdro
6. Stavitelná přední pomocná rukojeť
7. Strunová hlava (žací hlava)
8. Regulátor struny
9. Vyzinací kotouč
10. Kryt
11. Uvolňovací mechanismus
12. Elektrické kontakty
13. Západka
14. Tlačítko pro uvolnění akumulátoru

MONTÁŽ

VAROVÁNÍ: Pokud jsou některé díly poškozené, nebo chybí, nepoužívejte výrobek, dokud se díly nevymění. Použití tohoto výrobku s poškozenými nebo chybějícími díly může vést k vážnému úrazu.

VAROVÁNÍ: Nepokoušejte se výrobek upravovat ani vytvářet příslušenství, které se k této strunové sekačce nedoporučuje. Každá taková změna nebo úprava je nesprávná a může vést k nebezpečné situaci, která může zapříčinit vážný úraz.

VAROVÁNÍ: Pokud provádíte montáž dílů, vždy vyjměte akumulátor, aby nedošlo k neúmyslnému spuštění, které může způsobit vážný úraz.

MONTÁŽ KRYTU

VAROVÁNÍ: Při montáži nebo výměně krytu vždy používejte rukavice. Pozor na nůž na krytu, chraňte si ruce před pořezáním.

VAROVÁNÍ: Nářadí nikdy nepoužívejte bez řádně instalovaného krytu. Kryt musí být vždy na nářadí z důvodu ochrany uživatele! Pokud je kryt instalovaný napevno, nikdy se jej nepokoušejte odstranit nebo upravit, pokud je nezbytná výměna, musí být provedena kvalifikovaným servisním technikem!

Povolte a vyšroubujte dva spojovací šrouby ze spodní části hřídele (obr. B). Srovnějte upevňovací otvory krytu s montážními otvory a upevněte kryt ke spodní části hřídele s pomocí dvou šroubů. Zkontrolujte, zda je kryt upevněn podle obr. B a C, obrácené upevnění představuje vysoké riziko!

MONTÁŽ A NASTAVENÍ PŘEDNÍ POMOČNÉ RUKOJETI

Nasadte přední pomocnou rukojeť na hřídel (obr. E), vložte upínací blok do otvoru rukojeti (obr. F), namontujte pojistnou tyč a zajistěte křídlovou maticí (obr. G). Postup je znázorněn na obr. D. Nakonec nastavte polohu přední pomocné rukojeti tak, aby byla vaše při použití sekačky natažená (obr. H) a zajistěte páčku zámku tyče (obr. I).

Obr. D a H, následuje popis dílů:

D-1	Přední pomocná rukojeť	D-4	Křídlová matice
D-2	Pojistná tyč	H-1	Měkké pouzdro
D-3	Upínací blok	H-2	Výstražný štítek

POZNÁMKA: Přední pomocná rukojeť musí být natočena vzhůru tak, aby směřovala k horní části rukojeti.

VAROVÁNÍ: Přední pomocnou rukojeť upevňujte výhradně před měkké pouzdro na hřídeli.

VAROVÁNÍ: Nářadí nelze používat bez spolehlivě upevněné přední pomocné rukojeti.

POUŽITÍ

VAROVÁNÍ: Dbejte, abyste se po seznámení s výrobkem nestali neopatrní. Nezapomínejte, že stačí chvíle nepozornosti a může se stát vážný úraz.

VAROVÁNÍ: Vždy používejte ochranu očí s bočními kryty. Spolu s chráničem sluchu. Pokud tak neučiníte, může dojít k vymrštění předmětu do očí, nebo případně jiným vážným úrazům.

VAROVÁNÍ: Nepoužívejte nástavce nebo příslušenství, které nedoporučuje výrobce tohoto výrobku. Použití nedoporučených nástavců a příslušenství může vést k vážnému úrazu.

VAROVÁNÍ: Strunovou sekačku vybavenou vhodnou strunou používejte výhradně k sekání trávy a podobných materiálů.

Výrobek lze použít k následujícím účelům:

Zarovnání: slouží k odstranění trávy a plevele u zdí, plotů, stromů a obrubníků.

Sekání: slouží k sekání trávy, která je pro běžnou sekačku obtížně dostupná.

POZNÁMKA: Nářadí se smí používat pouze k vyhrazenému účelu. Jakékoliv jiné použití, např. úprava rohů, se považuje za nesprávné.

INSTALACE/VYJMUTÍ AKUMULÁTORU

Před prvním použitím akumulátor nabijte.

Instalace

Srovnějte zbrování akumulátoru s instalačními drážkami a tlačte baterii dokud neuslyšíte „kliknutí“. (obr. J)

Vyjmutí

Stiskněte tlačítko pro uvolnění akumulátoru a vytáhněte jej, jak je znázorněno na obr. K.

JAK DRŽET STRUNOVOU SEKAČKU

VAROVÁNÍ: Pro práci s tímto nářadím se vhodně oblékněte, abyste snížili riziko úrazu. Nenoste volný oděv ani šperky. Používejte ochranu očí a chrániče sluchu. Noste odolné, dlouhé kalhoty, pevné boty a rukavice. Nenoste krátké kalhoty, sandály ani nechoďte bosí.

Před spuštěním držte sekačku oběma rukama, jednou rukou za zadní rukojeť a druhou, která musí být natažená (obr. L) za přední pomocnou rukojeť. Zkontrolujte vyvážený postoj a správnou žací vzdálenost, aniž by se musela obsluha překlónit.

SPUŠTĚNÍ/VYPNUTÍ STRUNOVÉ SEKAČKY

Spuštění

Stlačte páku pojistky a držte ji v této poloze. Stisknutím spouště zapnete strunovou sekačku, jak je znázorněno na obr. M.

Zastavení

Uvolněte páku pojistky a spoušť.

▲ POZNÁMKA: Motor má dvě rychlosti pro sekání, polohu „1“ pro nižší rychlost a polohu „2“ pro vyšší rychlost, jak je znázorněno na obr. M. Stačí při sekání přepnout spínač nastavení rychlosti do příslušné polohy.

Obr. M, následuje popis dílů:

M-1	Poloha 1
M-2	Poloha 2

▲ VAROVÁNÍ: Při přestávce a po skončení práce vždy vyjměte akumulátor ze strunové sekačky.

POUŽITÍ STRUNOVÉ SEKAČKY

▲ VAROVÁNÍ: Aby nedošlo k vážnému úrazu, používejte vždy při práci s tímto nářadím ochranné brýle. V prašném prostředí používejte ochrannou masku nebo protiprachový respirátor.

Před každým použitím vyčistěte prostor, kde budete stříhat. Odstraňte veškeré předměty, jako jsou např. kameny, rozbité sklo, hřebíky, dráty nebo provazy, které mohou být vrženy, nebo se mohou do žacího nástavce zaplést. Z prostoru vyžeňte děti, ostatní osoby a domácí zvířata. Minimální bezpečná vzdálenost pro děti, ostatní osoby a domácí zvířata je 15m; stále však hrozí riziko zasažení ostatních osob vymrštěnými předměty. Ostatním osobám doporučuje použití ochrany očí. Pokud se k vám někdo blíží, okamžitě vypněte motor a žací nástavec.

CZ

Před každým použitím zkontrolujte poškození/ opotřebení dílů

Zkontrolujte strunovou hlavu, kryt, přední pomocnou rukojeť a vyměňte díly, které jsou prasklé, zdeformované, ohnuté nebo jinak poškozené.

Vyžínací kotouč na okraji krytu se může časem ztupit. Doporučujeme vyžínací kotouč pravidelně brousit pilníkem, nebo jej vyměnit za nový.

▲ VAROVÁNÍ: Při montáži krytu, broušení nebo výměně kotouče vždy používejte rukavice. Pozor na nůž na krytu, chraňte si ruce před pořezáním.

Po každém použití sekačku vyčistěte.

▲ UPOZORNĚNÍ: Překážky ve větracích otvorech zabrání proudění vzduchu do pouzdra motoru, což povede k přehřátí nebo poškození motoru.

- K čištění nářadí používejte pouze neagresivní mýdlo a vlhký hadr. Dbejte, aby do nářadí nepronikla žádná kapalina; žádný díl tohoto nářadí nikdy neponořujte do kapaliny.
- Udržujte větrací otvory pouzdra motoru a hřídele vždy v čistotě

▲ VAROVÁNÍ: K čištění nůžek nikdy nepoužívejte vodu. K čištění plastových dílů nepoužívejte rozpouštědla. Většina plastů je náchylná k poškození různými typy komerčních rozpouštědel. K odstranění nečistot, prachu, oleje, maziva atd. použijte čistý hadr.

NASTAVENÍ DÉLKY ŽACÍ STRUNY

Strunová hlava umožňuje obsluhu více vysunout žací strunu bez zastavení motoru. Když se struna roztřepe nebo opotřebí, lze vysunout další část struny lehkým poklepáním na regulátoru struny o zem při práci se sekačkou (viz obr. N).

POZNÁMKA: Vysouvání struny se stává obtížnějším se zkracováním žací struny.

▲ VAROVÁNÍ: Nevýjímte ani neupravujte sestavu vyžínacího kotouče. Nadměrná délka struny způsobí přehřátí motoru, což může vést k vážnému úrazu.

VÝMĚNA STRUNY

▲ VAROVÁNÍ: Nikdy nepoužívejte kovem vyztužené struny, dráty, šňůry atd. Mohou se odломit a stát nebezpečnými projektily.

Existují dva způsoby výměny žací struny:

1. Navinout na cívkou novou strunu.
2. Instalovat předem navinutou cívkou (AS1300, AS1301, AS1302, v případě potřeby je k dostání u prodejci).

Navinutí nové struny na cívkou

Stiskněte dvě uvolňovací západky na spodní straně cívkou a vytáhněte držák cívkou (obr. O). Odmotejte přibližně 7m nové žací struny. Přeložte ji a navíňte na cívkou, jak je znázorněno na obr. P a Q. Pak provlékněte konce struny dvěma protilehlými zářezy v cívkou (obr. R) a nasadte cívkou na držák tak, aby byly zářezy vyrovnané s očky (obr. T). Nakonec srovnějte drážky držáku se západkami na spodní straně cívkou a zatlačte držák rovnoměrně dolů tak, aby zapadl na místo (obr. S).

POZNÁMKA: Před montáží hlavy sekačky vždy vyčistěte držák cívky, cívku a spodní část cívky. Zkontrolujte opotřebení držáku cívky, cívky a spodní části cívky. V případě potřeby opotřebované díly vyměňte.

POZNÁMKA: Pokud nenavínete strunu v uvedeném směru, nebude hlava sekačky pracovat správně.

Instalace předem navinuté cívky

Stiskněte dvě uvolňovací západky na spodní straně cívky a vytáhněte držák cívky (obr. O). Pak umístěte předem navinutou cívku na držák se zářezy vyrovnanými s očky držáku (obr. T). Nakonec srovnajte drážky držáku se západkami na spodní straně cívky a zatlačte držák rovnoměrně dolů tak, aby zapadl na místo (obr. S).

Obr. S a T, následuje popis dílů:

S-1	Západka	T-1	Zářez
S-2	Drážka	T-2	Očko

POZNÁMKA: Dbejte, aby západky na spodní straně cívky zapadly na místo, nebo cívka při práci vypadne.

ÚDRŽBA

VAROVÁNÍ: Při opravách používejte pouze originální náhradní díly. Pravidelně stroj kontrolujte a udržujte. Z důvodu bezpečnosti by měl všechny opravy provádět kvalifikovaný servisní technik.

VAROVÁNÍ: Akumulátorové nářadí se nemusi zapojovat do elektrické zásuvky, proto jsou vždy v provozním stavu. Aby nedošlo k vážnému úrazu, věnujte zvýšenou pozornost a péči údržbě, servisu, výměně žacího nebo jiného nástavce.

VAROVÁNÍ: Aby nedošlo k vážnému úrazu vyjměte před servisem, čištěním, výměnou nástavců nebo odstraněním materiálu nářadí akumulátor.

ČIŠTĚNÍ NÁŘADÍ

- Nářadí čistěte vlhkým hadrem s neagresivním čisticím prostředkem.
- Na plastové pouzdro nebo rukojeť nepoužívejte žádné silné čisticí prostředky. Mohou být poškozeny některými aromatickými oleji, jako např. borovicovým nebo citronovým a rozpouštědly, jako např. petrolej. Vlhkost může rovněž způsobit riziko úrazu elektrickým proudem. Veškerou vlhkost setřete suchým měkkým hadrem.
- K čištění větracích otvorů od nečistot a překážek na zadní části pouzdra použijte malý kartáč nebo proud vzduchu z malého vysavače.

SKLADOVÁNÍ NÁŘADÍ

- Pokud strunovou sekačku nepoužíváte, vyjměte z ní akumulátor.
- Nářadí před uskladněním řádně vyčistěte.
- Nářadí skladujte na suchém, dobře větraném, uzamčeném nebo vyvýšeném místě mimo dosah dětí. Nářadí neskladujte v blízkosti hnojiv, benzínu nebo jiných chemických látek.

Ochrana životního prostředí



Elektrické zařízení, nabíječku a baterie/ nabíjecí baterie nevhazujte do domovního odpadu!

Podle směrnice Evropského parlamentu a Rady 2012/19/EU se musí odpadní elektrická a elektronická zařízení a podle směrnice 2006/66/ES vadné nebo použité akumulátory/baterie sbírat odděleně.

Pokud se elektrická zařízení likvidují na zavážkách nebo skládkách, mohou do podzemní vody prosáknout nebezpečné látky, dostat se do potravního řetězce a poškodit tak vaše zdraví a zdravotní stav.

ES PROHLÁŠENÍ O SHODĚ



My, CHERVON EUROPE LTD.

47 CASTLE STREET, READING, RG1 7SR, UNITED KINGDOM

Prohlašujeme, že výrobek **56V lithium-iontová strunová sekačka ST1300E** splňuje základní požadavky na ochranu zdraví a bezpečnost následujících směrnic:

2006/42/ES, 2014/30/EU, 2011/65/EU, 2000/14/ES

Normy a technické specifikace vychází z:

EN 60335-1, EN 50636-2-91, EN ISO 11806-1, EN ISO 12100, EN 62233, EN 55014-1, EN 55014-2

Měřená hladina akustického výkonu: 89,25 dB(A).

Zaručená úroveň akustického výkonu: 93 dB(A).

Peter Melrose
Viceprezident společnosti
Chervon Europe

Dong Jianxun
Manažer kvality společnosti
Chervon

* (Pověřený zástupce společnosti CHERVON odpovědný za technickou dokumentaci)

01/04/2016

ODSTRAŇOVÁNÍ PROBLÉMŮ

PROBLÉM	PŘÍČINA	ŘEŠENÍ
Strunová sekačka se nespustí.	<ul style="list-style-type: none"> ■ K sekačce není připojen akumulátor. ■ Bez elektrického kontaktu mezi sekačkou a akumulátorem. ■ Akumulátor je vybitý. ■ Páka pojistky a spoušť nejsou stisknuté současně. 	<ul style="list-style-type: none"> ■ Nasaďte akumulátor na sekačku. ■ Vyměte akumulátor, zkontrolujte póly a znovu jej nainstalujte. ■ Nabijte akumulátor. ■ Stlačte páku pojistky, držte ji a stisknutím spouště zapnete strunovou sekačku.
Při sekání se strunová sekačka zastaví.	<ul style="list-style-type: none"> ■ Na sekačce není namontovaný kryt, což má za následek příliš dlouhou žací strunu a přetížení motoru. ■ Je použita těžká žací struna. ■ Hřídel motoru nebo strunová hlava jsou zablokované trávou. ■ Motor je přetížen. ■ Akumulátor strunové sekačky je příliš horký. ■ Akumulátor je odpojený od nářadí. ■ Akumulátor je vybitý. 	<ul style="list-style-type: none"> ■ Vyměte ze sekačky akumulátor a namontujte kryt. ■ Používejte výhradně nylonovou žací strunu s průměrem maximálně 2,0mm. ■ Zastavte sekačku, vyměte akumulátor a odstraňte trávu z hřídele motoru a strunová hlavy. ■ Vytáhněte strunovou hlavu z trávy. Motor začne pracovat, jakmile odstraníte zatížení. Při sekání pohybujte strunovou hlavou v sekané trávě tam a zpět, délka pohybu by neměla přesáhnout délku 20cm v jednom tahu. ■ Nechejte akumulátor nebo sekačku zchladnout, dokud teplota neklesne pod 67 °C. ■ Znovu nainstalujte akumulátor. ■ Nabijte akumulátor.
Ze strunové hlavy se nevysouvá struna.	<ul style="list-style-type: none"> ■ Hřídel motoru nebo strunová hlava jsou zablokované trávou. ■ Na cívice není struna v dostatečné délce. ■ Strunová hlava je znečištěná. ■ Struna se na cívice zamotala. ■ Struna je příliš krátká. 	<ul style="list-style-type: none"> ■ Zastavte sekačku, vyměte akumulátor a odstraňte trávu z hřídele motoru a strunová hlavy. ■ Vyměte baterii a vyměňte strunu; dodržujte pokyny uvedené v části „VÝMĚNA STRUNY“ v tomto návodu. ■ Vyměte akumulátor, vyčistěte cívku, držák cívky a spodní část cívky. ■ Vyměte akumulátor, vymotejte strunu z cívky a znovu ji navíňte; dodržujte pokyny uvedené v části „VÝMĚNA STRUNY“ v tomto návodu. ■ Vyměte baterii, zatáhněte za struny a současně poklepejte na regulátor struny.

PROBLÉM	PŘÍČINA	ŘEŠENÍ
Kolem strunové hlavy a pouzdra motoru se namotala tráva.	<ul style="list-style-type: none">■ Sekání vysoké trávy na úrovni terénu.	<ul style="list-style-type: none">■ Vysokou trávu sekejte shora dolů, pokaždé ne více než 20cm, aby nedocházelo k zamotání.
Struna neseče dobře.	<ul style="list-style-type: none">■ Vyžínací kotouč na okraji krytu se ztupil.	<ul style="list-style-type: none">■ Nabruste vyžínací kotouč pilníkem nebo jej vyměňte za nový.

ZÁRUKA

ZÁRUKA SPOLEČNOSTI EGO

Úplné záruční podmínky společnosti EGO naleznete na webové stránce egopowerplus.com.

PREČÍTAJTE SI VŠETKY POKYNY!



**PREČÍTAŤ SI & POCHOPIŤ
NÁVOD NA OBSLUHU**

⚠ Potenciálne riziká! Ľudia s elektronickými zariadeniami, ako sú napríklad kardiostimulátory, sa musia pred použitím tohto výrobku poradiť so svojim lekárom. Použitie elektrických zariadení v tesnej blízkosti kardiostimulátora by mohlo spôsobiť rušenie alebo zlyhanie kardiostimulátora.

⚠ VAROVANIE: Pre zaistenie bezpečnosti a spoľahlivosti je nevyhnutné, aby všetky opravy a výmeny vykonával len kvalifikovaný servisný technik.

BEZPEČNOSTNÉ SYMBOLY

Účelom bezpečnostných symbolov je upozorniť vás na možné nebezpečenstvá. Venujte príslušnú pozornosť a pochopte bezpečnostné symboly a ich vysvetlenia. Varovné symboly, samy o sebe, nedokážu eliminovať nebezpečenstvo. Pokyny a varovania, ktoré obsahujú, nie sú náhradou za vhodné opatrenia na prevenciu úrazov.

⚠ VAROVANIE: Pred použitím tohto nástroja si prečítajte a pochopte všetky bezpečnostné pokyny v tomto návode na obsluhu, vrátane všetkých bezpečnostných výstražných symbolov, ako sú „**NEBEZPEČENSTVO**“, „**VAROVANIE**“ a „**UPOZORNENIE**“. Nedodržanie nižšie uvedených pokynov môže mať za následok úraz elektrickým prúdom, požiar a / alebo vážne zranenie.

VÝZNAM SYMBOLU

BEZPEČNOSTNÝ VÝSTRAŽNÝ SYMBOL:

Označuje **NEBEZPEČENSTVO**, **VAROVANIE**, alebo **UPOZORNENIE**. Môže byť použitý v spojení s inými symbolmi alebo piktogramami.



⚠ VAROVANIE: Prevádzka akéhokoľvek elektrického náradia môže viesť k vymršteniu cudzích predmetov do vašich očí, čo môže spôsobiť vážne poškodenie zraku. Skôr, ako začnete používať elektrické náradie, si vždy nasadte ochranné okuliare alebo ochranné okuliare s postrannými krytmi a prípadne celotvárový štít. Odporúčame použiť bezpečnostnú masku Wide Vision cez okuliare alebo štandardné bezpečnostné okuliare s postrannými krytmi.

BEZPEČNOSTNÉ POKYNY

Táto strana zobrazuje a popisuje bezpečnostné symboly, ktoré sa objavujú na tomto výrobku. Pred pokusom o zostavenie a prevádzkovanie si prečítajte, pochopte a dodržiavajte všetky pokyny na stroji.

	Bezpečnostné upozornenie	Opatrenia, ktoré sa týkajú vašej bezpečnosti.
	Prečítajte si návod na obsluhu.	Ak chcete znížiť riziko zranenia, používateľ musí pred použitím tohto výrobku prečítať a pochopiť návodu na obsluhu.
	Používajte ochranu zraku.	Pri práci s týmto výrobkom vždy noste ochranné okuliare alebo ochranné okuliare s postrannými krytmi a celotvárový štít.
	Používajte ochranu sluchu.	Pri práci s týmto výrobkom vždy používajte ochranu sluchu.
	Priemer struny	Priemer nylonovej rezacej struny
	Rezná šírka	Max. rezná šírka strunovej kosačky
	Žiadne rezanie čepeľ	Neinštalujte kovové alebo plastové rezanie čepeľ
	Nevystavujte dažďu	Nepoužívajte v daždi, alebo nenechajte vonku, keď prší.
	Udržiavajte okolo stojace osoby v bezpečnej vzdialenosti.	Zabezpečte, aby ostatní ľudia a domáce zvieratá zostali vo vzdialenosti aspoň 15m od strunovej kosačky, keď sa používa.
	Udržiavajte okolo stojace osoby v bezpečnej vzdialenosti.	Zabezpečte, aby ostatní ľudia a domáce zvieratá zostali vo vzdialenosti aspoň 15m od strunovej kosačky, keď sa používa.
V	Volt	Napätie
A	Ampéry	Prúd
Hz	Hertz	Frekvencia (cyklov za sekundu)
W	Watt	Výkon

min	Minúty	Čas
~	Striedavý prúd	Typ prúdu
≡	Jednosmerný prúd	Typ alebo charakteristika prúdu
n_0	Rýchlosť bez zaťaženia	Rýchlosť otáčania, bez záťaže
... /min	Za minútu	Otáčky za minútu

DÔLEŽITÉ BEZPEČNOSTNÉ POKYNY

VAROVANIE: Pri používaní strunových kosačiek sa musia vždy dodržiavať základné bezpečnostné opatrenia pre zníženie rizika vzniku požiaru, úrazu elektrickým prúdom alebo poranenia osôb, vrátane nasledujúcich:

PRED POUŽITÍM SI POZORNE PREČÍTAJTE

ODLOŽTE SI PRE BUDÚCU POTREBU

NEBEZPEČENSTVO: Nespoliehajte sa izoláciu nástroja, ktorá má chrániť pred úrazom elektrickým prúdom. Ak chcete znížiť riziko úrazu elektrickým prúdom, nikdy nepoužívajte stroj v blízkosti akýchkoľvek drôtov alebo káblov (napájanie, atď.), ktoré môžu viesť elektrickým prúdom.

UPOZORNENIE: Počas používania používajte vhodné osobné prostriedky na ochranu sluchu. Za určitých podmienok a dlhšom použití môže hluk z tohto výrobku prispieť k poškodeniu sluchu.

ŠKOLENIE

- Prečítajte si pozorne tieto pokyny. Zoznámte sa s ovládacími prvkami a správnym používaním stroja.
- Nikdy nedovoľte ľuďom, ktorí nie sú oboznámení s týmito pokynmi, alebo deťom používať stroj. Miestne predpisy môžu obmedzovať vek obsluhy.
- Majte na pamäti, že obsluha alebo používateľ nesie plnú zodpovednosť za nehody a nepredvídané udalosti voči iným osobám a ich majetku.

PRÍPRAVA

- Nikdy nepoužívajte stroj za prítomnosti osôb, najmä detí, alebo zvierat v jeho blízkosti.
- Používajte ochranu očí a hrubé topánky po celú dobu používania stroja.
- Vzdialenosť medzi prístrojom a okolostojacimi osobami musí byť najmenej 15m.
- Nepoužívajte kovové čepele.

POUŽÍVANIE

- Stroj používajte iba za denného svetla alebo pri dobrom umelom osvetlení.
- Nikdy nepoužívajte stroj s poškodenými krytmi alebo štítkami, alebo bez nasadených krytov alebo štítov.
- Motor zapnite až vtedy, keď sú ruky a nohy mimo dosahu rezacích prostriedkov.
- Vždy odpojte stroj od napájania (t.j. vyťahnite zástrčku zo siete alebo vyberte blokovacie zariadenie).
 - vždy, keď necháte stroj bez dozoru;
 - pred odstraňovaním zablokovania;
 - pred kontrolou, čistením alebo prácou na stroji;
 - po zasiahnutí cudzieho predmetu;
 - vždy, keď stroj začne neobvykle vibrovať.
- Dávajte pozor na poranenia nôh a rúk rezacími prostriedkami.
- Zabezpečte, aby ventilačné otvory boli čisté.

ÚDRŽBA A SKLADOVANIE

- Pred vykonávaním údržby alebo čistením odpojte stroj od napájania (t.j. vyťahnite zástrčku zo siete alebo vyberte blokovacie zariadenie).
- Používajte len príslušenstvo a náhradné diely odporúčané výrobcom.
- Pravidelne kontrolujte a udržiavajte stroj. Nechajte stroj opraviť len u autorizovaného odborníka.
- Keď stroj nepoužívate, uskladnite ho mimo dosahu detí.

Iné bezpečnostné pokyny

- Neppracujte v nebezpečnom prostredí - Nepoužívajte kosačky vo vlhkom alebo mokrom prostredí.
- Vždy, keď necháte kosačku bez dozoru, vypnite ju, alebo vyberte akumulátor.
- Nepoužívajte v daždi.
- Nedovoľte deťom priblížiť sa - Všetci návštevníci sa musia zdržiavať v bezpečnej vzdialenosti od pracovnej oblasti.
- Vhodne sa obliekajte - Nenoste šperky alebo voľný odev. Môžu byť zachytené pohybujúcimi sa dielmi. Pri práci vonku odporúčame používať gumové rukavice a pevnú obuv. Používajte ochranné čiapky na dlhé vlasy.
- Používajte bezpečnostné okuliare - Vždy používajte protiprachovú masku, ak je práca prašná.
- Používajte správny nástroj - Nepoužívajte nástroj na iný ako určený účel.
- Nepretiažte kosačku - Kosačka si bude robiť svoju prácu lepšie a s menšou pravdepodobnosťou rizika poranenia, ak sa použije určeným spôsobom.

- **Nepreceňujte sa** - Pri práci vždy dodržujte správny postoj a rovnováhu.
- **Buďte pozorní** - Sledujte, čo robíte. Používajte zdravý rozum. Nepracujte s kosačkou, ak ste unavení.
- **Nepracujte s kosačkou**, keď ste pod vplyvom alkoholu alebo drog.
- **Majte chrániče nasadené a vo funkčnom stave.**
- **Kosačky skladujte vo vnútri** - Keď kosačku nepoužívate, skladujte ju vo vnútri na suchom, vyvýšenom a prípadne uzamknutom mieste s odstráneným akumulátorom - mimo dosahu detí.
- **Starostlivo udržiavajte kosačku** - Udržiavajte rezacie príslušenstvo čisté pre najlepšiu výkon a zníženie rizika zranenia. Dodržujte pokyny pre výmenu príslušenstva. Udržujte rukoväte suché, čisté, bez oleja a maziva.
- **Skontrolujte poškodené diely** - Pred ďalším používaním kosačky musí byť chránič alebo iná časť, ktorá je poškodená, starostlivo skontrolovaná na správnu funkciu a plnenie jej zamýšľaného účelu. Skontrolujte vyrovnanie pohyblivých častí, pripojenie pohyblivých častí, poškodenie jednotlivých dielov, montáž a akékoľvek iné okolnosti, ktoré môžu mať vplyv na prevádzku nástroja. Chránič alebo iná časť, ktorá je poškodená, musí byť správne opravená alebo vymenená v autorizovanom servisnom stredisku, pokiaľ nie je uvedené inak v tejto príručke.
- **Pred každým použitím vyčistite oblasť**, ktorá má byť rezaná. Odstráňte všetky predmety, ako sú kamene, rozbité sklo, klince, drôty alebo šnury, ktoré môžu byť vymrštené alebo môžu uviaznuť v stroji. Zabezpečte, aby ostatní ľudia a domáce zvieratá zostali vo vzdialenosti aspoň 15m.
- **Pred použitím stroja a po každom zásahu**, skontrolujte, či nejaví známky opotrebenia alebo poškodenia a podľa potreby ho opravte.
- **Vždy držte kosačku pri používaní pevne obomi rukami** na rukoväti. Palce a prsty obmotajte okolo rukoväti.
- **Zabráňte nechcenému spusteniu** - Neprenášajte kosačku s prstom na vypínači.
- **Neprevádzkujte kosačku v horľavom alebo výbušnom prostredí**. Motory v týchto zariadeniach bežne iskria a iskry by mohli vznietiť výpary.
- **Nedotýkajte sa pohyblivých nebezpečných častí pred vypnutím zariadenia (alebo vyberte batériu zo stroja) a pokiaľ sa pohyblivé nebezpečné časti úplne nezastavia.**
- **Poškodenie kosačky** - Ak zasiahnete cudzí predmet kosačkou, alebo ak sa kosačka zamotá, okamžite zastavte nástroj, vyberte batériu zo strunovej kosačky, skontrolujte poškodenie a akékoľvek poškodenie nechajte opraviť skôr, než sa pokúsite o ďalšiu prevádzku. Nepracujte s poškodeným krytom alebo cievkou.
- **V prípade, že nástroj začne nezvyčajne vibrovať**, vypnite motor, vyberte batériu zo strunovej kosačky a ihneď zistite príčinu. Vibrácie zvyčajne upozorňujú na problém. Uvoľnená hlava môže vibrovať, prasknúť, zlomiť sa alebo odletieť z kosačky, čo môže viesť k vážnemu alebo smrteľnému zraneniu. Uistite sa, že rezné príslušenstvo je správne uchytené na svojom mieste. V prípade, že sa hlava po upevnení uvoľní, ihneď ju vymeňte. Nikdy nepoužívajte kosačku s voľným rezacím príslušenstvom.
- **Ihneď vymeňte prasknutú, poškodenú alebo opotrebovanú rezaciu hlavu**, aj keď je poškodenie obmedzené na povrchové praskliny. Takéto príslušenstvo sa môže pri vysokej rýchlosti roztrieštiť a spôsobíť vážne alebo smrteľné zranosti.
- **Počas prevádzky kontrolujte rezacie príslušenstvo** v pravidelných krátkych intervaloch, alebo ihneď, ak vznikne nápadná zmena v charakteristike rezania.
- **Používajte iba EGO™ autorizované polymérové strunové príslušenstvo a kosačkové struny**, ktoré sú určené pre použitie s týmito nástrojmi. Aj keď niektoré neautorizované príslušenstvo môže byť namontované na strunové kosačky EGO™, ich použitie môže byť veľmi nebezpečné a/alebo škodlivé pre nástroje.
- **Aby sa znížilo riziko vážneho zranenia**, nikdy nepoužívajte drôt alebo kovom zosilnenú strunu či iný materiál namiesto nylonových rezacích strún. Kúsky drôtu by sa mohli zlomiť a mohli by byť vymrštené vysokou rýchlosťou smerom k obsluhu alebo prizerajúcim sa.
- **Za účelom zníženia rizika zranenia kvôli strate kontroly**, nikdy nepracujte na rebriku alebo na inej nejstej podpore. Nikdy nedržte rezacie príslušenstvo nad úrovňou pásu.
- **Ak sa vyskytnú situácie, ktoré nie sú zahrnuté v tomto návode**, použite starostlivosť a zdravý úsudok. Obráťte sa na servisné stredisko EGO pre pomoc.
- **Nedobíjajte akumulátor v daždi alebo vo vlhkom prostredí.**
- **Používajte iba s nižšie uvedenými akumulátormi a nabíjačkami:**

BATÉRIA	NABÍJAČKA
BA1120E, BA2240E, BA2800, BA3360, BA4200	CH5500E, CH2100E

- **Pred likvidáciou musí byť akumulátor odstránený zo spotrebiča.**
- **Batérie likvidujte bezpečným spôsobom.**
- **Batérie nevyhadzujte do ohňa.** Články môžu explodovať. Pozrite si miestne vyhlášky so špeciálnymi pokynmi na likvidáciu.

- Neotvárajte alebo nepoškodzuje batérie. Uvoľnený elektrolyt je žieravina a môže spôsobiť poškodenie očí alebo kože. Môže byť toxická pri požití.
- Pri manipulácii s batériami buďte opatrní, aby nedošlo ku skratovaniu batérie vodivými materiálmi, ako sú prstene, náramky a kľúče. Batérie alebo vodiče sa môžu prehriať a spôsobiť popáleniny.
- Pri servise používajte iba identické náhradné diely EGO™. Použitie iného príslušenstva alebo prídavného zariadenia môže zvýšiť riziko poranenia.
- Nástroje na batérie nemusia byť zapojené do elektrickej zásuvky; preto sú vždy v prevádzkovom stave. Buďte si vedomí možných rizík, aj keď sa nástroj nepoužíva. Buďte opatrní pri vykonávaní údržby alebo servisu.
- Neumývajte s hadicou; zabráňte tomu, aby sa voda dostala do motora a elektrických prípojek.
- Odložte si tieto pokyny. Používajte ich často a poučte o používaní pokynov aj ostatných, ktorí môžu tento nástroj používať. Ak požičiate tento nástroj niekomu inému, požičajte mu aj tieto pokyny, aby sa zabránilo zneužitiu výrobku a prípadným zraneniam.
- Vždy noste pevnú obuv a dlhé nohavice pri práci so strojom.
- Vždy sa uistíte o vašom stabilnom postoji na svahoch a kráčajte, nikdy nebežte.

- Uvádzaná celková hodnota vibrácií bola meraná v súlade so štandardnou skúšobnou metódou a môže byť použitá na porovnanie jedného zariadenia s iným;
- Uvádzaná celková hodnota vibrácie sa môže použiť aj na predbežný odhad expozície.

POZNÁMKA: Emisia vibrácií pri skutočnom používaní náradia sa môže odlišovať od deklarovanej hodnoty, pri akej sa nástroj používa; Za účelom ochrany obsluhy má používateľ v skutočných podmienkach použitia nosiť rukavice a ochranu sluchu.

OBSAH BALENIA

NÁZOV DIELU	MNOŽSTVO
Strunová sekačka	1
Kryt	1
Sestava predná pomocná rukojeť	1
Šestihranný kľúč	1
Návod k obsluze	1

POPIS

SPOZNAJTE VAŠU STRUNOVÚ KOSAČKU (obr. A)

1. Spúšťač
2. Zadná rukojeť
3. Poistná páčka
4. Prepínač rýchlostí
5. Mäkké puzdro
6. Nastaviteľná predná pomocná rukojeť
7. Strunová hlava (rezacia hlava)
8. Gombík hlavy
9. Strunová čepeľ
10. Chránič
11. Vysunovací mechanizmus
12. Elektrické kontakty
13. Západka
14. Tlačidlo na uvoľnenie batérie

ODLOŽTE SI TIETO POKYNY!

TECHNICKÉ ÚDAJE

Napätie	56 V $\overline{\text{---}}$	
Rýchlosť naprázdno	5200-6500 /min	
Rezací mechanizmus	Strunová hlava	
Typ rezacej struny	AL0802 2.0mm Nylonové zvrät riadok	
Rezná šírka	33 cm	
Hmotnosť (bez akumulátora)	2,76 kg	
Hladina akustického výkonu L_{WA} (meraná podľa 2000/14/EC)	89,25 dB(A) K=2,5 dB(A)	
Maximálne hladina akustického tlaku pri uchu obsluhy L_{PA}	75,2 dB(A) K=2,5 dB(A)	
Garantovaná hladina akustického výkonu L_{WA} (meraná podľa 2000/14/EC)	93dB(A)	
Vibrácie a_h	Predná pomocná rukojeť	2,134 m/s ² K=1,5 m/s ²
	Zadná rukojeť	1,231 m/s ² K=1,5 m/s ²

ZOSTAVA

VAROVANIE: Ak akýkoľvek diel chýba, alebo je poškodený, nepoužívajte tento výrobok, kým nie sú vymenené diely. Ak používate tento výrobok s poškodenými alebo chýbajúcimi časťami, môže dôjsť k vážnemu zraneniu.

VAROVANIE: Nepokúšajte sa upravovať tento výrobok alebo vytvoriť príslušenstvo, ktoré nie je odporúčané pre použitie s touto strunovou kosačkou. Každá takáto zmena alebo úprava je zneužitím a môže viesť k nebezpečnému stavu spôsobujúcemu vážne poranenie.

VAROVANIE: Aby sa zabránilo náhodnému spusteniu, ktoré by mohlo viesť k vážnemu zraneniu, vždy vyberte akumulátor z nástroja pri montáži dielov.

MONTÁŽ CHRÁNIČA

VAROVANIE: Pri montáži alebo výmene chrániča vždy používajte rukavice. Dajte si pozor na ostré hrany na chrániči a chráňte si ruky pred porezaním.

VAROVANIE: Nikdy nepoužívajte náradie bez nasadeného ochranného krytu. Chránič musí byť vždy na nástroji na ochranu používateľa! Po pripnutí chrániča sa nikdy nepokúšajte odstrániť alebo upraviť chránič. Ak je nutná výmena, nechajte ju vykonať iba oprávneným servisným technikom!

Povoľte a odstráňte dve kombinované skrutky zo základne hriadeľa (obr. B). Zarovnajtie montážne otvory chrániča s montážnymi otvormi a pripnite chránič na základňu hriadeľa s dvoma skrutkami. Zabezpečte, aby bol chránič pripnutý podľa obr. B a C. Akékoľvek iné upevnenie spôsobí veľké nebezpečenstvo!

MONTÁŽ A NASTAVENIE PREDNEJ POMOCNEJ RUKOVÄTE

Zatlačte prednú pomocnú rukoväť na hriadeľ (obr. E), založte upínací blok do drážky držadla (obr. F), namontujte poistnú páčku a zaisťte s krídlovou maticou (obr. G). Poradie je znázornené na obr. D. Nakoniec nastavte polohu prednej pomocnej rukoväte tak, aby vaša predná ruka bola rovno pri použití kosačky (obr. H) a zaisťte zaisťovacou páčkou (obr. I).

Popis dielov na obr. D a H si pozrite nižšie:

D-1	Predná pomocná rukoväť	D-4	Krídlová matica
D-2	Poistná páčka	H-1	Mäkké puzdro
D-3	Upínací Blok	H-2	Varovný štítok

POZNÁMKA: Predná pomocná rukoväť má byť otočená nahor, aby smerovala k hornej časti rukoväte.

VAROVANIE: Prednú pomocnú rukoväť pripnite len na prednú časť mäkkého puzdra na hriadeľ.

VAROVANIE: Tento nástroj nie je možné používať bez spoľahlivo upevnenej prednej pomocnej rukoväte.

OBSLUHA

VAROVANIE: Nedovoľte, aby ste sa po zoznámení s týmto výrobkom stali neopatrnými. Zapamätajte si, že zlomok sekundy neopatrnosti postačuje na spôsobenie vážneho poranenia.

VAROVANIE: Vždy používajte ochranu zraku s bočnými ochrannými krytmi. Spolu s ochranou sluchu. Ak tak neurobite, môže dôjsť k vymršteniu predmetov do očí a iným možným vážnym zraneniam.

VAROVANIE: Nepoužívajte žiadne prídavné zariadenia alebo príslušenstvo, ktoré nie sú odporúčané výrobcom tohto výrobku. Používanie prídavných zariadení alebo príslušenstva, ktoré nie sú odporúčané, môže viesť k vážnemu zraneniu.

VAROVANIE: Strunovú kosačku používajte s vhodnou rezacou strunou len na kosenie trávy a podobného materiálu.

Tento výrobok môžete použiť na nižšie uvedené účely:

Kosenie: slúži na odstránenie trávy a buriny pri mŕoch, plotoch, stromoch a okrajoch.

Rezanie: slúži na kosenie trávy, ktorú je ťažké dosiahnuť za použitia normálnej kosačky.

POZNÁMKA: Nástroj sa musí používať len na predpísané účely. Každé iné použitie, napríklad orezávanie okrajov, sa považuje za prípad zneužitia.

INŠTALÁCIA ODPOJENIE AKUMULÁTORA

Nabite pred prvým použitím.

Inštalácia

Zarovnajtie výčnelky na batérii s montážnymi drážkami a zatlačte akumulátor nadol, kým nebudete počuť „cvaknutie“. (obr. J)

Odpojenie

Stlačte tlačidlo pre uvoľnenie batérie a vytiahnite ju von, ako je znázornené na obr. K.

DRŽANIE STRUNOVEJ KOSAČKY

VAROVANIE: Oblečte sa vhodne pri práci s týmto náradím, aby sa znížilo riziko poranenia. Nenoste šperky alebo voľný odev. Používajte ochranu očí a sluchu. Oblečte si odolné, dlhé nohavice, vysoké topánky a rukavice. Nenoste krátke nohavice, sandále alebo nebudte naboso.

Pred uvedením do prevádzky držte kosačku oboma rukami, jednu ruku na zadnej rukoväti a druhú na prednej pomocnej rukoväti, pričom ruka musí byť rovná (obr. L). Potom si skontrolujte vyvážené postavenie a správnu rezaciu vzdialenosť bez toho, aby bola obsluha predklonená.

SPUSTENIE / ZASTAVENIE STRUNOVEJ KOSAČKY

Spustenie

Stlačte dole poistnú páčku a podržte ju v tejto polohe. Stlačte vypínač pre zapnutie strunovej kosačky podľa obr. M.

Zastavenie

Uvoľnite poistnú páčku a vypínač.

▲ POZNÁMKA: Motor má dve rýchlosti na kosenie. Poloha „1“ pre nižšiu rýchlosť a poloha „2“ pre vysokú rýchlosť, ako je znázornené na obr. M. Stačí prepnúť prepínač nastavenia rýchlosti do vhodnej polohy pri kosení.

Popis dielov na obr. M si pozrite nižšie:

M-1	Poloha 1
M-2	Poloha 2

▲ VAROVANIE: Počas pracovných prestávok a po ukončení práce vždy vyberte akumulátor zo strunovej kosačky.

POUŽÍVANIE STRUNOVEJ KOSAČKY

▲ VAROVANIE: Aby nedošlo k vážnemu zraneniu, noste okuliare alebo ochranné okuliare po celú dobu používania prístroja. Používajte masku alebo masku proti prachu v prašnom prostredí.

Pred každým použitím vyčistíte oblasť, ktorá má byť rezaná. Odstráňte všetky predmety, ako sú kamene, rozbité sklo, klince, drôty alebo šnúry, ktoré môžu byť vyvrátené alebo môžu viaznuť v stroji. Zabráňte prístupu deťom, prítomným osobám a domácim zvieratám. Všetky deti, prizerajúce sa osoby a zvieratá sa musia zdržiavať vo vzdialenosti najmenej 15 metrov; stále ešte môže existovať riziko vyvrátenia predmetov na prizerajúce sa osoby. Okoloostojace osoby by mali mať ochranu očí. Ak sa približujú, okamžite zastavte motor a reznú príslušenstvo.

Pred každým použitím skontrolujte, či nie sú poškodené / opotrebované diely

Skontrolujte strunovú hlavu, chránič a prednú pomocnú rukoväť a diely, ktoré sú prasknuté, zdeformované, ohnuté, alebo inak poškodené.

Strunová čepeľ na okrajoch chrániča sa v priebehu času otupí. Odporúčame, aby ste ju pravidelne prebrúsili pilníkom, alebo ju nahradili za novú čepeľ.

▲ VAROVANIE: Pri montáži alebo ostrení chrániča alebo pri výmene čepele vždy používajte rukavice. Dajte si pozor na ostré hrany na chrániči a chráňte si ruky pred porenaním.

Po každom použití vyčistite kosačku.

▲ UPOZORNENIE: Prekážky vo vetracích otvoroch bránia prívodu vzduchu do krytu motora, čoho následkom je prehriatie alebo poškodenie motora.

- Používajte iba mydlový roztok a vlhkú handričku na čistenie náradia. Zabráňte preniknutiu akejkoľvek kvapaliny do vnútorných častí náradia; Nikdy neponárajte žiadnu časť náradia do kvapaliny.
- Udržujte vetracie otvory v kryte motora a hriadelí vždy bez nečistôt

▲ VAROVANIE: Nikdy nepoužívajte vodu na čistenie nožnic. Na čistenie plastových dielov nepoužívajte rozpúšťadlá. Väčšina plastov je náchylná na poškodenie z rôznych typov komerčných rozpúšťadiel. Použite čisté handry na odstránenie nečistôt, prachu, oleja, maziva, atď.

NASTAVENIE DĹŽKY REZNEJ STRUNY

Strunová hlava umožňuje obsluhu predžití rezaciu strunu bez zastavenia motora. Ak sa struna rozstrapká alebo opotrebuje, je možné vysunúť ďalšiu strunu ľahkým poklepaním gombíka hlavy o zem pri používaní kosačky (obr. N).

POZNÁMKA: Uvoľnenie struny sa stáva ťažšie, keď sa struna skraccuje.

▲ VAROVANIE: Neodstraňujte alebo nemeňte zostavu strunovej rezacej čepele. Nadmerná dĺžka struny môže spôsobiť prehriatie motora a môže dôjsť k vážnemu zraneniu.

VÝMENA STRUNY

▲ VAROVANIE: Nikdy nepoužívajte kovom vystužené struny, drôty, šnúry atď. Môžu sa odtrhnúť a stať sa nebezpečnými projektilmi.

Existujú dva spôsoby, ako vymeniť rezaciu strunu:

1. Na cievku navíňte novú strunu.
2. Nainštalujte už navinutú cievku (AS1300, AS1301, AS1302 je k dispozícii u predajcu, ak je to nutné).

Na cievku navíňte novú strunu

Stlačte dve západky na uvoľnenie cievky zo základne a vytiahnite držiak z cievky (obr. O). Vytiahnite približne 7m novej rezacej struny. Preložte a namotajte ju na cievku ako na obr. P a Q. Potom položte konce struny na dva protilahlé zárezy v cievke (obr. R) a cievku umiestnite na jej miesto so zárezmi zarovnanými s prídružnými očkami (viď obr. T). Nakoniec zarovnajete prídružné drážky s jazýčkami na základni cievky a zatlačte držiak rovnomerne dole tak, aby zapadol na svoje miesto (obr. S).

POZNÁMKA: Pred opätovnou montážou strunovej hlavy vždy vyčistíte držiak cievky, cievku a základňu cievky. Skontrolujte na opotrebovanie držiak cievky, cievku a základňu cievky. Ak je nutné, vymeňte opotrebované diely.

POZNÁMKA: Nesprávne navinutie struny vo vyznačenom smere spôsobí nesprávne fungovanie strunovej hlavy.

Inštalácia už navinutej cievky

Stlačte dve západky na uvoľnenie cievky zo základne a vytiahnite držiak z cievky (obr. O). Potom umiestnite už navinutú cievku do držiaka so zárezmi zarovnanými s pridržnými očkami (viď obr. T). Nakoniec zarovnajte pridržené drážky s jazýčkami na základni cievky a zatlačte držiak rovnomerne dole tak, aby zapadol na svoje miesto (obr. S).

Popis dielov na obr. S a T si pozrite nižšie:

S-1	Západka	T-1	Zárez
S-2	Drážka	T-2	Očko

POZNÁMKA: Zabezpečte, aby jazýčky na základni cievky zaskočili, inak sa cievka uvoľní počas prevádzky.

ÚDRŽBA

VAROVANIE: Pri servise používajte iba identické náhradné diely. Pravidelne kontrolujte a udržiavajte stroj. Pre zaistenie bezpečnosti a spoľahlivosti je nevyhnutné, aby všetky opravy vykonával len kvalifikovaný servisný technik.

VAROVANIE: Nástroje na batérie nemusia byť zapojené do elektrickej zásuvky; preto sú vždy v prevádzkovom stave. Aby nedošlo k vážnemu zraneniu, prijmite osobitné opatrenia a pozornosť pri vykonávaní údržby, opravy alebo výmene rezacieho alebo iného príslušenstva.

VAROVANIE: Aby nedošlo k vážnemu zraneniu, tak pred vykonávaním údržby, čistením, výmenou príslušenstva alebo odstraňovaním materiálu z prístroja vyberte akumulátor z náradia

ČISTENIE PRÍSTROJA

- Výrobok čistíte vlhkou handričkou a jemným saponátom.
- Nepoužívajte žiadne silné čistiace prostriedky na plastovom kryte alebo rukoväti. Môžu byť poškodené určitými aromatickými olejmi, ako je borovica a citrón, a rozpúšťadlami, ako je petrolej. Vlhkosť môže tiež spôsobiť nebezpečenstvo úrazu elektrickým prúdom. Akúkoľvek vlhkosť poutierajte mäkkou a suchou handrou.

- Použite malú kefu alebo vzduch z malého vysávača s kefkou na vyčistenie vetracích otvorov od nečistôt na zadnom kryte.

USKLADNENIE PRÍSTROJA

- Vyberte akumulátor zo strunovej kosačky, keď ju už nepoužívate.
- Pred uložením prístroj dôkladne vyčistite.
- Prístroj skladujte na suchom a dobre vetranom uzamknutom alebo vyvýšenom mieste mimo dosahu detí. Prístroj neskladujte v blízkosti hnojív, benzínu alebo iných chemikálií.

Ochrana životného prostredia



Nevyhádzajte elektrické zariadenia, nabíjačku batérií a batérie / akumulátory do domového odpadu!

Podľa európskej smernice 2012/19/EU elektrické a elektronické zariadenia, ktoré už nie sú použiteľné a podľa európskej smernice 2006/66/EC chybné alebo použité akumulátory / batérie sa musia zhromažďovať oddelene.

Ak sú elektrické spotrebiče likvidované na neorganizovaných skládkach alebo smetiskách, môžu nebezpečné látky unikať do podzemných vôd, dostať sa do potravinového reťazca a poškodzovať zdravie.

VYHLÁSENIE O ZHODE ES



My, CHERVON EUROPE LTD.

47 CASTLE STREET, READING, RG1 7SR, UNITED KINGDOM

Prehlasujeme, že výrobok **56 V lítium-iónová akumulátorová strunová kosačka ST1300E** spĺňa základné požiadavky na ochranu zdravia a bezpečnosť podľa týchto smerníc:

2006/42/ES, 2014/30/EÚ, 2011/65/EÚ, 2000/14/ES

Uvedené normy a technické špecifikácie:

EN 60335-1, EN 50636-2-91, EN ISO 11806-1, EN ISO 12100, EN 62233, EN 55014-1, EN 55014-2

Nameraná hladina akustického výkonu: 89,25 dB(A).
Garantovaná hladina akustického výkonu: 93 dB(A).

Peter Melrose
Viceprezident spoločnosti
Chervon Europe

Dong Jianxun
Manažér kvality spoločnosti
Chervon

* (Autorizovaný zástupca pre spoločnosť Chervon a osoba zodpovedná za technickú dokumentáciu)

01/04/2016

ODSTRAŇOVANIE PROBLÉMOV

PROBLÉM	PRÍČINA	RIEŠENIE
Strunová kosačka sa nespustí.	<ul style="list-style-type: none"> ■ Akumulátor nie je pripojený do strunovej kosačky. ■ Žiadny elektrický kontakt medzi kosačkou a batériou. ■ Akumulátor je vybitý. ■ Poistná páčka a spínač nie sú súčasne stlačené. 	<ul style="list-style-type: none"> ■ Pripojte akumulátor do kosačky. ■ Vyberte batériu, skontrolujte kontakty a nainštalujte akumulátor. ■ Nabite akumulátor. ■ Pre zapnutie strunovej kosačky zatlačte poistnú páčku a podržte ju, potom stlačte vypínač.
Strunová kosačka sa zastaví pri kosení.	<ul style="list-style-type: none"> ■ Chránič nie je namontovaný na kosačke, čo spôsobuje príliš dlhý rez a preťaženie motora. ■ Je použitá príliš ťažká struna. ■ Tráva sa namotala na hriadeľ motora alebo hlavu kosačky. ■ Motor je preťažený. ■ Akumulátor alebo strunová kosačka sú príliš horúce. ■ Akumulátor je odpojený od nástroja. ■ Akumulátor je vybitý. 	<ul style="list-style-type: none"> ■ Vyberte akumulátor a namontujte chránič na kosačku. ■ Používajte iba nylonovú rezaciu strunu s priemerom najviac 2,0mm. ■ Zastavte kosačku, vyberte batériu a odstráňte trávu z hriadeľa motora a hlavy kosačky. ■ Vytiahnite hlavu kosačky z trávy. Motor sa rozbehne, keď sa preťaženie odstráni. Pri kosení pohybujte hlavou kosačky dovnútra a von z trávy tak, aby sa pokosila a odstránila najviac 20cm dĺžka v jednom reze. ■ Nechajte akumulátor alebo strunovú kosačku vychladnúť, kým teplota neklesne pod 67 ° C. ■ Znovu vložte akumulátor. ■ Nabite akumulátor.
Strunová hlava nevysúva strunu.	<ul style="list-style-type: none"> ■ Tráva sa namotala na hriadeľ motora alebo hlavu kosačky. ■ Na cievke nie je dostatok struny. ■ Strunová hlava je znečistená. ■ Struna je zamotaná na cievke. ■ Struna je príliš krátka. 	<ul style="list-style-type: none"> ■ Zastavte kosačku, vyberte batériu a odstráňte trávu z hriadeľa motora a hlavy kosačky. ■ Vyberte batériu a vymeňte strunu; postupujte podľa časti „VÝMENA STRUNY“ v tomto návode na obsluhu. ■ Vyberte batériu a vyčistite cievku, držiak cievky a základňu cievky. ■ Vyberte batériu a vymeňte strunu; postupujte podľa časti „VÝMENA STRUNY“ v tomto návode na obsluhu. ■ Vyberte batériu a vytiahnite strunu a zároveň striedavo pritláčajte gombík hlavy.

PROBLÉM	PRÍČINA	RIEŠENIE
Tráva obafuje hlavu kosačky a kryt motora.	<ul style="list-style-type: none">■ Kosenie vysokej trávy na úrovni terénu.	<ul style="list-style-type: none">■ Koste vysokú trávu od zhora nadol, pri každom prechode odstraňujte najviac 20cm, aby nedošlo k namotaniu.
Struna dobre nekosi.	<ul style="list-style-type: none">■ Strunová čepeľ na okraji chrániča sa otupila.	<ul style="list-style-type: none">■ Naostrite strunovú čepeľ pilníkom, alebo ju vymeňte za novú čepeľ.

ZÁRUKA

ZÁRUČNÁ POLITIKA EGO

Navštívte webové stránky egopowerplus.com pre úplné podmienky záručnej politiky spoločnosti EGO.

PERSKAITYKITE VISĄ INSTRUKCIJĄ!



PERSKAITYKITE NAUDOJIMO INSTRUKCIJĄ IR ĮSITIKINKITE, AR JĄ SUPRATOTE

⚠ Liekamoji rizika! Žmonės, kuriems implantuoti elektroniniai prietaisai, pvz., širdies stimulatoriai, prieš pradėdami naudoti šį gaminį turėtų pasikonsultuoti su savo gydytoju (-ais). Šalia širdies stimulatoriaus veikianti elektros įranga gali sukelti širdies stimulatoriaus veikimo trukdžius arba gedimą.

⚠ ĮSPĖJIMAS: Norint užtikrinti saugų ir patikimą gaminio naudojimą, visus remonto ir keitimo darbus turi atlikti kvalifikuotas techninės priežiūros specialistas.

SAUGOS SIMBOLIAI

Šių simbolių paskirtis – atkreipti dėmesį į galimus pavojus. Gerai susipažinkite su saugos simboliais bei jų paaiškinimais ir juos įsidėmėkite. Simbolių įspėjimai patys savaime negali apsaugoti nuo pavojų. Jais žymimi nurodymai ir įspėjimai neatstoja tinkamų nelaimingų atsitikimų prevencijos priemonių.

⚠ ĮSPĖJIMAS: Prieš pradėdami naudoti šį gaminį perskaitykite visus šioje naudojimo instrukcijoje pateiktus saugos nurodymus, taip pat susipažinkite su visais saugos įspėjamaisiais simboliais, tokiais kaip „PAVOJUS“, „ĮSPĖJIMAS“, ir „PERSPĖJIMAS“, ir įsitikinkite, kad juos supratote. Nesilaikant visų toliau išdėstytų nurodymų galima patirti elektros smūgį, sukelti gaisrą ir (arba) sunkiai susižeisti.

SIMBOLIO REIKŠMĖ

SAUGOS ĮSPĖJAMASIS SIMBOLIS: nurodo **PAVOJŲ, ĮSPĖJIMĄ**, arba **PERSPĖJIMĄ**. Gali būti panaudotas su kitais simboliais arba piktogramomis.



⚠ ĮSPĖJIMAS: Naudojant bet kokius elektros prietaisus gali būti išsviesti ir pataikyti į akis pašaliniai objektai, galintys sunkiai sužeisti akis. Prieš pradėdami naudoti elektros prietaisą, visada užsidėkite apsauginius akinius arba apsauginius akinius su šonine apsauga ir, kai reikia, visą veidą dengiantį skydelį. Rekomenduojame naudoti platų matymo lauką užtikrinančią apsauginę kaukę ant akinių arba standartinius apsauginius akinius su šonine apsauga.

SAUGOS NURODYMAI

Šiame puslapyje pavaizduoti ir aprašyti saugos simboliai, kurių gali būti ant šio gaminio. Prieš pradėdami surinkti ir naudoti prietaisą, perskaitykite visus ant jo pateiktus nurodymus, įsitikinkite, kad juos supratote, ir jais vadovaukitės.

	Saugos įspėjimas	Atsargumo priemonės, skirtos užtikrinti jūsų saugumą.
	Perskaitykite naudojimo instrukciją	Kad sumažintų pavojų susižaloti, naudotojas turi perskaityti naudojimo instrukciją ir įsitikinti, kad ją suprato.
	Dėvėkite akių apsaugos priemones	Naudodami šį gaminį visada užsidėkite apsauginius akinius arba apsauginius akinius su šonine apsauga ir visą veidą dengiantį skydelį.
	Dėvėkite ausų apsaugos priemones	Naudodami šį gaminį visada dėvėkite ausų apsaugos priemones.
	Linijos skersmuo	Nailoninio pjovimo valo skersmuo
	Pjovimo plotis	Maks. žoliapjovės pjovimo tako plotis
	Be pjovimo ašmenų	Nediekite metalo arba plastiko pjovimo ašmenų
	Nenaudokite lyjant lietu	Nedirbkite su žoliapjove lyjant lietu, taip pat nepalikite lauke, kai lyja.
	Neleiskite artintis pašaliniams asmenims	Užtikrinkite, kad kiti žmonės ir argintiniai būtų ne mažesniu nei 15m atstumu nuo žoliapjovės, kai ji naudojama.
	Neleiskite artintis pašaliniams asmenims	Užtikrinkite, kad kiti žmonės ir argintiniai būtų ne mažesniu nei 15m atstumu nuo žoliapjovės, kai ji naudojama.
V	Voltas	Įtampa
A	Amperai	Srovė
Hz	Hercas	Dažnis (ciklai per sekundę)
W	Vatas	Galia

min	Minutės	Laikas
~	Kintamoji elektros srovė	Srovės tipas
≡	Nuolatinė elektros srovė	Srovės tipas arba charakteristika
n ₀	Sūkliai be apkrovos	Sukimosi greitis, kai nėra apkrovos
.../min	Per minutę	Apsisukimai per minutę

SVARBŪS SAUGOS NURODYM AI

⚠️ ĮSPĖJIMAS: Naudodami akumuliatorines žoliapjoves, visada imkitės svarbiausių atsargumo priemonių, kad sumažintumėte gaisro, elektros smūgio ir susižalojimo pavojų, įskaitant:

ATIDŽIAI PERSKAITYKITE PRIEŠ NAUDODAMI

PASIDĖKITE, KAD PRIREIKUS GALĖTUMĖTE PASIŽIURĖTI

⚠️ PAVOJUS. Nepasikliaukite įrenginio izoliacija nuo elektros smūgio. Norėdami sumažinti elektros smūgio riziką, niekada neekspluatuokite įrenginio netoli bet kokių laidų arba kabelių (elektros ir pan.), kuriais gali tekėti elektros srovė.

⚠️ PERSPĖJIMAS: Eksploatacijos metu dėvėkite tinkamas asmenines klausos apsaugos priemones. Tam tikromis sąlygomis ir dėl naudojimo trukmės šio gaminio keliamas triukšmas gali prisidėti prie klausos netekimo.

MOKYMAS

- Atidžiai perskaitykite instrukciją. Susipažinkite su valdikliais ir nurodymais, kaip tinkamai naudoti įrenginį.
- Įrenginio niekada neleiskite naudoti vaikams arba žmonėms, nesusipažinusiems su šia instrukcija. Vietiniai teisės aktai gali riboti operatoriaus amžių.
- Turėkite omenyje, kad operatorius arba naudotojas atsako už nelaimingus atsitikimus ir pavojus, keliamus kitiems žmonėms ir jų nuosavybei.

PASIRUOŠIMAS

- Niekada neekspluatuokite įrenginio, kai netoliese yra žmonių, ypač vaikų, arba augintinių.
- Visada eksploatuodami įrenginį dėvėkite akių apsaugos priemones ir patvarius batus.
- Visi pašaliniai asmenys turi būti mažiausiai 15m atstumu nuo įrenginio.
- Nenaudokite metalinių peilių

NAUDOJIMAS

- Veją pjaukite tik dieną arba esant tinkamam dirbtiniam apšvietimui.
- Niekada nenaudokite įrenginio, kai saugos priemonės ar skydeliai sugadinti arba kai jie neuždėti.
- Variklį įjunkite tik patraukę rankas ir kojas nuo pjovimo dalies.
- Visada atjunkite įrenginį nuo maitinimo šaltinio (t. y. ištraukite kištuką iš elektros lizdo arba nuimkite saugos įtaisą).
 - visada, kai paliekate vejojapovę be priežiūros;
 - prieš patraukdami klūtį;
 - prieš tikrindami, valydami įrenginį arba dirbdami prie jo;
 - kludę pašalinį daiktą;
 - jei įrenginys pradeda neįprastai vibruoti.
- Būkite atsargūs, kad pjovimo priemonėmis nesusižalotumėte kojų ir rankų.
- Visada užtikrinkite kad ventilacijos angose niekada nebūtų apnašų.

TECHNINĖ PRIEŽIŪRA IR LAIKYMAS

- Prieš pradėdami techninės priežiūros arba valymo darbus atjunkite įrenginį nuo maitinimo šaltinio (t. y. ištraukite kištuką iš elektros lizdo arba nuimkite saugos įtaisą).
- Naudokite tik gamintojo rekomenduojamas atsargines dalis ir priedus.
- Įrenginį reguliariai apžiūrėkite ir tvarkykite. Įrenginio remontą patikėkite tik įgaliotam remontininkui.
- Kai nenaudojamas, laikykite įrenginį vaikams nepasiekiamoje vietoje.

KITI SAUGOS ĮSPĖJIMAI

- Venkite pavojingos aplinkos – nenaudokite žoliapjovių drėgnose arba šlapiose vietose.
- Visada, kai paliekate žoliapjovę be priežiūros, ją išjunkite arba išimkite sudėtinės baterijas.
- Nenaudokite lyjant lietuvi.
- Neleiskite artyn vaikų – visi lankytojai turi būti tam tikru atstumu nuo darbo zonos.
- Tinkamai apsirenkite – nedėvėkite laisvų drabužių ir nenešiotkite laisvai kabančių papuošalų. Judamosios dalys gali juos įtraukti. Dirbant lauke rekomenduojama mėvėti gumines pirštines ir avėti tvirtą avalynę. Dėvėkite apsauginį plaukų apdangalą, po kuriuo galima būtų paslėpti ilgus plaukus.
- Dėvėkite apsauginius akinius – jei dirbant kyla daug dulkių, visada užsidėkite kaukę arba respiratorių.

- Naudokite tinkamą įrenginį – nenaudokite įrenginio jokiams darbams, išskyrus numatytąjį.
- Neperkraukite žoliapjovės – ji atliks darbą geriau ir kils mažesnė pavojaus susižaloti tikimybė, kuri atitiks projekto koncepciją.
- Nepraraskite pusiausvyros – visada tvirtai stovėkite ant kojų ir išlaikykite pusiausvyrą.
- Būkite budrūs – stebėkite, ką darote. Vadovaukitės sveika nuovoka. Nedirbkite su žoliapjove, kai esate pavargę.
- Nedirbkite su žoliapjove, jei esate apsvaigę nuo alkoholio arba vaistų.
- Naudokite uždėtas techniškai tvarkingas saugos priemones.
- Laikykite žoliapjovę patalpoje – kai žoliapjovė nenaudojama, laikykite ją su nuimta sudėtine baterija patalpose, sausoje ir aukštoje arba užrakintoje vietoje, taip pat vaikams nepasiekiamoje vietoje.
- Žoliapjovės techninės priežiūros darbus atlikite atsargiai – pjovimo įtaisas turi būti švarus, kad žoliapjovė efektyviai pjautų ir būtų išvengta sužalojimų. Laikykites nurodymų dėl priedų keitimo. Pasirūpinkite, kad rankenos būtų sausas, švarios ir nesuteptos alyva arba tepalu.
- Patikrinkite pažeistas dalis – prieš tolesnį žoliapjovės naudojimą, reikia atidžiai patikrinti, ar nepažeistos apsaugos priemonės ar kitos dalys, siekiant nustatyti, ar jos veiks tinkamai ir atliks savo paskirtį. Patikrinkite, ar judamos dalys suderintos, judamos dalys pritvirtintos, ar nėra dalių, jungčių pažeidimų, be to, ar nėra kitų sąlygų, kurios gali turėti įtakos jos veikimui. Pažeistos apsaugos priemonės ar kitos dalys turėtų būti tinkamai suremontuotos arba pakeistos įgaliotame techninės priežiūros centre, jei šiame vadove nenurodyta kitaip.
- Prieš kiekvieną naudojimą išvalykite pjaunamą plotą. Pašalinkite viską, pavyzdžiui, akmenis, stiklo duženas, vinis, vielas arba virves, t. y. objektus, kurie pjovimo įtaiso gali būti sviesti į šoną arba jame įsipainioti. Užtikrinkite, kad kiti žmonės ir augintiniai būtų ne mažesniu nei 15m atstumu.
- Prieš naudodami įrenginį ir po bet kokio smūgio patikrinkite, ar nėra susidėvėjimo ar pažeidimo požymių ir, jei reikia, jį suremontuokite.
- Visada tvirtai laikykite žoliapjovę abiem rankomis už rankenų, kai ji veikia. Sugniaužkite pirštus ir nykščius aplink rankenas.
- Saugokitės atsitiktinio paleidimo – draudžiama nešioti žoliapjovę su pirštu ant gaiduko.
- Nenaudokite greta degalų arba sprogių aplinkoje. Šių įrenginių varikliai paprastai kibirkščiuoja, o kibirkštys gali uždegti garus.
- Nelleskite judančių pavojaingų dalių neišjungę įrenginio (ar neišėmę akumulatoriaus bloko iš įrenginio) ir nepalaukę, kol judančios pavojaingos dalys visiškai sustos.
- Žoliapjovės pažeidimas – jei žoliapjovė atsitrenkia į pašalinį objektą arba jis joje įsipainioja, nedelsdami išjunkite įrenginį, išimkite iš žoliapjovės sudėtinę bateriją, patikrinkite, ar kas nors nepažeista (bet kokie pažeidimai prieš tolesnį darbą turi būti suremontuoti). Nedirbkite su pažeista apsaugos priemone ar rite.
- Jei įrenginys pradeda neįprastai vibruoti, nedelsdami išjunkite variklį, išimkite iš žoliapjovės sudėtinę bateriją ir nustatykite priežastį. Vibracija paprastai įspėja apie problemą. Palaida galvutė gali vibruoti, įskilti, lūžti arba nukristi nuo žoliapjovės, todėl gali sukelti sunkių arba mirtinų sužalojimų. Įsitinkite, kad pjovimo įtaisas yra pritvirtintas tinkamoje padėtyje. Jeigu galvutė atspalaiduoja po to, kai ji pritvirtinama toje padėtyje, ją iš karto pakeiskite. Niekada nenaudokite žoliapjovės su palaidu pjovimo įtaisu.
- Nedelsdami pakeiskite pjovimo galvutę, jei ji įtrūkusi, pažeista arba susidėvėjusi, net jei tai tik paviršiniai įtrūkimai. Tokie priedai sukdamiesi dideliu greičiu gali subyrėti ir sukelti sunkių arba mirtinų sužalojimų.
- Tikrinkite pjovimo įtaisą reguliariais trumpais intervalais darbo metu arba tuoj pat, jei yra pastebimas pjovimo pobūdžio pokytis.
- Naudokite tik EGO™ patvirtintą polimerinį pjovimo valą ir žoliapjovių pjovimo valą, skirtus naudoti su šiais įrankiais. Nors EGO™ žoliapjovėi gali tikti ir kai kurie nepatvirtinti priedai, jų naudojimas kelia didelį pavojų ir (arba) gali sugadinti įrenginį.
- Siekdami sumažinti sužalojimų pavojų, niekada nenaudokite vielos arba metalu armuoto pjovimo valo ar kitų medžiagų vietoje nailoninio pjovimo valo. Viena gali nutrūkti ir dideliu greičiu būti sviedžiama į naudotoją arba pašalinius asmenis.
- Siekdami sumažinti sužalojimų pavojų dėl kontrolės praradimo, niekada nedirbkite stovėdami ant kopėčių arba kito nestabilaus pagrindo. Niekada nelaikykite pjovimo prietaiso virš juosmens.
- Susidarius šioje instrukcijoje neaprašyti situacijai, būkite atsargūs ir vadovaukitės sveika nuovoka. Pagalbos kreipkitės į EGO aptarnavimo centrą.
- Nekraukite sudėtinės baterijos lietuje arba esant drėgnoms sąlygoms.
- Naudokite tik toliau nurodytas sudėtines baterijas ir įkroviklius:

BATERIJA	ĮKROVIKLIS
BA1120E, BA2240E, BA2800, BA3360, BA4200	CH5500E, CH2100E

- Prieš atiduodant įrenginį į metalo laują, būtina išimti akumuliatorių.
- Akumuliatorių reikia išmesti saugiai.
- Nemeskite baterijos į ugnį. Elementai gali sprogti. Susipažinkite su vietoje galiojančiais teisės aktais, kuriuose gali būti pateikti specialūs šalinimo nurodymai.
- Draudžiama atidaryti arba gadinti bateriją. Išbėgęs elektrolitas sukelia koroziją ir gali pakenkti akims ar odai. Jis gali būti toksiškas prarijus.
- Siekdami išvengti trumpojo jungimo atsargiai elkitės su žoliapjovės baterijomis: venkite tokių laidininkų, kaip žiedai, apyrankės ir raktai. Baterija arba laidininkas gali įkaisti ir sukelti nudegimus.
- Atlikdami techninės priežiūros darbus, naudokite tik originalias EGO™ atsargines dalis. Bet kokio kito priedo arba prietaiso naudojimas kelia sužalojimo riziką.
- Baterijų nereikia įjungti į elektros lizdą; jos visada yra darbinės būsenos. Net įrenginiui neveikiant neužmirškite apie jo keliamus pavojus. Atlikdami remonto arba techninės priežiūros darbus, būkite atidūs.
- Neplaukite žoliapjovės su vandens žarna. Saugokite, kad vandens nepatektų ant variklio ir elektros jungčių.
- Išsaugokite šias instrukcijas. Dažnai jas pavartykite ir naudokitės jomis mokydami kitus asmenis, kurie gali naudoti šį prietaisą. Skolindami šį prietaisą kam nors kitam, taip pat paskolinkite ir šias instrukcijas, kad būtų išvengta netinkamo produkto naudojimo arba galimo susižeidimo.
- Dirbdami su įrenginiu, visada avėkite tvirtą avalynę ir mūvėkite ilgus kelnes.
- Dirbdami nuokalnėse judėkite įprastu žingsniu, niekada nebėkite.

IŠSAUGOKITE ŠIAS INSTRUKCIJAS!

TECHINIAI DUOMENYS

Įtampa	56 V ---
Sūčiai be apkrovos	5200-6500 /min
Pjovimo mechanizmas	Pjovimo galvutė
Pjovimo valo tipas	AL0802 2.0mm Nailono Twist linijos
Pjovimo plotis	33 cm
Svoris (be sudėtinės baterijos)	2,76 kg
Išmatuotas garso galios lygis L_{WA}	89,25 dB(A) K=2,5 dB(A)
Maksimalus garso slėgio lygis ties operatoriaus ausimi L_{PA}	75,2 dB(A) K=2,5 dB(A)

Garantuojamas garso galios lygis L_{WA} (išmatuotas pagal 2000/14/EB)		93 dB(A)
Vibracija a_h	Priekinė pagalbinė rankena	2,134 m/s^2 K=1,5 m/s^2
	Galinė rankena	1,231 m/s^2 K=1,5 m/s^2

- Nurodyta bendroji vibracijos vertė išmatuota taikant standartinį bandymo metodą, todėl pagal ją galima palyginti skirtingus įrenginius.
- Nurodytą bendrąją vibracijos vertę taip pat galima naudoti pirminiam poveikio vertinimui.

PASTABA: Naudojant įrenginį realiomis sąlygomis, skleidžiamos vibracijos stiprumo vertė gali skirtis nuo nurodytos. Kad apsaugotų dirbdamas realiomis sąlygomis, naudotojas turi mūvėti pirštines ir naudoti ausų apsaugos priemones.

PAKUOTĖS TURINIO SĄRAŠAS

DALIES PAVADINIMAS	SKAIČIUS
Žoliapjovė	1
Apsaugos priemonė	1
Priekinės pagalbinės rankenos blokas	1
Šėšiakampis raktas	1
Naudojimo instrukcija	1

APRAŠAS

SUŽINOKITE, KAIP VEIKIA ŽOLIAPJOVĖ (A pav.)

1. Gaidukas
2. Galinė rankena
3. Fiksavimo svirtis
4. Greičio reguliavimo jungiklis
5. Minkšta mova
6. Reguluojama priekinė pagalbinė rankena
7. Pjovimo galvutė
8. Atlaisvinimo mygtukas
9. Valo nukirtimo peilis
10. Apsaugos priemonė
11. Išstūmimo mechanizmas
12. Elektros kontaktai
13. Fiksatorius
14. Akumuliatoriaus atlaisvinimo mygtukas

SURINKIMAS

⚠️ ĮSPĖJIMAS: jeigu bet kuri dalis yra sugadinta arba jos trūksta, nenaudokite šio įrenginio, kol ji nebus pakeista. Jeigu įrenginys naudojamas, kai dalys yra sugadintos arba jų trūksta, galima sunkiai susižaloti.

⚠️ ĮSPĖJIMAS: nebandykite keisti šio įrenginio arba kurti priedus, kurių nerekomenduojama naudoti su šia žoliapjove. Bet koks pakeitimas arba modifikavimas yra laikomas netinkamu naudojimu, dėl kurio gali susidaryti pavojingos sąlygos, kurių metu galite sunkiai susižaloti.

⚠️ ĮSPĖJIMAS: Norėdami išvengti atsitiktinio paleidimo, kuris gali lemti sunkų sužalojimą, visada išimkite sudėtinę bateriją šį įrenginio, kai montuojate dalis.

APSAUGOS PRIEMONĖS MONTAVIMAS

⚠️ SPĖJIMAS: montuodami arba keisdami apsaugos priemonę, visada mūvėkite pirštines. Atidžiai elkitės su ant apsaugos esančiu peiliu ir saugokite rankas nuo įpjovimo.

⚠️ SPĖJIMAS: niekada nenaudokite įrenginio, kai jo apsaugos priemonė nėra tvirtai užfiksuota tinkamoje padėtyje. Apsaugos priemonė visada turi būti ant įrenginio ir saugoti naudotoją! Po to, kai apsaugos priemonė įtvirtinama, niekada nesistenkite jos nuimti arba sureguliuoti. Jeigu ją reikia pakeisti, tai turi atlikti kvalifikuotas techninės priežiūros specialistas!

Atlaisvinkite ir nuimkite du varžtus nuo veleno pagrindo (B pav.). Sulyginkite apsaugos priemonės tvirtinimo skyles su bloko skylėmis, tada pritvirtinkite apsaugos priemonę ant veleno pagrindo dviem varžtais. Įsitikinkite, kad apsaugos priemonė pritvirtinta pagal B & C pav., nes dėl bet kokio pritvirtinimo atvirkščiai kils didelis pavojus!

PRIEKINĖS PAGALBINĖS RANKENOS MONTAVIMAS IR REGULIAVIMAS

Užstumkite priekinę pagalbinę rankeną ant veleno (E pav.), tada į rankenos lizdą (F pav.) įstatykite fiksavimo kaladėlę, uždėkite fiksavimo kaištį ir užfiksuokite juos sparnuotąja veržle (G pav.). Darbo tvarka parodyta D pav. Galiausiai sureguliuokite priekinės pagalbinės rankenos padėjtį taip, kad jūsų priekyje laikoma ranka naudojant žoliapjovę būtų ištiesta (H pav.), o tada užrakinkite fiksavimo kaiščio svirtį (I pav.).

Toliau pateiktas D ir H pav. parodytų dalių aprašas:

D-1	Předná pomocná rukovát'	D-4	Křídlová matica
D-2	Poistná páčka	H-1	Mäkké puzdro
D-3	Upínací Blok	H-2	Varovný štítok

PASTABA: Priekinė pagalbinė rankena turi būti pasukta į viršų, kad būtų nukreipta į rankenos viršų.

⚠️ ĮSPĖJIMAS: Priekinę pagalbinę rankeną ant veleno tvirtinkite tik priešais minkštą movą.

⚠️ ĮSPĖJIMAS: Šis įrenginys negali būti naudojamas, jei priekinė pagalbinė rankena nėra patikimai pritvirtinta.

NAUDOJIMAS

⚠️ ĮSPĖJIMAS: mokėjimas naudotis įrenginiu nesuteikia teisės dirbti nerūpestingai. Atsiminkite, kad trumpam atitraukę dėmesį galite sunkiai susižaloti.

⚠️ ĮSPĖJIMAS: visada dėvėkite apsauginius akinius su šoniniais skydeliais. Taip pat dėvėkite ausų apsaugą. Nesilaikant šio nurodymo, objektai gali būti sviedžiami jums į akis arba galite būti kitaip sunkiai sužaloti.

⚠️ ĮSPĖJIMAS: nenaudokite bet kokių priedų arba įtaisų, kurių nerekomendavo šio įrenginio gamintojas. Naudodami nerekomenduojamus priedus arba įtaisus galite sunkiai susižaloti.

⚠️ ĮSPĖJIMAS: žoliapjovę su tinkamu pjovimo valu naudokite tik žolės arba panašių augalų pjovimui.

Galite naudoti šį įrenginį toliau išvardytais tikslais:

Apkarpymas: naudojamas pašalinti žolėms ir piktžolėms prie sienų, tvorų, medžių ir bortelių.

Pjovimas: naudojamas žolės pjovimui vietose, kurias sunku pasiekti naudojant įprastą vejąpovę.

PASTABA: Šį įrenginį reikia naudoti tik pagal nurodytą paskirtį. Naudojimas bet koku kitu tikslu, pvz., pakraščių apkarpymui, laikomas netinkamu naudojimu.

SUDĖTINĖS BATERIJOS ĮSTATYMAS / IŠĖMIMAS

Prieš naudodami pirmą kartą, visiškai įkraukite.

Įstatant

Sulyginkite baterijos braiuneles su įleidimo grioveliais ir paspauskite sudėtinę bateriją žemyn, kol išgirsite trakstelėjimą. (J pav.)

Išimant

Paspauskite baterijos išėmimo mygtuką ir išimkite sudėtinę bateriją. (K pav.).

ŽOLIAPJOVĖS LAIKYMAS

⚠️ ĮSPĖJIMAS: siekdami sumažinti susižalojimo riziką įrenginio naudojimo metu, tinkamai apsirenkite. Nedėvėkite laisvų drabužių ir nenešiotkite laisvai kabančių papuošalų. Dėvėkite akių ir ausų apsaugas. Mūvėkite tvirtos medžiagos, ilgas kelnes, batus ir pirštines. Nedėvėkite trumpų kelnii, sandalų bei nedirbkite basomis.

Prieš naudojimą suimkite žoliapjovę abiem rankomis, t. y. viena ranka už galinės rankenos, o kita ranka, kuri turėtų būti ištiesta, už priekinės pagalbinės rankenos (L pav.). Įsitinkite, kad stovite tvirtai, taip pat tinkamas pjovimo atstumas, kai operatorius nėra pasilenkęs.

ŽOLIAPJOVĖS PALEIDIMAS / STABDYMAS

Paleidžiant

Nuspauskite fiksavimo svirtį ir laikykite ją toje padėtyje. Kad paleistumėte žoliapjovę, nuspauskite gaiduką (M pav.).

Stabant

Atleiskite fiksavimo svirtį ir gaiduką.

PASTABA: Variklis gali veikti dviem greičiais pjovimo, „1“ padėtyje veikia mažesniu greičiu, o „2“ – dideliu greičiu (M pav.). Tiesiog pjovimo metu pastumkite greičio reguliavimo jungiklį į tinkamą padėtį.

Toliau pateiktas M pav. parodytų dalių aprašas.

M-1	1 padėtis
M-2	2 padėtis

⚠️ ĮSPĖJIMAS: darydami pertraukas arba baigę darbą, visada išimkite sudėtinę bateriją iš žoliapjovės.

ŽOLIAPJOVĖS NAUDOJIMAS

⚠️ ĮSPĖJIMAS: siekdami išvengti sunkaus susižalojimo, dirbdami su įrenginiu visada dėvėkite apsauginius akinius. Dirbdami dulkoje aplinkoje, dėvėkite visą veidą dengiančią kaukę arba respiratorių.

Prieš kiekvieną naudojimą išvalykite pjaunamą plotą. Pašalinkite viską, pavyzdžiui, akmenis, stiklo duženas, vinis, vielas arba laidus, t. y. objektus, kurie pjovimo įtaiso gali būti sviesti į šoną arba jame įsipainioti. Užtikrinkite, kad darbo zonoje nebūtų vaikų, pašalinių asmenų bei naminių gyvūnų. Vaikai, pašaliniai asmenys bei naminiai gyvūnai turi būti nutolę ne mažesniu kaip 15m atstumu; net ir laikantis šio atstumo, žoliapjovės sviedžiamų objektų pavojus pašaliniams asmenims išlieka. Šalia esantys asmenys turėtų dėvėti akių apsaugą. Jeigu matote jūsų link artėjantį asmenį, nedelsdami išjunkite įrenginį.

Prieš kiekvieną naudojimą patikrinkite, ar nėra sugadintų arba susidėvėjusių dalių

Apžiūrėkite pjovimo galvutę, apsaugos priemonę ir priekinę pagalbinę rankeną. Pakeiskite sutrukinėjusias, pakeitusias formą, sulinkusias arba bet kaip kitaip pažeistas dalis.

Valo nukirtimo peilis, esantis apsaugos pakraštėje, laikui bėgant gali atšipti. Rekomenduojama reguliariai galąsti jį dilde arba pakeisti nauju.

⚠️ ĮSPĖJIMAS: montuodami apsaugą, galąsdami arba keisdami peilį, visada mūvėkite pirštines. Atidžiai elkitės su ant apsaugos esančiu peiliu ir saugokite rankas nuo įjovimo.

Po kiekvieno naudojimo žoliapjovę išvalykite.

⚠️ PERSPĖJIMAS: angose susikaupę likučiai neleidžia orui tekėti į variklio korpusą, dėl to variklis gali perkaisti arba sugesti.

- Įrenginį valykite tik švelniu valikliu ir drėgna šluoste. Niekada neleiskite jokiam skysčiui patekti į įrenginio vidų; niekada nenardinkite jokios įrenginio dalies į skystį.
- Visada užtikrinkite, kad variklio ventiliacinėse angose ir veleno nebūtų žolės likučių

⚠️ ĮSPĖJIMAS: niekada žoliapjovės valymui nenaudokite vandens. Valydami plastines dalis nenaudokite tirpiklių. Įvairūs komerciniai tirpikliai ardo daugelį plastikų. Norėdami nuvalyti purvą, dulkes, tepalus, nebalus ir pan., naudokite švarias šluostes.

PJOVIMO VALO ILGIO REGULAVIMAS

Pjovimo galvutė leidžia naudotojui pailginti pjovimo valą neišjungiant variklio. Pjovimo valui susidėvėjus, papildomas valas gali būti ištrauktas lengvai bakstelint atlaisvinimo mygtuku į žemės paviršių žoliapjovės veikimo metu (žr. N pav.).

PASTABA: Kuo pjovimo valas trumpesnis, tuo sudėtingesnis taps valo pailginimas.

⚠️ ĮSPĖJIMAS: neišimkite ir nekeiskite pjovimo valo nukirtimo peilio konstrukcijos. Per didelio ilgio pjovimo valas gali sukelti variklio perkaitimą ir sunkaus susižalojimo pavojų.

VALO KEITIMAS

⚠️ ĮSPĖJIMAS: niekada nenaudokite metalu armuoto valo, vielos, virvės ar pan. Jie gali nutrūkti ir būti pavojingai išsviesti.

Pakeisti pjovimo valą galima dviem būdais:

1. Užvyniojant ant ritės naują valą.
2. Įstatant ritę su iš anksto užvyniotu valu (AS1300, AS1301, AS1302, jei reikia, galima rasti pas prekiautoją).

Užvyniojant ant ritės naują valą

Nuspauskite dvi atkabinimo auseles, esančias ant ritės pagrindo ir išimkite ritės laikiklį (O pav.). Paimkite maždaug 7m naujo pjovimo valo. Sulenkite ir užvyniokite ant ritės, kaip parodyta P & Q pav. Valo galus įstatykite į dvi priešingose ritės pusėse esančias išpjovas (V pav.), sulyginę ritės išpjovas, iš kurių yra išsikišę valo galai, su ritės laikiklio angomis, įstatykite ritę į laikiklį (T pav.). Galiausiai sulyginkite laikiklio lizdus su Rant ritės pagrindo esančiomis auselėmis ir paspauskite laikiklį tolygiai žemyn užtikrindami, kad jis užsifiksuotų (S pav.).

PASTABA: Prieš sumontuodami pjovimo galvutę visada nuvalykite ritę, ritės laikiklį ir ritės pagrindą. Patikrinkite, ar ritė, ritės laikiklis ir ritės pagrindas nesusidėvėję. Jei reikia, pakeiskite nusidėvėjusias dalis.

PASTABA: jeigu valą užvyniosite netinkama kryptimi, žoliapjovės galvutė veiks netinkamai.

Įstatant ritę su iš anksto užvyniotu valu

Nuspauskite dvi atkabinimo auseles, esančias ant ritės pagrindo ir išimkite ritės laikiklį (O pav.). Tada į ritės laikiklį įstatykite ritę su iš anksto užvyniotu valu, sulyginę ritės išpjovas su ritės laikiklio angomis (T pav.) Galiausiai sulyginkite laikiklio lizdus su ant ritės pagrindo esančiomis auselėmis ir paspauskite laikiklį tolygiai žemyn užtikrindami, kad jis užsifiksuotų (S pav.).

Toliau pateiktas S & T pav. parodytų dalių aprašas:

S-1	Auselė	T-1	Išpjova
S-2	Lizdas	T-2	Anga

PASTABA: įsitinkinkite, kad ritės pagrindo auselės įsistatė į vietą ir kad ritė nenukris veikimo metu.

TECHNINĖ PRIEŽIŪRA

⚠️ ĮSPĖJIMAS: Atlikdami techninės priežiūros darbus, naudokite tik identišką atsargines dalis. Įrenginį reguliariai apžiūrėkite ir tvarkykite. Norint užtikrinti saugų ir patikimą gaminio naudojimą visus remonto darbus turi atlikti kvalifikuotas techninės priežiūros specialistas.

⚠️ ĮSPĖJIMAS: Baterijų nereikia įjungti į elektros lizdą; jos visada yra darbinės būsenos. Norėdami išvengti rimtų sužalojimų, imkitės papildomų atsargumo priemonių ir būkite atidūs atlikdami techninę priežiūrą, aptarnavimą arba keisdami pjovimo įtaisą ar kitus priedus.

⚠️ ĮSPĖJIMAS: kad išvengtumėte rimto susižalojimo, prieš atlikdami techninę priežiūrą, valydami žoliapjovę, keisdami priedus arba valydami žolės likučius, iš įrenginio išimkite sudėtinę baterijas.

ĮRENGINIO VALYMAS

- Įrenginį valykite silpnu plovikliu suvilgyta šluoste.
- Nenaudokite jokių stiprių ploviklių plastikinių korpuso arba rankenos dalių valymui. Aromatinės alyvos (pušies arba citrinų kvapo) ir tirpikliai , pvz., žibalas, gali jas sugadinti. Drėgmė taip pat gali kelti elektros smūgio pavojų. Bet kokią drėgmę nuvalykite minkšta sausa šluoste.
- Naudokite mažą šepetėlį arba mažą dulkių siurblio šepetėlį, kad išvalytumėte variklio korpuso ventiliacines angas.

ĮRENGINIO SANDĖLIAVIMAS

- Kai žoliapjovės nenaudojate, išimkite iš jos sudėtinę bateriją.
- Prieš sandėliavimą kruopščiai nuvalykite įrenginį.
- Įrenginį sandėliuokite sausoje, gerai vėdinamoje, rakinamoje patalpoje arba aukštai, vaikams nepasiekiamoje vietoje. Nelaikykite įrenginio ant arba šalia trąšų, benzino arba kitų chemikalų.

Aplinkos apsauga

Neišmeskite elektros įrangos, akumuliatoriaus įkroviklio ir baterijų / akumuliatorių su buitiniemis atliekomis!

Pagal Europos Parlamento ir Tarybos direktyvas 2012/19/EB ir 2006/66/EB nenaudojama elektros bei elektronikos įranga ir nenaudojami arba sugedę akumuliatoriai ir (arba) baterijos turi būti surenkami atskirai.

Elektros prietaisus užkasus su atliekomis arba išmetus sąvartynuose, pavojingos medžiagos gali patekti į gruntinį vandenį ir į maisto grandinę, taip pakenkti jūsų sveikatai ir gerovei.

EB ATITIKTIES DEKLARACIJA

Mes, CHERVON EUROPE LTD.

47 CASTLE STREET, READING, RG1 7SR, UNITED KINGDOM

pareiškiamo, kad gaminytis – **akumuliatorinė žoliapjovė ST1300E su 56 V ličio jonų akumuliatoriumi** – atitinka esminius sveikatos ir saugos reikalavimus, išdėstytus šiose direktyvose:

2006/42/EB, 2014/30/ES, 2011/65/ES, 2000/14/EB

Standartai ir techninės specifikacijos, kuriais remiamasi:

EN 60335-1, EN 50636-2-91, EN ISO 11806-1, EN ISO 12100, EN 62233, EN 55014-1, EN 55014-2

Išmatuotas garso galios lygis: 89,25dB(A).

Garantuojamas garso galios lygis: 93dB(A).

Peter Melrose
„Chervon Europe“ viceprezidentas

Dong Jianxun
„Chervon“ kokybės vadovas

* (CHERVON įgaliotasis atstovas ir už techninę dokumentaciją atsakingas asmuo)

01/04/2016

TRIKČIŲ DIAGNOSTIKA IR JŲ ŠALINIMAS

PROBLEMA	PRIEŽASTIS	SPRENDIMAS
Žoliapjovės nepavyksta paleisti.	<ul style="list-style-type: none"> ■ Sudėtinė baterija neprijungta prie žoliapjovės. ■ Nėra elektros kontakto tarp žoliapjovės ir baterijos. ■ Sudėtinė baterija visiškai išsikrovusi. ■ Nenuspausta fiksavimo svirtis ir gaidukas. 	<ul style="list-style-type: none"> ■ Prijunkite sudėtinę bateriją akumuliatorių prie vejjapjovės. ■ Išimkite sudėtinę bateriją, patikrinkite kontaktus ir vėl įstatykite sudėtinę bateriją. ■ Įkraukite akumuliatorių. ■ Kad įjungtumėte žoliapjovę, nuspauskite fiksavimo svirtį ir ją laikykite, o tada nuspauskite gaiduką.
Žoliapjovė sustoja darbo metu.	<ul style="list-style-type: none"> ■ Nesumontuota žoliapjovės apsaugos priemonė, todėl per ilgą pjovimo valas perkrauna variklį. ■ Naudojamas per tvirtas pjovimo valas. ■ Ant variklio veleno arba žoliapjovės galvutės apsvyniojusi žolė. ■ Perkrautas variklis. ■ Sudėtinė baterija arba žoliapjovė yra per daug įkaitusios. ■ Sudėtinė baterija yra atjungta nuo įrenginio. ■ Sudėtinė baterija visiškai išsikrovusi. 	<ul style="list-style-type: none"> ■ Išimkite sudėtinę bateriją ir sumontuokite žoliapjovės apsaugos priemonę. ■ Naudokite tik 2,0mm skersmens arba plonesnį nailoninį pjovimo valą. ■ Sustabdykite žoliapjovę, išimkite sudėtinę bateriją, tada pašalinkite žolę nuo variklio veleno arba žoliapjovės galvutės. ■ Pašalinkite žolę nuo žoliapjovės galvutės. Kai tik bus pašalinta apkrova, variklis pradės veikti kaip įprasta. Pjaudami judinkite pjovimo galvutę link ir nuo pjaunamos žolės, bei vienu kartu nenujaukite daugiau kaip 20cm. ■ Leiskite sudėtingei baterijai arba žoliapjovei atvėsti, iki temperatūra nukris žemiau 67°C. ■ Vėl įstatykite akumuliatorių. ■ Įkraukite sudėtinę bateriją.

PROBLEMA	PRIEŽASTIS	SPRENDIMAS
Žoliapjovės galvutė nepaduoda pjovimo valo.	<ul style="list-style-type: none"> ■ Ant variklio veleno arba žoliapjovės galvutės apsvinijusi žolė. ■ Nepakanka pjovimo valo ritėje. ■ Purvina žoliapjovės galvutė. ■ Pjovimo valas susipainiojo ant ritės. ■ Pjovimo valas per trumpas. 	<ul style="list-style-type: none"> ■ Sustabdykite žoliapjovę, išimkite sudėtinę bateriją, tada pašalinkite žolę nuo variklio veleno arba žoliapjovės galvutės. ■ Išimkite sudėtinę bateriją ir pakeiskite pjovimo valą; vadovaukitės šio vadovo skyriumi „VALO KEITIMAS“. ■ Išimkite sudėtinę bateriją ir išvalykite ritę, ritės laikiklį ir ritės pagrindą. ■ Išimkite sudėtinę bateriją, nuvyniokite pjovimo valą ir iš naujo jį užvyniokite; vadovaukitės šio vadovo skyriumi „VALO KEITIMAS“. ■ Išimkite sudėtinę bateriją ir patraukite pjovimo valo galus į priešingas puses spausdami ir atleisdami pjovimo valo atleidimo mygtuką.
Žolė apsvinijia aplink žoliapjovės galvutę ir variklio korpusą.	<ul style="list-style-type: none"> ■ Aukštą žolę pjaukite palei žemę. 	<ul style="list-style-type: none"> ■ Kad išvengtumėte žolės apsvinijimo Aukštą žolę pjaukite iš viršaus į apačią, vienu kartu nupjaudami ne daugiau kaip 20cm.
Prastai pjauna valas.	<ul style="list-style-type: none"> ■ Atšipo pjovimo valo nukirtimo peilis, esantis ant apsaugos priemonės krašto. 	<ul style="list-style-type: none"> ■ Valo nukirtimo peilį paglaškite dilde arba pakeiskite nauju peiliu.

GARANTIJA

EGO GARANTINIS POLISAS

Norėdami sužinoti visas „EGO“ garantinio poliso sąlygas, apsilankykite interneto svetainėje egopowerplus.com.

IZLASIET VISUS NORĀDĪJUMUS!



PERSKAITYKITE NAUDOJIMO INSTRUKCIJĀ IR ĪSITIKINĀKITE, AR JĀ SUPRATOTE

⚠ Atlikušā sprieguma apdraudējums! Cilvēkiem, kuri izmanto elektroniskas ierīces, piemēram, elektrokardiostimulatorus, pirms šīs ierīces lietošanas jāsazinās ar savu ārstējošo ārstu. Elektroierīču darbība tuvu elektrokardiostimulatoram var izraisīt traucējumus vai tā atteici.

⚠ BRĪDINĀJUMS. Lai garantētu drošību un uzticamību, ierīces remontu un tās detaļu nomaiņu veikt drīkst tikai kvalificēts apkopes tehniķis.

DROŠĪBAS APZĪMĒJUMI

Drošības apzīmējumu nolūks ir pievērst uzmanību iespējamiem apdraudējumiem. Drošības apzīmējumiem un to skaidrojumiem jāpievērš īpaša uzmanība, un tie pilnībā jāizprot. Apzīmējumu brīdinājumi paši par sevi nenovērš apdraudējumu. Apzīmējumus iekļautie norādījumi un brīdinājumi neaizstāj atbilstošus darba drošības pasākumus.

⚠ BRĪDINĀJUMS. Pirms šī darbarīka lietošanas noteikti izlasiet un izprotiet visus šajā lietošanas rokasgrāmatā iekļautos norādījumus, tostarp visus drošības brīdinājumu apzīmējumus, piemēram, „**BĪSTAMI**”, „**BRĪDINĀJUMS**” un „**UZMANĪBU!**”. Neievērojot tālāk uzskaitītos norādījumus, var rasties elektrotrauma, aizdegšanās un/vai smaga trauma.

APZĪMĒJUMA NOZĪME

DROŠĪBAS BRĪDINĀJUMA APZĪMĒJUMS: Atbilst norādei **BĪSTAMI**, **BRĪDINĀJUMS** vai **UZMANĪBU!** Var tikt izmantots kopā ar citiem apzīmējumiem un piktogrammām.



⚠ BRĪDINĀJUMS. Mehānizēto darbarīku lietošanas laikā acis var iekļūt svešķermeņi, kas savukārt var radīt smagu acu traumu. Pirms mehānizētā darbarīka izmantošanas vienmēr uzlieciet aizsargbrilles vai aizsargbrilles ar sānu aizsargiem un pilnu sejas aizsargu (ja nepieciešams). Uz parastajām brillēm vai standarta aizsargbrillēm ar sānu aizsargiem ieteicams uzlikt plata skata leņķa drošības masku.

DROŠĪBAS NORĀDĪJUMI

Šajā lappusē ir parādīti un aprakstīti drošības apzīmējumi, kas var atrasties uz izstrādājuma. Pirms ierīces salikšanas un lietošanas izlasiet, izprotiet un izpildiet visus norādījumus.

	Drošības brīdinājums	Piesardzības pasākumi, kas ietver jūsu drošību.
	Izlasiet lietošanas rokasgrāmatu	Lai mazinātu traumu rašanās bīstamību, pirms šī izstrādājuma lietošanas tā lietotājam jāizlasa un jāizprot lietošanas rokasgrāmatā.
	Izmantojiet acu aizsarglīdzekļus	Lietojot šo izstrādājumu, vienmēr izmantojiet aizsargbrilles vai aizsargbrilles ar sānu aizsargiem un pilnu sejas aizsargu.
	Izmantojiet dzirdes aizsarglīdzekļus	Lietojot šo izstrādājumu, vienmēr izmantojiet dzirdes aizsarglīdzekļus.
	Auklas diametrs	Neilona griešanas auklas diametrs
	Griešanas platums	Maksimālais auklas trimera griešanas platums
	Bez griešanas asmens	Neinstalējiet metāla vai plastmasas griešanas asmens
	Nepakļaujiet lietus iedarbībai	Nelietojiet ierīci lietū un neatstājiet to ārā lietus laikā.
	Neļaujiet tuvoties nepiederošām personām	Lietojot auklas trimeri, sekojiet, lai citi cilvēki un mājdzīvnieki atrodas vismaz 15m attālumā no ierīces.
	Neļaujiet tuvoties nepiederošām personām	Lietojot auklas trimeri, sekojiet, lai citi cilvēki un mājdzīvnieki atrodas vismaz 15m attālumā no ierīces.
V	Volti	Spriegums
A	Ampēri	Strāva
Hz	Herci	Frekvence (ciklī sekundē)

W	Vati	Jauda
min	Minūtes	Laiks
~	Mainstrāva	Strāvas veids
⋮	Līdzstrāva	Strāvas veids vai raksturlielumi
n_0	Ātrums bez slodzes	Griešanās ātrums bez slodzes
... /min	Minūtē	Apgriezieni minūtē

SVARĪGI DROŠĪBAS NORĀDĪJUMI

▲ BRĪDINĀJUMS. Izmantojot auklas trimerus, vienmēr veiciet pamata piesardzības pasākumus, lai mazinātu aizdegšanās, elektrotraumas, traumu rašanās draudus, un ievērojiet tālāk sniegtās norādes.

RŪPĪGI IZLASIET PIRMS LIETOŠANAS

SAGLABĀJIET TURPMĀKĀM UZZIŅĀM

▲ BĪSTAMI! Elektrotraumas nepieļaušanai nepaļaujieties tikai uz darbarīka izolāciju. Lai mazinātu nāvējošas elektrotraumas draudus, nekādā gadījumā nelietojiet ierīci tādu vadu vai kabeļu tuvumā, kuros varētu plūst strāva.

▲ UZMANĪBU! Lietojot ierīci, izmantojiet piemērotus dzirdes aizsarglīdzekļus. Dažos gadījumos un zināmā laika intervālā šī izstrādājuma radītais troksnis var izraisīt dzirdes zudumu.

APMĀCĪBA

- Rūpīgi izlasiet visus norādījumus. Iepazīstieties ar izstrādājuma vadības elementiem un pareizu ierīces lietošanu.
- Nekādā gadījumā neļaujiet ierīci lietot cilvēkiem, kas nav iepazīnušies ar šiem norādījumiem, kā arī bērniem. Vietējie noteikumi var ierobežot ierīces lietotāja vecumu.
- Ņemiet vērā, ka ierīces lietotājs vai operators ir atbildīgs par negadījumiem vai apdraudējumiem, kas var rasties citiem cilvēkiem vai tpašumam.

SAGATAVOŠANĀS

- Nelietojiet ierīci, ja tuvumā ir cilvēki, it īpaši bērni vai mājdzīvnieki.
- Izmantojot ierīci, vienmēr lietojiet acu aizsarglīdzekļus un izturīgus apavus.
- Attālumam starp iekārtu un tuvumā esošām nepiederošām personām jābūt vismaz 15m.
- Neizmantojiet metāla asmeņus.

LIETOŠANA

- Lietojiet ierīci tikai dienas laikā vai labā maksimālā apgaismojumā.
- Nekādā gadījumā neizmantojiet ierīci ar bojātiem aizsargiem vai pārsegumiem vai bez aizsargiem un pārsegumiem.
- Iedarbiniet motoru tikai tad, ja rokas un kājas neatrodas griežējelementu tuvumā.
- Vienmēr atvienojiet ierīci no barošanas avota (proti, atvienojiet ierīces barošanas kabeli no elektrotīkla vai noņemiet izslēgšanas ietaisi) šādos gadījumos:
 - atstājot ierīci bez uzraudzības;
 - pirms nosprostojuma tīrīšanas;
 - pirms ierīces pārbaudes, tīrīšanas vai apkopes;
 - pēc ierīces sadursmes ar svešķermeni;
 - ja ierīce sāk neparasti vibrēt.
- Nepieļaujiet traumu rašanos, kājām un rokām saskaroties ar griežējelementiem.
- Gādājiet, lai ventilācijas atveres nebūtu grūzu.

APKOPE UN UZGLABĀŠANA

- Pirms ierīces apkopes vai tīrīšanas atvienojiet to no barošanas avota (proti, atvienojiet ierīces barošanas kabeli no elektrotīkla vai noņemiet izslēgšanas ietaisi).
- Izmantojiet tikai ražotāja ieteiktās rezerves daļas un piederumus.
- Regulāri pārbaudiet ierīci un veiciet tās apkopi. Uzticiet ierīces remontēšanu tikai pilnvarotam remonta tehnikam.
- Ja ierīci nelietojat, novietojiet to bērniem neaizsniiedzamā vietā.

CITI DROŠĪBAS BRĪDINĀJUMI

- Izvairieties no bīstamas vides. Nelietojiet trimerus mitrās vietās.
- Ja atstājat auklas trimeri bez uzraudzības, vienmēr izslēdziet to vai izņemiet akumulatora bloku.
- Nelietojiet lietū.
- Neļaujiet tvoties bērniem. Visiem cilvēkiem jāatrodas drošā attālumā no darba vietas.
- Ģērbieties atbilstoši. Nevalkājiet vaļīgas drēbes un rotaslietas. Tās var tikt ierautas kustīgajās daļās. Strādājot ārpus telpām, ieteicams lietot gumijas cimdus un izturīgus apavus. Izmantojiet matu aizsargpasegu, lai saturētu garus matus.
- Lietojiet aizsargbrilles. Strādājot putekļainā vidē, vienmēr izmantojiet sejas vai putekļu masku.
- Lietojiet pareizu darbarīku. Neizmantojiet darbarīku nolūkiem, kuriem tas nav paredzēts.

- Nelietojiet trimeri ar spēku. Darbu varēsiet veikt labāk un ar mazāku traumu rašanās iespējamību, ja lietosiet ierīci darbam paredzētajā tempā.
- Nestiepieties. Vienmēr stāviet stabili un sekojiet līdzsvaram.
- Esiet modrs. Skatieties, ko darāt. Esiet prātīgs. Nelietojiet trimeri, ja esat noguris.
- Nelietojiet trimeri, ja esat alkohola vai medikamentu iespaidā.
- Sekojiet, lai aizsargi atrastos paredzētajās vietās un būtu labā darba stāvoklī.
- Uzglabājiet trimerus telpās. Nelietojot trimeri, tas jāuzglabā telpā — sausā, augstā vai noslēdzamā vietā, pirms tam izņemot akumulatora bloku — bērmiem neaizsniedzamā vietā.
- Veiciet trimera apkopi rūpīgi. Lai panāktu labāko darbospēju un mazinātu traumu rašanās bīstamību, vienmēr turiet griešanas pierīci tīru. Ievērojiet piederumu maiņas norādījumus. Turiet rokturus sausus, tīrus, lai uz tiem nebūtu eļļas un smērvielu.
- Pārbaudiet bojātās daļas. Pirms trimera lietošanas rūpīgi jāpārbauda, vai bojātais aizsargs un citas daļas spēs darboties pareizi un veikt paredzēto uzdevumu. Pārbaudiet kustīgo daļu salāgojumu, daļu iespējamo saskari; pārbaudiet, vai daļas nav salūzušas, pārbaudiet stiprinājumus un jebkādu citu stāvokli, kas var ietekmēt trimera darbību. Bojāts aizsargs vai cita daļa pareizi jāsamontē vai jānomaina pilnvarotā apkopes centrā, ja vien šajā rokasgrāmatā nav norādīts citādi.
- Pirms trimera lietošanas atīriet aprstrādājamo vietu. Savāciet akmeņus, stikla lauskas, naglas, vadus vai auklas, kas var tikt izsviestas vai iekļūt griešanas pierīcē. Raugieties, lai citi cilvēki un mājdzīvnieki atrastos vismaz 15m attālumā.
- Pirms trimera lietošanas un pēc tā sadursmes ar svešķermeņiem pārbaudiet, vai nav nolietotāns vai bojājumu pazīmju, un, ja nepieciešams, veiciet remontu.
- Lietojot trimeri, vienmēr turiet to stingri, ar abām rokām satverot rokturus. Satveriet rokturus plaukstās.
- Izvairieties no nejausās ieslēgšanas. Nepāmēsājiet trimeri, novietojot pirkstu uz pārslēdzēja.
- Nelietojiet trimeri sprādzienbīstamā vidē. Motori šādās ierīcēs parasti rada dzirksteles, kas savukārt var aizdegināt izgarojumus.
- Nepieskariet griezējinstrumenta kustīgajām bīstamajām daļām pirms tas nav izslēgts (vai no griezējinstrumenta nav izņemts akumulators) un kustīgās bīstamās daļas nav pilnībā apstājušās.
- Trimerā bojājums. Ja trimēris saduras ar svešķermeņiem vai iesprūst, nekavējoties apturiet darbarīku, izņemiet akumulatora bloku, pārbaudiet, vai nav radušies bojājumi, novērsiet tos un tikai tad turpiniet ierīces izmantošanu. Nelietojiet trimeri, ja ir bojāts tā aizsargs vai spole.
- Ja trimēris sāk pārmērīgi vibrēt, izslēdziet motoru, izņemiet akumulatora bloku un nekavējoties noskaidrojiet vibrācijas iemeslu. Vibrācija parasti liecina par kļūmi. Nenostiprināta galva var vibrēt, ieplaisāt, salūzt vai atdalīties no trimera, radot smagu vai nāvējošu traumu. Pārlicinieties, ka griešanas pierīce ir nostiprināta pareizi. Ja ierīces galva pēc tās nostiprināšanas kļūst valīga, nekavējoties nomainiet to. Nekādā gadījumā nelietojiet trimeri ar valīgu griešanas pierīci.
- Nekavējoties nomainiet saplaisājušu, bojātu vai nolietoto griešanas galvu pat tad, ja konstatētas tikai nenozīmīgas plaisas. Šādas pierīces var salūzt, griežoties lielā ātrumā, un radīt smagu vai nāvējošu traumu.
- Trimerā lietošanas laikā regulāri pārbaudiet griešanas pierīci vai arī dariet to uzreiz, līdzko konstatējat būtiskas izmaiņas griešanas darbībā.
- Izmantojiet tikai EGO™ apstiprinātus polimēra trimera auklas piederumus un trimera auklu, kas paredzēta lietošanai kopā ar šiem darbarīkiem. Lai gan ir iespējams uzstādīt uz EGO™ auklas trimera neapstiprinātas pierīces, to izmantošana var būt ārkārtīgi bīstama un/vai sabojāt darbarīkus.
- Lai mazinātu traumu rašanās iespējamību, neilona griešanas auklas vietā nekādā gadījumā nelietojiet metāla vai cita materiāla vadu vai stiepli. Vada daļas var nolūzt un tikt izsviestas lielā ātrumā operatora vai tuvumā esošu cilvēku virzienā.
- Lai mazinātu traumu rašanās iespējamību vadības zuduma dēļ, nekādā gadījumā nestrādājiet, stāvot uz trepēm vai uz cita nedroša balsta. Nekad neturiet griešanas pierīci augstāk par ķermeņa vidukli.
- Gadījumos, kas nav aprakstīti šajā rokasgrāmatā, esiet uzmanīgs un rīkojieties prātīgi. Lai saņemtu palīdzību, sazinieties ar EGO apkopes centru.
- Neuzlādējiet akumulatora bloku lietū vai mitrās vietās.
- Izmantojiet tikai tālāk uzskaitītos akumulatora blokus un lādētājus.

AKUMULATORS	LĀDĒTĀJS
BA1120E, BA2240E, BA2800, BA3360, BA4200	CH5500E, CH2100E

- Pirms izmešanas akumulatora bloks jāizņem no ierīces.

- No akumulatora jāatbrīvojas droši.
- Nemetiet akumulatoru ugunī. Akumulatora elementi var uzsprāgt. Īpašus norādījumus par atbilstošu atbrīvošanas no akumulatoriem meklējiet vietējos normatīvos.
- Neatveriet un nebojāiet akumulatoru. Elektrolīts, kas izplūst, ir korozivs un var radīt acu un ādas bojājumus. Norijot var būt toksisks.
- Ritkojieties ar akumulatoriem ļoti uzmanīgi, neveidojiet tīslēgumu ar materiāliem, kas vada elektrību, piemēram, gredzeniem, rokassprādzēm un atslēgām. Akumulators vai vads var pārkarst un radīt apdegumus.
- Veicot apkopi, izmantojiet tikai oriģinālās EGO™ rezerves daļas. Citu piederumu vai pierīču lietošana var palielināt traumu gūšanas iespējamību.
- Akumulatora darbarīkus nav nepieciešams pieslēgt elektrotīklam, tādēļ tie vienmēr ir darbības stāvoklī. Pat, ja darbarīks nedarbojas, vienmēr sargieties no iespējama apdraudējuma. Veicot uzturēšanu vai apkopi, esiet piesardzīgs.
- Nemazgājiet ar šūteni; neieļaujiet ūdens iekļūšanu motorā un elektriskajos savienojumos.
- Saglabājiet šo norādījumus. Regulāri pārskatiet tos un lietojiet, lai iepazīstinātu citus lietotājus, kas arī var izmantot šo darbarīku. Ja kādam aizdodat šo darbarīku, pievienojiet arī šos norādījumus, lai nepieļautu nepareizu darbarīka izmantošanu un traumu rašanos.
- Lietojot trimeri, vienmēr valkājiet izturīgus apavus un garas bikses.
- Stabili stāviet uz nogāzēm; vienmēr ejiet, nekad neskrīniet.

SAGLABĀJIET ŠOS NORĀDĪJUMUS!

SPECIFIKĀCIJAS

Spriegums	56 V ---
Ātrums bez slodzes	5200-6500 /min
Griešanas mehānisms	Piespiežamā galva
Griešanas auklas veids	AL0802 2.0mm Neilona vērpjot līnija
Griešanas platums	33 cm
Svars (bez akumulatora bloka)	2,76 kg
Izmērītais skaņas jaudas līmenis L_{WA}	89,25 dB(A) K=2,5 dB(A)
Maksimālais skaņas spiediena līmenis pie operatora auss L_{PA}	75,2 dB(A) K=2,5 dB(A)

Garantētais skaņas jaudas līmenis L_{WA} (mērīts saskaņā ar 2000/14/EK)		93 dB(A)
Vibrācija a_{hV}	Priekšējais paļīgrokturis	2,134 m/s ² K=1,5 m/s ²
	Aizmugurējais rokturis	1,231 m/s ² K=1,5 m/s ²

- Norādītā kopējā vibrācijas vērtība tika mērīta saskaņā ar parastu mērīšanas paņēmieni; tā var tikt izmantota darbarīku salīdzināšanai.
- Norādīto kopējo vibrācijas vērtību var izmantot arī sākotnējai ietekmes izvērtēšanai.

PIEZĪME: Vibrācijas līmenis mehanizētā darbarīka lietošanas laikā var atšķirties no norādītās vērtības, ar kādu tiek lietots darbarīks. Lai aizsargātu operatoru, jāizmanto cimdi un dzirdes aizsarglīdzekļi.

KOMPLEKTĀCIJA

DALIES PAVADINIMAS	SKAIČIUS
Auklas trimers	1
Aizsargs	1
Priekšējā paļīgroktura mezgls	1
Sešstūru uzgriežņu atslēga	1
Lietošanas rokasgrāmata	1

APRAKSTS

IEPAZĪSTIET AUKLAS TIMMERI (A att.)

1. Pārslēdzējs
2. Aizmugurējais rokturis
3. Bloķēšanas svira
4. Ātruma regulēšanas slēdzis
5. Mīkstā uzmava
6. Regulējams priekšējais rokturis
7. Piespiežamā galva (griešanas galva)
8. Piesitamais izcilnis
9. Auklas nogriešanas asmens
10. Aizsargs
11. Izsviešanas mehānisms
12. Elektriskie kontakti
13. Fiksators
14. Akumulatora atbrīvošanas pogā

MONTĀŽA

⚠ BRĪDINĀJUMS. Ja kāda no daļām trūkst vai ir bojāta, nelietojiet šo izstrādājumu, līdz daļas ir nomainītas. Izmantojot šo izstrādājumu, ja trūkst kāda no daļām vai arī tā ir bojāta, var rasties smagas traumas.

⚠ BRĪDINĀJUMS. Nemēģiniet pārveidot šo izstrādājumu vai pievienot piederumus, kuru izmantošana šajā auklas trimērī nav ieteicama. Jebkādas šādas izmaiņas vai pārveidojumi ir ierīces neatbilstoša lietošana un var izraisīt bīstamu situāciju un smagu traumu.

⚠ BRĪDINĀJUMS. Lai nepieļautu nejaušu darbarīka ieslēgšanos (kas var radīt smagas traumas), saliekot to, vienmēr izņemiet no darbarīka akumulatora bloku.

AIZSARGA UZSTĀDĪŠANA

⚠ BRĪDINĀJUMS. Uzstādot vai nomainot aizsargu, vienmēr valkājiet cimdus. Sargieties no asmens, kas atrodas uz aizsarga, un aizsargājiet rokas pret sagriešanu.

⚠ BRĪDINĀJUMS. Nekādā gadījumā nelietojiet darbarīku, ja aizsargs nav nostiprināts. Aizsargam vienmēr jāatrodas uz darbarīka, lai aizsargātu lietotāju! Pēc aizsarga nostiprināšanas nekad nemēģiniet to noņemt vai regulēt; ja nepieciešama aizsarga nomaiņa, tā jāveic kvalificētam apkopes tehnikim!

No kāta pamatnes izskrūvējiet un izņemiet abas kombinētās galvas skrūves (B att.). Novietojiet aizsarga montāžas caurumus vienā līmenī ar caurumiem pamatnē, pēc tam nofiksējiet aizsargu kāta pamatnē, ieskrūvējot abas skrūves. Pārliecinieties, ka aizsargs ir piestiprināts pareizi tā, kā norādīts B un C attēlos; nepareiza montāža ir ļoti bīstama!

PRIEKŠĒJĀ PALĪGROKTURA UZSTĀDĪŠANA UN REGULĒŠANA

Uzbidiet priekšējo rokturi uz stieņa (E att.), tad roktura atverē ievietojiet stiprinājuma bloku (F att.), uzstādiat fiksācijas stieni un nostipriniet detaļas ar spārnuzgriezni (G att.). Secība ir parādīta D attēlā. Visbeidzot pielāgojiet priekšējā roktura stāvokli, lai jūsu priekšpusē esošā roka, lietojot trimeri, būtu izstiepta (H att.), tad nostipriniet sviru ar fiksācijas stieni (I att.).

D un H attēla detaļu aprakstu skatiet tālāk.

D-1	Priekšējais rokturis	D-4	Spārnuzgrieznis
D-2	Fiksācijas stienis	H-1	Mikstā uzmvava
D-3	Stiprinājuma bloks	H-2	Brīdinājuma plāksnīte

PIEZĪME: Priekšējais rokturim jābūt pagrieztam uz augšu, vērsot to virzienā uz roktura augšdaļu.

⚠ BRĪDINĀJUMS. Nostipriniet priekšējo rokturi tikai stieņa mikstās uzmvavas priekšpusē.

⚠ BRĪDINĀJUMS. Neizmantojiet darbarīku, ja nav droši nostiprināts priekšējais rokturis.

LIETOŠANA

⚠ BRĪDINĀJUMS. Iepazīstot darbu ar šo ierīci, nekļūstiet nolaidīgs. Atcerieties, ka neuzmanība sekundes laikā var radīt smagu traumu.

⚠ BRĪDINĀJUMS. Vienmēr izmantojiet acu aizsarglīdzekļus ar sānu aizsargiem. Kopā ar dzirdes aizsarglīdzekļiem. To nedarot, acīs var tikt iesviesti svešķermeņi, kā arī rasties citas smagas traumas.

⚠ BRĪDINĀJUMS. Nelietojiet pierīces vai piederumus, ko nav ieteicis šī izstrādājuma ražotājs. Izmantojot citas pierīces vai piederumus, var rasties smaga trauma.

⚠ BRĪDINĀJUMS. Lietojiet auklas trimeri, kas aprīkoti ar atbilstošu griešanas auklu, tikai zāles vai tamlīdzīgu materiālu griešanu.

Šo izstrādājumu var lietot tālāk norādītajiem nolūkiem.

Apgrīšana: izmantojiet zāles un nezāļu nogriešanai pie sienām, žogiem, kokiem un apmalēm.

Griešana: lietojiet zāles nogriešanai vietās, kur ir grūti piekļūt ar parasto zāles pļāvēju jeb pļaujmašīnu.

PIEZĪME: Darbarīku drīkst izmantot tikai aprakstītajam nolūkam. Citu veidu lietošana, piemēram, dzīvzogu apgrīšanai, tiks uzskatīta par nepareizu lietošanu.

AKUMULATORU BLOKA PIEVIENOŠANA/NOŅEMŠANA

Pirms akumulatora lietošanas pilnībā uzlādējiet to.

Piestiprināšana

Salāgojiet akumulatora izciļņus ar stiprinājuma rievām un iespiediet akumulatora bloku, līdz atskan klikšķis. (K att.)

Noņemšana

Nospiediet akumulatora atbrīvošanas pogu un izvelciet akumulatoru bloku tā, kā parādīts K attēlā.

AUKLAS TRIMMERA TURĒŠANA

⚠ BRĪDINĀJUMS. Ģērbieties atbilstīgi, lai mazinātu traumu rašanās draudus, lietojot šo darbarīku. Nevalkājiet vaļīgas drēbes un rotaslietas. Izmantojiet acu un dzirdes aizsarglīdzekļus. Valkājiet izturīgas, garas bikses, apavus un cimdus. Nevalkājiet īsas bikses, sandales; neejiet basām kājām.

Pirms darba uzsākšanas satveriet trimmeri ar abām rokām; vienai rokai jāatrodas uz aizmugurējā roktura, savukārt otrai ir jābūt izstieptai un jāatrodas uz priekšējā palīgroktura (L att.). Pēc tam pārbaudiet, vai jums ir labs atbalsts kājām, un izvēlieties atbilstošu pļaušanas attālumu tā, lai varētu strādāt nenoliecoties.

AUKLAS TRIMMERA IEDARBINĀŠANA/ APTURĒŠANA

Iedarbināšana

Nospiediet atbloķēšanas sviru un noturiet to šajā pozīcijā. Lai iedarbinātu auklas trimmeri, nospiediet iedarbināšanas sviru tā, kā norādīts M attēlā.

Apturēšana

Atļaidiet atbloķēšanas sviru un iedarbināšanas slēdzi.

▲ PIEZĪME: Motoram ir divi pļaušanas ātrumi - pozīcija "1" zemākā ātrumam un pozīcija "2" lielākā ātrumam (skat. M att.). Pļaušanas laikā pārslēdziet ātruma regulēšanas slēdzi atbilstošajā pozīcijā.

M att. detaļu aprakstu skatīt zemāk:

M-1	Pozīcija 1
M-2	Pozīcija 2

▲ BRĪDINĀJUMS. Darba pārtraukumos un pēc darba vienmēr izņemiet no auklas trimera akumulatora bloku.

AUKLAS TRIMMERA LIETOŠANA

▲ BRĪDINĀJUMS. Lai nepieļautu smagas traumas rašanos lietojot šo ierīci, vienmēr izmantojiet brilles vai aizsargbrilles. Putekļainā vidē lietojiet sejas vai putekļu masku.

Pirms trimera lietošanas atfriet apstrādājamo vietu. Savāciet akmeņus, stikla lauskas, naglas, vadus vai auklas, kas var tikt izsviestas vai iekļūt griešanas pierīcē. Nepieļaujiet bērnu, citu personu un mājdzīvnieku atrašanos darba vietā. Sekojiet, lai bērni, citas personas un mājdzīvnieki atrastos vismaz 15m attālumā; vēl arvien pastāv apdraudējums, ko rada izsviesti objekti. Sekojiet, lai apkārtējie izmantotu acu aizsarglīdzekļus. Ja strādājot kāds jums tuvojas, nekavējoties apturiet motoru un griešanas pierīci.

Pirms katras trimera lietošanas reizes pārbaudiet, vai nav bojātu un nodilušu daļu

Pārbaudiet ierīces piespiežamo galvu, aizsargu un priekšējo rokturi un nomainiet detaļas, ja tās ir saplaisājušas, savijušās, salocījušās vai bojātas.

Ar laiku auklas griešanas asmens uz aizsarga var kļūt truls. Ieteicams periodiski asināt asmeni ar vīli vai nomainīt to.

▲ BRĪDINĀJUMS. Uzstādot aizsargu, asinot vai nomainot asmeni, vienmēr valkājiet cimdus. Sargieties no asmens, kas atrodas uz aizsarga, un aizsargājiet rokas pret sagriešanu.

Pēc katras trimera lietošanas notīriet to.

▲ UZMANĪBU! Ja ventilācijas atveres būs aizsērējušas, gaiss nevarēs iekļūt motora korpusā un motors pārkarstīs vai tiks bojāts.

■ Darbarīka tīrīšanai izmantojiet tikai maigas ziepes un mitru drānu. Nekādā gadījumā nepieļaujiet šķidruma iekļūšanu darbarīkā; nekad neiegremdējiet šķidrumā nevienu no darbarīka daļām.

■ Turiet motora korpusa un vārpstas ventilācijas atveres tīras no gružiem

▲ BRĪDINĀJUMS: Nekad neizmantojiet ūdeni, lai notīrītu trimmeri. Tīrot plastikāta detaļas, izvairieties no šķīdinātāju lietošanas. Tirdzniecībā iegādājami šķīdinātāji bojā lielāko daļu plastmasas materiālu. Lai notīrītu netīrumus, putekļus, eļļu, smērvielas u.c., izmantojiet tīras drāniņas.

TRIMMERA AUKLAS GARUMA REGULĒŠANA

Trimera piespiežamā galva ļauj operatoram izbīdīt vairāk griešanas auklas, neapturot motoru. Ja aukla sadilst vai nolietojas, nedaudz piesiet izcilni pret zemi trimera lietošanas laikā, var izbīdīt jaunu auklas garumu (skatiet N att.).

▲ PIEZĪME: Trimmera auklai paliekot īsākai, auklas padeve kļūst apgrūtināta.

▲ BRĪDINĀJUMS. Nenoņemiet un nepārveidojiet auklas griešanas asmens mezglu. Pārmērīgi gara aukla izraisīs motora pārkaršanu, un var rasties smaga trauma.

AUKLAS NOMAIŅU

▲ BRĪDINĀJUMS: Nekad neizmantojiet auklu ar metāla pastiprinājumiem, stiepli, virvi u.tml. Šāda veida auklas var salūst un kļūt par bīstamiem, lielā ātrumā izsviestiem objektiem.

Pļaušanas auklas nomaigu iespējams veikt divos veidos:

1. Uztiņot spolē jaunu auklu.
2. Uzstādot spoli ar tajā jau iepriekš uztiņtu auklu (ja nepieciešams, AS1300, AS1301, AS1302 iespējams iegādāties pie izplatītāja).

Uztiniet uz spoles jaunu auklu

Nospiediet abus atlaišanas izvirkzījumus spoles apakšā un izvelciet spoles turētāju (O att.). Paņemiet aptuveni 7m jaunas griešanas auklas. Salokiet un uztiniet to uz spoles kā parādīts P un Q attēlā. Tad izbīdiat auklas galus cauri abiem pretējiem spoles iedobumiem (R att.), ievietojiet spoli tās turētājā un salāgojiet iedobumus ar turētāja actiņām (T att.). Visbeidzot salāgojiet turētāja atveres ar spoles pamatnes izvirkzījumiem un vienmērīgi spiediet turētāju uz leju, līdz tas nofiksējas (S att.).

PIEZĪME: Pirms trimera galvas atkārtotas uzstādīšanas vienmēr notīriet spoles turētāju, spoli un spoles pamatni. Pārbaudiet, vai spoles turētājs, spole un spoles pamatne nav nolietojušies. Ja nepieciešams, nomainiet nolietojušās daļas.

PIEZĪME: Ja aukla netiks uzlīta norādītajā virzienā, trimera galva darbosies nepareizi.

Uzstādiat spoli ar jau iepriekš uzlītu auklu

Nospiediet abus atlaišanas izvirkzījumus spoles apakšā un izvelciet spoles turētāju (O att.). Tad ievietojiet spoli ar jau iepriekš uzlītu auklu turētājā, salāgojot iedobumus ar turētāja actiņām (T att.). Visbeidzot salāgojiet turētāja atveres ar spoles pamatnes izvirkzījumiem un vienmērīgi spiediet turētāju uz leju, līdz tas nofiksējas (S att.).

S un T attēla detaļu aprakstu skatiet tālāk.

S-1	Izvirkzījums	T-1	Iedobums
S-2	Atvere	T-2	Actiņa

PIEZĪME: Pārbaudiet, vai izvirkzījumi spoles pamatnē ir fiksēti, lai spole trimera lietošanas laikā neizkrit.

APKOPE

⚠ BRĪDINĀJUMS. Veicot apkopi, izmantojiet tikai identiskas nomainīgas daļas. Regulāri pārbaudiet ierīci un veiciet tās apkopi. Lai garantētu drošību un uzticamību, ierīci drīkst remontēt tikai kvalificēts apkopes tehniķis.

⚠ BRĪDINĀJUMS. Akumulatora darbarīkus nav nepieciešams pieslēgt elektrolīklam, tādēļ tie vienmēr ir darbības stāvoklī. Lai nepieļautu smagas traumas, uzturēšanas, apkopes vai griešanas pierīci vai citu piederumu maiņas laikā, veiciet papildu piesardzības pasākumus un esiet uzmanīgs.

⚠ BRĪDINĀJUMS. Lai nepieļautu smagas traumas, pirms trimera apkopes, tīrīšanas, papildpierīču maiņas vai zāles izņemšanas izņemiet akumulatora bloku.

IERĪCES TĪRĪŠANA

- Tīriet ierīci ar mitru drānu un maigu mazgāšanas līdzekli.
- Netīriet plastmasas korpusu un rokturi ar kodīgiem tīrīšanas līdzekļiem. Plastmasas daļas var sabojāt ar zināmām aromatizētām eļļām, piemēram, priežu un citrona, un šķīdinātājiem, piemēram, petroleju. Elektrotraumu var radīt arī mitrums. Kārtīgi noslaukiet mitrumu ar mikstu, tīru drānu.
- Ventilācijas atveru tīrīšanai korpusa aizmugurē izmantojiet nelielu suku vai nelielu putekļsūcēja suku ar gaisa izplūdi.

IERĪCES UZGLABĀŠANA

- Ja auklas trimeri neizmantojat, izņemiet no tā akumulatora bloku.
- Pirms uzglabāšanas kārtīgi notīriet darbarīku.
- Uzglabājiet ierīci sausā, labi vēdināmā, aizslēdzamā vai augstā — bērniem nepieejamā — vietā. Neuzglabājiet ierīci blakus mēslojumam, degvielai vai citām ķīmikālijām.

Apkārtējās vides aizsardzība



Neizmetiet elektroierīces, akumulatora lādētājus un baterijas/uzlādējamus akumulatorus mājāsaimniecības atkritumos!

Saskaņā ar Eiropas likumu 2012/19/ES, un 2006/66/EK nolietotais elektriskais un elektroniskais aprīkojums, bojāti vai lietoti akumulatora bloki/baterijas jāsavāc atsevišķi.

Ja elektroierīces tiek izmestas atkritumu poligonos vai izgāztuvēs, gruntsūdenī var iekļūt bīstamas vielas, piesārņojot barības ķēdi, kaitējot veselībai un labsajūtai.

ES PAZIŅOJUMS PAR ATBILSTĪBU

Mēs, CHERVON EUROPE LTD.

47 CASTLE STREET, READING, RG1 7SR, UNITED KINGDOM

paziņojam, ka izstrādājums — **56 voltu litija jonu akumulatora bezvadu auklas trimmeris ST1300E** — atbilst svarīgām šādu direktīvu veselības un drošības prasībām:

2006/42/EK, 2014/30/ES, 2011/65/ES, 2000/14/EK

Atsauces uz šādiem standartiem un tehniskajiem datiem:

EN 60335-1, EN 50636-2-91, EN ISO 11806-1, EN ISO 12100, EN 62233, EN 55014-1, EN 55014-2

Izmērītais skaņas jaudas līmenis: 89,25 dB(A).

Garantētais skaņas jaudas līmenis: 93 dB(A).

Peter Melrose
Chervon Europe viceprezidents

Dong Jianxun
Chervon kvalitātes nodaļas vadītājs

* (pilnvarotais CHERVON pārstāvis un atbildīgais par tehnisko dokumentāciju)

01/04/2016

KĻŪMJU NOVĒRŠANA

PROBLĒMA	CĒĻONIS	RISINĀJUMS
Auklas trimēris neieslēdzas.	<ul style="list-style-type: none"> ■ Trimerī nav uzstādīts akumulatora bloks. ■ Starp trimēri un akumulatoru nav elektriskā savienojuma. ■ Akumulatora bloks ir izlādējies. ■ Vienlaikus nav nospiesta bloķēšanas svira un pārslēdzējs. 	<ul style="list-style-type: none"> ■ Uzstādiēt trimēri akumulatora bloku. ■ Izņemiet akumulatoru, pārbaudiet kontaktus un ievietojiet atpakaļ. ■ Uzlādējiet akumulatora bloku. ■ Nospiediet bloķēšanas sviru un turiet to, tad nospiediet pārslēdzēju, lai ieslēgtu auklas trimēri.
Auklas trimēris apstājas griešanas laikā.	<ul style="list-style-type: none"> ■ Uz trimēra nav uzstādīts aizsargs, kā rezultātā griešanas aukla ir par garu un rodas motora pārslodze. ■ Izmantota smaga griešanas aukla. ■ Motora vārpstu vai trimēra galvu nosprostojusi zāle. ■ Motora pārslodze. ■ Akumulatora bloks vai auklas trimēris ir pārkarsis. ■ Akumulatora bloks ir atvienots no darbarīka. ■ Akumulatora bloks ir izlādējies. 	<ul style="list-style-type: none"> ■ Izņemiet akumulatora bloku un uzstādiēt uz trimēra aizsargu. ■ Izmantojiet tikai 2,0mm vai mazāka diametra neilona griešanas auklu. ■ Apturiet trimēri, izņemiet akumulatoru un izfīriēt zāli no motora vārpstas un trimēra galvas. ■ Paceliet trimēra galvu no zāles. Pēc slodzes noņemšanas motors atsāks darboties, kā paredzēts. Griežot ievirziet trimēra galvu griezamajā zālē, noņemot ne vairāk par 20cm garuma vienā griezumā. ■ Ļaujiet akumulatora blokam vai trimērim atdzist, līdz temperatūra nokrīt zem 67 °C. ■ Uzstādiēt atpakaļ akumulatora bloku. ■ Uzlādējiet akumulatora bloku.
Trimēra galva neizbīda auklu.	<ul style="list-style-type: none"> ■ Motora vārpstu vai trimēra galvu nosprostojusi zāle. ■ Spolē nepietiek auklas. ■ Trimēra galva ir netīra. ■ Aukla spolē ir sapinusies. ■ Aukla ir par īsu. 	<ul style="list-style-type: none"> ■ Apturiet trimēri, izņemiet akumulatoru un izfīriēt zāli no motora vārpstas un trimēra galvas. ■ Izņemiet akumulatoru un nomainiet griešanas auklu; skatiet šīs rokasgrāmatas nodaļu „AUKLAS MAIŅA”. ■ Izņemiet akumulatoru un notīriēt spoli, spoles turētāju un spoles pamatni. ■ Izņemiet akumulatoru, izņemiet no spoles auklu un uztīniet to jauna; skatiet šīs rokasgrāmatas nodaļu „AUKLAS MAIŅA”. ■ Izņemiet bateriju un velciet auklu, vienlaikus nospiežot un atlaižot izcilni.

PROBLĒMA	CĒLONIS	RISINĀJUMS
Ap trimera galvu un motora korpusu ir aptinusies zāle.	<ul style="list-style-type: none"> Garas zāles griešana zemes līmenī. 	<ul style="list-style-type: none"> Grieziet garu zāli no augšas uz leju, katru reizi vienā gājienā nogriežot pa 20cm, lai nepieļautu zāles aptīšanos.
Aukla netiek pareizi nogriezta.	<ul style="list-style-type: none"> Ar laiku aizsarga auklas griešanas asmens mala kļūst trula. 	<ul style="list-style-type: none"> Uzasiniet auklas griešanas asmeni ar vīli vai nomainiet to.

GARANTIJA

EGO GARANTIJAS POLITIKA

Lūdzu, apmeklējiet tīmekļa vietni egopowerplus.com, kur pieejama pilna EGO Garantijas politikas noteikumu un nosacījumu versija.

LUGEGE KÕIKI JUHISEID!



LUGEGE JUHEND LÄBI JA PÜÜDKE SELLEST ARU SAADA

⚠ Kaasnev risk! Inimesed, kes kasutavad elektroonilisi seadmeid, nt südamestimulaatorit, peaksid enne selle toote kasutamist konsulteerima oma arstiga. Elektriseadmete kasutamine südamestimulaatori läheduses võib põhjustada südamestimulaatori häireid või rikkeid.

⚠ HOIATUS: Ohutuse ja töökindluse tagamiseks tohivad seda seadet remondida ainult vastava kvalifikatsiooniga hooldustehnikud.

OHUTUSSÜMBOLID

Ohutussümbolite eesmärk on tõmmata teie tähelepanu võimalikele ohtudele. Ohutussümbolitele ja nende juures olevatele seletustele tuleb korralikult tähelepanu pöörata ja need endale selgeks teha. Ohutussümbolid isenesest ei kõrvalda ohtu olemasolu. Nendega kaasnevad juhendid ja hoiatused ei asenda korralikke õnnetuste vältimise meetmeid.

⚠ HOIATUS: Enne käesoleva seadme kasutamist lugege kindlasti läbi ja tehke endale selgeks kõik Kasutusjuhendis toodud ohutusjuhised, sh kõik ohutussümbolid nagu „OHT,” „HOIATUS,” ja „ETTEVAATUST”. Kui te ei järgi kõiki allpool toodud juhiseid, võib tekkida elektrilöögi, tulekahju ja/või raske kehavigastuse oht.

SÜMBOLITE TÄHENDUSED

TURVATEATE SÜMBOL Tähistusega OHT, HOIATUS, või ETTEVAATUST. Võidakse kasutada koos teiste sümbolite või piktograafidega.



⚠ HOIATUS: Mis tahes elektriliste tööriistade kasutamine võib põhjustada vöökehade paiskumist silma, mis võib põhjustada tõsiseid silmakahjustusi. Kandke elektriliste tööriistade kasutamise ajal alati külgkaitsetega kaitseprille ja vajadusel täielikku näokaitset. Soovitame kanda prillide peal laia vaatealaga kaitsemaski või tavalisi külgkaitsetega kaitseprille.

OHUTUSJUHISED

Sel lehel on kujutatud ja kirjeldatud ohutusesümbolaid, mida võib käesolevalt tootelt leida. Enne, kui üritate masinat kokku panna ja kasutada, lugege, tehke omale selgeks ja järgige kõiki juhiseid.

	Ohutusteade	Teie turvalisusega seotud ettevaatusabinõud
	Lugege kasutusjuhendit	Et vähendada vigastuste ohtu, peab kasutaja enne toote kasutamist lugema kasutusjuhendit ja selle endale selgeks tegema.
	Kandke kaitseprille	Kandke selle toote kasutamise ajal alati kaitseprille või külgkaitsetega kaitseprille ja täielikku näokaitset.
	Kasutage kõrva kaitsevahendeid	Kasutage seadmega töötades alati kuulmiskaitset
	Jõhvi diameeter	Nailonist lõikejõhvi diameeter
	Lõikelaius	Trimmeri maksimaalne lõikeulatus
	No lõiketera	Ärge paigaldage metall- või lõiketera
	Vältige seadme kokkupuudet vihmaga	Ärge kasutage seadet vihmajärgel ja ärge jätke seadet vihma kätte.
	Ärge laske kellelgi töö ajal enda lähedal seista	Trimmeriga töötamise ajal ei tohi 15m raadiuses olla loomi ega teisi inimesi,
	Ärge laske kellelgi töö ajal enda lähedal seista	Trimmeriga töötamise ajal ei tohi 15m raadiuses olla loomi ega teisi inimesi,
V	volti	Pinge
A	amprit	Voolutugevus
Hz	hertsi	Sagedus (tsükli sekundis)
W	vatti	Võimsus
min	minutit	Aeg

~	vahelduvvool	Voolu tüüp
≡	alalisvool	Voolu tüüp või omadus
n_0	Tühikäigu kiirus	Tühikäigu pöörlemiskiirus
... /min	Minutis	Pööret minutis

OLULISED OHUTUSJUHISED

⚠ HOIATUS: Juhtmeta trimmerite kasutamisel tuleb alati järgida järgnevaid elementaarseid ohutusnõudeid. Sedasi väldite tulekahju, elektrilöögi ja vigastuste ohtu.

ENNE KASUTAMIST LUGEGE TÄHELEPANELIKULT.

HOIDKE ALLES.

⚠ OHT: Ärge eeldage, et tööriista isolatsioonikiht tagab täieliku kaitse elektrilöögi eest. Elektrilöögi ohu vähendamiseks ärge kasutage seadet niisuguste juhtmete ega (voolu- jm.) kaablite läheduses, mis võivad olla voolu all.

⚠ ETTEVAATUST: Töö ajal kasutage sobivat kuulmiskaitset.

KOOLITUS

- Lugege juhend hoolikalt läbi. Tutvuge juhtseadmetega ja seadme korrektse kasutamise põhimõtetega.
- Ärge lubage seadet kasutada lastel ega inimestel, kes pole tutvunud käesoleva juhendiga. Kohalikud seadused võivad seada seadme kasutajatele vanusepiiranguid.
- Pidage meeles, et seadme kasutaja vastutab teiste inimeste või nende varaga juhtuvate õnnetuste eest.

ETTEVALMISTUS

- Ärge kasutage seadet teiste inimeste (eriti laste) või loomade läheduses.
- Töö ajal kasutage alati silmade kaitsevahendeid ja tugevaid kingi.
- Vahemaa seadme ja kõrvalseisjate vahel peab olema vähemalt 15m.
- Ärge kasutage metallist teri.

KASUTAMINE

- Kasutage seadet ainult päeval ajal või hea kunstliku valgustusega.

- Ärge kasutage seadet, mille kaitsepiiridest või -katted on kahjustatud või puuduvad.
- Mootori sisselülitamisel hoidke käed ja jalad lõikedetailidest eemal.
- Eemaldage seade alati vooluvõrgust (s.t võtke pistik pistikupesast välja või eemaldage blokeeriv seade),
 - kui jätate selle järelevalveta.
 - Enne ummistuse eemaldamist;
 - Enne seadme puhastamist, kontrollimist või seadistamist;
 - Pärast võõrkehaga pörkumist.
 - Kui seade hakkab ebanormaalselt vibreerima.
- Jälgige, et lõikeseadmed ei vigastaks teie käsi või jalgu.
- Jälgige, et ventilatsiooniavad oleksid kogu aeg puhtad.

HOOLDUS JA HOIUSTAMINE

- Enne hooldus- või puhastustoimingute alustamist eemaldage seade vooluvõrgust (s.t võtke pistik pistikupesast välja või eemaldage blokeeriv seade),
- Kasutage ainult tootja soovitatud tarvikuid ja -varuosi.
- Kontrollige ja hooldage seadet regulaarselt. Laske seadet remontida ainult volitatud remonditöökojas.
- Kui seadet ei kasutata, hoidke seda lastele kättesaamatus kohas.

MUUD TURVAHOIATUSED

- Vältige ohtlikke keskondi – ärge kasutage trimmereid märgades või niisketes kohtades..
- Kui lahkute trimmeri juurest ,lülitage see alati välja või eemaldage akuplokk.
- Ärge kasutage seadet vihma ajal.
- Hoidke lapsed sellest seadmest eemal – kõrvalseisjad peavad olema tööpiirkonnast ohutul kaugusel.
- Riitute asjakohaselt – ärge kandke ehteid ega avaraid riideid. Need võivad liikuvate osade vahele kinni jääda. Vältitingimustes töötades on soovitatav kasutada kummikindaid ja tugevaid jalanõusid. Pikkade juuste puhul kasutage peakatet, mille sisse mahuvad ka juuksed.
- Kasutage kaitseprille - tolmuses keskkonnas kandke alati näo- või tolmumaski.
- Kasutage sobivat seadet - tööriista tohib kasutada vaid niisuguste tööde jaoks, milleks see on ette nähtud.
- Ärge rakendage trimmeriga töötades ülemäärast jõudu. Seade töötab paremini ja turvaliselt, kui seda kasutatakse ettenähtud kiirusel.

- Ärge küünitage liigselt – töötage ainult kindlal maapinnal ja kohtades, kus pole ohtu tasakaalu kaotada.
- Olge tähelepanelik ja keskendunud Rakendage tervet mõistust. Ärge kasutage trimmerit väsinuna.
- Ärge töötage trimmeriga, kui olete kasutanud alkoholi või narkootikume.
- Hoidke piirded omal kohal ja töökorras.
- Hoidke trimmereid sisetingimustes – Kui trimmerit ei kasutata, tuleks seda hoida kuivas ja kõrges lukustatud ning lastele ligipääsmatus kohas ilma akuplokki.
- Hooldage trimmerit hoolikalt – Parimate töötulemuste saavutamiseks ja vigastuste ohu vähendamiseks hoidke lõiketera puhtana. Järgige komponentide vahetamise juhiseid. Hoidke käepidemed kuivana, puhtana ja vältige õli ja rasva sattumist seadmele.
- Kontrollige kahjustatud osi enne kui seadme kasutamist jätkate. Kahjustatud piiret või muud detaili tuleb hoolikalt kontrollida, et veenduda, et detail toimib korrektselt ja täidab oma funktsiooni. Kontrollige, kas liikuvad komponendid on korrektselt joondatud ja ega ükski osa paindunud pole ning jälgige ka muid aspekte, mis võiksid seadme omadusi mõjutada. Kahjustatud kate või muu kahjustatud detail tuleks korrektselt parandada või asendada ametlikus hoolduskuskesuses, välja arvatud juhul, kui selles juhendis pole öeldud teisiti.
- Enne töö alustamist puhastage tööpiirkond võõrkehade eest. Eemaldage tööpinnalt kõik, kivid, klaasikillud, naelad, juhtmed ja nõõrid, mis võivad seadme külge või sisse kinni jääda. Veenduge, et 15 meetri raadiuses pole teisi inimesi ega loomi.
- Alati enne seadme kasutamist ja pärast kokkupuudet takistusega kontrollige seadme kulumust ja vajadusel remontige seda.
- Töö ajal hoidke alati kahe käega tugevalt trimmeri käepidemetest kinni. Pange sõrmed ümber käepideme.
- Vältige seadme juhuslikku käivitamist - ärge kandke trimmerit sõrme päästikul hoides.
- Ärge kasutage trimmerit keskkonnades, kus leidub bensiiniaure või mis on muul põhjusel plehvatusohtlikud. Seda tüüpi seadmete mootorid tekitavad sademeid, mis võivad aurd süüdata.
- Ärge puudutage ohtlikke liikuvaid seadmeosi enne, kui seade on välja lülitatud (või akupakk seadme küljest eemaldatud) ja liikuvad seadmeosad on täielikult seiskunud.
- Trimmeri kahjustamine - kui tabate trimmeriga võõrkeha või võõrkeha jääb trimmeri külge kinni, seisake tööriist kohe, eemaldage akuplokk, kontrollige võimalikke kahjustusi ja vajadusel laske seade enne töö jätkamist remontida. Ärge kasutage seadet, mille kaitsepiire või pool on katki.
- Kui seade peaks ebanormaalselt vibreerima hakkama, peatage mootor, eemaldage akuplokk ja otsige kohe kohe kohe põhjust. Vibratsioon hoiatab tavaliselt ohu eest. Lahtine lõikepea võib vibreerida, mõraneda, murduda või trimmeri küljest ära tulla. Selle tulemuseks võivad olla raskeid või surmavaid kehavigastused. Veenduge, et lõikeseadme asend on korrektselt fikseeritud. Kui lõikepea tuleb pärast kohale fikseerimist lahti, vahetage see kohe välja. Ärge kunagi kasutage lahtise lõikeseadmega trimmerit.
- Mõranenud, kahjustunud või kulunud lõikepea tuleb kohe kohe kohe vahetada isegi kui kahjustuseks on vaevumärgatav mõra. Niisugused lisaseadmed võivad suured kiirused puruneda ja põhjustada raskeid või surmavaid vigastusi.
- Kontrollige lõikeseadme seisukorda regulaarselt ja sagedasti või kohe kohe kohe ilmne märgatav muutus lõikeseadmete töös.
- Kasutage ainult originaalset EGO™ polümeerist trimmeri jõhvi tarvikuid ja jõhvi, mis on mõeldud selle trimmeri jaoks. Kuigi mõnede mittelubatud tarvikute ühendamine EGO™ jõhvtrimmeri külge võib võimalik olla, on nende kasutamine väga ohtlik ja/või võib kahjustada tööriistu.
- Raskete vigastuste ohu vältimiseks ärge kunagi kasutage nailonist jõhvi asemel traadipõhist või metalltugevdusega jõhvi. Traaditükid võivad murduda ja suurel kiirusel seadme kasutaja või kõrvalseisjate suunas paiskuda.
- Selleks, et vähendada võimalikke seadme üle kontrolli kaotamisest tulenevaid ohte, ärge kunagi kasutage seda seadet, kui seisate redelil või muul ebakindlal pinnal. Ärge kunagi hoidke lõiketera vöökohast kõrgemal.
- Kui esineb olukordi, mis pole käesolevas juhendis kirjeldatud käituge hoolsalt ja lähtuge tervest mõistusest. Küsige abi EGO hoolduskuskesusest.
- Ärge laadige akuplokki niisketes ega märgades tingimustes.
- Kasutage ainult järgnevalt nimetatud akuplokke ja laadijaid:

AKU	LAADIJA
BA1120E, BA2240E, BA2800, BA3360, BA4200	CH5500E, CH2100E

- Akuplokk tuleb seadmelt enne selle tööea lõppu eemaldada.
- Aku käitlemisel tuleb järgida ohutusreegleid.
- Ärge hävitage akusid põletamise teel. Need võivad plahvatada. Tutvuge kohalike eeskirjadega, et leida võimalikke erijuhtumiseid akude ja patareide kõrvaldamiseks.
- Ärge avage ega lõhkuge akut. Väljuv elektrolüüt on korrodeeriv ning võib silmi ja nahka vigastada. Allaneelamisel võib see mürgine olla.
- Akude käsitlemisel olge hoolikas ja jälgige, et te ei lühista akut elektrit juhtivate esemete (nt sõrmuste, käevõrude, võtmete) abil. Aku või elektrit juhtiv ese võib üle kuumeneda ja põhjustada põletushaavu.
- Remondiks võib kasutada ainult identseid EGO™ originaalvaruosi. Ükskõik missuguse muu tarviku või lisakomponendi kasutamine suurendab vigastuste tekkimise ohtu.
- Akuga töötavaid tööriistu pole vaja vooluvõrku ühendada, seega on nad alati töörežiimis. Olge teadlik võimalikest ohtudest ka ajal, mil tööriist pole sisse lülitatud. Seadme hooldamise või remontimise ajal olge ettevaatlik.
- Ärge puhastage trimmerit voolikuga, vältige vee sattumist mootorisse ja elektrihenduste peale.
- Hoidke see kasutusjuhend alles. Lugege seda sageli ning kasutage seda, et seadet sageli kasutavaid isikuid välja õpetada. Kui te seadet kellelegi laenate, andke sellega kaasa ka käesolev kasutusjuhend, et vältida seadme väärkasutamist ja võimalikke vigastusi.
- Selle seadme kasutamise ajal kandke alati tugevaid jalatseid ja pikki pükse.
- Jälgige jalgealust kallakutel ja liikuge kõndides mitte joostes.

HOIDKE SEE KASUTUSJUHEND ALLES!

SPETSIFIKATSIOONID

Pinge	56 V $\overline{\text{---}}$
Tühikäigu kiirus	5200-6500 /min
Lõikemehhanism	Muhuga pea
Lõikejõhvi tüüp	AL0802 2.0mm Nailon twist rida
Lõikelaius	33 cm
Mass (ilma akuplokita) (mõõdetud vastavalt 2000/14/EN)	2,76 kg
Mõõdetud helirõhu tase L_{WA}	89,25 dB(A) K=2,5 dB(A)

Maksimaalne helirõhk seadme operaatori kõrva juures L_{Pa}	75,2 dB(A) K=2,5 dB(A)	
Garanteeritud helirõhk L_{WA} (vastavalt 2000/14/EN)	93 dB(A)	
Vibratsioon a_h	Eesmine abikäepide	2,134 m/s ² K=1,5 m/s ²
	Tagumine käepide	1,231 m/s ² K=1,5 m/s ²

- Ametlik vibratsioonitaseme näit on mõõdetud standardsete testmeetodite kohaselt ja seda võidakse kasutada erinevate tööriistade võrdlemiseks.
- Ametlikku vibratsioonitaseme näitu võib kasutada ka algse kokkupuutehinnangu andmiseks.

MÄRKUS: Tegelikul kasutamisel tekiv vibratsioonitase või ametlikult märgitud erineb; turvalisuse eesmärgil peaks seadme kasutaja kandma kindaid ja kuulmiskaitseid.

PAKENDI LOEND

OSA NIMI	KOGUS
Jõhvtrimmer	1
Piire	1
Eesmine abikäepide	1
Kuuskantvõti	1
Kasutusjuhend	1

KIRJELDUS

TUNNE OMA JÕHVTRIMMERIT (joon. A)

1. Päästik
2. Tagumine käepide
3. Lukustushoob
4. Kiiruse reguleerimise lüliti
5. Pehme muhv
6. Kohandatav eesmine abikäepide
7. Muhuga pea (lõikepea)
8. Muhu nupp
9. Lõiketera
10. Piire
11. Väljutusmehhanism
12. Elektrikontaktid
13. Riiv
14. Akuvastusnupp

SEADE

⚠ HOIATUS: Kui mõni osa on kahjustatud või puudub, ärge kasutage seadet enne kui see osa on parandatud. Kasutades kahjustatud või vajalike komponentideta seadet, võite saada raskeid vigastusi.

⚠ HOIATUS: Ärge üritage seadet ümber ehitada ega kasutada lisaseadmeid, mis pole mõeldud kasutamiseks selle trimmeriga. Kõik niisugused muudatused loetakse väärkasutuseks ja need võivad põhjustada ohtlikke olukordi, mis lõppevad raskete vigastustega.

⚠ HOIATUS: Raskeid vigastusi põhjustada võiva juhusliku käivitumise vältimiseks eemaldage seadmeosade kokkupaneku ajaks alati akuplokk.

KAITSEDETAILI PAIGALDAMINE

⚠ HOIATUS: Piirde paigaldamise või vahetamise ajal kasutage alati kindaid. Jälgige tera liikumist ja olge ettevaatlik, et te ei vigastaks oma käsi.

⚠ HOIATUS: Ärge kasutage tööriista, mille turvapiire pole korrektselt paigaldatud. Kasutaja turvalisuse huvides peab piire kogu aeg kinnitatud olema. Piirde paigaldamise järgselt ärge kunagi üritage piiret eemaldada ega kohandada. Asendamise vajaduse korral peab seda tegema kvalifitseeritud tehnik!

Keerake lahti kaks aluse küljes olevat kruvi (joon. B). Joondage kaitse detaili paigaldusaugud aluse aukudega ja kinnitage kaitse detaili nende kahe kruvi abil aluse külge. Veenduge, et kaitse detail on kinnitatud vastavalt joonistel B ja C antud juhiste. Juhiste mittejärgimine tekitab väga ohtliku olukorra!

EESMISE ABIKÄEPIDEME PAIGALDAMINE JA KOHANDAMINE

Lükake eesmine abikäepide völli peale (joon. E) ja paigaldage käepideme pesasse kinnitusplokk (joon. F). Paigaldage kinnitusdetail ning fikseerige kõik komponendid liblikmutriga (joon. G). Toimingute õige järjestus on kujutatud joonisel D. Viimasena kohandage eesmise abikäepideme asendit nii, et teie eesmine käsi oleks trimmeri kasutamise (joon. H) ajal sirge ja sobiva asendi leidmisel lukustage seade lukustusdetaili hoova abil (joon. I)

Jooniste D ja H osade kirjeldus, vt allpool:

D-1	Eesmine abikäepide	D-4	Tiibmutter
D-2	Lukustusdetail	H-1	Pehme muhv
D-3	Kinnitusplokk	H-2	Hoiatussilt

MÄRKUS: Eesmine abikäepide tuleks pöörata ülespoole nii et see oleks suunatud käepideme tipu poole.

⚠ HOIATUS: Eesmist abikäepidet tohib paigaldada ainult völli peal oleva pehme muhvi ette.

⚠ HOIATUS: Seda tööriista ei tohi kasutada, kui eesmine abikäepide pole kindlalt kinnitatud.

KASUTAMINE

⚠ HOIATUS: Ärge muutuge toodet tundma õppides hooletuks. Pidage meeles, et raskeid vigastusi põhjustavaks õnnetuseks piisab ka sekundi murdosa pikkusest tähelepanematuses.

⚠ HOIATUS: Kandke alati küljekaitsega turvapille. Koos kuulmiskaitsega. Vastasel korral võib teile midagi silma lennata ja võite saada ka muud laadi raskeid vigastusi.

⚠ HOIATUS: Ärge kasutage lisaseadmeid või -tarvikuid, mida selle seadme valmistaja pole soovitanud. Mittesoovituslike lisaseadmete või -tarvikute kasutamine võib põhjustada raskeid kehavigastusi.

⚠ HOIATUS: Kasutage sobiva jõhviga varustatud jõhvtrimmerit ainult muru ja muruga sarnase taimestiku lõikamiseks.

Seadet tohib kasutada allpool loetletud eesmärkidel:

Trimmine: seinte, aedade, puude ja piirete ääres kasva-va muru eemaldamiseks.

Lõikamine: sellise muru lõikamiseks, millele on tavalise niiduki abil keeruline ligi pääseda.

MÄRKUS: Seadet tohib kasutada vaid käesolevas juhendis lubatud eesmärgil. Igasugust muud kasutust (nt äärte trimmerdamist) loetakse väärkasutuseks.

AKUPLOKI PAIGALDAMINE/EEMALDAMINE

Laadige enne esimest kasutamist täielikult.

Kinnitamine

Joondage aku ribad paigaldussoontega ja suruge akuplokki alla kuni kuulete klõpsatust (joon. J).

Eemaldamiseks

Vajutage akuvabastusnuppu ja tõmmake akuplokk välja, nagu näidatud joonisel K.

JÕHVTRIMMERI HOIUSTAMINE

⚠ HOIATUS: Kandke sobivat riietust, et vältida trimmeri kasutamise käigus vigastuste teket. Ärge kandke ehteid ega avaraid riideid. Kandke nägemis- ja kuulmiskaitsevahendeid. Kandke tugevast materjalist pikki pükse, saapaid ja kindaid. Ärge kandke trimmeriga töötades lühikesi pükse ega sandaale ja ärge töötage paljajalu.

Enne töö alustamist hoidke trimmerit kahe käega - ühe käega tagumist käepidet ja teisega eesmist abikäepidet, mis jääb sirgesse asendisse (joon. L). Seejärel kontrollige, kas töökoha maapind on kindel ja milline on sobiv lõikekaugus, et töö ajal ei peaks kummarduma.

JÕHVTRIMMERI KÄIVITAMINE/SEISKAMINE

Käivitamine

Vajutage lukustushooba ja hoidke seda all. Trimmeri käivitamiseks vajutage päästikule, nagu on näidatud joonisel M.

Peatamine:

Laske lukustushoob ja päästik lahti.

MÄRKUS: Mootoril on kaks lõikamiskiirust. Joonisel M näidatud asendis "1" rakendub aeglasema kiiruse režiim ja asendis "2" kiirema kiiruse režiim. Kiiruse muutmiseks lükake kiiruse kohandushoob töö ajal soovitud asendisse.

Joonise M osade kirjeldus, vt allpool:

M-1	Asend 1
M-2	Asend 2

⚠ BRIDINÄJUMS Darba pārtraukumos un pēc darba vienmēr izņemiet no auklas trimera akumulatora bloku.

JÕHVTRIMMERI KASUTAMINE

⚠ HOIATUS: Raskete vigastuste vältimiseks kasutage seadmega töötades alati kaitseprille. Tolmustes tingimustes kandke näomaski või tolumumaski.

Enne töö alustamist puhastage tööpiirkond võõrkehadeid. Eemaldage tööpinnaalt kõik, kivid, klaasikillud, naelad, juhtmed ja nõõrid, mis võivad seadme külge või sisse kinni jääda. Jälgige, et tööpiirkonnas poleks lapsi, kõrvalisi iskuid ega loomi- Lapsed, kõrvalseisjad ja loomad peavad olema vähemalt 15 meetri kaugusel; ka selle tingimuse täidetuse korral säilib kõrvalseisjatele mõningane oht. Soovitage kõrvalseisjatel kasutada kaitseprille. Kui keegi teile läheneb, seisake mootor ja lõikeseade koheselt.

Enne iga kasutuskorda kontrollige ega seadme osad kulunud või kahjustatud pole.

Kontrollige lõikepead, piiret ja eesmist abikäepidet ning vahetage välja mõranenud, väändunud, paindunud või muul moel kahjustatud komponendid.

Piirde jõhvi lõikaväär võib aja jooksul kuluda. Soovitav on seda arg-ajalt viiliga teritada või nürinemise korral uue vastu vahetada.

⚠ HOIATUS: Piirde paigaldamise või vahetamise ning tera teritamise või vahetamise ajal kasutage alati kindaid. Jälgige tera liikumist ja olge ettevaatlik, et te ei vigastaks oma käsi.

Puhastage trimmerit pärast iga kasutuskorda.

⚠ ETTEVAATUST: Õhutusava ees olevad objektid takistavad õhu pääsemist mootori korpusesse ning selle tulemusena võib mootor üle kuumeneda või kahjustusi saada.

- Puhastamiseks kasutage ainult pehmetoimelist seepi ja niisket lappi. Ärge laske vedelikul tööriista sisse sattuda ega kastke tööriista vedeliku sisse.
- Jälgige alati, et mootori korpuse ja võlli õhutusavad oleksid puhtad.

⚠ HOIATUS: Ärge kunagi puhastage trimmerit veega. Väitige plastosade kasutamisel lahustite kasutamist. Enamik plastmasse lagunevad kaubanduslike lahustite toimel kergesti. Kasutage mustuse, tolmu, õli, rasva jm eemaldamiseks puhast lappi.

LÕIKEJÕHVI KÕRGUSE KOHANDAMINE

Tänu muhuga lõikepeale saab kasutaja jõhvi pikendada seadet seiskamata. Kui jõhv lähed katki või kulub, puudutage jõhvi pikendamiseks lõikepea muhuga kergelt maad ilma trimmerit seiskamata (vt joon. P).

MÄRKUS: Lõikejõhvi vabastamine muutub jõhvi lühenedes järjest raskemaks.

⚠ HOIATUS: Ärge eemaldage ega kohandage jõhvi lõiketera. Liiga pikk jõhv põhjustab mootori ülekuumenemist, mis omakorda suurendab raskete vigastuste ohtu.

JÕHVI VAHETAMINE

⚠ HOIATUS: Ärge kasutage metalse tugevdusega nõõri, traati, köit vmt. Need võivad murduda ning õhku tõustes ohtlikuks muutuda.

Lõikejõhvi vahetamiseks on kaks võimalust:

1. Kerige uus jõhv pooli ümber.
2. Paigaldage pool, millele on eelnevalt jõhv ümber keritud (AS1300, AS1301, AS1302, vajadusel saab osta edasimüüja käest).

Kerige uus jõhv pooli ümber.

Vajutage kahele pooli aluse vabastusnupule ja tõmmake pooli hoidik välja (joon. O). Võtke umbes 7m uut jõhvi. Kerige see ümber pooli, vastavalt joonistel P ja Q antud juhistele. Seejärel lükake jõhvi otsad läbi pooli kahe vastastikku asetseva tække (joon. T), paigaldage pool tagasi oma kohale nii, et pooli täkked on kohakuti pooli pesa augukestega (joon. W. Viimaks joondage pooli pesa sakid aluse ribadega ja suruge pooli pesa aeglaselt alla, jälgides, et see fikseeruks oma kohale (joon. S).

MÄRKUS: Enne trimmeri pea tagasi paigaldamist puhastage alati pooli pesa, pool ja pooli alus. Kontrollige ega pooli pesa või alus kulunud ei ole. Vajadusel vahetage kulunud osad.

MÄRKUS: Kui te ei keri jõhvi ümber pooli näidatud suunas, töötab trimmeri lõikepea valesti.

Eelkeritud pooli paigaldamine

Vajutage kahele pooli aluse vabastusnupule ja tõmmake pooli hoidik välja (joon. O). Seejärel paigaldage valmis keritud pool pesasse nii, et täkked oleksid kohakuti pesa augukestega (joon. T). Viimaks joondage pooli pesa sakid aluse ribadega ja suruge pooli pesa aeglaselt alla, jälgides, et see fikseeruks oma kohale (joon. S).

Jooniste S ja T osade kirjeldus, vt allapoole:

S-1	Vabastussakk	T-1	Täke
S-2	Pesa	T-2	Auguke

MÄRKUS: Veenduge, et pooli aluse vabastussakid fikseeruvad kohale, sest vastasel korral võib pool töö käigus trimmerist välja kukkuda.

HOOLDUS

⚠ HOIATUS: Remontimisel kasutage vaid originaalvaruosi. Kontrollige ja hooldage seadet regulaarselt. Ohutuse ja töökindluse tagamiseks tohivad seda seadet remontida ainult vastava kvalifikatsiooniga hooldustehnikud.

⚠ HOIATUS: Akuga töötavaid tööriistu pole vaja vooluvõrku ühendada, seega on nad alati töörežiimis. Raskete vigastuste ennetamiseks olge väga hoolikas, kui teostate hooldus- või remonttöid või vahetate lõikeosadmeid või muid komponente.

⚠ HOIATUS: Raskete vigastuste vältimiseks eemaldage alati aku enne kui asute seadet remontima, puhastama, lisatarvikuid kinnitama või kinni jäänud objekte eemaldama.

SEADME PUHASTAMINE

- Puhastage seade, kasutades õrna puhastusvahendiga immutatud niisket lappi.
- Ärge kasutage plastmasskomponentide või käepideme puhastamiseks tugevatoimelisi puhastusaineid. Seadme osi võivad kahjustada teatud aromaatsed õlid (nt männi- või sidruniõli) ja teatud ained (nt petrooleum). Niiskust võib tekitada elektrilöögi ohu. Eemaldage niiskust pehme kuiva lapiga.
- Tagumise korpuse õhutusavade takistustest puhastamiseks kasutage väikest harja või tolmuimeja väikese harja õhuväljutusava.

SEADME HOIUSTAMINE

- Kui te jõhvtrimmerit ei kasuta, eemaldage selle akuplokk.
- Enne tööriista hoiustamist puhastage see hoolikalt.
- Hoidke tööriista kuivas ja kõrges lukustatud ning lastele ligipääsmatus kohas. Ärge hoidke seadet väetiste, bensiini või muude kemikaalide läheduses.

Keskkonnakaitse

Ärge visake elektriseadmeid, akulaadijat ega patareid / akusid olmeprügi hulka!

Vastavalt Euroopa Liidu eriaruandele nr 2012/19/EÜ tuleb elektri- ja elektroonikaseadmed, mis pole enam kasutatavad, ning, vastavalt direktiivile 2006/66/EÜ, ka defektsed või kasutatud akuplokid / patareid, eraldi kokku koguda.

Kui elektriseadmed maetakse maa sisse või viiakse prügimäele, võivad ohtlikud ained põhjavette lekkida ja toiduahelasse sattuda ning kahjustada teie tervist ja heaolu.

EN VASTAVUSDEKLARATSIOON

Meie, CHERVON EUROPE LTD.

47 CASTLE STREET, READING, RG1 7SR, UNITED KINGDOM

Kinnitame, et see toode, **56-voldise akuga juhtmeta jõhvtrimmer ST1300E** vastab järgmiste direktiividega sätestatud esmastele tervise- ja turvanõuetele:

2006/42/EÜ, 2014/30/EL, 2011/65/EL, 2000/14/EÜ

Viidatud standardid ja tehnilised spetsifikatsioonid:

EN 60335-1, EN 50636-2-91, EN ISO 11806-1, EN ISO 12100, EN 62233, EN 55014-1, EN 55014-2

Mõõdetud helivõimsuse tase: 89,25dB(A).

Garanteeritud helivõimsuse tase: 93dB(A).

Peter Melrose
Chervon Europe'i asepresident

Dong Jianxun
Chervoni kvaliteedijuht

* (CHERVONI volitatud esindaja ja tehniliste dokumentide eest vastutav isik)

01/04/2016

TÖRKEOTSING

PROBLEEM	PÕHJUS	LAHENDUS
Jõhvtrimmer ei käivitu.	<ul style="list-style-type: none"> ■ Akuplokk pole trimmeriga ühendatud. ■ Trimmeri ja aku vahel puudub elektriline ühendus. ■ Akuplokk on tühi. ■ Lukustushooba ja päästikut ei vajutatud samaaegselt. 	<ul style="list-style-type: none"> ■ Kinnitage akuplokk trimmeri külge. ■ Eemaldage aku, kontrollige ühendusi ja paigaldage akuplokk tagasi. ■ Laadige akuplokk. ■ Jõhvtrimmeri sisse lülitamiseks vajutage lukustushooba ja hoidke seda all ning suruge päästik alla.
Jõhvtrimmer seiskub niitmise ajal.	<ul style="list-style-type: none"> ■ Piire pole trimmeri külge kinnitatud, mistõttu on jõhv liiga pikaks läinud ja mootor üle koormatud. ■ Kasutatakse rasket jõhvi. ■ Muru on ummistanud mootori võlli või trimmeri pea. ■ Mootor on ülekoormatud ■ Akuplokk või jõhvtrimmer on liiga kuum. ■ Akuplokk on tööriista küljest lahti ühendatud. ■ Akuplokk on tühi. 	<ul style="list-style-type: none"> ■ Eemaldage akuplokk ja kinnitage piire trimmeri külge. ■ Kasutage ainult kuni 2,0-millimeetrise diameetriga nailonist jõhvi. ■ Seisake trimmer, ühendage aku lahti ja eemaldage mootori võlli ja trimmeripea ümber kogunenud muru. ■ Tõstke trimmeri pea muru seest välja. Mootor hakkab uuesti tööle kohe, kui takistus on eemaldatud. Niitmise ajal liigutage trimmeri pead niidetava muru sisse ja sealt välja ning ärge lõigake korraga rohkem kui 20cm muru. ■ Jahutage akuplokki või trimmerit, kuni temperatuur langeb alla 67°C. ■ Re-install the battery pack. ■ Charge the battery pack.

PROBLEEM	PÕHJUS	LAHENDUS
Trimmeri pea ei anna lisajõhvi välja.	<ul style="list-style-type: none"> ■ Muru on ummistanud mootori võlli või trimmeri pea. ■ Pooli ümber pole piisavalt jõhvi. ■ Trimmeri pea on määrdunud. ■ Jõhv on pooli ümber sõlme läinud. ■ Jõhv on liiga lühike. 	<ul style="list-style-type: none"> ■ Seisake trimmer, ühendage aku lahti ja eemaldage mootori võlli ja trimmeripea ümber kogunenud muru. ■ Eemaldage aku ja vahetage jõhv, järgides käesoleva juhendi alapunktis "JÕHVI VAHETAMINE" antud juhiseid. ■ Eemaldage aku ja puhastage pool ning pooli pesa ja alus. ■ Eemaldage aku ning kerige jõhv pooli pealt maha ja tagasi, järgides käesoleva juhendi alapunktis "JÕHVI VAHETAMINE" antud juhiseid. ■ Eemaldage aku ja tõmmake jõhvi, ning vajutage samaaegselt mitu korda lõikepea muhu peale.
Muru keerdub ümber trimmeri pea ja mootori korpuse.	<ul style="list-style-type: none"> ■ Kõrget muru lõigatakse maapinna lähedal. 	<ul style="list-style-type: none"> ■ Alustage kõrge muru lõikamist ülevalt ja keerdumise vältimiseks eemaldage korraka kuni 20cm.
Jõhv ei lõika hästi.	<ul style="list-style-type: none"> ■ Piirde jõhvi lõikav äär on kulunud. 	<ul style="list-style-type: none"> ■ Teritage jõhvi lõikavat äärt või vahetage see uue vastu.

GARANTII

EGA GARANTIIPÕHIMÕTTED

Täielikud EGO garantiitingimused leiate veebilehelt egopowerplus.com.

