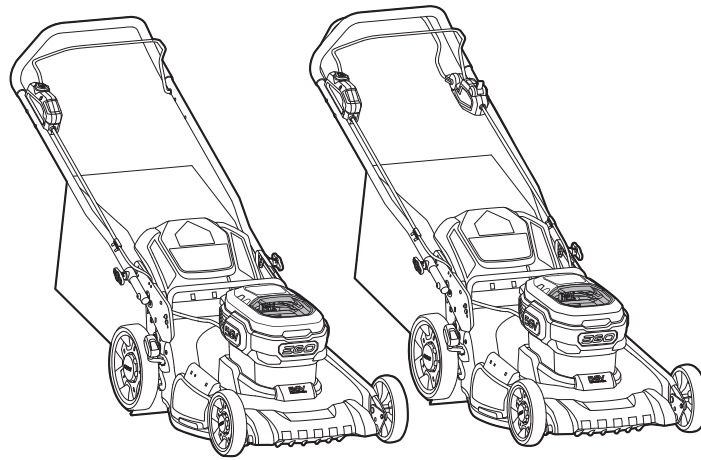


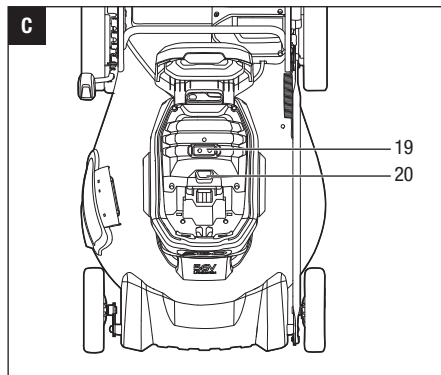
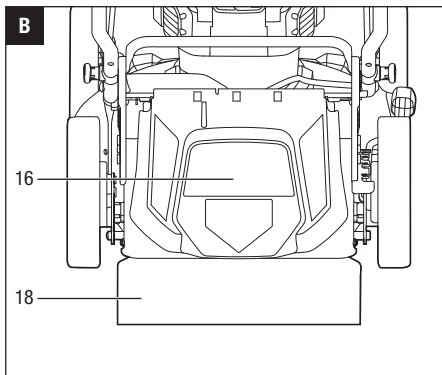
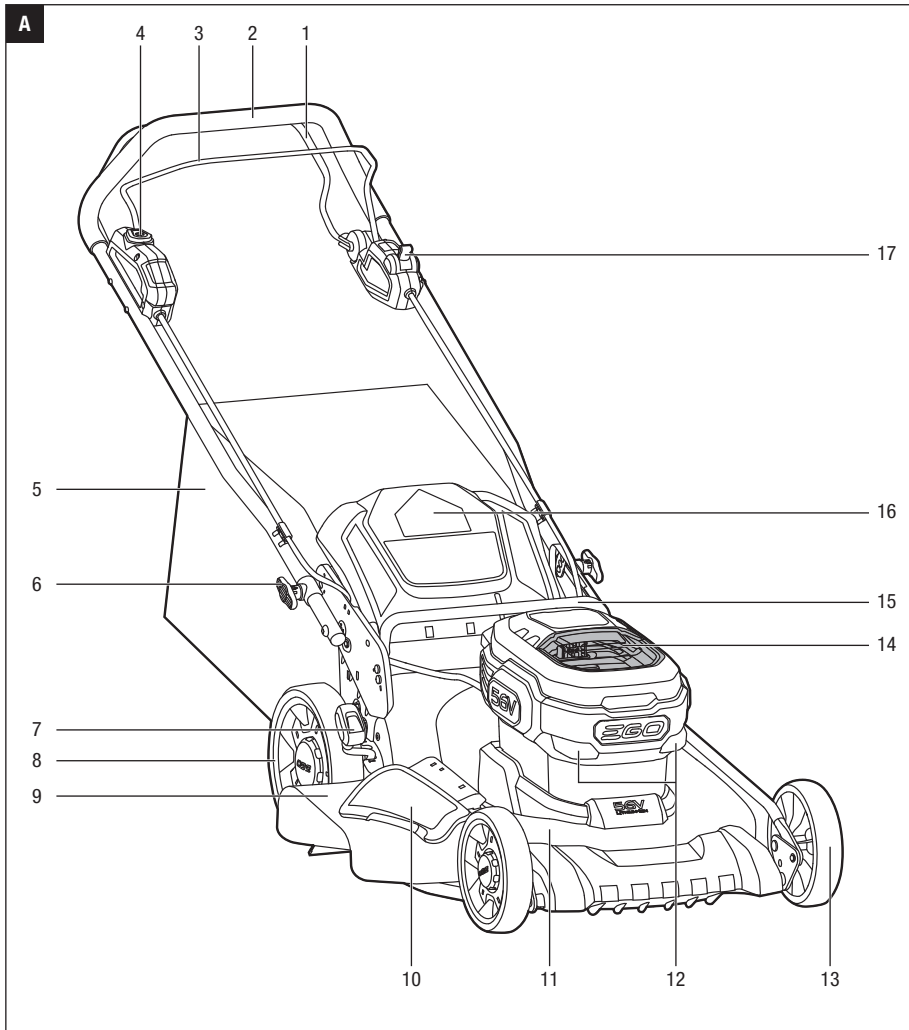
EGO™

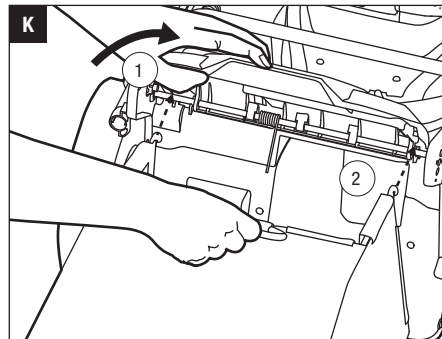
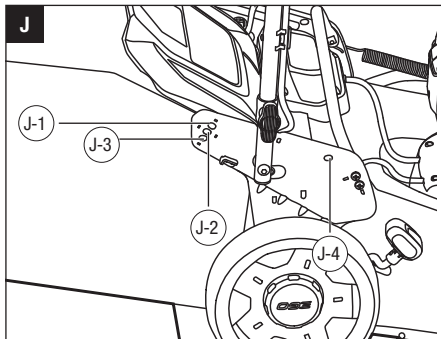
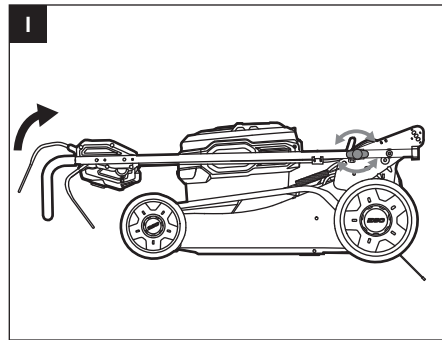
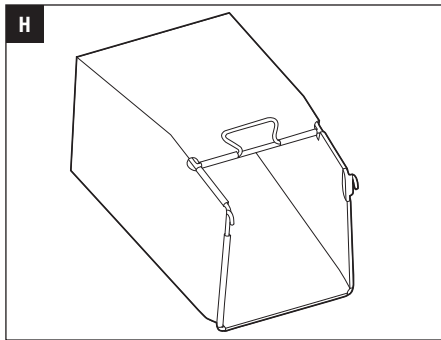
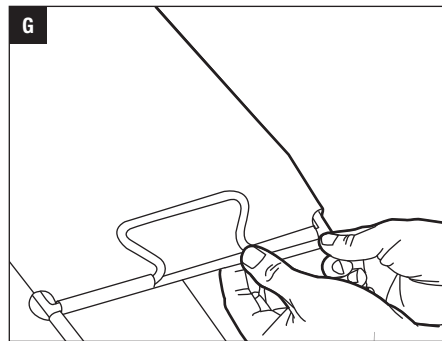
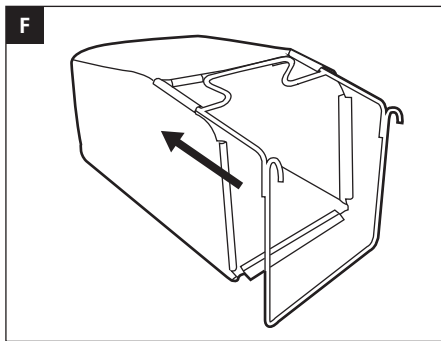
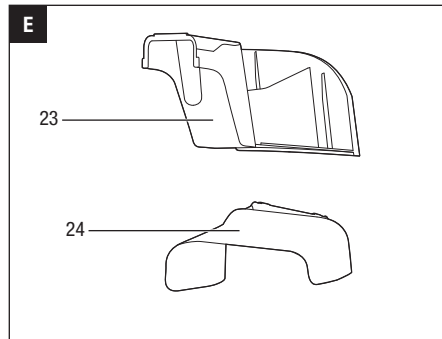
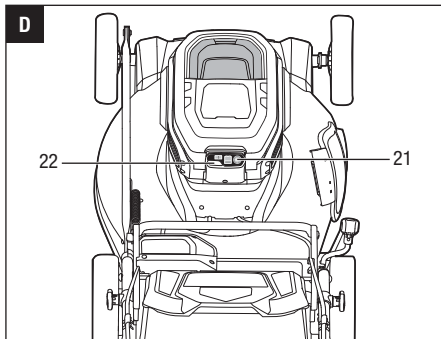
POWER⁺ MOWER

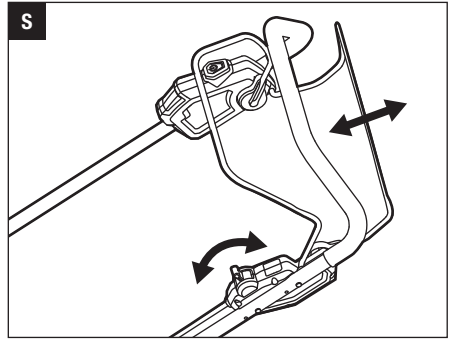
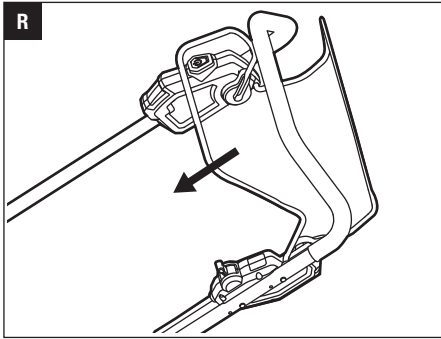
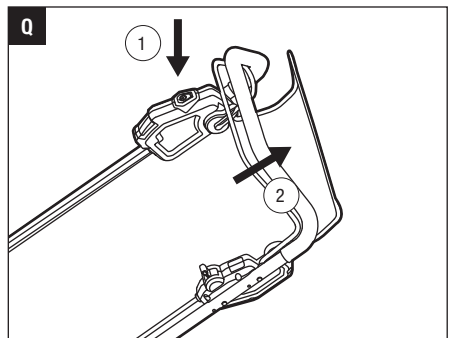
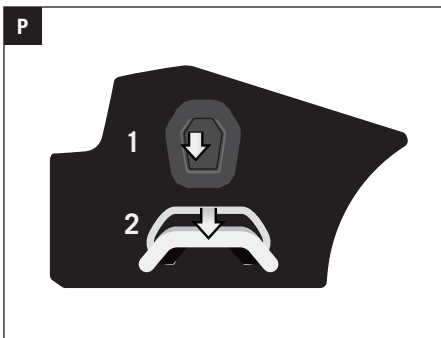
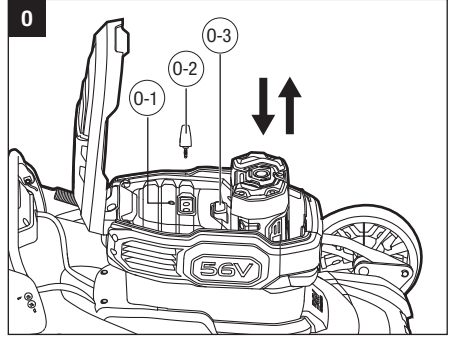
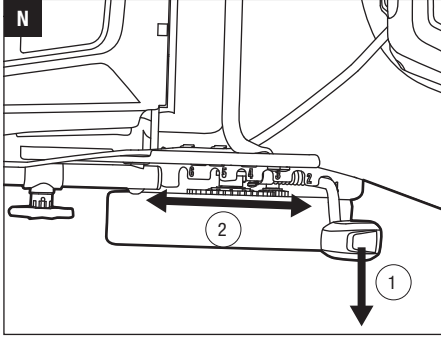
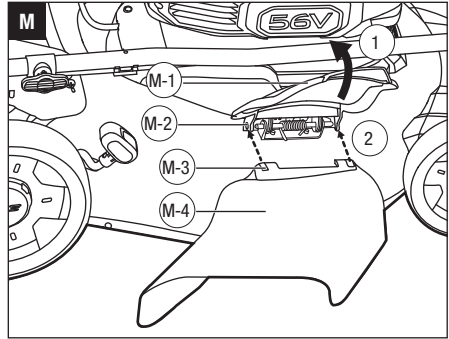
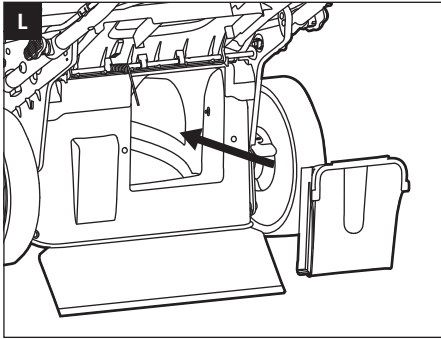


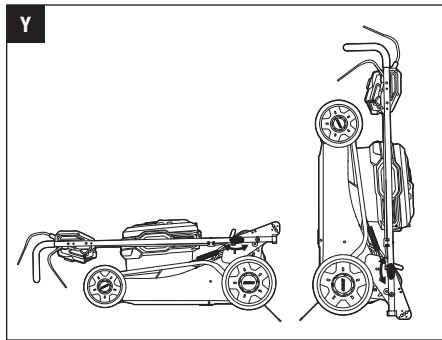
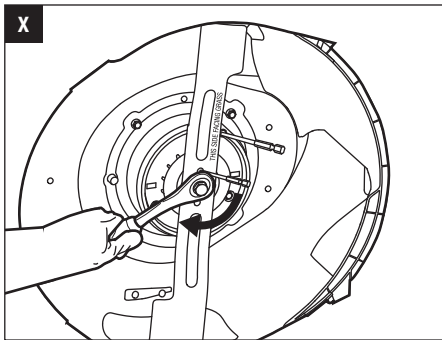
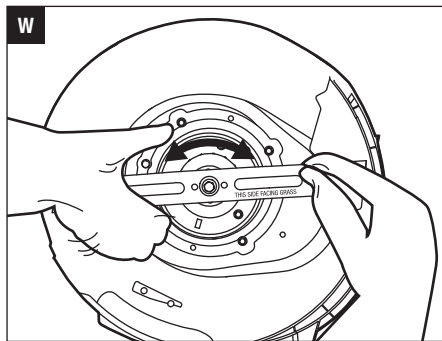
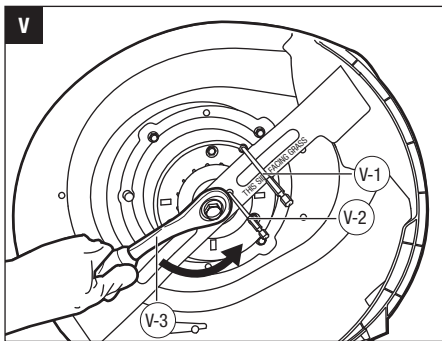
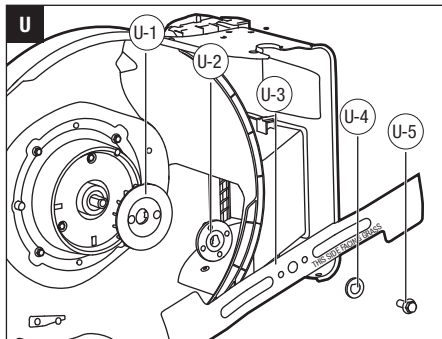
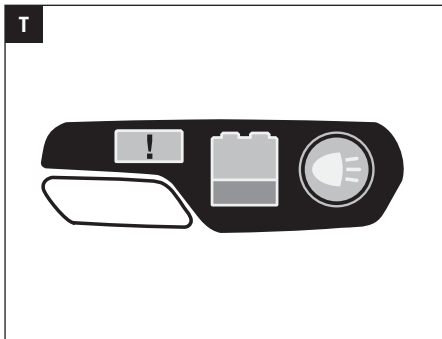
OPERATOR'S MANUAL
**56 VOLT LITHIUM-ION
 CORDLESS MOWER**
 MODEL NUMBER LM2010E/LM2010E-SP

EN	56 Volt lithium-ion cordless mower	6	NO	56 volt lithium-ion gressklipper uten ledning	131
DE	56-volt lithium-ionen kabelloser rasenmäher	18	RU	Беспроводная газонокосилка на литий-ионной батарее 56В	143
FR	Tondeuse sans fil au lithium-ion de 56 volts	31	PL	Kosiarka bezprzewodowa na akumulator jonowo-litowy 56 woltów	156
ES	Cortacésped inalámbrico de ión de litio de 56V	44	CZ	56 voltová lithium-iontová bezdrátová sekačka na trávu	167
PT	Máquina de cortar relva sem fios de 56 volts de ião e lítio	58	SK	56 voltová lítium-iónová bezdrátová kosačka na trávu	180
IT	Tosaerba senza fili a batteria li-ion 56 volt	70	LT	56 voltų ličio jonų belaidė žoliapjovė	192
NL	56-volt lithium-ion accugrasmaaier	82	LV	56 voltu litija jonu bezvadu zāles pļāvējs	204
DK	56 volt lithium-ion-batteri akku plæneklipper	95	ET	56-voldise liitiumioonakuga akutoitel muruniiduk	216
SE	56 volts sladdlös gräsklippare med litium-jonbatteri	107			
FI	56 voltin litiumioniakulla akkukäyttöinen ruohonleikkuri	119			











READ ALL INSTRUCTIONS!

EN



READ & UNDERSTAND INSTRUCTION MANUAL

⚠ Residual risk! People with electronic devices, such as pacemakers, should consult their physician(s) before using this product. Operation of electrical equipment in close proximity to a heart pacemaker could cause interference or failure of the pacemaker.

⚠ WARNING: To ensure safety and reliability, all repairs and replacements should be performed by a qualified service technician.

Intended use & Foreseeable misuse: The product is intended for mowing grass in domestic gardens only. It must not be used to mow unusually high, dry or wet grass, e.g. pasture grass; or to shred leaves. The product is to be used only for its prescribed purpose. Any other use is deemed to be a case of misuse.

SAFETY SYMBOLS

The purpose of safety symbols is to attract your attention to possible dangers. The safety symbols and the explanations with them deserve your careful attention and understanding. The symbol warnings do not, by themselves, eliminate any danger. The instructions and warnings they give are no substitutes for proper accident prevention measures.

⚠ WARNING: Be sure to read and understand all safety instructions in this Operator's Manual, including all safety alert symbols such as "**DANGER**," "**WARNING**," and "**CAUTION**" before using this tool. Failure to follow all instructions listed below may result in electric shock, fire, and/or serious personal injury.

SYMBOL MEANING

SAFETY ALERT SYMBOL: Indicates **DANGER**, **WARNING**, or **CAUTION**. May be used in conjunction with other symbols or pictographs.

⚠ WARNING: The operation of any power tools can result in foreign objects being thrown into your eyes, which can result in severe eye damage. Before beginning power tool operation, always wear safety goggles or safety glasses with side shields and a full face shield when needed. We recommend a Wide Vision Safety Mask for use over eyeglasses or standard safety glasses with side shields.

SAFETY INSTRUCTIONS

This page depicts and describes safety symbols that may appear on this product. Read, understand, and follow all instructions on the machine before attempting to assemble and operate.

	Safety Alert	Precautions that involve your safety.
	Wear Eye Protection	Always wear safety goggles or safety glasses with side shields and a full face shield when operating this product.
	WARNING: Read Operator's Manual	To reduce the risk of injury, user must read and understand operator's manual before using this product.
	Beware of Sharp Blades.	Blades continue to rotate after the motor is switched off – Remove disabling device before maintenance. Switch off and remove detachable battery pack(or disabling device) before adjusting or cleaning.
	Keep Bystanders Away	Ensure that other people and pets remain at least 30m away from the mower when it is in use.
	Class II Construction	Double-insulated Construction.
IPX4	IP Symbol	Protection against ingress of water degree 4
V	Volt	Voltage
A	Amperes	Current
Hz	Hertz	Frequency (cycles per second)
W	Watt	Power
min	Minutes	Time
	Alternating Current	Type of current
	Direct Current	Type or a characteristic of current
n_0	No Load Speed	Rotational speed, at no load
... /min	Per Minute	Revolutions per minute

SAFETY RULES FOR CORDLESS LAWN MOWER

⚠ DANGER: This machine was built to be operated according to the rules for safe operation included in this manual. As with any type of power equipment, carelessness or error on the part of the operator can result in serious injury. This machine is capable of injuring hands and feet and throwing objects. Failure to observe all safety instructions could result in serious injury or death.

⚠ WARNING: When using cordless lawn mowers, basic safety precautions should always be followed to reduce the risk of fire, electric shock, and personal injury.

IMPORTANT

READ CAREFULLY BEFORE USE. KEEP FOR FUTURE REFERENCE.

**SAFETY RULES FOR CORDLESS LAWNMOWERS:
CAUTION-DO NOT TOUCH ROTATING BLADE!**

TRAINING

- Read the instructions carefully. Be familiar with the controls and the proper use of the appliance.
- Never allow children or people unfamiliar with these instructions to use the appliance. Local regulations may restrict the age of the operator.
- Never mow while people, especially children, or pets are nearby.
- The operator or user is responsible for accidents or hazards occurring to other people or their property.

PREPARATION

- While mowing, always wear substantial footwear and long trousers.
- Do not operate the appliance when barefoot or wearing open sandals. Avoid wearing clothing that is loose fitting or that has hanging cords or ties.
- Thoroughly inspect the area where the appliance is to be used and remove all stones, sticks, wires, bones, and other foreign objects.
- Before using, always visually inspect to see that the blades, blade bolts and cutter assembly are not worn or damaged. Replace worn or damaged blades and bolts in sets to preserve balance. Replace damaged or unreadable labels.

OPERATION

- Mow only in daylight or in good artificial light.

- Avoid operating the appliance in wet grass, where feasible.
- Always be sure of your footing on slopes.
- Walk, never run.
- For wheeled rotary mowers, mow across the face of slopes, never up and down.
- Exercise extreme caution when changing direction on slopes.
- Do not mow excessively steep slopes.
- Use extreme caution when reversing or pulling the appliance towards you.
- Stop the blade(s) if the appliance has to be tilted for transportation when crossing surfaces other than grass, and when transporting the appliance to and from the area to be mowed.
- Never operate the appliance with defective guards or shields, or without safety devices, for example deflectors and/or grass catchers, in place.
- Switch on the motor according to instructions and with feet well away from the blade(s).
- Do not tilt the appliance when switching on the motor, except if the appliance has to be tilted for starting. In this case, do not tilt it more than absolutely necessary and lift only the part which is away from the operator. Always ensure that both hands are in the operating position before returning the appliance to the ground.
- Do not start the machine when standing in front of the discharge opening.
- Do not put hands or feet near or under rotating parts. For rotary mowers, keep clear of the discharge opening at all times.
- Never pick up or carry an appliance while the motor is running.
- Switch off and remove detachable battery pack (or disabling device) and make sure that all moving parts have come to a complete stop before adjusting or cleaning:
 - Whenever you leave the machine;
 - Before clearing a blockage and unclogging chute;
 - Before checking, cleaning or working on the appliance;
 - After striking a foreign object. Inspect the appliance for damage and make repairs as necessary.
- If the appliance starts to vibrate abnormally (check immediately):
 - Inspect for damage;
 - Replace or repair any damaged parts;
 - Check for the tighten any loose parts.



EN

MAINTENANCE AND STORAGE

- Be careful during adjustment of the machine to prevent entrapment of the fingers between moving blades and fixed parts of the appliance.
- Keep all nuts, bolts, and screws tight to be sure the appliance is in safe working condition.
- Check the grass catcher frequently for wear or deterioration.
- Replace worn or damaged parts for safety.
- When servicing the blades be aware that, even though the power source is switched off, the blades can still be moved.
- For rotary mowers, ensure that only replacement cutting means of the right type are used.

PERSONAL SAFETY

Tragic accidents can occur if operator is not alert to the presence of children. Children are often attracted to the mower and mowing activity. They do not understand the dangers. Never assume that children will remain where you last saw them.

- Keep children out of the mowing area and under the watchful care of a responsible adult other than the operator.
- Be alert and turn the mower off if a child enters the area.
- Use extreme care when approaching blind corners, doorways, shrubs, trees, or other objects that may obscure your vision of a child who may run into the mower.
- Children should be supervised to ensure that they are not playing with the mower.
- Always turn the mower off when removing the battery pack from the tool. Stop the blade(s) if the appliance has to be tilted for transportation when crossing surfaces other than grass, and when transporting the appliance to and from the area to be mowed.

OPERATION

GENERAL OPERATION:

- Read this operator's manual carefully in its entirety before attempting to assemble this machine. Read, understand, and follow all instructions on the machine and in the manuals before operation. Be completely familiar with the controls and proper use of this machine before operating it. Keep this manual in a safe place for future and regular reference and for ordering replacement parts.
- Use the right appliance – Do not use the lawn mower for any job except that for which it is intended.
- Don't overreach – Keep proper footing and balance at all times.

- Objects struck by the lawn mower blade can cause severe injuries to persons. The lawn should always be carefully examined and cleared of all objects prior to each mowing.
- Before and while moving backwards, look behind and down for small children and other people.
- This machine is not a plaything. Therefore, exercise extreme caution at all times. Your unit has been designed to perform one job: to mow grass. Do not use it for any other purpose.
- Don't force the lawn mower – it will do the job better and more safely at the rate for which it was designed.
- Before using, always visually inspect to see that the blades, blade bolts and cutter assembly are not worn or damaged. Replace worn or damaged blades and bolts and any other components at the same time to preserve balance. Replace damaged or unreadable labels.
- Use extreme caution when reversing or pulling the appliance towards you.
- Thoroughly inspect the area where the equipment is to be used. Remove all stones, sticks, wire, toys and other foreign objects that could be tripped over or picked up and thrown by the blade. Thrown objects can cause serious personal injury. Plan your mowing pattern to avoid discharge of material toward roads, sidewalks, bystanders and the like. Also, avoid discharging material against walls or obstructions, which may cause discharged material to ricochet back toward the operator.
- To help avoid blade contact or an injury from thrown objects, stay in the operator zone behind the handles and keep children, bystanders, helpers and pets at least 30m from the mower while it is in operation. Stop the machine if anyone enters the area.
- Always wear safety glasses or safety goggles during operation and while performing an adjustment or repair to protect your eyes. Thrown objects that ricochet can cause serious injury to the eyes. Always use a face or dust mask if the operation is dusty.
- Dress properly – Do not wear loose clothing or jewelry. They can be caught in moving parts. Use of rubber gloves and footwear is recommended when working outdoors. Wear sturdy, rough-soled work shoes and close-fitting trousers and shirts. Shirts and trousers that cover the arms and legs and steel-toed shoes are recommended. Never operate this machine in bare feet, sandals, slippery or lightweight (e.g., canvas) shoes.



EN

- Do not put hands or feet near rotating parts or under the cutting deck. Contact with the blade can injure hands and feet.
- A missing or damaged discharge cover can cause blade contact or injuries from thrown objects.
- Many injuries occur as a result of the mower being pulled over the foot during a fall caused by slipping or tripping. Do not hold onto the mower if you are falling; release the handle immediately.
- Never pull the mower back toward you while you are walking. If you must back the mower away from a wall or obstruction first look down and behind to avoid tripping and then following these steps:
 - Step back from mower to fully extend your arms.
 - Be sure you are well balanced with sure footing.
 - Pull the mower back slowly, no more than half way toward you.
 - Repeat these steps as needed.
- Do not operate the mower while under the influence of alcohol or drugs.
- Never operate the appliance with defective guards or shields, or without safety devices, for example deflectors and/or grass catchers, in place.
- Stay alert – watch what you are doing. Use common sense. Do not operate the lawn mower when you are tired.
- The motor/blade control handle is a safety device. Never attempt to bypass its operation. Doing so makes the safety device inoperative and may result in personal injury through contact with the rotating blade. The motor/blade control handle must operate easily in both directions and automatically return to the disengaged position when released.
- Avoid dangerous environments – Don't use lawn mowers in damp or wet locations.
- Don't use in rain.
- Always be sure of your footing. A slip and fall can cause serious personal injury. If you feel you are losing your footing, release the motor/blade control handle immediately and the blade will stop rotating within three seconds.
- Stop the blade when crossing gravel drives, walks or roads.
- If the equipment should start to vibrate abnormally, stop the motor and check immediately for the cause. Vibration is generally a warning of trouble.
 - Inspect for damage;
 - Replace or repair any user replaceable damaged parts;
 - Check for and tighten any loose parts.

- Never operate the mower without the proper trailing shield, discharge cover, grass bag, mulching insert, side discharge chute, motor/blade control handle or other safety protective devices in place and working. Never operate the mower with damaged safety devices. Failure to do so can result in personal injury.
- If situations occur that are not covered in this manual, use care and good judgment. Contact EGO Customer Service for assistance.
- Use only with the battery packs and chargers listed below:

BATTERY PACK	CHARGER
BA1120E, BA2240E, BA2800, BA3360, BA4200	CH5500E, CH2100E

- The battery pack must be removed from the appliance before it is scrapped.
- The battery shall be disposed of safely.

OPERATION ON A SLOPE:

Slopes are a major factor related to slip-and-fall accidents, which can result in severe injury. Always be sure of your footing on slopes. Operation on slopes requires extra caution. If you feel uneasy on a slope, do not mow it.

Do:

- Mow across the face of slopes; never mow up and down. Exercise extreme caution when changing direction on slopes.
- Watch for holes, ruts, rocks, hidden objects, or bumps which can cause you to slip or trip. Tall grass can hide obstacles.

Do not:

- Do not mow near drop-offs, ditches or embankments; you could lose your footing or balance.
- Do not mow slopes greater than 15 degrees.
- Do not mow on wet grass. Unstable footing could cause slipping.



EN

SERVICE

⚠ WARNING: Grass bag components, the discharge cover, side discharge chute, mulching insert and trailing shield are subject to wear and damage, which could expose moving parts or allow objects to be thrown and could increase the risk of injury. For safety protection, frequently check all components and replace damaged components immediately with identical replacement parts, listed in this manual. Contact EGO Customer Service or your closest EGO service center, and repairs or replacements shall be performed by a qualified service technician!

- If the mower's built-in overload protection switch frequently trips, contact EGO Customer Service or your closest EGO service center.
- Do not wash the mower with a hose; avoid getting water in the motor and electrical connections.
- Remove the key and store the idle lawn mower indoors when not in use. Allow the motor to cool before storing it in any enclosure. The lawn mower should be stored in a dry, high, or locked-up enclosure, out of reach of children.
- When servicing, use only identical replacement parts listed in this manual. Use of parts that do not meet the original equipment specifications may lead to improper performance and compromised safety.
- Remove or disconnect the battery pack before servicing, cleaning, or removing material from the lawn mower.
- Follow instructions for lubricating and changing accessories.
- Keep handles dry, clean and free from oil and grease.
- To reduce a fire hazard, keep the motor cover free of grass, leaves and debris build-up.
- Check the blade and motor mounting bolts at frequent intervals for proper tightness. Also, visually inspect the blade for damage (e.g., bending, cracking and wear.). Replace the blade only with the identical replacement blade, listed in this manual.
- Maintain your mower with care – keep the mower blade sharp and clean for the best and safest performance. Mower blades are sharp and can cut. Wrap the blade or wear gloves and use extra caution when servicing it.
- Never remove or tamper with safety devices. Regularly check their proper operation. Never do anything to interfere with the intended function of a safety device or to reduce the protection provided by a safety device.
- Always stop the motor before making adjustments to a wheel or a cutting-height adjustment.

- After striking a foreign object, stop the motor, remove the key, and thoroughly inspect the mower for any damage. Repair the damage before operating the mower.
- Maintain or replace safety and instruction labels, as necessary. Contact EGO Customer Service or your closest EGO service center, and repairs or replacements shall be performed by a qualified service technician!
- **SAVE THESE INSTRUCTIONS.** Refer to them frequently and use them to instruct others who may use this tool. If you lend this tool to someone else, also lend these instructions to them to prevent misuse of the product and possibly injury.

BATTERY USE AND CARE

- To preserve natural resources, please recycle or dispose of batteries properly. This product contains lithium-ion batteries. Local or national laws prohibit disposal of lithium-ion batteries in ordinary rubbish. Consult your local waste authority for information regarding available recycling and/or disposal options.
- Upon removal of the battery pack for disposal or recycling, cover the battery pack's terminals with heavy-duty adhesive tape. Do not attempt to destroy or disassemble the battery pack or remove any of its components. Lithium-Ion batteries, must be recycled or disposed of properly. Also, never touch the terminals with metal objects and/or body parts as a short circuit may result. Keep away from children. Failure to comply with these warnings could result in fire and/or serious injury.
- **UNDER ABUSIVE CONDITIONS, LIQUID MAY BE EJECTED FROM THE BATTERY; AVOID CONTACT. IF CONTACT ACCIDENTALLY OCCURS, FLUSH WITH WATER. IF LIQUID CONTACTS EYES, ADDITIONALLY SEEK MEDICAL HELP.** Liquid ejected from the battery may cause irritation or burns.

SPECIFICATIONS

Model Number	LM2010E	LM2010E-SP
Self Propel System	No	Yes
Voltage	56 V	56 V
No-Load Speed	3150 /min	3150 /min
Cutting Height	25-95 mm	25-95 mm
Cutting Height Positions	6	6
Deck Size	51 cm	51 cm
Cutting Width	50 cm	50 cm

Grass Bag Volume	60 L	60 L
Mower Weight (without battery pack)	25.1 kg	28.1 kg
Blade Model	AB2001	AB2001
Measured sound power level L_{WA}	94 dB(A)	94.32 dB(A)
Sound pressure level at operator's ear L_{PA} $K=2.5$ dB(A)	82.5 dB(A)	85.6 dB(A)
Guaranteed sound power level L_{WA} (according to 2000/14/EC)	96 dB(A)	96 dB(A)
Valuation of vibration a_{Hv} $K=1.5$ m/s ²	Left handle	3.65 m/s ²
	Right handle	1.64 m/s ²
Blade brake	YES	YES

4. Switch Button
5. Grass Bag
6. Quick-adjust Knob
7. Cutting-height Adjustment Lever
8. Rear Wheel
9. Side Discharge Chute
10. Side Discharge Door
11. Mower Deck
12. LED Headlights
13. Front Wheel
14. Battery-pack Cover
15. Rear Handle
16. Rear-discharge Door
17. Self-propel Speed-control Lever
18. Trailing Shield
19. Safety Key Slot
20. Battery-release Button
21. Switch Button for LED Headlights
22. Power Indicator on the Mower
23. Mulching Insert
24. Side Discharge Chute

- The declared vibration total value has been measured in accordance with a standard test method and may be used for comparing one tool with another;
- The declared vibration total value may also be used in a preliminary assessment of exposure.

NOTICE: The vibration emission during actual use of the power tool can differ from the declared value in which the tool is used; In order to protect the operator, user should wear gloves and ear protectors in the actual conditions of use.

PACKING LIST

PART NAME	QUANTITY
Lawn mower	1
Grass bag	1
Grass bag frame	1
Mulching insert	1
Side-discharge chute	1
Safety key	2
Operator's manual	1

DESCRIPTION

KNOW YOUR MOWER (Fig. A & B & C & D & E)

1. Self-propel Trigger
2. Handle
3. Bail Switch (Switch Lever)

OPERATION

ASSEMBLING THE GRASS BAG

- 1) Slide the grass bag onto the frame (Fig. F).
- 2) Assemble the top clips to the frame (Fig. G). Then assemble the two side clips. Assemble the bottom clip lastly.
- 3) The completely assembled grass bag is shown in Fig. H.

ADJUSTING THE FOLDABLE HANDLE

⚠ WARNING: Do not attempt to start the mower until the handle has been locked at one of the three preset operating positions (UPPER OPERATING POSITION, MIDDLE OPERATING POSITION and LOWER OPERATING POSITION).

Your mower is shipped with the handle in the compact, LOCKED STORAGE POSITION (Fig. I).

- 1) Pull out the two quick-adjust knobs and turn 90° to release the handle from the LOCKED STORAGE POSITION.
- 2) Lift the handle. Gently pivot the handle backward until the handle reaches any one of the three different positions as shown in Fig. J. Turn the knobs 90° until you hear and feel the lock pin engage in the right position.



EN

Fig. J parts description see below:

J-1	
J-2	Middle Operating Position
J-3	Lower Operating Position
J-4	Locked Storage Position

NOTICE: The two quick-adjust knobs must be in the same height during the adjustment so that they can be engaged into the position at the same time.

**ATTACHING/REMOVING THE GRASS BAG/
MULCHING INSERT/SIDE DISCHARGE CHUTE**

WARNING: Do not at any time make any adjustment to the lawn mower without first stopping the motor, removing the safety key and waiting for the blade to stop rotating.

NOTICE: Attach any of the attachments to the lawn mower before mowing.

■ **To Attach/Remove the Grass Bag (Fig. K)**

Adjust the handle to the suitable operating position. Lift the rear-discharge door and hook the grass bag onto the pivot rod. To remove, just lift the grass bag up, off of the pivot rod. Lastly, release the rear-discharge door.

NOTICE: Remove the pre-installed mulching insert from the mower before attaching the grass bag to the mower.

■ **To Attach/Remove the Mulching Insert (Fig. L)**

Lift the rear-discharge door and insert the mulching insert into the mower. To remove, just pull it out. Lastly, release the rear-discharge door.

■ **To Attach/Remove the Side Discharge Chute (Fig. M)**

Lift the side-discharge door. Align the slot of the discharge chute with the knob of the discharge door and release the side-discharge door gently to make it rotate around the pivot rod until it rests on the discharge chute firmly. To remove, lift the side-discharge door, lift the side-discharge chute up, off the assembly knob of the door.

Fig. M parts description see below:

M-1	Side-discharge Door
M-2	Assembly Knob
M-3	Assembly Slot
M-4	Side-discharge Chute

ADJUSTING THE CUTTING HEIGHT (Fig. N)

WARNING: Keep your feet away from the deck when adjusting its height. The mower can be set to 6 cutting heights between 20mm and 90mm. Choose the proper

cutting height according to the type and condition of the grass.

NOTICE: When moving the tool, make sure the cutting height is adjusted at the position of 3 or higher. Failure to do so, could result in the damage of the blade.

**ATTACHING/DETACHING THE BATTERY PACK (Fig. O)
CHARGE BEFORE FIRST USE.**

WARNING: If any parts are broken or missing, do not attempt to attach the battery pack to the mower or operate the mower until the broken or missing parts are replaced. Failure to do so could result in serious injury.

■ **To Attach**

Push the battery pack into the battery compartment until you hear a "click".

■ **To Detach**

Depress the battery-release button in the battery compartment.

Fig. O parts description see below:

O-1	Safety Key Slot
O-2	Safety Key
O-3	Battery-release Button

NOTICE: Make sure that the latch on the mower snaps into place and that the battery pack is secured to the mower before starting operation.

STARTING/STOPPING THE MOWER

WARNING: The operation of any lawn mower can result in foreign objects being thrown into your or others' eyes, which can damage eyes severely. Always wear safety glasses while operating the mower or while performing any adjustments or repairs on the mower.

WARNING: Ensure that other people and pets remain at least 30m away from the mower when it is in use.

WARNING: The blade will continue to rotate for a few seconds after the mower is turned off. Allow the motor/blade to stop rotating before starting it again. Do not rapidly turn the mower off and on.

SAFETY KEY

In order to prevent accidental start-up or unauthorized use of your cordless mower, a removable safety key has been incorporated into the design of your mower. The mower will be completely disabled when the safety key has been removed from the mower.



⚠ DANGER: Rotating blades can cause serious injury. To prevent serious injury, remove the safety key when the mower is unattended, or when adjusting, cleaning, servicing, transporting, lifting, or storing the mower.

To Start (Fig. Q)

- 1) Attach the battery pack to the mower, insert the safety key into the key slot and close the battery cover (Fig. O).
- 2) According to Fig. P, depress the switch button down.
- 3) With the switch button depressed, pull the bail switch upward to the handle and release the switch button.

To Stop (Fig. R)

- 1) Fully release the bail switch.
- 2) The electric brake in the Automatic Braking Mechanism will stop the blade rotation within 3 seconds of the bail switch release.

VARIABLE-SPEED SELF-PROPEL SYSTEM (only model LM2010E-SP)

LM2010E-SP mower is equipped with variable-speed self-propel capability. This system is independent of the blade On-Off switch; it is not dependent on blade rotation.

To operate the system without blade rotation, pull the self-propel lever to the handle.

To turn the self propel off, release the self-propel lever.

The system has variable speed. To increase the speed, move the self-propel speed-control lever forwards. To decrease the speed, move the self-propel speed-control lever backwards (Fig. S).

To operate with the blade rotating for cutting:

1. Start the mower.
2. While holding the bail switch against the handle with left hand, pull the self-propel lever to the handle with your right hand.
3. Hold both the bail switch and the self-propel lever simultaneously against the handle with your right hand and use your left hand to adjust the self-propel speed-control lever to choose a proper speed.

⚠ WARNING: To reduce the risk of injury, never attempt to override the operation of the switch or self propel system. Use the self propel for its intended purpose only.

LED HEADLIGHTS (Fig. A-12)

Press the switch button (Fig. D-21) to turn on/off the LED headlights in the front of the battery compartment.

POWER INDICATOR ON THE MOWER (Fig. D-22)

The mower is equipped with a power indicator to indicate the charge level of the battery pack and the working

status of the mower. The power indicator will illuminate when the blade is rotating or when the LED headlights are turned on.

Power Indicator on Mower	Meaning	Action
Shining green	Mower is working properly; battery has at least 15% of its charge	N/A
Shining red	Low battery	Stop the mower and charge the battery pack
Flashing red	The battery is nearly depleted	Stop the mower and charge the battery pack
Shining orange	The mower or the battery pack is overheated	Remove the battery from the mower, move them to the shade and cool them at least 15 minutes
Flashing orange	The mower is overloaded	Slow down your pace or raise up the cut height to decrease the load

MOWER OVERLOAD PROTECTION

To prevent overload conditions, do not try to remove too much grass at one time. Slow down your cutting pace or raise the cut height.

Your mower has built-in overload circuit protection. When the mower is overloaded, the motor will stop and the power indicator on the mower will flash orange. Remove the battery pack from the mower. Check to see if grass has collected beneath the deck and clear it if necessary, then install the battery and restart the mower.

BATTERY HIGH TEMPERATURE PROTECTION

The battery pack will generate heat during operation. The heat dissipates more slowly in hot weather. If the battery temperature exceeds 70°C during operation, the protection circuit will immediately turn off the mower to protect the battery pack from damage. The power indicator on the mower will shine orange and the LED on the battery will flash orange. Release the bail handle, wait until the battery pack cools down to approximately 67°C, then restart the mower.

MAINTENANCE



EN

⚠ WARNING: To avoid serious personal injury, always remove the safety key and battery pack from the mower before cleaning or performing any maintenance.

⚠ WARNING: When servicing, use only identical replacement parts. Use of any other parts may create a hazard or cause product damage. To ensure safety and reliability, all repairs should be performed by a qualified service technician.

CLEANING THE MOWER

⚠ WARNING: Always remove the safety key and battery pack when servicing or transporting the mower.

The underside of mower deck should be cleaned after each use, as grass clippings, leaves, dirt and other debris will accumulate. This accumulation is undesirable, as it will promote rust and corrosion on metal parts and reduce the cutting efficiency of the mower.

Remove any build-up of grass and leaves on or around the drive shaft (LM2010E-SP) and the motor fan (do not use water). Wipe the mower clean with a damp cloth.

REMOVING/INSTALLING THE BLADE

⚠ WARNING: Always protect your hands by wearing heavy gloves or wrapping the cutting edges with rags or other materials when performing any maintenance on the mower blade.

■ To Remove the Blade (Fig. V)

NOTICE: If the bolt rotates with the motor shaft when loosening the bolt, turn the fan by hand to align the through holes in the fan with the holes in the blade, and place another metal rod into the aligned holes.

■ To Install the Blade

Following the assembly sequence in Fig. U, with the fan blade towards deck and the printed blade side towards outside, align the through holes in the fan with the holes in the blade (Fig. W) and then tighten the blade as Fig. X shown.

Fig. U & V parts description see below:

U-1	Fan	U-5	Bolt
U-2	Inner Flange	V-1	Stabilizer 1
U-3	Outer Flange	V-2	Stabilizer 2
U-4	Blade	V-3	14mm Wrench

NOTICE: The recommended torque for tightening the blade bolt is 49-59Nm.

STORING THE MOWER

■ Remove the battery pack from the mower and store it in a cool, dry and clean location. Do not store it next to corrosive materials, such as fertilizer or rock salt.

■ Lubricate the mower.
■ Store the mower in a covered, enclosed space, that is cool and dry and out of the reach of children.

■ Do not cover the lawn mower with a solid plastic sheet. Plastic coverings trap moisture around the mower, which causes rust and corrosion.

■ The mower can be stored upright or flat (Fig. Y).

⚠ WARNING: If the mower begins to tip over from the upright position, mower damage or personal injury may result. Always keep the mower stable and out of the reach of children when it is in the upright position. If possible, lay it flat for storage.



Protecting the environment



Do not dispose of electrical equipment, battery charger and batteries/rechargeable batteries into household waste!

According to the European law 2012/19/EU, electrical and electronic equipment that is no longer usable, and according to the European law 2006/66/EC, defective or used battery packs/batteries, must be collected separately.

If electrical appliances are disposed of in landfills or dumps, hazardous substances can leak into the groundwater and get into the food chain, damaging your health and well-being.

EC DECLARATION OF CONFORMITY

We, CHERVON EUROPE LTD.

47 CASTLE STREET, READING, RG1 7SR, UNITED KINGDOM

Declare that the product **56V lithium-ion cordless mower LM2010E/LM2010E-SP** complies with the essential health and safety requirements of the following Directives:

2006/42/EC, 2004/108/EC, 2011/65/EU, 2000/14/EC

Standards and technical specifications referred to:

EN 60335-1, EN 60335-2-77, EN 62233, EN 55014-1, EN 55014-2

	LM2010E	LM2010E-SP
Measured Sound Power Level:	94 dB(A)	94.32 dB(A)
Guaranteed Sound Power Level:	96 dB(A)	96 dB(A)

Peter Melrose
Vice President of Chervon Europe

Dong Jianxun
Quality Manager of Chervon

* (Authorized representative for CHERVON and responsible for technical documentation)

01/01/2016

EN



TROUBLESHOOTING

EN

⚠ WARNING: Always remove the safety key and battery pack when servicing or transporting the mower. Always protect your hands by wearing heavy gloves or wrapping the cutting edges with rags or other materials when performing any maintenance on the mower blade.

PROBLEM	CAUSE	SOLUTION
The mower fails to start	<ul style="list-style-type: none"> ■ The battery pack is depleted. ■ The battery pack is not mounted in place in the battery compartment. ■ The battery or mower circuitry is too hot. (The power indicator on the mower will illuminate in orange for 10 seconds) ■ The side rails are not extended to their maximum length and the clamps are not locked in position. ■ The handle is not set at one of the three operating positions. ■ The mower deck is clogged with grass and debris. 	<ul style="list-style-type: none"> ■ Charge the battery pack. ■ Attach the battery pack to the mower; press it until you hear a click ■ Allow the battery pack or mower to cool until the temperature drops below 67°C. ■ Fully extend the handle and lock both clamps. ■ Adjust the handle to one of the three operating positions. ■ Clean the mower deck and make certain that the blade has freedom of movement.
The mower cuts unevenly	<ul style="list-style-type: none"> ■ The blade is dull. ■ The cutting height is not set properly. ■ The blade is assembled incorrectly. 	<ul style="list-style-type: none"> ■ Sharpen or replace the blade. ■ Raise the deck to a higher cutting height setting. ■ Reassemble the blade, following the section "INSTALLING THE BLADE" in this manual.
The mower stops while mowing	<ul style="list-style-type: none"> ■ The battery pack is depleted. ■ Mower is in overload condition. ■ Mower deck is clogged with grass and debris. ■ The battery or mower circuitry is too hot. (The power indicator on the mower will illuminate orange for 10 seconds.) ■ The side rail is retracted a little by the pushing force applying on the handle. 	<ul style="list-style-type: none"> ■ Charge the battery pack. ■ Raise the cutting height or slow down the mowing. ■ Unclog the mower deck. Raise the cutting height, or cut a narrow swath. ■ Allow the battery pack or mower to cool until the temperature drops below 67°C. ■ Unlock the clamps. Fully extend the side rails and lock the clamps again.



PROBLEM	CAUSE	SOLUTION
The mower does not mulch properly	<ul style="list-style-type: none">Wet grass clippings are sticking to the underside of the deck.The mower is set to cut too much grass at once.	<ul style="list-style-type: none">Wait until the grass dries before mowing.Raise the deck to a higher cutting height setting.
There is excessive vibration	<ul style="list-style-type: none">The cutting blade is loose.The cutting blade is unbalanced.The cutting blade is bent.The motor shaft is bent.	<ul style="list-style-type: none">Tighten the blade bolt.Balance the blade following the instructions.Replace the blade.Contact the service center.
The handle locking clamps cannot be closed in position.	<ul style="list-style-type: none">The side rails are not fully extended.	<ul style="list-style-type: none">Fully extend the side rails, then lock the clamps.

EN

WARRANTY

EGO WARRANTY POLICY

Please visit the website egopowerplus.com for full terms and conditions of the EGO Warranty policy.

LESEN SIE ALLE ANWEISUNGEN!



LESEN UND BEACHTEN SIE DIE BEDIENUNGSANLEITUNG

DE

⚠ Restrisiko! Menschen mit elektronischen Geräten, wie z.B. Herzschrittmachern, sollten ihren Arzt konsultieren, bevor sie dieses Gerät verwenden. Die Bedienung von Elektrogeräten in unmittelbarer Nähe zu Herzschrittmachern kann zu Interferenzen und Störungen des Schrittmachers führen.

⚠ WARNUNG: Um die Sicherheit und Zuverlässigkeit zu gewährleisten, sollten alle Reparaturen und der Austausch von Teilen nur von qualifizierten Servicetechnikern durchgeführt werden.

Bestimmungsgemäße Verwendung & Zweckentfremdung: Das Gerät ist nur für das Mähen von Gras in Privatgärten vorgesehen. Es darf nicht zum Mähen von ungewöhnlich hohem, trockenem oder feuchtem Gras wie beispielsweise Weidegras oder zum Zerkleinern von Blättern eingesetzt werden. Das Gerät darf nur für den dafür vorgesehenen Zweck eingesetzt werden. Jeder andere Geräteinsatz gilt als Zweckentfremdung.

WARNSYMBOLS

Der Zweck von Warnsymbolen besteht darin, Ihre Aufmerksamkeit auf mögliche Gefahren zu lenken. Die Warnsymbole und deren Erklärungen verdienen Ihre vollste Aufmerksamkeit und Beachtung. Durch die Warnsymbole allein sind die Gefahren noch nicht ausgeschaltet. Die Anweisungen und Warnhinweise stellen keinen Ersatz für angemessene Unfallverhütungsmaßnahmen dar.

⚠ WARNUNG: Vor der Benutzung des Geräts sollten alle Sicherheitsanweisungen in dieser Bedienungsanleitung gelesen und bekannt sein. Das gilt auch für sämtliche Warnhinweise, die mit den Vermerken „GEFAHR“, „WARNUNG“ und „VORSICHT“ gekennzeichnet sind. Die Nichtbeachtung sämtlicher Anweisungen kann zu Stromschlägen, Feuer und/oder schweren Verletzungen führen.

SICHERHEITSHINWEISE

Auf dieser Seite werden die Warnsymbole vorgestellt und beschrieben, die sich unter Umständen an dem Gerät befinden. Vor dem Zusammenbau und der Inbetriebnahme müssen sämtliche Anweisungen am Gerät gelesen und genau befolgt werden.

	Sicherheitswarnung	Vorsichtsmaßnahmen zu Ihrer Sicherheit
	Augenschutz tragen	Tragen Sie immer eine Schutzbrille, möglichst mit Seitenschutz, und einen Gesichtsschutz, wenn Sie das Gerät bedienen.
	WARNUNG: Bedienungsanleitung lesen	Um das Verletzungsrisiko zu verringern, muss der Benutzer die Bedienungsanleitung vor der Benutzung des Gerätes gelesen und verstanden haben.
	Vorsicht - scharfe Messer	Die Messer rotieren nach dem Ausschalten des Motors weiter. Vor Wartungsarbeiten muss die Deaktivierungsvorrichtung entfernt werden. Schalten Sie das Gerät aus und nehmen Sie den abnehmbaren Akku (oder die Deaktivierungsvorrichtung) ab, bevor Sie Einstellungen vornehmen oder das Gerät reinigen.
	Unbefugte Personen fernhalten	Stellen Sie sicher, dass andere Personen und Haustiere mindestens 30m vom Rasenmäher entfernt sind, wenn er in Betrieb ist.
	Schutzklasse II	Doppelt isolierte Konstruktion
IPX4	IP-Symbol	Grad-4-Schutz gegen das Eindringen von Wasser
V	Volt	Spannung
A	Ampere	Strom
Hz	Hertz	Frequenz
W	Watt	Leistung
min	Minuten	Zeit
	Wechselstrom	Stromzufuhr
	Gleichstrom	Art oder Eigenschaft der Stromzufuhr
n_0	Leerlaufdrehzahl	Drehzahl im Leerlauf
... /min	pro Minute	Umdrehungen pro Minute

SICHERHEITSREGELN FÜR DEN AKKU-RASENMÄHER

⚠ VORSICHT: Dieses Gerät wurde dazu konstruiert, um so bedient zu werden, wie es in den Regeln für einen sicheren Betrieb in dieser Bedienungsanleitung beschrieben wird. Wie bei jedem anderen Elektrogerätetyp kann Fahrlässigkeit oder ein Fehler vonseiten des Benutzers zu schweren Verletzungen führen. Dieses Gerät kann Hände und Füße verletzen und Gegenstände umherschleudern. Wenn nicht alle Sicherheitshinweise beachtet werden, können schwere oder tödliche Verletzungen verursacht werden.

WARNUNG: Beim Gebrauch von Akku-Rasenmähern sollten stets grundlegende Sicherheitsvorkehrungen beachtet werden, um Verletzungs-, Brand- und Stromschlaggefahren einzudämmen.

WICHTIG!

VOR DER BENUTZUNG SORGFÄLTIG LESEN. ZUM SPÄTEREN NACHSCHLAGEN AUFBEWAHREN.

SICHERHEITSREGELN FÜR AKKU-RASENMÄHER:

VORSICHT - ROTIERENDE MESSER NICHT BERÜHREN!

SCHULUNG

- Lesen Sie die Anweisungen aufmerksam. Machen Sie sich mit den Bedienelementen und der richtigen Handhabung des Gerätes vertraut.
- Allen Personen, denen die vorliegenden Anweisungen nicht bekannt sind, muss die Nutzung des Gerätes untersagt werden. Für das Mindestalter des Benutzers gelten möglicherweise örtliche Vorschriften.
- Setzen Sie den Mäher nicht in Betrieb, solange sich noch Personen, insbesondere Kinder oder Haustiere in der Nähe aufhalten.
- Für Unfälle, Personen- oder Sachschäden Dritter ist der Bediener oder Nutzer des Gerätes verantwortlich.

VORBEREITUNG

- Tragen Sie beim Mähen immer festes Schuhwerk und lange Hosen.
- Setzen Sie das Gerät nicht in Betrieb, wenn Sie barfuß sind oder offene Sandalen tragen. Lockere sitzende Kleidung oder Kleidungsstücke mit herabhängenden Kordeln oder Bändern sind zu vermeiden.
- Untersuchen Sie gründlich den Bereich, indem Sie das Gerät einsetzen möchten, und entfernen Sie alle Steine, Stöcke, Drähte, Knochen und andere Fremdkörper.

- Führen Sie vor der Benutzung immer eine Sichtprüfung durch, um sicherzustellen, ob die Messer, Messerschrauben und Schneidvorrichtung nicht abgenutzt oder beschädigt sind. Tauschen Sie abgenutzte oder beschädigte Messer und Schrauben immer komplett im Satz aus, um die Auswuchtung beizubehalten. Wechseln Sie beschädigte oder unleserliche Etiketten aus.

BEDIENUNG

- Mähen Sie nur bei Tageslicht oder unter gutem künstlichen Licht.
- Benutzen Sie das Gerät nicht bei nassem Gras, sofern dies möglich ist.
- Achten Sie an Hängen immer auf einen festen Stand.
- Nur gehen, niemals rennen.
- Mähen Sie bei einem Sichelmäher mit Rädern immer quer zum Hang und niemals auf- und abwärts.
- Seien Sie besonders vorsichtig, wenn Sie an Hängen die Richtung ändern.
- Mähen Sie keine extrem steilen Hänge.
- Seien Sie besonders vorsichtig, wenn Sie rückwärts mähen oder das Gerät zu sich heran ziehen.
- Halten Sie das (die) Messer an, wenn das Gerät zum Transport bei der Überquerung von anderen Flächen als Rasen gekippt werden muss und wenn Sie das Gerät von und zum Bereich, der gemäht werden soll, transportieren.
- Verwenden Sie das Gerät niemals mit defekten Abdeckungen und Schutzvorrichtungen oder ohne Sicherheitsvorrichtungen, wie z.B. ohne Ablenkleche und/oder Grasfangvorrichtung.
- Schalten Sie den Motor gemäß Anweisungen ein und halten Sie Ihre Füße von dem (den) Messer(n) fern.
- Kippen Sie das Gerät beim Einschalten des Motors nicht; es sei denn, das Gerät muss zum Starten gekippt werden. In diesem Fall kippen Sie es nur so weit, wie es unbedingt erforderlich ist, und heben Sie nur die vom Benutzer abgewandte Seite hoch. Stellen Sie stets sicher, dass beide Hände in Bedienposition sind, bevor Sie das Gerät zurück auf den Boden stellen.
- Schalten Sie das Gerät nicht ein, wenn Sie vor der Auswurföffnung stehen.
- Reichen Sie mit den Händen oder Füßen nicht in die Nähe oder unter die rotierenden Teile. Halten Sie sich bei Sichelmähern immer von der Auswurföffnung fern.
- Tragen oder heben Sie das Gerät niemals an, während der Motor läuft.

- Schalten Sie das Gerät aus und nehmen Sie den Akku (bzw. die Deaktivierungsvorrichtung) ab und stellen Sie sicher, dass alle beweglichen Teile komplett zum Stillstand gekommen sind, bevor Sie das Gerät einstellen oder reinigen:
- Beim Zurücklassen des Geräts
- Vor dem Beseitigen von Blockaden und dem Freimachen des Auswurfs;
- Vor dem Prüfen, Reinigen oder Arbeiten am Gerät
- Nach einem Zusammenstoß mit einem Fremdkörper Untersuchen Sie das Gerät auf Beschädigungen und führen Sie die notwendigen Reparaturen aus.
- Wenn das Gerät ungewöhnlich stark zu vibrieren beginnt (sofort überprüfen)
- Auf Schäden prüfen
- Beschädigte Teile ersetzen oder reparieren
- Gelockerte Teile wieder festziehen

WARTUNG UND LAGERUNG

- Seien Sie vorsichtig, wenn Sie Einstellungen an dem Gerät vornehmen. Es besteht die Gefahr, dass Sie sich die Finger zwischen den beweglichen Messern und den festen Teilen des Gerätes einklemmen.
- Achten Sie darauf, dass alle Schrauben, Muttern und Bolzen fest angezogen sind. Nur kann für eine entsprechende Gerätesicherheit gesorgt werden.
- Überprüfen Sie die Grasfangvorrichtung regelmäßig auf Verschleiß oder Abnutzung.
- Wechseln Sie abgenutzte oder beschädigte Teile aus Sicherheitsgründen aus.
- Denken Sie bei der Wartung der Messer daran, dass sich diese immer noch bewegen, auch wenn die Energiequelle ausgeschaltet wurde.
- Stellen Sie bei Sichelrasenmähern sicher, dass nur Ersatz-Schneidvorrichtungen vom korrekten Typ verwendet werden.

PERSONENSICHERHEIT

Tragische Unfälle können sich ereignen, wenn der Benutzer nicht auf die Gegenwart von Kindern achtet. Kinder fühlen sich von Rasenmähern und von den Mäharbeiten häufig angezogen. Sie sind sich der Gefahren nicht bewusst. Gehen Sie niemals davon aus, dass Kinder dort bleiben, wo Sie sie zuletzt gesehen haben.

- Halten Sie Kinder vom Mähbereich fern. Sie sollten von einem anderen verantwortlichen Erwachsenen als dem Benutzer beaufsichtigt werden.
- Seien Sie wachsam und schalten Sie den Rasenmäher aus, wenn sich ein Kind dem Bereich nähert.

- Lassen Sie besondere Vorsicht walten, wenn Sie sich unübersichtlichen Ecken, Eingängen, Büschen, Bäumen oder anderen Objekten nähern, die Ihnen die Sicht auf ein Kind versperren könnten. Es besteht Gefahr, dass das Kind in den Rasenmäher läuft.
- Kinder sollten beaufsichtigt werden, um sicherzustellen, dass sie nicht mit dem Rasenmäher spielen.
- Schalten Sie den Rasenmäher immer aus, wenn Sie den Akku aus dem Gerät entfernen. Halten Sie das (die) Messer an, wenn das Gerät zum Transport bei der Überquerung von anderen Flächen als Rasen gekippt werden muss und wenn Sie das Gerät von und zum Mähbereich transportieren.

BEDIENUNG

ALLGEMEINE BEDIENUNG:

- Lesen Sie die Bedienungsanleitung vor der Montage des Geräts sorgfältig und vollständig durch. Vor der Inbetriebnahme müssen sämtliche Anweisungen am Gerät und in der Bedienungsanleitung gelesen und genau befolgt werden. Machen Sie sich umfassend mit den Bedienelementen und dem sachgemäßen Gebrauch dieses Gerätes vertraut, bevor Sie es benutzen. Bewahren Sie diese Bedienungsanleitung an einem sicheren Ort für späteres und regelmäßiges Nachlesen und die Bestellung von Ersatzteilen auf.
- Verwenden Sie das richtige Gerät – Verwenden Sie den Rasenmäher zu keinem anderen Zweck als den, für den er vorgesehen ist.
- Nicht zu weit nach vorn strecken – achten Sie stets auf einen festen Stand und halten Sie das Gleichgewicht.
- Gegenstände, die vom Messer des Rasenmähers getroffen werden, können schwere Verletzungen hervorrufen. Der Rasen sollte vor jedem Mähen stets sorgfältig untersucht und von allen Fremdgegenständen befreit werden.
- Vor und beim Zurücksetzen immer nach hinten und nach unten schauen, ob sich dort kleine Kinder und andere Personen aufhalten.
- Dieses Gerät ist kein Spielzeug. Seien Sie deshalb immer extrem vorsichtig. Das Gerät ist ausschließlich für das Mähen von Gras vorgesehen. Verwenden Sie es zu keinem anderen Zweck.
- Üben Sie keinen Druck auf den Rasenmäher aus - er lässt sich für die Arbeiten besser und sicherer in dem jeweils vorgesehenen Tempo einsetzen.
- Führen Sie vor der Benutzung immer eine Sichtprüfung durch, um sicherzustellen, ob die Messer, Messerschrauben und Schneidvorrichtung nicht abgenutzt oder beschädigt sind. Tauschen Sie abgenutzte oder beschädigte Messer und Schrauben immer komplett im Satz aus, um die Auswuchtung beizubehalten. Wechseln Sie beschädigte oder unleserliche Etiketten aus.

- Seien Sie besonders vorsichtig, wenn Sie rückwärts mähen oder das Gerät zu sich heran ziehen.
- Untersuchen Sie den Bereich gründlich, in dem das Gerät eingesetzt werden soll. Entfernen Sie alle Steine, Stöcke, Kabel, Spielzeuge und andere Fremdkörper, über die man stolpern kann oder die vom Gerät aufgenommen und vom Messer weggeschleudert werden können. Umhergeschleuderte Objekte können schwere Verletzungen verursachen. Planen Sie Ihr Mähschema, um zu vermeiden, dass das Schnittgut auf Straßen, Fußgängerwege, Passanten und andere verteilt wird. Vermeiden Sie zudem, Schnittgut gegen Wände oder Hindernisse auszuwerfen, da ausgeworfenes Material abprallen und auf den Benutzer zurück geschleudert werden kann.
- Um eine Berührung mit dem Messer oder Verletzungen durch herausgeschleuderte Objekte zu vermeiden, bleiben Sie in der Bedienzone hinter dem Lenkholm und halten Sie Kinder, Passanten und Haustiere mindestens 30m vom Rasenmäher fern, solange er in Betrieb ist. Halten Sie das Gerät an, wenn jemand den Bereich betritt.
- Tragen Sie beim Betrieb, Einstellen oder Reparieren des Geräts immer eine Schutzbrille, um Ihre Augen zu schützen. Herausgeschleuderte und zurückprallende Gegenstände können schwere Verletzungen an den Augen verursachen. Tragen Sie eine Gesichts- oder Staubschutzmaske, wenn die Staubbelastung bei der Arbeit groß ist.
- Tragen Sie geeignete Kleidung – Tragen Sie keine weite Kleidung oder Schmuck. Es besteht Gefahr, dass sie sich in den beweglichen Teilen verfängt. Bei Arbeiten im Freien werden Gummihandschuhe und festes Schuhwerk empfohlen. Tragen Sie robuste Arbeitsschuhe mit einer groben Sohle und eng sitzende Hosen und Hemden. Es werden Hemden und Hosen empfohlen, die Arme und Beine bedecken, und Schuhe mit Stahlkappen. Benutzen Sie dieses Gerät niemals barfuß, in Sandalen, rutschigen oder leichten Schuhen (z. B. aus Stoff).
- Reichen Sie mit den Händen oder Füßen nicht in die Nähe rotierender Teile oder unter das Mähwerk. Die Berührung des Messers kann zu Verletzungen an Händen und Füßen führen.
- Bei einer fehlenden oder beschädigten Auswurfabdeckung besteht die Gefahr, dass die Messer berührt werden oder Verletzungen durch herausgeschleuderte Gegenstände entstehen.
- Viele Verletzungen werden verursacht, weil der Rasenmäher durch einen Sturz beim Ausrutschen oder Stolpern über den Fuß gezogen wird. Halten Sie den Rasenmäher nicht fest, wenn Sie stürzen; lassen Sie den Lenkholm sofort los.
- Ziehen Sie den Rasenmäher niemals rückwärts in Ihre Richtung, während Sie gehen. Wenn Sie den Rasenmäher rückwärts von einer Wand oder einem Hindernis bewegen müssen, blicken Sie erst nach unten und nach hinten, um zu vermeiden, dass Sie stolpern, und folgen Sie dann diesen Schritten:
 - Entfernen Sie sich einen Schritt vom Rasenmäher, um Ihre Arme ganz ausstrecken zu können.
 - Achten Sie darauf, dass Sie problemlos das Gleichgewicht halten können und einen festen Stand haben.
 - Ziehen Sie den Rasenmäher langsam rückwärts, nicht weiter als die halbe Entfernung in Ihre Richtung.
 - Wiederholen Sie diese Schritte bei Bedarf.
- Benutzen Sie den Rasenmäher nicht, wenn Sie unter dem Einfluss von Alkohol oder Drogen stehen.
- Verwenden Sie das Gerät niemals mit defekten Abdeckungen und Schutzvorrichtungen oder ohne Sicherheitsvorrichtungen, wie z.B. ohne Ablenkbleche und/oder Grasfangvorrichtung.
- Bleiben Sie wachsam – Achten Sie auf das, was Sie tun. Seien Sie vernünftig. Benutzen Sie den Rasenmäher nicht, wenn Sie müde sind.
- Der Motor-/Messerkupplungshebel ist eine Sicherheitsvorrichtung. Versuchen Sie niemals seine Funktion zu umgehen. Dadurch wird die Sicherheitsvorrichtung funktionsunfähig, was zu Verletzungen durch den Kontakt mit dem rotierenden Messer führen kann. Der Motor-/ Messerkupplungshebel muss sich leicht in beide Richtungen bedienen lassen und automatisch in die ausgerückte Stellung zurückkehren, wenn er losgelassen wird.
- Vermeiden Sie gefährliche Umgebungen – Benutzen Sie den Rasenmäher nicht an feuchten oder nassen Stellen.
- Benutzen Sie das Gerät nicht im Regen.
- Achten Sie stets auf einen festen Stand. Ausrutschen und Stürzen kann zu schweren Verletzungen führen. Wenn Sie das Gefühl haben, dass Sie den Halt verlieren, lassen Sie den Motor-/ Messerkupplungshebel sofort los. Innerhalb von drei Sekunden kommt das Messer dann zum Stillstand.
- Halten Sie das Messer an, wenn Sie Schotterereinfahrten, -wege oder -straßen überqueren.
- Falls das Gerät ungewöhnlich zu vibrieren beginnt, schalten Sie den Motor aus und suchen Sie sofort nach der Ursache. Vibrationen weisen im Allgemeinen auf Probleme hin.
 - Auf Schäden prüfen

- Beschädigte und vom Benutzer austauschbare Teile ersetzen oder reparieren
- Gelockerte Teile wieder festziehen
- Wenn die zugehörige hintere Schutzverkleidung, die Auswurfabdeckung, der Grasfangsack, Mulcheinsatz, der Seitenauswurf, der Motor-/Messerkupplungshebel oder die anderen Schutzvorrichtungen nicht montiert und in betriebsfähigem Zustand sind, darf der Rasenmäher nicht in Betrieb gesetzt werden. Benutzen Sie den Rasenmäher niemals mit beschädigten Schutzvorrichtungen. Andernfalls kann es zu schweren Verletzungen kommen.
- Falls Situationen auftreten, die nicht in dieser Bedienungsanleitung behandelt werden, gehen Sie vorsichtig und vernünftig vor. Der EGO-Kundendienst hilft Ihnen gern weiter.
- Nur die nachstehenden Akkus und Ladegeräte verwenden:

AKKU	LADEGERÄT
BA1120E, BA2240E, BA2800, BA3360, BA4200	CH5500E, CH2100E

- Vor dem Entsorgen muss der Akku aus dem Gerät entfernt werden.
- Der Akku muss sicher entsorgt werden.

BENUTZUNG AN EINEM HANG:

Hänge sind eine der Hauptursachen bei Unfällen durch Ausrutschen und Stürzen, die zu schweren Verletzungen führen können. Achten Sie an Hängen immer auf einen festen Stand. Rasenmähen an Hängen erfordert besondere Vorsicht. Wenn Sie ein ungutes Gefühl an einem Hang haben, mähen Sie ihn nicht.

Richtig:

- Mähen Sie quer zu Hängen; mähen Sie niemals den Hang auf- und abwärts. Seien Sie besonders vorsichtig, wenn Sie an Hängen die Richtung ändern.
- Achten Sie auf Löcher, Furchen, Steine, verdeckte Gegenstände oder Bodenwellen, die Sie zum Ausrutschen oder Stürzen bringen können. Hindernisse können von hohem Gras verdeckt werden.

Falsch:

- Mähen Sie nicht in der Nähe eines Abhangs oder Ufers; Sie könnten dabei den Halt oder das Gleichgewicht verlieren.
- Hänge mit mehr als 15 Grad dürfen nicht gemäht werden.
- Mähen Sie kein nasses Gras. Ein unsicherer Stand kann zum Ausrutschen führen.

WARTUNG

⚠️ WARNUNG: Bestandteile des Grasfangsacks, die Auswurfabdeckung, der Seitenauswurf, der Mulcheinsatz und die hintere Schutzverkleidung können sich abnutzen und beschädigt werden. Dadurch liegen bewegliche Teile dann frei oder es besteht die Möglichkeit, dass Gegenstände umhergeschleudert werden, sodass erhöhte Verletzungsgefahr besteht. Prüfen Sie sicherheitshalber alle Geräteteile regelmäßig und ersetzen Sie beschädigte Teile sofort durch identische Ersatzteile, die in dieser Bedienungsanleitung aufgeführt werden. Wenden Sie sich an den EGO-Kundendienst oder das nächstgelegene EGO-Servicezentrum. Reparaturen oder das Austauschen von Bestandteilen sollten Sie einem qualifizierten Servicetechniker überlassen!

- Wenn der eingebaute Überlastungsschutz des Rasenmähers ständig ausgelöst wird, wenden Sie sich an den EGO-Kundendienst oder das nächstgelegene EGO-Servicezentrum.
- Waschen Sie den Rasenmäher nicht mit dem Wasserschlauch; lassen Sie kein Wasser in den Motor und die elektrischen Verbindungen gelangen.
- Entfernen Sie den Schlüssel und lagern Sie den ausgeschalteten Rasenmäher im Gebäude, wenn er nicht benutzt wird. Lassen Sie den Motor abkühlen, bevor Sie das Gerät in einem geschlossenen Raum lagern. Der Rasenmäher sollte an einem trockenen, hoch gelegenen Platz oder in einem abgeschlossenen Raum außer Reichweite von Kindern aufbewahrt werden.
- Bei Reparaturen dürfen nur identische Ersatzteile, die in dieser Bedienungsanleitung aufgeführt sind, verwendet werden. Bei der Verwendung von Teilen, die von den technischen Daten des Originalgeräts abweichen, ist mit fehlerhafter Leistung und mangelnder Sicherheit zu rechnen.
- Entfernen oder trennen Sie den Akku, bevor Sie den Rasenmäher reparieren, reinigen oder Schnittgut aus dem Rasenmäher entfernen.
- Befolgen Sie die Anweisungen zum Ölen und Wechseln des Zubehörs.
- Halten Sie die Griffe/Holme trocken, sauber und frei von Öl und Fett.
- Um die Gefahr eines Brandes zu reduzieren, halten Sie die Motorabdeckung frei von Gras, Blättern und Ablagerungen.
- Prüfen Sie regelmäßig, ob die Schrauben des Messers und des Motors fest angezogen sind. Prüfen Sie das Messer auf Schäden (z. B. verbogene Stellen, Risse und Abnutzung). Ersetzen Sie das Messer nur durch ein identisches Ersatzmesser, das in dieser Bedienungsanleitung aufgeführt ist.

- Warten Sie Ihren Rasenmäher sorgfältig – Halten Sie das Rasenmähermesser scharf und sauber, um die beste und sicherste Leistung zu gewährleisten. Rasenmähermesser sind scharf und können tiefe Schnitte verursachen. Umwickeln Sie das Messer oder benutzen Sie Handschuhe und seien Sie bei der Wartung besonders vorsichtig.
- Manipulieren oder entfernen Sie niemals die Schutzvorrichtungen. Prüfen Sie regelmäßig, ob sie ordnungsgemäß funktionieren. Die bestimmungsgemäße Funktion bzw. die schützende Wirkung einer Schutzvorrichtung darf auf keinerlei Weise beeinträchtigt oder gehemmt werden.
- Halten Sie den Motor immer an, bevor Sie Einstellungen an einem Rad vornehmen oder die Schnitthöhe ändern.
- Wenn Sie einen Fremdkörper getroffen haben, halten Sie den Motor an, entfernen Sie den Schlüssel und untersuchen Sie den Rasenmäher gründlich auf Beschädigungen. Reparieren Sie den Schaden, bevor Sie den Rasenmäher wieder einsetzen.
- Warn- und Bedienaufkleber am Gerät müssen gepflegt oder ggf. ersetzt werden. Wenden Sie sich an den EGO-Kundendienst oder das nächstgelegene EGO-Servicezentrum. Reparaturen oder das Austauschen von Bestandteilen sollten Sie einem qualifizierten Servicetechniker überlassen!
- **HEBEN SIE DIESE ANLEITUNG AUF.** Schlagen Sie gegebenenfalls darin nach und verwenden Sie sie, um Andere in die Verwendung des Gerätes einzuweisen. Falls Sie dieses Werkzeug an Andere verleihen, händigen Sie ihnen auch diese Anleitung aus, um einem Missbrauch des Geräts und möglichen Verletzungen vorzubeugen.

BENUTZUNG UND WARTUNG DES AKKUS

- Zur Schonung der Umwelt müssen Akkus vorschriftsmäßig recycelt oder entsorgt werden. Dieses Produkt enthält Lithium-Ionen-Akkus. Die Entsorgung von Lithium-Ionen-Akkus im Hausmüll ist untersagt. Genaue Informationen über die vorhandenen Recycling- und/oder Entsorgungsmöglichkeiten erhalten Sie bei der jeweils zuständigen Behörde.
- Wenn der Akku zur Entsorgung bzw. Wiederverwertung aus dem Werkzeug genommen wird, müssen die elektrischen Kontakte des Akkus mit Klebeband abgeklebt werden. Versuchen Sie nicht, den Akku zu zerstören, zu zerlegen oder bestimmte Komponenten auszubauen. Lithium-Ionen-Akkus müssen vorschriftsmäßig recycelt bzw. entsorgt werden. Die elektrischen Kontakte dürfen außerdem niemals mit Metallobjekten und/oder Körperteilen berührt werden, da hierbei die Gefahr eines Kurzschlusses besteht. Von Kindern fern halten. Bei Nichteinhaltung dieser Warnhinweise besteht Brandgefahr und/oder schwere Verletzungsgefahr.

- **BEI UNSACHGEMÄSSER ANWENDUNG KANN FLÜSSIGKEIT AUS DEM AKKU AUSTRETEN; KONTAKT VERMEIDEN. BEI VERSEHENTLICHEM KONTAKT SOFORT MIT WASSER SPÜLEN. FALLS FLÜSSIGKEIT IN DIE AUGEN GERATEN IST, SUCHEN SIE AUSSERDEM EINEN ARZT AUF.** Aus dem Akku austretende Flüssigkeit kann Reizungen oder Verbrennungen verursachen.

TECHNISCHE DATEN

Modellnummer	LM2010E	LM2010E-SP	
Eigenantrieb	Nicht	Ja	
Spannung	56 V	56 V	
Leerlaufdrehzahl	3150 /min	3150 /min	
Schnitthöhe	25-95 mm	25-95 mm	
Schnitthöheneinstellungen	6	6	
Mähwerkgröße	51 cm	51 cm	
Schnittbreite	50 cm	50 cm	
Volumen des Grasfangsacks	60 L	60 L	
Gewicht des Rasenmähers (ohne Akku)	25,1 kg	28,1 kg	
Messermodell	AB2001	AB2001	
Gemessener Schalleistungsspiegel L_{WA}	94 dB(A)	94,32 dB(A)	
Schalldruckpegel am Ohr des Bedieners L_{PA} $K=2,5$ dB(A)	82,5 dB(A)	85,6 dB(A)	
Gewährleisteter Schalleistungsspiegel L_{WA} (nach 2000/14/EG)	96 dB(A)	96 dB(A)	
Vibration a_{TV} , $K=1,5$ m/s ²	Linker Holm	3,65 m/s ²	1,08 m/s ²
	Rechter Holm	1,64 m/s ²	0,88 m/s ²
Messerbremse	Ja	Ja	

- Der angegebene Vibrationsgesamtwert wurde nach einem Standard-Prüfverfahren gemessen und kann zum Vergleich mit einem anderen Werkzeug herangezogen werden.
- Der angegebene Vibrationsgesamtwert kann auch zur vorläufigen Risikobewertung herangezogen werden.

HINWEIS: Die beim Einsatz des Elektrowerkzeugs entstehenden Istvibrationen können von dem angegebenen Wert abweichen. Zum Schutz des Benutzers sollten Handschuhe und ein Gehörschutz während des Geräteinsatzes getragen werden.

PACKLISTE

TEILNAME	MENGE
Rasenmäher	1
Grasfangsack	1
Grasfangsack-Rahmen	1
Mulcheinsatz	1
Seitenauswurf	1
Sicherheitsschlüssel	2
Bedienungsanleitung	1

BESCHREIBUNG

AUFBAU (Abb. A & B & C & D & E)

- Ein-/Ausschalter Eigenantrieb
- Lenkholm
- Bügelschalter (Schalthebel)
- Schalter
- Grasfangsack
- Schnell-Einstellhebel
- Schnitthöhenversteller
- Hinterrad
- Seitlicher Auswurfschacht
- Seitenauswurfklappe
- Mähwerk
- LED-Scheinwerfer
- Vorderrad
- Akkufachabdeckung
- Hinterer Griff
- Heckauswurfklappe
- Geschwindigkeitsregler Eigenantrieb
- Hinterer Abschirmung
- Sicherheitsschloss
- Akku-Freigabeknopf
- Schalter für LED-Scheinwerfer
- Betriebsanzeige am Rasenmäher
- Mulcheinsatz
- Seitlicher Auswurfschacht

BEDIENUNG

BEFESTIGEN DES GRASFANGSACKS

- Schieben Sie den Grasfangsack auf den Rahmen (Abb. F).
- Bringen Sie die oberen Clips am Rahmen an (Abb. G). Befestigen Sie dann die beiden Seitenclips. Befestigen Sie zum Schluss den unteren Clip.
- Der vollständig befestigte Grasfangsack wird in Abb. H gezeigt.

EINSTELLEN DES KLAPPBAREN HOLMS

⚠️ WARNUNG: Versuchen Sie nicht, den Rasenmäher zu starten, wenn der Holm noch nicht in einer der drei voreingestellten Betriebsposition arretiert ist (OBERE BETRIEBSPOSITION, MITTLERE BETRIEBSPOSITION oder UNTERE BETRIEBSPOSITION).

Ihr Rasenmäher wird mit dem Holm in kompakter ARRETIERTER LAGERPOSITION ausgeliefert (Abb. I).

- Ziehen Sie die beiden Schnell-Einstellhebel heraus, und drehen Sie sie um 90°, um den Holm aus der VERRIEGELTEN LAGERPOSITION auszurücken.
- Heben Sie den Holm an. Verstellen Sie den Holm vorsichtig nach hinten, bis er eine der drei Holmpositionen erreicht, die in Abb. J zu sehen sind. Drehen Sie die Hebel wieder um 90°, bis der Verriegelungsstift optisch sowie akustisch in der richtigen Position einrastet.

Beschreibung zu Abb. J, siehe unten:

J-1	Obere Betriebsposition
J-2	Mittlere Betriebsposition
J-3	Untere Betriebsposition
J-4	Arretierte Aufbewahrungsposition

HINWEIS: Die beiden Schnell-Einstellhebel müssen auf die gleiche Höhe eingestellt werden, damit sie in der gleichen Betriebsstellung arretiert werden können.

BEFESTIGEN/ENTFERNEN DES GRASFANGSACKS/MULCHEINSATZES

⚠️ WARNUNG: Nehmen Sie auf keinen Fall Einstellungen am Rasenmäher vor, ohne zuvor den Motor abzustellen, den Sicherheitsschlüssel zu ziehen und zu warten, bis das Messer zum Stillstand gekommen ist.

HINWEIS: Bringen Sie vor dem Mähen eines der Anbaugeräte am Rasenmäher an.

- Zum Anbringen/Abnehmen des Grasfangsacks (Abb. K)
Stellen Sie den Holm auf eine geeignete Betriebsposition ein. Heben Sie die Heckauswurfklappe hoch und hängen Sie den Grasfangsack in die Gelenkstange ein. Zum Abnehmen heben Sie den Grasfangsack einfach hoch und nehmen ihn von der Gelenkstange herunter. Lassen Sie die Heckauswurfklappe zum Schluss wieder los.

HINWEIS: Entnehmen Sie den vormontierten Mulcheinsatz, bevor Sie den Grasfangsack am Rasenmäher befestigen.

- Zum Anbringen/Abnehmen des Mulcheinsatzes (Abb. L)
Heben Sie die Heckauswurfklappe hoch und setzen Sie den Mulcheinsatz in den Rasenmäher ein. Ziehen Sie ihn zum Entnehmen einfach heraus. Lassen Sie die Heckauswurfklappe zum Schluss wieder los.
- Zum Anbringen/Abnehmen des Seitenauswurfs (Abb. M)
Heben Sie die Seitenauswurfklappe hoch. Lassen Sie die Aussparung im Auswurfkanal mit der Nocke an der Auswurfklappe fluchten und lösen Sie die Seitenauswurfklappe ein wenig. Nun kann sie ein wenig um die Gelenkstange herum gedreht werden, bis sie fest am Auswurfkanal sitzt. Zum Entfernen heben Sie die Seitenauswurfklappe und anschließend den Seitenauswurfkanal hoch. Nun kann sie an der Montagnocke der Klappe vorbei herausgezogen werden.

Beschreibung zu Abb. M, siehe unten:

M-1	Seitenauswurfklappe
M-2	Montagnocke
M-3	Aussparung
M-4	Seitenauswurfklappe

EINSTELLEN DER SCHNITTHÖHE (Abb. K)

⚠️ WARNUNG: Halten Sie Ihre Füße vom Mähwerk fern, wenn Sie die Schnitthöhe einstellen. Der Rasenmäher kann auf fünf Schnitthöhen zwischen 20 und 90mm eingestellt werden. Wählen Sie die Schnitthöhe, die der Art und dem Zustand des Rasens entspricht.

HINWEIS: Wenn Sie das Gerät transportieren, achten Sie darauf, dass die Schnitthöhe auf Position 3 oder größer eingestellt ist. Andernfalls kann es zu Beschädigungen am Messer kommen.

ANBRINGEN/ABNEHMEN DES AKKUS (Abb. O)

LADEN SIE DEN AKKU VOR DEM ERSTEN GEBRAUCH AUF.

⚠️ WARNUNG: Falls Teile defekt sind oder fehlen, darf der Rasenmäher erst dann wieder in Betrieb ersetzt werden, wenn die defekten fehlenden Teile am Gerät ersetzt worden sind. Andernfalls kann es zu schweren Verletzungen kommen.

- **Anbringen**
Schieben Sie den Akku bis zum hörbaren Einrasten in das Akkufach.

- **Abnehmen**
Drücken Sie die Akkuentriegelung am Akkufach.
Beschreibung zu Abb. O, siehe unten:

0-1	Sicherheitsschloss
0-2	Sicherheitsschlüssel
0-3	Akku-Freigabeknopf

ANMERKUNG: Stellen Sie sicher, dass der Riegel am Rasenmäher einrastet und der Akku am Rasenmäher befestigt ist, bevor Sie das Gerät in Betrieb nehmen.

STARTEN/ANHALTEN DES RASENMÄHERS

⚠️ WARNUNG: Beim Betrieb des Rasenmähers besteht die Gefahr, dass Fremdkörper in die eigenen Augen oder in die Augen Dritter geschleudert werden. Die Augen können dadurch ernsthaft verletzt werden. Tragen Sie immer eine Schutzbrille, wenn Sie den Rasenmäher bedienen, oder wenn Sie Einstellungen daran vornehmen oder ihn reparieren.

⚠️ WARNUNG: Stellen Sie sicher, dass andere Personen und Haustiere mindestens 30m vom Rasenmäher entfernt sind, wenn er in Betrieb ist.

⚠️ WARNUNG: Das Messer dreht sich nach dem Ausschalten des Rasenmähers noch einige Sekunden weiter. Warten Sie bis der Motor/das Messer stillsteht, bevor Sie den Rasenmäher erneut starten. Schalten Sie den Rasenmäher nicht schnell hintereinander aus und ein.

SICHERHEITSSCHLÜSSEL

Um ein versehentliches Starten oder eine unerlaubte Benutzung des Akku-Rasenmähers zu verhindern, ist der Rasenmäher mit einem abnehmbaren Sicherheitsschlüssel ausgestattet. Der Rasenmäher ist komplett deaktiviert, wenn der Sicherheitsschlüssel vom Rasenmäher abgezogen wurde.

⚠ VORSICHT: Rotierende Messer können schwere Verletzungen verursachen. Wenn der Rasenmäher unbeaufsichtigt hinterlassen wird oder zum Einstellen, Reinigen, Warten, Transportieren, Anheben oder Aufbewahren des Rasenmähers den Sicherheitsschlüssel abziehen. Auf diese Weise werden schwere Verletzungen verhindert.

Starten (Abb. Q)

- 1) Schließen Sie den Akku am Rasenmäher an, führen Sie den Sicherheitsschlüssel in das Schloss ein, und schließen Sie die Akkufach-Abdeckung (Abb. O).
- 2) Betätigen Sie den Schutzschalter gemäß Abb. P.
- 3) Ziehen Sie bei gedrücktem Sicherheitsschlüssel den Bügelschalter in Holmrichtung und lassen Sie den Schutzschalter los.

Anhalten (Abb. R)

- 1) Lassen Sie den Bügelschalter los.
- 2) Die elektrische Bremse des automatischen Bremsmechanismus unterbricht die Drehbewegung des Messers von drei Sekunden nach dem Loslassen des Bügelschalters.

EIGENANTRIEB MIT VARIABLER-GESCHWINDIGKEIT(LM2010E-SP)

Der Rasenmäher LM2010E-SP ist mit Eigenantrieb und variabler Geschwindigkeit ausgestattet. Das System arbeitet unabhängig vom Ein/Ausschalter des Messers und von der Messerrotation.

Zum Starten des Systems ohne Messerdrehung ziehen Sie den Eigenantriebshebel in Holmrichtung.

Zum Abstellen des Eigenantriebs lassen Sie den Eigenantriebshebel wieder los.

Das System verfügt über eine variable Geschwindigkeit. Zum Beschleunigen bewegen Sie den Eigenantriebshebel nach vorn. Zum Verlangsamen bewegen Sie den Eigenantriebshebel nach hinten (Abb. S).

Um das Messer zum Mähen in Drehbewegung zu versetzen:

1. Starten Sie den Rasenmäher.
2. Halten Sie den Bügelschalter in Holmrichtung mit der linken Hand gezogen fest und ziehen Sie mit der rechten Hand den Eigenantriebshebel.
3. Halten Sie den Bügelschalter und den Eigenantriebsschalter gleichzeitig mit der rechten Hand und stellen Sie mit der linken Hand am Drehzahlregler die gewünschte Geschwindigkeit ein.

⚠ WARNUNG: Die Schalterfunktion oder der Eigenantrieb sollte auf keinen Fall umgangen oder ausgeschaltet werden, um die Verletzungsgefahr zu verringern. Verwenden Sie den Eigenantrieb nur für den vorgesehenen Zweck.

LED-ARBEITSLEUCHTEN AM RASENMÄHER(Abb. A-12)

Betätigen Sie den Schalter (Abb. D-21) zum Ein- oder Ausschalten der LED-Arbeitsleuchten, die sich vor dem Akkufach befinden.

BETRIEBSANZEIGE AM RASENMÄHER (Abb. D-22)

Der Rasenmäher ist mit einer Betriebsanzeige ausgestattet, um den Ladezustand des Akkus und den Betriebszustand des Rasenmähers anzuzeigen. Die Betriebsanzeige leuchtet auf, wenn das Messer rotiert oder die LED-Arbeitsleuchten eingeschaltet sind.

Betriebsanzeige am Rasenmäher	Bedeutung	Status
Leuchtet grün	Der Rasenmäher funktioniert ordnungsgemäß; der Akku besitzt noch mindestens 15% seiner Ladung.	Nicht zutreffend
Leuchtet rot	Schwacher Akku	Rasenmäher abstellen und Akku aufladen
Blinkt rot	Der Akku ist fast leer.	Rasenmäher abstellen und Akku aufladen
Leuchtet orange	Der Rasenmäher oder der Akku ist überhitzt	Akku aus dem Rasenmäher entfernen, in den Schatten legen und mindestens 15 Minuten lang abkühlen lassen
Blinkt orange	Der Rasenmäher ist überlastet.	Verlangsamen Sie Ihr Tempo oder vergrößern Sie die Schnitthöhe, um die Belastung zu reduzieren.

ÜBERLASTUNGSSCHUTZ DES RASENMÄHERS

Um Beschädigungen aufgrund von Überlastung zu vermeiden, versuchen Sie nicht, zu viel Gras auf einmal zu mähen. Verlangsamen Sie Ihr Mähtempo oder vergrößern Sie die Schnitthöhe.

Ihr Rasenmäher besitzt eine integrierte Überlast-Schutzschaltung. Wenn der Rasenmäher überlastet ist, stellt sich der Motor ab und die Betriebsanzeige am Rasenmäher blinkt orange. Nehmen Sie den Akku aus dem Rasenmäher. Kontrollieren Sie, ob unter dem Mähwerk Gras anhaftet. Beseitigen Sie es ggf. und bringen Sie den Akku wieder an. Schalten Sie den Rasenmäher danach wieder ein.

AKKU-ÜBERHITZUNGSSCHUTZ

Der Akku wird während der Benutzung warm. Die Wärme wird bei sehr warmem Wetter langsamer abgebaut. Wenn die Akkutemperatur 70°C während des Betriebs überschreitet, wird der Rasenmäher von der Schutzschaltung automatisch abgeschaltet, um den Akku vor Schäden zu schützen. Die Betriebsanzeige am Rasenmäher leuchtet dann orange. Lassen Sie den Bügelschalter los, warten Sie, bis der sich Akku auf ungefähr 67°C abgekühlt hat und starten Sie den Rasenmäher dann erneut.

WARTUNG

⚠️ WARNUNG: Um schwere Verletzungen zu vermeiden, entfernen Sie immer den Sicherheitsschlüssel und den Akku aus dem Rasenmäher, bevor Sie das Gerät säubern oder Wartungsarbeiten vornehmen.

⚠️ WARNUNG: Verwenden Sie für die Wartung nur identische Ersatzteile. Die Verwendung anderer Teile kann Unfälle und Schäden am Gerät hervorrufen. Um die Sicherheit und Zuverlässigkeit zu gewährleisten, sollten alle Reparaturen und der Austausch von Teilen nur von qualifizierten Servicetechnikern durchgeführt werden.

REINIGEN DES RASENMÄHERS

⚠️ WARNUNG: Entfernen Sie immer den Sicherheitsschlüssel und den Akku, wenn Sie den Rasenmäher warten oder transportieren.

Die Unterseite des Mähwerks sollte nach jedem Gebrauch gereinigt werden, da dort Grasschnitt, Blätter, Schmutz und andere Ablagerungen anhaften. Dieses anhaftende Material muss beseitigt werden, da es sonst die Rost- und Korrosionsbildung an den Metallteilen beschleunigt. Die Mähleistung des Rasenmähers wird dadurch beeinträchtigt.

Entfernen Sie anhaftendes Gras und Blätter an der und um die Antriebswelle (nur LM2010E-SP) und um den Motorlüfter herum (kein Wasser benutzen). Wischen Sie den Rasenmäher mit einem feuchten Tuch ab.

ANBRINGEN/ABMONTIEREN DES MESSERS

⚠️ WARNUNG: Schützen Sie stets Ihre Hände, indem Sie Handschuhe tragen oder die Schneidkanten mit Lumpen oder anderen Materialien umwickeln, wenn Sie Wartungsarbeiten am Rasenmähermesser durchführen. Entfernen Sie immer den Akku, wenn Sie den Rasenmäher warten oder transportieren.

■ Abmontieren des Messers Siehe Abb. V.

HINWEIS: Wenn sich die Schraube mit der Motorwelle beim Lösen der Schraube mitdreht, drehen Sie den Lüfter von Hand, um die Bohrungen im Lüfter mit den Bohrungen im Messer fluchten zu lassen. Führen Sie dann einen weiteren Metallsteg in die fluchtenden Bohrungen ein .

■ Montieren des Messers

Die Montagereihenfolge ist in Abb. U dargestellt. Lassen Sie die Bohrungen im Lüfter mit den Bohrungen im Messer (Abb. W) fluchten. Das Lüftermesser muss dabei in Richtung Mähwerk und die beschriftete Messerseite nach außen zeigen. Nun schrauben Sie das Messer fest an, wie in Abb. X gezeigt. Teilebeschreibung zu Abb. U & VU, siehe unten:

U-1	Lüfter	U-5	Schraube
U-2	Innenflansch	V-1	Stabilisator 1
U-3	Außenflansch	V-1	Stabilisator 2
U-4	Messer	V-3	14 mm Schlüssel

HINWEIS: Zum Festschrauben des Messers wird ein Anzugsmoment von 49-59Nm empfohlen.

LAGERN DES RASENMÄHERS

- Nehmen Sie den Akku aus dem Rasenmäher und stellen Sie ihn an einem kühlen, trockenen Ort ab. Bewahren Sie ihn nicht neben ätzenden Stoffen wie etwa Dünger oder Steinsalz auf.
- Ölen Sie den Rasenmäher.
- Stellen Sie den Rasenmäher an einem geschützten, geschlossenen Ort ab, der kühl, trocken und für Kinder unerreichbar ist.
- Decken Sie den Rasenmäher nicht mit einer festen Kunststoffolie ab. Durch eine Kunststoffabdeckung kann die Feuchtigkeit um den Rasenmäher herum nicht entweichen, was zu Rostbildung und Korrosion führt.
- Der Rasenmäher kann hochkant oder waagrecht abgestellt werden (Abb Y).



DE

⚠️ WARNUNG: Wenn der Rasenmäher aus der aufrechten Position umfällt, kann es zu Beschädigungen am Rasenmäher oder Verletzungen kommen. Achten Sie stets darauf, dass der Rasenmäher nicht umfallen kann und außer Reichweite von Kindern ist, wenn er hochkant abgestellt wird. Sofern möglich, bewahren Sie ihn waagrecht auf dem Boden auf.

Umweltschutz



Elektrogeräte, Ladegeräte und Batterien/ Akkus dürfen nicht im Hausmüll entsorgt werden!

Im Einklang mit der europäischen Richtlinie 2012/19/EG müssen elektrische und elektronische Altgeräte separat gesammelt werden. Dasselbe gilt auch für defekte oder verbrauchte Akkus/ Batterien nach der europäischen Richtlinie 2006/66/EG.

Wenn elektrische Geräte auf Deponien oder Schutthalde entsorgt werden, dann können gefährliche Stoffe in das Grundwasser sickern und in die Nahrungskette gelangen. Dadurch werden Ihre Gesundheit und Ihr Wohlbefinden beeinträchtigt.

EG-KONFORMITÄTSERKLÄRUNG



Wir, CHERVON EUROPE LTD.
47 CASTLE STREET, READING, RG1 7SR, UNITED KINGDOM
erklärt, dass das Gerät mit der Bezeichnung **Akku-Rasenmäher (56 V) LM2010E/LM2010E-SP** die einschlägigen Anforderungen folgender Richtlinien in Bezug auf die Gesundheit und Sicherheit erfüllt:

2006/42/EG, 2004/108/EG, 2011/65/EU, 2000/14/EG
Zutreffende Normen und technische Spezifikationen:
EN 60335-1, EN 60335-2-77, EN 62233, EN 55014-1, EN 55014-2

	LM2010E	LM2010E-SP
Gemessener Schallleistungspegel:	94 dB(A)	94,32 dB(A)
Gewährleisteter Schallleistungsspiegel:	96 dB(A)	96 dB(A)

Peter Melrose
Vizepräsident Chervon Europe

Dong Jianxun
Qualitätsmanager Chervon

* (Verantwortlicher Vertreter von CHERVON und technischer Dokumentationsverantwortlicher)
01/01/2016

STÖRUNGSBESEITIGUNG

⚠️ WARNUNG: Entfernen Sie immer den Sicherheitsschlüssel und den Akku, wenn Sie den Rasenmäher warten oder transportieren. Schützen Sie stets Ihre Hände, indem Sie Handschuhe tragen oder die Schneidkanten mit Lumpen oder anderen Materialien umwickeln, wenn Sie Wartungsarbeiten am Rasenmähermesser durchführen.

DE

PROBLEM	URSACHE	LÖSUNG
Rasenmäher lässt sich nicht starten	<ul style="list-style-type: none"> ■ Der Akku ist leer. ■ Der Akku ist noch nicht im Akkufach eingesetzt. ■ Der Akku oder die Rasenmäher-Elektronik ist zu heiß. (Die Betriebsanzeige am Rasenmäher leuchtet zehn Sekunden lang orange.) ■ Die Seitenholme sind nicht auf ihre maximale Länge ausgezogen und die Klemmvorrichtungen sind nicht arretiert. ■ Der Holm ist nicht in einer der beiden Betriebspositionen arretiert. ■ Das Mähwerk ist mit Gras und Ablagerungen verstopft. 	<ul style="list-style-type: none"> ■ Akku aufladen. ■ Schließen Sie den Akku am Rasenmäher an, indem Sie ihn bis zum hörbaren Klickgeräusch einrasten lassen. ■ Akku bzw. Rasenmäher unter 67°C abkühlen lassen. ■ Den Holm ganz herausziehen und beide Klemmvorrichtungen arretieren. ■ Stellen Sie den Holm auf eine der beiden Betriebspositionen ein. ■ Reinigen Sie das Mähwerk und stellen Sie sicher, dass sich das Messer frei bewegen kann.
Der Rasenmäher mäht ungleichmäßig	<ul style="list-style-type: none"> ■ Das Messer ist stumpf. ■ Die Schnitthöhe ist nicht korrekt eingestellt. ■ Das Messer ist falsch montiert. 	<ul style="list-style-type: none"> ■ Schärfen oder ersetzen Sie das Messer. ■ Stellen Sie am Mähwerk eine größere Schnitthöhe ein. ■ Montieren Sie das Messer wieder. Lesen Sie hierzu den Abschnitt „MONTIEREN DES MESSERS“ in dieser Bedienungsanleitung.

PROBLEM	URSACHE	LÖSUNG
Der Rasenmäher setzt beim Mähen aus	<ul style="list-style-type: none"> ■ Der Akku ist leer. ■ Rasenmäher ist überlastet. ■ Das Mähwerk ist mit Gras und Ablagerungen verstopft. ■ Der Akku oder die Rasenmäher-Elektronik ist zu heiß. (Die Betriebsanzeige am Rasenmäher leuchtet zehn Sekunden lang orange.) ■ Der Seitenholm wurde durch den Druck auf den Lenkholm beim Schieben etwas hineingefahren. 	<ul style="list-style-type: none"> ■ Akku aufladen. ■ Vergrößern Sie die Schnitthöhe oder verlangsamen Sie das Mähtempo. ■ Beseitigen Sie die Verstopfung am Mähwerk. Vergrößern Sie die Schnitthöhe oder mähen Sie schmalere Schneisen. ■ Akku bzw. Rasenmäher unter 67°C abkühlen lassen. ■ Die Klemmvorrichtungen lösen. Die Seitenholme ganz herausziehen und die Klemmvorrichtungen wieder festschrauben.
Der Rasenmäher mulcht nicht richtig	<ul style="list-style-type: none"> ■ Feuchte Grasabfälle kleben an der Unterseite des Mähwerks. ■ Der Rasenmäher ist so eingestellt, dass er eine zu große Menge Gras auf einmal mäht. 	<ul style="list-style-type: none"> ■ Warten Sie, bis das Gras trocken ist, bevor Sie mähen. ■ Stellen Sie am Mähwerk eine größere Schnitthöhe ein.
Das Gerät vibriert extrem	<ul style="list-style-type: none"> ■ Das Messer hat sich gelöst. ■ Das Messer hat eine Unwucht. ■ Das Messer ist verbogen. ■ Die Motorwelle ist verbogen. 	<ul style="list-style-type: none"> ■ Ziehen Sie die Messerschraube fest. ■ Wuchten Sie das Messer nach den Anweisungen aus. ■ Wechseln Sie das Messer aus. ■ Wenden Sie sich an das Servicezentrum.
Die Holm-Feststellklemmen lassen sich nicht schließen	<ul style="list-style-type: none"> ■ Die Seitenholme sind nicht vollständig ausgezogen. 	<ul style="list-style-type: none"> ■ Ziehen Sie die Seitenholme ganz heraus und schrauben Sie dann die Klemmen fest.

GARANTIE

EGO GEWÄHRLEISTUNGSRICHTLINIE

Bitte besuchen Sie unsere website egopowerplus.com mit den kompletten EGO Garantiebedingungen

LISEZ TOUTES LES INSTRUCTIONS !



LISEZ ET COMPRENEZ LES INSTRUCTIONS DU MANUEL D'UTILISATION

⚠ Risques résiduels ! Les personnes portant des appareils électroniques, par exemple des stimulateurs cardiaques, doivent consulter leur(s) médecin(s) avant d'utiliser ce produit. L'utilisation d'un équipement électrique près d'un stimulateur cardiaque peut provoquer des interférences ou la panne du stimulateur cardiaque.

⚠ AVERTISSEMENT : Pour garantir la sécurité et la fiabilité, toutes les réparations et tous les changements de pièce doivent être effectués par un réparateur qualifié.

Domaine d'utilisation et utilisation impropre

prévisible : Le produit est conçu exclusivement pour tondre le gazon dans les jardins domestiques. Il ne doit pas être utilisé pour tondre de l'herbe inhabituellement haute, sèche ou humide, par exemple l'herbe de pâturages ou pour déchiqeter des feuilles. Le produit ne doit être utilisé qu'à la finalité pour laquelle il a été conçu. Tout autre usage est considéré impropre.

SYMBOLES DE SÉCURITÉ

L'objectif des symboles de sécurité est d'attirer votre attention sur des dangers potentiels. Les symboles de sécurité et les explications les accompagnant doivent être lus avec attention et compris. Les symboles de mise en garde ne permettent pas par eux-mêmes d'éliminer les dangers. Les consignes et mises en garde ne se substituent pas à des mesures de prévention appropriées des accidents.

⚠ AVERTISSEMENT : Avant d'utiliser cet outil, veuillez à lire et à comprendre toutes les consignes de sécurité du guide d'utilisation, notamment tous les symboles d'alerte de sécurité comme « **DANGER** », « **AVERTISSEMENT** » et « **MISE EN GARDE** ». Ne pas respecter toutes les consignes listées ci-après peut provoquer un choc électrique, un incendie et/ou des blessures corporelles graves.

SIGNIFICATION DES SYMBOLES

SYMBOLE DE MISE EN GARDE DE SÉCURITÉ : Indique un **DANGER**, un **AVERTISSEMENT** ou une **PRÉCAUTION**. Peut être utilisé en conjonction d'autres symboles ou pictogrammes.

⚠ AVERTISSEMENT : L'utilisation de tout outil électrique peut provoquer la projection d'objets étrangers dans vos yeux, ce qui peut provoquer des lésions oculaires graves. Avant de mettre un outil électrique en marche, portez toujours un masque de sécurité ou des lunettes de sécurité avec boucliers latéraux, ou un masque facial intégral quand cela est nécessaire. Nous vous recommandons de porter un Masque de Sécurité à Vision Panoramique par-dessus des lunettes de vue ou des lunettes de sécurité standards avec boucliers latéraux.

FR

CONSIGNES DE SÉCURITÉ

Cette page illustre et décrit les symboles de sécurité qui peuvent être présents sur ce produit. Lisez, comprenez et respectez toutes les instructions présentes sur l'outil avant d'essayer de l'assembler et de l'utiliser.

	Alerte de sécurité	Précautions concernant votre sécurité.
	Porter une protection oculaire	Toujours porter un masque de sécurité ou des lunettes de sécurité avec boucliers latéraux et un masque facial intégral lors de l'utilisation de ce produit.
	AVERTISSEMENT : Lire le manuel d'utilisation	Pour réduire le risque de blessures, l'utilisateur doit lire et comprendre le manuel d'utilisation avant d'utiliser ce produit.
	Attention aux lames tranchantes.	Après l'extinction du moteur les lames continuent à tourner - Retirez le coupe-circuit avant l'entretien Coupez le moteur et enlevez la batterie détachable (ou le coupe-circuit) avant un réglage ou le nettoyage.
	Maintenir les autres personnes éloignées	Veillez à ce que les autres personnes et les animaux restent à au moins 30m de la tondeuse lorsqu'elle est en marche.
	Construction de classe II	Construction à double isolation.
IPX4	Symbole IP	Protection contre la pénétration d'eau de degré 4
V	Volt	Tension

A	Ampères	Courant
Hz	Hertz	Fréquence (cycles par seconde)
W	Watt	Électricité
min	Minutes	Temps
	Courant alternatif	Type de courant
	Courant direct	Type de courant ou caractéristique de courant
n_0	Vitesse à vide	Vitesse de rotation à vide
... /min	Par minute	Rotations par minute

CONSIGNES DE SÉCURITÉ POUR LA TONDEUSE À GAZON SANS FIL

⚠ DANGER: Cet appareil a été conçu pour être utilisé conformément aux règles d'utilisation sécuritaire indiquées dans ce guide. Comme avec tout autre type d'équipement électrique, la négligence ou une erreur de la part de l'utilisateur peut provoquer des blessures graves. Cet appareil peut amputer les mains et les pieds et projeter des débris. Le non-respect de toutes les consignes de sécurité peut provoquer des blessures graves ou mortelles.

⚠ AVERTISSEMENT: Lors de l'utilisation de tondeuses électriques, les consignes de sécurité fondamentales doivent toujours être observées afin de réduire le risque d'incendie, de décharge électrique et de blessure.

IMPORTANT

LIRE ATTENTIVEMENT AVANT UTILISATION.

CONSERVER POUR CONSULTATION ULTÉRIEURE. RÈGLES DE SÉCURITÉ POUR LES TONDEUSES SANS FIL: ATTENTION-NE TOUCHEZ PAS LES LAMES EN MOUVEMENT!

ENTRAÎNEMENT

- Lisez attentivement le manuel d'utilisation. Familiarisez-vous avec les commandes et l'utilisation correcte de l'outil.
- Ne laissez jamais des enfants ou des personnes non familiarisées avec les présentes instructions utiliser l'outil. Les réglementations locales peuvent définir un âge minimal pour l'opérateur.
- N'utilisez jamais la tondeuse si des personnes, notamment des enfants, ou des animaux de compagnie sont à proximité.

- L'opérateur ou l'utilisateur est responsable des accidents ou dommages causés à des tiers ou à leurs biens.

PRÉPARATION

- Quand vous utilisez cette tondeuse, portez toujours des chaussures protectrices et des pantalons longs.
- N'utilisez pas l'appareil en étant pieds nus ou avec des sandales ouvertes.
- Inspectez soigneusement l'endroit où vous souhaitez utiliser la tondeuse et enlevez toutes les pierres, les brindilles, les fils, les os et autres corps étrangers.
- Avant l'utilisation, vérifiez que les lames, les boulons de lame et l'ensemble de coupe ne soient pas endommagés. Remplacez les lames et les boulons cassés ou usés en même temps pour maintenir l'équilibre.

UTILISATION

- Utilisez la tondeuse exclusivement à la lumière du jour ou sous une lumière artificielle suffisante.
- Évitez si possible d'utiliser l'appareil dans l'herbe humide.
- Sur les pentes, soyez toujours sûr de vos appuis.
- Marchez, ne courez jamais.
- Pour les machines à roues, tondez les pentes en travers, jamais de haut en bas.
- Faites extrêmement attention en changeant de direction sur les pentes.
- Ne tondez pas les pentes excessivement raides.
- Faites très attention en renversant ou en tirant l'appareil vers vous.
- Arrêtez la ou les lames si l'appareil doit être incliné ou transporté sur des surfaces autres que de l'herbe et lors du transport de l'appareil vers et depuis la zone à tondre.
- N'utilisez jamais l'outil si ses protections et boucliers sont défectueux, ou sans ses dispositifs de sécurité, par exemple si ses déflecteurs et/ou bacs de ramassage ne sont pas assemblés.
- Démarrez le moteur en respectant les instructions et en maintenant les pieds éloignés de la ou des lames.
- N'inclinez pas la tondeuse au moment de la mise en marche, sauf si elle doit être inclinée pour le démarrage. Dans ce cas, ne pas incliner plus que ce qui est absolument nécessaire et ne soulever que la partie la plus éloignée de l'opérateur. Assurez-vous toujours que vos deux mains sont en position de manœuvre avant de retourner l'outil vers le sol.
- Ne démarrez pas l'outil quand vous êtes placé devant sa bouche d'éjection.

- Ne placez pas les mains ou les pieds près ou sous des éléments en rotation. Pour les tondeuses rotatives, ne restez jamais à proximité de la zone d'évacuation.
- Ne ramassez/tenez pas un objet lorsque le moteur est en marche.
- Coupez le moteur et enlevez la batterie détachable (ou le coupe-circuit) avant un réglage ou le nettoyage
 - À chaque fois que vous laissez l'outil sans surveillance.
 - Avant d'éliminer un bourrage.
 - Avant d'inspecter, de nettoyer ou de travailler sur l'outil.
 - Après avoir percuté un objet étranger. Inspectez l'appareil pour déceler les dommages et effectuez les réparations si nécessaire.
- Si l'outil se met à vibrer anormalement (contrôlez l'appareil immédiatement).
 - Inspectez-le pour vérifier qu'il n'est pas endommagé.
 - Réparez ou changez les pièces endommagées.
 - Vérifiez que toutes les pièces sont serrées et resserrez les pièces desserrées.

ENTRETIEN ET STOCKAGE

- Lorsque vous effectuez un réglage sur l'outil, veillez à ne pas vous coincer les doigts entre les accessoires de coupe mobiles et les pièces fixes de l'appareil.
- Veillez à ce que tous les écrous, vis et boulons soient bien serrés, afin de vous assurer que l'appareil est en bon état de marche.
- Inspectez fréquemment le sac/bac de ramassage pour vérifier qu'il n'est ni usé ni détérioré.
- Par sécurité, remplacez toutes les pièces usées ou endommagées.
- Lors de la maintenance de la lame, gardez à l'esprit qu'elle reste en rotation un certain temps après l'arrêt du moteur.
- Pour les tondeuses rotatives, assurez-vous que seuls de bons outils de coupe de rechange sont utilisés.

SÉCURITÉ DES PERSONNES

Des accidents tragiques peuvent se produire si l'opérateur n'est pas attentif à la présence d'enfants. Les enfants sont souvent attirés par la tondeuse et les activités de tonte. Ils ne comprennent pas les dangers. Ne considérez pas que les enfants resteront là où vous les avez vu la dernière fois.

- Éloignez les enfants de la zone de travail et placez-les sous la surveillance d'un adulte autre que le conducteur de la machine.
- Restez vigilant et arrêtez la tondeuse si des enfants s'approchent de la zone de travail.

- Faites très attention en approchant d'angles morts, de portes, de buissons, d'autres objets qui peuvent gêner votre visibilité d'un enfant qui pourrait courir vers la tondeuse.
- Il convient de surveiller les enfants pour s'assurer qu'ils ne jouent pas avec la tondeuse.
- Coupez toujours le moteur de la tondeuse avant de retirer la batterie de l'outil. Arrêtez la ou les lames si l'appareil doit être incliné ou transporté sur des surfaces autres que de l'herbe et lors du transport de l'appareil vers et depuis la zone à tondre.

UTILISATION FONCTIONNEMENT GÉNÉRAL:

- Veuillez lire attentivement l'ensemble de ce guide d'utilisation avant d'entamer l'assemblage de cet appareil. Vous devez lire, comprendre et suivre toutes les instructions présentes sur l'appareil et dans les manuels avant de l'utiliser. Avant d'utiliser cet appareil, familiarisez-vous avec toutes ses commandes et son utilisation correcte. Conservez ce guide en lieu sûr afin de pouvoir le consulter ultérieurement et régulièrement ainsi que pour commander des pièces de rechange.
- Utilisez l'appareil adapté à votre tâche – N'utilisez pas cette tondeuse à des fins autres que celles pour lesquelles elle a été conçue.
- Ne tendez pas les bras trop loin – Maintenez des appuis et un équilibre adéquats en tout temps.
- Des objets coincés dans la lame de la tondeuse peuvent causer des blessures graves. Vous devriez toujours examiner attentivement le gazon et enlever tous les objets qui s'y trouvent avant de le tondre.
- Avant de reculer et pendant que vous le faites, regardez derrière vous et par terre pour vous assurer qu'il n'y a pas de jeunes enfants ou d'autres personnes.
- Cet appareil n'est pas un jouet. Vous devez donc faire preuve d'une prudence extrême en tout temps. Cet appareil a été conçu pour effectuer une tâche précise : tondre le gazon. Ne l'utilisez à aucune autre fin.
- Ne forcez pas la tondeuse – elle vous permettra d'accomplir le travail pour lequel elle a été conçue plus efficacement et avec plus de sécurité si vous l'utilisez au rythme approprié.
- Avant l'utilisation, vérifiez que les lames, les boulons de lame et l'ensemble de coupe ne soient pas endommagés. Remplacez les lames, les boulons et les autres composants cassés ou usés en même temps pour maintenir l'équilibre. Remplacez les étiquettes endommagées ou illisibles.
- Faites très attention en renversant ou en tirant l'appareil vers vous.

FR

- Inspectez soigneusement l'endroit où vous souhaitez utiliser la tondeuse. Enlevez toutes les pierres, les brindilles, les fils, les jouets et les autres corps étrangers sur lesquels vous pourriez trébucher ou qui pourraient être ramassés et projetés par la lame. Les débris projetés peuvent causer des blessures graves. Planifiez votre circuit de tonte pour éviter d'évacuer des débris sur la route, le trottoir ou les observateurs. Évitez également d'évacuer des débris contre les murs ou sur d'autres obstacles. Ceux-ci pourraient alors ricocher vers l'utilisateur.
- Pour éviter tout contact avec la lame ou toute blessure causée par la projection de débris, restez dans la zone de l'utilisateur, derrière les poignées, et gardez les enfants, les observateurs, les personnes qui vous aident et les animaux à au moins 30m de la tondeuse lorsqu'elle fonctionne. Mettez l'appareil hors tension si quelqu'un pénètre dans la zone.
- Portez toujours des lunettes de protection ou de sécurité lorsque vous utilisez cet appareil, ainsi que lors d'un réglage ou d'une réparation, afin de protéger vos yeux. Les débris projetés peuvent ricocher et causer des blessures graves aux yeux. Portez toujours un masque de protection ou un masque antipoussières lorsque l'endroit est poussiéreux.
- Habillez-vous convenablement – Ne portez pas de vêtements amples ni de bijoux. Ils peuvent se prendre dans les pièces mobiles. Le port de gants et de chaussures en caoutchouc est recommandé lorsque vous travaillez à l'extérieur. Portez des chaussures robustes à semelle épaisse et des vêtements bien ajustés. Une chemise et un pantalon qui protègent les bras et les jambes et des chaussures à bout d'acier sont recommandés. N'utilisez jamais la tondeuse si vous êtes pieds nus ou si vous portez des sandales ou des chaussures glissantes ou légères (par exemple, des chaussures en toile).
- Ne placez pas vos mains ou vos pieds près d'une pièce en mouvement ou sous le plateau de coupe. Tout contact avec la lame peut amputer les mains ou les pieds.
- Un couvercle d'évacuation manquant ou endommagé peut causer un contact avec la lame ou des blessures provoquées par la projection de débris.
- De nombreuses blessures surviennent lorsque la tondeuse passe sur le pied de l'utilisateur qui glisse ou trébuché et fait une chute. En cas de chute, ne retenez pas la tondeuse ; lâchez immédiatement la poignée.
- Ne tirez jamais la tondeuse vers vous en marchant. Si vous devez reculer la tondeuse d'un mur ou d'un obstacle regardez d'abord par terre et derrière vous pour éviter de trébucher, puis suivez ces étapes:
 - Éloignez-vous de la tondeuse en tendant complètement les bras
 - Assurez-vous que vos appuis sont fermes et équilibrés.
 - Reculez lentement la tondeuse, au maximum à mi-chemin vers vous
 - Répétez ces étapes au besoin
- N'utilisez pas la tondeuse sous l'influence d'alcool ou de drogues.
- N'utilisez jamais l'outil si ses protections et boucliers sont défectueux, ou sans ses dispositifs de sécurité, par exemple si ses déflecteurs et/ou bacs de ramassage ne sont pas assemblés
- Restez attentif – faites attention à ce que vous faites. Faites preuve de bon sens. N'utilisez pas la tondeuse lorsque vous êtes fatigué
- La manette de contrôle du moteur et de la lame est un dispositif de sécurité. Ne tentez jamais de contourner son fonctionnement. Cela rendrait le dispositif de sécurité inopérant et pourrait causer des blessures par contact avec la lame rotative. La manette de contrôle du moteur et de la lame doit pouvoir fonctionner librement dans les deux directions et retourner automatiquement à la position retirée lorsque vous la relâchez
- Évitez les environnements dangereux – N'utilisez pas la tondeuse dans un endroit mouillé ou humide
- Ne l'utilisez pas sous la pluie
- Soyez toujours sûr de vos appuis. Vous pourriez vous blesser gravement si vous glissez et tombez. Si vous sentez que vous perdez l'équilibre, relâchez immédiatement la manette de contrôle du moteur et de la lame. La lame s'arrêtera de tourner entre 2 secondes
- Arrêtez la lame avant de traverser une allée recouverte de gravier, un trottoir ou une route
- Si l'équipement venait à vibrer de manière anormale, arrêtez le moteur et vérifiez immédiatement la cause. Les vibrations indiquent généralement qu'il y a un problème.
 - Inspectez pour déceler d'éventuels dommages
 - Remplacez ou réparez toutes les pièces endommagées remplaçables par l'utilisateur
 - Vérifiez et serrez toutes les pièces desserrées
- N'utilisez jamais la tondeuse si elle n'est pas munie de sa lame de protection souple, d'un couvercle d'évacuation, du bac de récupération d'herbe, d'un insert pour déchetage, d'une sortie d'évacuation latérale, d'une manette de contrôle du moteur et de la lame ou d'autres dispositifs de sécurité protecteurs qui fonctionnent adéquatement. N'utilisez jamais la tondeuse si les dispositifs de sécurité sont endommagés. Cela pourrait entraîner des blessures.

- S'il se produit une situation qui ne figure pas dans le présent guide, faites preuve de prudence et de bon sens. Communiquez avec le centre de service EGO pour obtenir de l'aide.
- Utilisez exclusivement les batteries et les chargeurs listés ci-dessous.

BATTERIE	CHARGEUR
BA1120E, BA2240E, BA2800, BA3360, BA4200	CH5500E, CH2100E

- La batterie doit être retirée de l'outil avant la mise au rebut.
- La batterie doit être mise au rebut d'une manière sûre.

UTILISATION SUR UNE PENTE:

Les blessures graves causées par des chutes par glissade se produisent souvent dans des pentes. Sur les pentes, soyez toujours sûr de vos appuis. Les travaux effectués sur un terrain en pente exigent des précautions supplémentaires. Si vous ne vous sentez pas à l'aise sur une pente, n'utilisez pas la tondeuse.

À faire:

- Tondez les pentes en travers, jamais de haut en bas. Faites extrêmement attention en changeant de direction sur les pentes.
- Faites attention aux trous, aux ornières, aux pierres, aux objets dissimulés ou aux bosses qui pourraient vous faire glisser ou trébucher. Des herbes hautes peuvent dissimuler des obstacles.

À ne pas faire:

- Ne tondez pas près d'une falaise, d'un fossé ou d'un remblai ; vous pourriez perdre pied ou perdre l'équilibre.
- N'utilisez pas la tondeuse si la pente est inclinée à plus de 15 degrés, comme l'indique l'inclinomètre
- Ne coupez pas l'herbe si elle est mouillée. Un appui instable pourrait vous faire glisser.

ENTRETIEN

⚠ AVERTISSEMENT: Les éléments tel que : le bac de récupération d'herbe, le couvercle d'évacuation, la sortie d'évacuation latérale, l'insert pour déchetage et la lame de protection souple peuvent s'user et être endommagés et, par conséquent, exposer les pièces mobiles ou causer la projection de débris, ce qui augmente le risque de blessure. Par mesure de sécurité, vérifiez souvent tous les éléments et, s'ils sont endommagés, remplacez-les immédiatement avec des pièces identiques à celles figurant dans ce guide. Communiquez avec le service à la clientèle EGO ou le centre de service EGO le plus proche, et les changements de pièce ou les réparations doivent être effectués par un réparateur qualifié !

- Si l'interrupteur de protection contre les surcharges intégré à la tondeuse se déclenche fréquemment communiquez avec le service à la clientèle EGO ou le centre de service EGO le plus proche.
- Ne nettoyez pas la tondeuse avec un jet d'eau, car de l'eau pourrait s'infiltrer dans le moteur et les connexions électriques.
- Retirez la clé et remisez la tondeuse à l'intérieur lorsqu'elle n'est pas utilisée. Laissez le moteur refroidir avant de remiser la tondeuse. La tondeuse doit être rangée dans un endroit sec, surélevé ou verrouillé, hors de portée des enfants.
- Lorsque vous procédez à l'entretien de la tondeuse, utilisez uniquement des pièces de rechange identiques à celles indiquées dans ce guide. L'utilisation de pièces ne correspondant pas aux caractéristiques de l'équipement d'origine peut causer un fonctionnement inadéquat et compromettre la sécurité.
- Enlevez ou débranchez la batterie avant de procéder à l'entretien ou au nettoyage de la tondeuse ou d'en retirer des éléments.
- Suivez les instructions de graissage et de changement d'accessoires.
- Maintenez les poignées sèches, propres et exemptes d'huile ou de graisse.
- Pour réduire les risques d'incendie, éliminez l'accumulation de brins d'herbe, de feuilles et d'autres débris sur le moteur.
- Vérifiez fréquemment que les boulons de fixation du moteur et des lames sont correctement serrés. De plus, effectuez une inspection visuelle des lames pour vérifier qu'elles ne sont pas endommagées (par exemple, tordues, fissurées ou usées). Remplacez la lame uniquement avec une lame de rechange identique à celle indiquée dans ce guide.
- Entretenez soigneusement votre tondeuse – gardez la lame affûtée et propre pour un rendement plus efficace et plus sécuritaire. Les lames sont tranchantes et peuvent causer des coupures. Recouvrez la lame ou portez des gants et soyez très prudent lorsque vous en faites l'entretien.
- Ne touchez jamais les dispositifs de sécurité et ne les enlevez pas. Vérifiez régulièrement qu'ils fonctionnent correctement. Ne faites jamais rien qui pourrait interférer avec la fonction prévue d'un dispositif de sécurité ou qui pourrait réduire la protection fournie par un dispositif de sécurité.
- Arrêtez toujours le moteur avant de procéder à des réglages à une roue ou à la hauteur du plateau de coupe.

FR

- Arrêtez le moteur après avoir heurté un objet quelconque, enlevez la clé et vérifiez soigneusement que la tondeuse n'est pas endommagée. Réparez les dommages avant d'utiliser la tondeuse.
- Conservez les plaques signalétiques d'instruction et de sécurité ou remplacez-les au besoin. Communiquez avec le service à la clientèle EGO ou le centre de service EGO le plus proche, et les changements de pièce ou les réparations doivent être effectués par un réparateur qualifié !
- **CONSERVEZ CES INSTRUCTIONS.** Consultez-les fréquemment et servez-vous-en pour instruire les autres.
- personnes devant utiliser cet outil. Si vous prêtez cet appareil à quelqu'un, prêtez-lui également ces instructions afin de prévenir une utilisation inadéquate du produit et des blessures potentielles.

UTILISATION ET ENTRETIEN DE LA BATTERIE

- Afin de préserver les ressources naturelles, recyclez les batteries ou mettez-les au rebut d'une manière appropriée. Ce produit contient des accumulateurs lithium-ion. Les lois locales ou nationales interdisent de jeter les batteries au lithium-ion avec les ordures ménagères classiques. Contactez l'organisme local de gestion des déchets pour obtenir des informations concernant les possibilités existantes de mise au rebut et/ou de recyclage.
- Après avoir retiré le bloc-batterie, couvrez ses bornes avec un ruban adhésif de qualité industrielle. N'essayez pas de démonter ou détruire le bloc-batterie ou de retirer des composants quels qu'ils soient. Les batteries au lithium-ion doivent être recyclées ou éliminées selon une méthode appropriée. Ne touchez jamais leurs contacts avec des objets métalliques et/ou des parties de votre corps, car cela peut provoquer un court-circuit. Maintenez hors de portée des enfants. Ne pas respecter ces mises en garde peut provoquer des blessures graves et/ou un incendie.
- **EN CAS D'USAGE ABUSIF, DU LIQUIDE PEUT S'ÉCHAPPER DES PILES. ÉVITEZ TOUT CONTACT AVEC CE LIQUIDE. EN CAS DE CONTACT ACCIDENTEL, RINCEZ IMMÉDIATEMENT LES PARTIES ATTEINTES AVEC DE L'EAU. EN CAS D'ÉCLABOUSSURE DANS LES YEUX CONSULTEZ EN OUTRE UN MÉDECIN.** Le liquide qui s'échappe de la batterie peut provoquer des irritations et des brûlures.

SPÉCIFICATIONS

Numéro de modèle	LM2010E	LM2010E-SP	
Système d'avancement automatique	Pas	Oui	
Tension	56 V	56 V	
Régime à vide	3150 /min	3150 /min	
Hauteur de coupe	25-95 mm	25-95 mm	
Différentes hauteurs de coupe	6	6	
Taille du carénage	51 cm	51 cm	
Largeur de coupe	50 cm	50 cm	
Volume du bac de ramassage	60 L	60 L	
Poids de la tondeuse (sans batterie)	25,1 kg	28,1 kg	
Modèle de lame	AB2001	AB2001	
Niveau de puissance acoustique mesuré L_{WA}	94 dB(A)	94,32 dB(A)	
Niveau de pression acoustique au niveau des oreilles de l'opérateur L_{PA} K=2,5 dB(A)	82,5 dB(A)	85,6 dB(A)	
Niveau de puissance acoustique garantie L_{WA} (conformément à la norme 2000/14/CE)	96 dB(A)	96 dB(A)	
Vibration a_{hv} K=1,5 m/s ²	Poignée gauche	3,65 m/s ²	1,08 m/s ²
	Poignée droite	1,64 m/s ²	0,88 m/s ²
Frein de lame	Oui	Oui	

- La valeur totale des vibrations indiquée a été mesurée selon une procédure conforme à une méthode de test standardisée et peut servir pour comparer différents outils.
- La valeur totale des vibrations indiquée peut également servir pour effectuer une première évaluation de l'exposition.

REMARQUE: Le niveau de vibrations lors de l'utilisation réelle de l'outil peut être différent de la valeur déclarée totale en fonction de la manière dont l'outil est utilisé ; Afin de protéger l'opérateur, l'utilisateur doit porter des gants et des protecteurs d'oreilles en conditions réelles d'utilisation.

CONTENU DE L'EMBALLAGE

NOM DE PIÈCE	QUANTITÉ
Tondeuse	1
Sac de déchets de coupe	1
Cadre du sac de déchets de coupe	1
Insert pour déchetage	1
Sortie d'évacuation latérale	1
Clé de sécurité	2
Manuel d'utilisation	1

DESCRIPTION

DESCRIPTION DE VOTRE TONDEUSE (Images A, B, C, D et E)

1. Levier d'avancement automatique
2. Guidon
3. Levier d'interrupteur
4. Bouton d'interrupteur
5. Bac de ramassage
6. Bouton de réglage rapide
7. Levier de réglage de la hauteur de coupe
8. Roue arrière
9. Déflecteur d'éjection latérale
10. Capot de la bouche d'éjection latérale
11. Carénage de la tondeuse
12. Lampes avant à LED
13. Roue avant
14. Couvercle du logement de la batterie
15. Poignée arrière
16. Capot de la bouche d'éjection arrière
17. Levier de contrôle de la vitesse d'avancement automatique
18. Bouclier arrière
19. Logement de la clé de sécurité
20. Bouton de déblocage de la batterie
21. Interrupteur des lampes à LED
22. Indicateur de fonctionnement de la tondeuse
23. Obturateur de mulching
24. Déflecteur d'éjection latérale

UTILISATION

ASSEMBLAGE DU SAC DE DÉCHETS DE COUPE

- 1) Glissez le sac de déchets de coupe sur le cadre (Image F).
- 2) Fixez les attaches supérieures sur le cadre (Image G), puis fixez les deux attaches latérales. Fixez ensuite l'attache inférieure.
- 3) Le bac de ramassage entièrement assemblé est montré sur l'image H.

FR

RÉGLER LE GUIDON PLIANT

⚠ AVERTISSEMENT : N'essayez pas de démarrer la tondeuse tant que son guidon n'est pas verrouillé dans l'une des trois positions de travail préréglées (POSITION DE TRAVAIL HAUTE, POSITION DE TRAVAIL MÉDIANE ou POSITION DE TRAVAIL BASSE).

Votre tondeuse est fournie avec son guidon replié dans la POSITION DE RANGEMENT VERROUILLÉE (Image I).

- 1) Tirez vers l'extérieur les deux boutons de réglage rapide et tournez-les de 90° pour débloquer le guidon de la POSITION DE STOCKAGE VÉROUILLÉE.
- 2) Relevez le guidon. Faites doucement pivoter le guidon vers l'arrière jusqu'à ce qu'il atteigne l'une des trois différentes positions indiquées sur l'image J. Tournez les boutons de 90° jusqu'à entendre et sentir les goupilles de blocage d'encastrement dans la bonne position.

Image J Description des pièces, voir ci-dessous :

J-1	Position de travail haute
J-2	Position de travail médiane
J-3	Position de travail basse
J-4	Position de stockage verrouillée

REMARQUE : Les deux boutons de réglage rapide doivent être à la même hauteur pendant le réglage pour qu'ils puissent s'engager en position en même temps.

ASSEMBLER/RETIRER LE BAC DE RAMASSAGE / L'OBTURATEUR DE MULCHING

⚠ AVERTISSEMENT : N'essayez jamais d'effectuer un réglage sur la tondeuse à gazon sans d'abord arrêter le moteur, retirer la clé de sécurité et attendre que la lame se soit arrêtée de tourner.

REMARQUE : Assemblez les accessoires sur la tondeuse à gazon avant de commencer à tondre.

- **Assembler/Retirer le bac de ramassage (Image K)**
Réglez le guidon dans la position de travail appropriée. Relevez le capot de la bouche d'éjection arrière et accrochez le bac de ramassage sur la barre. Pour retirer le bac de ramassage, relevez-le simplement pour le défaire de la barre. Pour terminer, relâchez le capot de la bouche d'éjection arrière.

REMARQUE : Retirez l'obturateur de mulching pré-installé dans la tondeuse avant d'assembler le bac de ramassage sur la tondeuse.

- **Assembler/Retirer l'obturateur de mulching (Image L)**
Relevez le capot de la bouche d'éjection arrière et insérez l'obturateur de mulching dans la tondeuse. Pour le retirer, tirez-le simplement hors de la tondeuse. Pour terminer, relâchez le capot de la bouche d'éjection arrière.

- **Assembler/Retirer le déflecteur d'éjection latérale (Image M)**
Relevez le capot de la bouche d'éjection latérale. Alignez les rainures du déflecteur d'éjection latérale avec les ergots du capot de la bouche d'éjection latérale et relâchez doucement le capot pour le faire pivoter autour de la barre jusqu'à ce qu'il repose solidement sur le déflecteur d'éjection latérale. Pour démonter le déflecteur d'éjection latérale, relevez le capot de la bouche d'éjection latérale, relevez le déflecteur et défaites-le des ergots du capot.

Image M Description des pièces, voir ci-dessous :

M-1	Side-discharge Door
M-2	Assembly Knob
M-3	Assembly Slot
M-4	Side-discharge Chute

RÉGLER LA HAUTEUR DE COUPE (Image N)

AVERTISSEMENT : Tenez vos pieds loin du plateau de coupe lorsque vous en réglez la hauteur. La tondeuse peut être réglée à 6 hauteurs de coupe différentes variant de 20 mm à 90 mm. Choisissez la hauteur de coupe appropriée en fonction du type et de l'état du gazon

REMARQUE : Lorsque vous déplacez l'outil, assurez-vous que la taille de coupe est ajustée à la position 3 ou plus. Ne pas respecter cette exigence peut endommager la lame.

INSÉRER/RETIRER LA BATTERIE (Image O)

RECHARGEZ LA BATTERIE AVANT LA PREMIÈRE UTILISATION.

AVERTISSEMENT : S'il y a des pièces manquantes ou endommagées, ne tentez pas d'installer le bloc-batterie sur la tondeuse ou de faire fonctionner celle-ci tant que les pièces manquantes ou endommagées n'ont pas été remplacées. Cela pourrait provoquer des blessures graves.

■ Insertion

Poussez sur le bloc-batterie jusqu'à ce que vous entendiez un « clic ». Le bouton d'éjection de la batterie se relèvera lorsque le bloc-batterie est solidement fixé.

■ Retrait

Appuyez sur le bouton de déblocage de la batterie dans le logement de la batterie.

Image O Description des pièces, voir ci-dessous :

O-1	Logement de la clé de sécurité
O-2	Clé de sécurité
O-3	Bouton de déblocage de la batterie

Remarque: Avant d'utiliser l'appareil, assurez-vous que le verrou de la tondeuse se loge en place et que le bloc-batterie est bien fixé.

DÉMARRER ET ÉTEINDRE LA TONDEUSE

AVERTISSEMENT : L'utilisation de toute tondeuse peut provoquer la projection de corps étrangers dans les yeux et ainsi entraîner des lésions oculaires graves. Portez toujours des lunettes de sécurité lorsque vous utilisez la tondeuse, ainsi que lors d'un réglage ou d'une réparation.

AVERTISSEMENT : Veillez à ce que les autres personnes et les animaux restent à au moins 30m de la tondeuse lorsqu'elle est en marche.

AVERTISSEMENT : La lame continuera à tourner pendant quelques secondes après l'arrêt de la tondeuse. Attendez que le moteur et les lames cessent de tourner avant de remettre la tondeuse en marche. N'arrêtez et ne redémarrez pas rapidement la tondeuse.

CLÉ DE SÉCURITÉ

Pour éviter un démarrage accidentel ou une utilisation non autorisée de votre tondeuse sans fil, une clé de sécurité amovible a été incorporée dans la conception de votre tondeuse. La tondeuse est entièrement désactivée quand la clé de sécurité a été retirée de la tondeuse.

DANGER : Les lames en rotation peuvent provoquer des blessures graves. Pour éviter des blessures graves, retirez la clé de sécurité quand la tondeuse n'est pas surveillée, avant d'effectuer un réglage, un nettoyage, une réparation, avant de la transporter, de la soulever ou de la ranger.

Démarrer l'outil (Image Q)

- 1) Insérez la batterie dans la tondeuse, insérez la clé de sécurité dans le logement prévu et fermez le couvercle du logement de la batterie (Image O).
- 2) Conformément à l'image P, appuyez sur le bouton de sécurité.
- 3) Avec le bouton de sécurité appuyé, tirez le levier d'interrupteur vers le haut contre le guidon, puis relâchez le bouton de sécurité.

Éteindre l'outil (Image R)

- 1) Relâchez le levier d'interrupteur.
- 2) Le frein électrique du mécanisme de freinage automatique stoppe la rotation de la lame dans les 3 secondes après que vous ayez relâché le levier d'interrupteur.

SYSTÈME D'AVANCEMENT AUTOMATIQUE À VITESSE VARIABLE (LM2010E-SP)

La tondeuse LM2010E-SP est pourvue d'un système d'avancement automatique à vitesse variable. Ce système est indépendant de l'interrupteur marche/arrêt de la lame, il ne dépend pas de la rotation de la lame.

Pour utiliser ce système sans la rotation de la lame, tirez le levier d'avancement automatique vers le guidon.

Pour l'éteindre, relâchez le levier d'avancement automatique.

La vitesse du système est variable. Pour accroître la vitesse, déplacez le levier de contrôle de la vitesse d'avancement automatique vers l'avant. Pour réduire la vitesse, déplacez le levier de contrôle de la vitesse d'avancement automatique vers l'arrière (Image S).

Utilisation avec la lame en rotation pour tondre :

1. Démarrez la tondeuse à gazon
2. Tout en maintenant le levier d'interrupteur contre le guidon de la main gauche, tirez le levier d'avancement automatique vers le guidon de la main droite.
3. Maintenez simultanément le levier d'interrupteur et le levier d'avancement automatique contre le guidon avec la main droite et réglez avec la main gauche le levier de contrôle de la vitesse d'avancement automatique sur la vitesse désirée.

⚠ AVERTISSEMENT : Pour réduire le risque de blessure, n'essayez jamais de fausser le fonctionnement du système d'avancement automatique ou du système de l'interrupteur. Utilisez la fonction d'avancement automatique exclusivement à l'usage pour lequel elle a été conçue.

LAMPES DE TRAVAIL À LED DE LA TONDEUSE (Image A-12)

Appuyez sur l'interrupteur (Image C-21) pour allumer/éteindre les lampes de travail à LED sur l'avant du logement de la batterie.

INDICATEUR DE FONCTIONNEMENT DE LA TONDEUSE (Image D-22)

La tondeuse est munie d'un indicateur de mise en marche qui indique la capacité de charge du bloc-batterie et l'état de fonctionnement de la tondeuse. L'indicateur de mise en marche s'allume lorsque la lame tourne ou lorsque les phares à DEL sont allumés.

FR

Indicateur de mise en marche de la tondeuse	Signification	Action
Brille en vert	La tondeuse fonctionne correctement, la batterie dispose d'au moins 15% de sa charge.	N/A
Brille en rouge	Batterie faible.	Arrêtez la tondeuse et chargez la batterie
Clignote en rouge	La batterie est presque déchargée	Arrêtez la tondeuse et chargez la batterie
Brille en orange	La tondeuse ou le bloc- batterie est en surchauffe.	Enlevez la batterie de la tondeuse, mettez-les à l'ombre et laissez-les refroidir au moins 15 minutes.
Clignote en orange	La tondeuse est en surcharge.	Ralentissez votre rythme ou élevez la hauteur de coupe pour diminuer la charge.

PROTECTION CONTRE LA SURCHARGE DE LA TONDEUSE

Pour éviter les surcharges, n'essayez pas de couper trop d'herbe en même temps. Ralentissez votre rythme ou relevez la hauteur de coupe.

Votre tondeuse est pourvue d'une protection intégrée contre la surcharge. Si la tondeuse est en surcharge, son moteur s'arrête et son indicateur de fonctionnement clignote en orange. Retirez la batterie de la tondeuse. Inspectez le dessous du carénage pour voir si des herbes s'y sont accumulées et enlevez-les si nécessaire, puis réinsérez la batterie et redémarrez la tondeuse.

PROTECTION CONTRE LA SURCHAUFFE DE LA BATTERIE

Le bloc-batterie génère de la chaleur lorsque la tondeuse est en marche. Lorsqu'il fait chaud, la chaleur se dissipe plus lentement. Si la température du bloc-batterie dépasse 70 °C, le circuit de protection éteint immédiatement la tondeuse pour éviter d'endommager le bloc-batterie. Un voyant orange s'allume sur l'indicateur de mise en marche.

Relâchez la poignée de désengagement, attendez que le bloc-batterie ait refroidi jusqu'à une température d'environ 67 °C, puis redémarrez la tondeuse.

ENTRETIEN

AVERTISSEMENT : Afin de vous prémunir contre des blessures corporelles graves, retirez toujours la clé de sécurité et la batterie de la tondeuse avant toute opération de nettoyage ou d'entretien.

AVERTISSEMENT : L'outil ne doit être réparé qu'avec des pièces de rechange identique. L'utilisation de toute autre pièce peut créer un danger ou détériorer le produit. Pour garantir la sécurité et la fiabilité, toutes les réparations et tous les changements de pièce doivent être effectués par un réparateur qualifié.

NETTOYER LA TONDEUSE À GAZON

AVERTISSEMENT : Retirez toujours la clé de sécurité et la batterie pendant l'entretien ou le transport de la tronçonneuse.

Le dessous du carénage de la tondeuse doit être nettoyé après chaque utilisation, car les herbes coupées, les feuilles, la terre et les autres débris s'y accumulent. Cette accumulation est indésirable, car elle favorise la rouille et la corrosion des pièces métalliques et réduit l'efficacité de coupe de la tondeuse.

Enlevez les feuilles et les herbes accumulées sur et autour de l'axe d'entraînement (uniquement le modèle LM2010E-SP) et du ventilateur du moteur (n'utilisez pas d'eau). Essuyez la tondeuse avec un chiffon humidifié pour la nettoyer.

DÉMONTER/ASSEMBLER LA LAME

AVERTISSEMENT : Protégez toujours vos mains en portant des gants épais ou en enroulant les bords coupants de la lame dans des chiffons ou d'autres matériaux lors de l'entretien de la lame de la tondeuse.

■ Démontez la lame (Image V)

REMARQUE : Si le boulon tourne avec l'axe du moteur lors du desserrage du boulon, tournez le ventilateur à la main pour aligner les trous du ventilateur avec les trous de la lame et placez une autre tige métallique dans les trous alignés

■ Assembler la lame

Procédez comme montré sur l'image U. Placez le ventilateur du côté du carénage et placez le côté imprimé de la lame vers l'extérieur, alignez les trous du ventilateur avec les trous de la lame (Image W), puis vissez la lame comme montré sur l'image X.

Images U et V Description des pièces, voir ci-dessous :

U-1	Ventilateur	U-5	Boulon
U-2	Bride interne	V-1	Stabilisateur 1
U-3	Bride externe	V-2	Stabilisateur 2
U-4	Lame	V-3	Clé de 14 mm

Assembler la lame

■ Procédez comme montré sur l'image V. Placez le ventilateur du côté du carénage et placez le côté imprimé de la lame vers l'extérieur, alignez les trous du ventilateur avec les trous de la lame (Image W), puis vissez la lame comme montré sur l'image X.

RANGER LA TONDEUSE À GAZON

- Retirez le bloc-batterie de la tondeuse et remisez-le dans un endroit frais et sec.
- Graissez la tondeuse.
- Remisez la tondeuse dans un endroit couvert, fermé, frais et sec, hors de portée des enfants.
- Ne couvrez pas la tondeuse d'une feuille de plastique solide. Les couvertures de plastique emprisonnent l'humidité autour de la tondeuse, ce qui provoque rouille et corrosion.
- La tondeuse peut être rangée verticalement ou horizontalement (Image Y).

AVERTISSEMENT : Si la tondeuse se renverse à partir de la position verticale, cela pourrait l'endommager ou causer des blessures. Assurez-vous que la tondeuse est toujours stable et hors de portée des enfants lorsqu'elle est en position verticale. Dans la mesure du possible, remisez-la à plat.



Protection de l'environnement



Ne jetez pas les équipements électriques, les chargeurs de batterie, les batteries rechargeables et les piles avec les ordures ménagères !

Conformément à la direction européenne 2012/19/EU, les équipements électriques et électroniques qui ne sont plus utilisables, et conformément à la directive européenne 2006/66/CE, les batteries rechargeables et les piles usagées ou défectueuses doivent être collectés séparément.

Si les appareils électriques sont jetés dans des décharges ou des dépôts d'ordures, des substances dangereuses peuvent s'infiltrer jusque dans la nappe phréatique et entrer dans la chaîne alimentaire, avec un effet néfaste sur votre santé et votre bien-être.

DÉCLARATION DE CONFORMITÉ CE

Nous, CHERVON EUROPE LTD.

47 CASTLE STREET, READING, RG1 7SR, UNITED KINGDOM

Déclarons que le produit ci-dessous **tondeuse sans fil au lithium-ion de 56V LM2010E/LM2010E-SP**, satisfait aux exigences sanitaires et de sécurité essentielles des directives suivantes:

2006/42/CE, 2004/108/CE, 2011/65/UE, 2000/14/CE

Normes et spécifications techniques visées :

EN 60335-1, EN 60335-2-77, EN 62233, EN 55014-1, EN 55014-2

	LM2010E	LM2010E-SP
Niveau de puissance acoustique mesuré	94 dB(A)	94,32 dB(A)
Niveau de puissance acoustique garanti	96 dB(A)	96 dB(A)

FR

Peter Melrose
Vice-Président de Chervon Europe

Dong Jianxun
Directeur Qualité de Chervon

* (Représentant autorisé par CHERVON et responsable de la documentation technique)

01/01/2016

DÉPANNAGE

⚠ AVERTISSEMENT: Retirez toujours la clé de sécurité et le bloc-batterie lorsque vous procédez à l'entretien de la tondeuse ou que vous la transportez. Protégez-vous toujours les mains en portant des gants épais ou en recouvrant les bords coupants à l'aide de chiffons ou d'autres matériaux lorsque vous effectuez des opérations d'entretien de la lame de la tondeuse.

FR

PROBLÈME	CAUSE	SOLUTION
La tondeuse ne démarre pas.	<ul style="list-style-type: none"> ■ La batterie est déchargée. ■ La batterie n'est pas placée dans le logement de la batterie. ■ La batterie ou les circuits de la tondeuse sont trop chauds. (Un voyant orange s'allume sur l'indicateur de mise en marche pendant 10 secondes.) ■ Les barres latérales ne sont pas allongées à la longueur maximale et les pinces ne sont pas verrouillées en place. ■ La poignée n'est pas réglée dans l'une des deux positions d'utilisation. ■ Le plateau de coupe est obstrué d'herbe et de débris. 	<ul style="list-style-type: none"> ■ Rechargez la batterie. ■ Insérez la batterie dans la tondeuse, appuyez dessus jusqu'à entendre un dé clic. ■ Laissez la batterie ou la tondeuse refroidir jusqu'à ce que sa température devienne inférieure à 67°C. ■ Allongez complètement la poignée et verrouillez les pinces. ■ Réglez la poignée sur l'une des deux positions d'utilisation. ■ Nettoyez le plateau de coupe et assurez-vous que la lame peut bouger librement.
La tondeuse coupe de façon inégale	<ul style="list-style-type: none"> ■ Lame émoussée. ■ La hauteur de coupe n'est pas réglée correctement. ■ La lame n'est pas fixée correctement. 	<ul style="list-style-type: none"> ■ Affûtez ou remplacez la lame. ■ Augmentez la hauteur de coupe du plateau. ■ Remontez la lame, en consultant la section « INSTALLATION DE LA LAME » de ce guide.
La tondeuse s'arrête en cours d'utilisation	<ul style="list-style-type: none"> ■ La batterie est déchargée. ■ La tondeuse est en surcharge. ■ Le plateau de coupe de la tondeuse est obstrué d'herbe et de débris. ■ La batterie ou les circuits de la tondeuse sont trop chauds. (Un voyant orange s'allume sur l'indicateur de mise en marche pendant 10 secondes.) ■ La barre latérale est légèrement rétractée due à la force exercée sur la poignée. 	<ul style="list-style-type: none"> ■ Rechargez la batterie. ■ Augmentez la hauteur de coupe ou ralentissez le rythme de tonte. ■ Nettoyez le plateau de coupe. Augmentez la hauteur ou réduisez la largeur de coupe. ■ Laissez la batterie ou la tondeuse refroidir jusqu'à ce que sa température devienne inférieure à 67°C. ■ Déverrouillez les pinces. Allongez complètement les barres latérales et verrouillez de nouveau les pinces.



PROBLÈME	CAUSE	SOLUTION
La tondeuse ne déchiquette pas correctement	<ul style="list-style-type: none">■ Des brins d'herbe mouillés sont collés sous le plateau.■ La tondeuse est réglée pour couper trop d'herbe.	<ul style="list-style-type: none">■ Attendez que l'herbe sèche avant de la tondre.■ Augmentez la hauteur de coupe du plateau.
Vibration excessive	<ul style="list-style-type: none">■ La lame de coupe n'est pas bien serrée.■ La lame de coupe n'est pas équilibrée.■ La lame coupante est déformée■ Axe du moteur tordu.	<ul style="list-style-type: none">■ Serrez le boulon de lame.■ Équilibrez la lame en respectant les instructions.■ Remplacez la lame■ Communiquez avec le centre de service.
Il est impossible de verrouiller les pinces de verrouillage de la poignée en place	<ul style="list-style-type: none">■ Les barres latérales ne sont pas complètement allongées.	<ul style="list-style-type: none">■ Allongez complètement les barres latérales, puis verrouillez les pinces.

FR

GARANTIE

POLITIQUE DE GARANTIE EGO

Rendez-vous sur le site Internet egopowerplus.com pour consulter les termes et conditions complets de la politique de garantie EGO.

LEA TODAS LAS INSTRUCCIONES!



ASEGÚRESE DE LEER Y ENTENDER PERFECTAMENTE EL MANUAL DE INSTRUCCIONES

ES

⚠ Riesgo residual! Aquellas personas con implantes electrónicos, tales como marcapasos, deberán consultar a su médico antes de utilizar este producto. La utilización de equipos eléctricos a proximidad de un marcapasos podría causar en este interferencias o averías.

⚠ ADVERTENCIA: Para garantizar la seguridad y fiabilidad de la herramienta, confíe cualquier reparación y sustitución de piezas que sea necesaria a personal técnico cualificado.

Uso previsto y uso indebido previsible: El producto está previsto para cortar el césped únicamente en jardines particulares. No debe usarse para segar e césped excesivamente alto, seco o la hierba mojada, por ejemplo pastos, ni para triturar hojas. El producto debe utilizarse únicamente para el fin previsto. Cualquier otro uso se considerará uso indebido.

SÍMBOLOS RELACIONADOS CON LA SEGURIDAD

El propósito de los símbolos de seguridad es el de atraer su atención hacia los posibles peligros que conlleva la utilización del producto. Los símbolos de seguridad y las explicaciones que los acompañan requieren su máxima atención y comprensión. Por sí solos, los símbolos de advertencia no eliminan los posibles peligros que pudieran existir. Las instrucciones y advertencias que aquí se incluyen no son sustitutas en modo alguno de las medidas de prevención adecuadas que deben tomarse para evitar posibles accidentes.

ADVERTENCIA: Antes de utilizar esta herramienta, asegúrese de haber leído y entendido perfectamente todas las instrucciones incluidas en este Manual del usuario, incluidos todos los símbolos de aviso sobre seguridad, tales como **"PELIGRO"**, **"ADVERTENCIA"** y **"PRECAUCIÓN"**. De no observarse todas las instrucciones proporcionadas a continuación podría existir un riesgo de incendio, electrocución, así como de lesiones físicas graves.

SIGNIFICADO DE LOS DISTINTOS SÍMBOLOS

SÍMBOLO DE AVISO DE SEGURIDAD: señala algún tipo de **PELIGRO**, **ADVERTENCIA** o **PRECAUCIÓN** a tener en cuenta. Este símbolo podrá utilizarse de manera conjunta con otros símbolos o pictogramas.

⚠ ADVERTENCIA: Es posible que, cuando se utilizan herramientas eléctricas, salgan despedidos objetos que podrían causar lesiones oculares severas si no se utiliza equipo de protección personal adecuado. Antes de empezar a usar herramientas eléctricas, póngase siempre gafas de seguridad, gafas con cristales anti-impacto que cuenten con pantallas de protección lateral, o bien una máscara facial que proteja completamente la cara. Recomendamos la utilización de máscaras de seguridad de amplia visión que pueden utilizarse encima de gafas graduadas, o bien gafas normales de seguridad equipadas con pantallas laterales.

INSTRUCCIONES RELACIONADAS CON LA SEGURIDAD

Esta página muestra y describe los símbolos de seguridad que puede haber en este producto. Asegúrese de leer, entender perfectamente y observar todas las instrucciones estampadas o proporcionadas con el producto antes de proceder a su montaje y utilización.

	Aviso de seguridad	Se trata de precauciones relacionadas con su seguridad.
	Utilizar protección ocular	Utilice siempre utilice gafas de seguridad, gafas con cristales anti-impacto que cuenten con pantallas de protección lateral, o bien una máscara facial que proteja completamente la cara cuando se sirva de este producto.
	ADVERTENCIA: Leer el Manual del usuario	Para reducir en lo posible el riesgo de lesiones, será necesario leer y entender perfectamente el Manual del usuario antes de proceder a utilizar este producto.

	Tener cuidado con la cuchilla, ya que está muy afilada.	La cuchilla sigue girando durante unos instantes tras haber apagado el motor - Accione el dispositivo de bloqueo o corte de alimentación del motor antes de proceder a efectuar tareas de mantenimiento en la herramienta. Desconecte y retire el acumulador recargable (o accione el dispositivo de bloqueo o corte de alimentación) antes de efectuar ajustes o limpiar la herramienta.
	Mantener a terceros apartados de la zona donde se esté utilizando la herramienta	Asegúrese de que las personas y los animales domésticos se mantengan a una distancia de seguridad prudente de al menos 30 metros de la zona donde se esté utilizando el cortacésped.
	Protección de la carcasa perteneciente a la Clase II	Carcasa con doble aislamiento.
IPX4	Símbolo de tipo de protección IP	Protección de nivel 4 contra la penetración de agua
V	Voltios	Tensión
A	Amperios	Corriente
Hz	Hercios	Frecuencia (ciclos por segundo)
W	Vatios	Potencia eléctrica
min	Minutos	Tiempo
	Corriente alterna	Tipo de corriente
	Corriente continua	Tipo o característica de la corriente
n_0	Velocidad en vacío	Velocidad de giro, sin carga
... /min	Por minuto	Revoluciones por minuto

PAUTAS DE SEGURIDAD PARA CORTACÉSPEDES QUE FUNCIONAN A BATERÍA

⚠ ¡PELIGRO! Esta herramienta ha sido diseñada para utilizarse conforme a las pautas de uso seguro incluidas en este manual. Al igual que sucede con cualquier equipo eléctrico o neumático, cualquier descuido o error por parte del usuario puede dar lugar a lesiones físicas graves. Esta herramienta puede provocar lesiones en manos y pies, así como lanzar objetos. De no observarse estas instrucciones de seguridad, podrían sufrirse lesiones graves o incluso mortales.

⚠ ADVERTENCIA: Cuando se utilicen cortacéspedes inalámbricos, deberán adoptarse siempre ciertas precauciones de seguridad básicas a fin de reducir posibles riesgos de incendio, electrocución y lesiones físicas.

IMPORTANTE

LEA DETENIDAMENTE TODAS LAS INSTRUCCIONES ANTES DE UTILIZAR LA HERRAMIENTA. CONSERVE ESTA INFORMACIÓN COMO REFERENCIA FUTURA.

PAUTAS DE SEGURIDAD PARA CORTACÉSPEDES A BATERÍA

¡PRECAUCIÓN! ¡NO TOQUE LA CUCHILLA GIRATORIA!

FORMACIÓN

- Lea detenidamente las instrucciones proporcionadas. Familiarícese con los mandos, así como con la manera correcta de utilizar su herramienta.
- Nunca permita que niños o aquellas personas que no estén familiarizadas con estas instrucciones utilicen la herramienta. En algunos casos, es posible que la legislación local estipule una edad mínima para poder utilizar este tipo de herramientas.
- Nunca utilice el cortacésped cuando haya cerca otras personas, especialmente niños, o mascotas.
- El operario o usuario de la herramienta será responsable de cualquier accidente o peligro que su utilización pudiera suponer para otras personas o bienes de terceros.

PREPARATIVOS PRELIMINARES

- Lleve siempre calzado robusto y pantalones largos cuando utilice el cortacésped.
- No utilice la herramienta cuando vaya descalzo o lleve puestas sandalias abiertas. Evite llevar ropa holgada o con de la que cuelguen cordones o cintas.

ES

UTILIZACIÓN

- Examine minuciosamente la zona donde vaya a utilizarse la herramienta y elimine piedras, ramas, cables, huesos o cualquier objeto que pudiera salir despedido durante la utilización de la herramienta.
- Antes de utilizar la herramienta, examine las cuchillas, sus tornillos y el conjunto del sistema de corte por si presentasen desgaste o daños. Sustituya simultáneamente la cuchilla dañada o desgastada con sus tornillos para mantener así el equilibrado correcto del conjunto. Asimismo, sustituya cualquier etiqueta dañada o ilegible.
- Utilice el cortacésped solo a plena luz del día o cuando se cuente con iluminación artificial adecuada.
- Siempre que sea posible, evite utilizar la herramienta para cortar hierba húmeda.
- Asegúrese siempre de tener los pies firmemente apoyados sobre el suelo cuando utilice la herramienta en pendientes o terreno con desniveles.
- Desplácese lentamente mientras utiliza la herramienta; nunca corra.
- En el caso de cortacéspedes rotativos con ruedas, corte la hierba desplazándose perpendicularmente a la pendiente y no cuesta arriba o cuesta abajo.
- Extreme los cuidados al cambiar de dirección mientras utiliza la herramienta en pendientes.
- No corte el césped en terrenos excesivamente inclinados.
- Extreme la precaución al retroceder o al tirar hacia usted de la herramienta.
- Detenga el funcionamiento de la cuchilla en caso de que sea necesario volcar el cortacésped para transportarlo, así como al atravesar superficies que no sean de hierba y al transportarlo hasta y desde su lugar de uso.
- Nunca utilice la herramienta con sus guardas de protección dañadas o sin sus dispositivos de seguridad instalados, como por ejemplo, sin deflectores o sin el recogedor de hierba en su lugar.
- Arranque el motor con cuidado, observando las instrucciones proporcionadas y asegurándose de mantener los pies bien apartados de la cuchilla o cuchillas.
- No incline la herramienta mientras arranca el motor, a menos que sea estrictamente necesario inclinarla para poder ponerla en marcha. En ese caso, no incline la herramienta más de lo absolutamente necesario y eleve únicamente la parte que queda más alejada del usuario. Asegúrese siempre de colocar ambas manos en la posición de utilización de la herramienta antes de volver a apoyarla en el suelo.
- No ponga en marcha la máquina estando delante de la tobera de descarga.
- No coloque manos o pies cerca o debajo de los elementos en rotación. En el caso de cortacéspedes rotativos, manténgase apartado en todo momento de su tobera de descarga.
- Nunca levante ni transporte una herramienta con el motor en marcha.
- Desconecte y retire el acumulador recargable (o accione el dispositivo de bloqueo o corte de alimentación) y asegúrese de que todas las piezas móviles se hayan parado completamente antes de hacer ajustes o limpiar la herramienta:
 - siempre que vaya a dejar la herramienta;
 - antes de eliminar un bloqueo o desatascar la descarga;
 - antes de comprobar, limpiar o llevar a cabo cualquier operación en la herramienta;
 - tras haber golpeado algún objeto extraño con el elemento de corte; En tal caso, examine la herramienta por si hubiera sufrido daños y efectúe las reparaciones que sean necesarias.
- En caso de que se produzcan vibraciones anormales en la herramienta (verifique inmediatamente):
 - compruebe la posible existencia de daños;
 - sustituya o repare cualquier pieza dañada;
 - compruebe y reapriete cualquier elemento suelto.

MANTENIMIENTO Y ALMACENAMIENTO

- Al efectuar ajustes, extreme las precauciones para evitar atraparse los dedos entre la cuchilla rotativa y los elementos fijos de la herramienta.
- Asegúrese de que todas las tuercas, fijaciones y tornillos estén correctamente apretados para garantizar que la herramienta se encuentre en perfectas condiciones de funcionamiento seguro.
- Compruebe frecuentemente el recogedor de hierba para determinar la posible existencia de desgaste o deterioro.
- Por razones de seguridad, sustituya aquellas piezas que presenten cualquier tipo de desgaste o daños.
- Cuando realice tareas de mantenimiento en las cuchillas, tenga en cuenta que, a pesar de haber apagado la fuente de corriente, las cuchillas pueden seguir girando.
- En el caso de cortacéspedes rotativos, asegúrese de utilizar únicamente el tipo correcto de cuchilla de recambio.

SEGURIDAD PERSONAL

Podrían producirse accidentes trágicos si el usuario no se percata de la presencia de niños en la zona donde está utilizando la herramienta. Los niños suelen sentir curiosidad tanto por el cortacésped como por la operación de corte de hierba. No siempre son conscientes de los peligros implicados. Nunca asuma que los niños permanecerán en el mismo lugar donde los haya visto anteriormente.

- Mantenga a los niños apartados de la zona donde se esté cortando la hierba y asegúrese de que estén supervisados por un adulto responsable que no sea el usuario.
- Manténgase alerta y apague el cortacésped en cuanto algún niño penetre en la zona donde se está utilizando la herramienta.
- Preste particular atención al aproximarse a esquinas sin visibilidad, entradas, arbustos, árboles u otros objetos que puedan impedirle percatarse de la presencia de algún niño que pudiese correr hacia el cortacésped.
- Hay que vigilar a los niños para asegurarse de que no jueguen con el cortacésped.
- Apague siempre el cortacésped antes de sacar el acumulador de la herramienta. Detenga el funcionamiento de la cuchilla en caso de que sea necesario volcar el cortacésped para transportarlo, así como al atravesar superficies que no sean de hierba y al transportarlo hasta y desde su lugar de uso.

UTILIZACIÓN

FUNCIONAMIENTO GENERAL:

- Lea detenidamente y en su totalidad de este manual del usuario antes de intentar montar esta herramienta. Asegúrese de leer, entender perfectamente y observar todas las instrucciones estampadas en la herramienta o proporcionadas en el manual antes de proceder a su utilización. Antes de servirse de la herramienta, familiarícese plenamente con sus mandos; así como con la manera correcta y segura de utilizarla. Conserve este manual en un lugar seguro para poder consultarlo en otra ocasión y a modo de referencia para solicitar piezas de repuesto.
- Use siempre la herramienta correcta para el trabajo a realizar. No utilice el cortacésped para ninguna otra operación que no sea la prevista.
- No se estire demasiado para alcanzar lugares de difícil acceso. Mantenga en todo momento un buen equilibrio y los pies firmemente apoyados en el suelo.
- Los objetos golpeados por la cuchilla del cortacésped podrían salir despedidos y provocar lesiones graves a las personas. Asegúrese siempre de examinar minuciosamente el césped y retirar cualquier objeto extraño antes de proceder a utilizar el cortacésped.

- Antes y mientras se desplaza hacia atrás con el cortacésped, compruebe que detrás de usted no haya niños pequeños ni otras personas.
- Esta herramienta no es un juguete. Por lo tanto, extreme las precauciones en todo momento. Su herramienta ha sido diseñada exclusivamente para efectuar un trabajo: cortar la hierba. No la utilice para cualquier otro propósito distinto al aquí descrito.
- No fuerce el cortacésped. La herramienta realizará el trabajo mejor y de manera más segura utilizándola a la velocidad para la que ha sido diseñada.
- Antes de utilizar la herramienta, examine las cuchillas, sus tornillos y el conjunto del sistema de corte por si presentasen desgaste o daños. Sustituya simultáneamente cualquier cuchilla dañada junto con sus tornillos y demás componentes a fin de garantizar el buen equilibrio del conjunto. Asimismo, sustituya cualquier etiqueta dañada o ilegible.
- Extreme la precaución al retroceder o al tirar hacia usted de la herramienta.
- Examine minuciosamente la zona donde vaya a utilizarse la herramienta. Retire todas las piedras, ramas, alambres, juguetes y demás objetos extraños que podría suponer un riesgo de tropiezo o ser golpeado por la cuchilla y salir despedido con fuerza. Los objetos lanzados por la acción de la herramienta podrían causar lesiones físicas graves. Planifique su recorrido para evitar la descarga de material hacia la calzada, aceras y otras personas que se encuentren cerca. Evite también el lanzamiento de objetos hacia paredes u obstáculos desde donde puedan rebotar y golpear al usuario.
- Para evitar cualquier riesgo de contacto con la cuchilla o de sufrir lesiones debido a objetos despedidos por esta, el usuario deberá permanecer siempre detrás del manillar de la herramienta y mantener a los niños u otras personas y a las mascotas apartados a una distancia mínima de 30m del cortacésped mientras esté en uso. Detenga inmediatamente la herramienta en cuanto alguien penetre en la zona donde se está utilizando.
- Utilice siempre gafas de seguridad o gafas con cristales anti-impacto que cuenten con pantallas de protección lateral mientras se sirve de la herramienta, así como al efectuar reparaciones en esta. Cualquier objeto que pudiera salir despedido y rebotar podría ocasionar lesiones oculares graves. Utilice siempre una mascarilla antipolvo o un aparato de protección respiratoria si el trabajo efectuado es propenso a generar polvo.
- Utilice ropa adecuada. No lleve puesta ropa holgada ni joyas. Existe el peligro de que pudieran quedar atrapadas en las partes móviles de la herramienta.

ES

Se recomienda utilizar de guantes de goma y calzado adecuado cuando trabaje al aire libre. Utilice botas o zapatos de trabajo robustos con suelas gruesas, así como pantalones y camisas ajustados. Se recomienda utilizar camisas de mangas largas y pantalones largos, así como zapatos o botas con punteras de acero. Nunca utilice esta herramienta yendo descalzo, llevando puestas sandalias abiertas o utilizando calzado liviano o de escaso agarre (por ejemplo, zapatillas de lona).

- No ponga las manos o los pies cerca de las piezas giratorias del cortacésped ni debajo de la plataforma de corte. Cualquier contacto accidental con la cuchilla podría provocarle lesiones graves en las manos o los pies.
- En caso de que la tapa de la tobera de descarga esté dañada o ausente, existirá el riesgo de contacto con la cuchilla o de sufrir lesiones debido a los objetos que pudieran salir despedidos por esta.
- Muchas las lesiones sufridas en los pies al utilizar un cortacésped se producen como resultado de algún tropiezo o resbalón. No se agarre al cortacésped en caso de sufrir una caída. Suelte inmediatamente el manillar.
- Nunca tire del cortacésped hacia atrás en dirección a usted mientras camina. Si tuviera que retroceder con el cortacésped tras haber alcanzado una pared o un obstáculo, mire primero hacia abajo y detrás de usted para evitar tropezar, y a continuación proceda como sigue:
 - Dé un paso hacia atrás para alejarse del cortacésped y poder extender totalmente los brazos.
 - Asegúrese de mantener un buen equilibrio y los pies firmemente apoyados en el suelo.
 - Tire lentamente del cortacésped hacia atrás, pero tan solo hasta una distancia equivalente a la mitad de la longitud de sus brazos.
 - Repita estos pasos las veces que sean necesarias.
- No utilice el cortacésped si se encuentra bajo los efectos de alcohol o drogas.
- Nunca utilice la herramienta con sus guardas de protección dañadas o sin sus dispositivos de seguridad instalados, como por ejemplo, sin deflectores o sin el recogedor de hierba en su lugar.
- Manténgase alerta y preste atención a lo que hace. Utilice su sentido común. No utilice el cortacésped si está cansado.
- La palanca de control del motor (cuchilla) es un dispositivo de seguridad. Nunca implemente modificaciones que pudieran impedir su funcionamiento correcto. De lo contrario, el dispositivo de seguridad no funcionaría como es debido y podría

sufrir lesiones físicas como consecuencia del contacto con la cuchilla en rotación. La palanca de control del motor (cuchilla) deberá desplazarse fácilmente en ambas direcciones y regresar automáticamente a su posición de desactivación al soltarla.

- Evite los entornos particularmente peligrosos. No utilice el cortacésped en hierba mojada o excesivamente húmeda.
- Tampoco lo utilice bajo la lluvia.
- Asegúrese siempre de tener los pies firmemente apoyados sobre el suelo. Cualquier resbalón o caída podrían ocasionar lesiones físicas graves. Si nota que pierde el equilibrio, suelte inmediatamente la palanca de control del motor (cuchilla) y la cuchilla dejará de girar al cabo de tres segundos.
- Detenga la cuchilla al cruzar con el cortacésped superficies de grava, caminos, calles, carreteras, etc.
- De observarse vibraciones anormales en la herramienta, apague el motor e investigue inmediatamente la causa. Las vibraciones suelen ser indicativo de alguna anomalía.
 - Compruebe la posible existencia de daños;
 - sustituya o repare cualquier pieza defectuosa o dañada;
 - compruebe y reapriete cualquier elemento suelto.
- Nunca utilice el cortacésped sin el faldón trasero, la tapa de la tobera de descarga, la bolsa colectora de hierba, el adaptador para triturado, la tolva de descarga lateral, la palanca de control del motor (cuchilla) o cualquier otro dispositivo de seguridad correctamente instalado en su sitio y en perfectas condiciones de funcionamiento. Nunca utilice el cortacésped si alguno de sus dispositivos de seguridad está dañado. De lo contrario, podrían producirse lesiones graves.
- De darse alguna situación que no estuviera cubierta en este manual, asegúrese de actuar con cuidado y buen juicio. Póngase en contacto con el departamento de atención al cliente de EGO en caso de que necesite asistencia al respecto.
- Utilice únicamente los modelos de acumuladores y cargadores indicados a continuación:

ACUMULADOR	CARGADOR
BA1120E, BA2240E, BA2800, BA3360, BA4200	CH5500E, CH2100E

- Deberá retirarse el acumulador de la herramienta antes de proceder a su eliminación.
- El acumulador deberá eliminarse de manera segura.

UTILIZACIÓN DE LA HERRAMIENTA EN PENDIENTES:

Las pendientes son un factor de riesgo importante a la hora de sufrir accidentes tales como resbalones y caídas que pueden resultar en lesiones graves. Asegúrese siempre de tener los pies firmemente apoyados sobre el suelo cuando utilice la herramienta en pendientes o terreno con desniveles. La utilización del cortacésped en pendientes requiere siempre extremar las precauciones. Si se siente inseguro en una pendiente, no utilice el cortacésped en ella.

Proceda como sigue:

- Corte el césped desplazándose perpendicularmente a la pendiente y nunca cuesta arriba o cuesta abajo. Extremar los cuidados al cambiar de dirección mientras utiliza la herramienta en pendientes.
- Preste atención a la existencia de socavones, roderas, piedras, objetos ocultos o bultos que puedan hacerle resbalar o tropezar. La hierba alta puede ocultar obstáculos.

Evite lo siguiente:

- No corte el césped cerca de precipicios, zanjas o terraplenes, ya que podría perder pie o el equilibrio.
- No corte el césped en pendientes de más de 15 grados.
- No corte hierba mojada. Una posición inestable de los pies puede provocar resbalones.

REPARACIONES

⚠ ADVERTENCIA: Los componentes de la bolsa colectora de hierba, así como la tapa de la tobera de descarga, la tolva de descarga lateral, el adaptador para triturado y el faldón trasero pueden sufrir daños y desgaste, que podrían dejar expuestas las piezas móviles o permitir que salga despedido algún objeto, aumentando el riesgo de lesiones. Por su propia seguridad, compruebe con frecuencia todos los componentes y, de presentar daños, sustitúyalos inmediatamente por piezas de repuesto idénticas, cuyas referencias se incluyen en este manual. Póngase en contacto con el departamento de atención al cliente o servicio de asistencia técnica EGO más cercano. Las reparaciones o sustituciones deberá efectuarlas un técnico cualificado.

- Si el interruptor de protección incorporado en el cortacésped se activa con frecuencia, póngase en contacto con el departamento de atención al cliente o el servicio de asistencia técnica de EGO más cercano.
- No limpie el cortacésped utilizando una manguera. Evite que penetre agua en el motor o en las conexiones eléctricas.
- Retire la llave de seguridad y almacene el cortacésped apagado en interiores cuando no esté en uso. Espere a que el motor se haya enfriado antes de guardarlo en algún espacio cerrado. El cortacésped deberá almacenarse en un lugar seco, elevado o cerrado con llave, fuera del alcance de niños.

- Al efectuar reparaciones, utilice únicamente recambios idénticos a las referencias de pieza incluidas en este manual. La utilización de recambios que no cumplan las especificaciones de los equipos originales podría dar lugar a un funcionamiento incorrecto y comprometer la seguridad de la herramienta.
- Retire o desconecte el acumulador antes de llevar a cabo cualquier operación de mantenimiento, limpieza o sustitución de piezas en el cortacésped.
- Siga las instrucciones de lubricación y cambio de accesorios indicadas.
- Mantenga las empuñaduras de la herramienta secas, limpias y libres de aceite y grasa.
- Para reducir el riesgo de incendio, mantenga la tapa del motor libre de hierba, hojas y suciedad.
- Compruebe a intervalos periódicos los tornillos de fijación de la cuchilla y del motor para asegurarse de que están correctamente apretados. Asimismo, examine visualmente la cuchilla por si presentara daños (por ejemplo, deformación, grietas o desgaste). Tan solo sustituya la cuchilla por otra idéntica a la original, cuya referencia se incluye en este manual.
- Efectúe el mantenimiento que sea necesario en su cortacésped. Mantenga la cuchilla bien afilada y limpia a fin de garantizar un funcionamiento más eficaz y seguro de su cortacésped. La cuchilla del cortacésped está muy afilada y puede provocar cortes. Envuelva la cuchilla en un paño o bien utilice guantes y exteme las precauciones al manipularla para su revisión.
- Nunca retire, modifique o anule los dispositivos de seguridad. Compruebe periódicamente su funcionamiento correcto. Nunca lleve a cabo modificaciones que interfieran con el funcionamiento previsto de los dispositivos de seguridad o reduzcan el nivel de protección que ofrecen.
- Apague siempre el motor antes de ajustar una rueda o la altura de corte.
- En caso de haber golpeado un objeto extraño, apague el motor, retire la llave de seguridad y examine minuciosamente el cortacésped por si presentase daños. Repare cualquier daño antes de volver a utilizar el cortacésped.
- Limpie o sustituya las etiquetas de instrucciones o seguridad cuando sea necesario. Póngase en contacto con el departamento de atención al cliente o servicio de asistencia técnica EGO más cercano. Las reparaciones o sustituciones deberá efectuarlas un técnico cualificado.
- **CONSERVE ESTAS INSTRUCCIONES.** Consúltelas con frecuencia y utilícelas para instruir a aquellas otras personas que vayan a usar esta herramienta. En caso de prestar esta herramienta a terceros, proporciónelas también estas instrucciones a fin de evitar su uso incorrecto y posibles riesgos de lesiones.

ES

UTILIZACIÓN Y CUIDADO DEL ACUMULADOR DE LA HERRAMIENTA

- Para contribuir a la conservación de los recursos naturales, recicle o elimine el acumulador correctamente. Esta herramienta incluye un acumulador de ion de litio. Las normativas nacionales o locales prohíben la eliminación de los acumuladores de ion de litio junto con los desperdicios domésticos. Consulte a su empresa municipal de recogida de basuras para obtener información acerca de las opciones disponibles para el reciclaje y/o la eliminación de este tipo de materiales.
- Tras retirar el acumulador a fin de proceder a su eliminación o reciclaje, cubra sus terminales con cinta adhesiva reforzada. No intente destruir o desmontar el acumulador, ni retirar ninguno de sus componentes. Los acumuladores de ion de litio deberán reciclarse o eliminarse de la manera adecuada. Además, evite tocar los terminales del acumulador con objetos metálicos o con elementos de la carcasa de la herramienta, ya que podría provocar un cortocircuito. Manténgalo fuera del alcance de niños. De ignorarse estas advertencias, aumentará el riesgo de incendio, electrocución, así como de sufrir lesiones físicas graves.
- **EN CONDICIONES DE USO INTENSIVO, ES POSIBLE QUE SE PRODUZCA UNA FUGA DE ÁCIDO DE LOS ACUMULADORES. EVITE CUALQUIER CONTACTO CON DICHO ELECTRÓLITO. DE PRODUCIRSE CUALQUIER CONTACTO ACCIDENTAL, ENJUAGUE LA ZONA CORPORAL AFECTADA CON ABUNDANTE AGUA. SI EL ELECTRÓLITO LLEGARA A PENETRAR EN LOS OJOS, DEBERÁ SOLICITARSE ATENCIÓN MÉDICA URGENTE.** El líquido emanado del acumulador podría causar irritación o quemaduras.

ESPECIFICACIONES

Número de modelo	LM2010E	LM2010E-SP
Sistema de autopropulsión	No	Sí
Tensión	56 V	56 V
Velocidad en vacío	3150 /min	3150 /min
Altura de corte	25-95 mm	25-95 mm
Posiciones de ajuste de la altura de corte	6	6
Tamaño de la plataforma de corte	51 cm	51 cm
Anchura de corte	50 cm	50 cm
Capacidad de la bolsa colectora de hierba	60 L	60 L

Peso del cortacésped (sin acumulador)	25.1 kg	28.1 kg	
Modelo de cuchilla	AB2001	AB2001	
Nivel de potencia acústica ponderado L_{WA}	94 dB(A)	94,32 dB(A)	
Nivel de presión acústica medido a la altura del oído del usuario L_{PA} $K=2,5$ dB(A)	82,5 dB(A)	85,6 dB(A)	
Nivel de potencia acústica garantizado L_{WA} (según 2000/14/CE)	96 dB(A)	96 dB(A)	
Nivel de vibraciones a_{h1} , $K=1,5$ m/s ²	Empuñadura izquierda	3,65 m/s ²	1,08 m/s ²
	Empuñadura derecha	1,64 m/s ²	0,88 m/s ²
Freno de la cuchilla	Sí	Sí	

- El nivel total de vibraciones especificado ha sido medido conforme al método de prueba estándar empleado en la industria y puede utilizarse para efectuar comparaciones entre herramientas.
- Asimismo, el nivel total de vibraciones declarado podrá utilizarse para efectuar una evaluación preliminar de la exposición del usuario a los niveles de vibración generados por la herramienta.

AVISO: Las vibraciones generadas durante el uso real de la herramienta eléctrica podrán diferir del valor declarado en función de la manera en que se utilice. A modo de protección, el usuario deberá utilizar guantes y protectores auditivos en condiciones reales de uso.

LISTA DE EMBALAJE

DENOMINACIÓN DE PIEZA	CANTIDAD
Cortacésped	1
Bolsa colectora de hierba	1
Bastidor de la bolsa colectora de hierba	1
Adaptador para triturado	1
Tolva de descarga lateral	1
Llave de seguridad	2
Manual del usuario	1

DESCRIPCIÓN

FAMILIARÍCESE CON EL CORTACÉSPED (fig. A, B, C, D y E)

1. Gatillo de autopropulsión
2. Manillar
3. Interruptor del embrague (palanca de conmutación)
4. Conmutador
5. Bolsa colectora de hierba
6. Mando de ajuste rápido
7. Palanca de ajuste de la altura de corte
8. Rueda trasera
9. Tolva de descarga lateral
10. Trampilla de descarga lateral
11. Plataforma de corte
12. Faros tipo LED
13. Rueda delantera
14. Tapa del acumulador
15. Empuñadura trasera
16. Trampilla de descarga trasera
17. Palanca de control de la velocidad de la autopropulsión
18. Faldón trasero
19. Ranura para la llave de seguridad
20. Botón de liberación del acumulador
21. Conmutador de los faros tipo LED
22. Testigo de carga del acumulador del cortacésped
23. Adaptador para triturado
24. Tolva de descarga lateral

UTILIZACIÓN

MONTAJE DE LA BOLSA COLECTORA DE HIERBA

- 1) Deslice la bolsa colectora en los tubos superiores de su bastidor (fig. F).
- 2) Enganche las grapas superiores en el bastidor (fig. G) y, a continuación, enganche las dos grapas laterales. Enganche por último la grapa inferior.
- 3) La bolsa colectora de hierba totalmente montada se muestra en la fig. H.

AJUSTE DEL MANILLAR PLEGABLE

ADVERTENCIA: No intente poner en marcha el cortacésped hasta que el manillar esté correctamente bloqueado en una de sus tres posiciones de uso predeterminadas (POSICIÓN ELEVADA MÁXIMA PARA UTILIZACIÓN NORMAL DE LA HERRAMIENTA, POSICIÓN

MEDIA PARA UTILIZACIÓN NORMAL DE LA HERRAMIENTA o POSICIÓN ELEVADA MÍNIMA PARA UTILIZACIÓN NORMAL DE LA HERRAMIENTA).

El cortacésped se suministra con el manillar en su posición plegada y BLOQUEADA PARA EL ALMACENAMIENTO (fig. I).

- 1) Saque los dos mandos de ajuste rápido y gírelos 90° para desbloquear el manillar de la POSICIÓN BLOQUEADA PARA EL ALMACENAMIENTO.
- 2) Levante el manillar. Con suavidad, eleve el manillar hacia atrás hasta que alcance cualquiera de las tres posiciones distintas que se indican en la fig. J. Gire los mandos 90° hasta oír y notar que el pasador de bloqueo ha encajado su primera posición.

Fig. J, ver abajo la descripción de las piezas:

J-1	Posición máxima elevada para utilización normal de la herramienta.
J-2	Posición central para la utilización normal de la herramienta.
J-2	Posición elevada mínima para la utilización normal de la herramienta.
J-4	Posición bloqueada para el almacenamiento.

AVISO: Los dos mandos de ajuste rápido deben estar a la misma altura durante el ajuste, de modo que puedan encajar en la posición al mismo tiempo.

CÓMO COLOCAR O RETIRAR LA BOLSA COLECTORA DE HIERBA/EL ADAPTADOR PARA TRITURADO

ADVERTENCIA: Nunca proceda a efectuar ajustes en el cortacésped sin detener primero el motor, quitar la llave de seguridad y esperar a que la cuchilla deje de girar.

AVISO: Instale todos los accesorios en el cortacésped antes de utilizarlo.

- Cómo instalar o retirar la bolsa colectora de hierba (fig. K)

Ajuste el manillar en la posición adecuada para el funcionamiento. Levante la trampilla de descarga trasera y cuelgue la bolsa colectora de hierba en el eje de bisagra. Para quitarla, solo tiene que levantar la bolsa colectora para desengancharla del eje de bisagra. Por último, suelte la trampilla de descarga trasera.

AVISO: Retire el adaptador para triturado preinstalado del cortacésped antes de colocar la bolsa colectora de hierba.

- Cómo colocar o retirar el adaptador para triturado (fig. L)

ES

Levante la trampilla de descarga trasera e inserte el adaptador para triturado en el cortacésped. Para quitarlo, tire de él. Por último, suelte la trampilla de descarga trasera.

- Cómo colocar o retirar la tolva de descarga lateral (fig. M)

Levante la trampilla de descarga lateral. Alinee la ranura de la tolva de descarga con el saliente de la trampilla de descarga, y suelte suavemente la trampilla de descarga lateral para que gire alrededor del eje de bisagra, hasta que apoye firmemente sobre la tolva de descarga. Para quitarla, levante la trampilla de descarga lateral y saque la tolva de descarga lateral del saliente de montaje de la trampilla.

Fig. M, ver abajo la descripción de las piezas:

M-1	Trampilla de descarga lateral
M-2	Saliente de montaje
M-3	Ranura de montaje
M-4	Tolva de descarga lateral

AJUSTE DE LA ALTURA DE CORTE (fig. K)

⚠ ADVERTENCIA: Mantenga los pies apartados de la plataforma de corte al ajustar la altura. El cortacésped podrá ajustarse a 6 alturas de corte diferentes, entre 20 mm y 90 mm. Seleccione la altura de corte adecuada según el tipo y estado de la hierba.

AVISO: Al desplazar la herramienta entre ubicaciones distintas para cortar el césped, asegúrese de ajustar la altura de corte a la posición 3 o más elevada. De lo contrario, podría llegar a dañar la cuchilla.

CONEXIÓN/DESCONEXIÓN DEL ACUMULADOR (figura O)

RECARGAR ANTES DEL PRIMER USO.

⚠ ADVERTENCIA: Si alguna pieza falta o está rota, no intente conectar el acumulador al cortacésped ni ponerlo en marcha hasta haber sustituido las piezas rotas o instalado las que faltan. De ignorarse esta advertencia, podrían producirse lesiones físicas graves.

- **Conexión**
Introduzca el acumulador en el compartimento del acumulador hasta oír un “clic”.
- **Desconexión**
Pulse el botón de liberación del acumulador en el compartimento del acumulador.

Fig. O, ver abajo la descripción de las piezas:

O-1	Ranura para la llave de seguridad
O-2	Llave de seguridad
O-3	Botón de liberación del acumulador

AVISO: Asegúrese de que el pestillo de enganche del acumulador en el cortacésped haya encajado en su sitio y de que el acumulador esté firmemente sujeto en el compartimento antes de poner en marcha el cortacésped.

PUESTA EN MARCHA Y PARADA DEL CORTACÉSPED

⚠ ADVERTENCIA: Es posible que, al utilizar el cortacésped, salgan despedidos objetos que podrían causar lesiones oculares graves al usuario y a otras personas. Por lo tanto, utilice siempre gafas de seguridad cuando utilice el cortacésped, así como al efectuar en este cualquier ajuste o reparación.

⚠ ADVERTENCIA: Asegúrese de que las personas y los animales domésticos se mantengan a una distancia de seguridad prudente de al menos 30 metros de la zona donde se esté utilizando el cortacésped.

⚠ ADVERTENCIA: La cuchilla continúa girando durante unos segundos después de haber apagado el cortacésped. Espere a que el motor o la cuchilla hayan dejado de girar antes de volver a poner en marcha el cortacésped. No ponga en marcha y apague el cortacésped reiteradamente de forma rápida.

LLAVE DE SEGURIDAD

Para evitar la puesta en marcha accidental o el uso no autorizado de su cortacésped a batería, se ha incorporado en su diseño una llave de seguridad extraíble. El cortacésped se desactivará totalmente en cuanto se retire la llave de seguridad.

⚠ PELIGRO: Mientras gira, la cuchilla podría provocar lesiones físicas graves. Para evitar lesiones graves, asegúrese de quitar la llave de seguridad del cortacésped cuando lo deje desatendido o vaya a proceder a su ajuste, limpieza, mantenimiento, transporte, elevación o almacenamiento.

Puesta en marcha (fig. Q)

- 1) Conecte el acumulador al cortacésped, inserte la llave de seguridad en la ranura para la llave y cierre la tapa del acumulador (fig. O).
- 2) tal como se muestra en la fig. P, presione hacia abajo el botón de seguridad.
- 3) Con el botón de seguridad presionado, tire hacia arriba del interruptor del embrague hasta el manillar y suelte el botón de seguridad.

Parada (fig. R)

- 1) Suelte el interruptor del embrague.
- 2) El freno eléctrico incorporado en el mecanismo automático del embrague detendrá la rotación de las cuchillas en un intervalo máximo de 3 segundos después de haberse soltado el interruptor del embrague.

SISTEMA DE AUTOPROPULSIÓN DE VELOCIDAD VARIABLE (LM2010E-SP)

El cortacésped LM2010E-SP está equipado con una función de autopropulsión de velocidad variable. Este sistema es independiente del interruptor de encendido/apagado de la cuchilla; no depende del giro de la cuchilla.

Para apagar la autopropulsión, suelte el gatillo de autopropulsión.

El sistema tiene una velocidad variable. Para aumentar la velocidad, mueva hacia delante la palanca de control de la velocidad de la autopropulsión. Para reducir la velocidad, mueva hacia atrás la palanca de control de la velocidad de la autopropulsión (fig. S).

Para utilizar con la cuchilla girando para cortar:

1. Ponga en marcha el cortacésped.
2. Utilizando la mano izquierda para mantener el interruptor del embrague contra el manillar, tire del gatillo de autopropulsión hacia el manillar con la mano derecha.
3. Con la mano derecha, mantenga al mismo tiempo el interruptor del embrague y el gatillo de autopropulsión contra el manillar, y utilice la mano izquierda para ajustar la palanca de control de la velocidad de la autopropulsión a la velocidad que desee.

⚠ ADVERTENCIA: Para reducir el riesgo de lesiones, no realice nunca modificaciones que pudieran impedir el funcionamiento del conmutador o del sistema de autopropulsión. Use la autopropulsión solo para el fin previsto.

FAROS TIPO LED DEL CORTACÉSPED (Fig. A-12)

Presione el conmutador (fig. D-21) para encender o apagar los faros tipo LED situados en la parte frontal del compartimento del acumulador.

TESTIGO DE CARGA DEL ACUMULADOR DEL CORTACÉSPED (fig. D-22)

El cortacésped incorpora un testigo que indica el nivel de carga del acumulador, así como el estado de funcionamiento del cortacésped. El testigo de carga se iluminará cuando la cuchilla esté girando o cuando los faros tipo

LED estén encendidos.

Testigo de carga del acumulador en el cortacésped	Significado	Acción
Encendido permanentemente en verde	El cortacésped funciona correctamente; el acumulador posee al menos el 15% de su carga total	No procede
Encendido permanentemente en rojo	Acumulador bajo de carga	Apague el cortacésped y recargue el acumulador
Parpadeando en rojo	El acumulador está casi agotado	Apague el cortacésped y recargue el acumulador
Encendido permanentemente en ámbar	El cortacésped o el acumulador se han sobrecalentado	Retire el acumulador del cortacésped, desplace ambos a un lugar a la sombra y espere como mínimo 15 minutos a que se hayan enfriado lo suficiente
Parpadeando en ámbar	El cortacésped se ha sobrecargado	Ralentice el ritmo de corte o eleve la altura de corte a fin de disminuir la carga a la que se ve sometida la cuchilla.

ES

PROTECCIÓN POR SOBRECARGA DEL CORTACÉSPED

Para evitar condiciones de sobrecarga, no trate de cortar demasiada cantidad de hierba de una sola pasada. Ralentice el ritmo de corte o eleve la altura de corte.

Su cortacésped incorpora un circuito de protección por sobrecarga. Si el cortacésped llegara a sobrecargarse, el motor se parará y el testigo de carga del acumulador parpadeará en ámbar. Retire el acumulador del cortacésped. Compruebe si se ha acumulado hierba debajo de la plataforma y límpiela en caso necesario, y a continuación instale el acumulador y vuelva a arrancar el cortacésped.

PROTECCIÓN POR SOBRECALENTAMIENTO DEL ACUMULADOR

El acumulador genera calor durante su funcionamiento normal. Dicho calor se disipa con mayor lentitud en tiempo cálido. Si la temperatura del acumulador llega a superar los 70°C durante la utilización del cortacésped, el circuito de protección lo apagará inmediatamente a fin de proteger el acumulador de posibles daños. El testigo de carga del acumulador se iluminará permanentemente en ámbar.

ES

Suelte la palanca del interruptor del embalaje, espere a que el acumulador se haya enfriado hasta alcanzar unos 67 °C y vuelva a poner en marcha el cortacésped.

MANTENIMIENTO

⚠ ADVERTENCIA: Para evitar posibles riesgos de lesiones físicas graves, asegúrese siempre de retirar el acumulador y la llave de seguridad del cortacésped antes de proceder a su limpieza o llevar a cabo cualquier tarea de mantenimiento.

⚠ ADVERTENCIA: Cuando efectúe reparaciones en la herramienta, utilice únicamente piezas idénticas a las originales. La utilización de piezas diferentes o no homologadas podría suponer un peligro o causar daños en el producto. Para garantizar la seguridad y fiabilidad de la herramienta, confíe cualquier reparación y sustitución de piezas que sea necesaria a personal técnico cualificado.

LIMPIEZA DEL CORTACÉSPED

⚠ ADVERTENCIA: Retire siempre la llave de seguridad y el acumulador antes de efectuar reparaciones en el cortacésped o proceder a transportarlo.

Deberá limpiarse la superficie inferior de la plataforma del cortacésped después de cada uso, ya que es propensa a acumulaciones de recorte de hierbas, hojas, suciedad y otros materiales. Dichas acumulaciones deben evitarse, ya que fomentan la corrosión y la aparición de óxido en las piezas metálicas, reduciendo así la eficacia de corte del cortacésped.

Elimine cualquier acumulación de hierba y hojas encima o alrededor del eje de accionamiento (solo LM2010E-SP) o el ventilador del motor (no utilice agua). Limpie el cortacésped con un paño húmedo.

DESMTAJE/INSTALACIÓN DE LA CUCHILLA

⚠ ADVERTENCIA: Proteja siempre sus manos utilizando guantes gruesos o envolviendo los filos cortantes en paños u otros materiales cuando lleve a cabo

cualquier operación de mantenimiento en la cuchilla del cortacésped.

- Retirada de la cuchilla (fig. V)

AVISO: Si el tornillo gira con el eje del motor al aflojarlo, gire manualmente el ventilador para alinear los orificios del ventilador con los de la cuchilla, y coloque otra varilla metálica en los orificios alineados

- Instalación de la cuchilla

Siguiendo el orden de montaje indicado en la fig. U, con la cuchilla de ventilador indicando hacia la plataforma y el lado impreso de la cuchilla hacia fuera, alinee los orificios del ventilador con los orificios de la cuchilla (fig. W) y apriete la cuchilla como se muestra en la fig. X.

Fig. U y V, ver abajo la descripción de las piezas:

U-1	Ventilador	U-5	Tornillo
U-2	Brida interior	V-1	Estabilizador 1
U-3	Brida exterior	V-2	Estabilizador 2
U-4	Cuchilla	V-3	Llave de 14 mm

AVISO: El par de apriete recomendado para el tornillo de la cuchilla es de 49-59Nm.

ALMACENAMIENTO DEL CORTACÉSPED

- Quite el acumulador del cortacésped y guárdelo en un lugar fresco, seco y limpio. No lo guarde junto a materiales corrosivos, tales como fertilizantes o sal gema.
- Lubrique su cortacésped.
- Almacene su cortacésped en un espacio cubierto, cerrado, fresco y seco, fuera del alcance de niños.
- No cubra el cortacésped con una funda de plástico gruesa. Las fundas de plástico acumulan humedad alrededor del cortacésped, provocando óxido y corrosión.
- El cortacésped se puede guardar verticalmente o plano (fig. Y).

⚠ ADVERTENCIA: Si el cortacésped llegara a volcarse estando en posición vertical, podría sufrir daños o provocar lesiones físicas. Mantenga siempre el cortacésped en un lugar donde no pueda volcarse y fuera del alcance de niños cuando lo almacene en posición vertical. De ser posible, manténgalo en posición horizontal durante su almacenaje.

Protección del medio ambiente



¡No elimine aparatos eléctricos, cargadores de baterías, acumuladores recargables o baterías junto con los desperdicios domésticos!

Tanto la Directiva europea 2012/19/UE sobre la eliminación de aparatos eléctricos y electrónicos inservibles como la Directiva europea 2006/66/CE sobre la eliminación de baterías o acumuladores defectuosos o agotados estipulan que dichos elementos deben ser objeto de una recogida selectiva.

Si los aparatos eléctricos acabaran tirándose a vertederos o basureros, podrían desprender sustancias perjudiciales que llegarían a contaminar las capas freáticas y entrar en la cadena alimenticia, con el consecuente peligro para la salud y calidad de vida humana.

DECLARACIÓN DE CONFORMIDAD CE

Nosotros, CHERVON EUROPE LTD.

47 CASTLE STREET, READING, RG1 7SR, UNITED KINGDOM

declaramos que el producto cortacésped inalámbrico de **56V con acumulador de ion de litio LM2010E/LM2010E-SP** cumple los requisitos esenciales sobre salud y seguridad de las directivas siguientes:

2006/42/CE, 2004/108/CE, 2011/65/UE, 2000/14/CE

Normas y especificaciones técnicas consultadas:

EN 60335-1, EN 60335-2-77, EN 62233, EN 55014-1, EN 55014-2

ES

	LM2010E	LM2010E-SP
Nivel de potencia acústica ponderado:	94 dB(A)	94,32 dB(A)
Nivel de potencia acústica garantizado:	96 dB(A)	96 dB(A)

Peter Melrose
Vicepresidente de Chervon Europa
Chervon

Dong Jianxun
Director de calidad de
Chervon

* (representante autorizado de CHERVON y responsable de la documentación técnica)

01/01/2016

SOLUCIÓN DE PROBLEMAS

⚠ ADVERTENCIA: Retire siempre la llave de seguridad y el acumulador antes de efectuar reparaciones en el cortacésped o proceder a transportarlo. Proteja siempre sus manos utilizando guantes gruesos o envolviendo los filos cortantes en paños u otros materiales cuando lleve a cabo cualquier operación de mantenimiento en la cuchilla del cortacésped.

ES

ANOMALÍA	CAUSA	SOLUCIÓN
El cortacésped no se pone en marcha.	<ul style="list-style-type: none"> ■ El acumulador está agotado. ■ El acumulador no está montado en su lugar en el compartimento del acumulador. ■ El acumulador o el circuito del cortacésped se han sobrecalentado. (El testigo de carga del acumulador en el cortacésped permanecerá encendido en ámbar durante 10 segundos) ■ Los tubos laterales no están totalmente extendidos y las abrazaderas no están en su posición bloqueada. ■ El manillar no se encuentra en ninguna de sus dos posiciones de funcionamiento. ■ La plataforma del cortacésped está obstruida con restos de hierba y suciedad. 	<ul style="list-style-type: none"> ■ Recargue el acumulador. ■ Conecte el acumulador al cortacésped y presiónelo hasta oír un clic. ■ Espere a que el acumulador o el cortacésped se hayan enfriado lo suficiente hasta que su temperatura sea inferior a 67°C. ■ Extienda totalmente los tubos laterales del manillar y cierre ambas abrazaderas. ■ Ajuste el manillar a una de sus dos posiciones de funcionamiento. ■ Limpie la plataforma del cortacésped y asegúrese de que la cuchilla gira libremente.
El cortacésped no corta de manera uniforme.	<ul style="list-style-type: none"> ■ La cuchilla está embotada. ■ La altura de corte no está correctamente ajustada. ■ La cuchilla no está correctamente instalada. 	<ul style="list-style-type: none"> ■ Afile o sustituya la cuchilla. ■ Eleve la plataforma a una posición que permita una mayor altura de corte. ■ Vuelva a instalar correctamente la cuchilla. Consulte el apartado titulado "MONTAJE DE LA CUCHILLA" que se incluye en este manual.

ANOMALÍA	CAUSA	SOLUCIÓN
El cortacésped se detiene durante el uso.	<ul style="list-style-type: none"> ■ El acumulador está agotado. ■ El cortacésped está sobrecargado. ■ La plataforma del cortacésped está obstruida con restos de hierba y suciedad. ■ El acumulador o el circuito del cortacésped se han sobrecalentado. (El testigo de carga del acumulador en el cortacésped permanecerá encendido en ámbar durante 10 segundos). ■ Los tubos laterales se han replegado ligeramente debido a la fuerza de empuje ejercida en el manillar. 	<ul style="list-style-type: none"> ■ Recargue el acumulador. ■ Aumente la altura de corte o ralentice su ritmo al cortar la hierba. ■ Retire cualquier acumulación de hierba o suciedad de la plataforma del cortacésped. Aumente la altura de corte o corte una menor anchura de césped. ■ Espere a que el acumulador o el cortacésped se hayan enfriado lo suficiente hasta que su temperatura sea inferior a 67°C. ■ Abra las abrazaderas de bloqueo. Extienda totalmente los tubos laterales y vuelva a cerrar las abrazaderas para bloquearlas.
El cortacésped no tritura correctamente la hierba.	<ul style="list-style-type: none"> ■ Hay recortes de hierba húmeda adheridos en la superficie inferior de la plataforma de corte. ■ El cortacésped está ajustado para cortar una elevada cantidad de hierba en cada pasada. 	<ul style="list-style-type: none"> ■ Espere a que la hierba esté seca antes de cortar el césped. ■ Eleve la plataforma a una posición que permita una mayor altura de corte.
La herramienta vibra en exceso	<ul style="list-style-type: none"> ■ La cuchilla está suelta. ■ La cuchilla está desequilibrada. ■ La cuchilla está doblada. ■ El eje del motor está doblado. 	<ul style="list-style-type: none"> ■ Apriete el tornillo de fijación de la cuchilla. ■ Equilibre la cuchilla según las instrucciones proporcionadas en el manual. ■ Sustituya la cuchilla por otra nueva. ■ Póngase en contacto con el servicio de asistencia técnica.
The handle locking clamps cannot be closed in position.	<ul style="list-style-type: none"> ■ Los tubos laterales no están totalmente extendidos. 	<ul style="list-style-type: none"> ■ Extienda totalmente los tubos laterales y vuelva a cerrar las abrazaderas para bloquearlas.

ES

GARANTÍA

POLITICA DE GARANTÍA EGO

Por favor visite nuestra página web egopowerplus.com para los terminos y las condiciones completas de la politica de garantia EGO.

LEIA TODAS AS INSTRUÇÕES!



LEIA E COMPREENDA O MANUAL DE INSTRUÇÕES

⚠ Risco residual! As pessoas com dispositivos eletrônicos, como pacemakers, deverão consultar o seu médico antes de utilizarem este produto. A utilização de equipamento elétrico perto de um pacemaker pode causar interferências ou falhas no pacemaker.

PT

⚠ AVISO: Para assegurar a segurança e bom funcionamento, todas as reparações e substituições deverão ser efetuadas por um técnico de reparação qualificado.

Uso pretendido e má utilização previsível: O uso pretendido do produto é o corte de relva, apenas, em jardins domésticos. Não deve ser utilizada para cortar relva anormalmente alta, seca ou húmida, por exemplo, relva para pastagem ou para destruir folhas. O produto só deve ser utilizado para o seu uso pretendido. Qualquer outra utilização será considerada má utilização.

SÍMBOLOS DE SEGURANÇA

O intuito destes símbolos de segurança é chamar a sua atenção para possíveis perigos. Os símbolos de segurança e as explicações apresentadas com eles requerem a sua atenção e compreensão. Os avisos de segurança, só por eles, não eliminam o perigo. As instruções e avisos dados não são substitutos para medidas de prevenção adequadas a acidentes.

⚠ AVISO: Certifique-se de que lê e compreende todos os avisos de segurança neste manual do utilizador, incluindo todos os símbolos de alerta de segurança, como “PERIGO”, “AVISO” e “CUIDADO” antes de usar esta ferramenta. Não seguir todas as instruções apresentadas abaixo pode resultar em choque eléctrico, incêndio e/ou lesões graves.

SIGNIFICADO DOS SÍMBOLOS

SÍMBOLO DE ALERTA DE SEGURANÇA: Indica **PERIGO**, **AVISO** ou **CUIDADO**. Pode ser usado juntamente com outros símbolos ou imagens.

⚠ AVISO: O funcionamento de qualquer ferramenta elétrica pode dar origem ao ressalto de quaisquer objetos estranhos que podem atingir os olhos, podendo dar origem a sérias lesões oculares. Antes de começar a utilizar a ferramenta elétrica, utilize sempre óculos de segurança com proteções laterais e uma proteção completa para o rosto, quando necessário. Recomendamos a utilização de máscaras de segurança com visão panorâmica por cima dos óculos ou óculos de segurança padrão com proteção lateral.

INSTRUÇÕES DE SEGURANÇA

INSTRUÇÕES DE SEGURANÇA

Esta página retrata e descreve os símbolos de segurança que podem aparecer neste produto. Leia, compreenda e siga todas as instruções na máquina antes de a tentar montar e utilizar.

	Alerta de segurança	Precauções que envolvam a sua segurança.
	Utilize proteção ocular	Utilize sempre óculos de segurança com proteção lateral e, se necessário, uma proteção completa do rosto, quando utilizar este produto.
	AVISO: Leia o manual do utilizador	Para reduzir o risco de lesões, o utilizador tem de ler e compreender o manual do utilizador antes de utilizar este produto.
	Tenha cuidado com as lâminas afiadas.	As lâminas continuam a rodar após desligar o motor. Retire o equipamento de desativação antes de proceder à manutenção. Desligue e retire a bateria (ou dispositivo de desativação) antes de efetuar quaisquer ajustes ou limpeza.
	Mantenha terceiros afastados	Certifique-se de que outras pessoas e animais permanecem a, pelo menos, 30m da máquina de cortar relva durante a utilização.
	Construção de classe II	Construção com isolamento duplo.
IPX4	Símbolo IP	Proteção contra a entrada de água de grau 4
V	Volts	Tensão

A	Amperes	Corrente
Hz	Hertz	Frequência (ciclos por segundo)
W	Watt	Potência
min	Minutos	Tempo
	Corrente alternada	Tipo de corrente
	Corrente direta	Tipo ou característica da corrente
n_0	Velocidade sem carga	Velocidade de rotação, sem carga
... /min	Por minuto	Rotações por minuto

REGRAS DE SEGURANÇA PARA A MÁQUINA DE CORTAR RELVA SEM FIOS

⚠ PERIGO: Esta máquina foi criada para ser utilizada de acordo com as regras de funcionamento seguro incluídas neste manual. Tal como em qualquer tipo de equipamento mecânico, o descuido ou erro por parte do operador pode dar origem a lesões sérias. Esta máquina é capaz de magoar mãos e pés, e de atirar objectos. O não cumprimento destas instruções de segurança pode resultar em lesões sérias ou mesmo morte.

⚠ AVISO: Quando usar uma máquina de cortar relva eléctrica, deverá seguir sempre as precauções básicas de segurança, para reduzir o risco de fogo, choque eléctrico ou lesões pessoais.

IMPORTANTE

LEIA ATENTAMENTE ANTES DE UTILIZAR. GUARDE PARA FUTURA REFERÊNCIA.

REGRAS DE SEGURANÇA PARA A MÁQUINA DE CORTAR RELVA SEM FIOS:

CUIDADO: NÃO TOQUE NA LÂMINA ROTATIVA!

TREINO

- Leia estas instruções com atenção. Familiarize-se com os controlos e com a utilização correcta do aparelho.
- Nunca permita que uma criança ou uma pessoa que não esteja familiarizada com estas instruções use o aparelho. Os regulamentos locais podem restringir a idade do utilizador
- Nunca corte a relva com pessoas, especialmente crianças, ou animais por perto.

- O operador ou utilizador é o responsável por acidentes ou riscos provocados a outras pessoas ou à sua propriedade.

PREPARAÇÃO

- Enquanto corta a relva, utilize sempre calçado resistente e calças compridas.
- Não utilize o equipamento descalço ou de sandálias abertas. Evite utilizar roupa larga ou que possua fios ou cordões soltos.
- Inspeccione cuidadosamente a área onde vai utilizar o equipamento e retire quaisquer pedras, paus, ossos e outros objetos estranhos.
- Antes da utilização, inspeccione sempre visualmente se as lâminas, parafusos das lâminas e o conjunto de corte não estão gastos ou danificados. Substitua lâminas gastas ou danificadas e os parafusos em conjunto, para manter o equilíbrio.

PT

FUNCIONAMENTO

- Corte a relva apenas à luz do dia ou com boa luz artificial.
- Evite utilizar o equipamento em relva molhada, sempre que possível.
- Nos locais inclinados, certifique-se sempre do local onde coloca os pés.
- Caminhe, nunca corra.
- Em máquinas com rodas, corte a relva em encostas de lado, nunca de cima para baixo.
- Tenha muito cuidado quando mudar de direcção em encostas.
- Não corte a relva em encostas excessivamente inclinadas.
- Tenha muito cuidado quando virar ou puxar o equipamento na sua direcção.
- Pare a(s) lâmina(s) caso o equipamento seja inclinado para ser transportado ao passar por superfícies que não sejam relvadas e quando transportar o equipamento de e para a área a ser cortada.
- Nunca utilize o aparelho com protecções defeituosas ou sem os dispositivos de segurança, por exemplo deflectores e/ou saco de recolha da relva, no devido lugar.
- Ligue o motor de acordo com as instruções e com os pés bem afastados da(s) lâmina(s).
- Não incline a máquina quando ligar o motor, excepto se a máquina tiver de ser inclinada para ser ligada. Neste caso, não a incline mais do que o absolutamente necessário e levante apenas a parte afastada do operador. Certifique-se sempre de que ambas as mãos se encontram na posição de funcionamento antes de colocar o aparelho no chão.

- Não ligue a máquina quando se encontrar em frente da abertura de descarga.
- Não coloque as mãos ou pés perto ou debaixo das peças rotativas. Para as máquinas de corte de relva rotativas, mantenha sempre as aberturas de descarga abertas.
- Nunca segure nem ligue um equipamento enquanto o motor estiver a funcionar.
- Desligue e retire a bateria (ou dispositivo de desativação) e certifique-se de que todas as peças móveis pararam completamente antes de efetuar quaisquer ajustes ou limpeza.
 - Sempre que a máquina for deixada sem supervisão
 - Antes de limpar uma peça bloqueada
 - Antes de verificar, limpar ou trabalhar no aparelho;
 - Após bater num objecto estranho. Inspeccione o aparelho quanto a danos e faça as reparações necessárias;
- Se o aparelho começar a vibrar anormalmente (verifique imediatamente).
 - Inspeccione quanto a danos;
 - Substitua ou repare quaisquer peças danificadas;
 - Verifique se existem peças desapertadas e se tal for o caso, aperte-as.

MANUTENÇÃO E ARMAZENAMENTO

- Tenha cuidado ao ajustar a máquina para impedir que dedos fiquem presos entre as lâminas móveis e as peças fixas do equipamento.
- Mantenha todas as porcas e parafusos bem apertados, para se certificar de que o equipamento está em boas condições de funcionamento.
- Verifique frequentemente o saco de recolha de relva do equipamento quanto a desgaste ou deterioração.
- Para sua segurança, substitua as peças gastas ou danificadas.
- Ao efetuar a manutenção às lâminas, tenha em que, mesmo que a bateria esteja desligada ou retirada, as lâminas ainda podem estar em movimento.
- Para máquinas de corte de relva rotativas, certifique-se de que usa apenas meios de corte sobresselentes do tipo certo.

SEGURANÇA PESSOAL

Podem ocorrer acidentes trágicos se o operador não estiver atento à presença de crianças. As crianças costumam ser atraídas pela máquina de cortar relva e pela atividade de corte de relva. Estas não compreendem o perigo. Nunca assuma que as crianças vão permanecer no local onde as viu pela última vez.

- Mantenha as crianças afastadas da área de corte e sob constante supervisão por parte de um adulto responsável.

- Esteja atento e desligue a máquina de cortar relva se uma criança entrar na área.
- Tenha muito cuidado quando se aproximar de cantos escondidos, entradas, arbustos, árvores ou outros objectos que possam diminuir a sua visão de uma criança que possa correr na direcção da máquina.
- As crianças devem ser supervisionadas, para se assegurar que não brincam com a máquina.
- Desligue sempre a máquina de cortar relva quando retirar a bateria. Pare as lâminas caso a máquina de cortar relva seja inclinada para ser transportada quando passar por superfícies que não sejam relvadas e quando transportar a máquina de cortar relva de e para a área a ser cortada.

FUNCIONAMENTO

FUNCIONAMENTO GERAL:

- Leia com atenção o manual do utilizador por completo antes de tentar montar esta máquina. Leia, compreenda e siga todas as instruções na máquina e nos manuais antes da utilização. Familiarize-se por completo com os controlos e utilização adequada desta máquina antes da utilização. Guarde este manual num local seguro para futuras referências e para encomendar peças sobresselentes.
- Utilize o equipamento correto. Não utilize a máquina de cortar relva para outros trabalhos para além daqueles para que foi criada.
- Não se estique. Mantenha sempre a base e o equilíbrio adequados.
- Objetos atingidos pela lâmina da máquina de cortar relva podem causar lesões graves a pessoas. A relva deverá ser sempre examinada cuidadosamente e deverá retirar quaisquer objetos antes de proceder ao corte.
- Antes de e enquanto se move para trás, olhe para trás e para baixo para ver se há crianças e outras pessoas.
- Esta máquina não é um brinquedo. Assim, tenha sempre muito cuidado. O seu aparelho foi criado para efetuar um trabalho: Cortar relva. Não a utilize para qualquer outro propósito.
- Não force a máquina de cortar relva. Ela fará o trabalho melhor e de modo mais seguro ao ritmo para o qual foi criada.
- Antes da utilização, inspeccione sempre visualmente se as lâminas, parafusos das lâminas e o conjunto de corte não estão gastos ou danificados. Substitua as lâminas gastas ou danificadas e parafusos e outros componentes em simultâneo, para preservar o equilíbrio. Substitua as etiquetas danificadas ou ilegíveis.

- Tenha muito cuidado quando virar ou puxar o equipamento na sua direção.
- Inspeccione cuidadosamente a área onde o equipamento vai ser usado. Retire todas as pedras, paus, fios, brinquedos e outros objetos estranhos que possam ser apanhados e projetados pela lâmina. Os objetos projetados podem causar ferimentos pessoais graves. Planeie o seu padrão de corte de modo a evitar descarregar material para estradas, passeios públicos, terceiros ou semelhante. Evite também descarregar material contra paredes ou obstruções, o que pode fazer com que o material ressalte de volta contra o operador.
- Para ajudar a evitar o contacto da lâmina ou ferimentos devido a objetos projetados, permaneça na zona do operador atrás das pegas, e mantenha crianças, terceiros, ajudantes e animais a, pelo menos, 30m da máquina de cortar relva durante o funcionamento da mesma. Pare a máquina se alguém entrar na área.
- Use sempre óculos de segurança durante o funcionamento e enquanto efetua um ajuste ou reparação, para proteger os olhos. Os objetos projetados que fazem ricochete podem causar lesões sérias nos olhos. Utilize sempre uma máscara ou máscara de pó se o funcionamento for poeirento.
- Vista-se adequadamente. Não utilize roupa larga ou joias. Estas podem ficar presas em peças móveis. A utilização de luvas de borracha é recomendada para trabalhos no exterior. Utilize calçado de trabalho resistente e com solas grossas e roupa justa. Recomendamos a utilização de roupa que cubra os braços e pernas e calçado com biqueira de aço. Nunca utilize esta máquina descalço, de sandálias ou com calçado que seja escorregadio ou leve (ex: lona).
- Não coloque as mãos ou pés perto ou debaixo da cobertura de corte. O contacto com a lâmina pode causar lesões nas mãos e pés.
- Uma cobertura de descarga em falta ou danificada pode causar o contacto com a lâmina ou lesões devido a objetos projetados.
- Muitas lesões ocorrem como resultado de se puxar a máquina de cortar relva sobre um pé durante uma queda por ter escorregado ou tropeçado. Não se segure à máquina de cortar relva se estiver a cair. Liberte imediatamente a pega.
- Nunca puxe a máquina de cortar relva na sua direção enquanto estiver a andar. Se tiver de afastar a máquina de cortar relva de uma parede ou obstrução, olhe primeiro para baixo e para trás para evitar tropeçar, e siga estes passos:
 - Afaste-se da máquina de cortar relva para esticar por completo os braços.
 - Certifique-se de que está bem equilibrado e com uma base estável para os pés.
- Puxe lentamente a máquina de cortar relva para trás, não mais do que metade do caminho até si.
 - Repita estes passos, conforme necessário.
- Não utilize a máquina de cortar relva quando estiver sob a influência de álcool ou drogas.
- Nunca utilize o equipamento com proteções defeituosas ou sem os dispositivos de segurança, por exemplo, defletores e/ou saco de recolha da relva, no devido lugar.
- Mantenha-se alerta e atento ao que está a fazer. Utilize o senso comum. Não utilize a máquina de cortar relva quando estiver cansado.
- A pega de controlo do motor/lâmina é um dispositivo de segurança. Nunca tente anular o seu funcionamento. Se o fizer, torna o equipamento de segurança inoperacional e pode dar origem a lesões pessoais devido ao contacto com a lâmina rotativa. A pega de controlo do motor/lâmina tem de ser utilizada facilmente em ambas as direções e voltar automaticamente à posição desativada quando libertada.
- Evite ambientes perigosos – Não utilize a máquina de cortar relva em locais húmidos ou molhados.
- Não utilize à chuva.
- Tenha sempre uma boa base de apoio para os pés. Escorregar e cair pode provocar graves ferimentos pessoais. Se sentir que está a perder o equilíbrio, liberte imediatamente a pega de controlo do motor/lâmina e a lâmina para de rodar no espaço de três segundos.
- Pare a lâmina quando atravessar passeios de cascalho, cascalho ou estradas.
- Se a máquina começar a vibrar anormalmente, desligue o motor e verifique imediatamente as causas. A vibração é normalmente um aviso de problemas.
 - Inspeccione quanto a danos;
 - Substitua ou repare as peças danificadas que podem ser substituídas pelo utilizador;
 - Verifique se existem peças desapertadas e se tal for o caso, aperte-as.
- Nunca utilize a máquina de cortar relva sem a devida proteção posterior, cobertura de descarga, saco de recolha da relva, inserção de adubar, saída de descarga lateral, pega de controlo do motor/lâmina ou outros dispositivos de proteção de segurança no devido lugar e a funcionarem. Nunca coloque a máquina de cortar relva em funcionamento com dispositivos de segurança danificados. O não seguimento das instruções pode dar origem a ferimentos pessoais graves.
- Se ocorrerem situações que não sejam abrangidas por este manual, tenha cuidado e faça uso do bom senso. Contacte o serviço de apoio ao cliente da EGO para obter assistência.
- Utilize apenas com as baterias e carregadores listados em baixo:

BATERIA	CARREGADOR
BA1120E, BA2240E, BA2800, BA3360, BA4200	CH5500E, CH2100E

- A bateria tem de ser retirada do equipamento antes de ser eliminada.
- A bateria tem de ser eliminada de modo seguro.

OPERAÇÃO NUMA ENCOSTA:

As encostas são um factor importante relacionado com quedas que podem dar origem a lesões severas. Nos locais inclinados, certifique-se sempre do local onde coloca os pés. O funcionamento em encostas requer um cuidado extra. Se não se sentir à vontade numa encosta, não corte aí a relva. Para sua segurança, use o medidor de encostas na página 182 para medir as encostas antes de utilizar esta unidade numa área inclinada. Se a encosta for superior a 15 graus, não corte a relva.

PT

A fazer:

- Caminhe sempre de lado em encostas, nunca de cima para baixo. Tenha muito cuidado quando mudar de direcção em encostas.
- Tenha cuidado com buracos, raízes, rochas, objectos escondidos ou montes que possam fazê-lo escorregar ou cair. A relva comprida pode esconder objectos.

A não fazer:

- Não corte a relva perto de fossos, valas ou aterros. Pode perder o equilíbrio.
- Não corte a relva em encostas superiores a 15 graus, conforme apresentado no medidor de encostas.
- Não corte a relva molhada. O desequilíbrio pode fazê-lo escorregar

REPARAÇÃO

⚠ AVISO: Os componentes do saco de recolha da relva, cobertura de descarga, saída de descarga lateral, inserção de adubar e protecção posterior estão sujeitos a desgaste e danos, que podem expor as peças móveis ou permitir que objectos sejam atirados, e podem aumentar o risco de lesões. Por razões de segurança, verifique frequentemente todos os componentes e substitua imediatamente os componentes danificados por peças sobresselentes idênticas, listadas neste manual. Contacte o centro de apoio ao cliente da EGO, ou o centro de reparação da EGO mais próximo de si. As reparações ou substituições de peças deverão ser efectuadas por um técnico qualificado!

- Se o interruptor de protecção contra SOBrecargas incorporado na máquina de cortar relva for ativado frequentemente, contacte o centro de apoio ao cliente da EGO ou o centro de apoio ao cliente da EGO mais próximo de si.

- Não lave a máquina de cortar relva com uma mangueira. Evite que entre água no motor e nas ligações elétricas.
- Retire a chave e guarde a máquina de cortar relva desligada no interior quando não em uso. Deixe o motor arrefecer antes de guardar em qualquer local fechado. A máquina de cortar relva deve ser guardada num local seco, alto ou fechado e fora do alcance das crianças.
- Ao proceder à reparação, utilize apenas peças sobresselentes idênticas às listadas neste manual. A utilização de peças que não vão de encontro às especificações do equipamento original pode dar origem a um desempenho inadequado e comprometer a segurança.
- Retire ou desligue a bateria antes de reparar, limpar ou retirar material da máquina de cortar relva.
- Siga as instruções quanto a lubrificação e mudança de acessórios.
- Mantenha as peças secas, limpas e sem óleo ou gordura.
- Para reduzir o perigo de incêndio, mantenha a cobertura do motor sem relva, folhas ou montes de resíduos acumulados.
- Verifique os parafusos de fixação da lâmina e do motor a intervalos frequentes quanto ao devido aperto. Inspeccione visualmente a lâmina quanto a danos (ex: dobras, rachas e desgaste). Substitua a lâmina apenas por uma lâmina de substituição idêntica, listada neste manual.
- Proceda à manutenção cuidadosa da sua máquina de cortar relva - Mantenha a lâmina da máquina de cortar relva afiada e limpa, para um melhor desempenho e mais segurança. As lâminas da máquina de cortar relva estão afiadas e podem cortar. Embrulhe a lâmina ou utilize luvas e tenha muito cuidado quando proceder à sua manutenção.
- Nunca retire nem altere os dispositivos de segurança. Verifique regularmente o seu funcionamento correto. Nunca faça nada que interfira com a função prevista de um equipamento de segurança ou para reduzir a protecção fornecida por um equipamento de segurança.
- Desligue sempre o motor antes de fazer quaisquer ajustes numa roda ou o ajuste da altura de corte.
- Após bater num objeto estranho, pare o motor, retire a chave e inspeccione cuidadosamente a máquina de cortar relva quanto a danos. Repare os danos antes de utilizar a máquina de cortar relva.
- Mantenha ou substitua as etiquetas de segurança e instruções, conforme necessário. Contacte o serviço de apoio ao cliente da EGO ou o centro de reparação da EGO mais próximo de si. As reparações ou substituições de peças deverão ser efetuadas por um técnico de reparação qualificado!

GUARDE ESTAS INSTRUÇÕES. Consulte com frequência e utilize estas instruções para instruir outras pessoas sobre a forma de utilizar este equipamento. Se emprestar este aparelho, entregue também as instruções, para evitar uma má utilização do produto e possíveis lesões.

UTILIZAÇÃO E CUIDADOS COM A BATERIA

- Para preservar os recursos naturais, recicle ou elimine as baterias de um modo adequado. Este produto contém baterias de ião e lítio. As leis locais ou nacionais proíbem a eliminação de baterias de ião e lítio juntamente com o lixo doméstico comum. Consulte as autoridades locais quanto ao modo como reciclar e eliminar.
- Ao retirar a bateria para ser eliminada ou reciclada, cubra os terminais da bateria com uma fita adesiva resistente. Não tente destruir ou desmontar a bateria, nem retirar algum dos seus componentes. As baterias de ião e lítio têm de ser recicladas ou eliminadas de forma adequada. Além disso, nunca toque em qualquer dos terminais com objetos de metal e/ou com o corpo, pois isso pode causar um curto-circuito. Mantenha afastado das crianças. Se não seguir estes avisos de segurança, pode originar um incêndio e/ou lesões sérias.
- **SOB CONDIÇÕES ABUSIVAS, PODE SER EJETADO LÍQUIDO DA BATERIA. EVITE O CONTACTO. SE OCORRER CONTACTO ACIDENTAL, LAVE COM ÁGUA. SE O LÍQUIDO ENTRAR EM CONTACTO COM OS OLHOS, PROCURE AJUDA MÉDICA.** O líquido ejetado da bateria pode provocar irritação ou queimaduras.

ESPECIFICAÇÕES

Número do modelo	LM2010E	LM2010E-SP
Sistema autopropulsor	Não	Sim
Tensão	56 V	56 V
Velocidade sem carga	3150 /min	3150 /min
Altura de corte	25-95 mm	25-95 mm
Posições da altura de corte	6	6
Tamanho da cobertura	51 cm	51 cm
Largura de corte	50 cm	50 cm
Volume do saco de recolha da relva	60 L	60 L
Peso da máquina de cortar relva (sem a bateria)	25,1 kg	28,1 kg
Modelo da lâmina	AB2001	AB2001
Nível de potência do som medido L_{WA}	94 dB(A)	94,32 dB(A)
Nível da pressão do som no ouvido do operador L_{PA} $K=2,5$ dB(A)	82,5 dB(A)	85,6 dB(A)

Nível de potência do som garantido L_{WA} (de acordo com 2000/14/CE)	96 dB(A)	96 dB(A)
Vibração a_{hv} , $K=1,5$ m/s ²	Pega esquerda	3,65 m/s ²
	Pega direita	1,64 m/s ²
Travão da lâmina	Sim	Sim

- O valor total declarado da vibração foi medido de acordo com um método de teste padrão e pode ser usado para comparar duas ferramentas;
- O valor total declarado da vibração também pode ser usado numa avaliação preliminar da exposição.

AVISO: A emissão de vibrações durante a utilização da ferramenta elétrica pode diferir do valor declarado em que a ferramenta é usada. De modo a proteger o utilizador, este deverá utilizar luvas e proteção auditiva nas condições atuais de utilização.

PT

LISTA DE PEÇAS

NOME DA PEÇA	QUANTIDADE
Máquina de cortar relva	1
Saco de recolha da relva	1
Estrutura do saco de recolha da relva	1
Inserção de adubar	1
Saída lateral de descarga	1
Chave de segurança	2
Manual do utilizador	1

DESCRIÇÃO

CONHEÇA A SUA MÁQUINA DE CORTAR RELVA (Fig. A, B, C, D e E)

1. Gatilho autopropulsor
2. Pega
3. Interruptor de asa (Alavanca do interruptor)
4. Botão do interruptor
5. Saco de recolha da relva
6. Manipulo de ajuste rápido
7. Alavanca de ajuste de altura de corte
8. Roda traseira
9. Saída de descarga lateral
10. Porta de descarga lateral
11. Cobertura da máquina de cortar relva

12. Luzes LED
13. Roda dianteira
14. Tampa da bateria
15. Pega traseira
16. Porta de descarga traseira
17. Alavanca de controlo de velocidade do autopropulsor
18. Proteção posterior
19. Ranhura da chave de segurança
20. Botão de libertação de bateria
21. Botão de ligação das luzes LED
22. Indicador de potência da máquina de cortar relva
23. Inserção de adubar
24. Saída de descarga lateral

PT

FUNCIONAMENTO

MONTAR O SACO DE RECOLHA DA RELVA

- 1) Faça deslizar o saco de recolha da relva para a estrutura (Fig. F).
- 2) Monte os cliques superiores na estrutura (Fig. G) e, em seguida, monte os dois cliques laterais. Por fim, monte o clipe inferior.
- 3) O saco de recolha da relva completamente montado é apresentado na Fig. H.

AJUSTAR A PEGA DESDOBRÁVEL

AVISO: Não tente ligar a máquina de cortar relva até que a pega esteja bloqueada numa das três posições de funcionamento predefinidas (POSIÇÃO DE FUNCIONAMENTO SUPERIOR, POSIÇÃO DE FUNCIONAMENTO INTERMÉDIA e POSIÇÃO DE FUNCIONAMENTO INFERIOR).

A sua máquina de cortar relva é enviada com a pega na posição compacta, POSIÇÃO DE ARMAZENAMENTO BLOQUEADA (Fig. I).

- 1) Puxe os dois manipuladores de ajuste rápido e rode 90° para libertar a pega da POSIÇÃO DE ARMAZENAMENTO BLOQUEADA.
- 2) Levante a pega. Rode com cuidado a pega para trás até esta atingir uma das três diferentes posições, como apresentado na Fig. J. Rode os manipuladores 90° até ouvir e sentir que o pino de bloqueio encaixa na posição correta.

Fig. J descrição das peças apresentada abaixo:

J-1	Posição de funcionamento superior
-----	-----------------------------------

J-2	Posição de funcionamento intermédia
J-3	Posição de funcionamento inferior
J-4	Posição de armazenamento bloqueado

AVISO: Os dois manipuladores de ajuste rápido devem estar à mesma altura durante o ajuste, por forma a que possam ser acionados em posição simultaneamente.

FIXAR/RETIRAR O SACO DE RECOLHA DA RELVA/INSERÇÃO DE ADUBAR

AVISO: Nunca faça qualquer ajuste na máquina de cortar relva sem desligar primeiro o motor e retirar a chave de segurança e esperar que a lâmina para de rodar.

AVISO: Fixe quaisquer acessórios à máquina de cortar relva antes de cortar a relva.

■ Para fixar/retirar o saco de recolha da relva (Fig. K)

Ajuste a pega para a posição de funcionamento adequada. Levante a porta de descarga traseira e encaixe o saco de recolha da relva na haste rotativa. Para retirar, basta levantar o saco de recolha da relva, para fora da haste rotativa. Por fim, solte a porta de descarga traseira.

AVISO: Retire a inserção de adubar pré-instalada da máquina de cortar relva antes de fixar o saco de recolha da relva na máquina de cortar relva.

■ Para fixar/retirar a inserção de adubar (Fig. L)

Levante a porta de descarga traseira e insira a inserção de adubar na máquina de cortar relva. Para retirar, basta puxar para fora. Por fim, solte a porta de descarga traseira.

■ Para fixar/retirar a saída de descarga lateral (Fig. M)

Levante a porta de descarga lateral. Alinhe a ranhura da saída de descarga com o manipulador da porta de descarga e solte a porta de descarga lateral com cuidado rodando-a em torno da haste rotativa até ficar firmemente assente na saída de descarga. Para retirar, levante a porta de descarga lateral, levante a saída de descarga lateral para cima, para fora do manipulador de montagem da porta.

Fig. M descrição das peças apresentada abaixo:

M-1	Porta de descarga lateral
M-2	Manipulo de montagem
M-3	Ranhura de montagem
M-4	Saída de descarga lateral

AJUSTAR A ALTURA DE CORTE (Fig. N)

AVISO: Mantenha os pés afastados da cobertura quando ajustar a altura. A máquina de cortar relva pode ser definida para 6 alturas de corte entre 20 mm e 90 mm. Escolha a altura de corte adequada de acordo com os tipos e condições da relva.

AVISO: Quando mover a ferramenta, certifique-se de que a altura de corte está ajustada para a posição 3 ou superior. Se não o fizer, pode dar origem a danos na lâmina.

FIXAR/RETIRAR A BATERIA (Fig. O)

CARREGUE ANTES DA PRIMEIRA UTILIZAÇÃO.

AVISO: Se alguma peça estiver partida ou em falta, não tente fixar a bateria na máquina de cortar relva nem utilizar a máquina até que as peças partidas ou em falta sejam substituídas. Se não o fizer, pode dar origem a ferimentos graves.

■ Para fixar

Empurre a bateria para o compartimento da bateria até ouvir um “clique”.

■ Para retirar

Prima o botão de libertação da bateria no compartimento da bateria.

Fig. O descrição das peças apresentada abaixo:

0-1	Ranhura da chave de segurança
0-2	Chave de segurança
0-3	Botão de libertação da bateria

AVISO: Certifique-se de que a aba na máquina de cortar relva fica fixa, e que a bateria também fica fixa na máquina de cortar relva antes de começar a utilização.

LIGAR/DESLIGAR A MÁQUINA DE CORTAR RELVA

AVISO: O funcionamento de qualquer máquina de cortar relva pode dar origem ao resalto de quaisquer objetos estranhos que podem ser atirados para os olhos, podendo dar origem a sérias lesões óticas. Utilize sempre óculos de segurança enquanto utiliza a máquina de cortar relva ou enquanto efetua quaisquer ajustes ou reparações.

AVISO: Certifique-se de que outras pessoas e animais permanecem a, pelo menos, 30m da máquina de cortar relva durante a utilização.

AVISO: A lâmina continua a rodar durante alguns segundos após a máquina de cortar relva ser desligada. Deixe o motor/lâmina pararem por completo antes de voltar a ligar. Não ligue e desligue rapidamente a máquina de cortar relva.

CHAVE DE SEGURANÇA

De forma a evitar a ligação acidental ou uso não autorizado da sua máquina de cortar relva sem fios, uma chave de segurança removível foi incorporada na conceção da sua máquina de cortar relva. A máquina de cortar relva será completamente desativada quando a chave de segurança tiver sido retirada da máquina de cortar relva.

PERIGO: As lâminas rotativas podem causar ferimentos graves. Para evitar ferimentos graves, retire a chave de segurança quando a máquina de cortar relva não estiver sob vigilância ou ao ajustar, limpar, efetuar a manutenção, transportar, levantar ou armazenar a máquina de cortar relva.

Para ligar (Fig. Q)

- 1) Fixe a bateria na máquina de cortar relva, insira a chave de segurança na ranhura de segurança e feche a tampa da bateria (Fig. O).
- 2) De acordo com a Fig. P, prima o botão de segurança.
- 3) Com o botão de segurança premido, puxe o interruptor de asa para cima para a pega e liberte o botão de segurança.

Para parar (Fig. R)

1. Liberte o interruptor de asa.
- 2) O travão elétrico do mecanismo de travagem automática vai parar a rotação da lâmina no espaço de 3 segundos após libertar o interruptor de asa.

SISTEMA AUTOPROPULSOR DE VELOCIDADE VARIÁVEL(LM2010E-SP)

A máquina de cortar relva LM2010E-SP está equipada com capacidade de autopropulsor de velocidade variável. Este sistema é independente do interruptor Ligar-Desligar lâmina; não depende da rotação da lâmina.

Para desligar o autopropulsor, liberte o gatilho do autopropulsor.

O sistema possui velocidade variável. Para aumentar a velocidade, mova a alavanca de controlo de velocidade do autopropulsor para a frente. Para diminuir a velocidade, mova a alavanca de controlo de velocidade do autopropulsor para trás (Fig. S).

Para colocar em funcionamento com a lâmina de rotação para cortar:

1. Ligue a máquina de cortar relva.
2. Enquanto mantém o interruptor de asa contra a pega com a mão esquerda, puxe o gatilho autopropulsor para a pega com a mão direita.

PT

- Mantenha o interruptor de asa e o gatilho autopropulsor simultaneamente contra a pega com a mão direita e utilize a mão esquerda para ajustar a alavanca de controlo de velocidade do autopropulsor para escolher a velocidade desejada.

⚠ AVISO: Para reduzir o risco de ferimento, nunca tente ignorar o funcionamento do interruptor ou sistema autopropulsor. Utilize o autopropulsor apenas para o fim a que se destina.

LUZES DE TRABALHO LED NA MÁQUINA DE CORTAR RELVA (Fig A-12)

PT

Prima o interruptor (Fig. C-21) para ligar/desligar as luzes de trabalho LED na dianteira do compartimento de bateria.

INDICADOR DA ENERGIA NA MÁQUINA DE CORTAR RELVA (Fig. D-22)

A máquina de cortar relva vem equipada com um indicador da energia, para indicar o estado de carga da bateria e o estado de funcionamento da máquina de cortar relva. O indicador da energia acende quando a lâmina estiver a rodar ou quando as luzes de funcionamento LED acenderem.

Indicador da energia na máquina de cortar relva	Significado	Ação
Verde brilhante	A máquina de cortar relva está a funcionar corretamente; a bateria tem, pelo menos, 15% da carga	N/A
Vermelho brilhante	Bateria fraca	Pare a máquina de cortar relva e recarregue a bateria
Vermelho a piscar	A bateria está quase gasta	Pare a máquina de cortar relva e recarregue a bateria
Cor-de-laranja brilhante	A máquina de cortar relva ou a bateria sobreaqueceu	Retire a bateria da máquina de cortar relva, leve-a para a sombra e deixe arrefecer durante, pelo menos, 15 minutos
Cor-de-laranja a piscar	A máquina de cortar relva está sobrecarregada	Ablande o ritmo ou levante a altura de corte para diminuir a carga

PROTEÇÃO CONTRA SOBRECARGA DA MÁQUINA DE CORTAR RELVA

Para evitar condições de sobrecarga, não tente cortar demasiada relva de uma vez. Ablande o ritmo de corte ou aumente a altura de corte.

A sua máquina de cortar relva possui um circuito de proteção contra sobrecargas incorporado. Quando a máquina de cortar relva estiver sobrecarregada, o motor para e o indicador da energia na máquina pisca a cor-de-laranja. Retire a bateria da máquina de cortar relva. Verifique se a relva foi recolhida sob a cobertura e limpe-a se necessário. Depois instale a bateria e reinicie a máquina de cortar relva.

PROTEÇÃO CONTRA ALTA TEMPERATURA DA BATERIA

A bateria gera calor durante o funcionamento. O calor dissipa-se mais lentamente com tempo quente. Se a temperatura da bateria exceder os 70 °C durante o funcionamento, o circuito de proteção desliga imediatamente a máquina de cortar relva para proteger a bateria de danos. O indicador da energia na máquina de cortar relva brilha a cor-de-laranja.

Liberte a pega de asa, espere que a bateria arrefeça até cerca de 67 °C, depois volte a ligar a máquina de cortar relva.

MANUTENÇÃO

⚠ AVISO: Para evitar ferimentos pessoais graves, retire sempre a chave de segurança e a bateria da máquina de cortar relva antes de limpar ou efetuar qualquer manutenção.

⚠ AVISO: Quando fizer reparações, utilize apenas peças sobressalentes idênticas. A utilização de outras peças pode criar um perigo ou provocar danos no produto. Para assegurar a segurança e bom funcionamento, todas as reparações e substituições deverão ser efetuadas por um técnico de reparação qualificado.

LIMPEZA DA MÁQUINA DE CORTAR RELVA

⚠ AVISO: Retire sempre a chave de segurança e a bateria ao efetuar a manutenção ou transportar a máquina de cortar relva.

A parte inferior da cobertura da máquina de cortar relva deve ser limpa após cada utilização, pois os restos de relva, folhas, sujidades e outros resíduos podem ficar acumulados. Esta acumulação é indesejável, pois irá promover o aparecimento de ferrugem e corrosão de peças metálicas e reduzir a eficiência de corte da máquina de cortar relva.

Retire quaisquer resíduos de relva e de folhas no eixo motriz e em redor deste (apenas LM2010E-SP) e da ventoinha do motor (não utilize água). Limpe a máquina de cortar relva com um pano humedecido.

RETIRAR/INSTALAR A LÂMINA

AVISO: Proteja sempre as suas mãos usando luvas resistentes ou embrulhando as extremidades de corte com trapos ou com outros materiais quando efetuar qualquer manutenção na lâmina da máquina de cortar relva.

■ Para retirar a lâmina (Fig. V).

AVISO: Se o parafuso rodar com o eixo do motor ao soltar o parafuso, rode a ventoinha manualmente para alinhar os orifícios de passagem com a ventoinha com os orifícios na lâmina e coloque outra haste metálica nos orifícios alinhados

■ Para instalar a lâmina

Na sequência de montagem na Fig. U, com a lâmina da ventoinha voltada para a cobertura e o lado impresso da lâmina voltado para fora, alinhe os orifícios de passagem na ventoinha com os orifícios na lâmina (Fig. W) e, depois, aperte a lâmina como apresentado na Fig. X.

Fig. U e V descrição das peças apresentada abaixo:

U-1	Ventoinha	U-5	Parafuso
U-2	Rebordo interior	V-1	Estabilizador 1
U-3	Rebordo exterior	V-2	Estabilizador 2
U-4	Lâmina	V-3	Chave de 14 mm

AVISO: O binário recomendado para aperto do parafuso da lâmina é de 49-59Nm.

ARMAZENAMENTO DA MÁQUINA DE CORTAR RELVA

- Retire a bateria da máquina de cortar relva e armazene num local fresco, seco e limpo. Não guarde perto de materiais corrosivos, como fertilizante ou sal grosso.
- Lubrifique a máquina de cortar relva.
- Armazene a máquina de cortar relva num espaço coberto e fechado, fresco e seco, e fora do alcance das crianças.
- Não cubra a máquina de cortar relva com um plástico sólido. As coberturas de plástico prendem a humidade em volta da máquina de cortar relva, provocando corrosão e ferrugem.
- A máquina de cortar relva pode ser armazenada na vertical ou na horizontal (Fig. Y).

AVISO: Se a máquina de cortar relva começar a inclinar-se, isso pode dar origem a danos na máquina ou ferimentos pessoais. Mantenha sempre a máquina de cortar relva estável e fora do alcance de crianças quando estiver na vertical. Se possível, deite-a para armazenamento.

Proteção do ambiente



Não elimine o equipamento elétrico, o carregador da bateria e as baterias/baterias recarregáveis juntamente com o lixo doméstico comum!

De acordo com a norma europeia 2002/19/UE, o equipamento elétrico e eletrónico que deixe de ser usado e de acordo com a norma europeia 2006/66/CE, as baterias gastas ou defeituosas têm de ser recolhidas em separado.

Se os equipamentos elétricos forem eliminados em aterros ou lixeiras, substâncias perigosas podem vazar para os lençóis freáticos e entrar na cadeia de alimentação, danificando a sua saúde e bem-estar.

PT

DECLARAÇÃO DE CONFORMIDADE CE

Nós, CHERVON EUROPE LTD.

47 CASTLE STREET, READING, RG1 7SR, UNITED KINGDOM

Declaramos que o produto máquina de cortar relva sem fios de **ião e lítio de 56 V LM2010E/LM2010E-SP** se encontra em conformidade com os requisitos essenciais de saúde e segurança das seguintes Diretivas:

2006/42/CE, 2004/108/CE, 2011/65/UE, 2000/14/CE

Normas e características técnicas relativas a:

EN 60335-1, EN 60335-2-77, EN 62233, EN 55014-1, EN 55014-2

	LM2100E	LM2100E-SP
Nível de potência do som medido:	94 dB(A)	94,32 dB(A)
Nível de potência de som garantido:	96 dB(A)	96 dB(A)

Peter Melrose
Vice-presidente da Chervon Europe
Chervon

Dong Jianxun
Gestor de Qualidade da Chervon

* (Representante autorizado da CHERVON e responsável pela documentação técnica)

01/01/2016

RESOLUÇÃO DE PROBLEMAS

⚠️ AVISO: Retire sempre a chave de segurança e a bateria ao efetuar a manutenção ou transportar a máquina de cortar relva. Proteja sempre as suas mãos usando luvas resistentes ou embrulhando as extremidades de corte com trapos ou com outros materiais quando efetuar qualquer manutenção na lâmina da máquina de cortar relva.

PT

PROBLEMA	CAUSA	SOLUÇÃO
A máquina de cortar relva não liga	<ul style="list-style-type: none"> ■ A bateria está gasta. ■ A bateria não está montada no local do compartimento da bateria. ■ A bateria ou circuito da máquina de cortar relva está demasiado quente. (O indicador da energia na máquina de cortar relva acende a cor-de-laranja durante 10 segundos) ■ As calhas laterais não estão esticadas ao máximo e as braçadeiras não estão bloqueadas na respetiva posição. ■ A pega não está fixada a uma das duas posições de funcionamento. ■ A cobertura da máquina de cortar relva está obstruída com relva e resíduos. 	<ul style="list-style-type: none"> ■ Carregue a bateria. ■ Fixe a bateria na máquina de cortar relva e pressione até ouvir um clique. ■ Deixe a bateria ou a máquina de cortar relva arrefecer até que a temperatura desça abaixo dos 67 °C. ■ Estique por completo a pega e fixe ambas as braçadeiras. ■ Ajuste a pega numa das duas posições de funcionamento. ■ Limpe a cobertura da máquina de cortar relva e certifique-se de que a lâmina gira livremente.
A máquina de cortar relva corta de um modo pouco uniforme	<ul style="list-style-type: none"> ■ A lâmina não está afiada. ■ A altura de corte não foi definida corretamente. ■ A lâmina foi montada incorretamente. 	<ul style="list-style-type: none"> ■ Afie ou substitua a lâmina. ■ Levante a cobertura para uma altura de corte superior. ■ Volte a montar a lâmina, tendo em conta a secção "INSTALAR A LÂMINA" neste manual.



PROBLEMA	CAUSA	SOLUÇÃO
A máquina de cortar relva para enquanto corta relva	<ul style="list-style-type: none">■ A bateria está gasta.■ A máquina de cortar relva está em sobrecarga.■ A cobertura da máquina de cortar relva está obstruída com relva e resíduos.■ A bateria ou circuito da máquina de cortar relva está demasiado quente. (O indicador da energia na máquina de cortar relva acende a cor-de-laranja durante 10 segundos.)■ A calha lateral está um pouco retraída pela força aplicada na pega.	<ul style="list-style-type: none">■ Carregue a bateria.■ Aumente a altura de corte ou abraque enquanto corta relva.■ Elimine a obstrução na cobertura da máquina de cortar relva. Aumente a altura de corte ou corte de um modo mais estreito.■ Deixe a bateria ou a máquina de cortar relva arrefecer até que a temperatura desça abaixo dos 67 °C.■ Desbloqueie as braçadeiras. Estique por completo as calhas laterais e volte a fixar as braçadeiras.
A máquina de cortar relva não aduba corretamente	<ul style="list-style-type: none">■ Existe relva molhada colada na parte inferior da cobertura.■ A máquina de cortar relva está definida para cortar demasiada relva de uma única vez.	<ul style="list-style-type: none">■ Espere que a relva seque antes de cortar.■ Levante a cobertura para uma altura de corte superior.
Há muita vibração	<ul style="list-style-type: none">■ A lâmina de corte está solta.■ A lâmina de corte está desequilibrada.■ A lâmina de corte está dobrada.■ O eixo do motor está dobrado.	<ul style="list-style-type: none">■ Aperte o parafuso da lâmina.■ Equilibre a lâmina, tendo em conta as instruções.■ Substitua a lâmina.■ Contacte o centro de reparação.
As braçadeiras de fixação da pega não podem ser fechadas na respetiva posição.	<ul style="list-style-type: none">■ As calhas laterais não estão esticadas por completo.	<ul style="list-style-type: none">■ Estique por completo as calhas laterais e volte a fixar as braçadeiras.

PT

GARANTIA

POLÍTICA DE GARANTIA EGO

Visite o website egopowerplus.com para os termos e condições completos da política de garantia da EGO.

LEGGERE TUTTE LE ISTRUZIONI!



LEGGERE E COMPRENDERE LE ISTRUZIONI

⚠️ Rischi residui! Le persone portatrici di dispositivi elettronici, ad esempio pacemaker, devono consultare il proprio medico prima di usare questo prodotto. L'utilizzo di apparecchi elettrici in prossimità di pacemaker cardiaci comporta il rischio di interferenze o malfunzionamento del pacemaker.

⚠️ AVVERTENZA! Per garantire sicurezza e affidabilità, tutte le riparazioni e sostituzioni devono essere eseguite da un tecnico qualificato.

Usò previsto e uso improprio: il prodotto è destinato al taglio dell'erba esclusivamente in giardini domestici. Non deve essere usato per tagliare erba particolarmente alta, asciutta o bagnata, come quella dei pascoli, né per tritare foglie. Usare l'apparecchio esclusivamente per gli scopi previsti. Altri utilizzi sono da considerarsi uso improprio.

SIMBOLI DI SICUREZZA

Lo scopo dei simboli di sicurezza è attirare l'attenzione dell'operatore su possibili pericoli. I simboli di sicurezza e le relative spiegazioni richiedono la massima attenzione e comprensione da parte dell'operatore. Le avvertenze espresse dai simboli, da sole, non eliminano tutti i rischi. Le istruzioni e le avvertenze non sostituiscono le adeguate misure di prevenzione contro gli incidenti.

⚠️ AVVERTENZA! Accertarsi di aver letto e compreso tutte le istruzioni di sicurezza in questo manuale, inclusi tutti i simboli di avvertenza come "PERICOLO", "AVVERTENZA" e "ATTENZIONE", prima di usare questo apparecchio. Il mancato rispetto di tutte le istruzioni riportate di seguito comporta il rischio di scossa elettrica, incendio e/o lesioni gravi.

SIGNIFICATO DEI SIMBOLI

AVVERTENZA DI SICUREZZA: Indica **PERICOLO**, **AVVERTENZA** o **ATTENZIONE**. Può essere usato in combinazione con altri simboli.

⚠️ AVVERTENZA! L'uso di apparecchi elettrici può causare il lancio di oggetti estranei verso l'operatore, con il rischio di gravi lesioni agli occhi. Durante l'uso dell'apparecchio, indossare sempre occhiali protettivi o occhiali di sicurezza con protezioni laterali e, se necessario, una maschera facciale. Si consiglia di indossare una maschera di sicurezza con ampio campo visivo sopra gli occhiali o gli occhiali di sicurezza standard con protezioni laterali.

ISTRUZIONI DI SICUREZZA

Questa pagina illustra e descrive i simboli di sicurezza che possono comparire sul prodotto. Leggere, comprendere e seguire tutte le istruzioni sull'apparecchio prima di tentare di assemblarlo e ripararlo.

	Avvertenza di sicurezza	Precauzioni relative alla sicurezza dell'operatore.
	Indossare protezioni per gli occhi	Durante l'uso del prodotto, indossare sempre occhiali protettivi o occhiali di sicurezza con protezioni laterali e una maschera facciale.
	AVVERTENZA! Leggere il manuale di istruzioni	Per ridurre il rischio di infortunio, l'utente deve leggere e comprendere tutte le istruzioni prima di usare questo prodotto.
	Fare attenzione alle lame affilate	Le lame continuano a ruotare dopo lo spegnimento del motore - Rimuovere la batteria prima delle operazioni di manutenzione. Spegner e rimuovere il gruppo batteria prima di effettuare operazioni di regolazione o pulizia.
	Tenere lontane le altre persone	Assicurarsi che eventuali altre persone e animali rimangano ad almeno 30m di distanza dal tosaerba quando è in funzione.
	Apparecchio di classe II	Apparecchio dotato di doppio isolamento.
IPX4	Simbolo IP	Protezione contro l'ingresso di acqua di livello 4
V	Volt	Voltaggio
A	Ampere	Corrente
Hz	Hertz	Frequenza (cicli al secondo)
W	Watt	Potenza
min	Minuti	Tempo
	Corrente alternata	Tipo di corrente
	Corrente continua	Tipo o caratteristica della corrente
n_0	Velocità a vuoto	Velocità di rotazione, senza carico
... /min	Al minuto	Rotazioni al minuto

NORME DI SICUREZZA SPECIFICHE PER TOSAERBA A BATTERIA

▲ PERICOLO! Questo apparecchio è stato costruito per funzionare conformemente alle norme di sicurezza incluse in questo manuale. Come per tutti gli apparecchi elettrici, disattenzione o errori da parte dell'operatore comportano il rischio di lesioni gravi. Questo apparecchio comporta il rischio di lesioni a mani e piedi e di lancio di oggetti. Il mancato rispetto di tutte le istruzioni di sicurezza comporta il rischio di lesioni gravi o mortali.

▲ AVVERTENZA! Durante l'uso dei tosaerba a batteria è necessario rispettare alcune elementari norme di sicurezza per ridurre il rischio di incendio, scossa elettrica e infortunio.

IMPORTANTE

LEGGERE ATTENTAMENTE PRIMA DELL'USO. CONSERVARE PER RIFERIMENTO FUTURO.

NORME DI SICUREZZA SPECIFICHE PER TOSAERBA A BATTERIA

ATTENZIONE! NON TOCCARE LA LAMA ROTANTE!

ROTANTE! FORMAZIONE ALL'USO

- Leggere attentamente le istruzioni. Familiarizzarsi con i comandi e l'uso corretto dell'apparecchio.
- Non consentire l'uso dell'apparecchio a bambini o persone che non hanno letto queste istruzioni. Normative locali possono limitare l'uso in base all'età.
- Non azionare mai l'apparecchio se sono presenti persone, soprattutto bambini, o animali nelle vicinanze.
- L'operatore o utente è responsabile per incidenti o rischi causati ad altre persone o proprietà.

PREPARAZIONE

- Durante l'uso dell'apparecchio, indossare sempre scarpe robuste e pantaloni lunghi.
- Non usare l'apparecchio a piedi nudi o indossando sandali aperti. Non indossare indumenti ampi o con stringhe e lacci.
- Ispezionare accuratamente l'area di lavoro e rimuovere eventuali pietre, rami, cavi, ossi e altri oggetti estranei.
- Prima dell'uso, ispezionare sempre visivamente l'apparecchio per verificare che le lame, i bulloni delle lame e il gruppo di taglio non siano usurati o danneggiati. Se le lame o i bulloni sono usurati o danneggiati, sostituire sempre tutto il gruppo per mantenere l'apparecchio bilanciato. Sostituire le etichette adesive danneggiate o illeggibili.

FUNZIONAMENTO

- Usare l'apparecchio solo alla luce del giorno o con una buona illuminazione artificiale.
- Evitare l'uso dell'apparecchio su erba bagnata, se possibile.
- Puntare bene i piedi sui terreni pendenti.
- Durante l'uso dell'apparecchio, camminare e non correre.
- Su terreni pendenti, lavorare sempre perpendicolarmente alla discesa, mai verso l'alto o verso il basso.
- Prestare particolare attenzione quando si cambia direzione sui terreni pendenti.
- Non usare l'apparecchio se la pendenza del terreno è eccessiva.
- Prestare particolare attenzione quando si inverte la direzione dell'apparecchio o lo si tira verso di sé.
- Bloccare le lame se è necessario inclinare l'apparecchio per attraversare superfici non erbose o durante il trasporto da/verso l'area di lavoro.
- Non usare l'apparecchio se i dispositivi di protezione sono danneggiati o mancanti, ad esempio se manca il deflettore e/o il sacco raccogliërba.
- Accendere il motore conformemente alle istruzioni e tenendo i piedi lontani dalle lame.
- Non inclinare l'apparecchio quando si accende il motore, a meno che non sia espressamente indicato. In tal caso, non inclinare l'apparecchio più dello stretto necessario e sollevare solo la parte distante dall'operatore. Assicurarsi sempre che entrambe le mani siano in posizione operativa prima di riportare l'apparecchio sul terreno.
- Non avviare l'apparecchio stando davanti all'apertura di scarico.
- Non posizionare mani o piedi in prossimità o sotto le parti mobili. Nel caso di tosaerba rotativi, tenersi sempre distanti dalle aperture di scarico.
- Non sollevare o trasportare l'apparecchio quando il motore è in funzione.
- Spegner e rimuovere il gruppo batteria (o il dispositivo di disattivazione) ed accertarsi che le parti mobili siano completamente ferme prima di regolare o pulire l'apparecchio e:
 - prima di lasciare l'apparecchio incustodito;
 - prima di eliminare un'ostruzione o liberare lo scivolo di scarico;
 - prima di controllare, pulire o eseguire lavori sull'apparecchio;

IT

- dopo aver urtato un oggetto estraneo (ispezionare l'apparecchio per verificare che non abbia subito danni e ripararlo se necessario);
- In caso di vibrazioni anomale (controllare immediatamente):
 - verificare l'assenza di danni;
 - sostituire o riparare eventuali componenti danneggiati;
 - controllare l'assenza di componenti allentati e serrarli se necessario.

MANUTENZIONE E CONSERVAZIONE

- Prestare attenzione durante la regolazione dell'apparecchio per evitare di intrappolare le dita tra le lame rotanti e le parti fisse dell'apparecchio.
- Mantenere serrati tutti i dadi, le viti e i bulloni per garantire che l'apparecchio sia in condizioni operative sicure.
- Controllare frequentemente che il sacco raccoglierba non sia usurato o danneggiato.
- Per motivi di sicurezza, sostituire le parti usurate o danneggiate.
- Manipolare le lame con cautela perché, anche se la batteria è stata scollegata o rimossa, le lame possono comunque muoversi.
- Accertarsi di sostituire gli accessori di taglio esclusivamente con ricambi del tipo corretto.

SICUREZZA PERSONALE

Possono verificarsi incidenti anche mortali se l'operatore non si accorge della presenza di bambini. I bambini sono spesso attratti dal tosaerba e il suo funzionamento e non comprendono i rischi correlati. Non supporre mai che i bambini rimangano dove sono stati visti l'ultima volta.

- Tenere i bambini fuori dall'area di lavoro e sotto la stretta supervisione di un altro adulto responsabile.
- Rimanere sempre vigili e spegnere il tosaerba se un bambino accede all'area di lavoro.
- Prestare particolare attenzione in prossimità di angoli ciechi, porte d'ingresso, cespugli, alberi o altri oggetti che possono impedire di accorgersi dell'avvicinamento di un bambino.
- Sorvegliare i bambini per assicurarsi che non giochino con l'apparecchio.
- Spegnerlo sempre il tosaerba prima di rimuovere il gruppo batteria. Bloccare le lame se è necessario inclinare l'apparecchio per attraversare superfici non erbose o durante il trasporto da/verso l'area di lavoro.

FUNZIONAMENTO

FUNZIONAMENTO GENERALE

- Leggere attentamente questo manuale nella sua interezza prima di tentare di assemblare il tosaerba. Leggere, comprendere e seguire tutte le istruzioni riportate sul tosaerba e nel manuale prima dell'uso. Familiarizzarsi con

tutti i comandi e l'uso corretto del tosaerba prima dell'uso. Conservare il manuale in un luogo sicuro per riferimento futuro e per acquistare parti di ricambio.

- Usare l'apparecchio appropriato - Non usare l'apparecchio per scopi diversi da quelli per cui è progettato.
- Non allungarsi eccessivamente - Tenere i piedi a contatto con il pavimento e mantenere sempre l'equilibrio.
- Eventuali oggetti colpiti dalla lama del tosaerba possono causare lesioni gravi. Ispezionare attentamente il prato e rimuovere tutti gli oggetti estranei prima di usare l'apparecchio.
- Prima e durante l'uso dell'apparecchio in retromarcia, guardare dietro di sé e verso il basso per verificare l'assenza di bambini piccoli e altre persone.
- Il tosaerba non è un giocattolo. Pertanto, è necessario prestare estrema attenzione in ogni momento. Questo apparecchio è progettato per eseguire una sola funzione: tagliare erba. Non usarlo per altri scopi.
- Non forzare il tosaerba - Sarà più efficace e sicuro se usato al regime per cui è stato progettato.
- Prima dell'uso, ispezionare sempre visivamente l'apparecchio per verificare che le lame, i bulloni delle lame e il gruppo di taglio non siano usurati o danneggiati. Se le lame, i bulloni o altri componenti sono usurati o danneggiati, sostituire sempre tutto il gruppo per mantenere l'apparecchio bilanciato. Sostituire le etichette adesive danneggiate o illeggibili.
- Prestare particolare attenzione quando si inverte la direzione dell'apparecchio o lo si tira verso di sé.
- Ispezionare accuratamente l'area in cui verrà usato l'apparecchio. Rimuovere oggetti come pietre, rami, cavi, giocattoli e altri oggetti estranei per non inciamparvi ed evitare che vengano raccolti e lanciati dalla lama. Eventuali oggetti lanciati dall'apparecchio possono causare lesioni gravi. Pianificare il percorso dell'apparecchio per evitare lo scarico di materiale verso strade, marciapiedi, altre persone, ecc. Inoltre, evitare di scaricare materiale contro pareti o ostruzioni per evitare che il materiale rimbalzi verso l'operatore.
- Per evitare il rischio di contatto con la lama o di lesioni causate da oggetti lanciati dall'apparecchio, rimanere dietro l'impugnatura e tenere bambini, altre persone, assistenti e animali ad almeno 30m di distanza dal tosaerba quando è in funzione. Arrestare la macchina se un'altra persona accede all'area di lavoro.
- Indossare sempre occhiali di sicurezza o protettivi durante l'uso dell'apparecchio e durante le operazioni di regolazione o riparazione per evitare lesioni oculari. Eventuali oggetti lanciati verso l'operatore possono causare lesioni gravi agli occhi. Indossare sempre una maschera facciale o antipolvere se l'ambiente è polveroso.

- Vestirsi adeguatamente - Non indossare indumenti ampi o gioielli perché possono impigliarsi nelle parti in movimento. Si raccomanda l'uso di guanti in gomma e calzature robuste durante i lavori all'aperto. Indossare robuste calzature di lavoro antiscivolo e pantaloni e magliette aderenti. Si consiglia l'uso di magliette a manica lunga, pantaloni lunghi e calzature con la punta in ferro. Non usare mai il tosaerba a piedi nudi o indossando sandali o calzature scivolose o leggere (ad esempio in tela).
- Non posizionare mani o piedi in prossimità delle parti rotanti o sotto il gruppo di taglio. Il contatto con le lame comporta il rischio di lesioni a mani e piedi.
- Se il coperchio dello scarico è danneggiato o mancante, sussiste il rischio di lesioni dovute al contatto con la lama o con oggetti lanciati dall'apparecchio.
- Numerosi incidenti sono dovuti al trascinarsi del tosaerba sui piedi durante una caduta causata da scivolamenti o inciampamenti. Non appoggiarsi al tosaerba durante la caduta: rilasciare immediatamente l'impugnatura.
- Non tirare mai il tosaerba verso di sé mentre si cammina. Se è necessario fare arretrare il tosaerba per liberarlo da un muro o un'ostruzione, guardare preventivamente dietro di sé e in basso per evitare di inciampare, quindi procedere come descritto di seguito.
 - Allontanarsi dal tosaerba fino a stendere completamente le braccia.
 - Accertarsi di essere in equilibrio e con i piedi completamente a contatto con il terreno.
 - Tirare lentamente il tosaerba verso di sé, senza superare metà della distanza.
 - Se necessario, ripetere questi passaggi.
- Non usare il tosaerba se si è sotto l'effetto di droghe o alcol.
- Non usare l'apparecchio se i dispositivi di protezione sono danneggiati o mancanti, ad esempio se manca il deflettore e/o il sacco raccogliherba.
- Rimanere vigili - Prestare attenzione al lavoro che si sta effettuando. Usare il buon senso. Non usare il tosaerba se si è stanchi.
- L'impugnatura di controllo del motore/lama è un dispositivo di sicurezza. Non tentare di manomettere il suo funzionamento per non disattivare il dispositivo di sicurezza ed evitare il rischio di lesioni dovute al contatto con la lama rotante. L'impugnatura di controllo del motore/lama deve essere perfettamente funzionante in entrambe le direzioni e deve ritornare automaticamente alla posizione originale quando viene rilasciata.
- Evitare gli ambienti pericolosi - Non usare il tosaerba in ambienti umidi o bagnati.
- Non usare l'apparecchio sotto la pioggia.
- Mantenere sempre i piedi a contatto con il terreno. Scivolamenti e cadute possono causare lesioni gravi. Se si percepisce l'imminente perdita di equilibrio, rilasciare immediatamente l'impugnatura di controllo del motore/lama; la lama smetterà di ruotare entro tre secondi.
- Arrestare la lama durante l'attraversamento di strade, vialetti o sentieri in ghiaia.
- Se l'apparecchio inizia a vibrare in modo anomalo, arrestare il motore e individuare immediatamente la causa. La vibrazione è generalmente sintomo di un problema:
 - verificare l'assenza di danni;
 - sostituire o riparare eventuali componenti danneggiati;
 - controllare l'assenza di componenti allentati e serrarli se necessario.
- Non usare mai il tosaerba senza il paraspruzzi posteriore, lo sportello dello scarico, il sacco raccogliherba, l'accessorio per pacciamatura, lo scivolo di scarico laterale, l'impugnatura di controllo del motore/lama o altri dispositivi di sicurezza correttamente posizionati e funzionanti. Non usare il tosaerba con dispositivi di sicurezza danneggiati per evitare il rischio di lesioni.
- In caso di situazioni non contemplate in questo manuale, agire con cautela e usare il buon senso. Contattare il centro di assistenza EGO per assistenza.
- Usare l'apparecchio esclusivamente con i gruppi batteria e caricabatteria elencati di seguito.

IT

GRUPPO BATTERIA	CARICABATTERIA
BA1120E, BA2240E, BA2800, BA3360, BA4200	CH5500E, CH2100E

- Il gruppo batteria deve essere rimosso dall'apparecchio prima che sia smaltito.
- La batteria deve essere smaltita in modo sicuro.

USO SU TERRENI PENDENTI

I terreni pendenti hanno un ruolo primario negli incidenti relativi a scivolamenti e cadute, che comportano il rischio di lesioni gravi. Puntare bene i piedi sui terreni pendenti. I lavori su terreni pendenti richiedono estrema cautela. Se si percepisce insicurezza su un terreno pendente, non usare l'apparecchio.

Da fare:

- Su terreni pendenti, lavorare sempre perpendicolarmente alla discesa, mai verso l'alto o verso il basso. Prestare particolare attenzione quando si cambia direzione sui terreni pendenti.
- Prestare attenzione a buche, solchi, pietre, oggetti nascosti o protuberanze che possono causare scivolamenti o cadute. L'erba alta può nascondere eventuali ostacoli.

Da evitare:

- Non usare il tosaerba in prossimità di discese ripide, fossi o argini per evitare di perdere l'equilibrio e cadere.
- Non usare l'apparecchio su terreni con pendenza superiore a 15 gradi.
- Non usare l'apparecchio sull'erba bagnata. Le superfici scivolose comportano il rischio di caduta.

IT

RIPARAZIONI

⚠ AVVERTENZA! I componenti del sacco raccogliherba, il coperchio dello scarico, lo scivolo di scarico laterale, l'accessorio per pacciamatura e il paraspruzzi posteriore sono soggetti a usura e danni e al conseguente rischio di lesioni dovute al contatto con le parti in movimento o oggetti lanciati dal tosaerba. Per ragioni di sicurezza, controllare frequentemente tutti i componenti e sostituire immediatamente quelli danneggiati con parti di ricambio identiche, riportate in questo manuale. Contattare il servizio clienti EGO o il centro di assistenza EGO più vicino: riparazioni e sostituzioni devono essere effettuate da un tecnico qualificato!

- Se l'interruttore di protezione contro il sovraccarico integrato nel tosaerba scatta frequentemente, contattare il servizio clienti EGO o il centro di assistenza EGO.
- Non pulire l'apparecchio con tubi per innaffiare; evitare le infiltrazioni d'acqua nel motore e nelle connessioni elettriche.
- Rimuovere la chiave e riporre il tosaerba in interni quando non è in uso. Attendere che il motore si raffreddi prima di riporre l'apparecchio. Conservare il tosaerba in un luogo asciutto, elevato o chiuso a chiave, fuori dalla portata dei bambini.
- Per la riparazione dell'apparecchio, usare esclusivamente le parti di ricambio elencate in questo manuale. L'uso di parti che non soddisfano le specifiche delle parti originali possono compromettere le prestazioni e la sicurezza del tosaerba.
- Rimuovere o scollegare il gruppo batteria prima di riparare, pulire o rimuovere materiale dal tosaerba.

- Seguire le istruzioni relative alla lubrificazione e alla sostituzione degli accessori.
- Tenere le impugnature asciutte, pulite e prive di olio e grasso.
- Per ridurre il rischio di incendio, mantenere il vano motore privo di accumuli di detriti, erba e foglie.
- Controllare a brevi intervalli che la lama e i bulloni di fissaggio del motore siano serrati correttamente. Inoltre, ispezionare visivamente la lama per verificare l'assenza di danni (verificare ad esempio che non sia piegata, incrinata o usurata) Sostituire la lama esclusivamente con una lama di ricambio identica, riportata in questo manuale.
- Mantenere il tosaerba in buono stato - Mantenere le lame affilate e pulite per prestazioni sicure e ottimali. Le lame del tosaerba sono affilate e comportano il rischio di lesioni. Proteggere la lama o indossare guanti e prestare particolare attenzione durante la manutenzione del gruppo di taglio.
- Non rimuovere o alterare i dispositivi di sicurezza. Controllare con regolarità che funzionino correttamente. Non effettuare mai operazioni suscettibili di interferire con la destinazione d'uso di un dispositivo di sicurezza o ridurre il grado di protezione fornito.
- Arrestare sempre il motore prima di regolare una ruota o l'altezza di taglio.
- Dopo aver urtato un oggetto estraneo, arrestare il motore, rimuovere la chiave e ispezionare accuratamente il tosaerba per verificare che non abbia subito danni. Riparare il danno prima di usare il tosaerba.
- Mantenere pulite le etichette operative e di sicurezza e sostituirle se necessario. Contattare il servizio clienti EGO o il centro di assistenza EGO più vicino: riparazioni e sostituzioni devono essere effettuate da un tecnico qualificato!
- **CONSERVARE QUESTE ISTRUZIONI.** Consultarle frequentemente e usarle per istruire gli altri utenti dell'apparecchio. Se si presta questo apparecchio ad altre persone, allegare anche queste istruzioni per evitare l'uso errato dell'apparecchio e il rischio di infortunio.

USO E MANUTENZIONE DELLA BATTERIA

- Per salvaguardare le risorse naturali, riciclare o smaltire le batterie adeguatamente. Questo prodotto contiene batterie agli ioni di litio. Normative locali o nazionali possono vietare lo smaltimento delle batterie agli ioni di litio insieme ai rifiuti indifferenziati. Contattare le autorità competenti per informazioni relative alle opzioni per il riciclo e/o lo smaltimento.
- Dopo la rimozione del gruppo batteria a scopo di smaltimento o riciclo, coprire i terminali del gruppo batteria con del robusto nastro isolante. Non tentare

di distruggere o disassemblare il gruppo batteria o di rimuoverne i componenti. Le batterie agli ioni di litio devono essere riciclate o smaltite adeguatamente. Inoltre, non toccare mai i terminali con oggetti metallici e/o parti del corpo per evitare il rischio di cortocircuito. Tenere fuori dalla portata dei bambini. Il mancato rispetto di queste avvertenze comporta il rischio di incendio e/o gravi infortuni.

- **L'UTILIZZO IMPROPRIO DELL'UTENSILE ELETTRICO PUÒ CAUSARE FUORIUSCITE DI LIQUIDO DALLA BATTERIA: EVITARE IL CONTATTO CON TALE LIQUIDO. IN CASO DI CONTATTO ACCIDENTALE, LAVARE CON ACQUA. SE IL LIQUIDO ENTRA IN CONTATTO CON GLI OCCHI, CONSULTARE UN MEDICO.** Il liquido fuoriuscito dalla batteria può causare irritazioni o ustioni.

- Il valore totale di vibrazioni indicato è stato misurato tramite il metodo di collaudo standard e può essere utilizzato per confrontare l'apparecchio con altri prodotti analoghi.
- Il valore totale di vibrazioni indicato può essere utilizzato anche per una valutazione preliminare dei livelli di esposizione.

ATTENZIONE! L'emissione di vibrazioni durante l'uso effettivo dell'apparecchio può variare rispetto al valore indicato in base a come viene utilizzato l'utensile. Per proteggersi, l'operatore deve indossare guanti e dispositivi di protezione per le orecchie in base alle reali condizioni d'uso.

SPECIFICHE TECNICHE

Numero modello	LM2010E	LM2010E-SP	
Sistema di avanzamento automatico	No	Si	
Voltaggio	56 V	56 V	
Velocità a vuoto	3150 /min	3150 /min	
Altezza di taglio	25-95 mm	25-95 mm	
Numero di posizioni altezza di taglio	6	6	
Dimensioni dell'apparecchio	51 cm	51 cm	
Ampiezza di taglio	50 cm	50 cm	
Volume del sacco raccogliherba	60 L	60 L	
Peso (senza gruppo batteria)	25,1 kg	28,1 kg	
Modello della lama	AB2001	AB2001	
Livello di potenza sonora misurato L_{WA}	94 dB(A)	94,32 dB(A)	
Livello di pressione sonora a livello dell'orecchio dell'operatore L_{PA} $K=2,5$ dB(A)	82,5 dB(A)	85,6 dB(A)	
Livello di potenza sonora garantito L_{WA} (conformemente a 2000/14/EC)	96 dB(A)	96 dB(A)	
Vibrazioni a_{hv} $K=1,5$ m/s ²	Impugnatura sinistra	3,65 m/s ²	1,08 m/s ²
	Impugnatura destra	1,64 m/s ²	0,88 m/s ²
Freno lama	Si	Si	

CONTENUTO DELLA CONFEZIONE

DENOMINAZIONE DEL COMPONENTE	QUANTITÀ
Tosaerba	1
Sacco raccogliherba	1
Telaio del sacco raccogliherba	1
Accessorio per pacciamatura	1
Scivolo di scarico laterale	1
Chiave di sicurezza	2
Manuale di istruzioni	1

IT

DESCRIZIONE

DESCRIZIONE DEL TOSAERBA (Fig. A, B, C, D e E)

1. Interruttore di avanzamento automatico
2. Impugnatura
3. Barra di avviamento (Interruttore a leva)
4. Interruttore
5. Sacco raccogliherba
6. Manopola di regolazione rapida
7. Leva regolazione altezza di taglio
8. Ruota posteriore
9. Scivolo di scarico laterale
10. Sportello scarico laterale
11. Unità tosaerba
12. Fanali LED
13. Ruota anteriore
14. Coperchio vano batteria
15. Impugnatura posteriore

16. Sportello scarico posteriore
17. Leva di controllo velocità di avanzamento automatico
18. Paraspruzzi posteriore
19. Fessura per chiave di sicurezza
20. Pulsante di rilascio della batteria
21. Interruttore fanali LED
22. Spia di carica sul tosaerba
23. Accessorio per pacciamatura
24. Scivolo di scarico laterale

FUNZIONAMENTO

ASSEMBLAGGIO DEL SACCO RACCOGLIERBA

- IT**
- 1) Fare scorrere il sacco raccoglierba sul telaio (Fig. F).
 - 2) Assemblare i fermagli superiori sul telaio (Fig. G), quindi assemblare i due fermagli laterali. Assemblare per ultimo il fermaglio inferiore.
 - 3) Il sacco raccoglierba completamente assemblato è mostrato in Fig. H.

REGOLAZIONE DELL'IMPUGNATURA PIEGHEVOLE

AVVERTENZA! Non tentare di avviare il tosaerba finché l'impugnatura non è stata bloccata in una delle tre posizioni operative predefinite (POSIZIONE OPERATIVA SUPERIORE, POSIZIONE OPERATIVA INTERMEDIA o POSIZIONE OPERATIVA INFERIORE).

Il tosaerba è consegnato con l'impugnatura in POSIZIONE BLOCCATA (Fig. I).

- 1) Estrarre le due manopole di regolazione rapida e ruotarle di 90° per sbloccare l'impugnatura dalla POSIZIONE BLOCCATA.
- 2) Sollevare l'impugnatura. Ruotare delicatamente l'impugnatura all'indietro finché non raggiunge una delle tre diverse posizioni illustrate in Fig. J. Ruotare le manopole di 90° fino a sentire il perno che scatta nella posizione corretta.

Descrizione delle parti in Fig. J:

J-1	Posizione operativa superiore
J-2	Posizione operativa intermedia
J-3	Posizione operativa inferiore
J-4	Posizione bloccata

NOTA: le due manopole di regolazione rapida devono essere alla stessa altezza durante la regolazione, affinché possano essere posizionate contemporaneamente.

INSTALLAZIONE/RIMOZIONE DEL SACCO RACCOGLIERBA/ACCESSORIO PER PACCIAMATURA

AVVERTENZA! Non regolare mai il tosaerba senza aver prima arrestato il motore, rimosso la chiave di sicurezza e atteso il completo arresto della lama.

ATTENZIONE! Installare sul tosaerba uno degli accessori prima dell'uso.

- **Installare/rimuovere il sacco raccoglierba (Fig. K)**
Impostare l'impugnatura in una delle posizioni operative. Sollevare lo sportello di scarico posteriore e agganciare il sacco raccoglierba all'asta perno. Per rimuovere il sacco raccoglierba, sollevarlo dall'asta perno. Infine, rilasciare lo sportello dello scarico posteriore.
- **ATTENZIONE!** Rimuovere l'accessorio per pacciamatura dal tosaerba prima di installare il sacco raccoglierba sul tosaerba.
- **Installare/rimuovere l'accessorio per pacciamatura (Fig. L)**
Sollevare lo sportello di scarico posteriore e inserire l'accessorio per pacciamatura nel tosaerba. Per rimuoverlo è sufficiente estrarlo. Infine, rilasciare lo sportello dello scarico posteriore.
- **Installare/rimuovere lo scivolo di scarico laterale (Fig. M)**
Sollevare lo sportello dello scarico laterale. Allineare la scanalatura dello scivolo di scarico con la manopola dello sportello di scarico e rilasciare delicatamente lo sportello dello scarico laterale per farlo ruotare intorno all'asta perno finché non appoggia saldamente sullo scivolo di scarico. Per rimuoverlo, sollevare lo sportello dello scarico laterale, sollevare lo scivolo dello scarico laterale ed estrarlo dalla manopola di assemblaggio dello sportello.

Descrizione delle parti in Fig. M:

M-1	Sportello dello scarico laterale
M-2	Manopola di assemblaggio
M-3	Scanalatura di assemblaggio
M-4	Scivolo di scarico laterale

REGOLARE L'ALTEZZA DI TAGLIO (Fig. N)

AVVERTENZA! Tenere i piedi distanti dal tosaerba durante la regolazione dell'altezza. Il tosaerba è dotato di 6 altezze di taglio, da 20 mm a 90 mm. Selezionare l'altezza di taglio più adatta al tipo e alle condizioni dell'erba.

ATTENZIONE! Durante il trasporto dell'apparecchio, accertarsi che l'altezza di taglio sia impostata in posizione 3 o superiore per evitare di danneggiare la lama.

INSTALLARE/RIMUOVERE IL GRUPPO BATTERIA (Fig. O)

RICARICARE PRIMA DEL PRIMO UTILIZZO.

AVVERTENZA! In caso di componenti danneggiati o mancanti, non tentare di installare il gruppo batteria sul tosaerba e non usare il tosaerba finché le parti danneggiate o mancanti sono state sostituite per evitare il rischio di lesioni gravi.

■ **Installazione**

Spingere il gruppo batteria nel vano batteria fino a udire un "clic".

■ **Rimozione**

Premere il pulsante di rilascio della batteria nel vano batteria.

Descrizione delle parti in Fig. O:

0-1	Fessura per chiave di sicurezza
0-2	Chiave di sicurezza
0-3	Pulsante di rilascio della batteria

NOTA: accertarsi che il dispositivo di chiusura sul tosaerba si incastrì in posizione e che il gruppo batteria sia fissato al tosaerba prima di iniziare il lavoro.

AVVIARE/ARRESTARE IL TOSAERBA

AVVERTENZA! L'uso del tosaerba può causare il lancio di oggetti estranei verso l'operatore o altre persone, con il rischio di lesioni gravi agli occhi. Indossare sempre occhiali di sicurezza durante l'uso, la regolazione o la riparazione del tosaerba.

AVVERTENZA! Assicurarsi che eventuali altre persone e animali rimangano ad almeno 30m di distanza dal tosaerba quando è in funzione.

AVVERTENZA! La lama continua a ruotare per qualche secondo dopo lo spegnimento del tosaerba. Attendere che il motore/lama smetta di ruotare prima di riavviarlo. Non accendere e spegnere il tosaerba in rapida successione.

CHIAVE DI SICUREZZA

Per evitare l'avviamento accidentale o non autorizzato del tosaerba, nel design del tosaerba è stata incorporata una chiave di sicurezza removibile. Il tosaerba sarà completamente disattivo dopo aver rimosso la chiave di sicurezza.

PERICOLO! Le lame rotanti possono causare lesioni gravi. Per evitare lesioni gravi, rimuovere la chiave di sicurezza prima di lasciare il tosaerba incustodito o durante le operazioni di regolazione, pulizia, riparazione, trasporto, sollevamento o rimessaggio del tosaerba.

Avvio (Fig. Q)

- 1) Installare il gruppo batteria sul tosaerba, inserire la chiave di sicurezza nell'apposita fessura e chiudere il coperchio del vano batteria (Fig. O).
- 2) Come illustrato in Fig. P, premere il pulsante di sicurezza.
- 3) Tenendo premuto il pulsante di sicurezza, tirare la barra di avviamento verso l'impugnatura e rilasciare il pulsante di sicurezza.

Arresto (Fig. R)

- 1) Rilasciare la barra di avviamento.
- 2) Il freno elettrico del meccanismo di freno automatico arresterà la rotazione della lama entro 3 secondi dal rilascio della barra di avviamento.

SISTEMA DI AVANZAMENTO AUTOMATICO A VELOCITÀ VARIABILE (LM2010E-SP)

Il tosaerba LM2010E-SP è dotato di un sistema di avanzamento automatico a velocità variabile. Il sistema è indipendente dall'interruttore della lama; non dipende dalla rotazione della lama.

Per usare il sistema senza al rotazione della lama, tirare la leva di avanzamento automatico verso l'impugnatura.

Per spegnere il sistema di avanzamento automatico, rilasciare la leva di avanzamento automatico.

Il sistema è dotato di velocità variabile. Per aumentare la velocità, spostare la leva di controllo della velocità di avanzamento automatico in avanti. Per diminuire la velocità, spostare la leva di controllo della velocità di avanzamento automatico all'indietro (Fig. S).

Funzionamento con la lama rotante di taglio

1. Avviare il tosaerba.
2. Tenendo la barra di avanzamento contro l'impugnatura con la mano sinistra, tirare la leva di avanzamento automatico verso l'impugnatura con la mano destra.
3. Tenere la barra di avanzamento e la leva di avanzamento automatico simultaneamente contro l'impugnatura con la mano destra, e usare la mano sinistra per regolare la leva di controllo della velocità di avanzamento automatico per selezionare la velocità desiderata.

AVVERTENZA! Per ridurre il rischio di lesioni, non tentare di disabilitare il funzionamento dell'interruttore o del sistema di avanzamento automatico. Usare l'avanzamento automatico esclusivamente per lo scopo previsto.

IT

LUCI LED SUL TOSAERBA (Fig. A-12)

Premere l'interruttore (Fig. D-21) per accendere/spengere le luci LED situate sulla parte anteriore del vano batteria.

SPIA DI CARICA SUL TOSAERBA (Fig. D-22)

Il tosaerba è dotato di una spia di carica che indica il livello di carica del gruppo batteria e lo stato operativo del tosaerba. La spia si illumina quando la lama è in rotazione o quando le luci LED sono accese.

Spia di carica sul tosaerba	Significato	Azione
Verde fissa	Il tosaerba è in funzione correttamente; la batteria è carica per almeno il 15%	N/A
Rossa fissa	Batteria debole	Arrestare il tosaerba e ricaricare il gruppo batteria
Rossa lampeggiante	Batteria quasi scarica	Arrestare il tosaerba e ricaricare il gruppo batteria
Arancione fissa	Il tosaerba o il gruppo batteria è surriscaldato	Rimuovere la batteria dal tosaerba, spostarli in un luogo all'ombra e lasciarli raffreddare per almeno 15 minuti
Arancione lampeggiante	Il motore è sovraccarico	Ridurre la velocità o aumentare l'altezza di taglio per ridurre il carico.

PROTEZIONE CONTRO IL SOVRACCARICO

Per evitare danni causati da condizioni di sovraccarico, non tentare di tagliare troppa erba in una sola volta. Ralzentare la velocità di taglio o aumentare l'altezza di taglio.

Il tosaerba è dotato di un circuito di protezione integrato contro il sovraccarico. Se il tosaerba è sovraccarico, il motore si arresterà e la spia di carica sul tosaerba lampeggerà di arancione. Rimuovere il gruppo batteria dal tosaerba. Controllare se l'erba si è accumulata sotto l'unità tosaerba e rimuoverla se necessario, quindi installare la batteria e riavviare il tosaerba.

PROTEZIONE CONTRO IL SURRISCALDAMENTO DELLA BATTERIA

Il gruppo batteria genera calore quando il tosaerba è in funzione. Il calore si dissipa più lentamente in ambienti caldi. Se la temperatura della batteria supera i 70°C quando il tosaerba è in funzione, il circuito di protezione spegnerà immediatamente il tosaerba per evitare che il gruppo batteria subisca danni. La spia di carica sul tosaerba si illuminerà di arancione. Rilasciare la barra di avviamento, attendere che la temperatura del gruppo batteria scenda fino a circa 67°C, quindi riavviare il tosaerba.

MANUTENZIONE

AVVERTENZA! Per evitare lesioni gravi, rimuovere sempre la chiave di sicurezza e il gruppo batteria dal tosaerba prima delle operazioni di pulizia o manutenzione.

AVVERTENZA! Per la riparazione dell'apparecchio, usare esclusivamente parti di ricambio identiche. L'uso di altri ricambi comporta situazioni pericolose o il rischio di danni all'apparecchio. Per garantire sicurezza e affidabilità, tutte le riparazioni e sostituzioni devono essere eseguite da un tecnico qualificato.

PULIZIA DEL TOSAERBA

AVVERTENZA! Rimuovere sempre la chiave di sicurezza e il gruppo batteria durante la riparazione o il trasporto del tosaerba.

Pulire la parte inferiore del tosaerba dopo ogni utilizzo per evitare l'accumulo di erba tagliata, foglie, sporcizia e altri detriti. Tale accumulo è dannoso perché favorisce la ruggine e la corrosione delle parti metalliche e riduce l'efficienza di taglio del tosaerba.

Rimuovere gli eventuali accumuli di erba e foglie sopra o intorno all'albero motore (esclusivamente LM2010E-SP) e alla ventola motore (non usare acqua). Pulire la superficie con un panno umido.

RIMOZIONE/INSTALLAZIONE DELLA LAMA

AVVERTENZA! Proteggere sempre le proprie mani indossando guanti robusti o avvolgendo i bordi di taglio con stracci o altri materiali durante le operazioni di manutenzione sulla lama del tosaerba.

- Rimuovere la lama (Fig. V).

NOTA: se il bullone ruota insieme all'albero motore quando viene allentato, ruotare la ventola a mano per allineare i fori nella ventola con i fori nella lama, e posizionare un'asta metallica attraverso i fori allineati

■ Installare la lama

Seguendo la sequenza di assemblaggio illustrata in Fig. U, con la ventola rivolta verso l'unità tosaerba e il lato stampato della lama rivolto verso l'esterno, allineare i fori nella ventola con i fori nella lama (Fig. W), quindi serrare la lama come illustrato in Fig. X.

Descrizione delle parti in Fig. U e V:

U-1	Ventola	U-5	Bullone
U-2	Flangia interna	V-1	Stabilizzatore 1
U-3	Flangia esterna	V-2	Stabilizzatore 2
U-4	Lama	V-3	Chiave 14 mm

NOTA: la coppia di serraggio raccomandata per la lama è 49-59Nm.

CONSERVAZIONE DEL TOSAERBA

- Rimuovere il gruppo batteria dal tosaerba e riportarlo in un luogo pulito, fresco e asciutto. Non conservarlo in prossimità di sostanze corrosive, ad esempio fertilizzante o sale.
- Lubrificare il tosaerba.
- Conservare il tosaerba in uno spazio coperto e chiuso, fresco e asciutto, fuori dalla portata dei bambini.
- Non coprire il tosaerba con teli cerati. I teli cercati intrappolano l'umidità intorno al tosaerba, favorendo la formazione di ruggine e corrosioni.
- Il tosaerba può essere conservato in posizione verticale o orizzontale (Fig. Y).

⚠ AVVERTENZA! Se il tosaerba inizia a inclinarsi quando è in posizione verticale può causare danni o lesioni. Stabilizzare sempre il tosaerba quando è in posizione verticale e tenerlo fuori dalla portata dei bambini. Se possibile, conservarlo in posizione piana.

Protezione dell'ambiente



Non smaltire gli apparecchi elettrici, caricabatteria e batterie/batterie ricaricabili insieme ai rifiuti indifferenziati!

Conformemente alle direttive europee 2012/19/EU e 2006/66/CE, i rifiuti di apparecchiature elettriche ed elettroniche, pile e accumulatori devono essere raccolti separatamente e smaltiti nel rispetto dell'ambiente.

Se gli apparecchi elettrici vengono smaltiti nelle discariche, le sostanze pericolose possono infiltrarsi nelle falde acquifere e contaminare la catena alimentare, con effetti dannosi sulla salute e il benessere.

DICHIARAZIONE DI CONFORMITÀ CE

Il costruttore, CHERVON EUROPE LTD.

47 CASTLE STREET, READING, RG1 7SR, UNITED KINGDOM

dichiara che il tosaerba a **batteria li-ion 56 V LM2010E/LM2010E-SP** è conforme ai requisiti essenziali in materia di salute e sicurezza delle seguenti direttive:

2006/42/EC, 2004/108/EC, 2011/65/EU, 2000/14/EC

Standard e specifiche tecniche conformi a:

EN 60335-1, EN 60335-2-77, EN 62233, EN 55014-1, EN 55014-2

	LM2100E	LM2100E-SP
Livello di potenza sonora misurato:	94 dB(A)	94,32 dB(A)
Livello di potenza sonora garantito:	96 dB(A)	96 dB(A)

Peter Melrose
Vice Presidente Chervon Europe

Dong Jianxun
Responsabile Qualità Chervon

* (Rappresentante autorizzato per CHERVON e responsabile della documentazione tecnica)

01/01/2016

RISOLUZIONE DEI PROBLEMI

AVVERTENZA! Rimuovere sempre la chiave di sicurezza e il gruppo batteria durante la riparazione o il trasporto del tosaerba. Proteggere sempre le proprie mani indossando guanti robusti o avvolgendo i bordi di taglio con stracci o altri materiali durante le operazioni di manutenzione sulla lama del tosaerba.

IT

PROBLEMA	CAUSA	SOLUZIONE
Il tosaerba non si avvia	<ul style="list-style-type: none"> ■ Il gruppo batteria è scarico. ■ Il gruppo batteria non è installato correttamente nel vano batteria. ■ La temperatura del gruppo batteria o del tosaerba è troppo elevata (la spia di carica sul tosaerba si illuminerà di arancione per 10 secondi). ■ I binari laterali non sono estesi alla lunghezza massima e i morsetti non sono bloccati in posizione. ■ L'impugnatura è impostata in una delle due posizioni operative. ■ Il tosaerba è ostruito da erba e detriti. 	<ul style="list-style-type: none"> ■ Ricaricare il gruppo batteria. ■ Spingere il gruppo batteria nel vano batteria fino a udire un "clic". ■ Attendere che la temperatura del gruppo batteria o del tosaerba scenda al di sotto di 67°C. ■ Estendere completamente l'impugnatura e bloccare entrambe i morsetti. ■ Impostare l'impugnatura in una delle due posizioni operative. ■ Pulire il tosaerba e assicurarsi che la lama sia libera di muoversi.
Il tosaerba non taglia in modo uniforme	<ul style="list-style-type: none"> ■ La lama è smussata. ■ L'altezza di taglio non è adeguata. ■ La lama è assemblata in modo errato. 	<ul style="list-style-type: none"> ■ Affilare o sostituire la lama. ■ Aumentare l'altezza di taglio. ■ Riassemblare la lama seguendo le istruzioni alla sezione INSTALLAZIONE DELLA LAMA di questo manuale.
Il tosaerba si arresta durante l'uso	<ul style="list-style-type: none"> ■ Il gruppo batteria è scarico. ■ Il tosaerba è sovraccarico. ■ Il tosaerba è ostruito da erba e detriti. ■ La temperatura del gruppo batteria o del tosaerba è troppo elevata (la spia di carica sul tosaerba si illuminerà di arancione per 10 secondi). ■ I binari laterali sono leggermente ritratti a causa della forza esercitata sull'impugnatura. 	<ul style="list-style-type: none"> ■ Ricaricare il gruppo batteria. ■ Ridurre la velocità o aumentare l'altezza di taglio. ■ Pulire il tosaerba. Aumentare l'altezza di taglio o ridurre la quantità di erba tagliata. ■ Attendere che la temperatura del gruppo batteria o del tosaerba scenda al di sotto di 67°C. ■ Sbloccare i morsetti. Estendere completamente i binari laterali e bloccare nuovamente i morsetti.

PROBLEMA	CAUSA	SOLUZIONE
Il tosaerba non esegue una corretta pacciamatura	<ul style="list-style-type: none">■ Sulla parte inferiore del tosaerba rimangono incollati pezzi di erba bagnata.■ Il tosaerba è regolato sul taglio di troppa erba in una sola volta.	<ul style="list-style-type: none">■ Attendere che l'erba si asciughi prima di tagliarla.■ Aumentare l'altezza di taglio.
Vibrazioni eccessive	<ul style="list-style-type: none">■ La lama di taglio è allentata.■ La lama di taglio non è bilanciata.■ La lama di taglio è piegata.■ L'albero di comando è piegato.	<ul style="list-style-type: none">■ Serrare il bullone della lama.■ Bilanciare la lama conformemente alle istruzioni.■ Sostituire la lama.■ Contattare il centro di assistenza.
Non è possibile chiudere i morsetti di bloccaggio dell'impugnatura	<ul style="list-style-type: none">■ I binari laterali non sono completamente estesi.	<ul style="list-style-type: none">■ Estendere completamente i binari laterali, quindi bloccare i morsetti.

GARANZIA

CONDIZIONI DELLA GARANZIA EGO

Visitare il sito web egopowerplus.com per consultare le condizioni complete della garanzia EGO.

LEES ALLE INSTRUCTIES!



LEES EN BEGRIJP DE GEBRUIKERSHANDLEIDING

⚠ Restrisico! Personen met elektronische apparaten, zoals pacemakers, moeten eerst hun art(sen) raadplegen voordat ze dit product mogen gebruiken. De werking van een elektrisch apparaat in de nabijheid van een pacemaker kan een storing of defect aan de pacemaker veroorzaken.

⚠ WAARSCHUWING: Om een continue veiligheid en betrouwbaarheid te waarborgen, dienen alle reparaties en vervangingen van onderdelen uitgevoerd te worden door een vakbekwame reparateur.

NL

Beoogd gebruik & voorzienbaar misbruik: Het beoogd gebruik is uitsluitend het maaien van gras in de tuin van woonhuizen. Hij mag niet worden gebruikt voor het maaien van buitengewoon hoog, droog of nat gras, bijv. weilanden; of om bladeren klein te maken. Het product mag alleen voor het voorheen genoemde doeleinde worden gebruikt. Ieder ander gebruik is in dit geval misbruik.

VEILIGHEIDSSYMBOLEN

Het doel van de veiligheidssymbolen is om u te wijzen op mogelijke gevaren. Besteed daarom voldoende aandacht hieraan en begrijp de veiligheidssymbolen en bijbehorende uitleg. De symboolwaarschuwingen op zich elimineren geen enkel gevaar. De gegeven instructies en waarschuwingen gelden niet als vervanging voor gepaste voorzorgsmaatregelen tegen ongevallen.

⚠ WAARSCHUWING: Lees en begrijp alle veiligheidsinstructies die in deze gebruikershandleiding zijn vermeld, waaronder alle veiligheidssymbolen zoals "GEVAAR", "WAARSCHUWING", en "OPGELET" voordat u dit apparaat in gebruik neemt. Het negeren van onderstaande instructies kan leiden tot elektrische schokken, brand en/of ernstig persoonlijk letsel.

BETEKENIS VAN DE SYMBOLEN

WAARSCHUWINGSSYMBOL: Geeft **GEVAAR**, **WAARSCHUWING**, of **OPGELET** aan. Kan worden gebruikt in combinatie met andere symbolen of pictogrammen.

⚠ WAARSCHUWING: De werking van het apparaat kan leiden tot het rondslingeren van (vreemde) objecten die in uw ogen kunnen terechtkomen. Dit kan leiden tot ernstig oogletsel. Wanneer u elektrische apparaten gebruikt, zorg er dan voor dat u altijd een veiligheidsbril (met zijschermen) of een gelaatsscherm draagt. We bevelen aan om een gelaatsscherm over uw bril of standaard veiligheidsbril met zijschermen te gebruiken.

VEILIGHEIDSVORSCHRIFTEN

Deze pagina toont en beschrijft alle veiligheidssymbolen die zich op dit product kunnen bevinden. Lees, begrijp en volg alle instructies op de machine voordat u deze in elkaar zet en gebruikt.

SAFETY INSTRUCTIONS

This page depicts and describes safety symbols that may appear on this product. Read, understand, and follow all instructions on the machine before attempting to assemble and operate.

	Veiligheidswaarschuwing	Voorzorgsmaatregelen voor uw veiligheid.
	Draag oogbescherming	Draag altijd een veiligheidsbril met zijschermen en een gelaatsscherm als u dit product gebruikt.
	WAARSCHUWING: Lees de gebruikershandleiding	De gebruiker dient de gebruikershandleiding voor het gebruik van dit product te lezen en te begrijpen om risico op letsel te beperken.
	Pas op de scherpe messen op.	De messen draaien nog nadat de motor is uitgeschakeld - Verwijder het blokkerend gereedschap voor onderhoud. Apparaat uitschakelen en accupack ontkoppelen (of blokkeer het apparaat) voordat u instellingen uitvoert of het apparaat reinigt.
	Houd omstanders uit de buurt	Zorg dat andere personen en huisdieren zich op minstens 30 meter van de grasmaaier bevinden wanneer u hem gebruikt.
	Klasse II constructie	Dubbel geïsoleerde constructie.

IPX4	IP symbool	Bescherming tegen het binnendringen van water klasse 4
V	Volt	Spanning
A	Ampère	Stroom
Hz	Hertz	Frequentie (cycli per seconde)
W	Watt	Vermogen
min	Minuten	Tijd
~	Wisselstroom	Stroomtype
≡	Gelijkstroom	Stroomtype of -karakteristiek
η_0	Snelheid zonder belasting	Draaisnelheid, zonder belasting
.../min	Per minuut	Toeren per minuut

VEILIGHEIDSLINSTRUCTIES VOOR DE ACCU GRASMAAIER

⚠ GEVAAR: Deze machine werd gebouwd om volgens de veiligheidsvoorschriften, waaronder de voorschriften in deze handleiding, worden gebruikt. Net zoals bij ieder elektrisch gereedschap kunnen nalatigheid of fouten van de gebruiker resulteren in ernstig letsel. Deze machine is in staat handen en voeten te verwonden en voorwerpen rond te slingeren. Het negeren van de veiligheidsinstructies kan ernstig letsel of de dood tot gevolg hebben.

⚠ WAARSCHUWING: Tijdens het gebruik van accu grasmaaiers, moeten de volgende standaard veiligheidsmaatregelen worden genomen om het risico op brand, elektrische schokken en persoonlijk letsel te vermijden.

BELANGRIJK

LEES GRONDIG VOOR GEBRUIK. BEWAAR VOOR LATERE RAADPLEGING.

VEILIGHEIDSLINSTRUCTIES VOOR DE ACCU GRASMAAIERS:

WAARSCHUWING RAAK HET ROTERENDE MES NIET AAN!

OPLEIDING

- Lees de instructies aandachtig door. Maak u vertrouwd met de bedieningsknoppen en het juiste gebruik van het apparaat.

- Kinderen of personen die deze instructies niet kennen mogen het apparaat nooit gebruiken. De lokale wetgeving kan een minimum leeftijd voor de gebruiker opleggen.
- Maai nooit als er zich mensen, in het bijzonder kinderen of huisdieren, in de buurt bevinden.
- De bediener of gebruiker is verantwoordelijk voor ongevallen of gevaren die zich bij ander personen of hun eigendommen voordoen.

VOORBEREIDING

- Tijdens het maaien, draag altijd gepast schoeisel en een lange broek.
- Gebruik het apparaat nooit met blote voeten of sandalen. Voorkom dat u los zittende kleding met los hangende koorden of stropdassen draagt.
- Controleer het gebied waar u het apparaat wilt gebruiken en verwijder alle stenen, stokken, draden, botten en andere vreemde voorwerpen.
- Voordat u het apparaat gebruikt, dient u de messen, moeren van de messen en de opbouw van de messen op slijtage of beschadigingen te controleren. Vervang versleten of beschadigde messen en moeren als set om de balans te behouden. Vervang beschadigde of onleesbare labels.

WERKING

- Maai alleen bij daglicht of voldoende kunstmatig licht.
- Voorkom naar mogelijkheid het gebruik in nat gras.
- Let op uw houding als u het apparaat op hellingen gebruikt.
- Altijd lopen, nooit rennen.
- Met grasmaaiers met wielen dient u de hellingen zijdelings te maaien, nooit naar boven en beneden.
- Wees erg voorzichtig als u van richting verandert op een helling.
- Maai niet op extreem steile hellingen.
- Wees zeer voorzichtig als u draait of het apparaat in uw richting trekt.
- Stop het mes (de messen) als het apparaat gekanteld wordt voor transport over andere oppervlakten dan gras en als u het apparaat van en naar het gazon brengt waar u wilt maaien.
- Gebruik het apparaat nooit met defecte schermen of beschermers, of zonder gemonteerd veiligheidsmechanisme, zoals deflectors en/of de opvangzak.
- Schakel de motor volgens de instructies in en houd uw voeten uit de buurt van het mes (de messen).
- Kantel het apparaat niet als u de motor inschakelt, tenzij het apparaat gekanteld moet worden om het in te schakelen. In dit geval dient u het apparaat niet meer dan nodig te kantelen en alleen het gedeelte te kantelen, dat het verst weg is van de bediener. Houd

NL

beide handen in werkstand voordat u het apparaat op de grond inschakelt.

- Start de machine niet, als u voor de afvoeropening staat.
- Houd uw handen en voeten uit de buurt van de draaiende onderdelen. In geval van cirkelmaaiers dient u uit de buurt van de afvoeropening te blijven.
- Til het apparaat nooit op en draag het niet als de motor is ingeschakeld.
- Schakel uit en verwijder het accupack (of schakel het apparaat uit) en zorg ervoor dat alle bewegende onderdelen helemaal tot stilstand zijn gekomen voordat u veranderingen uitvoert of de machine reinigt:
 - Wanneer u het apparaat zonder toezicht achterlaat;
 - Voordat u een blokkade verwijdert of de koker leeg maakt;
 - Voor het controleren, reinigen of onderhouden van het apparaat;
 - Na het raken van een vreemd voorwerp; Controleer het apparaat op beschadigingen en voer indien nodig reparaties uit.
- Als het apparaat overmatig trilt (direct controleren):
 - Controleer op beschadigingen;
 - Vervang of repareer beschadigde onderdelen;
 - Controleer op losse onderdelen en draai deze vast.

ONDERHOUD EN OPSLAG

- Wees voorzichtig bij het instellen van de machine om het vast komen te zitten met de vingers tussen de bewegende messen en vaste delen van het apparaat te voorkomen.
- Zorg dat alle moeren, bouten en schroeven altijd stevig vastgedraaid zijn om een veilige werking van het apparaat te waarborgen.
- Controleer de opvangzak regelmatig op slijtage of schade.
- Vervang versleten of beschadigde onderdelen uit veiligheidsoverwegingen.
- Als u onderhoud aan de messen uitvoert dient u erop te letten, dat ondanks dat de stroombron is uitgeschakeld, de messen desalniettemin kunnen bewegen.
- In geval van cirkelmaaiers dient u ervoor te zorgen, dat de messen door het juiste type wordt vervangen.

PERSOONLIJKE VEILIGHEID

Er kunnen tragische ongelukken gebeuren als de gebruiker niet alert is bij de aanwezigheid van kinderen. Kinderen worden vaak aangetrokken tot de grasmaaier en de maai-activiteiten. Zij begrijpen de gevaren niet. Ga er nooit van uit dat kinderen op de plek blijven, waar u ze voor het laatst heeft gezien.

- Houd kinderen uit de buurt van het te maaien gebied en onder toezicht van een verantwoordelijke volwassene die niet tevens de bediener is.
- Wees alert en schakel de grasmaaier uit als een kind in het gebied loopt.
- Wees uiterst voorzichtig als u in de buurt van blinde hoeken, deuren, struiken, bomen of andere objecten komt dat uw zicht belemmert, waardoor u een kind dat richting de grasmaaier rent niet kunt zien.
- Houd toezicht over kinderen zodat ze niet met de grasmaaier spelen.
- Schakel de grasmaaier altijd uit als u het accupack uit het apparaat verwijdert. Stop het mes (de messen) als het apparaat gekanteld wordt voor transport over andere oppervlakten dan gras en als u het apparaat van en naar het gazon brengt waar u wilt maaien.

GEBRUIK

ALGEMEEN GEBRUIK:

- Lees deze gebruikershandleiding aandachtig en in zijn geheel door voordat u probeert de machine te monteren. Lees, begrijp en volg alle instructies op de machine en in de handleidingen op voordat u het apparaat gebruikt. Wees volledig vertrouwd met de bedieningselementen en het juiste gebruik van het apparaat voordat u het in gebruik neemt. Bewaar deze handleiding voor latere en regelmatige raadpleging en voor het bestellen van reserve-onderdelen.
- Gebruik het gepaste toebehoor - Gebruik de grasmaaier alleen waarvoor hij is bedoeld.
- Reik niet te ver - Zorg er altijd voor dat u stevig en stabiel staat.
- Voorwerpen die door het mes van de grasmaaier worden geraakt kunnen zwaar persoonlijk letsel veroorzaken. Inspecteer het gazon altijd aandachtig en verwijder alle voorwerpen voordat u met maaien begint.
- Voor en tijdens het naar achteren bewegen, dient u naar achteren en beneden te kijken om te zien of er zich kinderen of andere mensen bevinden.
- Deze machine is geen speelgoed. Ga daarom altijd zeer voorzichtig te werk. Het apparaat is ontworpen met één gebruiksdoeleinde: het maaien van gras. Gebruik het voor geen enkel ander doeleinde.
- Forceer de grasmaaier niet – hij werkt beter en veiliger binnen het aangegeven capaciteitsbereik.
- Voordat u het apparaat gebruikt, dient u de messen, moeren van de messen en de opbouw van de messen op slijtage of beschadigingen te controleren. Vervang versleten en beschadigde messen en bouten en andere onderdelen gelijktijdig om het evenwicht te behouden. Vervang beschadigde of onleesbare labels.

- Wees zeer voorzichtig als u draait of het apparaat in uw richting trekt.
- Inspecteer grondig het gebied waar u het apparaat wilt gebruiken. Verwijder alle stenen, stokken, draden, speelgoed en andere vreemde voorwerpen waar u over kunt struikelen of die weggeslingerd kunnen worden door het mes. Weggeslingerde voorwerpen kunnen ernstig persoonlijk letsel veroorzaken. Plan uw maaibeeld om het verwijderen van materiaal in richting van wegen, paden en omstanders en dergelijke te voorkomen. Vermijd ook dat materiaal tegen muren of obstakels vliegen, wat ertoe kan leiden dat het materiaal wordt teruggekaatst richting de gebruiker.
- Om contact met of letsel door weggeslingerde voorwerpen te voorkomen, dient u in de gebruikszone achter de handvatten te blijven en dienen kinderen, omstanders, helpers en dieren minstens 30 meter uit de buurt te blijven als de grasmaaier in gebruik is. Stop het apparaat als iemand in het gebied komt.
- Draag altijd een veiligheidsbril of werkbril om tijdens het gebruik en als u instellingen of reparaties uitvoert uw ogen te beschermen. Weggegooide objecten die terugkaatsen kunnen ernstig letsel aan de ogen veroorzaken. Gebruik altijd een gezichts- of stofmasker wanneer u in een stoffige omgeving werkt.
- Draag gepaste kleding - Draag geen loshangende kleding of juwelen. Deze kunnen in de bewegende onderdelen vast komen te zitten. Rubber handschoenen en stevig schoeisel worden aanbevolen wanneer u buitenshuis werkt. Draag stevig schoeisel met ruwe zool en strak zittende broeken en shirts. Aanbevolen worden shirts en broeken die de armen en benen bedekken en schoenen met stalen neuzen. Gebruik dit apparaat nooit blootsvoets, met sandalen, met wegglijdende of lichtgewicht (bijv. canvas) schoenen.
- Houd uw handen en voeten uit de buurt van de draaiende onderdelen en de messen. Contact met de messen kan letsel aan handen en voeten veroorzaken.
- Een missende of beschadigde afdekking van de afvoer kan contact met de messen en hierdoor letsel door weggeslingerde voorwerpen veroorzaken.
- Veelvuldig letsel ontstaat als de grasmaaier wordt teruggetrokken en hierbij de voet raakt, als men valt ten gevolge van uitglijden of struikelen. Houd de grasmaaier niet vast als u valt; laat het handvat direct los.
- Trek de grasmaaier nooit terug als u wandelt. Als u de grasmaaier naar achteren moet bewegen, weg van een wand of obstructie, dient u eerst naar beneden en achterom te kijken om te voorkomen dat u ergens over struikelt en de volgende stappen in acht te nemen:
 - Ga met volledig gestrekte armen naar achteren.
 - Zorg er voor dat u stevig staat.
- Trek de grasmaaier langzaam terug, niet meer dan de helft in uw richting.
 - Herhaal deze stappen indien nodig.
- Gebruik de grasmaaier niet als u onder de invloed van alcohol of drugs bent.
- Gebruik het apparaat nooit met defecte schermen of beschermers, of zonder gemonteerd veiligheidsmechanisme, zoals deflectors en/of de opvangzak.
- Blijf aandachtig – let op wat u doet. Gebruik uw gezond verstand. Gebruik de grasmaaier niet als u moe bent.
- De motor/mes-bedienshandvat is een veiligheidsvoorziening. Probeer deze voorziening niet te overbruggen. Door dit te doen wordt de veiligheidsvoorziening onbruikbaar wat in persoonlijk letsel met het roterende mes kan leiden. De motor/mes-bedienshandvat moet makkelijk in beide richtingen bediend kunnen worden en automatisch in de uitgangspositie gaan als hij wordt losgelaten.
- Vermijd gevaarlijke omgevingen – Gebruik de grasmaaier niet in een vochtige of natte omgeving.
- Gebruik de machine niet als het regent.
- Let altijd op uw houding. Uitglijden en vallen kan ernstig persoonlijk letsel veroorzaken. Als u het gevoel heeft, uw evenwicht te verliezen, dient u de motor/mes-bedienshandvat direct los te laten, waarna het mes binnen drie seconden stopt met draaien.
- Stop het mes als u over grindpaden, stoepen of wegen loopt.
- Als het gereedschap abnormaal trilt, stop de motor en zoek onmiddellijk naar de oorzaak. Trilling wijst vaak op een storing.
 - Controleer op beschadigingen;
 - Vervang of repareer beschadigde onderdelen die door de gebruiker kunnen worden vervangen;
 - Controleer op losse onderdelen en draai deze vast.
- Gebruik de grasmaaier nooit zonder correct geïnstalleerd sleepscherf, afdekking, opvangzak, mulch-invoer, zijkoker, motor/mes-bedienshandvat of de gemonteerde en werkende veiligheidsvoorzieningen. Gebruik de grasmaaier nooit met beschadigde veiligheidsvoorzieningen. Anders kan dit leiden tot persoonlijk letsel.
- Als er zich situaties voordoen die niet in deze handleiding zijn behandeld, gebruik uw gezond verstand. Neem contact op met de klantenservice van EGO als u hulp nodig heeft.
- Gebruik het gereedschap alleen met onderstaand vermelde accupacks en opladers:

ACCUPACK	OPLADER
BA1120E, BA2240E, BA2800, BA3360, BA4200	CH5500E, CH2100E

- Haal het accupack uit het apparaat alvorens het apparaat af te danken.
- Gooi het accupack op een veilige manier weg.

GEBRUIK OP EEN HELLING:

Hellingen zijn een belangrijke factor bij ongevallen waarbij men uitglijdt en valt. Deze kunnen in ernstig letsel resulteren. Let op uw houding als u het apparaat op hellingen gebruikt. U dient extra alert te zijn als u het apparaat op een helling gebruikt. Maai niet op een helling, als u zich niet op uw gemak voelt.

Maai:

- De hellingen zijdelings; nooit naar boven en beneden. Wees erg voorzichtig als u van richting verandert op een helling.
- Let op gaten, sporen, stenen, verborgen voorwerpen, of bobbels die ertoe kunnen leiden dat u uitglijdt of struikelt. In hoog gras kunnen zich obstakels verbergen.

Maai niet:

- In de buurt van afgronden, sloten of dijken; u kunt uw evenwicht verliezen en vallen.
- Maai geen hellingen van meer dan 15 graden.
- Als het gras nat is. Als een onstabiele stand ertoe kan leiden dat u uitglijdt.

SERVICE

⚠ WAARSCHUWING: Componenten van de opvangzak, afdekking, zijkoker, mulch-invoer en sleepscherf zijn onderhevig aan slijtage en beschadigingen, waardoor bewegende delen vrij toegankelijke kunnen worden en waardoor voorwerpen weggeslingerd kunnen worden waardoor het risico op letsel toeneemt. Uit veiligheidsoverwegingen dient u regelmatig alle onderdelen te controleren en beschadigde onderdelen direct door identieke onderdelen, die in deze handleiding worden genoemd, te vervangen. Neem contact op met de klantenservice van EGO of uw dichtstbijzijnde EGO service center. Laat reparaties of vervangingen door een gekwalificeerde servicemonteur uitvoeren!

- Als de ingebouwde overbelastingsbeveiliging regelmatig wordt geactiveerd, dient u contact op te nemen met de klantenservice van EGO of uw dichtstbijzijnde EGO service center.
- Reinig de grasmaaier niet met een tuinslang. Zorg dat de motor of elektrische componenten niet met water in aanraking komen.

- Verwijder de sleutel en berg de uitgeschakelde grasmaaier binnenshuis als hij niet wordt gebruikt. Laat de motor afkoelen alvorens hem in een gesloten ruimte op te bergen. De grasmaaier dient te worden opgeslagen in een droge, hoge of gesloten ruimte, buiten het bereik van kinderen.
- Gebruik tijdens onderhoud alleen identieke reserveonderdelen die in deze handleiding zijn vermeld. Het gebruik van onderdelen die niet aan de specificaties van de originele uitrusting voldoen kunnen verkeerde prestaties leveren en de veiligheid in gevaar brengen.
- Verwijder of ontkoppel de accu voor onderhoud, reiniging of verwijdering van vastzittend materiaal uit de grasmaaier.
- Volg de instructies over smering en het vervangen van accessoires.
- Houd de handvatten droog, schoon en vrij van olie en smeervet.
- Om brandgevaar te minimaliseren dient u de afdekking vrij van gras, bladeren en vuilophoppingen te houden.
- Controleer regelmatig of het zaagblad en de motormontagebouten stevig zijn vastgedraaid. Inspecteer de messen tevens regelmatig op schade (bijv. buigen, barsten of slijtage). Vervang de messen alleen door een origineel reserve-onderdeel, dat in de handleiding wordt genoemd.
- Ga zorgvuldig om met uw grasmaaier – houd de messen scherp en schoon voor het beste en veiligste gebruik. De messen van de grasmaaier zijn scherp en kunnen snijden. Pak de messen in of draag handschoenen en ga zeer voorzichtig te werk wanneer u het onderhoudt.
- Verwijder of pas de veiligheidsvoorzieningen nooit aan. Controleer regelmatig of het gereedschap juist werkt. Doe nooit iets dat de juiste werking van de veiligheidsvoorziening kan hinderen of dat de bescherming die de veiligheidsvoorziening biedt beperkt.
- Breng de motor altijd tot stilstand voordat u aanpassingen aan het wiel of de maaihoogte maakt.
- Nadat u een vreemd voorwerp heeft geraakt, dient u de motor te stoppen, de sleutel te verwijderen, en de grasmaaier grondig op beschadigingen te inspecteren. Repareer de schade voordat u de grasmaaier weer in gebruik neemt.
- Onderhoud of vervang de veiligheids- en instructielabels indien dit nodig mocht zijn. Neem contact op met de klantenservice van EGO of uw dichtstbijzijnde EGO service center. Laat reparaties of vervangingen door een gekwalificeerde servicemonteur uitvoeren!

- **BEWAAR DEZE HANDLEIDING.** Raadpleeg de gebruikershandleiding indien nodig en gebruik deze om andere personen die dit apparaat zullen gebruiken te onderrichten. Al u dit gereedschap aan iemand anders geeft, doe dan tevens deze gebruikershandleiding erbij om verkeerd gebruik en mogelijk letsel te voorkomen.

ACCU GEBRUIKEN EN ONDERHOUDEN

- Om de natuurlijke hulpbronnen te ontzien, dient u de accu's te recyclen of op correcte wijze te verwijderen. Dit product bevat lithium-ion accu's. Lokale of nationale wetten verbieden de verwijdering van lithium-ion accu's via het normale huisafval. Raadpleeg uw lokale overheid voor informatie over de mogelijkheid tot recycling en/of verwijdering.
- Na verwijdering van het accupack voor afdanking of recycling, dient u de aansluitklemmen van het accupack af te dekken met hoogwaardig plakband. Probeer niet om het accupack te vernietigen of uit elkaar te halen, of om componenten te verwijderen. Lithium-ion accu's moeten worden gerecycled of correct verwijderd. Raak de polen nooit met metalen voorwerpen en/of lichaamsdelen aan aangezien dit tot kortsluiting kan leiden. Buiten het bereik van kinderen houden. Het negeren van deze waarschuwingen kan leiden tot brand en/of ernstig letsel.
- **BIJ VERKEERD GEBRUIK KAN ER VLOEISTOF UIT DE ACCU WORDEN GESPOTEN; VERMIJD ELK CONTACT. ALS AANRAKING MET DE VLOEISTOF TOEVALLIG PLAATSVINDT, DIENT U HET MET WATER AF TE SPOELEN. ALS DE VLOEISTOF IN DE OGEN KOMT DIENT U ONMIDDELIJK EEN ARTS TE CONSULTEREN.** Vloeistof dat uit de accu wordt gespoten kan irritaties of brandwonden veroorzaken.

SPECIFICATIES

Modelnummer	LM2010E	LM2010E-SP
Zelfaangedreven systeem	No	Ja
Spanning	56 V	56 V
Snelheid zonder belasting	3150 /min	3150 /min
Maaihoogte	25-95 mm	25-95 mm
Maaihoogte standen	6	6
Afmetingen afdekking	51 cm	51 cm
Snijbreedte	50 cm	50 cm
Inhoud van de opvangzak	60 L	60 L
Gewicht van de grasmaaier (zonder accupack)	25,1 kg	28,1 kg
Messenmodel	AB2001	AB2001

Gemeten geluidsvermogensniveau L_{WA}	94 dB(A)	94,32 dB(A)	
Geluidsdruk niveau aan het oor van de bediener L_{PA} K=2,5 dB(A)	82,5 dB(A)	85,6 dB(A)	
Gewaarborgd geluidsvermogensniveau L_{WA} (volgens 2000/14/EG)	96 dB(A)	96 dB(A)	
Vibratie a_{hv} , K=1,5, m/s ²	Linker handvat	3,65 m/s ²	1,08 m/s ²
	Rechter handvat	1,64 m/s ²	0,88 m/s ²
Messenrem	Ja	Ja	

- De opgegeven totale vibratiewaarde is gemeten volgens de standaard testmethode en kan worden gebruikt om het apparaat met een ander apparaat te vergelijken;
- De opgegeven totale vibratiewaarde kan ook worden gebruikt in een voorafgaande beoordeling op blootstelling.

NL

MEDEDELING: De vibratie-afgifte tijdens het werkelijk gebruik van het elektrisch gereedschap kan verschillen van de opgegeven totale waarde; Om de bediener te beschermen dient de gebruiker tijdens het gebruik handschoenen en gehoorbescherming te dragen.

INHOUD VAN DE VERPAKKING

NAAM ONDERDEEL	AANTAL
Grasmaaier	1
Opvangzak	1
Frame van de opvangzak	1
Mulch-invoer	1
Zijkoker	1
Veiligheidssleutel	2
Gebruikershandleiding	1

BESCHRIJVING

KEN UW GRASMAAIER (afb. A & B & C & D & E)

1. Schakelaar voor de zelfaandrijving
2. Handgreep
3. Veiligheidsschakelaar (schakelhendel)

4. Schakelaar
5. Opvangzak
6. Knop voor de snelle instelling
7. Hendel voor het instellen van de maaihoogte
8. Achterwiel
9. Zijkoker
10. Zijkoker
11. Grasmaaierafdekking
12. LED werklampen
13. Voorwiel
14. Afdekking accupack
15. Achterste handvat
16. Achterklep
17. Bedienhendel voor de snelheid van het zelfaangedreven systeem
18. Sleepscherm
19. Veiligheidsleutel sleuf
20. Accuvrijgaveknop
21. Schakelaar voor LED werklampen
22. Indicatielampje op de grasmaaier
23. Mulch-invoer
24. Zijkoker

NL

BEDIENING

MONTAGE VAN DE OPVANGZAK

- 1) Schuif de opvangzak op het frame (afb. F).
- 2) Bevestig de bovenste clips aan het frame (afb. G) en bevestig vervolgens de twee zijdelingse clips. Bevestig als laatste de onderste clip.
- 3) De compleet gemonteerde opvangzak wordt weergegeven in afb. D.

AANPASSEN VAN HET INKLAPBARE HANDVAT

WAARSCHUWING: Probeer de grasmaaier niet te starten totdat het handvat in één van de vooraf ingestelde bedienstanden wordt vergrendeld (BOVENSTE BEDIENINGSPOSITIE, MIDDELSTE BEDIENINGSPOSITIE en ONDERSTE BEDIENINGSPOSITIE).

Uw grasmaaier wordt verstuurd met het handvat in de compacte, VERGRENDDELDE OPSLAGPOSITIE (afb. I).

- 1) Trek de twee knoppen voor de snelle instelling uit en draai 90° om het handvat los te maken uit de VERGRENDDELDE OPSLAGPOSITIE

- 2) Til het handvat op. Draai het handvat voorzichtig naar achteren totdat het één van de drie posities zoals getoond in afb. J bereikt. Draai de knoppen 90° totdat u hoort en voelt hoe de pin vast klikt in de juiste positie.

Afb. J beschrijving van de onderdelen zie beneden:

J-1	Bovenste bedieningspositie
J-2	Middelste bedieningspositie
J-3	Onderste bedieningspositie
J-4	Vergrendelde opslagpositie

OPMERKING: De twee knoppen voor de snelle instelling moeten op dezelfde hoogte zijn tijdens het instellen zodat ze tegelijkertijd in een positie kunnen springen.

BEVESTIGEN/VERWIJDEREN VAN DE OPVANGZAK/MULCH-INVOER

WAARSCHUWING: Voer op geen enkel moment aanpassingen uit aan de grasmaaier zolang de motor niet is uitgeschakeld, de veiligheidsleutel is verwijderd en het blad is gestopt met draaien.

OPMERKING: Bevestig één van de toebehoren aan de grasmaaier alvorens te maaien.

- Bevestigen/verwijderen van de opvangzak (afb. K)
Stel het handvat op een geschikte bedienpositie in. Til de achterklep omhoog en haak de gaszak in op de draaistang. Til de opvangzak op, van de draaistang, om hem te verwijderen. Tenslotte maakt u de achterklep weer los.
- OPMERKING:** Verwijder de reeds geïnstalleerde mulch-inzet uit de grasmaaier voordat u de gaszak bevestigd aan de grasmaaier.
- Bevestigen/verwijderen van de mulch-invoer (afb. L)
Til de achterklep omhoog en plaats de mulch-invoer in de grasmaaier. Om te verwijderen trekt u hem eruit. Tenslotte maakt u de achterklep weer los.
- Om de zijkoker te bevestigen/verwijderen (afb. M)
Til de zijklep omhoog. Breng de sleuf van de zijkoker in overeenstemming met de knop van de zijklep en laat de zijkoker langzaam los zodat hij om de draaistang beweegt totdat hij stevig op de zijkoker blijft zitten. Om hem te verwijderen, tilt u de zijklep omhoog, tilt u de zijkoker op, van de montageknop van de deur.
Afb. M beschrijving van de onderdelen zie beneden:

M-1	Zijklep
M-2	Montageknop
M-3	Montagesleuf
M-4	Zijkoker

AANPASSEN VAN DE MAAIHOOGTE (afb. N)

WAARSCHUWING: Houd uw voeten uit de buurt van de messen terwijl u de hoogte instelt. De grasmaaier kan in 6 verschillende hoogtes tussen 20mm en 90mm worden ingesteld. Kies de juiste maaihoogte aan de hand van het soort gras en de toestand ervan.

OPMERKING: Als u het gereedschap beweegt, dient u ervoor te zorgen dat de maaihoogte op 3 of hoger is ingesteld. Mocht u dit niet doen, kan dit resulteren in beschadiging van de messen.

HET ACCUPACK INSTALLEREN/VERWIJDEREN (afb. O)

VOOR DE EERSTE INGEBRUIKNAME OPLADEN.

WAARSCHUWING: Als er onderdelen ontbreken of defect zijn, mag u niet proberen het accupack aan de grasmaaier te bevestigen of de grasmaaier in gebruik te nemen totdat de defecte of ontbrekende onderdelen zijn vervangen. Anders kan dit leiden tot ernstig letsel.

- **Bevestigen**
Druk het accupack in het accupackvak totdat u een “klik” hoort.
- **Verwijderen**
Druk op de ontgrendelingsknop in het accupackvak.
Afb. O beschrijving van de onderdelen zie beneden:

0-1	Veiligheidsleutel sleuf
0-2	Veiligheidsleutel
0-3	Accuvrijgaveknop

opmerking: Zorg dat de vergrendeling op de grasmaaier op zijn plaats klikt en het accupack stevig aan het grasmaaier is vastgemaakt voordat u begint te maaien.

STARTEN/STOPPEN VAN DE GRASMAAIER

WAARSCHUWING: De werking van elke grasmaaier kan leiden tot het rondslingeren van vreemde objecten die in uw of andermans ogen kunnen terechtkomen. Dit kan leiden tot ernstig oogletsel. Draag altijd een veiligheidsbril tijdens het bedienen van de grasmaaier of tijdens het uitvoeren van eventuele aanpassingen of reparaties.

WAARSCHUWING: Zorg dat andere personen en huisdieren zich op minstens 30 meter van de grasmaaier bevinden wanneer u hem gebruikt.

WAARSCHUWING: Het mes roteert nog enkele seconden nadat de grasmaaier is uitgeschakeld. Laat de motor/het mes eerst tot rust komen voordat u hem weer start. Start en stop de grasmaaier niet te vaak vlak achter elkaar.

VEILIGHEIDSSLEUTEL

Om het per ongeluk starten of het ongeautoriseerd gebruik van uw accu grasmaaier te voorkomen, behoort een verwijderbare veiligheidsleutel tot de omvang van uw grasmaaier. De grasmaaier is compleet uitgeschakeld als de veiligheidsleutel wordt verwijderd uit de grasmaaier.

GEVAAR: Draaiende messen kunnen ernstig letsel veroorzaken. Om ernstig letsel te voorkomen dient u de veiligheidsleutel uit de grasmaaier te verwijderen als deze onbeheerd is. Dit geldt ook als u de grasmaaier instelt, reinigt, onderhoudt, transporteert, optilt of opbergt.

Starten (afb. Q)

- 1) Bevestig het accupack aan de grasmaaier, steek de veiligheidsleutel in de sleutelsleuf en sluit het batterijvakdeksel (afb. O).
- 2) Zoals weergegeven op afb. P drukt u de veiligheidsknop naar beneden.
- 3) Met de veiligheidsknop gedrukt, trekt u de veiligheidsschakelaar naar boven richting het handvat en laat u de veiligheidsknop los.

Stoppen (afb. R)

- 1) Laat de veiligheidsschakelaar los.
- 2) De elektrische rem in de automatische remmechanisme zal de mesrotatie binnen 3 seconden nadat de veiligheidsschakelaar werd losgelaten stoppen.

VARIABLE SNELHEID VOOR HET ZELFAANGEDREVEN SYSTEEM

LM2010E-SP grasmaaier is voorzien van een zelfaangedreven systeem met variabele snelheid. Het systeem is onafhankelijk van de aan/uit-schakelaar van het mes; het is niet afhankelijk van rotatie van het mes.

Om het systeem zonder rotatie van het mes te gebruiken, trekt u de schakelaar voor het zelfaangedreven systeem naar het handvat.

Om het zelfaangedreven systeem uit te schakelen, laat u de schakelaar voor het zelfaangedreven systeem los.

Het systeem heeft een variabele snelheid. Om de snelheid te verhogen, beweegt u de bedienhendel voor het zelfaangedreven systeem naar voren. Om de snelheid te verlagen, beweegt u de bedienhendel voor het zelfaangedreven systeem naar achteren (afb. S).

NL

Gebieden met het roterende mes voor het maaien:

1. Start de grasmaaier.
2. Terwijl u de veiligheidsschakelaar tegen het handvat drukt met de linkerhand, trekt u de schakelaar voor het zelfaangedreven systeem naar het handvat met uw rechterhand.
3. Houd zowel de veiligheidsschakelaar en de schakelaar voor de zelfaangedreven systeem tegelijkertijd tegen het handvat met uw rechterhand en gebruik uw linkerhand om de snelheid van het zelfaangedreven systeem op de gewenste snelheid in te stellen.

⚠ WAARSCHUWING: Om het risico op letsel te reduceren, mag u nooit proberen de werking van de schakelaar of het zelfaangedreven systeem te overbruggen. Gebruik het zelfaangedreven systeem alleen voor het beoogde gebruikdoeleinde.

NL

LED WERKLAMPEN OP DE GRASMAAIER (afb A-12)

Druk de schakelaar (afb. D-21) aan de voorkant van het accuvak om de LED-werklampen aan-/uit te schakelen.

INDICATIELAMPJE OP DE GRASMAAIER (afb. D-22)

De grasmaaier is voorzien van een indicatielampje dat de laadtoestand van het accupack en de werkstatus van de grasmaaier aangeeft. De stroomindicator begint te branden zodra de messen roteren of als de LED werklampen zijn ingeschakeld.

Indicatielampje op de grasmaaier	Betekenis	Actie
Groen brandend	De grasmaaier werkt correct; accu heeft tenminste nog 15% van zijn lading	N.v.t.
Rood brandend	Accustand is laag	Stop de grasmaaier en laad het accupack op
Rood knipperend	De accu is bijna leeg	Stop de grasmaaier en laad het accupack op
Oranje brandend	De grasmaaier of het accupack is oververhit	Verwijder de accu uit de grasmaaier, zet hem in de schaduw en laat hem tenminste 15 minuten lang afkoelen

Oranje knipperend	De grasmaaier is overbelast	Beweeg u langzamer of verhoog de hoogte om de belasting te verlagen
-------------------	-----------------------------	---

OVERBELASTINGSBEVEILIGING VAN DE GRASMAAIER

Om overbelasting te voorkomen, dient u niet te veel gras in één keer te maaien. Loop langzamer of verhoog de maaihoogte.

Uw grasmaaier heeft een ingebouwde overbelastingsbeveiliging. Als de grasmaaier overbelast is, gaat de motor uit en knippert het indicatielampje van de grasmaaier oranje. Haal het accupack uit de grasmaaier. Controleer of zich gras onder de grasmaaier heeft verzameld. Het kan nodig zijn, het te verwijderen en de accu weer te plaatsen en vervolgens de grasmaaier weer te starten.

ACCUBEVEILIGING TEGEN HOGE TEMPERATUREN

Het accupack produceert warmte tijdens het gebruik. De warmte verdwijnt langzamer bij warm weer. Als de accutemperatuur boven 70°C stijgt, zal de beveiliging de grasmaaier direct uitschakelen om het accupack te beschermen tegen schade. De stroomindicator op de grasmaaier zal oranje branden. Laat de veiligheidsschakelaar los, wacht totdat het accupack afkoelt op ongeveer 67°C, waarna u de grasmaaier opnieuw kunt starten.

ONDERHOUD

⚠ WAARSCHUWING: Om ernstig persoonlijk letsel te voorkomen, dient u altijd de veiligheidsleutel en het accupack uit de grasmaaier te halen voor reiniging of onderhoud.

⚠ WAARSCHUWING: Bij reparatie, gebruik uitsluitend identieke reserve-onderdelen. Het gebruik van andere onderdelen kan gevaar opleveren of schade aan het product veroorzaken. Om een continue veiligheid en betrouwbaarheid te waarborgen, dienen alle reparaties en vervangingen van onderdelen uitgevoerd te worden door een vakbekwame reparateur.

DE GRASMAAIER SCHOONMAKEN

⚠ WAARSCHUWING: Verwijder altijd de veiligheidsleutel en het accupack tijdens onderhoud of transport van de grasmaaier.

De onderkant van de afdekking van de grasmaaier dient na elk gebruik te worden gereinigd aangezien gras, bladeren, verontreinigingen of andere rommel zich hier ophoopt. Deze ophoping is ongewenst aangezien het roest en corrosie van metalen onderdelen en een verslechtering van het maieresultaat veroorzaakt.

Verwijder eventuele ophoping van gras en bladeren rond de aandrijfjas (alleen LM2010E-SP) en de motorventilator (gebruik geen water). Maak de grasmaaier schoon met een vochtige doek.

VERWIJDEREN/INSTALLEREN VAN HET MES

⚠ WAARSCHUWING: Bescherm altijd uw handen door handschoenen te dragen of door de snijvlakken met doeken of andere materialen in te wikkelen voordat u onderhoud aan de messen van de grasmaaier uitvoert.

- Het mes verwijderen (afb. V).

OPMERKING: Als de bout met de motoras meedraait terwijl u hem los wilt draaien, draait u de ventilator met de hand naar de positie waar de gaten van de ventilator en het mes overeen komen en plaatst u een metalen stang in de uitglijnde gaten

■ Het mes installeren

Volg voor de montage de volgorde in afb. U, met het ventilatorblad naar de afdekking en het mes richting de buitenkant, lijn de gaten van de ventilator uit met de gaten van het mes (afb. W) en maak vervolgens het mes vast zoals getoond in afb. X.

Afb. U & V beschrijving van de onderdelen zie beneden:

U-1	Ventilator	U-5	Bout
U-2	Binnenflens	V-1	Stabilisator 1
U-3	Buitenflens	V-2	Stabilisator 2
U-4	Mes	V-3	14mm inbussleutel

OPMERKING: Het aanbevolen moment voor het aanhalen van de bout van het mes is 49-59Nm.

DE GRASMAAIER OPBERGEN

- Verwijder het accupack uit de grasmaaier en bewaar het op een koele, droge en schone plek. Bewaar hem niet naast corrosieve stoffen, zoals kunstmest of zout.
- Smeer de grasmaaier.
- Bewaar de grasmaaier op een afgedekte, gesloten plek, waar het koel en droog is en die zich buiten het bereik van kinderen bevindt.
- Dek de grasmaaier niet af met een stevig plastic zeil. Plastic afdekkingen laten vocht rondom de grasmaaier niet ontsnappen, waardoor roest en corrosie kunnen ontstaan.

- De grasmaaier kan rechtop staand of plat worden opgeborgen (afb. Y).

⚠ WAARSCHUWING: Als de grasmaaier begint te kantelen vanuit de rechtopstaande positie, kan dit leiden tot schade of persoonlijk letsel. Houd de grasmaaier altijd stabiel en buiten het bereik van kinderen als deze rechtop staat. Indien mogelijk dient u hem neer te leggen tijdens het opbergen.



Het milieu beschermen



Gooi geen elektrische apparaten, acculaders en accu's/oplaadbare batterijen met het huisafval weg!

Elektrische en elektronische apparaten, in overeenstemming met de Europese wet 2012/19/EG, en defecte of verbruikte accupacks/batterijen, in overeenstemming met 2006/66/EG, moeten afzonderlijk worden ingezameld.

Als elektrische apparaten op een stortterrein of vuilnisbelt terecht komen, kunnen gevaarlijke stoffen in het grondwater lekken en in de voedselketen komen wat schadelijk is voor uw gezondheid en welzijn.

NL

EG CONFORMITEITSVERKLARING



Wij, CHERVON EUROPE LTD.

47 CASTLE STREET, READING, RG1 7SR, UNITED KINGDOM

Verklaren dat het product **56V lithium-ion accu grasmaaier LM2010E/LM2010E-SP** voldoet aan de essentiële gezondheids- en veiligheidsvoorschriften van de volgende richtlijnen:

2006/42/EG, 2004/108/EG, 2011/65/EG, 2000/14/EG

Standaarden en technische specificaties waaraan wordt gerefereerd:

EN 60335-1, EN 60335-2-77, EN 62233, EN 55014-1, EN 55014-2

	LM2100E	LM2100E-SP
Gemeten geluidsvermogensniveau:	94 dB(A)	94,32 dB(A)
Gewaarborgd geluidsvermogensniveau:	96 dB(A)	96 dB(A)

Peter Melrose
Vice president van Chervon Europe
Chervon

Dong Jianxun
Kwaliteitsmanager van
Chervon

* (Geautoriseerde vertegenwoordiger voor CHERVON en verantwoordelijk voor de technische documentatie)

01/01/2016

PROBLEEMOPLOSSING

WAARSCHUWING: Verwijder altijd de veiligheidssleutel en het accupack tijdens onderhoud of transport van de grasmaaier. Bescherm altijd uw handen door handschoenen te dragen of door de snijvlakken met doeken of andere materialen in te wikkelen voordat u onderhoud aan de messen van de grasmaaier uitvoert.

PROBLEEM	OORZAAK	OPLOSSING
De grasmaaier start niet	<ul style="list-style-type: none"> ■ Het accupack is uitgeput. ■ Het accupack is niet op zijn plek in het batterijvak gemonteerd. ■ De accu is niet op de grasmaaier aangesloten. ■ De accu of de grasmaaier is te warm. (De stroomindicator op de grasmaaier brandt gedurende 10 seconden oranje) ■ De zijgeleiders zijn niet uitgetrokken tot de maximale lengte en de klemmen zijn niet vergrendeld. ■ Het handvat bevindt zich niet in één van de beide bedieningsposities. 	<ul style="list-style-type: none"> ■ Laad het accupack op. ■ Bevestig het accupack aan de grasmaaier totdat u een klik hoort. ■ Laat het accupack of de grasmaaier afkoelen totdat de temperatuur lager dan 67°C is. ■ Trek het handvat volledig uit en vergrendel beide klemmen. ■ Stel het handvat in één van beide bedieningsposities in. ■ Reinig de afdekking van de grasmaaier en controleer of het mes vrij kan bewegen.
De grasmaaier maait ongelijk	<ul style="list-style-type: none"> ■ Het mes is bot. ■ De maaihoogte is niet goed ingesteld. ■ Het mes is niet goed gemonteerd. 	<ul style="list-style-type: none"> ■ Slijp of vervang het mes. ■ Stel een hogere maaihoogte in. ■ Monteer het mes weer. Volg hierbij de instructies in de paragraaf "INSTALLATIE VAN HET MES" in deze gebruikershandleiding.
De grasmaaier stopt tijdens het maaien	<ul style="list-style-type: none"> ■ Het accupack is uitgeput. ■ De grasmaaier is overbelast. ■ De afdekking van de grasmaaier is verstopt door gras en vuil. ■ De accu of de grasmaaier is te warm. (De stroomindicator op de grasmaaier brandt gedurende 10 seconden oranje.) ■ De zijgeleider is een beetje ingetrokken door de kracht die op het handvat wordt uitgeoefend. 	<ul style="list-style-type: none"> ■ Laad het accupack op. ■ Verhoog de maaihoogte of maai langzamer. ■ Reinig de afdekking van de grasmaaier. Verhoog de maaihoogte of maai in smalle banen. ■ Laat het accupack of de grasmaaier afkoelen totdat de temperatuur lager dan 67°C is. ■ Maak de klemmen los. Trek de zijgeleiders helemaal uit en vergrendel de klemmen weer.
De maaier verspreidt het gras niet goed	<ul style="list-style-type: none"> ■ Nat gemaaid gras blijft aan de onderkant van de afdekking plakken. ■ De grasmaaier is zo ingesteld dat hij te veel gras in een keer moet maaien. 	<ul style="list-style-type: none"> ■ Wacht totdat het gras droog is voordat u het maait. ■ Stel een hogere maaihoogte in.



PROBLEEM	OORZAAK	OPLOSSING
Er is sprake van excessieve trillingen	<ul style="list-style-type: none">■ Het mes zit los.■ Het mes is niet in balans.■ Het snijmes is gebogen.■ De motoras is verbogen.	<ul style="list-style-type: none">■ Draai de bouten van het mes vast.■ Balanceer het mes volgens de instructies uit.■ Vervang het mes.■ Neem contact op met het service center.
De vergrendelingsklemmen van het handvat zijn niet in hun positie vergrendeld.	<ul style="list-style-type: none">■ De zijgeleiding is niet volledig uitgetrokken.	<ul style="list-style-type: none">■ Trek de zijgeleiders helemaal uit en vergrendel de klemmen weer.

NL

GARANTIE

EGO GARANTIEBELEID

Bezoek alstublieft de website egopowerplus.com voor de volledige voorwaarden van het EGO garantiebeleid.

LÆS ALLE INSTRUKTIONERNE!



LÆS & FORSTÅ BRUGSANVISNING

⚠ Risiko! Personer, der bruger elektronisk udstyr, såsom pacemakere, skal konsultere deres læge, inden de tager dette produkt i brug. Brug af elektrisk udstyr i nærheden af en pacemaker, kan forstyrre pacemakeren eller gøre at den holder op med at virke.

⚠ ADVARSEL: Af hensyn til sikkerhed og pålidelig drift, skal alle reparationer og udskiftninger udføres af en kvalificeret servicetekniker.

Anvendelsesformål og forudseelig misbrug:

Produktet er kun beregnet til at slå græs i almindelige haver. Den må ikke bruges til at klippe usædvanligt højt, tørt eller vådt græs, som fx græsgange, eller til at skære blade i stykker. Produktet må kun bruges til dets tilsigtede formål. Al anden brug anses for at være misbrug.

SIKKERHEDSSYMBOLER

Formålet med sikkerhedssymbolerne er at tiltrække brugeren opmærksomhed på mulige farer. Sikkerhedssymbolerne og de medfølgende forklaringer skal læses og forstås. Symboladvarselne kan ikke alene fjerne nogen fare. Instruktionserne og advarselne er ingen erstatning for ordentlige sikkerhedsforanstaltninger.

⚠ ADVARSEL: Sørg for at læse og forstå alle sikkerhedsinstruktionerne i denne brugervejledning, herunder alle advarselssymbolerne, såsom "**FARE**", "**ADVARSEL**" og "**FORSIGTIG**" inden apparatet tages i brug. Hvis instruktionerne nedenfor ikke følges, kan det føre til elektrisk stød, brand og/eller alvorlig personskade.

BETYDNING AF SYMBOLET

ADVARSELSSYMBOL: Står for **FARE**, **ADVARSEL**, eller **FORSIGTIG**. Kan bruges sammen med andre symboler eller billeder.

⚠ ADVARSEL: Når kraftige værktøjer bruges, er der altid en risiko for at genstande slynges ind i øjnene, som kan føre til alvorlige øjenskader. Inden værktøjet tages i brug, skal brugeren altid bære beskyttelsesbriller eller beskyttelsesbriller med sideskærm, eller en fuld ansigtsskærm, hvis nødvendigt. Vi anbefaler at brugeren bære en fuld ansigtsskærm over briller eller beskyttelsesbriller med sideskærm.

SIKKERHEDSINSTRUKTIONER

Denne side viser og beskriver sikkerhedssymbolerne, som kan være på dette produkt. Læs, forstå og følg alle instruktioner på maskinen, inden den samles og bruges.

	Sikkerhedsadvarsel	Forholdsregler, der involverer din sikkerhed.
	Brug øjenbeskyttelse	Sørg altid for at bære beskyttelsesbriller eller sikkerhedsbriller med sideskærm, og en fuld ansigtsskærm, når dette produkt bruges.
	ADVARSEL: Læs brugervejledningen	For at reducere risikoen for skade, skal brugeren læse og forstå brugervejledningen, inden dette produkt tages i brug.
	Pas på den skarpe klinge.	Klingen drejer fortsat rundt, når motoren slukkes – den afbrydende enhed skal afbrydes, inden nogen form for vedligeholdelsesarbejde udføres. Sluk apparatet og tag batteripakken ud (eller den afbrydende enhed), inden apparatet justeres eller rengøres.
	Hold andre personer væk fra maskinen	Sørg for at andre personer og kæledyr er mindst 30 meter væk fra maskinen, når den er i brug.
	Klasse II konstruktion	Dobbelt-isoleret konstruktion.
IPX4	IP-symbol	Beskyttelse mod indtrængning af vand grad 4
V	Volt	Spænding
A	Ampere	Strøm
Hz	Hz	Frekvens (cyklusser i sekundet)
W	Watt	Strømledende
min	Minutter	Tid
	Vekselstrøm	Strømart
	Jævnstrøm	Strømart eller strømegenskab
n_0	Hastighed uden belastning	Drejehastighed uden belastning
... /min	i minuttet	Omdrejninger i minutter

DK

SIKKERHEDSREGLER FOR DEN LEDNINGSFRI PLÆNEKLIPPER

FARE: Denne maskine er fremstillet i henhold til reglerne for sikker drift, som står i denne vejledning. Som med alle kraftige maskiner, kan skødesløshed eller fejlbetjening af brugeren føre til alvorlige skader. Denne maskine kan skade hænder og fødder, og udstøede genstande. Manglende overholdelse af samtlige sikkerhedsinstrukser, kan føre til alvorlige skader eller dødsfald.

ADVARSEL: Når du bruger trådløse plæneklippere, skal de grundlæggende sikkerhedsforanstaltninger altid følges, så risikoen for brand, elektrisk stød og personskader reduceres.

VIGTIGT

SKAL LÆSES GRUNDIGT FØR BRUG. BEHOLD DISSE OPLYSNINGER TIL SENERE REFERENCE.

SIKKERHEDSREGLER FOR TRÅDLØSE PLÆNEKLIPPERE:

ADVARSEL-UNDGÅ, AT RØRE VED DE DREJENDE KLINGER!

OPLÆRING

- Læs instruktionerne omhyggeligt. Gør dig bekendt med betjeningsknapperne, og hvordan apparatet bruges korrekt.
- Børn eller personer, der ikke er bekendt med disse instruktioner, må aldrig bruge dette apparat. Den lokale lovgivning kan muligvis begrænse, hvor gammel brugeren må være.
- Plæneklipperen må ikke bruges, hvis der er børn eller kæledyr i nærheden.
- Brugeren af apparatet er ansvarlig for evt. ulykker eller farer, som andre personer eller deres ejendom udsættes for.

FORBEREDELSE

- Når plæneklipperen bruges, skal brugeren altid bære passende fodtøj og langbukser.
- Apparatet må ikke bruges med bare fødder eller med åbne sandaler på. Undgå at bære løstsiddende tøj, eller tøj med hængende snore eller bånd.
- Undersøg området, hvor græsset skal slås, og fjern evt. sten, pinde, ledninger, knogler og andre fremmedlegemer.
- Inden apparatet tages i brug, skal klingene, klingeboltene og klingsamlingen ses efter for slidt og skader. Nedslidte eller beskadigede klinger og bolte skal skiftes på samme tid, så balancen opretholdes. Beskadigede eller ulæselige etiketter skal skiftes.

BETJENING

- Plæneklipperen må kun bruges i dagslys eller i stærk kunstigt lys.
- Undgå, at bruge plæneklipperen på vådt græs, hvis muligt.
- Sørg for, at du har et ordentligt fodfæste på skråninger.
- Gå, undgå at løbe.
- Hvis du bruger en plæneklipper med hjul på skråninger, skal du køre langs skråningen, og ikke op og ned ad skråningen.
- Vær forsigtig, når du vender plæneklipperen om på en skråning.
- Undgå, at klippe græs på meget stejle skråninger.
- Vær meget forsigtig, hvis du kører baglæns eller trækker apparatet mod dig.
- Stop plæneklipperen, hvis den skal vippes for at køre over andre overflader end græs, og når den flyttes til og fra området, der skal klippes.
- Plæneklipperen må aldrig bruges uden at beskyttelseskærmene eller sikkerhedsudstyret, som fx afbøjningsplader og/eller græsfangere, er sat på apparatet.
- Tænd for motoren i henhold til instruktionerne, og med fødderne væk fra klingene.
- Apparatet må ikke vippes, når motoren tændes, medmindre apparatet skal vippes for at kunne starte. I dette tilfælde må apparatet ikke vippes mere end absolut nødvendigt, og løft kun den del, der er væk fra brugeren. Sørg altid for at have begge hænder klar til at styre apparatet, inden apparatet sættes på jorden.
- Undgå, at starte apparatet, hvis du står foran udstødningen.
- Dine hænder eller fødder må ikke komme i nærheden af eller under drejende dele. På plæneklippere med klinger, skal du altid holde dig væk fra udstødningen.
- Undgå altid, at samle en genstand op eller bære en genstand, når motoren kører.
- Sluk apparatet, og tag batteripakken ud (eller den afbrydende enhed), og sørg for, at alle bevægelige dele er stoppet helt, inden apparatet justeres eller rengøres - gør også dette, hvis:
 - Du forlader apparatet.
 - Apparatet skal rengøres, hvis udstødningen eller en anden del er tilstoppet.
 - Apparatet skal ses efter, rengøres eller repareres.
 - Apparatet har ramt en fremmed genstand. Se apparatet efter for skader, og foretag de nødvendige reparationer.

- Hvis apparatet begynder at vibrere unormalt (kontroller straks):
 - Se apparatet efter for skader.
 - Skift eller reparer beskadigede dele.
 - Stram evt. løse dele.

VEDLIGEHOLDELSE OG OPBEVARING

- Hvis apparatet skal justeres, skal du være forsigtig med ikke at få fingrene i klemme mellem bevægelige klinger og fastsiddende dele.
- Sørg altid for, at alle møtrikker, bolte og skruer er spændt ordentligt fast, så det er sikkert at bruge apparatet.
- Se regelmæssigt græsfranger efter for slid og forringelse.
- Udskift slidte eller beskadigede dele.
- Hvis klingerne skal repareres eller skiftes, skal du være opmærksom på at de stadig kan bevæge sig, selvom apparatet ikke er strømtilslettet.
- På plæneklippere med klinger, skal du sørge for at klingerne skiftes med den rigtige type.

PERSONLIG SIKKERHED

Der kan opstå ulykker, hvis brugeren ikke er opmærksom på tilstedeværelsen af børn. Børn er ofte tiltrukket af plæneklipperen, når man klipper græs. De forstår ikke faren ved plæneklipperen. Du må aldrig antage, at børn bliver der, hvor du sidst så dem.

- Børn skal holdes ude af græsområdet der skal slås, og de skal være under nøje opsyn af en anden ansvarlig voksen end personen, der slår græsset.
- Vær opmærksom, og sluk apparatet, hvis et barn kommer ind i området.
- Vær meget forsigtig, når man nærmer sig blinde hjørner, døråbninger, buske, træer eller andre forhindringer, hvor du ikke kan se et barn, der kan komme løbende ind i apparatet.
- Børn skal være under opsyn, så du sikrer at de ikke leger med apparatet.
- Apparatet skal altid slukkes, inden batteripakken tages ud. Stop plæneklipperen, hvis den skal vippe for at køre over andre overflader end græs, og når den flyttes til og fra området, der skal klippes.

BETJENING

GENEREL BETJENING:

- Læs hele denne brugsvejledning omhyggeligt, inden apparatet samles. Læs, forstå og følg alle instruktioner på apparatet og i vejledningerne, inden apparatet tages i brug. Sørg for at du er helt fortrolig med betjeningsknapperne, og hvordan apparatet bruges korrekt, inden det tages i brug. Behold denne brugsvejledning på et sikkert sted til senere og regelmæssig reference, og til bestilling af reservedele.

- Brug den rigtige apparat – brug ikke plæneklipperen til noget andet, end hvad det er beregnet til.
- Undgå, at række for langt ud – hold ordentligt fodfæste og balance på alle tidspunkter.
- Genstande, der rammes af plæneklipperens klinge, kan føre til alvorlige personskader. Græsplænen skal altid ses nøje efter, og ryddes for alle slags genstande, inden den slås.
- Inden og mens du køre baglæns med plæneklipperen, skal du se bagud og nedad, og holde øje efter små børn og andre personer.
- Dette apparat er ikke et legetøj. Du skal derfor altid være ekstremt forsigtig. Apparatet er beregnet til at udføre en opgave: At klippe græs. Apparatet må ikke bruges til andre formål.
- Undgå, at tvinge plæneklipperen – græsset klippes bedre og mere sikkert, når det klippes med den hastighed, som apparatet er beregnet til.
- Inden apparatet tages i brug, skal klingene, klingeboltene og klingsamlingen ses efter for slid og skader. Slidte eller beskadigede klinger og bolte, samt andre dele, skal skiftes på samme tid, så balancen bevares. Beskadigede eller ulæselige etiketter skal skiftes.
- Vær meget forsigtig, hvis du kører baglæns eller trækker apparatet mod dig.
- Se grundigt området, hvor apparatet skal bruges, efter. Fjern alle sten, pinde, kabler, legetøj og andre fremmedlegemer, som man kan falde over, eller som klingene kan ramme og slynge ud. Genstande, der slynges ud af apparatet, kan føre til alvorlige personskader. Planlægge det mønster, som du vil slå græsset i, så græsset ikke udstødes på veje, fortove, personer eller lignende. Undgå også, at græsset udstødes på vægge eller andre genstande, som kan rikoettere græsset og sten tilbage mod brugeren.
- For at undgå kontakt med klingene eller skader fra udstødte genstande, skal brugeren blive bag håndtagene og holde børn, andre personer, hjælpere og kæledyr mindst 30 meter fra apparatet, når det er i brug. Stop apparatet, hvis nogen kommer ind i området.
- Brug altid beskyttelsesbriller når apparatet bruges, samt hvis det skal justeres eller repareres, så dine øjne beskyttes. Udstødte genstande, der rikoetterer kan føre til alvorlige øjenskader. Brug altid en ansigts- eller støvmaske, hvis det støver, når apparatet bruges.
- Brug det rigtige tøj – undgå, at bære løstsiddende tøj eller smykker. De kan komme i klemme i bevægelige dele. Det anbefales at bruge gummihandsker og fodtøj, når du arbejder udendørs. Brug arbejdssko med robuste såler, og tætsiddende bukser og skjorter. Det anbefales at bruge skjorter og bukser, som dækker arme og ben og sikkerhedssko med ståltå. Dette apparat må aldrig bruges i bare fødder, med sandaler eller med glatte eller lette sko (fx af lærredssko).

DK

- Hænder eller fødder må ikke komme i nærheden af drejende dele eller under klippedækket. Kontakt med klinger kan skade hænder og fødder.
- Hvis udstødningslågen mangler eller beskadiges, kan man komme i kontakt med klinger, og skader kan opstå fra udstødende genstande.
- Mange skader opstår ved at brugeren glider eller snubler, hvorefter plæneklipperen kører over fødderne. Hold ikke fast i plæneklipperen, hvis du falder. Slip straks håndtaget.
- Træk aldrig plæneklipperen tilbage mod dig, mens du går. Hvis plæneklipperen skal trækkes væk fra en væg eller en anden genstand, skal du først kikke nedad og bagud, så du ikke snubler, og følg derefter disse trin:
 - Træd tilbage fra plæneklipperen, indtil din arme er helt udstrakte.
 - Sørg for at du er velafbalanceret og har et godt fodfæste.
 - Træk langsomt plæneklipperen tilbage, men ikke mere end halvvejs mod dig.
 - Gentag disse trin, efter behov.
- Plæneklipperen må ikke bruges, hvis du er under indflydelse af alkohol eller narkotika.
- Plæneklipperen må aldrig bruges uden at beskyttelseskærmene eller sikkerhedsudstyret, som fx afbøjningsplader og/eller græsfangere, er sat på apparatet.
- Vær opmærksom – hold øje med, hvad du laver. Brug din sunde fornuft. Undgå, at bruge plæneklipperen, hvis du er træt.
- Styrehåndtaget til motoren/klingen er sikkerhedsenhed. Apparatet skal altid bruges med styrehåndtaget. Hvis dette ikke gøres, kan du miste herredømmet over apparatet, som kan føre til personskader ved kontakt med klinger. Styrehåndtaget til motoren/klingen skal kunne køre let i begge retninger, og det skal automatisk gå tilbage til den åbne indstilling, når det udløses.
- Undgå farlige miljøer – plæneklipperen må ikke bruges på fugtige eller våde steder.
- Apparatet må ikke bruges i regn.
- Sørg altid for at have et godt fodfæste. Hvis du glider og falder, kan det føre til alvorlige personskader. Hvis du er ved at miste dit fodfæste, skal du straks slippe styrehåndtaget, hvorefter klinger stopper efter 3 sekunder.
- Stop klinger, inden du kører apparatet over grus, fortov og veje.
- Hvis apparatet begynder at vibrere unormalt, skal du straks stoppe motoren og finde årsagen til vibrationen. Hvis apparatet begynder at vibrere, betyder det

sandsynligvis at der er opstået et problem.

- Se apparatet efter for skader.
- Skift eller reparer beskadigede dele, som brugeren selv har mulighed for at skifte/reparere.
- Se apparatet efter for løse dele, og spænd dem hvis nødvendigt.
- Plæneklipperen må aldrig bruges uden at bagskærmen, udstødningslågen, græsbeholderen, tildækningsindsatsen, sideudstødningen, styrehåndtaget til motor/klinge justeringshåndtag eller andre beskyttende sikkerhedsanordninger er sat på, og virker ordentligt. Plæneklipperne må aldrig bruges med beskadigede dele. Hvis dette sker, kan det føre til personskader.
- Hvis der opstår situationer, som ikke er beskrevet i denne brugsvejledning, skal du være forsigtig og bruge din sunde fornuft. Kontakt EGO's kundeservice for hjælp.
- Brug kun batterier og opladere, der er anført nedenfor:

BATTERIPAKKE	OPLADER
BA1120E, BA2240E, BA2800, BA3360, BA4200	CH5500E, CH2100E

- Batteriet skal fjernes fra apparatet, inden det bortskaffes.
- Batteriet skal bortskaffes sikkert.

BRUG AF APPARATET PÅ EN SKRÅNING:

Skråninger er en væsentlig faktor i forbindelse med glide- og faldulykker, hvilket kan føre til alvorlige skader. Sørg for, at du har et ordentligt fodfæste på skråninger. Hvis apparatet bruges på skråninger, bedes du være yderst forsigtig. Hvis du ikke har et ordentligt fodfæste på skråningen, skal du ikke klippe den.

Gør følgende:

- Klip langs en skråning. Klip aldrig op- og nedad. Vær forsigtig, når du vender plæneklipperen om på en skråning.
- Hold øje med huller, riller, klipper, skjulte genstande eller bump, som du kan glide på eller falde over. Genstande og forhindringer kan være skjult i højt græs.

Gør ikke følgende:

- Klip ikke i nærheden af lodrette klippesider, grøfter eller volde, da du kan miste dit fodfæste eller balance.
- Undgå, at klippe skråninger, der er over 15 grader.
- Undgå, at slå vådt græs. Et ustabil fodfæste kan gøre at du glider.

SERVICE

⚠ ADVARSEL: Græsbeholderkomponenterne, udstødningslågen, sideudstødningen, tildækningsindsatsen og bagskærmen udsættes for slid og skader, som med tiden kan udsætte personer for bevægelige dele eller genstande kan udstødes, hvilket kan forøge risikoen for skader. For en sikkerheds skyld, skal alle komponenter regelmæssigt ses efter, og skift straks beskadigede komponenter med identiske reservedele, der er anført i denne vejledning. Kontakt EGO's kundeservice eller dit nærmeste EGO-servicecenter. Reparationer og udskiftninger skal udføres af en kvalificeret servicetekniker!

- Hvis plæneklipperens indbygget overbelastningsbeskyttelse ofte går i gang, bedes du kontakte EGO's kundeservice eller dit nærmeste EGO-servicecenter.
- Plæneklipper må ikke vaskes med en slange. Undgå, at der kommer vand ind i motoren eller de elektriske forbindelser.
- Tag nøglen ud og opbevar plæneklipperen indendørs, når den ikke er i brug. Lad motoren køle ned, inden apparatet opbevares indendørs. Plæneklipperen skal opbevares på et tørt og højtliggende eller indelåst sted, så den er utilgængelig for børn.
- Hvis plæneklipperen skal serviceres, må kun identiske reservedele, der er anført i denne vejledning, bruges. Hvis der bruges dele, der ikke opfylder de oprindelige deles specifikationer, kan det påvirke apparatets ydeevne og sikkerheden.
- Fjern eller afbryd batteripakken inden servicering, og rengøring, og inden materialer fjernes fra plæneklipperen.
- Følg instruktionerne for at smøring og udskiftning af tilbehør.
- Hold håndtagene tørre, rene og fri for olie og fedt.
- For at reducere risikoen for brand, skal motorlåget holdes fri for græs, blade og snavs.
- Kontroller regelmæssigt at monteringsboltene på klingens og motoren er spændt ordentligt fast. Se også klingens efter for skader (om den fx bøjet, har revner eller er slidt). Klingens må kun skiftes med en identisk klinge, som anført i denne vejledning.
- Vedligehold din plæneklipper med omhu – hold plæneklippers klinge skarp og ren, for at få de bedste og sikreste resultater. Plæneklipperens klinge er skarp, som man nemt kan skære sig på. Vikl et klæde om klingens eller brug handsker, og vær ekstra forsigtig, når den skal repareres eller skiftes.
- Beskyttelsesenhederne må aldrig fjernes eller manipuleres med. Kontroller regelmæssigt, at de virker ordentligt. Du må aldrig gøre noget, der kan påvirke en beskyttelsesenheds påtænkte funktion, eller som kan reducere den beskyttelse, som en beskyttelsesenhed giver.
- Motoren skal altid stoppes, inden hjulene eller klippehøjden justeres.
- Hvis plæneklipperen rammer en genstand, skal motoren stoppes, nøglen skal tages ud og plæneklipperen skal ses grundigt efter for eventuelle skader. Skaden skal repareres, inden plæneklipperen tages i brug igen.
- Vedligehold og skift sikkerheds- og instruktionsetiketterne, hvis nødvendigt. Kontakt EGO's kundeservice eller dit nærmeste EGO-servicecenter. Reparationer og udskiftninger skal udføres af en kvalificeret servicetekniker!
- **GEM DISSE VEJLEDNINGER** Læs vejledningerne regelmæssigt, og brug dem til at oplære andre, der skal bruge dette apparat. Hvis du låner dette apparat til en anden, skal disse vejledninger følge med, så produktet ikke misbruges og eventuelle skader undgås.

DK

BRUG OG PLEJE AF BATTERIET

- For at bevare naturlige ressourcer, skal batterier genbruges eller bortskaffes korrekt. Dette produkt indeholder litium-ion-batterier. Lokale eller nationale love forbyder, at bortskaffe litium-ion-batterier samme med almindeligt affald. Kontakt din lokale affaldsmyndighed for oplysninger om, hvor produktet kan genbruges og/eller bortskaffes.
- Når batteripakken tages ud, og skal bortskaffes eller sendes til genbrug, skal batteriterminalerne tapes til med stærkt tape. Ingen af delene på batteripakken må tages af, og batteripakken må ikke ødelægges eller adskilles. Litium-ion-batterier skal genbruges eller bortskaffes korrekt. Batteriterminalerne må aldrig røres med metalgenstande og/eller kropsdele, da dette kan kortslutte batteriet. Skal holdes væk fra børn. Hvis disse advarsler ikke overholdes, kan det føre til brand og/eller alvorlige skader.
- **HVIS BATTERIPAKKEN MISBRUGES, KAN DEN LÆKKE VÆSKE. UNDGÅ, AT RØRE VED DENNE VÆSKE. HVIS EN PERSON RØRER VED VÆSKEN, SKAL OMRÅDET SKYLLES MED VAND. HVIS VÆSKEN KOMMER I KONTAKT MED ØJNENE, SKAL DU STRAKS SØGE LÆGEHJÆLP.** Batterivæske kan forårsage irritation eller forbrændinger.

SPECIFIKATIONER

Modelnummer	LM2010E	LM2010E-SP	
Selvkørende system	Nej	Ja	
Spænding	56 V	56 V	
Hastighed ude belastning	3150 /min	3150 /min	
Klippehøjde	25-95 mm	25-95 mm	
Klippehøjdeindstillinger	6	6	
Dækstørrelse	51 cm	51 cm	
Klippebredde	50 cm	50 cm	
Græsbeholderens kapacitet	60 L	60 L	
Plæneklipperens vægt (uden batteripakken)	25,1 kg	28,1 kg	
Klingemodel	AB2001	AB2001	
Målt lydeffekt L_{WA}	94 dB(A)	94,32 dB(A)	
Lydtryk ved brugerens øre L_{PA} $K=2,5$ dB(A)	82,5 dB(A)	85,6 dB(A)	
Garanteret lydeffekt L_{WA} (målt i henhold til 2000/14/EC)	96 dB(A)	96 dB(A)	
Vibration a_{h1} , $K=1,5$ m/s ²	Venstre håndtag	3,65 m/s ²	1,08 m/s ²
	Højre håndtag	1,64 m/s ²	0,88 m/s ²
Klingebræms	Ja	Ja	

DK

- Den angivne samlede vibrationsstyrke er blevet målt i overensstemmelse med en standard testmetode, og kan bruges til at sammenligne et apparat med et andet.
- Den angivne samlede vibrationsstyrke kan også bruges i en foreløbig vurdering af eksponeringen.

BEMÆRK: Vibrationsemissionen under den faktiske anvendelse af apparatet, kan afvige fra den angivne værdi fra testen. For at beskytte brugeren, skal denne bruge handsker og høreværn, når apparatet bruges.

DELE I PAKKEN

DELNAVN	ANTAL
Plæneklipper	1
Græsbeholder	1
Ramme til græsbeholderen	1
Tildækningsindsats	1
Sideudstødning	1
Sikkerhedsnøgle	2

Brugsvejledning	1
-----------------	---

BESKRIVELSE

GØR DIG BEKENDT MED DIN PLÆNEKLIPPER (billede A & B & C & D & E)

- Håndtag til den selvkørende funktion
- Håndtag
- Koblingsbøjle
- Tænd/sluk-knap
- Græsbeholder
- Håndtag til hurtig indstilling
- Indstillingshåndtag til klippehøjde
- Baghjul
- Sideudstødning
- Låge til sideudstødning
- Plæneklipperdæk
- Forlygter
- Forhjul
- Låg til batteripakken
- Bageste håndtag
- Låge til bagudstødning
- Håndtag til indstilling af selvkørende hastighed
- Bagskærm
- Nøglehul til sikkerhedsnøgle
- Udløserknap til batteriet
- Tænd/sluk-knap til forlygterne
- Strømindikatoren på plæneklipperen
- Tildækningsindsats
- Sideudstødning

BETJENING

SÅDAN SAMLES GRÆSBEHOLDEREN

- Tryk græsbeholderen på rammen (billede F).
- Saml de øverste klemmer på rammen (billede G), og saml derefter de to sideklemmer. Sæt bundklemmen på til sidst.
- Den samlede græsbeholder kan ses på billede H.

SÅDAN INDSTILLES DET FOLDBARE HÅNDTAG

ADVARSEL: Plæneklipperen må ikke startes, før håndtaget er låst fast på en af de tre forudindstillede positioner (ØVRE POSITION, MIDTERSTE POSITION og NEDRE POSITION).

Plæneklipperen leveres med håndtag i kompakt position, dvs. den LÅSTE OPBEVARINGSPOSITION (billede I).

- 1) Træk de to hurtigjusteringshåndtag ud og drej dem 90° for at frigive håndtaget fra den LÅSTE OPBEVARINGSPOSITION.
- 2) Løft håndtaget. Drej forsigtigt håndtaget tilbage til en af de tre forskellige positioner, som vist på billede J. Drej knapperne 90°, indtil du kan høre og mærke at låsestiften låses fast i den rigtige position.

Følgende er en beskrivelse af delene på billede J:

J-1	Øvre betjeningsposition
J-2	Midterste betjeningsposition
J-3	Nedre betjeningsposition
J-4	Låst opbevaringsposition

BEMÆRK: De to hurtigindstillingshåndtag skal være på samme højde under justeringen, så de kan låses fast i samme positionen på samme tid.

MONTERING/FJERNELSE AF GRÆSBEHOLDEREN/TILDÆKNINGSINDSATSEN

ADVARSEL: Plæneklipperen må aldrig justeres på nogen måde, før motoren er blevet stoppet og sikkerhedsnøglen er trukket ud, og før klingens er stoppet helt.

BEMÆRK: Sæt alle nødvendige dele på plæneklipperen, inden den tages i brug.

- Sådan sættes græsbeholderen på og tages af (billede K)

Indstil håndtaget til den passende betjeningsposition. Løft lågen til bagudstødning, og hæng græsbeholderen på hanken. Græsbeholderen fjernes ved at løfte den op og af hanken. Slip derefter lågen til bagudstødningen.

BEMÆRK: Tag den for monterede tildækningsindsats ud af plæneklipperen, inden græsbeholderen sættes på plæneklipperen.

- Sådan sættes tildækningsindsatsen på og tages ud (billede L).

Løft lågen til bagudstødningen, og sæt indsatsen i plæneklipperen. Indsatsen tages ud, ved blot at trække i den. Slip derefter lågen til bagudstødningen.

- Sådan sættes sideudstødning på og tages af (billede M)

Løft lågen til sideudstødningen. Sørg for at lugen på sideudstødningen passer med håndtaget på lågen, og slip forsigtigt lågen så du sikrer at den drejer rundt om drejehåndtaget, inden til den hviler på udstødningen. For at fjerne den, skal du løfte lågen til sideudstødningen, og løfte sideudstødningen af samlingshåndtaget på lågen.

Følgende er en beskrivelse af delene på billede M:

M-1	Låge til sideudstødning
M-2	Samlingshåndtag
M-3	Monteringsluger
M-4	Sideudstødning

SÅDAN INDSTILLES KLIPPEHØJDEN (billede N)

ADVARSEL: Hold dine fødder fra dækket, når højden indstilles. Apparatet kan indstilles til 6 klippehøjder, mellem 20 og 90 mm. Vælg den korrekte klippehøjde i henhold til græsset.

BEMÆRK: Når apparatet flyttes, skal du sørge for at klippehøjden er indstillet til 3 eller derover. I modsat fald kan klingens beskadiges.

SÅDAN SÆTTES BATTERIPAKKEN I OG TAGES UD (billede O)

Batteripakken skal oplades før første brug.

ADVARSEL: Hvis nogen af delene beskadiges eller mangler, må batteripakken ikke sættes i plæneklipperen, og plæneklipperen må ikke bruges, før den beskadigede del repareres eller manglende del tilføjes. Hvis dette ikke gøres, kan det føre til alvorlige skader.

- Sådan sættes batteripakken i

Tryk batteripakken i batterirummet, indtil du kan høre en kliklyd.

- Sådan tages batteripakken ud

Tryk på udløserknappen til batteripakken inde i batterirummet.

Følgende er en beskrivelse af delene på billede O:

O-1	Nøglehul til sikkerhedsnøgle
O-2	Sikkerhedsnøgle
O-3	Udløser til batteripakken

BEMÆRK: Sørg for at låsen på plæneklipperen låses på plads, og at batteripakken sidder ordentligt fast i plæneklipperen, inden den tages i brug.

DK

SÅDAN STARTES/STOPPES PLÆNEKLIPPEREN

⚠ ADVARSEL: Alle plæneklippere kan ske at udstøde genstande, der kan ramme brugerens eller andres øjne, som kan føre til alvorlige øjenskader. Brug altid beskyttelsesbriller når plæneklipperen bruges, og hvis den skal justeres eller repareres.

⚠ ADVARSEL: Sørg for at andre personer og kæledyr er mindst 30 meter væk fra maskinen, når den er i brug.

⚠ ADVARSEL: Klingen bliver ved med at dreje rundt i et par sekunder efter apparatet slukkes. Lad motoren/klingen standse helt, inden apparatet startes igen. Plæneklipperen må ikke tændes umiddelbart efter den slukkes.

SIKKERHEDSNØGLEN

For at undgå utilsigtet start eller uautoriseret brug af dit trådløse plæneklipper, er den udstyret med en aftagelig sikkerhedsnøgle. Plæneklipperen afbrydes fuldstændigt, når sikkerhedsnøglen tages ud.

DK

⚠ FARE: Drejende klinger kan føre til alvorlige skader. For at forhindre alvorlige skader, skal sikkerhedsnøglen tages ud, når plæneklipperen ikke er under opsyn, samt hvis den skal justeres, rengøres, serviceres, transporteres, løftes op eller gemmes væk.

Sådan startes plæneklipperen (billede Q)

- 1) Sæt batteripakken i plæneklipperen, stik sikkerhedsnøglen i nøglehullet og luk låget til batteripakken (billede O).
- 2) Tryk på sikkerhedsknappen, som vist på billede P.
- 3) Hold sikkerhedsknappen nede, tryk koblingsbøjlen opad mod håndtaget og slip sikkerhedsknappen.

Sådan stoppes plæneklipperen (billede R)

- 1) Slip koblingsbøjlen.
- 2) Den elektriske bremse i den automatiske bremsemekanisme stopper klingens rotation mindst 3 sekunder efter koblingsbøjlen slippes.

SELVKØRENDE SYSTEM MED FORSKELLIGE HASTIGHEDER

LM2010E-SP plæneklipperen er udstyret med en selvkörende funktion, der kan indstilles til forskellige hastigheder. Dette system virker uafhængigt af tænd/sluk-knappen til klingens rotation. Det afhænger ikke af, om klingens rotation drejer rundt.

For at bruge systemet uden klingerotation, skal håndtaget til den selvkörende funktion trækkes mod håndtaget.

For at slå den selvkörende funktion fra, skal håndtaget frigives igen.

Systemet har forskellige hastigheder. For at øge hastigheden, skal gashåndtaget til den selvkörende funktion trykkes fremad. For at reducere hastigheden, skal gashåndtaget til den selvkörende funktion trækkes tilbage (billede S).

Sådan startes klingens rotation, når græsset skal klippes:

1. Start plæneklipperen.
2. Tryk koblingsbøjlen mod håndtaget med venstre hånd, og træk håndtaget til den selvkörende funktion mod håndtaget med højre hånd.
3. Hold både koblingsbøjlen og håndtaget til den selvkörende funktion mod håndtaget med højre hånd, og brug venstre hånd til at indstille gashåndtaget til den selvkörende funktion.

⚠ ADVARSEL: For at reducere risikoen for skader, skal enten tænd/sluk-knappen og den selvkörende funktion altid bruges. Den selvkörende funktion må kun bruges til dens tilsigtede formål.

FORLYGTERNE PÅ PLÆNEKLIPPEREN (Billede A-12)

Tryk på tænd/sluk-knappen (billede D-21), for at tænde og slukke forlygterne foran batterirummet.

STRØMINDIKATOREN PÅ PLÆNEKLIPPEREN (billede D-22)

Plæneklipperen er udstyret med en strømindikator, som viser batteripakkens opladningsstatus og plæneklipperens driftsstatus. Strømindikatoren lyser, når klingens rotation drejer, og når forlygterne er tændt.

Strømindikatoren på plæneklipperen	Betydning	Handling
Lyser grøn	Plæneklipperen virker ordentligt. Batteriet har mindst 15% tilbage.	Ikke relevant
Lyser rød	Lavt batteriniveau	Stop plæneklipperen, og oplad batteriet
Blinker rød	Batteriet er næsten brugt op	Stop plæneklipperen, og oplad batteriet

Lyser orange	Plæneklipperen eller batteripakken er overophedet	Tag batteriet ud af plæneklipperen. Stil både plæneklipperen og batteriet i skyggen, og lad den køle ned i mindst 15 minutter
Blinker orange	Plæneklipperen er overbelastet	Kør langsommere med plæneklipperen, og hæv klippehøjden, så den ikke overbelastes.

BESKYTTELSE MOD OVERBELASTNING

For at forhindre skader på grund af overbelastning, skal du undgå at klippe for meget græs på én gang. Sænk farten eller hæv klippehøjden.

Din plæneklipper har en indbygget beskyttelsesfunktion mod overbelastning af kredsløbet. Hvis plæneklipperen overbelastes, stopper motoren og strømindikatoren på plæneklipperen begynder at blinke orange. Tag batteripakken ud af plæneklipperen. Se om græs har samlet sig sammen under dækket, og fjern det, hvis nødvendigt. Sæt derefter batteripakken i og start plæneklipperen igen.

BESKYTTELSE MOD OVEROPHEDNING AF BATTERIET

Batteripakken danner varme under brug. Varmen forsvinder langsommere i varmt vejr. Hvis batteriets temperatur kommer over 70°C under brug, slukker beskyttelsesfunktionen automatisk plæneklipperen, så batteripakken beskyttes mod skader. Strømindikatoren på plæneklipperen lyser orange. Slip koblingen, vent indtil batteripakken er kølet ned til ca. 67° C og start derefter plæneklipperen igen.

VEDLIGEHOLDELSE:

ADVARSEL: For at undgå alvorlige personskader, skal sikkerhedsnøglen og batteripakken altid tages ud af plæneklipperen, inden den rengøres eller vedligeholdes.

ADVARSEL: Hvis plæneklipperen skal repareres, må der kun bruges originale reservedele. Brug af andre dele kan føre til fare eller produktskader. Af hensyn til sikkerhed og pålidelig drift, skal alle reparationer og udskiftninger udføres af en kvalificeret servicetekniker.

SÅDAN RENGØRES PLÆNEKLIPPEREN

ADVARSEL: Sikkerhedsnøglen og batteripakken skal altid tages ud, hvis plæneklipperen skal repareres eller transporteres et andet sted hen.

Undersiden af plæneklipperdækket skal rengøres efter hver brug, da græs, blade, jord og andet snavs kan samle sig. Denne samling er uønsket, da det kan føre til rust og korrosion på metaldelene, og forringe plæneklipperen klippeeffektivitet.

Fjern eventuelle samlinger af græs og blade på eller omkring drivakslen (kun på LM2010E-SP) og på motorventilatoren (brug ikke vand). Tør plæneklipperen ren med en fugtig klud.

SÅDAN SÆTTES KLINGEN PÅ OG TAGES AF

ADVARSEL: Din hænder skal altid beskyttes med kraftige handsker eller ved at pakke klingens ind i en klud eller anden materiale, hvis klingens skal repareres eller på anden måde vedligeholdes.

- Sådan tages klingens af (billede U)

BEMÆRK: Hvis boltens drejer med motorakslen, når den løsnes, skal ventilatorbladet drejes med hånden så den passer med hullerne i klingens, og sæt en anden metalstift i de tilpassede huller.

- Sådan sættes klingens på

Følg samplingsrækkefølgen på billede U, med ventilatorvingen mod dækket og med klingens forhøjning mod ydersiden. Sørg for at hullerne på ventilatorvingen passer med hullerne på klingens (billede W), og spænd derefter klingens fast, som vist på billede X.

Følgende er en beskrivelse af delene på billede U og V:

U-1	Ventilator	U-5	Bolt
U-2	Indre flange	V-1	Stabilisator 1
U-3	Ydre flange	V-2	Stabilisator 2
U-4	Klinge	V-3	14mm skruenøgle

BEMÆRK: Det anbefalede drejningsmoment, når boltens til klingens strammes, er 49-59Nm.

OPBEVARING AF PLÆNEKLIPPEREN

- Tag batteripakken ud af plæneklipperen, og opbevar den på et køligt, tørt og rent sted. Plæneklipperen må ikke opbevares ved siden af ætsende stoffer, såsom gødning og stensalt.
- Smør plæneklipperen.
- Plæneklipperen skal opbevares i et overdækket, lukket rum, som er kold og tørt, og utilgængelig for børn.

DK

- Plæneklipperen må ikke tildækkes af en solid plastiktildækning. En tæt plastiktildækning kan danne fugt omkring plæneklipperen, der forårsager rust og korrosion.
- Plæneklipperen kan opbevares enten på højkant eller almindeligt (billede Y).

⚠ ADVARSEL: Hvis plæneklipperen begynder at vælte, når den står på højkant, kan den beskadiges eller forårsage personskader. Plæneklipperen skal altid holdes stabil og utilgængelig for børn, når den står på højkant. Læg plæneklipperen ned, når den skal opbevares, hvis muligt.

Beskyttelse af miljøet



Elektrisk udstyr, batterier, opladere og genopladelige batterier må ikke bortskaffes med almindeligt husholdningsaffald!

Ifølge EU-lovene 2012/19/EC og 2006/66/EU, skal elektrisk og elektronisk udstyr, der ikke længere er brugbart, samt defekte og opbrugte batteripakker/batterier, indsamles særskilt.

Hvis elektriske apparater bortskaffes på lossepladser, kan farlige stoffer lække i grundvandet og komme ind i fødekæden, som kan være skadeligt for din sundhed og velvære.

DK

EF-OVERENSSTEMMELSESERKLÆRING

Vi, CHERVON EUROPE LTD.

47 CASTLE STREET, READING, RG1 7SR, UNITED KINGDOM

Erklære, at dette produkt - en ledningsfri plæneklipper med **56 V litium-ion-batter LM2010E/LM2010E-SP** overholder de væsentlige sikkerheds- og sundhedskrav i følgende direktiver:

2006/42/EC, 2004/108/EC, 2011/65/EU, 2000/14/EC

Standarder og tekniske specifikationer kan findes her:

EN 60335-1, EN 60335-2-77, EN 62233, EN 55014-1, EN 55014-2

	LM2010E	LM2010E-SP
Målt lydeffekt:	94 dB(A)	94,32 dB(A)
Garanteret lydeffekt:	96 dB(A)	96 dB(A)

Peter Melrose
Visedirektør for Chervon Europa

Dong Jianxun
kvalitetschef for Chervon

* (Autoriseret repræsentant for CHERVON og ansvarlig for tekniske dokumentationer)

01/01/2016

FEJLFINDING

⚠ ADVARSEL: Sikkerhedsnøglen og batteripakken skal altid tages ud, hvis plæneklipperen skal repareres eller transporteres et andet sted hen. Din hænder skal altid beskyttes med kraftige handsker eller ved at pakke klingens ind i en klud eller anden materiale, hvis klingens skal repareres eller på anden måde vedligeholdes.

PROBLEM	ÅRSAG	LØSNING
Plæneklipperen kan ikke starte	<ul style="list-style-type: none"> ■ Batteripakken er løbet tør for strøm. ■ Batteriet er ikke sat ordentligt i batterirummet. ■ Batteripakken eller plæneklipperen er for varm. (Strømindikatoren på plæneklipperen lyser orange i 10 sekunder) ■ Sidestængerne er ikke trukket ud til deres maksimale længde, og klemmerne er ikke spændt fast. ■ Håndtaget er ikke indstillet på en af de to driftspositioner. ■ Plæneklipperdækket er tilstoppet med græs og snavs. 	<ul style="list-style-type: none"> ■ Oplad batteripakken. ■ Sæt batteripakken til plæneklipperen, tryk den nedad indtil du hører et klik. ■ Lad batteripakken eller plæneklipperen køle ned, indtil temperaturen kommer under 67°C. ■ Træk håndtaget helt ud, og spænd begge klemmer. ■ Indstil håndtaget til en af de to driftspositioner. ■ Rengør plæneklipperdækket, og sørg for at klingens kan dreje rundt uden modstand.
Plæneklipperen skærer ujævnt	<ul style="list-style-type: none"> ■ Klingens er døv. ■ Klippehøjden er ikke indstillet korrekt. ■ Klingens er monteret forkert. 	<ul style="list-style-type: none"> ■ Slib eller skift klingens. ■ Hæv dækket til en højere klippehøjde. ■ Sæt klingens på igen i henhold til afsnittet "SÅDAN SÆTTES KLINGEN PÅ" i denne brugsvejledning.
Plæneklipperen stopper, når man slår græs.	<ul style="list-style-type: none"> ■ Batteripakken er løbet tør for strøm. ■ Plæneklipperen er overbelastet. ■ Plæneklipperdækket er tilstoppet med græs og snavs. ■ Batteripakken eller plæneklipperen er for varm. (Strømindikatoren på plæneklipperen lyser orange i 10 sekunder.) ■ Sidestængerne er blevet presset lidt tilbage på grund af trykket på håndtaget. 	<ul style="list-style-type: none"> ■ Oplad batteripakken. ■ Hæv klippehøjden, eller kørs langsommere, når du slår græsset. ■ Rengør plæneklipperdækket. Hæv klippehøjden, eller klip i smallere linjer. ■ Lad batteripakken eller plæneklipperen køle ned, indtil temperaturen kommer under 67°C. ■ Spænd klemmerne. Træk sidestængerne helt ud, og spænd klemmerne igen.

DK



PROBLEM	ÅRSAG	LØSNING
Plæneklipperen klipper ikke græsset ordentligt	<ul style="list-style-type: none">■ En samling af vådt græs sidder fast på undersiden af dækket.■ Plæneklipperen er indstillet til at klippe for meget græs på én gang.	<ul style="list-style-type: none">■ Vent, indtil græsset tørrer, inden det slås.■ Hæv dækket til en højere klippehøjde.
Plæneklipper vibrerer meget	<ul style="list-style-type: none">■ Klingen sidder løs.■ Klingen er ubalanceret.■ Skærekniven er bøjet.■ Motorakslen er bøjet.	<ul style="list-style-type: none">■ Stramme boltene på klingen.■ Balancer klingen i henhold til vejledningerne.■ Skift klingen.■ Kontakte servicecentret.
Spændebøjlerne til håndtaget kan ikke låses fast.	<ul style="list-style-type: none">■ Sidestængerne er ikke trukket helt ud.	<ul style="list-style-type: none">■ Træk sidestængerne helt ud, og spænd spændebøjlerne.

DK GARANTI

EGO's GARANTIPOLITIK

Besøg venligst hjemmesiden egopowerplus.com for fuldstændige vilkår og betingelser for EGO's garantipolitik.

LÄS IGENOM ALLA INSTRUKTIONER.



LÄS IGENOM OCH FÖRSTÅ BRUKSANVISNINGEN

⚠ Dolda risker! Personer med elektroniska enheter såsom pacemaker skall rådfråga sin läkare innan denna produkt används. Hantering av elektrisk utrustning i närheten av en hjärtpacemaker kan orsaka störningar eller funktionsfel hos pacemakern.

⚠ VARNING: För att garantera säkerheten och pålitligheten skall alla reparationer och utbyten utföras av en kvalificerad servicetekniker.

Avsedd användning och förutsett missbruk:

Produkten är endast avsedd för att klippa gräs i hushållsträdgårdar. Den får inte användas för att klippa onormalt högt, torrt eller vått gräs. t.ex. betesgräs eller för att strimla löv. Produkten får enbart användas för det föreskrivna ändamålet. All annan användning betraktas som missbruk.

SÄKERHETSSYMBOLER

Syftet med säkerhetssymboler är att uppmärksamma eventuella faror. Säkerhetssymbolerna och förklaringarna av dessa kräver din fullständiga uppmärksamhet och förståelse. Själva symbolvarningarna eliminerar inte några faror. Instruktionerna och varningarna som anges är inget substitut för korrekta åtgärder för att förhindra olyckor.

⚠ VARNING: Se till att läsa igenom och förstå alla säkerhetsinstruktioner i denna bruksanvisning, inklusive alla säkerhetslarmsymboler såsom "FARA", "VARNING" och "FÖRSIKTIGHET" innan detta verktyg används. Underlåtenhet att läsa alla instruktioner som listas nedan kan resultera i elektrisk stöt, brand och/eller allvarlig personskada.

SYMBOLBETYDELSE

SÄKERHETSLARMSYMBOL: Indikerar **FARA**, **VARNING** eller **FÖRSIKTIGHET**. Kan användas i kombination med andra symboler eller bilder.

⚠ VARNING: Användning av något elverktyg kan resultera i att främmande föremål kastas in i dina ögon vilket kan resultera i allvarliga ögonskador. Innan elverktyget börjar användas skall alltid skyddsglasögon eller skyddsglasögon med sidoskydd och full ansiktsskydd användas när så behövs. Vi rekommenderar att en ansiktsmask med brett synfält används ovanpå glasögonen eller standard skyddsglasögon med sidoskydd.

SÄKERHETSINSTRUKTIONER

Denna sida avbildar och beskriver säkerhetssymboler som kan visas på denna produkt. Läs igenom, förstå och följ alla instruktioner på maskinen innan försök görs att montera och hantera den.

	Säkerhetslarm	Åtgärder som påverkar din säkerhet.
	Använd ögonskydd	Använd alltid skyddsglasögon eller säkerhetsglasögon med sidoskydd och en full ansiktsmask när denna produkt används.
	VARNING: Läs igenom bruksanvisningen	För att minska risker för skador måste användare läsa igenom och förstå bruksanvisningen innan denna produkt används.
	Se upp med den vassa kniven.	Kniven fortsätter att rotera efter att motorn stängts av - ta bort urkopplingsenheten innan underhåll. Stäng av och ta bort löstagbara batteripaketet (eller avaktivera enheten) innan inställning eller rengöring.
	Håll åskådare på avstånd.	Se till att andra personer och djur håller sig minst 30m från gräsklipparen när den används.
	Klass II konstruktion	Dubbelisolerad konstruktion.
IPX4	IP-symbol	Skyddar mot inträngande av vatten grad 4
V	Volt	Spänning
A	Ampere	Ström
Hz	Hertz	Frekvens (cykler per sekund)
W	Watt	Effekt
min	Minuter	Tid
	Växelström	Typ av ström
	Likström	Typ eller karakteristik av ström
n_0	Tomgångshastighet	Rotationshastighet utan belastning
... /min	Per minut	Varv per minut

SE



SÄKERHETSREGLER FÖR SLADDLÖS GRÄSKLIPPARE

▲ FARA: Denna maskin har byggts för att arbeta i enlighet med reglerna för säker drift som inkluderas i denna manual. Såsom med alla typer av elutrustning kan oförsiktighet eller fel hos operatören resultera i allvarliga skador. Denna maskin kan skada händer och fötter och kasta iväg föremål. Underlåtenhet att följa dessa säkerhetsinstruktioner kan resultera i allvarlig skada eller dödsfall.

▲ VARNING: När sladdlösa gräsklipparen används skall grundläggande säkerhetsföreskrifter alltid följas för att minska risken för brand, elektriska faror och skador på personer.

VIKTIGT

LÄS IGENOM NOGA FÖRE ANVÄNDNING. SPARA FÖR FRAMTID REFERENS.

SÄKERHETSREGLER FÖR SLADDLÖS GRÄSKLIPPARE: FÖRSIKTIGHET-VIDRÖR INTE Roterande KNIV!

UTBILDNING

SE

- Läs igenom instruktionerna noggrant. Bekanta dig med kontroller och hur apparaten används korrekt.
- Låt aldrig barn eller personer som är obekant med dessa instruktioner använda apparaten. Lokala bestämmelser kan sätta gränser i fråga om användarens ålder.
- Klipp aldrig medan personer, särskilt barn eller djur finns i närheten.
- Operatören eller användaren är ansvarig för olyckor eller faror som uppstår för andra personer eller deras egendom.

FÖRBEREDELSE

- Vid klippning använd alltid skyddsskor och långbyxor.
- Använd inte denna apparat när du är barfota eller använder öppna sandaler. Undvik att använda kläder som sitter löst eller som har hängande remmar eller band.
- Undersök grundligt området där apparaten ska användas och ta bort alla stenar, pinnar, trådar, ben och andra främmande föremål.
- Före användning kontrollera alltid visuellt så att kniv, knivbultar och klippmontage inte är slitna eller skadade. Byt ut slitna eller skadade knivar och bultar i set för att bibehålla balansen. Byt skadade eller oläsliga etiketter.

DRIFT

- Arbeta endast i dagsljus eller i bra artificiellt ljus.
- Undvik att använda apparaten i vått gräs då det är möjligt.
- Se alltid till att du är stadig på foten i slänter.
- Gå , spring aldrig.
- För hjulförsedda rotationsgräsklippare, rör dig alltid långs med lutningar aldrig uppåt och nedåt.
- Var extra försiktig när du byter riktning i slutningar.
- Kör inte i mycket branta slänter.
- Var extra försiktig när du backar eller drar apparaten mot dig.
- Stoppa kniven om apparaten ska lutas för transport när andra ytor än gräs korsas och när apparaten transporteras från ett område till ett annat som ska klippas.
- Använd aldrig apparaten med defekta skydd och skärmar eller utan säkerhetsenheter, exempelvis strålningsskydd och eller/gräsuppsamlare på plats.
- Starta motorn enligt instruktionerna och med fötterna borta från kniven.
- Luta inte apparaten när motorn startas förutom om apparaten måste lutas för start. I detta fall luta inte mer än nödvändigt och lyft endast den del som är längst bort från användaren. Se alltid till att båda händerna är i operativt läge innan apparaten sätts ned på marken.
- Starta inte maskinen om du står framför utkastaröppningen.
- Placera inga händer eller fötter i närheten av roterande delar. För rotationsklippare håll utkastaröppningen ren hela tiden.
- Lyft aldrig upp eller bär apparaten när motorn körs.
- Stäng av och ta bort det löstagbara batteripaketet (eller avaktivera enheten) och se till att alla rörliga delar har stannat helt innan inställning eller rengöring görs:
 - När du lämnar maskinen;
 - Innan rengöring av en blockering eller rensar utkastaren;
 - Före kontroller, rensning eller arbete på apparaten;
 - Efter att du kört på ett främmande föremål. Kontrollera om apparaten har skador och reparera om så behövs.
- Om apparaten börjar vibrera onormalt (kontrollera omedelbart):
 - Inspektera om det finns skador;
 - Byt ut eller reparera skadade delar;
 - Kontrollera om det finns lösa delar och dra åt dessa;

UNDERHÅLL OCH FÖRVARING

- Var försiktig vid justeringar av maskinen för att förhindra att fingrar fastnar mellan rörliga knivar och fasta delar på apparaten.
- Se till att alla skruvar, muttrar och bultar är åtdragna för att säkra att apparaten är säker att arbeta med.
- Kontrollera gräsuppsamlaren regelbundet för slitage eller förslitning.
- Byt ut slitna eller skadade delar av säkerhetsskäl.
- Vid service på kniven var medveten om att, även om strömkällan är urkopplad kan kniven fortfarande vara i rörelse.
- För rotationsgräsklippare, se till att byta ut skärkniven mot korrekt sort.

PERSONLIG SÄKERHET

Tragiska olyckor kan ske om operatören inte är uppmärksam om barn finns i närheten. Barn är ofta attraherade av gräsklipparen och gräsklippningen. De förstår inte faran. Anta aldrig att barn kommer att vara kvar där du senast såg dem.

- Håll barnen utanför klippområdet och under uppsikt av annan vuxen är operatören.
- Var uppmärksam och stäng av gräsklipparen om en barn kommer in i området.
- Var extremt försiktig när du närmar dig hörn, dörröppningar, buskage, träd eller andra föremål som kan hindra att du ser ett barn som kan springa in i gräsklipparen.
- Barn bör övervakas så att de inte leker med gräsklipparen.
- Stäng alltid av gräsklipparen när batteripaketet tas bort från verktyget. Stoppa kniven om apparaten ska lutas för transport när andra ytor än gräs korsas och när apparaten transporteras från ett område till ett annat som ska klippas.

DRIFT

ALLMÄN DRIFT:

- Läs igenom denna bruksanvisning noga i dess helhet innan du försöker att montera maskinen. Läs igenom, förstå och följ alla instruktioner på maskinen och i manualerna innan den används. Bekanta dig ordentligt med kontrollerna och korrekt användning av denna maskin innan den används. Spara manualen på en säker plats för framtida och återkommande referens och för att beställa reservdelar.
- Använd rätt apparat - Använd inte gräsklipparen för andra jobb än vad den är avsedd för.
- Sträck dig inte - Ha ordentligt fotfäste och balans hela tiden.

- Föremål som träffas av gräsklipparens kniv kan orsaka allvarliga skador på personer. Gräsklipparen skall alltid undersökas noga och alla föremål skall rensas bort före varje klippning.
- Innan och under klippning bakåt, titta bakåt och nedåt efter små barn eller andra personer.
- Denna maskin är ingen leksak. Var därför extremt försiktig hela tiden. Din enhet har designats för att utföra ett jobb: Klippa gräs. Använd inte den för andra syften.
- Tvinga inte gräsklipparen - den kommer att göra jobbet bättre och säkrare i den hastighet som den skapats för.
- Före användning kontrollera alltid visuellt så att kniv, knivbultar och klippmontage inte är slitna eller skadade. Byt slitna eller skadade knivar och bultar och alla andra komponenter samtidigt för att undvika obalans. Byt skadade eller oläsliga etiketter.
- Var extra försiktig när du backar eller drar apparaten mot dig.
- Inspektera noga det område där utrustningen skall användas. Ta bort alla stenar, pinnar, ledningar, leksaker och andra främmande föremål som du kan snubbla över eller lyftas upp och kastas iväg av kniven.
- Föremål som kastas iväg kan orsaka allvarliga personskador. Planera hur du skall klippa för att undvika att material kastas mot vägar, trottoarer, åskådare och liknande. Undvik också att material kastas mot väggar eller mot hinder vilka kan göra att material studsar tillbaka mot operatören.
- För att hjälpa till att undvika kontakt eller att skadas av föremål som kastas iväg, var kvar i operatörszonen bakom handtagen och håll barn, åskådare, medhjälpare och husdjur minst 30m från gräsklipparen är den används. Stanna maskinen om någon kommer in i området.
- Använd alltid säkerhetsglasögon eller skyddsglasögon under arbetet och när justeringar eller reparationer utförs för att skydda ögonen. Föremål som kastas iväg kan studsas om orsaka allvarliga skador på ögonen. Använd också skyddsmask eller dammfilterskydd om arbetet är dammig.
- Klä dig korrekt - Bär inte löst sittande kläder eller smycken. De kan fastna i rörliga delar. Användning av gummihandskar och skor rekommenderas vid arbete utomhus. Använd stadiga arbetsskoor med grov sula och åtsittande byxor och tröjor. Tröjor och byxor som täcker armar och ben och skor med stålhätta rekommenderas. Använd aldrig maskinen barfota, i sandaler, hala eller lätta skor (t.ex. canvas).

SE

- Placera inte händer eller fötter i närheten av roterande delar eller under klippdäcket. Kontakt med bladet kan skada händer eller fötter.
- Ett saknat eller skadat lock till utkastaren kan leda till bladkontakt eller skador från kastade föremål.
- Många skador sker om gräsklipparen dras över foten vid fall som orsakas av att personen halkar eller snubblar. Håll inte i gräsklipparen och du ramlar, släpp handtaget omedelbart.
- Dra aldrig gräsklipparen bakåt medan du går. Om du måste backa gräsklipparen bort från en vägg eller ett hinder, titta förs ned och bakåt för att undvika att snubbla och följ sedan dessa steg:
 - Kliv bakåt från gräsklipparen tills armarna är helt utsträckta.
 - Se till att du har god balans och bra fotfäste.
 - Dra gräsklipparen bakåt sakta, inte mer än halvvägs mot dig.
 - Upprepa dessa steg ovan om så behövs.
- Använd inte gräsklipparen om du är påverkad av alkohol eller droger.
- Använd aldrig apparaten med defekta skydd och skärmar eller utan säkerhetsenheter, exempelvis strålningskydd och eller/gräsupsamlare på plats.
- Var uppmärksam - Titta på det du gör. Använd sunt förnuft. Använd inte gräsklipparen när du är trött.
- Motorns/knivens kontrollhandtag är en säkerhetsenhet. Försök aldrig att kringgå dess funktion. Om så görs blir säkerhetsenheten inaktiv och kan resultera i personskador vid kontakt med de roterande bladen. Motorns/knivens kontrollhandtag måste fungera enkelt i båda riktningarna och automatiskt återgå till den avaktiverade positionen när det släpps.
- Undvik farliga miljöer - använd inte gräsklipparen på fuktiga eller våta platser.
- Använd den inte i regn.
- Var alltid stadig på foten. Att halka eller falla kan orsaka allvarliga personskador. Om du känner att du tappar fotfästet, släpp motorns/knivens kontrollhandtag omedelbart och kniven kommer att stanna inom tre sekunder.
- Stoppa kniven när du korsar grusvägar, trottoarer eller vägar.
- Om utrustningen börjar vibrera onormalt, stoppa motorn och kontrollera omedelbart orsaken. Vibrationer är en varning för problem.
 - Inspektera om det finns skador;
 - Byt ut eller reparera utbytbara skadade delar;
 - Kontrollera om det finns lösa delar och dra åt dessa;

- Använd inte gräsklipparen utan korrekt frihängande skydd, utkastartäckning, gräsbehållare, mullinsats, sidoutkastarrör, motorns/bladets kontrollhandtag eller andra säkerhetsskydd på plats och fungerande. Använd aldrig gräsklipparen med skadade säkerhetsenheter. Om inte detta görs finns det risk för allvarliga personskador.
- Om situationer uppstår som inte tas upp i denna manual, var försiktig och använd sunt förnuft. Kontakta EGO kundtjänst för hjälp.
- Använd endast med de batteripaket och laddare som listas nedan:

BATTERIPAKET	LADDARE
BA1120E, BA2240E, BA2800, BA3360, BA4200	CH5500E, CH2100E

- Batteripaketet måste tas ur apparaten innan den skrotas.
- Batteriet ska kasseras säkert.

ARBETE I EN SLUTNING:

Slutningar är en stor faktor för halka-och-falla olyckor vilket kan resultera i allvarlig skada. Se alltid till att du är stadig på foten i slänter. Arbeta i slutningar kräver extra försiktighet. Om du känner dig osäker i en sluttning, klipp den inte.

Gör följande:

- Klipp långs med slutningar aldrig uppåt och nedåt. Var extra försiktig när du byter riktning i slutningar.
- Se upp för hål, stenar, dolda föremål eller gupp som kan göra att du halkar eller snubblar. Högt gräs kan dölja hinder.

Gör inte följande:

- Klipp inte nära branta sluttningar, diken eller jordvallar, du kan förlora fotfästet eller balansen.
- Klipp inte slutningar med större lutning än 15 grader.
- Klipp inte i vått gräs. Instabil fotfäste kan göra att du halkar.

Service

⚠ VARNING: Gräsbehållarkomponenter, utkastartäckning, sidoutkastarrör, mullinsats och frihängande skydd slits vilket kan exponera rörliga delar eller att föremål kastas ut och utgöra en risk för skador. Av säkerhetsskäl kontrollera regelbundet alla komponenter och byt skadade komponenter omedelbart med identiska delar som listas i denna manual. Kontakta EGO kundtjänst eller ditt närmaste EGO servicecenter och reparationer och byte av delar skall utföras av en kvalificerad servicetekniker!

- Om gräsklipparen inbyggda överbelastningskydd ofta utlöses, kontakta EGO kundtjänst eller ditt närmaste EGO servicecenter.

- Spola inte gräsklipparen med vatten, undvik att få vatten i motorn och i elektriska anslutningar.
- Ta bort nyckeln och förvara gräsklipparen inomhus när den inte används. Låt motorn svalna innan förvaring i något slutet utrymme. Gräsklipparen skall förvaras på en torr, hög plats eller i ett låst utrymme utom räckhåll för barn.
- Vid service, använd endast identiska reservdelar som listas i denna manual. Användning av delar som inte uppfyller originaldelarnas specifikationer kan leda till felaktig prestanda och riskera säkerheten.
- Ta bort eller koppla ifrån batteripaketet före service, rengöring eller borttagning av material från gräsklipparen.
- Följ instruktionerna för smörjning och byte av tillbehör.
- Se till att handtagen är torra, rena och fria från olja och fett.
- För att minska brandrisken, håll motorhöljet fritt från gräs, löv och skräp som samlas.
- Kontrollera kniven och motorns monteringsbultar regelbundet för korrekt åtdragning. Inspektera också kniven visuellt om det har några skador (t.ex. är böjt, sprucket eller slitet). Byt endast kniven mot en identisk utbyteskniv som listas i denna manual.
- Sköt om din gräsklippare - håll gräsklipparens kniv vass och ren för bästa och säkraste prestandan. Klipparknivar är vassa och kan skära. Linda in kniven eller använd handskar och var extra försiktig när det får service.
- Ta aldrig bort eller förändra säkerhetsenheter. Kontrollera regelbundet att de fungerar korrekt. Gör inget för att störa den avsedda funktionen på en säkerhetsenhet för att minska skyddet som avser en säkerhetsenhet.
- Stoppa alltid motorn innan några justeringar görs på ett hjul eller klipphöjden justeras.
- Om den slår emot ett främmande föremål, stoppa motorn, ta bort nyckeln och inspektera noga gräsklipparen för att se om den skadats. Reparera skadan innan gräsklipparen används igen.
- Behåll eller ersätt säkerhets- och instruktionsetiketter när så behövs. Kontakta EGO kundtjänst eller ditt närmaste EGO servicecenter och reparationer och byte av delar skall utföras av en kvalificerad servicetekniker!
- **SPARA DESSA INSTRUKTIONER.** Läs igenom dem regelbundet och använd dem för att instruera andra som kan komma att använda detta verktyg. Om du lånar ut detta verktyg till någon annan låna då också ut dessa instruktioner för att förhindra missbruk av produkten och eventuella skador.

BATTERI ANVÄNDNING OCH SKÖTSEL

- För att spara på naturresurser, återvinn eller kassera batterier på korrekt sätt. Denna produkt innehåller ett litium-jon batterier. Lokala eller nationella lagar förbjuder kassering av litium-jon batterier i vanliga soporna. Rådfråga din lokala myndighet för sophantering om tillgänglig information och återvinning och/eller kasseringsalternativ.
- Vid borttagning av batteripaketet för kassering eller återvinning, täck över batteripaketets terminalen med kraftig självhäftande tejp. Försök inte att förstöra eller demontera batteripaketet eller att ta bort någon av dess komponenter. Litium-jonbatterier måste återvinnas eller kasseras korrekt. Vidrör heller aldrig terminalerna med metallföremål och/eller kroppsdelar då det kan resultera i kortslutning. Förvara utom räckhåll för barn. Om inte dessa varningar följs kan det leda till brand och/eller allvarlig skada.
- **UNDER OLÄMPLIGA FÖRHÅLLANDEN KAN VÄTSKA SPRUTA UT FRÅN BATTERIET. UNDVIK KONTAKT. VID OAVSIKTLIG KONTAKT, SPOLA MED VATTEN. OM VÄTSKAN KOMMER I KONTAKT MED ÖGONEN, SÖK OCKSÅ LÄKARHJÄLP.** Vätska som sprutar ur batteriet kan orsaka sveda och brännskador.

SPECIFIKATIONER

Modellnr	LM2010E	LM2010E-SP
Självgående system	Nej	Ja
Spänning	56 V	56 V
Tomgångshastighet	3150 /min	3150 /min
Klipphöjd	25-95 mm	25-95 mm
Klipphöjdslägen	6	6
Däckstorlek	51 cm	51 cm
Klippbredd	50 cm	50 cm
Volym gräsbehållare	60 L	60 L
Gräsklipparvikt (utan batteripaket)	25,1 kg	28,1 kg
Knivmodell	AB2001	AB2001
Uppmätt ljudtrycksnivå L_{WA}	94 dB(A)	94,32 dB(A)
Ljudtrycksnivå vid operatörens öra L_{PA} $K=2,5$ dB(A)	82,5 dB(A)	85,6 dB(A)
Garanterad ljudeffektnivå L_{WA} (enligt 2000/14/EG)	96 dB(A)	96 dB(A)

SE

Vibration a_{h1} $K=1,5 \text{ m/s}^2$	Vänster handtag	3,65 m/s^2	1,08 m/s^2
	Höger handtag	1,64 m/s^2	0,88 m/s^2
Knivbroms		Ja	Ja

- Det deklarerade totala vibrationsvärdet har uppmätts i enlighet med en standardtestmetod och kan användas för att jämföra ett verktyg med ett annat.
- Det deklarerade totala vibrationsvärdet kan också användas i en preliminär utvärdering av exponeringen.

NOTERA: Vibrationsutstrålningen under verklig användning av elverktyg kan skilja sig från det deklarerade värdet i vilken verktyget används. För att skydda operatören skall användaren använda skyddshandskar och hörselskydd under faktiska användningsförhållanden.

PACKNINGSLISTA

ARTIKELNAMN	MÄNGD
Gräsklippare	1
Gräsbehållare	1
Gräsbehållarram	1
Mullinsats	1
Sidoutkastarrör	1
Säkerhetsnyckel	2
Bruksanvisning	1

SE

BESKRIVNING

LÄR KÄNNA DIN GRÄSKLIPPARE (Fig. A & B & C & D & E)

1. Självgåendeavtryckare
2. Handtag
3. Omkopplarhandtag (omkopplarspak)
4. Omkopplarknapp
5. Gräsbehållare
6. Snabbjusteringsknapp
7. Justerspak klipphöjd
8. Bakhjul
9. Sidoutkastarrör
10. Sidoutkastarlucka
11. Gräsklipparkåpa
12. LED-strålkastare

13. Framhjul
14. Batteripaketlock
15. Bakre handtag
16. Bakre utkastarlucka
17. Självgående hastighetskontrollspak
18. Frihängande skydd
19. Säkerhetsnyckelhål
20. Batterilåsknapp
21. Omkopplarknapp för LED-strålkastare
22. Strömindikator på gräsklipparen
23. Mullinsats
24. Sidoutkastarrör

DRIFT

MONTERING AV GRÄSBEHÅLLARE

- 1) Låt gräsbehållaren glida upp på ramen (Fig. F).
- 2) Fäst toppclipsen på ramen (Fig. G), fäst sedan det två sidoclipset. Fäst det undre clipset sist.
- 3) Den kompletta monterade gräsbehållaren visas i Fig. H.

INSTÄLLNING AV DET VIKBARA HANDTAGET

⚠ VARNING: Försök inte att starta gräsklipparen innan handtaget låsts i en av de tre förinställda driftpositionerna (ÖVRE DRIFTPosition, MELLERSTA DRIFTPositionEN eller NEDRE DRIFTPosition).

Din gräsklippare levereras med handtaget i hopfällt, LÅST FÖRVARINGSPOSITION (Fig. I).

- 1) Dra ut de två snabbjusteringsknopparna och vrid 90° för att lossa handtaget från den LÅSTA FÖRVARINGSPOSITIONEN.
- 2) Lyft handtaget. Luta försiktigt handtaget bakåt tills handtaget når någon av de tre olika positionerna som visas i Fig. J. Vrid knopparna 90° tills du hör och känner att låspinnen aktiveras i den högra positionen.

Fig. J delarnas beskrivning se nedan:

J-1	Övre driftposition
J-2	Mellersta driftposition
J-3	Nedre driftposition
J-4	Låst förvaringsposition

NOTERA: De två snabbjusteringsknopparna måste vara i samma höjd under justeringen så att de kan aktiveras i positionen samtidigt.

FÄSTA/TA BORT GRÄSBEHÅLLAREN/ MULLINSATSEN

⚠ VARNING: Gör aldrig under några förhållanden några justeringar på gräsklipparen utan att först ha stoppat motorn, tagit bort säkerhetsnyckeln och väntat tills kniven har slutat att rotera.

NOTERA: Fäst någon av tillsatserna på gräsklipparen innan klippning.

Fästa/ta bort gräsbehållaren (Fig. K)

Justera handtaget till lämplig driftsposition. Lyft den bakre utkastarluckan och haka fast gräsbehållaren på pivotstången. För att ta bort, lyft bara gräsbehållaren rakt upp från pivotstången. Slutligen lossa bakre utkastarluckan.

NOTERA: Ta bort den förinstallerade mullinsatsen från gräsklipparen innan gräsbehållaren fästs på gräsklipparen.

■ Fästa/ta bort mullinsatsen (Fig. L)

Lyft på den bakre utkastarluckan och sätt in mullinsatsen i gräsklipparen. För att ta bort, dra den bara rakt ut. Slutligen lossa bakre utkastarluckan.

■ Fästa/ta bort sidoutkastarrännan (Fig. M)

Lyft på sidoutkastarluckan. Rikta in öppningen på utkastarröret mot knoppen på utkastarluckan och lossa sidoutkastarluckan försiktigt för att få den att rotera runt pivotstången tills den vilar fast mot utkastarröret. För att ta bort, lyft sidoutkastarluckan, lyft sidoutkastarröret upp och bort från monteringsknoppen på luckan.

Fig. M delarnas beskrivning se nedan:

M-1	Sidoutkastarlucka
M-2	Monteringsknopp
M-3	Monteringsöppning
M-4	Sidoutkastarrör

INSTÄLLNING AV KLIPPHÖJDEN (Fig. N)

⚠ VARNING: Håll fötter undan från däckets när höjden ställs in. Gräsklipparen kan ställas i på 6 olika klipphöjder mellan 20 mm och 90 mm. Välj korrekt klipphöjd enligt typ och förhållandet hos gräset.

NOTERA: När verktyget förflyttas se till att klipphöjden är inställd på position 3 eller högre. Om inte så görs kan det resultera i skador på kniven.

FASTSÄTTNING/BORTTAGNING AV BATTERIPAKET (Fig. O) IÅDDA innan första ANVÄNDNING.

⚠ VARNING: Om någon del är trasig eller saknas, försök inte att fästa batteripaketet på gräsklipparen eller använd gräsklipparen innan den trasiga eller saknade delen ersatts. Om inte detta görs finns det risk för allvarliga personskador.

■ Att fästa

Skjut batteripaketet i batterifacket tills du hör ett "klick".

■ Borttagning

Tryck ned batterilåsknappen i batterifacket.

Fig. O delarnas beskrivning se nedan:

O-1	Säkerhetsnyckelhål
O-2	Säkerhetsnyckel
O-3	Batterilåsknapp

NOTERA: Se till att haken på gräsklipparen snäpper på plats och att batteripaketet sitter fast i gräsklipparen innan arbetet påbörjas.

STARTA/STOPPA GRÄSKLIPPAREN

⚠ VARNING: Användning av något gräsklippare kan resultera i att främmande föremål kastas in i dina ögon vilket kan resultera i allvarliga ögonskador. Använd alltid skyddsglasögon när gräsklipparen används eller när justeringar eller reparationer görs på den.

⚠ VARNING: Se till att andra personer och djur håller sig minst 30m från gräsklipparen när den används.

⚠ VARNING: Kniven fortsätter att rotera i några sekunder efter det att gräsklipparen stängts av. Låt motorn/kniven slut rotera innan den "slås på" igen. Växla inte snabbt mellan på och av.

SÄKERHETSNYCKEL

För att förhindra oavsiktlig start eller obehörig användning av din sladdlösa gräsklippare finns en löstagbar säkerhetsnyckel inbyggd i designen av gräsklipparen. Gräsklipparen blir helt avaktiverad när säkerhetsnyckeln har tagits bort från gräsklipparen.

FARA: Roterande knivar kan orsaka allvarliga skador. För att förhindra allvarlig skada skall säkerhetsnyckeln tas bort när gräsklipparen är utan uppsikt eller vid inställningar, rengöring, service, lyft eller förvaring av gräsklipparen.

Att starta (Fig. Q)

- 1) Fäst batteripaketet i gräsklipparen, sätt i säkerhetsnyckeln i nyckelhålet och stäng batteriluckan (Fig. O).

SE

- 2) Enligt Fig. P, tryck ned säkerhetsknappen.
- 3) Med säkerhetsknappen nedtryckt, dra bågkopplaren uppåt mot handtaget och släpp säkerhetsknappen.

Att stoppa (Fig. R)

- 1) Släpp bågkopplaren.
- 2) Den elektriska bromsen i den automatiska bromsmekanismen kommer att stoppa knivens rotation inom 3 sekunder efter att bågkopplarens släppts.

VARIABEL HASTIGHET SJÄLVGÅENDE SYSTEM

LM2010E-SP gräsklippare är utrustad med variabel självdrivande hastighet. Detta system är oberoende av knivens omkopplare, den är inte beroende av knivens rotation.

För att driva systemet utan knivrotation, dra självgående avtryckaren till handtaget.

För att stänga av självdrivande systemet, släpp självgående avtryckaren.

Systemet har variabel hastighet. För att öka hastigheten, flytta självdrivande systemets hastighetskontrollspak framåt. För att minska hastigheten, flytta den självgående hastighetskontrollspaken bakåt. (Fig. S).

SE

Hantering med kniven roterande för klippning:

1. Starta gräsklipparen.
2. Medan bågkopplaren hålls mot handtaget med din vänstra hand, dra självgående avtryckaren till handtaget med din högra hand.
3. Håll både bågkopplaren och självdrivande systemets avtryckare samtidigt mot handtaget med din högra hand och använd din vänstra hand för att justera den självdrivande systemets hastighetskontroll för att välja önskad hastighet.

⚠ VARNING: För att minska risken för skador, försök aldrig att åsidosätta driften av omkopplaren eller själva drivsystemet. Använd det självdrivande systemet endast för vad det är avsett för.

LED ARBETSBELYSNING PÅ GRÄSKLIPPAREN (Fig. A-12)

Tryck på omkopplarknappen (Fig. D-21) för att slå på/stänga av LED arbetsbelysningen framför batterifacket.

STRÖMINDIKATOR PÅ GRÄSKLIPPAREN (Fig. D-22)

Gräsklipparen är utrustad med en strömindikator för att indikera laddningsstatusen hos batteripaketet och arbetsstatusen för gräsklipparen. Strömindikatorn kommer att lysa när kniven rotera 5r eller när LED arbetsbelysningen är påslagen.

Strömindikator på gräsklipparen	Innebörd	Åtgärd
Lyser grönt	Gräsklipparen arbetar korrekt, batteriet har minst 15% av dess laddning kvar.	N/A
Lyser rött	Svagt batteri	Stoppa gräsklipparen och ladda batteripaketet
Blinkar rött	Batteriet är nästan helt tomt	Stoppa gräsklipparen och ladda batteripaketet
Lyser orange	Gräsklipparen eller batteripaketet är överhettat	Ta bort batteripaketet från gräsklipparen, flytta dem till skuggan och kyl dem i minst 15 minuter
Blinkar orange	Gräsklipparen är överladdad	Sakta ned farten eller öka klipphöjden för att minska belastningen.

GRÄSKLIPPARE ÖVERBELASTNINGSSKYDD

För att förhindra överbelastning, försök att inte klippa för mycket gräs på en gång. Skata ned klippastigheten eller öka klipphöjden.

Din gräsklippare har en inbyggd överbelastningskretsskydd. När gräsklipparen är överbelastad kommer motorn att stoppa och strömindikatorn på gräsklipparen att blinka orange. Ta bort batteriet från gräsklipparen. Kontrollera om gräs har samlats under däckets och rensa om så behövs, installera sedan batteriet och start om gräsklipparen.

SKYDD HÖG BATTERITEMPERATUR

Batteripaketet kommer att generera värme under drift. Värmen försvinner långsammare vid varmt väder. Om batteritemperaturen överstiger 70 °C under drift kommer skyddskretsen omedelbart att stänga av gräsklipparen för att skydda batteripaketet från att skadas. Strömindikatorn på gräsklipparen kommer att lysa orange. Släpp båghandtaget, vänta tills batteripaketet kylts ned till ungefär 67 °C, starta sedan om gräsklipparen.

UNDERHÅLL

⚠ VARNING: För att undvika allvarliga personskador skall alltid säkerhetsnyckeln och batteripaketet tas bort från gräsklipparen innan rengöring eller underhåll utförs.

⚠ VARNING: Vid service ska enbart identiska utbyteskomponenter användas. Användning av andra delar kan skapa risker eller orsaka produktskador. För att garantera säkerheten och pålitligheten skall alla reparationer och utbyten utföras av en kvalificerad servicetekniker.

RENGÖRING AV GRÄSKLIPPAREN

⚠ VARNING: Ta alltid bort säkerhetsnyckeln och batteripaketet vid service eller transport av gräsklipparen.

Undersidan av gräsklipparkåpan skall rengöras efter varje användning efter som gräsklipp, löv, smuts och annat skräp kommer att ackumuleras. Denna ackumulering är oönskad då det kommer att främja rostbildning och korrosion på metalldelar och minska klippeffektiviteten hos gräsklipparen.

Ta bort allt uppsamlat gräs och löv på och runt drivaxeln (endast LM2010E-SP) och motorfläkten (använd inte vatten). Torka rent gräsklipparen med en fuktig trasa.

BORTTAGNING/INSTALLATION AV KNIVEN

⚠ VARNING: Skydda alltid händer genom att använda kraftiga handskar eller linda in skärkniven med trasor eller annat material när underhålls görs av kniven.

■ Borttagning av kniven (Fig. V).

NOTERA: Om bulten roterar med motoraxeln lossa bulten, vrid fläkten för hand för att rikta in hålen på fläkten mot hålen på kniven och placera en annan metallstång i de inriktade hålen

■ Installera kniven

Följ monteringssekvensen i Fig. U, med fläktbladet riktat mot däckets och kniven med dess skrivna text mot utsidan, rikta in hålen i fläkten mot hålen i kniven (Fig. W) och dra sedan åt kniven såsom Fig. X visar.

Fig. U & V delarnas beskrivning se nedan:

U-1	Fläkt	U-5	Bult
U-2	Inre fläns	V-1	Stabilisator 1
U-3	Yttre fläns	V-2	Stabilisator 2
U-4	Kniv	V-3	14 mm skuvnyckel

NOTERA: Det rekommenderade vridmomenten för åtdragning av kniven är 49-59Nm.

FÖRVARING AV GRÄSKLIPPAREN

■ Ta bort batteripaketet från gräsklipparen och förvara det på en kall, torr och ren plats. Förvara det inte nära korrosiva material, såsom gödningsmedel eller bergssalt

- Smörjning av gräsklipparen
- Förvara gräsklipparen i ett täckt och slutet utrymme som är svalt, torrt och utom räckhåll för barn.
- Täck inte över gräsklipparen med ett tätt plastskyne. Plastskynten över fukten runt gräsklipparen vilket orsakar rost och korrosion.
- Gräsklipparen kan förvaras upprätt eller plant (Fig. Y).

⚠ VARNING: Om gräsklipparen börjar tippa över från upprätt position kan gräsklipparen eller personer skadas. Ha alltid gräsklipparen stabilt placerad och utom räckhåll för barn när den är i upprätt position. Om möjligt, lägg den plant vid förvaring.

SE



Skydda miljön



Kasta inte elektrisk utrustning, batteriladdare och batterier/laddningsbara batterier i hushållssoporna.

I enlighet med Europeisk lag 2012/19/EU måste elektrisk och elektronisk utrustning som inte längre är användbara, och enligt Europeisk lag 2006/66/EG, defekta eller förbrukade batteripaket/batterier samlas in separat.

Om elektriska apparater kasseras i fyllnadsgröpar på marken eller soptippar kan farliga substanser läcka ut i grundvattnet och komma in i livsmedelskedjan och skada din hälsa och ditt välbefinnande.

EG-DEKLARATIONEN OM ÖVERENSSTÄMMELSE

We, CHERVON EUROPE LTD.

47 CASTLE STREET, READING, RG1 7SR, UNITED KINGDOM

Deklarerar att produkten **56V litium-jon sladdlösa gräsklippare LM2010E/LM2010E-SP** uppfyller de väsentliga hälso- och säkerhetskraven i följande direktiv:

2006/42/EG, 2004/108/EG, 2011/65/EU, 2000/14/EG

Standarder och tekniska specifikationer refererar till:

EN 60335-1, EN 60335-2-77, EN 62233, EN 55014-1, EN 55014-2

	LM2010E	LM2010E-SP
Uppmätt ljudeffektnivå:	94 dB(A)	94,32 dB(A)
Garanterad ljudeffektnivå:	96 dB(A)	96 dB(A)

Peter Melrose
VD för Chervon Europe

Dong Jianxun
Kvalitetsansvarig hos Chervon

* (Auktoriserad representant för CHERVON och ansvarig för teknisk dokumentation)

01/01/2016

SE

FELSÖKNING

⚠ VARNING: Ta alltid bort säkerhetsnyckeln och batteripaketet vid service eller transport av gräsklipparen. Skydda alltid händer genom att använda kraftiga handskar eller linda in skärkniven med trasor eller annat material när underhålls görs av kniven.

PROBLEM	ORSAK	LÖSNING
Gräsklipparen startar inte	<ul style="list-style-type: none"> ■ Batteriet är helt tomt. ■ Batteriet är inte monterad på plats i batterifacket. ■ Batteriet eller gräsklipparens krets-system är för hett. (Strömindikatorn på gräsklipparen kommer att lysa orange under 10 sekunder) ■ Sidoskenorna är inte utdragna till dess maximala längd och klämmorna är inte låsta på plats. ■ Handtaget är inte inställt i en av de två driftpositionerna. ■ Gräsklipparkåpan är igensatt med gräs och skräp. 	<ul style="list-style-type: none"> ■ Ladda batteripaketet. ■ Fäst batteripaketet i gräsklipparen, tryck tills du hör ett klick. ■ Låt batteripaketet eller gräsklipparen svalna tills temperaturen sjunker under 67 °C. ■ Dra ut hantaget helt och lås båda klämmorna. ■ Ställ in handtaget till en av de två driftpositionerna. ■ Rengör gräsklipparkåpan och se till att kniven kan röra sig fritt.
Gräsklipparen klipper ojämnt.	<ul style="list-style-type: none"> ■ Kniven är slö. ■ Klipphöjden är inte korrekt inställd. ■ Kniv är felaktigt monterad. 	<ul style="list-style-type: none"> ■ Slipa eller byt kniven. ■ Höj däckets till en högre klipphöjd. ■ Montera tillbaka kniven, följ sektionen "INSTALLERA KNIVEN" i denna manual.
Gräsklipparen stannar under klippningen	<ul style="list-style-type: none"> ■ Batteriet är helt tomt. ■ Gräsklipparen är överbelastad. ■ Gräsklipparkåpan är igensatt med gräs och skräp. ■ Batteriet eller gräsklipparens krets-system är för hett. (Strömindikatorn på gräsklipparen kommer att lysa orange i 10 sekunder) ■ Sidoskenan är tillbakadragen något genom att tryck skett på handtaget. 	<ul style="list-style-type: none"> ■ Ladda batteripaketet. ■ Öka klipphöjden eller sakta ned klippningen. ■ Rensa gräsklipparkåpan. Höj klipphöjden eller klipp en smalare sträng. ■ Låt batteripaketet eller gräsklipparen svalna tills temperaturen sjunker under 67 °C. ■ Lås upp klämmorna. Dra ut sidoskenan helt och lås klämmorna igen.
Gräsklipparen förfördelar inte ordentligt	<ul style="list-style-type: none"> ■ Vått gräs har fastnat på undersidan av kåpan. ■ Gräsklipparen är inställd att klippa för mycket gräs i taget. 	<ul style="list-style-type: none"> ■ Vänta tills gräset torkar innan klippning. ■ Höj kåpan till en högre klipphöjd.

SE



PROBLEM	ORSAK	LÖSNING
Det förekommer kraftiga vibrationer	<ul style="list-style-type: none">▪ Klippkniven är lös.▪ Klippkniven är i obalans.▪ Skärbladet är böjt.▪ Motoraxeln är böjd.	<ul style="list-style-type: none">▪ Dra åt alla knivbultar.▪ Balansera kniven enligt instruktionerna.▪ Byt kniven.▪ Kontakta servicecentret.
Låsklämmorna på handtaget kan inte stängas i positionen.	<ul style="list-style-type: none">▪ Sidoskenorna är inte helt utdragna.	<ul style="list-style-type: none">▪ Dra ut sidoskenorna helt och lås klämmorna igen.

GARANTI

GARANTIVILLKOREN AV EGO

Var god besök webbplatsen egopowerplus.com för att se de fullständiga garantivillkoren av EGO.

SE

LUE KAIKKI OHJEET!



LUE KÄYTTÖOHJE SITEN, ETTÄ MYÖS YMMÄRRÄT SEN SISÄLLÖN

⚠ VAARA! Henkilöiden, joilla on sydämentahdistin tai muu vastaava elektroninen laite, tulisi keskustella lääkärin kanssa ennen tämän tuotteen käyttöä. Sähkölaitteiden käyttö sydämentahdistimen lähetyksillä saattaa häiritä tahdistimen toimintaan tai aiheuttaa vakavan toimintahäiriön.

⚠ VAROITUS: Valtuutetun huoltoteknikon tulee suorittaa kaikki korjaukset ja osien vaihdot, jotta voidaan taata tuotteen turvallinen ja luotettava käyttö.

Käyttötarkoitus ja ennakoidut

väärinkäyttömahdollisuudet: Tuote on tarkoitettu ruohon leikkaamiseen vain kotipuutarhoissa. Sitä ei ole tarkoitettu erityisen pitkän, kuivan tai kostean ruohon leikkaamiseen, esim. laidunruohon, tai lehtien sippuamiseen. Tuotetta tulee käyttää vain sille tarkoitettuun tarkoitukseen. Muunlainen käyttö lasketaan väärinkäytöksi.

TURVAMERKIT

Turvamerkkien tavoitteena on kiinnittää huomio mahdollisiin vaaroihin. Sinun tulee lukea huolellisesti käyttöohjeet ja ymmärtää turvamerkit ja niiden selitteet. Turvamerkit eivät itsessään poista vaaraa. Niiden antamat ohjeet ja varoitukset eivät korvaa asianmukaisia tapaturman torjuntatoimenpiteitä.

⚠ VAROITUS: Varmista, että luet ja ymmärrät kaikki tämän käyttäjän käsikirjan turvallisuusohjeet, mukaan lukien kaikki vaaramerkit, kuten **“VAARA”**, **“VAROITUS”** ja **“HUOMIO”**, ennen kuin käytät työkalua. Alla mainittujen ohjeiden noudattamatta jättäminen voi aiheuttaa sähköiskun, tulipalon ja/tai vakavan henkilövahingon.

MERKIN SISÄLTÖ

VAROITUSMERKKI: Ilmaisee seuraavia: **VAARA**, **VAROITUS** TAI **HUOMIO**. Voidaan käyttää yhdessä muiden merkien tai kuvamerkkien kanssa.

⚠ VAROITUS: Vierasesineitä voi sähkötyökalujen käytön seurauksena lentää silmiin, ja ne voivat aiheuttaa vakavan silmävamman. Käytä aina suojalaseja tai turvalaseja sivusuojilla ja tarvittaessa kokokasvosuojusta ennen sähkötyökalun käytön aloittamista. Suosittelemme laajan näkökentän kasvosuojusta silmälasien päälle tai vakioturvalaseja sivusuojilla.

TURVALLISUUSOHJEET

Tällä sivulla esitetään ja kuvataan tähän tuotteeseen mahdollisesti liittyvät turvamerkit. Lue kaikki koneen ohjeet siten, että ymmärrät ne, ja noudata niitä ennen kuin kasaat koneen ja käytät sitä.

	Turvallisuusvaroitukset	Turvallisuuteen liittyvät varoimenpiteet.
	Käytä suojalaseja	Käytä aina suojalaseja tai turvalaseja sivusuojilla ja kokokasvosuojusta, kun käytät tätä tuotetta.
	VAROITUS: Lue käyttäjän käsikirja	Tapaturmariskin pienentämiseksi käyttäjän täytyy lukea ja ymmärtää käyttäjän käsikirja ennen tuotteen käyttöä.
	Varo teräviä teriä.	Terät jatkavat pyörimistä sen jälkeen, kun moottori on sammutettu - irrota erotuslaite ennen huoltoa. Sammuta ruohonleikkuri ja poista irrotettava akkuyksikkö (tai erotuslaite) ennen säätöä tai puhdistusta
	Pidä sivulliset etäällä	Varmista, että muut ihmiset ja lemmikkieläimet ovat vähintään 30m päässä ruohonleikkurista sen ollessa käytössä.
	Suojausluokan II rakenne	Kaksoiseristetty rakenne
IPX4	IP-merkintä	Suojaus veden tunkeutumista vastaan luokka 4
V	Voltti	Jännite
A	Ampeeria	Virta
Hz	Hertsi	Taajuus (sykliä sekunnissa)
W	Wattia	Teho
min	Minuuttia	Aika
~	Vaihtovirta	Virran tyyppi
---	Tasavirta	Virran tyyppi tai virtajännite-ominaiskäyrä
n_0	Tyhjäkäyntinopeus	Pyörimisnopeus, kuormittamattomana
... /min	Pyörintänopeus	Kierrosta minuutissa

FI

JOHDOTTOMAN RUOHONLEIKKURIN TURVAMÄÄRÄYKSET

VAARA: Tämä kone on tarkoitettu käytettäväksi tähän käsikirjaan sisältyvien turvallista käyttöä koskevien määräysten mukaan. Kuten kaikenlaisten sähkölaitteiden yhteydessä, käyttäjän huolimattomuus tai virhe voi aiheuttaa vakavan henkilövahingon. Tämä kone voi vahingoittaa käsiä ja jalkoja ja singota esineitä. Turvallisuusvaroitusten noudattamatta jättäminen voi aiheuttaa vakavan henkilövahingon tai kuoleman.

VAROITUS: Kun käytät sähkökäyttöisiä ruohonleikkureita, tiettyjä turvallisuuteen liittyviä varoitusmerkkejä tulee aina noudattaa tulipalon, sähköiskun ja henkilövahingon riskin pienentämiseksi.

TÄRKEÄÄ

LUE HUOLELLISESTI ENNEN KÄYTTÖÄ. SÄILYTÄ OHJEET HUOLELLISESTI.

JOHDOTTOMAN RUOHONLEIKKURIN TURVAMÄÄRÄYKSET

HUOMIO-ÄLÄ KOSKETA PYÖRIVÄÄ TERÄÄ!

ENNEN KÄYTTÖÄ

- Lue ohjeet huolellisesti. Pehdy hallintalaitteisiin ja laitteen asianmukaiseen käyttöön.
- Älä anna lasten tai näihin ohjeisiin perehtymättömien henkilöiden koskaan käyttää laitetta. Paikalliset säännöt voivat rajoittaa käyttäjän ikää.
- Älä koskaan leikkaa nurmikkoa muiden henkilöiden ja erityisesti lasten tai lemmikkieläinten lähellä.
- Laitteen käyttäjä on vastuussa muille henkilöille tai heidän omaisuudelleen sattuvista tapaturmista tai aiheutuvista vaaroista.

KÄYTÖN VALMISTELU

- Pidä aina tukevia jalkineita ja pitkiä housuja, kun leikkaat nurmikkoa.
- Älä käytä laitetta, kun olet paljain jaloin tai kun jalassasi on avoimet sandaalit.
- Tarkasta perusteellisesti alue, jossa laitetta aiotaan käyttää ja poista kaikki kivet, oksat, johdot, luut ja muut vieraat esineet.
- Tarkasta aina ennen käyttöä silmämääräisesti, että terät, terän pultit ja terälaitte eivät ole kuluneet tai vaurioituneet. Vaihda kuluneet tai vaurioituneet terät ja pultit sarjoina tasapainon säilyttämiseksi.

KÄYTTÖ

- Leikkaa nurmikkoa vain päivänvalossa tai hyvässä keinovalossa.
- Vältä mahdollisuuksien mukaan käyttämästä laitetta ruohon ollessa märkää.
- Varmista aina kunnan asento kaltevilla pinnoilla.
- Kävele, älä koskaan juokse
- Jos käytät pyörillä varustettua pyörivää ruohonleikkuria, leikkaa nurmikko rinteiden kaltevuussuunnassa, älä koskaan ylös ja alas
- Ole erittäin varovainen, kun vaihdat suuntaa rinteissä.
- Älä leikkaa nurmikkoa liian jyrkistä rinteistä.
- Ole erittäin varovainen, kun kuljet taaksepäin tai vedät laitetta itseäsi kohti.
- Pysäytä terä(t), jos laitetta on kallistettava kuljetusta varten ylittäessäsi muita kuin ruohopintoja ja kuljettaessasi laitetta leikattavalle alueelle ja sieltä pois.
- Älä koskaan käytä laitetta suojusten tai suojakilpien ollessa viallisia tai ilman, että turvalaitteet, kuten ohjaimet ja/tai ruohonkerääjät, ovat paikoillaan.
- Käynnistä moottori ohjeiden mukaan ja pidä jalat pois terän tieltä.
- Älä kallista laitetta, kun käynnistät moottoria, paitsi jos laitetta on kallistettava käynnistystä varten. Siinä tapauksessa kallista laitetta vain sen verran, kun on pakko ja nosta vain sitä osaa, joka on kaukana käyttäjästä. Varmista, että molemmat kädet ovat käyttöasennossa ennen kuin palautat laitteen maan tasolle.
- Älä käynnistä laitetta, kun seisot poistoaukon edessä.
- Älä laita käsiä tai jalkoja pyörivien osien lähelle tai elle. Pyörivien leikkureiden tapauksessa pidä huolta, että poistoaukko on aina puhdas.
- Älä koskaan nosta tai kanna laitetta, jonka moottori on käynnissä.
- Sammuta laite ja poista irrotettava akku (tai estolaite) ja varmista, että kaikki liikkuvat osat ovat pysähtyneet täysin ennen kuin säädät tai puhdistat laitetta:
 - Aina, kun jätät koneen
 - Ennen tukoksen poistamista;
 - Ennen kuin tarkastat, puhdistat tai huollat laitetta;
 - Kun osat vieraaseen esineeseen. Tarkasta laite vaurioiden varalta ja korjaa tarvittaessa;
- Jos laite alkaa täristä normaalista poikkeavalla tavalla (tarkasta välittömästi).
 - Vahinkojen varalta;
 - Vaihda tai korjaa kaikki vahingoittuneet osat;
 - Tarkista ja kiristä mahdolliset löystyneet osat.

YLLÄPITO JA VARASTOINTI

- Ole varovainen, kun säädät laitetta, etteivät sormesi juutu liikkuvien terien tai laitteen kiinteiden osien väliin.
- Pidä kaikki mutterit, pultit ja ruuvit tiukalla, jotta voit varmistaa laitteen turvallisen toiminnan.
- Tarkista ruohonkeräin säännöllisesti kulumien tai heikkenemisen varalta.
- Korvaa kuluneet tai vahingoittuneet osat turvallisuusyryistä.
- Kun huollat teriä, huomioi, että vaikka virtalähde on poissa päältä, terät voivat silti liikkua.
- Varmista pyörivissä ruohonleikkureissa, että varaosina käytetään vain oikeanlaisia leikkuuvälineitä.

HENKILÖKOHTAINEN TURVALLISUUS

Traagisia onnettomuuksia voi tapahtua, jos käyttäjä ei ole valppaana lasten ollessa läsnä. Ruohonleikkurit ja ruohonleikkaaminen kiehtovat usein lapsia. He eivät ymmärrä niihin liittyviä vaaroja. Älä koskaan oletta, että lapset pysyvät samassa paikassa, jossa viimeksi näit heidät.

- Pidä lapset ruohonleikkuualueen ulkopuolella ja vastuuntuntoisen aikuisen, joka on joku muu kuin käyttäjä, tarkkaavaisen huolenpidon alaisena.
- Ole valpas ja sammuta ruohonleikkuri, jos lapsi astuu ruohonleikkuualueelle.
- Ole erittäin varovainen, kun lähestyt sokeita kulkimia, oviaukkoja, pensaita, puita tai muita kohteita, jotka voivat peittää näkyvistä ruohonleikkuria kohti mahdollisesti juoksevan lapsen.
- Lapsia tulee valvoa, jotta voidaan varmistaa, että he eivät leiki ruohonleikkurilla..
- Sammuta ruohonleikkuri aina, kun irrotat akkuyksikköä työkalusta. Pysäytä terä(t), jos laitetta on kallistettava kuljetusta varten ylittäessäsi muita kuin ruohopintoja ja kuljettaessasi laitetta leikattavalle alueelle ja sieltä pois.

KÄYTTÖ PERUSKÄYTTÖ:

- Lue tämä käyttäjän käsikirja huolellisesti kokonaisuudessaan ennen kuin yrität koota koneen. Lue ennen koneen käyttöä kaikki siinä ja käsikirjoissa mainitut ohjeet siten, että ymmärrät ne. Noudata myös ohjeita. Perehdy ennen koneen käyttöä kokonaisvaltaisesti hallintalaitteisiin ja koneen asianmukaiseen käyttöön. Säilytä tätä käsikirjaa turvallisessa paikassa tulevaa tarvetta varten ja perehdy siihen säännöllisin väliajoin. Tarvitset sitä myös varaosia tilatessasi.
- Käytä oikeaa laitetta - Käytä ruohonleikkuria vain sen käyttötarkoitusta vastaavaan työhön.
- Älä kurkottele - Säilytä aina tukeva asento ja hyvä tasapaino.

- Ruohonleikkurin terään osuvat esineet voivat aiheuttaa vakavia henkilövahinkoja. Nurmikko tulee aina tarkastaa huolellisesti ja tyhjentää kaikista esineistä ennen jokaista ruohonleikkuuta.
- Katso taakse ja alas ennen kuin liikut taaksepäin ja sen aikana, jotta huomaat pienet lapset ja muut henkilöt.
- Tämä kone ei ole leikkikalu. Ole siksi aina erittäin varovainen. Laitteesi on suunniteltu suorittamaan yksi työ: leikkaamaan ruohoa. Älä käytä sitä mihinkään muuhun tarkoitukseen.
- Älä ylikuormita ruohonleikkuria - se tekee työn paremmin ja turvallisemmin sillä nopeudella, jolle se on suunniteltu.
- Tarkasta aina ennen käyttöä silmämääräisesti, että terät, terän pultit ja terälaite eivät ole kuluneet tai vaurioituneet. Vaihda kuluneet tai vaurioituneet terät ja pultit ja kaikki muut komponentit yhtä aikaa tasapainon säilyttämiseksi. Vaihda vaurioituneet kyltit tai kyltit, joita on mahdoton lukea.
- Ole erittäin varovainen, kun kuljet taaksepäin tai vedät laitetta itseäsi kohti.
- Tarkasta perusteellisesti alue, jossa laitetta aiotaan käyttää. Poista kaikki kivet, oksat, johdot, lelut ja muut vieraat esineet, joihin voidaan kompastua tai jotka voivat terän mukana nousta maasta ja sinkoutua ympäriinsä. Ympäriinsä sinkoutuvat esineet voivat aiheuttaa vakavan henkilövahingon. Suunnittele leikkuureitti, jotta voit välttää leikkuujätteen heittämisen kohti teitä, jalkakäytäviä, sivullisia ja muita vastaavia kohteita. Vältä myös purkamasta leikkuujätettä seinäiä tai esteitä kohti, jolloin purettu leikkuujäte voi kimmota takaisin käyttäjää päin.
- Voit helpoimmin välttää koskettamasta terää tai sinkoutuvien esineiden aiheuttamaa vahinkoa pysymällä käyttäjän alueella kahvojen takana ja pitämällä lapset, sivulliset, apulaiset ja lemmikkieläimet vähintään 30m päässä ruohonleikkurista sen ollessa käytössä. Sammuta kone, jos joku astuu alueelle.
- Pidä aina turva- tai suojalaseja silmiesi suojelemiseksi käytön aikana ja tehdessäsi säätöjä tai korjauksia. Ympäriinsä sinkoutuvat esineet, jotka kimpoavat takaisin, voivat aiheuttaa vakavan silmävamman. Pidä aina kasvo- tai hengityssuojainta, jos puhaltimen käytöstä syntyy paljon pölyä.
- Pukeudu asianmukaisesti - Älä käytä löysiä vaatteita tai koruja. Ne voivat tarttua liikkuviin osiin. Suosittelemme kumikäsineiden ja -jalkineiden käyttöä ulkona työskennellessäsi. Pidä tukevia, karkeapohjaisia työkenkiä ja ihonmyötäisiä housuja ja paitoja. Suosittelemme paitoja ja housuja, jotka peittävät käsivarret ja sääret, sekä teräskärkisiä kenkiä. Älä koskaan käytä tätä konetta paljain jaloin, sandaaleissa, liukkaissa tai kevyissä (esim. kangas-) kengissä.

- Älä laita käsiä tai jalkoja lähelle pyöriviä osia tai leikkuurungon alle. Terän koskettaminen voi vaurioittaa käsiä ja jalkoja.
- Puuttuva tai vaurioitunut ulosheittosuojia voi aiheuttaa teräkosketuksen tai vammoja sinkoutuvista esineistä.
- Vammoja tapahtuu usein sen seurauksena, että ruohonleikkuri vedetään jalan yli liukastumisen tai kompastumisen aiheuttaman kaatumisen aikana. Älä pidä kiinni leikkurista, jos kaadut; päästä kahva irti välittömästi.
- Älä koskaan vedä ruohonleikkuria takaisin itseäsi kohti samalla, kun kävelet. Jos sinun täytyy peruuttaa ruohonleikkuria pois päin seinästä tai esteen luota, katso ensin alas ja taakse välttääksesi kompastumisen ja noudata sen jälkeen seuraavia vaiheita:
 - Ota etäisyyttä ruohonleikkuriin, jotta voit kokonaan ojentaa käsivarret.
 - Varmista, että sinulla on tasapainoinen ja vakaa asento.
 - Vedä ruohonleikkuria hitaasti taaksepäin enintään puoleen väliin itseäsi kohti
- Toista nämä vaiheet tarvittaessa.
- Älä käytä ruohonleikkuria alkoholin tai huumausaineiden vaikutuksen alaisena.
- Älä koskaan käytä laitetta suojusten tai suojakilpien ollessa viallisia tai ilman, että turvalaitteet, kuten ohjaimet ja/tai ruohonkerääjät, ovat paikoillaan.
- Pysy valppaana - keskity siihen, mitä teet. Käytä tervettä järkeä. Älä käytä ruohonleikkuria väsyneenä.
- Moottorin/terän säätökahva on turvalaite. Älä koskaan yritä ohittaa sen toimintaa. Muutoin turvalaite on toimintakyvytön ja seurauksena voi olla henkilövahinko kosketuksesta pyörivään terään. Moottorin/terän säätökahvan tulee toimia helposti molempiin suuntiin ja palata vapautettaessa automaattisesti irtikytkentäasentoon
- Vältä vaarallisia ympäristöjä - Älä käytä ruohonleikkureita kosteissa tai märissä paikoissa.
- Älä käytä sateessa.
- Varmista aina kunnon asento. Liukastuminen ja kaatuminen voivat aiheuttaa vakavan henkilövahingon. Jos tunnet menettäväsi asentosi, päästä moottorin/terän säätökahva välittömästi irti ja terä lopettaa pyörimisen kolmen sekunnin kuluessa.
- Pysäytä terä, kun ylität sorateitä, jalkakäytäviä tai ajoteitä
- Jos laite alkaa täräistä poikkeavasti, pysäytä moottori ja tarkasta välittömästi syy. Tärinä on yleensä merkki häiriöistä.
 - Tarkasta vaurioiden varalta
 - Vaihda tai korjaa käyttäjän vaihdettavissa olevat vaurioituneet osat;

- Tarkasta löysien osien varalta ja kiristä ne
- Älä koskaan käytä ruohonleikkuria ilman takasuojaa, ulosheittosuojaa, ruohopussia, silppuria, sivuosan ulosheittokourua, moottorin/terän säätökahvaa tai muita paikoillaan ja toiminnassa olevia turvalaitteita. Älä koskaan käytä ruohonleikkuria, jos turvalaitteet ovat vaurioituneet. Varoituksen noudattamatta jättäminen voi aiheuttaa henkilövahingon.
- Jos esiintyy tilanteita, joita ei käsitellä tässä käsikirjassa, ole varovainen ja käytä hyvää harkintaa. Ota yhteyttä EGO- asiakaspalveluun avun saamiseksi.
- Käytä vain alla mainittujen akkuyksikköjen ja latauslaitteiden kanssa:

AKKUYKSIKKÖ	LATAUSLAITE
BA1120E, BA2240E, BA2800, BA3360, BA4200	CH5500E, CH2100E

- Akkuyksikkö täytyy irrottaa laitteesta ennen laitteen romuttamista
- Akku on hävitettävä turvallisesti.

KÄYTTÖ RINTEESSÄ:

Rinteet ovat erittäin suuri tekijä liittyen liukastumiskäytöistä johtuviin tapaturmiin, joista voi seurata vakava vahinko. Varmista aina kunnon asento kaltevilla pinnoilla. Rinteissä leikkaaminen edellyttää erittäin suurta varovaisuutta. Jos rinne saa sinut hermostuneeksi, älä leikkaa sen ruohoa. Käytä turvallisuuksista sivulla 26 mainittua rinnemittaa rinteiden mittaamiseen ennen kuin käytät tätä laitetta alueella, jossa on rinteitä tai mäkiä. Jos rinteet kaltevuus on yli 15 astetta, älä leikkaa sen ruohoa.

Toimi seuraavasti:

- Leikkaa nurmikko rinteet kaltevuussuunnassa, älä koskaan ylös ja alas. Ole erittäin varovainen, kun vaihdat suuntaa rinteissä.
- Varo reikiä, uria, kiviä, piiloesineitä tai töyssyjä, joihin voit liukastua tai kaatua. Pitkä ruoho voi piilottaa esteitä.

Älä toimi seuraavasti:

- Älä leikkaa ruohoa alamäkien, oijen tai pengerten läheltä; voit menettää asennon ja tasapainon
- Älä leikkaa rinteitä, joiden kaltevuus on rinnemittarin mukaan yli 15 astetta.
- Älä leikkaa märkää ruohoa. Epävakaat asento voi saada sinut liukastumaan.

HUOLTO

VAROITUS: Ruohopussin osiin, ulosheittosuojaan, sivuosan ulosheittokouruun, silppuriin ja takasuojaan kohdistuu kulumista ja vaurioitumista, mikä voi saada liikkuvat osat näkyviin tai singota esineitä ja lisätä täten loukkaamisriskiä. Tarkasta turvallisuuden varmistamiseksi kaikki komponentit säännöllisesti ja vaihda vaurioituneet komponentit välittömästi tässä käsikirjassa mainittuihin valmistajan hyväksymiä varaosia. Ota yhteyttä EGO-asiakaspalveluun tai lähimpään EGO-huoltopisteeseen ja valtuutetun huoltoteknikon tulee suorittaa kaikki korjaukset ja vaihdot.

- Jos ruohonleikkurin sisäänrakennetun yliuormittussuojan kytkin laukeaa toistuvasti, ota yhteyttä EGO-asiakaspalveluun tai lähimpään EGO-huoltopisteeseen.
- Älä pese ruohonleikkuria letkulla; estä veden pääsy moottoriin ja sähköliitäntöihin.
- Irrota avain ja varastoi toimeettomat ruohonleikkurit sisätiloihin, kun niitä ei käytetä. Anna moottorin jäähtyä ennen kuin varastoit sen suljettuun tilaan. Ruohonleikkuri tulee varastoida korkealle ja kuivaan tai lukittuun suljettuun tilaan lasten ulottumattomiin.
- Käytä huollon yhteydessä vain tässä käsikirjassa mainittuja valmistajan hyväksymiä varaosia. Laitteen alkuperäisiä vaatimuksia täyttämättömien osien käyttö voi saada laitteen toimimaan väärin ja vaarantaa turvallisuuden.
- Irrota tai kytke akkuyksikkö irti ennen huoltoa, puhdistusta tai materiaalin puhdistamista ruohonleikkurista.
- Noudata lisävarusteiden voiteluun ja vaihtamiseen liittyviä ohjeita.
- Pidä kahvat kuivina, puhtaina, öljyttöminä ja rasvattomina
- Pienennä tulipalon vaaraa pitämällä ruoho, lehdet ja leikkuujättekertymät kaukana moottorin kotelosta.
- Tarkasta terän ja moottorin kiinnityspulttien oikea kireys säännöllisin väliajoin. Tarkasta terä silmämääräisesti myös vaurioiden varalta (esim. taipuminen, murtuminen ja kuluminen). Vaihda terä vain tässä käsikirjassa mainitulla identtisellä vaihtoterällä.
- Huolla ruohonleikkuria huolellisesti - pidä leikkurin terä terävänä ja puhdista parhaan ja turvallisimman suorituskyvyn aikaansaamiseksi. Ruohonleikkurin terät ovat teräviä ja ne voivat viiltää. Peitä terä tai käytä käsineitä ja ole erittäin varovainen, kun huollat sitä.
- Älä koskaan poista tai peukaloi turvalaitteita. Tarkasta niiden asianmukainen toiminta säännöllisesti. Älä koskaan tee mitään, mikä häiritsee turvalaitteelle tarkoitettua toimintaa tai vähentää turvalaitteen tarjoamaa suojaa.

- Pysäytä moottori aina ennen säätöjen tekemistä pyörään tai leikkuukorkeuden säätöä.
- Kun osut vieraaseen esineeseen, pysäytä moottori, irrota avain ja tarkasta ruohonleikkuri perusteellisesti vaurioiden varalta. Korjaa vauriot ennen ruohonleikkurin käyttöä.
- Ylläpidä tai vaihda turvallisuus- ja ohjekyltit tarvittaessa. Ota yhteyttä EGO-asiakaspalveluun tai lähimpään EGO- huoltopisteeseen ja valtuutetun huoltoteknikon tulee suorittaa kaikki korjaukset ja vaihdot.
- **SÄILYTÄ NÄMÄ OHJEET.** Lue niitä usein ja anna ne myös luettavaksi muille henkilöille, jotka mahdollisesti käyttävät työkalua. Jos lainaat työkalua toiselle henkilölle, anna mukaan myös nämä ohjeet, jotta voit estää tuotteen väärinkäytön ja mahdollisesti vahingon.

AKUN KÄYTTÖ JA HOITO

- Kierrätä tai hävitä akut asianmukaisesti luonnonvaroja säästävällä tavalla. Tämä tuote sisältää litiumioniakkuja. Paikalliset tai kansalliset lait estävät litiumioniakkujen hävittämisen tavallisten roskien mukana. Kysy paikalliselta jäteviranomaiselta tietoja käytettävissä olevista kierrätys- ja/tai hävitysvaihtoehtoista.
- Suojaa akkuyksikön navat kestäväällä teipillä, kun akkuyksikkö on irrotettu hävittämistä tai kierrätystä varten. Älä yritä tuhota tai purkaa akkuyksikköä tai irrottaa sen osia. Litiumioniakut täytyy kierrättää tai hävittää oikein. Älä myöskään koskaan kosketa napoja metalliesineillä ja/tai kehon osilla, koska siitä voi aiheutua oikosulku. Pidä poissa lasten ulottuvilta. Näiden varoitusten noudattamatta jättäminen voi aiheuttaa tulipalon ja/tai vakavan henkilövahingon
- **NESTETTÄ VOI VUOTAA AKUSTA, JOS SIIHEN KOHDISTUU ISKUJA; VÄLTÄ TÄLLÖIN KONTAKTIA. JOS KONTAKTI VAHINGOSSA TAPAHTUU, HUUHTELE VEDELLÄ. JOS NESTETTÄ PÄÄSEE SILMIIN, HAKEUDU MYÖS LÄÄKÄRIN HOITOON.** Akkuneuste voi aiheuttaa ärsytystä tai palovammoja.

FI

MÄÄRITYKSET

Mallinumero	LM2010E	LM2010E-SP
Automaattinen työntöjärjestelmä	Ei	Kyllä
Jännite	56 V	56 V
Nopeus ilman vastusta	3150 /min	3150 /min
Leikkauskorkeus	25-95 mm	25-95 mm
Leikkauskorkeuden asennot	6	6
Kannen koko	51 cm	51 cm

Leikkausleveys	50 cm	50 cm	
Ruohopussin tilavuus	60 L	60 L	
Leikkurin paino (ilman akkua)	25,1 kg	28,1 kg	
Terämalli	AB2001	AB2001	
Mitattu äänen tehotaso L_{WA}	94 dB(A)	94,32 dB(A)	
Äänenpaineen taso käyttäjän korvien tasolla L_{PA} K=2,5 dB(A)	82,5 dB(A)	85,6 dB(A)	
Taattu äänen tehotaso L_{WA} (2000/14/EC:n mukaisesti)	96 dB(A)	96 dB(A)	
Värinä a_{hv} K=1,5 m/s ²	Vasen kahva	3,65 m/s ²	1,08 m/s ²
	Oikea kahva	1,64 m/s ²	0,88 m/s ²
Terän jarru	Kyllä	Kyllä	

- Ilmoitettu värinän kokonaisarvo on mitattu standardikoemenetelmän mukaan ja sitä voidaan käyttää verrattaessa työkaluja keskenään
- Ilmoitettua värinän kokonaisarvoa voidaan myös käyttää altistumisen ennakoarvioinnissa.

HUOMAA: Sähkötyökalun todellisen käytön aikana ilmenevä värinä voi erota työkalun käytölle ilmoitetusta arvosta. Käyttäjän suojelemiseksi on todellisissa käyttöolosuhteissa käytettävä käsineitä ja kuulosuojaimia.

PAKKAUSLUETTELO

OSAN NIMI	MÄÄRÄ
Ruohonleikkuri	1
Ruohopussi	1
Ruohopussin kehys	1
Silppuri	1
Sivuosan ulosheittokouru	1
Turva-avain	2
Käyttäjän käsikirja	1

KUVAUS

TUNNE LEIKKURISI (kuvat A, B, C, D ja E)

- Vetolaitteen kahva
- Kahva
- Vapautuskytkin (kytkinvipu)
- Kytkinpainike
- Ruohopussi
- Pikasäädin
- Leikkauskorkeuden säätövipu
- Takarengas
- Sivulla oleva poistosuppilo
- Sivulla oleva poistoluukku
- Leikkurin kansi
- LED-ajovalot
- Eturengas
- Akun kansi
- Takakahva
- Takapoistoluukku
- Automaattisen työnnön nopeudensäädinvipu
- Lokasuoja
- Turva-avaimen avaimenreikä
- Akun vapautuspainike
- LED-ajovalojen kytkinpainike
- Leikkurin virran merkkivalo
- Silppuri
- Sivuosan ulosheittokouru

KÄYTTÖ

RUOHOPUSSIN KOKOAMINEN

- Liu'uta ruohopussi kehukseen (kuva F).
- Kiinnitä yläkiinnikkeet kehukseen (kuva G) kiinnitä sen jälkeen kaksi sivukiinnikettä. Kiinnitä alakiinnike viimeisenä.
- Valmiiksi koottu ruohopussi on esitetty kuvassa H.

TAITETTAVAN KAHVAN SÄÄTÄMINEN

VAROITUS: Älä yritä käynnistää leikkuria ennen kuin kahva on lukittu johonkin esiasetetuista käyttöasentoista (YLEMPI KÄYTTÖASENTO, KESKITASON KÄYTTÖASENTO ja YLEMPI KÄYTTÖASENTO).

Leikkurin kahva on kuljetettaessa tilaa säästävässä, LUKITUSSA VARASTOASENNOSSA (kuva I).

- 1) Vedä ulos pikasäätimet ja käännä niitä 90 astetta, niin kahva vapautuu LUKITUSTA VARASTOASENNOSTA.
- 2) Nosta kahva. Käännä kahvaa varovasti taakse, kunnes kahva on missä tahansa kuvassa J kuvatusta kolmesta asennosta. Käännä säätimiä 90 astetta, kunnes kuulet ja tunnet lukkopinnin lukittuvan oikeaan asentoon.

Kuva J osien kuvaus alla:

J-1	Ylempi käyttöasento
J-2	Keskitason käyttöasento
J-3	Alempi käyttöasento
J-4	Lukittu varastoasento

HUOMAA: Molempien pikasäädintien tulee olla samalla korkeudella säätämisen aikana niin, että ne voidaan lukita asentoon samaan aikaan.

RUOHOPUSSIN/SILPPURIN LIITTÄMINEN/POISTAMINEN

VAROITUS: Älä ikinä tee muutoksia ruohonleikkuriin ilman, että ensin sammutat moottorin, poistat turva-avaimen ja odotat, että terä lopettaa pyörimisen.

HUOMAA: Liitä mikä tahansa osa ruohonleikkuriin ennen leikkaamista.

■ Ruohopussin liittäminen/irrottaminen (kuva K)

Säädä kahva sopivaan käyttöasentoon. Nosta takana oleva poistoluukku ja kiinnitä ruohopussi kääntyvään tankoon. Ruohopussin voi poistaa nostamalla se pois tangosta. Vapauta viimeiseksi takana oleva poistoluukku.

HUOMAA: Poista esiasennettu maankattolisäke leikkurista ennen kuin liität leikkuriin ruohopussin.

■ Silppurin liittäminen/irrottaminen (kuva L)

Nosta takana oleva poistoluukku ja aseta maankattolisäke leikkuriin. Poista se vetämällä se ulos. Vapauta viimeiseksi takana oleva poistoluukku.

■ Sivulla olevan ulosheittokourun/poistaminen (kuva M)

Nosta sivulla oleva poistoluukku. Aseta poistoluukun aukko poistoluukun tapin kohdalle ja vapauta ote poistoluukusta varovaisesti niin, että se pyörii kääntyvässä tangossa, kunnes se lepää tukevasti poistosuppilon päällä. Poista se nostamalla sivulla oleva poistoluukku ja nostamalla sivulla oleva poistosuppilo luukun kokoonpanotapista.

Kuva M osien kuvaus alla:

M-1	Sivulla oleva poistoluukku
M-2	Kokoonpanotappi
M-3	Kokoonpanoaukko
M-4	Sivulla oleva poistokouru

LEIKKAUSKORKEUDEN SÄÄTÄMINEN (kuva N)

VAROITUS: Pidä jalat etäällä rungosta, kun säädät sen korkeutta. Ruohonleikkuri voidaan asettaa 6 eri leikkuukorkeudelle 25-95 mm välille. Valitse oikea leikkuukorkeus ruohotyypin ja nurmikon olosuhteiden mukaan.

HUOMAA: Varmista työkalua liikuttaessasi, että leikkuukorkeus on säädetty vähintään asentoon 3. Varoituksen noudattamatta jättäminen voi aiheuttaa terän vaurioitumisen.

AKKUYKSİKÖN KIINNITYS/IRROTUS (kuva O)

LATAA ENNEN ENSIMMÄISTÄ KÄYTTÖÄ.

VAROITUS: Jos jokin osa on rikkoutunut tai puuttuu, älä yritä kiinnittää akkuyksikköä ruohonleikkuriin tai käyttää ruohonleikkuria ennen kuin rikkoutuneet tai puuttuvat osat on korvattu. Varoituksen noudattamatta jättäminen voi aiheuttaa vakavan henkilövahingon.

■ Liittäminen

Työnnä akkuyksikköä, kunnes kuulet napsahduksen.

■ Poistaminen

Paina akkuosiossa olevaa akun vapautuspainiketta ja vedä akku ulos.

Kuva O osien kuvaus alla:

O-1	Turva-avaimen avaimenreikä
O-2	Turva-avain
O-3	Akun vapautuspainike

huomaa: Varmista ennen käytön aloittamista, että ruohonleikkurin salpa napsahtaa paikalleen ja että akkuyksikkö on kiinnitetty ruohonleikkuriin.

LEIKKURIN KÄYNNISTÄMINEN/SAMMUTTAMINEN

VAROITUS: Vierasesineitä voi ruohonleikkurien käytön seurauksena lentää omiin silmiisi tai muiden silmiin, jolloin silmiin voi tulla vakavia silmävammoja. Pidä aina suojalaseja käyttäessäsi ruohonleikkuria ja tehdessäsi siihen säätöjä tai korjauksia.

VAROITUS: Varmista, että muut ihmiset ja lemmikkieläimet ovat vähintään 30m päässä ruohonleikkurista sen ollessa käytössä.

VAROITUS: Terä jatkaa muutaman sekunnin pyörimistä sen jälkeen, kun ruohonleikkuri on sammutettu. Anna moottorin/terän pysähtyä ennen kuin käynnistä sen uudelleen. Älä käynnistä ja sammuta ruohonleikkuria nopeasti.

TURVA-AVAIN

Leikkuriin on sisällytetty poistettava turva-avain, joka estää laitteen käynnistämisen vahingossa tai langattoman leikkurin luvattoman käytön. Leikkuria ei voi käyttää, jos turva-avain ei ole leikkurissa.

VAARA: Pyörivät terät voivat aiheuttaa vakavan vamman. Vakavien vammojen välttämiseksi poista turva-avain aina, kun leikkuri on vartioimatta tai kun säädät, puhdistat, huollat, kuljetat, nostat tai varastoit leikkurin.

Käynnistys (kuva Q)

- 1) Liitä akku leikkuriin, aseta turva-avain avaimenreikään ja sulje akun kansi (kuva O).
- 2) Paina turvapainike pohjaan kuvan P mukaisesti.
- 3) Samalla kun turvapainiketta painetaan pohjaan, vedä vapautuskytkintä ylös kahvaan asti ja päästä sitten irti turvapainikkeesta.

Sammutus (kuva R)

- 1) Vapauta ajokytkin.
- 2) Automaattisen jarrulaitteiston sähköjarru pysäyttää terän pyörimisen 3 sekunnin kuluessa ajokytkimen vapauttamisesta.

AUTOMAATTINEN VETOJÄRJESTELMÄ (LM2010E-SP)

LM2010E-SP-leikkurissa on automaattinen vetomahdollisuus. Järjestelmä on erillinen terän virtakytkimestä; se ei ole riippuvainen terien pyörimisestä.

Jos haluat käyttää järjestelmää ilman, että terät pyörivät, vedä automaattisen vetotoiminnan liipaisinta kahvaa kohti.

Kun päästät irti automaattisen vetotoiminnan liipaisimesta, automaattinen vetotoiminto sammuu.

Järjestelmän nopeus on vaihteleva. Jos haluat lisätä nopeutta, siirrä automaattisen vetotoiminnan nopeusvipua eteenpäin. Jos haluat vähentää nopeutta, siirrä automaattisen vetotoiminnan nopeusvipua taakse (kuva S).

Leikkuukäyttö pyörivien terien kanssa:

1. Käynnistä leikkuri.
2. Pidä vapautuskytkintä kahvaa vasten vasemmalla kädelläsi ja vedä samalla automaattisen työntötoiminnan liipaisinta kahvaa kohti oikealla kädelläsi.

3. Pidä sekä vapautuskytkintä että automaattisen työntötoiminnan liipaisinta kahvaa vasten oikealla kädelläsi ja käytä vasenta kättäsi säätämään automaattisen työntötoiminnan nopeusvipua halutulla tavalla.

VAROITUS: Vammariskin vähentämiseksi älä ikinä yritä ohittaa kytkintä tai automaattista vetokytkintä. Automaattinen vetotoiminto on tarkoitettu vain suunniteltuun käyttötarkoitukseensa.

LEIKKURIN LED-AJOVALOT(kuva. A-12)

Paina vaihtopainiketta (kuva D-21) syyttääksesi/sammuttaaksesi LED-ajovalot akkuosion etuosassa.

LEIKKURIN VIRRRAN MERKKIVALO (kuva D-22)

Ruohonleikkuri on varustettu virran tilan osoittimella, joka ilmaisee akkuyksikön varauksen tilan ja ruohonleikkurin työskentelytilan. Virran tilan osoitin syttyy, kun terä pyörii tai kun LED-työvalot palavat.

Ruohonleikkurin virran tilan osoitin	Merkitys	Toimenpide
Palaa vihreänä	Ruohonleikkuri toimii asianmukaisesti; akun varausta on jäljellä vähintään 15%	n/a
Palaa punaisena	Matala akun varaus	Sammuta ruohonleikkuri ja lataa akkuyksikkö
Vilkkuu punaisena	Akkuyksikkö on lähes tyhjä	Sammuta ruohonleikkuri ja lataa akkuyksikkö
Palaa oranssina	Ruohonleikkuri tai akkuyksikkö on ylikuumentunut	Irrota akku ruohonleikkurista, siirrä molemmat varjoon ja anna niiden jäähtyä vähintään 15 minuuttia
Vilkkuu oranssina	Ruohonleikkuri on ylikuormittunut	Leikkaa hitaammin tai pienennä kuormitusta nostamalla leikkuukorkeutta

LEIKKURIN YLIKUORMITUSSUOJAUS

Ylikuormituksen välttämiseksi vältä liian suurten ruohikoaluiden leikkaamista kerralla. Hidasta leikkaustahtia tai nosta leikkauskorkeutta.

Leikkurissa on sisäänrakennettu ylikuormitus suojaus. Kun leikkuri on ylikuormittunut, moottori sammuu ja leikkurin virran merkivalo vilkkuu oranssina. Poista akku leikkurista. Tarkista, onko kannen alle kertynyt ruohoa ja poista se tarvittaessa. Asenna sitten akku takaisin ja käynnistä leikkuri uudelleen.

AKUN KORKEAN LÄMPÖTILAN SUOJA

Akkuyksikkö tuottaa lämpöä käytön aikana. Lämpö haihtuu pois hitaammin kuumalla säällä. Jos akun lämpötila ylittää 70 °C käytön aikana, suojauspiiri sammuttaa välittömästi ruohonleikkurin akkuyksikön suojelemiseksi vaurioitumiselta. Ruohonleikkurin virran tilan osoitin palaa oranssina.

Vapauta ajokahva, odota kunnes akkuyksikkö jäähtyy n. 67 °C:n lämpötilaan ja käynnistä ruohonleikkuri sen jälkeen uudelleen.

YLLÄPITO

VAROITUS: Poista turva-avain ja akku leikkurista aina, kun kokoat osia, teet muutoksia tai puhdistat laitetta vakavan henkilövamman välttämiseksi.

VAROITUS: Käytä huollon yhteydessä vain valmistajan hyväksymiä varaosia. Muiden osien käyttö voi aiheuttaa vaaran tai vahingoittaa tuotetta. Valtuutetun huoltoteknikon tulee suorittaa kaikki korjaukset ja vaihdot, jotta voidaan taata tuotteen turvallinen ja luotettava käyttö.

LEIKKURIN PUHDISTUS

VAROITUS: Poista aina turva-avain ja akku, kun huollat tai kuljetat leikkuria.

Leikkurin kannen alaosa tulee puhdistaa jokaisen käyttökerran jälkeen, sillä ruoho, lehdet, lika ja muu irtoaines kertyvät sinne. Tämä kertyminen aiheuttaa metalliosien ruostumista ja syöpymistä ja vähentää leikkurin leikkaustehoa.

Poista kaikki kertynyt ruoho ja lehdet ajoakselin ympäriltä (vain LM2010E-SP) ja moottorituulettimesta (älä käytä vettä). Puhdista leikkuri kostealla liinalla.

TERÄN POISTAMINEN/ASENTAMINEN

VAROITUS: Suojaa aina kätesi paksuilla käsineillä tai käärimällä leikkauspinnat riepuihin tai muihin materiaaleihin silloin, kun teet ylläpitotöitä leikkurin terälle.

Terän poistaminen(kuva V)

HUOMAA: Jos pultti pyörii moottorin akselin kanssa, kun pulttia löysätään, käännä tuuletinta käsin, kunnes tuulettimen aukot ovat samassa linjassa terän aukkojen kanssa, ja laita toinen metallitanko reikiin.

Terän asentaminen

Seuraa kuvan U kokoonpanojärjestystä: kun tuulettimen terä on kohti kantta ja kuviollinen terän puoli kohti ulkopuolta, linjaa tuulettimen aukot terän aukkoihin (kuva W) ja kiristä sitten terä kuvan X osoittamalla tavalla.

Kuvien U ja V osien kuvaus alla:

U-1	Tuuletin	U-5	Pultti
U-2	Sisälaiippa	V-1	Vakain 1
U-3	Ulkolaiippa	V-2	Vakain 2
U-4	Terä	V-3	14 mm:n kiintoavain

HUOMAA: Suositeltu momentti terän pultin kiristämiseksi on 49–59Nm.

LEIKKURIN SÄILYTYS

- Irrota akkuyksikkö ruohonleikkurista ja varastoi se viileään ja kuivaan tilaan. Älä säilytä sitä syövyttävien materiaalien, kuten lannoitteiden tai suolan, vieressä.
- Öljyä ruohonleikkuri
- Varastoi ruohonleikkuri katettuun, suljettuun tilaan, joka on viileä ja kuiva ja lasten ulottumattomissa.
- Älä peitä ruohonleikkuria yhtenäisellä muovipressulla. Muovipäällysteet pidättävät kosteutta ruohonleikkurin ympärille, mikä aiheuttaa ruostetta ja korroosiota.
- Leikkuri voidaan varastoida litteänä tai pystyasennossa (kuva Y).

VAROITUS: Jos ruohonleikkuri alkaa kaatua kumoon pystysuorasta asennosta, ruohonleikkuri voi vaurioitua tai voi aiheuttaa henkilövahinko. Pidä ruohonleikkuri aina vakaana ja lasten ulottumattomissa, kun se on pystysuorassa asennossa. Jos mahdollista, varastoi se vaakasuoraan.



Ympäristönsuojelu



Älä hävitä sähkölaitteita, akun latauslaitteita ja akkuja/ladattavia akkuja kotitalousjätteen mukana!

Euroopan parlamentin ja neuvoston direktiivin 2012/19/EU mukaan sähkö- ja elektroniikkalaitteet, jotka eivät ole enää käyttökelpoisia, ja Euroopan parlamentin ja neuvoston direktiivin 2006/66/EY mukaan vialliset tai käytetyt akkuyksiköt/akut täytyy kerätä erikseen.

Jos sähkölaitteet hävitetään viemällä kaatopaikoille tai roskaläjiin, vaarallisia aineita voi vuotaa pohjaveteen ja päästä ravintoketjuun ja vahingoittaa täten ihmisten terveyttä ja hyvinvointia.

EY-VAATIMUSTENMUKAISUUSVAKUUTUS

Me, CHERVON EUROPE LTD.

47 CASTLE STREET, READING, RG1 7SR, UNITED KINGDOM

Vakuutamme, että tuote **56 V:n litiumioniakulla toimiva johdoton ruohonleikkuri LM2010E/LM2010E-SP** noudattaa seuraavien direktiivien keskeisiä terveys- ja turvallisuusvaatimuksia:

2006/42/EC, 2004/108/EC, 2011/65/EU, 2000/14/EC

Standardit ja tekniset erittelyt, joihin viitataan:

EN 60335-1, EN 60335-2-77, EN 62233, EN 55014-1, EN 55014-2

	LM2010E	LM2010E-SP
Mitattu äänen tehotaso:	94 dB(A)	94,32 dB(A)
Taattu äänen tehotaso:	96 dB(A)	96 dB(A)

Peter Melrose
Chevron Europan varapuheenjohtaja

Dong Jianxun
Chevronin laatujohtaja

* (Auktorisoitu CHERVONin edustaja ja vastuussa teknisistä asiakirjoista)

01/01/2016

FI

VIANETSINTÄ

VAROITUS: Poista aina turva-avain ja akkuyksikkö, kun huollat tai kuljetat ruohonleikkuria. Suojaa aina käsiäsi käyttämällä paksuja käsineitä tai kietomalla leikkuusärmiin rättejä tai muita materiaaleja, kun huollat ruohonleikkurin terää

ONGELMA	SYY	RATKAISU
Ruohonleikkuri ei käynnisty	<ul style="list-style-type: none"> ■ Akkuyksikkö on tyhjä ■ Akkua ei ole kiinnitetty paikalleen akkulokerossa. ■ Akku tai ruohonleikkuri on liian kuuma. (Ruohonleikkurin virran tilan osoitin palaa oranssina 10 sekuntia) ■ Sivukiskot eivät ole täydessä pituudessaan ja kiinnikkeitä ei ole lukittu asentoon ■ Kahvaa ei ole asetettu kumpaankaan käyttöasentoon. ■ Ruoho ja leikkuujätteet ovat tukkineet ruohonleikkurin rungon. 	<ul style="list-style-type: none"> ■ Lataa akkuyksikkö ■ Kiinnitä akku leikkuriin. Paina sitä, kunnes kuulet naksahduksen. ■ Anna akkuyksikön tai ruohonleikkurin jäähtyä, kunnes lämpötila laskee alle 67 °C:een. ■ Pidennä kahva täyteen pituuteen ja lukitse molemmat kiinnikkeet ■ Säädä kahva toiseen käyttöasentoon. ■ Puhdista ruohonleikkurin runko ja varmista, että terä pääsee liikkumaan.
Ruohonleikkuri ei leikkaa tasaisesti	<ul style="list-style-type: none"> ■ Terä on tylsä. ■ Leikkuukorkeutta ei ole asetettu oikein. ■ Terä on koottu väärin. 	<ul style="list-style-type: none"> ■ Teroita tai vaihda terä. ■ Nosta runkoa korkeampaan leikkuukorkeusasetukseen ■ Kokoa terä uudelleen, noudattaen tämän käsikirjan osiota "TERÄN ASENNUS".
Ruohonleikkuri sammuu ruohonleikkuun aikana	<ul style="list-style-type: none"> ■ Akkuyksikkö on tyhjä. ■ Ruohonleikkuri on ylikuormitustilassa ■ Ruoho ja leikkuujätteet ovat tukkineet ruohonleikkurin rungon ■ Akku tai ruohonleikkuri on liian kuuma (Ruohonleikkurin virran tilan osoitin palaa oranssina 10 sekuntia.) ■ Sivukisko on vetäytynyt hieman takaisin sisään kahvaan käytetyn työntövoiman seurauksena. 	<ul style="list-style-type: none"> ■ Lataa akkuyksikkö. ■ Nosta leikkuukorkeutta tai hidasta leikkuunopeutta. ■ Puhdista ruohonleikkurin runko. Nosta leikkuukorkeutta tai leikkaa kapeampaa väylää. ■ Anna akkuyksikön tai ruohonleikkurin jäähtyä, kunnes lämpötila laskee alle 67 °C:een. ■ Avaa kiinnikkeiden lukitus. Pidennä sivukiskot täyteen pituuteen ja lukitse kiinnikkeet uudelleen.



ONGELMA	SYY	RATKAISU
Ruohonleikkuri ei silppua oikein	<ul style="list-style-type: none">■ Märkä leikkuujäte tarttuu rungon alapuolelle■ Ruohonleikkuri on asetettu leikkaamaan liikaa ruohoa kerralla.	<ul style="list-style-type: none">■ Odota, kunnes ruoho kuivaa ennen kuin jatkat leikkaamista.■ Nosta runkoa korkeampaan leikkuukorkeusasetukseen.
Liiallista tärinää esiintyy	<ul style="list-style-type: none">■ Leikkuuterä on löysällä.■ Leikkuuterä on tasapainoton.■ Leikkausterä on vääntynyt.■ Moottorin akseli on taipunut	<ul style="list-style-type: none">■ Kiristä terän pultti.■ Tasapainota terä ohjeiden mukaan.■ Vaihda terä.■ Ota yhteyttä EGO-asiakaspalveluun.
Kahvan lukitus ei toimi.	<ul style="list-style-type: none">■ Kiskot eivät ole täysin auki.	<ul style="list-style-type: none">■ Vedä kiskot mahdollisimman auki ja lukitse salvat.

TAKUU

EGO-TAKUUKÄYTÄNTÖ

Katso verkkosivuilta osoitteesta egopowerplus.com EGO-takuukäytännön ehdot ja edellytykset kokonaisuudessaan.

FI

LES ALLE INSTRUKSJONER!



LES OG FORSTÅ INSTRUKSJONSBOKEN

⚠ Restrisiko! Personer med elektroniske enheter, for eksempel pacemakere, må rådføre seg med lege før de bruker dette produktet. Drift av elektrisk utstyr i umiddelbar nærhet av en pacemaker kan føre til at pacemakeren forstyrres eller svikter.

⚠ ADVARSEL: For sikre både sikkerheten og påliteligheten, skal alle reparasjoner utføres av en kvalifisert servicetekniker.

Planlagt bruk og forutsigbart misbruk: Produktet er beregnet for å klippe gress i private hager. Den må ikke brukes til å klippe uvanlig høyt, tørt eller vått gress, f.eks. beitegress; eller til å rive opp blader. Produktet skal bare brukes til det foreskrevne formålet sitt. All annen bruk anses å være misbruk.

SIKKERHETSSYMBOLER

Formålet med sikkerhetssymbolene er å trekke oppmerksomheten din mot mulige faresituasjoner. Sikkerhetssymbolene og forklaringene krever din fulle oppmerksomhet og forståelse. Symbolvarslene eliminerer ikke farer på egen hånd. Instruksjonene og advarslene som finnes i dem er ikke erstatninger for passende ulykkesforebyggende tiltak.

⚠ ADVARSEL: Sørg for å lese og forstå alle sikkerhetsanvisningene i denne bruksanvisningen, inkludert alle sikkerhetsvarselsymboler så som «FARE», «ADVARSEL» og «FORSIKTIG» før du bruker dette verktøyet. Hvis du ikke følger alle instruksjonene nedenfor, kan det føre til elektriske støt, brann og/eller alvorlig personskade.

SYMBOLFORKLARINGER

SIKKERHETSSYMBOL: Indikerer **FARE**, **ADVARSEL** eller **FORSIKTIG**. Kan brukes sammen med andre symboler eller piktogrammer.

⚠ ADVARSEL: Bruk av hvilke som helst elektroverktøy kan føre til at fremmedlegemer blir kastet mot øynene, og dette kan føre til alvorlig øyeskader. Før du begynner å bruke elektroverktøyet, skal du alltid bruke vernebriller eller vernebriller med sidebeskyttelse, og en full ansiktsskjerm der det trengs. Vi anbefaler en Wide Vision Safety Mask til bruk over briller, eller standard vernebriller med sidebeskyttelse.

SIKKERHETSINSTRUKSJONER

Denne siden viser og beskriver sikkerhetssymboler som finnes på produktet. Les, forstå og følg alle instruksjoner på maskinen før begynner montering og bruk.

	Sikkerhetsvarsel	Forsiktighetsregler som har med sikkerheten din å gjøre.
	Bruk vernebriller	Bruk alltid vernebriller eller vernebriller med sidebeskyttelse, og full ansiktsskjerm når du bruker dette produktet.
	ADVARSEL: Les brukermanualen.	For å redusere risikoen for skader, må brukeren lese og forstå bruksanvisningen før produktet brukes.
	Pass deg for skarpe blader.	Bladene fortsetter å rotere etter at motoren er slått av – fjern deaktiveringsenheten før vedlikehold. Slå av og fjern den avtagbare batteripakken (eller deaktiver enheten) før justering eller rengjøring.
	Hold tilskuere borte.	Sørg for at andre mennesker og kjøledyr er minst 30m unna klipperen når den er i bruk.
	Klasse II konstruksjon	Dobbeltisolert konstruksjon.
IPX4	IP-symbol	Beskyttelse mot inntrengning av vann, grad 4
V	Volt	Spenning
A	Ampere	Strøm
Hz	Hertz	Frekvens (sykluser per sekund)
W	Watt	Effekt
min	Minutter	Klokkeslett
	Vekselstrøm	Typen spenning
	Likestrøm	Type eller karakteristikk for spenningen
n_0	Hastighet uten last	Rotasjons hastighet, uten last
... /min	Pr. minutt	Omdreining pr. minutt

NO



SIKKERHETSREGLER FOR TRÅDLØS GRESSKLIPPER

FARE: Denne maskinen ble bygget for å brukes i henhold til reglene for sikker drift som finnes i denne bruksanvisningen. Som med alle typer elektroutstyr, kan uforsiktighet eller feil fra operatørens side føre til alvorlig skade. Denne maskinen er i stand til å skade hender og føtter, og kaste ut gjenstander. Å ikke følge sikkerhetsinstruksene til fulle kan resultere i alvorlige skader eller død.

ADVARSEL: Når du bruker trådløse gressklippere, må du alltid følge grunnleggende sikkerhetsregler for å redusere risikoen for brann, elektrisk støt og personskade.

VIKTIG

LES NØYE FØR BRUK. BEHOLD FOR SENERE BRUK.

**SIKKERHETSREGLER FOR TRÅDLØSE GRESSKLIPPERE:
FORSIKTIG – IKKE RØR ROTERENDE BLAD!**

TRENING

- Les instruksene nøye. Vær fortløig med betjeningsinstrumentene og riktig bruk av produktet.
- Du skal aldri tillate barn eller personer som ikke er kjent med disse instruksene å bruke produktet. Lokale bestemmelser kan begrense alderen på operatøren.
- Aldri klipp mens personer, spesielt barn eller kjæledyr er i nærheten.
- Operatøren er ansvarlig for skade som skjer andre folk eller annens eiendom.

FORBEREDELSE

- Du skal alltid ha på deg kraftig fottøy og lange bukser mens du klipper.
- Ikke bruk produktet når du er barbert eller bruker åpne sandaler. Unngå å bruke klær som er løstsittende eller som har hengende snorer eller bånd.
- Kontroller området der maskinen skal brukes nøye, og fjern alle steiner, pinner, tråder, bein og andre fremmedlegemer.
- Før bruk skal du alltid kontrollere visuelt at knivene, knivboltene og knivkomponenter ikke er slitte eller ødelagte. Bytt ut slitte eller ødelagte kniver og bolter i sett for å opprettholde balansen. Skadede eller uleselige etiketter.

DRIFT

- Klipp kun i dagslys eller med god kunstig belysning.
- Unngå å bruke apparatet i vått gress, når det er mulig.

- Vær alltid sikker på at du har fotfeste i bakker.
- Gå, løp aldri.
- Ved bruk av klippere med hjul, skal man klippe på tvers i bakker; aldri opp og ned.
- Utvis ekstrem forsiktighet når du endrer retning i skråninger.
- Ikke klipp i for bratte bakker.
- Vær ekstremt forsiktig når du rygger eller trekker produktet mot deg.
- Stopp blad(ene) hvis apparatet må vippe for transport når du krysser overflater annet enn gress, og ved transport av apparatet til og fra området som skal klippes.
- Bruk aldri apparatet med defekte vern eller skjerm, eller hvis sikkerhetsutstyr, for eksempel deflektorer og/eller gressoppsamlere, ikke er på plass.
- Slå på motoren i henhold til instruksjonene, og med føttene godt unna blad(er).
- Ikke vipp apparatet når du slår på motoren, bortsett fra hvis apparatet må vippe for å starte det. I slike tilfeller må du ikke vippe det mer enn absolutt nødvendig, og løfte kun den delen som vender bort fra operatøren. Pass alltid på at begge hender er i driftsstilling før maskinen senkes til bakken.
- Stå ikke foran utkastingsåpningene når maskinen startes.
- Ikke plasser hender eller føtter nær eller under roterende deler. Hold deg alltid unna utkasteråpningen ved bruk av klippere med roterende blader.
- Løft aldri opp eller bær produktet mens motoren er i gang.
- Slå av og fjern den avtagbare batteripakken (eller deaktiveringsenheten) og sørg for at alle bevegelige deler har stoppet helt før justering eller rengjøring:
 - Når du forlater maskinen;
 - Før du fjerner en blokkering og rensker rennen;
 - Før du sjekker, rengjør eller arbeider på produktet;
 - Etter du støter på et fremmedlegeme. Inspiser produktet for skader og utfør reparasjoner som nødvendig.
- Hvis apparatet begynner å vibrere unormalt (sjekk umiddelbart):
 - Inspiser for skader;
 - Bytt eller reparere eventuelle skadede deler;
 - Se etter og stram eventuelle løse deler.

NO

VEDLIKEHOLD OG LAGRING

- Vær forsiktig når du justerer maskinen, slik at fingrene ikke blir sittende fast mellom bevegelige blader og de faste delene av produktet.
- Hold alle mutrer, bolter og skruer stramme for å sikre at produktet er i sikker brukstilstand.
- Kontroller oppsamleren med jevne mellomrom for slitasje eller forringelse.
- Skift ut slitte og ødelagte deler for sikkerhet.
- Ved service på bladene må man være klar over at selv om strømforsyningen er slått av, kan bladene fortsatt flyttes på.
- For rotasjonsplenklippere skal det sikres at nye kuttedeler er av riktig type.

PERSONLIG SIKKERHET

Det kan skje tragiske ulykker dersom brukeren ikke er på vakt når det er barn i nærheten. Barn blir ofte tiltrukket av klipperen og klippingen. De forstår ikke farene. Stol aldri på at barna holder seg i ro der du så dem sist.

- Hold barn borte fra bevegelsesområdet og under nøye overvåking av en annen ansvarlig voksen person annen enn operatøren.
- Vær på vakt og slå av klipperen hvis det kommer barn inn i området.
- Vær ekstremt forsiktig når du nærmer deg blinde hjørner, døråpninger, busker, trær eller andre gjenstander som kan hindre sikten og oppdagelse av barn som kan kolliderer med klipperen.
- Barn bør være under tilsyn for å sikre at de ikke leker med klipperen.
- Slå alltid klipperen av når du tar ut batteripakken fra verktøyet. Stopp blad(ene) hvis apparatet må vippes for transport når du krysser overflater annet enn gress, og ved transport av apparatet til og fra området som skal klippes.

DRIFT

VANLIG BRUK:

- Les denne bruksanvisningen nøye i sin helhet før du prøver å sette sammen denne maskinen. Les, forstå og følg alle instruksjoner på maskinen eller i manualen før bruk. Gjør deg helt kjent med kontrollene og riktig bruk av denne maskinen før du bruker den. Oppbevar denne håndboken på et trygt sted for fremtidig og regelmessig referanse, og for bestilling av reservedeler.
- Bruk riktig produkt – ikke bruk gressklipperen til jobber som den ikke er laget for.

- Ikke strekk deg for langt – pass på å ha skikkelig fotfeste og balanse til enhver tid.
- Objekter som treffes av gressklipperblader kan forårsake alvorlige skader på personer. Plenen bør alltid undersøkes nøye og ryddes for alle gjenstander før hver klipping.
- Før og under kjøring i revers skal du se bakover og ned for kontrollere at det ikke er småbarn eller andre personer i området.
- Denne maskinen er ikke et leketøy. Derfor skal man alltid være ekstremt forsiktig. Enheten din har blitt laget for ett formål: å klippe gress. Ikke bruk til noen annen ting.
- Ikke tving gressklipperen – den vil gjøre jobben bedre og sikrere i den hastigheten som den er konstruert for.
- Før bruk skal du alltid kontrollere visuelt at knivene, knivboltene og knivkomponenter ikke er slitte eller ødelagte. Skift ut slitte eller skadde blader, bolter og andre komponenter samtidig som balansen beholdes. Skadede eller uleselige etiketter.
- Vær ekstremt forsiktig når du rygger eller trekker produktet mot deg.
- Undersøk nøye området der utstyret skal benyttes. Fjern alle steiner, pinner, tråder, leker og andre fremmedlegemer som kan snubles i eller plukkes opp og kastes ut av bladet. Gjenstander som kastes ut kan føre til alvorlig personskade. Planlegg klippemønstret for å unngå at materialet kastes mot veier, fortau, tilskuere og lignende. Unngå også utkasting av materialer mot vegger eller hindringer, som kan forårsake at utladet materiale spretter tilbake mot operatøren.
- For å unngå bladkontakt eller skade fra gjenstander som slynges ut, skal brukeren holde seg i sonen bak håndtakene og holde barn, tilskuere, hjelpere og kjæledyr minst 30m fra klipperen mens den er i bruk. Stopp maskinen hvis noen kommer inn i området.
- Bruk alltid vernebriller under drift og ved utføring av justering eller reparasjon, for å beskytte øynene. Gjenstander som slynges ut og spretter tilbake kan forårsake alvorlig skade på øynene. Alltid bruk ansikts- eller støvmaske hvis arbeidet er støvete.
- Kle deg riktig – Ikke bruk løstsittende klær eller smykker. Disse kan sette seg fast i bevegelige deler. Bruk av gummihansker og fottøy anbefales når du arbeider utendørs. Bruk solide, grovsålede arbeidssko, og tettsittende bukser og skjorter. Skjorter og bukser som dekker armer og ben, og vernesko anbefales. Aldri bruk denne maskinen i bare føtter, sandaler, eller med glatte eller lette (f.eks lerret) sko.

NO

- Ikke plasser hender eller føtter nær eller under klippeaggregatet. Kontakt med bladet kan skade hender og føtter.
- Manglende eller skadet utløpsdeksel kan føre til bladkontakt eller skader fra gjenstander som slynges ut.
- Mange skader oppstår som et resultat av at gressklipperen trekkes over foten ved fall, på grunn av at man glir eller snubler. Ikke hold på klipperen hvis du faller; slipp håndtaket umiddelbart.
- Trekk aldri klipperen bakover mot deg mens du går. Hvis du må rygge klipperen bort fra en vegg eller hindring, ser du først ned og bakover for å unngå å snuble, og deretter gjør du følgende:
 - Ta et steg tilbake fra klipperen slik at armene dine er helt strukket ut.
 - Vær sikker på at du har god balanse og fotfeste.
 - Trekk klipperen sakte bakover, ikke mer enn halvveis mot deg.
 - Gjenta disse trinnene etter behov.
- Ikke bruk klipperen hvis du er påvirket av alkohol eller medikamenter.
- Bruk aldri apparatet med defekte vern eller skjærmer, eller hvis sikkerhetsstyr, for eksempel deflektorer og/eller gressoppsamlere, ikke er på plass.
- Vær på vakt – følg med på det du gjør. Bruk sunn fornuft. Ikke bruk gressklipperen når du er trett.
- Motor-/bladspaken er en sikkerhetsanordning. Forsøk aldri å omgå denne funksjonen. Gjør du det kan sikkerhetsanordningen bli virkningsløs, og føre til personskaade gjennom kontakt med det roterende bladet. Motor-/bladspaken må kunne flyttes lett i begge retninger, og automatisk tilbake til utkoplet stilling når den slippes.
- Unngå farlige miljøer – ikke bruk gressklippere på fuktige eller våte steder.
- Må ikke brukes i regn.
- Vær alltid sikker på at du har fotfeste. Å gli og falle kan føre til alvorlige personskaader. Hvis du føler at du mister fotfestet, slipp motor-/bladkontrollspaken umiddelbart, slik at bladet slutter å rotere i løpet av tre sekunder.
- Stopp bladet når du krysser grusveier, stier eller veier.
- Hvis utstyret begynner å vibrere unormalt, må motoren stoppes og sjekkes umiddelbart, for å finne årsaken. Vibrasjoner er vanligvis en advarsel om at noe er galt.
 - Inspiser for skader;
 - Bytt eller reparer eventuelle brukerutskiftbare, skadede deler;
 - Se etter og stram eventuelle løse deler.
- Bruk aldri gressklipperen uten riktig skjærmer montert, samt utløpsdeksel, gressoppsamler, bioklipp-innsats, sideutkast, motor-/bladspaker og andre sikkerhetsanordninger på plass og

fungerende. Bruk aldri gressklipperen med skadede sikkerhetsanordninger. Unnlattelse av å gjøre dette kan resultere i personskaade.

- Hvis situasjoner oppstår som ikke er dekket i denne håndboken, må du utvise forsiktighet og god dømmekraft. Kontakt EGOs kundeservice for å få hjelp.
- Skal bare brukes med batteripakkene og laderne som er oppført nedenfor:

BATTERIPAKKE	LADER
BA1120E, BA2240E, BA2800, BA3360, BA4200	CH5500E, CH2100E

- Batteripakken må fjernes fra apparatet før det kasseres.
- Batteriet skal avhendes på en sikker måte.

BRUK I SKRÅNINGER:

Skråninger er en viktig faktor i forbindelse med skli- og fallulykker som kan resultere i alvorlig skade. Vær alltid sikker på at du har fotfeste i bakker. Bruk i skråninger krever ekstra forsiktighet. Hvis du føler deg usikker i en skråning, skal den ikke klippes.

Gjør:

- Klipp på tvers i bakker; aldri opp og ned. Utvis ekstrem forsiktighet når du endrer retning i skråninger.
- Se etter hull, hjulspor, steiner, skjulte objekter eller støt som kan gjøre at du sklir eller snubler. Høyt gress kan skjule hindringer.

Ikke:

- Ikke klipp nær stup, grøfter eller fyllinger; du kan miste fotfestet eller balansen.
- Ikke klipp skråninger som er brattere enn 15 grader.
- Ikke slå vått gress. Ustabilt fotfeste kan føre til at man glir.

SERVICE

⚠ ADVARSEL: Gressoppsamlerens deler, utløpsdekslet, sideutkast, bioklipp-innsats og etterfølgende skjold er utsatt for slitasje og skader, noe som kan avdekke bevegelige deler eller la gjenstander kastes ut, og kan øke risikoen for skader. For sikkerhets skyld skal komponentene sjekkes ofte, og ødelagte komponenter byttes umiddelbart med identiske reservedeler, som er oppført i denne bruksanvisningen. Kontakt EGOs kundeservice eller ditt nærmeste EGO-servicenter. Reparasjoner eller utskiftninger skal utføres av en kvalifisert servicetekniker!

- Hvis klipperens innebygde overbelastningsvern ofte utløses, tar du kontakt EGOs kundeservice eller ditt nærmeste EGO-servicenter.



- Ikke vask klipperen med hageslange; unngå å få vann i motoren og i elektriske kontakter.
- Ta ut nøkkelen og oppbevar den deaktiverte gressklipperen innendørs når den ikke er i bruk. La motoren avkjøles før du lagrer den i et skap. Gressklipperen skal oppbevares i et tørt, høyt eller låst skap, og utilgjengelig for barn.
- Ved service skal det kun brukes identiske reservedeler som nevnt i denne bruksanvisningen. Bruk av deler som ikke oppfyller de opprinnelige utstyrsspesifikasjonene kan føre til feil i ytelsen og dårligere sikkerhet.
- Fjern eller koble fra batteripakken før det utføres service, renhold, eller materiale fjernes fra gressklipperen.
- Følg instruksjonene for smøring og bytte av tilbehør.
- Hold håndtakene tørre, rene og frie for olje og fett.
- For å redusere brannfaren skal motordekselet holdes fritt for gress, løv og rusk-oppybygging.
- Sjekk bladet og motorfesteboltene ofte, for å se at de er riktig strammet. Bladet skal også visuelt inspiseres for skade (for eksempel bøyning, sprekker og slitasje). Bladet skal bare byttes med et identisk, som oppført i denne bruksanvisningen.
- Vær nøye med vedlikeholdet av klipperen – hold klipperblader skarpe og rene for å sikre best mulig og trygg ytelse. Gressklipperens kniver er skarpe og kan kutte. Pakk inn bladet eller bruk hansker og utvis ekstra forsiktighet når du utfører service på det.
- Sikkerhetsutstyr skal aldri fjernes eller tukles med. Sjekk jevnlig at de fungerer riktig. Aldri gjør noe for å forstyrre den tiltenkte funksjonen til en sikkerhetsanordning, eller for å redusere beskyttelsen som en sikkerhetsanordning gir.
- Stopp alltid motoren før du foretar justeringer på hjul eller høydejustering av kuttingen.
- Etter å ha truffet på et fremmedlegeme, skal motoren stoppes, nøkkelen tas ut, og klipperen grundig inspiseres for eventuelle skader. Reparer skaden før du bruker gressklipperen.
- Vedlikehold eller erstatt sikkerhets- og instruksjonsskilt, når det blir nødvendig. Kontakt EGOs kundeservice eller ditt nærmeste EGO-servicesenter. Reparasjoner eller utskiftninger skal utføres av en kvalifisert servicetekniker!
- **TA VARE PÅ DISSE INSTRUKSJONENE.** Referer til dem ofte, og bruk dem til å instruere andre som kan komme til å bruke verktøyet. Hvis du låner ut verktøyet til noen andre, må de også få låne disse instruksjonene, for å hindre feilbruk av produktet og mulige skader.

BRUK AV OG OMSORG FOR BATTERI

- For å bevare naturressurser, skal batterier resirkuleres eller kastes på riktig måte. Dette produktet inneholder lithium-ion-batterier. Lokale eller nasjonale lover forbyr deponering av lithium-ion batterier i vanlig søppel. Ta kontakt med det lokale renholdsverket ditt for å få informasjon om tilgjengelige resirkulerings- og/eller deponeringsløsninger.
- Ved fjerning av batteripakken for avhending eller resirkulering, dekkes batteripakkens terminaler med tykk tape. Ikke forsøk å ødelegge eller demontere batteripakken, eller fjerne noen av komponentene. Lithium-ion batterier må resirkuleres eller avhendes på riktig måte. Terminaler må aldri berøres med metallgjenstander og/eller kroppsdelene, da det kan føre til kortslutning. Holdes vekk fra barn. Hvis du ikke følger disse advarslene, kan det føre til brann og/eller alvorlig personskade.
- **UNDER SKADELIGE FORHOLD, KAN VÆSKE KASTES UT FRA BATTERIET. UNNGÅ KONTAKT. HVIS KONTAKT OPPSTÅR VED UHELL, SKYLL MED VANN. HVIS MAN FÅR VÆSKE I ØYNE, SKAL DET I TILLEGG SØKES MEDISINSK HJELP.** Væske som blir kastet ut av batteriet kan forårsake irritasjon eller brannskade.

SPESIFIKASJONER

Modellnummer	LM2010E	LM2010E-SP
Selvgangssystem	Nei	Ja
Spenning	56 V	56 V
Hastighet uten last	3150 /min	3150 /min
Klippehøyde	25-95 mm	25-95 mm
Klippehøyde-innstillinger	6	6
Dekkestørrelse	51 cm	51 cm
Klippebredde	50 cm	50 cm
Gressposevolum	60 L	60 L
Klipperens vekt (uten batteripakke)	25,1 kg	28,1 kg
Bladmodell	AB2001	AB2001
Målt lydeffektnivå L_{WA}	94 dB(A)	94,32 dB(A)
Lydtryknivå ved brukerens øre L_{PA} $K=2,5$ dB(A)	82,5 dB(A)	85,6 dB(A)
Garantert lydeffektnivå L_{WA} (i henhold til 2000/14/EC)	96 dB(A)	96 dB(A)

NO

Vibrasjon a_h , K=1,5 m/s ²	Venstre håndtak	3,65 m/s ²	1,08 m/s ²
	Høyre håndtak	1,64 m/s ²	0,88 m/s ²
Bladbrems		Ja	Ja

- Den deklarte totale vibrasjonsverdien er målt i overensstemmelse med en standard testmetode, og kan brukes til å sammenligne ett verktøy med et annet;
- Den deklarte totale vibrasjonsverdien kan også brukes i en foreløpig vurdering av eksponering.

MERK: Vibrasjoner under faktisk bruk av elektroverktøyet kan variere fra den opplyste verdien der verktøyet brukes; For å beskytte brukeren, skal det brukes hansker og hørselsvern under de faktiske bruksforholdene.

PAKKELISTE

NAVN PÅ DEL	MENGDE
Gressklipper	1
Gressoppsamler	1
Gressoppsamler-ramme	1
Bioklipp-innsats	1
Sideutløpsrenne	1
Sikkerhetsnøkkel	2
Bruksanvisning	1

NO

BESKRIVELSE

KJENN KLIPPEREN DIN (Fig. A og B og C og D og E)

- Selvgående utløser
- Håndtak
- Dødmannsknapp (bryterspak)
- Bryterknapp
- Gressoppsamler
- Hurtigjusteringsknott
- Justeringsspak for klippehøyde
- Bakhjul
- Sideutløpsrenne
- Sideutløpsdør
- Klippeenhet
- LED-frontlykter
- Forhjul
- Batteripakkedeksel
- Bakhåndtak

- Bakre utløpsdør
- Spak for selvgående hastighet-kontroll
- Etterslepene skjerm
- Sikkerhetsnøkkelspor
- Batteriutløsningsknapp
- Bryterknapp for LED-kjørellys
- Strømindikator på klipperen
- Jorddekkainnsats
- Sideutløpsrenne

DRIFT

MONTERING AV GRESSOPPSAMLER

- Skiv gressoppsamleren på rammen (fig. F).
- Monter de øvre klipsene på rammen (fig. G), og deretter settes de to sideklipsene sammen. Monter den nederste klipsen sist.
- Den fullstendig monterte gressoppsamleren vises i fig. H.

JUSTERING AV DET SAMMENLEGGBARE HÅNDTAKET

⚠ ADVARSEL: Ikke prøv å starte klipperen før håndtaket er låst i en av de tre forhåndsinnstilte driftsposisjonene (ØVRE DRIFTSPOSISJON, MIDTRE DRIFTSPOSISJON og NEDRE DRIFTSPOSISJON).

Gressklipperen leveres med håndtak i den kompakte, LÅSTE LAGRINGSSTILLINGEN (Fig. I).

- Trekk ut de to hurtigjusteringsknottene og vri 90° for å frigjøre håndtaket fra LÅST LAGRING-posisjon.
- Løft håndtaket. Dreie håndtaket forsiktig bakover til håndtaket når hvilken som helst av de tre forskjellige stillingene som vises i fig. J. Vri bryterne 90° til du hører og føler at låsepinnen setter seg i riktig posisjon.

Fig. J delebeskrivelse se nedenfor:

J-1	Øvre driftsposisjon
J-2	Midtre driftsposisjon
J-3	Nedre driftsposisjon
J-4	Låst lagring-posisjon

MERK: De to hurtigjusteringsknottene må være i samme høyde under justeringen, slik at de kan settes i stilling samtidig.

FESTE/FJERNE GRESSOPPSAMLER/BIOKLIPP-INNSATS

⚠ ADVARSEL: Det skal aldri noen gang foretas justeringer på gressklipperen uten først at motoren først stoppes og sikkerhetsnøkkelen fjernes, og deretter må bladet slutte å rotere.

MERK: Fest et av tilbehørene på gressklipperen før klippingen startes.

■ **Feste/fjerne gressoppsamler (fig. K)**

Juster håndtaket til passende stilling. Løft den bakre utslippsdøren og hekk gressoppsamleren på vippestangen. For å fjerne den, er det bare å løfte gressoppsamleren opp og ut av vippestangen. Til slutt slippes den bakre utslippsdøren.

MERK: Fjern den forhåndsinstallerte bioklipp-innsatsen fra klipperen før du fester gressoppsamleren til klipperen.

■ **Feste/fjerne bioklipp-innsatsen (fig. L)**

Løft den bakre utslippsdøren og sett inn bioklipp-innsatsen i klipperen. For å fjerne den, er det bare å dra den ut. Til slutt slippes den bakre utslippsdøren.

■ **Feste/fjerne sideutkastrenne (fig. M)**

Løft sideutkast-døren. Juster sporet til utkastrennen med knotten til utkast-døren og slipp sideutkast-døren forsiktig for å få den til å rotere rundt vippestangen til den hviler stødig på utkasterrennen. For å fjerne den, løft sideutkast-døren, løft sideutkastrennen opp og av monteringsknotten til døren.

Fig. M delebeskrivelse, se nedenfor:

M-1	Sideutkast-dør
M-2	Monteringsknott
M-3	Monteringsspor
M-4	Sideutkastrenne

■ **JUSTERING AV KLIPPEHØYDE (fig. N)**

⚠ ADVARSEL: Hold føttene borte fra aggregatet når du justerer høyden. Klipperen kan stilles inn til 6 klippehøyder mellom 20 mm og 90 mm. Velg riktig klippehøyde i henhold til typen gress og forholdene i gresset.

MERK: Ved flytting av verktøyet, må klippehøyden justeres til posisjon 3 eller høyere. Unnlattelse av å gjøre det, kan føre til skade på bladet.

■ **FESTE/FJERNE BATTERIPAKKEN (fig. O)**

LAD OPP FØR FØRSTE GANGS BRUK.

⚠ ADVARSEL: Hvis deler er ødelagte eller mangler, må du ikke forsøke å feste batteripakken på klipperen eller betjene klipperen før de ødelagte eller manglende delene blir byttet. Hvis du ikke gjør det, kan det føre til alvorlig skade.

■ **Festing**

Skyv batteripakken inn i batterirommet til du hører et «klikk».

■ **Løsning**

Trykk inn batteriutløserknappen i batterirommet.

Fig. O delebeskrivelse se nedenfor:

0-1	Sikkerhetsnøkkelspor
0-2	Sikkerhetsnøkkel
0-3	Batteriutløsningsknapp

MERK: Sørg for at låsen på klipperen klikker på plass og at batteripakken er festet til klipperen før du begynner.

START/STOPP AV KLIPPEREN

⚠ ADVARSEL: Driften av enhver gressklipper kan resultere i at fremmedlegemer blir kastet mot dine eller andres øyne, noe som kan skade øynene alvorlig. Bruk alltid vernebriller når du bruker gressklipperen, eller mens du utfører justeringer eller reparasjoner på den.

⚠ ADVARSEL: Sørg for at andre mennesker og kjæledyr er minst 30m unna Klipperen når den er i bruk.

⚠ ADVARSEL: Bladet vil fortsette å rotere i noen sekunder etter at klipperen slås av. La motoren/bladet slutte å rotere før du starter klipperen på nytt. Ikke slå klipperen raskt av og på.

SIKERHETSNØKKEL

For å hindre utilsiktet oppstart eller uautorisert bruk av den batteridrevne gressklipperen din, har en avtagbar sikkerhetsnøkkel blitt innlemmet i utformingen av klipperen. Klipperen vil bli fullstendig deaktivert når sikkerhetsnøkkelen fjernes.

⚠ FARE: Roterende blader kan forårsake alvorlige skader. For å unngå alvorlig personskaade, skal sikkerhetsnøkkelen fjernes når klipperen er uten tilsyn, samt ved justering, rengjøring, vedlikehold, transport, løfting eller lagring av klipperen.

Start (Fig. Q)

- 1) Fest batteripakken til klipperen, sett inn sikkerhetsnøkkelen i nøkkelsporet og lukk batteridekselet (fig. O).
- 2) Se fig. P, og trykk ned sikkerhetsknappen.
- 3) Med sikkerhetsknappen nede, trekkes dødmannsknappen oppover for å møte håndtaket, og sikkerhetsknappen slippes.

NO

Stoppe (fig. R)

- 1) Slipp dødmannsknappen.
- 2) Den elektriske bremsen i den automatiske bremsemekanismen vil stoppe bladrotasjonen innen 3 sekunder etter at dødmannsknappen slippes.

VARIABEL HASTIGHETS SELVGANGSSYSTEM

LM2010E-SP Klipperen er utstyrt med et variabel hastighets selvgangssystem. Dette systemet er uavhengig av bladets på-/av-bryter, det er ikke avhengig av at bladene roterer.

For å betjene systemet uten bladrotasjon, trekkes selvgangsutløseren mot håndtaket.

For å slå selvgangssystemet av, slippes selvgangsutløseren.

Systemet har variabel hastighet. For å øke hastigheten, flyttes spaken for hastighetskontroll fremover. For å senke hastigheten, flyttes spaken for hastighetskontroll bakover (Fig. S).

Bruk med bladet roterende for kutting:

1. Start klipperen.
2. Mens du holder dødmannsknappen mot håndtaket med venstre hånd, trekkes selvgangsutløseren mot håndtaket med høyre hånd.
3. Hold både dødmannsknappen og selvgangsutløseren mot håndtaket samtidig med høyre hånd, og bruk venstre hånd til å justere hastighetskontrollspaken til ønsket hastighet.

NO

⚠ ADVARSEL: For å redusere risikoen for skader, skal man aldri forsøke å overstyre driften av bryteren eller selvgangssystemet. Selvkjøringen skal bare brukes for det tiltenkte formålet.

LED-ARBEIDSLYS PÅ KLIPPEREN (Fig. A-12)

Trykk på bryterknappen (fig. D-21) for å slå av/på LED-arbeidslyset foran batterirommet.

STRØMINDIKATOR PÅ KLIPPEREN (fig. D-22)

Klipperen er utstyrt med en strømindikator som indikerer ladestatus for batteripakken og arbeidsstatusen til klipperen. Strømindikatoren lyser når bladet roterer, eller når LED-arbeidslyset er slått på.

Strømindikator på klipperen	Betydning	Handling
Lyser grønt	Klipperen fungerer som den skal; batteriet har minst 15% lademengde	N/A
Lyser rødt	Lavt batterinivå	Stopp klipperen og lad batteriet
Blinker rødt	Batteriet er nesten tomt	Stopp klipperen og lad batteriet
Lyser oransje	Klipperen eller batteripakken er overopphetet	Ta ut batteriet fra klipperen, flytt det til skyggen og la avkjøles i minst 15 minutter
Blinkende oransje	Klipperen er overbelastet	Klipp saktere, eller hev kutteghøyden for å redusere belastningen

OVERBELASTNINGSVERN PÅ KLIPPER

For å unngå overbelastning, skal man ikke prøve å flytte for mye gress på en gang. Senk klippetempoet eller hev klippehøyden.

Gressklipperen har innebygget overbelastningsvern. Når klipperen er overbelastet, vil motoren stoppe og strømindikatoren på klipperen vil blinke oransje. Fjern batteripakken fra klipperen. Se etter om gresset har samlet seg opp under dekket, og fjern det om nødvendig. Deretter installeres batteripakken og klipperen startes.

HØY-TEMPERATUR BESKYTTELSE AV BATTERIET

Batteripakken vil generere varme under bruk. Varmen forsvinner saktere i varmt vær. Hvis batteritemperaturen overstiger 70 °C under drift, vil vernekretsen umiddelbart slå klipperen av for å beskytte batteriet mot skade. Strømindikatoren på klipperen vil lyse oransje. Slipp dødmannsknappen, vent helt til batteriet kjøles ned til ca 67 °C, og start deretter klipperen igjen.

VEDLIKEHOLD

⚠ ADVARSEL: For å unngå alvorlige personskader, skal sikkerhetsnøkkelen og batteripakken alltid tas ut av klipperen før rengjøring eller vedlikehold.

⚠ ADVARSEL: Ved service skal det bare brukes originale reservedeler. Bruk av andre deler kan forårsake farer eller skader på produktet. For sikre både sikkerheten og påliteligheten, skal alle reparasjoner utføres av en kvalifisert servicetekniker.

RENGJØRING AV KLIPPEREN

⚠ ADVARSEL: Ta alltid ut sikkerhetsnøkkelen og batteripakken ved service eller transport av klipperen.

Undersiden av klippeaggregatet skal rengjøres etter hver bruk, der gressrester, blader, skitt og annet rusk samler seg. Denne opphopningen er uønsket, ettersom det vil føre til rust og korrosjon på metalleder, og redusere klippe-effektiviteten.

Fjern eventuell opphopning av gress og blader på eller rundt drivakselen (kun LM2010E-SP) og motorviften (ikke bruk vann). Tørk klipperen ren med en fuktig klut.

FJERNING/INSTALLERING AV BLADET

⚠ ADVARSEL: Beskytt alltid hendene med tunge hansker eller ved å pakke inn klippekanter med filler eller andre materialer når det utføres vedlikehold på klipperblader.

■ Fjerning av bladet (fig. V).

MERK: Hvis boltene roterer sammen med motorakselen når du løser boltene, vrir du viften for hånd for å justere inn hullene i viften med hullene i bladet, og setter en metallstang inn gjennom hullene.

■ Installering av blad

Etter monteringssekvensen i fig. U, innrettes hullene i viften med hullene i bladet med vifteblad mot dekket og det trykte bladet siden mot utsiden (fig. W). Trekk deretter til bladet som vist i fig. X.

Fig. U og V delebeskrivelse, se nedenfor:

U-1	Vifte	U-5	Bolt
U-2	Indre flens	V-1	Stabilisator 1
U-3	Ytre flens	V-2	Stabilisator 2
U-4	Blad	V-3	14 mm fastnøkkel

MERK: Anbefalt dreiemoment for stramming av knivboltene er 49 til 59Nm.

LAGRING AV KLIPPEREN

- Fjern batteripakken fra klipperen og oppbevar den på et kjølig, tørt og rent sted. Ikke oppbevar den ved siden av etsende stoffer, så som gjødsel eller steinsalt.
- Smør klipperen.
- Oppbevar klipperen tildekket i et lukket rom, kjølig, tørt og utilgjengelig for barn.

- Ikke dekk til gressklipperen med solidide plastplater. Plastdeksler fanger fuktigheten rundt klipperen, noe som fører til rust og korrosjon.
- Klipperen kan lagres stående eller flatt (fig. Z).

⚠ ADVARSEL: Hvis klipperen begynner å velte fra oppreist stilling, kan klipperen få skader eller det kan føre til personsaker. Hold alltid klipperen stabil og utilgjengelig for barn når den er i oppreist stilling. Hvis mulig, legg den flatt ved lagring.

NO



Beskytt miljøet



Elektrisk utstyr, batterilader og batterier/ oppladbare batterier skal ikke kastes i husholdningsavfall.

Ifølge EU-forskrift 2012/19/EU, skal elektrisk og elektronisk utstyr som ikke lenger er brukbart, og som i henhold til EU-forskrift 2006/66/EC har defekte eller brukte batteripakker/batterier, samles inn separat.

Hvis elektrisk apparater kastes på søppelfyllinger, kan farlige stoffer lekke ut i grunnvannet og komme inn i næringskjeden, og forårsake skader på helse og velvære.

EU-SAMSVARSERKLÆRING



Vi, CHERVON EUROPE LTD.

47 CASTLE STREET, READING, RG1 7SR, UNITED KINGDOM

Erklærer at produktet **56V lithium-ion batteridrevet gressklipper LM2010E/LM2010E-SP** er i samsvar med de grunnleggende helse- og sikkerhetskravene i følgende direktiver:

2006/42/EC, 2004/108/EC, 2011/65/EU, 2000/14/EC

Standarder og tekniske spesifikasjoner som det refereres til:

EN 60335-1, EN 60335-2-77, EN 62233, EN 55014-1, EN 55014-2

	LM2010E	LM2010E-SP
Målt lydeffektnivå:	94 dB(A)	94,32 dB(A)
Garantert lydeffektnivå:	96 dB(A)	96 dB(A)

Peter Melrose
Visepresident for Chervon Europe

Dong Jianxun
Kvalitetsdirektør hos Chervon

** (Autorisert representant for CHERVON og ansvarlig for teknisk dokumentasjon)

01/01/2016

NO

FEILSØKING

⚠ ADVARSEL: Ta alltid ut sikkerhetsnøkkelen og batteripakken ved service eller transport av klipperen. Beskytt alltid hendene med tunge hansker eller ved å pakke inn klippekanter med filler eller andre materialer når det utføres vedlikehold på klipperblader.

PROBLEM	ÅRSAK	LØSNING
Klipperen starter ikke	<ul style="list-style-type: none"> ■ Batteripakken er tom. ■ Batteripakken er ikke montert på plass i batterirommet. ■ Batteriet eller klipperens kretser er for varme. (Strømindikatorene på klipperen vil lyse i oransje i 10 sekunder) ■ Sideskinnene er ikke trukket ut til maksimal lengde, og klemmene er ikke i låst posisjon. ■ Håndtaket er ikke innstilt til en av de to driftstillingene. ■ Klippeaggregatet er tilstoppet med gress og rusk. 	<ul style="list-style-type: none"> ■ Lad opp batteripakken. ■ Fest batteripakken i klipperen, og trykk den ned til du hører et klikk. ■ La batteripakken eller klipperen kjøle seg ned til temperaturen synker under 67 °C. ■ Strekk håndtaket helt ut, og lås begge klemmene. ■ Juster håndtaket til én av de to driftstillingene. ■ Rengjør klipperaggregatet og sørg for at bladet har bevegelsesfrihet.
Klipperen klipper ujevnt	<ul style="list-style-type: none"> ■ Bladet er sløvt. ■ Klippehøyden er ikke riktig innstilt. ■ Bladet er satt sammen feil. 	<ul style="list-style-type: none"> ■ Skjerp eller bytt bladet. ■ Hev dekket til en høyere klippehøyde. ■ Monter bladet igjen – se avsnittet «INSTALLASJON AV BLADET» i denne bruksanvisningen.
Klipperen stopper under klipping	<ul style="list-style-type: none"> ■ Batteripakken er tom. ■ Klipperen er i overbelastningstilstand. ■ Klippeaggregatet er tilstoppet med gress og rusk. ■ Batteriet eller klipperens kretser er for varme. (Strømindikatorene på klipperen vil lyse i oransje i 10 sekunder.) ■ Sideskinnen trekkes inn litt av skyvekraften på håndtaket. 	<ul style="list-style-type: none"> ■ Lad opp batteripakken. ■ Hev klippehøyden eller klipp saktere. ■ Fjern blokkeringer i klippeaggregatet. Hev klippehøyden, eller klipp et smalt område. ■ La batteripakken eller klipperen kjøle seg ned til temperaturen synker under 67 °C. ■ Lås opp klemmene. Strekk skinnene helt ut, og lås klemmene igjen.

NO



PROBLEM	ÅRSAK	LØSNING
Klipperen bioklipper ikke riktig	<ul style="list-style-type: none">■ Våte gressrester sitter fast på undersiden av aggregatet.■ Klipperen er satt til å klippe for mye gress på en gang.	<ul style="list-style-type: none">■ Vent til gresset tørker før du klipper det.■ Hev dekket til en høyere klippehøyde.
Det er overdrevne vibrasjoner	<ul style="list-style-type: none">■ Kuttebladet er løst.■ Kappeskiven er ubalansert.■ Kutterbladet er bøyd.■ Motorakselen er bøyd.	<ul style="list-style-type: none">■ Stram bladbolten.■ Balanser bladet i følge instruksjonene.■ Bytt knivbladet ut.■ Kontakt servicesenteret.
Håndtakets låselemmer kan ikke lukkes i posisjon.	<ul style="list-style-type: none">■ Sideskinnene ikke er trukket helt ut.	<ul style="list-style-type: none">■ Strekk sideskinnene helt ut, og lås klemmene.

GARANTI

EGO GARANTIREGLER

Besøk nettsiden egopowerplus.com for å se fullstendige vilkår og betingelser for EGO-garantireglene.

NO

ПРОЧИТАЙТЕ ВСЕ ИНСТРУКЦИИ!



ПРОЧИТАЙТЕ И РАЗБЕРИТЕСЬ С РУКОВОДСТВОМ ПОЛЬЗОВАТЕЛЯ

⚠ Остаточный риск! Людям с имплантированными электронными устройствами (например кардиостимуляторами) необходимо проконсультироваться с лечащим врачом, прежде чем использовать данное устройство. Использование электрооборудования в непосредственной близости от кардиостимулятора может стать причиной перебоев в работе или отказа кардиостимулятора.

⚠ ВНИМАНИЕ! Для обеспечения безопасности и надежной эксплуатации устройства все ремонтные работы должны выполняться силами квалифицированных специалистов.

Назначение и возможное неправильное использование: Устройство предназначено для скашивания травы только на участках частных домовладений. Оно не предназначено для скашивания слишком высокой, сухой или мокрой травы (например на пастбищах) и для измельчения листьев. Используйте устройство строго по назначению. Использование в любых других целях считается недопустимым.

ПРЕДУПРЕЖДАЮЩИЕ СИМВОЛЫ

Данные символы предназначены для привлечения вашего внимания к факторам риска. Рекомендуется ознакомиться и разобраться со всеми предупреждающими символами и пояснениями к ним. Предупреждающие символы не нейтрализуют факторы риска. Указания и предупреждения не могут заменить надлежащие меры предосторожности.

⚠ ВНИМАНИЕ! Прежде чем использовать устройство, прочитайте и разберитесь со всеми правилами техники безопасности, приведенным в данном руководстве пользователя, включая все предупреждающие символы, такие как «ОПАСНО», «ВНИМАНИЕ» и «ОСТОРОЖНО». Несоблюдение указаний, данных ниже, может привести к поражению электрическим током, возгоранию и/или серьезным травмам.

ЗНАЧЕНИЕ СИМВОЛОВ

СИМВОЛ ВОСКЛИЦАТЕЛЬНОГО ЗНАКА В ТРЕУГОЛЬНИКЕ: означает **ОПАСНО**, **ВНИМАНИЕ** или **ОСТОРОЖНО**. Может использоваться вместе с другими символами или пиктограммами.

⚠ ВНИМАНИЕ! Использование любых механических инструментов может привести к попаданию посторонних предметов в глаза, что может стать причиной серьезных травм. При работе с таким инструментом всегда надевайте защитные очки, очки с боковыми щитками или лицевые щитки. Поверх защитных очков рекомендуется надевать защитную маску Wide Vision или использовать стандартные защитные очки с боковыми щитками.

МЕРЫ ПРЕДОСТОРОЖНОСТИ

На данной странице описаны предупреждающие символы, которые могут присутствовать на изделии. Прочитайте и разберитесь со всеми инструкциями на устройстве и соблюдайте их при сборке и эксплуатации инструмента.

	Предупреждение	Правила техники безопасности.
	Используйте средства защиты глаз	При использовании устройства всегда надевайте защитные очки, защитные очки с боковыми щитками или лицевые щитки.
	ВНИМАНИЕ! См. руководство пользователя	Для снижения вероятности получения травм прежде чем работать с устройством, необходимо ознакомиться с руководством пользователя.
	Осторожно — острые ножи.	Ножи продолжают вращаться в течение некоторого времени после выключения двигателя. Перед проведением техобслуживания извлеките ключ. Перед настройкой или очисткой устройства отключите и снимите аккумуляторную батарею (или ключ).
	Не подпускайте к себе посторонних.	Следите за тем, чтобы люди и животные не приближались к работающей газонокосилке на расстоянии менее 30 метров.

RU

	Изделие класса II	Двойная изоляция.
IPX4	Класс IP	Защита от воды 4 класса
V	Вольты	Напряжение
A	Амперы	Сила тока
Hz	Герцы	Частота (циклов в секунду)
W	Ватты	Мощность
min	Минуты	Время
	Переменный ток	Тип тока
	Постоянный ток	Тип или характеристики тока
n_0	Холостой ход	Скорость вращения без нагрузки
... /min	В минуту	Оборотов в минуту

МЕРЫ ПРЕДОСТОРОЖНОСТИ ПРИ РАБОТЕ С БЕСПРОВОДНОЙ ГАЗОНОКОСИЛКОЙ

⚠ ОПАСНОСТЬ! При использовании данного устройства необходимо соблюдать меры предосторожности, указанные в настоящем руководстве. При работе с беспроводным оборудованием, как и с любым другим, ошибка оператора может стать причиной получения травм. Данное устройство может травмировать руки или ноги, а также выбрасывать предметы. Несоблюдение требований техники безопасности может привести к получению травм и смерти.

⚠ ВНИМАНИЕ! При использовании беспроводной газонокосилки необходимо соблюдать основные меры предосторожности для уменьшения вероятности возникновения пожара, поражения электрическим током и получения травм.

ВАЖНО!

ПЕРЕД ИСПОЛЬЗОВАНИЕМ ВНИМАТЕЛЬНО ПРОЧИТАЙТЕ ИНСТРУКЦИЮ. СОХРАНИТЕ РУКОВОДСТВО ДЛЯ СПРАВКИ.

МЕРЫ ПРЕДОСТОРОЖНОСТИ ПРИ РАБОТЕ С БЕСПРОВОДНОЙ ГАЗОНОКОСИЛКОЙ:

ОСТОРОЖНО — НЕ ТРОГАТЬ ВРАЩАЮЩИЙСЯ НОЖ!

ОБУЧЕНИЕ

- Внимательно прочитайте все инструкции. Ознакомьтесь с органами управления и назначением устройства.
- Не позволяйте детям и лицам, не прочитавшим настоящее руководство, использовать газонокосилку. Местное законодательство может ограничивать возраст оператора.
- Не используйте устройство, если рядом находятся люди, особенно дети, или животные.
- Оператор несет ответственность за несчастные случаи и опасность, которой устройство подвергает других людей или их собственность.

ПОДГОТОВКА

- Для работы с газонокосилкой надевайте прочную обувь и длинные брюки.
- Не работайте босиком или в открытых сандалиях. Избегайте свободной одежды и одежды с завязками или ремешками.
- Внимательно осмотрите рабочее пространство и уберите из него камни, палки, проволоку, кости и другие посторонние предметы.
- Перед использованием осмотрите нож, болты крепления и весь режущий узел на предмет повреждений. Для сохранения балансировки устройства заменяйте сразу все изношенные или поврежденные ножи и болты. Замените поврежденную или испорченную маркировку.

ЭКСПЛУАТАЦИЯ

- Работайте только в светлое время суток или при хорошем искусственном освещении.
- По возможности избегайте использовать устройство на мокрой траве.
- Будьте особенно внимательны при работе на склонах.
- Передвигайтесь шагом, не бегайте.
- При использовании ротационных газонокосилок на колесиках перемещайтесь поперек склона — никогда не косите траву сверху вниз и снизу вверх.
- Будьте особенно осторожны при смене направления на склоне.
- Не работайте на слишком крутых склонах.
- Будьте крайне внимательны при движении назад или когда вы тянете устройство на себя.
- Остановите нож(и), если устройство необходимо наклонить для транспортировки не по траве, а также при доставке устройства к месту работы и с него.

RU

- Не используйте устройства с поврежденными щитками и кожухами или без средств защиты, например без отражателей и/или мешков для сбора травы.
- Включите двигатель в соответствии с инструкцией. Не подставляйте ноги под нож(и).
- Не наклоняйте устройство при включении двигателя, если процедура запуска этого не требует. В противном случае приподнимайте устройство в сторону от себя и не выше, чем требуется. Прежде чем опустить устройство на землю, убедитесь, что обе руки находятся в рабочем положении.
- Не запускайте устройство, если вы стоите перед разгрузочным отверстием.
- Не подставляйте руки или ноги под вращающиеся детали и не держите их рядом. Всегда держитесь на достаточном расстоянии от разгрузочных отверстий ротационных газонокосилок.
- Не поднимайте и не переносите устройство при работающем двигателе.
- Отключите и снимите аккумуляторную батарею (или предохранительный ключ) и убедитесь, что все движущиеся детали полностью остановились, прежде чем проводить регулировку или очистку, а также:
 - Когда оставляете устройство без присмотра;
 - Если необходимо прочистить забитый желоб;
 - Перед проверкой, очисткой или ремонтом устройства;
 - После наезда на посторонний предмет. Осмотрите устройство на наличие повреждений и при необходимости отремонтируйте его.
- Если устройство начинает сильно вибрировать, немедленно выполните следующее:
 - Осмотрите устройство на предмет повреждений;
 - Замените или отремонтируйте поврежденные детали;
 - Проверьте и затяните ослабшие крепления.

ОБСЛУЖИВАНИЕ И ХРАНЕНИЕ

- При регулировке устройства соблюдайте осторожность. Следите, чтобы пальцы не застряли между движущимися и неподвижными деталями газонокосилки.
- Следите за затяжкой всех гаек, болтов и винтов — это обеспечит безопасную работу устройства.
- Регулярно проверяйте мешок для сбора травы на предмет износа.
- Заменяйте изношенные и поврежденные детали.

- При работе с ножами будьте внимательны: они могут двигаться даже при отключенном питании.
- На ротационных газонокосилках используйте только режущие насадки соответствующего типа.

БЕЗОПАСНОСТЬ

Недостаточная осторожность в присутствии детей может привести к плачевным последствиям. Детей часто привлекают газонокосилки. Они не понимают, насколько это может быть опасно. Помните, дети никогда не сидят на месте, и они могут очень быстро оказаться там, где вы не будете этого ожидать.

- Не подпускайте детей к работающей газонокосилке. За ними должны присматривать другие взрослые.
- Будьте готовы выключить газонокосилку, если в рабочей зоне окажется ребенок.
- Будьте крайне осторожны при работе в местах с ограниченным обзором: в проходах, возле деревьев, кустов и других объектов, которые могут помешать увидеть ребенка, бегущего к газонокосилке.
- Следите за тем, чтобы дети не играли с газонокосилкой.
- Всегда выключайте устройство, когда снимаете с него аккумуляторную батарею. Остановите нож(и), если устройство необходимо наклонить для транспортировки не по траве, а также при доставке устройства к месту работы и с него.

ЭКСПЛУАТАЦИЯ ОБЩИЕ УКАЗАНИЯ:

- Перед сборкой устройства внимательно прочитайте настоящее руководство пользователя. Перед работой прочитайте и разберитесь со всеми инструкциями на устройстве и в руководстве пользователя. Перед использованием газонокосилки разберитесь с функциями и назначением органов управления. Сохраните настоящее руководство для справки и заказа запчастей.
- Используйте подходящее для ваших задач оборудование — газонокосилки нужно использовать строго по назначению.
- Не тянитесь — следите за равновесием и смотрите, куда наступаете.
- Предметы, попадающие по нож газонокосилки, могут стать причиной серьезных травм. Перед работой внимательно осмотрите газон и уберите с него все посторонние предметы.
- Прежде чем двигаться назад, оглянитесь и посмотрите себе под ноги — сзади вас могут оказаться дети или другие люди.

RU

- Данный инструмент — не игрушка. Всегда соблюдайте осторожность. Устройство предназначено только для одной цели — скашивания травы. Не используйте его в других целях.
- Не перегружайте газонокосилку — она справится с работой лучше и безопаснее при соблюдении режимов нагрузки.
- Перед использованием осмотрите нож, болты крепления и весь режущий узел на предмет повреждений. Изношенные и поврежденные ножи, болты и любые другие детали заменяйте комплектом — это позволит сохранить балансировку устройства. Замените поврежденную или испорченную маркировку.
- Будьте крайне внимательны при движении назад или когда вы тянете устройство на себя.
- Тщательно осмотрите рабочую зону. Уберите все камни, палки, игрушки и другие посторонние предметы, о которые можно запнуться или которые устройство может выбросить. Выброшенные предметы могут стать причиной серьезных травм. Спланируйте работу таким образом, чтобы косилка не выбрасывала отходы на дорожки, тротуары, прохожих и т. д. Следите за тем, чтобы выбрасываемые отходы не попадали на стены и другие препятствия, так как выброшенные предметы могут отскочить и попасть в вас.
- Во избежание контакта с ножом и выброшенными предметами стойте строго на месте оператора за рукоятками и не подпускайте детей, помощников и животных к работающей газонокосилке ближе, чем на 30 м. Если кто-либо подойдет ближе, остановите устройство.
- Во время работы и при проведении регулировки или ремонта устройства надевайте защитные очки. Выброшенные предметы могут отскочить и травмировать глаза. При работе в пыльной среде обязательно надевайте маску или респиратор.
- Правильно выбирайте одежду: не надевайте свободную одежду и украшения. Они могут попасть во вращающиеся детали устройства. При работе на улице рекомендуется надевать резиновые перчатки и обувь. Надевайте прочные ботинки на жесткой подошве, облегчающие брюки и рубашки. Рубашки и брюки должны полностью закрывать руки и ноги. Кроме того, рекомендуется носить ботинки со стальным носком. Не работайте босиком, в сандалиях, в скользкой или легкой обуви (например в кедах).
- Не подставляйте руки и ноги под платформу газонокосилки, и не держите их рядом с вращающимися деталями. Так вы рискуете получить травмы рук или ног.
- Отсутствие крышек на разгрузочных отверстиях или использование поврежденных крышек может привести к травмам из-за контакта с ножом или от выброшенных предметов.
- Очень часто люди получают травмы, споткнувшись или поскользнувшись, когда газонокосилка проезжает им по ноге во время падения. Если вы падаете, не держитесь за газонокосилку — немедленно отпустите рукоятку.
- Не тяните газонокосилку на себя, когда идете. Если вам нужно отойти назад, чтобы отвести газонокосилку от стены или другого препятствия, сначала оглянитесь и посмотрите под ноги, чтобы не поскользнуться, а затем выполняйте следующие указания:
 - Отойдите от газонокосилки так, чтобы ваши руки полностью распрямились.
 - Убедитесь, что вы стоите в устойчивом положении.
 - Медленно потяните газонокосилку на себя, не больше чем на половину расстояния между вами.
 - Повторяйте данную процедуру столько раз, сколько потребуется.
- Не используйте газонокосилку в состоянии алкогольного или наркотического опьянения.
- Не используйте устройства с поврежденными щитками и кожухами или без средств защиты, например без отражателей и/или мешков для сбора травы.
- Будьте осторожны: следите за тем, что делаете. Будьте благоразумны. Не работайте, если вы устали.
- Скоба управления двигателем/ножом является защитным устройством. Не вмешивайтесь в ее работу. В противном случае она не сможет защитить вас, и вы рискуете получить травму от контакта с вращающимся ножом. Скоба управления двигателем/ножом должна свободно двигаться в обоих направлениях и автоматически возвращаться в исходное положение, если ее отпустить.
- Не работайте там, где это может быть опасно, например во влажных или сырых местах.
- Не используйте устройство в дождливую погоду.

- Следите за равновесием. Если вы поскользнетесь и упадете, высока вероятность получения серьезных травм. Если вы чувствуете, что потеряли равновесие, немедленно отпустите скобу управления двигателем/ножом. Нож остановится через три секунды.
- Отключайте нож при пересечении гравийных дорожек, тропинок и улиц.
- Если устройство начало сильно вибрировать, немедленно остановите двигатель и найдите причину. Как правило, наличие сильной вибрации говорит о проблеме.
 - Осмотрите устройство на предмет повреждений;
 - Замените или отремонтируйте поврежденные детали, если это возможно;
 - Проверьте и затяните ослабшие крепления.
- Не используйте газонокосилку, если задний щиток, крышка разгрузочного отверстия, мешок для травы, мульчирующая вставка, боковой разгрузочный желоб, скоба управления двигателем/ножом и другие защитные устройства неисправны или не установлены. Не используйте газонокосилку с поврежденными защитными устройствами. В противном случае велика вероятность получения травм.
- При возникновении ситуаций, не описанных в настоящем руководстве, соблюдайте осторожность и благоразумие. Свяжитесь с сервисной службой EGO для получения техподдержки.
- Используйте только аккумуляторные батареи и зарядные устройства, перечисленные ниже:

АККУМУЛЯТОРНАЯ БАТАРЕЯ	ЗАРЯДНОЕ УСТРОЙСТВО
BA1120E, BA2240E, BA2800, BA3360, BA4200	CH5500E, CH2100E

- Перед утилизацией с устройства необходимо снять батарею.
- Батареи следует утилизировать надлежащим образом.

Работа на склонах

На склоне легко можно поскользнуться и упасть, что может стать причиной серьезных травм. Будьте особенно внимательны при работе на склонах. Будьте особенно внимательны при работе на склонах. Не скашивайте траву на склоне, если вам неудобно на нем работать.

Рекомендации:

- Перемещайтесь поперек склона, а не вверх—вниз. Будьте особенно осторожны при смене направления на склоне.
- Берегитесь ям, выбоин, камней, скрытых предметов и кочек: вы можете запнуться об них. Препятствия могут быть незаметны из—за высокой травы.

Запрещается:

- Не скашивайте траву возле обрывов, канав и на берегах: вы можете потерять равновесие и упасть.
- Не работайте на уклонах круче 15 градусов.
- Не скашивайте мокрую траву. Вы можете поскользнуться.

ОБСЛУЖИВАНИЕ

⚠ ВНИМАНИЕ! Мешок для травы, крышка разгрузочного отверстия, боковой разгрузочный желоб, мульчирующая вставка и задний щиток изнашиваются, вследствие чего движущиеся детали могут оказаться открытыми и устройство может начать выбрасывать посторонние предметы, что создает риск получения травм. В целях безопасности проверяйте все компоненты и незамедлительно заменяйте поврежденные детали на аналогичные, как указано в настоящем руководстве. Свяжитесь с сервисной службой или с ближайшим сервисным центром EGO. Замена деталей и ремонтные работы должны производиться квалифицированными специалистами!

- Если встроенная система защиты от перегрузок стала срабатывать слишком часто, свяжитесь с сервисной службой или ближайшим сервисным центром EGO.
- Не мойте газонокосилку водой из шланга, не допускайте попадания воды в двигатель и на электрические компоненты.
- Если вы не используете газонокосилку, снимите с нее ключ и уберите устройство в помещение. Прежде чем убрать устройство на хранение в закрытом пространстве, дайте двигателю остыть. Газонокосилку следует хранить в сухом помещении (располагая высоко над полом, либо помещение должно закрываться на замок) вне досягаемости детей.
- При обслуживании устройства используйте только запчасти, указанные в настоящем руководстве. Использование деталей с другими характеристиками может привести к снижению эффективности работы и безопасности устройства.

RU

- Перед выполнением обслуживания, очистки, а равно перед удалением отходов из газонокосилки снимите или отключите батарею.
- Выполняйте указания по смазке и замене принадлежностей.
- Рукоятки должны быть сухими, на них не должно быть смазочных материалов.
- Во избежание возгорания следите за тем, чтобы на крышке мотора не скапливалась трава, листья и мусор.
- Регулярно проверяйте затяжку крепежных болтов на ноже и двигателе. Осматривайте нож на предмет повреждений (например изгибов, трещин и износа). Заменяйте ножи только на идентичные имеющимся (указаны в настоящем руководстве).
- Не забывайте ухаживать за газонокосилкой. Чтобы устройство работало эффективно и безопасно, нож должен быть острым и чистым. Ножи газонокосилки очень острые — не порежьтесь. Будьте осторожны: при работе с ножами их необходимо обернуть во что-нибудь или надеть перчатки.
- Не снимайте и не нарушайте работу защитных устройств. Регулярно проверяйте, правильно ли они работают. Не делайте ничего, что может помешать работе защитных устройств или снизить их эффективность.
- Прежде чем регулировать колеса или высоту среза, всегда останавливайте двигатель.
- При наезде на посторонний предмет остановите двигатель, выньте ключ из устройства и тщательно осмотрите газонокосилку на предмет повреждений. Прежде чем продолжать работу, отремонтируйте газонокосилку по необходимости.
- Следите за состоянием маркировки с инструкциями и заменяйте ее при необходимости. Свяжитесь с сервисной службой или с ближайшим сервисным центром EGO. Замена деталей и ремонтные работы должны производиться квалифицированными специалистами!
- **СОХРАНИТЕ ДАННОЕ РУКОВОДСТВО.** Обращайтесь к нему при необходимости и дайте ознакомиться всем, кто может использовать устройство. Если вы передаете кому-либо устройство, то во избежание неправильного использования и травм передайте вместе с ним и данное руководство пользователя.

ИСПОЛЬЗОВАНИЕ БАТАРЕИ И УХОД ЗА НЕЙ

- Надлежащая утилизация и переработка старых батарей помогает сберечь природные ресурсы. Изделие работает от литий-ионных аккумуляторных батарей. Местное и федеральное законодательство могут запрещать выбрасывать литий-ионные батареи вместе с бытовыми отходами. Для получения информации о возможности переработки и способах утилизации обратитесь в местную администрацию.
- После снятия батареи с устройства для переработки или утилизации заклейте его клеммы прочной изолентой. Не пытайтесь разобрать/разрушить корпус батареи или извлечь из нее какие-либо детали. Литий-ионные батареи необходимо перерабатывать или утилизировать надлежащим образом. Кроме того, не прикасайтесь к клеммам металлическими предметами и/или телом — это может привести к короткому замыканию. Храните батареи вне досягаемости детей. Несоблюдение данных требований безопасности может привести к возгоранию и/или серьезным травмам.
- **ПРИ ГРУБОМ ОБРАЩЕНИИ ИЗ БАТАРЕИ МОЖЕТ ВЫПЛЕСКИВАТЬСЯ ЖИДКОСТЬ — ИЗБЕГАЙТЕ КОНТАКТА С НЕЙ. В СЛУЧАЕ ПОПАДАНИЯ ЖИДКОСТИ НА КОЖУ СМОЙТЕ ЕЕ ВОДОЙ. В СЛУЧАЕ ПОПАДАНИЯ ЖИДКОСТИ В ГЛАЗА ОБРАТИТЕСЬ К ВРАЧУ.** Жидкость, находящаяся в батарее, может вызывать раздражение и ожоги.

ТЕХНИЧЕСКИЕ ХАРАКТЕРИСТИКИ

Номер модели	LM2010E	LM2010E-SP
Система механического привода	Нет	Да
Напряжение	56 В	56 В
Холостой ход	3150 /мин	3150 /мин
Высота среза	25-95 мм	25-95 мм
Положения высоты среза	6	6
Размер платформы	51 см	51 см
Ширина среза	50 см	50 см
Объем мешка для травы	60 л	60 л
Масса косилки (без аккумулятора)	25,1 кг	28,1 кг

Модель ножа	AB2001	AB2001	
Измеренный уровень звуковой мощности L_{WA}	94 дБ (А)	94,32 дБ (А)	
Уровень звукового давления на уровне уха оператора L_{PA} $K=2,5$ дБ (А)	82,5 дБ (А)	85,6 дБ (А)	
Гарантированный уровень звукового давления L_{WA} (в соответствии с 2000/14/ЕС)	96 дБ (А)	96 дБ (А)	
Вибрация a_{h1} $K=1,5$ м/с ²	Левая рукоятка	3.65 м/с ²	1.08 м/с ²
	Правая рукоятка	1.64 м/с ²	0.88 м/с ²
Тормоз ножа	Да	Да	

- Номинальный уровень вибрации был измерен в соответствии со стандартными методиками, и полученное значение можно использовать для сравнения инструментов между собой.
- Значение номинального уровня вибрации также можно использовать для оценки воздействия инструмента на оператора.

ОБРАТИТЕ ВНИМАНИЕ: фактический уровень вибрации во время использования устройства может отличаться от номинального. Оператору рекомендуется надевать перчатки и средства защиты органов слуха.

КОМПЛЕКТ ПОСТАВКИ

ДЕТАЛЬ	КОЛИЧЕСТВО
Газонокосилка	1
Мешок для травы	1
Рама мешка для травы	1
Мульчирующая вставка	1
Боковой разгрузочный желоб	1
Предохранительный ключ	2
Руководство пользователя	1

ОПИСАНИЕ

ЗНАКОМСТВО С ГАЗОНОКОСИЛКОЙ

(рис. А, В, С, D и E)

1. Скоба активации механического привода

2. Рукоятка
3. Скоба-выключатель
4. Выключатель
5. Мешок для травы
6. Барашек для быстрой регулировки
7. Рычаг регулировки высоты среза
8. Заднее колесо
9. Боковой разгрузочный желоб
10. Лючок бокового разгрузочного отверстия
11. Платформа газонокосилки
12. Светодиодные фары
13. Переднее колесо
14. Крышка аккумуляторного отсека
15. Задняя рукоятка
16. Лючок заднего разгрузочного отверстия
17. Рычаг регулировки скорости движения
18. Задний щиток
19. Сквжина для предохранительного ключа
20. Кнопка фиксатора батареи
21. Выключатель светодиодных фар
22. Индикатор питания газонокосилки
23. Мульчирующая вставка
24. Боковой разгрузочный желоб

ЭКСПЛУАТАЦИЯ

УСТАНОВКА МЕШКА ДЛЯ ТРАВЫ

- 1) Наденьте мешок для травы на раму (рис. F).
- 2) Установите на раму верхние зажимы (рис. G), а затем прикрепите два боковых зажима. Нижний зажим устанавливается в последнюю очередь.
- 3) Мешок для травы в собранном виде показан на рис. H.

РЕГУЛИРОВКА СКЛАДНОЙ РУКОЯТКИ

⚠ ВНИМАНИЕ! Не запускайте устройство, если рукоятка не зафиксирована в одном из трех рабочих положений (ВЕРХНЕМ, СРЕДНЕМ или НИЖНЕМ).

Газонокосилка поставляется с рукояткой, сложенной в ПОЛОЖЕНИЕ ДЛЯ КОМПАКТНОГО ХРАНЕНИЯ (рис. 1).

- 1) Вытяните два барашка для быстрой регулировки и поверните их на 90°, чтобы разложить рукоятку из ПОЛОЖЕНИЯ ДЛЯ КОМПАКТНОГО ХРАНЕНИЯ.

RU

- 2) Поднимите рукоятку. Плавно отведите рукоятку назад, пока она не окажется в одном из трех положений, показанных на рис. J. Поверните барашки на 90°. Вы должны услышать и почувствовать, как сработали фиксаторы.

См. описание деталей на рис. J ниже:

J-1	Верхнее рабочее положение
J-2	Среднее рабочее положение
J-3	Нижнее рабочее положение
J-4	Положение для компактного хранения

ОБРАТИТЕ ВНИМАНИЕ: оба барашка быстрой регулировки должны находиться на одной высоте, чтобы текущее положение рукоятки можно было зафиксировать ими одновременно.

УСТАНОВКА МЕШКА ДЛЯ ТРАВЫ/ МУЛЬЧИРУЮЩЕЙ ВСТАВКИ

⚠ ВНИМАНИЕ! Не проводите никаких работ на газонокосилке, пока двигатель не остановится. Извлеките из устройства предохранительный ключ и дождитесь, пока нож не остановится.

ОБРАТИТЕ ВНИМАНИЕ: перед началом работы следует установить на косилку одно из необходимых приспособлений.

■ Установка/снятие мешка для травы (рис. K)

Установите рукоятку в удобное рабочее положение. Поднимите лючок заднего разгрузочного отверстия и наденьте мешок для травы на поворотный стержень. Чтобы снять мешок, просто приподнимите его, и он снимется со стержня. Отпустите лючок заднего разгрузочного отверстия.

ОБРАТИТЕ ВНИМАНИЕ: прежде чем устанавливать на устройство мешок для травы, снимите установленную мульчирующую вставку.

■ Установка/снятие мульчирующей вставки (рис. L)

Поднимите лючок заднего разгрузочного отверстия и поместите мульчирующую вставку в устройство. Поднимите вставку, чтобы снять ее с устройства. Отпустите лючок заднего разгрузочного отверстия.

■ Установка/снятие бокового разгрузочного желоба (рис. M)

Поднимите лючок бокового разгрузочного отверстия. Совместите прорезь на боковом разгрузочном желобе с выступом на лючке и плавно отпустите ее, чтобы, повернувшись на шарнире, она плотно легла на разгрузочный желоб. Для снятия бокового разгрузочного желоба его нужно приподнять и снять с выступа лючка бокового разгрузочного отверстия.

См. описание деталей на рис. M ниже:

M-1	Лючок бокового разгрузочного отверстия
M-2	Выступ
M-3	Прорезь
M-4	Боковой разгрузочный желоб

РЕГУЛИРОВКА ВЫСОТЫ СРЕЗА (рис. N)

⚠ ВНИМАНИЕ! Не подставляйте ноги под платформу во время регулировки ее высоты. Можно выбрать один из 6 вариантов высоты среза от 20 до 90 мм. Выбирайте высоту среза исходя из типа и состояния травы.

ОБРАТИТЕ ВНИМАНИЕ: при перемещении устройства убедитесь, что высота среза стоит в положении 3 или выше. В противном случае можно повредить нож.

УСТАНОВКА СНЯТИЕ АККУМУЛЯТОРНОЙ БАТАРЕИ (рис. O)

ЗАРЯДИТЬ ПЕРЕД ПЕРВЫМ ИСПОЛЬЗОВАНИЕМ.

⚠ ВНИМАНИЕ! Не устанавливайте батарею на газонокосилку и не включайте устройство, если на нем неисправны или отсутствуют какие-либо детали — их необходимо отремонтировать или заменить. В противном случае велика вероятность получения травм.

■ Установка

Установите батарею в аккумуляторный отсек. Должен раздаваться щелчок.

■ Снятие

Нажмите на кнопку фиксатора батареи, находящуюся в отсеке.

См. описание деталей на рис. O ниже:

O-1	Скважина предохранительного ключа
O-2	Предохранительный ключ
O-3	Кнопка фиксатора батареи

ОБРАТИТЕ ВНИМАНИЕ: прежде чем приступать к работе, убедитесь, что фиксатор сработал и батарея надежно сидит на месте.

ЗАПУСК/ОСТАНОВКА ГАЗОНОКОСИЛКИ

⚠ ВНИМАНИЕ! Использование газонокосилки может привести к попаданию посторонних предметов в глаза, что может стать причиной серьезных травм. Перед использованием устройства, а также для проведения регулировки или ремонта обязательно надевайте защитные очки.

⚠ ВНИМАНИЕ! Следите за тем, чтобы люди и животные не приближались к работающей газонокосилке на расстояние менее 30 метров.

⚠ ВНИМАНИЕ! Нож продолжает вращаться в течение нескольких секунд после выключения газонокосилки. Дождитесь, пока двигатель/нож остановятся, прежде чем снова запускать устройство. Не нажимайте на кнопку включения/выключения несколько раз подряд.

ПРЕДОХРАНИТЕЛЬНЫЙ КЛЮЧ

Беспроводная газонокосилка оборудована предохранительным ключом для защиты от случайного или несанкционированного запуска. Если с устройства снят предохранительный ключ, оно не будет работать.

⚠ ОПАСНОСТЬ! Вращающийся нож может стать причиной серьезных травм. Во избежание травм всегда снимайте с устройства предохранительный ключ, если оставляете его без присмотра, а также при проведении регулировки, очистки, техобслуживания, при транспортировке и подъеме устройства, а кроме того, если вы убираете его на хранение.

Запуск (рис. Q)

- 1) Установите аккумуляторную батарею на газонокосилку, вставьте в устройство предохранительный ключ и закройте крышку аккумуляторного отсека (рис. O).
- 2) Нажмите на предохранительную кнопку, как показано на рис. P.
- 3) Удерживайте предохранительную кнопку нажатой и потяните за скобу-выключатель. Отпустите кнопку, когда скоба коснется рукоятки.

Остановка (рис. R)

- 1) Отпустите скобу.
- 2) Электрическая система автоматического торможения остановит нож через 3 секунды после того, как вы отпустите скобу.

СИСТЕМА МЕХАНИЧЕСКОГО ПРИВОДА С РЕГУЛИРОВКОЙ СКОРОСТИ (LM2010E-SP)

Газонокосилка LM2010E-SP оборудована системой механического привода с регулировкой скорости. Данная система никак не связана с выключателем ножа и не зависит от вращения последнего.

Чтобы использовать систему, не включая нож, нажмите на рычаг системы механического привода.

Чтобы остановить устройство, отпустите рычаг.

Скорость движения устройства можно регулировать. Для увеличения скорости передвиньте рычаг регулировки скорости движения вперед. Для уменьшения скорости передвиньте рычаг регулировки скорости движения назад (рис. S).

Кошение травы с помощью устройства

1. Включите газонокосилку.
2. Прижмите скобу-выключатель к рукоятке левой рукой, а скобу активации механического привода — правой.
3. Удерживайте скобу активации механического привода и скобу-выключатель прижатыми к рукоятке правой рукой, а левой рукой выберите нужную скорость движения с помощью рычага регулировки скорости.

⚠ ВНИМАНИЕ! Во избежание травм не вмешивайтесь в работу выключателя или системы механического привода. Используйте механический привод только по назначению.

СВЕТОДИОДНЫЕ ФАРЫ (рис A-12)

Нажмите на кнопку (рис. D-21), чтобы включить/выключить светодиодные фары, расположенные перед аккумуляторным отсеком.

ИНДИКАТОР ПИТАНИЯ (рис. D-22)

Газонокосилка оборудована индикатором питания, который отражает состояние устройства и показывает, когда батарея заряжается. Индикатор питания горит, когда вращается нож или включены светодиодные фары.

Индикатор питания газонокосилки	Значение	Действие
Светится зеленым	Газонокосилка работает нормально, заряд батареи выше 15%	Не требуется
Светится красным	Батарея разряжается	Остановите газонокосилку и зарядите батарею
Мигает красным	Батарея разряжена почти полностью	Остановите газонокосилку и зарядите батарею
Светится оранжевым	Перегрев газонокосилки или батареи	Снимите батарею с устройства, уберите ее в тень и дайте остыть в течение 15 минут

RU

Мигает оранжевым	Перегрузка газонокосилки	Снизьте скорость работы или увеличьте высоту среза, чтобы уменьшить нагрузку
------------------	--------------------------	--

ЗАЩИТА ГАЗОНОКОСИЛКИ ОТ ПЕРЕГРУЗКИ

Для защиты устройства от перегрузки старайтесь не скашивать очень много травы за один заход. Снизьте скорость движения и увеличьте высоту среза.

Газонокосилка оборудована встроенной системой защиты электрических компонентов от перегрузки. В случае перегрузки двигатель останавливается, а индикатор питания начинает мигать оранжевым светом. Снимите с устройства аккумулятор. Проверьте, не набилась ли трава под платформу и при необходимости очистите. Установите аккумулятор на место и запустите газонокосилку.

ЗАЩИТА БАТАРЕИ ОТ ПЕРЕГРЕВА

При работе батарея нагревается. В жаркую погоду тепло рассеивается плохо. Если во время работы температура батареи превышает 70°C, система защиты немедленно отключает газонокосилку, чтобы защитить ее от повреждения. Индикатор питания загорается оранжевым светом. Отпустите скобу-выключатель, дождитесь, пока батарея остынет примерно до 67°C, а затем продолжайте работу.

ТЕХОБСЛУЖИВАНИЕ

RU

⚠ ВНИМАНИЕ! Во избежание травм обязательно снимайте с устройства предохранительный ключ и аккумуляторную батарею, перед тем как проводить очистку или техобслуживание.

⚠ ВНИМАНИЕ! При проведении обслуживания используйте только идентичные запчасти. Использование других запчастей создает опасность получения травм и повреждения устройства. Для обеспечения безопасности и надежной эксплуатации устройства все ремонтные работы должны выполняться силами квалифицированных специалистов.

ОЧИСТКА ГАЗОНОКОСИЛКИ

⚠ ВНИМАНИЕ! Обязательно снимайте с устройства предохранительный ключ и аккумулятор перед проведением обслуживания или транспортировкой.

Нижнюю сторону платформы газонокосилки необходимо очищать после каждого использования, так как там скапливаются обрезки травы, листья и другой мусор. Из-за этого металлические детали могут начать ржаветь, что приведет к снижению эффективности работы газонокосилки.

Удалите скопления травы и листьев вокруг приводного вала (только устройства LM2010E-SP) и вентилятора двигателя (не используйте воду для этого). Протрите газонокосилку влажной тканью.

СНЯТИЕ/УСТАНОВКА НОЖА

⚠ ВНИМАНИЕ! Во время обслуживания ножей газонокосилки защищайте руки: надевайте прочные перчатки или оборачивайте режущие кромки ножа ветошью или другим материалом.

■ Снятие ножа (рис. V).

ОБРАТИТЕ ВНИМАНИЕ: если при раскручивании вал двигателя проворачивается вместе с болтом, поверните вентилятор вручную так, чтобы отверстия в нем совпали с отверстиями в ноже, а затем вставьте в них металлический стержень

■ Установка ножа

Выполняйте установку в последовательности, показанной на рис. U, так чтобы вентилятор был направлен к платформе, а нож — печатной стороной наружу. Совместите отверстия в вентиляторе с отверстиями в ноже (рис. W), а затем затяните нож, как показано на рис. X.

См. описание деталей на рис. U и V ниже:

U-1	Вентилятор	U-5	Болт
U-2	Внутренний фланец	V-1	Стабилизатор 1
U-3	Внешний фланец	V-2	Стабилизатор 2
U-4	Нож	V-3	Ключ на 14 мм

ОБРАТИТЕ ВНИМАНИЕ: рекомендованный момент затяжки болта составляет 49–59Нм.

ХРАНЕНИЕ ГАЗОНОКОСИЛКИ

- Снимите с газонокосилки батарею и уберите устройство на хранение в прохладное, чистое и сухое место. Не храните устройство рядом с веществами, вызывающими коррозию, например с удобрениями или каменной солью.
- Смажьте газонокосилку.
- Храните газонокосилку в закрытом, сухом и прохладном помещении вне досягаемости детей.
- Не накрывайте газонокосилку пластиком. Пластиковые чехлы не дают испаряться влаге, которая может вызвать коррозию.



- Устройство можно хранить как в горизонтальном, так и в вертикальном положении (рис. У).

⚠ ВНИМАНИЕ! Если устройство, стоящее в вертикальном положении, наклоняется, оно может упасть. Это влечет риск травм и поломки косилки. Если вы ставите устройство вертикально, следите за тем, чтобы оно стояло в устойчивом положении и чтобы дети не могли до него добраться. Старайтесь хранить устройство в горизонтальном положении, если это возможно.

Защита окружающей среды



Не выбрасывайте электроприборы, зарядные устройства и аккумуляторные батареи вместе с бытовыми отходами!

Неиспользуемое электрическое и электронное оборудование (в соответствии с законом ЕС 2012/19/EU), а также неисправные или разряженные аккумуляторные батареи (в соответствии с законом ЕС 2006/66/ЕС) должны утилизироваться отдельно от другого мусора.

При утилизации электроприборов на свалках и полигонах ТБО опасные вещества могут попасть в грунтовые воды, а следовательно и в пищу, что создает угрозу здоровью и благосостоянию людей.

ДЕКЛАРАЦИЯ СООТВЕТСТВИЯ ЕС

Мы, CHERVON EUROPE LTD.

47 CASTLE STREET, READING, RG1 7SR, UNITED KINGDOM

заявляем, что изделие «Беспроводная газонокосилка на литий-ионной батарее (56 В)» модели **LM2010E/LM2010E-SP** соответствует важнейшим требованиям к безопасности и здравоохранению, изложенным в следующих Директивах:

2006/42/ЕС, 2004/108/ЕС, 2011/65/EU, 2000/14/ЕС

Применяемые стандарты и технические характеристики:

EN 60335-1, EN 60335-2-77, EN 62233, EN 55014-1, EN 55014-2

	LM2010E	LM2010E-SP
Измеренный уровень звуковой мощности:	94 дБ (А)	94,32 дБ (А)
Гарантированный уровень звуковой мощности:	96 дБ (А)	96 дБ (А)

Peter Melrose
Заместитель директора
Chervon Europe

Dong Jianxun
Руководитель отдела
технического контроля Chervon

* (уполномоченный представитель CHERVON и лиц, ответственное за техническую документацию)

01/01/2016

RU

ПОИСК И УСТРАНЕНИЕ НЕИСПРАВНОСТЕЙ

⚠ ВНИМАНИЕ! Перед проведением обслуживания или транспортировкой устройства обязательно извлекайте предохранительный ключ и батарею. Во время обслуживания ножей газонокосилки защищайте руки: надевайте прочные перчатки или оборачивайте режущие кромки ножа ветошью или другим материалом.

ПРОБЛЕМА	ПРИЧИНА	РЕШЕНИЕ
Газонокосилка не запускается	<ul style="list-style-type: none"> ■ Разряжена батарея. ■ Аккумуляторная батарея не установлена в отсек. ■ Перегрев батареи или электрических цепей устройства. (Индикатор питания будет светиться оранжевым светом в течение 10 секунд) ■ Боковые направляющие не раскрыты полностью, не сработали фиксаторы. ■ Рукоятка не установлена в одно из двух рабочих положений. ■ Платформа газонокосилки забита травой и мусором. 	<ul style="list-style-type: none"> ■ Зарядите батарею. ■ Установите батарею в устройство и нажмите до щелчка. ■ Подождите, пока батарея или газонокосилка не остынут до 67°C. ■ Вытяните рукоятку до упора и зафиксируйте с помощью обоих фиксаторов. ■ Установите рукоятку в одно из двух рабочих положений. ■ Очистите платформу устройства и убедитесь, что нож свободно вращается.
Устройство неровно скашивает траву.	<ul style="list-style-type: none"> ■ Затупился нож. ■ Неправильно установлена высота среза. ■ Нож установлен неправильно. 	<ul style="list-style-type: none"> ■ Заточите или замените нож. ■ Поднимите платформу повыше. ■ Установите нож на место, как описано в разделе «УСТАНОВКА НОЖА» настоящего руководства.
Устройство неожиданно прекращает работу	<ul style="list-style-type: none"> ■ Разряжена батарея. ■ Перегрузка устройства. ■ Платформа газонокосилки забита травой и мусором. ■ Перегрев батареи или электрических цепей устройства. (Индикатор питания будет светиться оранжевым светом в течение 10 секунд). ■ Боковая направляющая немного сложилась из-за усилия, приложенного к рукоятке. 	<ul style="list-style-type: none"> ■ Зарядите батарею. ■ Увеличьте высоту среза или снизьте скорость работы. ■ Очистите платформу газонокосилки. Увеличьте высоту среза или скашивайте более узкую полосу травы. ■ Подождите, пока батарея или газонокосилка не остынут до 67°C. ■ Ослабьте фиксаторы. Вытяните боковые направляющие до конца и снова зафиксируйте их.

RU



ПРОБЛЕМА	ПРИЧИНА	РЕШЕНИЕ
Устройство плохо выполняет мульчирование	<ul style="list-style-type: none">■ Обрезки мокрой травы налипли на нижнюю сторону платформы.■ Устройство отрегулировано так, что срезает слишком много травы за один заход.	<ul style="list-style-type: none">■ Дождитесь, пока трава подсохнет, прежде чем скашивать ее.■ Поднимите платформу повыше.
Устройство сильно вибрирует	<ul style="list-style-type: none">■ Разболтался нож.■ Нож разбалансирован.■ Режущее приспособление погнуто.■ Погнулся вал двигателя.	<ul style="list-style-type: none">■ Затяните болт крепления ножа.■ Отбалансируйте нож в соответствии с инструкциями в руководстве.■ Замените нож.■ Свяжитесь с сервисным центром.
Фиксаторы рукоятки не удерживают нужное положение	<ul style="list-style-type: none">■ Боковые направляющие вытянуты не до конца.	<ul style="list-style-type: none">■ Вытяните боковые направляющие до упора и затяните фиксаторы.

ГАРАНТИЯ

ГАРАНТИЙНАЯ ПОЛИТИКА EGO

Посетите веб-сайт egopowerplus.com, чтобы ознакомиться со всеми условиями и сроками гарантийной политики EGO.

RU

PRZECZYTAJ WSZYSTKIE INSTRUKCJE!



**PRZECZYTAJ ZE ZROZUMIENIEM
INSTRUKCJE OBSŁUGI**

⚠ Pozostałe zagrożenia! Osoby noszące urządzenia elektroniczne, np. rozruszniki serca, powinny się skonsultować z lekarzem przed użyciem tego urządzenia. Obsługa sprzętu elektrycznego w pobliżu rozrusznika serca może spowodować zakłócenia lub awarię rozrusznika.

⚠ OSTRZEŻENIE: Aby zapewnić bezpieczeństwo i niezawodność, wszystkie naprawy i wymiany powinny być wykonane przez serwisanta z odpowiednimi kwalifikacjami.

Przeznaczenie i przewidywalne przykłady niewłaściwego użycia: Produkt ten jest przeznaczony do koszenia trawy wyłącznie w ogrodach domowych. Nie może być używany do koszenia zbyt wysokiej, suchej lub mokrej trawy, np. trawy pastwiskowej, lub do zbierania liści. Urządzenie to może być stosowane wyłącznie do przewidzianych celów. Wszelkie inne zastosowania są uznane za przypadek niewłaściwego użycia.

SYMBOLY BEZPIECZEŃSTWA

Celem symboli bezpieczeństwa jest zwrócenie Twojej uwagi na możliwe zagrożenia. Symbole bezpieczeństwa oraz wyjaśnienia zasługują na szczególną uwagę oraz zrozumienie ze strony użytkownika. Ostrzeżenia związane z symbolami nie mogą same w sobie zapobiec zagrożeniom. Instrukcje i ostrzeżenia w nich zawarte nie zastępują właściwych środków profilaktycznych.

⚠ OSTRZEŻENIE: Przeczytaj ze zrozumieniem wszystkie instrukcje obsługi w instrukcjach operatora, razem ze wszystkimi symbolami ostrzegającymi o niebezpieczeństwie, takimi jak **"NIEBEZPIECZEŃSTWO"**, **"OSTRZEŻENIE"**, oraz **"UWAGA"** przed użyciem urządzenia. Niestosowanie się do wszystkich podanych niżej instrukcji może doprowadzić do porażenia prądem, pożaru i/lub poważnych obrażeń.

PL

ZNACZENIE SYMBOLU

SYMBOL OSTRZEGAJĄCY PRZED NIEBEZPIECZEŃSTWEM WSKAZUJE MA NIEBEZPIECZEŃSTWO, OSTRZEŻENIE, ORAZ UWAGĘ. Mogą być stosowane razem z innymi symbolami lub piktogramami.

⚠ OSTRZEŻENIE: Stosowanie elektronarzędzi może spowodować dostanie się obcych przedmiotów do oczu, co może spowodować poważne obrażenia oczu. Przed rozpoczęciem obsługi elektronarzędzia, ubierz okulary ochronne z bocznymi osłonami i całkowitą osłoną twarzy, w razie potrzeby. Zalecamy maskę bezpieczeństwa o szerokim polu widzenia zamiast tradycyjnych okularów ochronnych lub okularów z osłonami bocznymi.

INSTRUKCJE BEZPIECZEŃSTWA

Strona ta przedstawia i opisuje symbole bezpieczeństwa, które mogą pojawić się na tym urządzeniu. Przeczytaj ze zrozumieniem i przestrzegaj wszystkich instrukcji na urządzeniu przed jego montażem i obsługą.

	Ostrzeżenie przed niebezpieczeństwem	Zasady związane z bezpieczeństwem użytkownika.
	Ochrona oczu	Zawsze noś osłonę na oczu lub okulary ochronne z bocznymi osłonami lub całkowitą osłoną twarzy podczas obsługi tego produktu.
	OSTRZEŻENIE: Przeczytaj instrukcję użytkownika	Aby zmniejszyć ryzyko obrażeń, użytkownik powinien przeczytać ze zrozumieniem instrukcje użytkownika przed obsługą tego urządzenia.
	Uważaj na ostre ostrza.	Ostrza wciąż się kręcą po wyłączeniu silnika - Wyjmij urządzenie odłączające przed konserwacją. Wyłącz i wyjmij wymienny akumulator (lub urządzenie odłączające) przed regulacją lub czyszczeniem.
	Osoby postronne zatrzymaj w bezpiecznej odległości	Upewnij się, że inne osoby oraz zwierzęta pozostają w odległości co najmniej 30m od włączonej kosiarki.
	Klasa II budowy	Struktura z podwójną izolacją.
IPX4	Symbol IP	Zabezpieczenie przed dostaniem się wody do środka, stopień 4
V	Wolt	Napięcie

A	Ampery	Prąd
Hz	Herc	Częstotliwość (cykle na sekundę)
W	Wat	Moc
min	Minuty	Czas
	Prąd przemienny	Rodzaj prądu
	Prąd stały	Rodzaj lub charakterystyka prądu
n_0	Prędkość bez obciążenia	Prędkość obrotowa, bez obciążenia
... /min	na minutę	Obroty na minutę

ZASADY BEZPIECZEŃSTWA DLA KOSIARKI DO TRAWY

⚠ NIEBEZPIECZEŃSTWO: Urządzenie to powinno być obsługiwane zgodnie z zasadami bezpiecznego działania zawartymi w niniejszej instrukcji. Jak w przypadku innego sprzętu elektrycznego, niedbalstwo lub błąd użytkownika może spowodować poważne obrażenia. Urządzenie to może być przyczyną obrażeń rąk i stóp i może wyrzucić przedmioty. Nieprzestrzeganie wszystkich tych instrukcji może spowodować poważne obrażenia lub śmierć.

⚠ OSTRZEŻENIE: Przy używaniu bezprzewodowych kosiarek do trawy należy przestrzegać podstawowych środków bezpieczeństwa, aby zmniejszyć ryzyko pożaru, porażenia prądem i obrażeń ciała.

WAŻNE

PRZECZYTAJ UWAGAŃ PRZED ZASTOSOWANIEM. ZACHOWAJ, GDYŻ MOŻE BYĆ UŻYTECZNE W PRZYSZŁOŚCI.

ZASADY BEZPIECZEŃSTWA DLA KOSIARKI DO TRAWY:

UWAGA-NIE DOTYKAJ RUCHOMYCH OSTRZY!

SZKOLENIE

- Przeczytaj uważnie instrukcje. Zapoznaj się z funkcjami sterowania oraz właściwym korzystaniem z urządzenia
- Nigdy nie pozwalaj dzieciom lub osobom, które nie zapoznały się z niniejszą instrukcją na używanie urządzenia. Miejscowe rozporządzenia mogą ograniczać wiek operatora.
- Nie używaj kosiarki, jeśli w pobliżu znajdują się dzieci lub zwierzęta.

- Operator lub użytkownik ponoszą odpowiedzialność w przypadku wypadków lub zagrożeń dla innych osób lub ich własności.

PRZYGOTOWANIE

- Podczas koszenia noś zawsze solidne buty oraz długie spodnie.
- Nie używaj urządzenia bez butów lub w sandałach. Nie noś luźnych ubrań lub z wiszącymi frędzlami.
- Uważnie skontroluj obszar, na którym zamierzasz stosować urządzenie, usuń wszystkie kamienie, patyki, przewody, kości i inne obce przedmioty.
- Przed użyciem sprawdzaj zawsze wizualnie czy ostrza, śruby ostrzy i zestaw tnący nie są zużyte lub uszkodzone. Wymień uszkodzone lub zużyte ostrza i śruby parami, aby zachować równowagę. Wymień uszkodzone lub nieczytelne etykiety.

OBSŁUGA

- Koś trawnik jedynie przy dziennym świetle lub przy dobrym sztucznym oświetleniu.
- Unikaj używania urządzenia w mokrej trawie, w miarę możliwości.
- Upewnij się zawsze, że masz punkt oparcia na stokach.
- Nigdy nie biegaj.
- W przypadku kosiarek obrotowych na kółkach, koś naprzeciw zbrocza, nigdy z góry na dół ani z dołu do góry
- Zachowaj szczególną ostrożność przy zmianie kierunku na zbroczu.
- Nie koś na bardzo stromych zboczach.
- Zachowaj szczególną uwagę, kiedy cofasz lub pociągasz urządzenie w swoją stronę.
- Zatrzymaj nóż, jeśli urządzenie musi być przechylone w celu przeniesienia przy przekraczaniu powierzchni bez trawy i przy przenoszeniu urządzenia na obszar pracy.
- Nigdy nie używaj urządzenia z uszkodzonymi osłonami, bez zamontowanego pojemnika na trawę, bez zamontowanej osłony przeciwkamiennej lub innych elementów ochronnych.
- Włącz silnik zgodnie z instrukcjami i uważaj, aby nogi były oddalone od noży.
- Nie pochylaj urządzenia przy włączaniu silnika, chyba, że urządzenie musi być pochylone przy rozruchu. W tym przypadku nie pochylaj więcej niż potrzeba i podnieś jedynie część, która jest oddalona od operatora. Zawsze upewnij się, że obie ręce są w pozycji obsługi zanim skierujesz urządzenie do ziemi.

PL

- Nie włączaj urządzenia, kiedy stoisz naprzeciw kanału wylądowania trawy.
- Nie umieszczaj rąk lub nóg w pobliżu lub pod ruchomymi częściami. W przypadku kosiarek obrotowych zawsze należy stać poza otworem wylotowym.
- Nigdy nie przenoś lub nie noś urządzenia przy włączonym silniku.
- Przed regulacją lub czyszczeniem wyłącz i wyjmij zdejmowany akumulator (lub urządzenie odłączające) i upewnij się, że wszystkie ruchome części całkowicie się zatrzymały:
 - za każdym razem, gdy oddalasz się od urządzenia;
 - przed czyszczeniem blokad lub odblokowaniem koryta;
 - przed kontrolą, czyszczeniem lub obsługą urządzenia;
 - po uderzeniu w obcy przedmiot. Sprawdź, czy urządzenie nie jest uszkodzone i napraw, w razie potrzeby.
- Zatrzymaj silnik, jeśli przy pracy urządzenia pojawiają się nienormalne wibracje (sprawdź natychmiast przyczynę):
 - sprawdź, czy nie jest uszkodzone;
 - wymień lub napraw uszkodzone części;
 - sprawdź, czy nie ma poluzowanych części.

KONSERWACJA I PRZECHOWYWANIE

- Podczas regulacji urządzenia zachowaj ostrożność, by palce nie zostały wciągnięte między ruchome ostrza i stałe części urządzenia.
- Sprawdź, czy wszystkie nakrętki, śruby są mocno przykręcone, aby zapewnić pracę z urządzeniem w bezpiecznych warunkach.
- Regularnie sprawdzaj, czy pojemnik na trawę nie jest zużyty lub zniszczony.
- Wymień zużyte lub uszkodzone części dla bezpieczeństwa.
- Podczas prac serwisowych pamiętaj, że nawet jeśli źródło zasilania jest odłączone, to ostrza mogą się ruszać.
- W przypadku kosiarek obrotowych upewnij się, że używane są tylko odpowiedniego rodzaju elementy tnące.

BEZPIECZEŃSTWO OSOBISTE

Tragiczne wypadki mogą się zdarzyć, jeśli użytkownik jest powiadomiony o obecności dzieci. Dzieci często pociągają kosiarkę i czynność koszenia. Nie zdają sobie sprawy z niebezpieczeństwa. Nigdy nie oczekuj, że dzieci pozostaną w tym samym miejscu, gdzie je widziałeś po raz ostatni.

- Pilnuj, by dzieci były oddalone od strefy koszenia i znajdowały się pod uważną opieką odpowiedzialnej osoby dorosłej innej niż użytkownik kosiarki.
- Zachowaj ostrożność i wyłącz kosiarkę, jak tylko dziecko znajdzie się w strefie koszenia.
- Zachowaj szczególną ostrożność, gdy zbliżasz się ślepych rogów, przejść, krzaków lub innych przedmiotów, które mogą zasłonić widok dziecka biegnącego w stronę kosiarki.
- Aby nie dopuścić do zabawy kosiarką, dzieci powinny pozostawać pod opieką osób dorosłych.
- Zawsze wyłącz kosiarkę, gdy wyjmiesz akumulator z urządzenia. Zatrzymaj nóż/noże, jeśli urządzenie musi być przechylone w celu przeniesienia przy przekraczaniu powierzchni bez trawy i przy przenoszeniu urządzenia na obszar pracy.

DZIAŁANIE OGÓLNE DZIAŁANIE:

- Przeczytaj uważnie całą instrukcję obsługi użytkownika, przed montażem urządzenia. Przeczytaj ze zrozumieniem i przestrzegaj wszystkich instrukcji na urządzeniu i w instrukcji obsługi przed jego obsługą. Zapoznaj się z kontrolkami i właściwą obsługą urządzenia przez użyciem. Przechowuj instrukcję w bezpiecznym miejscu do przyszłych i regularnych referencji i do zamówień części zamiennych.
- Używaj właściwego urządzenia - nie używaj kosiarki do innych czynności, niż te do których jest przeznaczona.
- Nie sięgaj za daleko - Utrzymuj cały czas właściwą postawę i równowagę.
- Przedmioty, o które uderza kosiarka mogą spowodować poważne obrażenia u osób. Należy zawsze sprawdzać uważnie trawnik i usunąć z niego wszelkie przedmioty przed każdym koszeniem.
- Przed cofaniem się i podczas cofania, patrz do tyłu i w dół, by sprawdzić, czy nie w pobliżu małych dzieci i innych osób.
- To urządzenie nie jest zabawką. Z tego względu zachowaj cały czas szczególną ostrożność. Urządzenie to zostało przeznaczone do jednej czynności: koszenia trawnika. Nie używaj go do innych celów.
- Nie przeciążaj kosiarki - będzie lepiej i bezpieczniej działała, jeśli będzie używana z właściwą prędkością.
- Przed użyciem sprawdzaj zawsze wizualnie czy ostrza, śruby ostrzy i zestaw tnący nie są zużyte lub uszkodzone. Wymień zużyte lub uszkodzone ostrza i nakrętki oraz inne elementy w tym samym czasie, by zachować równowagę. Wymień uszkodzone lub nieczytelne etykiety.
- Zachowaj szczególną uwagę, kiedy cofasz lub pociągasz urządzenie w swoją stronę.

- Dokładnie sprawdź strefę, w której urządzenie będzie używane. Usuń wszystkie kamienie, patyki, przewody, zabawki oraz inne obce przedmioty, o które można się potknąć lub które mogą być wyrzucone przez ostrze. Wyrzucane przedmioty mogą spowodować poważne obrażenia. Zaplanuj trasę koszenia, by uniknąć wyrzucania materiału na drogi, chodniki i osoby postronne. Unikaj również wyrzucania materiału w kierunku ściany lub przeszkody, co może spowodować odbicie rykoszetem materiału w stronę użytkownika.
- Aby uniknąć kontaktu z ostrzami lub obrażeniami przez wyrzucone przedmioty, nie wykraczaj poza strefę koszenia i pilnuj, by dzieci, osoby postronne, osoby pomagające oraz zwierzęta znajdowały się w odległości co najmniej 30 metrów od pracującej kosiarki. Zatrzymaj urządzenie, gdy ktoś wejdzie do strefy roboczej.
- Zawsze noś okulary ochronne lub osłonę na oczy podczas obsługi i czynności regulacyjnych lub naprawczych, by chronić oczy. Wyrzucone przedmioty mogą spowodować poważne obrażenia oczu. Podczas pracy powodującej pylenie używaj maseczki przeciwpyłowej na twarz.
- Noś odpowiednie ubranie - Nie noś luźnych ubrań i biżuterii. Mogą być one wciągnięte przez ruchome części. Zaleca się noszenie gumowych rękawic i obuwia podczas pracy na zewnątrz. Noś stabilne obuwie o szorstkiej podeszwie oraz wąskie spodnie i bluzki. Zaleca się noszenie bluzek i spodni okrywających ramiona i nogi oraz obuwia z metalowym podnoskiem. Nigdy nie obsługuj urządzenia na bosą, w sandałach, śliskim lub lekkim (np. płóciennym) obuwiu.
- Nie zbliżaj rąk i nóg do ruchomych części i nie wkładaj ich pod spód pokrywy. Zbliżenie rąk i stóp do ostrza może spowodować ich zranienie.
- Brakująca lub uszkodzona pokrywa może spowodować dotknięcie ostrzy i obrażenia spowodowane wyrzucenymi przedmiotami.
- Wiele obrażeń jest spowodowanych przeciągnięciem kosiarki nad stopą podczas upadku na skutek poślizgnięcia się lub potknięcia. Nie trzymaj się kosiarki podczas upadku, natychmiast ją puść.
- Nie pociągaj nigdy kosiarki do siebie jak idziesz. Jeśli musisz pociągnąć kosiarkę do tyłu od ściany lub od przeszkody, najpierw spójrz w dół i do tyłu, by uniknąć potknięcia się i postępuj zgodnie z następującymi etapami:
 - Odsuń się od kosiarki, by wyciągnąć ramię na całą długość.
 - Upewnij się, że zachowujesz równowagę i masz dobre oparcie na nogi.
 - Pociągnij powoli kosiarkę do połowy odległości od siebie.
 - Powtórz czynności w razie potrzeby.
- Nie używaj urządzenia pod wpływem alkoholu lub narkotyków.
- Nigdy nie używaj urządzenia z uszkodzonymi osłonami, bez zamontowanego pojemnika na trawę, bez zamontowanej osłony przeciwkamiennej lub innych elementów ochronnych.
- Zachowaj czujność - patrz na to, co robisz. Kieruj się zdrowym rozsądkiem. Nie używaj kosiarki do trawy, kiedy jesteś zmęczony.
- Uchwyt sterujący silnika/ostrza jest mechanizmem zabezpieczającym. Nigdy nie próbuj obchodzić jego działania. Mechanizm ten będzie mógł wtedy działać, co może spowodować obrażenia na skutek dotknięcia ruchomego ostrza. Uchwyt sterujący silnika/ostrza musi swobodnie działać w dwóch kierunkach i automatycznie powracać do wyłączonej pozycji, gdy jest zwolniony.
- Unikaj niebezpiecznych środowisk - Nie zostawiaj kosiarki w miejscach wilgotnych lub mokrych.
- Nie używaj podczas deszczu.
- Upewnij się zawsze, że masz punkt oparcia. Poślizgnięcie się i upadek mogą spowodować poważne obrażenia. Jeśli czujesz, że tracisz oparcie, zwolnij natychmiast uchwyt sterujący silnika/ostrza a ostrze przestanie się obracać w ciągu trzech sekund.
- Zatrzymaj ostrze, gdy przechodzi przez żwirowe podłoże, chodniki lub drogi.
- Jeśli sprzęt zacznie nietypowo wibrować, wyłącz silnik i poszukaj natychmiast przyczyny. Wibracje stanowią zazwyczaj objaw usterek.
 - Sprawdź, czy nie jest uszkodzone;
 - Wymień lub napraw uszkodzone części, które mogą być wymienione przez użytkownika;
 - Sprawdź, czy nie ma poluzowanych części.
- Nigdy nie używaj kosiarki bez właściwej osłony tylnej, pokrywy wyładowania, worka na trawę, przysłony do mulczowania, bocznego wylotu, uchwytu sterującego silnika/ostrza lub innych elementów zabezpieczających.. Nigdy nie używaj kosiarki z uszkodzonymi elementami zabezpieczającymi. Nieprzestrzeżenie tego zalecenia może spowodować poważne obrażenia.
- Jeśli wystąpi jakaś sytuacja nieopisana w niniejszej instrukcji, zachowaj ostrożność i użyj odpowiedniego osądzania. Skontaktuj się z punktem obsługi klienta EGO.
- Używaj wyłącznie akumulatorów i ładowarek wymienionych poniżej:

PL

KOMPLET AKUMULATORA	ŁADOWARKA
BA1120E, BA2240E, BA2800, BA3360, BA4200	CH5500E, CH2100E

- Akumulator musi być wyjęty z urządzenia przed wyrzuceniem.
- Należy bezpiecznie wyrzucać akumulator.

OBSŁUGA NA ZBOCZACH:

Zbocza są głównym czynnikiem poślizgnięć i upadków, które mogą powodować poważne obrażenia. Upewnij się zawsze, że masz punkt oparcia na zboczach. Obsługa na zboczach wymaga dodatkowej ostrożności. Jeśli nie czujesz się pewnie na zboczach, nie koś tam trawy.

Wykonaj następujące czynności:

- Koś naprzeciw zbocza, nigdy z góry na dół ani z dołu do góry. Zachowaj szczególną ostrożność przy zmianie kierunku na zboczu.
- Uważaj na dziury, skały, ukryte przedmioty lub wyboje, które mogą spowodować poślizgnięcie lub potknięcie. Wysoka trawa maskuje przeszkody.

Nie wykonuj następujących czynności:

- Nie koś w pobliżu pochyłych powierzchni, rowów i nasypów, możesz stracić oparcie lub równowagę.
- Nie należy kosić zboczy o nachyleniu większym niż 15 stopni.
- Nie koś mokrej trawy. Niestabilne oparcie może spowodować poślizgnięcie.

KONTROLA

⚠ OSTRZEŻENIE: Elementy worka na trawę, pokrywa wyladowania, boczny wylot, przysłona do mulczowania, osłona tylna mogą się zużyć i uszkodzić, co spowoduje odsłonięcie ruchomych części lub wyrzucanie przedmiotów i może zwiększyć zagrożenie. Dla bezpieczeństwa kontroluj regularnie wszystkie elementy i natychmiast wymień uszkodzone części na identyczne, wymienione w niniejszej instrukcji. Skontaktuj się z punktem obsługi klienta EGO lub najbliższym punktem serwisowym EGO. Naprawy i wymiana powinny być wykonane przez serwisanta z odpowiednimi kwalifikacjami!

- Jeśli przelącznik wewnętrznego zabezpieczenia przeciwprzeciążeniowego włącza się często, skontaktuj się z punktem obsługi klienta EGO lub najbliższy punkt serwisowy EGO.
- Nie czyść kosiarki węzłem; woda nie powinna się dostać do silnika ani przewodów elektrycznych.
- Wyjmij klucz i przechowuj wyłączoną kosiarkę wewnątrz, gdy nie jest używana. Odczekaj, aż silnik ochłodzi się przed przechowywaniem. Przechowuj kosiarkę do trawy w suchym, wysoko położonym lub zamkniętym pomieszczeniu, poza zasięgiem dzieci.

- Podczas prac serwisowych używaj wyłącznie części zamiennych identycznych z częściami wymienionymi w niniejszej instrukcji. Stosowanie części, które nie spełniają oryginalnych specyfikacji sprzętu może spowodować niewłaściwe działanie i narazić na niebezpieczeństwo.
- Wyjmij lub odłącz akumulator przed przystąpieniem do czynności serwisowych, czyszczenia lub wyjmowania materiału z kosiarki.
- Przestrzegaj instrukcji dotyczących smarowania i wymiany akcesoriów.
- Pilnuj, aby uchwyty były suche, czyste i pozbawione śladów oleju i smarów.
- Aby zmniejszyć ryzyko pożaru, pilnuj, by pokrywa silnika nie była pokryta trawą, liśćmi lub zanieczyszczeniami.
- Sprawdzaj regularnie, czy śruby mocujące ostrzy i silnika są właściwie przykręcone. Sprawdzaj wizualnie, czy ostrza nie są uszkodzone (np. wygięte, pęknięte lub zużyte). Wymień ostrza wyłącznie na identyczne ostrza, wymienione w niniejszej instrukcji.
- Dbaj o kosiarkę - pilnuj, by ostrza były ostre i czyste dla lepszego i bezpiecznego działania. Ostrza kosiarki są ostre i mogą skaleczyć. Okręć ostrza lub wóź rękawice i zachowaj szczególną ostrożność przy czynnościach konserwacyjnych.
- Nigdy nie wyjmuj i nie manipuluj elementami zabezpieczającymi, regularnie sprawdzaj ich właściwe działanie. Nigdy nie wykonuj czynności przeszkadzających w wykonywaniu oryginalnych funkcji elementów zabezpieczających lub zmniejszających zabezpieczenie, które mają one zapewnić.
- Zawsze wyłączaj silnik przed regulacją kół lub ustawianiem wysokości cięcia.
- Po uderzeniu w obcy przedmiot, wyłącz silnik, wyjmij klucz i dokładnie sprawdź, czy kosiarka nie została uszkodzona. Napraw uszkodzenie przed włączeniem kosiarki.
- Dbaj i wymieniaj plakietki z informacjami o bezpieczeństwie i instrukcjami, w razie potrzeby. Skontaktuj się z punktem obsługi klienta EGO lub najbliższym punktem serwisowym EGO. Naprawy i wymiana powinny być wykonane przez serwisanta z odpowiednimi kwalifikacjami!
- **INSTRUKCJE TE NALEŻY ZACHOWAĆ.** Konsultuj je często i korzystaj z nich, by informować innych użytkowników tego urządzenia. Jeśli pożyczasz urządzenie innej osobie, przekaz jej również instrukcje obsługi, by uniknąć niewłaściwego użytkowania urządzenia i obrażeń.

OBSŁUGA I KONSERWACJA AKUMULATORA

- Aby chronić zasoby naturalne, należy utylizować lub wyrzucać akumulator we właściwy sposób. Urządzenie to zawiera litowo-jonowy akumulator. Miejscowe lub krajowe przepisy zabraniają wyrzucanie baterii litowo-jonowych ze zwykłymi śmieciami. Skontaktuj się z miejscowymi władzami, w celu uzyskania informacji o dostępnych opcjach wyrzucania i/lub utylizacji.

- Przed wyjęciem akumulatora, w celu jego wyrzucenia lub utylizacji, zaklej jego wyprowadzenia wytrzymałą taśmą klejącą. Nie próbuj niszczyć lub rozkładać akumulatora lub wyjmować jakiegokolwiek jego elementu. Litowo-jonowe baterie powinny być utylizowane lub wyrzucone w odpowiednim miejscu. Nigdy nie dotykaj wyprowadzeń metalowymi przedmiotami i/lub częściami ciała, gdyż może to spowodować krótkie spięcie. Przechowuj z dala od dzieci. Nieprzestrzeganie tych ostrzeżeń może spowodować pożar lub/i poważne obrażenia.

- **W TRUDNYCH WARUNKACH Z BATERII MOŻE WYDOSTAWAĆ SIĘ PŁYN; UNIKAĆ KONTAKTU. W RAZIE PRZYPADKOWEGO KONTAKTU ZE SKÓRĄ OBFICIE PRZEMYJ WODĄ. JEŚLI PŁYN DOSTANIE SIĘ DO OCZU, ZASIĘ GNIJ PORADY LEKARZA.** Płyn, który wypłynął z baterii może spowodować podrażnienia lub oparzenia.

- Deklarowana całkowita wartość wibracji została zmierzona zgodnie ze standardowymi metodami testowania i może być używana do porównywania różnych narzędzi;
- Deklarowana całkowita wartość wibracji może również być używana do wstępnej oceny narażenia na drgania.

UWAGA: Emisja drań podczas rzeczywistego stosowania elektronarzędzia może różnić się od deklarowanej wartości, w której narzędzie jest używane; aby się zabezpieczyć, użytkownik powinien nosić rękawice i ochronniki na uszy w rzeczywistych warunkach użytkowania.

LISTA ELEMENTÓW W OPAKOWANIU

NAZWA CZĘŚCI	ILOŚĆ
Kosiarka do trawy	1
Worek na trawę	1
Rama pojemnika na trawę	1
Przysłona do mulczowania	1
Boczny wylot	1
Klucz zabezpieczający	2
Instrukcja użytkownika	1

SPECYFIKACJE

Numer modelu	LM2010E	LM2010E-SP
System samonapędzający	Nr	Tak
Napięcie	56 V	56 V
Prędkość bez obciążenia	3150 /min	3150 /min
Wysokość cięcia	25-95 mm	25-95 mm
Pozycje wysokości cięcia	6	6
Rozmiar pokrywy	51 cm	51 cm
Szerokość cięcia	50 cm	50 cm
Pojemność pojemnika na ściętą trawę	60 L	60 L
Ciężar kosiarki (bez akumulatora)	25,1 kg	28,1 kg
Model ostrza	AB2001	AB2001
Mierzony poziom mocy akustycznej L_{WA}	94dB(A)	94,32 dB(A)
Poziom ciśnienia dźwięku przy uchu operatora L_{PA} K=2,5 dB(A)	82,5 dB(A)	85,6 dB(A)
Gwarantowany poziom mocy akustycznej L_{WA} (zgodnie z 2000/14/EC)	96 dB(A)	96 dB(A)
Drgania a_{1v} K=1,5 m/s ²	Uchwyt lewy	3,65 m/s ²
	Uchwyt prawy	1,64 m/s ²
Hamulec ostrza	Tak	Tak

OPIS

ZAPOZNAJ SIĘ ZE SWOJĄ KOSIARKĄ

(Rys. A & B & C & D & E)

1. Spust samonapędzania
2. Uchwyt
3. Przełącznik sterowania (dźwignia przełącznika)
4. Przycisk przełącznika
5. Worek na trawę
6. Pokrętko szybkiej regulacji
7. Dźwignia regulacji wysokości cięcia
8. Tylnie koło
9. Boczny wylot
10. Boczne drzwiczki wyrzutu trawy
11. Pokrywa kosiarki
12. Reflektory LED
13. Przednie koło
14. Pokrywa akumulatora
15. Uchwyt tylny
16. Tylnie drzwiczki wyrzutu trawy
17. Samonapędzana dźwignia kontroli prędkości

PL

18. Osłona tylna
19. Szczelina na klucz zabezpieczający
20. Przycisk zwalniający akumulator
21. Przycisk do reflektorów LED
22. Wskaźnik mocy na kosiarce
23. Przysłona do mulczowania
24. Boczny wylot

OBSŁUGA

MONTAŻ WORKA NA TRAWĘ

- 1) Wsuń worek na trawę do ramki (Rys. F).
- 2) Zamontuj górne zaciski na ramie (Rys. G), a następnie zamontuj dwa boczne zaciski. Zamontuj na końcu dolny zacisk.
- 3) Całkowicie złożony worek na trawę jest przedstawiony na Rys. H.

REGULACJA SKŁADANEGO UCHWYTU

⚠ OSTRZEŻENIE: Nie próbuj uruchamiać kosiarki, jeśli uchwyt nie jest zablokowany w jednej z trzech zaprogramowanych pozycji (GÓRNE POŁOŻENIE DZIAŁANIA, ŚREDNIE POŁOŻENIE DZIAŁANIA lub DOLNE POŁOŻENIE DZIAŁANIA).

Kosiarka jest dostarczona z uchwytem w ZABLOKOWANYM POŁOŻENIU DO PRZECHOWYWANIA (Rys. I).

- 1) Wyciągnij pokrętła szybkiego ustawiania i przekręć o 90°, by zwolnić uchwyt z ZABLOKOWANEGO POŁOŻENIA DO PRZECHOWYWANIA.
- 2) Podnieś uchwyt. Delikatnie obróć uchwyt do tyłu, aż dosięgnie jednego z trzech różnych położeń, zgodnie z Rys. J. Przekręć pokrętło o 90°, aż usłyszysz i poczujesz, że sworzeń blokujący zatrzymuje się w odpowiedniej pozycji.

Opis części z Rys. J poniżej:

J-1	Górne położenie działania
J-2	Średnie położenie działania
J-3	Dolne położenie działania
J-4	Zablokowane położenie do przechowywania

UWAGA: Obydwa pokrętła szybkiego ustawiania muszą znajdować się na takiej samej wysokości podczas ustawiania, tak by załączyły się w tym samym czasie.

MOCOWANIE/WYJMOWANIE WORKA NA TRAWĘ/ PRZYSŁONY DO MULCZOWANIA

⚠ OSTRZEŻENIE: Przed każdą regulacją kosiarki wyłącz silnik i wyjmij klucz zabezpieczający i odczekaj, aż ostrze przestanie się obracać.

UWAGA: Przymocuj akcesoria na kosiarce przed koszeniem.

■ Mocowanie/Wyjmowanie worka na trawę (Rys. K)

Ustaw uchwyt w żądanym położeniu działania. Podnieś tylne drzwiczki wyrzutu trawy i zaczep worka na trawę haczykami do trzpienia obrotowego. Aby go wyjąć, unieś worek na trawę, wyjmij trzpień obrotowy. Na koniec zamknij tylne drzwiczki wyrzutu trawy.

UWAGA: Wyjmij zamontowaną przysłonę do mulczowania z kosiarki przed zamocowaniem worka na trawę.

■ Mocowanie/Wyjmowanie przysłony do mulczowania (Rys. L)

Podnieś tylne drzwiczki wyrzutu trawy i włóż przysłonę do mulczowania do kosiarki. Aby ją wyjąć, po prostu ją wyciągnij. Na koniec zamknij tylne drzwiczki wyrzutu trawy

■ Mocowanie/Wyjmowanie bocznego wykotu (Rys. M)

Podnieś boczne drzwiczki wyrzutu. Wyrównaj szczelinę wylotu z pokrętle drzwiczek wyrzutu i zwolnij delikatnie boczny wylot, aby przekręcił się wokół trzpienia obrotowego i zatrzymał się mocno w wylocie. Aby go wyjąć, podnieś boczne drzwiczki, podnieś boczny wylot, wyjmij pokrętło mocujące drzwiczek.

Opis części z Rys. M poniżej:

M-1	Boczne drzwiczki wyrzutu trawy
M-2	Pokrętło montażu
M-3	Szczelina montażu
M-4	Boczny wylot

REGULACJA WYSOKOŚCI CIĘCIA (Rys. N)

⚠ OSTRZEŻENIE: Nie zbliżaj nóg do pokrywy, gdy ustawiasz wysokość. Kosiarkę można ustawić na 6 wysokości cięcia między 20 mm i 90 mm. Wybierz właściwą wysokość cięcia w zależności od rodzaju i warunków trawy.

UWAGA: Przy poruszaniu urządzeniem upewnij się, że wysokość cięcia jest ustawiona na 3 lub więcej. Nieprzestrzeżenie tego zalecenia może spowodować uszkodzenie ostrza.

MONTOWANIE/WYJMOWANIE AKUMULATORA (Rys. O)

NAŁADUJ PRZED UŻYCIEM.

⚠ OSTRZEŻENIE: Jeśli jakiegokolwiek części są złamane lub ich nie ma, nie próbuj montować akumulatora na kosiarce lub używać kosiarki do chwili, gdy wszystkie uszkodzone lub brakujące części zostaną wymienione. Nieprzestrzeganie tego zalecenia może spowodować poważne obrażenia.

■ **Montowanie**

Wsuń akumulator do pojemnika na akumulator, aż usłyszysz kliknięcie.

■ **Wymowanie**

Wciśnij przycisk zwalnający akumulator w pojemniku.

Opis części z Rys. O poniżej:

O-1	Szczelina na klucz zabezpieczający
O-2	Klucz zabezpieczający
O-3	Przycisk zwalnający akumulator

UWAGA: Upewnij się, że zatrzask na kosiarce zablokuje się we właściwej pozycji i że akumulator jest zablokowany w kosiarce.

URUCHAMIANIE/WYŁĄCZANIE KOSIARKI

⚠ OSTRZEŻENIE: Stosowanie kosiarek do trawy może spowodować dostanie się obcych przedmiotów do oczu, co może spowodować poważne obrażenia oczu. Zawsze noś okulary ochronne podczas obsługi kosiarki lub podczas jej ustawiania lub naprawiania.

⚠ OSTRZEŻENIE: Upewnij się, że inne osoby oraz zwierzęta pozostają w odległości co najmniej 30m od włączonej kosiarki.

⚠ OSTRZEŻENIE: Ostrza ruszają się przez kilka sekund po wyłączeniu kosiarki. Odczekaj, aż silnik/ ostrza przestaną się obracać przed ponownym uruchomieniem. Nie wyłączaj i nie włączaj kosiarki w krótkich odstępach.

KLUCZ ZABEZPIECZAJĄCY

Aby zapobiec przypadkowemu uruchomieniu lub nie-upoważnionemu używaniu bezprzewodowej kosiarki, został do niej dołączony klucz zabezpieczający. Kosiarka będzie całkowicie wyłączona, gdy klucz zabezpieczający jest z niej wyjęty.

⚠ NIEBEZPIECZEŃSTWO: Obracające się ostrza mogą spowodować poważne obrażenia. Aby zapobiec poważnym obrażeniom, wyjmij klucz zabezpieczający, gdy nie pilnujesz kosiarki, lub w trakcie ustawiania, czyszczenia, serwisowania, transportu, podnoszenia lub przechowywania jej.

Uruchomienie (Rys. Q)

- 1) Zamocuj akumulator w kosiarce, włóż klucz bezpieczeństwa do szczeliny i zamknij pokrywę akumulatora (Rys. O).
- 2) Stosownie do Rys. P, wciśnij przycisk bezpieczeństwa.
- 3) Gdy przycisk jest wciśnięty, pociągnij przełącznik sterowania w górę do uchwytu i zwolnij przycisk.

Zatrzymanie (Rys. R)

- 1) Zwolnij przełącznik sterowania.
- 2) Elektroniczny hamulec w mechanizmie automatycznego hamowania zatrzyma obroty ostrzy w ciągu 3 sekund od zwolnienia przełącznika.

SYSTEM SAMONAPĘDZAJĄCY O ZMIENNEJ PRĘDKOŚCI (LM2010E-SP)

Kosiarka LM2010E-SP jest wyposażona w funkcję samonapędzania o zmiennej prędkości. System jest niezależny od przełącznika ON/Off ostrza, i nie zależy od obrotów ostrza.

Aby używać system bez obrotów ostrzy, pociągnij za spust samonapędzania na uchwycie.

Aby wyłączyć samonapędzanie, zwolnij spust.

System „ma” zmienne prędkości. Aby zwiększyć prędkość, przesun dźwignię samonapędzania kontroli prędkości do przodu. Aby zwiększyć prędkość, przesun dźwignię samonapędzania kontroli prędkości do tyłu (Rys. S).

Działanie z obracającym ostrzem do cięcia:

1. Uruchom kosiarkę.
2. Trzymając lewą ręką przełącznik sterujący naprzeciw uchwytu, pociągnij prawą ręką spust samonapędzający do uchwytu.
3. Przytrzymaj przełącznik sterujący i spust samonapędzający jednocześnie naprzeciw uchwytu prawą ręką a lewą ręką ustaw dźwignię kontroli prędkości, by wybrać żądaną prędkość.

⚠ OSTRZEŻENIE: Aby zmniejszyć ryzyko obrażeń, nigdy nie próbuj przeszkadzać w działaniu przełącznika lub systemu samonapędzającego. Używaj samonapędzania tylko do celów, do których zostało przeznaczone.

ROBOCZE KONTROLKI ŚWIETLNE LED W KOSIARCE(Rys A-12)

Wciśnij przycisk (Rys. D-21), by włączyć/wyłączyć robocze kontrolki świetlne LED z przodu pojemnika na akumulator.



WSKAŹNIK MOCY NA KOSIARCE (Rys. D-22)

Kosiarka jest wyposażona we wskaźnik mocy, by wskazywać poziom akumulatora oraz stan roboczy kosiarki. Wskaźnik mocy zaświeci się, gdy ostrze się obraca lub gdy robocze kontrolki świetlne LED są włączone.

Wskaźnik mocy na kosiarce	Znaczenie	Działanie
Świecący zielony	Kosiarka działa właściwie; akumulator jest naładowany co najmniej do 15%	Nie dotyczy
Świecący czerwony	Słaba bateria	Zatrzymaj kosiarkę i naładuj akumulator
Migający czerwony	Bateria jest prawie wyczerpana	Zatrzymaj kosiarkę i naładuj akumulator
Świecący pomarańczowy	Kosiarka lub akumulator są przegrzane	Wyjmij akumulator z kosiarki, ustaw je w cieniu i odczekaj co najmniej 15 minut, aż ostygną.
Migający pomarańczowy	Kosiarka jest przegrzana	Zwolnij tempo lub zwiększ wysokość cięcia, by zmniejszyć obciążenie.

ZABEZPIECZENIE PRZECIWOBCIĄŻENIOWE KOSIARKI

Aby zapobiec obciążeniom, nie próbuj ciąć zbyt dużo trawy za jednym razem. Zwolnij tempo koszenia lub zwiększ wysokość cięcia.

PL

Kosiarka jest wyposażona we wewnętrzne zabezpieczenie przeciw obciążeniu systemu. Gdy kosiarka jest przeciążona, silnik wyłączy się a wskaźnik mocy zacznie migać na pomarańczowo. Wyjmij akumulator z kosiarki. Sprawdź, czy pod pokrywą nie nagromadziła się trawa i usuń w razie potrzeby, następnie włóż akumulator i uruchom ponownie kosiarkę.

ZABEZPIECZENIE PRZED ROZGRZANIEM AKUMULATORA

Akumulator rozgrzewa się w trakcie działania. Ciepło rozprowadza się wolniej przy wysokich temperaturach. Jeśli temperatura akumulatora przekroczy 70°C w trakcie działania, układ zabezpieczający wyłączy natychmiast kosiarkę, by chronić akumulator przed uszkodzeniem. Wskaźnik mocy na kosiarce będzie świecić na pomarańczowo. Zwolnij przełącznik sterujący, odczekaj, aż akumulator ochłodzi do około 67°C a następnie uruchom kosiarkę.

KONSERWACJA

⚠ OSTRZEŻENIE: Aby uniknąć poważnych obrażeń, zawsze wyjmij klucz zabezpieczający i akumulator z kosiarki przed czyszczeniem lub czynnościami konserwacyjnymi.

⚠ OSTRZEŻENIE: Podczas prac serwisowych używaj wyłącznie części zamiennych identycznych z oryginalnymi. Stosowanie innych części stwarza zagrożenie i może spowodować uszkodzenie produktu. Aby zapewnić bezpieczeństwo i niezawodność, wszystkie naprawy i wymiany powinny być wykonane przez serwisanta z odpowiednimi kwalifikacjami.

CZYSZCZENIE KOSIARKI

⚠ OSTRZEŻENIE: Zawsze wyjmij klucz zabezpieczający i akumulator do czynności konserwacyjnych i transportu kosiarki.

Spód pokrywy kosiarki powinien być czyszczony po każdym użyciu, gdyż resztki trawy, liście, brud i inne substancje mogą się nagromadzić. Nagromadzenie jest niepożądane, gdyż powoduje tworzenie rdzy i korozji na metalowych częściach i zmniejsza wydajność cięcia kosiarki.

Usuń nagromadzoną trawę i liście z wału napędowego i wokół niego (tylko LM2010E-SP) i z wentylatora silnika (bez użycia wody). Czyść kosiarkę wilgotną ściereczką.

ZDEJMOWANIE/ZAKŁADANIE OSTRZA

⚠ OSTRZEŻENIE: Zawsze chroń ręce nakładając grube rękawice lub owijając krawędzie tnące ścierkami lub innymi tkaninami przy czynnościach konserwacyjnych na ostrzach kosiarki. Zawsze wyjmij akumulator do czynności konserwacyjnych i transportu kosiarki.

■ Zdejmowanie ostrza (Rys. V)

UWAGA: Jeśli śruba obraca się z wałem silnika, gdy jest poluzowana, przekręć ręcznie wentylator, by wyrównać otwory w wentylatorze z otworami w ostrzu i umieść inny trzpień metalowy w wyrównanych otworach.

■ Zakładanie ostrza

Zgodnie z montażem przedstawionym na Rys. U, z łopatkami wentylatora ustawionymi w kierunku pokrywy i nadrukowaną stroną ostrza na zewnątrz, wyrównaj otwory wentylator z otworami ostrza (Rys. W) a następnie przykręć ostrze zgodnie z Rys. X.

Opis części z Rys. U i W poniżej:

U-1	Wentylator	U-5	Śruba
U-2	Kolnierz wewnętrzny	V-1	Stabilizator 1
U-3	Kolnierz zewnętrzny	V-2	Stabilizator 2
U-4	Ostrze	V-3	Klucz 14 mm

UWAGA: Zalecany moment siły podczas dokręcania śrub ostrza wynosi 49-59Nm.

ХРАНЕНИЕ ГАЗОКОСИЛКИ

- Снимите с газонокосилки батарею и уберите устройство на хранение в прохладное, чистое и сухое место. Не храните устройство рядом с веществами, вызывающими коррозию, например с удобрениями или каменной солью.
- Смажьте газонокосилку.
- Храните газонокосилку в закрытом, сухом и прохладном помещении вне досягаемости детей.
- Не накрывайте газонокосилку пластиком. Пластиковые чехлы не дают испаряться влаге, которая может вызвать коррозию.
- Устройство можно хранить как в горизонтальном, так и в вертикальном положении (рис. Y).

⚠ ВНИМАНИЕ! Если устройство, стоящее в вертикальном положении, наклоняется, оно может упасть. Это влечет риск травм и поломки косилки. Если вы ставите устройство вертикально, следите за тем, чтобы оно стояло в устойчивом положении и чтобы дети не могли до него добраться. Старайтесь хранить устройство в горизонтальном положении, если это возможно.

Защита окружающей среды



Не выбрасывайте электроприборы, зарядные устройства и аккумуляторные батареи вместе с бытовыми отходами!

Неиспользуемое электрическое и электронное оборудование (в соответствии с законом ЕС 2012/19/EU), а также неисправные или разряженные аккумуляторные батареи (в соответствии с законом ЕС 2006/66/ЕС) должны утилизироваться отдельно от другого мусора.

При утилизации электроприборов на свалках и полигонах ТБО опасные вещества могут попасть в грунтовые воды, а следовательно и в пищу, что создает угрозу здоровью и благосостоянию людей.

ДЕКЛАРАЦИЯ СООТВЕТСТВИЯ ЕС

Мы, CHERVON EUROPE LTD.

47 CASTLE STREET, READING, RG1 7SR, UNITED KINGDOM

заявляем, что изделие Беспроводная газонокосилка на литий-ионной батарее (56 В) модели **LM2010E/LM2010E-SP** соответствует важнейшим требованиям к безопасности и здравоохранению, изложенным в следующих Директивах:

2006/42/ЕС, 2004/108/ЕС, 2011/65/EU, 2000/14/ЕС

Применяемые стандарты и технические характеристики:

EN 60335-1, EN 60335-2-77, EN 62233, EN 55014-1, EN 55014-2

	LM2010E	LM2010E-SP
Измеренный уровень звуковой мощности:	94 dB(A)	94,32 dB(A)
Гарантированный уровень звуковой мощности:	96 dB(A)	96 dB(A)

Peter Melrose
Заместитель директора
Chervon Europe

Dong Jianxun
Руководитель отдела
технического контроля Chervon

* (уполномоченный представитель CHERVON и лицо, ответственное за техническую документацию)

01/01/2016

PL

ПОИСК И УСТРАНЕНИЕ НЕИСПРАВНОСТЕЙ

⚠ ВНИМАНИЕ! Перед проведением обслуживания или транспортировкой устройства обязательно извлекайте предохранительный ключ и батарею. Во время обслуживания ножей газонокосилки защищайте руки: надевайте прочные перчатки или оборачивайте режущие кромки ножа ветошью или другим материалом.

ПРОБЛЕМА	ПРИЧИНА	РЕШЕНИЕ
Газонокосилка не запускается	<ul style="list-style-type: none"> ■ Разряжена батарея. ■ Аккумуляторная батарея не установлена в отсек. ■ Перегрев батареи или электрических цепей устройства. (Индикатор питания будет светиться оранжевым светом в течение 10 секунд) ■ Боковые направляющие не раскрыты полностью, не сработали фиксаторы. ■ Рукоятка не установлена в одно из двух рабочих положений. ■ Платформа газонокосилки забита травой и мусором. 	<ul style="list-style-type: none"> ■ Зарядите батарею. ■ Установите батарею в устройство и нажмите до щелчка. ■ Подождите, пока батарея или газонокосилка не остынут до 67°C. ■ Вытяните рукоятку до упора и зафиксируйте с помощью обоих фиксаторов. ■ Установите рукоятку в одно из двух рабочих положений. ■ Очистите платформу устройства и убедитесь, что нож свободно вращается.
Устройство неровно скашивает траву.	<ul style="list-style-type: none"> ■ Затупился нож. ■ Неправильно установлена высота среза. ■ Нож установлен неправильно. 	<ul style="list-style-type: none"> ■ Заточите или замените нож. ■ Поднимите платформу повыше. ■ Установите нож на место, как описано в разделе «УСТАНОВКА НОЖА» настоящего руководства.
Устройство неожиданно прекращает работу	<ul style="list-style-type: none"> ■ Разряжена батарея. ■ Перегрузка устройства. ■ Платформа газонокосилки забита травой и мусором. ■ Перегрев батареи или электрических цепей устройства. (Индикатор питания будет светиться оранжевым светом в течение 10 секунд). ■ Боковая направляющая немного сложилась из-за усилия, приложенного к рукоятке. 	<ul style="list-style-type: none"> ■ Зарядите батарею. ■ Увеличьте высоту среза или снизьте скорость работы. ■ Очистите платформу газонокосилки. Увеличьте высоту среза или скашивайте более узкую полосу травы. ■ Подождите, пока батарея или газонокосилка не остынут до 67°C. ■ Ослабьте фиксаторы. Вытяните боковые направляющие до конца и снова зафиксируйте их.

PL

ПРОБЛЕМА	ПРИЧИНА	РЕШЕНИЕ
Устройство плохо выполняет мульчирование	<ul style="list-style-type: none"> ■ Обрезки мокрой травы налипли на нижнюю сторону платформы. ■ Устройство отрегулировано так, что срезает слишком много травы за один заход. 	<ul style="list-style-type: none"> ■ Дождитесь, пока трава подсохнет, прежде чем скашивать ее. ■ Поднимите платформу повыше.
Устройство сильно вибрирует	<ul style="list-style-type: none"> ■ Разболтался нож. ■ Нож разбалансирован. ■ Режущее приспособление погнуто. ■ Погнулся вал двигателя. 	<ul style="list-style-type: none"> ■ Затяните болт крепления ножа. ■ Отбалансируйте нож в соответствии с инструкциями в руководстве. ■ Замените нож. ■ Свяжитесь с сервисным центром.
Фиксаторы рукоятки не удерживают нужное положение	<ul style="list-style-type: none"> ■ Боковые направляющие вытянуты не до конца. 	<ul style="list-style-type: none"> ■ Вытяните боковые направляющие до упора и затяните фиксаторы.

ГАРАНТИЯ

ГАРАНТИЙНАЯ ПОЛИТИКА EGO

Посетите веб-сайт egopowerplus.com, чтобы ознакомиться со всеми условиями и сроками гарантийной политики EGO.

PL

PŘEČTĚTE SI VŠECHNY POKYNY!



PŘEČTĚTE SI A SEZNAMTE SE S NÁVODEM K OBSLUZE

⚠ Zbytkové riziko! Lidé s elektronickými přístroji, jako jsou např. kardiostimulátory, by se měli před použitím toho výrobku poradit se svým lékařem. Použití elektrického zařízení v těsné blízkosti kardiostimulátoru může způsobit narušení činnosti nebo poruchu kardiostimulátoru.

⚠ VAROVÁNÍ: Z důvodu bezpečnosti by měl všechny opravy a výměny provádět kvalifikovaný servisní technik.

Účel použití a předpokládané nesprávné použití: Výrobek je určen k sekání trávy pouze v soukromých zahradách. Nesmí se používat k sekání neobvykle vysoké, suché nebo mokré trávy, např. pícní trávy; nebo k drcení listí. Výrobek se smí používat pouze k vyhrazenému účelu. Jakékoliv jiné použití se považuje za nesprávné.

BEZPEČNOSTNÍ SYMBOLY

Účelem bezpečnostních symbolů je upoutat vaši pozornost k případným nebezpečím. Bezpečnostní symboly a jejich vysvětlení vyžadují vaši zvýšenou pozornost a porozumění. Výstražné symboly samy o sobě nevylučují žádné nebezpečí. Pokyny a varování nejsou náhradou vhodných opatření pro prevenci úrazů.

⚠ VAROVÁNÍ: Před použitím tohoto nástroje si přečtěte a seznamte se se všemi bezpečnostními pokyny v tomto návodu k obsluze včetně veškerých výstražných symbolů, jako např. „NEBEZPEČÍ“, „VAROVÁNÍ“ nebo „UPOZORNĚNÍ“. Nedodržení níže uvedených pokynů může mít za následek úraz elektrickým proudem, požár anebo vážná poranění osob.

CZ

VÝZNAM SYMBOLŮ

BEZPEČNOSTNÍ VÝSTRAŽNÉ SYMBOLY: Upozorňují na **NEBEZPEČÍ**, **VAROVÁNÍ**, nebo **UPOZORNĚNÍ**. Lze je používat ve spojení s jinými symboly nebo piktogramy.

⚠ VAROVÁNÍ: Při použití elektrického nářadí může dojít k vymrštění cizích těles do očí, což může způsobit jejich závažné poškození. Před použitím elektrického nářadí si vždy nasadte ochranné brýle, ochranné brýle s bočními kryty nebo v případě potřeby obličejový štít. Na brýle nebo standardní ochranné brýle s bočními kryty doporučujeme použít ochrannou masku.

BEZPEČNOSTNÍ POKYNY

Na této stránce jsou zobrazeny a popsány bezpečnostní symboly, které se mohou objevit na výrobku. Před montáží a provozem si přečtěte, seznamte se a dodržujte veškeré pokyny ke stroji.

	Bezpečnostní upozornění	Bezpečnostní opatření týkající se vaší bezpečnosti.
	Používejte ochranu očí	Vždy noste ochranné brýle, ochranné brýle s bočními kryty nebo obličejový štít při použití tohoto výrobku.
	VAROVÁNÍ: Přečtěte si návod k obsluze	Z důvodu snížení rizika úrazu si musí uživatel před použitím tohoto výrobku přečíst a seznámit se s návodem k obsluze.
	Pozor na ostré nože.	Nože se otáčí i po vypnutí motoru –před údržbou odstraňte blokovací zařízení. Před nastavením nebo čištěním sekačky vypněte a vyjměte vyjímatelný akumulátor (nebo blokovací zařízení).
	Udržujte ostatní osoby v bezpečné vzdálenosti	Když sekačku používáte, udržujte od ostatních osob a domácích zvířat bezpečnou vzdálenost aspoň 30m.
	Konstrukce třídy II	Dvojitě izolovaná konstrukce.
IPX4	Symbol IP	Ochrana proti vniknutí vody stupeň 4
V	Voltů	Napětí
A	Ampérů	Proud
Hz	Hertzů	Frekvence (počet cyklů za sekundu)
W	Wattů	Výkon
min	Minut	Doba
	Střídavý proud	Druh proudu
	Stejnoseměrný proud	Druh nebo vlastnosti proudu

n_0	Rychlost při chodu naprázdno	Otáčky při chodu naprázdno
... /min	Za minutu	Otáčky za minutu

BEZPEČNOSTNÍ ZÁSADY PRO AKUMULÁTOROVOU SEKAČKU NA TRÁVU

⚠ NEBEZPEČÍ: Tento stroj byl zkonstruován k použití podle zásad pro bezpečný provoz, které jsou součástí tohoto návodu. Stejně jako u jiných typů elektrických zařízení, může vést nedbalost a chyba obsluhy k vážnému úrazu. Tento stroj může poranit ruce, nohy a vymrštit různé předměty. Nedodržení všech bezpečnostních pokynů může vést k vážnému zranění nebo smrti.

⚠ VAROVÁNÍ: Při používání akumulátorových sekaček na trávu je nutné vždy dodržovat základní bezpečnostní opatření pro zamezení rizika požáru, úrazu elektrickým proudem a úrazu.

DŮLEŽITÉ

ČTĚTE PEČLIVĚ PŘED POUŽITÍM. USCHOVEJTE PRO BUDOUCÍ POUŽITÍ.

BEZPEČNOSTNÍ ZÁSADY PRO AKUMULÁTOROVOU SEKAČKU NA TRÁVU:

POZOR, NEDOTÝKEJTE SE ROTUJÍCÍHO NOŽE!

ŠKOLENÍ

- Pečlivě si přečtěte tyto pokyny. Seznamte se s ovládacími prvky a správným použitím zařízení.
- Děti ani osoby, které se neseznámily s těmito pokyny, nesmí zařízení používat. Místní předpisy mohou omezovat věk obsluhy.
- Nikdy nesekejte trávu, pokud jsou v blízkosti osoby, zejména děti, nebo domácí zvířata.
- Obsluha nebo uživatel je zodpovědný za nehody nebo ohrožení jiných osob nebo jejich majetku.

PŘÍPRAVA

- Při sekání trávy vždy noste pevnou obuv a dlouhé kalhoty.
- Nepoužívejte zařízení, když jste bosí, nebo máte na nohou otevřené sandály. Nenoste volný oděv, nebo takový, ze kterého visí šňůrky nebo pásky.
- Pečlivě zkontrolujte prostor, kde budete zařízení používat, a odstraňte všechny kameny, klacky, dráty, kosti a další cizí tělesa.

- Před použitím vždy vizuálně zkontrolujte nože, šrouby nožů a žací mechanismus, zda nejsou opotřebené nebo poškozené. Opotřebené nebo poškozené nože a šrouby vyměňujte v sadách z důvodu zachování vyvážení. Vyměňte poškozené nebo nečitelné štítky.

POUŽITÍ

- Trávu sekejte pouze za denního světla nebo při dobrém umělém osvětlení.
- Pokud lze, vyhněte se použití zařízení v mokré trávě.
- Ve svahu vždy dbejte na pevný postoj.
- Chodte, nikdy neběhejte.
- S kolovými rotačními sekačkami sekejte trávu ve svahů podélně, nikdy nahoru a dolů.
- Dbejte zvýšené opatnosti při změně směru svahu.
- Nesekejte příliš prudké svahy.
- Dbejte zvýšené opatnosti při jízdě vzad, nebo tažení zařízení směrem k vám.
- Zastavte nože, pokud se musí zařízení naklonit z důvodu přepravy při přejezdění jiných než travnatých povrchů a při přepravě zařízení na a z prostoru, kde se má sekat tráva.
- Nikdy nepoužívejte zařízení s vadnými ochrannými kryty, štíty nebo bez bezpečnostních zařízení, např. instalované vychylovače anebo lapače trávy.
- Zapněte motor podle pokynů, nohy udržujte v bezpečné vzdálenosti od nožů.
- Při zapínání motoru zařízení nenaklánějte s výjimkou případů, kdy se musí zařízení naklonit z důvodu spuštění. V takovém případě jej nenaklánějte více, než je nezbytně nutné, a zdvihněte pouze jednu část, která vzdálenější od obsluhy. Před vrácením zařízení na zem dbejte, aby byly obě ruce v provozní poloze.
- Zařízení nespouštějte, když stojíte před výstupním otvorem.
- Nestrkejte ruce ani nohy do blízkosti nebo pod rotující části. U rotačních sekaček se vždy vyhýbejte výstupnímu otvoru.
- Nikdy zařízení nezdvihejte ani nepřenášejte, pokud je motor v chodu.
- Před nastavením nebo čištěním sekačku vypněte, zkontrolujte, že se všechny pohyblivé části zcela zastavily a vyjměte vyjimatelný akumulátor (nebo blokovací zařízení):
 - Kdykoliv od stroje odcházíte;
 - Před odstraněním překážky a čištěním vývodu;
 - Před kontrolou, čištěním nebo prací na zařízení;

- Po nárazu do cizího tělesa. Zkontrolujte, zda nedošlo k poškození zařízení, a v případě potřeby proveďte opravu.
- Pokud začne zařízení neobvykle vibrovat (ihned zkontrolujte):
 - Zkontrolujte, zda není poškozené;
 - Vyměňte nebo opravte všechny poškozené díly;
 - Zkontrolujte, zda jsou všechny díly utažené.

ÚDRŽBA A SKLADOVÁNÍ

- Při nastavení stroje buďte opatrní, aby se vám nezachytily prsty mezi žací nože a pevné díly zařízení.
- Řádně utahujte všechny šrouby a matice pro zajištění bezpečného provozního stavu zařízení.
- Často kontrolujte opotřebením nebo poškozením lapače trávy.
- Z důvodu bezpečnosti opotřebené nebo poškozené díly vyměňte.
- Při servisu nožů nezapomínejte, že i když je napájení vypnuté, mohou se nože stále otáčet.
- U rotačních sekaček dbejte při výměně na použití správného typu řezacího nástroje.

BEZPEČNOST OSOB

Pokud obsluha nedbá přítomnosti dětí, může dojít k tragickým nehodám. Děti se často zajímají o sekačku a sekání trávy. Nechápu hrozící nebezpečí. Nikdy nepředpokládejte, že děti zůstanou na místě, kde jste je naposled spatřili.

- Udržujte děti mimo prostor, kde sekáte trávu, a pod pečlivým dohledem další odpovědné dospělé osoby.
- Dávejte pozor, a vypněte sekačku, pokud dítě vstoupí do daného prostoru.
- Dbejte zvýšené pozornosti, když se blížíte k nepřehledným rohům, dveřím, keřům, stromům nebo jiným objektům, které vám mohou zakrýt výhled na dítě, které může vběhnout pod sekačku.
- Děti musí být pod dozorem, aby si se sekačkou nehrály.
- Při vyjímání akumulátoru ze sekačky ji vždy vypněte. Zastavte nože, pokud se musí zařízení naklonit z důvodu přepravy při přejíždění jiných než travnatých povrchů a při přepravě zařízení na a z prostoru, kde se má sekat tráva.

POUŽITÍ OBECNÉ POUŽITÍ:

- Pečlivě si přečtete celý tento návod k obsluze, než začnete s montáží stroje. Před použitím si přečtete,

seznamte se a dodržujte všechny pokyny na stroji a v návodu. Před použitím stroje se seznamte se všemi ovládacími prvky a správným použitím. Uchovávejte tento návod na bezpečném místě pro budoucí a pravidelné použití a pro objednávku náhradních dílů.

- Používejte správné zařízení – nepoužívejte sekačku na trávu k jiné práci, než ke které je určena.
- Nepřeceňujte své síly – vždy udržujte pevný postoj a rovnováhu.
- Předměty zasažené nožem sekačky na trávu mohou způsobit vážný úraz. Před každým sekáním trávy trávník vždy pečlivě prohleďte a odstraňte z něj všechny předměty.
- Před a při pohybu vzad se podívejte za sebe a dolů, zda kolem sebe nemáte malé děti nebo jiné osoby.
- Tento stroj není hračkou. Proto dbejte vždy zvýšené opatrnosti. Vaše sekačka byla navržena tak, aby vykonávala jednu práci: sekala trávu. Nepoužívejte ji k jiným účelům.
- Sekačku na trávu nepřetěžujte – svou práci bude lépe a bezpečněji vykonávat v rámci parametrů, pro něž byla určena.
- Před použitím vždy vizuálně zkontrolujte nože, šrouby nožů a žací mechanismus, zda nejsou opotřebené nebo poškozené. Opotřebené nebo poškozené nože, šrouby a další součásti vyměňujte současně z důvodu zachování vyvážení. Vyměňte poškozené nebo nečitelné štítky.
- Dbejte zvýšené opatrnosti při jízdě vzad, nebo tažení zařízení směrem k vám.
- Důkladně zkontrolujte prostor, kde budete zařízení používat. Odstraňte kameny, klacky, dráty, hračky a další cizí tělesa, o která můžete zakopnout, nebo je může nabrat a vymrštít nůž. Vymrštěné předměty mohou způsobit vážný úraz. Trasu sekání trávy si naplánujte tak, aby odpadní materiál nesměřoval na cesty, chodníky, ostatní osoby apod. Dbejte také, aby odpadní materiál nesměřoval proti zdem nebo jiným překážkám, ok kterých by se mohl odrazit zpět směrem k obsluze.
- Aby nedošlo ke kontaktu s nožem nebo zranění vymrštěnými předměty, zůstaňte v zóně obsluhy za rukojetí a udržte při práci děti, ostatní osoby, pomocníky a domácí zvířata v bezpečné vzdálenosti aspoň 30m od sekačky. Pokud někdo vstoupí do prostoru, stroj zastavte.
- Při práci a nastavení nebo opravě vždy noste ochranné brýle, kterými si chráníte oči. Odražené vymrštěné předměty mohou způsobit vážné poranění očí. Vždy noste ochrannou masku nebo protiprachový respirátor, pokud je práce prašná.

- Vhodně se oblékněte – nenoste volný oděv ani šperky. Mohou se zachytit v pohyblivých částech. Při práci venku doporučujeme použít gumové rukavice a boty. Noste pevnou pracovní obuv s drsnou podrážkou a přiléhavé kalhoty a košile. Doporučujeme košile a kalhoty, které zakrývají paže a nohy a boty s ocelovou špičkou. Nikdy stroj nepoužívejte, když jste bosí, v sandálech, kluzkých nebo lehkých (např. plátěných) botách.
- Nestrkejte ruce ani nohy do blízkosti nebo pod šasi sekačky. Kontakt s nožem může zranit ruce a nohy.
- Chybějící nebo poškozený výstupní kryt může vést ke kontaktu s nožem nebo úrazu vymrštěným předmětem.
- K řadě úrazů dochází v důsledku přetažení sekačky přes nohu při pádu způsobeném uklouznutím nebo klopýtnutím. Pokud padáte, nedržte se sekačky; rukojeť okamžitě pusťte.
- Za chůze nikdy netahejte sekačku zpět směrem k sobě. Pokud musíte se sekačkou couvat před zdí nebo překážkou, nejprve se podívejte dolů a za sebe, abyste neklopýtli, a pak postupujte podle následujících kroků:
 - Ustupte od sekačky na délku paže.
 - Zkontrolujte, zda držíte rovnováhu a máte pevný postoj.
 - Pomalu táhněte sekačku zpět ne více než na polovinu vzdálenosti mezi vámi a sekačkou.
 - Tyto kroky opakujte podle potřeby.
- Se sekačkou nepracujte pod vlivem alkoholu nebo jiných návykových látek.
- Nikdy nepoužívejte zařízení s vadnými ochrannými kryty, štíty nebo bez bezpečnostních zařízení, např. instalovaný vychylovače anebo lapače trávy.
- Buďte pozorní – sledujte, co děláte. Buďte soudní. Nepoužívejte sekačku na trávu, pokud jste unavení.
- Rukojeť ovládání motoru/nože je bezpečnostním zařízením. Nikdy se nepokoušejte obejít jeho funkci. Pokud tak učiníte, bezpečnostní zařízení nefunguje a výsledkem může být úraz v důsledku kontaktu s rotujícím nožem. Rukojeť ovládání motoru/nože se musí snadno ovládat v obou směrech automaticky vracet po uvolnění do výchozí polohy.
- Vyhnete se nebezpečnému prostředí – nepoužívejte sekačky na trávu ve vlhkém nebo mokřém prostředí.
- Nepoužívejte ji v dešti.
- Vždy dbejte na pevný postoj. Uklouznutí a pád může způsobit vážný úraz. Pokud máte pocit, že ztrácíte půdu pod nohama, uvolněte okamžitě rukojeť ovládání motoru/nože, nůž se zastaví během tří sekund.
- Nůž zastavte, když přejíždíte šterkové příjezdové cesty, chodníky nebo cesty.
- Pokud začne zařízení nenormálně vibrovat, zastavte motor a okamžitě vyhledejte příčinu. Vibrace obvykle upozorňují na problém.
 - Zkontrolujte, zda není poškozené;
 - Vyměňte nebo opravte všechny uživatelsky vyměnitelné poškozené díly;
 - Zkontrolujte, zda jsou všechny díly utažené.
- Nikdy nepoužívejte sekačku bez instalovaného a funkčního zadního štítu, krytu výstupu, vaku na trávu, mulčovací vložky, bočního vývodu, rukojeti ovládání motoru/nože nebo bezpečnostních a ochranných zařízení. Nikdy nepoužívejte sekačku s poškozenými bezpečnostními zařízeními. Nedodržení uvedených pokynů může vést ke zranění.
- Pokud nastane situace, která není popsána v tomto návodu, použijte pečlivý a dobrý úsudek. Pro pomoc kontaktujte zákaznický servis společnosti EGO.
- Používejte pouze následující akumulátory a nabíječky:

AKUMULÁTOR	NABÍJEČKA
BA1120E, BA2240E, BA2800, BA3360, BA4200	CH5500E, CH2100E
- Před likvidací vyjměte ze zařízení akumulátor.
- Akumulátor likvidujte bezpečným způsobem.

POUŽITÍ NA SVAHU:

Svahy jsou hlavním faktorem souvisejícím s nehodami při uklouznutí a pádu, což může vést k vážnému úrazu. Ve svahu vždy dbejte na pevný postoj. Použití na svazích vyžaduje zvýšenou opatrnost. Pokud se na svahu cítíte nejistí, nesekejte jej.

Co dělat:

- Sekat trávu ve svahu podélně; nikdy nesekejte nahoru a dolů. Dbejte zvýšené opatrnosti při změně směru svahu.
- Dávejte pozor na díry, vyjeté koleje, kameny, skryté předměty nebo hrboly, na kterých můžete uklouznout nebo klopýtnout. Ve vysoké trávě se mohou skrývat překážky.

Co nedělat:

- Nesekejte trávu v blízkosti srázů, příkopů nebo náspů; můžete ztratit pevnou půdu pod nohama nebo rovnováhu.
- Nesekejte svahy se sklonem přesahujícím 15 stupňů.

- Nesekejte mokrou trávu. Nestabilní postoj může způsobit uklouznutí.

SERVIS

VAROVÁNÍ: Součástí vaku na trávu, výstupní kryt, boční vývod, mulčovací vložka a zadní štít se mohou opotřebovat a poškodit, což může odhalit pohyblivé části, nebo umožnit vymrštění předmětů a zvýšit riziko úrazu. Pro zachování bezpečnosti často kontrolujte všechny součásti a poškozené součásti okamžitě vyměňte za originální náhradní díly uvedené v tomto návodu. Kontaktujte zákaznický servis společnosti EGO, nebo vaše nejbližší servisní středisko společnosti EGO, opravy a výměny musí provést kvalifikovaný servisní technik!

- Pokud se spínač vestavěné ochrany proti přetížení spouští často, kontaktujte zákaznický servis společnosti EGO, nebo vaše nejbližší zákaznické středisko společnosti EGO.
- Sekačku nemýjte hadicí; dbejte, aby se do motoru a elektrických přípojek nedostala voda.
- Vytáhněte klíč a uskladněte nepoužívanou sekačku na trávu v interiéru. Před uskladněním v uzavřeném prostoru nechejte motor vychladnout. Sekačka na trávu by se měla skladovat na suchém, vysoko položeném nebo uzamykatelném místě mimo dosah dětí.
- Při opravách používejte pouze originální náhradní díly uvedené v tomto návodu. Použití dílů, které nespĺňují specifikace originálního vybavení může vést k nekvalitnímu výkonu a narušení bezpečnosti.
- Před servisem, čištěním nebo odstraňováním materiálu ze sekačky na trávu vyjměte nebo odpojte akumulátor.
- Dodržujte pokyny pro mazání a výměnu příslušenství.
- Udržujte rukojeti suché, čisté, bez oleje a maziva.
- Aby se snížilo riziko vzniku požáru, udržujte kryt motoru čistý, bez trávy listů a usazených nečistot.
- V pravidelných intervalech kontrolujte správné utažení upevňovacích šroubů nože a motoru. Rovněž vizuálně zkontrolujte, zda není poškozen nůž (např. ohnutý, prasklý nebo opotřebovaný). Nůž vyměňte pouze za originální náhradní nůž uvedený v tomto návodu.
- Provádějte pečlivou údržbu sekačky – udržujte nůž sekačky ostrý a čistý pro dosažení nejlepších a nejbezpečnějších výkonů. Nože sekačky jsou ostré, můžete se pořezat. Při jejich servisu nůž obalte nebo použijte rukavice a dbejte zvýšené opatrnosti.
- Nikdy neupravujte ani nezasahujte do bezpečnostních zařízení. Pravidelně kontrolujte jejich správnou funkci. Nikdy nedělejte nic, co by bylo v rozporu s funkcí bezpečnostního zařízení, nebo omezovalo ochranu zajištěnou bezpečnostním zařízením.
- Před úpravami kol nebo výšky sekání vždy vypněte motor.
- Po nárazu do cizího tělesa zastavte motor, vytáhněte klíč a pečlivě zkontrolujte, zda nedošlo k poškození sekačky. Před spuštěním sekačky poškození opravte.
- Udržujte nebo vyměňujte bezpečnostní štítky a štítky s pokyny podle potřeby. Kontaktujte zákaznický servis společnosti EGO, nebo vaše nejbližší servisní středisko společnosti EGO, opravy a výměny musí provést kvalifikovaný servisní technik!

TYTO POKYNY USCHOVEJTE PRO BUDOUCÍ

POUŽITÍ. Používejte je často a také k poučení dalších osob, které mohou toto nářadí používat. Pokud nářadí někomu půjčíte, půjčte mu také tento návod k obsluze, aby nedošlo k nesprávnému použití výrobků nebo případně k úrazu.

POUŽITÍ A PÉČE O AKUMULÁTOR

- Chcete-li zachovat přírodní zdroje, akumulátory recyklujte nebo správně likvidujte. Tento výrobek obsahuje lithium-iontové akumulátory. Místní nebo národní právní předpisy zakazují likvidaci lithium-iontových akumulátorů spolu s běžným odpadem. Informace o možných způsobech recyklace anebo likvidace vám podá místní úřad pro likvidaci odpadů.
- Po vyjmutí akumulátoru za účelem likvidace nebo recyklace zalepte póly akumulátoru odolnou lepicí páskou. Nepokoušejte se akumulátor zničit nebo rozebrat ani odstranit žádnou z jeho částí. Lithium-iontové akumulátory se musí řádně recyklovat nebo likvidovat. Nikdy se také nedotýkejte pólů kovovými předměty anebo částmi těla, může dojít ke zkratu. Uchovávejte mimo dosah dětí. Nedodržení těchto varování může vést ke vzniku požáru anebo k vážnému úrazu.
- **V NEPŘÍZNIVÝCH PODMÍNKÁCH MŮŽE DOJÍT K ÚNIKU TEKUTINY Z AKUMULÁTORU; VYHNĚTE SE STYKU S NÍ. POKUD DOJDE K NEÚMYSLNÉMU STYKU, OPLÁCHNĚTE MÍSTO VODOU. POKUD DOJDE K ZASAŽENÍ OČÍ, VYHLEDEJTE NAVÍC LÉKAŘSKÉ OŠETŘENÍ.** Kapalina unikající z akumulátoru může způsobit podráždění nebo popáleniny.

SPECIFIKACE

Číslo modelu	LM2010E	LM2010E-SP
Systém pojezdu	Ne	Ano
Napětí	56 V	56 V
Rychlost při chodu naprázdno	3150 /min	3150 /min

Výška sekání	25-95 mm	25-95 mm	
Polohy výšky sekání	6	6	
Velikost šasi	51 cm	51 cm	
Šířka sekání	50 cm	50 cm	
Objem vaku na trávu	60 L	60 L	
Hmotnost sekačky (bez akumulátoru)	25,1 kg	28,1 kg	
Model nože	AB2001	AB2001	
Měřená úroveň akustického výkonu L_{WA}	94 dB(A)	94,32 dB(A)	
Hladina akustického tlaku na sluch obsluhy L_{PA} $K=2,5$ dB(A)	82,5 dB(A)	85,6 dB(A)	
Zaručená úroveň akustického výkonu L_{WA} (podle směrnice 2000/14/ES)	96 dB(A)	96 dB(A)	
Vibrace a_{hv} $K=1,5$ m/s ²	Levá rukojeť	3,65 m/s ²	1,08 m/s ²
	Pravá rukojeť	1,64 m/s ²	0,88 m/s ²
Brzda nože	Ano	Ano	

- Celková deklarovaná hodnota vibrací byla naměřena podle standardní zkušební metody a lze ji použít ke srovnání s jiným nářadím;
- Celkovou deklarovanou hodnotu vibrací lze použít také k předběžnému stanovení expozičních limitů.

POZNÁMKA: Emise vibrací při konkrétním použití elektrického nářadí se mohou lišit od deklarované hodnoty, při které se nářadí používá; z důvodu ochrany provozovatele by měl uživatel ve skutečných pracovních podmínkách nosit rukavice a chrániče sluchu.

OBSAH BALENÍ

NÁZEV DÍLU	MNOŽSTVÍ
Sekačka na trávu	1
Vak na trávu	1
Rám vaku na trávu	1
Mulčovací vložka	1
Boční vývod	1
Bezpečnostní klíč	2
Návod k obsluze	1

POPIS

SEZNAMTE SE SE SVOU SEKAČKOU (obr. A, B, C, D a E)

1. Spoušť pojezdu
2. Rukojeť
3. Pákový spínač (spínací páka)
4. Tlačítko spínače
5. Vak na trávu
6. Kolečko rychlého nastavení
7. Páka na nastavení výšky sekání
8. Zadní kolo
9. Boční vývod
10. Boční výstupní dvířka
11. Šasi sekačky
12. LED světlomety
13. Přední kolo
14. Kryt akumulátoru
15. Zadní rukojeť
16. Zadní výstupní dvířka
17. Regulační páka rychlost pojezdu
18. Zadní štít
19. Otvor pro bezpečnostní klíč
20. Tlačítko pro uvolnění akumulátoru
21. Spínač pro LED světlomety
22. Kontrolka nabití sekačky
23. Mulčovací vložka
24. Boční vývod

POUŽITÍ

MONTÁŽ VAKU NA TRÁVU

- 1) Nasuňte vak na trávu na rám (obr. F).
- 2) Namontujte horní svorky na rám (obr. G), a pak namontujte dvě boční svorky. Spodní svorku namontujte jako poslední.
- 3) Kompletně smontovaný vak na trávu je znázorněn na obr. H.

NASTAVENÍ SKLOPNÉ RUKOJETI

VAROVÁNÍ: Nepokoušejte se spouštět sekačku, dokud není rukojeť zajištěna v jedné ze tří předem nastavených provozních poloh (HORNÍ PROVOZNÍ POLOHA, STŘEDNÍ PROVOZNÍ POLOHA nebo DOLNÍ PROVOZNÍ POLOHA).

CZ

Vaše sekačka se dodává s rukojetí v kompaktní, ZAJIŠTĚNÉ SKLADOVACÍ POLOZE (obr. I).

- 1) Vytáhněte obě kolečka rychlého nastavení, otočte jimi o 90° a uvolněte rukojeť ze ZAJIŠTĚNÉ SKLADOVACÍ POLOHY.
- 2) Zdvihněte rukojeť. Zlehka otočte rukojeť dozadu, dokud rukojeť nedosáhne jedné ze tří různých poloh, jak je znázorněno na obr. J. Otočte kolečky o 90°, dokud neuslyšíte a neucítíte, jak kolíky zapadly do správné polohy.

Obr. J, následuje popis dílů:

J-1	Horní provozní poloha
J-2	Střední provozní poloha
J-3	Dolní provozní poloha
J-4	Zajištěná skladovací poloha

POZNÁMKA: Obě kolečka rychlého nastavení musí být při nastavení ve stejné výšce tak, aby mohla zapadnou do dané polohy současně.

NASAZENÍ/SEJMUTÍ VAKU NA TRÁVU/MULČOVACÍ VLOŽKY

VAROVÁNÍ: Nikdy se nepokoušejte provádět úpravy sekačky na trávu aniž byste nejprve zastavili motor, vytáhli bezpečnostní klíč a počkali, než nůž přestane rotovat.

POZNÁMKA: Veškeré příslušenství upevněte k sekačce na trávu než začnete sekat trávu.

■ Nasazení/sejmutí vaku na trávu (obr. K)

Nastavte rukojeť do vhodné provozní polohy. Zdvihněte zadní výstupní dvířka a zahákněte vak na trávu za otočnou tyč. Chcete-li vak na trávu sejmut, zdvihněte jej a vyhákněte z otočné tyče. Nakonec uvolněte zadní výstupní dvířka.

POZNÁMKA: Před nasazením vaku na trávu na sekačku vyjměte předinstalovanou mulčovací vložku.

■ Nasazení/sejmutí mulčovací vložky (obr. L)

Zdvihněte zadní výstupní dvířka a vložte mulčovací vložku do sekačky. Chcete-li ji sejmut, jednoduše ji vytáhněte. Nakonec uvolněte zadní výstupní dvířka.

■ Nasazení/sejmutí bočního vývodu (obr. M)

Zdvihněte boční výstupní dvířka. Srovnejte drážku bočního vývodu s kolíkem výstupních dvířek a zlehka boční výstupní dvířka uvolněte, aby se otočila okolo otočné tyče, dokud se pevně nezapřou o boční vývod. Chcete-li boční vývod sejmut, zdvihněte dvířka bočního vývodu, zdvihněte boční vývod a sejmete jej z montážního kolíku dvířek.

Obr. M, následuje popis dílů:

M-1	Boční výstupní dvířka
M-2	Montážní kolík
M-3	Montážní drážka
M-4	Boční vývod

NASTAVENÍ VÝŠKY SEKÁNÍ (obr. N)

VAROVÁNÍ: Při nastavování výšky udržujte nohy vždy v bezpečné vzdálenosti od šasi. Sekačku lze nastavit do 6 výšek sekání v rozmezí od 20 do 90mm. Vyberte správnou výšku sekání podle typu a stavu trávy.

POZNÁMKA: Při přesunu nářadí dbejte, aby byla výška nastavená v poloze 3 a vyšší. Pokud tak nečiníte, může dojít k poškození nože.

INSTALACE/VYJMUTÍ AKUMULÁTORU (obr. O)

PŘED PRVNÍM POUŽITÍM AKUMULÁTOR NABIJTE.

VAROVÁNÍ: Pokud jsou některé části poškozené nebo chybí, nepokoušejte se instalovat akumulátor na sekačku, nebo ji používat, dokud nevyměníte poškozené nebo chybějící díly. Pokud tak nečiníte, může dojít k vážnému úrazu.

■ Instalace

Zatlačte akumulátor do prostoru pro akumulátor, dokud neuslyšíte „kliknutí“.

■ Vyjmutí

Stiskněte tlačítko pro uvolnění akumulátoru v prostoru pro akumulátor.

Obr. O, následuje popis dílů:

O-1	Otvor pro bezpečnostní klíč
O-2	Bezpečnostní klíč
O-3	Tlačítko pro uvolnění akumulátoru

POZNÁMKA: Dbejte, aby západka na sekačce zapadla na místo a akumulátor byl upevněn k sekačce před spuštěním.

SPUŠTĚNÍ/VYPNUTÍ SEKAČKY

VAROVÁNÍ: Při použití sekačky na trávu může dojít k vyvržení cizích těles do očí, což může způsobit jejich závažné poškození. Při práci se sekačkou nebo při úpravách a opravách noste vždy ochranné brýle.

VAROVÁNÍ: Když sekačku používáte, udržujte od ostatních osob a domácích zvířat bezpečnou vzdálenost aspoň 30m.

VAROVÁNÍ: Nůž se bude otáčet ještě několik sekund po vypnutí sekačky. Před dalším spuštěním nechejte motor/nůž, aby se zastavily. Sekačku se nesnažte rychle vypnout a zapnout.

BEZPEČNOSTNÍ KLÍČ

Aby nedošlo k neúmyslnému spuštění nebo neoprávněnému použití vaší akumulátorové sekačky, je součástí konstrukce vaší sekačky bezpečnostní klíč. Jakmile se bezpečnostní klíč vytáhne ze sekačky, je sekačka kompletně vypnutá.

NEBEZPEČÍ: Rotující nože mohou způsobit vážný úraz. Pokud je sekačka bez dozoru, nebo provádíte úpravy, čištění, servis, sekačku přepravujete, zdvíháte nebo uskládáte, vyjměte bezpečnostní klíč, aby nedošlo k vážnému úrazu.

Spuštění (obr. Q)

- 1) Instalujte akumulátor do sekačky, vložte bezpečnostní klíč do otvoru a zavřete kryt akumulátoru (obr. O).
- 2) Podle obr. P stiskněte bezpečnostní tlačítko.
- 3) Se stlačeným bezpečnostním tlačítkem zdvihněte pákový spínač směrem k rukojeti a uvolněte bezpečnostní tlačítko.

Vypnutí (obr. R)

- 1) Uvolněte pákový spínač.
- 2) Elektrická brzda v automatickém brzdovém mechanismu zastaví rotaci nože během 3 sekund od uvolnění pákového spínače.

SYSTÉM POJEZDU S VARIABILNÍ RYCHLOSTÍ (LM2010E-SP)

Sekačka LM2010E-SP je vybavena funkcí pojezdu s variabilní rychlostí. Systém je nezávislý na spínači nože; nezávisí na rotaci nože.

Chcete-li spustit systém bez rotace nože, přitáhněte spoušť pojezdu k rukojeti.

Pokud chcete pojezd zastavit, uvolněte spoušť pojezdu.

Systém má variabilní rychlost. Pro zvýšení rychlosti posuňte regulační páku rychlosti pojezdu vpřed. Pro snížení rychlosti posuňte regulační páku rychlosti pojezdu vzad (obr. S).

Chcete-li sekat s rotujícím nožem:

- 1) Spusťte sekačku.
- 2) Levou rukou podržte pákový spínač u rukojeti a pravou rukou zatáhněte za spoušť pojezdu směrem k rukojeti.

- 3) Držte pákový spínač a spoušť pojezdu současně u rukojeti pravou rukou a levou rukou nastavte požadovanou rychlost regulační pákou rychlosti pojezdu.

VAROVÁNÍ: Pro snížení rizika úrazu se nikdy nepokoušejte potlačit funkci spínače nebo systému pojezdu. Pojezd používejte pouze k učenému účelu.

PRACOVNÍ LED SVĚTLA NA SEKAČCE (obr. A-12)

Stiskněte tlačítko spínače (obr. D-21) a zapněte/vypněte pracovní LED světla před prostorem pro akumulátor.

KONTROLKA NABITÍ SEKAČKY (obr. D-22)

Sekačka je vybavena kontrolkou nabití, která ukazuje stav nabití akumulátoru a provozní stav sekačky. Kontrolka nabití se rozsvítí, jakmile začne rotovat nůž, nebo když se zapnou pracovní LED světla.

Kontrolka nabití sekačky	Význam	Činnost
Svítil zeleně	Sekačka pracuje správně; akumulátor má kapacitu aspoň 15% nabití	Nevztahuje se
Svítil červeně	Nízká úroveň nabití akumulátoru	Zastavte sekačku a nabijte akumulátor
Bliká červeně	Akumulátor je téměř vybitý	Zastavte sekačku a nabijte akumulátor
Svítil oranžově	Přehřátí sekačky nebo akumulátoru	Vyjměte akumulátor ze sekačky, přemístěte je do stínu a nechejte je zchladnout po dobu aspoň 15 min
Bliká oranžově	Akumulátor je přetížený	Zpomalte tempo, nebo zvýšte výšku sekání pro snížení zátěže

CZ

OCHRANA SEKAČKY PROTI PŘETÍŽENÍ

Aby nedošlo k přetížení, nepokoušejte se odstranit příliš velké množství trávy najednou. Zpomalte tempo sekání, nebo zvýšte výšku sekání.

Vaše sekačka je vybavena vestavěnou ochranou proti přetížení. Pokud dojde k přetížení sekačky, motor se zastaví a kontrolka nabití sekačky začne blikat oranžově. Vyjměte akumulátor ze sekačky. Zkontrolujte, zda se šasi nezaneslo trávou, v případě potřeby jej vyčistěte, a pak instalujte akumulátor a restartujte sekačku.

TEPELNÁ OCHRANA AKUMULÁTORU

Akumulátor při provozu generuje teplo. V horkém počasí se teplo rozptýluje daleko pomaleji. Pokud teplota akumulátoru přesáhne při provozu 70 °C, ochranný obvod sekačky okamžitě zastaví, aby chránil akumulátor před poškozením. Kontrolka nabití sekačky bude svítit oranžově. Uvolněte pákový spínač, počkejte, dokud akumulátor nezchladne na přibližně 67 °C, a pak znovu spusťte sekačku.

ÚDRŽBA

VAROVÁNÍ: Aby nedošlo k vážnému úrazu, vždy před čištěním nebo jinou údržbou vyjměte ze sekačky bezpečnostní klíč a akumulátor.

VAROVÁNÍ: Při opravách použijte pouze originální náhradní díly. Použití jiných dílů může být rizikem nebo způsobit poškození výrobku. Z důvodu bezpečnosti by měl všechny opravy a výměny provádět kvalifikovaný servisní technik.

ČIŠTĚNÍ SEKAČKY

VAROVÁNÍ: Při servisu nebo přepravě sekačky vždy vyjměte bezpečnostní klíč a akumulátor.

Spodní část šasi sekačky čistěte po každém použití, jelikož dochází k hromadění posekané trávy, listí, hlíny a dalších nečistot. Tato kumulace je nežádoucí, protože podporuje korozi kovových dílů a snižuje účinnost sekání sekačky.

Odstraňte nános trávy a listí z hnacího hřídele (pouze LM2010E-SP), kolem něj a rotoru motoru (nepoužívejte vodu). Sekačku setřete čistým a vlhkým hadrem.

SEJMUTÍ/INSTALACE NOŽE

VAROVÁNÍ: Vždy chraňte ruce s pomocí pevných rukavic nebo zabalením břitů nože hadrem nebo jiným materiálem při údržbě nože sekačky.

Sejmutí nože (obr. V).

POZNÁMKA: Pokud se při povolení šroub otáčí s hřídelem motoru, otočte rotorem ručně tak, aby se srovnaly otvory v rotoru a v noži a do vyrovnaných otvorů vložte další kovovou tyč

Instalace nože

Podle montážního postupu na obr. U s rotorem nože směřujícím směrem k šasi a potíštěnou stranou nože směřující směrem ven srovnajte otvory v rotoru s otvory v noži (obr. W) a přišroubujte nůž, jak je znázorněno na obr. X.

Obr. U a V, následuje popis dílů:

U-1	Rotor	U-5	Šroub
U-2	Vnitřní příruba	V-1	Stabilizátor 1
U-3	Vnější příruba	V-2	Stabilizátor 2
U-4	Nůž	V-3	Klíč 14 mm

POZNÁMKA: Doporučený krouticí moment pro utažení šroubu nože je 49–59Nm.

SKLADOVÁNÍ SEKAČKY

- Vyjměte akumulátor ze sekačky a uskladněte jej na chladném, suchém a čistém místě. Neskladujte jej v blízkosti korozivních materiálů jako je např. hnojivo nebo kamenná sůl.
- Sekačku namažte.
- Sekačku uskladněte v krytém, uzavřeném prostoru, který je studený, suchý a mimo dosah dětí.
- Sekačku na trávu nezakrývejte pevnou plastovou fólií. Plastové plachty uzavírají vlhkost okolo sekačky, což způsobuje korozi.
- Sekačku lze skladovat ve svislé nebo vodorovné poloze (obr. Y).
- **VAROVÁNÍ:** Pokud se sekačka převrhne ze svislé polohy, může dojít k poškození sekačky nebo úrazu. Pokud je sekačka ve svislé poloze, udržujte její stabilitu a udržujte ji mimo dosah dětí. Pokud je to možné, skladujte ji ve vodorovné poloze.

Ochrana životního prostředí



Elektrické zařízení, nabíječku a baterie/ nabíjecí baterie nevhazujte do domovního odpadu!

Podle směrnice Evropského parlamentu a Rady 2012/19/EU se musí odpadní elektrická a elektronická zařízení a podle směrnice 2006/66/ES vadné nebo použité akumulátory/baterie sbírat odděleně.

Pokud se elektrická zařízení likvidují na závážkách nebo skládkách, mohou do podzemní vody prosáknout nebezpečné látky, dostat se do potravního řetězce a poškodit tak vaše zdraví a zdravotní stav.

ES PROHLÁŠENÍ O SHODĚ

My, CHERVON EUROPE LTD.
47 CASTLE STREET, READING, RG1 7SR, UNITED KINGDOM

Prohlašujeme, že výrobek **56V lithium-iontový akumulátorová sekačka LM2010E/LM2010E-SP** splňuje základní požadavky na ochranu zdraví a bezpečnost následujících směrnic:

2006/42/ES, 2004/108/ES, 2011/65/EU, 2000/14/ES

Normy a technické specifikace vychází z:

EN 60335-1, EN 60335-2-77, EN 62233, EN 55014-1, EN 55014-2

	LM2010E	LM2010E-SP
Měřená hladina akustického výkonu:	94 dB(A)	94,32 dB(A)
Zaručená úroveň akustického výkonu:	96 dB(A)	96 dB(A)

Peter Melrose
Viceprezident společnosti
Chervon
Chervon Europe

Dong Jianxun
Manažer kvality společnosti

* (Pověřený zástupce společnosti CHERVON odpovědný za technickou dokumentaci)

01/01/2016

CZ

ODSTRAŇOVÁNÍ PROBLÉMŮ

VAROVÁNÍ: Při servisu nebo přepravě sekačky vždy vyjměte bezpečnostní klíč a akumulátor. Vždy chraňte ruce s pomocí pevných rukavic nebo zabalením břitů nože hadrem nebo jiným materiálem při údržbě nože sekačky.

PROBLÉM	PŘÍČINA	ŘEŠENÍ
Sekačka se nespustí	<ul style="list-style-type: none"> ■ Akumulátor je vybitý. ■ Akumulátor není instalován v prostoru pro akumulátor. ■ Obvody akumulátoru nebo sekačky jsou příliš horké. (Kontrolka nabití sekačky se rozsvítí oranžově na dobu 10 sekund) ■ Boční lišty nejsou zcela vysunuté a svorky nezapadly do správné polohy. ■ Rukojeť není nastavená v jedné ze dvou provozních poloh. ■ Šasi sekačky je zanesené trávou a nečistotami. 	<ul style="list-style-type: none"> ■ Nabijte akumulátor. ■ Instalujte akumulátor do sekačky a zatlačte jej, dokud neuslyšíte kliknutí. ■ Nechejte akumulátor nebo sekačku zchladnout, dokud teplota neklesne pod 67 °C. ■ Vysuňte maximálně rukojeť a zajistěte ji oběma svorkami. ■ Nastavte rukojeť do jedné ze dvou provozních poloh. ■ Vyčistěte šasi sekačky a zkontrolujte, zda se může nůž volně otáčet.
Sekačka seká nerovnoměrně	<ul style="list-style-type: none"> ■ Nůž je tupý. ■ Výška sekání není správně nastavená. ■ Nůž je nesprávně namontovaný. 	<ul style="list-style-type: none"> ■ Nabruste nebo vyměňte nůž. ■ Zdvihněte šasi do vyšší polohy výšky sekání. ■ Nůž znovu smontujte podle pokynů v části „INSTALACE NOŽE“ v tomto návodu.
Sekačka se při sekání trávy zastaví	<ul style="list-style-type: none"> ■ Akumulátor je vybitý. ■ Sekačka je přetížená. ■ Šasi sekačky je zanesené trávou a nečistotami. ■ Obvody akumulátoru nebo sekačky jsou příliš horké. (Kontrolka nabití sekačky se rozsvítí oranžově na dobu 10 sekund.) ■ Boční liště se mírně zasunula v důsledku tlačné síly vyvíjené na rukojeť. 	<ul style="list-style-type: none"> ■ Nabijte akumulátor. ■ Zdvihněte výšku sekání nebo zpomalte sekání. ■ Vyčistěte šasi sekačky. Zdvihněte výšku sekání nebo sekejte užší pás. ■ Nechejte akumulátor nebo sekačku zchladnout, dokud teplota neklesne pod 67 °C. ■ Uvolněte svorky. Vysuňte maximálně boční lišty a znovu zajistěte je svorkami.
Sekačka špatně mulčuje	<ul style="list-style-type: none"> ■ Na spodní straně šasi se usazuje posekaná tráva. ■ Sekačka je nastavená tak, aby sekala příliš velké množství trávy najednou. 	<ul style="list-style-type: none"> ■ Počkejte, až tráva před sekáním uschne. ■ Zdvihněte šasi do vyšší polohy výšky sekání.

PROBLÉM	PŘÍČINA	ŘEŠENÍ
Nadměrné vibrace	<ul style="list-style-type: none">▪ Žací nůž je uvolněný.▪ Žací nůž je nevyvážený.▪ Kutterbladet er bøyd.▪ Hřídel motoru je ohnutý.	<ul style="list-style-type: none">▪ Dotáhněte šroub nože.▪ Vyvažte nůž podle pokynů.▪ Vyměňte nůž.▪ Kontaktujte servisní středisko.
Pojistnou svorku rukojeti nelze zajistit v dané poloze	<ul style="list-style-type: none">▪ Boční lišty nejsou maximálně vysunuté.	<ul style="list-style-type: none">▪ Vysuňte maximálně boční lišty, a pak zajistěte svorky.

ZÁRUKA

ZÁRUKA SPOLEČNOSTI EGO

Úplné záruční podmínky společnosti EGO naleznete na webové stránce egopowerplus.com.

PREČÍTAJTE SI VŠETKY POKYNY!



**PREČÍTAŤ SI & POCHOPÍŤ
NÁVOD NA OBSLUHU**

⚠ Zvyškové riziko! Ľudia s elektronickými zariadeniami, ako napríklad kardiostimulátor, musia používanie tohto výrobku konzultovať so svojim lekárom/lekármi. Používanie elektrického zariadenia v tesnej blízkosti kardiostimulátora by mohlo spôsobiť jeho rušenie alebo zlyhanie.

⚠ VAROVANIE: Pre zaistenie bezpečnosti a spoľahlivosti by mal všetky opravy a výmeny vykonávať len kvalifikovaný servisný technik.

Účel použitia a možné nevhodné použitie Výrobok je určený výlučne na kosenie trávy v záhradách súkromných domov. Nesmie byť používaný na kosenie príliš vysokej, suchej alebo mokrej trávy, napr. pastvín; ani na sekanie listov. Výrobok sa musí používať v súlade s účelom použitia. Každé iné použitie sa považuje za prípad nevhodného použitia.

BEZPEČNOSTNÉ SYMBOLY

Účelom bezpečnostných symbolov je upozorniť na možné nebezpečenstvá. Je nevyhnutné, aby ste si našťudovali a pochopili bezpečnostné symboly a vysvetlenia k nim. Samotné výstražné symboly neodstraňujú možné nebezpečenstvá. Pokyny a varovania, ktoré poskytujú, nie sú náhradou vhodných opatrení na prevenciu úrazov.

⚠ VAROVANIE: Uistite sa, že ste si pred použitím tohto výrobku prečítali a pochopili všetky bezpečnostné pokyny uvedené v návode na obsluhu, vrátane všetkých bezpečnostných výstražných symbolov, ako sú "NEBEZPEČENSTVO", "VAROVANIE", A "VÝSTRAHA". Nedodržanie nižšie uvedených pokynov môže spôsobiť úraz elektrickým prúdom, požiar a/alebo vážne zranenie.

SK

VÝZNAM SYMBOLU

BEZPEČNOSTNÝ VÝSTRAŽNÝ SYMBOL: Označuje **NEBEZPEČENSTVO, VAROVANIE, alebo VÝSTRAHU.** Môže byť použitý v spojení s inými symbolmi alebo piktogramami.

⚠ VAROVANIE: Používanie akýchkoľvek elektrických nástrojov môže spôsobiť vniknutie cudzích predmetov do očí, čo môže mať za následok vážne poškodenie zraku. Pred spustením elektrického prístroja do prevádzky si vždy nasadte bežné ochranné okuliare alebo ochranné okuliare

s postrannými krytmi a, v prípade potreby, celo-tvárový štít. Na okuliare alebo štandardné bezpečnostné okuliare s postrannými krytmi odporúčame použiť bezpečnostnú masku Wide Vision.

BEZPEČNOSTNÉ POKYNY

Na tejto strane sú uvedené a popísané bezpečnostné symboly, ktoré sa nachádzajú na výrobku. Predtým, než budete montovať a používať stroj, si prečítajte všetky pokyny, snažte sa im porozumieť a postupujte podľa nich.

	Bezpečnostná výstraha	Opatrenia týkajúce sa vašej bezpečnosti.
	Používajte ochranné okuliare	Pri používaní výrobku si vždy nasadte bežné ochranné okuliare alebo ochranné okuliare s postrannými krytmi a celo-tvárový štít.
	VAROVANIE: Prečítajte si návod na obsluhu	Pred použitím tohto výrobku si musí používateľ prečítať a pochopiť návod na obsluhu, aby sa znížilo riziko poranenia.
	Dávajte pozor na ostré nože.	Nože sa otáčajú i po vypnutí motora. Pred vykonaním údržby odstráňte blokovacie zariadenie. Pred zmenou nastavení alebo čistením stroja ho vypnite a odstráňte odnímateľný akumulátor (alebo blokovacie zariadenie).
	Udržujte osoby v bezpečnej vzdialenosti	Počas používania kosačky zabezpečte, aby osoby a domáce zvieratá zostali vo vzdialenosti aspoň 30m.
	Zhotovenie Trieda II	Konštrukcia s dvojitou izoláciou.
IPX4	Symbol indikátoru napájania	Ochrana proti vniknutiu vody 4. stupňa
V	Volt	Napätie
A	Ampér	Prúd
Hz	Hertz	Frekvencia (cykly za sekundu)
W	Watt	Výkon

min	Minúty	Čas
	Striedavý prúd	Typ prúdu
	Jednosmerný prúd	Typu alebo charakteristika prúdu
n_0	Rýchlosť bez záťaže	Rýchlosť otáčania bez záťaže
... /min	Za minútu	Otáčky za minútu

BEZPEČNOSTNÉ PRAVIDLÁ PRE BEZDRÔTOVÚ KOSAČKU NA TRÁVU

⚠ NEBEZPEČENSTVO: Tento stroj bol vyrobený na to, aby bol používaný v súlade s pravidlami pre bezpečnú prevádzku uvedenými v tomto návode. Rovnako ako u akéhokoľvek typu elektrického zariadenia, nedbalosť alebo chyba na strane používateľa môže viesť k vážnemu zraneniu. Tento stroj môže spôsobiť poranenia rúk a nôh a vymrštenie predmetov. Nedodržanie bezpečnostných pokynov môže mať za následok vážne poranenie alebo smrť.

⚠ VAROVANIE: Pri použití bezdrôtových kosačiek je potrebné vždy dodržiavať základné bezpečnostné opatrenia, aby sa znížilo riziko požiaru, úrazu elektrickým prúdom a zranenia osôb.

DÔLEŽITÉ

PRED POUŽITÍM POZORNE PREČÍTAJTE. UCHOVAJTE PRE BUDÚCNOSŤ.

BEZPEČNOSTNÉ PRAVIDLÁ PRE BEZDRÔTOVÚ KOSAČKU NA TRÁVU:

VÝSTRAHA-NEDOTÝKAJTE SA OTÁČAJÚCICH SA NOŽOV!

ŠKOLENIE

- Pozorne si prečítajte pokyny. Zoznámte sa s ovládacími prvkami a správnym používaním zariadenia.
- Nedovoľte, aby deti alebo osoby, ktoré nie sú oboznámené s týmito pokynmi, používali toto zariadenie. Miestne predpisy môžu obmedzovať vek používateľa.
- Nikdy nekoste trávu v blízkosti osôb, najmä detí, alebo zvierat.
- Obsluha alebo používateľ je zodpovedný za nehody a riziká, ktorým vystavil iné osoby a ich majetok.

PRÍPRAVA

- Pri kosení vždy noste pevnú obuv a dlhé nohavice.

- Nepoužívajte zariadenie, ak ste bosí alebo máte obuté otvorené sandále. Nenoste oblečenie, ktoré je voľné alebo z ktorého visia šnúrky alebo remienky.
- Dôkladne skontrolujte oblasť, kde má byť zariadenie používané a odstráňte všetky kamene, palice, drôty, kosti a iné cudzie predmety.
- Pred použitím vždy vizuálne skontrolujte, či nie sú poškodené nože, skrutky nožov a rezný mechanizmus. Vymeňte opotrebované alebo poškodené nože a skrutky naraz, aby ste zachovali vyváženie. Vymeňte poškodené alebo nečitateľné štítky.

PREVÁDZKA

- Pracujte iba za denného svetla alebo pri dobrom umelom osvetlení.
- Ak je to možné, vyvarujte sa použitiu zariadenia na mokrej trávě.
- Pri pohybe na svahu dbajte na pevný postoj.
- Kráčajte, nikdy nebežte.
- Pri použití kolesových rotačných kosačiek koste trávu krížom cez svah, nikdy nie nahor a nadol.
- Zvýšte opatnosť pri zmene smeru na svahu.
- Nekoste na príliš strmých svahoch.
- Pri cúvaní alebo ťahaní zariadenia smerom k sebe buďte mimoriadne opatrní.
- Zastavte nôž(e), ak chcete zariadenie nakloniť kvôli preprave pri prechádzaní iných povrchov než trávy a pri preprave zariadenia z a do oblasti, ktorá sa má kosiť.
- Nikdy nepoužívajte zariadenie s poškodenými ochrannými krytmi alebo štítkami, alebo bez správne umiestnených bezpečnostných zariadení, napríklad vodiacich plechov a/alebo zberného koša na trávu.
- Zapnite motor podľa pokynov. Dbajte na to, aby boli vaše nohy ďaleko od noža(ov).
- Pri zapínaní motora nenakláňajte zariadenie okrem prípadu, kedy ho treba nakloniť kvôli spusteniu. V tom prípade ho nenakláňajte viac, než je nevyhnutné a zodvihnite iba časť, ktorá je ďalej od používateľa. Pred vrátením zariadenia na zem sa vždy uistite, že máte obe ruky v prevádzkovej polohe.
- Nezapínajte zariadenie, ak stojíte pred výpustným otvorom.
- Nedávajte ruky alebo nohy do blízkosti rotujúcich častí alebo pod ne. Pri používaní rotačných kosačiek sa vždy pohybujte mimo výpustného otvoru.
- Nikdy zariadenie nedvíhajte ani neprenášajte počas chodu motora.
- Pred úpravou nastavenia a čistením vypnite zariadenie a odstráňte odnímateľný akumulátor (alebo blokovacie zariadenie) a uistite sa, že všetky pohyblivé časti sa úplne zastavili:

SK

- kedykoľvek, keď odídete od stroja;
- pred čistením upchatia a uvoľnením výsypky;
- pred kontrolou, čistením alebo prácou na stroji;
- po náraze na cudzí predmet. Skontrolujte, či nie je zariadenie poškodené a podľa potreby vykonajte opravu.
- V prípade, že prístroj začne nezvyčajne vibrovať (ihneď zastavte):
 - skontrolujte prípadné poškodenie;
 - vymeňte alebo opravte poškodené diely;
 - skontrolujte utiahnutie všetkých voľných častí.

ÚDRŽBA A SKLADOVANIE

- Pri nastavovaní stroja buďte opatrní, aby ste predišli zakliesneniu prstov medzi pohybujúce sa nože a pevné časti zariadenia.
- Kontrolujte utiahnutie všetkých závitníc, skrutiek a matic s cieľom zaistiť bezpečný prevádzkový stav.
- Pravidelne kontrolujte zberný kôš kvôli známkam opotrebenia alebo poškodenia.
- V rámci zaistenia bezpečnosti vymeňte opotrebované alebo poškodené diely.
- Pri údržbe nožov si treba uvedomiť, že hoci je zdroj napájania vypnutý, nože sa môžu ešte pohybovať.
- Pri používaní rotačných kosačiek sa uistite, že používate iba správny typ náhradných rezných prostriedkov.

OSOBNÁ OCHRANA

Ak si používateľ neuvedomuje prítomnosť detí, môže prísť k tragickej nehode. Deti často zaujímajú kosačky a kosenie. Nerozumejú nebezpečenstvu. Nepredpokladajte, že deti zostanú tam, kde ste ich naposledy videli.

- Deti musia zostať mimo priestoru, v ktorom sa kosí a pod starostlivým dohľadom zodpovednej dospeléj osoby, ktorá práve nepoužíva zariadenie.
- Dávajte pozor a vypnite kosačku, ak dieťa vstúpi do uvedeného priestoru.
- Zvýšte pozornosť, ak prichádzate k slepým uhlom, pri vchodoch do dverí, kríkoch, stromoch a iných predmetoch, ktoré vám môžu zasiahnuť výhľad na dieťa utekajúce ku kosačke.
- Deti by mali byť pod dohľadom, ktorý zabezpečí, že sa nebudú hrať s kosačkou.
- Vždy vypnite kosačku, ak z prístroja vyberáte akumulátor. Zastavte nôž(e), ak chcete zariadenie nakloniť kvôli preprave pri prechádzaní iných povrchov než trávy a pri preprave zariadenia z a do oblastí, ktorá sa má kosiť.

PREVÁDZKA BEŽNÁ OBSLUHA:

- Dôkladne si prečítajte tento návod na obsluhu v celom rozsahu predtým, než sa pokúsíte zmontovať zariadenie. Pred používaním stroja si prečítajte všetky pokyny, snažte sa im porozumieť a postupujte podľa nich. Pred použitím stroja sa dôkladne oboznámte s jeho ovládacími prvkami a správnym používaním. Uchovávajte túto príručku na bezpečnom mieste pre budúce a pravidelné používanie a pre objednávanie náhradných dielov.
- Používajte správny prístroj - nepoužívajte kosačku na inú činnosť, než na akú je určená.
- Nepreceňujte svoje sily - za každých okolností udržiavajte pevnú postoj a rovnováhu.
- Predmety odrazené od noža kosačky môžu spôsobiť vážne poranenie osôb. Pred kosením vždy trávnik starostlivo prezrite a odstráňte všetky predmety.
- Pred a pri pohybe vzad sa obzrite za seba a dolu a skontrolujte prítomnosť malých detí a ľudí.
- Tento stroj nie je hračka. Preto vždy dbajte na maximálnu opatrnosť. Výrobok bol navrhnutý na jednu činnosť: kosenie trávy. Nepoužívajte ho na iné účely.
- Netlačte kosačku silou - bude lepšie a bezpečnejšie kosiť pri rýchlosti, na ktorú bola navrhnutá.
- Pred použitím vždy vizuálne skontrolujte, či nie sú poškodené nože, skrutky nožov a rezný mechanizmus. Vymeňte opotrebované alebo poškodené nože a skrutky a všetky ďalšie súčasti naraz, aby ostal stroj vyvážený. Vymeňte poškodené alebo nečitateľné štítky.
- Pri cúvaní alebo ťahaní zariadenia smerom k sebe buďte mimoriadne opatrní.
- Dôkladne skontrolujte oblasť, kde má byť zariadenie použité. Odstráňte všetky kamene, palice, drôty, hračky a iné cudzie predmety, o ktoré by mohli nože kosačky zavadiť, nadvihnúť ich a vymrštiť. Vymrštené predmety môžu spôsobiť vážne zranenie. Naplánujte si kosenie tak, aby ste zabránili rozptýleniu materiálu smerom k ceste, chodníkom, okolitým osobám a podobne. Snažte sa tiež vyhnúť vypúšťaniu materiálu proti múru alebo prekážkam, ktoré môže spôsobiť, že sa materiál odrazí späť smerom k obsluhu.
- Počas používania sa snažte predísť kontaktu s nožmi alebo zraneniu spôsobenému vymrštenými predmetmi tým, že budete pracovať v oblasti za rukoväťou a udržiavať deti, okoloidúcich, pomocníkov a domáce zvieratá vo vzdialenosti najmenej 30m od kosačky. Zastavte stroj, ak niekto vstúpi do priestoru.
- Počas používania, nastavovania a opravách vždy noste ochranné okuliare, aby ste si chránili oči. Vymrštené predmety, ktoré sa odrazia, môžu spôsobiť vážne poranenie očí. V pravej prevádzke vždy používajte tvárovú alebo proti prachovú masku.
- Vhodne sa obliekajte - nenoste voľné oblečenie alebo šperky. Môžu sa zachytiť do pohyblivých častí. Pri práci

vonku sa odporúča použiť gumové rukavice a obuv. Noste pracovné topánky s pevnou, drsnou podrážkou a priliehavé nohavice a košeľe. Odporúča sa používať košeľe a nohavice, ktoré zakrývajú ruky a nohy a topánky s oceľovou špicou. Nikdy nepoužívajte tento stroj, ak ste bosí, máte obuté sandále, šmykľavé alebo ľahké topánky (napr. plátenné).

- Nedávajte ruky alebo nohy do blízkosti rotujúcich častí alebo pod spodnú časť kosačky. Kontakt s nožom môže spôsobiť poranenie rúk a nôh.
- Chýbajúci alebo poškodený kryt môže viesť ku kontaktu s nožom a k zraneniam spôsobeným vymrštenými predmetmi.
- Mnoho zranení je dôsledkom ťahania kosačky cez nohy alebo pádu spôsobeného pošmyknutím alebo potknutím. Pri páde sa nedržte kosačky. Ihneď pusťte rukoväť.
- Pri chôdzi nikdy neťahajte kosačku smerom k sebe. Ak musíte odtrhnúť kosačku od steny alebo prekážky, najskôr sa pozrite dolu a za seba, aby ste predišli zakopnutiu a postupujte nasledovne:
 - Odstúpte od kosačky tak, aby ste mohli úplne natiahnuť ruky.
 - Uistite sa, že máte dobrú rovnováhu a správne stojíte.
 - Potiahnite kosačku pomaly späť, nie viac ako na pol cesty smerom k vám.
 - Opakujte tieto kroky podľa potreby.
- Nepoužívajte kosačku, ak ste pod vplyvom alkoholu alebo drog.
- Nikdy nepoužívajte zariadenie s poškodenými ochrannými krytmi alebo štítmí, alebo bez správne umiestnených bezpečnostných zariadení, napríklad vodiacich plechov a/alebo zberného koša na trávu.
- Buďte stále v strehu - dávajte pozor na to, čo robíte. Používajte zdravý rozum. Nepoužívajte kosačku, ak ste unavení.
- Ovládacia páka motora/nožov je bezpečnostné zariadenie. Nikdy sa nesnažte vyhnúť jej použitiu. Môže to spôsobiť odstavenie bezpečnostného zariadenia, čo môže mať za následok zranenie osoby pri kontakte s otáčajúcim sa nožom. Ovládacia páka motora/noža sa musí ľahko pohybovať oboma smermi a pri uvoľnení sa musí automaticky vrátiť do voľnej polohy.
- Vyhnite sa nebezpečnému prostrediu - nepoužívajte kosačky vo vlhkom alebo mokrom prostredí.
- Nepoužívajte v daždi.
- Majte vždy pevný postoj. Pošmyknutie a pád môžu spôsobiť vážne zranenie osoby. Ak máte pocit, že váš postoj nie je pevný, okamžite uvoľnite ovládaciu páku motora/noža a nôž sa do troch sekúnd prestane otáčať.
- Zastavte nôž pri prechádzaní cez štrkové príjazdové cesty, chodníky alebo ulice.

- V prípade, že zariadenie by začalo nezvyčajne vibrovať, vypnite motor a ihneď sa snažte zistiť príčinu. Vibrácie zvyčajne upozorňujú na problém.
 - Skontrolujte prípadné poškodenie;
 - Vymeňte alebo opravte všetky spotrebné náhradné poškodené diely;
 - Skontrolujte utiahnutie všetkých voľných častí.
- Nikdy nepoužívajte kosačku, ak nie je vhodný tieniaci štít, kryt výsyvky, zberný kôš, mulčovacia vložka, bočná výsyvka, ovládacia páka motora/noža alebo iné bezpečnostné ochranné zariadenia na správnom mieste a nefungujú správne. Nikdy nepoužívajte kosačku s poškodenými bezpečnostnými zariadeniami. Ak tak urobíte, môže dôjsť k zraneniu osôb.
- Ak sa vyskytnú situácie, ktoré nie sú zahrnuté v tomto návode, prístupujte k nim s opatnosťou a správnym úsudkom. Pre ďalšie rady kontaktujte zákaznícky servis EGO.
- Používajte akumulátory a nabíjačky uvedené nižšie:

AKUMULÁTOR	NABÍJAČKA
BA1120E, BA2240E, BA2800, BA3360, BA4200	CH5500E, CH2100E

- Pred zošrotovaním stroja musí byť akumulátor odstránený zo zariadenia.
- Batérie sa musia byť likvidovať bezpečne.

PREVÁDZKA NA SVAHU:

Svahy sú hlavným faktorom v súvislosti s pošmyknutím a pádom, ktoré môžu viesť k ťažkým zraneniam. Pri pohybe na svahu dbajte na pevný postoj. Použitie kosačky na svahoch vyžaduje zvýšenú pozornosť. Ak sa na svahu necítite dobre, nekoste ho.

Čo robiť:

- Koste krížom cez svah; nikdy nekoste smerom hore a dolu. Zvýšte opatnosť pri zmene smeru na svahu.
- Dávajte pozor na diery, vyjazdené kolajce, skaly, skryté predmety alebo hrbole, ktoré môžu spôsobiť pošmyknutie alebo zakopnutie. Vysoká tráva môže skrývať prekážky.

Čo nerobiť:

- Nekoste v blízkosti zrázov, priekop alebo násypov; mohli by ste stratiť pevný postoj alebo rovnováhu.
- Nekoste svahy so sklonom väčším ako 15 stupňov.
- Nekoste mokrú trávu. Nestabilný postoj môže spôsobiť pošmyknutie.

SK

ÚDRŽBA

VAROVANIE: Diely zberného koša, kryt výsypky, bočná výsypka, mulčovacia vložka a tieniaci štít podliehajú opotrebovaniu a poškodeniu, ktoré by mohlo odkryť pohyblivé časti alebo vymrštíť predmety a zvýšiť riziko zranenia. Z pohľadu bezpečnosti je dôležité často kontrolovať všetky komponenty a ihneď vymeniť poškodené časti za identické náhradné časti uvedené v návode. Kontaktujte zákaznický servis EGO alebo najbližšie servisné stredisko EGO. Opravu alebo výmenu smie vykonávať len kvalifikovaný servisný technik!

- Ak sa prepínač vstavanej ochrany proti preťaženiu kosačky často vypína, obráťte sa na zákaznické stredisko EGO alebo najbližšie servisné stredisko EGO.
- Na umývanie kosačky nepoužívajte hadicu. Voda by sa dostala do motora a elektrických spojov.
- Ak sa kosačka nepoužíva, vyberte kľúč a uskladnite ju nezapojenú v uzavretom priestore. Pred uložením do uzavretého priestoru nechajte motor vychladnúť. Kosačka musí byť skladovaná v suchom, vysokom alebo uzamykateľnom uzavretom priestore, mimo dosahu detí.
- Pri údržbe používajte iba identické náhradné diely uvedené v tomto návode. Používanie dielov, ktoré nespĺňajú pôvodné technické údaje zariadenia, môže mať za následok nedostatočný výkon a ohrozenie bezpečnosti.
- Odstráňte a odpojte akumulátor pred vykonávaním údržby, čistením alebo odstraňovaním materiálu z kosačky.
- Dodržujte pokyny pre mazanie a výmenu príslušenstva.
- Udržujte rukoväť suchú, čistú a bez oleja a tuku.
- Aby sa znížilo nebezpečenstvo požiaru, dbajte na to, aby bol kryt motora bez trávy, lístia a pevnej špiny.
- V pravidelných intervaloch kontrolujte utiahnutie noža a upevňovacích skrutiek motora. Tiež vizuálne skontrolujte, či nie je nôž poškodený, (napr. prehnutie, praskliny a opotrebenie). Vymeňte nôž len za originálny náhradný nôž uvedený v tomto návode.
- O kosačku sa dôkladne starajte - ostrite nôž a čistite ho, aby ste dosiahli najlepší a najbezpečnejší výkon. Nože kosačky sú ostré a dokážu kosiť. Pri údržbe nôž zabalte alebo použite rukavice. Dbajte na zvýšenú opatrnosť.
- Nikdy neodpájajte bezpečnostné zariadenia, ani s nimi nemanipulujte. Pravidelne kontrolujte ich správnu činnosť. Nevykonávajte činnosti, ktoré by narušali určenú funkciu bezpečnostného zariadenia alebo znižovali ochranu, ktorú bezpečnostné zariadenie poskytuje.
- Pred nastavovaním výšky kolies alebo kosenia vždy zastavte motor.

- Po náraze na cudzí predmet zastavte motor, vyberte kľúč a dôkladne skontrolujte prípadné poškodenie kosačky. Pred použitím kosačky opravte poškodenie.
- Podľa potreby udržiavajte bezpečnostné štítky a štítky s pokynmi v dobrom stave. Kontaktujte zákaznický servis EGO alebo najbližšie servisné stredisko EGO. Opravu alebo výmenu smie vykonávať len kvalifikovaný servisný technik!
- **TIETO POKYNY USCHOVAJTE.** Používajte ich k nahliadnutiu a na poučenie ostatných o používaní tohto stroja. Ak niekomu kosačku požičiate, požičajte mu aj tieto pokyny, aby ste predišli nesprávnemu použitiu výrobku a možnému zraneniu.

POUŽITIE BATÉRIE A STAROSTLIVOSŤ O ŇU

- Batérie náležite recyklujte a vyhadzujte tak, aby ste chránili prírodné zdroje. Tento výrobok obsahuje lítium-iónové batérie. Lokálne alebo národné zákony zakazujú vyhadzovanie lítium-iónových batérií do bežného odpadu. Pre informácie o dostupných možnostiach recyklácie a/alebo likvidácie sa obráťte na miestny úrad pre riešenie odpadu.
- Po vybratí akumulátora, ktorý treba vyhodiť alebo recyklovať, obalte svorky modulu akumulátora pevnou lepiacou páskou. Nepokúšajte sa akumulátor rozbiť alebo rozobrať, prípadne odstrániť niektoré z jeho zložiek. Lítium-iónové batérie sa musia správne recyklovať alebo likvidovať. Nikdy sa nedotýkajte svoriek kovovými predmetmi a/alebo časťami tela, keďže to môže spôsobiť skrat. Uchovávajte mimo dosahu detí. Nedodržanie týchto varovaní môže viesť k požiaru a/alebo vážnemu zraneniu.
- **V NEVHODNÝCH PODMIENKACH MÔŽE Z AKUMULÁTORA UNIKAŤ TEKUTINA; VYHNITE SA KONTAKTU S ŇOU. PRI NÁHODNOM KONTAKTE OPLÁCHNITE DANÉ MIESTO VODOU. PRI ZASIAHNUTÍ OČÍ VYHLADAJTE LEKÁRSKU POMOC.** Unikajúca kvapalina z batérie môže spôsobiť podráždenie alebo popáleniny.

TECHNICKÉ ÚDAJE

Číslo modelu	LM2010E	LM2010E-SP
Samohybný systém	Nie	Áno
Napätie	56 V	56 V
Rýchlosť bez záťaže	3150 /min	3150 /min
Výška kosenia	25-95 mm	25-95 mm
Polohy výšky kosenia	6	6
Veľkosť spodnej strany kosačky	51 cm	51 cm
Šírka kosenia	50 cm	50 cm

Objem zberného koša	60 L	60 L	
Hmotnosť kosačky (bez akumulátora)	25,1 kg	28,1 kg	
Model noža	AB2001	AB2001	
Nameraná hladina akustického výkonu L_{WA}	94 dB(A)	94,32 dB(A)	
Hladina akustického tlaku na uši obsluhy L_{PA} K=2,5 dB(A)	82,5 dB(A)	85,6 dB(A)	
Garantovaná hladina akustického výkonu L_{WA} (merané podľa 2000/14 / ES)	96 dB(A)	96 dB(A)	
Vibrácie A_{hod} K=1,5 m/s ²	Ľavá rukoväť	3.65 m/s ²	1.08 m/s ²
	Pravá rukoväť	1.64 m/s ²	0.88 m/s ²
Brzda noža	Áno	Áno	

- Celková deklarovaná hodnota vibrácií bola naměřena. Deklarovaná celková hodnota vibrácií bola v súlade so štandardnou skúšobnou metódou a môže sa použiť na vzájomné porovnanie jednotlivých nástrojov;
- Deklarovaná celková hodnota vibrácií sa tiež môže použiť na predbežné vyhodnotenie času práce.

UPOZORNENIE: Hodnota vibrácií pri aktuálnom použití elektrického zariadenia sa môže líšiť od deklarovanej hodnoty, v rámci ktorej je stroj používaný; kvôli svojej ochrane by mal používateľ nosiť rukavice a ochranu sluchu podľa aktuálnych podmienok použitia.

OBSAH BALENIA

NÁZOV DIELU	MNOŽSTVO
Kosačka na trávnu	1
Zberný kôš	1
Konštrukcia zberného koša	1
Mulčovacia vložka	1
Bočná výsyпка	1
Bezpečnostný kľúč	2
Návod na obsluhu	1

POPIS

ZOZNÁMTE SA S KOSAČKOU (obr. A & B & C & D & E)

1. Samohybný spúšťač
2. Rukoväť
3. Kyvný prepínač (radiaca páka)
4. Vypínač

5. Zberný kôš
6. Ovládacie koliesko rýchleho nastavenia
7. Páka na nastavenie výšky kosenia
8. Zadné koleso
9. Bočná výsyпка
10. Bočné dvierka výsyanky
11. Spodná časť kosačky
12. LED predné svetlá
13. Predné koleso
14. Kryt akumulátora
15. Zadná rukoväť
16. Zadné dvierka výsyanky
17. Samohybná páka na kontrolu rýchlosti
18. Tieniaci štít
19. Otvor na bezpečnostný kľúč
20. Tlačidlo na uvoľnenie batérie
21. Vypínač LED predných svetiel
22. Indikátor napájania na kosačke
23. Mulčovacia vložka
24. Bočná výsyпка

PREVÁDZKA

ZOSTAVENIE ZBERNÉHO KOŠA

- 1) Nasaďte zberný kôš na konštrukciu (obr. F).
- 2) Pripojte horné svorky ku konštrukcii (obr. G), potom nasaďte dve bočné svorky. Ako poslednú nasaďte spodnú svorku.
- 3) Kompletne zostavený zberný kôš je znázomený na obr. H.

NASTAVENIE SKLOPNEJ RUKOVÄTE

VAROVANIE: Nepokúšajte sa zapnúť kosačku, kým nie je rukoväť blokovaná v jednej z troch prednastavených prevádzkových polôh (HORNEJ PREVÁDZKOVEJ POLOHE, STREDNEJ PREVÁDZKOVEJ POLOHE alebo DOLNEJ PREVÁDZKOVEJ POLOHE).

Kosačka je dodávaná s rukoväťou v kompaktnej, ZAFIXOVANEJ POLOHE PRE SKLADOVANIE (obr. I).

- 1) Vytiahnite dve ovládacie kolieska rýchleho nastavenia a otočte ich o 90°, aby ste uvoľnili rukoväť zo ZAFIXOVANEJ POLOHY PRE SKLADOVANIE.
- 2) Zdvihnite rukoväť. Jemne otočte rukoväť dozadu, až kým sa nedostane do jednej z troch rôznych polôh podľa obr. J. Otočte ovládacie kolieska o 90°, až kým nezačujete a nepocítite, že sa poistný kolík dostal do správnej polohy.

SK

Obr. J pozri nižšie popis dielov:

J-1	Horná prevádzková poloha
J-2	Stredná prevádzková poloha
J-3	Dolná prevádzková poloha
J-4	Zafixovaná poloha pre skladovanie

UPOZORNENIE: Dve ovládacie kolieska na rýchle nastavenie musia byť počas nastavovania v rovnakej výške tak, aby ste ich mohli použiť naraz na nastavenie polohy.

NASADENIE / VYŇATIE ZBERNÉHO KOŠA/ MULČOVACEJ VLOŽKY

VAROVANIE: Predtým než začnete vykonávať zmeny nastavenia kosačky, vždy najskôr vypnite motor, vytiahnite bezpečnostný kľúč a počkajte, kým sa nôž prestane otáčať.

UPOZORNENIE: Pred kosením pripevnite ku kosačke všetko príslušenstvo.

■ Nasadenie / Vyňatie zberného koša (obr. K)

Nastavte rukoväť do vhodnej prevádzkovej polohy. Zdvihnite zadné dvierka výsyvky a zaveste zberný kôš na trávu na otočnú tyč. Ak chcete kôš odstrániť, stlačí ho zdvihnúť a vysunúť z otočnej tyče. Nakoniec pusťte zadné dvierka výsyvky.

UPOZORNENIE: Odstráňte inštalovanú mulčovaciu vložku v kosačke predtým, než k nej pripojíte zberný kôš.

■ Nasadenie / Vyňatie mulčovacej vložky (obr. L)

Zdvihnite zadné dvierka výsyvky a vložte mulčovaciu vložku do kosačky. Ak ju chcete odstrániť, stlačí ju vytiahnuť von. Nakoniec pusťte zadné dvierka výsyvky.

■ Nasadenie / Vyňatie bočnej výsyvky (obr. M)

Zdvihnite dvierka bočnej výsyvky. Nastavte otvor výsyvky kolieskom dverí výsyvky a opatrne uvoľnite dvierka bočnej výsyvky, aby sa otáčali okolo otočnej tyče, až kým sa pevne nezastavia na výsyvke. Pri vyňatí zdvihnite dvere bočnej výsyvky, zdvihnite bočnú výsyvku, uvoľnite koliesko dverí.

Obr. M pozri nižšie popis dielov:

M-1	Bočné dvierka výsyvky
M-2	Nastavenie ovládacieho kolieska
M-3	Nastavenie otvoru
M-4	Bočná výsyvka

NASTAVENIE VÝŠKY KOSENIA (obr. K)

VAROVANIE: Dbajte na to, aby boli vaše nohy v bezpečnej vzdialenosti od spodnej časti kosačky pri nastavovaní jej výšky. Kosačku je možné nastaviť na 6 výšok kosenia v rozmedzí od 20 mm do 90 mm. Vyberte si správnu výšku kosenia podľa typu a stavu trávy.

UPOZORNENIE: Pri presune stroja sa uistite, že výška kosenia je nastavená na polohu 3 a vyššie. Ak tak neurobíte, môže dôjsť k poškodeniu noža.

NASADENIE / ODPOJENIE AKUMULÁTORA (obr. O)

PRED PRVÝM POUŽITÍM HO NABITE.

VAROVANIE: Ak je niektorý diel pokazený alebo chýba, nepokúšajte sa akumulátor pripojiť do kosačky alebo s kosačkou pracovať, až kým sa pokazený alebo chýbajúci diel nevymení. Ak tak neurobíte, môže dôjsť k vážnemu zraneniu.

■ Nasadenie

Zatlačte akumulátor do priestoru pre batériu, až kým nezačujete "cvaknutie".

■ Odpojenie

Stlačte tlačidlo na uvoľnenie batérie v priestore na batériu.

Obr. O pozri nižšie popis dielov:

O-1	Otvor na bezpečnostný kľúč
O-2	Bezpečnostný kľúč
O-3	Tlačidlo na uvoľnenie batérie

UPOZORNENIE: Pred použitím sa uistite, že západka na kosačke zapadla na svoje miesto a že akumulátor je pripevnený ku kosačke.

SPUSTENIE / ZASTAVENIE KOSAČKY

VAROVANIE: Používanie akejkoľvek kosačky môže spôsobiť vymrštenie cudzích predmetov do očí, čo môže mať za následok vážne poškodenie zraku. Počas prevádzky, nastavovania alebo opravy kosačky vždy používajte ochranné okuliare.

VAROVANIE: Počas používania kosačky zabezpečte, aby osoby a domáce zvieratá zostali vo vzdialenosti aspoň 30m.

VAROVANIE: Nôž sa bude aj po vypnutí kosačky počas niekoľkých sekúnd naďalej točiť. Pred opakovaným spustením nechajte motor/nôž úplne zastaviť. Nezapínajte a nevypínajte kosačku v rýchlym slede za sebou.

BEZPEČNOSTNÝ KLÚČ

Aby sa zabránilo náhodnému naštartovaniu alebo neoprávnenému použitiu bezdrôtovej kosačky, do konštrukcie kosačky bol začlenený odnímateľný bezpečnostný kľúč. Kosačku nemôžete používať po vytiahnutí bezpečnostného kľúča.

⚠ NEBEZPEČENSTVO: Rotujúce nože môžu spôsobiť vážne zranenie. Vytiahnite bezpečnostný kľúč, ak je kosačka bez dozoru, pri nastavovaní, čistení, údržbe, doprave, zdvíhaní alebo skladovaní kosačky, aby sa predišli vážnemu zraneniu.

Spustenie (obr. Q)

- 1) Pripojte akumulátor ku kosačke, vložte bezpečnostný kľúč do otvoru a zatvorte kryt akumulátora (obr. O).
- 2) Podľa obr. P stlačte bezpečnostné tlačidlo.
- 3) Keď je bezpečnostný kľúč stlačený, potiahnite kyvný prepínač smerom nahor k rukoväti a uvoľnite bezpečnostný kľúč.

Zastavenie (obr. R)

- 1) Uvoľnite kyvný prepínač.
- 2) Elektrická brzda automatického brzdneho mechanizmu zastaví otáčanie noža do 3 sekúnd po uvoľnení kyvného prepínača.

SAMOHYBNÝ SYSTÉM S PREMENLIVOU RÝCHLOSŤOU

Kosačka LM2010E-SP je vybavená samohybnou schopnosťou s premenlivou rýchlosťou. Tento systém je nezávislý na vypínači noža ON-OFF; nie je závislý na rotácii noža.

Ak chcete používať systém bez rotácie noža, zatiahnite samohybný spúšťač k rukoväti.

Pre vypnutie samohybný spúšťač uvoľnite.

Systém má premenlivú rýchlosť. Ak chcete rýchlosť zvýšiť, posuňte ovládaciu páku rýchlosti samohybného systému dopredu. Ak chcete rýchlosť znížiť, posuňte ovládaciu páku rýchlosti samohybného systému dozadu (obr. S).

Použitie otáčajúceho sa noža na kosenie:

1. Zapnite kosačku.
2. Podržte ľavou rukou kyvný prepínač proti rukoväti, zatiahnite samohybný spúšťač pravou rukou k rukoväti.
3. Podržte naraz kyvný prepínač a samohybný spúšťač proti rukoväti pravou rukou a použite ľavú ruku na nastavenie kontrolnej páky rýchlosti samohybného systému na výber požadovanej rýchlosti.

⚠ VAROVANIE: Ak chcete znížiť riziko zranenia, nikdy sa nepokúšajte anulovať funkciu prepínača alebo samohybného systému. Používajte samohybný pohon iba na daný účel.

LED PRACOVNÉ SVETLÁ NA KOSAČKE (obr. A-12)

Stlačte tlačidlo vypínača (obr. D-21) na zapnutie/vypnutie LED pracovných svetiel v prednej časti priestoru na batériu.

INDIKÁTOR NAPÁJANIA NA KOSAČKE (obr. D-22)

Kosačka je vybavená indikátorom napájania, ktorý ukazuje stav nabitia akumulátora a prevádzkový stav kosačky. Indikátor napájania sa rozsvieti, keď sa nôž otáča alebo keď sú zapnuté LED pracovné svetlá.

Indikátor napájania na kosačke	Význam	Činnosť
Svietiaci zelený	Kosačka funguje správne; batéria je nabitá na minimálne 15%	Neuvádza sa
Svietiaci červený	Slabá batéria	Zastavte kosačku a nabite akumulátor
Blikajúci červený	Batéria je takmer vybitá	Zastavte kosačku a nabite akumulátor
Svietiaci oranžový	Kosačka alebo akumulátor je prehriaty	Vyberte batériu z kosačky, presuňte ich do tieňa a nechajte vychladnúť aspoň 15 minút
Blikajúci oranžový	Kosačka je preťažená	Spomalte tempo, alebo zvýšte výšku kosenia, aby ste znížili záťaž

OCHRANA PROTI PREŤAŽENIU KOSAČKY

Aby nedošlo k poškodeniu v dôsledku stavu preťaženia, snažte sa nekosiť príliš veľa trávy naraz. Spomalte tempo kosenia alebo zvýšte výšku kosenia.

Kosačka má vstavanú ochranu proti preťaženiu obvodu. Keď je kosačka preťažená, motor sa zastaví a indikátor napájania na kosačke bude blikáť na oranžovo. Vyberte akumulátor z kosačky. Skontrolujte, či sa na spodnej strane kosačky nenahromadila tráva a v prípade potreby ju odstráňte. Potom nasadte batériu a kosačku znovu zapnite.

VYSOKOTEPELNÁ OCHRANA BATÉRIE

Akumulátor bude počas prevádzky tvoriť teplo. Teplo sa rozptyľuje pomalšie v horúcom počasí. Ak počas používania teplota batérie prekročí 70 °C, ochranný obvod okamžite vypne kosačku, aby ochránil akumulátor pred poškodením. Indikátor napájania na kosačke bude svietiť na oranžovo. Uvoľnite rukoväť, počkajte, až sa batéria ochladí na približne 67 °C a potom znovu kosačku zapnite.

SK

ÚDRŽBA

VAROVANIE: Ak chcete predísť vážnemu poraneniu osôb, pred čistením alebo vykonávaním údržby vždy vytiahnite bezpečnostný kľúč a akumulátor z kosačky.

VAROVANIE: Pri údržbe používajte iba identické náhradné diely. Použitie iných dielov môže byť nebezpečné a môže spôsobiť poškodenie výrobku. Pre zaistenie bezpečnosti a spoľahlivosti by mal všetky opravy a výmeny vykonávať len kvalifikovaný servisný technik.

ČISTENIE KOSAČKY

VAROVANIE: Pri údržbe alebo preprave kosačky vždy vytiahnite bezpečnostný kľúč a akumulátor.

Spodnú časť konštrukcie kosačky je potrebné čistiť po každom použití, aby ste zabránili hromadeniu pokosenej trávy, listia, hliny a iných nečistôt. Hromadenie je nežiaduce, pretože spôsobí hrdzavenie kovových častí a zníži reznú účinnosť kosačky.

Odstráňte všetku nahromadenú trávu a listie na hnacom hriadeľi alebo okolo neho (iba typ LM2010E-SP) a z ventilátora motora (nepoužívajte vodu). Utrite kosačku dočista vlhkou handričkou.

ODSTRÁNENIE/NASADENIE NOŽA

VAROVANIE: Pri vykonávaní údržby noža kosačky vždy noste pevné rukavice alebo zabaľte rezné hrany do handier alebo iných materiálov, aby ste si chránili ruky.

■ Odstránenie noža (obr. V).

UPOZORNENIE: V prípade, že sa skrutka otáča s hriadeľom motora, pri uvoľňovaní skrutky otočte ručne vrtuľu s cieľom dať do jednej línie otvory vo vrtuli s otvormi v noži a umiestnite do vycentrovaných otvorov ďalšiu kovovú tyč

■ Nasadenie noža

V nadväznosti na montážny postup z obr. U, kedy vrtuľa s nožom smeruje k spodnej časti a vydutá strana noža smerom von, nastavte otvory vrtule do roviny s otvormi v noži (obr. W) a potom utiahnite nôž podľa obr. X.

Obr. U & V pozri nižšie popis dielov:

U-1	Vrtuľa	U-5	Skrutka
U-2	Vnútoraná príruha	V-1	Stabilizátor 1
U-3	Vonkajšia príruha	V-2	Stabilizátor 2
U-4	Nôž	V-3	14 mm francúzsky kľúč

UPOZORNENIE: Odporúčaný krútiaci moment pre utiahnutie skrutky noža je 49-59Nm.

SKLADOVANIE KOSAČKY

- Vyberte akumulátor z kosačky a uložte ho na chladnom, suchom a čistom mieste. Neskladujte ho v blízkosti korozívnych materiálov, ako sú hnojivá alebo kamenná soľ.
- Kosačku namažte.
- Skladujte kosačku v zastrešenom, uzavretom, chladnom a suchom priestore, mimo dosahu detí.
- Nezakrývajte kosačku pevnou plastovou fóliou. Plastové obaly zachytávajú vlhkosť okolo kosačky, čo spôsobuje hrdzavenie.
- Kosačka môže byť uložená vzpriamene alebo ležato (pozri obr. Y).

VAROVANIE: Ak sa kosačka začne preklápať zo zvislej polohy, môže dôjsť k jej poškodeniu či zraneniu osôb. Dávajte pozor na to, aby bola kosačka stabilná a mimo dosahu detí, ak je vo zvislej polohe. Pokiaľ je to možné, skladujte ju na ležato.

Ochrana životného prostredia



Nevyhadzujte elektrické zariadenie, nabíjačku batérií a batérie/nabíjateľné batérie do komunálneho odpadu!

Podľa Zákona EÚ 2012/19/EÚ a Zákona EÚ 2006/66/EC sa elektrické a elektronické zariadenia, ktoré sa už nedajú používať, a chybné alebo použité akumulátory/batérie musia zberať oddelene.

Ak sa elektrické spotrebiče vyhodia na skládku alebo smetisko, môžu nebezpečné látky unikať do podzemných vôd a dostať sa do potravinového reťazca, čo spôsobuje poškodenie zdravia.

ES VYHLÁSENIE O ZHODE

My, CHERVON EUROPE LTD.

47 CASTLE STREET, READING, RG1 7SR, UNITED KINGDOM

vyhlasuje, že výrobok **56V lítium-iónová akumulátorová kosačka LM2010E/LM2010E-SP** spĺňa základné požiadavky na ochranu zdravia a bezpečnosti podľa týchto smerníc:

2006/42/EC, 2004/108/EC, 2011/65/EU, 2000/14/EC

Normy a technické špecifikácie vzťahujúce sa na:

EN 60335-1, EN 60335-2-77, EN 62233, EN 55014-1, EN 55014-2

	LM2010E	LM2010E-SP
Nameraná hladina akustického výkonu:	94 dB(A)	94,32 dB(A)
Garantovaná hladina akustického výkonu:	96 dB(A)	96 dB(A)

Peter Melrose
Viceprezident spoločnosti
Chervon Europe

Dong Jianxun
Manažér kvality spoločnosti
Chervon

* (Autorizovaný zástupca pre spoločnosť Chervon a osoba zodpovedná za technickú dokumentáciu)

01/01/2016

SK

RIEŠENIE PROBLÉMOV

VAROVANIE: Pri údržbe alebo preprave kosačky vždy vytiahnite bezpečnostný kľúč a akumulátor. Pri vykonávaní údržby noža kosačky vždy noste pevné rukavice alebo zabaľte rezné hrany do handier alebo iných materiálov, aby ste si chránili ruky.

PROBLÉM	PRÍČINA	RIEŠENIE
Kosačka sa nedá zapnúť	<ul style="list-style-type: none"> ■ Akumulátor je vybitý. ■ Akumulátor nie je pripojený na správnom mieste v priestore pre batérie. ■ Obvody batérie alebo kosačky sú príliš horúce. (Indikátor napájania na kosačke bude svietiť na oranžovo po dobu 10 sekúnd) ■ Bočné lišty nie sú rozťahnuté na maximálnu dĺžku a svorky nie sú zatvorené v správnej polohe. ■ Rukoväť nie je nastavená na jednu z dvoch prevádzkových polôh. ■ Spodná časť kosačky je upchatá trávou a nečistotami. 	<ul style="list-style-type: none"> ■ Nabite akumulátor. ■ Pripojte akumulátor do kosačky, zatlačte ho, kým nezačujete cvaknutie. ■ Nechajte batériu alebo kosačku vychladnúť, až kým teplota neklesne pod 67 °C. ■ Úplne natiahnite rukoväť a zatvorte obe svorky. ■ Nastavte rukoväť do jednej z dvoch prevádzkových polôh. ■ Vyčistite spodnú časť kosačky a uistite sa, že nôž sa voľne pohybuje.
Kosačka kosí nerovnomerne	<ul style="list-style-type: none"> ■ Nôž je tupý. ■ Výška kosenia nie je správne nastavená. ■ Nôž nie je správne nasadený. 	<ul style="list-style-type: none"> ■ Naostrite alebo vymeňte nôž. ■ Zdvihnite spodnú časť na nastavenie vyššej výšky kosenia. ■ Znovu nasadte nôž podľa časti „NASADENIE NOŽA“ tohto návodu.
Kosačka sa pri kosení zastavuje	<ul style="list-style-type: none"> ■ Akumulátor je vybitý. ■ Kosačka je preťažená. ■ Spodná časť kosačky je upchatá trávou a nečistotami. ■ Obvody batérie alebo kosačky sú príliš horúce. (Indikátor napájania na kosačke bude svietiť na oranžovo po dobu 10 sekúnd.) ■ Bočná lišta sa pri tlaku na rukoväť trochu siahne. 	<ul style="list-style-type: none"> ■ Зарядите батарею. ■ Увеличьте высоту среза или снизьте скорость работы. ■ Очистите платформу газонокосилки. Увеличьте высоту среза или скашивайте более узкую полосу травы. ■ Подождите, пока батарея или газонокосилка не остынут до 67°C. ■ Ослабьте фиксаторы. Вытяните боковые направляющие до конца и снова зафиксируйте их.



PROBLÉM	PRÍČINA	RIEŠENIE
Kosačka nedostatočne mulčuje	<ul style="list-style-type: none">■ Mokrý odrezky trávy sú prilepené na spodnej časti kosačky.■ Kosačka je nastavená na kosenie príliš veľkého množstva trávy naraz.	<ul style="list-style-type: none">■ Pred kosením nechajte trávu vyschnúť.■ Zdvihnite spodnú časť na nastavenie vyššej výšky kosenia.
Stroj nadmerne vibruje	<ul style="list-style-type: none">■ Rezný nôž je uvoľnený.■ Rezný nôž je nevyvážený.■ Kutterbladet er bøyd.■ Hriadeľ motora je ohnutý.	<ul style="list-style-type: none">■ Utiahnite skrutku noža.■ Vyvážte nôž podľa návodu.■ Vymeňte nôž.■ Kontaktuje servisné stredisko.
Uzatvárateľné svorky rukoväte sa nedajú zatvoriť v danej polohe.	<ul style="list-style-type: none">■ Bočné lišty nie sú úplne vysunuté.	<ul style="list-style-type: none">■ Úplne vysuňte bočné lišty, potom zatvorte svorky.

ZÁRUKA

ZÁRUČNÁ POLITIKA EGO

Navštívte webové stránky egopowerplus.com pre úplné podmienky záručnej politiky spoločnosti EGO.

SK

PERSKAITYKITE VISĄ INSTRUKCIJĄ!



PERSKAITYKITE NAUDOJIMO INSTRUKCIJĄ IR ĮSITIKINKITE, AR JĄ SUPRATOTE

⚠ Liekamoji rizika! Žmonėms, kuriems implantuoti elektroniniai prietaisai, pvz., širdies stimulatoriai, prieš pradėdami naudoti šį gaminį, reikia pasitarti su savo gydytoju (-ais). Arti širdies stimulatoriaus veikianti elektros įranga gali trikdyti širdies stimulatoriaus veikimą arba jį sugadinti.

⚠ ĮSPĖJIMAS. Norint užtikrinti saugų ir patikimą gaminio naudojimą, visus remonto ir keitimo darbus turi atlikti kvalifikuotas techninės priežiūros specialistas.

Numatytoji paskirtis ir galimas netinkamas naudojimas. Šis gaminys skirtas tik vežai pjauti namų soduose. Juo negalima pjauti neįprastai aukštos, sausos arba šlapios žolės, pvz., ganyklos pievos, arba smulkinti lapų. Šį gaminį reikia naudoti tik pagal nurodytą paskirtį. Naudojimas bet koku kitu tikslu laikomas netinkamu naudojimu.

SAUGOS SIMBOLIAI

Šių simbolių paskirtis – atkreipti dėmesį į galimus pavojus. Gerai susipažinkite su saugos simboliais bei jų paaiškinimais ir juos įsidėmėkite. Simbolių įspėjimai patys savaime negali apsaugoti nuo pavojų. Jais žymimi nurodymai ir įspėjimai neatstoja tinkamų nelaimingų atsitikimų prevencijos priemonių.

⚠ ĮSPĖJIMAS. Prieš pradėdami naudoti šį gaminį, perskaitykite visus šioje naudojimo instrukcijoje pateiktus saugos nurodymus, taip pat susipažinkite su visais saugos įspėjimaisiais simboliais, tokiais kaip **PAVOJUS**, **ĮSPĖJIMAS** ir **PERSPĖJIMAS**, ir įsitikinkite, ar juos supratote. Nesilaikant visų toliau išdėstytų nurodymų, galima patirti elektros smūgį, sukelti gaisrą ir (arba) sunkiai susižaloti.

SIMBOLIO REIKŠMĖ

SAUGOS ĮSPĖJAMASIS SIMBOLIS: nurodo **PAVOJŲ**, **ĮSPĖJIMĄ** arba **PERSPĖJIMĄ**. Gali būti panaudotas su kitais simboliais arba piktogramomis.

⚠ ĮSPĖJIMAS. Naudojant bet kokius elektrinius įrankius, į akis gali būti išsviesta svetimkūnių, kurie jas gali sunkiai sužaloti. Prieš pradėdami naudoti elektrinį įrankį, visada užsidėkite apsauginius akinius arba apsauginius akinius su šonine apsauga ir, jei reikia, visą veidą dengiantį skydelį. Rekomenduojame naudoti platų matymo lauką užtikrinančią apsauginę kaukę ant akinių arba standartinius apsauginius akinius su šonine apsauga.

SAUGOS NURODYMAI

Šiame puslapyje pavaizduoti ir aprašyti saugos simboliai, kurių gali būti ant šio gaminio. Prieš bandydami surinkti ir naudoti įrenginį, perskaitykite visus ant jo pateiktus nurodymus, įsitikinkite, ar juos supratote, ir jais vadovaukitės.

	Saugos įspėjimas	Atsargumo priemonės, skirtos užtikrinti jūsų saugumą.
	Užsidėkite akių apsaugos priemonę	Naudodami šį gaminį, visada užsidėkite apsauginius akinius arba apsauginius akinius su šonine apsauga ir visą veidą dengiantį skydelį.
	ĮSPĖJIMAS. Perskaitykite naudojimo instrukciją	Kad sumažintų pavojų susižaloti, naudotojas turi perskaityti naudojimo instrukciją ir įsitikinti, ar ją suprato.
	Saugokitės aštrių peilių	Išjungus variklį, peiliai toliau sukasi – išimkite išjungimo įtaisą prieš atlikdami techninės priežiūros darbus. Išjunkite įrenginį ir išimkite išimamąjį akumuliatorių (arba išjungimo įtaisą) prieš reguliuodami arba valydami.
	Neleiskite artintis pašaliniams asmenims	Užtikrinkite, kad kiti žmonės ir augintiniai būtų ne mažesniu nei 30m atstumu nuo vežapjovės, kai ji naudojama.
	II klasės konstrukcija	Dvigubai izoliuota konstrukcija.
IPX4	IP simbolis	4 klasės apsauga nuo vandens patekimo.
V	Volts	Įtampa
A	Amperas	Srovė
Hz	Hercas	Dažnis (ciklai per sekundę)
W	Vatas	Galia
min	Minutės	Laikas
	Kintamoji elektros srovė	Srovės tipas
	Nuolatinė elektros srovė	Srovės tipas arba charakteristika
n ₀	Sūčiai be apkrovos	Sukimosi greitis, kai nėra apkrovos
... /min	Per minutę	Apsisukimai per minutę

AKUMULIATORINEI VEJAPJOVEI TAIKOMOS SAUGOS TAISYKLĖS

▲ PAVOJUS. Šis įrenginys pagamintas naudoti laikantis saugaus naudojimo taisyklių, aprašytų šioje instrukcijoje. Kaip ir naudojant kitokią elektros įrangą, operatoriaus neatsargumas arba klaida gali lemti sunkų susižalojimą. Šis įrenginys gali sužaloti rankas ir kojas, išsviesti daiktus. Nesilaikant visų saugos nurodymų, galima sunkiai arba mirtinai sužaloti.

▲ ĮSPĖJIMAS. Naudodami akumuliatorines vejapjoves, visada imkitės svarbiausių atsargumo priemonių, kad sumažintumėte gaisro, elektros smūgio ir susižalojimo pavojų.

SVARBU

ATIDŽIAI PERSKAITYKITE PRIEŠ NAUDODAMI. PASIDĖKITE, KAD PRIREIKUS GALĖTUMĖTE PASIŽIURĖTI.

AKUMULIATORINĖMS VEJAPJOVĖMS TAIKOMOS SAUGOS TAISYKLĖS

PERSPĖJIMAS – NELIESKITE BESISUKANČIO PEILIO!

MOKYMAS

- Atidžiai perskaitykite instrukciją. Susipažinkite su valdikliais ir nurodymais, kaip tinkamai naudoti įrenginį.
- Įrenginio niekada neleiskite naudoti vaikams arba žmonėms, nesusipažinusiems su šia instrukcija. Vietiniai teisės aktai gali riboti operatoriaus amžių.
- Niekada nepjaukite vejos, kai netoliese yra žmonių, ypač vaikų, arba augintinių.
- Operatorius arba naudotojas atsako už nelaimingus atsitikimus ir pavojus, keliamus kitiems žmonėms ir jų nuosavybei.

PASIRUOŠIMAS

- Pjaudami veją, visada avėkite tvirtą avalinę ir vilkėkite ilgas kelnes.
- Nenaudokite įrenginio būdami basi arba avėdami sandalus atviru priekiu. Stenkitės nevilkėti drabužių, kurie yra laisvi arba pas kuriuos yra kabančių raištelių.
- Atidžiai apžiūrėkite vietą, kurioje ketinate naudoti įrenginį, ir pašalinkite visus akmenis, pagaliukus, vielas, kaulus ir kitus pašalinius daiktus.
- Prieš naudodami, visada apžiūrėkite, ar peiliai, jų varžtai ir pjoviklio mazgas nėra susidėvėję arba pažeisti. Susidėvėjusius arba pažeistus peilius ir varžtus keiskite kaip rinkinį, kad išsaugotumėte balansą. Pakeiskite pažeistus arba nebeįskaitomus lipdukus.

NAUDOJIMAS

- Veją pjaukite tik dieną arba esant tinkamam dirbtiniam apšvietimui.
- Kai įmanoma, stenkitės nenaudoti įrenginio šlapioje žolėje.
- Visada tvirtai atsistokite nuožulniose vietose.
- Eikite ir niekada nebėkite.
- Naudodami rotacines vejapjoves su ratukais, veją visada pjaukite skersai nuožulnios vietos, o ne kildami aukštyn ir leisdami žemyn.
- Būkite itin atsargūs, kai keičiate kryptį nuožulnioje vietoje.
- Nepjaukite vejos per didelio nuolydžio vietose.
- Būkite itin atsargūs, kai einate atbulomis arba traukiate įrenginį savęs link.
- Sustabdykite peilį (-ius), kai įrenginį reikia pakreipti, kad būtų galima perstumti per paviršių, kuriame nėra žolės, ir kai stumiate įrenginį į vietą, kurioje pjausite veją, arba iš jos.
- Niekada nenaudokite įrenginio, kai saugos priemonės ar skydeliai sugadinti arba kai saugos įtaisai, pvz., kreiptuvai ir (arba) žolės gaudyklės, neuždėti.
- Variklį įjunkite laikydamiesi nurodymų ir patraukę kojas nuo peilio (-ių).
- Įjungdami variklį, nepakreipkite įrenginio, išskyrus atvejus, kai jį būtina pakreipti, kad būtų galima paleisti. Minėtuju atveju pakelkite tik tiek, kiek tikrai reikia, ir kelkite tik tą dalį, kuri yra priešingoje pusėje nei operatorius. Prieš nuleidžiant įrenginį ant žemės, abi rankos visada privalo būti darbinėje padėtyje.
- Nepaleiskite įrenginio, stovėdami priešais išmetimo angą.
- Nedėkite rankų ir kojų arti besisukančių dalių arba po jomis. Dirbant su rotacinėmis vejapjovėmis, reikia visada pasitraukti nuo išmetimo angos.
- Niekada nekelkite ir neneškite įrenginio, kai variklis veikia.
- Išjunkite įrenginį, išimkite išimamąjį akumuliatorių (arba išjungimo įtaisą) ir įsitinkinkite, ar visos judamosios dalys visiškai sustojo, prieš reguliuodami arba valydami:
 - palikdami įrenginį be priežiūros;
 - prieš patraukdami kliūtį arba pašalindami kanale susidariusį kamštį;
 - prieš tikrindami, valydami įrenginį arba dirbdami prie jo;
 - kliudę pašalinį daiktą, patikrinkite, ar įrenginys nepažeistas, ir, jei reikia, sutaisykite.

- Jei įrenginys pradeda neįprastai vibruoti (patikrinkite nedelsdami):
 - patikrinkite, ar nėra pažeidimų;
 - pakeiskite arba sutaisykite visas pažeistas dalis;
 - patikrinkite, ar nėra atsilaisvinusių dalių, ir jas priveržkite.

TECHNINĖ PRIEŽIŪRA IR LAIKYMAS

- Reguluodami įrenginį, būkite atsargūs, kad pirštai neįstrigtų tarp sukamųjų peilių ir nejudamųjų įrenginio dalių.
- Priveržkite visas varžles, varžtus ir sraigtus, kad įrenginį būtų saugu naudoti.
- Dažnai tikrinkite, ar žolės gaudyklė nesusidėvėjusi ir nepradėjusi irti.
- Pakeiskite susidėvėjusias arba pažeistas dalis, kad užtikrintumėte saugumą.
- Atlikdami peilių techninės priežiūros darbus, atminti, kad peiliai gali pasisukti net ir išjungus maitinimo šaltinį.
- Naudodami rotacines vejpajoves, užtikrinkite, kad pjaunamosios dalys būtų keičiamos tik tinkamo tipo atsarginėmis dalimis.

ASMENINĖ SAUGA

Jei operatorius nebus budrus, kai netoliese yra vaikų, gali įvykti tragiška nelaimė. Vaikus dažnai traukia vejpajovės ir vejos pjovimas. Tačiau jie nesuvokia gresiančių pavojų. Niekada nemanykite, kad vaikai liks ten, kur juos pastarąjį kartą matėte.

- Liepkite vaikams pasitraukti iš vietos, kurioje pjaunama veja, ir pasirūpinkite, kad juos akyškai prižiūrėtų atsakingas suaugusysis, kuris nėra operatorius.
- Būkite budrus ir išjunkite vejpajovę, jei į vietą, kurioje dirbate, atėjo vaiku.
- Būkite itin atsargūs, kai artėjate prie kampų, už kurių nieko nematyti, priedurių, krūmų, medžių arba kitų objektų, galinčių užstoti vaiką, bėgantį vejpajovės link.
- Vaikus reikia prižiūrėti ir neleisti jiems žaisti su vejpajove.
- Visada išjunkite vejpajovę, kai išimate akumuliatorių iš įrenginio. Sustabdykite peilį (-ius), kai įrenginį reikia pakreipti, kad būtų galima perstumti per paviršius, kuriame nėra žolės, ir kai stumiate įrenginį į vietą, kurioje pjausite veja, arba iš jos.

NAUDOJIMAS

BENDRIEJI NAUDOJIMO NURODYMAI

- Prieš bandydami surinkti šį įrenginį, atidžiai perskaitykite visą šią naudojimo instrukciją. Prieš naudodami įrenginį, perskaitykite visus ant jo ir instrukcijoje pateiktus nurodymus, įsitikinkite, ar juos supratote, ir jais vadovaukitės. Prieš naudodami įrenginį, išsamiai susipažinkite su valdikliais ir nurodymais, kaip tinkamai naudoti įrenginį. Šią instrukciją laikykite saugioje vietoje, kad prireikus galėtumėte pasižiūrėti arba užsisakyti atsarginių dalių.

- Naudokite tinkamą įrenginį – nenaudokite vejpajovės jokiems darbams, išskyrus numatytąjį.
- Nepraraskite pusiausvyros – visada tvirtai stovėkite ant kojų ir išlaikykite pusiausvyrą.
- Vejpajovės kliudyti objektai gali sunkiai sužaloti žmones. Prieš pjaunant veja, kaskart reikia atidžiai ją apžiūrėti ir pašalinti visus pašalinius daiktus.
- Prieš eidami ir eidami atbulomis, pasižiūrėkite, ar už jūsų nėra mažų vaikų arba kitų žmonių.
- Šis įrenginys – ne žaistas. Todėl visada būkite itin atsargūs. Įrenginys suprojektuotas vienam darbui – pjauti vejai. Nenaudokite jokiais kitais tikslais.
- Nestumkite vejpajovės per jėgą – judėdama numatytoju greičiu, ji pjauna veiksmingiau ir saugiau.
- Prieš naudodami, visada apžiūrėkite, ar peiliai, jų varžtai ir pjoviklio mazgas nėra susidėvėję arba pažeisti. Susidėvėjusias arba pažeistas peilius, varžtus ir kitus komponentus keiskite tuo pat metu, kad išsaugotumėte balansą. Pakeiskite pažeistus arba nebeįskaitomus lipdukus.
- Būkite itin atsargūs, kai einate atbulomis arba traukiate įrenginį savęs link.
- Atidžiai apžiūrėkite vietą, kurioje ketinate naudoti įrenginį. Pašalinkite visus akmenis, pagaliukus, vielas, žaislus ir kitus pašalinius daiktus, už kurių galima užkliūti arba kuriuos gali kliudyti ir išsviesti peilis. Išsviesti daiktai gali sunkiai sužaloti. Vejos pjovimo eigą suplanuokite taip, kad nupjauta žolė nebūtų išmetama kelio, šaligatvio, pašalinių asmenų ir panašių vietų link. Taip pat stenkitės užtikrinti, kad nupjauta žolė nebūtų išmetama į sienas arba kitas kliūtis, nuo kurių ji galėtų atšokti atgal į operatorių.
- Kad nepaliestumėte peilio ir išvengtumėte sužalojimų dėl išsviestų objektų, būkite operatoriumi skirtoje srityje už rankenų ir užtikrinkite, kad vaikai, pašaliniai asmenys, pagalbinkai ir augintiniai būtų bent 30m atstumu nuo vejpajovės, kai ji veikia. Išjunkite įrenginį, jei kas nors atėjo į vietą, kurioje dirbate.
- Visada užsidėkite apsauginius akinius, kai dirbate, reguliuojate arba remontuojate, kad apsaugotumėte akis. Išsviesti ir atšokę daiktai gali sunkiai sužaloti akis. Jei dirbant kyla daug dulkių, visada užsidėkite kaukę arba respiratorių.
- Tinkamai apsirenkite – nedėvėkite laisvų drabužių ir nenešioti laisvai kabančių papuošalų. Judamosios dalys gali juos įtraukti. Dirbant lauke rekomenduojama mėvėti gumines pirštines ir avėti guminę avalynę. Avėkite tvirtus darbinus batus grublėtu padu ir vilkėkite glaudžiai priglundusias kelnes bei marškinius. Rekomenduojama vilkėti rankas ir kojas uždengiančius marškinius bei kelnes ir avėti batus su plienine nosele. Niekada nenaudokite šio įrenginio, būdami basi, avėdami sandalus, slidžius arba lengvus (pvz., medžiaginius) batus.
- Nedėkite rankų ir kojų arti besisukančių dalių arba po pjovimo platforma. Palietus peilį, galima susižaloti rankas arba kojas.

- Jei išmetimo angos gaubtas neuždėtas arba pažeistas, galima paliesti peilį arba patirti sužalojamą dėl išsviestų daiktų.
- Daug sužalojimų patiriama, kai paslydus arba užkliuvus nugriūnama, o vežapjovė patraukiama ant kojos. Nelaikykite vežapjovės, kai krentate – nedelsdami paleiskite rankeną.
- Niekada netraukite vežapjovės atgal (savęs link), kai einate. Jei reikia atitraukti vežapjovę nuo sienos arba kliūtis, pirmiausia pažiūrėkite už savęs, kad neužkliūtumėte, ir atlikite šiuos veiksmus:
 - atitraukite nuo vežapjovės, kad rankos būtų visiškai ištiesios;
 - įsitikinkite, ar išlaikote pusiausvyrą ir tvirtai stovite;
 - iš lėto patraukite vežapjovę atgal, ne daugiau nei pusę jus skiriančio atstumo;
 - jei reikia, kartokite šiuos veiksmus.
- Nedirbkite su vežapjove, jei esate apsvaigę nuo alkoholio arba vaistų.
- Niekada nenaudokite įrenginio, kai saugos priemonės ar skydeliai sugadinti arba kai saugos įtaisai, pvz., kreiptuvai ir (arba) žolės gaudyklės, neuždėti.
- Būkite budrūs – stebėkite, ką darote. Vadovaukitės sveika nuovoka. Nedirbkite su vežapjove, kai esate pavargę.
- Variklio / peilio valdymo rankena yra saugos įtaisas. Niekada nebandykite pakeisti jos veikimo. Kitaip saugos įtaisas neatliks savo funkcijos, todėl kils pavojus susižaloti palietus besisukančią peilį. Variklio / peilio valdymo rankena turi būti lengvai pakreipiama į abi puses, o atleista – automatiškai grįžti į išjungimo padėtį.
- Venkite pavojingos aplinkos – nenaudokite vežapjovių drėgnose arba šlapiose vietose.
- Nenaudokite lyjant lietui.
- Visada tvirtai atsistokite. Paslydus arba nugriuvus, galima sunkiai susižaloti. Jei pajutote, kad prarandate pusiausvyrą, nedelsdami paleiskite variklio / peilio valdymo rankeną – peilis nustos sukis per tris sekundes.
- Sustabdykite peilį, kai stumiate per žvyruotus įvažiavimus, takelius arba kelius.
- Jei įrenginys pradeda neįprastai vibruoti, nedelsdami išjunkite variklį ir nustatykite priežastį. Vibracija paprastai įspėja apie problemą.
 - Patikrinkite, ar nėra pažeidimų.
 - Pakeiskite arba sutaisykite visas pažeistas dalis, kurias leidžiama keisti naudotojui.
 - Patikrinkite, ar nėra atsilaisvusių dalių, ir jas priveržkite.

- Niekada nedirbkite su vežapjove, kai neuždėtas arba neveikia tinkamas galinis skydelis, išmetimo angos gaubtas, žolės maišas, mulčiavimo įdėklas, šoninis išmetimo kanalas, variklio / peilio valdymo rankena ar kiti saugos įtaisai. Niekada nedirbkite su vežapjove, kai saugos įtaisai sugadinti. Kitaip galite susižaloti.
- Susidarius šioje instrukcijoje neaprašyti situacijai, būkite atsargūs ir vadovaukitės sveika nuovoka. Pagalbos kreipkitės į EGO klientų aptarnavimo tarnybą.
- Naudokite tik toliau nurodytus akumulatorius ir įkroviklius.

AKUMULIATORIUS	ĮKROVIKLIS
BA1120E, BA2240E, BA2800, BA3360, BA4200	CH5500E, CH2100E

- Prieš atiduodant įrenginį į metalo laužą, būtina išimti akumuliatorių.
- Akumuliatorių reikia išmesti saugiai.

NAUDOJIMAS NUOŽULNIOJE VIETOJE

Nuožulnios vietos yra pagrindinis veiksnys, susijęs su nelaimingais atsitikimais, kurių metu paslystama ir nugriūnama. Šiose vietose galima sunkiai susižaloti. Visada tvirtai atsistokite nuožulniose vietose. Dirbant nuožulniose vietose, reikia būti itin atsargiems. Jei nuožulnioje vietoje negalite laisvai stovėti, vejos joje nepjaukite.

Nurodymai, ką galima daryti

- Veją visada pjaukite skersai nuožulnios vietos, o ne kildami aukštyn ir leidamiesi žemyn. Būkite itin atsargūs, kai keičiate kryptį nuožulnioje vietoje.
- Stebėkite, ar nėra duobių, provėžų, akmenų, sunkiai pastebimų daiktų arba nelygumų, ant kurių galite paslysti arba už kurių galite užkliūti. Aukšta žolė gali slėpti kliūtis.

Nurodymai, ko negalima daryti

- Nepjaukite vejos arti skardžių, griovių arba pylimų, nes galite paslysti ir netekti pusiausvyros.
- Nepjaukite vejos nuožulnioje vietoje, kurios nuolydis didesnis nei 15 laipsnių.
- Nepjaukite šlapios žolės. Nestabiliai stovėdami galite paslysti.

TECHNINĖ PRIEŽIŪRA

⚠ ĮSPĖJIMAS. Žolės maišo komponentai, išmetimo angos gaubtas, šoninis išmetimo kanalas, mulčiavimo įdėklas ir galinis skydelis gali susidėvėti bei būti pažeisti. Taip nutikus, gali būti neuždengtos judamosios dalys arba neapsaugoma nuo išsviestų daiktų, todėl gali padidėti pavojus susižaloti. Norėdami užtikrinti saugumą, dažnai patikrinkite visus komponentus, o pažeistus komponentus

LT

pakeiskite identiškais atsarginėmis dalimis, nurodytomis šioje instrukcijoje. Kreipkitės į EGO klientų aptarnavimo tarnybą arba artimiausią EGO techninės priežiūros centrą, nes remonto arba keitimo darbus turi atlikti kvalifikuotas techninės priežiūros specialistas!

- Jei vejapjovės įtaisytais apsaugos nuo perkrovos jungiklis dažnai suveikia, kreipkitės į EGO klientų aptarnavimo tarnybą arba artimiausią EGO techninės priežiūros centrą.
- Neplaukite vejapjovės su vandens žarna. Saugokite, kad vandens nepatektų ant variklio ir elektros jungčių.
- Kai vejapjovės nenaudojate, ištraukite raktelį ir laikykite vejapjovę patalpoje. Prieš palikdami vejapjovę bet kioje uždaroje vietoje, palaukite, kol variklis atvės. Vejapjovę reikia laikyti sausoje, aukštai esančioje arba rakinamoje, vaikams nepasiekiamoje vietoje.
- Atlikdami techninės priežiūros darbus, naudokite tik identiškas atsargines dalis, nurodytas šioje instrukcijoje. Naudojant dalis, kurios neatitinka originalios įrangos specifikacijos, vejapjovė gali netinkamai veikti ir tapti nesaugi.
- Prieš atlikdami techninės priežiūros darbus, valydami arba šalinami medžiagas iš vejapjovės, išimkite arba atjunkite akumuliatorių.
- Laikykitės nurodymų dėl tepimo ir priedų keitimo.
- Pasirūpinkite, kad rankenos būtų sausas, švarios ir nesuteptos alyva arba tepalu.
- Norėdami sumažinti gaisro pavojų, pasirūpinkite, kad ant variklio gaubto neprisikauptų žolės, lapų arba apnašų.
- Dažnai patikrinkite, ar peilio ir variklio tvirtinimo varžtai tinkamai priveržti. Taip pat, apžiūrėkite, ar peilis nepažeistas (pvz., neįlenktas, neįtrūkęs ir nesusidėvėjęs). Peilį pakeiskite tik identišku atsarginiu peiliu, nurodytu šioje instrukcijoje.
- Vejapjovės techninės priežiūros darbus atlikite atsargiai – vejapjovės peilis turi būti aštrus ir švarus, kad vejapjovė efektyviai ir saugiai pjautų. Vejapjovės peiliai yra aštrūs ir gali įpjauti. Kai atliekate peilio techninės priežiūros darbus, apvyniokite peilį arba mėvėkite pirštines ir būkite labai atsargūs.
- Niekada nenuimkite ir nmodifikuokite saugos įtaisų. Reguliariai patikrinkite, ar jie tinkamai veikia. Niekada nedarykite nieko, kas trukdytų saugos įtaisui atlikti numatytąją funkciją arba sumažintų saugos įtaiso suteikiamą apsaugą.
- Visada išjunkite variklį prieš reguliuodami ratą arba pjovimo aukštį.
- Jei kliudėte pašalinį daiktą, išjunkite variklį, ištraukite raktelį ir atidžiai apžiūrėkite, ar vejapjovė nepažeista. Sutaisykite pažeidimus prieš naudodami vejapjovę.
- Prireikus sutvarkykite arba pakeiskite saugos ir nurodymų lipdukus. Kreipkitės į EGO klientų aptarnavimo tarnybą arba artimiausią EGO techninės priežiūros centrą, nes remonto arba keitimo darbus turi atlikti kvalifikuotas techninės priežiūros specialistas!
- **IŠSAUGOKITE ŠIĄ INSTRUKCIJĄ.** Dažnai ją pavartykite ir naudokitės ja mokydami kitus asmenis, kurie gali naudoti šį įrenginį. Jei šį įrenginį kam nors skolinatė, taip pat paskolinkite šią instrukciją, kad kitas asmuo tinkamai naudotų šį gaminį ir nesusižalotų.

AKUMULATORIAUS NAUDOJIMAS IR PRIEŽIŪRA

- Akumuliatorių atiduokite perdirbti arba tinkamai išmeskite, kad tausotumėte gamtinius išteklius. Šiame gaminyje naudojamas ličio jonų akumulatorius. Vietiniai ir šalies įstatymai ličio jonų akumulatorius draudžia išmesti su įprastomis šiukšlėmis. Dėl galimų perdirbimo ir (arba) šalinimo būdų pasitarkite su vietine atliekų tvarkymo institucija.
- Prieš išmesdami arba atiduodami perdirbti išimtą akumuliatorių, apvyniokite jo gnybtus su tvirta lipnia juosta. Neardykite ir nelažykite akumulatoriaus, neišimkite jokių jo komponentų. Ličio jonų akumulatorius reikia atiduoti perdirbti arba tinkamai išmesti. Be to, nepalieskite gnybtų metaliniais daiktais ir (arba) kūno vieta, nes gali įvykti trumpasis jungimas. Saugokite nuo vaikų. Nesilaikant šių įspėjimų, galima sukelti gaisrą ir (arba) sunkiai susižaloti.
- **DĖL NETINKAMŲ SĄLYGŲ IŠ AKUMULATORIAUS GALI IŠTEKĖTI SKYSTIS – NELIESKITE JO. JEI NETYČIA PALIETĖTE, NUPLAUKITE VANDENIU. JEI SKYŠČIO PATEKO Į AKIS, NUPLAUKITE IR KREIPKITĖS MEDICININĖS PAGALBOS.** Iš akumulatoriaus ištekėjęs skystis gali dirginti arba nudeginti.

SPECIFIKACIJA

Modelio numeris	LM2010E	LM2010E-SP
Savaeigio važiavimo sistema	Ne	Taip
Įtampa	56 V	56 V
Sūčiai be apkrovos	3150 /min	3150 /min
Pjovimo aukštis	25-95 mm	25-95 mm
Pjovimo aukščio padėtytys	6	6
Pjovimo platformos dydis	51 cm	51 cm
Pjovimo plotis	50 cm	50 cm

Žolės maišo tūris	60 L	60 L
Vejapjovės svoris (be akumulatoriaus)	25,1 kg	28,1 kg
Peilio modelis	AB2001	AB2001
Išmatuotas garso galios lygis L_{WA}	94dB(A)	94,32 dB(A)
Garso slėgio lygis ties operatoriaus ausimi L_{PA} $K=2,5$ dB(A)	82.5 dB(A)	85.6 dB(A)
Garantuojamas garso galios lygis L_{WA} (pagal 2000/14/EB)	96 dB(A)	96 dB(A)
Vibracija $a_{h,v}$ $K=1,5$ m/s ²	Kairioji rankena	3.65 m/s ²
	Dešinioji rankena	1.64 m/s ²
Peilio stabdys	Taip	Taip

- Nurodyta bendroji vibracijos vertė išmatuota taikant standartinį bandymo metodą, todėl pagal ją galima palyginti skirtingus įrenginius.
- Nurodytą bendrąją vibracijos vertę taip pat galima naudoti pirminiam poveikio vertinimui.

PASTABA. Naudojant įrankį realiomis sąlygomis, sklaidžiamos vibracijos stiprumo vertė gali skirtis nuo nurodytos. Kad apsaugotų dirbdamas realiomis sąlygomis, naudotojas turi mūvėti pirštines ir naudoti ausų apsaugos priemones.

PAKUOTĖS TURINIO SĄRAŠAS

DALIES PAVADINIMAS	SKAIČIUS
Vejapjovė	1
Žolės maišas	1
Žolės maišo rėmas	1
Mulčiavimo įdėklas	1
Šoninis išmetimo kanalas	1
Saugos raktelis	2
Naudojimo instrukcija	1

APRAŠAS

PAŽINKITE VEJAPJOVĘ (A, B, C, D ir E pav.)

1. Savaeigio važiavimo jungiklis
2. Rankena
3. Lankelis-jungiklis (jungiklio svirtis)
4. Mygtukas

5. Žolės maišas
6. Greitojo reguliavimo rankenėlė
7. Pjovimo aukščio reguliavimo svirtis
8. Galinis ratas
9. Šoninis išmetimo kanalas
10. Šoninės išmetimo angos dangtis
11. Vejapjovės pjovimo platforma
12. Šviesiodiniai priekiniai žibintai
13. Priekinis ratas
14. Akumulatoriaus dangtis
15. Galinė rankena
16. Galinės išmetimo angos dangtis
17. Savaeigio važiavimo greičio reguliavimo svirtis
18. Galinis skydelis
19. Saugos raktelio lizdas
20. Akumulatoriaus atlaisvinimo mygtukas
21. Šviesiodinių priekinių žibintų mygtukas
22. Maitinimo indikatorius vejapjovėje
23. Mulčiavimo įdėklas
24. Šoninis išmetimo kanalas

NAUDOJIMAS

ŽOLĖS MAIŠO SURINKIMAS

- 1) Užmaukite žolės maišą ant rėmo (F pav.).
- 2) Uždėkite viršutinius spautukus ant rėmo (G pav.), tada uždėkite du šoninius spautukus. Galiausiai uždėkite apatinį spautuką.
- 3) Visiškai surinktas žolės maišas parodytas H pav.

NULENKIAMOSIOS RANKENOS REGULIAVIMAS

⚠️ ĮSPĖJIMAS. Nebandykite paleisti vejapjovės, kol rankena neužfiksuota vienoje iš trijų numatytųjų darbinų padėčių (VIRŠUTINĖJE DARBINĖJE PADĖTYJE, VIDURINĖJE DARBINĖJE PADĖTYJE arba APATINĖJE DARBINĖJE PADĖTYJE).

Vejapjovė pristatoma rankeną nustačius į kompaktišką UŽFIKSUOTĄ LAIKYMO PADĖTĮ (I pav.).

- 1) Ištraukite abi greitojo reguliavimo rankenėles ir pasukite jas 90°, kad atlaisvintumėte rankeną iš UŽFIKSUOTOS LAIKYMO PADĖTIES.
- 2) Pakelkite rankeną. Atsargiai kelkite rankeną atgal tol, kol ji pasieks bet kurią iš trijų skirtingų padėčių, parodytų J pav. Pasukite rankenėles 90° – turite išgirsti ir pajusti, kaip fiksavimo kaištis užsifiksuoja tinkamoje padėtyje.
Toliau pateiktas J pav. parodytų dalių aprašas.

LT

J-1	Viršutinė darbinė padėtis
J-2	Vidurinė darbinė padėtis
J-3	Apatinė darbinė padėtis
J-4	Užfiksuota laikymo padėtis

PASTABA. Kai reguliuojate, abi greitojo reguliavimo rankenėlės turi būti vienodame aukštyje, kad jos galėtų užsifikuoti tuo pat metu.

ŽOLĖS MAIŠO / MULČIAVIMO ĮDĖKLO PRITVIRTINIMAS / NUĖMIMAS

▲ SPĖJIMAS. Niekada nereguliuokite jokių vejamųjų dalių, pirmiau neišjungę variklio, neištraukę saugos raktelio ir nepalaukę, kol peilis nustos sukstis.

PASTABA. Reikiamus priedus prie vejamųjų pritvirtinkite prieš įtaisant veją.

■ Žolės maišo pritvirtinimas / nuėmimas (K pav.)

Nustatykite rankeną į tinkamą darbinę padėtį. Pakelkite galinės išmetimo angos dangtį ir užkabinkite žolės maišą ant strypo. Jei norite nuimti, paprasčiausiai nukelkite žolės maišą nuo strypo. Galiausiai atlaisvinkite galinės išmetimo angos dangtį.

PASTABA. Prieš pritvirtindami žolės maišą prie vejamųjų, nuimkite vejamųjų iš anksto sumontuotą mulčiavimo įdėklą.

■ Mulčiavimo įdėklo pritvirtinimas / nuėmimas (L pav.)

Pakelkite galinės išmetimo angos dangtį ir įdėkite mulčiavimo įdėklą į vejamųjų. Jei norite išimti, paprasčiausiai ištraukite. Galiausiai atlaisvinkite galinės išmetimo angos dangtį.

■ Šoninio išmetimo kanalo pritvirtinimas / nuėmimas (M pav.)

Pakelkite šoninės išmetimo angos dangtį. Sulygiuokite išmetimo kanalo griovelį su išmetimo angos dangčio iškyša ir atsargiai atleiskite šoninės išmetimo angos dangtį, kad jis pasisukęs ant strypo tvirtai atsiremtų į išmetimo kanalą. Jei norite nuimti, pakelkite šoninės išmetimo angos dangtį ir nukelkite šoninį išmetimo kanalą nuo dangčio sujungimo iškyšos.

Toliau pateiktas M pav. parodytų dalių aprašas.

M-1	Šoninės išmetimo angos dangtis
M-2	Sujungimo iškyša
M-3	Sujungimo griovelis
M-4	Šoninis išmetimo kanalas

PJOVIMO AUKŠČIO REGULIAVIMAS (K pav.)

▲ SPĖJIMAS. Kai reguliuojate pjovimo platformos aukštį, patraukite kojas nuo jos. Vejamųjų galima nustatyti 6 pjovimo aukščius nuo 20 mm iki 90 mm. Parinkite tinkamą pjovimo aukštį, atsižvelgdami į žolės tipą ir būklę.

PASTABA. Kai stumiate įrenginį į kitą vietą, užtikrinkite, kad būtų nustatyta 3 arba aukštesnė pjovimo aukščio padėtis. Kitaip galite pažeisti peilį.

AKUMULIATORIAUS ĮDĖJIMAS / IŠĖMIMAS (L pav.)

Prieš naudodami pirmą kartą, įkraukite.

▲ SPĖJIMAS. Jei kurios nors dalys lūžusios arba jų nėra, nebandykite įdėti akumuliatoriaus į vejamųjų arba naudoti vejamųjų tol, kol lūžusios arba trūkstamos dalys nebus pakeistos. Kitaip galite sunkiai susižaloti.

■ Įdėjimas

Stumkite akumuliatorių į akumuliatoriaus skyrių tol, kol išgirsite spragtelėjimą.

■ Išėmimas

Paspauskite akumuliatoriaus atlaisvinimo mygtuką, esantį akumuliatoriaus skyriuje.

Toliau pateiktas O pav. parodytų dalių aprašas.

O-1	Saugos raktelio lizdas
O-2	Saugos raktelis
O-3	Akumuliatoriaus atlaisvinimo mygtukas

PASTABA. Prieš pradėdami dirbti, įsitinkite, ar vejamųjų esantis fiksatorius užsifiksavo ir akumuliatorius pritvirtintas prie vejamųjų.

VEJAPJOVĖS PALEIDIMAS / IŠJUNGIMAS

▲ SPĖJIMAS. Dirbant su bet kokia vejamųjų, į jūsų arba kitų asmenų akis gali būti išsviesta svetimkūnių, kurie jas gali sunkiai sužaloti. Visada užsidėkite apsauginius akinius, kai dirbate su vejamųjų, ją reguliuojate arba remontuojate.

▲ SPĖJIMAS. Užtikrinkite, kad kiti žmonės ir augintiniai būtų ne mažesniu nei 30m atstumu nuo vejamųjų, kai ji naudojama.

▲ SPĖJIMAS. Išjungus vejamųjų, peilis dar kelias sekundes sukasi. Prieš dar kartą ją paleidami, palaukite, kol variklis / peilis nustos sukstis. Išjungę nebandykite iš karto įjungti vejamųjų.

SAUGOS RAKTELIS

Kad galėtumėte apsaugoti nuo akumuliatorinės vejamųjų atsitiktinio paleidimo arba neleistino naudojimo, vejamųjų įrengtas ištraukiamasis saugos raktelis. Ištraukus saugos raktelį iš vejamųjų, ji visiškai išjungama.

⚠ PAVOJUS. Besisukantys peiliai gali sunkiai sužaloti. Ištraukite saugos raktelį, kai paliekate vejąplovę be priežiūros, ją reguliuojate, valote, atliekate jos techninės priežiūros darbus, ją transportuojate, keliate arba paliekate laikymo vietoje, kad išvengtumėte sunkių traumų.

Paleidimas (Q pav.)

- 1) Įdėkite akumuliatorių į vejąplovę, įkiškite saugos raktelį į raktelio lizdą ir uždarykite akumuliatoriaus dangtį (O pav.).
- 2) Kaip parodyta P pav., paspauskite saugos mygtuką.
- 3) Laikydami saugos mygtuką paspausta, patraukite lankelį-jungiklį aukštyn, kad priglustų prie rankenos, ir atleiskite saugos mygtuką.

Išjungimas (R pav.)

- 1) Atleiskite lankelį-jungiklį.
- 2) Atleidus lankelį-jungiklį, automatiškai stabdymo mechanizme esantis elektrinis stabdys per 3 sekundes sustabdo peilio sukimąsi.

REGULIUOJAMOJO GREIČIO SAVAEIGIO VAŽIAVIMO SISTEMA

LM2010E-SP vejąplovėje įdiegta reguliuojamojo greičio savaeigio važiavimo funkcija. Ši sistema nepriklauso nuo peilio įjungimo / išjungimo jungiklio; ji nepriklauso nuo peilio sukimosi.

Jei norite įjungti sistemą neįjungdami peilio sukimosi, patraukite savaeigio važiavimo jungiklį prie rankenos.

Jei norite išjungti savaeigį važiavimą, atleiskite savaeigio važiavimo jungiklį.

Sistemos greitį galima reguliuoti. Jei greitį norite padidinti, savaeigio važiavimo greičio reguliavimo svirtį pakreipkite pirmyn. Jei greitį norite sumažinti, savaeigio važiavimo greičio reguliavimo svirtį pakreipkite atgal (S pav.).

Naudojimas įjungus peilio sukimąsi vejai pjauti

1. Paleiskite vejąplovę.
2. Kairiąja ranka laikydami lankelį-jungiklį priglausta prie rankenos, dešiniąja ranka patraukite savaeigio važiavimo jungiklį prie rankenos.
3. Dešiniąja ranka laikykite lankelį-jungiklį ir savaeigio važiavimo jungiklį priglaustus prie rankenos, o kairiąja ranka pakreipkite savaeigio važiavimo greičio reguliavimo svirtį, kad nustatytumėte reikiamą greitį.

⚠ ĮSPĖJIMAS. Kad sumažintumėte pavojų susižaloti, niekada nebandykite pakeisti jungiklio arba savaeigio važiavimo sistemos veikimo. Savaeigio važiavimo funkciją naudokite tik pagal numatytąją paskirtį.

VEJAPLOVĖS ŠVIESDIODINIAI DARBINIAI ŽIBINTAI (A-12 pav)

Norėdami įjungti / išjungti šviesdiodinius darbinus žibintus, įtaisytus akumuliatoriaus skyriaus priekyje, paspauskite mygtuką (D-21 pav.).

MAITINIMO INDIKATORIUS VEJAPLOVĖJE (D-22 pav.)

Vejąplovėje įtaisytas maitinimo indikatorius, kuris rodo akumuliatoriaus įkrovos būseną ir vejąplovės darbinę būseną. Maitinimo indikatorius dega, kai sukasi peilis arba kai įjungiami šviesdiodiniai darbiniai žibintai.

Maitinimo indikatorius vejąplovėje	Reikšmė	Veiksmas
Dega žalia spalva	Vejąplovė tinkamai veikia, akumuliatoriaus įkrovos lygis ne mažesnis nei 15%	Nėra
Dega raudona spalva	Akumuliatorius beveik išsekęs	Išjunkite vejąplovę ir įkraukite akumuliatorių
Mirksi raudona spalva	Akumuliatorius beveik visiškai išsekęs	Išjunkite vejąplovę ir įkraukite akumuliatorių
Dega oranžinė spalva	Vejąplovė arba akumuliatorius perkaito	Išimkite akumuliatorių iš vejąplovės, patraukite akumuliatorių bei vejąplovę į šešėlį ir palikite bent 15 minučių, kad atvėstų
Mirksi oranžinė spalva	Vejąplovė perkrauta	Lėčiau pjaukite arba padidinkite pjovimo aukštį, kad sumažintumėte apkrovą

VEJAPLOVĖS APSAUGA NUO PERKROVOS

Kad išvengtumėte perkrovos, nebandykite iš karto nupjauti pernelyg daug žolės. Lėčiau pjaukite arba padidinkite pjovimo aukštį.

Vejąplovėje įtaisyta apsaugos nuo perkrovos grandinė. Kai vejąplovė perkrauta, variklis išjungiamas, o vejąplovėje esantis maitinimo indikatorius mirksi oranžine spalva. Išimkite akumuliatorių iš vejąplovės. Patikrinkite, ar po pjovimo platforma neprisikauptė žolės, jei reikia, nuvalykite. Tada įdėkite akumuliatorių ir iš naujo paleiskite vejąplovę.

LT

APSAUGA NUO PER AUKŠTOS AKUMULIATORIAUS TEMPERATŪROS

Dirbant akumuliatorius kaista. Kai oras karštas, šiluma išsisklaido lėčiau. Jei dirbant akumuliatoriaus temperatūra viršija 70 °C, apsaugos grandinė nedelsdama išjungia vejąplovę, kad apsaugotų akumuliatorių nuo pažeidimo. Vejąplovėje esantis maitinimo indikatorius dega oranžine spalva. Atleiskite lankelį-jungiklį, palaukite, kol akumuliatorius atvės maždaug iki 67 °C, tada paleiskite vejąplovę iš naujo.

TECHNINĖ PRIEŽIŪRA

▲ SPĖJIMAS. Visada ištraukite saugos raktelį ir išimkite akumuliatorių iš vejąplovės prieš ją valydami arba prieš atlikdami jos techninės priežiūros darbus, kad išvengtumėte pavojaus sunkiai susižaloti.

▲ SPĖJIMAS. Atlikdami techninės priežiūros darbus, naudokite tik identiškas atsargines dalis. Naudojant bet kokias kitas dalis, gali kilti pavojus arba sugesti gaminys. Norint užtikrinti saugų ir patikimą gaminio naudojimą, visus remonto ir keitimo darbus turi atlikti kvalifikuotas techninės priežiūros specialistas.

VEJAPJOVĖS VALYMAS

▲ SPĖJIMAS. Visada ištraukite saugos raktelį ir išimkite akumuliatorių, kai atliekate vejąplovės techninės priežiūros darbus arba ją transportuojate.

Kaskart panaudojus vejąplovę, reikia nuvalyti pjovimo platformos apačią, nes joje kaupiasi nupjauta žolė, lapai, nešvarumai ir kitos apnašos. Šios sankaupos nepageidaujamos, nes jos paspartina metalinių dalių rūdijimą bei koroziją ir sumažina vejąplovės pjovimo efektyvumą.

Pašalinkite ant pavaros veleno (tik LM2010E-SP) arba aplink jį ir ant variklio ventilatoriaus susikaupusią žolę bei lapus (nenaudokite vandens). Drėgna šluoste švariai nuvalykite vejąplovę.

PEILIO NUĖMIMAS / UŽDĖJIMAS

▲ SPĖJIMAS. Kai atliekate vejąplovės peilio techninės priežiūros darbus, visada apsaugokite rankas, užsimaudami tvirtas pirštines arba apvyniodami ašmenis su skudurais arba kitomis medžiagomis.

■ Peilio nuėmimas (V pav.)

PASTABA. Jei atlaisvinant varžtą kartu sukasi ir variklio velenas, ranka pasukite ventilatorių, kad ventilatoriaus skylės susilygiuotų su peilio skylėmis, tada įkiškite metalinį strypelį į susilyguotas skylės.

■ Peilio uždėjimas

Laikykites surinkimo sekos, parodytos U pav. Ventilatoriaus mentes atkreipę į pjovimo platformą, o peilio pusę su užrašu atkreipę išorėn, sulygiuokite ventilatoriaus skylės su peilio skylėmis (W pav.) ir priveržkite peilį, kaip parodyta X pav.

Toliau pateiktas U ir V pav. parodytų dalių aprašas.

U-1	Ventiliatorius	U-5	Varžtas
U-2	Vidinė jungė	V-1	1-as stabilizatorius
U-3	Išorinė jungė	V-2	2-as stabilizatorius
U-4	Peilis	V-3	14 mm veržiaraktis

PASTABA. Rekomenduojamas peilio varžto priveržimo sukimo momentas 49–59Nm.

VEJAPJOVĖS LAIKYMAS

- Išimkite akumuliatorių iš vejąplovės ir laikykite jį vėsioje, sausoje ir švarioje vietoje. Nelaikykite jo šalia edančiųjų medžiagų, pvz., trašų arba akmens druskos.
- Sutepkite vejąplovę.
- Vejąplovę laikykite uždengtoje, uždaroje vietoje, kuri yra vėsi, sausa ir nepasiekama vaikams.
- Neuždenkite vejąplovės su vientisa plastikine plėvele. Plastikinė plėvelė sulaiko drėgmę aplink vejąplovę, todėl atsiranda rūdžių ir prasideda korozija.
- Vejąplovę galima laikyti pastatytą arba paguldytą (Y pav.).

▲ SPĖJIMAS. Jei vejąplovę griūna iš statmenos padėties, gali būti pažeista vejąplovė arba sužalotas žmogus. Jei vejąplovę laikote pastatytą, užtikrinkite jos stabilumą ir nepasiekiamumą vaikams. Jei įmanoma, laikykite paguldytą.

Aplinkos apsauga



Neišmeskite elektros įrangos, akumuliatorių, iškvieklio ir baterijų / akumuliatorių su buitiniemis atliekomis!

Pagal Europos Parlamento ir Tarybos direktyvas 2012/19/EB ir 2006/66/EB nenaudojama elektros bei elektronikos įranga ir nenaudojami arba sugedę akumuliatoriai ir (arba) baterijos turi būti surenkami atskirai.

Jei elektriniai prietaisai išmetami į užkasamuosius arba atvirusius sąvartynus, kenksmingos medžiagos gali prasiskinti iki grunto vandens, patekti į mitybos grandinę ir kenkti jūsų sveikatai bei gerovei.

EB ATITIKTIES DEKLARACIJA



Mes, CHERVON EUROPE LTD.

47 CASTLE STREET, READING, RG1 7SR, UNITED KINGDOM

pareiškiame, kad gaminyje – **akumuliatorinė vežajpovė LM2010E/LM2010E-SP su 56 V ličio jonų akumuliatoriumi** – atitinka esminius sveikatos ir saugos reikalavimus, išdėstytus šiose direktyvose:

2006/42/EB, 2004/108/EB, 2011/65/ES, 2000/14/EB

Standartai ir techninės specifikacijos, kuriais remiamasi:

EN 60335-1, EN 60335-2-77, EN 62233, EN 55014-1, EN 55014-2

	LM2010E	LM2010E-SP
Išmatuotas garso galios lygis:	94 dB(A)	94,32 dB(A)
Garantuojamas garso galios lygis:	96 dB(A)	96 dB(A)

Peter Melrose
„Chervon Europe“ viceprezidentas

Dong Jianxun
„Chervon“ kokybės vadovas

* (CHERVON įgaliotasis atstovas ir už techninę dokumentaciją atsakingas asmuo)

01/01/2016

LT

TRIKČIŲ ŠALINIMAS

⚠ SPĖJIMAS. Visada ištraukite saugos raktelį ir išimkite akumuliatorių, kai atliekate vejamovės techninės priežiūros darbus arba ją transportuojate. Kai atliekate vejamovės peilio techninės priežiūros darbus, visada apsaugokite rankas, užsimaudami tvirtas pirštines arba apvyniodami ašmenis su skudurais arba kitomis medžiagomis.

PROBLEMA	PRIEŽASTIS	SPRENDIMAS
Vejamovės nepavyksta paleisti	<ul style="list-style-type: none"> ■ Akumuliatorius visiškai išsekęs. ■ Akumuliatorius neįdėtas į akumuliatoriaus skyrių. ■ Akumuliatorius arba vejamovės grandinės pernelyg įkaitusios. (Vejamovėje esantis maitinimo indikatorius 10 sekundžių dega oranžine spalva.) ■ Iki galo neištraukti šoniniai strypai ir neužfiksuotos apkabos. ■ Rankena nenustatyta į vieną iš dviejų darbinių padėčių. ■ Žolė ir apnašos užkimšo vejamovės pjovimo platformą. 	<ul style="list-style-type: none"> ■ Įkraukite akumuliatorių. ■ Įdėkite akumuliatorių į vejamovę ir spauskite jį tol, kol išgirsite spragtelėjimą. ■ Palaukite, kol akumuliatorius arba vejamovė atvės iki žemesnės nei 67 °C temperatūros. ■ Iki galo ištraukite rankeną ir užfiksuokite abi apkabas. ■ Nustatykite rankeną į vieną iš dviejų darbinių padėčių. ■ Nuvalykite vejamovės pjovimo platformą ir patikrinkite, ar peilis gali laisvai sukstis.
Vejamovė netolygiai pjauna	<ul style="list-style-type: none"> ■ Atšipęs peilis. ■ Netinkamai nustatytas pjovimo aukštis. ■ Netinkamai surinktas peilis. 	<ul style="list-style-type: none"> ■ Pagaląskite arba pakeiskite peilį. ■ Pakelkite pjovimo platformą, nustatydami didesnę pjovimo aukštį. ■ Iš naujo surinkite peilį, vadovaudamiesi nurodymais šios instrukcijos skyriuje PEILIO UŽDĖJIMAS.

PROBLEMA	PRIŽASTIS	SPRENDIMAS
Vejapjovė išsijungia dirbant	<ul style="list-style-type: none"> ■ Akumuliatorius visiškai išsekęs. ■ Vejapjovė perkrauta. ■ Žolė ir apnašos užkimšo vejapjovės pjovimo platformą. ■ Akumuliatorius arba vejapjovės grandinės pėnelyg įkaitusios. (Vejapjovėje esantis maitinimo indikatorius 10 sekundžių dega oranžine spalva.) ■ Paspaudus rankeną, šiek tiek įsistūmė šoninis strypas. 	<ul style="list-style-type: none"> ■ Įkraukite akumuliatorių. ■ Padidinkite pjovimo aukštį arba lėčiau pjaukite veją. ■ Pašalinkite vejapjovės pjovimo platformoje susidariusį kamštį. Padidinkite pjovimo aukštį arba pjaukite siauresnį vejos ruožą. ■ Palaukite, kol akumuliatorius arba vejapjovė atvės iki žemesnės nei 67 °C temperatūros. ■ Atlaisvinkite apkabas. Iki galo ištraukite šoninius strypus ir vėl užfiksuokite apkabas.
Vejapjovė netinkamai mulčiuoja	<ul style="list-style-type: none"> ■ Nupjauta šlapią žolę prikimba pjovimo platformos apačioje. ■ Vejapjovė nustatyta iš karto pjauti per daug žolės. 	<ul style="list-style-type: none"> ■ Prieš pjaudami veją, palaukite, kol žolė išdžius. ■ Pakelkite pjovimo platformą, nustatydami didesnį pjovimo aukštį.
Pėnelyg stipri vibracija	<ul style="list-style-type: none"> ■ Atsilaisvinęs pjovimo peilis. ■ Nesubalansuotas pjovimo peilis. ■ Pjovimo ašmenys sulankstyti. ■ Įlenktas variklio velenas. 	<ul style="list-style-type: none"> ■ Priveržkite peilio varžtą. ■ Subalansuokite peilį, vadovaudamiesi instrukcija. ■ Pakeiskite peilį. ■ Kreipkitės į techninės priežiūros centrą.
Nepavyksta uždaryti rankenos užfiksavimo apkabų	<ul style="list-style-type: none"> ■ Nevisiškai ištraukti šoniniai strypai. 	<ul style="list-style-type: none"> ■ Iki galo ištraukite šoninius strypus ir užfiksuokite apkabas.

GARANTIJA

EGO GARANTINIS POLISAS

Norėdami sužinoti visas „EGO“ garantinio poliso sąlygas, apsilankykite interneto svetainėje egopowerplus.com.

LT

IZLASIET VISUS NORĀDĪJUMUS!



IZLASIET UN IZPROTIET LIETOŠANAS ROKASGRĀMATU

⚠ Atlikušais risks! Personām, kas lieto elektroniskas ierīces, piemēram kardiostimulatoru, pirms šī produkta lietošanas jākonsultējas ar savu ārstu. Elektriska aprīkojuma darbība sirds kardiostimulatora tiešā tuvumā var izraisīt ievaināšanos kardiostimulatora darbībā vai tā darbības atteici.

⚠ BRĪDINĀJUMS: Lai nodrošinātu drošumu un uzticamību, visi remonta un detaļu nomainīgas darbi ir jāveic kvalificētam tehniskajam darbiniekam.

Paredzētais lietojums un iespējamais nepareizais lietojums: Šis produkts ir paredzēts tikai un vienīgi zāles pļaušanai piemājas dārzos. To nedrīkst izmantot ārkārtīgi augstas, sausas vai mitras zāles pļaušanai, piemēram, ganību pļaušanai, kā arī lapu smalcināšanai. Produktu drīkst izmantot tikai tā paredzētajam nolūkam. Jebkurš cita veida lietojums tiek uzskatīts par tā nepareizu lietojumu.

DROŠĪBAS SIMBOLI

Drošības simbolu uzdevums ir pievērst jūsu uzmanību iespējamiem apdraudējumiem. Pievērsiet rūpīgu uzmanību drošības simboliem un to skaidrojumiem, un izprotiet tos. Simbolu brīdinājumi paši par sevi nenovērš apdraudējumu. To sniegtie norādījumi un brīdinājumi nevar aizstāt atbilstošus ārkārtas situāciju novēršanas pasākumus.

⚠ BRĪDINĀJUMS: Pārlicinieties, ka pirms lietot šo instrumentu esat izlasījis un izpratis visus šīs operatora rokasgrāmatas drošības norādījumus, tostarp arī visus drošības brīdinājuma simbolus, piemēram, "BĪSTAMI", "BRĪDINĀJUMS" UN "UZMANĪBU". Neievērojot kādu no zemāk uzskaitītajiem norādījumiem, iespējams gūt elektriskās strāvas triecienu, izraisīt ugunsgrēku un/vai gūt nopietnus miesas bojājumus.

SIMBOLA NOZĪME

DROŠĪBAS BRĪDINĀJUMA SIMBOLS: Norāda - BĪSTAMI, BRĪDINĀJUMS vai PIESARDZĪBU. Var tikt izmantots kopā ar citiem simboliem vai piktogrammām.

⚠ BRĪDINĀJUMS: Lietojot jebkāda veida elektroinstrumentus, pastāv risks, ka acīs trāpa svešķermeņi, kas var izraisīt nopietnus acu bojājumus. Pirms elektroinstrumenta iedarbināšanas vienmēr lietojiet standarta aizsargbrilles vai aizsargbrilles ar sānu aizsargiem un nepieciešamības gadījumā - pilno sejas aizsegu. Mēs iesakām izmantot aizsargmasku ar plašu skata leņķi, kas tiek vilkta virs aizsargbrillēm, vai aizsargbrilles ar sānu aizsargiem.

LV

DROŠĪBAS NORĀDĪJUMI

Šajā lappusē ir attēloti un aprakstīti drošības simboli, kas var būt uz šī produkta. Pirms iekārtas salikšanas un darbināšanas izlasiet, izprotiet un ievērojiet visus uz iekārtas esošos norādījumus.

	Drošības brīdinājums	Uz jūsu drošību attiecināmi piesardzības pasākumi.
	Jālieto aizsargbrilles	Strādājot ar šo produktu vienmēr lietojiet standarta aizsargbrilles vai aizsargbrilles ar sānu aizsargiem, kā arī pilnu sejas aizsargu.
	BRĪDINĀJUMS: Izlasiet operatora rokasgrāmatu	Lai mazinātu traumu gūšanas risku, pirms šī produkta lietošanas lietotājam jāizlasa un jāizprot operatora rokasgrāmata.
	Uzmanieties no asiem asmeņiem	Pēc motora izslēgšanas asmeņi turpina rotācijas kustību - pirms apkopes darbu veikšanas noņemiet deaktivizēšanas ierīci. Pirms regulēšanas vai tīrīšanas darbu veikšanas izslēdziet un noņemiet noņemamo akumulatoru bloku (vai deaktivizēšanas ierīci).
	Neļaujiet tuvoties neiesaisītām personām.	Pārlicinieties, ka, lietojot zāles pļāvēju, citas personas un dzīvnieki atrodas vismaz 30m attālumā no tā.
	II klases konstrukcija	Dubultās izolācijas konstrukcija
IPX4	IP simbols	4. klases aizsardzība pret ūdens iedarbību
V	Volti	Spriegums
A	Ampēri	Strāva
Hz	Herci	Frekvence (cikli sekundē)
W	Vati	Jauda
min	Minūtes	Laiks
	Maiņstrāva	Strāvas veids
	Līdzstrāva	Strāvas veids vai raksturlielums
n ₀	Apgrīzību skaits bezslodzes apstākļos	Rotācijas ātrums bezslodzes apstākļos
... /min	Minūtē	Apgrīzību skaits minūtē

UZ BEZVADU ZĀLES PĻĀVĒJU ATTIECIENĀMIE DROŠĪBAS NOTEIKUMI

▲ BĪSTAMI: Šī iekārta ir izstrādāta tā, lai tā tiktu lietota saskaņā ar šajā rokasgrāmatā iekļautajiem noteikumiem par drošu darbību. Tāpat kā lietojot jebkuru citu elektroinstrumentu, arī šajā gadījumā lietotāja bezrūpīga attieksme vai lietotāja pieļauta kļūda var izraisīt nopietnus ievainojumus. Šī iekārta var savainot rokas un kājas, kā arī izsviest objektus. Neievērojot kādu no drošības norādījumiem, iespējams gūt nopietnas traumas vai izraisīt nāvi.

▲ BRĪDINĀJUMS: Lietojot bezvadu zāles pļāvēju, vienmēr jāievēro pamata piesardzības pasākumi, lai samazinātu ugunsgrēka rašanās, elektriskās strāvas trieciena un miesas bojājumu gūšanas risku.

SVARĪGI

RŪPĪGI IZLASĪT PIRMS LIETOŠANAS! SAGLABAT VĒLĀKAI PĀRLASĪŠANAI!

UZ BEZVADU ZĀLES PĻĀVĒJIEM ATTIECIENĀMIE DROŠĪBAS NOTEIKUMI:

PIESARDZĪBU - NEPIESKARTIES ROTĒJOŠAJAM ASMENIM!

APMĀCĪBA

- Rūpīgi izlasiet norādījumus. Iepazīstieties ar vadību un iepazīstiet ierīces pareizu lietojumu.
- Nekad neļaujiet šo ierīci lietot bērniem vai personām, kas nav iepazinušas ar šiem norādījumiem. Attiecībā uz lietotāja minimālo vecumu spēkā var būt vietējie normatīvie akti.
- Nekad neveiciet pļaušanu, ja tuvumā atrodas citas personas, ir īpaši bērni, vai mājdzīvnieki.
- Operators vai lietotājs ir atbildīgs par negadījumiem vai apdraudējumu, kas tiek radīts citām personām vai īpašumam.

SAGATAVOŠANĀS

- Pļaušanas laikā vienmēr valkājiet izturīgus apavus un garas bikses.
- Nedarbiniet ierīci, esot basām kājām vai valkājot atvērtā tipa sandales. Izvairieties valkāt brīvu apģērbu, vai apģērbu ar nokarenām auklām vai sienamajiem elementiem.
- Rūpīgi pārbaudiet vietu, kurā tiks lietota šī ierīce, un aizvēciet no tās visus akmeņus, zarus, kaulus un cita veida priekšmetus.

- Pirms lietošanas vienmēr veiciet ierīces vizuālu pārbaudi, lai pārliecinātos, ka asmeņi, asmeņu skrūves un griešanas komplekts nav nolietojušies vai bojāti. Noliektos vai nodilušus asmeņus un skrūves nomainiet komplektos, lai saglabātu zāles pļāvēja balansu. Nomainiet bojātas vai nesalasāmas informācijas norādes.

DARBĪBA

- Veiciet pļaušanu tikai dienasgaismā vai labā mākslīgā apgaismojumā.
- Ja vien tas ir iespējams, izvairieties lietot ierīci mitrā zālē.
- Atrodoties slīpumā, vienmēr esiet drošs par savu atbalstu.
- Pārvietojieties ejot, nekad neskrieniet.
- Lietojot rotējošos riteņu zāles pļāvējus, pļaušanu veiciet perpendikulāri slīpumam, nekad nepļaujiet virziena no lejas uz augšu vai otrādi.
- Esiet ārkārtīgi piesardzīgs, ja slīpumā maināt pārvietošanās virzienu.
- Neveiciet pļaušanu ļoti slīpās nogāzēs.
- Esiet ārkārtīgi piesardzīgs, pārvietojoties atpakaļgaitā vai velkot ierīci virzienā pret sevi.
- Ja ierīci nepieciešams savērt, lai pārvietotu to pa citām virsmām, kas nav pļaujamā zāle, kā arī pārvietojot to uz pļaušanas vietu vai no tās, apturiet asmens/asmeņu darbību.
- Nekad nedarbiniet ierīci, ja ir bojāti tās aizsargi vai drošības ierīces, piemēram, novirzītājs un/vai zāles uztvērēji neatrodas tām paredzētajās vietās.
- Ieslēdziet motoru saskaņā ar norādījumiem un raugieties, lai jūsu kājas atrastos drošā attālumā no asmens/asmeņiem.
- Ieslēdzot motoru, nesasveriet ierīci, izņemot gadījumus, ja tas ir nepieciešams ierīces iedarbināšanai. Šajā situācijā nesasveriet ierīci vairāk, kā tas ir nepieciešams, un paceliet tikai to tās daļu, kas ir vērsta virzienā prom no operatora. Pirms ierīces novietošanas atpakaļ uz zemes, vienmēr pārliecinieties, ka abas rokas atrodas darba pozīcijā.
- Neiedarbiniet iekārtu, ja stāvat priekšā zāles izmešanas atverei.
- Nenovietojiet rokas vai kājas zem rotējošajām detaļām vai to tuvumā. Raugieties, lai rotējošajiem zāles pļāvējiem zāles izmešanas atvere vienmēr būtu brīva.
- Nekad neceliet un nenesiet ierīci, ja darbojas tās motors.
- Pirms regulēšanas vai tīrīšanas darbu veikšanas izslēdziet ierīci un novienojiet noņemamo akumulatoru bloku (vai deaktivizēšanas ierīci), un pārliecinieties, ka visas kustīgās detaļas ir pārtraukušas kustību.

- katru reizi, kad pametat ierīci;
- pirms aizsprostojuma likvidēšanas vai izmešu teknes attīrīšanas;
- pirms ierīces pārbaudīšanas, tīrīšanas vai jebkādu darbu veikšanas ierīcē;
- pēc sadursmes ar kādu priekšmetu. Pārbaudiet, vai ierīcei nav bojājumu un nepieciešamības gadījumā veiciet nepieciešamos remonta darbus.
- Ja ierīce sāk neparasti vibrēt (pārbaudiet nekavējoties):
 - pārbaudiet, vai tā nav bojāta;
 - nomainiet vai salabojiet bojātās detaļas;
 - pārbaudiet un pievelciet vaļņīgās detaļas.

TEHNISKĀ APKOPE UN UZGLABĀŠANA

- Veicot ierīces regulēšanu, esiet piesardzīgs un uzmanieties, lai starp kustīgajiem asmeņiem un ierīces fiksētajām daļām neiesprūstu pirksti.
- Raugieties, lai visi uzgriežņi, bultskrūves un skrūves būtu cieši pievilktas, tādējādi nodrošinot ierīces drošu ekspluatāciju.
- Regulāri pārbaudiet, vai zāles uztvērējs nav nolietojies vai bojāts.
- Drošības nolūkos nomainiet nolietotās vai bojātās detaļas.
- Veicot apkopes darbus asmeņiem, ņemiet vērā, ka, kaut arī elektropadeve ir izslēgta, asmeņus joprojām ir iespējams pakustināt.
- Rotējošajiem zāles plāvējiem pārliecinieties, ka tiek izmantotas pareizā veida rezerves griešanas detaļas.

PERSONISKĀ DROŠĪBA

Ja zāles plāvēja lietotājs nepievērš uzmanību bērnu klātbūtnei, var tikt izraisīti traģiski nelaimes gadījumi. Zāles plāvējs un pļaušana bieži vien piesaista bērnus. Bērni neizprot ar to saistītos apdraudējumus. Nekad nepieņemiet par pašsaprotamu, ka bērni paliks vietā, kur jūs viņus redzējāt pēdējo reizi.

- Neļaujiet bērniem atrasties pļaušanas zonā un raugieties, lai tie atrastos atbildīga pieaugušā (kas nav zāles plāvēja lietotājs) uzraudzībā.
- Esiet modrs un izslēdziet zāles plāvēju, ja pļaušanas zonā ienāk bērns.
- Esiet ārkārtīgi piesardzīgs, tuvojoties akliem stūriem, durvīm, krūmiem, kokiem vai citiem objektiem, kas var aizsegāt jūsu redzamību un neļaut saskatīt bērnu, kas var saskrieties ar zāles plāvēju.
- Bērni ir jāpieskata, lai būtu drošs, ka viņi nespēlējas ar zāles plāvēju.

- Izņemot akumulatoru bloku no instrumenta, vienmēr izslēdziet zāles plāvēju. Ja ierīci nepieciešams sasvērt, lai pārvietotu to pa citām virsmām, kas nav pļaujamā zāle, kā arī pārvietojot to uz pļaušanas vietu vai no tās, apturiet asmeņus/asmēņu darbību.

DARBĪBA VISPĀRĪGĀ DARBĪBA:

- Pirms mēģināt salikt šo iekārtu, rūpīgi izlasiet pilnīgi visu šo operatora rokasgrāmatu. Pirms darba uzsākšanas izlasiet, izprotiet un ievērojiet visus uz iekārtas un rokasgrāmatās esošos norādījumus. Pirms sākt darbu ar šo ierīci, pilnībā pārziniet ierīces vadības elementus un ierīces pareizu lietojumu. Uzglabājiet šo rokasgrāmatu drošā vietā regulārai vēlākai pārlasīšanai, kā arī gadījumiem, kad nepieciešams veikt rezerves daļu pasūtīšanu.
- Izmantojiet pareizo ierīci - neizmantojiet zāles plāvēju nevienam citam nolūkam, kā vien tam, kam tas ir paredzēts.
- Nesniedzieties pārāk tālu - vienmēr saglabājiet labu atbalstu un kontrolētu līdzsvaru.
- Ja kāds priekšmets saduras ar zāles plāvēja asmeni, iespējams nopietni traumēt tuvumā esošas personas. Pirms katras pļaušanas reizes zāleņš ir rūpīgi jāpārbauda un no tā ir jāaizvāc visi priekšmeti.
- Pirms pārvietoties atpakaļgaitā un šī procesa laikā skatieties uz aizmuguri un uz zemi, lai redzētu, vai tuvumā neatrodas mazi bērni un citas personas.
- Zāles plāvējs nav rotaļlieta! Tādēļ vienmēr darbojieties ar īpašu piesardzību! Šī iekārta ir izstrādāta vienas funkcijas veikšanai - zāles pļaušanai. Neizmantojiet to citiem mērķiem.
- Nepakļaujiet zāles plāvēju pārlieku lielai slodzei - tas darbu paveiks labāk un drošāk, ja tiks lietots tāda ātrumā, kādam tas ir paredzēts.
- Pirms lietošanas vienmēr veiciet ierīces vizuālu pārbaudi, lai pārliecinātos, ka asmeņi, asmeņu skrūves un griešanas komplekts nav nolietojušies vai bojāti. Lai tiktu saglabāts balansējums, nomainiet nolietotus vai bojātus asmeņus, skrūves un citus komponentus visus vienā reizē. Nomainiet bojātās vai nesalasāmas informācijas norādes.
- Esiet ārkārtīgi piesardzīgs, pārvietojoties atpakaļgaitā vai velkot ierīci virzienā pret sevi.
- Rūpīgi pārbaudiet vietu, kurā šis aprīkojums tiks izmantots. Aizvāciet visus akmeņus, zarus, vadus, rotaļlietas un citus priekšmetus, kurus asmeņim ir iespējams aizķert vai uzvert un izsviest. Izsviesti priekšmeti var izraisīt nopietnus savainojumus. Plānojiet savu pļaušanas trajektoriju tā, lai noplautais materiāls netiktu izsviests uz ceļiem, gājēju celiņiem, tuvumā esošām personām utt. Tāpat izvairieties no noplautā materiāla izsviešanas pret sienām vai šķēršļiem, kas izsviesto materiālu varētu atsviest atpakaļ operatora virzienā.

- Lai maksimāli izvairītos no saskares ar asmeni vai iespējamām lidojošu objektu izraisītām traumām, zāles plāvēja darbības laikā atrodieties operatora zonā aiz rokturiem un raugieties, lai bērni, skatītāji, palīgi un mājdzīvnieki atrastos vismaz 30m attālumā no zāles plāvēja. Apturiet iekārtu, ja kāds ienāk zonā, kas ir tuvāka par augstāk norādīto.
- Lai, zāles plāvēja darbības laikā un veicot zāles plāvēja regulēšanu vai remonta darbus, pasargātu acis, vienmēr valkājiet aizsargbrilles. Izsviesti objekti, atsītoties pret šķērslī, var radīt nopietnas acu traumas. Ja veicamais darbs ir puteļņains, vienmēr valkājiet sejas aizsargmasku vai elpceļu aizsargmasku.
- Ģērbieties atbilstoši - nevalkājiet brīvu apģērbu vai rotaslietas. Brīvs apģērbs un rotaslietas var ieķerties rotējošajās daļās. Strādājot ārpus telpām, ieteicams izmantot gumijas cimdus un apavus. Velciet izturīgus darba apavus, kuru zolēm ir izteikts protektors, un cieši piegulošas bikses un kreklu. Ieteicams viļņot kreklu un bikses, kas nosedz rokas un kājas, kā arī darba apavus ar tērauda purngala ieliktni. Nekad nedarbiniet šo iekārtu, ja esat ar basām kājām, vai valkājot sandales, vieglas (piem., auduma) kurpes vai kurpes, kas uz virsmas izslīd.
- Nenovietojiet rokas vai kājas rotējošu detaļu tuvumā vai zem plaušanas korpusa. Saskaroties ar asmeni, iespējams gūt roku un kāju traumas.
- Ja zāles plāvējam nav zāles izmešanas atveres pārsegs vai tas ir bojāts, iespējama saskare ar asmeņiem, kā arī iespējams gūt traumas no izsviestiem objektiem.
- Bieži vien savainojumi tiek gūti paslīdot vai aizķeroties, un kritiena rezultātā uzstūmjot zāles plāvēju pāri kājai. Kritiena gadījumā neturieties pie zāles plāvēja - nekavējoties atlaidiet rokturi.
- Pārvietošanās laikā nekad nevelciet zāles plāvēju uz aizmuguri virzienā uz sevi. Ja jums zāles plāvējs ir jāpārvieto uz aizmuguri prom no sienas vai šķēršļa, vispirms paskatieties uz aizmuguri un uz zemi, lai izvairītos no pakļūšanas, un pēc tam veiciet šādas darbības:
 - atkāpieties no zāles plāvēja un pilnībā iztaisnojiet rokas;
 - pārliecinieties, ka atrodaties labā līdzsvarā un atbilstoši balstāties pret zemi;
 - lēnām pavelciet zāles plāvēju uz aizmuguri, bet ne vairāk par pusi no attāluma, kas šķir jūs no ierīces;
 - atkārtojiet šīs darbības pēc nepieciešamības.
- Nedarbiniet zāles plāvēju, ja atrodaties alkohola vai zāļu ietekmē.
- Nekad nedarbiniet ierīci, ja ir bojāti tās aizsargi vai drošības ierīces, piemēram, novirzītājs un/vai zāles uztvērēji neatrodas tām paredzētajās vietās.
- Esiet modrs - pievērsiet uzmanību tam, ko darāt! Pajaujieties uz veselo saprātu. Nedarbiniet zāles plāvēju, kad esat noguris.
- Motora/asmens vadības rokturis ir drošības ierīce. Nekad nemēģiniet apiet tās funkciju. Cenšoties apiet vadības rokturi, drošības iekārta tiek deaktivizēta, un iespējams gūt miesas bojājumus, saskaroties ar rotējošo asmeni. Motora/asmens vadības rokturim viegli jākustas abos virzienos, un, kad tas tiek atlaists, tam automātiski jāatgriežas nenospiestā stāvoklī.
- Izvairieties no bīstamām vidēm - neizmantojiet zāles plāvēju mitrās vai slapjās vietās.
- Nelietojiet lietus laikā.
- Vienmēr esiet drošs par savu atbalstu. Paslīdot un krītot iespējams gūt nopietnus miesas bojājumus. Ja jūtat, ka zaudējat atbalstu, nekavējoties atlaidiet motora/asmens vadības rokturi, un asmens trīs sekunžu laikā pārstās rotēt.
- Apturiet asmeni, kad šķērsojat grants ceļus, gājēju celiņus vai brauktuves.
- Ja aprīkojums sāk neierasti vibrēt, apturiet motoru un nekavējoties noskaidrojiet vibrācijas cēloni. Vibrācijas parasti ir brīdinājums par problēmām.
 - pārbaudiet, vai zāles plāvējs nav bojāts;
 - nomainiet vai salabojiet bojātās detaļas, kuru nomaiņu var veikt pats lietotājs;
 - pārbaudiet un pievelciet vaļiņgās detaļas.
- Nekad nedarbiniet zāles plāvēju, ja tam nav vai nedarbojas kāds no šiem elementiem: atbilstošs aizmugures aizsargs, zāles izmešanas atveres pārsegs, zāles maiss, smalcināšanas ieliktnis, sānu izmešu tekne, motora/asmens vadības rokturis vai kāda cita drošības aizsargierīce. Nekad nedarbiniet zāles plāvēju, ja tā aizsargierīces ir bojātas. Pretējā gadījumā iespējams gūt miesas bojājumus.
- Ja rodas situācijas, kas nav aprakstītas šajā rokasgrāmatā, rīkojieties piesardzīgi un saprātīgi izvērtējiet situāciju. Ja jums nepieciešama palīdzība, sazinieties ar EGO klientu atbalsta dienestu.
- Lietojiet tikai ar zemāk norādītajiem akumulatoru blokiem un uzlādes ierīcēm:

AKUMULATORU BLOKS	UZLĀDES IERĪCE
BA1120E, BA2240E, BA2800, BA3360, BA4200	CH5500E, CH2100E

LV

- Pirms aprīkojuma utilizēšanas, no tā ir jāizņem akumulatoru bloks.
- Akumulatora utilizēšana jāveic drošā veidā.

STRĀDĀŠANA NOGĀZĒ:

Nogāzes ir biežākais paslīdēšanas un krišanas izraisītu negadījumu iemesls, kuru rezultātā iespējams gūt nopietnas traumas. Atrodoties slīpumā, vienmēr esiet drošs par savu atbalstu. Strādājot nogāzēs, nepieciešama papildu piesardzība. Ja jūs, atrodoties uz nogāzes, nejutaties pārliecināts, neplūjiet to.

Atļautās darbības:

- Pļaušanu veiciet perpendikulāri nogāzēm, nekad neplūjiet virzienā no augšas uz leju un otrādi. Esiet ārkārtīgi piesardzīgs, ja slīpumā maināt pārvietošanās virzienu.
- Uzmanieties no bedrēm, grābām, akmeņiem, neredzamiem objektiem vai izcīņiem, kas var izraisīt jūsu paslīdēšanu vai pakļupšanu. Garā zālē var slēpties šķēršļi.

Neatļautās darbības:

- Neveiciet pļaušanu krauju, grāvju vai krastu tuvumā - jūs varat zaudēt atbalstu vai līdzsvaru.
- Neveiciet pļaušanu nogāzēs, kuru slīpums ir lielāks par 15 grādiem.
- Neplūjiet slapju zāli. Nestabils atbalsts var izraisīt paslīdēšanu.

Apkalpes darbi

⚠ BRĪDINĀJUMS: Zāles maisa detaļas, zāles izmešanas atveres pārsegs, sānu izmešu tekne, smalcināšanas ieliktnis un aizmugures aizsargs var nolietoties vai salūzt, tādējādi ļaujot piekļūt ierīces kustīgajām detaļām vai izsviežot objektus, kā rezultātā var palielināties traumu gūšanas risks. Drošības nolūkos bieži pārbaudiet visas zāles pļāvēja detaļas un nekavējoties nomainiet bojātas detaļas, izmantojot identiskas, šajā rokasgrāmatā norādītas rezerves daļas. Sazinieties ar EGO klientu apkalpošanas dienestu vai jums tuvāko EGO apkopes centru; remonta darbi un detaļu mainīšana ir jāveic kvalificētam speciālistam!

- Ja bieži aktivizējas zāles pļāvēja iebūvētā pārslodzes aizsardzības sistēma, sazinieties ar EGO klientu atbalsta dienestu vai tuvāko EGO apkopes centru.
- Nemazgājiet zāles pļāvēju, izmantojot šļūteni; nepieļaujiet ūdens iekļūšanu motorā un elektriskajos savienojumos.
- Ja zāles pļāvējs netiek izmantots, izņemiet no tā atslēgu un uzglabājiet zāles pļāvēju iekštelpās. Pirms zāles pļāvēja novietošanas ierobežotā vietā ļaujiet atdzist tā motoram. Zāles pļāvējs jāuzglabā sausā, augstā vai aizslēdzamā vietā, kur tam nevar piekļūt bērni.
- Veicot apkopes darbus, izmantojiet tikai identiskas rezerves daļas, kas ir uzskaitītas šajā rokasgrāmatā. Lietojot detaļas, kas neatbilst aprīkojuma oriģinālajām specifikācijām, zāles pļāvējs var darboties neatbilstoši un mazāk droši.
- Pirms apkopes vai tīrīšanas darbu veikšanas, kā arī pirms pļaušanas atlikumu izņemšanas no zāles pļāvēja, izņemiet vai atvienojiet no iekārtas akumulatoru bloku.
- Veicot eļļošanu un piederumu maiņu, ievērojiet sniegtos norādījumus.
- Raugieties, lai rokturi būtu sausi, tīri un uz tiem nebūtu eļļas vai smērvielas.
- Lai mazinātu ugunsgrēka rašanās risku, raugieties, lai uz motora pārsega neuzkrātos zāle, lapas vai netīrumi.
- Periodiski pārbaudiet, vai asmens un motora montāžas skrūves ir pievilktas atbilstošā ciešumā. Vizuali pārbaudiet, vai asmenim nav redzamu bojājumu (piem., salocīts asmens, pīsumi vai nodilums). Mainot asmeni, izmantojiet tikai identisku rezerves asmeni, kas ir norādīts šajā rokasgrāmatā.
- Uzturiet zāles pļāvēju labā darba kārtībā - lai iegūtu labākos rezultātus, raugieties, lai zāles pļāvēja asmens būtu ass un tīrs. Zāles pļāvēja asmeņi ir asi un ar tiem ir iespējams sagriezties. Veicot apkopes darbus asmenim, ietiniet to vai valkājiet cimdus un rīkojieties īpaši piesardzīgi.
- Nekad nenonēmiat aizsargierīces un neizmaniet to darbību. Regulāri pārbaudiet, vai aizsargierīces darbojas pareizi. Nekad neveiciet nevienu darbību, kas ietekmētu kādas aizsargierīces paredzētās funkcijas veikšanu, un neveiciet darbības, lai mazinātu kādas aizsargierīces sniegto aizsardzības līmeni.
- Pirms riteņa vai pļaušanas augstuma regulēšanas vienmēr apturiet ierīces motoru.
- Saskaroties ar kādu objektu, apturiet motoru, izņemiet atslēgu un rūpīgi pārbaudiet, vai zāles pļāvējam nav kādu bojājumu. Pirms zāles pļāvēja darbināšanas novērsiet bojājumu.

- Saglabājiet drošības un norādījumu informatīvās norādes un nepieciešamības gadījumā nomainiet tās. Sazinieties ar EGO klientu apkalpošanas dienestu vai jums tuvāko EGO apkopes centru; remonta darbi un detaļu mainīšana ir jāveic kvalificētam speciālistam!
- **SAGLABĀJIET ŠOS NORĀDĪJUMUS!** Laiku pa laikam pārskatiet tos un izmantojiet tos, lai instruētu citas personas, kas varētu izmantot šo instrumentu. Ja jūs šo instrumentu aizdotat kādai citai personai, aizdodiet arī šo rokasgrāmatu, lai nepieļautu, ka produkts tiek lietots nepareizi, kā arī lai izvairītos no iespējamām traumām.

AKUMULATORU LIETOŠANA UN APKOPE

- Rūpējoties par dabas resursu saglabāšanu, lūdzu, pareizi utilizējiet akumulatorus vai nododiet tos atkārtotai pārstrādei. Šis produkts satur litija jonu akumulatorus. Vietējā un valsts likumdošana aizliedz iznest litija jonu akumulatorus sadzīves atkritumos. Lai iegūtu informāciju par iespējamajām otrreizējās pārstrādes un/vai utilizēšanas iespējām, sazinieties ar vietējo par atkritumu apsaimniekošanu atbildīgo varas iestādi.
- Pēc akumulatoru bloka izņemšanas, lai veiktu tā utilizēšanai vai nodošanu atkārtotai pārstrādei, pārklājiet akumulatoru bloka spailēs ar izturīgu līmeni. Nemēģiniet iznīcināt vai izjaukt akumulatoru bloku, vai izņemt kādu no tā sastāvdaļām. Litija jonu akumulatoru atkārtota pārstrāde vai utilizēšana ir jāveic pareizi. Tāpat nekad nepieskarieties spailēm ar metāliskiem priekšmetiem un/vai ķermeņa daļām, jo tādējādi iespējams izveidot īsslēgumu. Sargiet no bērniem. Neievērojot šos brīdinājumus, iespējams izraisīt ugunsgrēku un/vai gūt nopietnas traumas.
- **NEPAREIZOS IZMANTOŠANAS APSTĀKĻOS NO AKUMULATORA VAR IZTECĒT ŠĶIDRUMS; IZVAIRIETIES NO SASKARES AR TO. JA NEJAUŠI SASKARĀTIES AR ŠĶIDRUMU, NOSKALOJIET AR ŪDENI. JA ŠĶIDRUMS NONĀK SASKARĒ AR ACĪM, PAPILDUS VĒRSIETIES PĒC MEDICĪNISKAS PALĪDZĪBAS.** No akumulatora iztecējis šķidrums var izraisīt kairinājumu vai apdegumus.

SPECIFIKĀCIJAS

Modeļa numurs	LM2010E	LM2010E-SP
Pašgājēja sistēma	Nē	Jā
Spriegums	56 V	56 V
Ātrums bez slodzes	3150 /min	3150 /min
Griešanas augstums	25-95 mm	25-95 mm
Griešanas augstuma pozīcijas	6	6

Pamatnes izmērs	51 cm	51 cm	
Griešanas platums	50 cm	50 cm	
Zāles maisa tilpums	60 L	60 L	
Plāvēja augstums (bez akumulatora)	25,1 kg	28,1 kg	
Asmens modelis	AB2001	AB2001	
Izmērtais skaņas jaudas līmenis L_{WA}	94 dB(A)	94,32 dB(A)	
Skaņas spiediena līmenis pie operatora auss L_{PA} $K=2,5$ dB(A)	82,5 dB(A)	85,6 dB(A)	
Garantētais skaņas jaudas līmenis L_{WA} (atbilstoši 2000/14/EK)	96 dB(A)	96 dB(A)	
Vibrācija a_{hv} , $K=1,5$ m/s ²	Kreisais rokturis	3,65 m/s ²	1,08 m/s ²
	Labais rokturis	1,64 m/s ²	0,88 m/s ²
Asmens bremze	Jā	Jā	

- Deklarētā vibrācijas kopējā vērtība ir izmērīta saskaņā ar standarta testa metodi un tā var tikt izmantota viena instrumenta salīdzināšanai ar citu.
- Deklarētā vibrācijas kopējā vērtība var tikt izmantota arī iedarbības sākotnējā novērtēšanā.

PIEZĪME: Radītās vibrācijas elektroinstrumenta faktiskās lietošanas laikā var atšķirties no deklarētās vērtības; lai operators tiktu pasargāts, faktiskajos izmantošanas apstākļos ieteicams valkāt cimdus un lietot dzirdes aizsargus.

KOMPLEKTĀCIJA

DETAĻAS NOSAUKUMS	DAUDZUMS
Zāles plāvējs	1
Zāles maiss	1
Zāles maisa karkass	1
Smalcināšanas ieliktnis	1
Sānu izmešu tekne	1
Drošības atslēga	2
Operatora rokasgrāmata	1

LV

APRAKSTS

IEPAZĪSTIET SAVU PLĀVĒJU (Zīm. A, B, C, D, E)

1. Pašgājēja trigeris
2. Rokturis
3. Drošības slēdzis (slēdža svira)
4. Slēdža poga
5. Zāles maiss
6. Ātrās regulēšanas poga
7. Griešanas augstuma regulēšanas svira
8. Aizmugurējais ritenis
9. Sānu izlādes rene
10. Sānu izlādes durtiņas
11. Pļāvēja pamatne
12. LED priekšējie lukturi
13. Priekšējais ritenis
14. Akumulatora pārsegs
15. Aizmugurējais rokturis
16. Aizmugures izlādes durtiņas
17. Pašgājēja ātruma vadības svira
18. Piekabināms aizsargs
19. Drošības atslēgas sprauga
20. Akumulatora atbrīvošanas poga
21. LED priekšējo lukturu slēdža poga
22. Pļāvēja strāvas indikators
23. Mulčošanas ieliktnis
24. Sānu izlādes rene

DARBĪBA

ZĀLES MAISA SALIKŠANA

- 1) Uzvelciet zāles maisu uz karkasa (F att.).
- 2) Piestipriniet karkasam augšējos klipšus (G att.), pēc tam nostipriniet abus sānu klipšus. Visbeidzot nostipriniet apakšējo klipši.
- 3) Attēlā H ir redzams pilnībā saliktais zāles maiss.

SALOKĀMĀ ROKTURA REGULĒŠANA

▲ BRĪDINĀJUMS: Nedarbiniet pļāvēju, kamēr rokturis nav fiksēts kādā no trim iepriekš iestatītajām darbības pozīcijām (AUGŠĒJĀ DARBĪBAS POZĪCIJĀ, VIDĒJĀ DARBĪBAS POZĪCIJĀ vai APAKŠĒJĀ DARBĪBAS POZĪCIJĀ).

LV

Jūsu pļāvējs tiek piegādāts ar rokturi kompaktajā, bloķētajā uzglabāšanas pozīcijā (Zīm. I).

- 1) Izveliet uz āru abus ātrās regulēšanas pogas un pagrieziet par 90°, lai atbrīvotu rokturi no bloķētās uzglabāšanas pozīcijas.
- 2) Paceliet rokturi. Viegli pagrieziet rokturi uz aizmuguri, līdz rokturis ieņem kādu no trim atšķirīgām pozīcijām, kas redzamas Zīm. J. Pagrieziet pogas par 90°, līdz izdzirdat un sajūtat, kā aizturta nofiksējas pareizajā pozīcijā

Zīm. J detaļu aprakstu skatiet tālāk:

J-1	Augšējā darbības pozīcija
J-2	Vidējā darbības pozīcija
J-3	Apakšējā darbības pozīcija
J-4	Bloķētā uzglabāšanas pozīcija

PIEZĪME: Abām ātrās regulēšanas pogām regulēšanas brīdī jāatrodas vienādā augstumā, lai tās varētu vienlaikus nofiksēt vajadzīgajā pozīcijā.

ZĀLES MAISA / MULČOŠANAS IELIKTŅA PIEVIENOŠANA/NOŅEMŠANA

▲ BRĪDINĀJUMS: Nekad neveiciet zāles pļāvēja regulēšanu, pirms nav apturēts pļāvēja motors, izņemta drošības atslēga un asmeņi nav pārtraukuši griezties.

PIEZĪME: Aprīkojumu zāles pļāvējam pievienojiet pirms pļaušanas sākšanas.

■ Zāles maisa pievienošana/noņemšana (Zīm. K)

Noregulējiet rokturi atbilstošā darba pozīcijā. Paceliet aizmugures izlādes durtiņas un uzkariniet zāles maisu uz rotējošā stieņa. Lai to noņemtu, vienkārši paceliet zāles maisu uz augšu un noceliet no rotējošā stieņa. Pēc tam atbrīvojiet aizmugures izlādes durtiņas.

PIEZĪME: Pirms zāles maisa pievienošanas pļāvējam noņemiet iepriekš uzstādīto mulčošanas ieliktni.

■ Mulčošanas ieliktna pievienošana/noņemšana (Zīm. L)

Paceliet aizmugures izlādes durtiņas un ievietojiet pļāvējā mulčošanas ieliktni. Lai to noņemtu, vienkārši izvelciet to ārā. Pēc tam atbrīvojiet aizmugures izlādes durtiņas.

■ Sānu izlādes renes pievienošana/noņemšana (Zīm. M)

Paceliet sānu izlādes durtiņas. Izlīdziniet izlādes renes spraugu ar izlādes durtiņu pogu un viegli atlaidiet sānu izlādes durtiņas, lai tās grieztos ap griešanās stieni, līdz stingri nogulstas uz izlādes renes. Lai to noņemtu, paceliet sānu izlādes durtiņas, paceliet sānu izlādes reni uz augšu, nost no durtiņu montāžas sviras.

Zīm. M detaļu aprakstu skatiet tālāk:

M-1	Sānu izlādes durvīņas
M-2	Montāžas svira
M-3	Montāžas sprauga
M-4	Sānu izlādes rene

GRIEŠANAS AUGSTUMA REGULĒŠANA (Zīm. K)

BRĪDINĀJUMS: Veicot korpasa augstuma regulēšanu, raugieties, lai jūsu kājas neatrastos tā tuvumā. Zāles plāvējam ir pieejami 6 plaušanas augstuma iestatījumi no 20 mm līdz 90 mm. Izvēlieties atbilstošo plaušanas augstumu, izvērtējot zāles veidu un plaušanas apstākļus.

PIEZĪME: Ja veicat iekārtas pārvietošanu, pārliecinieties, ka plaušanas augstums ir iestatīts 3. pozīcijā vai augstāk. Pretējā gadījumā iespējams sabojāt asmeni.

AKUMULATORU BLOKA PIEVIENOŠANA/NOŅEMŠANA (N att.)

Uzlādējiet pirms pirmās lietošanas reizes.

BRĪDINĀJUMS: Nemēģiniet pievienot zāles plāvējam akumulatoru bloku vai darbināt zāles plāvēju gadījumā, ja trūkst kāda detaļa vai kāda detaļa ir salauzta; to atļauts darīt tikai tad, ja bojātā detaļa ir tikusi salabota vai aizvietota. Pretējā gadījumā var būt iespējams gūt nopietnus miesas bojājumus.

■ Pievienošana

Iespiediet akumulatoru bloku akumulatora nodalījumā, līdz izdzirdat "klikšķi".

■ Noņemšana

Akumulatora nodalījumā nospiediet akumulatora atlaišanas pogu.

Zīm. O detaļu aprakstu skatiet tālāk:

O-1	Drošības atslēgas sprauga
O-2	Drošības atslēga
O-3	Akumulatora atbrīvošanas poga

PIEZĪME: Pirms darba uzsākšanas pārliecinieties, ka ir nofiksējies zāles plāvēja aizturis un akumulatoru bloks ir nostiprināts zāles plāvējā.

ZĀLES PLĀVĒJA IEDARBINĀŠANA/IZSLĒGŠANA

BRĪDINĀJUMS: Lietojot jebkāda veida zāles plāvēju, pastāv risks, ka jūsu vai kādas citas personas acīs trāpa svešķermeņi, kas var nopietni traumēt acis. Strādājot ar zāles plāvēju, kā arī veicot zāles plāvēja regulēšanas vai remonta darbus, vienmēr valkājiet aizsargbrilles.

BRĪDINĀJUMS: Pārliecinieties, ka, lietojot zāles plāvēju, citas personas un dzīvnieki atrodas vismaz 30m attālumā no tā.

BRĪDINĀJUMS: Asmens turpina rotēt vēl dažas sekundes pēc zāles plāvēja izslēgšanas. Pirms iedarbināt zāles plāvēju atkārtoti, ļaujiet motoram/asmenim apstāties. Neveiciet zāles plāvēja strauju ieslēgšanu un izslēgšanu.

DROŠĪBAS ATSLĒGA

Lai novērstu nejaušu palaidi vai bezvadu plāvēja neatļautu lietošanu, iekārtas konstrukcijā ir iebūvēta noņemama drošības atslēga. Izņemot šo drošības atslēgu no plāvēja, iekārtas darbība tiks pilnībā atspējota.

BĪSTAMI! Rotējošie asmeņi var izraisīt smagas traumas. Lai novērstu smagu traumu rašanos, izņemiet drošības atslēgu brīžos, kad plāvējs netiek pārraudzīts vai kad veicat plāvēja regulēšanu, tīrīšanu, apkopi, transportēšanu, pacelšanu vai uzglabājat to.

Iedarbināšana (Zīm. Q)

1. Pievienojiet akumulatoru plāvējam, ievietojiet drošības atslēgu atslēgas spraugā un aizveriet akumulatora pārsegu (Zīm. O).
2. Atbilstoši Zīm. P nospiediet uz leju drošības pogu.
3. Kamēr drošības poga ir nospiesta, pavelciet drošības slēdzi uz augšu līdz rokturim un atlaidiet drošības pogu.

Izslēgšana (R att.)

- 1) Atlaidiet drošības slēdzi.
- 2) Automātiskā bremzēšanas mehānisma elektroniskās bremzes 3 sekunžu laikā pēc drošības slēdža atlaišanas apturēs asmens rotāciju.

PAŠGĀJĒJA SISTĒMA AR MAINĪGU ĀTRUMU

LM2010E-SP plāvējs ir aprīkots ar pašgājēja sistēmu ar mainīgu darbības ātruma iespēju. Šī sistēma darbojas neatkarīgi no ieslēgšanas/izslēgšanas slēdža un no asmeņu griešanās.

Lai darbinātu šo sistēmu bez asmeņu griešanās, pavelciet pašgājēja trigeri uz roktura pusi.

Lai izslēgtu pašgājēja sistēmu, atlaidiet pašgājēja trigeri.

Sistēmai ir mainīgs darbības ātrums. Lai palielinātu ātrumu, pārvietojiet pašgājēja ātruma vadības sviru uz priekšu. Lai samazinātu ātrumu, pārvietojiet pašgājēja ātruma vadības sviru atpakaļ (Zīm. S).

Iekārtas darbināšana ar plaušanas asmens griešanos:

1. Iedarbiniet plāvēju.
2. Ar kreiso roku turot drošības slēdzi pret rokturi, ar labo roku pavelciet pašgājēja trigeri uz roktura pusi.

3. Vienlaikus ar labo roku turiet drošības slēdzi un pašgājēja trigeri pret rokturi un ar kreiso roku regulējiet pašgājēja ātruma vadības sviru, lai izvēlētos vajadzīgo ātrumu.

▲ BRĪDINĀJUMS: Lai mazinātu traumu risku, nekad necentieties manuāli darbināt slēdzi vai pašgājēja sistēmu. Izmantojiet pašgājēju tikai tam paredzētajiem mērķiem.

ZĀLES PĻĀVĒJA LED DARBA GAISMAS(A-12 Att.)

Lai ieslēgtu/izslēgtu akumulatora nodalījuma priekšpusē esošās LED darba gaismas, nospiediet darba gaismu pārslēga pogu (D-21 att.).

ZĀLES PĻĀVĒJA JAUDAS INDIKATORS (D-22 att.)

Zāles pļāvējs ir aprīkots ar jaudas indikatoru, kas uzrāda akumulatoru bloka uzlādes līmeni un zāles pļāvēja darba statusu. Jaudas indikators iedegas, ja rotē asmens vai ir ieslēgtas LED darba gaismas.

Zāles pļāvēja jaudas indikators	Nozīme	Darbība
Deg zaļā krāsā	Zāles pļāvējs darbojas normāli, akumulatora uzlādes līmenis ir vismaz 15%	Nav pieejams
Deg sarkanā krāsā	Zems akumulatora uzlādes līmenis	Apturiet zāles pļāvēju un uzlādējiet akumulatoru bloku
Mirgo sarkanā krāsā	Akumulators ir gandrīz pilnībā izlādējies	Apturiet zāles pļāvēju un uzlādējiet akumulatoru bloku
Deg oranžā krāsā	Zāles pļāvējs vai akumulatoru bloks ir pārkaris	Izņemiet akumulatoru bloku no zāles pļāvēja, novietojiet tos ēnā un ļaujiet atdzist vismaz 15 minūtes
Mirgo oranžā krāsā	Zāles pļāvējam ir pārslodze	Samaziniet savu darba ātrumu vai palieliniet pļaušanas augstumu, lai samazinātu slodzi

LV

PĻĀVĒJA PĀRSLODZES AIZSARDZĪBA

Lai novērtu pārslodzi, centieties neplaut pārāk daudz zāles vienlaikus. Samaziniet griešanas ātrumu vai palieliniet griešanas augstumu.

Jūsu pļāvējam ir iebūvēta pārslodzes ķēdes aizsardzības sistēma. Ja pļāvējā darbībā tiek konstatēta pārslodze, motors tiek apturēts un pļāvēja strāvas indikators mirgo oranžā krāsā. Noņemiet pļāvēja akumulatoru. Pārbaudiet, vai zem pamatnes nav sakrājušies zāle, un, ja nepieciešams, iztīriet to, pēc tam ielieciet akumulatoru un atkārtoti iedarbiniet pļāvēju.

AKUMULATORA AIZSARDZĪBA PRET AUGSTU TEMPERATŪRU

Akumulators darbības laikā izdala siltumu. Siltā laikā siltums tiek izkliedēts lēnāk. Ja akumulatora temperatūra darbības laikā pārsniedz 70°C, aizsardzības sistēma nekavējoties izslēdz zāles pļāvēju, lai pasargātu akumulatoru bloku no bojāšanās. Zāles pļāvēja jaudas indikators mirgos oranžā krāsā. Atlaidiet drošības slēdzi, nogaidiet, līdz akumulatoru bloks atdziest līdz aptuveni 67°C temperatūrai, un iedarbiniet zāles pļāvēju atkārtoti.

APKOPE

▲ BRĪDINĀJUMS: Lai izvairītos no smagu trauku rašanās, vienmēr izņemiet drošības atslēgu un akumulatoru no pļāvēja, pirms sākat iekārtas tīrīšanu vai veicat tās apkopi.

▲ BRĪDINĀJUMS: Veicot apkopes darbus, vienmēr izmantojiet identiskas rezerves daļas. Izmantojot jebkādas citas detaļas, var tikt radīts apdraudējums vai iespējams bojāt produktu. Lai nodrošinātu drošumu un uzticamību, visi remonta un detaļu nomainīšanas darbi ir jāveic kvalificētam tehniskajam darbiniekam.

PĻĀVĒJA TĪRĪŠANA

▲ BRĪDINĀJUMS: Vienmēr izņemiet drošības atslēgu un akumulatoru, ja veicat pļāvēja apkopi vai transportēšanu.

Pļāvēja pamatnes apakšdaļu ir jātīra pēc katras lietošanas reizes, jo uzkrājas zāles atgriezumi, lapas, dubļi un citi netīrumi. Šie netīrumi nav vējami, jo veicina rūsas un korozijas veidošanos uz metāla detaļām, kā arī mazina pļāvēja griešanas efektivitāti.

Noņemiet sakrājušos zāli un lapas no piedziņas vārpstas virsas vai apkārtnes (tikai modelim LM2010E-SP) un motora ventilatora (neizmantojiet ūdeni). Noslaukiet pļāvēju ar mitru lupatiņu.

ASMENS NOŅEMŠANA/UZSTĀDĪŠANA

▲ BRĪDINĀJUMS: Vienmēr sargājiet rokas, valkājot blīvus cimdus vai aptinot asmens griezošās malas ar drānām vai citiem materiāliem, kamēr veicat pļāvēja asmens apkopes darbus.

- **Asmens noņemšana (Zīm. V).**

PIEZĪME: Ja skūrve griežas kopā ar motora dzinēja vārpstu, kad atskrūvējat skrūvi, pagrieziet ventilatoru ar

roku, lai izlīdzinātu atveres ventilatorā ar atverēm asmenī, un ievietojiet citu metāla stieni izlīdzinātajās atverēs

■ **Asmens uzstādīšana**

Ievērojiet Zīm. U norādīto montāžas secību, novietojot ventilatora asmeni virzienā uz pamatni un apdrukāto asmens pusi virzienā uz āru, izlīdziniet atveres ventilatorā ar atverēm asmenī (Zīm. W) un pēc tam nostipriniet asmeni, kā parādīts Zīm. X.

Zīm. U un V detaļu aprakstu skatiet tālāk:

U-1	Ventilators	U-5	Skrūve
U-2	Iekšējais atloks	V-1	1. stabilizators
U-3	Ārējais atloks	V-2	2. stabilizators
U-4	Asmens	V-3	14mm spēka skrūve

PIEZĪME: Ieteicamais griezes moments asmens skrūves pievilkšanai ir 49-59Nm.

ZĀLES PĻĀVĒJA UZGLABĀŠANA

- No zāles pļāvēja izņemiet akumulatoru bloku un uzglabājiet zāles pļāvēju vēsā, sausā un tīrā vietā. Neuzglabājiet to korozīvu materiālu, piemēram, mēslojuma vai akmeņsāls tuvumā.
- Ielļojiet zāles pļāvēju.
- Uzglabājiet zāles pļāvēju sausā, vēsā, apjūmtā telpā, kur tam nevar piekļūt bērni.
- Neapklājiet zāles pļāvēju ar plastikāta plēvi. Plastikāta pārklājami materiāli visapkārt zāles pļāvējam "iekapsulē" mitrumu, tādējādi pakļaujot to rūšēšanai un korozijai.
- Zāles pļāvēju iespējams uzglabāt vertikāli vai horizontāli (Y att.).

⚠ BRĪDINĀJUMS: Ja zāles pļāvējs sagāžas no vertikālas pozīcijas, tas var tikt bojāts, kā arī iespējams gūt miesas bojājumus. Ja zāles pļāvējs tiek uzglabāts vertikāli, vienmēr nodrošiniet tā atrašanos stabilā pozīcijā un nepieļaujiet, ka tā tuvumā var nonākt bērni. Ja vien iespējams, uzglabājot novietojiet zāles pļāvēju horizontāli.

Vides aizsargāšana



Neizmetiet elektriskās iekārtas, uzlādes ierīci un baterijas/akumulatorus saimniecības atkritumos!

Saskaņā ar Eiropas Savienības Direktīvu 2012/19/ES un Direktīvu 2006/66/EK, vairs neizmantojamās elektriskās un elektroniskās iekārtas, kā arī bojāti vai izlietoti akumulatoru bloki/baterijas ir jāsavāc atsevišķi.

Ja elektriskās iekārtas tiek izmestas atkritumu poligonos vai izgāztuvēs, gruntsūdeņos var nokļūt kaitīgas vielas, kas pēc tam var nokļūt pārtikas ķēdē, nodarot kaitējumu jūsu veselībai un labklājībai.

AK ATBILSTĪBAS DEKLARĀCIJA



Mēs, CHERVON EUROPE LTD.

47 CASTLE STREET, READING, RG1 7SR, UNITED KINGDOM

deklarējam, ka produkts - **56V litiņa jonu bezvadu zāles pļāvējs LM2010E/LM2010E-SP** - atbilst šādu direktīvu būtiskajām veselības un drošības prasībām:

2006/42/EK, 2004/108/EK, 2011/65/ES, 2000/14/EK

Standarti un tehniskās specifikācijas atsaucas uz:

EN 60335-1, EN 60335-2-77, EN 62233, EN 55014-1, EN 55014-2

	LM2010E	LM2010E-SP
Izmērītais skaņas jaudas līmenis:	94 dB(A)	94,32 dB(A)
Garantētais skaņas jaudas līmenis:	96 dB(A)	96 dB(A)

Peter Melrose
Chervon Europe viceprezidents
vadītājs

Dong Jianxun
Chervon kvalitātes nodaļas
vadītājs

* (pilnvarotais CHERVON pārstāvis un atbildīgais par tehnisko dokumentāciju)

01/01/2016





PROBLĒMU NOVĒRŠANA

▲ BRĪDINĀJUMS: Veicot zāles pļāvēja apkopi vai to transportējot, vienmēr izņemiet drošības atslēgu un akumulatoru bloku. Veicot jebkāda veida apkopes darbus asmenim, vienmēr aizsargājiet rokas un lietojiet cimdus vai aptiniet asmens asās malas ar lupatām vai citu materiālu.

PROBLĒMA	CĒĻONIS	RISINĀJUMS
Zāles pļāvēju nav iespējams iedarbināt	<ul style="list-style-type: none">■ Zāles pļāvēju nav iespējams iedarbināt.■ Akumulatoru bloks ir pilnībā izlādējies.■ Akumulators nav uzstādīts akumulatora nodalījumā.■ Pārāk karsts akumulators vai zāles pļāvēja elektriskā ķēde. (Zāles pļāvēja jaudas indikators 10 sekundes iedegas oranžā krāsā.)■ Sānu rokturi nav pilnībā izvilkti visā to garumā un bloķētāji nav nofiksēti pozīcijā.■ Rokturis neatrodas vienā no divām darba pozīcijām.	<ul style="list-style-type: none">■ Uzlādējiet akumulatoru bloku.■ Pievienojiet akumulatoru pļāvējam, piespiediet to, līdz izdzirdat klikšķi.■ Ļaujiet akumulatoru blokam vai zāles pļāvējam atdzist, līdz temperatūra pazeminās zem 67°C.■ Pilnībā izvelciet rokturi un nofiksējiet abus bloķētājus.■ Noregulējiet rokturi vienā no abām darba pozīcijām.■ Notīriet zāles pļāvēja korpusu un pārļiecinieties, ka asmens var brīvi griezties.
Zāles pļāvējs pļauj nelīdzeni	<ul style="list-style-type: none">■ Asmens ir neass.■ Nav pareizi iestatīts pļaušanas augstums.■ Asmens ir salikts nepareizi.	<ul style="list-style-type: none">■ Uzasiniet asmeni vai nomainiet to.■ Paceliet korpusu augstākā pļaušanas pozīcijā.■ Izjauciet asmeni, ievērojot šīs rokasgrāmatas sadaļā "ASMENS UZSTĀDĪŠANA" iekļautos norādījumus.
Pļaušanas laikā zāles pļāvējs izslēdzas	<ul style="list-style-type: none">■ Akumulatoru bloks ir pilnībā izlādējies.■ Zāles pļāvēja pārslodze.■ Zāles pļāvēja korpusi ir aizsērējuši ar zāli un grūžiem.■ Pārāk karsts akumulators vai zāles pļāvēja elektriskā ķēde. (Zāles pļāvēja jaudas indikators 10 sekundes iedegas oranžā krāsā.)■ Sānu rokturis ir nedaudz iebīdījies, jo uz rokturi ir ticis vērsts spiediena spēks.	<ul style="list-style-type: none">■ Uzlādējiet akumulatoru bloku.■ Palieliniet pļaušanas augstumu vai palēniniet pļaušanas ātrumu.■ Novērsiet aizsērējumu zāles pļāvēja korpusā. Palieliniet pļaušanas augstumu vai pļaujiet šaurāku vālu.■ Ļaujiet akumulatoru blokam vai zāles pļāvējam atdzist, līdz temperatūra pazeminās zem 67°C.■ Atlaidiet bloķētājus. Pilnībā izvelciet sānu rokturus un nofiksējiet bloķētājus atkārtoti.

LV



PROBLĒMA	CĒLONIS	RISINĀJUMS
Zāles plāvējs kārtīgi neveic smalcināšanu	<ul style="list-style-type: none">■ Korpusa apakšpusei ir pielipušas slapjas zāles atliekas.■ Zāles plāvējs ir iestatīts pārāk liela zāles daudzuma plaušanai vienā reizē.	<ul style="list-style-type: none">■ Pirms plaušanas nogaidiet, līdz zāle ir nožuvusi.■ Paceliet korpusu augstākā plaušanas pozīcijā.
Pārmērīgas vibrācijas	<ul style="list-style-type: none">■ Valjīgs plaušanas asmens.■ Nav nobalansēts plaušanas asmens.■ Griezējasmens ir saliekts.■ Salocīta motora ass.	<ul style="list-style-type: none">■ Pievelciet asmens skrūvi.■ Nobalansējiet asmeni, ievērojot dotos norādījumus.■ Nomainiet asmeni.■ Sazinieties ar klientu apkalpošanas centru.
Nav iespējams nofiksēt roktura bloķētājus	<ul style="list-style-type: none">■ Nav pilnībā izvilkti sānu rokturi.	<ul style="list-style-type: none">■ Pilnībā izvelciet sānu rokturus, pēc tam nofiksējiet bloķētājus.

GARANTIJA

EGO GARANTIJAS POLITIKA

Lūdzu, apmeklējiet tīmekļa vietni egopowerplus.com, kur pieejama pilna EGO Garantijas politikas noteikumu un nosacījumu versija.

LV

LUGEGE KOGU JUHEND LÄBI!



LUGEGE JUHEND LÄBI JA PÜÜDKE SELLEST ARU SAADA

⚠ Kaasnev risk! Elektroonilisi seadmeid (nt südamestimulaatorit) kasutavad inimesed peaksid enne seadme kasutamist konsulteerima oma arsti(de)ga. Elektriliste seadmete kasutamine südamestimulaatori läheduses võib põhjustada häireid stimulaatori töös.

⚠ HOIATUS: Ohutuse ja töökindluse tagamiseks tohivad seda seadet remontida ainult vastava kvalifikatsiooniga hooldustehnikud.

Toote eesmärgipärane kasutus ja väärkasutus:

Seade on mõeldud ainult koduaedades muru niitmiseks. Seda ei tohi kasutada väga kõrge, kuiva või märja muru (nt karjamaa muru) niitmiseks ega lehtede purustamiseks. Seadet tohib kasutada vaid käesolevas juhendis lubatud eesmärgil. Igasugust muud kasutust loetakse väärkasutuseks.

TURVASÜMBOLID

Turvasümbolite eesmärk on juhtida kasutajate tähelepanu võimalikele ohtudele. Turvasümboliteid ja nende seletusi tuleb tähele panna ja mõista. Hoiatussümbolid iseenesest ei likvideeri ühtegi ohtu. Nende abil antavad juhised ja hoiatused ei asenda korrektsid õnnetuste ennetamise meetmeid.

⚠ HOIATUS: Lugege kõik käesolevas juhendis olevad turvajuhised enne seadme kasutamist hoollega läbi. Muuhulgas tutvuge kindlasti ka turvasiltidega, millel on tähised "OHT," "HOIATUS," või "ETTEVAATUST". Kui kõiki allpool loetletud juhiseid ei järgita, võib tagajärjeks olla elektrilöökk, tulekahju ja/või tõsised isikuvigastused.

SÜMBOLITE TÄHENDUSED

TURVATEATE SÜMBOL Tähistusega OHT, HOIATUS, või ETTEVAATUST. Võidakse kasutada koos teiste sümbolite õi piktograafidega.

⚠ HOIATUS: Kõigi mootoriga tööriistade kasutamisel on oht, et silma paiskub võõrkehi, mis võivad põhjustada tõsiseid silmakahjustusi. Kandke elektriliste tööriistade kasutamise ajal alati külgkaitsetega kaitseprille ja vajadusel täielikku näokaitset. Soovitame kanda prillide peal laia vaatealaga kaitsemaski või tavalisi külgkaitsetega kaitseprille.

ET

OHUTUSJUHISED

Sel lehel on kujutatud ja kirjeldatud ohutusesümboliteid, mida võib käesolevalt tootelt leida. Enne, kui üritate masinat kokku panna ja kasutada, lugege, tehke omale selgeks ja järgige kõiki juhiseid.

	Ohutusteade	Teie turvalisusega seotud ettevaatusabinõud
	Kandke kaitseprille	Kandke selle toote kasutamise ajal alati kaitseprille või külgkaitsetega kaitseprille ja täielikku näokaitset.
	HOIATUS: Lugege kasutusjuhendit	Et vähendada vigastuste ohtu, peab kasutaja enne toote kasutamist lugema kasutusjuhendit ja selle endale selgeks tegema.
	Olge teravate lõiketeradega ettevaatlik.	Pärast mootori välja lülitamist jätkavad terad pöörlemist – Enne hooldust eemaldage blokeeriv seade. Enne seadme kohandamist või puhastamist lülitage välja ja eemaldage akuplokk (või blokeerimisese).
	Ärge laske kellelgi töö ajal enda lähedal seista	Niidukiga töötamise ajal ei tohi 30m raadiuses olla loomi ega teisi inimesi,
	II klassi konstruktsioon	Topeltisolatsiooniga konstruktsioon.
IPX4	JP-sümbol	Kaitse vee temperatuuriga 4 tihendada
V	Volti	Pinge
A	Amprit	Voolutugevus
Hz	Hertsi	Sagedus (tsükli sekundis)
W	Vatti	Võimsus
min	Minutit	Aeg
	Vahelduvvool	Voolu tüüp
	Alalisvool	Voolu tüüp või omadus
n_0	Tühikäigu kiirus	Tühikäigu pöörlemiskiirus
... /min	Minutis	Pööret minutis

OHUTUSREEGLID JUHTMETA MURUNIIDUKI KASUTAMISEL

⚠ OHT: Selle masina kasutamisel tuleb järgida käesolevas juhendis kirjeldatud ohutusreegleid. Nagu kõigi elektriliste tööriistade puhul, võib ka antud seadmega hooletult ringi käies põhjustada vigastusi. Seade võib vigastada jalgu või käsi ja lennutada objekte. Turvanõuete eiramisel võite põhjustada raskeid või surmavaid vigastusi.

⚠ HOIATUS: Bensiinimootoriga muruniidukite kasutamisel tuleb alati järgida järgnevaid elementaarseid ohutusnõudeid. Sedasi väldite tulekahju, elektrilöögi ja vigastuste ohtu.

OLULINE

ENNE KASUTAMIST LUGEGE TÄHELEPANELIKULT. HOIDKE ALLES.

OHUTUSREEGLID JUHTMETA MURUNIIDUKI KASUTAMISEL

ETTEVAATUST - ÄRGE PUUDUTAGE PÖÖRLEVAID TERI!

KOOLITUS

- Lugege juhend hoolikalt läbi. Tutvuge juhtseadmetega ja seadme korrektse kasutamise põhimõtetega.
- Ärge lubage seadet kasutada lastel ega inimestel, kes pole tutvunud käesoleva juhendiga. Kohalikud seadused võivad seada seadme kasutajatele vanusepiiranguid.
- Ärge kasutage niidukit teiste inimeste (eriti laste) või loomade läheduses.
- Seadme kasutaja vastutab teiste inimeste või nende varaga juhtuvate õnnetuste eest.

ETTEVALMISTUS

- Niitmise ajal kandke alati tugevaid jalatseid ja pikki pükse.
- Ärge kasutage seadet paljajalu või lahtiste jalanõudega. Ärge kasutage väga avaraid või rippuvate ribadega/lipsudega riietust.
- Enne töö alustamist kontrollige tööala ja eemaldage sealt kivid, oksad, traadid ja muud võõrkehaded.
- Enne seadme kasutamist kontrollige alati visuaalselt ega terad, terade poldid või lõikur kulunud või kahjustatud pole. Ühtlase töötulemuse huvides vahetage terasid ja polte alati komplektis. Vahetage välja kahjustatud ja mitteloeatavad etiketid.

KASUTAMINE

- Niitke ainult päevasel ajal või hea kunstliku valgustusega.
- Võimalusel ärge kasutage seadet märjal murul.
- Kallakutel jälgige jalgealust eriti tähelepanelikult.
- Kõndige, ärge jooksk.
- Ratastega niidukite puhul liikuge mööda küngaste külgi, mitte üles-alla.
- Kallakutel suunda muutes olge eriti ettevaatlik.
- Ärge kasutage seadet väga järskudel kallakutel.
- Seadet enda poole tõmmates olge väga ettevaatlik.
- Fikseerige tera(de) asend, kui seadet on vaja üle erinevat tüüpi pindade liikumiseks kallutada ja kui liigute erinevate niidetavate alade vahel.
- Ärge kasutage seadet, mille turvapiirdeid või turvadetailid (nt deflektorid ja/või murukogujad) on kahjustatud või puuduvad.
- Lülitage mootor sisse vastavalt juhiste, hoides jalgu teradest eemal.
- Ärge kallutage seadet, kui proovite selle mootorit käivitada, välja arvatud juhul kui kallutamine on hädavajalik. Sellisel juhul ärge kallutage seadet rohkem kui hädavajalik ja tõstke ainult seadme operaatorist kõige kaugemale jäävat osa. Enne seadme maapinnale tagasi laskmist peavad operaatori mõlemad käed olema tööasendis.
- Ärge käivitage seadet, kui seisate väljutusava ees.
- Ärge asetage oma käsi või jalgu pöörlevate osade alla või lähedale. Pöörlevate niidukite puhul hoiduge väljutusavadest kogu aeg eemale.
- Ärge tõstke ega kandke töötava mootoriga seadet.
- Enne seadme kohandamist või puhastamist lülitage see välja ja eemaldage akuplokk (või blokeerige seade) ning veenduge, et kõik liikuvad osad on täielikult seiskunud.
 - Kui lahkude seadme juurest;
 - Enne ummistuse eemaldamist ja renni puhastamist;
 - Enne seadme puhastamist, kontrollimist või seadistamist;
 - Pärast võõrkehaga pörkimist. Kontrollige ega seadmel kahjustusi pole ja vajadusel parandage, mis võimalik.
- Kui seade hakkab ebanormaalselt vibreerima (kontrollige kohe):
 - Kontrollige kahjustusi;
 - Parandage või asendage kahjustatud osad;
 - Kontrollige ja tugevdage lahtised komponendid.

ET

HOOLDUS JA HOIUSTAMINE

- Seadme kohandamisel olge ettevaatlik ja vältige sõrmede kinni jäämist liikuvate terade või fikseeritud seadmeosade vahele.
- Ohutuse huvides jälgige regulaarselt, et kõik mutrid, poldid ja kruvid oleksid kinni.
- Kontrollige regulaarselt, et murukoguja poleks kulunud ega kahjustatud.
- Vahetage kulunud või kahjustatud osad turvalisuse huvides.
- Terade hooldamisel pidage meeles, et kuigi vooluallikas on välja lülitatud, saab terasid endiselt liigutada.
- Pöörlevate niidukite puhul jälgige, et kasutaksite asenduskomponentidena vaid õiget tüüpi lõikevahendeid..

ISIKLIK OHUTUS

Kui seadme kasutaja pole laste läheduses ülimalt ettevaatlik, võib esineda traagilisi õnnetusi. Lastele pakub muruniiduk ja niitmisprotsess tihti väga suurt huvi. Nad ei taju kaasnevaid ohte. Ärge eeldage, et lapsed püsivad ühe koha peal.

- Lapsed tuleks hoida niidetavast alast eemal, täiskasvanu järelvalve all.
- Kui laps tuleb niiduki lähedusse, jätke niiduk seisma.
- Pimedatesse nurkadesse, ukseavadesse, põõsastikesse, puude alla ja teistesse piiratud nähtavusega kohtadesse liikudes olge väga ettevaatlik.
- Lastele tuleks kindlasti öelda, et niidukiga ei tohi mängida.
- Akupaki niidukilt eemaldamisel lülitage niiduk alati välja. Fikseerige tera(de) asend, kui seadet on vaja üle erinevat tüüpi pindade liikumiseks kallutada ja kui liigute erinevate niidetavate alade vahel.

KASUTAMINE ÜLDISED JUHISED:

- Enne selle seadme kokku panemist lugege läbi kogu käesolev kasutusjuhend. Enne, kui üritate seadet kasutada, lugege, tehke omale selgeks ja järgige kõiki juhendis toodud juhiseid. Enne selle seadme kasutamist tutvuge põhjalikult niiduki juhtseadmetega ja kasutuspõhimõtetega. Hoidke kasutusjuhendit kindlas kohas ja kasutage seda pidevalt, kui tekib küsimusi või soovite tellida varuosi.
- Kasutage sobivat seadet - muruniidukit tohib kasutada vaid niisuguste tööde jaoks, milleks see on ette nähtud.
- Ärge küünitage liigselt – töötage ainult kindlal maapinnal ja kohtades, kus pole ohtu tasakaalu kaotada.

- Muruniiduki teraga lendu paisatud objektid võivad inimestele raskeid vigastusi põhjustada. Enne niitmist tuleb muru alati kontrollida ja ohtlikud objektid eemaldada.
- Enne tagurpidi niitmist ja tagurpidi niites vaadake seljataha ja alla, et teie teele ei jääks väikseid lapsi või teisi inimesi.
- See seade pole mänguasi. Seetõttu olge kogu aeg väga ettevaatlik. See seade on mõeldud vaid ühe töö jaoks – muru niitmiseks. Ärge kasutage seda muudel eesmärkidel.
- Niiduk töötab paremini ja turvaliselt, kui seda kasutada ettenähtud kiirusel.
- Enne seadme kasutamist kontrollige alati visuaalselt ega terad, terade poldid või lõikur kulunud või kahjustatud pole. Kulunud või kahjustatud terad, poldid ja muud komponendid tuleb koheselt seadme tasakaalu säilitamiseks välja vahetada. Vahetage välja kahjustatud ja mitteloetavad etiketid.
- Seadet enda poole tõmmates olge väga ettevaatlik.
- Kontrollige põhjalikult ala, kus seadet kasutama hakatakse. Eemaldage kõik kivid, oksad, traadid, mänguvasjad ja muud võõrkehaded, mis võivad terade vahele kinni jääda või teraga kokku puutudes lendu paiskuda. Lendu paiskunud objektid võivad põhjustada raskeid vigastusi. Plaanige oma liikumistee nii, et niidetav muru ei paiskuks teedele, kõnniteedele, möödakäijate pihta või muus ebasoovitavas suunas. Samuti vältige niidetud muru paiskumist maja seinte või takistuste vastu, sest seal võib see tagasi vastu niiduki kasutajat paiskuda.
- Vältimaks kontakti teraga ja lendavate objektide põhjustatud vigastusi, olge niitmise ajal kogu aeg käepideme taga ning hoidke lapsed, kõrvalseisjad, abistajad ja loomad vähemalt 30 meetri kaugusel töötavast muruniidukist. Peatage masin, kui keegi siseneb tööpiirkonda.
- Kandke seadme kasutamise ja kohandamise või remontimise ajal silmade kaitseks alati kaitseprille. Rikošetiga niiduki alt paiskunud esemed võivad silmi raskesti vigastada. Tolmuses keskkonnas kandke alati näo- või tolmu maski.
- Riietuge asjakohaselt – ärge kandke ehteid ega avaraid riideid. Need võivad liikuvate osade vahele kinni jääda. Väli tingimustes töötades on soovitatav kasutada kummikindaid ja jalanõusid. Kandke kindlaid, tugeva tallaga jalanõusid ning keha ligi hoidvaid pükse ja särki. Soovitatav on kasutada kogu keha katvaid särki ja pükse ning terasest varbaosaga kingi. Ärge kasutage seda seadet paljajalu, sandaalides ega libedates või kergetes (nt riidest) kingades.
- Ärge pange käsi ega jalgu pöörlevate osade lähedale

ET

ega löikealuse alla. Kokkupuutek teraga võite vigastada oma käsi või jalgu.

- Puuduv või kahjustatud väljutusava kaane puhul on oht sattuda kontakti lõiketeradega või saada muruniiduki alt lendavate objektide poolt tekitatud vigastusi.
- Paljud vigastused tekivad, sest niidukit tõmmatakse libisemisest või komistamisest tingitud kukkumise käigus üle jala. Kui kukute, laske käed niidukist koheselt lahti.
- Kõndides ärge tõmmake niidukit kunagi enda poole. Kui tekib vajadus niidukiga tagurpidi seina või takistuse juurest eemale liikuda, vaadake esmalt alla ja taha, et vältida kukkumist ja seejärel toimige järgnevalt:
 - Astuge niipalju tagasi, et teie käed oleksid täiesti sirged.
 - Veenduge, et teie jalgealune on kindel ja püsive tasakaalus.
 - Tõmmake niidukit aeglaselt tagasi mitte rohkem kui poole niiduki ja teie vahelise vahemaa võrra.
 - Vajadusel korra nimetatud samme.
- Ärge töötage niidukiga, kui olete kasutanud alkoholi või narkootikume.
- Ärge kasutage seadet, mille turvapiirdeid või turvadetailid (nt deflektorid ja/või murukogujad) on kahjustatud või puuduvad.
- Olge tähelepanelik ja keskendunud Rakendage tervet mõistust. Ärge kasutage muruniidukit väsinuna.
- Mootori/tera juhtkäepide on turvaseade. Ärge üritage selle funktsionaalsust tühistada. Vastasel korral muutub turvaseade kasutuskõlbmatuks ning te võite saada liikuvate teradega kokku puutumist tingitud kehavigastusi. Mootori/tera juhtkäepide peab töötama mõlemas suunas kergesti ja vabastamisel liikuma automaatselt algasendisse tagasi.
- Vältige ohtlikke keskkondi – ärge kasutage niidukeid märgades või niisketes kohtades..
- Ärge kasutage seadet vihma ajal.
- Jälgige alati oma jalgealust. Libisemine ja kukkumine võib põhjustada raskeid vigastusi. Kui tunnete, et jalgealune muutub ebakindlaks, laske mootori/tera juhtkäepide koheselt lahti ning teraseiskub kolme minuti jooksul.
- Seisake tera, kui ületate kruusateid, jalgradu või autoteid.
- Kui seade peaks ebanormaalselt vibreerima hakkama, peatage mootor ja otsige koheselt vibreerimise põhjust. Vibratsioon hoiatab tavaliselt ohu eest.
 - Kontrollige kahjustusi;
 - Parandage või asendage kahjustatud osad, mida kasutajal on lubatud vahetada;
 - Kontrollige ja tugevdage lahtised komponendid.

- Ärge kasutage niidukit ilma korraliku tagumise kaitsekilbita, väljutusava katteta, murukotita, multšimisavata, külgmiste tühjendusrennideta, mootori/tera juhtkäepidemeta või teiste turvaseadmeteta. Ärge kasutage kunagi kahjustatud turvaseadmetega niidukit. Selle nõude rikkumine võib põhjustada kehavigastusi.
- Kui esineb olukordi, mis pole käesolevas juhendis kirjeldatud käituge hoolsalt ja lähtuge tervest mõistusest. Küsige abi EGO hoolduskeskusest.
- Kasutage ainult järgnevalt nimetatud akuplokke ja laadijaid:

AKUPLOKK	LAADIJA
BA1120E, BA2240E, BA2800, BA3360, BA4200	CH5500E, CH2100E

- Akuplokk tuleb seadmelt enne selle tööea lõppu eemaldada.
- Aku käitlemisel tuleb järgida ohutusreegleid.

TÖÖTAMINE KÜNKANÕLVAL:

Künkanõlval esineb kõige sagedamini libisemisi ja kukkumisi, mille tulemuseks võib olla raske vigastus. Kallakutel jälgige jalgealust eriti tähelepanelikult. Kallakutel töötades tuleb olla eriti tähelepanelik. Kui tunnete ennast kallakul ebakindlalt, ärge niitke sealt.

Kindlasti:

- Liikuge mööda küngaste külgi, mitte üles-alla. Kallakutel suunda muutes olge eriti ettevaatlik.
- Jälgige auke, roopaid, kive, peidetud takistusi ja mügarikke, mis võivad põhjustada libisemist või komistamist. Pikas murus võib leiduda takistusi.

Kindlasti mitte:

- Ärge niitke järsakute, kraavideega kaldapealsete lähedal, sest seal võite kaotada tasakaalu või jalgealuse.
- Ärge niitke künkastel, mille kaldenurk on suurem kui 15 kraadi.
- Ärge niitke märga muru Ebakindel jalgealune võib põhjustada libisemist.

HOOLDUS

⚠ HOIATUS: Murukoti komponendid, väljutusava kate, külgmise väljutusrenn, multšimisava ja tagumine kaitsekiilp võivad kuluda ja kahjustada saada, mille tulemusena võivad liikuvad osad kaitseta jääda või võõrkehade lendu paiskuda, suurendades vigastuste ohtu. Turvalisuse huvides kontrollige komponente sagedasti vahetage kahjustatud komponendid koheselt selles juhendis nimetatud identsete asendusosade vastu.

ET



Võtke ühendust EGO klienditeenindusega või lähima EGO hoolduskeskusega ja kutsuge remonditöid tegema kvalifitseeritud hooldustehnik!

- Kui niiduki sisseehitatud ülekoormuse kaitse lüliti aktiveerub tihti, kontakteeruge EGO klienditeenindusega.
- Ärge puhastage niidukit voolikuga, vältige vee sattumist mootoris ja elektriühenduste peale.
- Eemaldage võti ja hoidke mittekasutatavat niidukit siseruumides. Enne niiduki suletud ruumi paigutamist laske mootoril jahtuda. Muruniidukit tuleks hoidakuivas, kõrges ja lukustatud kabiinis, lastele kättesaamatuna.
- Remontimisel kasutage vaid käesolevas juhendis loetletud originaalvaruosi. Algele tootespetsifikatsioonile mittevastavate varuosade kasutamine võib põhjustada häireid seadme töös ja puudujääke ohutuses.
- Enne niiduki hooldamist, puhastamist või võõrkehade eemaldamist ühendage akuplokk lahti ja võtke niiduki küljest ära.
- Järgige määrimise ja komponentide vahetamise juhiseid.
- Hoidke käepidemed kuivana, puhtana ja vältige õli ja rasva sattumist seadmele.
- Tuleohtu vähendamiseks vältige muru, lehtede ja mustuse kogunemist mootori kaanele.
- Kontrollige tihti, kas tera ja mootori paigalduspoldid on piisavalt tugevalt kinni. Samuti kontrollige visuaalselt, kas tera on kahjustusteta (paindumata ning mõradeta ja kulumistunnusteta) Tera võib asendada ainult identse asendustera, mille andmed on toodud käesolevas juhendis.
- Hoidke niidukit hoolikalt - parima ja ohutuima toimimise huvides hoidke niiduki tera teravana ja puhtana. Niiduki terad on teravad ja võivad lõigata. Hooldustoimingute ajaks katke tera kinni või kandke kindaid ja olge äärmiselt ettevaatlik.
- Ärge kunagi eemaldage ega rikkuge turvaseadmeid. Kontrollige regulaarselt nende korrasolekut. Ärge kunagi tehke midagi, mis võiks segada turvaseadme funktsioneerimist või vähendada turvaseadme pakutavat kaitset.
- Enne rataste või lõikamiskõrguse kohandamist seisake alati mootor.
- Pärast võõrkehaga kokkupuutumist peatage mootor, eemaldage võti ja kontrollige põhjalikult ega niiduk kahjustatud pole. Enne niiduki kasutamist kõrvaldage kahjustused.
- Hooldage ja asendage turvakleebiseid ja juhendavaid kleebiseid vastavalt vajadusele. Võtke ühendust EGO klienditeenindusega või lähima EGO hoolduskeskusega ja kutsuge remonditöid tegema kvalifitseeritud hooldustehnik!
- **HOIDKE SEE KASUTUSJUHE ALLES.** Lugege seda sageli ning kasutage seda, et seadet sageli kasutavaid isikuid välja õpetada. Kui te seadet kellelegi laenate, andke sellega kaasa ka käesolev kasutusjuhend, et vältida seadme väärkasutamist ja võimalikke vigastusi.

AKUSEADMETE KASUTAMINE JA HOOLDUS

- Loodusressursside säilitamiseks järgige akude jäätmekäitlusnõudeid. See toode sisaldab liitiumioonakusid. Kohalikud ja riiklikud seadused keelavad liitiumioonakude olmeprügi hulka viskamist. Konsulteerige kohaliku jäätmekäitlusega tegeleva ametkonnaga, et saada informatsiooni ringlussevõtu ja/või kõrvaldamise võimaluste kohta.
- Pärast akuploki eemaldamist kõrvaldamise või utiliseerimise eesmärgil katke akuploki klemmid vastupidava kleepindiga. Ärge üritage akuploki hävitada ega lahti võtta ega ühtegi selle osa eemaldada. Liitiumioonakud tuleb nõuetekohaselt ringlusse saata või utiliseerida. Ärge kunagi puudutage klemme metallesemetega ega kehaosadega, sest see võib tekitada lühist. Hoidke lastele kättesaamatus kohas. Nende juhiste eiramine võib põhjustada tulekahju ja/või tõsiseid vigastusi.
- **VALEDES TINGIMUSTES KASUTAMISEL VÕIB AKUST VEDELIKKU VÄLJA TULLA; VÄLTIGE KOKKUPUUDET SELLEGA. KOKKUPUUTE TEKKIMISEL LOPUTAGE VEEGA. KUI VEDELIK SATUB SILMA, PÖÖRDUGE LISAKS KA ARSTI POOLE.** Akust väljuv vedelik võib põhjustada ärritust või põletusi.

SPETSIFIKATSIOONID

Mudeli number	LM2010E	LM2010E-SP
Iseliikuv süsteem	Ei	Jah
Pinge	56 V	56 V
Tühikäigu kiirus	3150 /min	3150 /min
Lõikekõrgus	25-95 mm	25-95 mm
Lõikekõrguse valikud	6	6
Aluse suurus	51 cm	51 cm
Lõikelaius	50 cm	50 cm
Murukoti maht	60 L	60 L
Niiduki kõrgus (ilma akuplokita)	25,1 kg	28,1 kg
Tera mudel	AB2001	AB2001

ET

220

56-VOLDISE LIITIUMIOONAKUGA AKUTOITEL MURUNIIDUK — LM2010E/LM2010E-SP

Mõõdetud helirõhk L_{WA}	94 dB(A)	94,32 dB(A)	
Helirõhk seadme operaatorkõrva juures L_{PA} $K=2,5$ dB(A)	82,5 dB(A)	85,6 dB(A)	
Garanteeritud helirõhu tase L_{WA} (vastavalt 2000/14/EN)	96 dB(A)	96 dB(A)	
Vibratsioon a_{hv} $K=1,5$ m/s ²	Vasakpoolne käepide	3,65 m/s ²	1,08 m/s ²
	Parempoolne käepide	1,64 m/s ²	0,88 m/s ²
Tera pidur	Jah	Jah	

- Ametlik vibratsioonitaseme näit on mõõdetud standardsete testmeetodite kohaselt ja seda võidakse kasutada erinevate tööriistade võrdlemiseks.
- Ametlikku vibratsioonitaseme näitu võib kasutada ka algse kokkupuutehinnangu andmiseks.

MÄRKUS: Tegelikul kasutamisel tekivad vibratsioonitase või ametlikult märgitust erinevaid; turvalisuse eesmärgil peaks seadme kasutaja kandma kindaid ja kuulmiskaitseid.

PAKENDI LOEND

OSA NIMI	KOGUS
Muruniiduk	1
Murukott	1
Murukoti raam	1
Multšimisava	1
Külgmine väljutusrenn	1
Turvanupp	2
Kasutusjuhend	1

KIRJELDUS

TUNNE OMA NIIDUKIT (Joon. A ja B ja C ja D ja E)

1. Isepöörlev päästik
2. Käepide
3. Kanglüliti (lüliti hoob)
4. Lüliti nupp
5. Murukott
6. Kiirkohandusnupp
7. Lõikamiskõrguse kohandusnupp
8. Tagaratas

9. Külgmine väljutusrenn
10. Külgmine väljutusava
11. Lõiketerade kate
12. LED-esituled
13. Esiratas
14. Akuploki kaas
15. Tagumine käepide
16. Eesmine väljutusava
17. Isepöörlev kiiruskontrolli hoob
18. Tagumine kaitsekilp
19. Turvanupu pesa
20. Akuvabastusnupp
21. LED-esitulede lüliti
22. Niiduki vooluindikaator
23. Multšimisava
24. Külgmine väljutusrenn

KASUTAMINE

MURUKOTI KOKKUPANEK

- 1) Lükake murukott raamile (joon. F).
- 2) Kinnitage ülemised kinnitid raami külge (joon. G) ja pange kokku kahepoolsed kinnitid. Viimasena paigaldage alumine kinniti.
- 3) Kokkupandud murukott on kujutatud joonisel H.

LAHTIVÕETAVA KÄEPIDEME KOHANDAMINE

⚠ HOIATUS: Ärge üritage muruniidukit käivitada enne kui käepide on fikseeritud ühte kolmest eelseadistatud asendist (ÜLEMINE TÖÖASEND, KESKLINE TÖÖASEND või ALUMINE TÖÖASEND).

Tarnimisel on niiduki käepide pandud kompaktsesse LUKUSTATUD HOIUASENDISSE (Joon. 1)

- 1) Tõmmake välja kaks kiirkohandusnuppu ja pöörake neid 90°, et vabastada käepide LUKUSTATUD HOIUASENDIST.
- 2) Tõstke käepide üles. Kallutage käepidet õrnalt tagasi, kuni käepide on ühes kolmest joonisel J näidatud asendist. Pöörake nuppe 90°, kuni kuulete ja tunnete lukustustihvti õigesse asendisse fikseerumist.

Joonise J osade kirjeldus, vt allapoole:

J-1	Ülemine tööasend
J-2	Keskmine tööasend
J-3	Alumine tööasend
J-4	Lukustatud hoiasend

ET

MÄRKUS: Kaks kiirkohandusnuppu peavad kohandamise ajal olema samal kõrgusel, et need saaks samal hetkel kohale fikseeruda.

KOGUMISKOTI/MULTŠIMISAVA KINNITAMINE/EEMALDAMINE

⚠ HOIATUS: Ärge kohandage töötava mootoriga, eemaldamata turvavõtmega või pöörlevate teradega niidukit. Oodake kuni terad on seiskunud.

MÄRKUS: Enne niitmise alustamist ühendage niiduki külge vajalikud lisaseadmed.

■ Kogumiskoti kinnitamine/eemaldamine (Joon. K)

Kohandage käepide soovitud tööasendisse. Tõstke tagumine tühjendusluuk üles ja kinnitage kogumiskott pöördvarda külge. Eemaldamiseks tõstke kogumiskott lihtsalt üles ja pöördvardalt maha. Viimasena vabastage tagumine tühjendusluuk.

MÄRKUS: Enne kogumiskoti paigaldamist eemaldage eelpaigaldatud multšimisluuk.

■ Multšimisluugi kinnitamine/eemaldamine (Joon. L)

Tõstke tagumine tühjendusluuk üles ja lükake multšimisluuk niiduki sisse. Eemaldamiseks tõmmake see lihtsalt välja. Viimasena vabastage tagumine tühjendusluuk.

■ Külgmise väljutuslahti kinnitamine/eemaldamine (Joon. M)

Tõstke külgmise väljutusluuk üles. Joondage väljutusrenni pesa väljutusluugi nupuga ja vabastage aeglaselt külgmise väljutusluuk nii, et see pöörleks ümber pöördvarda, kuni jääb kindlalt väljutusrennile püsima. Eemaldamiseks tõstke külgmise väljutusluuk ja väljutusrenni üles, luugi paigaldusnupu küljest lahti.

Joonise M osade kirjeldus, vt allapoole:

M-1	Külgmise väljutusava
M-2	Monteerimisnupp
M-3	Monteerimisava
M-4	Külgmise väljutusrenn

LÕIKEKÕRGUSE MUUTMINE (Joon. N)

⚠ HOIATUS: Hoidke jalad niiduki alusest kõrguse muutmise ajal eemal. Niidukil on võimalik valida viie erineva lõikekõrguse vahel vahemikus 20 kuni 90mm. Valige muru tüübile ja seisukorrale vastav lõikekõrgusele.

MÄRKUS: Tööriista liigutamisel veenduge, et valitud lõikekõrgus on 3 või suurem. Vastasel juhul võite kahjustada tera.

ET

AKUPAKI PAIGALDAMINE/EEMALDAMINE (Joon. O)

LAADIGE ENNE ESIMEST KASUTAMIST.

⚠ HOIATUS: Kui mõni seadme komponent on katkine või puudub, ärge proovige akuplokki niiduki külge kinnitada ega niidukit kasutada enne kui katkised või puuduvad komponendid pole asendatud. Selle nõude rikkumine võib põhjustada kehavigastusi.

■ Ühendamiseks

Lükake akuplokki akukambrisse, kuni kuulete "klõpsu".

■ Lahti ühendamiseks

Vajutage akukambris olevat akuvabastusnuppu.

Joonise J osade kirjeldus, vt allapoole:

0-1	Turvanupu pesa
0-2	Turvanupp
0-3	Akuvabastusnupp

MÄRKUS: Jälgige, et niidukil olev riiv klõpsaks kohale ja et akuplokk oleks kindlalt fikseeritud asendis enne kui tööd alustate.

NIIDUKI KÄIVITAMINE

⚠ HOIATUS: Kõigi muruniidukite kasutamisel on oht, et teie või kellegi teise silma paiskub võõrkehi, mis võivad põhjustada tõsiseid silmakahjustusi. Kandke niiduki kasutamisel või remontimisel/kohandamisel alati kaitseprille.

⚠ HOIATUS: Niidukiga töötamise ajal ei tohi 30m raadiuses olla loomi ega teisi inimesi,

⚠ HOIATUS: Pärast niiduki välja lülitamist pöörleb tera veel mõne sekundi. Laske mootoril/teral pöörlemine lõpetada enne kui seadet uuesti käivitada püüate. Ärge lülitage niidukit kiiresti sisse/välja.

TURVANUPP

Teie juhtmeta niiduki juhusliku käivitamise või loata kasutamise vältimiseks on niidukil eemaldatav turvavõti. Kui turvavõti on eemaldatud, pole niiduki kasutamine võimalik.

⚠ OHT: Pöörlevad terad võivad põhjustada raskeid vigastusi. Vigastuste ennetamiseks eemaldage niiduki turvavõti kui jätate selle järelvalveta või kui kohandate, puhastate, hooldate, transpordite, tõstate või hoiustate seadet.

Alustamine (Joon. Q)

1) Kinnitage akuplokk niiduki külge, sisestage turvavõti võtmeaku ja sulgege aku kaas (joon. O).

- 2) Vajutage turvanupp alla, nagu on näidatud joonisel P.
- 3) Hoides turvanuppu all, tõmmake käivitusnõör kuni käepidemeni üles ja laske turvanupp lahti.

Peatamiseks (Joon. R)

- 1) Laske kanglüliti lahti.
- 2) Automaatse pidurdusmehhanismi elektriline pidur peatab terade pöörlemise kolme sekundi jooksul pärast kanglüliti vabastamist.

MUUDETAVA KIIRUSEGA ISELIKUV SÜSTEEM

LM2010E-SP niidukil on muudetava kiirusega ISELIKUV süsteem. Süsteem pole seotud terade sisselülitusnupuga ega terade pöörlemisega.

Kui soovite süsteemi kasutada ilma pöörlevate teradeta, tõmmake iseliikuva süsteemi päästik käepideme juurde.

Seejärel laske iseliikuva süsteemi välja lülitamiseks päästiku ots lahti.

Süsteem on muutuva kiirusega. Kiiruse suurendamiseks liigutage terade kiiruskontrolli hooba edasi. Kiiruse vähendamiseks tõmmake terade kiiruskontrolli hooba tagasi (joon. S).

Pöörleva lõiketeraga kasutamiseks:

1. Niiduki käivitamine
2. Hoides kanglüliti vastu käepidet, tõmmake iseliikuva süsteemi päästikut parema käega käepideme suunas.
3. Hoidke kanglüliti ja päästikut parema käega vastu käepidet ja kohandage vasaku käega pöörlemiskiirus soovitud tasemele.

⚠ HOIATUS: Vigastusteohu vähendamiseks ärge üritage muuta lüliti ega isepöörleva süsteemi funktsionaalsust. Kasutage isepöörlevat süsteemi ainult ettenähtud eesmärgil.

NIIDUKI LED-TÖÖTULED (Joon A-12)

Vajutage lüliti nuppi (Joon. D-21), et lülitada akukambri esiküljel asuvad LED-töötuled sisse/välja.

NIIDUKI VOOLUINDIKAATOR (Joon. D-22)

Niidukil on toiteindikaator, mis teavitab akuploki laetuse astmest ja niiduki olekust. Kui terad pöörlevad või LED-töötuled sisse lülitatakse, hakkab toiteindikaator põlema.

Niiduki vooluindikaator	Tähendus	Toiming
Põlev roheline	Niiduk töötab korralikult; akul on vähemalt 15% laengust alles	N/A

Põlev punane	Aku hakkab tühjaks saama	Seisake niiduk ja vahetage akuplokk
Vilkuv punane	Aku on peaaegu tühi	Seisake niiduk ja vahetage akuplokk
Põlev oranž	Niiduk või aku on ülekuumenenud	Eemaldage aku niidukist, viige varjulisse kohta ja laske vähemalt 15 minutit jahtuda.
Vilkuv oranž	Niiduk on ülekoormatud	Koormuse vähendamiseks aeglustage töötempot ja tõstke lõikamiskõrgust.

NIIDUKI ÜLEKOORMUSE KAITSE

Ülekoormuse ennetamiseks ärge üritage lõigata korraga liiga suurt kogust. Lõikekõrguse tõstmiseks aeglustage liikumiskiirust.

Niidukil on sisseehitatud ülekoormuse kaitse. Ülekoormuse korral mootor seiskub ja niidukil vilgub oranž tuli. Ühendage akuplokk lahti ja puhastage. Kontrollige, kas niiduki alla on muru kogunenud ja vajadusel puhastage alumine osa. Seejärel ühendage aku tagasi ja käivitage niiduk.

AKU KÕRGE TEMPERAATUURI KAITSE

Töö käigus toodab akuplokk soojust. Kuuma ilmaga eraldub soojus aeglasemalt. Kui aku töötemperatuur ületab 70°C, lülitab kaitse süsteem niiduki automaatselt välja, et vältida akuploki kahjustamist. Niiduki toiteindikaator põleb oranžilt. Laske kanglüliti lahti, oodake kuni akuplokk jahtub umbes 67°C-ni ja käivitage niiduk uuesti.

HOOLDUS

⚠ HOIATUS: Raskete kehavigastuste vältimiseks tuleb seadme puhastamise või hooldamise ajaks alati turvavõti eemaldada.

⚠ HOIATUS: Remontimisel kasutage vaid originaalvaruosi. Mis tahes muude osade kasutamine võib põhjustada ohtlikke olukordi või seadet vigastada. Ohutuse ja töökindluse tagamiseks tohivad seda seadet remontida ainult vastava kvalifikatsiooniga hooldustehnikud.

NIIDUKI PUHASTAMINE

⚠ HOIATUS: Niiduki hooldamise ja transportimise ajaks eemaldage alati turvavõti.

ET

Niiduki alumist osa tuleks pärast iga kasutuskorda sinna kogunenud lehtedest, porist ja muust prahist puhastada. Prahi kogunemine ei ole soovitatav, sest see kiirendab seadme metallosade roostetamist ja vähendab niiduki lõikevõimet.

Eemaldage niiduki veovõllile ja veovõlli (ainult mudeli LM2010E-SP puhul) ja mootori ventilaatori ümber kogunenud muru ja lehed (ärge kasutage selleks vett). Pühkige niiduk niiske lapiga puhtaks.

TERA EEMALDAMINE/PAIGALDAMINE

⚠ HOIATUS: Kaitske alati oma käsi, kasutades niiduki terade hooldamisel tugevaid töökindaid või kattes teravad ääred rätikute või muu kattega. Niiduki hooldamise ja transportimise ajaks eemaldage alati akuplokk.

■ Tera eemaldamine (joonis V).

MÄRKUS: Kui poldi lahti keeramisel hakkab see koos mootori võlliga pöörlema, pöörake ventilaatorit käega nii, et teral ja ventilaatoril olevad augud oleksid kohakuti ning lükake kohakuti olevatesse aukudesse teine metallvarras

■ Tera paigaldamine

Järgige joonisel U näidatud toimingute järjestust. Hoides ventilaatoripoolset tera külge niiduki aluse pool ja kirjaga tera külge väljaspool joondage ventilaatoris olevad augud teral olevate aukudega (joonis W) ja keerake tera kinni, nagu näidatud joonisel X.

Jooniste U ja V osade kirjeldust, vt altpoolt:

U-1	Ventilaator	U-5	Polt
U-2	Seesmine äärik	V-1	Stabilisaator 1
U-3	Väliline äärik	V-2	Stabilisaator 2
U-4	Tera	V-3	14mm-mutrivõti

MÄRKUS: Tera poldi soovitatav kinnitustugevus on 49-59Nm.

NIIDUKI HOIUSTAMINE

- Eemaldage akuplokk niiduki küljest ja hoidke seda jahedas, kuivas ja puhtas kohas. Ärge hoidke niidukit korrosiivsete ainete nt väetised või kivisool.
- Niiduki määrimine
- Hoidke niidukid kinnises ja suletud ruumis, mis on jahe, kuiv ja lastele kättesaamatu.
- Ärge katke muruniidukit kilega. Kilekatted koguvad niiduki ümber niiskust, mis põhjustab roostet.
- Niidukit võib hoida püstises asendis (Joon. Y).

⚠ HOIATUS: Kui niiduk hakkab püstisest asendist ära vajuma, võivad sellega kaasneda niiduki kahjustumine või inimestele põhjustatud vigastused. Hoidke püstises asendis hoiustaud niidukit alati kindlal maapinnal ja lastele kättesaamatus kohas. Võimalusel hoiustage niidukit tavalisel töökujul.

ET

224

56-VOLDISE LIITIUMIOONAKUGA AKUTOITEL MURUNIIDUK — LM2010E/LM2010E-SP

Keskkonnakaitse



Ärge visake elektriseadmeid, akulaadijat ega patareisid / akusid olmeprügi hulka!

Vastavalt Euroopa Liidu eriaruandele nr 19/2012 tuleb elektri- ja elektroonika-seadmed, mis pole enam kasutatavad, ning, vastavalt direktiivile 2006/66/EÜ, ka defektsed või kasutatud akuplokkid / patareisid, eraldi kokku koguda.

Kui elektriseadmed maetakse maa sisse või viiakse prügimäele, võivad ohtlikud ained põhjavette lekkida ja toiduahelasse sattuda ning kahjustada teie tervist ja heaolu.

EN VASTAVUSDEKLARATSIOON



Meie, CHERVON EUROPE LTD.

47 CASTLE STREET, READING, RG1 7SR, UNITED KINGDOM

Kinnitame, et see toode, **56-voldise akuga juhtmata jõhvtrimmer LM2010E/LM2010E-SP** vastab järgmiste direktiividega sätestatud esmastele tervise- ja turvanõuetele:

2006/42/EC, 2004/108/EC, 2011/65/EU, 2000/14/EC

Viidatud standardid ja tehnilised spetsifikatsioonid:

EN 60335-1, EN 60335-2-77, EN 62233, EN 55014-1, EN 55014-2

	LM2010E	LM2010E-SP
Mõõdetud helivõimsuse tase:	94 dB(A)	94,32 dB(A)
Garanteeritud helivõimsuse tase:	96 dB(A)	96 dB(A)

Peter Melrose
Chervon Europe'i asepresident

Dong Jianxun
Chevroni kvaliteedijuht

* (CHERVONI volitatud esindaja ja tehniliste dokumentide eest vastutav isik)

01/01/2016

TÖRKEOTSING

⚠ HOIATUS: Niiduki hooldamise ja transportimise ajaks eemaldage alati turvavõti ja akuplokk. Kaitske alati oma käsi, kasutades niiduki terade hooldamisel tugevaid töökindaid või kattes teravad ääred rätikute või muu kattega.

PROBLEEM	PÕHJUS	LAHENDUS
Niiduk ei käivitu	<ul style="list-style-type: none"> ■ Akuplokk on tühi. ■ Akuplokk ei ole akusahtlisse kinnitatud ■ Akuplokk või niiduki voolering on liiga kuum. (Niiduki toiteindikaator põleb 10 sekundit oranžilt.) ■ Küljerelsid pole maksimumalatuses välja sirutatud ja klambrid pole asendisse lukustunud. ■ Käepide pole ühes kahest tööasendist. ■ Muruniiduki alla on kogunenud liiga palju muru ja prahti. 	<ul style="list-style-type: none"> ■ Laadige akuplokk. ■ Kinnitage akuplokk niiduki külge ja suruge sellele, kuni kuulete klõpsatust. ■ Jahutage akuplokki või niidukit, kuni temperatuur langeb alla 67°C. ■ Lükake käepide maksimaalselt välja ja lukustage mõlemad kinnitused. ■ Kohandage käepide ühte kahest tööasendist. ■ Puhastage niiduki alus ja veenduge, et tera saab vabalt liikuda.
Niiduk lõikab ebaühtlaselt	<ul style="list-style-type: none"> ■ Tera on nüri. ■ Lõikekõrgus pole korrektselt seadistatud ■ Tera on valesti külge monteeritud. 	<ul style="list-style-type: none"> ■ Teritage tera või vahetage see välja. ■ Tõstke alust kõrgemale, et niita kõrgemalt. ■ Paigaldage tera tagasi, järgides käesoleva juhendi peatükis "TERA PAIGALDAMINE" antud juhiseid.
Niiduk seiskub niitmise ajal	<ul style="list-style-type: none"> ■ Akuplokk on tühi. ■ Muruniiduk on ülekoormatud. ■ Muruniiduki alla on kogunenud liiga palju muru ja prahti. ■ Akuplokk või niiduki voolering on liiga kuum. (Niiduki toiteindikaator põleb 10 sekundit oranžilt.) ■ Küljrelss tõmbub veidi tagasi käepidemele mõjuva tõukejõu toel. 	<ul style="list-style-type: none"> ■ Laadige akuplokk. ■ Suurendage lõikekõrgust või niitke aeglasemalt ■ Eemaldage niiduki alla kogunenud mass. Suurendage lõikekõrgust või niitke kitsamat riba. ■ Jahutage akuplokki või niidukit, kuni temperatuur langeb alla 67°C. ■ Avage kinnitused. Lükake küljerelsid lõpuni välja ja fikseerige kinnitused uuesti.

ET

PROBLEEM	PÕHJUS	LAHENDUS
Niiduk ei multsi korralikult	<ul style="list-style-type: none">■ Märja muru tükid jäävad muruniiduki aluse külge kinni.■ Niiduk on seadistatud nii, et korruga lõigatakse liiga palju muru.	<ul style="list-style-type: none">■ Enne niitmist oodake, et muru kuivaks.■ Tõstke muruniiduki alust kõrgemaks, et suurendada lõikekõrgust.
Esineb liigset vibratsiooni	<ul style="list-style-type: none">■ Lõiketera on lahti.■ Lõiketera on tasakaalustamata.■ Lõiketera on paindunud.■ Mootorivõll on paindunud.	<ul style="list-style-type: none">■ Keerake tera polt tugevamalt kinni.■ Tasakaalustage tera vastavalt juhendile.■ Vahetage tera.■ Võtke ühendust hoolduskeskusega.
Käepideme lukustusklambreid ei saa suletud asendis fikseerida	<ul style="list-style-type: none">■ Küljerelsid pole täielikult välja lükatud.	<ul style="list-style-type: none">■ Lükaki küljerelsid lõpubi välja ja lukustage klambrid.

GARANTII

EGA GARANTIIPÕHIMÕTTED

Täielikud EGO garantiitingimused leiate veebilehelt egopowerplus.com.

