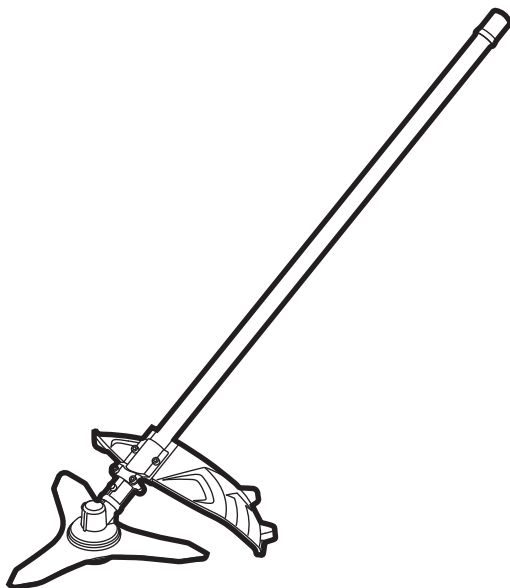


EGO™

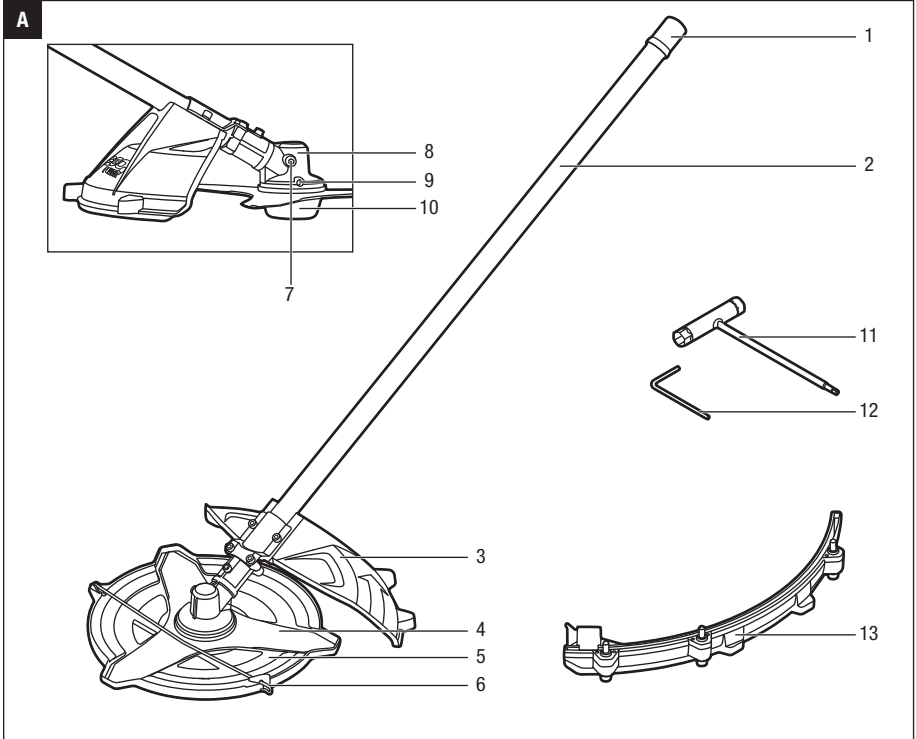
POWER⁺ BRUSH CUTTER ATTACHMENT

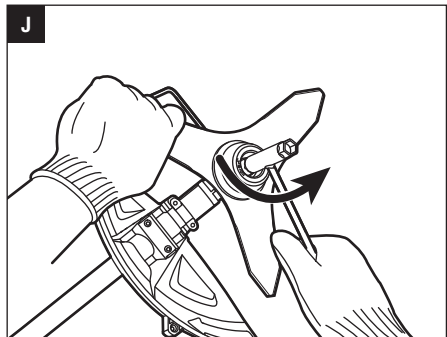
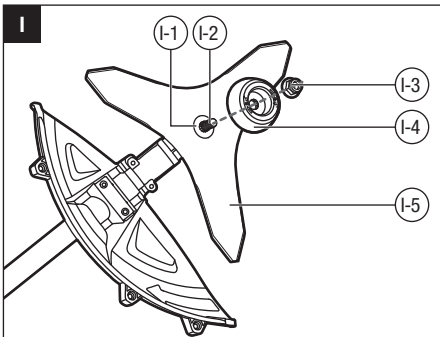
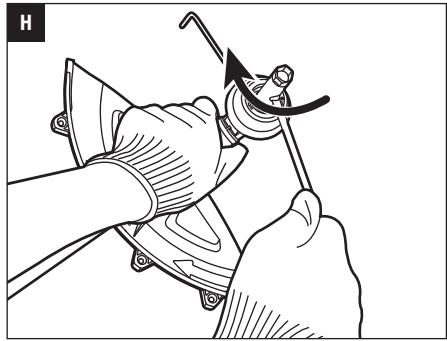
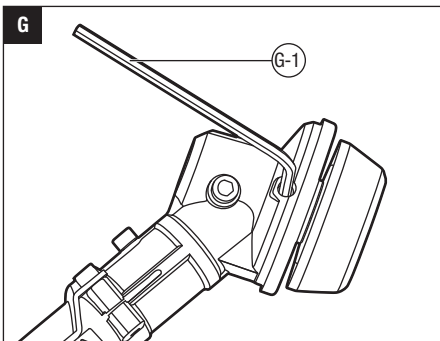
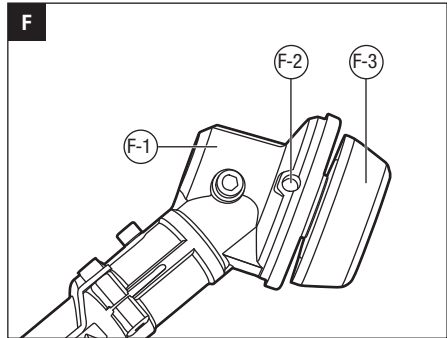
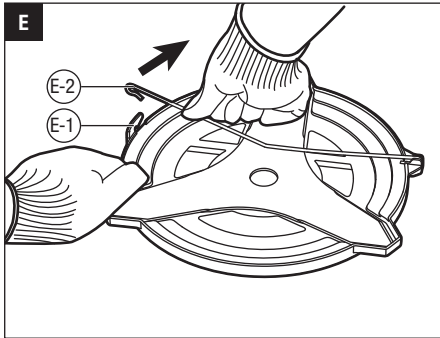
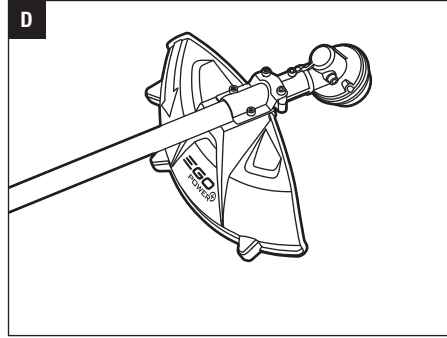
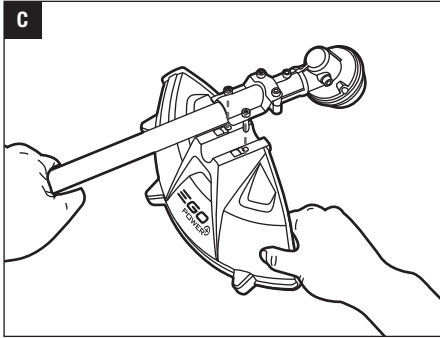


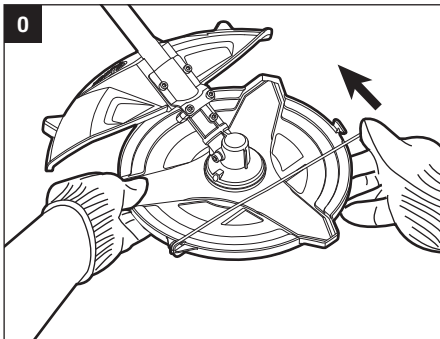
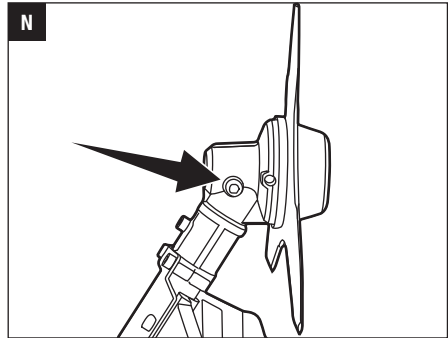
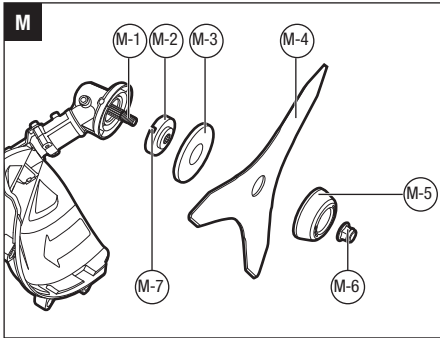
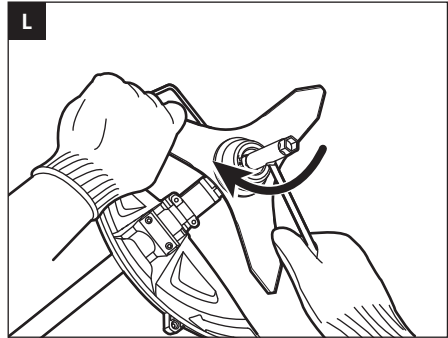
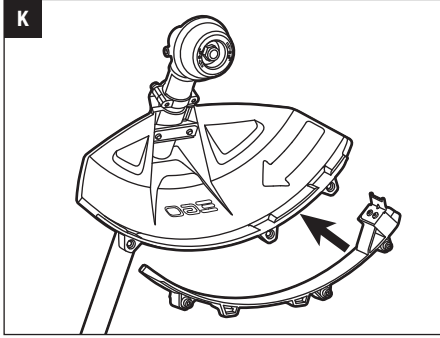
OPERATOR'S MANUAL
**BRUSH CUTTER
ATTACHMENT**
MODEL NUMBER BCA1200

FOR USE ONLY WITH THE 56V LITHIUM-ION POWER HEAD PH1400E

EN	Brush cutter attachment	5	CZ	Nástavec na křovinořez	143
DE	Gestrüppschneideraufsatz	15	SK	Nástavec na krovinořez	152
FR	Accessoire pour Débroussaillouse	26	HU	Fűkasza alkatrész	162
ES	Herramienta desbrozadora	37	RO	Accesoriu trimmer pentru tufişuri	172
PT	Acessório de roçadeira	48	SL	Priključek z obrezovalnikom grmičevja	182
IT	Accessorio decespugliatore a lama	58	LT	Krūmapjovėš priedas	192
NL	Multitool bosmaaier accessoire	69	LV	Krūmgrieža pierīce	202
DK	Buskryddertilbehør	80	GR	Προσάρτημα θαμνοκοπτικού	212
SE	Tillsats för busktrimmer	90	TR	Çalı kesici aksesuarı	224
FI	Raivaussahalisäosa	100	ET	Tarvik: võsalõikur	234
NO	Vegetasjonsklipper	110			
RU	Насадка кустореза	120			
PL	Końcówka kosa do zarośli	132			







READ ALL INSTRUCTIONS!



READ OPERATOR'S MANUAL

⚠ Residual risk! People with electronic devices, such as pacemakers, should consult their physician(s) before using this product. Operation of electrical equipment in close proximity to a heart pacemaker could cause interference or failure of the pacemaker.

⚠ WARNING: To ensure safety and reliability, all repairs and replacements should be performed by a qualified service technician.

SAFETY SYMBOLS

The purpose of safety symbols is to attract your attention to possible dangers. The safety symbols and the explanations with them deserve your careful attention and understanding. The symbol warnings do not, by themselves, eliminate any danger. The instructions and warnings they give are no substitutes for proper accident prevention measures.

⚠ WARNING: Be sure to read and understand all safety instructions in this Operator's Manual, including all safety alert symbols such as **"DANGER," "WARNING,"** and **"CAUTION"** before using this tool. Failure to follow all instructions listed below may result in electric shock, fire, and/or serious personal injury.

SYMBOL MEANING

⚠ SAFETY ALERT SYMBOL: Indicates **DANGER, WARNING, OR CAUTION.** May be used in conjunction with other symbols or pictographs.







⚠ WARNING: The operation of any power tools can result in foreign objects being thrown into your eyes, which can result in severe eye damage. Before beginning power tool operation, always wear safety goggles or safety glasses with side shields and a full face shield when needed. We recommend a Wide Vision Safety Mask for use over eyeglasses or standard safety glasses with side shields.

SAFETY INSTRUCTIONS

This page depicts and describes safety symbols that may appear on this product. Read, understand, and follow all instructions on the machine before attempting to assemble and operate it.

	Safety Alert	Indicates a potential personal injury hazard.
	Read Operator's Manual	To reduce the risk of injury, user must read and understand operator's manual before using this product.
	Wear Eye Protection	Always wear safety goggles or safety glasses with side shields and a full face shield when operating this product.
	Wear Ear Protection	Pole saw noise may damage your hearing. Always wear sound barriers (ear plugs or ear muffers) to protect your hearing.
	Wear Head Protection	Wear an approved safety hard hat to protect your head.
	Wear Protective Gloves	Protect your hands with gloves when handling saw and saw chain. Heavy-duty, nonslip gloves improve your grip and protect your hands.
	Wear Safety Footwear	Wear non-slip safety footwear when using this equipment.
	Cutting Width	The Max. cutting width of brush cutter
	Beware of blade thrust	Warn the operator of the danger of blade thrust.
	Ricochet	Thrown objects can ricochet and result in personal injury or property damage.
	Keep Bystanders Away	Ensure that other people and pets remain at least 15m away from the brush cutter when it is in use.
	No round blade	Do not install round cutting blades.

	Do Not Expose To Rain	Do not use in the rain or leave outdoors while it is raining.
	CE	This product is in accordance with applicable EC directives.
	WEEE	Waste electrical products should not be disposed of with household waste. Take to an authorized recycler.
	Noise	Guaranteed sound power level. Noise emission to the environment according to the European community's Directive.
V	Volt	Voltage
mm	Millimeter	Length or size
cm	Centimeter	Length or size
in.	Inch	Length or size
kg	Kilogram	Weight

IMPORTANT SAFETY INSTRUCTIONS

⚠ WARNING! When using electric brush cutters, basic safety precautions should always be followed to reduce the risk of fire, electric shock, and personal injury, including the following:

READ CAREFULLY BEFORE USE

KEEP FOR FUTURE REFERENCE

⚠ DANGER! Do not rely on the tool's insulation against electric shock. To reduce the risk of electrocution, never operate the machine in the vicinity of any wires or cables (power, etc.) which may carry electric current.

⚠ CAUTION! Wear appropriate personal hearing protection during use. Under some conditions and durations of use, noise from this product may contribute to hearing loss.

Training

- Read the instructions carefully. Be familiar with the controls and the proper use of the machine.
- Never allow people unfamiliar with these instructions or children to use the machine. Local regulations can restrict the age of the operator.

- Keep in mind that the operator or user is responsible for accidents or hazards occurring to other people or their property.

Preparation

- Never operate the machine while people, especially children, or pets are nearby.
- Wear eye protection and stout shoes at all times while operating the machine.
- The distance between the machine and bystanders shall be at least 15m.

Operation

- Use the machine only in daylight or good artificial light.
- Never operate the machine with damaged guards or shields or without guards or shields in place.
- Switch on the motor only when the hands and feet are away from the cutting means.
- Always disconnect the machine from the power supply (i.e. remove the plug from the mains or remove the disabling device).
 - whenever leaving the machine unattended;
 - before clearing a blockage;
 - before checking, cleaning or working on the machine;
 - after striking a foreign object;
 - whenever the machine starts vibrating abnormally.
- Take care against injury to feet and hands from the cutting means.
- Always ensure that the ventilation openings are kept clear of debris.

Maintenance and storage

- Disconnect the machine from the power supply (i.e. remove the plug from the mains or remove the disabling device) before carrying out maintenance or cleaning work.
- Use only the manufacturer's recommended replacement parts and accessories.
- Inspect and maintain the machine regularly. Have the machine repaired only by an authorized repairer.
- When not in use, store the machine out of the reach of children.

Other safety warnings

- **Keep Children Away** - All visitors should be kept at least 15m away from work area.
- **Avoid Dangerous Environments** – Don't use appliances on damp or wet slope.

- **Always turn the brush cutter off or remove the battery pack whenever leaving the tool unattended.**
- **Don't Use In Rain.**
- **Dress Properly** - Do not wear loose clothing, jewelry, short pants, sandals, or go barefoot. They can be caught in moving parts. Always wear heavy, long pants and a long-sleeve shirt. Use of rubber gloves and substantial footwear is recommended when working outdoors. Wear protective hair covering to contain long hair to secure hair above shoulder level.
- **Use Safety Glasses** - Always use face or dust mask if operation is dusty.
- **Use the Right Tool** - Do not use the tool for any job except that for which it is intended.
- **Don't Force the Brush Cutter** - It will do the job better and with less likelihood of a risk of injury at the rate for which it was designed.
- **Stay Alert** - Watch what you are doing. Use common sense. Do not operate the brush cutter when you are tired.
- **Do not operate the brush cutter while under the influence of alcohol or drugs.**
- **Keep guards in place and in working order.**
- **Keep hands and feet away from the cutting area.**
- **Store Brush Cutter Indoors** - When not in use the brush cutter should be stored indoors in a dry and high or locked-up place with the battery pack removed- out of reach of children.
- **Maintain Brush Cutter with Care** - Keep the cutting attachment clean for best performance and to reduce the risk of injury. Follow the instructions for changing accessories. Keep the handles dry, clean, and free from oil and grease.
- **Check Damaged Parts** - Before further use of the brush cutter, a guard or other part that is damaged should be carefully checked to determine that it will operate properly and perform its intended function. Check for alignment of moving parts, binding of moving parts, breakage of parts, mounting, and any other condition that may affect its operation. A guard or other part that is damaged should be properly repaired or replaced by an authorized service center unless indicated elsewhere in this manual.
- **Make sure all fasteners are in place and secure. Be sure the cutting attachment shield is properly attached and in the position recommended by the manufacturer.**
- **Clear the area to be cut before each use.** Remove all objects such as rocks, broken glass, nails, wire, or string, which can be thrown or become entangled in the cutting attachment. Clear the area of children, bystanders and pets. At a minimum, keep all children, bystanders and pets outside a 15 m (50 ft) radius; outside the 15 m (50 ft) zone, there is still a risk of injury from thrown objects. Bystanders should be encouraged to wear eye protection.
- **Always hold the brush cutter firmly, with both hands on the handles, while operating. Wrap your fingers and thumbs around the handles.**
- **Avoid Accidentally Starting** - Don't carry the brush cutter with your finger on the trigger.
- **Do not operate the brush cutter in gaseous or explosive atmospheres.** Motors in these appliances normally spark, and the sparks might ignite fumes.
- **Damage to Brush cutter** - If you strike a foreign object with the brush cutter or it becomes entangled, stop the tool immediately, check for damage and have any damage repaired before further operation is attempted. Do not operate with a broken guard or blade.
- **If the equipment should start to vibrate abnormally, stop the motor and check immediately for the cause.** Vibration is generally a warning of trouble. A loose blade may vibrate, crack, break or come off the brush cutter, which may result in serious or fatal injury. Make sure that the cutting attachment is properly installed and securely fastened. If the blade loosens after fixing it in position, replace it immediately. Never use a brush cutter with a loose cutting attachment.
- **To reduce the risk of injury from loss of control, never work on a ladder or on any other insecure support. Never hold the cutting attachment above waist height.**
- **Keep firm footing and balance.** Do not over-reach. Keep cutting attachment below waist level. Keep all parts of your body away from the rotating cutting attachment.
- Replace a cracked, damaged or worn-out blade immediately, even if damage is limited to superficial cracks. Such attachments may shatter at high speed and cause serious or fatal injury.
- Check the cutting attachment at regular short intervals during operation, or immediately if there is a noticeable change in cutting behavior.

- **If you are approached, stop the motor and cutting attachment. In the case of bladed units, there is the added risk of injury to bystanders from being struck with the moving blade in the event of a blade thrust or other unexpected reaction of the blade.**
- **Warn the operator of the danger of blade thrust.**
 - Blade thrust may occur when the spinning blade contacts an object that it does not immediately cut.
 - Blade thrust can be violent enough to cause the unit and/or operator to be propelled in any direction, and possibly lose control of the unit.
 - Blade thrust can occur without warning if the blade snags, stalls or binds.
 - Blade thrust is more likely to occur in areas where it is difficult to see the material being cut.
- **Do not attach any blade to a unit without proper installation of all required parts. Failure to use the proper parts can cause the blade to fly off and seriously injure the operator and/or bystanders. Discard blades that are bent, warped, cracked, broken, or damaged in any way. Use a sharp blade. A dull blade is more likely to snag and thrust.**
- **A coasting blade can cause injury while it continues to spin after the motor is stopped or trigger is released. Maintain proper control until the blade has completely stopped rotating.**
- **Do not charge the battery pack in rain, or in wet locations.**
- Use only with the battery packs and chargers listed below:

BATTERY PACK	CHARGER
BA1120E, BA2240E, BA2800,	CH2100E CH5500E
- **The battery pack must be removed from the appliance before it is scrapped.**
- **Do not dispose of the battery in a fire.** The cells may explode. Check with local codes for possible special disposal instructions.
- **Do not open or mutilate the battery.** Released electrolyte is corrosive and may cause damage to the eyes or skin. It may be toxic if swallowed.
- **Exercise care in handling batteries in order not to short the battery with conducting materials such as rings, bracelets, and keys.** The battery or conductor may overheat and cause burns.

- **Replacement Parts** - When servicing, use only identical EGO replacement parts. Use of any other accessory or attachment may increase the risk of injury.
- **Battery tools do not have to be plugged into an electrical outlet; therefore, they are always in operating condition.** Be aware of possible hazards even when the tool is not operating. Take care when performing maintenance or service.
- **Remove or disconnect battery pack before servicing, cleaning or removing material from the brush cutter.**
- **Do not wash with a hose; avoid getting water in motor and electrical connections.**
- **If situations occur that are not covered in this manual, use care and good judgment. Contact the EGO Customer Service Center for assistance.**
- **Save these instructions.** Refer to them frequently and use them to instruct others who may use this tool. If you lend this tool to someone else, also lend these instructions to them to prevent misuse of the product and possible injury.

NOTE: SEE YOUR POWER HEAD OPERATOR'S MANUAL FOR ADDITIONAL SPECIFIC SAFETY RULES.

SPECIFICATIONS

Cutting Width	30 cm	
No-Load Speed	5000/6000 min ⁻¹	
Weight	1.82 kg	
Measured sound power level L _{WA}	96.5 dB(A) K=1.88 dB(A)	
Sound pressure level at operator's ear L _{PA}	84.5 dB(A) K=3 dB(A)	
Guaranteed sound power level L _{WA} (measured according to 2000/14/EC)	98 dB(A)	
Valuation of vibration a _h :	Front-assist handle	2.8 m/s ² K=1.6 m/s ²
	Rear handle	3.1 m/s ² K=1.6 m/s ²

- The above parameters are tested and measured equipped with power head PH1400E;
- The declared vibration total value has been measured in accordance with a standard test method and may be used for comparing one tool with another;
- The declared vibration total value may also be used in a preliminary assessment of exposure.

NOTICE: The vibration emission during actual use of the power tool can differ from the declared value in which the tool is used; In order to protect the operator, user should wear gloves and ear protectors in the actual conditions of use.

Recommended Blade

PART NAME	MODEL NUMBER
Brush Butter Blade	ABB1203

PACKING LIST

PART NAME	QUANTITY
Brush Cutter Attachment	1
Blade and Blade Sheath Set	1
Guard	1
Guard Accessory (For use with trimmer head ONLY)	1
Hex Wrench	1
Multi-Function Wrench	1
Operator's Manual	1

DESCRIPTION

KNOW YOUR BRUSH CUTTER ATTACHMENT (Fig. A)

1. End Cap
2. Brush Cutter Shaft
3. Guard
4. Blade
5. Blade Sheath
6. Clamp Wire
7. Sealing Screw
8. Gear Case
9. Shaft-locking Hole
10. Outer Flange
11. Multi-Function Wrench
12. Hex Wrench
13. Guard Accessory (For use with trimmer head ONLY)

⚠ WARNING: Never operate the tool without the guard firmly in place. The guard must always be on the tool to protect the user.

⚠ WARNING: When the tool is used as a line trimmer, equipped with a trimmer head, the guard accessory should be mounted onto the guard. Failure to comply could result in an overly long cutting line and motor overload.

ASSEMBLY

⚠ WARNING: If any parts are damaged or missing, do not operate this product until the parts are replaced. Use of this product with damaged or missing parts could result in serious personal injury.

⚠ WARNING: Do not attempt to modify this product or create accessories not recommended for use with this brush cutter. Any such alteration or modification is misuse and could result in a hazardous condition leading to possibly serious personal injury.

⚠ WARNING: Always wear heavy gloves when installing or removing the blade or the guard or doing any maintenance on the blade. Be careful of the blade and protect your hands from being injured by the blade.

⚠ WARNING: Do not connect to power head until assembly is complete. Failure to comply could result in accidental starting and possible serious personal injury.

NOTICE: The correct assembly sequence of the brush cutter attachment is mounting the guard first, and then the blade, and finally attaching to the power head.

⚠ WARNING: Never operate the tool without the guard and the front-assist handle with barrier bar firmly in place. Failure to comply could result in possible serious personal injury.

MOUNTING THE GUARD

1. Lift the brush cutter head and face it downward; align the two mounting holes in the guard with the two bolts that are preassembled on the fixing board. Make sure that the internal surface of the guard faces towards the brush cutter head (Fig. C).
2. Lock the guard in place with the bolts and the supplied hex wrench (Fig. D).

MOUNTING THE BLADE

1. The blade is shipped with a sheath. Before mounting the blade onto the brush cutter, the sheath should be removed by undoing the clamp wire from the hook on the sheath (Fig. E).

Fig. E parts description see below:

E-1	Hook
E-2	Clamp Wire

2. Rotate the outer flange to align the slot in the inner flange with the shaft-locking hole in the gear case (Fig. F).
3. Insert the hex wrench provided into the aligned holes to act as a stabilizer (Fig. G).

Fig. F & G parts description see below:

F-1	Gear Case	F-3	Outer Flange
F-2	Aligned Shaft-locking Holes	G-1	Stabilizer

4. Position the brush cutter head against a solid surface for support. With one hand grasping the brush cutter shaft and use the other hand to grasp the multi-function wrench provided to loosen the nut in the direction of the arrow marked on the outer flange and remove the nut and the outer flange. Save them for reassembly (Fig. H).
5. Mount the blade onto the motor shaft, ensuring that the surface of the blade is flush with the surface of the inner flange bulge. Go on mounting the outer flange and the nut (Fig. I). Pre-tighten the nut in **COUNTERCLOCKWISE** by hand.

Fig. I parts description see below:

I-1	Inner Flange Bulge	I-4	Outer Flange
I-2	Motor Shaft	I-5	Blade
I-3	Nut		

6. Rotate the outer flange to align the slot in the inner flange with the shaft-locking hole in the gear case and insert the hex wrench provided into the aligned holes to act as a stabilizer as previous step 2 & 3 shown.
7. Position the brush cutter head against a solid surface for support. With one hand grasping the blade and use the other hand to grasp the multi-function wrench provided to tighten the nut opposite the direction of the arrow marked on the outer flange (Fig. J).

Use of Guard Accessory

NOTICE: When the tool is used as a line trimmer equipped with a trimmer head, the guard accessory must be mounted onto the guard (Fig. K).

Secure the guard accessory onto the guard by tightening the three screws with the hex wrench provided. Failure to comply could result in an overly long cutting line and motor overload.

CONNECTING THE BRUSH CUTTER ATTACHMENT TO THE POWER HEAD

This brush cutter attachment is designed for use with EGO Power Head PH1400E.

See “**INSTALLING AN ATTACHMENT TO THE POWER HEAD**” section in the power head PH1400E operator’s manual.

OPERATION

⚠ WARNING: Do not allow familiarity with this product to make you careless. Remember that a careless fraction of a second is sufficient to inflict serious injury.

⚠ WARNING: Always wear eye protection, along with hearing protection. Failure to do so could result in objects being thrown into your eyes and other possible serious injuries.

APPLICATIONS

You may use this product for the purpose listed below:

- Cutting malted grass, weeds, wild growth and scrub, thinning young stands with a maximum stem diameter of 2cm.

NOTICE: The tool is to be used only for its prescribed purpose. Any other use is deemed to be a case of misuse.

USING THE BRUSH CUTTER WITH POWER HEAD

⚠ WARNING: Dress properly to reduce the risk of injury when operating this tool. Do not wear loose clothing or jewelry. Wear eye and ear/hearing protection. Wear heavy, long pants, boots and gloves. Do not wear short pants or sandals or go barefoot.

For safe and better operation, put on the shoulder strap across the shoulder. Adjust the shoulder strap in a comfortable operating position. Hold the brush cutter with one hand on the rear handle and the other hand on the front-assist handle. Keep a firm grip with both hands while in operation. The brush cutter should be held at a comfortable position with the rear handle about hip height. Maintain your grip and balance on both feet. Position yourself so that you will not be drawn off balance by the kickback reaction of the cutting blade (Fig. B).

⚠ WARNING: The shoulder strap is also a quick release mechanism in hazardous situation. When emergency occurs, take it off from your shoulder immediately, no matter what way the strap is in.

To cut wild growth and scrub, lower the rotating blade down onto the growth to achieve a chopping effect. Use the brush cutter like a scythe (sweep it to the right and left) at ground level. Do not use the cutting attachment above waist height.

⚠ WARNING: The higher the cutting attachment is off the ground, the greater the risk of injury from cuttings being thrown sideways.

⚠ WARNING: When cutting young stands or other woody materials up to 2cm in diameter, use the left side of the blade to avoid blade thrust situations. Do not attempt to cut woody material with a larger diameter, since the blade may catch or jerk the brush cutter forward. This may cause damage to the blade or the brush cutter or loss of control of the brush cutter, resulting in personal injury.

⚠ WARNING: Improper use of a brush cutter blade may cause it to crack, chip, or shatter.

Thrown parts may seriously injure the operator or bystander. To reduce the risk of personal injury, it is essential to take the following precautions:

- Avoid contact with hard or solid foreign objects such as stones, rocks or pieces of metal.
- Never cut wood or shrubs with a stem diameter of more than 2cm.
- Inspect the blade at a regular short intervals for signs of damage. Do not continue working with a damaged blade.
- Resharpener the blade regularly (when it has dulled noticeably) and have it balanced if necessary (performed by a qualified service technician).

BLADE THRUST

Exercise extreme caution when using the blade with this unit. Blade thrust is the reaction that may occur when the spinning blade contacts anything it cannot cut. This contact may cause the blade to stop for an instant and suddenly “thrust” the unit away from the object that was hit. This reaction can be violent enough to cause the operator to lose control of the unit. Blade thrust can occur without warning if the blade snags, stalls, or binds. This is more likely to occur in areas where it is difficult to see the material being cut. For cutting ease and safety, approach the weeds being cut with the brush cutter from the right to the left. In the event an unexpected object or woody stock is encountered, this practice could minimize the blade thrust reaction.

Before each use check for damaged/worn parts

Check the blade, guard and front-assist handle and replace any parts that are cracked, warped, bent, or damaged in any way.

The edge of the blade can dull over time. It is recommended that you turn over the blade to extend the life of the blade and periodically sharpen it (performed by a qualified service technician) or replace it with a new blade when necessary.

Clean the brush cutter after each use

See the **MAINTENANCE** section for cleaning instructions.

⚠ WARNING: Ensure the blade has come to a complete stop before cleaning or servicing the brush cutter. Failure to comply could result in possible serious personal injury.

TO START/STOP THE TOOL

See “**STARTING/STOPPING THE POWER HEAD**” section in the power head PH1400E operator’s manual.

MAINTENANCE

⚠ WARNING: Before inspecting, cleaning or servicing the unit, stop the motor, wait for all moving parts to stop, and remove the battery pack. Failure to follow these instructions can result in serious personal injury or property damage.

⚠ WARNING: When servicing, use only identical replacement parts. Use of any other parts may create a hazard or cause product damage. To ensure safety and reliability, all repairs should be performed by a qualified service technician.

⚠ WARNING: Always wear heavy gloves when installing or removing the blade or performing any maintenance on the blade. Be careful of the blade and protect your hands from being injured by the blade.

GENERAL MAINTENANCE

Avoid using solvents when cleaning plastic parts. Most plastics are susceptible to damage from various types of commercial solvents and may be damaged by their use. Use clean cloths to remove dirt, dust, oil, grease, etc.

CLEAN THE UNIT

- Remove the battery
- After each use, clean the debris, clogged soils or grass on the blade and guard with a soft brush.
- Wipe the tool surface with a clean cloth moistened with a mild soap solution.

- Use a small brush or a small vacuum cleaner to clean the air vents on the rear housing.
- Keep the air vents free of obstructions.

When the blade becomes dull, both of the edges of the blade are dull, please sharpen it performed by a qualified service technician or replace with a new blade as necessary.

REPLACING THE BLADE

⚠ WARNING: A worn, cracked, or damaged blade can break and pieces of the damaged blade can become dangerous projectiles. Thrown objects can cause serious injury. Inspect the blade regularly and do not operate the brush cutter with a worn or damaged blade.

⚠ WARNING: Use proper eye protection while removing, sharpening, and installing the blade.

To remove the blade

1. Remove the battery.
2. Rotate the outer flange to align the slot in the inner flange with the shaft-locking hole in the gear case and insert the hex wrench provided into the aligned holes to act as a stabilizer as steps 2 & 3 shown in “**MOUNTING THE BLADE**” section.
3. Position the brush cutter head against a solid surface for support. With one hand grasping the blade and use the other hand to grasp the multi-function wrench provided to loosen the nut in the direction of the arrow marked on the outer flange and remove the nut, the outer flange and the worn blade (Fig. L).
4. Check and replace the inner flange and the flange cover if they are worn (Fig. M).

Fig. M parts description see below:

M-1	Motor Shaft	M-5	Outer Flange
M-2	Inner Flange	M-6	Nut
M-3	Flange Cover	M-7	Slot in the Flange
M-4	Blade		

5. Install the new blade onto the motor shaft as sequence shown in Fig. M. Details follow the steps instructed in step 5, 6 & 7 in “**MOUNTING THE BLADE**” section.

TRANSMISSION GEARS LUBRICATION

The transmission gears in the gear case need be lubricated periodically with gear grease. Check the gear case grease level about every 50 hours of operation by removing the sealing screw on the side of the case.

If no grease can be seen on the flanks of the gear, follow the steps below to fill with gear grease up to 3/4 capacity. Do not completely fill the transmission gears.

1. Hold the brush cutter making the sealing screw is facing upwards (Fig. N).
2. Use the multi-function wrench provided to loosen and remove the sealing screw.
3. Use a grease syringe (not included) to inject some grease into the screw hole.
4. Tighten the sealing screw after injection.

STORING THE UNIT

- Remove the battery pack from the tool.
- Wear heavy gloves to clean the tool thoroughly.
- Mount the blade sheath onto the blade for safe saving (Fig. O).
- Remove the brush cutter attachment from the power head and cover the end cap onto the attachment shaft terminal, if necessary.
- Store the unit in a dry, well-ventilated area, locked-up or up high, out of the reach of children. Do not store the unit on or adjacent to fertilizers, gasoline, or other chemicals.



Protecting the environment



Do not dispose of electrical equipment, battery charger and batteries/rechargeable batteries into household waste!

According to the European law 2012/19/EU, electrical and electronic equipment that is no longer usable, and according to the European law 2006/66/EC, defective or used battery packs/batteries, must be collected separately.

If electrical appliances are disposed of in landfills or dumps, hazardous substances can leak into the groundwater and get into the food chain, damaging your health and well-being.

EC DECLARATION OF CONFORMITY



We, EGO EUROPE GMBH.

Wahlwiesenstrasse 1, D-71711 Steinheim an der Murr
Deutschland

Declare that the product **56V lithium-ion cordless brush cutter attachment BCA1200**, equipped with power head PH1400E

Complies with the essential health and safety requirements of the following Directives:

2006/42/EC, 2014/30/EU, 2011/65/EU, 2000/14/EC

Standards and technical specifications referred to:

EN ISO 11806-1, EN 60745-1, EN 55014-1, EN 55014-2

Measured Sound Power Level: 96.5 dB(A),

Guaranteed Sound Power Level: 98 dB(A)

Peter Melrose
Managing Director of
EGO Europe GmbH

Dong Jianxun
Quality Manager of
Chervon

* (Authorized representative for CHERVON and responsible for technical documentation)

01/12/2016



EN TROUBLESHOOTING

PROBLEM	CAUSE	SOLUTION
Brush cutter fails to start.	<ul style="list-style-type: none">■ The battery pack is not attached to the power head.■ No electrical contact between the power head and the battery pack.■ The battery pack is depleted.■ The lock-off lever and trigger are not depressed simultaneously.	<ul style="list-style-type: none">■ Attach the battery pack to the power head.■ Remove battery, check contacts and reinstall the battery pack until it snaps into place.■ Charge the battery pack with EGO chargers listed in this manual.■ Press down the lock-off lever and hold it, then depress the trigger to turn on the brush cutter.
Brush cutter stops while cutting.	<ul style="list-style-type: none">■ The motor is overloaded.■ The battery pack or the power head is too hot.■ The battery pack is disconnected from the tool.■ The battery pack is depleted.	<ul style="list-style-type: none">■ The motor will recover when the load is removed. For continuous working, decrease the load on the power head.■ Allow the battery pack or the power head to cool until the temperature drops below 152°F (67°C).■ Re-install the battery pack.■ Charge the battery pack with EGO chargers listed in this manual.

WARRANTY

EGO WARRANTY POLICY

Please visit the website egopowerplus.com for full terms and conditions of the EGO Warranty policy.

LESEN SIE ALLE ANWEISUNGEN!



LESEN SIE DIE BEDIENUNGSANLEITUNG

⚠ Restrisiko! Menschen mit elektronischen Geräten, wie z.B. Herzschrittmachern, sollten ihren Arzt konsultieren, bevor sie dieses Gerät verwenden. Die Bedienung von Elektrogeräten in unmittelbarer Nähe zu Herzschrittmachern kann zu Interferenzen und Störungen des Schrittmachers führen.

⚠ WARNUNG: Um die Sicherheit und Zuverlässigkeit zu gewährleisten, sollten alle Reparaturen und der Austausch von Teilen nur von qualifizierten Servicetechnikern durchgeführt werden.

SICHERHEITSSYMBOL

Der Zweck von Warnsymbolen besteht darin, Ihre Aufmerksamkeit auf mögliche Gefahren zu lenken. Die Warnsymbole und deren Erklärungen verdienen Ihre vollste Aufmerksamkeit und Beachtung. Durch die Warnsymbole allein sind die Gefahren noch nicht ausgeschaltet. Die Anweisungen und Warnhinweise stellen keinen Ersatz für angemessene Unfallverhütungsmaßnahmen dar.

⚠ WARNUNG: Achten Sie darauf, dass Sie, bevor Sie das Gerät benutzen, alle Sicherheitsanweisungen dieser Bedienungsanleitung gelesen und verstanden haben, einschließlich aller Gefahrenzeichen wie „**VORSICHT**“, „**WARNUNG**“ und „**ACHTUNG**“. Die Nichtbeachtung der unten angeführten Anweisungen kann zu Stromschlägen, Feuer und/oder schweren Personenschäden führen.

SYMBOLBEDEUTUNG

⚠ SYMBOL FÜR SICHERHEITSWARNUNGEN: Weist auf **GEFAHR**, eine **WARNUNG** oder **VORSICHT** hin. Kann zusammen mit anderen Symbolen oder Bildern verwendet werden.



⚠ WARNUNG: Die Bedienung von Elektrogeräten kann dazu führen, dass Fremdkörper in Ihre Augen geschleudert werden und Sie dadurch schwerwiegende Augenschäden davontragen. Tragen Sie immer eine Schutzbrille, wenn möglich mit Seitenschutz, oder, falls nötig, einen vollen Gesichtsschutz, bevor Sie Arbeiten mit dem Elektrowerkzeug verrichten. Wir empfehlen Ihnen, einen Gesichtsschutz über Ihrer eigenen Brille oder eine herkömmliche Schutzbrille mit Seitenschutz zu tragen.

SICHERHEITSHINWEISE

Diese Seite zeigt und beschreibt die Sicherheitssymbole, die auf diesem Produkt erscheinen können. Lesen, verstehen und befolgen Sie die Anleitungen auf der Maschine, bevor Sie versuchen, die Maschine zusammenzubauen oder zu bedienen.

DE

	Sicherheitswarnung	Weist auf mögliche Verletzungsgefahr hin.
	Lesen Sie die Bedienungsanleitung	Um das Verletzungsrisiko zu verringern, muss der Benutzer die Bedienungsanleitung vor der Benutzung des Gerätes gelesen und verstanden haben.
	Augenschutz tragen	Tragen Sie immer eine Schutzbrille, möglichst mit Seitenschutz, und einen Gesichtsschutz, wenn Sie das Gerät bedienen.
	Gehörschutz tragen	Das Geräusch des Hochentasters kann Ihr Gehör schädigen. Tragen Sie immer einen Schallschutz (Ohrstöpsel oder Ohrschützer), um Ihr Gehör zu schützen.
	Kopfschutz tragen	Tragen Sie einen geprüften Helm, um Ihren Kopf zu schützen.
	Schutzhandschuhe tragen	Schützen Sie Ihre Hände mit Handschuhen, wenn Sie die Säge und die Sägekette anfassen. Robuste, rutschfeste Handschuhe verbessern Ihre Griffsicherheit und schützen Ihre Hände.
	Schutzschuhe tragen	Tragen Sie rutschfestes Schuhwerk bei der Benutzung dieses Gerätes.

	Schnittbreite	Die max. Schnittbreite des Gestrüppschneiders
	Vorsicht - Rückschlaggefahr	Warnen Sie den Benutzer vor der Rückschlaggefahr.
	Querschläger	Herumgeschleuderte Objekte können abprallen und Verletzungen oder Sachschäden verursachen.
	Unbefugte Personen fernhalten	Stellen Sie bei Betrieb sicher, dass andere Personen und Haustiere mindestens 15 m von dem Gestrüppschneider entfernt sind.
	Kein rundes Messer	Keine runden Messer installieren.
	Vor Regen schützen	Nicht im Regen verwenden oder bei Regen im Freien liegen lassen.
	CE	Dieses Produkt erfüllt die anwendbaren EG-Richtlinien.
	WEEE	Elektro- und Elektronik-Altgeräte dürfen nicht im Hausmüll entsorgt werden. Bringen Sie das Gerät zu einem zugelassenen Recyclinghof.
	Geräusch	Garantierter Schallleistungspegel. Geräuschemission an die Umgebung gemäß Richtlinie der Europäischen Gemeinschaft.
V	Volt	Spannung
mm	Millimeter	Länge oder Größe
cm	Zentimeter	Länge oder Größe
in.	Zoll	Länge oder Größe
kg	Kilogramm	Gewicht

WICHTIGE SICHERHEITSHINWEISE

⚠️ WARNUNG: Beim Gebrauch von elektrischen Schneidegeräten sollten stets grundlegende Sicherheitsvorkehrungen beachtet werden, um das Risiko eines Brandes, Stromschlags und von Verletzungen zu reduzieren, darunter die folgenden:

AUFMERKSAM VOR DEM GEBRAUCH LESEN ZUM

NACHSCHLAGEN AUFBEWAHREN

⚠️ VORSICHT: Verlassen Sie sich nicht auf die Isolierung des Werkzeugs gegen Stromschlag. Zur Vermeidung des Stromschlagrisikos darf das Gerät nicht in unmittelbarer Nähe von Leitungen oder Kabeln (Strom etc.) eingesetzt werden, die Strom führen.

⚠️ VORSICHT: Tragen Sie während des Gebrauchs einen angemessenen Gehörschutz. Unter bestimmten Bedingungen und bei längerem Gebrauch kann der Lärm, den dieses Gerät erzeugt, zum Hörverlust beitragen.

Schulung

- Lesen Sie die Anweisungen aufmerksam. Machen Sie sich mit den Bedienelementen und der richtigen Handhabung des Gerätes vertraut.
- Lassen sie niemals Personen, die mit diesen Anleitungen nicht vertraut sind, oder Kinder das Gerät benutzen. Örtliche Bestimmungen können das Alter des Benutzers einschränken.
- Betreiben Sie den Kantenschneider niemals, solange sich noch Personen, insbesondere Kinder oder Haustiere; in der Nähe aufhalten.
- Lassen sie niemals Personen, die mit diesen Anleitungen nicht vertraut sind, oder Kinder das Gerät benutzen. Örtliche Bestimmungen können das Alter des Benutzers einschränken.

Vorbereitung

- Tragen Sie immer einen Augenschutz und robustes Schuhwerk, während Sie das Gerät benutzen.
- Zwischen dem Gerät und Passanten muss ein Sicherheitsabstand von Mindestens 15 m eingehalten werden.

Bedienung

- Benutzen Sie die Maschine nur bei Tageslicht oder unter gutem künstlichen Licht.

- Bedienen Sie das Gerät auf keinen Fall mit beschädigten Schutzvorrichtungen oder Abdeckungen oder ohne Schutzvorrichtungen oder Abdeckungen.
- Schalten Sie den Motor nur ein, wenn Hände und Füße nicht in der Nähe der Schneidwerkzeuge sind.
- Trennen Sie das Gerät immer von der Stromversorgung (d.h., ziehen Sie den Netzstecker aus der Steckdose oder entfernen Sie die Deaktivierungsvorrichtung),
 - wann immer Sie das Gerät unbeaufsichtigt lassen;
 - bevor sie eine Sicherung entfernen;
 - bevor sie am Gerät arbeiten, dieses säubern oder kontrollieren;
 - nachdem Sie einen Fremdkörper getroffen haben;
 - wann immer das Gerät beginnt, ungewöhnlich zu vibrieren.
- Schützen Sie sich vor Verletzungen an Händen und Füßen durch das Schnittgut.
- Stellen sie immer sicher, dass die Lüftungsöffnungen frei von Schmutz bleiben.

Wartung und Lagerung

- Trennen Sie das Gerät von der Stromversorgung (d.h., ziehen Sie den Netzstecker aus der Steckdose oder entfernen Sie die Deaktivierungsvorrichtung), bevor Sie das Gerät warten oder säubern.
- Verwenden sie nur vom Hersteller Original Ersatzteile und Zubehör.
- Prüfen und warten Sie das Gerät regelmäßig. Lassen Sie das Gerät nur von einer autorisierten Servicewerkstatt reparieren.
- Wenn das Gerät nicht benutzt wird, lagern Sie es außer Reichweite von Kindern.

Sonstige Sicherheitshinweise

- **Halten Sie Kinder fern** – Alle Besucher sollten mindestens 15 Meter vom Arbeitsbereich ferngehalten werden.
- **Vermeiden Sie gefährliche Umgebungen** – Benutzen Sie den Rasentrimmer nicht an feuchten oder nassen Stellen.
- **Immer wenn das Werkzeug unbeaufsichtigt zurückgelassen wird, muss der Gestrüppschneider ausgeschaltet oder der Akku entfernt werden.**
- **Benutzen Sie das Gerät nicht im Regen.**
- **Tragen Sie geeignete Kleidung** – Tragen Sie keine weite Kleidung oder Schmuck. Diese können sich in den beweglichen Teilen verfangen. Bei Arbeiten im Freien werden Gummihandschuhe und festes Schuhwerk empfohlen. Tragen Sie eine Schutzhaube, um lange Haare zurückzuhalten.

- **Tragen Sie eine Schutzbrille** – Tragen Sie stets eine Gesichts- oder Staubmaske, wenn die Arbeit staubig ist.
- **Verwenden Sie das richtige Werkzeug** – Verwenden Sie das Werkzeug zu keinem anderen Zweck als den, für den es vorgesehen ist.
- **Üben Sie keinen Druck auf den Gestrüppschneider aus** - Er lässt sich für die Arbeiten besser und sicherer in dem jeweils vorgesehenen Tempo einsetzen.
- **Blieben Sie wachsam** – Achten Sie auf das, was Sie tun. Seien Sie vernünftig. Benutzen Sie den Fadenmäher nicht, wenn Sie müde sind.
- **Benutzen Sie den Gestrüppschneider nicht, wenn Sie unter dem Einfluss von Alkohol oder Drogen stehen.**
- **Lassen Sie die Schutzabdeckungen an ihrem Platz und halten Sie diese in gutem Zustand.**
- **Halten Sie Hände und Füße von dem Schneidbereich fern.**
- **Lagern Sie den Gestrüppschneider im Gebäude** - Wenn der Gestrüppschneider nicht benötigt wird, sollte er in einem Gebäude an einem trockenen und hohen oder abgeschlossenen Ort aufbewahrt werden, der für Kinder unzugänglich ist.
- **Warten Sie den Gestrüppschneider sorgfältig** – Halten Sie das Schneidwerkzeug sauber, damit es stets gut funktioniert und die Verletzungsgefahr verringert wird. Befolgen Sie die Anweisungen zum Wechseln des Zubehörs. Halten Sie die Griffe trocken, sauber und frei von Öl oder Fett.
- **Untersuchen Sie beschädigte Teile** – Bevor Sie den Gestrüppschneider weiter benutzen, müssen Sie eine Schutzabdeckung oder ein anderes Teil, das beschädigt ist, sorgfältig untersuchen, um zu bestimmen, ob es ordnungsgemäß funktionieren und seine bestimmungsgemäße Aufgabe erfüllen wird. Achten Sie auf die Ausrichtung oder Behinderung beweglicher Teile, auf Bruchstellen, Befestigungen und alle anderen Umstände, die die Funktion des Gerätes beeinträchtigen könnten. Eine Schutzabdeckung oder ein anderes Teil, das beschädigt ist, sollte von einer autorisierten Servicewerkstatt sachgemäß repariert oder ersetzt werden, sofern nicht anders in dieser Bedienungsanleitung angegeben.
- **Stellen Sie sicher, dass alle Befestigungselemente sich an ihrem Platz befinden und fixiert sind. Vergewissern Sie sich, ob der Schneidaufsatzschutz korrekt befestigt und in der vom Hersteller empfohlenen Position angebracht ist.**

- **Räumen Sie den Arbeitsbereich vor jedem Einsatz auf.** Entfernen Sie alle Objekte, wie z.B. Steine, zerbrochenes Glas, Nägel, Drähte oder Schnüre, die aus dem Gerät herausgeschleudert werden oder sich in der Schneidvorrichtung verfangen könnten. Halten Sie den Bereich von Kindern, Umstehenden und Haustieren frei. Alle Kinder, Umstehenden und Haustiere sollten einen Mindestabstand von 15 m zum Arbeitsbereich einhalten. Auch außerhalb eines Umkreises von 15 m besteht noch Verletzungsgefahr durch weggeschleuderte Objekte. Zuschauer sollten gebeten werden, Schutzbrillen aufzusetzen.
- **Halten Sie den Gestrüppschneider bei der Arbeit stets mit beiden Händen an den Griffen fest. Umfassen Sie mit Ihren Fingern und den Daumen die Griffe.**
- **Vermeiden Sie einen versehentlichen Gerätestart** – Tragen Sie den Gestrüppschneider nicht mit dem Finger am Ein-/Ausschalter.
- **Benutzen Sie den Gestrüppschneider nicht in gashaltigen oder explosionsgefährdeten Bereichen.** Die Motoren in diesen Geräten erzeugen normalerweise Funken und die Funken können Dämpfe entzünden.
- **Schäden am Gestrüppschneider** – Wenn Sie mit dem Gestrüppschneider einen Fremdkörper treffen oder er verfängt sich, halten Sie das Werkzeug sofort an, prüfen Sie es auf Beschädigungen und lassen Sie eventuelle Beschädigungen reparieren, bevor Sie den Betrieb fortsetzen. Benutzen Sie das Gerät nicht mit defekter Schutzabdeckung oder defektem Messer.
- **Falls das Gerät ungewöhnlich zu vibrieren beginnt, schalten Sie den Motor aus und suchen Sie sofort nach der Ursache.** Vibrationen weisen im Allgemeinen auf Probleme hin. Ein gelockertes Messer kann vibrieren, zerspringen, durchbrechen oder sich vom Gestrüppschneider ablösen. Dadurch besteht schwere oder gar tödliche Verletzungsgefahr. Stellen Sie sicher, dass das Schneidwerkzeug korrekt installiert und sicher befestigt ist. Falls sich das Messer nach dem Anbringen wieder löst, muss es sofort ersetzt werden. Verwenden Sie niemals einen Gestrüppschneider mit locker sitzendem Schneidwerkzeug.
- **Um das Verletzungsrisiko durch Kontrollverlust zu reduzieren, arbeiten Sie nie auf einer Leiter oder einem anderen wackeligen Untergrund. Halten Sie das Schneidwerkzeug niemals über Taillenhöhe.**
- **Immer auf festen Stand und auf das Gleichgewicht achten.** Überstrecken Sie sich nicht. Halten Sie das Schneidwerkzeug unterhalb Taillenhöhe. Halten Sie alle Ihre Körperteile von dem rotierenden Schneidwerkzeug fern.
- Ersetzen Sie ein gerissenes, beschädigtes oder abgenutztes Messer sofort, selbst wenn sich die Beschädigung lediglich auf oberflächliche Risse beschränkt. Bei diesem Geräteaufsatz besteht die Gefahr, dass er bei hoher Drehzahl zerspringt und schwere oder tödliche Verletzungen verursacht.
- Überprüfen Sie das Schneidwerkzeug in regelmäßigen Abständen während des Betriebs oder sofort, wenn Sie eine Veränderung im Schnittverhalten bemerken.
- **Wenn jemand auf Sie zukommt, stellen Sie den Motor und das Schneidwerkzeug ab. Bei Geräten, die mit Messern ausgestattet sind, besteht erhöhte Verletzungsgefahr für Umstehende. Sie könnten im Falle eines Rückschlags oder anderen unerwarteten Reaktionen des Messers von dem sich bewegenden Messer getroffen werden.**
- **Warnen Sie den Benutzer vor der Rückschlaggefahr.**
 - Zu einem Rückschlag kann es kommen, wenn das rotierende Messer auf ein Objekt stößt, das es nicht sofort schneiden kann.
 - Ein Rückschlag kann so heftig sein, dass das Gerät und/oder der Benutzer in jede Richtung geschleudert werden können und der Benutzer möglicherweise die Kontrolle über das Gerät verliert.
 - Ein Rückschlag kann plötzlich auftreten, wenn das Messer stecken bleibt, blockiert oder sich verklemmt.
 - Ein Rückschlag kann eher an Stellen auftreten, wo es schwierig ist, das zu schneidende Material zu sehen.
- **Befestigen Sie kein Messer an einem Gerät, ohne alle erforderlichen Teile sachgemäß zu installieren. Das Messer könnte sich lösen und dem Benutzer und/oder Umstehenden schwere Verletzungen zufügen, wenn nicht die richtigen Teile benutzt werden. Entsorgen Sie verbogene, verformte, gerissene, gebrochene oder in irgendeiner Weise beschädigte Messer. Benutzen Sie ein scharfes Messer. Ein stumpfes Messer wird eher stecken bleiben und einen Rückschlag verursachen.**
- **Ein auslaufendes Messer kann Verletzungen verursachen, während es sich noch dreht, nachdem der Motor angehalten oder der Ein-/Ausschalter losgelassen wurde. Halten Sie das Gerät gut fest, bis das Messer vollkommen stillsteht.**
- **Laden Sie den Akkusatz nicht im Regen oder an nassen Orten auf.**

- Verwenden Sie nur die Akkusätze und Ladegeräte, die hier aufgelistet sind.

AKKU	LADEGERÄT
BA1120E, BA2240E, BA2800	CH2100E CH5500E

- Der Akkusatz muss aus dem Gerät entfernt werden, wenn es ausrangiert wird.**
- Werfen Sie den Akku nicht ins Feuer.** Die Zellen können explodieren. Ziehen Sie die örtlichen Vorschriften zurate, um mehr über mögliche Sondervorschriften der Entsorgung zu erfahren.
- Öffnen oder zerstören Sie den Akku nicht.** Auslaufender Elektrolyt ist ätzend und kann die Augen oder Haut schädigen. Es kann bei Verschlucken giftig sein.
- Lassen Sie beim Umgang mit dem Akku Vorsicht walten, um den Akku nicht mit leitenden Materialien wie Ringen, Armbändern und Schlüsseln kurzzuschließen.** Der Akku oder der Leiter können sich überhitzen und Verbrennungen verursachen.
- Ersatzteile** - Verwenden Sie für die Wartung nur identische EGO Ersatzteile. Bei anderen Zubehörteilen oder Aufsätzen besteht erhöhte Verletzungsgefahr.
- Akkuwerkzeuge müssen nicht mit einer Steckdose verbunden werden; daher sind sie stets einsatzbereit.** Seien Sie sich möglicher Gefahren bewusst, selbst wenn das Werkzeug nicht eingeschaltet ist. Lassen Sie bei Wartungsarbeiten oder Reparaturen Vorsicht walten.
- Entfernen oder trennen Sie den Akku, bevor Sie den Gestrüppschneider reparieren, reinigen oder Schnittgut aus dem Gestrüppschneider entfernen.**
- Waschen Sie das Gerät nicht mit dem Wasserschlauch; lassen Sie kein Wasser in den Motor und die elektrischen Verbindungen gelangen.**
- Falls Situationen auftreten, die nicht in dieser Bedienungsanleitung behandelt werden, gehen Sie vorsichtig und vernünftig vor. Reparaturanfragen richten Sie bitte an das EGO-Kundendienstzentrum.**
- Heben Sie diese Anleitung auf.** Schlagen Sie gegebenenfalls darin nach und verwenden Sie sie, um Andere in die Verwendung des Gerätes einzuweisen. Wenn Sie das Gerät an Andere verleihen, dann verleihen Sie auch diese Anleitung, um der falschen Handhabung und damit möglichen Verletzungen vorzubeugen.

HINWEIS: WEITERE SPEZIFISCHE SICHERHEITSHINWEISE FINDEN SIE IN DER BETRIEBSANLEITUNG IHRES KOMBIMOTORS.

TECHNISCHE DATEN

Schnittbreite	30 cm	
Leerlaufdrehzahl	5000/6000 min ⁻¹	
Gewicht (ohne Akku)	1,82 kg	
Gemessener Schalleistungspegel L _{WA}	96,5 dB(A) K=1,88 dB(A)	
Schalldruckpegel am Ohr des Bedieners L _{PA}	84,5 dB(A) K=3 dB(A)	
Garantierter Schalleistungspegel L _{WA} (nach 2000/14/EG gemessen)	98 dB(A)	
Vibration a _h	Vorderer Haltegriff	2,8 m/s ² k=1,6 m/s ²
	Hinterer Griff	3,1 m/s ² k=1,6 m/s ²

- Die oben genannten Parameter wurden mit dem Kombimotor PH1400E getestet und gemessen;
- Der angegebene Schwingungs-Gesamtwert wurde in Übereinstimmung mit einer Standard-Testmethode gemessen und kann verwendet werden, um Werkzeuge miteinander zu vergleichen.
- Der angegebene Schwingungs-Gesamtwert kann auch als einleitende Feststellung der Belastung verwendet werden.

HINWEIS: Die beim Einsatz des Elektrowerkzeugs entstehenden Istvibrationen können von dem angegebenen Wert abweichen. Zum Schutz des Benutzers sollten Handschuhe und ein Gehörschutz während des Geräteinsatzes getragen werden.

Empfohlenes Messer

TEILEBEZEICHNUNG	MODELLNUMMER
Gestrüppschneidermesser	ABB1203

PACKLISTE

TEILEBEZEICHNUNG	MENGE
Gestrüppschneideraufsatz	1
Messer mit Messerhülle	1
Fadenschutz	1
Anbauteil für die Schutzabdeckung (NUR für die Benutzung mit dem Mähkopf)	1
Sechskantschlüssel	1
Multifunktionsschlüssel	1
Bedienungsanleitung	1

DE

BESCHREIBUNG

DE

BESCHREIBUNG IHRES GESTRÜPPSCHNEIDERAUFSATZES (Abb. A)

1. Endkappe
2. Gestrüppschneiderwelle
3. Fadenschutz
4. Messer
5. Messerhülle
6. Klammerdraht
7. Dichtungsschraube
8. Getriebegehäuse
9. Wellen-Einrastöffnung
10. Außenflansch
11. Multifunktionsschlüssel
12. Inbusschlüssel
13. Anbauteil für die Schutzabdeckung
(NUR für die Benutzung mit dem Mähkopf)

⚠️ WARNUNG: Setzen Sie das Werkzeug nur in Betrieb, wenn die Schutzabdeckung fest angebracht ist. Die Schutzabdeckung muss zum dauerhaften Schutz des Benutzers immer am Werkzeug befestigt sein!

⚠️ WARNUNG: Wenn das Gerät mit einem Mähkopf ausgestattet ist und als Fadenmäher benutzt wird, muss das Anbauteil für die Schutzabdeckung auf der Schutzabdeckung montiert werden. Andernfalls könnte der Mähfaden übermäßig lang und der Motor überlastet werden.

MONTAGE

⚠️ WARNUNG: Wenn Teile beschädigt sind oder fehlen, darf das Gerät erst in Betrieb genommen werden, wenn alle Teile vollständig angebracht sind. Die Verwendung des Geräts mit beschädigten oder fehlenden Teilen kann zu schweren Verletzungen führen.

⚠️ WARNUNG: Versuchen Sie nicht, dieses Produkt zu verändern oder Zubehörteile zu verwenden, die für den Einsatz des Rasentrimmers nicht empfohlen werden. Derartige Änderungen oder Umbauten stellen eine Zweckentfremdung dar und können gefährliche Arbeitsbedingungen hervorrufen, bei denen eine schwere Verletzungsgefahr besteht.

⚠️ WARNUNG: Tragen Sie immer dicke Handschuhe, wenn Sie das Messer oder die Schutzabdeckung installieren oder entfernen oder Wartungsarbeiten am Messer durchführen. Lassen Sie im Umgang mit dem Messer Vorsicht walten und schützen Sie Ihre Hände vor Verletzungen durch das Messer.

⚠️ WARNUNG: Schließen Sie den Kombimotor erst an, wenn die Montage abgeschlossen ist. Andernfalls könnte das Gerät versehentlich eingeschaltet werden und mögliche schwere Verletzungen verursachen.

HINWEIS: Der korrekte Ablauf für die Montage des Gestrüppschneideraufsatzes erfordert, dass erst die Schutzabdeckung montiert wird, dann das Messer und zum Schluss den Kombimotor.

⚠️ WARNUNG: Benutzen Sie das Werkzeug niemals ohne die Schutzabdeckung und dem vorderen Haltegriff mit Bügel sicher an ihrem Platz befestigt. Andernfalls kann es zu möglichen schweren Verletzungen kommen.

MONTIEREN DES FADENSCHUTZES

1. Heben Sie den Gestrüppschneiderkopf an, sodass er nach unten zeigt; richten Sie die zwei Befestigungslöcher in der Schutzabdeckung auf die zwei voreingesetzten Schrauben am Trägerbrett aus. Achten Sie darauf, dass die Innenfläche der Schutzabdeckung in Richtung Gestrüppschneiderkopf zeigt (Abb. C).
2. Fixieren Sie die Schutzabdeckung mit den Schrauben und dem mitgelieferten Inbusschlüssel (Abb. D).

MONTIEREN DES MESSERS

1. Das Messer wird mit einer Hülle geliefert. Bevor Sie das Messer am Gestrüppschneider montieren, sollte die Hülle entfernt werden, indem Sie den Klammerdraht vom Haken der Hülle lösen (Abb. E).

Teilebeschreibung zu Abb. E, siehe unten:

E-1	Haken
E-2	Klammerdraht

2. Drehen Sie den Außenflansch so, dass die Aussparung im Innenflansch mit der Einrastöffnung der Welle im Getriebegehäuse übereinstimmt (Abb. F).
3. Stecken Sie den im Lieferumfang enthaltenen Inbusschlüssel als Stabilisator in die aufeinander ausgerichteten Öffnungen (Abb. G).

Teilebezeichnung der Abb. F & G:

F-1	Getriebegehäuse	F-3	Außenflansch
F-2	Aufeinander ausgerich- tete Einrastöffnungen der Welle	G-1	Stabilisator

4. Stützen Sie den Gestrüppschneiderkopf an einer festen Fläche ab. Halten Sie mit einer Hand die Gestrüppschneiderwelle und mit der anderen Hand den mitgelieferten Multifunktionsschlüssel, um die Mutter in Pfeilrichtung (Markierung auf dem

Außenflansch) zu lösen und die Mutter sowie den Außenflansch zu entfernen. Bewahren Sie die Elemente an einem sicheren Ort auf, um sie später wieder zu montieren (Abb. H).

5. Montieren Sie das Messer an der Antriebswelle und stellen Sie dabei sicher, dass die Oberfläche des Messers mit der Oberfläche der Ausbuchtung des Innenflansches bündig ist. Fahren Sie mit der Montage des Außenflansches und der Mutter fort (Abb. I). Ziehen Sie die Mutter **GEGEN DEN UHRZEIGSINN** handfest an.

Teilebeschreibung zu Abb. I siehe unten:

I-1	Ausbuchtung des Innenflansches
I-2	Antriebswelle
I-3	Mutter
I-4	Außenflansch
I-5	Messer

6. Drehen Sie den Außenflansch so, dass die Aussparung im Innenflansch mit der Einrastöffnung der Welle im Getriebegehäuse übereinstimmt und stecken Sie den im Lieferumfang enthaltenen Inbusschlüssel als Stabilisator in die aufeinander ausgerichteten Öffnungen, wie in Schritt 2 und 3 gezeigt.
7. Stützen Sie den Gestrüppschneiderkopf an einer festen Fläche ab. Halten Sie mit einer Hand das Messer und mit der anderen Hand den im Lieferumfang enthaltenen Multifunktionsschlüssel, um die Mutter in die entgegengesetzte Richtung der Pfeilmarkierung am Außenflansch anzuziehen (Abb. J).

Benutzung des Anbauteils für die Schutzabdeckung

HINWEIS: Wenn das Gerät mit einem Mähkopf ausgestattet ist und als Fadenmäher benutzt wird, muss das Anbauteil für die Schutzabdeckung auf der Schutzabdeckung montiert werden (Abb. K).

Fixieren Sie das Anbauteil für die Schutzabdeckung an der Schutzabdeckung, indem Sie die drei Schrauben mit dem mitgelieferten Inbusschlüssel anziehen. Andernfalls könnte der Mähfaden übermäßig lang und der Motor überlastet werden.

INSTALLATION DES GESTRÜPPSCHNEIDERAUFSATZES AM KOMBIMOTOR

Dieser Gestrüppschneideraufsatz ist zur Verwendung mit dem EGO Kombimotor PH1400E bestimmt.

Siehe Abschnitt „**INSTALLATION EINES ANBAUWERKZEUGS AN DEN KOMBIMOTOR**“ in der Betriebsanleitung des Kombimotors PH1400E.

BEDIENUNG

⚠️ WARNUNG: Vermeiden Sie es, dass die Vertrautheit mit dem Produkt zu Nachlässigkeit führt. Denken Sie daran, dass ein kurzer Moment der Unachtsamkeit zu ernsthaften Verletzungen führen kann.

⚠️ WARNUNG: Tragen Sie immer einen Augenschutz mit Seitenschutz sowie einen Hörschutz. Wenn Sie das unterlassen, kann es dazu kommen, dass Objekte in Ihre Augen geschleudert werden oder dass Ihnen andere mögliche ernsthafte Verletzungen zugefügt werden.

ANWENDUNGEN

Sie können dieses Produkt für den unten aufgeführten Zweck einsetzen:

- Schneiden von Gras, Unkraut, Wildwuchs und Gestrüpp, Durchforsten von Jungwuchs mit einem maximalen Stammdurchmesser von 2 cm.

HINWEIS: Das Gerät darf nur für seinen vorgeschriebenen Zweck verwendet werden. Jeder andere Geräteeinsatz gilt als Zweckentfremdung.

VERWENDUNG DES GESTRÜPPSCHNEIDERS MIT DEM KOMBIMOTOR

⚠️ WARNUNG: Tragen Sie geeignete Kleidung, um das Verletzungsrisiko bei der Benutzung dieses Geräts zu reduzieren. Tragen Sie keine weite Kleidung oder Schmuck. Tragen Sie einen Augen- und Gehörschutz. Tragen Sie robuste lange Hosen, Stiefel und Handschuhe. Tragen Sie keine kurze Hose oder Sandalen und gehen Sie nicht barfuß.

Legen Sie zum sicheren und einfacheren Arbeiten den Schultergurt an. Stellen Sie den Schultergurt so ein, dass die Arbeitsposition bequem ist. Halten Sie den Gestrüppschneider mit einer Hand am hinteren Griff und der anderen Hand am vorderen Haltegriff. Halten Sie das Werkzeug beim Betrieb mit beiden Händen gut fest. Der Gestrüppschneider ist in einer bequemen Position zu halten, der hintere Griff befindet sich dabei etwa in Hüfthöhe. Lockern Sie Ihren Griff nicht und halten Sie Ihr Gleichgewicht auf beiden Füßen.

Stellen Sie sich so hin, dass Sie nicht durch den Rückschlageffekt des Messers aus dem Gleichgewicht gebracht werden (Abb. B).

⚠️ WARNUNG: Der Schultergurt ist zudem ein Schnelllösemechanismus in gefährlichen Situationen. Nehmen Sie ihn bei einem Notfall sofort von Ihrer Schulter, ganz gleich in welcher Weise der Schultergurt umgelegt ist.

Um Wildwuchs und Gestrüpp zu schneiden, senken Sie das rotierende Messer auf das Gestrüpp, um einen abhackenden Effekt zu erzielen. Benutzen Sie den Gestrüppschneider wie eine Sense (schwingen Sie ihn nach links und rechts) auf Bodenebene. Benutzen Sie das Schneidwerkzeug nicht über Tailenhöhe.

⚠️ WARNUNG: Je höher sich das Schneidwerkzeug über dem Boden befindet, umso größer ist die Verletzungsgefahr durch Schnittabfälle, die seitlich weggeschleudert werden.

⚠️ WARNUNG: Wenn Sie Jungwuchs oder anderes Holzmaterial mit einem Durchmesser bis zu 2 cm schneiden, benutzen Sie die linke Seite des Messers, um einen Rückschlag zu vermeiden. Versuchen Sie nicht Holzmaterial mit einem größeren Durchmesser zu schneiden, da das Messer stecken bleiben oder den Gestrüppschneider ruckartig vorwärts ziehen könnte. Das Messer oder der Gestrüppschneider könnten dadurch beschädigt werden oder Sie könnten die Kontrolle über den Gestrüppschneider verlieren und sich verletzen.

⚠️ WARNUNG: Der unsachgemäße Gebrauch eines Gestrüppschneidermessers kann dazu führen, dass es bricht, absplittert oder zerspringt.

Herumgeschleuderte Teile können den Benutzer oder Umstehende verletzen. Um die Verletzungsgefahr zu reduzieren, ist es wichtig, die folgenden Vorsichtsmaßnahmen zu befolgen:

- Vermeiden Sie, harte oder feste Objekte, wie Steine, Felsen oder Metallstücke, zu berühren.
- Schneiden Sie niemals Holz oder Gestrüpp mit einem Stammdurchmesser von über 2 cm.
- Untersuchen Sie das Messer in regelmäßigen, kurzen Abständen auf Anzeichen von Beschädigungen. Arbeiten Sie mit einem beschädigten Messer nicht weiter.
- Schärfen Sie das Messer regelmäßig (wenn es merklich stumpf geworden ist) und lassen Sie es gegebenenfalls abgleichen (von einem qualifizierten Servicetechniker).

RÜCKSCHLAG

Seien Sie äußerst vorsichtig, wenn Sie das Messer mit diesem Gerät benutzen. Ein Rückschlag ist die Reaktion, die auftreten kann, wenn das rotierende Messer auf etwas trifft, das es nicht schneiden kann. Bei diesem Kontakt kann das Messer einen kurzen Moment stoppen und dann plötzlich das Gerät von dem Objekt, das getroffen wurde, „wegstoßen“. Diese Reaktion kann so heftig sein, dass der Benutzer die Kontrolle über das Gerät verliert.

Ein Rückschlag kann plötzlich auftreten, wenn das Messer stecken bleibt, blockiert oder festklemmt. Diese Situation kann eher an Stellen eintreten, wo es schwierig ist, das zu schneidende Material zu sehen. Um das Schneiden zu erleichtern und Ihre Sicherheit zu gewährleisten, schneiden Sie das Gestrüpp, das Sie entfernen möchten, mit dem Gestrüppschneider von rechts nach links. Falls Sie auf ein unerwartetes Objekt oder holziges Material stoßen, kann diese Methode den Rückschlageffekt minimieren.

Prüfen Sie vor jedem Gebrauch auf Schäden/abgenutzte Teile

Prüfen Sie das Messer, die Schutzabdeckung und den vorderen Haltegriff und ersetzen Sie gerissene, verzogene, verbogene oder anders beschädigte Teile.

Die Klinge des Messers kann im Laufe der Zeit stumpf werden. Es empfiehlt sich, das Messer umzudrehen, um die Lebensdauer des Messers zu verlängern, und es regelmäßig schärfen zu lassen (von einem qualifizierten Kundendienst-Techniker) oder es durch ein neues Messer zu ersetzen, falls notwendig.

Reinigen Sie den Gestrüppschneider nach jedem Gebrauch.

Siehe dazu die Reinigungsanweisungen im Abschnitt **WARTUNG**.

⚠️ WARNUNG: Achten Sie darauf, dass das Messer komplett zum Stillstand kommt, bevor Sie den Gestrüppschneider reinigen oder warten. Andernfalls kann es zu möglichen schweren Verletzungen kommen.

START/STOPP DES WERKZEUGS

Siehe Abschnitt „**STARTEN/STOPPEN DES KOMBI-MOTORS**“ in der Betriebsanleitung des Kombimotors PH1400E.

WARTUNG

⚠️ WARNUNG: Vor Überprüfung, Reinigung oder Reparatur des Geräts den Motor ausschalten, warten, bis alle beweglichen Teile zum Stillstand gekommen sind, und Akku abnehmen. Bei Nichtbeachtung dieser Anweisungen kann es zu schweren Verletzungen oder Sachschäden kommen.

⚠️ WARNUNG: Verwenden Sie für die Wartung nur identische Ersatzteile. Die Verwendung anderer Teile kann Unfälle und Schäden am Gerät hervorrufen. Um die Sicherheit und Zuverlässigkeit zu gewährleisten, sollten alle Reparaturen nur von qualifizierten Servicetechnikern durchgeführt werden.

⚠️ WARNUNG: Tragen Sie immer dicke Handschuhe, wenn Sie das Messer installieren oder entfernen oder Wartungsarbeiten am Messer durchführen. Lassen Sie im Umgang mit dem Messer Vorsicht walten und schützen Sie Ihre Hände vor Verletzungen durch das Messer.

LAUFENDE WARTUNGSARBEITEN

Verwenden Sie keine Lösungsmittel zum Reinigen von Kunststoffteilen. Die verschiedenen handelsüblichen Lösungsmittel greifen die meisten Kunststoffe an. Verwenden Sie zum Entfernen von Schmutz, Staub, Öl, Fett usw. saubere Lappen.

REINIGEN DES GERÄTES

- Entfernen des Akkus
- Reinigen Sie nach jedem Gebrauch das Messer und den Messerschutz mit einer weichen Bürste von Erd- und Grasresten.
- Wischen Sie die Oberfläche des Werkzeugs mit einem sauberen Tuch ab, das Sie mit einer milden Seifenlösung anfeuchten.
- Reinigen Sie die Lüftungsschlitze am hinteren Getriebegehäuse mit einer kleinen Bürste oder einem kleinen Staubsauger.
- Halten Sie die Lüftungsschlitze frei von Blockaden.

Wenn das Messer stumpf geworden ist, das heißt, beide Kanten des Messers sind stumpf; lassen Sie es bitte von einem qualifizierten Servicetechniker schärfen oder ersetzen Sie es durch ein neues Messer, falls notwendig.

MESSERWECHSEL

⚠️ WARNUNG: Ein abgenutztes, gesprungenes oder beschädigtes Messer kann brechen und Stücke des beschädigten Messers können zu gefährlichen Geschossen werden. Weggeschleuderte Objekte können schwere Verletzungen verursachen. Untersuchen Sie das Messer regelmäßig und benutzen Sie den Gestrüppschneider nicht mit einem abgenutzten oder beschädigten Messer.

⚠️ WARNUNG: Tragen Sie einen geeigneten Augenschutz, wenn Sie das Messer entfernen, schärfen und installieren.

Entfernen des Messers

1. Entfernen Sie den Akku.
2. Drehen Sie den Außenflansch so, dass sich die Aussparung im Innenflansch über Einrastöffnung der Welle im Getriebegehäuse befindet, und stecken Sie den mitgelieferten Inbusschlüssel als Stabilisator in die übereinanderliegenden Öffnungen, wie in den

Schritten 2 und 3 im Abschnitt „**MONTIEREN DES MESSERS**“ gezeigt.

3. Stützen Sie den Gestrüppschneiderkopf an einer festen Fläche ab. Halten Sie mit einer Hand das Messer und mit der anderen Hand den mitgelieferten Multifunktionsschlüssel, um die Mutter in Pfeilrichtung (Markierung auf dem Außenflansch) zu lösen und die Mutter, den Außenflansch und das abgenutzte Messer zu entfernen (Abb. L).
4. Prüfen und wechseln Sie den Innenflansch und die Flanschabdeckung aus, wenn diese abgenutzt sind (Abb. M).

Teilebezeichnung der Abb. M:

M-1	Antriebswelle
M-2	Innenflansch
M-3	Flanschabdeckung
M-4	Messer
M-5	Außenflansch
M-6	Mutter
M-7	Aussparung im Flansch

5. Installieren Sie das neue Messer auf der Antriebswelle in der Reihenfolge, wie in Abb. M gezeigt. Folgen Sie den Schritten wie in Schritt 5, 6, und 7 im Abschnitt „**MONTIEREN DES MESSERS**“ beschrieben.

SCHMIERUNG DES GETRIEBES

Das Getriebe im Getriebegehäuse muss regelmäßig mit Getriebefett geschmiert werden. Entfernen Sie etwa alle 50 Betriebsstunden die Dichtungsschraube auf der Gehäuseseite und überprüfen Sie den Schmiermittelstand im Getriebegehäuse.

Ist auf den Seiten des Getriebes kein Fett zu sehen, füllen Sie das Getriebe gemäß den untenstehenden Schritten zu 3/4 mit Getriebefett.

Getriebe nicht vollständig befüllen.

1. Halten Sie den Gestrüppschneider so, dass die Dichtungsschraube nach oben zeigt (Abb. N).
2. Lockern Sie die Dichtungsschraube mit dem im Lieferumfang enthaltenen Multifunktionsschlüssel und nehmen Sie sie ab.
3. Befüllen Sie das Gehäuse durch das Schraubenloch mit einer Fettspritze (nicht enthalten).
4. Ziehen Sie die Dichtungsschraube nach dem Fetteinspritzen wieder fest.

AUFBEWAHREN DES GERÄTES

DE

- Nehmen Sie den Akku aus dem Werkzeug.
- Tragen Sie dicke Handschuhe, um das Werkzeug gründlich zu reinigen.
- Setzen Sie die Messerhülle auf das Messer, um es sicher aufzubewahren (Abb. O).
- Entfernen Sie den Gestrüppschneideraufsatz vom Kombimotor und setzen Sie gegebenenfalls die Endkappe auf den Anschluss des Aufsatzschafes.
- Lagern Sie das Gerät an einem trockenen, gut belüfteten Ort, der sich abschließen lässt oder hoch gelegen und für Kinder unerreichbar ist. Lagern Sie das Gerät nicht auf oder neben Düngemitteln, Benzin oder anderen Chemikalien.

Schützen Sie die Umwelt



Entsorgen Sie elektronische Geräte, Ladegeräte und Batterien/Akkus nicht im Hausmüll!

Gemäß der europäischen Rechtsnorm 2012/19/EU müssen elektrische und elektronische Geräte, die nicht mehr benutzt werden, separat gesammelt werden. Dasselbe trifft gemäß der europäischen Rechtsnorm 2006/66/EC auch auf defekte oder verbrauchte Batterien/Akkus zu.

Wenn elektrische Geräte auf Deponien oder Schutthalde entsorgt werden, dann können gefährliche Substanzen ins Grundwasser sickern und in die Nahrungskette übergehen, was Ihre Gesundheit und Ihr Wohlbefinden beeinträchtigen kann.

EG-KONFORMITÄTserklärung



DIE FIRMA EGO EUROPE GMBH

Wahlwiesenstrasse 1, D-71711 Steinheim an der Murr
Deutschland

Hiermit wird erklärt, dass das Produkt - **56 V Lithium-Ionen-Akku-Gestrüppschneideraufsatz BCA1200** - mit Kombimotor PH1400E

die erforderlichen Gesundheits- und Sicherheitsvorschriften der folgenden Richtlinien erfüllt:

2006/42/EG, 2014/30/EU, 2011/65/EU, 2000/14/EG

Zugeordnete Normen und technische Bestimmungen:

EN ISO 11806-1, EN 60745-1, EN 55014-1, EN 55014-2

Gemessener Schalleistungspegel: 96,5 dB(A),

Gewährleisteter Schalleistungspegel: 98 dB(A)

Peter Melrose
Geschäftsführer der
EGO Europe GmbH

Dong Jianxun
Qualitätsmanager
Chervon

* (Verantwortlicher Vertreter von CHERVON und technischer Dokumentationsverantwortlicher)

01/12/2016

FEHLERBEHEBUNG

DE

PROBLEM	URSACHE	LÖSUNG
Gestrüppschnaider lässt sich nicht starten.	<ul style="list-style-type: none"> ■ Der Akku ist nicht am Kombimotor angebracht. ■ Kein elektrischer Kontakt zwischen Kombimotor und Akku. ■ Der Akku ist leer. ■ Der Hebel zum Entriegeln und der Auslöser werden nicht gleichzeitig gedrückt. 	<ul style="list-style-type: none"> ■ Akku in den Kombimotor einsetzen. ■ Akku abnehmen, Kontakte überprüfen und wiedereinsetzen, bis er einrastet. ■ Akku mit den in dieser Anleitung aufgeführten EGO-Ladegeräten aufladen. ■ Halten Sie den Hebel zum Entriegeln gedrückt und drücken Sie dann den Ein-/Ausschalter, um den Gestrüppschnaider einzuschalten.
Gestrüppschnaider stoppt während des Schneidens.	<ul style="list-style-type: none"> ■ Der Motor ist überlastet. ■ Akku oder Kombimotor sind zu heiß. ■ Der Akkusatz ist nicht mit dem Werkzeug verbunden. ■ Der Akkusatz ist leer. 	<ul style="list-style-type: none"> ■ Der Motor kommt wieder in Schwung, wenn die Last abgenommen wird. Für durchgehendes Arbeiten die Last des Kombimotors verringern. ■ Lassen Sie den Akku und den Kombimotor unter 67° C abkühlen. ■ Setzen Sie den Akkusatz wieder ein. ■ Akku mit den in dieser Anleitung aufgeführten EGO-Ladegeräten aufladen.

GARANTIE

EGO GEWÄHRLEISTUNGSRICHTLINIE

Bitte besuchen Sie unsere website egopowerplus.com mit den kompletten EGO Garantiebedingungen.

LISEZ TOUTES LES INSTRUCTIONS!



LIRE LE MANUEL D'UTILISATION

FR

⚠ Risques résiduels ! Les personnes portant des appareils électroniques, par exemple des stimulateurs cardiaques, doivent consulter leur(s) médecin(s) avant d'utiliser ce produit. L'utilisation d'un équipement électrique près d'un stimulateur cardiaque peut provoquer des interférences ou la panne du stimulateur cardiaque.

⚠ AVERTISSEMENT : Pour garantir la sécurité et la fiabilité, toutes les réparations et tous les changements de pièce doivent être effectués par un réparateur qualifié.

SYMBOLES DE SÉCURITÉ

L'objectif des symboles de sécurité est d'attirer votre attention sur des dangers potentiels. Les symboles de sécurité et les explications les accompagnant doivent être lus avec attention et compris. Les symboles de mise en garde ne permettent pas par eux-mêmes d'éliminer les dangers. Les consignes et mises en garde ne se substituent pas à des mesures de prévention appropriées des accidents.

⚠ AVERTISSEMENT : Avant d'utiliser cet outil, veillez à lire et à comprendre toutes les consignes de sécurité du guide d'utilisation, notamment tous les symboles d'alerte de sécurité comme « **DANGER** », « **AVERTISSEMENT** » et « **MISE EN GARDE** ». Ne pas respecter toutes les consignes listées ci-après peut provoquer un choc électrique, un incendie et/ou des blessures corporelles graves.

SIGNIFICATION DES SYMBOLES

⚠ SYMBOLE DE MISE EN GARDE DE SÉCURITÉ :

Indique un **DANGER**, un **AVERTISSEMENT** ou une **PRÉCAUTION**. Peut être utilisé en conjonction d'autres symboles ou pictogrammes.



⚠ AVERTISSEMENT : L'utilisation d'un outil électrique peut provoquer la projection d'objets étrangers dans vos yeux, ce qui peut provoquer des lésions oculaires graves. Avant de mettre un outil électrique en marche, portez toujours un masque de sécurité ou des lunettes de sécurité avec boucliers latéraux, ou un masque facial intégral quand cela est nécessaire. Nous recommandons de porter un Masque de Sécurité à Vision Panoramique par-dessus des lunettes de vue ou des lunettes de sécurité standards avec boucliers latéraux.

CONSIGNES DE SÉCURITÉ

Cette page décrit des symboles de sécurité pouvant être présents sur le produit. Lisez, comprenez et respectez toutes les instructions présentes sur l'outil avant d'essayer de l'assembler et de l'utiliser.

	Alerte de sécurité	Indique un danger potentiel de blessure corporelle.
	Lire le manuel d'utilisation	Pour réduire le risque de blessures, l'utilisateur doit lire et comprendre le manuel d'utilisation avant d'utiliser ce produit.
	Porter une protection oculaire	Toujours porter un masque de sécurité ou des lunettes de sécurité avec boucliers latéraux et un masque facial intégral lors de l'utilisation de ce produit.
	Porter une protection auditive	Le bruit généré par la débroussailleuse peut léser vos capacités auditives. Toujours porter des barrières auditives (bouchons d'oreille ou casque anti-bruit) pour protéger vos capacités auditives.
	Porter une protection de la tête.	Porter un casque de sécurité homologué pour protéger votre tête.
	Porter des gants protecteurs.	Protéger vos mains avec des gants pendant la manipulation de l'outil et de la lame. Les gants antidérapants pour travaux lourds améliorent votre préhension et protègent vos mains.
	Porter des chaussures de sécurité.	Porter des chaussures de sécurité antidérapantes pendant l'utilisation de cet équipement.
	Largeur de coupe	Largeur de coupe maximale de la débroussailleuse.

	Prendre garde au rebond de lame.	Mettre en garde l'opérateur contre le danger de rebond de lame.
	Ricochet	Des objets projetés peuvent ricocher et provoquer des blessures corporelles ou des dommages matériels.
	Maintenir les autres personnes éloignées	Toujours veiller à ce que les autres personnes et les animaux restent éloignés d'au moins 15 m de la débroussailleuse pendant son utilisation.
	Lame non ronde	Ne pas installer de lame de coupe ronde.
	Ne pas exposer à la pluie	Ne pas utiliser sous la pluie et ne pas laisser dehors quand il pleut.
	CE	Ce produit est conforme aux directives CE applicables.
	WEEE	Les déchets de produits électriques ne doit pas être jetés avec les ordures ménagères. Jetez-les dans un dans un centre de triage agréé.
	Bruit	Niveau de puissance acoustique garanti. Émission sonore dans l'environnement conforme à la directive de la communauté européenne.
V	Volt	Tension
mm	Millimètre	Longueur ou taille
cm	Centimètre	Longueur ou taille
in.	Pouce	Longueur ou taille
kg	Kilo-gramme	Poids

CONSIGNES DE SÉCURITÉ IMPORTANTES

⚠ AVERTISSEMENT : Lors de l'utilisation de taille-bordures, des précautions de sécurités élémentaires doivent toujours être respectées afin de réduire les risques d'incendie, de choc électrique et de blessure corporelle, parmi lesquelles :

LIRE ATTENTIVEMENT AVANT UTILISATION.

CONSERVER POUR CONSULTATION ULTÉRIEURE.

⚠ DANGER : Ne comptez pas uniquement sur l'isolation de l'outil pour vous protéger des chocs électriques. Pour réduire le risque d'électrocution, n'utilisez jamais l'outil à proximité de câble ou de fils (lignes électriques, etc.), car ils peuvent être parcourus par un courant électrique.

⚠ ATTENTION : Portez une protection auditive individuelle appropriée pendant l'utilisation. Dans certaines conditions et durées d'utilisation, le bruit généré par ce produit peut contribuer à une perte d'acuité auditive.

Entraînement

- Lisez attentivement le manuel d'utilisation. Familiarisez-vous avec les commandes et l'utilisation correcte de l'outil.
- Ne laissez jamais des enfants ou des personnes non familiarisées avec les présentes instructions utiliser l'outil. Les réglementations locales peuvent définir un âge minimal pour l'opérateur.
- Gardez à l'esprit que l'utilisateur ou l'opérateur est responsable des accidents ou dangers causés à autrui ou à la propriété d'autrui.

Préparation

- N'utilisez jamais l'outil si des personnes, notamment des enfants, ou des animaux de compagnies sont à proximité.
- Portez en permanence des protections oculaires et des chaussures robustes pendant l'utilisation de l'outil.
- La distance entre l'outil et les autres personnes doit être de 15 m au minimum.

Utilisation

- Utilisez l'outil exclusivement à la lumière du jour ou sous une lumière artificielle suffisante.
- N'utilisez jamais l'outil si ses boucliers/dispositifs de protection ne sont pas assemblés ou sont endommagés.
- Mettez le moteur en marche uniquement quand vos mains et pieds sont éloignés des accessoires de coupe.

FR

- Débranchez toujours l'outil de l'alimentation électrique (c.-à-d. débranchez sa fiche de la prise électrique ou enlevez le dispositif coupe-circuit)
 - Chaque fois que vous laissez l'outil sans surveillance.
 - Avant d'éliminer un bouchage.
 - Avant d'inspecter, de nettoyer ou de travailler sur l'outil.
 - Après avoir percuté un objet étranger.
 - Si l'outil se met à vibrer anormalement.
- Prenez garde à ce que vos pieds et vos mains ne soient pas blessés par les pièces de coupe.
- Veillez à ce que les ouïes de ventilation ne soient jamais bouchées par des débris.
- **Utilisez l'outil approprié** – N'utilisez pas l'outil à un travail autre que celui pour lequel il a été conçu.
- **Ne forcez pas la débroussailleuse** - L'outil effectuera un travail de meilleure qualité avec un risque de blessure moindre s'il est utilisé au rythme pour lequel il a été conçu.
- **Soyez toujours sur vos gardes** – Regardez ce que vous êtes en train de faire. Faites preuve de bon sens. N'utilisez pas l'outil quand vous êtes fatigué.
- **N'utilisez pas la débroussailleuse quand vous êtes sous l'influence de l'alcool ou de stupéfiants.**
- **Les dispositifs de protection doivent toujours être assemblés et en bon état de marche.**
- **Maintenez vos mains et vos pieds éloignés de la zone de coupe.**

Entretien et stockage

- Débranchez l'outil de l'alimentation électrique (c'est-à-dire débranchez sa fiche de la prise électrique ou retirez le dispositif coupe-circuit) avant d'effectuer une opération d'entretien ou de nettoyage.
- Utilisez exclusivement les pièces et accessoires de rechange recommandés par le fabricant.
- Inspectez et entretenez l'outil régulièrement. Faites réparer l'outil exclusivement par un réparateur agréé.
- Rangez l'outil hors de portée des enfants quand vous ne l'utilisez pas.
- **Rangez la débroussailleuse en intérieur** - Quand la débroussailleuse n'est pas utilisée, elle doit être rangée en intérieur dans un endroit sec et haut ou verrouillé avec la batterie retirée, hors de portée des enfants.
- **Entretenez la débroussailleuse avec soin** - Maintenez l'accessoire de coupe propre pour optimiser les performances et réduire le risque de blessures. Respectez les instructions de changement des accessoires. Maintenez les poignées propres, sèches et exemptes d'huile et de graisse.
- **Inspectez les pièces endommagées** - Avant toute utilisation supplémentaire de la débroussailleuse, tout dispositif de protection ou toute autre pièce endommagée doit être minutieusement inspecté pour déterminer s'il fonctionnera normalement et pourra remplir la fonction pour laquelle il est prévu. Contrôlez l'outil pour vérifier qu'aucune pièce mobile n'est coincée ou mal alignée, qu'aucune pièce n'est cassée, et pour tout autre problème pouvant nuire à son fonctionnement. Si une protection ou une autre pièce est endommagée, elle doit être correctement réparée ou remplacée par un centre de maintenance agréé, sauf indication contraire dans ce manuel d'utilisation.

Consignes de sécurité complémentaires

- **Maintenez les enfants éloignés** - Tous les visiteurs doivent rester éloignés d'au moins 15 m de la zone de travail.
- **Évitez les environnements dangereux** – N'utilisez pas les taille-bordures dans les endroits mouillés et détrempés.
- **Éteignez toujours la débroussailleuse et retirez toujours la batterie avant de laisser l'outil sans surveillance.**
- **N'utilisez pas l'outil sous la pluie.**
- **Soyez correctement vêtu** – Ne portez pas de vêtement ample ni de bijou. Ils peuvent se prendre dans les pièces mobiles. Il est recommandé de porter des chaussures solides et des gants en caoutchouc lorsque le travail est effectué en extérieur. Portez un couvre-chef protecteur pour maintenir les cheveux longs.
- **Portez des lunettes de sécurité** – Utilisez toujours un masque antipoussière ou un masque facial si le travail génère des poussières.
- **Vérifiez que toutes les fixations sont en place et serrées. Vérifiez que le capot de protection de l'accessoire de coupe est correctement assemblé et dans la position recommandée par le fabricant.**
- **Nettoyez la zone à couper avant chaque utilisation.** Retirez tous les objets pouvant s'em mêler dans l'accessoire de coupe ou être projetés, par exemple les pierres, les morceaux de verre, les clous, les fils métalliques ou les ficelles. Faites partir toutes les autres personnes, tous les enfants et tous les animaux de l'aire de travail. Au minimum, veillez à ce que les enfants, les autres personnes et les animaux restent éloignés dans un rayon de 15 m ; au-delà de 15 m

de la zone, il y a toujours un risque de blessures par des objets projetés. Il faut insister pour que les autres personnes portent une protection oculaire.

- **Portez toujours fermement la débroussailleuse avec les deux mains sur ses poignées pendant l'utilisation. Enroulez vos doigts et vos pouces autour des poignées.**
- **Évitez les démarrages accidentels** - Ne portez pas la débroussailleuse avec le doigt sur son interrupteur marche/arrêt.
- **N'utilisez pas la débroussailleuse dans des atmosphères explosives ou gazeuses.** Les moteurs de ces outils produisent normalement des étincelles et les étincelles peuvent enflammer les vapeurs.
- **Détérioration de la débroussailleuse** - Si vous percutez un objet étranger avec la débroussailleuse ou s'il s'emêle dedans, éteignez l'outil immédiatement, vérifiez s'il est endommagé et faites réparer toute détérioration avant d'essayer de réutiliser l'outil. N'utilisez pas l'outil avec un capot de protection ou une lame cassé.
- **Si l'outil se met à vibrer anormalement, éteignez immédiatement le moteur et inspectez l'outil pour en trouver la cause.** Les vibrations indiquent généralement qu'il y a un problème. Une lame desserrée peut vibrer, se fissurer, casser ou se désolidariser de la débroussailleuse, ce qui peut provoquer des blessures graves ou mortelles. Vérifiez que l'accessoire de coupe est correctement installé et solidement fixé. Si la lame se desserre après avoir été fixée en position, remplacez-la immédiatement. N'utilisez jamais la débroussailleuse avec un accessoire de coupe mal fixé.
- **Pour réduire le risque de blessures dues à la perte de contrôle de l'outil, ne travaillez jamais sur une échelle ni sur aucun autre support non sûr. Ne positionnez jamais l'accessoire de coupe plus haut que votre taille.**
- **Ayez toujours un bon équilibre et des appuis des pieds solides.** N'essayez pas de travailler des endroits difficiles à atteindre. Maintenez l'accessoire de coupe plus bas que votre taille. Maintenez toutes les parties de votre corps éloignées de l'accessoire de coupe en rotation.
- Remplacez immédiatement une lame fissurée, endommagée ou usée, même si la détérioration se limite à des fissures superficielles. De tels accessoires peuvent éclater à haute vitesse et provoquer des blessures graves ou mortelles.
- Inspectez l'accessoire de coupe à intervalles courts et réguliers pendant l'utilisation ou immédiatement si vous constatez un changement notable dans son comportement de coupe.

- **Si une personne s'approche de vous, éteignez immédiatement le moteur et l'accessoire de coupe. Pour les outils avec lame, il y a un risque de blessures supplémentaires pour les autres personnes si elles sont percutées par la lame en mouvement en cas de rebond de la lame ou d'autres réactions inattendues de la lame.**
- **Mettre en garde l'opérateur contre le danger de rebond de lame.**
 - Un rebond de lame peut se produire si la lame en rotation entre en contact avec un objet qu'elle ne coupe pas immédiatement.
 - Le rebond de lame peut être suffisamment violent pour projeter l'outil et/ou l'opérateur dans n'importe quelle direction et provoquer la perte de contrôle de l'outil.
 - Le rebond de lame peut se produire sans avertissement si la lame se coince, se bloque ou s'accroche.
 - Un rebond de lame a une plus forte probabilité de se produire dans les endroits où il est difficile de voir le matériau en train d'être coupé.
- **N'assemblez jamais une lame sur un outil sans correctement installer toutes les pièces requises. Ne pas utiliser les pièces appropriées peut provoquer la désolidarisation et la projection de la lame, et des blessures graves chez l'opérateur et/ou d'autres personnes. Jetez les lames tordues, voilées, fissurées, cassées ou endommagées d'une autre manière. Utilisez une lame affûtée. Une lame émoussée risque davantage d'accrocher et de provoquer un rebond.**
- **Une lame en roue libre peut provoquer des blessures alors qu'elle reste en rotation après que vous ayez relâché l'interrupteur marche/arrêt ou après l'arrêt du moteur. Maintenez un contrôle approprié jusqu'à ce que la lame se soit complètement arrêtée de tourner.**
- **Ne rechargez pas la batterie sous la pluie ni dans les endroits mouillés.**
- Utilisez exclusivement les batteries et les chargeurs listés ci-dessous :

BATTERIE	CHARGEUR
BA1120E, BA2240E, BA2800	CH2100E CH5500E

- **La batterie doit être retirée de l'outil avant la mise au rebut.**

- **Ne jetez pas la batterie dans un feu pour vous en débarrasser.** Les batteries/accumulateurs peuvent exploser. Consultez les réglementations locales pour savoir si elles comportent des dispositions spéciales de mise au rebut.
- **N'ouvrez pas la batterie et ne la modifiez pas.** L'électrolyte sortant des batteries est corrosif et peut blesser les yeux et la peau. Il peut être toxique s'il est avalé.
- **Faites attention lors de la manipulation des batteries pour éviter de les court-circuiter avec des matériaux conducteurs, par exemple des bagues, des bracelets ou des clés.** La batterie ou le conducteur peut surchauffer et provoquer des brûlures.
- **Pièces de Rechange** - L'outil ne doit être réparé qu'avec des pièces de rechange EGO identiques. L'utilisation de tout autre accessoire peut accroître le risque de blessure.
- **Les outils alimentés par batterie n'ont pas à être branchés dans une prise électrique, ils sont donc toujours prêts à fonctionner.** Prenez garde aux dangers potentiels même quand l'outil n'est pas en fonctionnement. Faites attention pendant l'entretien ou la réparation.
- **Retirez ou débranchez la batterie avant toute opération de réparation, de nettoyage ou de retrait de matière de la débroussailleuse.**
- **Ne lavez pas l'outil avec un tuyau. Veillez à ce que de l'eau ne pénètre pas dans le moteur ni sur les connexions électriques.**
- **Si des situations non couvertes par ce manuel se produisent, faites preuve de prudence et de bon sens. Contactez le centre de réparation EGO pour lui demander conseil.**
- **Conservez ce manuel d'utilisation.** Consultez-le fréquemment et servez-vous-en pour instruire les autres personnes devant utiliser cet outil. Si vous prêtez cet outil à un tiers, prêtez-lui également ce manuel d'utilisation pour éviter l'utilisation incorrecte du produit et des blessures potentielles.

REMARQUE : CONSULTEZ LES CONSIGNES DE SÉCURITÉ SPÉCIFIQUES ADDITIONNELLES DANS LE MANUEL D'UTILISATION DE VOTRE TÊTE ALIMENTÉE.

SPÉCIFICATIONS

Largeur de coupe	30 cm	
Régime à vide	5000/6000 min ⁻¹	
Poids	1,82 kg	
Niveau de puissance acoustique mesuré L _{WA}	96,5 dB(A) K=1,88 dB(A)	
Niveau de pression acoustique au niveau des oreilles de l'opérateur L _{PA}	84,5 dB(A) K=3 dB(A)	
Niveau de puissance acoustique garanti L _{WA} (conformément à la norme 2000/14/CE)	98 dB(A)	
Vibration a _h	Poignée auxiliaire avant	2,8 m/s ² k=1,6 m/s ²
	Poignée arrière	3,1 m/s ² k=1,6 m/s ²

- Les paramètres ci-dessus ont été testés et mesurés avec la tête alimentée PH1400E.
- La valeur totale des vibrations indiquée a été mesurée selon une procédure conforme à une méthode de test standardisée et peut servir pour comparer différents outils.
- La valeur totale des vibrations indiquée peut également servir pour effectuer une première évaluation de l'exposition.

REMARQUE : L'émission de vibrations pendant l'utilisation réelle de l'outil électrique est fonction de la manière dont il est utilisé et peut différer de la valeur indiquée. Pour se protéger, l'opérateur doit porter des gants et un casque antibruit dans les conditions actuelles d'utilisation.

Lame Recommandée

NOM DE PIÈCE	NUMÉRO DE MODÈLE
Lame de Débroussailleuse	ABB1203

CONTENU DE L'EMBALLAGE

NOM DE PIÈCE	QUANTITÉ
Accessoire pour Débroussailleuse	1
Set Lame et Protège-lame	1
Capot de protection	1
Capot additionnel (usage EXCLUSIVE-MENT avec le coupe-herbe)	1
Clé 6 pans	1
Clé Multifonction	1
Manuel d'utilisation	1

DESCRIPTION

DESCRIPTION DE VOTRE ACCESSOIRE POUR DÉBROUSSAILLEUSE (Image A)

1. Capuchon d'extrémité
2. Manche de débroussailleuse
3. Capot de protection
4. Lame
5. Protège-lame
6. Tige de serrage
7. Vis d'étanchéité
8. Boîtier d'engrenage
9. Trou de blocage de la broche
10. Bride externe
11. Clé Multifonction
12. Clé six pans
13. Capot additionnel (usage EXCLUSIVEMENT avec le coupe-herbe)

⚠ AVERTISSEMENT : N'utilisez jamais l'outil sans son capot de protection solidement assemblé. Le capot de protection doit toujours être assemblé sur l'outil pour protéger l'utilisateur.

⚠ AVERTISSEMENT : Quand l'outil est utilisé comme coupe-herbe équipé d'une tête de coupe, le capot additionnel doit être assemblé sur le capot de protection. Ne pas respecter cette exigence peut entraîner une longueur excessive du fil de coupe et mettre le moteur en surcharge.

ASSEMBLAGE

⚠ AVERTISSEMENT : Si une pièce est manquante ou endommagée, n'utilisez pas cet outil tant qu'elle n'a pas été remplacée. Utiliser cet outil avec des pièces endommagées ou manquantes peut provoquer des blessures corporelles graves.

⚠ AVERTISSEMENT : N'essayez jamais de modifier l'outil ni de créer des accessoires non recommandés pour être utilisés avec ce taille-bordure. De tels modifications et changements constituent une utilisation impropre et peuvent engendrer des situations dangereuses

⚠ AVERTISSEMENT : Portez toujours des gants épais pendant l'assemblage et le démontage de la lame ou du capot de protection, et pendant toutes les opérations de maintenance de la lame. Prenez garde à la lame et protégez vos mains des blessures dues à la lame.

⚠ AVERTISSEMENT : Ne branchez pas la tête alimentée dans une alimentation électrique tant que l'assemblage n'est pas terminé. Ne pas respecter cette exigence peut provoquer un démarrage accidentel et des blessures corporelles graves.

REMARQUE : L'ordre d'assemblage correct de l'accessoire pour débroussailleuse est le suivant : capot de protection en premier, puis la lame, et enfin assemblage sur la tête alimentée.

⚠ AVERTISSEMENT : N'utilisez jamais l'outil sans le capot de protection et la poignée auxiliaire avant avec barre bouclier solidement assemblés. Ne pas respecter cette exigence peut provoquer des blessures corporelles graves.

ASSEMBLER LE CAPOT DE PROTECTION

1. Soulevez la tête de la débroussailleuse et dirigez-la vers le bas. Alignez les deux trous d'assemblage du capot de protection avec les deux vis préassemblées sur la plaque de fixation. Veillez à ce que la surface interne du capot de protection soit dirigée vers la tête de la débroussailleuse (Image C).
2. Fixez le capot de protection avec les vis et la clé 6 pans fournie (Image D).

ASSEMBLER LA LAME

1. La lame est fournie avec un protège-lame. Avant d'assembler la lame sur la débroussailleuse, le protège-lame doit être retiré en défilant la tige de serrage du crochet du protège-lame (Image E).

Images E Description des pièces, voir ci-dessous :

E-1	Crochet
E-2	Tige de serrage

2. Tournez la bride externe pour aligner la rainure de la bride interne avec le trou de blocage de la broche du boîtier d'engrenage (Image F).

3. Insérez la clé six pans fournie dans les trous alignés pour bloquer les pièces (Image G).

Images F et G Description des pièces, voir ci-dessous :

F-1	Boîtier d'engrenage	F-3	Bride externe
F-2	Trous de blocage de la broche alignés	G-1	Stabilisateur

4. Positionnez la tête de débroussailluse contre une surface solide servant de support. Tenez l'axe de la débroussailluse d'une main et, de l'autre main, desserrez l'écrou avec la clé multifonction fournie dans le sens de la flèche marquée sur la bride externe, puis retirez l'écrou et la bride externe. Conservez-les pour le réassemblage (Image H).
5. Insérez la lame sur la broche du moteur en veillant à ce que la surface de la lame soit au ras de la surface du renflement de la bride interne. Puis assemblez la bride externe et l'écrou (Image I). Serrez l'écrou dans le **SENS ANTIHORAIRE** à la main.

Images I Description des pièces, voir ci-dessous :

I-1	Renflement de la bride interne	I-4	Bride externe
I-2	Broche du moteur	I-5	Lame
I-3	Écrou		

6. Tournez la bride externe pour aligner la rainure de la bride interne avec le trou de blocage de la broche du boîtier d'engrenage et insérez la clé six pans fournie dans les trous alignés pour bloquer les pièces comme montré sur les étapes précédentes 2 et 3.
7. Positionnez la tête de débroussailluse contre une surface solide servant de support. Tenez la lame d'une main et, de l'autre main, serrez l'écrou avec la clé multifonction fournie dans le sens contraire de la flèche marquée sur la bride externe (Image J).

Utiliser le capot additionnel

REMARQUE : Quand l'outil est utilisé comme coupe-herbe avec une tête de coupe, le capot additionnel doit être assemblé sur le capot de protection (Image K).

Fixez le capot additionnel sur le capot de protection en serrant les trois vis avec la clé six pans fournie. Ne pas respecter cette exigence peut entraîner une longueur excessive du fil de coupe et mettre le moteur en surcharge.

ASSEMBLER L'ACCESSOIRE POUR DÉBROUSSAILLEUSE SUR LA TÊTE ALIMENTÉE

Cet accessoire pour débroussailluse est conçu pour être utilisé avec la tête alimentée EGO PH1400E.

Consultez le chapitre « **ASSEMBLER UN ACCESSOIRE SUR LA TÊTE ALIMENTÉE** » du manuel d'utilisation de la tête alimentée PH1400E.

UTILISATION

AVERTISSEMENT : Veillez à ne pas devenir moins prudent au fur et à mesure que vous vous familiarisez avec cet outil. Gardez à l'esprit qu'une seconde d'inattention peut suffire pour provoquer des blessures graves.

AVERTISSEMENT : Portez toujours une protection oculaire avec boucliers latéraux. Et portez toujours une protection auditive. Sans ce type de protection, des objets peuvent être projetés dans vos yeux et d'autres blessures graves peuvent se produire.

APPLICATIONS

Vous pouvez utiliser ce produit aux finalités suivantes :

- Couper les herbes enchevêtrées, les mauvaises herbes, la végétation sauvage et les broussailles, et éclaircir les jeunes arbustes ayant une tige d'un diamètre maximal de 2 cm.

REMARQUE : L'outil ne doit être utilisé qu'à sa finalité prévue. Tout autre usage est considéré impropre.

UTILISER LA DÉBROUSSAILLEUSE AVEC LA TÊTE ALIMENTÉE

AVERTISSEMENT : Quand vous utilisez cet outil, portez une tenue appropriée pour réduire le risque de blessures. Ne portez pas de vêtement ample ni de bijou. Porter des protections oculaires et auditives. Portez un pantalon long et épais, des chaussures montantes et des gants. Ne portez pas de shorts ni de sandales et ne soyez pas pieds nus.

Pour un usage sûr et meilleur, placez la sangle d'épaule en travers de vos épaules. Réglez la sangle d'épaule dans une position d'utilisation confortable. Tenez toujours la débroussailluse avec une main sur la poignée arrière et l'autre main sur la poignée auxiliaire avant. Tenez toujours fermement l'outil à deux mains pendant l'utilisation. La débroussailluse doit être tenue dans une position confortable avec sa poignée arrière à peu près à la hauteur de la hanche de l'opérateur. Tenez en permanence fermement l'outil et maintenez un excellent équilibre sur vos deux pieds. Positionnez-vous en sorte de ne pas être déséquilibré en cas de rebond de la lame (Image B).

⚠ AVERTISSEMENT : La sangle d'épaule est aussi un mécanisme de retrait rapide en cas de situation dangereuse. En cas d'urgence, retirez-la immédiatement de votre épaule, quelle que soit la manière dont elle est portée.

Pour couper la végétation sauvage et les broussailles, abaissez la lame rotative vers le bas sur la végétation pour créer un effet de hachage. Utilisez la débroussailleuse comme une faux (balancez-la à droite et à gauche) au niveau du sol. N'utilisez pas l'accessoire de coupe plus haut que votre taille.

⚠ AVERTISSEMENT : Plus l'accessoire de coupe est haut par rapport au sol, plus il y a de risques de blessures dues aux projections latérales de végétaux coupés.

⚠ AVERTISSEMENT : Lors de la coupe de jeunes arbustes ou d'autres matériaux en bois d'un diamètre allant jusqu'à 2 cm, utilisez le côté gauche de la lame pour éviter des rebonds de lame. N'essayez pas de couper des matériaux en bois d'un diamètre supérieur, car la lame risque de s'accrocher ou de renvoyer les végétaux coupés vers l'avant. Cela peut provoquer la détérioration de la lame ou de la débroussailleuse, vous en faire perdre le contrôle et provoquer des blessures corporelles.

⚠ AVERTISSEMENT : L'usage impropre d'une lame de débroussailleuse peut la fissurer, l'ébrécher ou la faire éclater.

Les morceaux projetés peuvent gravement blesser l'opérateur ou les autres personnes. Pour réduire le risque de blessures corporelles, il est essentiel de prendre les précautions suivantes :

- Évitez le contact avec des objets étrangers durs ou rigides, par exemple des pierres, des cailloux ou des morceaux de métal.
- Ne coupez jamais d'arbustes ou de broussailles dont le diamètre est supérieur à 2 cm.
- Inspectez la lame à intervalles courts et réguliers pour vérifier qu'elle n'est pas endommagée. Ne continuez pas à travailler avec une lame endommagée.
- Réaffûtez la lame régulièrement (quand elle est visiblement émoussée) et faites-la équilibrer si nécessaire (cela doit être fait par un réparateur qualifié).

REBOND DE LAME

Faites extrêmement attention lors de l'utilisation de la lame avec cet outil. Le rebond de lame est une réaction pouvant se produire quand la lame en rotation entre en contact avec quelque chose qu'elle ne peut pas couper. Ce contact peut stopper la lame instantanément et brusquement projeter l'outil loin de l'objet touché. Cette réaction peut être suffisamment violente pour faire perdre le contrôle de l'outil à l'opérateur. Un rebond de lame peut se produire sans avertissement si la lame se coince, se bloque ou s'accroche. Cela a une plus forte probabilité de se produire dans les endroits où il est difficile de voir le matériau en train d'être coupé. Pour couper facilement et de manière sûre, approchez des végétaux à couper avec la débroussailleuse de droite à gauche. En cas de contact avec des végétaux épais ou des objets imprévus, cette méthode permet normalement de minimiser le rebond de lame.

Avant chaque utilisation, inspectez l'outil pour vérifier qu'aucune de ses pièces n'est endommagée/usée.

Inspectez la lame, le capot de protection et la poignée auxiliaire avant, et remplacez toutes les pièces fissurées, voilées, tordues ou présentant une autre détérioration.

Le bord de la lame s'émousse avec le temps. Il est recommandé de retourner la lame pour prolonger sa durée de vie et de la réaffûter régulièrement (cela doit être fait par un réparateur qualifié) ou de la remplacer par une lame neuve si nécessaire.

Nettoyez la débroussailleuse après chaque utilisation.

Consultez le chapitre **ENTRETIEN** pour connaître les instructions de nettoyage.

⚠ AVERTISSEMENT : Vérifiez que la lame s'est complètement arrêtée avant de nettoyer ou d'entretenir la débroussailleuse. Ne pas respecter cette exigence peut provoquer des blessures corporelles graves.

ALLUMER/ÉTEINDRE L'OUTIL

Consultez le chapitre « **ALLUMER/ÉTEINDRE LA TÊTE ALIMENTÉE** » du manuel d'utilisation de la tête alimentée PH1400E.

ENTRETIEN

⚠ AVERTISSEMENT : Avant d'inspecter, de nettoyer ou de réparer l'outil, éteignez le moteur, attendez que toutes les pièces mobiles se soient arrêtées et retirez la batterie. Ne pas respecter ces instructions peut provoquer des blessures corporelles graves et des dommages matériels.

⚠ AVERTISSEMENT : L'outil ne doit être réparé qu'avec des pièces de rechange identique. L'utilisation de toute autre pièce peut créer un danger ou détériorer l'outil. Pour garantir la sécurité et la fiabilité, toutes les réparations doivent être effectuées par un réparateur qualifié.

⚠ AVERTISSEMENT : Portez toujours des gants épais pendant l'assemblage et le démontage de la lame, et pendant toutes les opérations de maintenance de la lame. Prenez garde à la lame et protégez vos mains des blessures dues à la lame.

ENTRETIEN GÉNÉRAL

N'utilisez pas de solvant pour nettoyer les pièces en plastique. La plupart des plastiques peuvent être détériorés par de nombreux solvants différents vendus dans le commerce. Utilisez des chiffons propres pour enlever les saletés, les poussières, l'huile, la graisse, etc.

NETTOYER L'OUTIL

- Retirez la batterie.
- Après chaque utilisation, enlevez les débris, la terre et les herbes accumulées sur la lame et le capot de protection avec une brosse douce.
- Essuyez la surface de l'outil avec un chiffon propre humidifié d'une solution de savon doux.
- Avec une petite brosse ou un petit aspirateur, nettoyez les ouïes de ventilation du boîtier arrière.
- Veillez à ce que les ouïes de ventilation restent exemptes d'obstruction.

Quand la lame est émoussée, les deux bords de la lame sont émoussés, faites-la affûter par un réparateur qualifié ou remplacez-la par une lame neuve si nécessaire.

CHANGER LA LAME

⚠ AVERTISSEMENT : Une lame usée, fissurée ou endommagée peut se briser et les morceaux de la lame peuvent devenir des projectiles dangereux. Les objets projetés peuvent provoquer des blessures graves. Inspectez régulièrement la lame et n'utilisez pas la débroussailleuse avec une lame usée ou endommagée.

⚠ AVERTISSEMENT : Portez une protection oculaire appropriée lors du démontage, de l'affûtage et de l'assemblage de la lame.

Démonter la lame

1. Retirez la batterie.
2. Tournez la bride externe pour aligner la rainure de la bride interne avec le trou de blocage de la bride du boîtier d'engrenage et insérez la clé six pans fournie dans les trous alignés pour bloquer les pièces comme montré sur les étapes précédentes 2 et 3 du chapitre « **ASSEMBLER LA LAME** ».
3. Positionnez la tête de débroussailleuse contre une surface solide servant de support. Tenez la lame d'une main et, de l'autre main, desserrez l'écrou avec la clé multifonction fournie dans le sens de la flèche marquée sur la bride externe, puis retirez l'écrou, la bride externe et la lame usée (Image L).
4. Inspectez et remplacez la bride interne et la rondelle de bride pour vérifier qu'ils ne sont pas endommagés (Image M).

Image M Description des pièces, voir ci-dessous :

M-1	Broche du moteur	M-5	Bride externe
M-2	Bride interne	M-6	Écrou
M-3	Rondelle de bride	M-7	Rainure de bride
M-4	Lame		

5. Assemblez une lame neuve sur la broche du moteur dans l'ordre montré sur l'image M. Pour plus de détails, lisez les instructions des étapes 5, 6 et 7 du chapitre « **ASSEMBLER LA LAME** ».

LUBRIFICATION DES ENGRENAGES DE TRANSMISSION

Les engrenages de transmission dans le boîtier d'engrenage doivent être lubrifiés régulièrement avec de la graisse à engrenage. Contrôlez le niveau de graisse dans le boîtier d'engrenage toutes les 50 h d'utilisation en retirant la vis d'étanchéité sur le côté du boîtier.

Si vous ne voyez pas de graisse sur les flancs des engrenages, procédez comme suit pour remplir le boîtier de graisse jusqu'au 3/4 de sa capacité.

Ne remplissez pas complètement les engrenages de transmission.

1. Positionnez la débroussailleuse en sorte que la vis d'étanchéité soit dirigée vers le haut (Image N).
2. Utilisez la clé multifonction fournie pour desserrer et retirer la vis d'étanchéité.
3. Avec une seringue à graisse (non fournie), injectez un peu de graisse dans le trou de vis.
4. Revissez complètement la vis d'étanchéité après l'injection.

RANGER L'OUTIL

- Retirez la batterie de l'outil.
- Portez des gants épais pour nettoyer intégralement l'outil.
- Insérez le protège-lame sur la lame pour la protéger (Image 0).
- Retirez l'accessoire pour débroussailleuse de la tête alimentée et insérez le capuchon d'extrémité sur le bout du manche de l'accessoire, si nécessaire.
- Rangez l'outil dans un endroit sec, bien aéré, fermé à clé ou en hauteur, et hors de portée des enfants. Ne rangez pas l'outil sur ou à côté d'engrais, d'essence ou d'autres substances chimiques.

Protection de l'environnement



Ne jetez pas les équipements électriques, les chargeurs de batterie, les batteries rechargeables et les piles avec les ordures ménagères !

Conformément à la directive européenne 2012/19/UE, les équipements électriques et électroniques qui ne sont plus utilisables, et conformément à la directive européenne 2006/66/CE, les batteries rechargeables et les piles usagées ou défectueuses doivent être collectés séparément.

Si les appareils électriques sont jetés dans des décharges ou des dépôts d'ordures, des substances dangereuses peuvent s'infiltrer jusque dans la nappe phréatique et entrer dans la chaîne alimentaire, avec un effet néfaste sur votre santé et votre bien-être.

DÉCLARATION DE CONFORMITÉ CE



Nous, EGO EUROPE GMBH

Wahlwiesenstrasse 1, D-71711 Steinheim an der Murr
Deutschland

Déclarons que le produit **accessoire pour débroussailleuse sans fil lithium-ion 56 V BCA1200** équipé de la tête alimentée PH1400E.

Satisfait aux exigences de santé et de sécurité essentielles des directives suivantes :

2006/42/CE, 2014/30/UE, 2011/65/UE, 2000/14/CE

Normes et spécifications techniques de référence :

EN ISO 11806-1, EN 60745-1, EN 55014-1, EN 55014-2

Niveau de puissance acoustique mesuré : 96,5 dB(A).

Niveau de puissance acoustique garanti : 98 dB(A).

FR

Peter Melrose
Directeur général de
EGO Europe GmbH

Dong Jianxun
Directeur Qualité de
Chervon

* (Représentant autorisé par CHERVON et responsable de la documentation technique)

01/12/2016

DÉPANNAGE

FR

PROBLÈME	CAUSE	SOLUTION
La débroussailleuse ne démarre pas.	<ul style="list-style-type: none"> ■ La batterie n'est pas insérée sur la tête alimentée. ■ Il n'y a pas de contact électrique entre la tête alimentée et la batterie. ■ La batterie est déchargée. ■ Le levier de déverrouillage et l'interrupteur-gâchette ne sont pas tous les deux appuyés. 	<ul style="list-style-type: none"> ■ Insérez la batterie sur la tête alimentée. ■ Retirez la batterie, contrôlez les contacts, puis réinsérez la batterie jusqu'à ce qu'elle s'encastre. ■ Rechargez la batterie avec les chargeurs EGO listés dans ce manuel d'utilisation. ■ Appuyez sur le levier de déverrouillage et maintenez-le appuyé, puis appuyez sur l'interrupteur-gâchette pour allumer la débroussailleuse.
La débroussailleuse s'arrête pendant la coupe.	<ul style="list-style-type: none"> ■ Le moteur est en surcharge. ■ La batterie ou la tête alimentée est trop chaude. ■ La batterie est déconnectée de l'outil. ■ La batterie est déchargée. 	<ul style="list-style-type: none"> ■ Le moteur pourra redémarrer quand la charge aura été retirée. Pour un usage continu, réduisez la charge sur la tête alimentée. ■ Laissez la batterie ou la tête alimentée refroidir jusqu'à ce que sa température baisse sous 67 °C (152 °F). ■ Réinstallez la batterie. ■ Rechargez la batterie avec les chargeurs EGO listés dans ce manuel d'utilisation.

GARANTIE

POLITIQUE DE GARANTIE EGO

Veuillez consulter le site egopowerplus.com pour trouver l'ensemble des modalités et conditions de la politique de garantie EGO

¡LEA TODAS LAS INSTRUCCIONES!



LEER EL MANUAL DEL USUARIO

⚠ ¡Riesgo residual! Aquellas personas con implantes electrónicos, tales como marcapasos, deberán consultar a su médico antes de utilizar este producto. La utilización de equipos eléctricos a proximidad de un marcapasos podría causar en este interferencias o averías.

⚠ ADVERTENCIA: Para garantizar la seguridad y fiabilidad de la herramienta, confíe cualquier reparación y sustitución de piezas que sea necesaria a personal técnico cualificado.

SÍMBOLOS RELACIONADOS CON LA SEGURIDAD

El propósito de los símbolos de seguridad es el de atraer su atención hacia los posibles peligros que conlleva la utilización del producto. Los símbolos de seguridad y las explicaciones que los acompañan requieren su máxima atención y comprensión. Por sí solos, los símbolos de advertencia no eliminan los posibles peligros que pudieran existir. Las instrucciones y advertencias que aquí se incluyen no son sustitutas en modo alguno de las medidas de prevención adecuadas que deben tomarse para evitar posibles accidentes.

⚠ ADVERTENCIA: Antes de utilizar esta herramienta, asegúrese de haber leído y entendido perfectamente todas las instrucciones incluidas en este Manual del usuario, incluidos todos los símbolos de aviso sobre seguridad, tales como **PELIGRO**, **ADVERTENCIA** y **PRECAUCIÓN**. De no observarse todas las instrucciones proporcionadas a continuación podría existir un riesgo de incendio, electrocución, así como de lesiones físicas graves.

SIGNIFICADO DE LOS DISTINTOS SÍMBOLOS

⚠ SÍMBOLO DE AVISO DE SEGURIDAD: señala algún tipo de **PELIGRO**, **ADVERTENCIA** o **PRECAUCIÓN** a tener en cuenta. Este símbolo podrá utilizarse de manera conjunta con otros símbolos o pictogramas.



⚠ ADVERTENCIA: Es posible que, cuando se utilizan herramientas eléctricas, salgan despedidos objetos que podrían causar lesiones oculares severas si no se utiliza equipo de protección personal adecuado. Antes de empezar a usar herramientas eléctricas, póngase siempre gafas de seguridad, gafas con cristales anti-impacto que cuenten con pantallas de protección lateral, o bien una máscara facial que proteja completamente la cara. Recomendamos la utilización de máscaras de seguridad de amplia visión que pueden utilizarse encima de gafas graduadas, o bien gafas normales de seguridad equipadas con pantallas laterales.

ES

INSTRUCCIONES RELACIONADAS CON LA SEGURIDAD

Esta página muestra y describe los símbolos de seguridad que puede haber en este producto. Asegúrese de leer, entender perfectamente y observar todas las instrucciones estampadas o proporcionadas con el producto antes de proceder a su montaje y utilización.

	Aviso de seguridad	Indica un peligro potencial de lesiones personales.
	Leer el Manual del usuario	Para reducir en lo posible el riesgo de lesiones, será necesario leer y entender perfectamente el Manual del usuario antes de proceder a utilizar este producto.
	Utilizar protección ocular	Utilice siempre utilice gafas de seguridad, gafas con cristales anti-impacto que cuenten con pantallas de protección lateral, o bien una máscara facial que proteja completamente la cara cuando se sirva de este producto.
	Utilizar protección auditiva	El ruido de la sierra telescópica podría dañar sus oídos. Utilice siempre protección contra el ruido (tapones para los oídos u orejeras) para proteger sus oídos.

	Utilizar protección para la cabeza	Lleve puesto casco de seguridad para protegerse la cabeza de posibles impactos.
	Utilizar guantes de protección	Utilice guantes para proteger sus manos a la hora de manipular la motosierra o la cadena. Utilice guantes resistentes y antideslizantes que mejoran el agarre y le protegen las manos.
	Utilizar calzado de seguridad	Lleve calzado de seguridad antideslizante siempre que utilice este equipo.
	Anchura de corte	La anchura de corte máxima de la desbrozadora
	Tener cuidado con el contragolpe de las cuchillas	Advierta al usuario del peligro de contragolpe de las cuchillas.
	Rebote	Los objetos lanzados pueden rebotar y provocar lesiones personales o daños materiales.
	Mantener a terceros apartados de la zona donde se esté utilizando la herramienta	Asegúrese de que las personas y los animales domésticos se mantengan a una distancia mínima de 15 m cuando se esté usando la desbrozadora.
	No usar cuchillas redondas	No instale cuchillas redondas.
	No exponga la herramienta a la lluvia	No utilice la herramienta bajo la lluvia ni la deje a la intemperie cuando esté lloviendo.

	CE	Este producto está en conformidad con las directivas de la CE aplicables.
	RAEE	Los residuos eléctricos no deberán ser desechados con el resto de la basura doméstica. Llévelos a un punto limpio autorizado.
	Ruido	Nivel de potencia acústica garantizado. Emisiones de ruido al medio ambiente en conformidad con la Directiva de la Unión Europea.
V	Voltios	Tensión
mm	Milímetro	Longitud o tamaño
cm	Centímetro	Longitud o tamaño
in.	Pulgada	Longitud o tamaño
kg	Kilogramo	Peso

PRECAUCIONES IMPORTANTES DE SEGURIDAD

⚠ ADVERTENCIA: Cuando se utilicen cortabordes con cabezal de hilo, deberán adoptarse siempre ciertas precauciones de seguridad básicas a fin de reducir posibles riesgos de incendio, electrocución y lesiones físicas. Además, deberán tenerse en cuenta las advertencias siguientes:

LEA DETENIDAMENTE TODAS LAS INSTRUCCIONES ANTES DE UTILIZAR LA HERRAMIENTA

CONSERVE ESTA INFORMACIÓN COMO REFERENCIA FUTURA

⚠ ¡PELIGRO! No confíe exclusivamente en el aislamiento de la herramienta a modo de prevención contra posibles descargas eléctricas. Para reducir en lo posible cualquier riesgo de electrocución, nunca utilice la herramienta cerca de cables o tendidos eléctricos (alimentación, etc.) que pudieran estar bajo tensión.

⚠ PRECAUCIÓN: Utilice protección auditiva adecuada mientras se sirve de la herramienta. En ciertas condiciones de uso y en función del tiempo de exposición, el ruido generado por este producto podría dañar su capacidad auditiva.

Formación

- Lea detenidamente las instrucciones proporcionadas. Familiarícese con los mandos, así como con la manera correcta de utilizar su herramienta.
- Nunca permita que utilicen la herramienta las personas que no estén familiarizadas con estas instrucciones ni los niños. En algunos casos, es posible que la legislación local estipule una edad mínima para poder utilizar este tipo de herramientas.
- Le recordamos que el operario o usuario de la herramienta será responsable de cualquier accidente o peligro que su utilización pudiera suponer para otras personas o bienes de terceros.

Preparativos preliminares

- Nunca utilice la herramienta cuando haya personas, especialmente niños o animales domésticos en las inmediaciones de la zona de trabajo.
- Utilice siempre protección ocular y calzado robusto mientras se sirve de la herramienta.
- La distancia entre la máquina y otras personas debe ser al menos 15 m.

Utilización

- Utilice únicamente la herramienta a plena luz del día o cuando exista iluminación artificial adecuada.
- Nunca utilice la herramienta con sus guardas de protección dañadas o sin sus dispositivos de seguridad instalados.
- No ponga en marcha el motor hasta haberse asegurado de tener las manos y los pies lo suficientemente apartados de los elementos de corte.
- Desconecte la herramienta de la fuente de alimentación (por ejemplo, desenchufándola de la red eléctrica, retirando su acumulador, o accionando el dispositivo de bloqueo o corte de alimentación) en los siguientes casos:
 - siempre que vaya a dejarla desatendida;
 - antes de eliminar cualquier obstrucción en la herramienta;
 - antes de comprobar, limpiar o llevar a cabo cualquier operación en la herramienta;
 - tras haber golpeado algún objeto extraño con el elemento de corte;
 - en cuanto se observen vibraciones anormales en la herramienta.
- Extreme las precauciones para evitar sufrir lesiones en los pies y las manos debido a la acción de los elementos de corte.

- Asegúrese siempre de que las rejillas de ventilación están libres de residuos y acumulaciones de suciedad.

Mantenimiento y almacenamiento

- Desconecte la herramienta de la fuente de alimentación (por ejemplo, desenchufándola de la red eléctrica, retirando su acumulador, o accionando el dispositivo de bloqueo o corte de alimentación) antes de efectuar en ella cualquier tarea de mantenimiento o limpieza.
- Utilice únicamente piezas de repuesto y accesorios recomendados por el fabricante.
- Examine la herramienta a intervalos periódicos y lleve a cabo las operaciones de mantenimiento que sean necesarias. Confíe cualquier reparación que sea necesario efectuar en la herramienta a un servicio técnico autorizado.
- Cuando no la esté utilizando, guarde la herramienta en lugar fuera del alcance de niños.

Advertencias de seguridad complementarias

- **Mantenga alejados a los niños** - Todas las personas ajenas a la tarea deberán mantenerse a una distancia mínima de 15 metros de la zona de trabajo.
- **Evite aquellas condiciones particularmente peligrosas.** No utilice el cortabordes en hierba mojada o excesivamente húmeda.
- **Apague siempre la desbrozadora o quite el acumulador cuando vaya a dejarla desatendida.**
- **Tampoco lo utilice bajo la lluvia.**
- **Utilice ropa adecuada.** No lleve puesta ropa holgada ni joyas. Existe el peligro de que pudieran quedar atrapadas en las partes móviles de la herramienta. Se recomienda utilizar de guantes de goma y calzado adecuado cuando trabaje al aire libre. Si lleva el pelo largo, asegúrese de mantenerlo recogido utilizando alguna prenda de protección para la cabeza.
- **Utilice gafas de seguridad.** Asimismo, utilice siempre una mascarilla antipolvo o un aparato de protección respiratoria si el trabajo efectuado es propenso a generar polvo.
- **Use siempre la herramienta correcta para el trabajo a realizar.** No utilice la herramienta para ninguna otra tarea que no sea la prevista.
- **No fuerce la desbrozadora** - Funcionará mejor y con menor probabilidad de riesgo de lesiones a la velocidad para la que ha sido diseñada.
- **Manténgase alerta y preste atención a lo que hace.** Utilice su sentido común. No utilice el cortabordes si está cansado.

- **No utilice la desbrozadora si se encuentra bajo los efectos de alcohol o fármacos.**
- **Asegúrese siempre de utilizar la herramienta con todas sus guardas de protección correctamente instaladas y en buen estado.**
- **Mantenga las manos y los pies alejados de la zona de corte.**
- **Guarde la desbrozadora en interiores** - Cuando no se utilice, la desbrozadora debe almacenarse en un espacio interior, seco y en un lugar alto o cerrado con llave, con el acumulador quitado y fuera del alcance de los niños.
- **Realice con cuidado el mantenimiento de la desbrozadora** - Mantenga limpio el dispositivo de corte para obtener un mejor rendimiento y reducir el riesgo de lesiones. Siga las instrucciones para cambiar accesorios. Mantenga los mangos secos, limpios y libres de aceite y grasa.
- **Compruebe si hay piezas dañadas** - Antes de seguir usando la desbrozadora, deberá comprobarse meticulosamente el dispositivo de protección o cualquier otra pieza que esté dañada, para determinar si se encuentra en perfectas condiciones de funcionamiento y si cumplen la función prevista. Compruebe la alineación de las piezas móviles y asegúrese de que se desplazan libremente sin trabarse. Compruebe también que no haya piezas rotas, el montaje y cualquier otra condición que pueda afectar a su funcionamiento. A menos que se indique lo contrario en este manual, si una protección u otra pieza está dañada, deberá repararla o sustituirla un servicio técnico autorizado.
- **Asegúrese de que todos los elementos de sujeción estén en su lugar de forma segura. Compruebe que el escudo del elemento de corte esté instalado correctamente en la posición recomendada por el fabricante.**
- **Antes de cada uso, despeje la zona de corte.** Quite todos los objetos como piedras, vidrios rotos, clavos, alambres, cables o cuerdas, ya que podrían salir despedidos o enredarse en el elemento de corte. Mantenga a los niños, las mascotas y otras personas fuera de la zona de trabajo. Mantenga a todos los niños, las mascotas y otras personas alejadas como mínimo un radio de 15 m; fuera de la zona de 15 m sigue existiendo riesgo de lesiones provocadas por objetos lanzados. Se recomienda que cualquier persona presente en la zona de trabajo utilice protección ocular.
- **Sujete siempre la desbrozadora firmemente por sus empuñaduras con ambas manos mientras la utiliza. Rodee las empuñaduras con los dedos y los pulgares.**
- **Evite el arranque accidental de la herramienta** - No lleve la desbrozadora con el dedo en el gatillo.
- **No utilice la desbrozadora en entornos explosivos o gaseosos.** Los motores de estas herramientas suelen generar chispas que podrían inflamar los vapores.
- **Daños en la desbrozadora** - Si golpea un objeto extraño con la desbrozadora o si se enreda, pare la herramienta inmediatamente, compruebe si se ha dañado y, dado el caso, llévela a reparar antes de seguir usándola. No utilice la herramienta si la protección o la cuchilla están rotos.
- **Si se observan vibraciones anormales en la herramienta, apague el motor e investigue inmediatamente la causa.** Las vibraciones suelen ser indicativo de alguna anomalía. Una cuchilla suelta podría provocar vibraciones, agrietarse, romperse o salir despedida de la desbrozadora, pudiendo causar lesiones graves o incluso mortales. Asegúrese de que el elemento de corte está correctamente instalado y bien sujeto. Si la cuchilla se suelta tras haberla fijado en su sitio, sustitúyala inmediatamente. Nunca utilice una desbrozadora con un elemento de corte suelto.
- **Para reducir el riesgo de lesiones debido a una posible pérdida de control, nunca utilice la herramienta subido en una escalera ni ningún otro soporte o inseguro. Nunca eleve el accesorio de corte por encima de su cintura.**
- **Mantenga en todo momento un buen equilibrio y los pies firmemente apoyados en el suelo.** No se estire demasiado. Mantenga el elemento de corte por debajo del nivel de la cintura. Mantenga todas las partes del cuerpo apartadas del elemento de corte giratorio.
- Sustituya inmediatamente cualquier cuchilla que esté agrietada, dañada o desgastada, incluso si el daño observado parece limitarse a grietas superficiales. Un accesorio de corte en esas condiciones podría romperse en pedazos al funcionar a altas revoluciones y provocar lesiones graves o incluso mortales.
- Compruebe el accesorio de corte con bastante frecuencia mientras utiliza la herramienta o inmediatamente si observa cualquier cambio notable en la eficacia de corte.
- **Pare el motor y el elemento de corte si alguien se le acerca. En el caso de las unidades con cuchillas, existe el riesgo adicional de lesiones a otras personas al ser alcanzadas por la cuchilla en movimiento en caso de contragolpe de la cuchilla o de otra reacción inesperada de la misma.**

- **Advierta al usuario del peligro de contragolpe de las cuchillas.**
 - Puede producirse contragolpe de las cuchillas cuando la cuchilla giratoria entra en contacto con un objeto que no corta inmediatamente.
 - El contragolpe de las cuchillas puede ser lo bastante violento para provocar que el aparato y/o el usuario salgan impulsados en cualquier dirección, con la posibilidad de perder el control de la herramienta.
 - El contragolpe de las cuchillas se puede producir sin previo aviso si la cuchilla se queda trabada, se para o se engancha.
 - Es más probable que se produzca contragolpe de las cuchillas en zonas en las que resulta difícil ver el material que se está cortando.
- **No instale ninguna cuchilla a una unidad sin colocar correctamente todas las piezas necesarias. Si no se utilizan las piezas adecuadas, la cuchilla podría salir despedida y provocar lesiones graves al usuario o a otras personas. Deseche las cuchillas que estén dobladas, deformadas, agrietadas, rotas o dañadas de cualquier otro modo. Utilice una cuchilla afilada. Una cuchilla embotada tiene más probabilidades de trabarse y de sufrir contragolpes.**
- **Una cuchilla que se mueve en inercia puede provocar lesiones mientras sigue girando tras haber parado el motor o soltado el gatillo. Mantenga un control adecuado hasta que la cuchilla haya dejado de girar completamente.**
- **No recargue el acumulador bajo la lluvia ni en entornos excesivamente húmedos.**
- Utilice únicamente los modelos de acumuladores y cargadores indicados a continuación:

ACUMULADOR	CARGADOR
BA1120E, BA2240E, BA2800	CH2100E CH5500E

- **Deberá retirarse el acumulador de la herramienta antes de proceder a su eliminación.**
- **No elimine el acumulador arrojándolo al fuego.** Sus celdas podrían explotar. Consulte la normativa local referente a los procedimientos de eliminación especiales previstos a tal efecto.
- **No desarme ni dañe en modo alguno el acumulador.** El electrólito que podría liberarse es corrosivo y podría provocar lesiones oculares o cutáneas. Asimismo, podría ser tóxico si se ingiere.

- **Tome las precauciones adecuadas al manipular los acumuladores a fin de no provocar cortocircuitos con materiales conductores, tales como anillos, pulseras y llaves.** Cualquier cortocircuito podría provocar el sobrecalentamiento del acumulador o material conductor, con el consiguiente riesgo de sufrir quemaduras.
- **Piezas de recambio** - Cuando repare el aparato, use solo piezas de recambio idénticas de EGO. El uso de otros accesorios o piezas podría aumentar el riesgo de lesiones.
- **Las herramientas que funcionan a batería no requieren enchufarse en una toma de corriente. Por lo tanto, siempre están listas para funcionar.** Sea consciente de los posibles peligros implicados, incluso cuando la herramienta no está funcionando. Preste especial atención al efectuar reparaciones u operaciones de mantenimiento en la herramienta.
- **Quite o desconecte el acumulador antes de realizar el mantenimiento y limpieza o de retirar material de la desbrozadora.**
- **No limpie la herramienta utilizando una manguera. Evite que penetre agua en el motor o en las conexiones eléctricas.**
- **Si se produce alguna situación que no esté incluida en este manual, actúe con cuidado y sentido común. Póngase en contacto con el departamento de atención al cliente de EGO para solicitar ayuda.**
- **Conserve estas instrucciones.** Consúltelas con frecuencia y utilícelas para instruir a aquellas otras personas que vayan a usar esta herramienta. En caso de prestar esta herramienta a terceros, proporciónese también estas instrucciones a fin de evitar su uso incorrecto y posibles riesgos de lesiones.

NOTA: CONSULTE EN EL MANUAL DEL USUARIO DEL CONJUNTO DE MOTOR LAS INSTRUCCIONES DE SEGURIDAD ESPECÍFICAS ADICIONALES.

ESPECIFICACIONES

Anchura de corte	30 cm
Revoluciones del motor en vacío	5000/6000 min ⁻¹
Peso	1,82 kg
Nivel de potencia acústica ponderado (L _{WA})	96,5 dB(A) K=1,88 dB(A)
Nivel de presión acústica medido a la altura del oído del usuario (L _{PA})	84,5 dB(A) K=3 dB(A)
Nivel de potencia acústica garantizado L _{WA} (medido según 2000/14/CE)	98 dB(A)
Nivel de vibraciones (a _v)	Empuñadura auxiliar delantera 2,8 m/s ² k=1,6 m/s ²
	Empuñadura trasera 3,1 m/s ² k=1,6 m/s ²

- Los parámetros anteriores se han comprobado y medido equipando un conjunto de motor PH1400E;
- El nivel total de vibraciones especificado ha sido medido conforme al método de prueba estándar empleado en la industria y puede utilizarse para efectuar comparaciones entre herramientas.
- Asimismo, el nivel total de vibraciones declarado podrá utilizarse para efectuar una evaluación preliminar de la exposición del usuario a los niveles de vibración generados por la herramienta.

AVISO: Las vibraciones generadas durante el uso real de la herramienta eléctrica podrán diferir del valor declarado en función de la manera en que se utilice. A modo de protección, el usuario deberá utilizar guantes y protectores auditivos en condiciones reales de uso.

Cuchilla recomendada

DENOMINACIÓN DE PIEZA	N.º DE MODELO:
Cuchilla para desbrozadora	ABB1203

LISTA DE EMBALAJE

DENOMINACIÓN DE PIEZA	CANTIDAD
Herramienta desbrozadora	1
Conjunto de cuchilla y funda	1
Guarda de protección	1
Accesorio protector (SOLO para el uso con cabezal de cortabordes)	1
Llave hexagonal	1
Llave multifunción	1
Manual de instrucciones	1

DESCRIPCIÓN

FAMILIARÍCESE CON LA HERRAMIENTA DESBROZADORA (fig. A)

- Tapón
- Tubo de la desbrozadora
- Guarda de protección
- Cuchilla
- Funda de la cuchilla
- Alambre de sujeción
- Tornillo de sellado
- Caja de engranajes
- Orificio de bloqueo del tubo
- Brida exterior
- Llave multifunción
- Llave hexagonal
- Accesorio protector (SOLO para el uso con cabezal de cortabordes)

ADVERTENCIA: Nunca utilice la herramienta sin la protección instalada y firmemente sujeta en su sitio. La protección deberá estar siempre instalada en la herramienta a fin de ofrecer protección al usuario.

ADVERTENCIA: Cuando se utilice la herramienta como cortabordes de hilo, equipado con un cabezal cortabordes, deberá instalarse el accesorio protector sobre la protección. De lo contrario, podría producirse un hilo de corte excesivamente largo y una sobrecarga del motor.

CONJUNTO

ADVERTENCIA: Si alguna pieza falta o está rota, no utilice el producto hasta haber sustituido las piezas rotas o instalado las que faltan. Podrían producirse lesiones físicas graves en caso de utilizar el producto si alguna de sus piezas falta o está dañada.

⚠ ADVERTENCIA: No intente modificar esta herramienta en modo alguno ni fabricar accesorios no recomendados para su uso en este cortabordes con cabezal de hilo. Cualquier alteración o modificación se considerará uso indebido y podría provocar una situación peligrosa con riesgo de sufrir lesiones graves.

⚠ ADVERTENCIA: Lleve siempre guantes resistentes cuando instale o quite la cuchilla o la protección, o cuando realice cualquier tarea de mantenimiento en la cuchilla. Tenga cuidado con la cuchilla y proteja sus manos para evitar cortarse con ella.

⚠ ADVERTENCIA: No conecte el conjunto de motor hasta después de haber finalizado el montaje. De lo contrario, podría producirse un arranque accidental y posibles lesiones graves.

AVISO: El orden correcto para el montaje de la desbrozadora consiste en instalar primero la protección, después la cuchilla y, por último, el conjunto de motor.

⚠ ADVERTENCIA: No utilice nunca la herramienta sin la protección y la empuñadura auxiliar delantera con la barra de barrera instalada firmemente en su lugar. De lo contrario, podría sufrir lesiones físicas graves.

MONTAJE DE LA GUARDA DE PROTECCIÓN

1. Levante la desbrozadora y colóquela boca abajo. A continuación, alinee los dos orificios de montaje de la protección con los dos tornillos preinstalados en la placa de fijación. Asegúrese de que la superficie interna de la protección esté orientada hacia el cabezal de la desbrozadora (fig. C).
2. Fije la protección en su sitio con los tornillos, utilizando la llave hexagonal incluida en el suministro (fig. D).

MONTAJE DE LA CUCHILLA

1. La cuchilla se suministra con una funda. Antes de instalar la cuchilla en la desbrozadora, hay que quitar la funda soltando el alambre de sujeción del gancho de la funda (fig. E).

Fig. E, ver abajo la descripción de las piezas:

E-1	Gancho
E-2	Alambre de sujeción

2. Gire la brida exterior para alinear la ranura en la brida interior con el orificio de bloqueo del tubo en la caja de engranajes (fig. F).
3. Inserte la llave hexagonal suministrada en los orificios alineados para que actúe como un estabilizador (fig. G).

Fig. F y G, ver a continuación la descripción de las piezas:

F-1	Caja de engranajes	F-3	Brida exterior
F-2	Orificios de bloqueo del tubo alineados	G-1	Estabilizador

4. Coloque el cabezal de la desbrozadora contra una superficie sólida como apoyo. Sujete con una mano el tubo de la desbrozadora y con la otra mano la llave multifuncional suministrada, para soltar la tuerca en la dirección de la flecha marcada en la brida exterior, y quite la tuerca y la brida exterior. Guárdelas para volver a montarlas después (fig. H).
5. Instale la cuchilla en el eje del motor, asegurándose de que la superficie de la cuchilla esté a nivel con la superficie del saliente de la brida interior. Continúe montando la brida exterior y la tuerca (fig. I). Apriete previamente la tuerca a mano **EN SENTIDO ANTIHORARIO**.

Fig. I, ver abajo la descripción de las piezas:

I-1	Saliente de la brida interior
I-2	Eje del motor
I-3	Tuerca
I-4	Brida exterior
I-5	Cuchilla

6. Gire la brida exterior para alinear la ranura de la brida interior con el orificio de bloqueo del tubo en la caja de engranajes, e inserte la llave hexagonal suministrada en los orificios alineados para que actúe como estabilizador, como se indica en los pasos 2 y 3 anteriores.
7. Coloque el cabezal de la desbrozadora contra una superficie sólida como apoyo. Sujete con una mano la cuchilla y con la otra mano la llave multifuncional suministrada, para apretar la tuerca en la dirección contraria a la flecha marcada en la brida exterior (fig. J).

Uso del accesorio protector

AVISO: Cuando se utilice la herramienta como cortabordes de hilo equipado con un cabezal cortabordes, deberá instalarse el accesorio protector sobre la protección (fig. K).

Sujete el accesorio protector sobre la protección apretando los tres tornillos con la llave hexagonal suministrada. De lo contrario, podría producirse un hilo de corte excesivamente largo y una sobrecarga del motor.

CONEXIÓN DE LA HERRAMIENTA DESBROZADORA AL CONJUNTO DE MOTOR

Esta herramienta desbrozadora está diseñada para su uso con el conjunto de motor EGO PH1400E.

Consulte el apartado “**INSTALACIÓN DE UN ACCESORIO EN EL CONJUNTO DE MOTOR**” del manual del usuario del conjunto de motor PH1400E.

UTILIZACIÓN

ES

⚠ ADVERTENCIA: No permita que la confianza que supone el hecho de estar familiarizado con el producto dé lugar a descuidos. Recuerde que cualquier distracción de una fracción de segundos es suficiente para sufrir o provocar lesiones graves.

⚠ ADVERTENCIA: Utilice siempre gafas de seguridad con pantallas de protección lateral, así como protección auditiva. De lo contrario, los objetos despedidos por la acción de la herramienta podrían alcanzar sus ojos y provocar lesiones graves oculares o de otro tipo.

APLICACIONES

Este producto podrá utilizarse para los fines indicados a continuación:

- Cortar malas hierbas, plantas silvestres y broza, ralea ejemplares jóvenes con un diámetro del tallo máximo de 2 cm.

AVISO: La herramienta debe utilizarse únicamente para el fin previsto. Cualquier otro uso se considerará uso indebido.

UTILIZACIÓN DE LA DESBROZADORA CON EL CONJUNTO DE MOTOR

⚠ ADVERTENCIA: Utilice ropa adecuada cuando trabaje con esta herramienta, para reducir el riesgo de lesiones. No lleve puesta ropa holgada ni joyas. Utilice protección ocular y auditiva. Utilice pantalones largos, botas y guantes resistentes. No lleve pantalones cortos, sandalias, ni vaya descalzo.

Para un funcionamiento mejor y más seguro, póngase la correa bandolera cruzada desde el hombro. Ajuste la correa bandolera en una posición cómoda para utilizar la herramienta. Sujete la desbrozadora con una mano sobre la empuñadura trasera y la otra mano sobre la empuñadura auxiliar delantera. Mantenga un agarre firme con las dos manos mientras utiliza la herramienta. La desbrozadora deberá sujetarse en una posición cómoda con la empuñadura trasera aproximadamente a la altura de la cadera. Mantenga un buen agarre y equilibre el peso entre los dos pies. Colóquese de tal forma que no pierda el equilibrio debido a la reacción de retroceso de la cuchilla de corte (fig. B).

⚠ ADVERTENCIA: La correa bandolera también es un mecanismo de liberación rápida si se produce una situación peligrosa. En caso de emergencia, quítesela del hombro inmediatamente, sin importar cómo esté colocada la correa.

Para cortar plantas silvestres y broza, baje la cuchilla giratoria sobre el suelo para lograr un efecto de trituración. Utilice la desbrozadora como una guadaña (con un movimiento de barrido a derecha e izquierda) al nivel del suelo. Nunca utilice el elemento de corte por encima de su cintura.

⚠ ADVERTENCIA: Cuanto más levantado del suelo esté el elemento de corte, mayor será el riesgo de lesiones por el lanzamiento lateral del material cortado.

⚠ ADVERTENCIA: Cuando corte árboles jóvenes u otro material de madera hasta 2 cm de diámetro, use el lado izquierdo de la cuchilla para evitar situaciones de contragolpe de la cuchilla. No intente cortar material de madera con un diámetro más grande, ya que la cuchilla podría engancharse o sacudir hacia delante la desbrozadora. Esto podría provocar daños en la cuchilla o en la desbrozadora, o hacerle perder el control de la herramienta y provocar lesiones.

⚠ ADVERTENCIA: El uso incorrecto de la cuchilla de una desbrozadora puede hacer que se agriete, se desportille o se quiebre.

Si algún pedazo sale despedido puede lesionar gravemente al usuario o a otras personas. Para reducir el riesgo de lesiones, es esencial adoptar las precauciones siguientes:

- Evite el contacto con objetos extraño duros o macizos, como piedras, rocas o trozos de metal.
- No corte nunca madera ni arbustos que tengan un diámetro mayor que 2 cm.
- Inspeccione la cuchilla a intervalos regulares cortos para detectar cualquier signo de desgaste. No siga utilizando una cuchilla dañada.
- Afíle la cuchilla regularmente (cuando esté notablemente embotada) y llévela a que la equilibren cuando sea necesario (a un técnico de servicio cualificado).

CONTRAGOLPE DE LA CUCHILLA

Extreme las precauciones cuando utilice la cuchilla con esta herramienta. El contragolpe de la cuchilla es la reacción que se puede producir cuando la cuchilla giratoria entra en contacto con algo que no puede cortar. Este contacto puede hacer que la cuchilla se pare durante un instante y produzca un “contragolpe” repentino de la unidad en la dirección contraria al objeto golpeado. Esta reacción puede ser lo bastante violenta para que el usuario pierda el control

del aparato. El contragolpe de las cuchillas se puede producir sin previo aviso si la cuchilla se queda trabada, se para o se engancha. Es más probable que esto ocurra en zonas en las que resulta difícil ver el material que se está cortando. Para facilitar el corte y aumentar la seguridad, acérquese a las hierbas a cortar con la desbrozadora desde la derecha hacia la izquierda. En caso de encontrar un palo de madera o un objeto inesperado, de este modo podrá minimizar la reacción de contragolpe de la cuchilla.

Antes de cada utilización, examine la herramienta por si hubiera piezas dañadas o desgastadas.

Examine la cuchilla, la protección y la empuñadura auxiliar delantera. Sustituya cualquier pieza que esté agrietada, deformada, doblada o presente cualquier tipo de daño.

Con el tiempo, el filo de la cuchilla puede llegar a embotarse. Se recomienda darle la vuelta a la cuchilla para alargar su vida útil y afilarla periódicamente (debe hacerlo un técnico de servicio cualificado), o sustituirla por una nueva cuando sea necesario.

Limpie la desbrozadora después de cada uso

Consulte las instrucciones de limpieza en el apartado **MANTENIMIENTO**.

⚠ ADVERTENCIA: Asegúrese de que la cuchilla se haya detenido completamente antes de realizar tareas de limpieza o mantenimiento de la desbrozadora. De lo contrario, podría sufrir lesiones físicas graves.

PARA PONER EN MARCHA/PARAR LA HERRAMIENTA

Consulte el apartado **"PUESTA EN MARCHA/PARADA DEL CONJUNTO DE MOTOR"** del manual del usuario del conjunto de motor PH1400E.

MANTENIMIENTO

⚠ ADVERTENCIA: Antes de inspeccionar, limpiar o reparar la unidad, apague el motor, espere a que se detengan todas las partes móviles y quite el acumulador. El incumplimiento de estas instrucciones podría tener como resultado lesiones personales graves o daños materiales.

⚠ ADVERTENCIA: Cuando efectúe reparaciones en la herramienta, utilice únicamente piezas idénticas a las originales. La utilización de piezas diferentes o no homologadas podría suponer un peligro o causar daños en el producto. Para garantizar la seguridad y fiabilidad del producto, confíe cualquier reparación que sea necesaria a personal técnico cualificado.

⚠ ADVERTENCIA: Lleve siempre guantes resistentes cuando instale o quite la cuchilla o cuando realice cualquier tarea de mantenimiento en la cuchilla. Tenga cuidado con la cuchilla y proteja sus manos para evitar cortarse con ella.

MANTENIMIENTO GENERAL

Evite utilizar disolventes para limpiar los elementos plásticos del producto. La mayoría de las piezas de plástico utilizadas son susceptibles de sufrir daños si se limpian con algunos de los tipos de disolventes disponibles en el mercado. Utilice paños limpios para eliminar la suciedad y los residuos de polvo, aceite, grasa, etc.

LIMPIEZA DE LA HERRAMIENTA

- Quite la batería
- Después de cada uso, limpie los restos, la tierra o la hierba atascados en la cuchilla y en la protección, utilizando un cepillo suave.
- Limpie la superficie de la herramienta con un paño limpio, humedecido con una solución de agua y jabón suave.
- Utilice un cepillo pequeño o una aspiradora para limpiar los orificios de ventilación de la carcasa trasera.
- Mantenga los orificios de ventilación libres de obstrucciones.

Cuando la cuchilla se embote porque los dos filos de la cuchilla estén romos, llévela a afilar a un técnico de servicio cualificado o cámbiela por una nueva en caso necesario.

SUSTITUCIÓN DE LA CUCHILLA

⚠ ADVERTENCIA: Una cuchilla desgastada, agrietada o dañada puede llegar a romperse y sus trozos podrían convertirse en proyectiles peligrosos. Los objetos lanzados por la acción de la herramienta podrían causar lesiones graves. Examine la cuchilla regularmente y no utilice la desbrozadora si la cuchilla está desgastada o dañada.

⚠ ADVERTENCIA: Utilice protección ocular adecuada al desmontar, afilar y volver a instalar la cuchilla.

Desmontaje de la cuchilla

1. Quite la batería.
2. Gire la brida exterior para alinear la ranura de la brida interior con el orificio de bloqueo del tubo en la caja de engranajes, e inserte la llave hexagonal suministrada en los orificios alineados para que actúe como estabilizador, igual que en los pasos 2 y 3 del apartado **"MONTAJE DE LA CUCHILLA"**.

- Coloque el cabezal de la desbrozadora contra una superficie sólida como apoyo. Sujete con una mano la cuchilla y con la otra mano la llave multifuncional suministrada, para soltar la tuerca en la dirección de la flecha marcada en la brida exterior, y quite la tuerca, la brida exterior y la cuchilla desgastada (fig. L).
- Compruebe si están desgastadas la brida interior y la cubierta de la brida, y sustitúyalas en caso necesario (fig. M).

Fig. M, ver abajo la descripción de las piezas:

M-1	Eje del motor	M-5	Brida exterior
M-2	Brida interior	M-6	Tuerca
M-3	Cubierta de la brida	M-7	Ranura en la brida
M-4	Cuchilla		

- Instale la nueva cuchilla en el eje del motor en el orden que se indica en la fig. M. Siga las instrucciones detalladas en los pasos 5, 6 y 7 del apartado "MONTAJE DE LA CUCHILLA".

LUBRICACIÓN DE LOS ENGRANAJES DE TRANSMISIÓN

Los engranajes de transmisión de la caja de engranajes deberán lubricarse periódicamente con grasa para engranajes. Compruebe el nivel de grasa de la caja de engranajes aproximadamente cada 50 horas de uso retirando el tornillo de sellado del lateral de la caja.

Si no se ve grasa en los flancos de los engranajes, siga los pasos que se indican a continuación para rellenar con grasa para engranajes hasta 3/4 de la capacidad.

No rellene por completo los engranajes de transmisión con grasa.

- Sujete la desbrozadora de forma que el tornillo de sellado esté hacia arriba (fig. N).
- Emplee la llave multifunción suministrada para aflojar y retirar el tornillo de sellado.
- Utilice una jeringa de engrase (no incluida) para inyectar la grasa en el orificio del tornillo.
- Apriete el tornillo de sellado tras la inyección.

ALMACENAMIENTO DE LA HERRAMIENTA

- Quite el acumulador de la herramienta.
- Utilice guantes resistentes para limpiar a fondo la herramienta.
- Coloque la funda sobre la cuchilla para guardarla de forma segura (fig. O).
- Quite la herramienta desbrozadora del conjunto de motor y, en caso necesario, coloque el tapón en el extremo del tubo de la herramienta.
- Almacene la herramienta en un lugar seco y bien ventilado, ya sea cerrado o a una altura suficiente que impida que los niños puedan alcanzarla. No la guarde encima ni cerca de fertilizantes, gasolina u otros productos químicos.

Protección del medio ambiente



No elimine aparatos eléctricos, cargadores de baterías, acumuladores recargables o baterías junto con los desperdicios domésticos!

Tanto la Directiva europea 2012/19/UE sobre la eliminación de aparatos eléctricos y electrónicos inservibles como la Directiva europea 2006/66/CE sobre la eliminación de baterías o acumuladores defectuosos o agotados estipulan que dichos elementos deben ser objeto de una recogida selectiva.

Si los aparatos eléctricos acabaran tirándose a vertederos o basureros, podrían desprender sustancias perjudiciales que llegarían a contaminar las capas freáticas y entrar en la cadena alimenticia, con el consecuente peligro para la salud y calidad de vida humana.

DECLARACIÓN DE CONFORMIDAD CE

Nosotros, EGO EUROPE GMBH

Wahlwiesenstrasse 1, D-71711 Steinheim an der Murr Deutschland

Declaramos que el producto **herramienta desbrozadora inalámbrica con acumulador de ion de litio de 56V BCA1200**, equipado con un conjunto de motor PH1400E

es conforme con los requisitos de salud y seguridad esenciales de las siguientes directivas:

2006/42/CE, 2014/30/UE, 2011/65/UE, 2000/14/CE

Normas y especificaciones técnicas consultadas:

EN ISO 11806-1, EN 60745-1, EN 55014-1, EN 55014-2

Nivel de potencia acústica ponderado: 96,5 dB(A)

Nivel de potencia acústica garantizado: 98 dB(A)

Peter Melrose
Director Ejecutivo de
EGO Europe GmbH

Dong Jianxun
Director de calidad de
Chervon

*(representante autorizado de CHERVON y responsable de la documentación técnica)

01/12/2016

RESOLUCIÓN DE PROBLEMAS

PROBLEMA	CAUSA	SOLUCIÓN
La desbrozadora no arranca.	<ul style="list-style-type: none"> ■ El acumulador no está acoplado al conjunto de motor. ■ No hay contacto eléctrico entre el conjunto de motor y el acumulador. ■ El acumulador está agotado. ■ No ha presionado simultáneamente la palanca de desbloqueo y el gatillo interruptor. 	<ul style="list-style-type: none"> ■ Instale el acumulador en el conjunto de motor. ■ Quite la batería, compruebe los contactos eléctricos y vuelva a instalar el acumulador de modo que encaje en su sitio. ■ Cargue el acumulador con los cargadores EGO indicados en este manual. ■ Mantenga presionada hacia abajo la palanca de desbloqueo y apriete el gatillo interruptor para poner en marcha la desbrozadora.
La desbrozadora se para cuando está cortando.	<ul style="list-style-type: none"> ■ El motor se ha sobrecargado ■ El acumulador o el conjunto de motor se han sobrecalentado. ■ El acumulador se ha desconectado de la herramienta. ■ El acumulador está agotado. 	<ul style="list-style-type: none"> ■ El motor se recuperará cuando se retire la carga. Para un trabajo continuo, reduzca la carga del conjunto de motor. ■ Espere a que el acumulador o el conjunto de motor se hayan enfriado lo suficiente para que su temperatura sea inferior a 67 °C (152 °F). ■ Vuelva a instalar en su sitio el acumulador. ■ Cargue el acumulador con los cargadores EGO indicados en este manual.

ES

GARANTÍA

POLITICA DE GARANTÍA EGO

Por favor visite nuestra página web egopowerplus.com para los terminos y las condiciones completas de la politica de garantía EGO.

LEIA TODAS AS INSTRUÇÕES!



LEIA O MANUAL DO UTILIZADOR

⚠ Risco residual! As pessoas com dispositivos eletrônicos, como *pacemakers*, deverão consultar o seu médico antes de utilizarem este produto. A utilização de equipamento elétrico perto de um *pacemaker* pode causar interferências ou falhas no *pacemaker*.

⚠ AVISO: Para assegurar a segurança e bom funcionamento, todas as reparações e substituições deverão ser efetuadas por um técnico de reparação qualificado.

SÍMBOLOS DE SEGURANÇA

O objetivo dos símbolos de segurança é chamar a atenção para possíveis perigos. Os símbolos de segurança e as respectivas explicações apresentadas requerem a sua atenção e compreensão. Os avisos de segurança, só por si, não eliminam o perigo. As instruções e avisos dados não são substitutos para medidas de prevenção adequadas a acidentes.

⚠ AVISO: Certifique-se de que lê e compreende todas as instruções de segurança neste manual do utilizador, incluindo todos os símbolos de alerta de segurança, como “**PERIGO**”, “**AVISO**”, e “**CUIDADO**” antes de utilizar esta ferramenta. Não seguir todas as instruções apresentadas abaixo pode resultar em choque elétrico, incêndio e/ou lesões graves.

SIGNIFICADO DOS SÍMBOLOS

⚠ SÍMBOLO DE ALERTA DE SEGURANÇA: Indica **PERIGO**, **AVISO** ou **CUIDADO**. Pode ser usado juntamente com outros símbolos ou imagens.



⚠ AVISO: O funcionamento de qualquer ferramenta elétrica pode dar origem ao ressalto de quaisquer objetos estranhos que podem atingir os olhos, podendo dar origem a sérias lesões oculares. Antes de começar a utilizar a ferramenta elétrica, utilize sempre óculos de segurança com proteções laterais e uma proteção completa para o rosto, quando necessário. Recomendamos a utilização de máscaras de segurança com visão panorâmica por cima dos óculos ou óculos de segurança padrão com proteção lateral.

INSTRUÇÕES DE SEGURANÇA

Esta página retrata e descreve os símbolos de segurança que podem aparecer neste produto. Leia, compreenda e siga todas as instruções na máquina antes de a tentar montar e utilizar.

	Alerta de segurança	Precauções que envolvam a sua segurança.
	Leia o manual do utilizador	Para reduzir o risco de lesões, o utilizador tem de ler e compreender o manual do utilizador antes de utilizar este produto.
	Utilize proteção ocular	Utilize sempre óculos de segurança com proteção lateral e, se necessário, uma proteção completa do rosto, quando utilizar este produto.
	Utilize proteção auditiva	O ruído emitido pela podadora pode causar lesões auditivas. Use sempre proteções auditivas para proteger a sua audição.
	Use proteção para a cabeça	Use um chapéu de proteção aprovado para proteger a cabeça.
	Use luvas de proteção	Proteja as suas mãos com luvas quando manusear a serra e a corrente da serra. As luvas resistentes e anti-derrapantes melhoram a aderência e protegem as suas mãos.
	Use calçado de segurança.	Use calçado de segurança anti-derrapante quando usar este equipamento.
	Largura de corte	A largura máx. de corte da roçadeira

	Cuidado com o impulso da lâmina.	Avisar o operador do perigo de impulso da lâmina.
	Ricochete	Objetos podem ressaltar e causar lesões pessoais ou danos materiais.
	Mantenha terceiros afastados	Certifique-se de que outras pessoas e animais permanecem a, pelo menos, 15m da roçadeira durante a utilização.
	Sem lâmina redonda	Não instale lâminas de corte redondas.
	Não exponha à chuva	Não use este produto à chuva nem o deixe no exterior quando chover.
	CE	Este produto encontra-se em conformidade com as diretivas CE aplicáveis.
	WEEE	Os produtos elétricos residuais não deverão ser eliminados juntamente com o lixo doméstico comum. Entregue-os num centro de reciclagem autorizado.
	Ruído	Nível de potência do som garantido. Emissão de ruído para o ambiente de acordo com a diretiva da Comunidade Europeia.
V	Volts	Tensão
mm	Milímetro	Comprimento ou tamanho
cm	Centímetro	Comprimento ou tamanho
in.	Polegada	Comprimento ou tamanho
kg	Quilograma	Peso

INSTRUÇÕES DE SEGURANÇA IMPORTANTES

⚠ AVISO: Quando se utilizarem aparadores de fio, devem adotar-se sempre medidas de segurança básicas para reduzir o risco de incêndio, de descargas elétricas e de lesões pessoais, incluindo o seguinte:

LEIA ATENTAMENTE ANTES DE UTILIZAR

GUARDE PARA FUTURA REFERÊNCIA

⚠ PERIGO: Não confie apenas no isolamento da ferramenta contra choques elétricos. Para reduzir o risco de eletrocussão, nunca utilize o aparelho perto de quaisquer fios ou cabos (eletricidade, etc.) que possam transportar corrente elétrica.

⚠ CUIDADO: Utilize equipamento de proteção auditiva adequada durante a utilização. Em algumas condições e durações de utilização, o ruído proveniente deste produto pode contribuir para a perda de audição.

Treino

- Leia estas instruções com atenção. Familiarize-se com todos os controlos e com a utilização correcta da máquina.
- Nunca permita que pessoas que não estejam familiarizadas com as instruções ou crianças utilizem o aparelho. Os regulamentos locais podem restringir a idade do utilizador.
- Tenha em conta que o operador ou utilizador é o responsável por acidentes ou perigos que ocorram a outras pessoas ou à sua propriedade.

Preparação

- Nunca utilize o aparelho com pessoas, especialmente crianças ou animais por perto.
- Utilize sempre proteção ocular e calçado resistente enquanto utiliza a máquina.
- A distância entre a máquina e terceiros deve ser de pelo menos 15 m.

Funcionamento

- Us e a máquina apenas à luz do dia ou com boa luz artificial.
- Nunca utilize a máquina com proteções danificadas ou sem as proteções montadas.
- Ligue o motor apenas quando as mãos e pés estiverem afastados de meios de corte.

PT

- Desligue sempre a máquina da alimentação (retire a ficha da tomada ou retire o dispositivo de desativação).
 - Sempre que deixa a máquina sem supervisão;
 - Antes de eliminar um bloqueio;
 - Antes de verificar, limpar ou trabalhar na máquina;
 - Após bater num objeto estranho;
 - Sempre que a máquina começa a vibrar anormalmente.
- Tenha cuidado para não se magoar nos pés nem nas mãos durante o corte.
- Certifique-se sempre de que as aberturas de ventilação são mantidas isentas de resíduos.

Manutenção e armazenamento

- Desligue a máquina da alimentação (retire a ficha da tomada ou retire o dispositivo de desativação) antes de efetuar quaisquer trabalhos de manutenção ou de limpeza.
- Utilize apenas peças sobressalentes e acessórios recomendados pelo fabricante.
- Inspeccione e efetue a manutenção da máquina com regularidade. A máquina apenas deve ser reparada por um reparador autorizado.
- Quando não em uso, armazene a máquina fora do alcance das crianças.

Avisos adicionais de segurança

- **Mantenha as crianças afastadas.** Todas as pessoas deverão ser mantidas a, pelo menos, 15 metros da área de trabalho.
- **Evite ambientes perigosos.** Não utilize o aparador em locais húmidos ou molhados.
- **Desligue sempre a roçadeira ou retire a bateria sempre que deixar a ferramenta sem supervisão.**
- **Não utilize à chuva.**
- **Vista-se adequadamente.** Não utilize roupa larga ou joias. Estas podem ficar presas em peças móveis. A utilização de luvas de borracha e calçado resistente é recomendada para trabalhos no exterior. Utilize uma proteção para segurar o cabelo comprido.
- **Utilize óculos de segurança.** Utilize sempre uma máscara ou máscara de pó se o funcionamento for poeirento.
- **Utilize a ferramenta correta.** Não utilize a ferramenta para outros trabalhos para além daqueles para que foi criada.
- **Não force a roçadeira.** Esta fará um trabalho melhor e com menos probabilidades de lesões se for usada à taxa para que foi criado.

- **Mantenha-se alerta e atento ao que está a fazer.** Utilize o senso comum. Não utilize o aparador quando estiver cansado.
- **Não utilize a roçadeira quando estiver sob a influência de álcool ou drogas.**
- **Mantenha as proteções no lugar e em bom estado de funcionamento.**
- **Mantenha as mãos e pés afastados da área de corte.**
- **Guarde a roçadeira no interior.** Quando não utilizar a roçadeira, deverá guardá-la no interior num local seco, alto ou trancado, com a bateria retirada e fora do alcance das crianças.
- **Mantenha a roçadeira em bom estado.** Mantenha o acessório de corte limpo para melhor desempenho e para reduzir o risco de lesões. Siga as instruções quanto à mudança de acessórios. Mantenha as pegas secas, limpas e sem óleo ou gordura.
- **Verifique se existem peças danificadas.** Antes de continuar a utilizar a roçadeira, uma proteção ou outra peça que esteja danificada deve ser cuidadosamente verificada, para determinar se irá funcionar adequadamente e desempenhar a sua suposta função. Verifique o alinhamento de peças móveis, ligação de peças móveis, fragmentação de peças, montagem e qualquer outra condição que possa afetar o seu funcionamento. Um protetor ou qualquer outra peça que esteja danificada deverá ser reparada adequadamente ou substituída por um centro de reparações autorizado, exceto se for indicado de outro modo neste manual de instruções.
- **Certifique-se de que todos os fixadores estão fixados no respetivo lugar. Certifique-se de que a proteção do acessório de corte está devidamente fixada e na posição recomendada pelo fabricante.**
- **Limpe a área a cortar antes de cada utilização.** Retire todos os objetos, como pedras, vidro partido, pregos, arames ou fios que possam ser atirados ou ficar presos no acessório de corte. Afaste as crianças, terceiros e animais. No mínimo, mantenha as crianças, outras pessoas e animais a um raio de 15 metros. Fora desta zona, poderá continuar a haver um risco para as pessoas, devido aos objetos que possam ser atirados. As outras pessoas deverão ser encorajadas a usar proteção ocular.
- **Segure sempre a roçadeira firmemente com as duas mãos nas pegas durante a utilização. Embulhe os dedos em redor das pegas.**
- **Evite um arranque accidental.** Nunca transporte a roçadeira com o dedo no gatilho.

- **Não utilize a roçadeira em atmosferas explosivas ou com produtos petrolíferos.** Os motores nestes aparelhos costumam criar faíscas e estas podem incendiar os vapores.
- **Danos na roçadeira:** Se bater num objeto estranho com a roçadeira ou se esta ficar emaranhada, pare imediatamente a ferramenta, retire a bateria, verifique se existem danos e leve o aparelho para ser reparado antes de tentar voltar a utilizá-lo. Não utilize com uma proteção ou lâmina partida.
- **Se a máquina começar a vibrar anormalmente, desligue o motor e verifique imediatamente as causas.** A vibração é habitualmente um aviso de problemas. Uma lâmina solta pode vibrar, rachar, partir ou soltar-se da roçadeira, o que pode dar origem a lesões sérias ou fatais. Certifique-se de que o acessório de corte é devidamente instalado e bem apertado. Se a lâmina se soltar após fixá-la, substitua-a imediatamente. Nunca utilize uma roçadeira com um acessório de corte solto.
- **Para reduzir o risco de lesões devido à perda de controlo, nunca trabalhe em cima de uma escada ou noutro suporte inseguro. Nunca segure o acessório de corte acima da altura da sua cintura.**
- **Mantenha sempre o equilíbrio.** Não se estique. Mantenha o acessório de corte abaixo do nível da cintura. Mantenha todas as partes do corpo afastadas do acessório de corte rotativo.
- Substitua imediatamente uma lâmina de corte rachada, danificada ou gasta, mesmo que o dano esteja limitado a rachas superficiais. Tais acessórios podem despedaçar-se a alta velocidade e causar lesões sérias ou até mesmo fatais.
- Verifique regularmente o acessório de corte durante a utilização, ou imediatamente após reparar nalguma alteração no comportamento de corte.
- **Se alguém se aproximar, desligue o motor e o acessório de corte. No caso de unidades com lâminas, existe o risco acrescido de as pessoas serem atingidas pela lâmina em movimento no caso de impulso da lâmina ou de outra reação inesperada da lâmina.**
- **Avise o operador do perigo de impulso da lâmina.**
 - O impulso da lâmina pode ocorrer quando a lâmina giratória entrar em contacto com um objeto que não corte imediatamente.
 - O impulso da lâmina pode ser suficientemente violento para fazer com que a unidade e/ou operador seja ressaltado em qualquer direção e possivelmente perca o controlo da unidade.

- O impulso da lâmina pode ocorrer sem aviso, caso a lâmina bata, fique presa ou limitada.
- O impulso é mais provável em áreas onde seja difícil ver o material a ser cortado.
- **Não fixe qualquer lâmina numa unidade sem a instalação adequada de todas as peças necessárias. Não usar as peças adequadas pode fazer com que a lâmina se solte e lesione seriamente o operador e/ou outras pessoas. Elimine as lâminas dobradas, torcidas, rachadas, partidas ou danificadas de algum modo. Use uma lâmina afiada. Uma lâmina que não esteja afiada pode prender e sofrer um ressalto.**
- **Uma lâmina solta pode causar lesões enquanto continua a girar após o motor parar ou libertar o gatilho. Mantenha o controlo adequado até que a lâmina pare de rodar por completo.**
- **Não carregue a bateria à chuva ou em condições húmidas.**
- Utilize apenas com baterias e carregadores listados em baixo:

BATERIA	CARREGADOR
BA1120E, BA2240E, BA2800	CH2100E CH5500E

- **A bateria tem de ser retirada do equipamento antes de ser eliminada.**
- **Não atire a bateria para o fogo.** As células podem explodir. Verifique as normas locais quanto a possíveis instruções especiais de eliminação.
- **Não abra, nem altere a bateria.** O eletrólito libertado é corrosivo e pode causar lesões nos olhos ou pele. Pode ser tóxico se engolido.
- **Tenha muito cuidado ao manusear as baterias, de modo a não colocá-las em curto-circuito com materiais condutores, como anéis, pulseiras e chaves.** A bateria ou o condutor podem sobreaquecer e causar queimaduras.
- **Peças de substituição** - Quando fizer reparações, utilize apenas peças sobressalentes idênticas da EGO. A utilização de outros acessórios pode aumentar o risco de lesões.
- **As ferramentas que funcionam a bateria não têm de ser ligadas a uma tomada elétrica; assim, estão sempre em estado de funcionamento.** Tenha cuidado com possíveis perigos quando o aparelho não estiver a funcionar. Tenha cuidado quando efetuar a manutenção ou reparações.
- **Retire ou desligue a bateria antes de reparar, limpar ou retirar material da roçadeira.**

- Não lave com uma mangueira. Evite que entre água no motor e nas ligações elétricas.
- Se ocorrerem situações que não sejam abrangidas por este manual, tenha cuidado e faça uso do bom senso. Contacte o centro de reparação da EGO para obter assistência.
- Guarde estas instruções. Consulte com frequência e utilize estas instruções para instruir outras pessoas sobre a forma de utilizar este equipamento. Se emprestar este aparelho, entregue também as instruções, para evitar uma má utilização do produto e possíveis lesões.

NOTA: CONSULTE O MANUAL DE INSTRUÇÕES DA SUA CABEÇA MOTORA PARA OBTER AS REGRAS DE SEGURANÇA ADICIONAIS ESPECÍFICAS.

ESPECIFICAÇÕES

Largura de corte	30 cm	
Velocidade sem carga	5000/6000 min ⁻¹	
Peso	1,82 kg	
Nível de potência do som medido L _{WA}	96,5 dB(A) K=1,88 dB(A)	
Nível da pressão do som no ouvido do operador L _{PA}	84,5 dB(A) K=3 dB(A)	
Nível de potência acústica garantido L _{WA} (medido de acordo com 2000/14/CE)	98 dB(A)	
Vibração a _n	Pega dianteira	2,8 m/s ² k=1,6 m/s ²
	Pega traseira	3,1 m/s ² k=1,6 m/s ²

- As definições apresentadas anteriormente são testadas e medidas equipadas com a cabeça motora PH1400E.
- O valor total declarado da vibração foi medido de acordo com um método de teste padrão e pode ser usado para comparar duas ferramentas;
- O valor total declarado da vibração também pode ser usado numa avaliação preliminar da exposição.

AVISO: A emissão de vibrações durante a utilização da ferramenta elétrica pode diferir do valor declarado em que a ferramenta é usada. De modo a proteger o utilizador, este deverá utilizar luvas e proteção auditiva nas condições atuais de utilização.

Lâmina recomendada

NOME DA PEÇA	NÚMERO DO MODELO
Lâmina da roçadeira	ABB1203

LISTA DE PEÇAS

NOME DA PEÇA	QUANTIDADE
Acessório de roçadeira	1
Conjunto da lâmina e cobertura	1
Proteção	1
Proteção (para usar APENAS com a sua roçadeira)	1
Chave hexagonal	1
Chave multifunções	1
Manual de funcionamento	1

DESCRIÇÃO

CONHEÇA O SEU ACESSÓRIO DE ROÇADEIRA (Imagem A)

1. Tampão da extremidade
2. Eixo da roçadeira
3. Proteção
4. Lâmina
5. Cobertura da lâmina
6. Fio da braçadeira
7. Parafuso vedante
8. Caixa do carroto
9. Orifício de fixação do eixo
10. Rebordo exterior
11. Chave multifunções
12. Chave sextavada
13. Proteção (para usar APENAS com a sua roçadeira)

AVISO: Nunca utilize o aparelho sem a proteção bem colocada. A proteção tem de estar sempre no aparelho para proteger o utilizador.

AVISO: Quando a ferramenta for usada como aparador de linha, equipado com uma cabeça de aparar, deverá montar o acessório de proteção. Não fazê-lo pode dar origem a uma linha de corte demasiado comprida e sobrecarga do motor.

MONTAR

AVISO: Se quaisquer peças estiverem danificadas ou em falta não utilize este produto até as peças serem substituídas. Utilizar este produto com peças danificadas ou em falta pode dar origem a lesões pessoais sérias.

AVISO: Não tente modificar este produto nem criar acessórios que não sejam recomendados para utilizar com este aparador de fio. Qualquer alteração ou modificação é considerada uma má utilização e pode dar origem a perigos, que podem levar a possíveis lesões pessoais sérias.

AVISO: Use sempre luvas resistentes quando instalar ou retirar a lâmina ou a proteção, ou fazer qualquer manutenção na lâmina. Tenha cuidado com a lâmina e proteja as suas mãos de lesões devido à lâmina.

AVISO: Não ligue à cabeça motora até que a montagem esteja completa. Se não o fizer, pode originar um arranque acidental e possíveis lesões pessoais sérias.

AVISO: A sequência correta de montagem do acessório da roçadeira é montar primeiro a proteção, depois a lâmina e finalmente a cabeça motora.

AVISO: Nunca utilize a ferramenta sem a proteção e a pega auxiliar com a barra montada firmemente no respetivo lugar. O não seguimento das instruções pode dar origem a lesões pessoais sérias.

MONTAGEM DA PROTEÇÃO

- Levante a cabeça da roçadeira e vire-a para baixo. Alinhe os dois orifícios de fixação na proteção com os dois parafusos pré-montados no quadro de fixação. Certifique-se de que a superfície interna da proteção fica virada para a cabeça da roçadeira (Imagem C).
- Fixe a proteção no lugar com os parafusos e a chave sextavada fornecida (Imagem D).

MONTAR A LÂMINA

- A lâmina é enviada com uma proteção. Antes de montar a lâmina na roçadeira, a proteção deverá ser retirada, libertando o fio da braçadeira do gancho na proteção (Imagem E).

Fig. E descrição das peças apresentada abaixo:

E-1	Gancho
E-2	Fio da braçadeira

- Rode o rebordo exterior para alinhar a ranhura no rebordo interior com o orifício de fixação do eixo na estrutura do carreto (Imagem F).

- Insira a chave sextavada fornecida nos orifícios alinhados para agir como estabilizador (Imagem G). Consulte a Imagem F e G em baixo para a descrição das peças:

F-1	Estrutura do carreto
F-2	Orifícios alinhados de bloqueio do eixo
F-3	Rebordo exterior
G-1	Estabilizador

- Coloque a cabeça da roçadeira contra uma superfície sólida para a suportar. Com uma mão a segurar o eixo da roçadeira, use a outra mão para segurar a chave multifunções fornecida para desapertar a porca na direção da seta assinalada no rebordo exterior, e retire a porca e o rebordo exterior. Guarde para voltar a montar (Imagem H).
- Monte a lâmina no eixo do motor, certificando-se de que a superfície da lâmina fica nivelada com a superfície da saliência do rebordo interior. Monte o rebordo exterior e a porca (Imagem I). Aperte à mão a porca no **SENTIDO INVERSO AO DOS PONTEIROS DO RELÓGIO**.

Fig. I descrição das peças apresentada abaixo:

I-1	Saliência do rebordo interior
I-2	Eixo do motor
I-3	Porca
I-4	Rebordo exterior
I-5	Lâmina

- Rode o rebordo exterior para alinhar a ranhura no rebordo interior com o orifício de fixação do eixo na caixa do carreto, e insira a chave sextavada fornecida nos orifícios alinhados para agir como estabilizador, conforme apresentado nos passos anteriores 2 e 3.
- Coloque a cabeça da roçadeira contra uma superfície sólida para a suportar. Com uma mão a segurar a lâmina, use a outra mão para segurar a chave multifunções fornecida para apertar a porca na direção oposta à direção da seta assinalada no rebordo exterior (Imagem J).

Utilização do acessório de proteção

AVISO: Quando a ferramenta for usada como aparador de linha, equipado com uma cabeça de aparar, deverá montar o acessório de proteção (Imagem K).

Fixe o acessório de proteção apertando os três parafusos com a chave sextavada fornecida. Não fazê-lo pode dar origem a uma linha de corte demasiado comprida e sobrecarga do motor.

PT

LIGAR O ACESSÓRIO DA ROÇADEIRA À CABEÇA MOTORA

Este acessório da roçadeira foi criado para ser usado com a cabeça motora EGO Power PH1400E.

Consulte a secção “**INSTALAR UM ACESSÓRIO NA CABEÇA MOTORA**” no manual de utilização da cabeça motora PH1400E.

PT

FUNCIONAMENTO

AVISO: Não deixe que a sua familiaridade com o produto o torne descuidado. Lembre-se, uma fração de segundo de desatenção é suficiente para infligir ferimentos graves.

AVISO: Utilize sempre proteções oculares com escudos laterais. Juntamente com proteção auditiva. O não cumprimento pode resultar na projeção de objetos para os olhos e outros possíveis ferimentos graves.

APLICAÇÕES

Pode utilizar este produto com os intuitos listados em baixo:

- Cortar erva, ervas daninhas, arbustos selvagens e mato, desbastar árvores jovens com um diâmetro máximo do caule de 2 cm.

AVISO: A ferramenta tem de ser usada apenas conforme descrito. Qualquer outra utilização será considerada má utilização.

USAR A ROÇADEIRA COM A CABEÇA MOTORA

AVISO: Vista-se adequadamente para reduzir o risco de lesões quando utilizar este aparelho. Não utilize roupa larga ou jóias. Use proteções oculares e auditivas. Use calças compridas e resistentes, mangas compridas, botas e luvas. Não utilize roupa curta, sandálias nem ande descalço.

Por razões de segurança e para um melhor funcionamento, coloque a alça para os ombros. Ajuste a alça numa posição de funcionamento confortável. Segure a roçadeira com uma mão na pega traseira e a outra mão na pega auxiliar dianteira. Agarre firmemente com ambas as mãos durante a utilização. Deve segurar a roçadeira numa posição confortável, mantendo a pega traseira sensivelmente à altura da anca. Mantenha a segurança e equilíbrio em ambos os pés.

Posicione-se de modo a não perder o equilíbrio devido a um ressalto da lâmina de corte (Imagem B).

AVISO: A alça para o ombro é também um mecanismo de libertação rápida em situações perigosas. Quando ocorre uma emergência, retire-a imediatamente do seu ombro, não importa o modo como a alça se encontra.

Para cortar arbustos selvagens e mato, baixe a lâmina rotativa até ao mato para obter um efeito de corte. Use a roçadeira como uma gadanha (deslize-a para a esquerda e para a direita) ao nível do chão. Não use o acessório de corte acima da altura da cintura.

AVISO: Quanto mais alto o acessório de corte estiver do chão, maior será o risco de lesões devido a ressaltos do material cortado.

AVISO: Quando cortar pequenas árvores ou outros materiais de madeira até 2 cm de diâmetro, use o lado esquerdo da lâmina para evitar possíveis ressaltos. Não tente cortar material de madeira com um diâmetro mais largo, pois a lâmina pode ficar presa ou atirar a roçadeira para a frente. Isto pode danificar a lâmina ou a roçadeira, ou fazer com que perca o controlo e sofra lesões pessoais.

AVISO: A utilização incorreta da lâmina da roçadeira pode fazer com que se rache, lasque ou estilhace.

As peças atiradas podem lesionar seriamente o operador ou terceiros. Para reduzir o risco de lesões pessoais, é essencial tomar as seguintes precauções:

- Evite o contacto com objetos estranhos duros ou sólidos, como pedras, rochas ou pedaços de metal.
- Nunca corte madeira nem arbustos com um caule com mais de 2 cm de diâmetro.
- Inspeccione regularmente a lâmina quanto a sinais de danos. Não continue a trabalhar com uma lâmina danificada.
- Afie a lâmina regularmente (quando notar que não está afiada) e leve-a para ser equilibrada, se necessário (efetuado por um técnico qualificado).

RESSALTO DA LÂMINA

Tenha muito cuidado quando usar a lâmina com esta unidade. O ressalto da lâmina é a reação que pode ocorrer quando uma lâmina a girar entra em contacto com algo que não consiga cortar. Este contacto pode fazer com que a lâmina pare durante um momento e lançar de repente a unidade para longe do objeto que atingiu. Esta reação pode ser violenta o suficiente para fazer com que o operador perca o controlo da unidade. O ressalto da lâmina pode ocorrer sem aviso, caso a lâmina bata, fique presa ou limitada. Isto é mais provável em áreas onde seja difícil ver o material a ser cortado. Para facilidade e segurança de corte, aproxime-se das ervas a serem cortadas com a roçadeira da direita para a esquerda. No caso de encontrar um objeto inesperado ou monte de madeira, esta prática pode minimizar a reação de ressalto da lâmina.

Antes de cada utilização, verifique se existem peças gastas ou danificadas.

Verifique a lâmina, proteção e pega auxiliar dianteira e substitua as peças rachadas, torcidas, dobradas ou danificadas de algum modo.

A extremidade da lâmina pode deixar de ficar afiada com o passar do tempo. Recomendamos que vire a lâmina para prolongar o tempo de vida da lâmina, e para a afiar periodicamente (efetuado por um técnico qualificado) ou substitua-a por uma lâmina nova quando necessário.

Limpe a roçadeira após cada utilização.

Consulte a secção **MANUTENÇÃO** para obter instruções de limpeza.

AVISO: Certifique-se de que a lâmina parou por completo antes de limpar ou afiar a roçadeira. O não seguimento das instruções pode dar origem a lesões pessoais sérias.

LIGAR/DESLIGAR A FERRAMENTA

Consulte a secção **“LIGAR/DESLIGAR A CABEÇA MOTORA”** no manual de utilização da cabeça motora PH1400E.

MANUTENÇÃO

AVISO: Antes de inspecionar, limpar ou reparar a unidade, pare o motor, espere que todas as peças móveis parem por completo e retire a bateria. O não seguimento destas instruções pode dar origem a lesões corporais sérias ou danos de propriedade.

AVISO: Quando fizer reparações, utilize apenas peças de substituição idênticas. A utilização de outras peças pode dar origem a perigos ou danos no produto. Para assegurar a segurança e bom funcionamento, todas as reparações deverão ser efetuadas por um técnico de reparação qualificado.

AVISO: Use sempre luvas resistentes quando instalar ou retirar a lâmina ou fazer qualquer manutenção na lâmina. Tenha cuidado com a lâmina e proteja as suas mãos de lesões devido à lâmina.

MANUTENÇÃO GERAL

Evite usar solventes quando limpar peças de plástico. Grande parte dos plásticos é susceptível a danos devido a vários tipos de solventes comerciais. Use panos limpos para retirar a sujidade, pó, óleo, gordura, etc.

LIMPEZA DA UNIDADE

- Retire a bateria.
- Após cada utilização, limpe os resíduos, obstruções ou relva na lâmina e na proteção com uma escova suave.
- Limpe a superfície da ferramenta com um pano limpo embebido numa solução neutra de sabão.
- Use uma pequena escova ou um pequeno aspirador para limpar as entradas de ar na estrutura traseira.
- Mantenha a área de trabalho livre de obstruções.

Quando a lâmina deixar de estar afiada, ambas as extremidades da lâmina deixam de estar afiadas. Leve-a para ser afiada por um técnico qualificado ou substitua-a por uma lâmina nova, conforme necessário.

SUBSTITUIÇÃO DA LÂMINA

AVISO: Uma lâmina gasta, rachada ou danificada pode partir, e os pedaços da lâmina danificada podem tornar-se projecteis perigosos. Os objetos atirados podem causar lesões sérias. Inspeccione regularmente a lâmina e não utilize a roçadeira com uma lâmina gasta ou danificada.

AVISO: Use proteção ocular adequada enquanto retira, afia ou instala a lâmina.

Para retirar a lâmina

1. Retirar a bateria.
2. Rode o rebordo exterior para alinhar a ranhura no rebordo interior com o orifício de fixação do eixo na caixa do carroto, e insira a chave sextavada fornecida nos orifícios alinhados para agir como estabilizador, conforme apresentado nos passos 2 e 3 na secção **“MONTAGEM DA LÂMINA”**.
3. Coloque a cabeça da roçadeira contra uma superfície sólida para a suportar. Com uma mão a segurar a lâmina, use a outra mão para segurar a chave multifunções fornecida para desapertar a porca na direção da seta assinalada no rebordo exterior, e retire a porca, o rebordo exterior e a lâmina gasta (Imagem L).
4. Verifique e substitua o rebordo interior e a cobertura do rebordo se estiverem gastos (Imagem M).

Consulte a Imagem M em baixo para a descrição das peças:

M-1	Eixo do motor
M-2	Rebordo interior
M-3	Cobertura do rebordo
M-4	Lâmina
M-5	Rebordo exterior
M-6	Porca
M-7	Ranhura no rebordo

5. Instale a lâmina nova no eixo do motor em sequência, conforme apresentado na Imagem M. Os detalhes apresentam os passos ensinados no passo 5, 6 e 7 na secção “MONTAGEM DA LÂMINA”.

LUBRIFICAÇÃO DOS CARRETOS DE TRANSMISSÃO

Os carretos de transmissão na caixa dos carretos têm de ser lubrificados periodicamente com lubrificante para carretos. Verifique o nível de lubrificação da caixa dos carretos a cada 50 horas de funcionamento, retirando o parafuso vedante na parte lateral da caixa.

Se não vir qualquer lubrificante nas partes laterais do carreto, siga os passos apresentados em baixo para atestar com lubrificante para carretos até 3/4 da capacidade.

Não encha completamente os carretos de transmissão.

1. Segure a roçadeira, certificando-se de que o parafuso vedante fica virado para cima (Imagem N).
2. Use a chave multifunções fornecida para desapertar e retirar o parafuso vedante.
3. Use uma seringa lubrificante (não incluída) para injetar algum lubrificante no orifício do parafuso.
4. Aperte o parafuso vedante após a injeção.

GUARDAR A UNIDADE

- Retire a bateria da ferramenta.
- Use luvas resistentes para limpar bem a ferramenta.
- Monte a proteção da lâmina para a guardar em segurança (Imagem O).
- Retire o acessório da roçadeira da cabeça motora e, se necessário, cubra a tampa da extremidade no terminal do eixo do acessório.
- Guarde a unidade num local seco, bem ventilado, trancado ou elevado, fora do alcance das crianças. Não armazene a unidade em cima ou perto de fertilizantes, gasolina ou outros químicos.

Proteção do ambiente



Não elimine o equipamento elétrico, o carregador da bateria e as baterias/ baterias recarregáveis juntamente com o lixo doméstico comum!

De acordo com a norma europeia 2002/19/UE, o equipamento elétrico e eletrónico que deixe de ser usado e de acordo com a norma europeia 2006/66/CE, as baterias gastas ou defeituosas têm de ser recolhidas em separado.

Se os equipamentos elétricos forem eliminados em aterros ou lixeiras, substâncias perigosas podem vazar para os lençóis freáticos e entrar na cadeia de alimentação, danificando a sua saúde e bem-estar.

DECLARAÇÃO DE CONFORMIDADE CE

Nós, EGO EUROPE GMBH

Wahlwiesenstrasse 1, D-71711 Steinheim an der Murr
Deutschland

Declara que o produto **acessório da roçadeira sem fios de ião e lítio de 56V BCA1200**, equipado com a cabeça motora PH1400E.

Se encontra em conformidade com as normas essenciais de segurança e saúde das seguintes diretivas:

2006/42/CE, 2014/30/UE, 2011/65/UE, 2000/14/CE

Normas e especificações técnicas relativas a:

EN ISO 11806-1, EN 60745-1, EN 55014-1, EN 55014-2

Nível de potência do som medido: 96,5 dB(A).

Nível de potência de som garantido: 98 dB(A).

Peter Melrose
Administrador da
EGO Europe GmbH

Dong Jianxun
Gestor de Qualidade da
Chervon

* (Representante autorizado da CHERVON e responsável pela documentação técnica)

01/12/2016

RESOLUÇÃO DE PROBLEMAS

PROBLEMA	CAUSA	SOLUÇÃO
A roçadeira não pega.	<ul style="list-style-type: none">■ A bateria não foi colocada na cabeça motora.■ Não existe contacto elétrico entre a cabeça motora e a bateria.■ A bateria está gasta.■ A alavanca de bloqueio e o gatilho não foram premidos em simultâneo.	<ul style="list-style-type: none">■ Fixe a bateria na cabeça motora.■ Retire a bateria, verifique os contactos e volte a instalar a bateria até ficar fixada no respetivo lugar.■ Carregue a bateria com carregadores EGO listados neste manual.■ Prima a alavanca de bloqueio e mantenha premida, depois prima o gatilho para ligar a roçadeira.
A roçadeira pára durante o corte.	<ul style="list-style-type: none">■ O motor está sobrecarregado.■ A bateria ou cabeça motora estão muito quentes.■ A bateria foi retirada da ferramenta.■ A bateria está gasta.	<ul style="list-style-type: none">■ O motor recupera quando a carga for retirada. Para um funcionamento contínuo, diminua a carga da cabeça motora.■ Deixe a bateria ou a cabeça motora arrefecer até que a temperatura atinja menos de 67 °C.■ Volte a colocar a bateria.■ Carregue a bateria com carregadores EGO listados neste manual.

PT

GARANTIA

POLÍTICA DE GARANTIA EGO

Por favor, visite o website egopowerplus.com para saber todos os termos e condições da política de garantia EGO.

LEGGERE TUTTE LE ISTRUZIONI!



LEGGERE IL MANUALE DI ISTRUZIONI

⚠️ Rischi residui! Le persone portatrici di dispositivi elettronici, ad esempio pacemaker, devono consultare il proprio medico prima di usare questo prodotto. L'utilizzo di apparecchi elettrici in prossimità di pacemaker cardiaci comporta il rischio di interferenze o malfunzionamento del pacemaker.

⚠️ AVVERTENZA! Per garantire sicurezza e affidabilità, tutte le riparazioni e sostituzioni devono essere eseguite da un tecnico qualificato.

SIMBOLI DI SICUREZZA

Lo scopo dei simboli di sicurezza è attirare l'attenzione dell'operatore su possibili pericoli. I simboli di sicurezza e le relative spiegazioni richiedono la massima attenzione e comprensione da parte dell'operatore. Le avvertenze espresse dai simboli, da sole, non eliminano tutti i rischi. Le istruzioni e le avvertenze non sostituiscono le adeguate misure di prevenzione contro gli incidenti.

⚠️ AVVERTENZA! Accertarsi di aver letto e compreso tutte le istruzioni di sicurezza in questo manuale, inclusi tutti i simboli di avvertenza come "PERICOLO", "AVVERTENZA" e "ATTENZIONE", prima di usare questo apparecchio. Il mancato rispetto di tutte le istruzioni elencate di seguito comporta il rischio di scossa elettrica, incendio e/o lesioni gravi.

SIGNIFICATO DEI SIMBOLI

⚠️ AVVERTENZA DI SICUREZZA: Indica **PERICOLO**, **AVVERTENZA** o **ATTENZIONE**. Può essere usato in combinazione con altri simboli.

⚠️ AVVERTENZA! L'uso di apparecchi elettrici può causare il lancio di oggetti estranei verso l'operatore, con il rischio di gravi lesioni agli occhi. Durante l'uso dell'apparecchio, indossare sempre occhiali protettivi o occhiali di sicurezza con protezioni laterali e, se necessario, una maschera facciale. Si consiglia di indossare una maschera di sicurezza con ampio campo visivo sopra gli occhiali o gli occhiali di sicurezza standard con protezioni laterali.

ISTRUZIONI DI SICUREZZA

Questa pagina illustra e descrive i simboli di sicurezza che possono comparire sul prodotto. Leggere, comprendere e seguire tutte le istruzioni sull'apparecchio prima di tentare di assemblarlo e ripararlo.

	Avvertenza di sicurezza	Indica un potenziale rischio di infortunio.
	Leggere il manuale di istruzioni	Per ridurre il rischio di infortunio, l'utente deve leggere e comprendere tutte le istruzioni prima di usare questo prodotto.
	Indossare protezioni per gli occhi	Durante l'uso del prodotto, indossare sempre occhiali protettivi o occhiali di sicurezza con protezioni laterali e una maschera facciale.
	Indossare protezioni per le orecchie	Il rumore emesso dall'apparecchio può danneggiare l'udito. Indossare sempre dispositivi di protezione dell'udito (tappi per orecchie o cuffie).
	Indossare protezioni per la testa	Indossare un casco di sicurezza omologato per proteggere la testa.
	Indossare guanti di sicurezza	Proteggere le mani con i guanti durante la manipolazione della sega e della catena. Guanti robusti e antiscivolo migliorano la presa e proteggono le mani dell'operatore.
	Indossare calzature di sicurezza	Indossare calzature di sicurezza antiscivolo durante l'uso di questo apparecchio.
	Ampiezza di taglio	Ampiezza di taglio max. del decespugliatore

	Fare attenzione al rischio di contraccolpo	Avvertire l'operatore del pericolo di contraccolpo della lama.
	Rimbalzo	Gli oggetti lanciati possono rimbalzare e causare danni o lesioni.
	Tenere lontane le altre persone	Assicurarsi che eventuali altre persone e animali rimangano ad almeno 15 m di distanza dall'apparecchio quando è in funzione.
	Non usare lame rotonde	Non installare lame rotonde.
	Non esporre alla pioggia	Non usare l'apparecchio in caso di pioggia e non lasciarlo all'aperto quando piove.
	CE	Questo prodotto è conforme alle direttive europee applicabili.
	RAEE	I prodotti elettrici non devono essere smaltiti insieme ai rifiuti domestici. Portarli presso un centro di riciclaggio autorizzato.
	Rumore	Livello di potenza sonora garantito. Emissione di rumore nell'ambiente conforme alla direttiva dell'Unione europea.
V	Volt	Voltaggio
mm	Millimetro	Lunghezza o dimensioni
cm	Centimetro	Lunghezza o dimensioni
in.	Pollice	Lunghezza o dimensioni
kg	Chilogrammo	Peso

ISTRUZIONI DI SICUREZZA IMPORTANTI

⚠ AVVERTENZA! Durante l'uso del decespugliatore è necessario rispettare alcune elementari norme di sicurezza per ridurre il rischio di incendio, scossa elettrica e infortunio, tra cui le seguenti:

LEGGERE ATTENTAMENTE PRIMA DELL'USO.

CONSERVARE PER RIFERIMENTO FUTURO.

⚠ PERICOLO! Non affidarsi esclusivamente all'isolamento dell'apparecchio contro le scosse elettriche. Per ridurre il rischio di folgorazione, non usare mai l'apparecchio in prossimità di fili o cavi (alimentazione, ecc.) che possono condurre corrente elettrica.

⚠ ATTENZIONE! Indossare adeguati dispositivi di protezione per le orecchie durante l'uso. In alcune circostanze e a seconda della durata di utilizzo, il rumore emesso da questo apparecchio può contribuire alla perdita dell'udito.

Formazione all'uso dell'apparecchio

- Leggere attentamente le istruzioni. Familiarizzare con tutti i comandi e l'uso corretto della macchina.
- Non fare mai utilizzare l'apparecchio a bambini o a persone che non conoscono bene come fare funzionare l'apparecchio. Normative locali possono limitare l'uso in base all'età.
- Tenere presente che l'operatore o utente è responsabile per incidenti o rischi causati ad altre persone o proprietà.

Preparazione

- Non azionare mai l'apparecchio se sono presenti persone, soprattutto bambini, o animali nelle vicinanze.
- Indossare sempre dispositivi di protezione per gli occhi e scarpe robuste durante l'uso dell'apparecchio.
- La distanza tra l'apparecchio e le altre persone presenti deve essere almeno 15 metri.

Funzionamento

- Usare l'apparecchio solo alla luce del giorno o con una buona illuminazione artificiale.
- Non usare l'apparecchio se la cuffia di protezione o altri dispositivi di sicurezza sono danneggiati o mancanti.
- Accendere il motore esclusivamente quando mani e piedi sono lontani dall'accessorio di taglio.

- Scollegare sempre l'apparecchio dalla fonte di alimentazione (ovvero estrarre la spina dalla presa di corrente o rimuovere il gruppo batteria):

- prima di lasciare l'apparecchio incustodito;
- prima di eliminare un'ostruzione;
- prima di controllare, pulire o eseguire lavori sull'apparecchio;
- dopo aver urtato un oggetto estraneo;
- se l'apparecchio comincia a vibrare in modo anomalo.

IT

- Fare attenzione a evitare lesioni a mani e piedi dovute all'accessorio di taglio.
- Verificare sempre che le aperture di ventilazione siano prive di detriti.

Manutenzione e conservazione

- Scollegare sempre l'apparecchio dalla fonte di alimentazione (ovvero estrarre la spina dalla presa di corrente o rimuovere il gruppo batteria) prima di effettuare qualsiasi operazione di manutenzione o pulizia.
- Usare esclusivamente accessori e parti di ricambio originali.
- Ispezionare l'apparecchio ed effettuare la manutenzione regolarmente. Affidare eventuali riparazioni dell'apparecchio esclusivamente a tecnici autorizzati.
- Quando non è in uso, riporre l'apparecchio fuori dalla portata dei bambini.

Avvertenze di sicurezza aggiuntive

- **Tenere i bambini a distanza** - Eventuali altre persone devono rimanere ad almeno 15 metri di distanza dall'area di lavoro.
- Evitare gli ambienti pericolosi - Non usare il decespugliatore in ambienti umidi o bagnati.
- **Spegner sempre il decespugliatore o rimuovere il gruppo batteria prima di lasciare l'apparecchio incustodito.**
- **Non usare l'apparecchio sotto la pioggia.**
- **Vestirsi adeguatamente** - Non indossare indumenti ampi o gioielli perché possono impigliarsi nelle parti in movimento. Si raccomanda l'uso di guanti in gomma e calzature robuste durante i lavori all'aperto. Indossare un copricapo per raccogliere i capelli lunghi.
- **Indossare occhiali di sicurezza** - Usare sempre una maschera facciale o antipolvere se l'ambiente è polveroso.

- **Usare l'apparecchio appropriato** - Non usare l'apparecchio per scopi diversi da quelli per cui è progettato.

- **Non forzare il decespugliatore** - Sarà più efficace e sicuro se usato al regime per cui è stato progettato.

- **Rimanere vigili** - Prestare attenzione al lavoro che si sta effettuando. Usare il buon senso. Non usare il decespugliatore se si è stanchi.

- **Non usare il decespugliatore se si è sotto l'effetto di droghe o alcol.**

- **Mantenere la cuffia di protezione dell'apparecchio installata e in buono stato.**

- **Tenere mani e piedi lontani dall'area di taglio.**

- **Conservare il decespugliatore in interni** - Quando non è in uso, conservare il decespugliatore in interni, in un luogo asciutto e elevato o chiuso a chiave, privo di batteria e fuori dalla portata dei bambini.

- **Mantenere il decespugliatore in buono stato** - Mantenere pulito l'accessorio di taglio per ottimizzare le prestazioni e ridurre il rischio di infortunio. Seguire le istruzioni relative alla sostituzione degli accessori. Tenere le impugnature asciutte, pulite e prive di olio e grasso.

- **Verificare l'assenza di componenti danneggiati** - Se la cuffia di protezione o un altro componente ha subito danni, ispezionarlo con attenzione per verificare che funzioni correttamente prima di usare nuovamente il decespugliatore. Verificare che le parti mobili non siano disallineate o piegate, che il telaio e i componenti non siano danneggiati e che non siano presenti altre condizioni suscettibili di compromettere il funzionamento del tagliasièpi. Se un dispositivo di protezione o un componente è danneggiato, deve essere riparato o sostituito da un centro di assistenza autorizzato, tranne se altrimenti specificato in questo manuale.

- **Assicurarsi che tutti i dispositivi di fissaggio siano installati e saldi. Assicurarsi che la cuffia di protezione sia fissata correttamente e posizionata come raccomandato dal costruttore.**

- **Sgombrare l'area da tagliare prima di ogni utilizzo.** Rimuovere oggetti come pietre, vetri rotti, chiodi, cavi o corde perché potrebbero venire lanciati o impigliarsi nell'accessorio di taglio. Tenere lontani dall'area di lavoro bambini, altre persone e animali. Tenere eventuali bambini, altre persone e animali ad almeno 15 m (50 ft) di distanza; oltre tale distanza permane tuttavia il rischio di lesioni alle altre persone dovute al lancio di oggetti. Si raccomanda di far indossare dei dispositivi di protezione per gli occhi a eventuali persone presenti.

- **Durante l'uso del decespugliatore, tenerlo sempre saldamente con entrambe le mani sull'impugnatura. Avvolgere le dita e i pollici intorno alle impugnature.**
- **Evitare l'avvio accidentale** - Non trasportare il decespugliatore con il dito sull'interruttore.
- **Non usare il decespugliatore in atmosfere esplosive o in presenza di gas.** Il motore di questo apparecchio genera scintille che possono incendiare i vapori infiammabili.
- **Danni all'apparecchio** - Se il decespugliatore urta un oggetto estraneo o se rimane incastrato, spegnere immediatamente l'apparecchio, rimuovere il gruppo batteria, verificare l'assenza di danni o procedere alla riparazione prima di usarlo nuovamente. Non usare il decespugliatore se un dispositivo di sicurezza o la lama sono danneggiati.
- **Se l'apparecchio inizia a vibrare in modo anomalo, arrestare il motore e individuare immediatamente la causa.** La vibrazione è generalmente sintomo di un problema. Una lama allentata può vibrare, incrinarsi, rompersi o staccarsi dal decespugliatore, comportando il rischio di lesioni gravi o mortali. Assicurarsi che l'accessorio di taglio sia installato correttamente e fissato saldamente. Se la lama si allenta dopo averla fissata, sostituirla immediatamente. Non usare mai il decespugliatore se l'accessorio di taglio è allentato.
- **Per ridurre il rischio di infortunio dovuto a perdite di controllo, non lavorare mai su scale o su altri supporti instabili. Non tenere mai l'accessorio di taglio sopra l'altezza della vita.**
- **Mantenere sempre una posizione salda e in equilibrio.** Non allungarsi eccessivamente. Tenere l'accessorio di taglio sotto il livello della vita. Mantenere tutte le parti del corpo lontane dall'accessorio di taglio in movimento.
- Sostituire immediatamente la lama se è incrinata, danneggiata o usurata, anche se il danno è limitato a incrinature superficiali. Ad alta velocità, gli accessori di taglio possono frantumarsi e causare lesioni gravi o mortali.
- Ispezionare l'accessorio di taglio a brevi e regolari intervalli durante l'uso o immediatamente dopo aver rilevato un evidente cambiamento nell'efficienza di taglio.
- **Se un'altra persona si avvicina, arrestare immediatamente il motore e l'accessorio di taglio. Le unità dotate di lama comportano il rischio aggiuntivo di lesioni per le persone presenti a causa dell'urto con la lama in movimento in caso di contraccolpo o altre reazioni improvvise della lama.**

- **Avverte l'operatore del pericolo di contraccolpo della lama.**
 - Il contraccolpo della lama può verificarsi quando la lama in movimento entra a contatto con un oggetto che non riesce a tagliare immediatamente.
 - Il contraccolpo della lama può essere così violento da spingere l'unità e/o l'operatore in qualsiasi direzione, causando la perdita di controllo dell'unità.
 - Il contraccolpo della lama può verificarsi senza preavviso se la lama si inceppa, si blocca o si piega.
 - Il contraccolpo può verificarsi maggiormente in aree in cui è difficile vedere il materiale da tagliare.
- **Non fissare alcuna lama all'unità senza aver installato correttamente tutti i componenti necessari. Il mancato utilizzo dei componenti corretti può causare il distacco della lama, con il conseguente rischio di lesioni per l'operatore e/o le persone presenti. Gettare lame piegate, deformate, incrinata, rotte o danneggiate in qualsiasi modo. Usare una lama affilata. Una lama smussata ha più probabilità di incepparsi e causare contraccolpi.**
- **La lama può causare lesioni anche dopo l'arresto del motore o il rilascio dell'interruttore a grilletto perché continua a ruotare. Mantenere il controllo dell'apparecchio finché la lama non si ferma completamente.**
- **Non ricaricare il gruppo batteria sotto la pioggia o in luoghi umidi.**
- Usare il decespugliatore esclusivamente con i gruppi batteria e caricabatteria elencati di seguito.

BATTERIA	CARICABATTERIA
BA1120E, BA2240E, BA2800	CH2100E CH5500E

- **Il gruppo batteria deve essere rimosso dall'apparecchio prima che sia smaltito.**
- **Non gettare la batteria nel fuoco perché le celle potrebbero esplodere.** Contattare le autorità locali per eventuali istruzioni di smaltimento specifiche.
- **Non aprire o mutilare la batteria.** Gli elettroliti rilasciati sono corrosivi e possono danneggiare gli occhi o la pelle o essere tossici se ingeriti.
- **Prestare attenzione durante la manipolazione delle batterie per evitare il contatto con materiali conduttivi come anelli, bracciale e chiavi.** La batteria o il conduttore possono surriscaldarsi e causare ustioni.

- **Parti di ricambio** - Durante la riparazione, usare esclusivamente parti di ricambio EGO identiche. L'uso di altri accessori aumenta il rischio di infortunio.
- **Gli apparecchi a batteria non hanno bisogno di essere collegati a un impianto elettrico; pertanto sono sempre in condizioni operative.** Tenere a mente i possibili rischi anche quando l'apparecchio non è in funzione. Prestare attenzione durante le operazioni di manutenzione o riparazione.
- **Rimuovere o scollegare il gruppo batteria prima di riparare, pulire o rimuovere materiale dal decespugliatore.**
- **Non pulire l'apparecchio con tubi per innaffiare; evitare le infiltrazioni d'acqua nel motore e nelle connessioni elettriche.**
- **In caso di situazioni non contemplate in questo manuale, agire con cautela e usare il buon senso. Contattare il centro di assistenza EGO per assistenza.**
- **Conservare queste istruzioni.** Consultarle frequentemente e usarle per istruire gli altri utenti dell'apparecchio. Se si presta questo apparecchio ad altre persone, allegare anche queste istruzioni per evitare l'uso errato dell'apparecchio e il rischio di infortunio.

NOTA: CONSULTARE IL MANUALE DI ISTRUZIONI DELL'UNITÀ MOTORE PER ULTERIORI AVVERTENZE DI SICUREZZA SPECIFICHE.

SPECIFICHE TECNICHE

Ampiezza di taglio	30 cm	
Velocità a vuoto	5000/6000 min ⁻¹	
Peso	1,82 kg	
Livello di potenza sonora misurato L _{WA}	96,5 dB(A) K=1,88 dB(A)	
Livello di pressione sonora a livello dell'orecchio dell'operatore L _{PA}	84,5 dB(A) K=3 dB(A)	
Livello di potenza sonora garantito L _{WA} (misurato conformemente a 2000/14/EC)	98 dB(A)	
Vibrazioni a _n	Impugnatura anteriore ausiliaria	2,8 m/s ² k=1,6 m/s ²
	Impugnatura posteriore	3,1 m/s ² k=1,6 m/s ²

- I parametri sopra riportati sono stati collaudati e misurati in combinazione con la testa motore PH1400E.
- Il valore totale di vibrazioni indicato è stato misurato tramite il metodo di collaudo standard e può essere utilizzato per confrontare l'apparecchio con altri prodotti analoghi.

- Il valore totale di vibrazioni indicato può essere utilizzato anche per una valutazione preliminare dei livelli di esposizione.

NOTA: L'emissione di vibrazioni durante l'uso effettivo dell'apparecchio può variare rispetto al valore indicato in base a come viene utilizzato l'utensile. Per proteggersi, l'operatore deve indossare guanti e dispositivi di protezione per le orecchie in base alle reali condizioni d'uso.

Lama raccomandata

DENOMINAZIONE DEL COMPONENTE	NUMERO MODELLO
Lama per decespugliatore a lama	ABB1203

CONTENUTO DELLA CONFEZIONE

DENOMINAZIONE DEL COMPONENTE	QUANTITÀ
Accessorio decespugliatore a lama	1
Set lama e coprilama	1
Cuffia di protezione	1
Accessorio per cuffia (SOLO per l'uso con la testa del decespugliatore a filo)	1
Chiave esagonale	1
Chiave multifunzione	1
Manuale di istruzioni	1

DESCRIZIONE

DESCRIZIONE DELL'ACCESSORIO DECESPUGLIATORE A LAMA (Fig. A)

1. Cappuccio terminale
2. Asta del decespugliatore
3. Cuffia di protezione
4. Lama
5. Coprilama
6. Cavi di fissaggio
7. Vite sigillante
8. Scatola degli ingranaggi
9. Foro di bloccaggio dell'asta
10. Flangia esterna
11. Chiave multifunzione
12. Chiave esagonale
13. Accessorio per cuffia (SOLO per l'uso con la testa del decespugliatore a filo)

AVVERTENZA! Non usare l'apparecchio se la cuffia di protezione non è posizionata correttamente e saldamente. La cuffia di protezione deve essere sempre installata per proteggere l'operatore.

AVVERTENZA! Quando l'utensile è utilizzato come decespugliatore a filo con apposita di testa di taglio, l'accessorio per cuffia deve essere montato sulla cuffia di protezione, per evitare un'eccessiva lunghezza del filo di taglio e il sovraccarico del motore.

ASSEMBLAGGIO

AVVERTENZA! In caso di componenti danneggiati o mancanti, non usare l'apparecchio finché i componenti non vengono sostituiti. L'uso dell'apparecchio con componenti danneggiati o mancanti comporta il rischio di lesioni gravi.

AVVERTENZA! Non tentare di modificare l'apparecchio o creare accessori non raccomandati per l'uso con questo decespugliatore. Tali alterazioni o modifiche costituiscono un uso improprio e comportano condizioni pericolose e il rischio di lesioni gravi.

AVVERTENZA! Indossare sempre i guanti durante l'installazione o la sostituzione della lama o della cuffia di protezione o durante le operazioni di manutenzione della lama. Fare attenzione alla lama e proteggere le mani dal rischio di lesioni.

AVVERTENZA! Non collegare l'unità motore finché l'assemblaggio non è terminato, per evitare l'avvio accidentale e il rischio di lesioni gravi.

ATTENZIONE! Rispettare la corretta sequenza di assemblaggio dell'accessorio decespugliatore a lama: fissare prima la cuffia di protezione, poi la lama, infine fissare l'apparecchio all'unità motore.

AVVERTENZA! Non usare l'apparecchio se la cuffia di protezione e l'impugnatura anteriore con barra di protezione non sono posizionate saldamente per evitare il rischio di lesioni gravi.

ASSEMBLARE LA CUFFIA DI PROTEZIONE

1. Sollevare la testa del decespugliatore e ruotarla verso il basso; allineare i due fori di montaggio sulla cuffia di protezione con i due bulloni preassemblati sulla piastra di fissaggio. Accertarsi che la superficie interna della cuffia di protezione sia rivolta verso la testa del decespugliatore (Fig. C).

2. Fissare la cuffia di protezione con i bulloni e la chiave esagonale fornita (Fig. D).

INSTALLAZIONE DELLA LAMA

1. La lama è protetta dal coprilama. Prima di installare la lama sul decespugliatore, rimuovere il coprilama rimuovendo il cavo di fissaggio dal gancio sul coprilama (Fig. E).

Descrizione delle parti in Fig. E:

E-1	Gancio
E-2	Cavo di fissaggio

2. Ruotare la flangia esterna per allineare la fessura nella flangia interna con il foro di bloccaggio dell'asta nella scatola degli ingranaggi (Fig. F).

3. Inserire la chiave esagonale fornita nei fori allineati come stabilizzatore (Fig. G).

Descrizione delle parti in Fig. F e G:

F-1	Scatola degli ingranaggi
F-2	Fori di bloccaggio dell'asta allineati
F-3	Flangia esterna
G-1	Stabilizzatore

4. Posizionare la testa del decespugliatore contro una superficie solida che lo supporti. Afferrare l'asta del decespugliatore con una mano, e con l'altra mano afferrare la chiave multifunzione fornita e allentare il dado nella direzione della freccia riportata sulla flangia esterna; quindi rimuovere il dado e la flangia esterna. Conservarli per il riassemblaggio (Fig. H).
5. Installare la lama sull'albero motore, assicurandosi che la superficie della lama sia a filo con la superficie della sporgenza della flangia interna. Proseguire installando la flangia esterna e il dado (Fig. I). Pre-serrare il dado a mano in senso **ANTIORARIO**.

Descrizione delle parti in Fig. I:

I-1	Sporgenza della flangia interna
I-2	Albero motore
I-3	Dado
I-4	Flangia esterna
I-5	Lama

6. Ruotare la flangia esterna per allineare la fessura nella flangia interna con il foro di bloccaggio dell'asta nella scatola degli ingranaggi, e inserire la chiave esagonale fornita nei fori allineati come stabilizzatore, come indicato nei precedenti passaggi 2 e 3.

7. Posizionare la testa del decespugliatore contro una superficie solida che lo supporti. Afferrare la lama con una mano, e con l'altra mano afferrare la chiave multifunzione fornita e serrare il dado nella direzione contraria rispetto alla freccia riportata sulla flangia esterna (Fig. J).

Utilizzo dell'accessorio per cuffia

ATTENZIONE! Quando l'utensile è utilizzato come decespugliatore a filo con apposita di testa di taglio, l'accessorio per cuffia deve essere montato sulla cuffia di protezione (Fig. K).

Fissare l'accessorio della cuffia sulla cuffia di protezione serrando le tre viti con la chiave esagonale fornita, per evitare un'eccessiva lunghezza del filo di taglio e il sovraccarico del motore.

COLLEGARE L'ACCESSORIO DECESPUGLIATORE ALL'UNITÀ MOTORE

Questo accessorio decespugliatore è progettato per l'uso con l'unità motore a batteria EGO LI-ION 56 volt PH1400E.

Consultare la sezione "INSTALLARE UN ACCESSORIO SULL'UNITÀ MOTORE" nel manuale di istruzioni dell'unità motore PH1400E.

FUNZIONAMENTO

AVVERTENZA! La familiarità con questo apparecchio non deve rendere l'operatore disattento. Anche un solo momento di disattenzione comporta il rischio di lesioni gravi.

AVVERTENZA! Indossare sempre occhiali di sicurezza con protezioni laterali. Indossare anche protezioni per le orecchie. Il mancato rispetto di questa istruzione comporta il rischio di oggetti proiettati verso gli occhi dell'operatore e altre lesioni gravi.

DESTINAZIONE D'USO

Questo prodotto può essere usato per gli scopi elencati di seguito.

- Tagliare erba, erbaccia, cespugli e pianticelle selvatiche e sfoltire giovani soprassuoli con stelo non superiore a 2 cm di diametro.

ATTENZIONE! Usare l'apparecchio esclusivamente per gli scopi previsti. Altri utilizzi sono da considerarsi uso improprio.

USARE L'ACCESSORIO DECESPUGLIATORE CON L'UNITÀ MOTORE

AVVERTENZA! Vestirsi adeguatamente per ridurre il rischio di infortunio durante l'uso dell'apparecchio. Non indossare indumenti ampi o gioielli. Indossare dispositivi di protezione per gli occhi/orecchie. Indossare pantaloni lunghi e pesanti, stivali e guanti. Non indossare pantaloni corti o sandali e non usare l'apparecchio a piedi nudi.

Per un funzionamento efficiente e sicuro, indossare la tracolla sulla spalla. Regolare la tracolla in una posizione operativa comoda. Tenere sempre il decespugliatore con una mano sull'impugnatura posteriore e l'altra mano sull'impugnatura ausiliaria anteriore. Mantenere una presa salda con entrambe le mani durante l'uso dell'apparecchio. Tenere il decespugliatore in una posizione confortevole con l'impugnatura posteriore all'altezza del fianco. Mantenere l'impugnatura e l'equilibrio su entrambi i piedi. Posizionarsi in modo da non perdere l'equilibrio in caso di contraccolpo della lama (Fig. B).

AVVERTENZA! La tracolla funziona anche da meccanismo di rilascio rapido in situazioni di pericolo. In caso di emergenza, sfilarla immediatamente dalla spalla, indipendentemente dalla sua modalità di fissaggio.

Per tagliare cespugli e pianticelle selvatiche, abbassare la lama in rotazione verso la pianticella per tagliarla. Usare il decespugliatore come una falce (facendolo dondolare verso destra e sinistra) a livello del terreno. Non usare l'accessorio di taglio sopra l'altezza della vita.

AVVERTENZA! Maggiore è la distanza dell'accessorio di taglio dal terreno, maggiore è il rischio di lesioni dovute ai residui di taglio lanciati lateralmente.

AVVERTENZA! Durante il taglio di giovani soprassuoli o altri materiali legnosi fino a 2 cm di diametro, usare il lato sinistro della lama per evitare il rischio di contraccolpo. Non tentare di tagliare materiali legnosi di diametro maggiore, perché la lama può incepparsi o spingere il decespugliatore in avanti. Ciò può danneggiare la lama o al decespugliatore o causare la perdita di controllo del decespugliatore con il rischio di lesioni.

AVVERTENZA! L'uso improprio della lama del decespugliatore può causarne l'incrinatura, la scheggiatura o la rottura.

Le parti lanciate possono ferire gravemente l'operatore o le persone presenti. Per ridurre il rischio di lesioni personali, è essenziale rispettare le precauzioni elencate di seguito.

- Evitare il contatto con oggetti estranei duri come pietre, sassi o pezzi di metallo.
- Non tagliare legno o cespugli con gambo di oltre 2 cm di diametro.
- Ispezionare la lama a brevi intervalli regolari per verificare che non sia danneggiata. Interrompere il lavoro se la lama è danneggiata.
- Riaffilare la lama regolarmente (se si è sensibilmente smussata) e farla equilibrare se necessario (l'operazione deve essere effettuata da un tecnico qualificato).

CONTRACCOLPO DELLA LAMA

Prestare particolare attenzione durante l'uso della lama con questa unità. Il contraccolpo della lama è una reazione che può verificarsi quando la lama in rotazione entra a contatto con un oggetto che non riesce a tagliare. Tale contatto può causare l'arresto momentaneo della lama, e un'improvvisa "spinta" dell'unità lontano dall'oggetto colpito. Tale reazione può essere così violenta da causare la perdita di controllo dell'unità. Il contraccolpo della lama può verificarsi senza preavviso se la lama si inceppa, si blocca o si piega. Il contraccolpo può verificarsi maggiormente in aree in cui è difficile vedere il materiale da tagliare. Per una taglio facile e sicuro, avvicinare il decespugliatore all'erba da tagliare da destra verso sinistra. Questa direzione di taglio può minimizzare la reazione di contraccolpo se il decespugliatore colpisce improvvisamente un oggetto o un pezzo di legno.

Prima di ogni utilizzo, verificare l'assenza di componenti danneggiati/usurati

Ispezionare la lama, la cuffia di protezione e l'impugnatura frontale ausiliaria e sostituire i componenti incrinati, deformati, piegati o danneggiati in qualsiasi modo.

Il bordo della lama può smussarsi col tempo. Si raccomanda di capovolgere la lama per estendere la durata di vita della lama, di affilarla periodicamente (l'operazione deve essere effettuata da un tecnico qualificato) o di sostituirla con una lama nuova quando necessario.

Pulire il decespugliatore dopo ogni utilizzo.

Consultare la sezione **MANUTENZIONE** per le istruzioni relative alla pulizia.

AVVERTENZA! Assicurarsi che la lama si sia fermata completamente prima di effettuare le operazioni di pulizia o manutenzione sul decespugliatore per evitare il rischio di lesioni gravi.

AVVIO/ARRESTO DELL'APPARECCHIO

Consultare la sezione "**AVVIO/ARRESTO DELL'UNITÀ MOTORE**" nel manuale di istruzioni dell'unità motore PH1400E.

MANUTENZIONE

AVVERTENZA! Prima di ispezionare, pulire o regolare l'unità, arrestare il motore, attendere che tutte le parti mobili si arrestino e rimuovere il gruppo batteria. Il mancato rispetto di questa avvertenza comporta il rischio di danni o lesioni gravi.

AVVERTENZA! Per la riparazione dell'apparecchio, usare esclusivamente parti di ricambio identiche. L'uso di altri ricambi comporta situazioni pericolose o il rischio di danni all'apparecchio. Per garantire sicurezza e affidabilità, tutte le riparazioni e sostituzioni devono essere eseguite da un tecnico qualificato.

AVVERTENZA! Indossare sempre i guanti durante l'installazione o la sostituzione della lama o durante le operazioni di manutenzione della lama. Fare attenzione alla lama e proteggere le mani dal rischio di lesioni.

MANUTENZIONE GENERALE

Evitare l'uso di solventi durante la pulizia delle parti in plastica. La maggior parte dei materiali plastici può essere danneggiata da diversi tipi di solventi in commercio. Usare un panno pulito per rimuovere sporcizia, polvere, olio, grasso, ecc.

PULIZIA DELL'APPARECCHIO

- Rimuovere la batteria
- Dopo ogni utilizzo, rimuovere detriti, terreno o erba dalla lama e dalla cuffia di protezione con una spazzola morbida.
- Pulire la superficie dell'apparecchio con un panno pulito inumidito con acqua saponata.
- Usare una piccola spazzola o un piccolo aspirapolvere per pulire le aperture di ventilazione sul rivestimento posteriore.
- Mantenere le aperture di ventilazione prive di ostruzioni.

Quando la lama diventa smussata ed entrambi i bordi della lama sono smussati, affilarla (l'operazione deve essere effettuata da un tecnico qualificato) o sostituirla con una lama nuova.

SOSTITUZIONE DELLA LAMA

AVVERTENZA! Una lama usurata, incrinata o danneggiata può rompersi, e i pezzi della lama danneggiata possono diventare proiettili pericolosi. Eventuali oggetti lanciati dall'apparecchio possono causare lesioni gravi. Ispezionare la lama regolarmente e non usare il decespugliatore con una lama usurata o danneggiata.

⚠ AVVERTENZA! Indossare protezioni per gli occhi adeguate durante la rimozione, l'affilatura e l'installazione della lama.

Rimuovere la lama

1. Rimuovere la batteria.
2. Ruotare la flangia esterna per allineare la fessura nella flangia interna con il foro di bloccaggio dell'asta nella scatola degli ingranaggi, e inserire la chiave esagonale fornita nei fori allineati come stabilizzatore, come indicato nei passaggi 2 e 3 della sezione **"INSTALLAZIONE DELLA LAMA"**.
3. Posizionare la testa del decespugliatore contro una superficie solida che lo supporti. Afferrare la lama con una mano, e con l'altra mano afferrare la chiave multifunzione fornita e allentare il dado nella direzione della freccia riportata sulla flangia esterna; quindi rimuovere il dado, la flangia esterna e la lama usurata (Fig. L).
4. Controllare e sostituire la flangia interna e la copertura della flangia se sono usurate (Fig. M).

Descrizione delle parti in Fig. M:

M-1	Albero motore	M-5	Flangia esterna
M-2	Flangia interna	M-6	Dado
M-3	Copertura della flangia	M-7	Fessura nella flangia
M-4	Lama		

5. Installare la nuova lama sull'albero motore nella sequenza illustrata in Fig. M. Per i dettagli, seguire i passaggi 5, 6 e 7 della sezione **"INSTALLAZIONE DELLA LAMA"**.

LUBRIFICAZIONE DEGLI INGRANAGGI DI TRASMISSIONE

Gli ingranaggi di trasmissione nella scatola degli ingranaggi devono essere lubrificati periodicamente con del grasso per ingranaggi. Controllare il livello del grasso della scatola degli ingranaggi ogni 50 ore di utilizzo rimuovendo la vite sigillante sul lato della scatola.

Se ai lati dell'ingranaggio non è visibile del grasso, seguire i passaggi riportati di seguito per riempirlo di grasso fino ai 3/4 della sua capacità.

Non riempire completamente gli ingranaggi di trasmissione.

1. Posizionare il decespugliatore in verticale affinché la vite sigillante sia rivolta verso l'alto (Fig. N).
2. Usare la chiave multifunzione fornita per allentare e rimuovere la vite sigillante.

3. Usare una siringa per grasso (non inclusa) per iniettare del grasso nel foro della vite.
4. Serrare la vite sigillante dopo il riempimento.

CONSERVAZIONE DELL'APPARECCHIO

- Rimuovere il gruppo batteria dall'apparecchio.
- Indossare guanti di protezione robusti durante la pulizia dell'apparecchio.
- Installare il coprilama sulla lama per sicurezza (Fig. O).
- Rimuovere l'accessorio decespugliatore dall'unità motore e posizionare il cappuccio terminare sull'estremità dell'asta dell'accessorio, se necessario.
- Conservare l'apparecchio in un luogo asciutto, ben ventilato, elevato o chiuso a chiave, e fuori dalla portata dei bambini. Non conservare l'apparecchio sopra o in prossimità di fertilizzanti, benzina o altre sostanze chimiche.

Protezione dell'ambiente



Non smaltire gli apparecchi elettrici, caricabatteria e batterie/batterie ricaricabili insieme ai rifiuti indifferenziati!

Conformemente alle direttive europee 2012/19/EU e 2006/66/CE, i rifiuti di apparecchiature elettriche ed elettroniche, pile e accumulatori devono essere raccolti separatamente e smaltiti nel rispetto dell'ambiente.

Se gli apparecchi elettrici vengono smaltiti nelle discariche, le sostanze pericolose possono infiltrarsi nelle falde acquifere e contaminare la catena alimentare, con effetti dannosi sulla salute e il benessere.

DICHIARAZIONE DI CONFORMITÀ CE

Il costruttore, EGO EUROPE GMBH

Wahlwiesenstrasse 1, D-71711 Steinheim an der Murr
Deutschland

dichiara che l'accessorio **tagliasiepi telescopico motore a batteria li-ion 56 V BCA1200** dotato di unità motore PH1400E

è conforme ai requisiti essenziali relativi a salute e sicurezza fissati dalle seguenti direttive europee:

2006/42/EC, 2014/30/EU, 2011/65/EU, 2000/14/EC

Standard e specifiche tecniche conformi a:

EN ISO 11806-1, EN 60745-1, EN 55014-1, EN 55014-2

Livello di potenza sonora misurato: 96,5 dB(A),

Livello di potenza sonora garantito: 98 dB(A)

IT

Peter Melrose
Direttore responsabile di
EGO Europe GmbH

Dong Jianxun
Responsabile Qualità
Chervon

** (Rappresentante autorizzato per CHERVON e responsabile della documentazione tecnica)

01/12/2016

RISOLUZIONE DEI PROBLEMI

PROBLEMA	CAUSA	SOLUZIONE
Il decespugliatore non si avvia.	<ul style="list-style-type: none">■ Il gruppo batteria non è installato sull'unità motore.■ Nessun contatto elettrico tra l'unità motore e il gruppo batteria.■ Il gruppo batteria è scarico.■ La leva di sbloccaggio e l'interruttore a grilletto non sono stati premuti contemporaneamente.	<ul style="list-style-type: none">■ Installare il gruppo batteria sull'unità motore.■ Rimuovere la batteria, ispezionare i contatti e reinstallare il gruppo batteria.■ Ricaricare il gruppo batteria con i caricabatteria EGO elencati in questo manuale.■ Tenere premuta la leva di sbloccaggio contemporaneamente all'interruttore a grilletto.
Il decespugliatore si arresta durante il taglio.	<ul style="list-style-type: none">■ Il motore è sovraccarico.■ Il gruppo batteria o l'unità motore sono troppo caldi.■ Il gruppo batteria non è installato sul decespugliatore.■ Il gruppo batteria è scarico.	<ul style="list-style-type: none">■ Il motore si riavvierà alla rimozione del carico. Per l'uso continuo, diminuire il carico sull'unità motore.■ Attendere che la temperatura del gruppo batteria o dell'unità motore scenda al di sotto di 67°C (152°F).■ Reinstallare il gruppo batteria.■ Ricaricare il gruppo batteria con i caricabatteria EGO elencati in questo manuale.

IT**GARANZIA****CONDIZIONI DELLA GARANZIA EGO**

Visitare il sito web egopowerplus.com per consultare le condizioni complete della garanzia EGO.

LEES ALLE INSTRUCTIES!



LEES DE GEBRUIKERSHANDLEIDING

⚠ Restrisico! Personen met elektronische apparaten, zoals pacemakers, moeten eerst hun art(sen) raadplegen voordat ze dit product mogen gebruiken. De werking van een elektrisch apparaat in de nabijheid van een pacemaker kan een storing of defect aan de pacemaker veroorzaken.

⚠ WAARSCHUWING: Om een continue veiligheid en betrouwbaarheid te waarborgen, dienen alle reparaties en vervangingen van onderdelen uitgevoerd te worden door een vakbekwame reparateur.

VEILIGHEIDSSYMBOLEN

Het doel van de veiligheidssymbolen is om u te wijzen op mogelijke gevaren. Besteed daarom voldoende aandacht hieraan en begrijp de veiligheidssymbolen en bijbehorende uitleg. De symboolwaarschuwingen op zich elimineren geen enkel gevaar. De gegeven instructies en waarschuwingen gelden niet als vervanging voor gepaste voorzorgsmaatregelen tegen ongevallen.

⚠ WAARSCHUWING: Lees en begrijp alle veiligheidsinstructies die in deze gebruikershandleiding zijn vermeld, waaronder alle veiligheidssymbolen zoals “**GEVAAR**”, “**WAARSCHUWING**”, en “**OPGELET**” voordat u dit apparaat in gebruik neemt. Het negeren van onderstaande instructies kan leiden tot elektrische schokken, brand en/of ernstig persoonlijk letsel.

BETEKENIS VAN DE SYMBOLEN

⚠ WAARSCHUWINGSSYMBOL: Geeft **GEVAAR**, **WAARSCHUWING** of **OPGELET** aan. Kan worden gebruikt in combinatie met andere symbolen of pictogrammen.



⚠ WAARSCHUWING: De werking van het apparaat kan leiden tot het rondslingeren van (vreemde) objecten die in uw ogen kunnen terechtkomen. Dit kan leiden tot ernstig oogletsel. Wanneer u elektrische apparaten gebruikt, zorg er dan voor dat u altijd een veiligheidsbril (met zijschermen) of een gelaatsscherm draagt. We bevelen aan om een gelaatsscherm over uw bril of standaard veiligheidsbril met zijschermen te gebruiken.

VEILIGHEIDSVORSCHRIFTEN

Deze pagina toont en beschrijft alle veiligheidssymbolen die zich op dit product kunnen bevinden. Lees, begrijp en volg alle instructies op de machine voordat u deze in elkaar zet en gebruikt.

	Veiligheidswaarschuwing	Geeft een risico op persoonlijk letsel aan.
	Lees de gebruikershandleiding	De gebruiker dient de gebruikershandleiding voor het gebruik van dit product te lezen en te begrijpen om risico op letsel te beperken.
	Draag oogbescherming	Draag altijd een veiligheidsbril met zijschermen en een gelaatsscherm als u dit product gebruikt.
	Draag oorbescherming	Het geluid van de zaag met paal kan uw gehoor beschadigen. Draag altijd gehoorbescherming (oordopjes of geluiddempers) om uw gehoor te beschermen.
	Draag hoofdbescherming	Draag een goedgekeurde veiligheidshelm om uw hoofd te beschermen.
	Draag beschermende handschoenen	Bescherm uw handen met handschoenen bij de omgang met zaag en zaagketting. Robuuste, niet glijdende handschoenen verbeteren uw grip en beschermen uw handen.
	Draag veiligheidschoenen	Draag slipvrije veiligheidschoenen als u dit apparaat gebruikt.
	Snijbreedte	De max. snijbreedte van de bosmaaier

NL

	Houd rekening met de druk van het mes	Waarschuw de gebruiker voor gevaar door de druk van het mes.
	Afketsen	Vliegende voorwerpen kunnen terugkaatsen wat tot persoonlijk letsel en materiële schade kan leiden.
	Houd omstanders uit de buurt	Zorg dat andere personen en huisdieren zich op minstens 15m van de bosmaaier bevinden wanneer in gebruik.
	Geen rond mes	Installeer geen ronde messen.
	Niet aan regen blootstellen	Gebruik het apparaat niet in de regen en laat het tevens niet buiten achter als het regent.
	CE	Dit product is in overeenstemming met de EG-richtlijnen.
	WEEE	Gooi elektrisch afval niet via het huishoudelijk afval weg. Breng het naar een geautoriseerd recyclingbedrijf.
	Geluidniveau	Gewaarborgd geluidsvermogensniveau. Geluidsemisatie voor de omgeving in overeenstemming met de richtlijnen van de Europese Unie.
V	Volt	Spanning
mm	Millimeter	Lengte of afmeting
cm	Centimeter	Lengte of afmeting
in.	Duim	Lengte of afmeting
kg	Kilogram	Gewicht

BELANGRIJKE VEILIGHEIDSLINSTRUCTIES

⚠ WAARSCHUWING: Tijdens het gebruik van grastrimmers, moeten de volgende standaard veiligheidsmaatregelen worden genomen om het risico op brand, elektrische schokken en persoonlijk letsel te vermijden:

LEES GRONDIG VOOR GEBRUIK

BEWAAR VOOR LATERE RAADPLEGING

⚠ GEVAAR: Vertrouw niet op de isolatie van het gereedschap om elektrische schokken te voorkomen. Om het risico op elektrocutie te beperken, bedien de machine nooit in de buurt van bedrading of kabels (voeding, etc.) die onder elektrische stroom staan.

⚠ OPGELET: Draag gepaste persoonlijke gehoorbescherming tijdens gebruik. In bepaalde omstandigheden en afhankelijk van de gebruiksduur kan het lawaai dat dit product produceert tot gehoorverlies leiden.

Opleiding

- Lees de instructies aandachtig door. Maak u vertrouwd met de bedieningsknoppen en het juiste gebruik van de machine.
- Kinderen of personen die de instructies niet kennen mogen dit apparaat niet gebruiken. De lokale wetgeving kan de leeftijd van de bediener begrenzen.
- Onthoud dat de bediener of gebruiker verantwoordelijk is voor ongevallen of gevaren die zich bij ander personen of hun eigendommen voordoen.

Vorbereiding

- Gebruik de machine nooit als er zich mensen, in het bijzonder kinderen of huisdieren, in de buurt bevinden.
- Draag altijd oogbescherming en stevige schoenen wanneer de machine in werking is.
- De afstand tussen de machine en de omstanders mag niet minder dan 15m zijn.

Gebruik

- Gebruik de machine alleen bij daglicht of voldoende kunstmatig licht.
- Gebruik de machine nooit met beschadigde schermen of zonder dat de schermen gemonteerd zijn.
- Schakel de motor alleen in wanneer uw handen en voeten zich uit de buurt van het snijelement bevinden.

- Ontkoppel altijd de machine van de voeding (d.w.z. haal de stekker uit het stopcontact of verwijder het ontkoppelingsmechanisme),
 - wanneer de machine zonder toezicht wordt achtergelaten;
 - voor het verwijderen van een verstopping;
 - voor het controleren, reinigen of onderhouden van de machine;
 - na het raken van een vreemd voorwerp;
 - telkens de machine overmatig trilt.
- Zorg dat u geen letsel oploopt aan uw handen en voeten door het snijelement
- Zorg dat de ventilatieopeningen altijd vrij van vuil zijn.

Onderhoud en opslag

- Ontkoppel altijd de machine van de voeding (d.w.z. haal de stekker uit het stopcontact of verwijder het ontkoppelingsmechanisme) alvorens schoon te maken of te onderhouden.
- Gebruik alleen reserve-onderdelen of accessoires die door de fabrikant zijn aanbevolen.
- Controleer en onderhoud de machine regelmatig. Laat de machine alleen door een erkende reparateur repareren.
- Wanneer niet in gebruik, berg de machine op buiten het bereik van kinderen.

Andere veiligheids waarschuwingen

- **Houd kinderen uit de buurt** – Alle omstanders moeten zich op minstens 50 feet (15 meter) afstand van het werkgebied bevinden.
- **Vermijd gevaarlijke omgevingen** – Gebruik de trimmer niet in een vochtige of natte omgeving.
- **Schakel de bosmaaier altijd uit of verwijder het accupack wanneer u de gereedschap zonder toezicht achterlaat.**
- **Gebruik de machine niet als het regent.**
- **Draag gepaste kleding** - Draag geen loshangende kleding of juwelen. Deze kunnen in de bewegende onderdelen vast komen te zitten. Rubber handschoenen en stevig schoeisel worden aanbevolen wanneer u buitenshuis werkt. Bedek lang haar met een haarnet.
- **Gebruik een veiligheidsbril** – Gebruik altijd een gezichts- of stofmasker als u in een stoffige omgeving werkt.
- **Gebruik het gepaste gereedschap** - Gebruik het gereedschap alleen waarvoor het is bedoeld.

- **Forceer de bosmaaier niet** - De taak zal beter uitgevoerd worden en met minder kans op letsel als het apparaat wordt gebruikt aan de snelheid waarvoor het ontworpen is.
- **Blijf aandachtig** – Let op wat u doet. Gebruik uw gezond verstand. Gebruik de grastrimmer niet als u moe bent.
- **Gebruik de bosmaaier niet als u onder de invloed van alcohol of drugs bent.**
- **Houd de schermen op hun plaats en in een goede staat.**
- **Houd handen en voeten uit de buurt van het snijbereik.**
- **Berg de bosmaaier binnenshuis op** - Berg de bosmaaier op in een droge, hoge of vergrendelde ruimte met het accupack verwijderd, en buiten het bereik van kinderen wanneer niet in gebruik.
- **Draag zorg voor uw bosmaaier** - Houd het snijelement schoon voor de beste prestaties en om het risico op letsel te beperken. Volg de instructies over het vervangen van accessoires. Houd de handvatten droog, schoon en vrij van olie en smeervet.
- **Controleer op beschadigde onderdelen** - Voordat u de beschadigde bosmaaier een scherm of een ander beschadigd onderdeel verder gebruikt, controleer deze grondig om na te gaan of het gereedschap juist zal werken en zijn bedoelde functie zal uitvoeren. Controleer op de uitlijning van de bewegende onderdelen, de verbinding van de bewegende onderdelen, breuk van onderdelen of andere condities die de werking kunnen beïnvloeden. Laat een beschadigd scherm of ander onderdeel op een juiste wijze repareren of vervangen door een bevoegd servicecentrum tenzij anders aangegeven in deze gebruiksaanwijzing.
- **Zorg ervoor dat alle bevestigingen op hun plek zitten en vast zijn. Zorg ervoor dat het scherm van het snij-accessoire correct is bevestigd en op de door de fabrikant aangeraden positie zit.**
- **Voor gebruik, verwijder alle mogelijke obstakels uit de te maaien zone.** Verwijder voorwerpen zoals rotsen, gebroken glas, nagels, draad of koorden, die opgegooid kunnen worden of in het snij-accessoire terecht kunnen komen. Zorg dat er zich geen kinderen, omstanders of huisdieren in de omgeving bevinden. Houd kinderen, omstanders en dieren op minstens 15 m (50 ft) afstand; buiten de zone van 15 m (50 ft) bestaat nog altijd een risico op letsel door rondvliegende objecten. Omstanders worden aangespoord om oogbescherming te dragen.

- **Houd de bosmaaier altijd stevig vast, met beide handen op de handvatten, wanneer in werking. Sla uw vingers en duimen om de handvatten.**
- **Voorkom ongewenst starten** – Draag de bosmaaier niet met uw vingers op de trekker.
- **Gebruik de bosmaaier niet in een explosieve atmosfeer of in een ruimte waar benzine aanwezig is.** De motor in dit apparaat kan vonken produceren. Deze vonken kunnen dampen in brand steken.
- **Schade aan de bosmaaier** – Als u een vreemd voorwerp met de bosmaaier raakt of als de bosmaaier vast komt te zitten, schakelt u het gereedschap onmiddellijk uit, controleert het op schade en laat het gereedschap repareren voordat u het opnieuw gebruikt. Gebruik het apparaat niet met een beschadigd scherm of mes.
- **Als het gereedschap abnormaal trilt, stop de motor en zoek onmiddellijk naar de oorzaak.** Trilling wijst vaak op een storing. Een los mes kan trillen, barsten, breken of van de bosmaaier los komen, wat tot ernstig letsel of de dood kan leiden. Zorg dat het snij-accessoire juist is geïnstalleerd en veilig is vastgemaakt. Als het mes na bevestiging op de juiste positie loskomt, vervang het onmiddellijk. Gebruik nooit een bosmaaier met een los snij-accessoire.
- **Om het risico op letsel door controleverlies te voorkomen, werk nooit op een lader of andere onveilige steun. Houd het snij-accessoire nooit boven uw middel.**
- **Handhaaf een stevige houding en houd uw evenwicht.** Leun niet te ver naar één kant. Houd het toebehoor onder heupniveau. Houd alle lichaamsdelen uit de buurt van het draaiende snij-accessoire.
- Vervang een gebarsten, beschadigde of versleten mes onmiddellijk, zelfs al is de schade beperkt tot oppervlakkige barstjes. Zulke accessoires kan tegen hoge snelheid uiteenspatten en tot ernstig letsel of de dood leiden.
- Controleer het snij-accessoire regelmatig tijdens de werking of onmiddellijk na een duidelijke wijziging in de snijprestaties.
- **Als iemand in de buurt komt, stop de motor en het snij-accessoire. In geval van apparaten met mes, bestaat er nog een risico op letsel voor omstanders omdat ze kunnen worden geraakt door het bewegende mes als het mes terugkaatst of onverwacht reageert.**
- **Waarschuw de gebruiker voor gevaar door de druk van het mes.**
 - Een terugkaatsen van het mes kan gebeuren als het draaiende mes contact heeft met een voorwerp dat niet direct kan worden gesneden.
 - Het terugkaatsen van het mes kan ernstig genoeg zijn om het apparaat en/of de gebruiker in een willekeurige richting te slingeren, waardoor de controle over het apparaat kan worden verloren.
 - Het terugkaatsen van het mes kan zonder waarschuwing gebeuren als het mes ergens aan vast blijft hangen, afslaat of vast raakt.
 - Het terugkaatsen van het mes gebeurt eerder in een gebied waar het moeilijk te zien is, welk materiaal wordt gesneden.
- **Bevestig geen mes aan een eenheid zonder een correcte installatie van alle benodigde onderdelen. Door niet de juiste onderdelen te gebruiken, kan het mes eraf vliegen en ernstig letsel veroorzaken bij de gebruiker en/of omstanders. Verwijder gebogen, vervormde, gescheurde, gebroken of op welke manier dan ook beschadigde messen. Gebruik een scherp mes. Een bot mes raakt eerder klem en kaatst terug.**
- **Een mes met naloop kan letsel veroorzaken terwijl het nog verder draait nadat de motor is uitgeschakeld of de schakelaar is losgelaten. Zorg voor een goede controller totdat het mes compleet stil staat.**
- **Laad het accupack niet op als het regent of in een natte omgeving.**
- Gebruik het gereedschap alleen met onderstaand vermelde accupacks en laders:

BATTERIJ	LADER
BA1120E, BA2240E, BA2800	CH2100E CH5500E
- **Haal het accupack uit het apparaat alvorens het apparaat af te danken.**
- **Gooi het accupack niet in vuur.** De cellen kunnen ontploffen. Raadpleeg de lokale wetgeving voor eventuele speciale verwijderingsvoorschriften.
- **Open of beschadig de batterij niet.** Vrijgekomen elektrolyt is corrosief en kan schade aan de ogen en huid veroorzaken. Het kan giftig zijn wanneer het wordt ingeslikt.
- **Wees voorzichtig wanneer u accupacks gebruikt. Sluit het accupack nooit kort met geleidende materialen zoals ringen, armbanden of sleutels.** Het accupack of de geleider kan oververhitten en brandwonden veroorzaken.

- **Reserveonderdelen** - Bij reparatie mag u uitsluitend identieke EGO vervangende onderdelen gebruiken. Het gebruik van andere accessoires of opzetstukken kunnen het risico op letsel verhogen.
- **Accugereedschap moet niet op een stopcontact worden aangesloten en kan aldus altijd onmiddellijk gebruikt worden.** Let voor mogelijke gevaren, zelfs wanneer het gereedschap niet in werking is. Let op wanneer u onderhoud op het gereedschap uitvoert.
- **Verwijder of ontkoppel de accu voor onderhoud, reiniging of verwijdering van vastzittend materiaal uit de bosmaaier.**
- **Reinig het gereedschap niet met een slang. Zorg dat de motor of elektrische componenten niet met water in aanraking komen.**
- **Als er zich situaties voordoen die niet in deze handleiding zijn behandeld, gebruik uw gezond verstand. Neem contact op met het EGO klantenservice als u hulp nodig heeft.**
- **Bewaar deze handleiding.** Raadpleeg de gebruikershandleiding indien nodig en gebruik deze om andere personen die dit apparaat zullen gebruiken te onderrichten. Als u dit apparaat aan iemand anders geeft, geef hem/haar dan in ieder geval ook de gebruikershandleiding mee om verkeerd gebruik en/of mogelijk letsel te voorkomen.

OPMERKING: KIJK IN DE GEBRUIKSAANWIJZING VAN DE BASIS MACHINE VOOR AANVULLENDE SPECIFIEKE VEILIGHEIDSLINSTRUCTIES.

SPECIFICATIES

Snijbreedte	30 cm	
Snelheid zonder belasting	5000/6000 min ⁻¹	
Gewicht	1,82 kg	
Gemeten geluidsvermogensniveau L _{wa}	96,5 dB(A) K=1,88 dB(A)	
Geluidsdruk niveau aan het oor van de bediener L _{pa}	84,5 dB(A) K=3 dB(A)	
Gegarandeerd geluidsvermogensniveau L _{wa} (gemeten volgens 2000/14/EG)	98 dB(A)	
Vibratie a _h	Voorste handvat	2,8 m/s ² K=1,6 m/s ²
	Achterste handvat	2,8 m/s ² K=1,6 m/s ²

- De bovengenoemde parameters werden getest en gemeten met de basis machine PH1400E;

- De opgegeven totale vibratiewaarde is gemeten volgens de standaard testmethode en kan worden gebruikt om het apparaat met een ander apparaat te vergelijken;
- De opgegeven totale vibratiewaarde kan ook worden gebruikt in een voorafgaande beoordeling op blootstelling.

MEDEDELING: De vibratie-afgifte tijdens het werkelijk gebruik van het elektrisch gereedschap kan verschillen van de opgegeven totale waarde; Om de bediener te beschermen dient de gebruiker tijdens het gebruik handschoenen en gehoorbescherming te dragen.

Aanbevolen mes

NAAM ONDERDEEL	MODELNUMMER
Bosmaaier mes	ABB1203

NL

INHOUD VAN DE VERPAKKING

NAAM ONDERDEEL	AANTAL
Multitool bosmaaier accessoire	1
Mes en mesbeschermingsset	1
Scherm	1
Beschermingsaccessoire (voor als de tapcut maalkop ALLEEN wordt gebruikt)	1
Inbussleutel	1
Multifunctionele sleutel	1
Gebruikershandleiding	1

BESCHRIJVING

KEN UW BOSMAAIER ACCESSOIRE (afb. A)

1. Einddop
2. Bosmaaier schacht
3. Scherm
4. Blad
5. Mesbescherming
6. Klemblok
7. Afdichtschroef
8. Tandwielkast
9. Schachtvergrendelingsgat
10. Buitenflens
11. Multifunctionele sleutel
12. Binnenzeskantsleutel
13. Beschermingsaccessoire (voor als de tapcut maalkop ALLEEN wordt gebruikt)

⚠ WAARSCHUWING: Gebruik het gereedschap nooit zonder juist gemonteerd scherm. Het scherm moet zich altijd op het gereedschap bevinden om de gebruiker te beschermen.

⚠ WAARSCHUWING: Als het gereedschap wordt gebruikt als grastrimmer, voorzien van een trimmerkop, dient het beschermingsaccessoire te worden bevestigd op de bescherming. Als u dit niet in acht neemt, kan dit tot een extreem lange snijdraad en een overbelasting van de motor leiden.

MONTAGE

NL

⚠ WAARSCHUWING: Als er onderdelen beschadigd zijn of ontbreken, gebruik dit product niet totdat alle onderdelen vervangen of aanwezig zijn. Dit product gebruiken met beschadigde of ontbrekende onderdelen kan ernstig persoonlijk letsel veroorzaken.

⚠ WAARSCHUWING: Probeer niet om dit product aan te passen of accessoires te maken die niet voor gebruik met deze grastrimmer zijn aanbevolen. Een dergelijke aanpassing of wijziging is verkeerd en kan leiden tot gevaar en een ernstig persoonlijk letsel.

⚠ WAARSCHUWING: Draag altijd stevige handschoenen als u het mes of de bescherming installeert of verwijderd of als u het mes onderhoudt. Wees voorzichtig bij het mes en bescherm uw handen tegen letsel door het mes.

⚠ WAARSCHUWING: Sluit de basis machine niet aan totdat u klaar bent met de montage. Het niet in acht nemen kan resulteren in het onbedoeld starten en mogelijk ernstig persoonlijk letsel.

OPMERKING: De juiste montagevolgorde van het bosmaaier accessoire is eerst de bescherming, vervolgens het mes en tenslotte de basis machine.

⚠ WAARSCHUWING: Gebruik het gereedschap nooit zonder bescherming en het juist gemonteerd voorste ondersteunende handvat met handgreep. Het niet in acht nemen kan dit leiden tot ernstig persoonlijk letsel.

DE BESCHERMING MONTEREN

1. Til de bosmaaier op en richt naar onderen; breng de twee montagegaten in het scherm op één lijn met de twee bouten die reeds gemonteerd zijn aan de bevestigingsplaat. Zorg ervoor dat het binnenvlak van het scherm naar de bosmaaier is gericht (afb. C).

2. Maak het scherm op zijn plaats vast met de bouten en meegeleverde inbussleutel (afb. D).

HET MES MONTEREN

1. Het mes wordt getransporteerd met een bescherming. Voordat u het mes monteert aan de bosmaaier, dient u de bescherming te verwijderen door de klemblok van de haak aan de bescherming te verwijderen (afb. E).

Afb. E beschrijving van de onderdelen zie beneden:

E-1	Haak
E-2	Klemblok

2. Draai de buitenste flens om de sleuf in de binnenste flens met het gat in de schachtvergrendelingsgat in de tandwielkast in één lijn te brengen (afb. F).
3. Steek de meegeleverde binnenzeskantsleutel in de zich op een lijn bevindende gaten zodat deze als stabilisator kan fungeren (afb. G).

Afb. F & G beschrijving van de onderdelen zie beneden:

F-1	Tandwielkast
F-2	In lijn bevindende schachtvergrendelingsgaten
F-3	Buitenflens
G-1	Stabilisator

4. Positioneer de bosmaaier kop tegen een stevig oppervlak voor steun. Met één hand pakt u de bosmaaier schacht vast en met de andere de multifunctionele sleutel die wordt meegeleverd om de moer aan de buitenflens in de richting van de pijl los te maken en de moer en de buitenflens te verwijderen. Bewaar deze voor de hernieuwde montage (afb. H).
5. Monteer het mes op de motorschacht, zorg ervoor dat het oppervlak van het mes in lijn is met het oppervlak van de binnenflens uitstulping. Ga verder met de montage van de buitenflens en de moer (afb. I). Maak de moer alvast met de hand **LINKSOM** vast.

Afb. I beschrijving van de onderdelen zie beneden:

I-1	Binnenflens uitstulping
I-2	Motorschacht
I-3	Moer
I-4	Buitenflens
I-5	Mes

6. Draai de buitenflens om de sleuf in de binnenflens in één lijn te brengen met de schachtvergrendelingsgat in de tandwielkast en steek de meegeleverde binnenzeskantsleutel in de zich in lijn bevindende gaten om als een stabilisator te dienen zoals weergegeven in de vorige stappen 2 & 3.

7. Positioneer de bosmaaier kop tegen een stevig oppervlak voor steun. Met één hand pakt u het mes vast en met de andere de multifunctionele sleutel die wordt meegeleverd om de moer aan de buitenflens in tegengestelde richting van de pijl vast te maken (afb. J).

Gebruik van beschermingsaccessoire

OPMERKING: Als het gereedschap wordt gebruikt als grastrimmer, voorzien van een trimmerkop, moet het beschermingsaccessoire te worden bevestigd op de bescherming (afb. K).

Beveilig het beschermingsaccessoire op de bescherming door de drie schroeven met de meegeleverde binnensleutel vast te draaien. Als u dit niet in acht neemt, kan dit tot een extreem lange snijdraad en een overbelasting van de motor leiden.

AANSLUITEN VAN HET BOSMAAIER ACCESSOIRE AAN DE BASIS MACHINE

Dit bosmaaier accessoire is ontworpen voor het gebruik met de EGO basis machine PH1400E.

Zie hoofdstuk "INSTALLEREN VAN ACCESSOIRES AAN DE BASIS MACHINE" in de gebruiksaanwijzing van de basis machine PH1400E.

BEDIENING

WAARSCHUWING: Vertrouwdheid kan leiden tot onvoorzichtigheid. Opgelet, één seconde van onvoorzichtigheid kan ernstig letsel teweegbrengen.

WAARSCHUWING: Draag altijd een veiligheidsbril met zijschermen. In combinatie met gehoorbescherming. Het niet dragen van deze beschermingsuitrusting kan ertoe leiden dat voorwerpen in uw ogen terechtkomen of kan een ander ernstig letsel veroorzaken.

APPLICATIES

U kunt dit product gebruiken voor onderstaand vermeld doeleinde:

- Snijden van gras, onkruid, wildgroei en struikgewas, uitdunnen van jonge planten met een maximale diameter van 2 cm.

OPMERKING: Het gereedschap mag alleen voor het voorheen genoemde doeleinde worden gebruikt. Ieder ander gebruik is in dit geval misbruik.

GEBRUIK VAN DE BOSMAAIER MET BASIS MACHINE

WAARSCHUWING: Draag gepaste kleding om het risico op letsel tijdens gebruik van dit gereedschap te beperken. Draag geen los hangende kleding of juwelen. Draag oog- en oorbescherming. Draag een stevige lange broek, laarzen en handschoenen. Draag geen korte broek of sandalen of ga niet blootsvoets.

Voor een veiliger en beter gebruik draagt u de schouderriem over uw schouder. Pas de schouderriem aan zodat u een comfortabele werkpositie bereikt. Houd de bosmaaier met één hand op het achterste handvat en de andere hand op het voorste ondersteunende handvat vast. Zorg tijdens het gebruik voor een stevige greep met beide handen. De bosmaaier dient op een prettige manier te worden vastgehouden met het achterste handvat ongeveer op heuphoogte. Houd uw greep en het evenwicht op beide voeten. Ga zo staan, dat u niet uit balans kunt raken door een terugslag van het mes (afb. B).

WAARSCHUWING: De schouderriem heeft ook een snelontspanningsmechanisme voor gevaarlijke situaties. Als er sprake is van een noodgeval, haalt u hem direct van de schouder, ongeacht hoe de riem zit.

Om wildgroei en struikgewas te snijden, laat u het blad op de groei zakken om een snij-effect te bereiken. Gebruik de bosmaaier als een zeis (veeg hem van rechts naar links) boven de grond. Gebruik het snij-accessoire nooit boven uw middel.

WAARSCHUWING: Hoe hoger het mes van de grond is, des te groter is het risico op letsel door wegslingerend snijafval.

WAARSCHUWING: Als u jonge planten of houtachtig materiaal met een diameter van maximaal 2 cm zaagt, dient u de linkerkant van het mes te gebruiken om te voorkomen dat het mes terugkaatst. Probeer niet houtachtig materiaal met een grotere diameter te snijden, aangezien het mes vast kan raken of de bosmaaier naar voren kan trekken. Dit kan schade aan het blad of de bosmaaier veroorzaken of ervoor zorgen, dat u de controle over de bosmaaier verliest, wat kan resulteren in persoonlijk letsel.

WAARSCHUWING: Onjuist gebruik van het bosmaaier blad kan scheuren, afbreken of breken tot gevolg hebben.

Rondslingerende onderdelen kunnen ernstig letsel bij de gebruiker of omstanders veroorzaken. Om het risico op persoonlijk letsel te verminderen, is het van essentieel belang dat de volgende voorzorgsmaatregelen worden getroffen:

NL

- Voorkom contact met harde of stevige vreemde voorwerpen zoals stenen, keien of stukken metaal.
- Snijd nooit hout of struiken met een stamdiameter van meer dan 2 cm.
- Inspecteer het mes in regelmatige, korte intervallen op tekenen van beschadigingen. Werk niet verder met een beschadigd mes.
- Slijp het mes regelmatig (als het duidelijk bot wordt) en laat het indien nodig uitbalanceren (uitgevoerd door een gekwalificeerde service-technicus).

TERUGSLAG VAN HET MES

Wees bijzonder voorzichtig als u het mes met deze eenheid gebruikt. Terugslag van het mes is de reactie die kan voorkomen als het draaiende blad in contact komt met iets dat het niet kan snijden. Dit contact kan ervoor zorgen dat het mes eventjes stopt en plotseling de eenheid "terugslaat", weg van het voorwerp dat is geraakt. Deze reactie kan ernstig genoeg zijn om ervoor te zorgen dat de gebruiker de controle over de eenheid verliest. Het terugkaatsen van het mes kan zonder waarschuwing gebeuren als het mes ergens aan vast blijft hangen, afslaat of vast raakt. Dit gebeurt eerder in een gebied waar het moeilijk te zien is, welk materiaal wordt gesneden. Om eenvoudig en veilig te snijden, gaat u van rechts naar links met de bosmaaier naar het te maaien onkruid toe. Voor het geval dat een onverwacht voorwerp of stok wordt geraakt, kan deze beweging de terugslag-reactie verminderen.

Voor elk gebruik, controleer op beschadigde/versleten onderdelen

Controleer het mes, scherm en voorste handvat en vervang alle onderdelen die gebarsten, scheef getrokken, gebogen of beschadigd zijn.

De rand van het mes kan met de tijd bot worden. Wij raden u aan dat u het mes draait voor een verlengde levensduur van het mes en het mes regelmatig slijpt (uitgevoerd door een gekwalificeerde servicetechnicus) of het indien nodig vervangt door een nieuw mes.

Maak de bosmaaier na elk gebruik schoon.

Kijk in het hoofdstuk **Onderhoud** voor de reinigingsinstructies.

WAARSCHUWING: Zorg ervoor dat het mes compleet stil staat voordat u reinigingswerkzaamheden of onderhoud uitvoert aan de bosmaaier. Het niet in acht nemen kan dit leiden tot ernstig persoonlijk letsel.

HET GEREEDSCHAP STARTEN/STOPPEN

Zie hoofdstuk "**STARTEN/STOPPEN VAN DE BASIS MACHINE**" in de gebruiksaanwijzing van de basis machine PH1400E.

ONDERHOUD

WAARSCHUWING: Voor het inspecteren, reinigen of onderhouden van het apparaat dient u de motor te stoppen, te wachten totdat alle bewegende onderdelen tot stilstand zijn gekomen en het accupack te verwijderen. Het negeren van deze instructies kan ernstig persoonlijk letsel of materiële schade tot gevolg hebben.

WAARSCHUWING: Bij reparatie, gebruik uitsluitend identieke reserve-onderdelen. Het gebruik van andere onderdelen kan gevaar opleveren of schade aan het product veroorzaken. Laat alle reparaties uitvoeren door een vakbekwame reparateur om een continue veiligheid en betrouwbaarheid te waarborgen.

WAARSCHUWING: Draag altijd stevige handschoenen als u het mes installeert of verwijderd of als u het mes onderhoudt. Wees voorzichtig bij het mes en bescherm uw handen tegen letsel door het mes.

ALGEMEEN ONDERHOUD

Maak de kunststof onderdelen niet schoon met oplosmiddelen. De meeste kunststoffen kunnen worden beschadigd wanneer ze in contact komen met commerciële oplosmiddelen. Gebruik een schone doek voor het verwijderen van vuil, stof, olie, smeer, etc.

HET APPARAAT SCHOONMAKEN

- Verwijder de accu
- Na ieder gebruik dient u het mes en de beschermer met een zachte borstel te ontdoen van vuil, opgehoopte aarde of gras.
- Veeg het oppervlak van het gereedschap schoon met een vochtige doek en een mild zeepsopje.
- Maak de ventilatieopeningen aan de achterkant van de motorbehuizing schoon met een kleine borstel of een stofzuiger.
- Houd de ventilatieopeningen vrij en schoon.

Als het mes bot wordt, beide zijden van het mes bot zijn, kunt u het laten slijpen door een gekwalificeerde servicetechnicus of indien nodig door een nieuw mes vervangen.

HET MES VERVANGEN

WAARSCHUWING: Een versleten, gescheurd of beschadigd mes kan breken. Stukken van het beschadigde mes kunnen daardoor gevaarlijke projectielen worden. Weggeslingerde voorwerpen kunnen ernstig letsel veroorzaken. Inspecteer het mes regelmatig en gebruik de bosmaaier niet als het mes versleten of beschadigd is.

⚠ WAARSCHUWING: Gebruik geschikte oogbescherming terwijl u het mes verwijdert, slijpt en installeert.

Verwijderen van het mes

1. Verwijder de accu.
2. Draai de buitenflens om de sleuf in de binnenflens in één lijn te brengen met de schachtvergrendelingsgat in de tandwielkast en steek de meegeleverde binnenzeskantsleutel in de zich in lijn bevindende gaten om als een stabilisator te dienen zoals weergegeven in de stappen 2 & 3 “**HET MES BEVESTIGEN**”.
3. Positioneer de bosmaaier kop tegen een stevig oppervlak voor steun. Met één hand pakt u het mes vast en met de andere de multifunctionele sleutel die wordt meegeleverd om de moer aan de buitenflens in de richting van de pijl los te maken en verwijdert u de moer, de buitenflens en het versleten mes (afb. L).
4. Controleer en vervang de binnenflens en de buitenflens afdekking indien deze zijn versleten (afb. M)

Afb. M beschrijving van de onderdelen zie beneden:

M-1	Motorschacht	M-5	Buitenflens
M-2	Binnenflens	M-6	Moer
M-3	Flensafdekking	M-7	Sleuf in de flens
M-4	Mes		

5. Installeer het nieuwe mes op de motorschacht in de op afb. M getoonde volgorde. Gedetailleerde instructies ziet u in stap 5, 6 & 7 van “**HET MES BEVESTIGEN**”.

SMEREN VAN DE VERSNELLING

De versnelling in de tandwielkast dient regelmatig met smeervet voor versnellingen te worden gevet. Controleer het vetniveau van de versnellingsbak ongeveer alle 50 uur van gebruik door de vergrendelschroef aan de zijkant van de bak te verwijderen.

Als u geen vet meer ziet aan de flanken van de versnelling, dient u de onderstaande stappen te volgen voor het tot 3/4 bijvullen van het vet.

Vul de versnellingen niet helemaal.

1. Houd de bosmaaier vast zodat de vergrendelschroef naar boven is gericht (afb. N).
2. Gebruik de meegeleverde multifunctionele sleutel en verwijder de vergrendelschroef.
3. Gebruik een vetspuit (niet inbegrepen) om een beetje vet in het schroefgat te spuiten.
4. Maak de vergrendelschroef na het injecteren weer vast.

HET APPARAAT OPBERGEN

- Haal het accupack uit het gereedschap.
- Draag stevige handschoenen om het gereedschap grondig te reinigen.
- Bevestig de mesbescherming op het mes voor een veilige opberging (afb. O).
- Verwijder het bosmaaier-accessoire van de basis machine en steek indien nodig de einddop op de schacht van het accessoire.
- Berg het apparaat op in een droge, goed geventileerde en afsluitbare ruimte of op een hoge hoogte en buiten het bereik van kinderen. Berg het apparaat niet op in de buurt van meststoffen, benzine of andere chemicaliën.

NL

Het milieu beschermen



Gooi geen elektrische apparaten, acculaders en accu's/oplaadbare batterijen met het huisafval weg!

Elektrische en elektronische apparaten, in overeenstemming met de Europese wet 2012/19/EG, en defecte of verbruikte accupacks/batterijen, in overeenstemming met 2006/66/EG, moeten afzonderlijk worden ingezameld.

Als elektrische apparaten op een stortterrein of vuilnisbelt terechtkomen, kunnen gevaarlijke stoffen in het grondwater lekken en in de voedselketen komen wat schadelijk is voor uw gezondheid en welzijn.

NL

EG CONFORMITEITSVERKLARING



Wij, EGO EUROPE GMBH

Wahlwiesenstrasse 1, D-71711 Steinheim an der Murr
Deutschland

Verklaring dat het product **56V lithium-ion accu bosmaaier toebehør BCA1200**, te gebruiken met de basis machine PH1400E

in overeenstemming is met de essentiële gezondheids- en veiligheidseisen van de volgende richtlijnen:

2006/42/EG, 2014/30/EG, 2011/65/EG, 2000/14/EG

Standaarden en technische specificaties hebben betrekking op:

EN ISO 11806-1, EN 60745-1, EN 55014-1, EN 55014-2

Gemeten geluidsvermogensniveau: 96,5 dB(A).

Gewaarborgd geluidsvermogensniveau: 98 dB(A).

Peter Melrose
Algemeen directeur van
EGO Europe GmbH

Dong Jianxun
Kwaliteitsmanager van
Chervon

* (Geautoriseerde vertegenwoordiger voor CHERVON en verantwoordelijk voor de technische documentatie)

01/12/2016

PROBLEEMOPLOSSING

PROBLEEM	OORZAAK	OPLOSSING
De bosmaaier start niet.	<ul style="list-style-type: none"> ■ Het accupack is niet op de basis machine aangesloten. ■ Er is geen elektrisch contact tussen de basis machine en het accupack. ■ Het accupack is uitgeput. ■ De ontgrendelingshendel en trekker zijn niet gelijktijdig ingedruwd. 	<ul style="list-style-type: none"> ■ Sluit het accupack aan op de basis machine. ■ Verwijder het accupack, controleer de aansluitklemmen en plaats het accupack terug totdat deze vast klikt. ■ Laat het accupack op met de EGO lader die in deze gebruiksaanwijzing wordt vermeld. ■ Om de bosmaaier te starten, duw de ontgrendelingshendel omlaag en houd op deze positie. Duw vervolgens de trekker in.
Bosmaaier stopt tijdens het snijden.	<ul style="list-style-type: none"> ■ De motor is overbelast. ■ Het accupack of de basis machine is te warm. ■ Het accupack is niet met het gereedschap verbonden. ■ Het accupack is uitgeput. 	<ul style="list-style-type: none"> ■ De motor herstelt weer zodra de belasting is verdwenen. Voor continu gebruik dient u het vermogen op de basis machine te verlagen. ■ Laat het accupack of de basis machine afkoelen totdat de temperatuur lager dan 152°F (67°C) is. ■ Installeer het accupack opnieuw. ■ Laat het accupack op met de EGO lader die in deze gebruiksaanwijzing wordt vermeld.

NL

GARANTIE

EGO GARANTIEVOORWAARDEN

Bezoek onze website egopowerplus.com voor alle voorwaarden van de EGO garantie.

LÆS ALLE ANVISNINGER!



LÆS BRUGSANVISNINGEN

⚠ Særlig risiko! Folk med elektroniske anordninger, såsom pacemakere, bør spørge deres læge til råds, før de bruger dette produkt. Betjening af elektrisk udstyr i umiddelbar nærhed af en pacemaker kan forårsage forstyrrelser eller svigt af pacemakeren.

⚠ ADVARSEL: For at sikre sikkerhed og pålidelighed, bør alle reparationer og udskiftninger udføres af en kvalificeret servicetekniker.

DK

SIKKERHEDSSYMBOLER

Formålet med sikkerhedssymboler er at gøre dig opmærksom på mulige farer. Du bør være meget opmærksom på sikkerhedssymbolerne og forklaringer til dem og lære at forstå dem. Symboladvarslere fjerner ikke i sig selv eventuelle farer. Anvisningerne og advarslerne er ingen erstatning for korrekte forebyggelsesforanstaltninger mod ulykker.

⚠ ADVARSEL: Sørg for at læse og forstå alle sikkerhedsanvisninger i denne brugsanvisning, inklusive alle sikkerhedssymboler, såsom "FARE", "ADVARSEL" og "FORSIGTIG", før du bruger dette værktøj. Hvis du ikke følger advarslere og anvisninger, kan det resultere i elektrisk stød, brand og/eller alvorlig personskade.

SYMBOLBETYDNING

⚠ SYMBOL FOR SIKKERHEDSVARSEL: Angiver **FARE**, **ADVARSEL** eller **FORSIGTIG**. Kan anvendes i kombination med andre symboler eller piktogrammer.



⚠ ADVARSEL: Brugen af et elværktøj kan resultere i, at du får fremmedlegemer i øjnene, hvilket kan give alvorlige øjenskader. Inden du begynder at bruge et elværktøj, skal du altid bære beskyttelsesbriller eller sikkerhedsbriller med sidebeskyttelse og om nødvendigt en fuld ansigtsmaske. Vi anbefaler en maske med bredt udsyn til brug over briller eller standard sikkerhedsbriller med sidebeskyttelse.

SIKKERHEDSANVISNINGER

Denne side viser og beskriver sikkerhedssymboler, der kan forekomme på dette produkt. Læs, forstå, og følg alle anvisninger på apparatet, før du forsøger at samle og betjene det.

	Sikkerhedsvarsel	Angiver en potentiel fare for personskade.
	Læs brugsanvisningen	For at nedsætte risikoen for personskade, skal brugeren læse og forstå brugsanvisningen, før dette produkt tages i brug.
	Bær beskyttelsesbriller	Bær altid beskyttelsesbriller eller sikkerhedsbriller med sidebeskyttelse og om nødvendigt en fuld ansigtsmaske.
	Brug hørevern	Støjen fra stangsaven kan skade hørelsen. Bær altid hørevern (ørepropper eller ørebeskyttere) for at beskytte din hørelse.
	Brug hjelm	Bær en godkendt sikkerhedshjelm til at beskytte dit hoved.
	Brug beskyttelseshandsker	Beskyt dine hænder med handsker, når du håndterer saven og savkæden. Kraftige, skridsikre handsker forbedrer dit greb og beskytter dine hænder.
	Benyt sikkerhedsfodtøj	Benyt skridsikert sikkerhedsfodtøj, når du bruger dette udstyr.
	Trimmebredde	Buskrydderens maks. klippebredde
	Pas på ryk i kniven	Advar brugeren om faren for ryk i kniven.

	Vildtfarende smågenstande	Vildtfarende smågenstande kan blive slynget ud og medføre personskaade eller materiel skade.
	Hold omkringstående på afstand	Sørg for, at andre mennesker og kæledyr står mindst 15 m væk fra buskrydderen, når den er i brug.
	Ikke rund kniv	Monter ikke runde skæreknive
	Må ikke udsættes for regn	Må ikke bruges i regn og må ikke efterlades udenfor i regnvejr.
	Det Europæiske Fællesskab	Dette produkt er i overensstemmelse med gældende EU-direktiver.
	WEEE	Affald fra elektriske produkter bør ikke bortskaffes sammen med husholdningsaffald. Bring det til en godkendt genbrugsplads.
	Støj	Garanteret lydniveau. Støjemission til miljøet opfylder EF-direktivet.
V	Volt	Spænding
mm	Millimeter	Længde eller størrelse
cm	Centimeter	Længde eller størrelse
in.	Inch	Længde eller størrelse
kg	Kg	Vægt

VIGTIGE SIKKERHEDSANVISNINGER

⚠ ADVARSEL: Ved brug af græstrimmere skal grundlæggende sikkerhedsprocedurer altid følges for at reducere risikoen for brand, elektrisk stød og personskaade, herunder følgende:

LÆS GRUNDIGT INDEN BRUG

GEM TIL SENERE BRUG.

⚠ FARE: Stol ikke på værktøjets isolering mod elektrisk stød. For at reducere risikoen for en elektricitetsulykke skal man aldrig betjene apparatet i nærheden af nogen form for ledninger eller kabler (stærkstrøm etc.), som kan være strømførende.

⚠ FORSIGTIG: Brug egnet personligt høreværn under brug. Under visse betingelser og afhængigt af varigheden af brug kan støj fra dette produkt bidrage til høretab.

Undervisning

- Læs anvisningerne grundigt igennem. Bliv fortrolig med alle knapper og håndtag og den korrekte brug af apparatet.
- Lad aldrig personer, der ikke kender disse anvisninger, eller børn til at bruge apparatet. Lokale forskrifter kan sætte aldersgrænser for en operatør.
- Husk, at operatøren eller brugeren er ansvarlig, hvis andre personer eller andres ejendom udsættes for ulykke eller fare.

Forberedelse

- Brug aldrig apparatet, mens folk, især børn, eller kæledyr er tæt på.
- Bær altid øjenbeskyttelse og solide sko, mens du betjener apparatet.
- Afstanden mellem apparatet og omkringstående skal være mindst 15 m.

Betjening

- Brug kun apparatet i dagslys eller godt kunstigt lys.
- Anvend aldrig apparatet med defekte kapper eller skærme eller uden kapper eller skærme monteret.
- Tænd kun for motoren, når hænder og fødder er væk fra trimmerdelen.
- Afbryd altid apparatet fra strømforsyningen (dvs. tag stikket ud af stikkontakten, eller udløs stopanordningen).
 - Når apparatet forlades uden opsyn.
 - Før en blokering fjernes.
 - Før apparatet kontrolleres, rengøres eller der udføres arbejde på det.
 - Efter at have ramt et fremmedlegeme.
 - Når apparatet begynder at vibrere unormalt.
- Pas på skade på hænder og fødder fra trimmerdelen.
- Sørg altid for, at ventilationsåbningerne holdes fri for snavs og skidt.

DK

Vedligeholdelse og opbevaring

- Afbryd apparatet fra strømforsyningen (dvs. tag stikket ud af stikkontakten, eller udlæs stopanordningen), før udførelse af vedligeholdelse eller rengøring.
- Brug kun fabrikantens anbefalede reservedele og tilbehør.
- Efterse og vedligehold apparatet regelmæssigt. Få kun apparatet repareret af en autoriseret reparatør.
- Når apparatet ikke er i brug, opbevar maskinen utilgængeligt for børn.

Andre sikkerhedsadvarsler

- **Hold børn på afstand** – Alle omkringstående skal befinde sig mindst 15 meter fra arbejdsområdet.
- **Undgå farlige omgivelser** – Brug ikke trimmere på fugtige eller våde steder.
- **Sluk altid for buskrydderen, eller fjern batteripakken, når den forlades uden opsyn.**
- **Må ikke anvendes i regn.**
- **Korrekt påklædning** – Bær ikke løst tøj eller smykker. De kan blive fanget i bevægelige dele. Brug af gummihandsker og solidt fodtøj anbefales, når der arbejdes udendørs. Brug håret til langt hår.
- **Brug sikkerhedsbriller** – Brug altid en ansigts- eller støvmaske, hvis arbejdet er støvet.
- **Brug det rigtige værktøj** – Brug ikke værktøjet til noget job ud over det, som det er beregnet til.
- **Tving ikke buskrydderen** – Den gør arbejdet bedre og med mindre sandsynlighed for skade ved den arbejdsmængde, som den er designet til.
- **Vær opmærksom, se, hvad du laver.** Brug din sunde fornuft. Brug ikke trimmeren, når du er træet.
- **Brug ikke buskrydderen, hvis du er påvirket af alkohol, medicin eller narkotika.**
- **Hold kapper på plads og i orden.**
- **Hold hænder og fødder borte fra kniven.**
- **Opbevar buskrydderen indendørs** – Når du ikke bruger buskrydderen bør den opbevares indendørs på et tørt og aflåst sted med batteripakken fjernet – utilgængeligt for børn.
- **Vedligehold buskrydderen omhyggeligt** – Hold knivdelen ren, så yder den bedst, og man mindsker risikoen for skader. Følg anvisningerne for udskiftning af tilbehør. Hold håndtagene tørre, rene og fri for olie og fedt.

DK

- **Kontrollér beskadigede dele** – Før yderligere brug af buskrydderen, skal en skærm eller en anden del, som er beskadiget, omhyggeligt kontrolleres for at se, om den vil fungere korrekt og udføre sin tilsigtede funktion. Kontrollér, at de bevægelige dele ikke er fejljusterede eller binder eller er i en tilstand, der kan påvirke buskrydderens drift og betjening. En skærm eller en anden del, der er beskadiget, bør repareres korrekt eller udskiftes af et autoriseret serviceværksted, medmindre andet er angivet i denne vejledning.
- **Sørg for, at alle befæstelsesdele er på plads og sikrede. Sørg for, at knivtilbehøret er korrekt monteret og i den af fabrikanten anbefalede stilling.**
- **Ryd op i området, hvor der skal trimmes, før hver brug.** Fjern alle genstande, såsom sten, glasskår, søm, ledninger eller snor, der kan slynges ud eller blive viklet ind i knivdelen. Hold børn, tilskuere og kæledyr væk fra området. Som minimum skal børn, tilskuere og kæledyr stå længere væk end 15 m; længere væk end 15 m kan der stadig være en risiko for skade som følge af udslyngede genstande. Omkringstående bør opfordres til at bære øjenbeskyttelse.
- **Hold altid buskrydderen fast med begge hænder på håndtagene under arbejdet. Hold fast med fingre og tommelfingre omkring håndtagene.**
- **Undgå utilsigtet start.** – Bær ikke buskrydderen med fingeren på startknappen.
- **Brug ikke buskrydderen i omgivelser med benzinlignende eller eksplosive stoffer.** Motorene i disse apparater udsender normalt gnister, og gnisterne kan antænde dampe.
- **Skade på buskrydderen** – Hvis du rammer et fremmedlegeme med buskrydderen, eller den bliver filtret ind i noget, så stop omgående værktøjet, og fjern batteripakken fra buskrydderen. Undersøg for skader, og få eventuelle skader udbedret, før arbejdet forsøges genoptaget. Arbejd ikke med en beskadiget skærm eller kniv.
- **Hvis udstyret skulle begynde at vibrere unormalt, stoppes motoren og kontrolleres straks for årsagen.** Vibrationer er generelt en advarsel om problemer. En løs kniv kan vibrere, revne, knække eller løse sig fra buskrydderen, hvilket kan resultere i alvorlige eller dødelige kvæstelser. Sørg for, at knivdelen er anbragt korrekt og sidder fast. Hvis kniven løsner sig, efter at den er sat på plads, skal den udskiftes med det samme. Brug aldrig en buskrydder med en løs knivdel.

- **For at mindske risikoen for personskade ved tab af kontrol, skal man aldrig arbejde på en stige eller på ethvert andet usikkert underlag. Hold aldrig knivdelen over hoftehøjde.**
- **Sørg for at stå fast og være i balance.** Læn dig ikke for langt forover. Hold knivdelen under hoftehøjde. Hold alle dele af kroppen væk den roterende knivdel.
- Udskift straks en revnet, beskadiget eller slidt kniv, selv om skaden er begrænset til overfladiske revner. Sådanne påmonteringer kan splintre ved høj hastighed og forårsage alvorlige skader eller dødsfald.
- Kontrollér regelmæssigt og ofte knivdelen, når der arbejdes, eller omgående, hvis der er en mærkbar forandring i måden, hvorpå apparatet skærer.
- **Hvis nogen nærmer sig, så stop straks motoren og knivdelen. Når det drejer sig om apparater forsynet med knive, er der større risiko for, at omkringstående bliver ramt af kniven i tilfælde af et hårdt ryk eller anden uventet bevægelse af kniven.**
- **Advar brugeren om faren for ryk i kniven.**
 - Det kan give et ryk i kniven, når den roterende kniv rammer en genstand, som den ikke bare skærer igennem.
 - Et ryk i kniven kan være kraftigt nok til at slynge enheden og/eller brugeren i alle retninger, og man kan eventuelt miste kontrollen over enheden.
 - Ryk i kniven kan forekomme uden varsel, hvis klingens hager sig fast, går i stå eller binder.
 - Ryk i kniven sker oftere på steder, hvor det er vanskeligt at se det, der bliver ryddet.
- **Sæt ikke en kniv på en enhed, uden at alle nødvendige dele er korrekt monteret. Hvis man ikke bruger de korrekte dele, kan kniven flyve af og kvæste brugeren og/eller de omkringstående. Kassér knive, der er bøjede, skæve, revnede, knækkede eller på anden måde beskadigede. Brug en skarp kniv. En sløv kniv er mere tilbøjelig til at hænge fast og give ryk.**
- **Kniven fortsætter med at rotere, når motoren er stoppet eller startknappen slippes, og kan derfor fortsat gøre skade. Hold godt fast på enheden, indtil kniven er stoppet helt.**
- **Oplad ikke batteripakken i regnvej, eller hvor der er vådt.**
- Brug kun med de batteripakker og opladere, der er anført nedenfor:

BATTERI	OPLADER
BA1120E, BA2240E, BA2800	CH2100E CH5500E

- **Batteripakken skal fjernes fra apparatet, før det kasseres.**
- **Smid ikke batteriet i ilden. Cellerne kan eksplodere.** Undersøg de lokale forskrifter for eventuelle særlige anvisninger på bortskaffelse.
- **Undlad at åbne eller mishandle batteriet.** Udsivende elektrolyt er ætsende og kan forårsage skader på øjne eller hud. Det kan være giftigt ved indtagelse.
- **Udvis omhu i håndtering af batterier for ikke at kortslutte batteriet med ledende materialer, såsom ringe, armbånd og nøgler.** Batteriet eller leder kan blive overophedet og forårsage forbrændinger.
- **Reserve dele** – Ved service må der kun bruges originale reservedele fra EGO. Brug af andet tilbehør eller påmontering kan øge risikoen for skader.
- **Batteridrevne værktøjer behøver ikke at være tilsluttet en stikkontakt, derfor er de altid driftsklar.** Vær opmærksom på mulige farer, selv når værktøjet ikke arbejder. Vær forsigtig, når du udfører vedligeholdelse eller service.
- **Fjern eller afbryd batteripakken inden service og rengøring, og inden materialer fjernes fra buskrydderen.**
- **Undlad at vaske med en slange; undgå at få vand i motor og elektriske forbindelser.**
- **Ved situationer, der ikke er dækket i denne vejledning: Vær forsigtig, og arbejd med omtanke. Kontakt EGO's kundeservicecenter for at få hjælp.**
- **Gem disse anvisninger.** Brug dem ofte, og brug dem til at instruere andre, der skal bruge dette værktøj. Hvis du låner nogen dette værktøj, så lad dem få anvisningerne med, så de også undgår fejlbrug af produktet og mulig personskade.

BEMÆRK: I BRUGSANVISNINGEN TIL MOTORDELEN KAN DU FINDE YDERLIGERE SPECIFIKKE SIKKERHEDSREGLER.

SPECIFIKATIONER

Trimmebredde	30 cm	
Ubelastet hastighed	5000/6000 min ⁻¹	
Vægt (uden batteripakke)	1,82 kg	
Målt lydeffektniveau L _{WA}	96,5 dB(A) K=1,88 dB(A)	
Lydtryk ved brugerens øre L _{PA}	84,5 dB(A) K=3 dB(A)	
Garanteret lydeffektniveau L _{WA} (målt i henhold til 2000/14/EC)	98 dB(A)	
Vibration a _h	Hjælpehåndtag	2,8 m/s ² K=1,6 m/s ²
	Bageste håndtag	3,1 m/s ² K=1,6 m/s ²

DK

- Ovenstående parametre er blevet testet og målt under anvendelse af motordel PH1400E.
- Den samlede værdi af angivne vibrationer er målt i overensstemmelse med en standardiseret prøvningsmetode og kan anvendes til at sammenligne et værktøj med et andet
- Den samlede angivne værdi for vibrationer kan også anvendes ved en foreløbig vurdering af eksponeringen.

BEMÆRK: Udsendelsen af vibrationer ved faktisk brug af elværktøjet kan afvige fra den angivne værdi, der hvor værktøjet anvendes. For at beskytte operatøren, bør vedkommende bære handsker og hørevern under de faktiske brugsbetingelser.

Anbefalet kniv

DELENS NAVN	MODELNUMMER
Kniv til buskrydder	ABB1203

PAKKELISTE

DELENS NAVN	ANTAL
Buskryddertilbehør	1
Sæt med kniv og skede	1
Kappe	1
Skærmtilbehør (KUN til brug med trimmerhoved)	1
Unbrakonøgle	1
Multifunktions-skruenøgle	1
Brugsanvisning	1

BESKRIVELSE

LÆR DIT BUSKRYDDERTILBEHØR AT KENDE (fig. A)

1. Endedæksel
2. Buskrydderskaft
3. Kappe
4. Kniv
5. Skede til kniv
6. Spændebånd
7. Lukkeskrue
8. Gearhus
9. Hul til låsning af skaft
10. Ydre flange
11. Multifunktions-skruenøgle
12. Unbrakonøgle
13. Skærmtilbehør (KUN til brug med trimmerhoved)

⚠ ADVARSEL: Brug aldrig værktøjet uden skærmen solidt på plads. Skærmen skal altid være på værktøjet for at beskytte brugeren.

⚠ ADVARSEL: Når værktøjet bruges som græstrimmer og er udstyret med et trimmerhoved, skal skærmtilbehøret være monteret på skærmen. Manglende overholdelse kan resultere i en for lang skæreline og overbelastning af motoren.

MONTERING

⚠ ADVARSEL: Hvis der er dele, der er beskadigede eller mangler, anvendes apparatet ikke, før delene er udskiftet. Brug af dette produkt med beskadigede eller manglende dele kan medføre alvorlig personskade.

⚠ ADVARSEL: Forsøg ikke at ændre dette produkt eller fremstille tilbehør, der ikke anbefales til brug med denne græstrimmer. Enhver sådan ændring eller modifikation er misbrug og kan resultere i en farlig situation, der fører til eventuel alvorlig personskade.

⚠ ADVARSEL: Bær altid kraftige handsker, når du installerer eller fjerner kniven eller skærmen eller udfører vedligeholdelsesarbejde på kniven. Vær forsigtig med kniven, og beskyt dine hænder mod at blive skåret af kniven.

⚠ ADVARSEL: Tilslut ikke motordelen til strøm, før samlingen af værktøjet er fuldført. Manglende overholdelse af anvisningerne vil kunne medføre utilsigtet igangsætning og risiko for alvorlig personskade.

BEMÆRK: Den korrekte rækkefølge ved samling af buskryddertilbehøret er først montering af skærmen og derefter kniven, og til sidst påsættes motordelen.

⚠ ADVARSEL: Brug aldrig værktøjet uden skærmen og forreste hjælpehåndtag med afstandsstykke solidt monteret. Manglende overholdelse af anvisningerne vil kunne medføre alvorlig personskade.

MONTERING AF KAPPE

1. Løft buskrydderens hoved, og lad det vende nedad; flugt de to monteringshuller i skærmen med de to bolte, der er formonteret fornedet på fastgørelsespladen. Sørg for, at indersiden af skærmen vender mod buskrydderens hoved (fig. C).
2. Lås skærmen fast med boltene og den medfølgende unbrakonøgle (fig. D).

MONTERING AF KNIVEN

1. Kniven leveres med en skede. Før montering af kniven på buskrydderen skal skeden fjernes ved at løsne spændebåndet fra krogen på skeden (fig. E).

Beskrivelse af dele på fig. E, se nedenfor:

E-1	Krog
E-2	Spændebånd

2. Drej den ydre flange for at flugte noten i den indre flange med huller til låsning af skaftet i gearhuset (fig. F).
3. Indsæt den medfølgende unbrakonøgle som stabilisator i de flugtende huller (fig. G).

Beskrivelse af dele i fig. F og G, se nedenfor:

F-1	Gearhus	F-3	Ydre flange
F-2	Flugtede huller til låsning af skaft	G-1	Stabilisator

4. Anbring buskrydderhovedet mod en fast overflade for støtte. Med den ene hånd holdes skaftet på buskrydderen fast, og i den anden hånd holdes den medfølgende multifunktions-skruenøgle; løs møtrikken i pilens retning markeret på den ydre flange, og fjern møtrikken og den ydre flange. De skal bruges igen ved samlingen (fig. H).
5. Montér kniven på motorakslen, så knivfladen flugter med forhøjningen på den indre flange. Fortsæt med at montere den ydre flange og møtrikken (fig. I). Forspænd møtrikken med fingrene **MOD URET**.

Beskrivelse af dele på fig. I, se nedenfor:

I-1	Forhøjning på indre flange	I-4	Ydre flange
I-2	Motorskaft	I-5	Kniv
I-3	Møtrik		

6. Drej den ydre flange, så noten i den indre flange flugter med huller til låsning af skaftet i gearhuset, og sæt den medfølgende unbrakonøgle i de flugtende huller som stabilisator som vist i forrige trin 2 og 3.
7. Anbring buskrydderhovedet mod en fast overflade for støtte. Med den ene hånd holdes kniven fast, og i den anden hånd holdes den medfølgende multifunktions-skruenøgle; stram møtrikken modsat pilens retning markeret på den ydre flange (fig. J).

Brug af skærmtilbehør

BEMÆRK: Når værktøjet bruges som græstrimmer og er udstyret med et trimmerhoved, skal skærmtilbehøret være monteret på skærmen (fig. K).

Fastgør skærmtilbehøret på skærmen ved at spænde de 3 skruer med den medfølgende unbrakonøgle. Manglende overholdelse kan resultere i en for lang skæreline og overbelastning af motoren.

TILSLUTNING AF BUSKRYDDERTILBEHØRET TIL MOTORDELEN

Dette buskryddertilbehør er beregnet til brug med EGO motordel PH1400E.

Se afsnittet **“MONTERING AF TILBEHØR PÅ MOTORDEL”** i brugsanvisningen til motordel PH1400E.

BETJENING

⚠ ADVARSEL: Selvom du kender dette produkt, så bliv ikke skødesløs. Husk, at skødesløshed i en brøkdal af et sekund kan forvolde betydelig personskade.

⚠ ADVARSEL: Bær altid beskyttelsesbriller med sidebeskyttelse. Sammen med høreværn. Uden disse kan man blive ramt af genstande, der kastes ind i øjnene eller forårsager andre alvorlige skader.

ANVENDELSER

Du kan bruge dette produkt til de formål, der er nævnt nedenfor:

- Rydning af filtret græs, ukrudt, vildtvoksende buskads og krat, udtynding af unge bevoksninger med en maksimal diameter på 2 cm.

BEMÆRK: Værktøjet skal kun bruges til det formål, det er beregnet til. Enhver anden anvendelse anses for at være et tilfælde af fejlbrug.

DK

BRUG AF BUSKRYDDEREN MED MOTORDELEN

⚠ ADVARSEL: Bær rigtig påklædning for at mindske risikoen for skader, når du betjener dette værktøj. Bær ikke løst tøj eller smykker. Bær øjen- og øre- / høreværn. Bær kraftige, lange bukser, støvler og handsker. Gå ikke i korte bukser, sandaler eller på bare fødder.

Betjeningen gøres sikker og behagelig ved at benytte skulderremmen. Justér skulderremmen, så den giver en behagelig arbejdsstilling. Hold altid buskrydderen med den ene hånd på det bagerste håndtag og den anden hånd på det forreste hjælpehåndtag. Hold godt fast med begge hænder under arbejdet. Buskrydderen bør bæres i en behagelig stilling med bagerste håndtag i hoftehøjde. Hold fast, og find en god balance på begge fødder. Stil dig, så du ikke mister balancen ved ryk i kniven (fig. B).

DK

⚠ ADVARSEL: Skulderremmen er også en mekanisme til hurtig frigørelse i farlige situationer. Når der opstår en fare, så tag den straks af skulderen, uanset hvordan remmen er sat på.

Når der ryddes vildtvoksende buskads og krat, sænkes kniven ned mod planterne for at klippe dem i småstykker. Brug buskrydderen som en le (fej fra side til side) i jordhøjde. Brug aldrig knivdelen over hoftehøjde.

⚠ ADVARSEL: Jo højere knivdelen er løftet fra jorden, jo større risiko er der for at blive ramt af stumper, der kastes ud til siderne.

⚠ ADVARSEL: Når der ryddes unge bevoksninger eller andet træagtigt op til 2 centimeters tykkelse, bruges venstre side af kniven for at undgå ryk i kniven. Forsøg ikke at skære træagtige vækster, der er tykkere, da kniven kan sætte sig fast, eller buskrydderen kan give et kraftigt ryk. Dette kan beskadige kniven eller buskrydderen, eller man kan miste kontrollen over buskrydderen med personskade til følge.

⚠ ADVARSEL: U hensigtsmæssig brug af buskrydderkniven kan medføre, at den revner, at der laves skår i den eller at den splintres.

Dele, der slynges ud, kan medføre alvorlig personskade på brugeren eller omkringstående. For at reducere risikoen for personskade er det vigtigt at tage følgende forholdsregler:

- Undgå kontakt med hårde eller massive genstande som grus, store sten eller metalstykker.
- Skær aldrig i træ eller buske med en diameter på mere end 2 cm.
- Undersøg kniven regelmæssigt og ofte for tegn på skader. Fortsæt ikke arbejdet med en beskadiget kniv.

- Skarp kniven regelmæssigt (når den er blevet mærkbar sløv), og få den om nødvendigt afbalanceret (udføres på kvalificeret værksted).

RYK I KNIVEN

Vær yderst forsigtig, når du bruger kniven sammen med denne enhed. Det kan give et ryk i kniven, når den roterende kniv rammer noget, den ikke kan skære igennem. Når det sker, kan det få kniven til at stoppe et øjeblik og pludselig give et hårdt ryk i enheden væk fra den genstand, der blev ramt. Dette hårde ryk kan være kraftigt nok til, at brugeren mister kontrollen over enheden. Ryk i kniven kan forekomme uden varsel, hvis kniven hager sig fast, går i stå eller binder. Det kan ske oftere på steder, hvor det er vanskeligt at se det, der bliver ryddet. For at lette rydningen og øge sikkerheden, så føres buskrydderen hen mod ukrudtet der skal ryddes, fra højre mod venstre. Hvis man rammer en uventet genstand eller en træstamme, vil denne fremgangsmåde kunne mindske risikoen for ryk.

Før hver anvendelse undersøges for skader / slidte dele

Tjek kniv, skærm og forreste hjælpehåndtag, og udskift de dele, der er revnede, skæve, bøjedede eller beskadigede på nogen måde.

Knivens æg kan blive sløv med tiden. Det anbefales at du vender kniven for at forlænge dens levetid og med jævne mellemrum skærper den (udføres af et kvalificeret værksted), eller udskift den med en ny kniv, når det er nødvendigt.

Rengør buskrydderen efter hver brug

Se afsnittet **Vedligeholdelse** for oplysninger om rengøring.

⚠ ADVARSEL: Sørg for, at kniven er standset helt før rengøring eller udførelse af service på buskrydderen. Manglende overholdelse af anvisningerne vil kunne medføre alvorlig personskade.

START/STOP AF VÆRKTØJET

Se afsnittet **"START / STOP AF MOTORDELEN"** i brugsanvisningen til motordel PH1400E.

VEDLIGEHOLDELSE

⚠ ADVARSEL: Før eftersyn, rengøring eller service på enheden standses motoren. Vent til alle bevægelige dele er standset, og fjern batteripakken. Efterkommes disse anvisninger ikke, kan det medføre alvorlig personskade eller materielle skader.

⚠ ADVARSEL: Ved service må der kun bruges originale reservedele. Brug af andre reservedele kan medføre fare eller forårsage skader på produktet. For at sikre sikkerhed og pålidelighed skal alle reparationer udføres af en kvalificeret servicetekniker.

⚠ ADVARSEL: Bær altid kraftige handsker, når du installerer eller fjerner kniven eller skærmen eller udfører vedligeholdelsesarbejde på kniven. Vær forsigtig med kniven, og beskyt dine hænder mod at blive skåret af kniven.

ALMINDELIG VEDLIGEHOLDELSE

Undgå at bruge opløsningsmidler ved rengøring af plastdele. De fleste plastmaterialer risikerer at blive ødelagt ved brug af forskellige typer af alment tilgængelige opløsningsmidler. Brug rene klude til at fjerne snavs, støv, olie, fedt osv.

RENGØRING AF APPARATET

- Fjern batteriet
- Efter hver brug skal du fjerne snavs, jord- eller græsklumper på kniven og skærmen med en blød børste.
- Tør værktøjets overflade af med en ren klud, fugtet med en mild sæbeopløsning.
- Brug en lille børste eller en lille støvsuger til at rengøre lufthullerne på det bagerste kabinet.
- Hold lufthullerne fri for forhindringer.

Når kniven bliver sløv, dvs. begge knivens æg er sløve, så lad den skærpe på et kvalificeret værksted, eller udskift med en ny kniv efter behov.

UDSKIFTNING AF KNIVEN

⚠ ADVARSEL: En slidt, revnet eller beskadiget kniv kan gå i stykker, og stykker af den beskadigede kniv kan blive farlige som projektiler. Genstande, der slynges ud, kan føre til alvorlige kvæstelser. Undersøg kniven regelmæssigt, og lad være med at bruge buskrydderen med en slidt eller beskadiget kniv.

⚠ ADVARSEL: Brug korrekt øjenbeskyttelse, når kniven tages af, skærpes og monteres.

Aftagning af kniven

1. Fjern batteriet.
2. Drej den ydre flange, så noten i den indre flange flugter med hullet til låsning af skaffet i gearhuset, og sæt den medfølgende unbrakonøgle i de flugtende huller som stabilisator som vist i afsnittet "MONTERING AF KNIVEN".

3. Anbring buskrydderhovedet mod en fast overflade for støtte. Med den ene hånd holdes kniven, og i den anden hånd holdes den medfølgende multifunktions-skruenøgle; løsn møtrikken i pilens retning markeret på den ydre flange, og fjern møtrikken og den ydre flange samt den slidte kniv (fig. L).
4. Undersøg og udskift den indre flange og flangekappen, hvis de er slidte (fig. M).

Beskrivelse af dele på fig. M, se nedenfor:

M-1	Motorskaft	M-5	Ydre flange
M-2	Indre flange	M-6	Møtrik
M-3	Flangekappe	M-7	Not i den indre flange
M-4	Kniv		

5. Monter den nye kniv på motorakslen i rækkefølgen vist i fig. M. Følg beskrivelsen i trin 5, 6 og 7 i afsnittet "MONTERING AF KNIVEN".

TRANSMISSIONSGEARENES SMØRING

Transmissionsgearene i gearkassen skal smøres regelmæssigt med gearfedt. Kontrollér oliestanden i gearkassen for hver ca. 50 timers drift ved at fjerne lukkeskruen på siden af gearkassen.

Hvis der ikke er fedt på siderne af gearet, skal du følge trinnene nedenfor og fylde 3/4 op med fedt.

Fyld ikke transmissionsgearene helt op.

1. Hold buskrydderen, så lukkeskruen vender opad (fig. N).
2. Brug multifunktions-skruenøglen til at løsne og fjerne låseskruen.
3. Brug en fedtsprøjte (medfølger ikke) til at pumpe fedt ind i skruehullet.
4. Når der er presset fedt ind, spændes lukkeskruen.

OPBEVARING AF APPARATET

- Fjern batteripakken fra værktøjet.
- Brug kraftige handsker til grundig rengøring af værktøjet.
- Sæt knivens skede på kniven for sikker opbevaring (fig. O).
- Tag buskryddertilbehøret af motordelen, og sæt om nødvendigt endedækslet på tilbehørsskaffet.
- Opbevar apparatet på et tørt og godt ventileret sted, der er låst og utilgængeligt for børn. Opbevar ikke apparatet på eller ved siden af kunstgødning, benzin eller andre kemikalier.

DK

Beskyttelse af miljøet



Smid ikke elektrisk udstyr, batterioplader og batterier / genopladelige batterier i affaldsspanden!

Ifølge EU-direktiv 2012/19/EU og EU-direktiv 2006/66/EF skal henholdsvis elektrisk og elektronisk udstyr, der ikke længere er brugbart, og defekte eller brugte batterier / batteripakker indsamles særskilt.

Hvis elektriske apparater smides på lossepladsen eller affaldsdeponier kan der sive giftige stoffer ned i grundvandet og komme ud i fødekæden og gøre skade på menneskers sundhed og velfærd.

DK

EU-OVERENSSTEMMELSESERKLÆRING

Vi, EGO EUROPE GMBH

Wahlwiesenstrasse 1, D-71711 Steinheim an der Murr
Deutschland

Erklærer, at produkt **56V lithium-ion akku buskrydder-tilbehør BCA1200**, udstyret med motordel PH1400E

er i overensstemmelse med de væsentlige sikkerheds- og sundhedskrav i følgende direktiver:

2006/42/EF, 2014/30/EU 2011/65/EU, 2000/14/EF

Standarder og tekniske specifikationer, der henvises til:

EN ISO 11806-1, EN 60745-1, EN 55014-1, EN 55014-2

Målt lydeffektniveau: 96,5 dB(A).

Garanteret lydeffektniveau: 98 dB(A).

Peter Melrose
Administrerende direktør for
EGO Europe GmbH

Dong Jianxun
Quality Manager i
Chervon

* (Autoriseret repræsentant for CHERVON og ansvarlig for teknisk dokumentation)

01/12/2016

FEJLFINDING

PROBLEM	ÅRSAG	LØSNING
Buskrydderen vil ikke starte.	<ul style="list-style-type: none">▪ Batteripakken er ikke sat i motordelen.▪ Ingen elektrisk kontakt mellem motordel og batteripakke.▪ Batteripakken er afladet.▪ Låsehåndtag og startknappen er ikke blevet trykket ned samtidigt.	<ul style="list-style-type: none">▪ Sæt batteripakken i motordelen.▪ Tag batteriet ud, kontrollér kontakterne, og sæt batteripakken i igen, indtil den klikker på plads.▪ Oplad batteriet med de opladere fra EGO, der er anført i denne vejledning.▪ Tryk låsehåndtaget ned, og hold det, tryk derefter på startknappen for at starte buskrydderen.
Buskrydderen stopper under arbejdet.	<ul style="list-style-type: none">▪ Motoren er overbelastet.▪ Batteripakken eller motordelen er for varm.▪ Batteripakken er taget af værktøjet.▪ Batteripakken er afladet.	<ul style="list-style-type: none">▪ Motoren vil begynde at køre igen, når belastningen ophører. Forminsk belastningen på motordelen, når der arbejdes igen.▪ Lad batteripakken eller motordelen køle ned, indtil temperaturen kommer under 67 °C.▪ Sæt batteripakken på plads igen.▪ Oplad batteriet med de opladere fra EGO, der er anført i denne brugsanvisning.

DK

GARANTI

EGO's GARANTIPOLITIK

Besøg venligst hjemmesiden egopowerplus.com for fuldstændige vilkår og betingelser for EGO's garantipolitik.

LÄS IGENOM ALLA INSTRUKTIONER!



LÄS IGENOM BRUKSANVISNINGEN

⚠ Kvarstående risker! Personer med elektroniska implantat såsom hjärtstimulatorer bör konsultera sin(a) läkare innan de använder denna produkt. Användning av elutrustning nära en hjärtstimulator kan störa eller avbryta dess funktion.

⚠ WARNING! Alla reparationer bör utföras av en kvalificerad servicetekniker för att upprätthålla produktens säkerhet och driftssäkerhet.

SE SÄKERHETSSYMBOLER

Syftet med säkerhetssymboler är att fästa din uppmärksamhet på eventuella risker. Säkerhetssymbolerna och deras betydelser bör uppmärksammas nog och förstås. Själva varningssymboler kan dock inte förebygga någon fara. De instruktioner och varningar som de hänvisar till kan aldrig ersätta lämpliga olycksförebyggande åtgärder.

⚠ WARNING! Se till att läsa igenom och förstå alla säkerhetsinstruktioner i bruksanvisningen, inklusive alla varningssymboler såsom **“RISK”**, **“WARNING”** och **“VAR FÖRSIKTIG”**, innan produkten tas i bruk. Underlåtenhet att följa alla nedan angivna instruktioner kan leda till elstöt, brand och/eller svår personskada.

YMBOLERNAS BETYDELSE

⚠ SÄKERHETSRELATERAD VARNINGSSYMBOL:

Betecknar **RISK**, **WARNING** eller **VAR FÖRSIKTIG**. Kan förekomma i samband med andra symboler eller piktogram.



⚠ WARNING! Arbeta med eldrivna verktyg kan medföra att främmande föremål slungas upp i ögonen vilket kan orsaka svåra ögonskador. Ta alltid på dig skyddsglasögon eller skyddsglasögon med sidoskydd och vid behov ett komplett ansiktsskydd innan du börjar arbeta med eldrivna verktyg. Vi rekommenderar att använda en Wide Vision Safety Mask ovanpå glasögon eller vanliga skyddsglasögon med sidoskydd.

SÄKERHETSINSTRUKTIONER

På denna sida anges säkerhetssymboler som kan förekomma på produkten. Alla instruktioner som anges på enheten bör granskas, förstås och följas innan du försöker montera och använda den.

	Säkerhetsvarning	Indikerar en potentiell risk för personskador.
	Läs igenom bruksanvisningen	Användaren bör läsa igenom och förstå bruksanvisningen innan produkten tas i bruk för att minska risken för personskada.
	Använd skyddsglasögon!	Ha alltid på dig skyddsglasögon eller skyddsglasögon med sidoskydd och ett komplett ansiktsskydd under arbete med denna produkt.
	Använd skyddshörsel	Stångsågens ljudnivå kan skada din hörsel. Använd alltid bullerskydd (öronproppar eller hörselkåpor) för att skydda din hörsel.
	Använd skyddshjälm	Använd en godkänd skyddshjälm för att skydda huvudet.
	Använd skyddshandskar	Skydda dina händer med handskar när sågen och sågkedjan hanteras. Kraftiga och halkfria handskar förbättrar ditt grepp och skyddar dina händer.
	Använd skyddsskor	Använd halkfria skyddsskor vid användning av denna utrustning.
	Klippbredd	Max. skärbredd för busktrimmern
	Var försiktig med maskinens kastbenägenhet	Varna användaren för faran med maskinens kastbenägenhet.

	Rikoschett	Slungade objekt kan rikoschettera och resultera i personsador eller skada på egendom.
	Håll obehöriga på avstånd	Se till att övriga personer och husdjur håller ett avstånd på minst 15 meter från busktrimmern när den används.
	Inga runda skärblad	Montera inte runda skärblad.
	Får inte utsättas för regn	Använd inte i regn och lämna inte heller utomhus när det regnar.
	CE	Denna produkt är i enlighet med gällande EC-direktiv.
	WEEE	Förbrukade elektriska produkter får inte kastas i hushållssoporna. Lämna in dem till en auktoriserad återvinningsstation.
	Brus	Garanterad ljudeffektivitet. Bulleremissioner för omgivningen enligt EU-direktivet.
V	Volt	Spänning
mm	Millimeter	Längd eller storlek
cm	Centimeter	Längd eller storlek
in.	Inch	Längd eller storlek
kg	Kilogram	Vikt

VIKTIGA SÄKERHETSINSTRUKTIONER

⚠ VARNING! Grundläggande försiktighetsåtgärder bör alltid vidtas vid användning av grästrimmers för att minska risken för brand, elstöt och personskada, bl a de nedan angivna:

LÄS NOGA IGENOM FÖRE ANVÄNDNING

SPARA FÖR FRAMTIDA BEHOV

⚠ FARA! Lita inte enbart på verktygets isolering för skydd mot elstöt. Maskinen får aldrig användas nära ledningar eller kablar (el osv) som kan vara spänningssatta.

⚠ FÖRSIKTIGHET! Ha på dig lämpligt hörselskydd under arbetet. I vissa förhållanden och vid längre användning kan buller från produkten bidra till hörselnedsättning.

Utbildning

- Läs noga igenom instruktionerna. Lär känna styrenheterna och korrekt användning av maskinen.
- Låt inga personer som inte är förtrogna med dessa instruktioner använda maskinen. Lokala föreskrifter kan begränsa användarens ålder.
- Glöm inte att operatören eller användaren ansvarar för olyckor och risker som andra personer eller deras egendom utsätts för.

Förberedelse

- Maskinen får inte användas i närheten av andra människor, särskilt barn, eller husdjur.
- Använd alltid skyddsglasögon och kraftiga skor under arbete med denna maskin.
- Avståndet mellan maskinen och åskådare måste vara minst 15 meter.

Användning

- Maskinen får endast användas i dagsljus eller bra belysning.
- Maskinen får inte användas med skadade skydd eller skärmar eller utan påmonterade skydd eller skärmar.
- Motorn får startas först när händerna och fötterna är på säkert avstånd från trimmerhuvudet.
- Koppla alltid ur maskinen från strömkällan (dvs dra ut stickproppen ur uttaget eller avlägsna säkerhetsnyckeln):
 - När maskinen lämnas utan uppsyn;
 - Innan man avlägsnar en tilltappning;
 - Före kontroll, rengöring eller ingrepp på maskinen;
 - Efter stöt mot ett hinder;
 - När maskinen börjar vibrera onormalt.
- Undvik hand- och fotskador pga trimmerhuvudet.
- Se alltid till att luftöppningarna är fria från skräp.

Underhåll och förvaring

- Koppla ur maskinen från strömkällan (dvs dra ut stickproppen ur uttaget eller avlägsna säkerhetsnyckeln) före underhåll eller rengöring.
- Använd endast reservdelar och tillbehör som rekommenderas av tillverkaren.
- Granska maskinen och utför underhåll regelbundet. Reparationer får endast utföras av en auktoriserad reparatör.

SE

- Förvara maskinen oåtkomligt för barn medan den inte används.

Övriga säkerhetsvarningar

- **Håll barn borta** - Alla besökare måste hållas på ett avstånd på minst 15 meter från arbetsområdet.
- **Undvik farliga miljöer** - Grässtrimmers får inte användas i fuktiga eller våta miljöer.
- **Stäng alltid av busktrimmern eller ta ut batteripacket när verktyget lämnas obevakat.**
- **Grässtrimmern får inte användas i regn.**
- **Ha på dig lämpliga kläder** - Använd inga löst sittande kläder eller smycken. De kan fastna i rörliga maskindelar. Gummihandskar och kraftiga skor rekommenderas vid arbete utomhus. Täck över långt hår.
- **Använd skyddsglasögon** - Använd alltid ett ansiktsskydd eller en dammask i dammiga miljöer.
- **Använd rätt verktyg** - Maskinen får inte användas för något annat ändamål än det avsedda.
- **Forcera inte busktrimmern** - Den sköter sitt jobb bättre och med mindre risk för personsador i den takt som är den avsedd för.
- **Var uppmärksam - Se vad du gör.** Använd sunt förnuft. Trimmern får inte användas medan du är trött.
- **Använd inte busktrimmern under påverkan av alkohol eller droger.**
- **Se till att skydden är påmonterade och i funktionsdugligt skick.**
- **Håll händer och fötter borta från skärområdet.**
- **Förvara busktrimmern inomhus** - När busktrimmern inte används ska den förvaras inomhus på en torr och hög eller låst plats med batteripacket utplockat – utom räckhåll för barn.
- **Underhåll busktrimmern med försiktighet** - Håll skärenheten ren för bästa prestanda och för att minska risken för personsador. Följ instruktionerna för hur man byter ut tillbehör. Håll handtagen torra, rena och fria från olja och fett.
- **Kontrollera efter skadade delar** - Innan busktrimmern används igen måste ett skydd eller någon annan del som är skadad kontrolleras noga för att fastställa att den fungerar korrekt och utför sin avsedda funktion. Kontrollera efter felinställning av rörliga delar, bindning av rörliga delar, brott på delar, fästen och alla andra tillstånd som kan påverka användningen. Ett skydd eller någon annan del som är skadad bör repareras eller bytas ut av ett auktoriserat servicecenter såvida annat inte anges i denna bruksanvisning.

- **Se till att alla fästansordningar är säkert på plats.** Säkerställ att skärenhetens skydd är korrekt monterat och i den position som rekommenderas av tillverkaren.
- **Rensa området som ska beskåras före varje användning.** Ta bort alla objekt som t.ex. stenar, krossat glas, spikar, ledningar eller trådar som kan slungas ut eller trasslas in i skärenheten. Se till att inga barn, åskådare eller husdjur är inom området. Håll barn, åskådare och husdjur på ett avstånd av minst 15 meter, det finns en risk för personsador från slungade objekt även utanför säkerhetszonen. Uppmuntra åskådare att använda skyddsglasögon.
- **Håll alltid busktrimmern ordentligt under användning med båda händerna på handtagen. Håll fingrarna och tummarna runt handtagen.**
- **Undvik oavsiktlig start** - Bär inte busktrimmern med fingret på gasreglaget.
- **Använd inte busktrimmern i gasformiga eller explosiva miljöer.** Motorerna i dessa apparater avger normalt gnistor, som kan antända ångor.
- **Skada på busktrimmern** - Om du träffar ett främmande objekt med busktrimmern eller om den fastnar, stäng omedelbart av verktyget, kontrollera efter skador och reparera eventuella skador innan verktyget används igen. Använd inte med trasigt skydd eller skärblad.
- **Om utrustningen börjar vibrera onormalt, stoppa omedelbart motorn och leta efter orsaken.** Vibrationen är vanligtvis en varning för problem. Ett löst skärblad kan vibrera, spricka, gå sönder eller lossna från busktrimmern, vilket kan resultera i allvarliga personsador eller dödsfall. Se till att skärenheten är korrekt och säkert fastsatt. Byt omedelbart ut skärbladet om det lossnar efter att monterats på plats. Använd aldrig en busktrimmern med en lös skärenhet.
- **För att minska risken för personsador vid tappad kontroll, använd aldrig verktyget från en stege eller annat ostadigt stöd. Håll aldrig skärenheten ovanför midjehöjd.**
- **Håll ett bra fotfäste och balans.** Sträck inte på dig. Håll skärenheten under midjenivå. Håll alla kroppsdelar borta från den roterande skärenheten.
- Byt omedelbart ut ett sprucket, skadat eller slitet skärblad, även om skadan är begränsad till ytliga sprickor. Dessa tillbehör kan splittras i hög hastighet och orsaka allvarliga personsador eller dödsfall.
- Kontrollera skärtillbehöret med regelbundna och korta intervaller och kontrollera det omedelbart om du upplever en märkbar förändring av beskärningen.

- **Om någon närmar sig dig, stoppa motorn och skärenheten.** När skärbladsenheter används finns det en ökad risk för att åskådare skadas av det rörliga skärbladet vid händelse av maskinens kastbenägenhet eller annan oväntad reaktion av skärbladet.
- **Varna användaren för faran med maskinens kastbenägenhet.**
 - Maskinens kastbenägenhet inträffar när det snurrande skärbladet får kontakt med ett objekt som inte kapas omedelbart.
 - Maskinens kastbenägenhet kan vara kraftig nog för att flytta på enheten och/eller användaren i någon riktning, vilket kan leda till att kontrollen över enheten tappas.
 - Maskinens kastbenägenhet kan inträffa utan förvarning om bladet fastnar, stannar eller binds fast.
 - Det är större risk för maskinens kastbenägenhet i områden där det är svårt att se materialet som beskärs.
- **Montera inte skärbladet till en enhet utan korrekt installation av alla nödvändiga delar. Underlåtenhet att använda korrekta delar kan få skärbladet att flyga av och allvarligt skada användaren och/eller åskådare.** Kassera skärblad som är böjda, skeva, spruckna, trasiga eller skadade på något sätt. Använd ett vasst skärblad. Det är större risk för att ett slött skärblad fastnar och kastas.
- **Ett fritt roterande skärblad kan orsaka personsador när det fortsätter snurra efter att motorn stoppats eller gasreglaget släppts upp. Upprätthåll lämplig kontroll över apparaten tills skärbladet har stannat fullständigt.**
- **Batteripacket får inte laddas i regn eller väta.**
- Använd endast med nedan angivna batteripack och laddare:

BATTERI	LADDARE
BA1120E, BA2240E, BA2800	CH2100E CH5500E

- **Ta ut batteripacket ur maskinen innan den kasseras.**
- **Batteriet får inte kastas i eld.** Cellerna kan explodera. Rådfråga lokala myndigheter om eventuella särskilda regler om hantering
- **Försök aldrig att öppna eller bryta sönder batteriet.** Utläckt elektrolyt är frätande och kan skada ögonen eller huden. Den kan vara giftig vid förtäring.
- **Hantera batterier försiktigt för att undvika kortslutning pga strömförande material såsom ringar, armband och nycklar.** Batteriet eller det strömförande föremålet kan bli hett och orsaka brännsår.

- **Reservdelar** - Vid service, används endast identiska reservdelar från EGO. Användning av andra tillbehör och tillsatser kan öka risken för personsador.
- **Batteridrivna verktyg behöver inte anslutas till ett uttag; därför är de alltid användningsklara.** Var medveten om eventuella risker medan det batteridrivna verktyget inte används. Var försiktig vid underhåll eller service.
- **Ta ut eller koppla från batteripacket före service, rengöring eller borttagning av objekt från busktrimmern.**
- **Spola inte med vatten; undvik intrång av vatten i motorn och elkopplingarna.**
- **Om situationer uppstår som inte tas upp i denna manual, var försiktig och använd sunt förnuft. Kontakta EGO kundservice för hjälp.**
- **Spara dessa instruktioner.** Läs dem ofta och använd dem för att instruera eventuella övriga användare av enheten. Om du lånar enheten till någon bör dessa instruktioner följa med för att förebygga eventuell fel användning och personskada.

SE

OBS! SE MOTORENHETENS BRUKSANVISNING FÖR KOMPLETTERANDE SÄKERHETSREGLER.

SPECIFIKATIONER

Klippbredd	30 cm	
Obelastad hastighet	5000/6000 min ⁻¹	
Vikt (utan batteripack)	1,82 kg	
Uppmätt ljudeffektnivå L _{WA}	96,5 dB(A) K= 1,88 dB(A)	
Ljudtrycksnivå vid operatörens öra L _{PA}	84,5 dB(A) K= 3 dB(A)	
Garanterad ljudeffektnivå L _{WA} (uppmätt i enlighet med 2000/14/EC)	98 dB(A)	
Vibration a _h	Främre handtag	2,8 m/s ² k=1,6 m/s ²
	Bakre handtag	2,8 m/s ² k=1,6 m/s ²

- Ovanstående parametrar har testats och utmätts med motorenhet PH1400E.
- Det angivna totalvärdet för vibration är uppmätt enligt standardprovningmetoden och kan användas för att jämföra olika verktyg;
- Det angivna totalvärdet för vibration kan även användas vid preliminär utvärdering av exponering.

OBS! Den verkliga vibrationen under arbete med det eldrivna verktyget kan avvika från det angivna värdet. Användaren bör ha på sig lämpliga handskar och hörselskydd för de aktuella arbetsförhållandena för att skydda sig.

Rekommenderat skärblad

ARTIKELNAMN	MODELLNUMMER
Skärblad för buskskärare	ABB1203

LEVERANSLISTA

ARTIKELNAMN	ANTAL
Tillsats för busktrimmer	1
Sats med skärblad och slida	1
Skydd	1
Skyddstillbehör (ENDAST för användning med trimmerhuvud)	1
Sexkantnyckel	1
Multifunktionell skiftnyckel	1
Bruksanvisning	1

SE

BESKRIVNING

LÄR KÄNNA DIN TILLSATS FÖR BUSKTRIMMER (bild A)

1. Ändlock
2. Axel för busktrimmer
3. Skydd
4. Skärblad
5. Slida för skärblad
6. Vajerklammer
7. Tätningsskruv
8. Växelhus
9. Låsningshål för axel
10. Yttre fläns
11. Multifunktionell skiftnyckel
12. Insexnyckel
13. Skyddstillbehör (ENDAST för användning med trimmerhuvud)

⚠ VARNING! Använd aldrig verktyget utan att skyddet är korrekt på plats. Skyddet måste alltid vara monterat på verktyget för att skydda användaren.

⚠ VARNING! När verktyget används som en kanttrimmer, monterad med ett trimmerhuvud, bör skyddstillbehöret vara monterat på skyddet. Underlåtenhet att följa detta kan resultera i en för lång skärtråd och att motorn överbelastas.

MONTERING

⚠ VARNING! Om någon av delarna skadats eller saknas, använd inte denna produkt förrän delarna har bytts ut. Användning av denna produkt med skadade eller saknade delar kan resultera i allvarliga personsador.

⚠ VARNING! Försök inte att modifiera denna produkt eller skapa tillbehör som inte rekommenderas för användning med denna trädtrimmer. Alla sådana ändringar eller modifikationer är felaktig användning och resulterar i farliga förhållanden som kan leda till allvarliga personsador.

⚠ VARNING! Använd alltid kraftiga handskar vid montering eller borttagning av skärbladet, skyddet eller vid underhåll av skärbladet. Var försiktig med skärbladet och skydda dina händer från att skadas av skärbladet.

⚠ VARNING! Anslut inte motorenheten förrän monteringen är slutförd. Underlåtenhet att följa detta kan resultera i oavsiktlig maskinstart och allvarliga personsador.

OBS! Den korrekta monteringssekvensen för busktrimmerns tillbehör är att först montera skyddet, sedan skärbladet och slutligen att montera motorenheten.

⚠ VARNING! Använd aldrig verktyget utan att skyddet och det främre handtaget med barriärstängan är på plats. Underlåtenhet att följa detta kan resultera i allvarliga personsador.

MONTERA SKYDDET

1. Lyft upp busktrimmerns huvud och rikta det neråt. Rikta in de två monteringshålen i skyddet med de två bultarna som är förmonterade på monteringsdelen. Se till att den interna ytan på skyddet är riktat mot busktrimmerns huvud (bild C).
2. Lås skyddet på plats med bultarna och medföljande insexnyckel (bild D).

MONTERA SKÄRBLADET

1. Skärbladet levereras med en slida. Innan du monterar skärbladet på busktrimmern bör slidan tas bort genom att ta bort vajerklammern från slidans ögla (bild E).

Bild E. Se nedan för beskrivning av delar:

E-1	Ögla
E-2	Vajerklammer

2. Roter den yttre flänsen för att rikta in skåran i den inre flänsen med låsningshålet för axeln på växelhuset (bild F).
3. För in insexnyckeln (medföljer) i de inriktade hålen för att fungera som en stabilisator (bild G).

Bild F och G. Se nedan för beskrivning av delar:

F-1	Växelhhus	F-3	Yttre fläns
F-2	Inriktade låsningshål för axeln	G-1	Stabilisator

4. Positionera busktrimmerns huvud mot en fast yta för support. Ta tag i busktrimmerns axel med ena handen och den multifunktionella skiftnyckeln (medföljer) med den andra handen, för att lossa på muttern i pilens riktning som hittas på den yttre flänsen och ta sedan bort muttern och den yttre flänsen. Spara dem för återmontering (bild H).
5. Montera skärbladet på motoraxeln, säkerställ att skärbladets yta är i jämnhöjd med ytan på den inre flänsens utbuktning. Montera den yttre flänsen och muttern (bild I). Dra åt muttern MOTURS för hand.

Bild I Se nedan för beskrivning av delar:

I-1	Utbuktning på inre fläns	I-4	Yttre fläns
I-2	Motoraxel	I-5	Skärblad
I-3	Mutter		

6. Vrid den yttre flänsen för att rikta in hålet i den inre flänsen med låshålet på axeln i växelhuset, för sedan in insexnyckeln (medföljer) i de inriktade hålen för att fungera som en stabilisator som tidigare visats i steg 2 och 3.
7. Positionera busktrimmerns huvud mot en fast yta för support. Ta tag i skärbladet med ena handen och den multifunktionella skiftnyckeln (medföljer) med den andra handen, för att dra åt muttern i pilens motsatta riktning som markeras på den yttre flänsen (bild J).

Använda skyddstillbehöret

OBS! När verktyget används som en kantrimmer, monterad med ett trimmerhuvud, måste skyddstillbehöret vara monterat på skyddet (bild K).

Säkerställ skyddstillbehöret till skyddet genom att dra åt de tre skruvarna med medföljande insexnyckel. Underlåtenhet att följa detta kan resultera i en för lång skärträd och att motorn överbelastas.

ANSLUTA TILLSATSEN FÖR BUSKTRIMMERN TILL MOTORENHETEN

Denna tillsats för busktrimmer är utvecklad för användning med EGO-motorenhet PH1400E.

Se avsnittet "MONTERA ETT TILLBEHÖR TILL MOTORENHETEN" i bruksanvisningen för motorenhet PH1400E.

ANVÄNDNING

⚠ VARNING! Var aldrig vårdslös, även om du är väl förtrogen med verktyget. Glöm inte att en bråkdel av en sekund av ouppmärksamhet är tillräcklig för att orsaka svåra personskador

⚠ VARNING! Ha alltid på dig skyddsglasögon med sidoskydd och även hörselskydd. Underlåtenhet att följa denna regel kan leda till ögonskador pga utslungade föremål och andra svåra personskador.

TILLÄMPNINGAR

Du kan använda denna produkt för de tillämpningar som listas nedan:

- Skära gräs, ogräs, vilda tillväxter och buskar, gallring ungskog med en maximal stamdiameter på 2 cm.

OBS! Verktyget får endast användas för sitt avsedda ändamål. All annan användning bedöms som felaktig användning.

ANVÄNDA TILLSATSEN FÖR BUSKTRIMMER MED MOTORENHETEN

⚠ VARNING! Använd korrekta kläder för att minska risken för personskador vid användning av detta verktyg. Använd inte löst sittande kläder eller smycken. Använd ögon- och öron-/hörselskydd. Använd rejåla långbyxor, kängor och handskar. Använd inte kortbyxor, sandaler eller gå barfota.

För en säkrare och bättre användning, använd axelremmen över din axel. Justera axelremmen för ett bekvämt arbetsläge. Håll busktrimmern med ena handen på det bakre handtaget och den andra handen på det främre handtaget. Håll verktyget stadigt med båda händerna vid användning. busktrimmern bör hållas i ett bekvämt läge med det bakre handtaget kring höfthöjd. Se till att du har ett bra grepp och god balans med båda fötterna. Positionerna dig så att du inte tappar balansen av rekylen från skärbladet (bild B).

⚠ VARNING! Axelremmen är även en snabb frigöringsmekanism vid farliga situationer. När ett nödläge inträffar, ta omedelbart av den från axeln oavsett vilket läge som remmen är i.

SE

För att skära vilda tillväxter och buskar, sänk ner det roterande skärbladet till tillväxten för att uppnå en hackande effekt. Använd busktrimmern som en lie (svep till höger och vänster) i marknivå. Använd inte skärenheten ovanför midjehöjd.

⚠ VARNING! Ju högre upp skärenheten hålls från marken, desto större risk för personskador på grund av utslungade objekt från sidan.

⚠ VARNING! Vid skärning av ungskog eller annat träbaserat material med upp till 2 cm diameter, använd skärbladets vänstra sida för att förhindra maskinens kastbenägenhet. Försök inte att skära trämaterial med en större diameter, eftersom skärbladet kan fastna eller rycka busktrimmern framåt. Detta kan orsaka skada på skärbladet eller busktrimmern eller innebära att du tappar kontrollen av busktrimmern, vilket kan leda till personskador.

SE

⚠ VARNING! Felaktig användning av busktrimmern kan få den att knäckas, bli kantstött eller spricka.

Utslungade delar kan skada användaren eller åskådare allvarligt. För att minska risken för personskador är det mycket viktigt att utföra följande försiktighetsåtgärder:

- Undvik kontakt med hårda eller fasta främmande föremål som t.ex. stenar, klippor och metalldelar.
- Skär aldrig trä eller buskar med en diameter som överstiger 2 cm.
- Inspektera skärbladet efter skador med korta regelbunda intervaller. Fortsätt inte arbeta med ett skadat skärblad.
- Vässa skärbladet regelbundet (när det är uppenbart slött) och balansera det om nödvändigt (överlåt till en behörig servicetekniker).

MASKINENS KASTBENÄGENHET

Var extremt försiktig när du använder skärbladet med denna enhet. Maskinens kastbenägenhet är reaktionen som kan inträffa när det snurrande skärbladet får kontakt med något som inte kan skäras. Denna kontakt kan få skärbladet att tillfälligt stoppas och plötsligt "kasta" enheten från objektet som träffades. Detta kast kan vara kraftigt nog för att användaren tappar kontrollen över enheten. Maskinens kastbenägenhet kan inträffa utan förvarning om bladet fastnar, stannar eller binds fast. Det är större risk för att detta inträffar i områden där det är svårt att se materialet som beskärs. För enkel och säker beskärning, svep busktrimmern från höger till vänster över ogräset som ska klippas. Vid händelse av att ett oväntat objekt eller en trästock träffas kan detta förfarande minimera skärbladets kastbenägenhet.

Kontrollera efter skadade/slitna delar före varje användning.

Kontrollera skärbladet, skyddet och det främre handtaget och byt ut delar som är spruckna, skeva, böjda eller skadade på något sätt.

Skärbladets egg kan bli slött efter ett tag. Det rekommenderas att du vänder på skärbladet för att utöka dess livslängd och periodvis vässa det (överlåt till en behörig servicetekniker) eller byta ut det mot ett nytt skärblad vid behov.

Rengör busktrimmern efter varje användning

Se avsnittet **UNDERHÅLL** för rengöringsinstruktioner.

⚠ VARNING! Säkerställ att skärbladet har stannat helt före rengöring eller service utförs på busktrimmern. Underlåtenhet att följa detta kan resultera i allvarliga personskador.

STARTA/STOPPA VERKTYGET

Se avsnittet **"STARTA/STOPPA MOTORENHETEN"** i bruksanvisningen för motorenhet PH1400E.

UNDERHÅLL

⚠ VARNING! Före inspektion, rengöring eller service av enheten, stoppa motorn, vänta tills alla rörliga delar har stoppats och ta sedan ut batteripacket. Underlåtenhet att följa dessa instruktioner kan resultera i allvarliga personskador eller skada på egendom.

⚠ VARNING! Vid service, används endast identiska utbytesdelar. Om andra delar används kan det skapa en fara eller orsaka produktskador. För att garantera en säker och pålitlig användning måste alla reparationer utföras av en kvalificerad servicetekniker.

⚠ VARNING! Använd alltid kraftiga handskar vid montering eller borttagning av skärbladet eller vid underhåll av skärbladet. Var försiktig med skärbladet och skydda dina händer från att skadas av skärbladet.

ALLMÄNT UNDERHÅLL

Använd inte lösningsmedel när du rengör plastdelarna. De flesta plaster är känsliga för skador från olika typer av kommersiella lösningsmedel och kan skadas av dess användning. Använd rena trasor för att ta bort smuts, damm, olja, fett osv.

RENGÖRING AV MASKINEN

- Ta ut batteriet
- Efter varje användning, ta bort skräp, stockad jord eller gräs från skärbladet och skyddet med en mjuk borste.

- Torka av verktygets yta med en ren trasa fuktad med en mild tvålösning.
- Använd en liten borste eller en liten dammsugare för att rengöra luftventilerna på det bakre höljet.
- Se till att luftventilerna inte blockeras.

När skärbladet blir slött är bägge eggarna slöa. Vässa det hos en behörig servicetekniker eller byt ut mot ett nytt skärblad om nödvändigt.

BYTA UT SKÄRBLADET

⚠ VARNING! Ett slitet, sprucket eller skadat skärblad kan gå sönder och delar av det skadade skärbladet kan bli farliga projektiler. Slungade objekt iväg kan orsaka allvariga personskador. Inspektera skärbladet regelbundet och använd inte busktrimmern med ett slitet eller skadat skärblad.

⚠ VARNING! Använd lämpligt ögonskydd vid borttagning, vässning och montering av skärbladet.

För att ta bort skärbladet

1. Ta ut batteriet.
2. Vrid den yttre flänsen för att rikta in hålet i den inre flänsen med låshålet på axeln i växellådan, för sedan in skiftnyckeln (medföljer) i de inriktade hålen för att fungera som en stabilisator. Se steg 2 och 3 i avsnittet "**MONTERA SKÄRBLADET**".
3. Positionera busktrimmerns huvud mot en fast yta för support. Ta tag i skärbladet med ena handen och den multifunktionella skiftnyckeln (medföljer) med den andra handen, för att lossa på muttern i pilens riktning som hittas på den yttre flänsen och ta sedan bort muttern, den yttre flänsen och det slitna skärbladet (bild L).
4. Kontrollera och byt ut den inre flänsen och flänsskyddet om de är slitna (bild M).

Bild M. Se nedan för beskrivning av delar:

M-1	Motoraxel	M-5	Yttre fläns
M-2	Inre fläns	M-6	Mutter
M-3	Flänsskydd	M-7	Skåra i flänsen
M-4	Skärblad		

5. Montera det nya skärbladet på motoraxeln i sekvensen som visas i bild M. Följ stegen som instrueras i steg 5, 6 och 7 i avsnittet "**MONTERA SKÄRBLADET**".

SMÖRJNING AV VÄXELLÅDAN

Växellådan i växellådan måste smörjas regelbundet med växellådsolja. Kontrollera växellådans fettnivå efter varje 50 timmars användning genom att ta bort tätningsskruven på sidan av växellådan.

Om inget fett kan ses på sidorna av växellådan, följ stegen nedan för att fylla på med växellådsolja upp till 3/4 kapacitet.

Fyll inte upp den fullt.

1. Håll busktrimmern så att tätningsskruven är riktad uppåt (bild N).
2. Använd den multifunktionella skiftnyckeln (medföljer) för att lossa och ta bort tätningsskruven.
3. Använd en fettspruta (medföljer ej) för att applicera lite fett i skruvhålet.
4. Dra åt tätningsskruven efter appliceringen.

FÖRVARA ENHETEN

- Ta bort batteriet från verktyget.
- Använd kraftiga handskar vid ordentlig rengöring av verktyget.
- Montera skärbladets slida på skärbladet för säker hantering (bild O).
- Ta bort tillsatsen för busktrimmern från motorenheten och montera ändlocket på tillbehörets axel vid behov.
- Förvara enheten på en torr, välventilerad plats, inlåst eller högt upp, utom räckhåll för barn. Förvara inte enheten på eller i anslutning till gödningsmedel, bensin eller andra kemikalier.

Miljöskydd



Elektriska enheter, batteriladdare och batterier/uppladdningsbara batterier får inte kastas med hushållsavfall!

Enligt det europeiska direktivet 2012/19/EU ska uttjänta elektriska och elektroniska enheter samlas separat; samma gäller för defekta eller uttjänta batteripack/batterier enligt det europeiska direktivet 2006/66/EG.

Om elektriska enheter hamnar i soptippar eller avfallsdepåer kan farliga ämnen läcka ut till grundvattnet, hamna i närringskedjan och skada din hälsa och ditt välmående.

SE

EG-FÖRSÄKRAN OM ÖVERENSSTÄMMELSE



Vi, EGO EUROPE GMBH

Wahlwiesenstrasse 1, D-71711 Steinheim an der Murr
Deutschland

Försäkrar att produkten **tillsats för busktrimmer BCA1200 med 56 volts litium-jon-batteri**, utrustat med motorenhet PH1400E

Uppfyller de grundläggande kraven i följande direktiv om hälsa och säkerhet:

2006/42/EC, 2014/30/EU, 2011/65/EU, 2000/14/EC

Tillämpade standarder och tekniska specifikationer:

EN ISO 11806-1, EN 60745-1, EN 55014-1, EN 55014-2

Uppmätt ljudeffektnivå: 96,5 dB(A),

Garanterad ljudeffektnivå: 98 dB(A)

Peter Melrose
VD för EGO Europe GmbH

Dong Jianxun
Kvalitetsansvarig hos Chervon

* (Auktoriserad representant för CHERVON och ansvarig för teknisk dokumentation)

01/12/2016

FELSÖKNING

PROBLEM	ORSAK	ÅTGÄRD
Busktrimmern startar inte.	<ul style="list-style-type: none"> ■ Batteripacket är inte monterat på motorenheten. ■ Det saknas elektrisk kontakt mellan motorenheten och batteripacket. ■ Batteripacket är urladdat. ■ Säkringen och avtryckaren är inte nedtryckta samtidigt. 	<ul style="list-style-type: none"> ■ Montera batteripacket på motorenheten. ■ Ta bort batteriet, kontrollera kontaktarna och sätt tillbaka batteripacket tills det klickar på plats. ■ Ladda batteripacket med EGO-laddarna som listas i denna bruksanvisning. ■ Tryck in startspärren och håll den nertryckt, tryck sedan in gasreglaget för att slå på busktrimmern.
Busktrimmern stoppas vid beskärning.	<ul style="list-style-type: none"> ■ Motorn är överbelastad. ■ Batteripacket eller motorenheten är överhettad. ■ Batteripacket är inte anslutet till verktyget ■ Batteripacket är urladdat. 	<ul style="list-style-type: none"> ■ Motorn hämtar igen sig när belastningen har tagits bort. För kontinuerlig användning, minska motorenhetens belastning. ■ Låt batteripacket eller motorenheten svalna tills temperaturen sjunker under 67 °C. ■ Anslut batteripacket igen. ■ Ladda batteripacket med EGO-laddarna som listas i denna bruksanvisning.

SE

GARANTI

GARANTIVILLKOREN AV EGO

Var god besök webbplatsen egopowerplus.com för att se de fullständiga garantivillkoren av EGO.

LAS IGENOM OCH FÖRSTA BRUKSANVISNINGEN!



LUE KÄYTTÄJÄN KÄSIKIRJA

⚠️ Kvarstående risker! Personer med elektroniska implantat såsom hjärtstimulatorer bör konsultera sin(a) läkare innan de använder denna produkt. Användning av elutrustning nära en hjärtstimulator kan störa eller avbryta dess funktion.

⚠️ VARNING! Alla reparationer bör utföras av en kvalificerad servicetekniker för att upprätthålla produktens säkerhet och driftssäkerhet.

SÄKERHETSSYMBOLER

Syftet med säkerhetssymboler är att fästa din uppmärksamhet på eventuella risker. Säkerhetssymbolerna och deras betydelser bör uppmärksammas nogga och förstås. Själva varningssymboler kan dock inte förebygga någon fara. De instruktioner och varningar som de hänvisar till kan aldrig ersätta lämpliga olycksförebyggande åtgärder.

⚠️ VARNING! Se till att läsa igenom och förstå alla säkerhetsinstruktioner i bruksanvisningen, inklusive alla varningssymboler såsom **“RISK”**, **“VARNING”** och **“VAR FÖRSIKTIG”**, innan produkten tas i bruk. Underlåtenhet att följa alla nedan angivna instruktioner kan leda till elstöt, brand och/eller svår personskada

YMBOLERNAS BETYDELSE

⚠️ SÄKERHETSRELATERAD VARNINGSSYMBOL: Betecknar **RISK**, **VARNING** eller **VAR FÖRSIKTIG**. Kan förekomma i samband med andra symboler eller piktogram.



⚠️ VARNING! Arbete med eldrivna verktyg kan medföra att främmande föremål slungas upp i ögonen vilket kan orsaka svåra ögonskador. Ta alltid på dig skyddsglasögon eller skyddsglasögon med sidoskydd och vid behov ett komplett ansiktsskydd innan du börjar arbeta med eldrivna verktyg. Vi rekommenderar att använda en Wide Vision Safety Mask ovanpå glasögon eller vanliga skyddsglasögon med sidoskydd.

SÄKERHETSINSTRUKTIONER

På denna sida anges säkerhetssymboler som kan förekomma på produkten. Alla instruktioner som anges på enheten bör granskas, förstås och följas innan du försöker montera och använda den.

	Säkerhetsvarning	Osoittaa mahdollista henkilövahinkojen vaaraa.
	Lue Käyttäjän Käsikirja	Tapaturmariskin pienentämiseksi käyttäjän täytyy lukea ja ymmärtää käyttäjän käsikirja ennen tuotteen käyttöä.
	Använd skyddsglasögon!	Käytä aina suojalaseja tai turvalaseja sivusuojilla ja kokokasvosuojusta, kun käytät tätä tuotetta.
	Använd hörselskydd	Varsisahan melu voi vaurioittaa kuuloasi. Käytä aina äänenesteitä (korvatulpat tai kuulonsuojaimet) suojaamassa kuuloasi.
	Käytä suojakypärää	Käytä hyväksyttyä suojakypärää suojataksesi pääsi.
	Käytä suojakäsineitä	Suojaa kätesi hansikkain, kun käsittelet sahaa ja teräketjuja. Kestävät, liukumattomat hansikkaat parantavat otetta ja suojaavat käsiäsi.
	Käytä turvajalkineita	Käytä luistamattomia turvajalkineita varusteen käytön aikana.
	Klippbredd	Raivaussahan maksimi leikkuleveys
	Varo terän työntövoimaa	Varoita käyttäjää terän takaiskun vaarallisuudesta.

	Kimpoamisvaara	Sinkoutuvat esineet voivat kimmota ja aiheuttaa henkilö- tai omaisuusvahingon.
	Häll obehöriga på avstånd	Varmista, että muut ihmiset ja lemmikit ovat vähintään 15 metrin päässä raivausahasta, kun se on käytössä.
	Ei pyöreää terää	Älä asenna siihen pyöreitä teriä.
	Får inte utsättas för regn	Älä käytä sateella tai jätä sitä ulos sateeseen.
	CE	Tämä tuote vastaa sovellettavia EU-direktiivejä.
	WEEE	Vanhoja sähkölaitteita ei saa hävittää kotitalousjätteen mukana. Vie laita valtuutettuun kierrätyslaitokseen.
	Melu	Taattu äänen tehotoso. Melupäästöt ympäristöön Euroopan yhteisön direktiivin mukaiset.
V	Volt	Jännite
mm	Millimetri	Pituus tai koko
cm	Senttimetri	Pituus tai koko
in.	Tuuma	Pituus tai koko
kg	Kilogramma	Paino

TÄRKEITÄ TURVALLISUUSOHJEITA

VAROITUS: Kun käytät trimmeriä, tiettyjä turvallisuuteen liittyviä varotoimenpiteitä tulee aina noudattaa tulipalon, sähköiskun ja henkilövahingon riskin pienentämiseksi. Niitä ovat esimerkiksi seuraavat:

LUE HUOLELLISESTI ENNEN KÄYTTÖÄ

SÄILYTÄ OHJEET HUOLELLISESTI

VAARA: Älä luota työkalun sähköiskueristykseen. Tappavan sähköiskun riskin pienentämiseksi älä koskaan käytä konetta (sähkö- jne.) johtojen tai kaapeleiden läheisyydessä, koska ne voivat kuljettaa sähkövirtaa.

HUOMAUTUS: Pidä käytön aikana asianmukaista kuulosuojainta. Tiettyissä käyttöolosuhteissa ja käytön kestäessä tietyn aikaa tuotteen melu voi aiheuttaa kuulovaurioita.

Ennen käyttöä

- Lue ohjeet huolellisesti. Perehdy hallintalaitteisiin ja koneen asianmukaiseen käyttöön.
- Älä anna näihin ohjeisiin perehtymättömien henkilöiden tai lasten koskaan käyttää konetta. Paikalliset säännöt voivat rajoittaa käyttäjän ikää.
- Muista, että laitteen käyttäjä on vastuussa muille henkilöille tai heidän omaisuudelleen sattuvista tapaturmista tai aiheutuvista vaaroista.

Käytön valmistelu

- Maskinen får inte användas i närheten av andra människor, särskilt barn, eller husdjur.
- Använd alltid skyddsglasögon och kraftiga skor under arbete med denna maskin.
- Avståndet mellan maskinen och åskådare måste vara minst 15 meter.

Användning

- Maskinen får endast användas i dagsljus eller bra belysning.
- Maskinen får inte användas med skadade skydd eller skärmar eller utan påmonterade skydd eller skärmar.
- Motorn får startas först när händerna och fötterna är på säkert avstånd från trimmerhuvudet.
- Koppla alltid ur maskinen från strömkällan (dvs dra ut stickproppen ur uttaget eller avlägsna säkerhetsnyckeln):
 - När maskinen lämnas utan uppsyn;
 - Innan man avlägsnar en tilltappning;
 - Före kontroll, rengöring eller ingrepp på maskinen;
 - Efter stöt mot ett hinder;
 - När maskinen börjar vibrera onormalt.
- Undvik hand- och fotskador pga trimmerhuvudet.
- Se alltid till att luftöppningarna är fria från skräp.

Underhåll och förvaring

- Koppla ur maskinen från strömkällan (dvs dra ut stickproppen ur uttaget eller avlägsna säkerhetsnyckeln) före underhåll eller rengöring.
- Använd endast reservdelar och tillbehör som rekommenderas av tillverkaren.
- Granska maskinen och utför underhåll regelbundet. Reparationer får endast utföras av auktoriserad reparatör.
- Förvara maskinen öatkomligt för barn medan den inte används.

Övriga säkerhetsvarningar

- **pidä lapset etäällä** – kaikkien ulkopuolisten tulisi pysyä vähintään 15 metrin päässä työskentelyalueesta.
- **Undvik farliga miljörer** - Grästrimmers får inte användas i fuktiga eller våta miljörer.
- **Sammuta raivaussaha tai poista akku aina, kun jätät työkalun ilman valvontaa.**
- Grästrimmern får inte användas i regn.
- **Ha på dig lämpliga kläder** - Använd inga löst sittande kläder eller smycken. De kan fastna i rörliga maskindelar. Gummihandskar och kraftiga skor rekommenderas vid arbete utomhus. Täck över långt hår.
- **Använd skyddsglasögon** - Använd alltid ett ansiktsskydd eller en dammask i dammiga miljörer.
- **Använd rätt verktyg** - Maskinen får inte användas för något annat ändamål än det avsedda.
- **Älä pakota raivaussahaa** – työ onnistuu paremmin ja turvallisemmin, kun laitetta käytetään sillä teholla, johon se on tarkoitettu.
- **Var uppmärksam** - Se vad du gör. Använd sunt förnuft. Trimmern får inte användas medan du är trött.
- **Älä käytä raivaussahaa, jos olet alkoholin tai huumeiden vaikutuksen alaisena.**
- **Se till att skydden är påmonterade och i funktionsdugligt skick.**
- **Pidä kätesi ja jalkasi etäällä sahasalueelta.**
- **Säilytä raivaussaha sisätiloissa** – Kun raivaussaha ei ole käytössä, se kannattaa säilyttää sisätiloissa kuivassa paikassa ja korkealla tai lukitussa tilassa ilman akkua. Pidä laite poissa lasten ulottuvilta.
- **Pidä raivaussaha kunnossa** – pidä sahalisäosa puhtaana, niin se toimii mahdollisimman hyvin. Tämä vähentää myös tapaturmavaaraa. Noudata lisävarusteiden vaihtamista koskevia ohjeita. Pidät kahvat kuivina, puhtaina sekä öljyttöminä ja rasvattomina.

FI

- **Tarkasta osien ehjyys** – Suojus tai muu vaurioitunut osa tulee tarkastaa huolellisesti, jotta sen voidaan määrittää toimivan asianmukaisella tavalla ja suorittavan sille tarkoitettua toimintaa. Tarkista liikkuvien osien kohdistus, liikkuvien osien kiinnitys, osien vauriot, asennus sekä kaikki muut seikat, jotka voivat vaikuttaa toimintaan. Suojus tai muu vahingoittunut osa tulee korjata kunnolla tai vaihdattaa valtuutetussa huoltoliikkeessä, ellei tässä käyttöoppaassa toisin sanota.
- **Varmista, että kaikki kiinnittimet ovat paikoillaan ja kiinni. Varmista, että leikkuuterän suojus on kunnolla kiinnitetty ja valmistajan suosittelemassa asennossa.**
- **Tyhjennä leikattava alue ennen jokaista käyttökertaa.** Poista kaikki esineet, kuten kivet, rikkoutunut lasi, naulat, vajjerit tai siimat, jotka voivat sinkoutua leikkulaitteesta tai sotkeutua siihen. Huolehdi, ettei alueella ole lapsia, sivullisia tai lemmikkejä. Pidä lapset, sivulliset ja lemmikkieläimet vähintään 15 metrin päässä. 15 metrin säteen ulkopuolellakin on sinkoutuvien esineiden vaara. Sivullisia tulee kannustaa pitämään suojalaseja.
- **Pidä raivaussahasta käytön aikana kunnolla kiinni, molemmat kädet kahvoilla. Kierrä sormet kahvojen ympärille.**
- **Estä tahaton käynnistyminen** – älä kanno raivaussahaa sormi liipaisimella.
- **Älä käytä raivaussahaa tiloissa, joissa on kaasua tai räjähdysvaara.** Näiden laitteiden moottorit kipinöivät, ja kipinät saattavat sytyttää höyryt.
- **Raivaussahan vahingoittuminen** – Jos raivaussaha osuu tuntemattomaan esineeseen tai tarttuu kiinni johonkin, sammuta työkalu välittömästi. Tarkasta laitteen vauriot ennen työskentelyn jatkamista. Älä käytä työkalua, jos sen suojus tai terä on vaurioitunut.
- **Jos laite alkaa täristä epätavallisesti, sammuta moottori ja etsi syy välittömästi.** Tärinä on tavallisesti merkki viasta. Löysä terä saattaa täristä, murtua, rikkoutua tai irrota raivaussahasta. Tämä saattaa johtaa vakavaan henkilövahinkoon tai jopa kuolemaan. Varmista, että leikkaava osa on kunnolla asennettu ja kiinnitetty. Jos terä löystyy sen jälkeen, kun se on kiinnitetty paikalleen, vaihda se välittömästi. Älä ikinä käytä raivaussahaa, jonka teräosa on löystynyt.
- **Älä koskaan työskentele tikkailla tai muilla epävakailta alustoilla hallinnan menetyksestä johtuvan loukkaantumisvaaran välttämiseksi. Älä ikinä pidä leikkaustyökalua vyötärötasoa korkeammalla.**

- **Seiso tukevasti ja tasapainossa.** Älä kurota liian pitkälle. Pidä leikkuuosaa vyötärön tason alapuolella. Pidä kaikki kehon osat poissa pyörivän leikkuuosan läheltä.
- Vaihda murtunut, vaurioitunut tai kulunut terä välittömästi, vaikka vahinko rajoittuisikin vain pintavaurioihin. Vaurioituneet osat saattavat särkyä kovissa nopeuksissa ja aiheuttaa vakavan henkilövahingon tai jopa kuoleman.
- Tarkasta leikkaava osa tasaisin väliajoin käytön aikana tai heti, jos laitteen leikkausteho muuttuu merkittävästi.
- **Jos joku lähestyy sinua, sammuta moottori ja leikkuulaite. Terälliset työkalut aiheuttavat takaiskuvaaaran tai muun odottamattoman terän reaktion, joka voi aiheuttaa henkilövahingon sivullisille**
- **Varoita käyttäjää terän takapotkun vaarallisuudesta.**
 - Takapotku saattaa tapahtua, kun pyörivä terä osuu kohteeseen, joka ei heti katkea.
 - Terän takapotku voi olla niin voimakas, että laite ja/ tai käyttäjä lennähtävät mihin tahansa suuntaan ja käyttäjä voi menettää laitteen hallinnan.
 - Terän takapotku tapahtuu ilman varoitusta, jos terä jää kiinni ja pysähtyy.
 - Takapotku tapahtuu usein alueilla, joissa sahattavaa materiaalia on vaikea nähdä.
- **Älä kiinnitä terää laitteeseen, ellei kaikkia tarvittavia osia ole kiinnitetty kunnolla. Kunnollisten osien käytön laiminlyönti voi aiheuttaa terän sinkoutumisen irti ja aiheuttaa vakavan henkilövahingon käyttäjälle ja/ tai sivullisille. Hävitä taipuneet, vääntyneet, murtuneet, rikkoutuneet tai muulla tavalla vaurioituneet terät. Käytä terävää terää. Tylsä terä jää kiinni helpommin ja aiheuttaa takapotkun.**
- **Liikkuva terä voi aiheuttaa henkilövahingon, jos se jatkaa pyörimistä moottorin sammuttamisen tai liipaisimen vapauttamisen jälkeen. Pidä työkalu kunnolla hallinnassa, kunnes terä on täysin pysähtynyt.**
- **Batteripacket får inte laddas i regn eller väta.**
- Använd endast med nedan angivna batteripack och laddare:

BATTERI	LADDARE
BA1120E, BA2240E, BA2800	CH2100E CH5500E

- **Ta ut batteripacket ur maskinen innan den kasseras.**
- **Batteriet får inte kastas i eld.** Cellerna kan explodera. Rådfråga lokala myndigheter om eventuella särskilda regler om hantering
- **Försök aldrig att öppna eller bryta sönder batteriet.** Utläckt elektrolyt är frätande och kan skada ögonen eller huden. Den kan vara giftig vid förtäring.
- **Hantera batterier försiktigt för att undvika kortslutning pga strömförande material såsom ringar, armband och nycklar.** Batteriet eller det strömförande föremålet kan bli hett och orsaka brännsår.
- **Varaosat** – Käytä huollon yhteydessä vain identtisiä EGO-varaosia. Muiden lisävarusteiden tai lisäosien käyttö saattaa aiheuttaa tapaturmavaaran.
- **Batteridrivna verktyg behöver inte anslutas till ett uttag; därför är de alltid användningsklara.** Var medveten om eventuella risker medan det batteridrivna verktyget inte används. Var försiktig vid underhåll eller service.
- **Poista tai irrota akku ennen kuin huollat, puhdistat tai poistat materiaalia raivaussahasta.**
- **Spola inte med vatten; undvik intrång av vatten i motorn och elkopplingarna.**
- **Jos kohtaat tilanteen, jota ei tässä käyttöoppaassa käsitellä, toimi varoen ja käytä omaa harkintakykyäsi. Pyydä lisäohjeita EGO-asiakaspalvelusta.**
- **Spara dessa instruktioner.** Läs dem ofta och använd dem för att instruera eventuella övriga användare av enheten. Om du lånar enheten till någon bör dessa instruktioner följa med för att förebygga eventuell fel användning och personskada.

HUOMIOI: KATSO AKKUPÄÄN KÄYTTÖOPPAASTA LISÄÄ ERITYISIÄ TURVALLISUUSOHJEITA.

SPECIFIKATIONER

Klippbredd	30 cm	
Tyhjäkäyntinopeus	5000/6000 min ⁻¹	
Vikt	1,82 kg	
Uppmätt ljudeffektnivå L _{WA}	96,5 dB(A) K= 1,88 dB(A)	
Ljudtrycksnivå vid operatörens öra L _{PA}	84,5 dB(A) K= 3 dB(A)	
Garanterad ljudeffektnivå L _{WA} (mitattu 2000/14/EC:n mukaisesti)	98 dB(A)	
Vibration a _n	Främre handtag	2,8 m/s ² k=1,6 m/s ²
	Bakre handtag	3,1 m/s ² k=1,6 m/s ²

FI

- Edellä esitetyt parametrit on testattu ja mitattu akkupään PH1400E kanssa.
- Det angivna totalvärdet för vibration är uppmätt enligt standardprovningmetoden och kan användas för att jämföra olika verktyg;
- Det angivna totalvärdet för vibration kan även användas vid preliminär utvärdering av exponering.

OBS! Den verkliga vibrationen under arbete med det eldrivna verktyget kan avvika från det angivna värdet. Användaren bör ha på sig lämpliga handskar och hörselskydd för de aktuella arbetsförhållandena för att skydda sig.

Suosittelu terä

ARTIKELNAMN	MALLIN NUMERO
Raivaussahan terä	ABB1203

LEVERANSLISTA

ARTIKELNAMN	ANTAL
Raivaussahalisäosa	1
Terä ja teränsuojus	1
Skydd	1
Suojuslisäosa (VAIN trimmeripäähän)	1
Sexkantnyckel	1
Monitoimiavain	1
Bruksanvisning	1

BESKRIVNING

RAIVAUSSAHALISÄOSAN OSAT (kuva A)

1. Päätytulppa
2. Raivaussahan varsi
3. Skydd
4. Terä
5. Teränsuojus
6. Kiinnityslanka
7. Tiivistysruuvi
8. Vaihteistokotelo
9. Varren lukitusreikä
10. Ulkolaippa
11. Monitoimiavain
12. Kuusiokoloavain
13. Suojuslisäosa (VAIN trimmeripäähän)

VAROITUS: Älä koskaan käytä työkalua ilman, että suoja on kunnolla paikallaan. Suojan on aina oltava työkalussa käyttäjän suojaamiseksi.

VAROITUS: Suojuslisäosa tulee asentaa suojukseen, jos työkalua käytetään siimaleikkurina, joka on varustettu trimmeripäällä. Tämän noudattamatta jättäminen voi aiheuttaa liian pitkää leikkuusiiman ja moottorin ylikuormittumisen.

KOKOONPANO

VAROITUS: Jos jokin osa on vahingoittunut tai puuttuu, älä käytä tuotetta ennen kuin osat on vaihdettu. Tuotteen käyttö silloin, kun siinä on vahingoittuneita osia tai osia puuttuu, saattaa aiheuttaa vakavan henkilövamman.

VAROITUS: Älä yritä muokata tätä laitetta tai luoda sille lisävarusteita, joita ei suositella käytettäväksi tämän siimaleikkurin kanssa. Mikä tahansa tällainen muokkaus tai muutos on vääriinkäyttöä ja saattaa aiheuttaa vaarallisen tilan, joka saattaa johtaa vakavaan henkilövammaan.

VAROITUS: Käytä aina paksuja käsineitä, kun asennat tai poistat terän tai suojuksen tai teet muita toimenpiteitä terälle. Varo terää, suojaa kätesi terän aiheuttamilta vammoilta.

VAROITUS: Älä yhdistä akkupäähän, ennen kuin laite on valmiiksi koottu. Tämän ohjeen noudattamatta jättäminen saattaa aiheuttaa tahattoman käynnistymisen ja johtaa vakavaan henkilövahinkoon.

HUOMAA: Oikean raivaussahan asennusjärjestys on sellainen, että suojus asennetaan ensin, sitten terä ja lopuksi yhdistetään akkupää.

VAROITUS: Älä ikinä käytä työkalua ilman, että suojus ja etuapukahva ovat kunnolla paikallaan. Tämän noudattamatta jättäminen saattaa aiheuttaa vakavan henkilövahingon.

SUOJUKSEN KIINNITTÄMINEN

1. Nosta raivaussahan päätä ja aseta se alaspäin; kohdista suojuksen kaksi asennusreikää kahteen pulttiin, jotka on asennettu valmiiksi kiinnityslevyyn. Varmista, että suojuksen sisäpinta on kohti raivaussahan päätä (kuva C).
2. Käytä mukana toimitettua kuusioavainta ja lukitse suojus paikoilleen pulteilla (kuva D).

TERÄN ASENTAMINEN

1. Terän mukana toimitetaan suojus. Ennen kuin asennat terän raivaussahaan, poista suojus kiertämällä kiinnityslanka irti suojuksen kourusta (kuva E).

Kuvien E osien kuvaus alla:

E-1	Koukku
E-2	Kiinnityslanka

2. Käännä ulkolaippaa ja kohdista sisälaipan kolo varren lukitusreikään vaihteistokotelossa (kuva F).
3. Työnnä mukana toimitettu kuusioavain kohdistettujen reikien läpi toimimaan vakaimena (kuva G).

Kuvien F ja G osien kuvaus alla:

F-1	Vaihdekotelo	F-3	Ulkolaippa
F-2	Kohdistetut varren lukitusreiät	G-1	Vakain

4. Aseta raivaussahan pää kiinteää pintaa vasten. Tartu toisella kädellä raivaussahan varteen ja pidä toisessa kädessä mukana toimitettua monitoimiavainta ja kierrä ulkolaipan mutteri irti nuolella merkittyyn suuntaan. Poista mutteri ja ulkolaippa. Laita ne talteen takaisin asentamista varten (kuva H).
5. Asenna terä moottorin karaan. Varmista, että terän pinta on sisälaipan ulokkeen tasossa. Asenna ulkolaippa ja mutteri (kuva I). Esikiristä mutteri **VASTAPÄIVÄÄN** sormikireyteen.

Kuvien I osien kuvaus alla:

I-1	Sisälaipan uloke	I-4	Ulkolaippa
I-2	Moottorin kara	I-5	Terä
I-3	Mutteri		

6. Käännä ulkolaippaa ja kohdista sisälaipan kolo varren lukitusreikään vaihteistokotelossa ja työnnä mukana toimitettu kuusioavain kohdistettujen reikien läpi toimimaan vakaimena, kuten edellä kohdissa 2 ja 3 on näytetty.
7. Aseta raivaussahan pää kiinteää pintaa vasten. Tartu toisella kädellä terään ja pidä toisessa kädessä mukana toimitettua monitoimiavainta ja kiristä mutteri vastakkaiseen suuntaan kuin ulkolaippaan merkitty nuoli (kuva J).

Suojuslisäosan käyttäminen

HUOMAA: Suojuslisäosa tulee asentaa suojukseen, jos työkalua käytetään siimaleikkurina, joka on varustettu trimmeripäällä (kuva K).

Kiinnitä suojuslisäosa suojukseen kiristämällä kolme ruuvia mukana tulleella kuusioavaimella. Tämän noudattamatta jättäminen voi aiheuttaa liian pitkää leikkusuiman ja moottorin ylikuormittumisen.

RAIVAUSSAHALISÄOSAN KIINNITTÄMINEN AKKUPÄÄHÄN

Tämä raivaussahalisisäosa on suunniteltu käytettäväksi EGO-akkupään PH1400E kanssa.

Katso akkupään PH1400E käyttöoppaasta kohta **"LISÄ-OSAN ASENTAMINEN AKKUPÄÄHÄN"**.

KÄYTTÖ

VAROITUS: Älä anna perehtyneisyyden tuotteeseen saada sinua huolimattomaksi. Muista, että sekunnin murto-osa huolimattomuutta riittää aikaansaamaan vakavan henkilövahingon.

VAROITUS: Käytä aina suojalaseja sivusuojilla. Yhdessä kuulosuojaimien kanssa. Muussa tapauksessa silmiin voi lentää roskia ja muita mahdollisia vakavia vahinkoja tapahtua.

KÄYTTÄMINEN

Voit käyttää laitetta alla lueteltuihin tarkoituksiin:

- heinien, rikkaruohojen, villiintyneen kasvuston ja nuoren metsikön, enintään 2 cm varsi, harventamiseen

HUOMAA: Laitetta tulee käyttää vain sille tarkoitettuun tarkoitukseen. Kaikki muu käyttö katsotaan väärinkäytöksi.

RAIVAUSSAHAN KÄYTTÄMINEN AKKUPÄÄN KANSSA

VAROITUS: Pukeudu asianmukaisesti, niin vähennät loukkaantumisvaaraa tätä laitetta käyttäessäsi. Älä käytä väliä vaatteita tai koruja. Käytä suojalaseja ja kuulosuojaimia. Käytä paksuja, pitkälahkeisia housuja, kunnollisia jalkineita ja suojakäsineitä. Älä käytä lyhytlahkeisia housuja, sandaaleita tai ole paljain jaloin.

Käytön turvallisuuden ja sujuvuuden takia laita olkahihna olan yli. Säädä olkahihnaa, kunnes käyttöasento on mukava. Pidä raivaussahasta kiinni aina niin, että toinen kätesi on takakahvalla ja toinen kätesi etuapukahvalla. Pidä kummallakin kädellä kunnon ote käytön aikana. Raivaussahaa tulee pitää miellyttävässä asennossa ja takakahva noin lonkan korkeudella. Säilytä ote ja pidä tasapaino molempien jalkojen varassa. Asetu siten, että et menetä tasapainoasi terän takapotkun takia (kuva B).

VAROITUS: Olkahihna on myös nopea vapautusmekanismi vaaratilanteissa. Kun on hätätilanne, ota laite oltaisi välittömästi riippumatta hinnan asennosta.

Kun leikkaat villiintynyttä kasvustoa, laske pyörivät terä kasvun tasolle, jotta saat silppuamistoiminnan. Käytä raivaussahaa kuin viikatetta (heilauta oikealle ja vasemmalle) maan tasolle. Älä koskaan käytä leikkuutyökalua vyötärötasoa korkeammalla.

VAROITUS: Mitä korkeammalla maasta leikkuutyökalu on, sitä suuremman vaaran sinkoutuvat leikkuujätteet aiheuttavat.

VAROITUS: Kun leikkaat nuorta kasvua tai halkaisijaltaan enintään 2 cm puumaisia kasveja, käytä terän vasenta sivua, jotta vältät takapotkut. Älä yritä leikata paksampia puita, koska terä voi jäädä kiinni ja iskeä raivaussahaa eteenpäin. Tämä saattaa vaurioittaa terää tai raivaussahaa tai voit menettää raivaussahan hallinnan. Tämä voi johtaa henkilövahinkoon.

VAROITUS: Raivaussahan virheellinen käyttö voi aiheuttaa terän murtumisen, säröilyn tai rikkoutumisen.

Sinkoutuvat osat voivat aiheuttaa vakavan henkilövahingon käyttäjälle tai sivullisille. Henkilövahinkojen välttämiseksi toimi seuraavalla tavalla:

- Vältä kosketusta koviin tai kiinteisiin kohteisiin, kuten kiviin tai metallipaloihin.
- Älä leikkaa yli 2 cm läpimittaisia puumaisia kasveja tai pensaita.
- Tarkasta terä säännöllisin väliajoin vaurioiden varalta. Älä jatka työskentelyä vaurioituneella terällä.

- Teroita terä säännöllisesti (kun se on selvästi tylsä) ja anna se tasapainotettavaksi tarvittaessa (ammattitaitoiselle asentajalle).

TAKAPOTKU

Ole erityisen varovainen, kun käytät laitteen terää. Takapotku saattaa tapahtua, kun pyörivä terä osuu kohteeseen, jota se ei saa katkaistua. Tämä saattaa aiheuttaa terän pysähtymisen hetkeksi ja nopean "ponnahduksen" pois kohteesta, johon se osui. Tämä reaktio voi olla niin voimakas, että käyttäjä menettää laitteen hallinnan. Terän takapotku tapahtuu ilman varoitusta, jos terä jää kiinni ja pysähtyy. Takapotku tapahtuu usein alueilla, joissa sahattavaa materiaalia on vaikea nähdä. Työskentely on helpompaa ja turvallisempaa, jos lähestyt leikattavia kohteita raivaussahalla oikealta vasemmalle. Jos työkalu osuu odottamattomaan kohteeseen tai kantoon, tämä käytäntö minimoi terän takapotkun vaikutuksen.

Tarkasta ennen jokaista käyttöä vaurioituneiden/kuluneiden osien varalta.

Tarkasta terä, suojus ja etuapukahva. Vaihda murtuneet, väänntyneet, taipuneet tai muulla tavoin vaurioituneet osat.

Terän reuna voi tulla ajan myötä tylsäksi. Suosittelemme kääntämään terän käyttöäin pidentämiseksi ja teroitamaan terän silloin tällöin (ammattitaitoisen asentajan tekemänä) tai vaihtamaan uuden terän tarvittaessa.

Puhdista raivaussaha jokaisen käyttökerran jälkeen

Katso puhdistusohjeet kohdasta **KUNNOSSAPITO**.

VAROITUS: Varmista, että terä on täysin pysähtynyt ennen kuin puhdistat tai huollat raivaussahaa. Tämän noudattamatta jättäminen saattaa aiheuttaa vakavan henkilövahingon.

TYÖKALUN KÄYNNISTÄMINEN/SAMMUTTAMINEN

Katso akkupään PH1400E käyttöoppaasta kohta "**AKKUPÄÄN KÄYNNISTÄMINEN/SAMMUTTAMINEN**".

HUOLTO

VAROITUS: Pysäytä moottori, odota kaikkien liikkuvien osien pysähtymistä ja poista akku ennen laitteen tarkastamista, puhdistamista tai huoltamista. Näiden ohjeiden noudattamatta jättäminen saattaa johtaa vakavaan henkilövahinkoon tai omaisuusvahinkoon.

VAROITUS: Käytä huollon yhteydessä vain identtisiä varaosia. Muiden osien käyttö saattaa aiheuttaa vaaran tai tuotteen vaurioitumisen. Anna asiantuntevan huoltoteknikon tehdä kaikki korjaukset, jotta laite on varmasti turvallinen ja luotettava.

VAROITUS: Käytä aina paksuja käsineitä, kun asennat tai poistat terän tai teet muita toimenpiteitä terälle. Varo terää, suojaa kätesi terän aiheuttamilta vammoilta.

YLEINEN KUNNOSSAPITO

Vältä liuotinaineiden käyttöä, kun puhdistat muoviosia. Useimmat muovit ovat herkkiä vaurioitumaan erilaisista kaupallisista liuottimista. Poista lika, pöly, öljy, rasva jne. puhtaalla liinalla.

LAITTEEN PUHDISTUS

- Poista akku
- Puhdista lika, tukokset ja ruoho terästä ja suojuksesta pehmeällä harjalla joka käyttökerran jälkeen.
- Pyyhi työkalun pinta puhtaalla mietoon saippualluokseen kostutetulla liinalla.
- Puhdista takakotelon tuuletusaukot pienellä harjalla tai pölynimurilla.
- Pidä tuuletusaukot esteettöminä

Kun terän molemmat reunat ovat tylsiä, vie se ammattitaitoiselle asentajalle teroitettavaksi tai vaihda terä tarvittaessa uuteen.

TERÄN VAIHTAMINEN

VAROITUS: Kulunut, murtunut tai vaurioitunut terä voi rikkoutua ja vaurioituneen terän palat voivat sinkoutua vaarallisesti. Sinkoutuneet kohteet saattavat aiheuttaa vakavan henkilövamman. Tarkasta terä säännöllisesti, äläkä käytä raivaussaha, jos sen terä on kulunut tai vaurioitunut.

VAROITUS: Käytä kunnollisia suojalaseja, kun poistat terän, teroitat tai asennat sen takaisin.

Terän poistaminen

1. Poista akku.
2. Käännä ulkolaippaa ja kohdista sisälaipan kolo varren lukitusreikään vaihteistokotelossa ja työnnä mukana toimitettu kuusiokoloavain kohdistettujen reikien läpi toimimaan vakaimena, kuten edellä kohdissa 2 ja 3 kappaleessa "TERÄN ASENTAMINEN" on näytetty.
3. Aseta raivaussahan pää kiinteää pintaa vasten. Tartu toisella kädellä terään ja pidä toisessa kädessä mukana toimitettua monitoimiavainta ja kierrä ulkolaipan mutteri irti nuolella merkittyyn suuntaan. Poista mutteri, ulkolaippa ja kulunut terä (kuva L).

4. Tarkasta sisälaippa ja laipan suojuus ja vaihda ne tarvittaessa, jos ne ovat kuluneet (kuva M).

Kuvien M osien kuvaus alla:

M-1	Moottorin kara	M-5	Ulkolaippa
M-2	Sisälaippa	M-6	Mutteri
M-3	Laipan suojuus	M-7	Laipan kolo
M-4	Terä		

5. Asenna terä moottorin karaan järjestyksessä, joka näytetään kuvassa M. Noudata vaiheiden 5, 6 ja 7 ohjeita kappaleessa "TERÄN ASENTAMINEN".

VAIHDEPYÖRÄN VOITELU

Vaihdekotelossa oleva vaihdepyörä tulee voidella säännöllisesti vaihderasvalla. Tarkasta vaihdekotelon rasvan taso noin 50 käyttötunnin välein poistamalla kotelon sivussa oleva tiivistysruuvi.

Jos vaihteen sivuilla ei näy rasvaa, lisää vaihderasvaa enintään 3/4 kapasiteetista seuraavien ohjeiden mukaisesti. Älä täytä vaihdepyörää kokonaan rasvalla.

1. Aseta raivaussaha pystyyn siten, että tiivistysruuvi on ylöspäin (kuva N).
2. Löysää tiivistysruuvia mukana toimitetulla monitoimiavaimella ja poista ruuvi.
3. Käytä rasvaruiskua (ei mukana) ja ruiskuta jonkin verran rasvaa ruuvien reikään.
4. Kiristä tiivistysruuvi ruiskutuksen jälkeen.

LAITTEEN VARASTOINTI

- Irrota akku työkalusta.
- Käytä paksuja käsineitä puhdistaussasi työkalua.
- Asenna teränsuojus terään turvallisuuden takia (kuva O).
- Irrota raivaussahalaisäosa akkupäästä ja kiinnitä päätytulppa lisäosan varteeseen tarvittaessa.
- Säilytä laite kuivassa, hyvin ilmastoidussa, lukitussa paikassa tai korkealla, poissa lasten ulottuvilta Älä säilytä laitetta lannoitteiden, bensiinin tai muiden kemikaalien päällä tai vieressä.

Ympäristönsuojelu



Älä hävitä sähkölaitteita, akun latauslaitteita ja akkuja/ladattavia akkuja kotitalousjätteen mukana!

Euroopan parlamentin ja neuvoston direktiivin 2012/19/EU mukaan sähkö- ja elektroniikkalaitteet, jotka eivät ole enää käyttökelpoisia, ja Euroopan parlamentin ja neuvoston direktiivin 2006/66/EY mukaan vialliset tai käytetyt akkuyksiköt/akut täytyy kerätä erikseen.

Jos sähkölaitteet hävitetään viemällä kaatopaikoille tai roskaläjiin, vaarallisia aineita voi vuotaa pohjaveteen ja päästä ravintoketjuun ja vahingoittaa täten ihmisten terveyttä ja hyvinvointia.

FI

EY-VAATIMUSTENMUKAISUUS- VAKUUTUS



Me, EGO EUROPE GMBH

Wahlwiesenstrasse 1, D-71711 Steinheim an der Murr
Deutschland

Vakuutamme, että tuote **56 V litiumioniakulla toimiva raivaussahasosa BCA1200**, joka on varustettu akkupäällä PH1400E

täyttää olennaiset terveys- ja turvallisuusvaatimukset seuraavien direktiivien mukaisesti:

2006/42/EY, 2014/30/EU, 2011/65/EU, 2000/14/EY

Standardit ja tekniset erittelyt, joihin viitataan:

EN ISO 11806-1, EN 60745-1, EN 55014-1, EN 55014-2

Mitattu äänen tehotaso: 96,5 dB(A),

Taattu äänen tehotaso: 98 dB(A)

Peter Melrose
Toimitusjohtaja, EGO Europe GmbH

Dong Jianxun
Chevronin laatumanageri

* (Auktorisoitu CHEVRONin edustaja ja vastuussa teknisistä asiakirjoista)

01/12/2016

VIANETSINTÄ

ONGELMA	SYY	RATKAISU
Raivaussaha ei käynnisty.	<ul style="list-style-type: none"> ■ Akkua ei ole liitetty akkupäähän. ■ Akkupään ja akun välillä ei ole sähköliitäntää. ■ Akkuyksikkö on tyhjä ■ Lukitusvipua ja liipaisinta ei paineta samanaikaisesti. 	<ul style="list-style-type: none"> ■ Kiinnitä akku akkupäähän. ■ Poista akku, tarkasta liitäntäkohdat ja asenna akku takaisin, kunnes se naksahtaa paikalleen. ■ Lataa akku käyttöoppaan luettelossa olevalla EGO-laturilla. ■ Paina lukituksenpoistokytkin alas ja pidä sitä painettuna, käynnistä raivaussaha sen jälkeen painamalla liipaisinta.
Raivaussaha pysähtyy kesken leikkaamisen.	<ul style="list-style-type: none"> ■ Moottori on ylikuormittunut. ■ Akku tai akkupää on ylikuumentunut. ■ Akku on irronnut työkalusta. ■ Akku on tyhjä. 	<ul style="list-style-type: none"> ■ Moottori tunnistaa, kun kuorma poistetaan. Vähennä akkupään kuormitusta jatkuvassa käytössä. ■ Anna akun tai akkupään jäähtyä, kunnes lämpötila laskee alle 67 °C. ■ Aseta akku uudelleen paikalleen. ■ Lataa akku käyttöoppaan luettelossa olevalla EGO-laturilla.

FI

TAKUU

EGO-TAKUUKÄYTÄNTÖ

Katso verkkosivuilta osoitteesta egopowerplus.com EGO-takuukäytännön ehdot ja edellytykset kokonaisuudessaan.

LES ALLE INSTRUKSJONER!



LES BRUKERMANUALEN

⚠ Restrisikol Personer med elektroniske enheter, for eksempel pacemakere, må rådføre seg med lege før de bruker dette produktet. Drift av elektrisk utstyr i umiddelbar nærhet av en pacemaker kan føre til at pacemakeren forstyrres eller svikter.

⚠ ADVARSEL: For sikre både sikkerheten og påliteligheten, skal alle reparasjoner utføres av en kvalifisert servicetekniker.

SIKKERHETSSYMBOLER

Formålet med sikkerhetssymbolene er å trekke oppmerksomheten din mot mulige faresituasjoner. Sikkerhetssymbolene og forklaringene krever din fulle oppmerksomhet og forståelse. Symbolvarslene eliminerer ikke farer på egen hånd. Instruksjonene og advarslene som finnes i dem er ikke erstatninger for passende ulykkesforebyggende tiltak.

⚠ ADVARSEL: Sørg for å lese og forstå alle sikkerhetsanvisningene i denne bruksanvisningen, inkludert alle sikkerhetsvarselssymboler så som «FARE», «ADVARSEL» og «FORSIKTIG» før du bruker dette verktøyet. Hvis du ikke følger alle instruksjonene nedenfor, kan det føre til elektriske støt, brann og/eller alvorlig personskade.

SYMBOLFORKLARINGER

⚠ SIKKERHETSSYMBOL: Indikerer **FARE**, **ADVARSEL** eller **FORSIKTIG**. Kan brukes sammen med andre symboler eller piktogrammer.



⚠ ADVARSEL: Bruk av hvilke som helst elektroverktøy kan føre til at fremmedlegemer blir kastet mot øynene, og dette kan føre til alvorlig øyeskader. Før du begynner å bruke elektroverktøyet, skal du alltid bruke vernebriller eller vernebriller med sidebeskyttelse, og en full ansiktsskjerm der det trengs. Vi anbefaler en Wide Vision Safety Mask til bruk over briller, eller standard vernebriller med sidebeskyttelse.

SIKKERHETSINSTRUKSJONER

Denne siden viser og beskriver sikkerhetssymboler som finnes på produktet. Les, forstå og følg alle instruksjoner på maskinen før begynner montering og bruk.

	Sikkerhetsvarsel	Indikerer fare for mulig personskade.
	Les brukermanualen.	For å redusere risikoen for skader, må brukeren lese og forstå bruksanvisningen før produktet brukes.
	Bruk vernebriller	Bruk alltid vernebriller eller vernebriller med sidebeskyttelse, og full ansiktsskjerm når du bruker dette produktet.
	Bruk hørselvern	Støy fra klipperen kan skade hørselen. Bruk alltid hørselsvern (øreplugger/øreklodder) for å beskytte hørselen.
	Bruk hodevern	Bruk en godkjent, sterk vernehjelm på hodet.
	Bruk vernehansker	Beskytt hendene med hansker når du håndterer klipperen. Kraftige sklisikre hansker gir bedre grep og beskytter hendene.
	Bruk verne-skotøy	Bruk sklisikre vernesko når du benytter utstyret.
	Klippebredde	Maks. skjærebredde for vegetasjonsklipper
	Vær på vakt mot forskyvning av skjæreblass	Varsle operatøren om faren for forskyvning av skjæreblass.

	Rikosjett	Objekter kan rikosjettene og forårsake skader på person eller eiendom.
	Hold tilskuere borte.	Sørg for at andre mennesker og kjæledyr er minst 15 m unna vegetasjonsklipperen når den er i bruk.
	Rundt skjæreblad ikke tillatt	Ikke installer runde skjæreblad.
	Må ikke utsettes for regn	Må ikke brukes i regn eller etterlates ute når det regner.
	CE	Dette produktet er utformet i tråd med gjeldende EC-direktiver.
	WEEE	Elektrisk avfall må ikke kastes sammen med vanlig husholdningsavfall. Må avleveres på en godkjent gjenvinningsstasjon.
	Støy	Garantert lydeffektnivå. Støy i omgivelsene er i henhold til EUs direktiv.
V	Volt	Spenning
mm	Millimeter	Lengde eller størrelse
cm	Centimeter	Lengde eller størrelse
in.	Inch	Lengde eller størrelse
kg	Kilogram	Vekt

VIKTIGE SIKKERHETSINSTRUKSJONER

⚠ ADVARSEL: Når du bruker trimmere, må du alltid følge grunnleggende sikkerhetsregler for å redusere risikoen for brann, elektrisk støt og personskade, inkludert følgende:

LES NØYE FØR BRUK

BEHOLD FOR SENERE BRUK

⚠ FARE: Ikke stol på verktøyets isolasjon mot elektrisk sjokk. For å redusere risikoen for elektriske støt, skal maskinen aldri brukes i nærheten av ledninger eller kabler (strøm, osv.) som kan være strømsatte.

⚠ FORSIKTIG: Bruk egnet personlig hørselsvern under bruk. Under visse forhold til og brukslengder, kan støy fra dette produktet bidra til hørselstap.

Trening

- Les instruksene nøye. Vær fortrolig med betjeningsinstrumentene og riktig bruk av maskinen.
- La aldri folk som ikke er kjent med disse instruksjonene, eller barn, bruke maskinen. Lokale regelverk kan ha krav til aldersgrense for operatøren.
- Husk at operatøren er ansvarlig for skade som skjer andre folk eller gjenstander.

Forberedelse

- Bruk aldri maskinen mens folk, og spesielt barn eller kjæledyr, er i nærheten.
- Bruk vernebriller og solide sko hele tiden mens du bruker maskinen.
- Avstanden mellom maskinen og tilskuere skal være minst 15 meter.

Drift

- Maskinen skal bare brukes i dagslys eller med god kunstig belysning.
- Bruk aldri maskinen med skadede skjermer eller skjold, eller uten skjermer eller skjold på plass.
- Motoren skal bare slås på når hender og føtter er borte fra kuttedelene.
- Koble alltid maskinen fra strømforsyningen (dvs. ta ut støpselet fra stikkkontakten eller fjern deaktiveringsheten).
 - når maskinen forlates uten tilsyn;
 - før fjerning av en blokkering;
 - før du sjekker, rengjør eller arbeider på maskinen.
 - etter å ha støtt på et fremmedlegeme.
 - når maskinen begynner å vibrere unormalt.
- Pass på at hender og føtter ikke skades av kuttedelene.
- Pass alltid på at ventilasjonsåpningene holdes frie for rusk.

Vedlikehold Og Lagring

- Koble alltid maskinen fra strømforsyningen (dvs. ta ut støpselet fra stikkkontakten eller fjern deaktiveringsheten) før det utføres vedlikehold eller rengjøring.

NO

- Bruk bare produsentens anbefalte reservedeler og tilbehør.
- Inspiser og vedlikehold maskinen regelmessig. Maskinen skal repareres av et autorisert verksted.
- Når den ikke er i bruk, skal maskinen oppbevares utilgjengelig for barn.

Andre Sikkerhetsadvarsler

- **Hold barn unna** – alle tilskuere bør holdes på minst 15 meters avstand fra arbeidsområdet.
- **Unngå farlige omgivelser** – Ikke Bruk Trimmere På Fuktige Eller Våte Steder.
- **Slå alltid vegetasjonsklipperen av eller ta ut batteripakken når verktøyet etterlates uten tilsyn.**
- **Må ikke brukes i regn.**
- **Kle deg riktig** – Ikke bruk løstsittende klær eller smykker. Disse kan sette seg fast i bevegelige deler. Bruk av gummihansker og solid fottøy anbefales når du arbeider utendørs. Bruk hårnnett hvis du har langt hår.
- **Bruk vernebriller** – bruk alltid ansikts- eller støvmaske hvis arbeidet er støvete.
- **Bruk riktig verktøy** – Ikke bruk verktøyet til noen jobb det ikke er laget for.
- **Ikke belast vegetasjonsklipperen unødig** – Jobben blir gjort bedre og sikrere hvis du holder deg til korrekt hastighet for verktøyet.
- **Vær på vakt** – Følg med på det du gjør. Bruk sunn fornuft. Ikke bruk trimmeren når du er trøtt.
- **Vegetasjonsklipperen må ikke betjenes hvis du er påvirket av alkohol eller narkotika.**
- **Hold skjermene på plass, og i orden.**
- **Hold hender og føtter unna klippeområdet.**
- **Oppbevar vegetasjonsklipperen innendørs** – Når verktøyet ikke er i bruk, skal det oppbevares innendørs på et tørt, høyt og avlåst sted med batteripakken fjernet, utilgjengelig for barn.
- **Vær nøye med vedlikehold av vegetasjonsklipperen** – Hold klipperen ren for at den skal fungere best mulig, og for å redusere skaderisikoen. Følg instruksjonene nedenfor når du skal bytte tilbehør. Hold håndtakene tørre, rene og fri for olje og fett.
- **Sjekk om det finnes ødelagte deler** – Før bruk bør du sjekke om bladvern eller andre deler er ødelagt, og om produktet vil fungere som normalt. Se etter feiljusteringer eller bevegelige deler som har hengt seg opp, brutte deler, feilmontering og eventuelle andre ting som kan påvirke funksjonen til klipperen. Bladvern eller andre deler som er skadet, må repareres ordentlig eller byttes av et autorisert servicesenter med mindre annet er angitt andre steder i denne håndboken.

NO

- **Pass på at alle festeordninger er på plass og godt festet. Vær nøye med at bladvernet er ordentlig festet og i den posisjonen som produsenten anbefaler.**
- **Rydd arbeidsområdet før du bruker verktøyet.** Fjern alle gjenstander som steiner, knust glass, spiker, ståltråd eller hyssing som kan fare gjennom luften eller vikle seg inn i klipperen. Hold barn, tilskuere og kjæledyr unna området. Som et minimum bør alle barn, tilskuere og kjæledyr holde seg utenfor en radius på 15 m; utenfor denne sonen er det likevel en viss risiko for at skader kan oppstå fra flygende gjenstander. Tilskuere bør oppfordres til å bruke øyebeskyttelse.
- **Ha alltid et godt tak i vegetasjonsklipperen med begge hender på håndtakene når verktøyet er i gang. Bøy fingre og tommel rundt håndtakene.**
- **Unngå oppstart ved uhell** – Vegetasjonsklipperen må ikke bæres med fingeren på utløseren.
- **Vegetasjonsklipperen må ikke betjenes i en gassholdig eller eksplosjonsfarlig atmosfære.** Motorer i denne typen verktøy produserer gjerne gnister, og de kan antenne gasser.
- **Skader på vegetasjonsklipperen** – Hvis du slår borti et fremmedelement med vegetasjonsklipperen eller den hekter seg fast, må verktøyet stoppes umiddelbart. Sjekk om det har fått skader og sørg for reparasjon før du bruker verktøyet igjen. Må ikke brukes med brukket bladvern eller skjæreblass.
- **Hvis utstyret begynner å vibrere unormalt mye, må du stoppe motoren og finner årsaken umiddelbart.** Vibrasjoner er gjerne et tegn på at noe er galt. Et løst skjæreblass kan vibrere, få sprekker eller brette eller løsne fra vegetasjonsklipperen, noe som kan resultere i alvorlige skader eller dødsulykke. Pass på at klipperen er installert ordentlig og godt festet. Hvis skjæreblasset løsner etter at du har festet det, må det byttes umiddelbart. Unngå å bruke en vegetasjonsklipper med løst skjæreblass.
- **For å redusere risikoen for skade på grunn av manglende kontroll må du aldri jobbe i en stige eller på et annet ustabil underlag. Skjæreblasset må aldri holdes over midjehøyde.**
- **Stå godt og ha god balanse.** Ikke strekk deg for langt. Hold klipperen under midjehøyde. Hold alle deler av kroppen på avstand fra det roterende skjæreblasset.
- **Bytt et sprukket, skadet eller slitt blad umiddelbart, selv om skaden begrenser seg til overfladiske sprekker.** Slikt tilbehør kan knuses i høy hastighet og medføre alvorlige skader eller dødsulykke.

- Kontroller klipperen ofte og regelmessig under drift eller umiddelbart hvis det er en merkbar endring i klippesfunksjonen.
- Hvis noen nærmer seg deg, så stopp motoren og klipperen umiddelbart. Verktøy med skjæreblad kan også innebære en risiko for skader på tilskuere som kan bli truffet av skjærebladet hvis det skyves ut eller annet uventet skjer med bladet.
- Varsle operatøren om faren for forskyvning av skjæreblad.
 - Skjærebladet kan skyves ut når det roterende bladet kommer i kontakt med en gjenstand som ikke umiddelbart lar seg klippe.
 - Utskyving av bladet kan være såpass voldsom at verktøyet og/eller operatøren kan bli dyttet forover i en eller annen retning og kanskje miste kontrollen over verktøyet.
 - Utskyving av blad kan forekomme uten forvarsel dersom bladet plutselig brekker, stanses eller henger seg opp.
 - Mest sannsynlig skjer dette på områder der det er vanskelig å se materialet som blir kuttet.
- Skjæreblad må ikke festes på en motorenhet uten at det installeres ordentlig med alle deler som inngår. Hvis riktige deler ikke brukes, kan skjærebladet kastes av og skade operatør og/eller tilskuere alvorlig. Kassér skjæreblad som er bøyd, skjevt, sprukket, brukket eller ødelagt på annen måte. Bruk et skarpt skjæreblad. Et sløvt blad rives lettere opp og kan bli skjøvet ut.
- Et skjæreblad som går på tomgang, kan forårsake skade når det fortsetter å snurre rundt etter at motoren er stoppet eller du har sluppet utløseren. Fortsett å ha kontroll til skjærebladet har stoppet helt opp.
- Ikke lad batteripakken i regn eller på våte steder.
- Skal bare brukes med batteripakkene og laderne som er oppført nedenfor:

BATTERI	LADER
BA1120E, BA2240E, BA2800	CH2100E CH5500E

- Batteripakken må fjernes fra apparatet før det kasseres.
- Ikke kast batteriet i ild. Cellene kan eksplodere. Sjekk de lokale forskriftene for avhending av batterier.
- Ikke åpne eller skad batteriet. Elektrolytter som avgis er etsende, og kan forårsake skade på øyne og hud. Kan være giftig ved svelging.

- Vær forsiktig når du håndterer batterier, slik at du ikke kortsletter batteriet med ledende materialer så som ringer, armbånd og nøkler. Batteriet eller lederen kan bli overopphetet og forårsake brannskader.
- Reservedeler - Når verktøyet trenger service, må bare identiske reservedeler benyttes. Bruk av andre typer tilbehør kan øke risikoen for skade.
- Batteriverktøy trenger ikke å være koblet til et strømnett; derfor er de alltid klare til bruk. Vær oppmerksom på mulige farer, selv når verktøyet ikke er i drift. Vær forsiktig når du utfører vedlikehold eller service.
- Ikke åpne eller skad batteriet. Elektrolytter som avgis er etsende, og kan forårsake skade på øyne og hud. Kan være giftig ved svelging.
- Vær forsiktig når du håndterer batterier, slik at du ikke kortsletter batteriet med ledende materialer så som ringer, armbånd og nøkler. Batteriet eller lederen kan bli overopphetet og forårsake brannskader.
- Hvis situasjoner oppstår som ikke er dekket i denne håndboken, må du utvise forsiktighet og god dømmekraft. Kontakt EGOs servicesenter for hjelp.
- Ta vare på disse instruksjonene. Referer til dem ofte, og bruk dem til å instruere andre som kan komme til å bruke verktøyet. Hvis du låner ut verktøyet til noen andre, må de også få låne disse instruksjonene, for å hindre feilbruk av produktet og mulige skader.

NO

MERK: SE HÅNDBOKEN TIL MOTORENHETEN FOR ANDRE OG MER SPESIFIKKE REGLER OM SIKKERHET.

SPESIFIKASJONER

Klipp bredde	30 cm
Hastighet uten last	5000/6000 min ⁻¹
Vekt	1,82 kg
Målt lydeffektnivå L _{WA}	96,5 dB(A) K= 1,88 dB(A)
Lydtrykknivå ved brukerens øre L _{PA}	84,5 dB(A) K= 3 dB(A)
Garantert lydeffektnivå L _{WA} (målt i henhold til 2000/14/EC)	98 dB(A)
Vibrasjon a _h	Fremre hjelpehåndtak k=1,6 m/s ²
	Bakre håndtak k=1,6 m/s ²

- Parametrene over er testet og målt sammen med motorenheten PH1400E.
- Den deklarererte totale vibrasjonsverdien er målt i overensstemmelse med en standard testmetode, og kan brukes til å sammenligne ett verktøy med et annet;
- Den deklarererte totale vibrasjonsverdien kan også brukes i en foreløpig vurdering av eksponering.

MERK: Vibrasjoner under faktisk bruk av elektroverktøyet kan variere fra den opplyste verdien der verktøyet brukes; For å beskytte brukeren, skal det brukes hansker og hørselsvern under de faktiske bruksforholdene.

Anbefalt skjæreblad

NAVN PÅ DEL	MODELLNUMMER
Skjæreblad Til Vegetasjonsklipper	ABB1203

PAKKELISTE

NAVN PÅ DEL	MENGDE
Vegetasjonsklipper	1
Skjæreblad og sliresett	1
Skjerming	1
Bladvern (skal KUN brukes med trimmerhode)	1
Sekskantnøkkel	1
Flerbruksnøkkel	1
Bruksanvisning	1

NO

BESKRIVELSE

BLI KJENT MED VEGETASJONSKLIPPEREN (Fig. A)

1. Endekapsel
2. Stang til vegetasjonsklipper
3. Skjerming
4. Skjæreblad
5. Bladslire
6. Kabelklemme
7. Forseglingsskrue
8. Girkasse
9. Låsehull til stang
10. Ytre fiens
11. Flerbruksnøkkel
12. Unbraconøkkel
13. Bladvern (skal KUN brukes med trimmerhode)

⚠ ADVARSEL: Bruk aldri verktøyet uten at bladvernet er på plass. Bladvernet må alltid være påmontert verktøyet for å beskytte brukeren.

⚠ ADVARSEL: Når verktøyet brukes som kantklipper, utstyrt med et trimmerhode, skal bladvern monteres. Hvis dette ikke gjøres, kan det føre til altfor lang skjæretråd og overbelastning av motoren.

-ENHET

⚠ ADVARSEL: Hvis noen av delene er skadet eller mangler, må du ikke bruke dette produktet før delene er skiftet ut. Bruk av dette produktet med skadede eller mangler deler kan føre til alvorlig personskade.

⚠ ADVARSEL: Ikke forsøk å modifisere dette produktet eller lage tilbehør som ikke er anbefalt for bruk med denne gresstrimmeren. Enhver slik endring eller modifisering er misbruk, og kan føre til farlige situasjoner og mulige alvorlige personskader

⚠ ADVARSEL: Bruk alltid kraftige hansker når du installerer eller fjerner skjæreblad eller bladvern, eller utfører vedlikehold på bladet. Vær forsiktig med skjærebladet, og beskytt hendene dine så de ikke blir skadet.

⚠ ADVARSEL: Ikke koble til motorenheten før monteringen er fullført. Hvis du gjør det, kan det resultere i oppstart ved et uhell og mulig personskade.

MERK: Riktig monteringsrekkefølge for vegetasjonsklipperen er å installere bladvernet først, deretter bladet og til slutt sette på motorenheten.

⚠ ADVARSEL: Bruk aldri verktøyet uten at bladvern og fremre hjelhåndtak med sperre er ordentlig montert. Hvis du ikke gjør det, kan det resultere i alvorlig personskade.

MONTERING AV SKJERMEN

1. Løft hodet på vegetasjonsklipperen og la det vende nedover. Juster de to monteringshullene i bladvernet ut fra de to skruene som sitter i festebrettet. Pass på at innersiden av bladvernet vender mot hodet på vegetasjonsklipperen (Fig. C).
2. Lås bladvernet på plass med skruene og den medfølgende unbraconøkkel (Fig. D).

PÅSETTING AV SKJÆREBLAD

1. Skjærebladet leveres med en slire. Før du monterer bladet på vegetasjonsklipperen, skal sliren fjernes ved at du løsner kabelklemmen fra kroken på sliren (Fig. E).

Fig. E delebeskrivelse, se nedenfor:

E-1	Krok
E-2	Kabelklemme

2. Drei på ytre flens så spalten i indre flens er på linje med låsehullet for stangen i girkassen (Fig. F).
3. Sett medfølgende unbraconøkkel inn i tilhørende hull for å fungere som stabilisator (Fig. G).

Se Fig. F og G under for beskrivelse av delene:

F-1	Girkasse	F-3	Ytre flens
F-2	Justerte låsehull for stang	G-1	Stabilisator

4. Len hodet på vegetasjonsklipperen mot et fast underlag for å få støtte. Bruk en hånd til å holde i stangen på vegetasjonsklipperen og den andre til å løsne mutteren med medfølgende multifunksjonsnøkkel i retning av den merkede pilen på ytre flens, og ta av mutteren og ytre flens. Ta vare på dem til senere montering (Fig. H).
5. Sett skjærebladet på motorakselen, og pass på at bladflaten er på linje med utbulingen på indre flens. Fortsett med å sette på den ytre flensen og mutteren (Fig. I). Stram mutteren midlertidig for hånd i retning **MOT KLOKKEN**.

Fig. I delebeskrivelse, se nedenfor:

I-1	Utbuling på indre flens
I-2	Motoraksel
I-3	Mutter
I-4	Ytre flens
I-5	Skjæreblad

6. Drei på ytre flens så spalten i indre flens er på linje med låsehullet til stangen i girkassen, og sett medfølgende unbraconøkkel inn i de justerte hullene som stabilisator slik trinn 2 og 3 over viser.
7. Len hodet på vegetasjonsklipperen mot et fast underlag for å få støtte. Bruk en hånd til å holde i skjærebladet og den andre til å stramme mutteren med den medfølgende multifunksjonsnøkkelen i motsatt retning av den merkede pilen på ytre flens (Fig. J).

Bruk av bladvern

MERK: Når verktøyet brukes som kantklipper med trimmerhode, skal tilbehøret til bladvernet monteres på vernet (Fig. K).

Fest bladverntilbehøret på bladvernet ved å stramme de tre skruene med den medfølgende unbraconøkkelen. Hvis dette ikke gjøres, kan det føre til altfor lang skjæretråd og overbelastning av motoren.

MONTERE VEGETASJONSKLIPPEREN PÅ MOTORENHETEN

Denne vegetasjonsklipperen er beregnet til bruk med motorenheten EGO PH1400E.

Se avsnittet “**MONTERE TILBEHØR PÅ MOTORENHETEN**” i håndboken til motorenheten PH1400E.

DRIFT

⚠ ADVARSEL: Ikke la fortrolighet med dette produktet gjøre deg uforsiktig. Husk at et uforsiktig tiendedel av et sekund er nok til å forårsake alvorlige skader.

⚠ ADVARSEL: Bruk alltid vernebriller med sidebeskyttelse. Sammen med hørselsvern. Unnlattelse av å gjøre dette kan resultere i at gjenstander som blir kastet kommer inn i øynene, og andre mulige og alvorlige skader.

BRUKSOMRÅDER

Du kan bruke dette produktet til nevnte oppgaver:

- Slåing av gress og ugress, kutting av busker, tynning av ungsog med en stamme på maksimum 2 cm.

MERK: Verktøyet skal bare brukes til sitt foreskrevne formål. All annen bruk er feil.

BRUKE VEGETASJONSKLIPPEREN MED MOTORENHETEN

⚠ ADVARSEL: Kle deg riktig for å redusere risikoen for skader når du bruker dette verktøyet. Ikke bruk løstsittende klær eller smykker. Bruk vernebriller og øre-/hørselsvern. Bruk solide og lange bukser, støvler og hansker. Ikke bruk korte bukser eller sandaler, og ikke gå barbert.

NO

For sikker og bedre drift bør remmen legges over skulderen. Juster skulderremmen så du får en behagelig arbeidsstilling. Hold vegetasjonsklipperen med en hånd på det bakre håndtaket og den andre hånden på det fremre hjelpehåndtaket. Ha et fast grep med begge hender når du bruker verktøyet. Vegetasjonsklipperen skal holdes i en behagelig stilling med det bakre håndtaket omtrent i hofte høyde. Hold godt fast i verktøyet og stå med beina støtt på underlaget.

Plasser deg slik at du ikke mister balansen dersom skjærebladet skulle kastes tilbake (Fig. B).

⚠ ADVARSEL: Skulderremmen er også en rask utløsermekanisme i farlige situasjoner. Når en nødssituasjon oppstår, ta apparatet av skulderen umiddelbart, uansett hvordan remmen er satt inn.

Senk det roterende skjærebladet ned i vegetasjon og busker så du oppnår en hakkeeffekt. Bruk vegetasjonsklipperen som en ljà (slå til venstre og høyre side) nede ved bakken. Klipperen må aldri brukes over midjehøyde.

⚠ ADVARSEL: Jo høyere klipperen er over bakken, desto større er risikoen for å bli skadet fra avskjær som kastes sidelengs.

⚠ ADVARSEL: Når du kutter ungsudd eller annet tremateriale opptil 2 cm i diameter, skal du bruke venstre side av skjærebladet for å unngå blodutskyving. Unngå å kutte trær med større diameter da skjærebladet kan sette seg fast eller rykke vegetasjonsklipperen fremover. Dette kan gi skader på skjæreblad eller vegetasjonsklipper eller få deg til å miste kontrollen over verktøyet, og personskade kan oppstå.

⚠ ADVARSEL: Feil bruk av skjærebladet kan medføre at det får sprekker, skaller av eller splintres.

Biter som faller av, kan påføre både operatør og tilskuere alvorlig skade. For å redusere risikoen for personskade er det svært viktig å ta følgende forholdsregler:

- Unngå kontakt med harde eller massive fremmedlegemer som steiner eller metallbiter.
- Kutt aldri ungsudd eller busker som har en diameter på mer enn 2 cm.
- Inspiser skjærebladet hyppig for tegn på skader. Unngå å arbeide med et blad som er skadet.
- Skjærebladet bør skjerpes jevnlig (når det er blitt markert sløvere), og det bør balanseres ved behov (må gjøres av kvalifisert fagperson).

UTSKYVING AV SKJÆREBLAD

Vær ekstremt forsiktig nr du bruker skjærebladet med dette verktøyet. Skjærebladet kan skyves ut når det roterende bladet kommer i kontakt med alt som ikke lar seg kutte. Denne kontakten kan føre til at skjærebladet stanser et øyeblikk og plutselig skyver verktøyet bort fra gjenstanden som ble truffet. Reaksjonen kan være såpass voldsom at operatøren mister kontrollen over verktøyet. Utskyving av blad kan forekomme uten forvarsel dersom bladet plutselig brekker, stanses eller henger seg opp. Mest sannsynlig skjer dette på områder der det er vanskelig å se materialet som blir kuttet. For å gjøre det enkelt og trygt å kutte skal du slå buskas og ugress fra høyre mot venstre. Skulle du støte på en uventet gjenstand eller trestokk, vil denne fremgangsmåten sørge for at utskyvingsreaksjonen blir så liten som mulig.

Kontroller om noen deler er ødelagte eller utslitte før bruk

Sjekk skjæreblad, bladvern og fremre hjelpehåndtak og erstatt det som er sprukket, skjev, bøyd eller ødelagt på annen måte.

Kanten av skjærebladet kan sløves over tid. Det anbefales at du snur bladet for å forlenge levetiden og skjerper det med jevne mellomrom (må gjøres av kvalifisert fagperson) eller bytter det om nødvendig med et nytt blad.

Rengjør vegetasjonsklipperen hver gang den har vært i bruk

Se avsnittet **VEDLIKEHOLD** for rengjøringsinstruksjoner.

⚠ ADVARSEL: Sørg for at skjærebladet har stanset helt opp før du rengjør eller vedlikeholder vegetasjonsklipperen. Hvis du ikke gjør det, kan det resultere i alvorlig personskade.

SLIK STARTER/STOPPER DU VERKTØYET

Se avsnittet **“STARTE/STOPPE MOTORENHETEN”** i håndboken for PH1400E.

NO

VEDLIKEHOLD

⚠ ADVARSEL: Før du etterser, rengjør eller vedlikeholder verktøyet, må du stoppe motoren, vente på at alle deler har stanset, og så ta ut batteripakken. Hvis du ikke retter deg etter disse instruksene, kan det resultere i alvorlig personskade eller skade på eiendeler.

⚠ ADVARSEL: Når verktøyet trenger service, må bare identiske reservedeler benyttes. Bruk av uoriginale deler kan forårsake fare eller skade produktet. For å sikre trygg og pålitelig bruk må alle reparasjoner utføres av en kvalifisert fagperson.

⚠ ADVARSEL: Bruk alltid kraftige hansker når du installerer eller fjerner skjærebladet eller utfører vedlikehold på det. Vær forsiktig med skjærebladet, og beskytt hendene dine så de ikke blir skadet.

GENERELT VEDLIKEHOLD

Unngå bruk av løsemidler når plastdeler skal rengjøres. De fleste plasttyper kan ta skade av ulike typer løsemidler som er i salg, og kan dermed bli ødelagt. Bruk rene kluter for å fjerne skitt, støv, olje, fett, etc.

RENGJØRING AV ENHETEN

- Fjern batteriet
- Etter hver gangs bruk fjerner du rusk og rask, jordklumper eller gress fra skjæreblad og bladvern med en myk børste.
- Tørk av overflaten på verktøyet med en ren klut, fuktet med mildt såpevann.
- Bruk en liten støvsuger til å rengjøre ventilene på bakre deksel.
- Hold alle luftventiler fri for hindringer.

Når skjærebladet blir sløvt, er begge bladeggene sløve. Bladet må skjerpes av en kvalifisert fagperson eller om nødvendig byttes med et nytt blad.

BYTTING AV SKJÆREBLAD

⚠ ADVARSEL: Et slitt, sprukket eller ødelagt skjæreblad kan brette, og deler av det ødelagte bladet kan bli til farlige prosjektiler. Objekter som farer gjennom luften, kan forårsake alvorlige skader. Inspiser bladet regelmessig, og unngå å bruke vegetasjonsklipperen dersom skjærebladet er slitt eller ødelagt.

⚠ ADVARSEL: Bruk ordentlig øyeskyttelse når du fjerner, skjærper eller monterer bladet.

Slik fjerner du skjærebladet

1. Fjern batteriet.
2. Drei på ytre flens så spalten i indre flens er på linje med låsehullet til stangen i girkassen, og sett den medfølgende unbraconøkkelen inn i de justerte hullene som stabilisator slik det vises i trinn 2 og 3 i avsnittet "MONTERING AV SKJÆREBLAD".
3. Len hodet på vegetasjonsklipperen mot et fast underlag for å få støtte. Bruk en hånd til å holde i skjærebladet og den andre til å løsne mutteren med den medfølgende multifunksjonsnøkkelen i retning av pilen merket på ytre flens, og ta av mutteren, ytre flens og det slitte skjærebladet (Fig. L).
4. Etterse og bytt den indre flensen og flensdekslet hvis de er slitte (Fig. M).

Se Fig. M under for beskrivelse av delene:

M-1	Motoraksel	M-5	Ytre flens
M-2	Indre flens	M-6	Mutter
M-3	Flensdeksel	M-7	Spalte i flens
M-4	Skjæreblad		

5. Monter det nye skjærebladet på motorakselen i rekkefølgen som vises i Fig. M. Følg trinn 5, 6 og 7 i detalj i avsnittet "MONTERING AV SKJÆREBLAD".

NO

SMØRING AV GIRDREVET

Girdrevet i girkassen må smøres med jevne mellomrom med girolje. Sjekk nivået på oljen i girkassen ca. hver 50. driftstunde ved å ta av forseglingskruen på siden av kassen.

Hvis du ikke ser noe olje langs sidene av giret, følger du trinnene under for å fylle girolje til 3/4 av kapasiteten.

Girdrevet må ikke fylles helt opp.

1. Plasser vegetasjonsklipperen på siden slik at forseglingskruen vender opp (Fig. N).
2. Bruk den medfølgende flerbruksnøkkelen til å løsne og ta av forseglingskruen.
3. Bruk en oljesprøyte (følger ikke med) til å sprøyte inn olje i skruerhullet.
4. Stram til forseglingskruen når du er ferdig.

LAGRING AV ENHETEN

- Fjern batteripakken fra verktøyet.
- Bruk kraftige hansker og rengjør verktøyet grundig.
- Skyv sliren inn på skjærebladet for sikker oppbevaring (Fig. O).
- Ta vegetasjonsklipperen av motorenheten og sett endekapselen på verktøystangen hvis nødvendig.

- Oppbevar verktøyet på et tørt og godt ventilert sted, innelåst eller høyt plassert, og utilgjengelig for barn. Unngå å oppbevare verktøyet på eller ved siden av gjødningsmidler, bensin eller andre kjemikalier.

Beskytt miljøet



Elektrisk utstyr, batterilader og batterier/opppladbare batterier skal ikke kastes i husholdningsavfall.

Ifølge EU-forskrift 2012/19/EU, skal elektrisk og elektronisk utstyr som ikke lenger er brukbart, og som i henhold til EU-forskrift 2006/66/EC har defekte eller brukte batteripakker/batterier, samles inn separat.

Hvis elektrisk apparater kastes på søppefyllinger, kan farlige stoffer lekke ut i grunnvannet og komme inn i næringskjeden, og forårsake skader på helse og velvære.

NO

EU-SAMSVARERKLÆRING



Vi, EGO EUROPE GMBH

Wahlwiesenstrasse 1, D-71711 Steinheim an der Murr
Deutschland

Herved erklæres at produktet **BCA1200, trådløs vegetasjonsklipper med 56 V litium-ionbatteri** og utstyrt med motorenheten PH1400E

Er i samsvar med de grunnleggende helse- og sikkerhetskravene i følgende direktiver:

2006/42/EC, 2014/30/EU, 2011/65/EU, 2000/14/EC

Standarder og tekniske spesifikasjoner som det henvises til:

EN ISO 11806-1, EN 60745-1, EN 55014-1, EN 55014-2

Målt lydeffektnivå: 96,5 dB(A).

Garantert lydeffektnivå: 98 dB(A).

Peter Melrose
Administrerende direktør for
EGO Europe GmbH

Dong Jianxun
Kvalitetsdirektør hos
Chevron

* (Autorisert representant for CHERVON og ansvarlig for teknisk dokumentasjon)

01/12/2016

FEILSØKING

PROBLEM	ÅRSAK	LØSNING
Vegetasjonsklipperen starter ikke.	<ul style="list-style-type: none"> ■ Batteripakken er ikke satt inn i motorenheten. ■ Ingen elektrisk kontakt mellom motorenheten og batteripakken. ■ Batteripakken er tom. ■ Låsespaken og utløseren ble ikke trykket inn samtidig. 	<ul style="list-style-type: none"> ■ Fest batteripakken til motorenheten. ■ Fjern batteriet, sjekk kontakter og installer batteripakken igjen. Forsikre deg om at den knepper på plass. ■ Lad batteripakken med EGO-ladere som står oppført i denne håndboken. ■ Trykk ned låsespaken og hold den inne, og trykk deretter på utløseren for å slå på vegetasjonsklipperen.
Vegetasjonsklipperen stopper under kutting.	<ul style="list-style-type: none"> ■ Motoren er overbelastet. ■ Batteripakken eller motorenheten er for varm. ■ Batteripakken er koblet fra verktøyet. ■ Batteripakken er tom. 	<ul style="list-style-type: none"> ■ Motoren vil fungere igjen når lasten er fjernet. For kontinuerlig drift bør du minske belastningen på motorenheten. ■ La batteripakken eller motorenheten kjøle seg ned til temperaturen kommer under 67 °C (152 °F). ■ Installer batteripakken på nytt. ■ Lad batteripakken med EGO-ladere som står oppført i denne håndboken.

NO

GARANTI

EGOs GARANTIREGLER

Besøk nettsiden egopowerplus.com for å se fullstendige vilkår og betingelser for EGO-garantireglene.

ПРОЧИТАЙТЕ ВСЕ ИНСТРУКЦИИ!



ВНИМАТЕЛЬНО ПРОЧИТАЙТЕ РУКОВОДСТВО ПОЛЬЗОВАТЕЛЯ.

⚠️ Остаточные риски! Если вы используете электронные устройства, такие как кардиостимулятор, перед эксплуатацией данного устройства проконсультируйтесь с врачом. Использование электрооборудования в непосредственной близости от кардиостимулятора может привести к образованию помех и повреждению кардиостимулятора.

⚠️ ПРЕДУПРЕЖДЕНИЕ. Чтобы обеспечить безопасность и надежность устройства, его ремонт и замену частей должен выполнять квалифицированный специалист.

СИМВОЛЫ БЕЗОПАСНОСТИ

Символы безопасности предназначены для привлечения внимания к возможным рискам. Символы безопасности, а также объяснения к ним, требуют особого внимания и понимания. Предупреждения по технике безопасности сами по себе не устраняют опасность. Инструкции и предупреждения не заменяют соответствующие меры по предотвращению несчастных случаев.

⚠️ ПРЕДУПРЕЖДЕНИЕ. Перед использованием устройства внимательно прочитайте все инструкции в данном руководстве пользователя и ознакомьтесь с предупреждающими символами безопасности, такими как «ОПАСНОСТЬ», «ПРЕДУПРЕЖДЕНИЕ» и «ВНИМАНИЕ». Несоблюдение всех приведенных ниже инструкций может привести к поражению электрическим током, возникновению пожара и/или получению серьезных травм.

ЗНАЧЕНИЕ СИМВОЛОВ

⚠️ ПРЕДУПРЕЖДАЮЩИЙ СИМВОЛ Означает **УВЕДОМЛЕНИЯ, ПРЕДУПРЕЖДЕНИЯ и ПРЕДОСТЕРЕЖЕНИЯ.** Может использоваться с другими символами или изображениями.



⚠️ ПРЕДУПРЕЖДЕНИЕ. В результате работы электроинструмента в глаза могут попасть посторонние предметы, что приведет к серьезному повреждению глаз. Перед началом использования электроинструмента всегда надевайте защитную маску или защитные очки с боковыми щитками и полнопрофильную защитную маску (при необходимости). Поверх очков или стандартных защитных очков рекомендуется надевать маску Wide Vision Safety.

ИНСТРУКЦИИ ПО ТЕХНИКЕ БЕЗОПАСНОСТИ

Далее приведено изображение и описание символов безопасности, которые могут присутствовать на данном устройстве. Перед сборкой или использованием внимательно прочитайте все инструкции, приведенные на устройстве, и соблюдайте их.

	Предупреждение об опасности	Указывает на потенциальную опасность получения травмы.
	Внимательно прочитайте руководство пользователя.	Чтобы уменьшить риск получения травм, перед использованием устройства необходимо прочитать и понять руководство по эксплуатации.
	Надевайте защитные очки.	При работе с данным устройством всегда используйте защиту для глаз или защитные очки с боковыми щитками и полнопрофильную защитную маску.
	Используйте средства защиты органов слуха.	Воздействие шума от высотореза может привести к повреждению слуха. Всегда используйте средства защиты органов слуха (наушники или беруши).

	Используйте защитный головной убор.	Используйте надежную каску для защиты головы.
	Используйте защитные перчатки.	При работе с пилой и пильной цепью надевайте защитные перчатки. Прочные перчатки из нескользящих материалов улучшат захват инструмента и защитят руки.
	Используйте надежную обувь.	При использовании устройства надевайте надежную нескользящую обувь.
	Ширина резания	Макс. ширина резания кустореза
	Остерегайтесь отдачи режущего элемента.	Предупредите оператора об опасности отдачи режущего элемента.
 	Рикошет	Отброшенные предметы могут отскочить и привести к травмам или повреждению имущества.
	Не позволяйте посторонним людям находиться поблизости.	Убедитесь, что другие люди и животные находятся на расстоянии не менее 15 м от работающего устройства.
	Не используйте круглые режущие элементы.	Не используйте круглые режущие элементы.
	Не оставляйте под дождем.	Во время дождя не используйте устройство и не оставляйте его вне помещения.

	CE	Соответствует основным требованиям стандартов безопасности Европейских директив.
	WEEE	Неисправные электрические устройства нельзя выбрасывать вместе с бытовым мусором. Сдавайте их в авторизованные пункты сбора и утилизации.
	Шум	Гарантированный уровень звуковой мощности. Уровень шума в окружающей среде в соответствии с директивой ЕС.
V	Вольт	Напряжение
mm	Миллиметр	Длина или размер
cm	Сантиметр	Длина или размер
in.	дюйм	Длина или размер
kg	Килограмм	Масса

RU

ВАЖНЫЕ ИНСТРУКЦИИ ПО ТЕХНИКЕ БЕЗОПАСНОСТИ

⚠ ПРЕДУПРЕЖДЕНИЕ. При использовании триммеров с леской необходимо соблюдать следующие основные меры предосторожности для уменьшения вероятности возникновения пожара, поражения электрическим током и получения травм.

ВНИМАТЕЛЬНО ПРОЧИТАЙТЕ ПЕРЕД ИСПОЛЬЗОВАНИЕМ

СОХРАНИТЕ ДЛЯ ИСПОЛЬЗОВАНИЯ В БУДУЩЕМ

⚠ ОПАСНО! Не полагайтесь на изоляцию устройства от поражения электрическим током. Чтобы снизить риск поражения электрическим током, не используйте устройство вблизи каких-либо проводов или кабелей (питания и др.), которые могут быть под напряжением.

⚠ ВНИМАНИЕ! Во время использования устройства надевайте соответствующие индивидуальные средства защиты органов слуха. При определенных условиях и длительности использования шум от данного устройства может привести к потере слуха.

ОБУЧЕНИЕ

- Внимательно прочитайте инструкции. Ознакомьтесь со всеми элементами управления и научитесь правильному использованию оборудования.
- Никогда не позволяйте пользоваться устройством детям или людям, не знакомым с этими инструкциями. Местные нормы могут ограничивать возраст оператора.
- Помните, что оператор или владелец несут ответственность за несчастные случаи и ущерб, нанесенный другим людям или их имуществу.

ПОДГОТОВКА

- Не используйте устройство, если рядом с вами находятся люди (особенно дети) или животные.
- При работе с устройством надевайте защитные очки и прочную обувь.
- Расстояние между устройством и посторонними лицами должно составлять не менее 15 м.

ИСПОЛЬЗОВАНИЕ

- Используйте инструмент только при дневном свете или хорошем искусственном освещении.
- Не используйте инструмент, если щитки повреждены или не установлены.
- Перед запуском двигателя убедитесь, что режущие части находятся на достаточном расстоянии от рук и ног.
- Всегда отключайте устройство от источника питания (т.е. извлекайте вилку из розетки или отключайте отключающее устройство) в следующих случаях:
 - если инструмент остается без присмотра;
 - перед очисткой засорения;
 - перед проверкой, очисткой или выполнением работ, связанных с устройством;
 - после столкновения с посторонним предметом;
 - в случае чрезмерной вибрации устройства.
- Чтобы не допустить получения травм, руки и ноги должны находиться на безопасном расстоянии от режущих частей.
- Следите за тем, чтобы вентиляционные отверстия не были засорены.

ОБСЛУЖИВАНИЕ И ХРАНЕНИЕ

- Прежде чем выполнять обслуживание или очистку, всегда отключайте устройство от источника питания (т.е. извлекайте вилку из розетки или отключайте отключающее устройство).
- Используйте только запасные части и дополнительные приспособления, рекомендованные производителем.
- Регулярно проверяйте и выполняйте техническое обслуживание устройства. Ремонт устройства должен выполнять только квалифицированный специалист.
- Если инструмент не используется, храните его в недоступном для детей месте.

ПРОЧИЕ ПРЕДУПРЕЖДЕНИЯ ПО ТЕХНИКЕ БЕЗОПАСНОСТИ

- **Не подпускайте к устройству детей** — все посторонние должны находиться на расстоянии не менее 15 метров от рабочей зоны.
- **Не допускайте работы в опасных условиях** — не используйте триммеры в сырых и влажных местах.
- **Всегда выключайте кусторез или извлекайте из него аккумулятор, когда оставляете устройство без присмотра.**
- **Не используйте во время дождя.**
- **Одевайтесь надлежащим образом** — не надевайте свободную одежду и украшения. Они могут попасть в движущиеся части. Рекомендуется использовать резиновые перчатки и прочную обувь при работе на открытом воздухе. Надевайте защитный головной убор, чтобы убрать длинные волосы.
- **Используйте защитные очки** — если во время работы возникает пыль, надевайте маску для лица или респиратор.
- **Используйте подходящий инструмент** — не используйте устройство не по назначению.
- **Не прилагайте чрезмерных усилий к кусторезу.** Устройство работает эффективнее и безопаснее при номинальной нагрузке.
- **Будьте бдительны** — следите за выполняемой работой. Руководствуйтесь здравым смыслом. Не пользуйтесь триммером, если устали.
- **Не используйте кусторез в состоянии алкогольного или наркотического опьянения.**
- **Защитные ограждения должны быть установлены и находиться в рабочем состоянии.**
- **Всегда держите руки и ноги подальше от режущих частей.**
- **Храните кусторез в помещении.** Если устройство не используется, его необходимо хранить с извлеченным аккумулятором в сухом, высоком или закрытом месте, недоступном для детей.

- **Обслуживайте кусторез с осторожностью.** Для оптимальной производительности и снижения риска получения травмы следите за тем, чтобы режущий элемент был чистым. Соблюдайте инструкции по замене принадлежностей. Следите за тем, чтобы рукоятки были сухими и чистыми и на них не было масла или смазочного материала.
- **Проверяйте инструмент на наличие поврежденных частей.** Перед дальнейшим использованием инструмента необходимо тщательно проверить щиток или другие поврежденные части и убедиться в их исправной работе и выполнении предназначенной функции. Проверьте движущиеся части на правильность выравнивания и сцепления, а также все остальные части устройства на наличие повреждений, надежность крепления и другие условия, которые могут повлиять на работу устройства. В случае повреждения щиток или другие части необходимо отремонтировать надлежащим образом или заменить в авторизованном сервисном центре, если иное не указано в данном руководстве пользователя.
- **Убедитесь, что все фиксаторы установлены и надежно закреплены. Убедитесь, что щиток режущего элемента установлен надлежащим образом в положении, рекомендованном производителем.**
- **Очищайте обрабатываемый участок перед каждым использованием инструмента.** Удалите такие предметы, как камни, осколки стекла, гвозди, проволоку или веревки, которые могут запутаться в режущем элементе или которые он может отбросить. На участке не должны находиться дети, посторонние и животные. Дети, посторонние и животные должны находиться на расстоянии не менее 15 м. Но за пределами этой зоны все еще сохраняется риск получения травм от отлетающих предметов. Посторонние лица должны надевать защитные очки.
- **Во время использования всегда крепко держите кусторез обеими руками за рукоятки. Обхватите рукоятки пальцами.**
- **Не допускайте случайного включения.** Во время переноски кустореза не держите палец на курке.
- **Не используйте кусторез в горячих и взрывоопасных средах.** Во время работы двигатель устройства генерирует искры, которые могут воспламенить горячие газы.
- **Повреждение кустореза.** Если устройство столкнулось с посторонним предметом или запуталось в чем-либо, немедленно выключите его, проверьте кусторез на наличие повреждений и отремонтируйте повреждения перед следующим использованием устройства. Не используйте устройство с поврежденными щитком или режущим элементом.
- **Если устройство чрезмерно вибрирует, выключите двигатель и немедленно выясните причину. Обычно вибрация указывает на возникновение проблемы.** Ослабленный режущий элемент может вибрировать, треснуть, сломаться или соскочить с кустореза, что может привести к серьезным травмам или смерти. Убедитесь, что режущий элемент установлен правильно и надежно закреплен. Если режущий элемент расшатывается после закрепления, немедленно замените его. Никогда не используйте кусторез, если его режущий элемент плохо закреплен.
- **Чтобы снизить риск получения травм при потере контроля, никогда не работайте на стремянке или на любой другой неустойчивой поверхности. Никогда не поднимайте режущий элемент выше уровня талии.**
- **Сохраняйте устойчивое положение.** Не перенапрягайтесь. Режущий элемент должен быть расположен ниже уровня талии. Следите за тем, чтобы все части тела находились на расстоянии от вращающегося режущего элемента.
- **Немедленно замените режущий элемент, если он треснул, поврежден или изношен, даже если повреждения являются лишь поверхностными трещинами.** Поврежденные режущие элементы могут разрушиться на высокой скорости и нанести серьезные или фатальные травмы.
- **Регулярно проверяйте режущий элемент во время использования, а также сразу после обнаружения серьезных изменений в работе устройства.**
- **В случае приближения к препятствиям или посторонним лицам остановите двигатель и режущий элемент. При использовании инструментов с режущими элементами существует дополнительный риск получения травм посторонними лицами от движущегося режущего элемента в случае его отдачи или другой неожиданной реакции.**
- **Предупредите оператора об опасности отдачи режущего элемента.**
 - Отдача возникает при контакте вращающегося режущего элемента с объектом, который он не может сразу разрезать.

- Отдача может быть достаточно сильной, чтобы оттолкнуть устройство и/или оператора в любом направлении и привести к потере контроля над устройством.
- Отдача может возникнуть внезапно, если режущий элемент зацепился, застрял или зажался.
- Отдача наиболее вероятна в таких ситуациях, когда обрабатываемый материал плохо видно.
- **Не прикрепляйте никакие режущие элементы к устройству без надлежащей установки всех необходимых частей.** Несоблюдение рекомендаций по установке надлежащих частей может привести к отлетанию режущего элемента и нанесению серьезных травм оператору и/или посторонним лицам. Заменяйте погнутые, изношенные, треснувшие, сломанные или как-либо иначе поврежденные режущие элементы. Используйте только острые режущие элементы. Тупой режущий элемент чаще застревает и провоцирует отдачу.
- Режущий элемент по инерции может нанести травмы во время вращения даже при остановке двигателя или отпуске курка. Сохраняйте полный контроль над устройством, пока режущий элемент полностью не остановится.
- Не заряжайте аккумулятор под дождем или во влажных условиях.
- Используйте только аккумуляторы и зарядные устройства, указанные ниже.
- **Запасные части.** При ремонте используйте только идентичные запасные части EGO. Использование других принадлежностей или приспособлений может привести к получению травмы.
- **Работающие от аккумуляторов инструменты не требуется подключать к розетке электросети, поэтому они всегда готовы к использованию.** Помните о возможности возникновения опасных ситуаций даже когда устройство не используется. Соблюдайте осторожность при выполнении технического обслуживания или ремонта.
- Извлеките и отсоедините аккумулятор перед выполнением обслуживания, очистки или удаления материала из кустореза.
- Не мойте устройство из шланга. Избегайте попадания воды в двигатель и электрические соединения.
- При возникновении ситуаций, не описанных в данном руководстве, соблюдайте осторожность и руководствуйтесь здравым смыслом. Обратитесь в сервисный центр EGO за помощью.
- Сохраните данные инструкции. Регулярно просматривайте их и предоставляйте для ознакомления другим пользователям. Одалживая кому-либо устройство, передайте также данные инструкции для предотвращения неправильного использования и возможных травм.

АККУМУЛЯТОР	ЗАРЯДНОЕ УСТРОЙСТВО
BA1120E, BA2240E, BA2800	CH2100E CH5500E

- **Прежде чем выбрасывать устройство, необходимо извлечь аккумулятор.**
- **Не бросайте аккумуляторы в огонь.** Аккумуляторы могут взорваться. Ознакомьтесь с местными нормами и правилами, которые могут содержать специальные инструкции по утилизации.
- **Не вскрывайте и не деформируйте аккумулятор.** Вытекший электролит может стать причиной коррозии и привести к повреждению глаз или кожи. Он токсичен при проглатывании.
- **Будьте осторожны при обращении с аккумуляторами, чтобы не замкнуть контакты предметами из проводящих материалов, такими как кольца, браслеты и ключи.** Аккумулятор или контакт могут перегреться и вызвать ожоги.

ПРИМЕЧАНИЕ. ДОПОЛНИТЕЛЬНЫЕ СПЕЦИАЛЬНЫЕ ПРАВИЛА ТЕХНИКИ БЕЗОПАСНОСТИ СМ. В РУКОВОДСТВЕ ПОЛЬЗОВАТЕЛЯ ПРИВОДНОГО БЛОКА.

ТЕХНИЧЕСКИЕ ХАРАКТЕРИСТИКИ

Ширина резания	30 см	
Скорость работы без нагрузки	5000/6000 мин ⁻¹	
Масса	1,82 кг	
Измеренный уровень звуковой мощности L_{WA}	96,5 дБ (А) K=1,88 дБ (А)	
Уровень звукового давления на уши оператора L_{PA}	84,5 дБ (А) K=3 дБ (А)	
Гарантированный уровень звуковой мощности L_{WA} (измерен в соответствии с 2000/14/ЕС)	98 дБ (А)	
Вибрация a_n	Передняя вспомогательная рукоятка	2,8 м/с ² k=1,6 м/с ²
	Задняя рукоятка	3,1 м/с ² k=1,6 м/с ²

- Вышеуказанные параметры протестированы и измерены при использовании с приводным блоком RH1400E.
- Указанный общий показатель уровня вибрации был определен с помощью стандартного теста и может быть использован для сравнения разных инструментов.
- Указанный общий уровень вибрации может использоваться также для предварительной оценки уровня воздействия.

ПРИМЕЧАНИЕ. Реальное вибрационное воздействие электроинструмента может отличаться от указанного в зависимости от способа использования. В целях безопасности оператор должен надевать перчатки и средства защиты органов слуха во время использования устройства.

Рекомендуемый режущий элемент

НАЗВАНИЕ ДЕТАЛИ	НОМЕР МОДЕЛИ
Режущий элемент кустореза	ABB1203

УПАКОВОЧНЫЙ ЛИСТ

название детали	количество
Насадка кустореза	1
Режущий элемент с чехлом	1
Щиток	1
Защитный элемент (ТОЛЬКО для использования с головкой триммера)	1
Шестигранный ключ	1
Многофункциональный гаечный ключ	1
Руководство по эксплуатации	1

ОПИСАНИЕ

ЧАСТИ НАСАДКИ КУСТОРЕЗА (Рис. А)

1. Концевой колпачок
2. Вал кустореза
3. Щиток
4. Режущий элемент
5. Чехол режущего элемента
6. Проволочный зажим
7. Уплотнительный винт
8. Корпус редуктора
9. Отверстие блокировки вала
10. Внешний фланец
11. Многофункциональный гаечный ключ
12. Шестигранный ключ
13. Защитный элемент (ТОЛЬКО для использования с головкой триммера)

⚠ ПРЕДУПРЕЖДЕНИЕ. Никогда не используйте устройство без надежно установленного щитка. Щиток всегда должен быть установлен на устройство для защиты пользователя.

⚠ ПРЕДУПРЕЖДЕНИЕ. При использовании устройства в качестве триммера с леской, оснащенного головкой триммера, защитный элемент должен устанавливаться поверх щитка. В противном случае это может привести к чрезмерному вытягиванию режущей лески и перегрузке двигателя.

RU

СБОРКА

⚠ ПРЕДУПРЕЖДЕНИЕ. Если какие-либо части повреждены или отсутствуют, не используйте устройство, пока они не будут заменены. Использование устройства в случае повреждения или отсутствия частей может привести к получению серьезной травмы.

⚠ ПРЕДУПРЕЖДЕНИЕ. Не пытайтесь изменить конструкцию триммера или создать не рекомендованные для него дополнительные приспособления. Подобное изменение считается ненадлежащим использованием и способствует возникновению опасной ситуации, которая приведет к получению серьезной травмы.

⚠ ПРЕДУПРЕЖДЕНИЕ. Всегда надевайте прочные перчатки при установке или извлечении режущего элемента или щитка, а также при выполнении каких-либо работ по обслуживанию режущего элемента. Остерегайтесь режущего элемента и берегите руки от порезов.

⚠ ПРЕДУПРЕЖДЕНИЕ. Не подключайте устройство к приводному блоку до завершения сборки. Несоблюдение данного правила может привести к преждевременному запуску и получению серьезных травм.

ПРИМЕЧАНИЕ. Правильный порядок сборки насадки кустореза: сначала установка щитка, затем режущего элемента, а затем присоединение к приводному блоку.

⚠ ПРЕДУПРЕЖДЕНИЕ. Никогда не используйте устройство без надежно установленных на место щитка и передней вспомогательной рукоятки с ограждением. В противном случае это может привести к серьезным травмам.

УСТАНОВКА ЩИТКА

1. Поднимите головку кустореза и переверните ее. Совместите два крепежных отверстия на щитке с двумя болтами, которые предустановлены на крепежной панели. Убедитесь, что внутренняя поверхность щитка обращена в сторону головки кустореза (Рис. С).
2. Зафиксируйте щиток на месте при помощи болтов и прилагаемого шестигранного ключа (Рис. D).

УСТАНОВКА РЕЖУЩЕГО ЭЛЕМЕНТА

1. Режущий элемент поставляется с чехлом. Перед установкой режущего элемента на кусторез необходимо снять с него чехол, сняв проволочный зажим с крючка на чехле (Рис. E).

Описание частей на Рис. E

E-1	Крючок
E-2	Проволочный зажим

2. Проверните внешний фланец, чтобы совместить отверстие на внутреннем фланце с отверстием блокировки вала на корпусе редуктора (Рис. F).
3. Вставьте прилагаемый шестигранный ключ в совмещенные отверстия в качестве фиксатора (Рис. G).

Описание частей на Рис. F и G

F-1	Корпус редуктора	F-3	Внешний фланец
F-2	Совмещенные отверстия блокировки вала	G-1	Фиксатор

4. Положите головку кустореза на твердую поверхность для опоры. Одной рукой возьмитесь за вал кустореза, а другой рукой при помощи прилагаемого многофункционального гаечного ключа открутите гайку в направлении, указанном стрелкой на внешнем фланце, а затем снимите гайку и внешний фланец. Отложите их для последующей сборки (Рис. H).
5. Установите режущий элемент на вал двигателя и убедитесь, что поверхность режущего элемента плотно прилегает к выпуклой части внутреннего фланца. Установите на место внешний фланец и гайку (Рис. I). Предварительно затяните гайку ПРОТИВ ЧАСОВОЙ СТРЕЛКИ вручную.

Описание частей на Рис. I

I-1	Выпуклая часть внутреннего фланца	I-4	Внешний фланец
I-2	Вал двигателя	I-5	Режущий элемент
I-3	Гайка		

6. Проверните внешний фланец, чтобы совместить отверстие на внутреннем фланце с отверстием блокировки вала на корпусе редуктора, и вставьте прилагаемый шестигранный ключ в совмещенные отверстия в качестве фиксатора, как показано в предыдущих пунктах 2 и 3.
7. Положите головку кустореза на твердую поверхность для опоры. Одной рукой возьмитесь за режущий элемент, а другой рукой при помощи прилагаемого многофункционального гаечного ключа затяните гайку в направлении, противоположном указанному стрелкой на внешнем фланце (Рис. J).

Использование защитного элемента

ПРИМЕЧАНИЕ. При использовании устройства в качестве триммера с леской, оснащенного головкой триммера, защитный элемент должен устанавливаться поверх щитка (Рис. К).

Закрепите защитный элемент на щитке, затянув три винта при помощи прилагаемого шестигранного ключа. В противном случае это может привести к чрезмерному вытягиванию режущей лески и перегрузке двигателя.

УСТАНОВКА НАСАДКИ КУСТОРЕЗА НА ПРИВОДНОЙ БЛОК

Эта насадка кустореза предназначена для использования с приводным блоком EGO PH1400E.

См. раздел «УСТАНОВКА ИНСТРУМЕНТА НА ПРИВОДНОЙ БЛОК» в руководстве пользователя приводного блока PH1400E.

ИСПОЛЬЗОВАНИЕ

⚠ ПРЕДУПРЕЖДЕНИЕ. Не допускайте небрежности и беспечности при работе с устройством. Помните, что потери бдительности на долю секунды достаточно для получения серьезной травмы.

⚠ ПРЕДУПРЕЖДЕНИЕ. Всегда надевайте защитные очки с боковыми щитками, а также средства защиты органов слуха. В противном случае выбрасываемые предметы попадут в глаза, что может привести к получению серьезной травмы.

ПРИМЕНЕНИЕ

Данное устройство можно использовать в следующих целях:

- срезания травы, сорняков, дикой поросли и кустарников, прореживания молодых растений с диаметром стебля не более 2 см.

ПРИМЕЧАНИЕ. Инструмент должен использоваться только по назначению. Любое другое использование, кроме упомянутого, считается ненадлежащим.

ИСПОЛЬЗОВАНИЕ КУСТОРЕЗА С ПРИВОДНЫМ БЛОКОМ

⚠ ПРЕДУПРЕЖДЕНИЕ. Одевайтесь надлежащим образом, чтобы снизить риск получения травм при использовании данного инструмента. Не надевайте свободную одежду и украшения. Используйте средства защиты органов зрения и слуха. Надевайте плотные длинные брюки, прочную обувь и перчатки. Не надевайте шорты, сандалии и не работайте босиком.

Для более безопасной и удобной работы используйте наплечный ремень. Отрегулируйте наплечный ремень до удобного положения. Удерживайте кусторез одной рукой за заднюю рукоятку, а другой — за переднюю вспомогательную рукоятку. Во время работы крепко держите устройство обеими руками. Кусторез необходимо держать в удобном положении так, чтобы задняя рукоятка была расположена на уровне бедра. Обеспечьте надежный захват и сохраняйте устойчивое положение на обеих ногах.

Расположитесь таким образом, чтобы отдача режущего элемента не могла нарушить вашего равновесия (Рис. В).

⚠ ПРЕДУПРЕЖДЕНИЕ. Наплечный ремень также является быстроразъемным механизмом, используемым в опасных ситуациях. В случае возникновения чрезвычайной ситуации немедленно снимите его с плеча любым способом.

Для резки дикой поросли и кустарника опустите вращающийся режущий элемент на растительность для достижения измельчающего эффекта. Используйте кусторез как косу (перемещайте справа налево) на уровне земли. Никогда не поднимайте режущий элемент выше уровня талии.

⚠ ПРЕДУПРЕЖДЕНИЕ. Чем выше режущий элемент над землей, тем выше риск получения травмы от отбрасываемых в стороны обрезков.

⚠ ПРЕДУПРЕЖДЕНИЕ. При резке молодой растительности или других древесных материалов со стеблем диаметром не более 2 см используйте левую сторону режущего элемента для предотвращения риска отдачи. Не пытайтесь срезать древесные материалы большего диаметра, так как режущий элемент может застрять и отбросить кусторез вперед. Это может привести к повреждению режущего элемента или кустореза, а также к потере контроля над кусторезом и травмам.

⚠ ПРЕДУПРЕЖДЕНИЕ. Неправильное использование режущего элемента кустореза может привести к его растрескиванию, раскалыванию и повреждению.

Отбрасываемые части могут нанести серьезные травмы оператору и посторонним лицам. Чтобы снизить риск получения травм, необходимо принять следующие меры предосторожности.

- Избегайте контакта режущего элемента с твердыми посторонними предметами, такими как камни или фрагменты металла.
- Никогда не режьте растительность с диаметром стебля более 2 см.

RU

- Регулярно проверяйте режущий элемент на предмет повреждений. Не продолжайте работу с поврежденным режущим элементом.
- Регулярно затачивайте режущий элемент (когда он заметно затупляется) и выполняйте его балансировку, если требуется (с помощью квалифицированного специалиста).

ОТДАЧА РЕЖУЩЕГО ЭЛЕМЕНТА

Проявляйте крайнюю осторожность при использовании режущего элемента с этим устройством. Отдача режущего элемента — это реакция, которая может возникнуть при контакте вращающегося режущего элемента с препятствием, которое он не может разрезать. В результате этого контакта режущий элемент на мгновение останавливается и затем внезапно отскакивает от объекта, с которым столкнулся. Эта реакция может быть достаточно сильной, чтобы привести к потере контроля над устройством. Отдача может возникнуть внезапно, если режущий элемент зацепился, застрял или зажался. Отдача наиболее вероятна в таких ситуациях, когда обрабатываемый материал плохо видно. Для легкой и безопасной резки работайте кусторезом справа налево. В случае столкновения с посторонним предметом такая техника позволит минимизировать реакцию отдачи.

RU

Перед каждым использованием проверяйте устройство на наличие поврежденных и изношенных частей.

Проверьте режущий элемент, щиток и переднюю вспомогательную рукоятку и замените все треснувшие, деформированные, изогнутые или поврежденные части.

Кромка режущего элемента может со временем затупляться. Рекомендуется переворачивать режущий элемент, чтобы продлить срок его службы, а также периодически затачивать (при помощи квалифицированного специалиста) или заменять на новый, если требуется.

Очищайте кусторез после каждого использования.

Инструкции по очистке см. в разделе «**ОБСЛУЖИВАНИЕ**».

⚠ ПРЕДУПРЕЖДЕНИЕ. Перед очисткой или ремонтом кустореза убедитесь, что режущий элемент полностью остановился. В противном случае это может привести к серьезным травмам.

ВКЛЮЧЕНИЕ И ВЫКЛЮЧЕНИЕ ИНСТРУМЕНТА

См. раздел «**ВКЛЮЧЕНИЕ И ВЫКЛЮЧЕНИЕ ПРИВОДНОГО БЛОКА**» в руководстве пользователя приводного блока PH1400E.

ОБСЛУЖИВАНИЕ

⚠ ПРЕДУПРЕЖДЕНИЕ. Прежде чем выполнять проверку, очистку или обслуживание устройства, выключите двигатель, дождитесь, пока все движущиеся детали полностью остановятся, а затем извлеките аккумулятор. Несоблюдение данных инструкций может привести к серьезным травмам или материальному ущербу.

⚠ ПРЕДУПРЕЖДЕНИЕ. При ремонте используйте только идентичные запасные части. Использование других запасных частей может привести к возникновению опасной ситуации или повреждению устройства. Чтобы обеспечить безопасность и надежность устройства, его ремонт должен выполнять квалифицированный специалист.

⚠ ПРЕДУПРЕЖДЕНИЕ. Всегда надевайте прочные перчатки при установке или извлечении режущего элемента, а также при выполнении каких-либо работ по обслуживанию режущего элемента. Остерегайтесь режущего элемента и берегите руки от порезов.

ОБЩЕЕ ОБСЛУЖИВАНИЕ

Не используйте растворители для очистки пластиковых частей. Большинство пластиковых частей чувствительны к различным бытовым растворителям и могут быть повреждены. Для очистки от грязи, пыли, масла, смазки и т. п. используйте чистую ткань.

ОЧИСТКА УСТРОЙСТВА

- Извлеките аккумулятор.
- После каждого использования удаляйте мусор, налипшую почву и траву с режущего элемента и щитка при помощи мягкой щетки.
- Очищайте поверхность инструмента чистой тканью, смоченной в слабом мыльном растворе.
- С помощью маленькой щетки или небольшого пылесоса очистите вентиляционные отверстия на задней стороне корпуса.
- Следите за тем, чтобы вентиляционные отверстия не были засорены.

Если режущий элемент затупился, то затупились оба его края. Заточите его у квалифицированного специалиста или замените на новый режущий элемент, если требуется.

ЗАМЕНА РЕЖУЩЕГО ЭЛЕМЕНТА

⚠ ПРЕДУПРЕЖДЕНИЕ. Изношенные, треснувшие или поврежденные режущие элементы могут поломаться и их фрагменты могут опасно разлетаться в стороны. Отбрасываемые предметы могут нанести серьезные травмы. Регулярно проверяйте режущий элемент и не используйте кусторез с изношенным или поврежденным режущим элементом.

⚠ ПРЕДУПРЕЖДЕНИЕ. При демонтаже, заточке и установке режущего элемента используйте подходящие средства защиты глаз.

Извлечение режущего элемента

1. Извлеките аккумулятор.
2. Проверните внешний фланец, чтобы совместить отверстие на внутреннем фланце с отверстием блокировки вала на корпусе редуктора, и вставьте прилагаемый шестигранный ключ в совмещенные отверстия в качестве фиксатора, как показано в пунктах 2 и 3 в разделе «УСТАНОВКА РЕЖУЩЕГО ЭЛЕМЕНТА».
3. Положите головку кустореза на твердую поверхность для опоры. Одной рукой возьмитесь за режущий элемент, а другой рукой при помощи прилагаемого многофункционального гаечного ключа открутите гайку в направлении, указанном стрелкой на внешнем фланце, а затем снимите гайку, внешний фланец и изношенный режущий элемент (Рис. L).
4. Проверьте и замените внутренний фланец и крышку фланца, если они изношены (Рис. M).

Описание частей на Рис. M

M-1	Вал двигателя	M-5	Внешний фланец
M-2	Внутренний фланец	M-6	Гайка
M-3	Крышка фланца	M-7	Отверстие фланца
M-4	Режущий элемент		

5. Установите новый режущий элемент на вал двигателя в порядке, показанном на Рис. M. В точности следуйте шагам, описанным в пунктах 5, 6 и 7 в разделе «УСТАНОВКА РЕЖУЩЕГО ЭЛЕМЕНТА».

СМАЗКА ШЕСТЕРНЕЙ РЕДУКТОРА

Шестерни в редукторе необходимо периодически смазывать трансмиссионной смазкой. Проверяйте уровень смазки каждые 50 часов работы, сняв уплотнительный винт на боковой стороне корпуса.

Если по бокам шестерней не видно следов смазки, выполните указанные ниже действия, чтобы залить трансмиссионную смазку на 3/4 объема.

Не заливайте шестерни редуктора полностью.

1. Удерживайте кусторез таким образом, чтобы уплотнительный винт был направлен вверх (Рис. N).
2. Используйте прилагаемый многофункциональный гаечный ключ, чтобы открутить и извлечь уплотнительный винт.
3. Используйте смазочный шприц (не входит в комплект), чтобы впрыснуть немного смазки в отверстие для винта.
4. Закрутите уплотнительный винт после смазки.

ХРАНЕНИЕ УСТРОЙСТВА

- Извлеките аккумулятор из устройства.
- Наденьте прочные перчатки и выполните тщательную очистку устройства.
- Для безопасного хранения наденьте чехол на режущий элемент (Рис. O).
- Снимите насадку кустореза с приводного блока и наденьте концевой колпачок на вал насадки, если требуется.
- Храните устройство в сухом, хорошо проветриваемом, закрытом или высоком месте, недоступном для детей. Не храните устройство рядом с удобрениями, бензином или другими химическими веществами.



Защита окружающей среды



Не выбрасывайте электрооборудование, зарядные устройства, батарейки и аккумуляторы вместе с бытовыми отходами!

В соответствии с европейским законом 2012/19/EU электрическое и электронное оборудование, которое не подлежит дальнейшей эксплуатации, а также непригодные и использованные батарейки и аккумуляторы (согласно европейскому закону 2006/66/EC) должны быть утилизированы отдельно.

При утилизации электрических устройств на свалках в подземные воды могут просочиться опасные вещества, которые затем попадут в пищевую цепь и приведут к общему ухудшению здоровья и благополучия.

RU

ДЕКЛАРАЦИЯ О СООТВЕТСТВИИ НОРМАМ ЕС



Мы, EGO EUROPE GMBH

Wahlwiesenstrasse 1, D-71711 Steinheim an der Murr
Deutschland

Заявляем, что насадка кустореза для беспроводного приводного блока с литий-ионным аккумулятором 56 В ВСА1200, предназначенная для использования с приводным блоком PH1400E,

соответствует основным правилам техники безопасности и производственной санитарии следующих директив:

2006/42/EC, 2014/30/EU, 2011/65/EU, 2000/14/EC

Стандарты и технические требования, относящиеся к:

EN ISO 11806-1, EN 60745-1, EN 55014-1, EN 55014-2

Измеренный уровень звукового давления: 96,5 дБ (А).

Гарантированный уровень звуковой мощности: 98 дБ (А).

Peter Melrose
Директор EGO Europe GmbH

Dong Jianxun
Руководитель отдела
технического контроля Chervon

* (уполномоченный представитель CHERVON и лицо, ответственное за техническую документацию)

01/12/2016

УСТРАНЕНИЕ НЕИСПРАВНОСТЕЙ

ПРОБЛЕМА	ПРИЧИНА	РЕШЕНИЕ
Кусторез не запускается.	<ul style="list-style-type: none"> ■ Аккумулятор не установлен в приводной блок. ■ Нет электрического контакта между приводным блоком и аккумулятором. ■ Аккумулятор разряжен. ■ Рычаг блокировки и курковый переключатель не зажаты одновременно. 	<ul style="list-style-type: none"> ■ Установите аккумулятор в приводной блок. ■ Извлеките аккумулятор, проверьте контакты и установите аккумулятор на место до щелчка. ■ Зарядите аккумулятор с помощью зарядного устройства EGO, указанного в данном руководстве. ■ Нажмите на рычаг блокировки и удерживайте его, затем зажмите курковый переключатель, чтобы включить кусторез.
Кусторез остановился во время резки.	<ul style="list-style-type: none"> ■ Двигатель перегружен. ■ Аккумулятор или приводной блок перегрелся. ■ Аккумулятор не подключен к устройству. ■ Аккумулятор разряжен. 	<ul style="list-style-type: none"> ■ Двигатель начнет работать снова, как только нагрузка уменьшится. При длительной работе снизьте нагрузку на приводной блок. ■ Дайте аккумулятору или приводному блоку остыть, пока его температура не упадет ниже 67°C. ■ Установите аккумулятор. ■ Зарядите аккумулятор с помощью зарядного устройства EGO, указанного в данном руководстве.

RU

ГАРАНТИЯ

ГАРАНТИЙНАЯ ПОЛИТИКА EGO

Посетите веб-сайт egopowerplus.com, чтобы ознакомиться со всеми условиями и сроками гарантийной политики EGO.

PRZECZYTAJ WSZYSTKIE INSTRUKCJE!



PRZECZYTAJ INSTRUKCJĘ OPERATORA

⚠ Ryzyko szczytkowe! Osoby z urządzeniami elektronicznymi, takimi jak rozruszniki serca, powinny przed użyciem produktu skonsultować się ze swoim(i) lekarzem/-ami. Używanie urządzeń elektrycznych blisko rozrusznika serca może spowodować zakłócenia lub uszkodzić rozrusznik.

⚠ OSTRZEŻENIE: Aby zagwarantować bezpieczeństwo i niezawodność, wszystkie naprawy i wymiany części powinny być wykonywane przez wykwalifikowanych techników serwisu.

SYMBOLE BEZPIECZEŃSTWA

Celem symboli bezpieczeństwa jest zwrócenie uwagi użytkownika na możliwe zagrożenia. Symbole bezpieczeństwa i objaśnienia do nich zasługują na to, by je uważnie przestudiować i zrozumieć. Symbole bezpieczeństwa nie eliminują same z siebie jakichkolwiek zagrożeń. Podawane w nich instrukcje i ostrzeżenia nie zastępują odpowiednich środków zapobiegania wypadkom.

⚠ OSTRZEŻENIE: Przed użyciem narzędzia prosimy przeczytać i zrozumieć wszystkie instrukcje dotyczące bezpieczeństwa podane w podręczniku użytkownika, łącznie z wszystkimi symbolami ostrzegawczymi takimi jak „**NIEBEZPIECZEŃSTWO**”, „**OSTRZEŻENIE**” i „**UWAGA**”. Niestosowanie się do wszystkich podanych niżej instrukcji może doprowadzić do porażenia prądem, pożaru i/lub poważnych obrażeń.

ZNACZENIE SYMBOLI

⚠ SYMBOL OSTRZEGAWCZY: Oznacza **NIEBEZPIECZEŃSTWO, OSTRZEŻENIE** lub **PRZESTROGĘ**. Może być używany razem z innymi symbolami lub piktogramami.



⚠ OSTRZEŻENIE: Praca elektronarzędziami może spowodować wyrzucenie ciał obcych w oczy użytkownika, co może doprowadzić do poważnych urazów oczu. Przed rozpoczęciem pracy elektronarzędziem należy zawsze założyć gogle ochronne lub okulary z osłonami bocznymi, a w stosownych przypadkach także pełną osłonę na twarz. Zalecamy nakładanie na zwykłe okulary maski zabezpieczającej o szerokim polu widzenia lub stosowanie standardowych okularów zabezpieczających z osłonami bocznymi.

INSTRUKCJE DOTYCZĄCE BEZPIECZEŃSTWA

Na tej stronie pokazano i opisano symbole bezpieczeństwa, które mogą występować na produkcie. Przed podjęciem próby złożenia i użycia urządzenia należy przeczytać i zrozumieć wszystkie instrukcje dotyczące urządzenia oraz zastosować się do nich.

	Ostrzeżenie dotyczące bezpieczeństwa	Wskazuje na potencjalne ryzyko urazów ciała.
	Przeczytaj instrukcję operatora	Aby zmniejszyć ryzyko urazów, użytkownik musi przeczytać i zrozumieć instrukcję przed rozpoczęciem korzystania z produktu.
	Noś okulary ochronne	Podczas używania produktu należy zawsze nosić gogle ochronne lub okulary ochronne z osłonami bocznymi, a także pełną osłonę na twarz.
	Noś ochronniki słuchu	Hałas powstający podczas pracy kosą do zarosli może doprowadzić do uszkodzenia słuchu. W celu ochrony słuchu należy zawsze nosić ochronniki słuchu (zatyczki do uszu lub nauszniki).
	Noś kask ochronny	Aby chronić głowę, należy nosić atestowany kask ochronny.
	Noś rękawice ochronne	Na czas prac przy pile i łańcuchu tnącym należy zabezpieczyć ręce rękawicami. Wytrzymałe rękawice antypoślizgowe poprawiają uchwyt i chronią dłonie.
	Noś obuwie ochronne	Podczas używania urządzenia należy nosić obuwie ochronne z podeszwami antypoślizgowymi.
	Średnica żyłki	Maks. szerokość koszenia kosą do zarosli

PL

	Uwaga na możliwość odbicia ostrza	Prosimy ostrzec operatora o ryzyku związanym z odbiciem ostrza.
	Rykoszet	Przedmioty wyrzucone w powietrze mogą odbić się rykoszetem i doprowadzić do urazów lub strat materialnych.
	Osoby postronne trzymaj z daleka	Należy zawsze pilnować, aby inni ludzie oraz zwierzęta domowe pozostawali w odległości co najmniej 15 m od pracującej kosi do zarośli.
	Ne zakładać tarczy tnącej	Nie należy montować okrągłych tarcz tnących.
	Chroń przed deszczem	Nie używać w deszczu i nie zostawiać na dworze podczas deszczu.
	CE	Produkt jest zgodny z obowiązującymi dyrektywami WE.
	WEEE	Zużytych urządzeń elektrycznych nie należy wyrzucać razem ze zwykłymi odpadami domowymi. Należy je oddać do autoryzowanego punktu recyklingu.
	Hałas	Gwarantowany poziom mocy akustycznej. Emisja hałasu do środowiska zgodnie z dyrektywą Wspólnoty Europejskiej.
V	Wolt	Napięcie
mm	Milimetr	Długość lub rozmiar
cm	Centymetr	Długość lub rozmiar
in.	Cal	Długość lub rozmiar
kg	Kilogram	Ciężar

WAŻNE INSTRUKCJE DOTYCZĄCE BEZPIECZEŃSTWA

⚠ OSTRZEŻENIE: Podczas używania podkaszarek elektrycznych, aby zmniejszyć ryzyko pożaru, porażenia prądem i obrażeń, należy zawsze przestrzegać podstawowych zasad bezpieczeństwa, w tym m.in. zaleceń podanych poniżej.

PRZECZYTAJ UWAŻNIE PRZED UŻYCIEM

ZACHOWAJ NA PRZYSZŁOŚĆ

⚠ NIEBEZPIECZEŃSTWO: W odniesieniu do ochrony przed porażeniem prądem nie należy polegać tylko i wyłącznie na izolacji narzędzia. Aby ograniczyć ryzyko porażenia prądem, nigdy nie należy używać narzędzia w pobliżu jakichkolwiek przewodów lub kabli (zasilanie, itp.), które mogą być pod napięciem.

⚠ OSTROŻNIE: Podczas użytkowania należy nosić odpowiednie indywidualne środki ochrony słuchu. W niektórych sytuacjach i przy długotrwałym użytkowaniu hałas generowany przez narzędzie może przyczynić się do utraty słuchu.

Szkolenie

- Prosimy uważnie przeczytać instrukcję. Należy zapoznać się z elementami sterującymi i metodami poprawnej obsługi urządzenia.
- Nigdy nie należy pozwalać używać urządzenia osobom nieobeznanim z niniejszą instrukcją lub dzieciom. Przepisy lokalne mogą nakładać ograniczenia dotyczące wieku operatora.
- Należy pamiętać, że operator lub użytkownik ponosi odpowiedzialność za wypadki lub zagrożenia dotyczące osób trzecich lub ich własności.

Przygotowanie

- Nigdy nie należy używać urządzenia, gdy w pobliżu znajdują się ludzie (zwłaszcza dzieci) lub zwierzęta domowe.
- W czasie używania urządzenia należy nosić okulary i solidne buty.
- Odległość między maszyną a osobami postronnymi musi wynosić co najmniej 15 metrów.

Użytkowanie

- Urządzenia należy używać tylko przy świetle dziennym lub przy dobrym oświetleniu sztucznym.
- Urządzenia nie należy nigdy używać z uszkodzonymi osłonami lub bez założonych osłon.
- Silnik wolno włączyć dopiero wtedy, gdy ręce i stopy znajdują się z dala od urządzenia tnącego.

- W następujących sytuacjach urządzenie należy zawsze odłączyć od zasilania (tj. wyjąć wtyczkę z gniazdka lub wyjąć starter):
 - za każdym razem, gdy urządzenie zostaje pozostawione bez nadzoru;
 - przed odblokowaniem zablokowanego mechanizmu;
 - przed kontrolą, czyszczeniem lub wykonywaniem prac przy urządzeniu;
 - po uderzeniu w dowolny przedmiot;
 - za każdym razem, gdy urządzenie wpada w nietypowe wibracje.
- Należy uważać na ryzyko skaleczenia stóp i rąk elementem tnącym.
- Otwory wentylacyjne muszą być zawsze drożne.

Konserwacja i przechowywanie

- Przed przystąpieniem do czyszczenia lub prac konserwacyjnych urządzenie należy zawsze odłączyć od zasilania (tj. wyjąć wtyczkę z gniazdka lub wyjąć starter).
- Należy używać wyłącznie części zamiennych i akcesoriów zalecanych przez producenta.
- Urządzenie należy regularnie kontrolować i konserwować. Naprawy urządzenia powinien wykonywać wyłącznie serwisant z odpowiednimi uprawnieniami.
- Gdy urządzenie nie jest używane, należy je przechowywać w miejscu niedostępnym dla dzieci.

Inne ostrzeżenia dotyczące bezpieczeństwa

- **Dzieci powinny pozostawać z daleka** – Wszystkie osoby postronne muszą znajdować się co najmniej 15 m od miejsca pracy.
- **Należy unikać pracy w niebezpiecznych warunkach** – Nie używać podkaszarek w miejscach mokrych i zawilgoconych.
- **Gdy kosa do zarośli zostaje pozostawiona bez nadzoru, należy ją zawsze wyłączać lub wyjmować z niej akumulator.**
- **Nie używać w czasie deszczu.**
- **Należy dbać o właściwy ubiór** – Nie nosić luźnych ubrań ani biżuterii. Mogłyby one zahaczyć o poruszające się części. Do pracy na dworze zaleca się zakładanie gumowych rękawic i solidnego obuwia. Aby zabezpieczyć długie włosy, należy nosić okrycie głowy.
- **Należy nosić okulary ochronne** – W przypadku pracy powodującej pylenie należy zawsze nosić maskę przeciwpyłową lub maskę na twarz.
- **Należy używać właściwego narzędzia** – Nie używać narzędzia do celów, do których nie jest ono przeznaczone.
- **Kosy do zarośli nie wolno forsować** – Narzędzie pracujące z prędkością, do której zostało zaprojektowane, wykona pracę lepiej i z mniejszym ryzykiem obrażeń.
- **Należy być czujnym** – Należy patrzeć, co się robi i kierować się zdrowym rozsądkiem. Nie używać podkaszarki, kiedy jest się zmęczonym.
- **Nie używać kosi do zarośli, gdy jest się pod wpływem alkoholu lub narkotyków.**
- **Oslony zabezpieczające muszą być zawsze założone i sprawne.**
- **Ręce i stopy należy trzymać z dala od strefy koszenia.**
- **Kosę do zarośli należy przechowywać w zamkniętym pomieszczeniu** – Na czas, gdy kosa do zarośli nie jest używana, należy ją przechowywać w suchym pomieszczeniu, pod zamknięciem lub na wysokiej półce, z wyjątkiem akumulatorem – w miejscu niedostępnym dla dzieci.
- **O kosę do zarośli należy starannie dbać** – Aby uzyskać maksymalną wydajność i zapobiec ryzyku powstania urazów, element tnący musi być czysty. Należy przestrzegać instrukcji dotyczących wymiany akcesoriów. Należy dbać o to, aby uchwyty był suche, czyste i niezaplamił olejem lub smarem.
- **Uszkodzone części należy skontrolować** – Przed ponownym użyciem uszkodzonej kosi do zarośli, osłony lub części, należy dokładnie sprawdzić, czy narzędzie lub element będą działały właściwie i zgodnie z przeznaczeniem. Należy kontrolować, czy części ruchome są dobrze do siebie dopasowane, czy swobodnie się poruszają, czy nie są pęknięte lub uszkodzone i czy są właściwie zamontowane. Należy też kontrolować wszystkie inne czynniki, które mogłyby wpływać na ich działanie. O ile w instrukcji nie zastrzeżono inaczej, uszkodzona osłona lub inna część musi zostać odpowiednio naprawiona lub wymieniona przez autoryzowane centrum serwisowe.
- **Należy upewnić się, że wszystkie elementy mocujące są na miejscu i są dokręcone/zablokowane. Osłona elementu tnącego musi być prawidłowo zamocowana w pozycji zalecanej przez producenta.**
- **Przed każdym użyciem narzędzia należy uprzątnąć teren pracy.** Należy usunąć wszystkie przedmioty takie jak kamienie, pośluzzone szkło, gwoździe, kawałki drutu lub sznurka itp., które mogą zostać wyrzucone w powietrze lub mogą zaplątać się w końcówkę tnącą. Z terenu, który ma zostać skoszony należy wyprosić dzieci i osoby postronne oraz wygonić zwierzęta. Jako minimum dzieci i osoby postronne oraz zwierzęta muszą znajdować się w odległości 15 m (50 ft), jednak nawet w odległości ponad 15 m (50 ft) istnieje ryzyko urazów spowodowanych trafieniem wyrzucenymi w powietrze przedmiotami. Osoby postronne należy zachęcać do noszenia okularów ochronnych.

- **W czasie pracy kosę do zarośli należy zawsze mocno trzymać obiema rękoma za uchwyty. Palce i kciuki należy zaciskać na uchwytach.**
- **Należy unikać przypadkowego włączania** – Kosy do zarośli nie należy nosić z palcem na przełączniku wł./wyl.
- **Kosy do zarośli nie należy używać w strefach zagrożenia wybuchem lub w miejscach, w których występują łatwopalne gazy.** Silniki w tego typu urządzeniach zazwyczaj generują iskry, od których mogą się zapalić opary.
- **Uszkodzenie kosy do zarośli** – Jeśli urządzenie uderzy w jakąś przeszkodę lub zapłące się w coś, należy natychmiast wyłączyć narzędzie, sprawdzić, czy nie ma uszkodzeń, a jeśli są, wówczas naprawić je przed podjęciem próby dalszego użytkowania. Nie należy używać narzędzia z uszkodzoną osłoną lub z uszkodzonym ostrzem.
- **Jeśli urządzenie zaczyna nienormalnie wibrować, należy wyłączyć silnik i natychmiast sprawdzić, co jest przyczyną.** Wibracje są na ogół sygnałem ostrzegającym o problemach. Poluzowane ostrze może wibrować, pęknąć, rozlecieć się lub odpaść od kosy do zarośli, co może doprowadzić do poważnych lub śmiertelnych obrażeń. Należy upewnić się, że końcówka tnąca jest poprawnie zamocowana i pewnie dokręcona. Jeżeli po zamocowaniu ostrze obluzuje się, należy je natychmiast wymienić. Kosy do zarośli nie należy nigdy używać z poluzowaną końcówką tnącą.
- **Aby ograniczyć ryzyko urazów spowodowanych utratą kontroli, nigdy nie należy pracować na drabinie lub innych niebezpiecznych podporach. Końcówki tnące nie wolno nigdy trzymać powyżej pasa.**
- **Należy zawsze dbać o pewne podparcie nóg i zachowanie równowagi.** Nie sięgać za daleko. Końcówkę tnącą trzymać poniżej poziomu pasa. Wszystkie części ciała trzymać z dala od obracającej się końcówki tnącej.
- **Pęknięte, uszkodzone lub zużyte ostrze należy natychmiast wymienić, nawet jeśli uszkodzenie polega tylko na spękaniu powierzchni elementu.** Tego typu końcówki mogą rozpaść się przy dużej prędkości i spowodować poważne obrażenia lub śmierć.
- **W czasie użytkowania końcówkę tnącą należy sprawdzać w regularnych odstępach czasu.** W przypadku zauważalnej zmiany w sposobie koszenia kontrolę należy przeprowadzić natychmiast.
- **Jeśli do użytkownika zbliży się jakaś osoba, należy wyłączyć silnik i zatrzymać końcówkę tnącą.** W przypadku urządzeń z ostrzami istnieje dodatkowe ryzyko wystąpienia urazów osób postronnych spowodowanych uderzeniem poruszającym się ostrzem w razie odbicia ostrza lub innej nieoczekiwanej reakcji ostrza.
- **Prosimy ostrzec operatora o ryzyku związanym z odbiciem ostrza.**
 - Gdy kręcące się ostrze dotknie przedmiotu, który nie poddaje się natychmiastowemu przecięciu, może pojawić się siła odbicia ostrza.
 - Siła odbicia ostrza może być na tyle gwałtowna, że może spowodować odepchnięcie maszyny i/lub operatora w dowolną stronę, z możliwością utraty kontroli nad narzędziem.
 - Jeśli ostrze zaczepi o coś, zablokuje się lub zaklinuje, do odbicia może dojść bez jakiegokolwiek ostrzeżenia.
 - Odbicie ostrza zdarza się częściej w miejscach, w których trudno jest zobaczyć koszony materiał.
- **Nie należy zakładać żadnego ostrza do urządzenia bez prawidłowego zainstalowania wszystkich wymaganych części.** Bez użycia odpowiednich części mogłyby dojść do wyrzucenia ostrza w powietrze i do poważnych urazów operatora lub osób postronnych. Ostrza, które ulegną skrzywieniu, skręceniu, pęknięciu, nadłamaniu lub innemu uszkodzeniu należy zawsze wyrzucić. Używane ostrze musi być ostre. Tępe ostrze łatwiej klinuje się i ulega odbiciu.
- **Ostrze obracające się na luzie po wyłączeniu silnika lub puszczeniu spustu może spowodować urazy.** Do momentu całkowitego zatrzymania obrotów należy pilnować narzędzia.
- **Akumulatora nie należy ładować na deszczu i miejscach wilgotnych.**
- **W urządzeniu należy używać wyłącznie ładowarek i akumulatorów wymienionych poniżej:**

AKUMULATOR	ŁADOWARKA
BA1120E, BA2240E, BA2800	CH2100E CH5500E
- **Przed utylizacją akumulator należy wyjąć z urządzenia.**
- **Akumulatorów nie należy wrzucać do ognia.** Ognia mogą wybuchnąć. Należy zapoznać się z przepisami lokalnymi pod kątem ewentualnych instrukcji w sprawie ich utylizacji.
- **Akumulatora nie należy otwierać ani uszkadzać.** Uwolniony elektrolit jest żrący i może uszkodzić oczy i skórę. W przypadku połknięcia może być toksyczny.
- **Z akumulatorami należy obchodzić się ostrożnie.** Należy uważać, aby nie zewrzeć wyprowadzeń materiałami przewodzącymi takimi jak pierścienki, bransoletki i klucze. Akumulator lub przewodnik mogą się przegrzać i spowodować oparzenia.

- **Części zamienne** - Podczas serwisowania należy używać wyłącznie części zamiennych EGO identycznych z oryginalnymi. Użycie jakichkolwiek innych akcesoriów lub elementów dodatkowych zwiększa ryzyko urazów.
- **Narzędzia akumulatorowe nie wymagają podłączenia do kontaktu elektrycznego i dlatego są zawsze gotowe do pracy. Należy więc mieć świadomość możliwych zagrożeń, występujących nawet wtedy, gdy narzędzie nie jest używane.** Podczas wykonywania czynności konserwacyjnych lub serwisowych należy zachować ostrożność.
- **Przed serwisowaniem, konserwacją, czyszczeniem lub usuwaniem materiału zakleszczonego w kosie do zarośli należy wyjąć lub odłączyć akumulator.**
- **Nie należy czyścić urządzenia wężem; należy unikać zachlapywania wodą silnika i połączeń elektrycznych.**
- **W sytuacjach, które nie zostały przewidziane w niniejszej instrukcji należy zachować ostrożność i kierować się własnym zdrowym rozsądkiem. W celu uzyskania pomocy prosimy skontaktować się z centrum obsługi klienta EGO.**
- **Prosimy zachować instrukcję.** Zachęcamy do częstego korzystania z niej. Instrukcja może też posłużyć do przeszkolenia innych osób, które będą używały narzędzia. Jeśli narzędzie zostanie komuś pożyczone, osobie tej należy również udostępnić niniejszą instrukcję, aby zapobiec niewłaściwemu użytkowaniu i możliwym urazom.
- Powyższe parametry są testowane i mierzone na głowicy uniwersalnej PH1400E.
- Deklarowana całkowita wartość drgań została zmierzona zgodnie ze standardowymi metodami testowania i może służyć do porównywania różnych narzędzi.
- Deklarowana całkowita wartość drgań może również służyć do wstępnej oceny narażenia na drgania.

UWAGA: W zależności od sposobu eksploatacji, emisja wibracji podczas faktycznego użytkowania elektronarzędzia może się różnić od wartości deklarowanej. Aby chronić operatora, w rzeczywistych warunkach użytkowania użytkownik powinien nosić rękawice i nasłucharki ochronne.

Zalecane ostrze

NAZWA CZĘŚCI	NUMER MODELU
Ostrze kosy do zarośli	ABB1203

LISTA ELEMENTÓW W OPAKOWANIU

NAZWA CZĘŚCI	ILOŚĆ
Końcówka kosa do zarośli	1
Zestaw ostrze i osłona na ostrze	1
Oslona	1
Oslona – osprzęt dodatkowy (do używania TYLKO z głowicą podkaszarki)	1
Klucz imbusowy	1
Klucz wielofunkcyjny	1
Instrukcja operatora	1

PL

UWAGA: DODATKOWE, SZCZEGÓŁOWE ZASADY BEZPIECZEŃSTWA PODANO W INSTRUKCJI OPERATORA GŁOWICY UNIWERSALNEJ.

SPECYFIKACJA

Szerokość koszenia	30 cm	
Prędkość bez obciążenia	5000/6000 min ⁻¹	
Waga (bez akumulatora)	1,82 kg	
Zmierzony poziom mocy akustycznej L _{WA}	96,5 dB(A) K=1,88 dB(A)	
Poziom ciśnienia akustycznego przy uchu operatora L _{PA}	84,5 dB(A) K=3 dB(A)	
Gwarantowany poziom mocy akustycznej L _{WA} (zmierzony zgodnie z dyrektywą 2000/14/WE)	98 dB(A)	
Drgania a _h	Przedni uchwyt pomocniczy	2,8 m/s ² k=1,6 m/s ²
	Uchwyt tylny	3,1 m/s ² k=1,6 m/s ²

OPIS

POZNAJ SWOJĄ KOSE DO ZAROŚLI (Rys. A)

1. Zaślepka
2. Walek kosy do zarośli
3. Oslona
4. Ostrze
5. Pokrowiec na ostrze
6. Druk zaciśkowy
7. Śruba uszczelniająca
8. Obudowa przekładni
9. Otwór na walek blokujący
10. Kołnierzyk zewnętrzny
11. Klucz wielofunkcyjny
12. Klucz imbusowy
13. Oslona – osprzęt dodatkowy (do używania TYLKO z głowicą podkaszarki)

⚠ OSTRZEŻENIE: Nigdy nie należy włączać narzędzia bez mocno założonej osłony. Aby chronić użytkownika, osłona musi być zawsze założona na narzędzie!

⚠ OSTRZEŻENIE: Podczas używania narzędzia jako podkaszarki z głowicą tnącą, na osłonie należy zamontować osprzęt osłony. Nieprzestrzeganie tego zalecenia może skutkować nadmierną długością żyłki tnącej i przeciążeniem silnika.

MONTAŻ

⚠ OSTRZEŻENIE: W przypadku braku lub uszkodzenia którejś z części nie należy uruchamiać urządzenia aż do momentu wymiany lub naprawy części. Używanie urządzenia z uszkodzonymi lub brakującymi częściami może doprowadzić do poważnych urazów ciała.

⚠ OSTRZEŻENIE: Nie należy próbować przerabiać urządzenia lub tworzyć akcesoriów, które nie są zalecane do używania w podkaszarce. Wszelkie tego typu zmiany lub modyfikacje są niedozwolone i mogą prowadzić do niebezpiecznych sytuacji oraz poważnych urazów ciała.

⚠ OSTRZEŻENIE: Na czas mocowania lub zdejmowania ostrza lub osłony oraz podczas wykonywania przy ostrzu czynności konserwacyjnych należy zawsze zakładać solidne rękawice. Należy uważać na ostrze i chronić dłoń przed skaleczeniem ostrzem.

⚠ OSTRZEŻENIE: Przed całkowitym złożeniem urządzenia nie należy podłączać zasilania. Nieprzestrzeganie tego zalecenia może doprowadzić do przypadkowego włączenia się narzędzia, co może spowodować poważne urazy ciała.

UWAGA: Prawidłowa kolejność montażu końcówki kosa do zarośli to najpierw założenie osłony, następnie ostrza i na koniec zamocowanie do głowicy uniwersalnej.

⚠ OSTRZEŻENIE: Nigdy nie należy włączać narzędzia bez osłony i bez założonego przedniego uchwytu pomocniczego z pałąkiem odgradzającym. Nieprzestrzeganie tego zalecenia może doprowadzić do poważnych obrażeń ciała.

MONTAŻ OSŁONY

1. Podnieść głowicę kosi do zarośli i skierować ją w dół; dopasować do siebie dwa otwory montażowe w osłonie z dwiema śrubami zamontowanymi w płycie montażowej. Upewnić się, że powierzchnia wewnętrzna osłony jest skierowana w stronę głowicy kosi do zarośli (Rys. C).

2. Zamocować osłonę na miejscu śrubami – użyć dostarczonego klucza imbusowego (Rys. D).

MONTAŻ OSTRZA

1. Ostrze jest dostarczane w osłonie. Przed zamontowaniem ostrza w kosie do zarośli należy zdjąć osłonę – zdjąć drut zaciskowy z haka na osłonie (Rys. E).

Rys. E opis części patrz poniżej:

E-1	Hak
E-2	Drut zaciskowy

2. Obrócić kolnierz zewnętrzny tak, aby otwór w kolnierzu wewnętrznym dopasować do otworu na wałek blokujący w obudowie przekładni (Rys. F).
3. Przełożyć klucz imbusowy przez obydwa otwory – klucz będzie pełnił rolę stabilizatora (Rys. G).

Rys. F i G – opis części patrz poniżej:

F-1	Obudowa przekładni	F-3	Kolnierz zewnętrzny
F-2	Dopasowane do siebie otwory na wałek blokujący	G-1	Stabilizator

4. Położyć i oprzeć głowicę kosi do zarośli na solidnej powierzchni. Jedną ręką chwycić wałek kosi do zarośli, a drugą dostarczonym w zestawie kluczem wielofunkcyjnym odkręcić nakrętkę w kierunku zaznaczonym strzałką na kolnierzu zewnętrznym. Zdjąć nakrętkę i zdjąć kolnierz zewnętrzny. Zachować je do ponownego montażu (Rys. H).
5. Zamocować ostrze na wałku silnika, dopilnować, aby powierzchnia ostrza znalazła się na jednej wysokości z powierzchnią wyrzuczenia kolnierza wewnętrznego. Założyć następnie kolnierz zewnętrzny i nakrętkę (Rys. I). Wstępnie dokręcić nakrętkę ręką **W LEWO (PRZECIWNIE DO KIERUNKU RUCHU WSKAZÓWEK ZEGARA)**.

Rys. I i H opis części patrz poniżej:

I-1	Wyrzuczenie kolnierza wewnętrznego	I-4	Kolnierz zewnętrzny
I-2	Wałek silnika	I-5	Ostrze
I-3	Nakrętka		

6. Obrócić kolnierz zewnętrzny tak, aby otwór w kolnierzu wewnętrznym dopasować do otworu na wałek blokujący w obudowie przekładni i przełożyć klucz imbusowy przez obydwa otwory, aby pełnił rolę stabilizatora, tak jak poprzednio w krokach 2 i 3.
7. Położyć i oprzeć głowicę kosi do zarośli na solidnej powierzchni. Jedną ręką chwycić ostrze, a drugą dostarczonym w zestawie kluczem wielofunkcyjnym dokręcić nakrętkę w kierunku odwrotnym do zaznaczonego strzałką na kolnierzu zewnętrznym (Rys. J).

PL

Używanie osprzętu osłony

UWAGA: Podczas używania narzędzia jako podkaszarki z głowicą tnącą, na osłonie musi być zamontowany osprzęt osłony (Rys. K).

Zamocować osprzęt osłony na osłonie – dokręcić trzy śruby dostarczonym kluczem imbusowym. Nieprzestrzeżenie tego zalecenia może skutkować nadmierną długością żyłki tnącej i przeciążeniem silnika.

PODŁĄCZANIE KOŃCÓWKI KOSA DO ZAROŚLI DO GŁOWICY UNIWERSALNEJ

Ta końcówka kosa do zarośli została zaprojektowana do używania z głowicą uniwersalną EGO model PH1400E.

Więcej informacji – patrz część „ZAKŁADANIE KOŃCÓWKI NA GŁOWICĘ UNIWERSALNĄ” w instrukcji do głowicy uniwersalnej PH1400E.

UŻYTKOWANIE

⚠ OSTRZEŻENIE: Nie wolno dopuścić do tego, aby znajomość narzędzia doprowadziła do nieuwagi. Należy pamiętać, że do spowodowania poważnych obrażeń wystarczy zaledwie chwila nieuwagi.

⚠ OSTRZEŻENIE: Należy zawsze nosić okulary ochronne z osłonami bocznymi. Ponadto należy też nosić nauszniki ochronne. Nieprzestrzeżenie tego zalecenia może doprowadzić do poważnych obrażeń oczu odłamkiem lub skrawkiem materiału wyrzucenym przez pracujące narzędzie, a także grozi innymi możliwymi urazami.

ZASTOSOWANIA

Urządzenia można używać wyłącznie do celów podanych poniżej:

- Koszenie trawy, chwastów, zarośli i chaszczki, przeredzanie młodych kęp pędów o maksymalnej średnicy pnia 2 cm.

UWAGA: Narzędzia należy używać tylko do celów zgodnych z przeznaczeniem. Wszelkie inne zastosowania uznaje się za niezgodne z przeznaczeniem.

UŻYWANIE KOSY DO ZAROŚLI ZAŁOŻONEJ NA GŁOWICĘ UNIWERSALNĄ

⚠ OSTRZEŻENIE: Aby ograniczyć ryzyko obrażeń, podczas pracy narzędziem należy nosić odpowiednią odzież. Nie należy nosić luźnych ubrań ani biżuterii. Należy nosić środki ochrony oczu i ochronniki słuchu. Należy nosić ciężkie długie spodnie, solidne buty i rękawice. Nie należy nosić krótkich spodni lub sandałów ani używać narzędzia na bosą.

Aby bezpieczniej i lepiej pracować narzędziem, należy przelożyć przez ramię pasek na ramię. Pasek wyregulować w taki sposób, aby zagwarantować wygodną pozycję pracy. Kosę do zarośli należy trzymać jedną ręką na uchwycie tylnym, a drugą na przednim uchwycie pomocniczym. Podczas pracy narzędziem należy mocno trzymać uchwyty obiema rękoma. Kosę do zarośli należy trzymać wygodnie z tylnym uchwytem znajdującym się mniej więcej na wysokości bioder. Zawsze należy dbać o utrzymanie równowagi na obu nogach i o dobrą przyczepność.

Należy przyjąć taką pozycję, aby nie stracił równowagi i nie dać się zbić z nóg siłami odbicia ostrza tnącego (Rys. B).

⚠ OSTRZEŻENIE: Pasek na ramię jest także mechanizmem szybkiego odzepiania w niebezpiecznych sytuacjach. W sytuacji awaryjnej należy go natychmiast zdjąć z ramienia, niezależnie od sposobu założenia paska.

Aby przyciąć zarośla i chaszczki, należy opuścić kręcące się ostrze na zarośla i w ten sposób uzyskać efekt szatkowania. Kosy do zarośli należy używać tak jak zwykłej kosy (należy nią przemiatać w lewo i w prawo) na wysokości podłoża. Końcówki tnącej nie wolno nigdy używać powyżej pasa.

⚠ OSTRZEŻENIE: Im wyżej końcówka tnąca znajduje się nad ziemią, tym większe jest ryzyko urazów spowodowanych wyrzuceniem ściniek na boki.

⚠ OSTRZEŻENIE: Podczas ścinania młodych odrostów lub innych zdrewniałych pędów o średnicy do 2 cm należy używać lewej strony ostrza, aby nie dopuścić do sytuacji groźących odbiciem. Nie należy próbować zdrewniałych pędów o większej średnicy, ponieważ ostrze mogłoby zakleszczyć się lub szarpnąć kosą do przodu. Mogłoby to doprowadzić do uszkodzenia ostrza lub kosy lub spowodować utratę kontroli nad kosą, co w efekcie mogłoby doprowadzić do urazów.

⚠ OSTRZEŻENIE: Niewłaściwe używanie ostrza kosy do zarośli może doprowadzić do jego pęknięcia, wyszczerbienia lub zniszczenia.

Wyrzucone części mogą doprowadzić do ciężkich urazów operatora lub osób postronnych. Aby ograniczyć ryzyko obrażeń ciała, bardzo ważne jest podjęcie następujących środków ostrożności:

- Należy unikać kontaktu z twardymi przedmiotami lub ciałami stałymi takimi jak kamienie i kawałki skał lub metalu.
- Nigdy nie należy ciąć drewna o średnicy powyżej 2 cm.
- Ostrze kontrolować w regulacjach, krótkich odstępach czasu. Nie kontynuować pracy, gdy ostrze jest uszkodzone.

- Ostrze należy regularnie ostrzyć (gdy się wyraźnie stępi). W razie potrzeby należy je też wyważyć (czynność tę powinien wykonać wykwalifikowany technik serwisu).

ODBICIE OSTRZA

Podczas używania ostrza należy zachować maksymalną ostrożność. Odbicie jest reakcją, która może nastąpić, gdy kręcące się ostrze dotknie przedmiotu, którego nie jest w stanie przeciąć. Dotknięcie to może spowodować chwilowe zatrzymanie się ostrza i nagle „szarpnięcie” urządzenia w kierunku od uderzonego przedmiotu. Reakcja może być na tyle gwałtowna, że operator może utracić kontrolę nad narzędziem. Jeśli ostrze zaczepi się o coś, zablokuje się lub zaklinuje, do odbicia może dojść bez jakiegokolwiek ostrzeżenia. Odbicie ostrza zdarza się częściej w miejscach, w których trudno jest zobaczyć koszony materiał. Aby kosić łatwo i bezpiecznie, należy podchodzić do koszonych chwastów z kosą do zarośli przesuwaną się od prawej do lewej. W przypadku niespodziewanego natrafienia na jakiś przedmiot lub kawałek drewna, takie postępowanie ogranicza szarpnięcie ostrzem do minimum.

Przed każdym użyciem należy sprawdzić, czy jakieś części nie są uszkodzone/zużyte

Skontrolować ostrze, osłonę i przedni uchwyt pomocniczy oraz wymienić części pęknięte, wypaczone, skrzywione lub uszkodzone w jakikolwiek sposób.

Krawędź ostrza może się z czasem stępić. Zaleca się, aby odwracać ostrze w celu przedłużenia jego żywotności i okresowo je ostrzyć (czynność tę powinien wykonać wykwalifikowany serwisant). W razie potrzeby ostrze należy wymienić na nowe.

Czyszczenie kosi do zarośli po każdym użyciu

Instrukcje dotyczące czyszczenia – patrz część zatytułowana **KONSERWACJA**.

⚠ OSTRZEŻENIE: Przed czyszczeniem i serwisowaniem należy odczekać, aż ostrze całkowicie się zatrzyma. Nieprzestrzeganie tego zalecenia może doprowadzić do poważnych obrażeń ciała.

WŁĄCZANIE/WYŁĄCZANIE NARZĘDZIA

Więcej informacji – patrz część „**WŁĄCZANIE/WYŁĄCZANIE GŁÓWICY UNIWERSALNEJ**” w instrukcji do głowicy uniwersalnej PH1400E.

KONSERWACJA

⚠ OSTRZEŻENIE: Przed kontrolą, czyszczeniem lub serwisowaniem urządzenia należy wyłączyć silnik, odczekać aż wszystkie poruszające części zatrzymają się i wyjąć akumulator. Niezastosowanie się do powyższych instrukcji może doprowadzić do poważnych obrażeń ciała lub do uszkodzenia mienia.

⚠ OSTRZEŻENIE: Podczas serwisowania należy używać wyłącznie części zamiennych identycznych z oryginalnymi. Używanie jakichkolwiek innych części stwarza ryzyko i może spowodować usterkę produktu. Aby zagwarantować bezpieczeństwo i niezawodność, wszystkie naprawy powinny być wykonywane przez wykwalifikowanych techników serwisu.

⚠ OSTRZEŻENIE: Na czas mocowania lub zdejmowania ostrza oraz podczas wykonywania przy ostrzu czynności konserwacyjnych należy zawsze zakładać solidne rękawice. Należy uważać na ostrze i chronić dłonie przed skałeczeniem ostrzem.

KONSERWACJA OGÓLNA

Podczas czyszczenia części plastikowych należy unikać używania rozpuszczalników. Pod wpływem kontaktu z różnego rodzaju rozpuszczalnikami dostępnymi w handlu większość tworzyw może ulec uszkodzeniu. Do usuwania zabrudzeń, kurzu, oleju, smaru itp. należy używać czystych ściereczek.

CZYSZCZENIE URZĄDZENIA

- Wyjąć akumulator.
- Po każdym użyciu usunąć miękką szczoteczką zanieczyszczenia, ziemię lub trawę zapychające ostrze i jego osłonę.
- Powierzchnię narzędzia przetrzeć czystą szmatką zwilżoną roztworem mydła.
- Do czyszczenia otworów wentylacyjnych z tylnej części obudowy używać małej szczoteczki lub małego odkurzacza.
- Dbać o to, aby otwory wentylacyjne były drożne

Gdy ostrze się stępi i obie jego krawędzie są tępe, należy oddać ostrze wykwalifikowanemu serwisantowi do naostrezenia. W razie potrzeby ostrze należy wymienić na nowe.

WYMIANA OSTRZA

⚠ OSTRZEŻENIE: Zużyte, spękane lub uszkodzone ostrze może się rozpaść na kawałki, a części uszkodzonego ostrza mogą się zmienić w niebezpieczne pociski. Wyrzucone przedmioty mogą spowodować poważne obrażenia. Należy regularnie kontrolować ostrze i nie używać kosi do zarośli ze zużytym lub uszkodzonym ostrzem.

⚠ OSTRZEŻENIE: Podczas zdejmowania, ostrzenia i zakładania ostrza należy używać odpowiednich środków ochrony oczu.

Zdejmowanie ostrza

1. Wyjąć akumulator.
2. Obrócić kołnierz zewnętrzny tak, aby otwór w kołnierzu wewnętrznym dopasować do otworu na wałek blokujący w obudowie przekładni i przłożyć klucz imbusowy przez obydwa otwory, aby pełnił rolę stabilizatora, tak jak w krokach 2 i 3 w części „MONTAŻ OSTRZA”.
3. Położyć i oprzeć głowicę kosi do zarośli na solidnej powierzchni. Jedną ręką chwycić ostrze, a drugą dostarczonym w zestawie kluczem wielofunkcyjnym odkręcić nakrętkę w kierunku zaznaczonym strzałką na kołnierzu zewnętrznym. Zdjąć nakrętkę, kołnierz zewnętrzny i zużyte ostrze (Rys. L).
4. Sprawdzić i wymienić kołnierz wewnętrzny i pokrywę kołnierza, o ile są zużyte (Rys. M).

Rys. M opis części patrz poniżej:

M-1	Wałek silnika	M-5	Kołnierz zewnętrzny
M-2	Kołnierz wewnętrzny	M-6	Nakrętka
M-3	Pokrywa kołnierza	M-7	Szczelina w kołnierzu
M-4	Ostrze		

PL

5. Zainstalować nowe ostrze na wałku silnika w kolejności pokazanej na Rys. M. Szczegóły – postępować zgodnie z instrukcjami podanymi w krokach 5, 6 i 7 w części „MONTAŻ OSTRZA”.

SMAROWANIE PRZEKŁADNI TRANSMISYJNEJ

Przekładnia transmisyjna wymaga okresowego smarowania smarem do przekładni. Co 50 godzin pracy, należy kontrolować stan smaru w obudowie przekładni: w tym celu należy zdjąć śrubę uszczelniającą z boku obudowy.

Jeśli po bokach przekładni nie widać w ogół smaru, należy wykonać kroki podane poniżej w celu napełnienia obudowy smarem do 3/4 pojemności.

Przekładni transmisyjnej nie należy całkowicie napełniać.

1. Przytrzymać kosę do zarośli tak, aby śruba uszczelniająca była skierowana do góry (Rys. N).
2. Kluczem wielofunkcyjnym odkręcić i zdjąć śrubę uszczelniającą.
3. Użyć strzykawki olejowej (do dokupienia osobno), aby wstrzyknąć odrobinę smaru w otwór na śrubę.
4. Po wstrzyknięciu smaru dokręcić śrubę uszczelniającą.

PRZECHOWYWANIE URZĄDZENIA

- Wyjąć akumulator z narzędzia.
- Aby móc dokładnie wyczyścić urządzenie należy nosić mocne rękawice.
- Aby bezpiecznie przechowywać ostrze, należy na nie założyć osłonę (Rys. O).
- Zdjąć końcówkę-kosę o zarośli z głowicy uniwersalnej i w razie potrzeby założyć zaślepkę na wałek końcówki.
- Urządzenie należy przechowywać w suchym i przewiewnym miejscu niedostępnym dla dzieci: albo pod kluczem, albo wystarczająco wysoko. Urządzenia nie należy używać na nawozach lub w ich pobliżu, to samo dotyczy podłoży zanieczyszczonych benzyną i substancjami chemicznymi.

Ochrona środowiska



Urządzeń elektrycznych, ładowarki do akumulatorów oraz akumulatorów/baterii akumulatorowych nie należy wyrzucać do zwykłych zmieszanych śmieci domowych!

Zgodnie z dyrektywami Wspólnoty Europejskiej, odpowiednio nr 2012/19/WE i 2006/66/WE, urządzenia elektryczne i elektroniczne nienadające się dłużej do użycia oraz uszkodzone lub zużyte akumulatory/baterie trzeba zbierać oddzielnie.

Wyrzucanie urządzeń elektrycznych na wysypisko grozi wyciekami niebezpiecznych substancji do wód gruntowych i przedostaniem się ich do łańcucha pokarmowego, ze szkodą dla zdrowia i jakości życia użytkownika.

DEKLARACJA ZGODNOŚCI WE

Producent, EGO EUROPE GMBH

Wahlwiesenstrasse 1, D-71711 Steinheim an der Murr
Deutschland

Oświadczam, że produkt: **beprzewodowa końcówka kosa do zarośli BCA1200 z akumulatorem litowo-jonowym 56 V**, wyposażona w głowicę uniwersalną PH1400E.

Spełnia istotne wymagania BHP oraz wymogi wprowadzone następującymi dyrektywami:

2006/42/WE, 2014/30/UE, 2011/65/UE, 2000/14/WE

Normy i specyfikacje techniczne, do których występują odwołania:

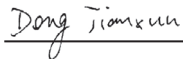
EN ISO 11806-1, EN 60745-1, EN 55014-1, EN 55014-2

Zmierzony poziom mocy akustycznej: 96,5 dB(A)

Gwarantowany poziom mocy akustycznej: 98 dB(A)



Peter Melrose
Dyrektor zarządzający
EGO Europe GmbH



Dong Jianxun
Dyrektor ds. Jakości w Chevron

*(upoważniony przedstawiciel CHEVRON i kierownik ds. technicznych)

01/12/2016

PL

ROZWIĄZYWANIE PROBLEMÓW

PROBLEM	PRZYCZYNA	ROZWIĄZANIE
Kosa do zarośli nie włącza się.	<ul style="list-style-type: none"> ■ Akumulator nie jest podłączony do głowicy. ■ Głowica uniwersalna i akumulator nie kontaktują. ■ Akumulator jest rozładowany. ■ Dźwignia odblokowująca i przełącznik spustowy nie zostały wciśnięte jednocześnie. 	<ul style="list-style-type: none"> ■ Włożyć akumulator do głowicy. ■ Wyjąć akumulator, sprawdzić styki i założyć akumulator z powrotem aż do oporu. ■ Naładować akumulator jedną z ładowarek EGO podanych w niniejszym podręczniku. ■ Aby włączyć kosę do zarośli, wcisnąć i przytrzymać dźwignię odblokowującą, a następnie nacisnąć przełącznik spustowy.
Kosa do zarośli wyłącza się podczas koszenia.	<ul style="list-style-type: none"> ■ Silnik jest przeciążony. ■ Akumulator lub głowica są zbyt gorące. ■ Akumulator jest odłączony od narzędzia. ■ Akumulator jest rozładowany. 	<ul style="list-style-type: none"> ■ Gdy tylko obciążenie zostanie usunięte, silnik wznowi pracę. Do pracy ciągłej należy zmniejszyć obciążenie głowicy uniwersalnej. ■ Pozwolić, aby akumulator lub głowica ostygły do temperatury poniżej 67°C (152°F). ■ Ponownie założyć akumulator. ■ Naładować akumulator jedną z ładowarek EGO podanych w niniejszym podręczniku.

PL

GWARANCJA

POLITYKA GWARANCYJNA EGO

W celu zapoznania się z wszystkimi warunkami polityki gwarancyjnej EGO prosimy odwiedzić stronę egopowerplus.com.

PŘEČTĚTE SI VŠECHNY POKYNY!



PŘEČTĚTE SI NÁVOD K OBSLUZE

⚠ Zbytkové riziko! Lidé s elektronickými přístroji, jako jsou např. kardiostimulátory, by se měli před použitím toho výrobku poradit se svým lékařem. Použití elektrického zařízení v těsné blízkosti kardiostimulátoru může způsobit narušení činnosti nebo poruchu kardiostimulátoru.

⚠ VAROVÁNÍ: Z důvodu bezpečnosti by měl všechny opravy a výměny provádět kvalifikovaný servisní technik.

BEZPEČNOSTNÍ SYMBOLY

Účelem bezpečnostních symbolů je upoutat vaši pozornost k případným nebezpečím. Bezpečnostní symboly a jejich vysvětlení vyžadují vaši zvýšenou pozornost a porozumění. Výstražné symboly samy o sobě nevylučují žádné nebezpečí. Pokyny a varování nejsou náhradou vhodných opatření pro prevenci úrazů.

⚠ VAROVÁNÍ: Před použitím tohoto nástroje si přečtěte a seznamte se se všemi bezpečnostními pokyny v tomto návodu k obsluze včetně veškerých výstražných symbolů, jako např. „**NEBEZPEČÍ**“, „**VAROVÁNÍ**“ nebo „**UPOZORNĚNÍ**“. Nedodržení níže uvedených pokynů může mít za následek úraz elektrickým proudem, požár nebo vážná poranění osob.

VÝZNAM SYMBOLŮ

⚠ BEZPEČNOSTNÍ VÝSTRAŽNÉ SYMBOLY:

Upozorňují na **NEBEZPEČÍ**, **VAROVÁNÍ**, nebo **UPOZORNĚNÍ**. Lze je používat ve spojení s jinými symboly nebo piktogramy.



⚠ UPOZORNĚNÍ: Při použití elektrického nářadí může dojít k vyvrstvení cizích těles do očí, což může způsobit jejich závažné poškození. Před použitím elektrického nářadí si vždy nasadte ochranné brýle, ochranné brýle s bočními kryty nebo v případě potřeby ochranné brýle s bočními kryty doporučíme použít ochrannou masku.

BEZPEČNOSTNÍ POKYNY

Na této stránce jsou zobrazeny a popsány bezpečnostní symboly, které se mohou objevit na výrobku. Před montáží a provozem si přečtěte, seznámte se a dodržujte veškeré pokyny ke stroji.

	Bezpečnostní upozornění	Upozorňuje na možné riziko úrazu.
	Přečtěte si návod k obsluze	Z důvodu snížení rizika úrazu si musí uživatel před použitím tohoto výrobku přečíst a seznámit se s návodem k obsluze.
	Používejte ochranu očí	Vždy noste ochranné brýle, ochranné brýle s bočními kryty nebo obličejový štít při použití tohoto výrobku.
	Používejte chrániče sluchu	Hluk z tyčové pily může poškodit váš sluch. Vždy používejte ochranu sluchu (špunty do uší nebo sluchátka), která chrání váš sluch.
	Používejte ochranu hlavy	K ochraně hlavy používejte schválenou pevnou ochrannou přilbu.
	Používejte ochranné rukavice	Při manipulaci s řetězovou pilou chraňte ruce rukavicemi. Odolné protiskluzové rukavice zlepšují váš úchop a chrání ruce.
	Používejte ochrannou obuv.	Při použití tohoto zařízení noste protiskluzovou bezpečnostní obuv.
	Šířka sekání	Max. šířka sekání křovinořezu
	Dejte si pozor na zpětný ráz	Upozorněte obsluhu na nebezpečí zpětného rázu.

CZ

	Odras	Vržené objekty se mohou odrazit a mít za následek zranění osob nebo poškození majetku.
	Udržujte ostatní osoby v bezpečné vzdálenosti	Když křovinořez používáte, udržujte od ostatních osob a domácích zvířat bezpečnou vzdálenost aspoň 15 m.
	Bez kulaté čepele	Neinstalujte kulaté řezací čepele.
	Nevystavujte ji dešti.	Nepoužívejte ani nenechávejte venku v dešti.
	CE	Tento výrobek je v souladu s platnými směnicemi ES.
	WEEE	Odpadní elektrické výrobky se nesmí likvidovat s domovním odpadem. Odevzdejte do autorizovaného recyklačního střediska.
	Hlučnost	Garantovaná hladina akustického výkonu. Emise hluku do prostředí dle direktivy Evropského společenství.
V	Voltů	Napětí
mm	Milimetr	Délka nebo velikost
cm	Centimetr	Délka nebo velikost
in.	Palec	Délka nebo velikost
kg	Kilogram	Hmotnost nůžek

CZ

DŮLEŽITÉ BEZPEČNOSTNÍ POKYNY

VAROVÁNÍ: Při používání strunových sekaček je nutné vždy dodržovat základní bezpečnostní opatření pro zamezení rizika požáru, úrazu elektrickým proudem a poranění osob včetně následujícího.

ČTĚTE PEČLIVĚ PŘED POUŽITÍM

USCHOVEJTE PRO BUDOUCÍ POUŽITÍ

NEBEZPEČÍ: Nespoléhejte se na izolaci nářadí proti úrazu elektrickým proudem. Chcete-li snížit riziko usmrcení elektrickým proudem, nikdy stroj nepoužívejte v blízkosti žádných vodičů nebo kabelů (napájecích atd.), které mohou vést elektrinu.

UPOZORNĚNÍ: Při práci používejte vhodné chrániče sluchu. Za určitých podmínek a určité době používání může hluk z tohoto výrobku přispět ke ztrátě sluchu.

ŠKOLENÍ

- Pečlivě si přečtěte tyto pokyny. Seznamte se s ovládacími prvky a správným použitím stroje.
- Osoby, které se neseznámily s těmito pokyny, nebo děti nesmí stroj používat. Místní předpisy mohou omezovat věk obsluhy.
- Nezapomínejte, že je obsluha nebo uživatel zodpovědný za nehody nebo ohrožení jiných osob nebo jejich majetku.

PŘÍPRAVA

- Stroj nikdy nepoužívejte, pokud jsou v blízkosti osoby, zejména děti, nebo domácí zvířata.
- Při práci se strojem vždy používejte ochranu očí a noste pevnou obuv.
- Vzdálenost mezi stroje a ostatními osobami nesmí být kratší než 15 m.

POUŽITÍ

- Stroj používejte pouze za denního světla nebo při dobrém umělém osvětlení.
- Nikdy stroj nepoužívejte, pokud jsou poškozené kryty nebo štíty, nebo když nejsou instalované.
- Motor zapněte pouze v případě, že jsou ruce a nohy v bezpečné vzdálenosti od řezacího nástroje.
- Stroj vždy odpojte z elektrické sítě (tj. odpojte zástrčku ze zásuvky, nebo vyjměte blokovací zařízení):
 - kdykoliv je stroj bez dozoru;
 - před odstraněním překážky;
 - před kontrolou, čištěním nebo prací na stroje;
 - po nárazu do cizího tělesa;
 - vždy, když začne stroj abnormálně vibrovat.
- Dávejte pozor na poranění nohou a rukou řezným nástrojem.
- Dbejte, aby větrací otvory byly vždy udržovány v čistotě.

ÚDRŽBA A SKLADOVÁNÍ

- Před provedením údržby nebo čištění stroj vždy odpojte z elektrické sítě (tj. odpojte zástrčku ze zásuvky, nebo vyjměte blokovací zařízení).
- Používejte pouze náhradní díly a příslušenství doporučené výrobcem.
- Pravidelně stroj kontrolujte a udržujte. Opravu stroje svěťte pouze autorizovanému opraváři.
- Pokud se nepoužívá, skladujte stroj mimo dosah dětí.

DALŠÍ BEZPEČNOSTNÍ VAROVÁNÍ

- **Udržujte děti v bezpečné vzdálenosti** – Všichni návštěvníci musí dodržovat bezpečnou vzdálenost nejméně 15 m od pracoviště.
- **Vyhnete se nebezpečnému prostředí** – nepoužívejte sekačky ve vlhkém nebo mokřém prostředí.
- **Pokud je zůstává křovinořez bez dozoru, vždy ho vypněte nebo vyjměte akumulátor.**
- **Nepoužívejte ji v dešti.**
- **Vhodně se oblékněte** – nenoste volný oděv ani šperky. Mohou se zachytit v pohyblivých částech. Při práci venku doporučujeme použít gumové rukavice a pevné boty. Noste ochrannou pokrývku hlavy, která zakryje dlouhé vlasy.
- **Používejte ochranné brýle** – vždy noste ochrannou masku nebo protiprachový respirátor, pokud je práce prašná.
- **Používejte správný stroj** – nepoužívejte sekačku k jiné práci, než ke které je určena.
- **Křovinořez nepřetěžujte** – Svou práci bude vykonávat lépe a s nižším rizikem úrazu v rámci parametrů, pro něž byla určena.
- **Buďte pozorní** – sledujte, co děláte. Buďte soudní. Nepoužívejte sekačku, pokud jste unavení.
- **S křovinořezem nepracujte pod vlivem alkoholu nebo jiných návykových látek.**
- **Buďte pozorní** – sledujte, co děláte. Buďte soudní. Nepoužívejte sekačku, pokud jste unavení.
- **Udržujte ruce a nohy v bezpečné vzdálenosti od řezacího prostoru.**
- **Křovinořez skladujte v interiéru** – Pokud křovinořez nepoužíváte, skladujte ho v interiéru na suchém, vyvěšeném nebo uzamčeném místě s vyjmutým akumulátorem – mimo dosah dětí.
- **Křovinořez pečlivě udržujte** – Řezací nástavec udržujte v čistotě pro co nelepší výkon a snížení rizika úrazu. Dodržujte pokyny pro výměnu příslušenství. Udržujte rukojeti suché, čisté, bez oleje a maziva.
- **Zkontrolujte poškozené díly** – Před dalším použitím křovinořezu je nutno každý poškozený kryt nebo část pečlivě zkontrolovat a určit, zda budou fungovat správně a plnit svoji zamýšlenou funkci. Zkontrolujte seřízení pohyblivých částí, spojení pohyblivých částí, poškození částí, sestavení a další podmičky, které mohou ovlivnit jeho provoz. Kryt nebo jiná poškozená část by se měly řádně opravit nebo vyměnit v autorizovaném servisním středisku, pokud není v tomto návodu uvedeno jinak.
- **Ujistěte se, že všechny spojovací prvky jsou na svém místě a jsou upevněny. Ujistěte se, že chránič řezného nástavce je řádně připojen a v poloze doporučené výrobcem.**
- **Před každým použitím m vyčistěte prostor, kde budete stříhat.** Odstraňte veškeré předměty, jako jsou např. kameny, rozbité sklo, hřebíky, dráty nebo provazy, které mohou být vrženy, nebo se mohou do žacího nástavce zaplést. Z prostoru vyžeňte děti, ostatní osoby a domácí zvířata. Děti, přihlížející osoby a domácí zvířata udržujte ve vzdálenosti 15 m (50 ft); i mimo 15 m (50 ft) pásma existuje stále nebezpečí poranění vymrštěnými předměty. Ostatním osobám doporučte použití ochrany očí.
- **Při práci křovinořez vždy držte pevně s oběma rukama na rukojetích. Prsty a palce obeptejte okolo rukojeti.**
- **Zabraňte neúmyslnému spuštění** – nepřenášejte křovinořez s prstem na spoušti.
- **Křovinořez nepoužívejte v hořlavém nebo výbušném prostředí.** Motory v těchto zařízeních produkují jiskru, která může zapálit výpar.
- **Poškození křovinořezu** – Pokud narazíte křovinořezem do cizího tělesa, nebo se zaplete, okamžitě křovinořez vypněte, vyjměte akumulátor, zkontrolujte, zda není poškozený a případně poškození opravte před dalším použitím. Nepoužívejte ho s poškozeným krytem nebo čepelí.
- **Pokud začne zařízení abnormálně vibrovat, zastavte motor a okamžitě vyhledejte příčinu.** Vibrace obvykle upozorňují na problém. Uvolněná čepel může vibrovat, prasknout, poškodit se, nebo odpadnout od křovinořezu, což může vést k vážnému nebo smrtelnému úrazu. Ujistěte se, že řezací nástavec je správně nainstalován a pevně připevněn. Pokud se čepel uvolní po upevnění v dané pozici, okamžitě ji vyměňte. Nikdy nepoužívejte křovinořez s uvolněným řezacím nástavcem.
- **Pro snížení rizika úrazu v důsledku ztráty kontroly nikdy nepracujte na žebříku nebo jiné nestabilní podpoře. Nikdy nedržte řezací nástavec nad úrovní pasu.**
- **Udržujte pevný postoj a rovnováhu.** Nepřeceňujte se. Udržujte řezací nástavec pod úrovní pasu. Udržujte všechny části těla v bezpečné vzdálenosti od řezacího nástavce.
- Prasklou, poškozenou nebo opotřebovanou čepel okamžitě vyměňte, i kdyby se jednalo pouze o povrchové praskliny. Tyto nástavce se mohou roztržít ve vysoké rychlosti a způsobit vážný nebo smrtelný úraz.
- Řezací nástavec kontrolujte v pravidelných intervalech při práci, nebo okamžitě v případě zjevné změny v chodu sekání.
- **Pokud se k vám někdo blíží, okamžitě vypněte motor a řezací nástavec. V případě čepelových nástrojů existuje větší riziko zranění osob v okolí zasažením pohybující se čepelí v případě zpětného tahu nebo jiné neočekávané reakce čepelce.**

- **Upozorněte obsluhu na nebezpečí zpětného rázu.**
 - Ke zpětnému rázu může dojít při kontaktu otáčejícího se ostří s objektem, který není okamžitě přeriznutý.
 - Zpětný ráz může být dost silný, aby způsobil pohyb přístroje a/nebo provozovatele v libovolném směru a může taky vést ke ztrátě kontroly nad přístrojem.
 - Ke zpětnému rázu může dojít bez varování, jestliže se čepel zadrhne, zastaví nebo zasekne.
 - Zpětný ráz je pravděpodobnější v oblastech, kde je obtížné vidět řezaný materiál.
- **Nepřipojujte žádnou čepel na přístroj bez řádné instalace všech potřebných dílů. Pokud se nepoužijí správné díly, může dojít k odletění čepele a vážnému poranění obsluhy a/nebo kolemjdoucích. Vyhodte čepele, které jsou ohnuté, zdeformované, popraskané, rozbité nebo jinak jakkoli poškozené. Používejte ostré čepele. Tupá čepel se dříve zadrhne a odskočí.**
- **Volnoběžná čepel může způsobit zranění, když se dále otáčí potom, co je motor zastaven nebo spouštěč uvolněn. Dodržujte řádnou kontrolu, dokud čepel zcela nezastaví svoje otáčení.**
- **Akumulátor nenabíjejte v dešti nebo na mokřém místě.**
- Používejte pouze následující akumulátory a nabíječky:

AKUMULÁTOR	NABÍJEČKA
BA1120E, BA2240E, BA2800	CH2100E CH5500E

CZ

- **Před likvidací vyjměte ze zařízení akumulátor.**
- **Akumulátory nevhazujte do ohně. Články mohou vybuchnout.** O zvláštních pokynech pro likvidaci se informujte v místních právních předpisech.
- **Akumulátor neotvírejte ani neznehodnocujte.** Uniklý elektrolyt je žíravý a může způsobit poškození očí nebo kůže. Při požití může být toxický.
- **Při manipulacích s akumulátory dbejte, aby nedošlo ke zkratu akumulátoru vodivými materiály, jako např. prsteny, náramky nebo klíče.** Akumulátor nebo vodič se mohou přehřát a způsobit popáleniny.
- **Náhradní díly** - Při opravách používejte pouze originální náhradní díly společnosti EGO. Použití jiného příslušenství nebo nástavců může zvýšit riziko úrazu.
- **Akumulátorové nářadí se nemusí zapojovat do elektrické zásuvky, proto jsou vždy v provozním stavu.** Nezapomínejte na možná rizika ani v případě, že je nářadí vypnuté. Dbejte opatrnosti při údržbě.
- **Před servisem, čištěním nebo odstraňováním materiálu z křovinořezu vyjměte nebo odpojte akumulátor.**

- **Nůžky nemyjte hadicí; dbejte, aby se do motoru a elektrických přípojek nedostala voda.**
- **Pokud nastane situace, která není popsána v tomto návodu, použijte pečlivý a zdravý úsudek. Obrátte se na zákaznické servisní středisko EGO se žádostí o pomoc.**
- **Tyto pokyny uschovejte pro budoucí použití.** Používejte je často a také k poučení dalších osob, které mohou toto nářadí používat. Pokud nářadí někomu půjčíte, půjčte mu také tento návod k obsluze, aby nedošlo k nesprávnému použití výrobků nebo případně k úrazu.

POZNÁMKA: VIZ NÁVOD PRO POHONNOU HLAVU PRO DODATEČNÁ BEZPEČNOSTNÍ PRAVIDLA.

SPECIFIKACE

Šířka sekání	30 cm	
Rychlost při chodu naprázdno	5000/6000 min ⁻¹	
Hmotnost nůžek (bez akumulátoru)	1,82 kg	
Měřená hladina akustického výkonu L _{WA}	96,5 dB(A) K=1,88 dB(A)	
Hladina akustického tlaku na sluch obsluhy L _{PA}	84,5 dB(A) K=3 dB(A)	
Zaručená úroveň akustického výkonu L _{WA} (měřeno podle směrnice 2000/14/ES)	98 dB(A)	
Vibrace a _h	Přední pomocná rukojeť	2,8 m/s ² k=1,6 m/s ²
	Zadní rukojeť	3,1 m/s ² k=1,6 m/s ²

- Výše uvedené parametry jsou testovány a měřeny s nástrojem vybaveným pohonnou hlavou PH1400E.
- Celková deklarovaná hodnota vibrací byla naměřena podle standardní zkušební metody a lze ji použít ke srovnání s jiným nářadím;
- Celkovou deklarovanou hodnotu vibrací lze použít také k předběžnému stanovení expozičních limitů.

POZNÁMKA: Emise vibrací při konkrétním použití elektrického nářadí se mohou lišit od deklarované hodnoty, při které se nářadí používá; z důvodu ochrany provozovatele by měl uživatel ve skutečných pracovních podmínkách nosit rukavice a chrániče sluchu.

Doporučená čepel

NÁZEV DÍLU	ČÍSLO MODELU
Čepel křovinořezu	ABB1203

OBSAH BALENÍ

NÁZEV DÍLU	MNOŽSTVÍ
Nástavec na křovinořez	1
Čepel a souprava čepelového pouzdra	1
Kryt	1
Příslušenství chrániče (použití pouze se strunovou hlavou)	1
Šestihranný klíč	1
Multifunkční klíč	1
Návod k obsluze	1

POPIS

SEZNAMTE SE S NÁSTAVCEM NA KŘOVINOŘEZ (obr. A)

- Koncovka
- Hřídel křovinořezu
- Kryt
- Čepel
- Pouzdro křovinořezu
- Upínací drát
- Těsnící šroub
- Převodová skříň
- Otvor pro zajištění hřídele
- Vnější příruba
- Multifunkční klíč
- Imbusový klíč
- Příslušenství chrániče (použití pouze se strunovou hlavou)

VAROVÁNÍ: Nářadí nikdy nepoužívejte bez řádně nainstalovaného chrániče. Chránič musí být vždy na nářadí z důvodu ochrany uživatele.

VAROVÁNÍ: Když je nástroj použit jako strunová sekačka, která je vybavena strunovou hlavou, musí být příslušenství chrániče namontováno na krytu. Nedodržení tohoto pokynu může mít za následek příliš dlouhou řeznou linii a přetížení motoru.

MONTÁŽ

VAROVÁNÍ: Pokud jsou některé díly poškozené, nebo chybí, nepoužívejte výrobek, dokud se díly nevymění. Použití tohoto výrobku s poškozenými nebo chybějícími díly může vést k vážnému úrazu.

VAROVÁNÍ: Nepokoušejte se výrobek upravovat ani vytvářet příslušenství, které se k této strunové sekačce nedoporučuje. Každá taková změna nebo úprava je nesprávná a může vést k nebezpečné situaci, která může zapříčinit vážný úraz.

VAROVÁNÍ: Vždy používejte pevné rukavice při instalaci nebo vyjímání čepel nebo krytu nebo provádění jakékoliv údržby na čepeli. Dávejte pozor na čepel a chraňte svoje ruce před poraněním čepelí.

VAROVÁNÍ: Nepřipojujte pohonnou hlavu před dokončením sestavení. Nedodržení tohoto pokynu může vést k náhodnému startu a možnému vážnému poranění.

POZNÁMKA: Správné pořadí montáže nástroje na křovinořez je: nejprve montáž chrániče, pak čepel a nakonec připojení k pohonné hlavě.

VAROVÁNÍ: Nikdy nepoužívejte nářadí bez ochranného krytu a přední pomocné rukojeti s bariérovou tyčí pevně uchycenou na svém místě. Nedodržení tohoto pokynu může vést k možnému vážnému poranění.

MONTÁŽ KRYTU

- Zvedněte křovinořez a přetočte ho hlavou dolů; srovnajte dva montážní otvory v krytu se dvěma šrouby, které jsou předmontovány na upevňovací desce. Dbejte, aby vnitřní povrch krytu směřoval k hlavě křovinořezu (obr. C).
- Zajistěte kryt na místě šrouby pomocí dodaného imbusového klíče (obr. D).

MONTÁŽ ČEPELE

- Čepel je dodávána s pouzdrém. Před montáží čepel na křovinořez sundejte pouzdro uvolněním upínacího drátu z háku na pouzdře (obr. E).

Obr. E, následuje popis dílů:

E-1	Hák
E-2	Upínací drát

- Otočte vnější přírubu a vyrovnejte štěrbinu ve vnitřní přírubě s otvorem pro zajištění hřídele v převodové skříni (obr. F).
- Vložte dodaný imbusový klíč do vyrovnaných otvorů jako stabilizátor (obr. G).

CZ

obr. F a G s popisem dílů:

F-1	Převodová skříň	F-3	Vnější příruba
F-2	Vyrovnané otvory pro zajištění hřídele	G-1	Stabilizátor

- Položte hlavu křovinořezu na pevnou podložku pro podporu. Jednou rukou uchopte hřídel křovinořezu a druhou rukou uchopte multifunkční klíč dodaný pro povolení matice ve směru šipky vyznačené na vnější přírubě a odstraňte matici a vnější přírubu. Uložte je pro opětovnou montáž (obr. H).
- Namontujte čepel na hřídel motoru tak, aby povrch čepele byl v jedné rovině s povrchem vyboulení vnitřní přírubby. Přejděte na montáž vnější přírubby a matice (obr. I). Utáhněte předběžně matici **PROTI SMĚRU** hodinových ručiček rukou.

Obr. I, následuje popis dílů:

I-1	Vyboulení vnitřní přírubby	I-4	Vnější příruba
I-2	Motorová hřídel	I-5	Čepel
I-3	Matice		

- Otáčejte vnější přírubu tak, abyste zarovnali štěrbinu ve vnitřní přírubě s otvorem pro zajištění hřídele v převodové skříni a vložte dodaný imbusový klíč do vyrovnaných otvorů, aby působil jako stabilizátor jako v předchozím znázorněném kroku 2 a 3.
- Položte hlavu křovinořezu na pevnou podložku pro podporu. Jednou rukou uchopte čepel a druhou rukou uchopte multifunkční klíč dodaný pro utažení matice proti směru šipky vyznačené na vnější přírubě (obr. J).

CZ

Použití příslušenství chrániče

POZNÁMKA: Když je nástroj použit jako strunová sekačka, která je vybavena strunovou hlavou, musí být příslušenství chrániče namontováno na krytu (obr. K).

Příslušenství chrániče připevněte na kryt utažením tří šroubů s dodaným imbusovým klíčem. Nedodržení tohoto pokynu může mít za následek příliš dlouhou řeznou linii a přetížení motoru.

PŘIPOJENÍ NÁSTAVCE PRO KŘOVINOŘEZ NA POHONNOU HLAVU

Tento nástavec pro křovinořez je určen pro použití s pohonnou hlavou EGO PH1400E.

Viz část „**INSTALACE NÁSTAVCE NA POHONNOU HLAVU**“ v příručce pro obsluhu pohonné hlavy PH1400E.

POUŽITÍ

VAROVÁNÍ: Dbejte, abyste se po seznámení s výrobkem nestali neopatrní. Nezapomínejte, že stačí chvíle nepozornosti a může se stát vážný úraz.

VAROVÁNÍ: Vždy používejte ochranu očí s bočními kryty. Spolu s chráničem sluchu. Pokud tak neučiníte, může dojít k vyvrstvení předmětu do očí, nebo případně jiným vážným úrazům.

APLIKACE

Výrobek lze použít k následujícím účelům:

- Řezání trávy, plevelu, divokého porostu a křovin, prořezávání mladých porostů s maximálním průměrem kmenu 2 cm.

POZNÁMKA: Náradí se smí používat pouze k vyhrazenému účelu. Jakékoliv jiné použití se považuje za nesprávné.

POUŽITÍ KŘOVINOŘEZU S POHONNOU HLAVOU

VAROVÁNÍ: Pro práci s tímto náradím se vhodně oblékněte, abyste snížili riziko úrazu. Nenoste volný oděv ani šperky. Používejte ochranu očí a chrániče sluchu. Noste odolné, dlouhé kalhoty, pevné boty a rukavice. Nenoste krátké kalhoty, sandály ani nechoďte bosí.

Pro bezpečnější a lepší používání si dejte ramenní popruh přes rameno. Upravte ramenní popruh do pohodlné pracovní polohy. Uchopte křovinořez jednou rukou za zadní rukojeť a druhou rukou za přední rukojeť. Udržujte pevný úchop oběma rukama při provozu. Křovinořez by se měl držet v pohodlné poloze se zadní rukojetí ve výšce kyčelního kloubu. Udržujte váš úchop a rovnováhu na obou nohách. Postavte se tak, abyste nebyli vyvedeni z rovnováhy při zpětném rázu řezné čepele (obr. B).

VAROVÁNÍ: Ramenní popruh je vybaven rychle vypínacím mechanismem pro nebezpečné situace. Dojde-li k nouzové situaci, okamžitě si odepněte popruh ze svého ramene bez ohledu na to, jakým způsobem je popruh připnutý.

Když chcete ořezat divoký porost a křoviny, snižte rotující čepel k porostu, aby se dosáhlo účinku sekání. Použijte křovinořez jako kosu (pojíždějte vpravo a vlevo) na úrovni terénu. Nedržte řezací nástavec nad úroveň pasu.

VAROVÁNÍ: Čím výše je řezací nástavec nad zemí, tím větší je riziko zranění z řízků vyvrstvených do stran.

VAROVÁNÍ: Při řezání mladých porostů nebo jiných dřevitých materiálů až do 2 cm v průměru použijte levou stranu čepele, aby se zabránilo situacím se zpětným rázem. Nepokoušejte se řezat dřevní hmoty s větším průměrem, protože se čepel může zachytit nebo šklbnout křovinořez dopředu. Mohlo by dojít k poškození čepele nebo křovinořezu nebo ke ztrátě kontroly nad křovinořezem, což vede ke zranění osob.

VAROVÁNÍ: Nesprávné použití čepel křovinořezu může vést k jejímu prasknutí, odštěpení nebo roztržení.

Vyvrstěné části mohou vážně poranit obsluhu či kolemjdoucího. Aby se snížilo riziko poranění osob, je nutné přijmout následující opatření:

- Vyhněte se kontaktu s tvrdými nebo cizími pevnými objekty, jako jsou kameny, skály nebo kusy kovu.
- Nikdy neřežte dřevo nebo keře s průměrem kmene více než 2 cm.
- Kontrolujte čepel v pravidelných krátkých intervalech, zda není poškozena. Nepokračujte v práci s poškozenou čepelí.
- Pravidelně bruste čepel (pokud se nápadně otupila) a mějte ji vyváženou v případě potřeby (provádí pouze kvalifikovaný servisní technik).

ZPĚTNÝ RÁZ ČEPELE

Budte velmi opatrní při použití čepel s tímto přístrojem. Zpětný ráz je reakce, která může nastat, když se otáčející čepel dostane do kontaktu s něčím, co nedokáže přefézet. Tento kontakt může způsobit, že čepel se na okamžik zastaví a následnou „odhodí“ přístroj do větší vzdálenosti od předmětu, který byl zasažen. Tato reakce může být dostatečně prudká, aby způsobila ztrátu kontroly obsluhy nad přístrojem. Ke zpětnému rázu může dojít bez varování, jestliže se čepel zadrhne, zastaví nebo zasekne. K tomu může častěji dojít v oblastech, kde je obtížné vidět řezaný materiál. Pro jednoduchost a bezpečnost řezání se přibližte k řezané pleveli s křovinořezem zprava doleva. V případě kontaktu s neočekávaným objektem nebo dřevěným špalkem by tato praxe mohla minimalizovat zpětný ráz čepel.

Před každým použitím zkontrolujte poškození/ opotřebené díly

Zkontrolujte čepel, kryt, přední pomocnou rukojeť a vyměřte díly, které jsou prasklé, zdeformované, ohnuté nebo jinak poškozené.

Hrana čepel se může otupit v průběhu času. Doporučujeme, abyste otáčeli čepel pro prodloužení její životnosti a pravidelně ji ostříte (provádí pouze kvalifikovaný servisní technik), nebo ji vyměňte za novou čepel v případě potřeby.

Vyčistěte křovinořez po každém použití

Viz část **ÚDRŽBA** pro pokyny k čištění.

VAROVÁNÍ: Před čištěním nebo údržbou křovinořezu se ujistěte, že došlo k úplnému zastavení čepel. Nedodržení tohoto pokynu může vést k možnému vážnému poranění.

ZAPNUTÍ/VYPNUTÍ NÁSTROJE

Viz část **ZAPNUTÍ/VYPNUTÍ POHONNÉ HLAVY*** v příručce pro obsluhu pohonné hlavy PH1400E.

ÚDRŽBA

VAROVÁNÍ: Před kontrolou, čištěním nebo údržbou přístroje zastavte motor, počkejte, až se všechny pohyblivé díly zastaví a vyjměte baterii. Nedodržení těchto instrukcí může vést k vážnému zranění nebo poškození majetku.

VAROVÁNÍ: Při opravách používejte pouze originální náhradní díly. Použití jiných dílů může být rizikem nebo způsobit poškození výrobku. Z důvodu bezpečnosti by měl všechny opravy provádět kvalifikovaný servisní technik.

VAROVÁNÍ: Vždy používejte pevné rukavice při instalaci nebo odstraňování čepel nebo provádění jakékoliv údržby na čepeli. Dávejte pozor na čepel a chraňte svoje ruce před poraněním čepelí.

CELKOVÁ ÚDRŽBA

K čištění plastových dílů nepoužívejte rozpouštědla. Většina plastů je náchylná k poškození různými typy komerčních rozpouštědel a jejich použití je může poškodit. K odstranění nečistot, prachu, oleje, maziva atd. použijte čistý hadr.

ČIŠTĚNÍ NÁŘADÍ

- Vyjměte akumulátor
- Po každém použití odstraňte měkkým kartáčkem suť, ucpanou zeminu nebo trávu na čepeli a chrániči.
- Otřete povrch přístroje čistým hadrem navlhčeným ve slabém mydlovém roztoku.
- K čištění větracích otvorů na zadní části pouzdra použijte malý kartáč nebo malý vysavač.
- Udržujte větrací otvory prosté překážek.

Když se čepel otupí (oba okraje čepel jsou tupé), nechte čepel zosťřit pouze u kvalifikovaného servisního technika, nebo vyměňte podle potřeby za novou čepel.

VÝMĚNA ČEPELE

VAROVÁNÍ: Opotřebená, prasklá nebo poškozená čepel se může zlomit a kousky poškozené čepel se mohou stát nebezpečnými projektily. Vyvrstěné předměty mohou způsobit vážný úraz. Čepel pravidelně kontrolujte a nepoužívejte křovinořez s opotřebenou nebo poškozenou čepelí.

VAROVÁNÍ: Používejte ochranu očí při demontáži, ostření a instalaci čepel.

Demontáž čepel

1. Vyjměte akumulátor.

- Otáčejte vnější přírubu tak, abyste zarovnali štěrbinu ve vnitřní přírubě s otvorem pro zajištění hřídele v převodové skříní a vložte dodaný imbusový klíč do vyrovnaných otvorů, aby působil jako stabilizátor jako v krocích 2 a 3 v části „MONTÁŽ ČEPELE“.
- Položte hlavu křovinořezu na pevnou podložku pro podporu. Jednou rukou uchopte čepel a druhou rukou uchopte multifunkční klíč dodaný pro povolení matice ve směru šipky vyznačené na vnější přírubě a odstraňte matici, vnější přírubu a opotřebenou čepel (obr. L).
- Zkontrolujte a vyměňte vnitřní přírubu a kryt příruby, jsou-li opotřebené (obr. M).

Opis částí na obr. M viz níže:

M-1	Motorová hřídel	M-5	Vnější příruba
M-2	Vnitřní příruba	M-6	Matice
M-3	Kryt příruby	M-7	Drážka v přírubě
M-4	Čepel		

- Nainstalujte novou čepel na hřídel motoru podle pořadí na obr. M. Podrobný postup je uveden v pokynech kroků 5, 6 a 7 v části „MONTÁŽ ČEPELE“.

MAZÁNÍ PŘEVODOVKY

Převody v převodové skříní se musí pravidelně mazat převodovkovým tukem. Zkontrolujte hladinu převodového maziva v převodovce přibližně každých 50 hodin provozu odstraněním těsnícího šroubu na boku skříně.

Pokud na bocích převodovky není vidět žádný tuk, postupujte podle pokynů pro naplnění převodovým mazivem až do 3/4 kapacity.

Nezaplníte zcela převody.

- Umístěte křovinořez tak, aby těsnící šroub směřoval nahoru (obr. N).
- Pomocí dodaného multifunkčního klíče povolte a odstraňte těsnící šroub.
- Použijte mazací stříkačku (není součástí dodávky) pro zavedení maziva do otvoru pro šroub.
- Po naplnění utáhněte těsnící šroub.

SKLADOVÁNÍ NÁŘADÍ

- Vyjměte akumulátor z přístroje.
- Použijte pevné rukavice pro důkladné vyčištění přístroje.
- Založte pouzdro čepele na čepel pro bezpečné uložení (obr. O).
- Sejměte nástavec pro křovinořez z pohonné hlavy a namontujte koncovku na hřídel nástavce, pokud je to nutné.
- Nářadí skladujte na suchém, dobře větraném, uzamčeném nebo vyvýšeném místě mimo dosah dětí. Nářadí neskladujte v blízkosti hnojiv, benzínu nebo jiných chemických látek.

Ochrana životního prostředí



Elektrické zařízení, nabíječku a baterie/ nabíjecí baterie nevhazujte do domovního odpadu!

Podle směrnice Evropského parlamentu a Rady 2012/19/EU se musí odpadní elektrická a elektronická zařízení a podle směrnice 2006/66/ES vadné nebo použité akumulátory/baterie sbírat odděleně.

Pokud se elektrická zařízení likvidují na zavážkách nebo skládkách, mohou do podzemní vody prosáknout nebezpečné látky, dostat se do potravního řetězce a poškodit tak vaše zdraví a zdravotní stav.

ES PROHLÁŠENÍ O SHODĚ



My, společnost EGO EUROPE GMBH

Wahlwiesenstrasse 1, D-71711 Steinheim an der Murr Deutschland

Prohlašujeme, že **56 V lithium-iontový akumulátorový nástavec křovinořezu BCA1200** vybavený pohonnou hlavou PH1400E

splňuje základní požadavky na ochranu zdraví a bezpečnost podle těchto směrnic:

2006/42/EC, 2014/30/EU, 2011/65/EU, 2000/14/EC

Uvedené normy a technické specifikace:

EN ISO 11806-1, EN 60745-1, EN 55014-1, EN 55014-2

Měřená hladina akustického výkonu: 96,5 dB(A).

Zaručená úroveň akustického výkonu: 98 dB(A).

Peter Melrose
Výkonný ředitel EGO
Europe GmbH

Dong Jianxun
Manažer kvality společnosti
Chervon

* (Pověřený zástupce společnosti CHERVON odpovědný za technickou dokumentaci)

01/12/2016

ODSTRAŇOVÁNÍ PROBLÉMŮ

PROBLÉM	PŘÍČINA	ŘEŠENÍ
Křovinořez se nespustí.	<ul style="list-style-type: none"> ■ Akumulátor není připojen k pohonné hlavě. ■ Bez elektrického kontaktu mezi pohonnou hlavou a akumulátorem. ■ Akumulátor je vybitý. ■ Páka pojistky a spoušť nejsou stisknuté současně. 	<ul style="list-style-type: none"> ■ Připojte akumulátor na pohonnou hlavou. ■ Vyměňte baterii, zkontrolujte kontakty a vložte akumulátor, dokud nezapadne na své místo. ■ Nabijte akumulátor pomocí nabíječek EGO, které jsou uvedeny v tomto návodu k obsluze. ■ Zatlačte páčku pojistky, podržte ji a stisknutím spouště zapnete křovinořez.
Při sekání se křovinořez zastaví.	<ul style="list-style-type: none"> ■ Motor je přetížen. ■ Akumulátor nebo pohonná hlava jsou příliš horké. ■ Akumulátor je odpojený od nářadí. ■ Akumulátor je vybitý. 	<ul style="list-style-type: none"> ■ Motor se zotaví po odstranění zátěže. Pro kontinuální práci snižte zatížení pohonné hlavy. ■ Nechejte akumulátor nebo pohonnou hlavu zchladnout, dokud teplota neklesne pod 67 °C. ■ Znovu nainstalujte akumulátor. ■ Nabijte akumulátor pomocí nabíječek EGO, které jsou uvedeny v tomto návodu k obsluze.

CZ

ZÁRUKA

ZÁRUKA SPOLEČNOSTI EGO

Úplné záruční podmínky společnosti EGO naleznete na webové stránce egopowerplus.com.

PREČÍTAJTE SI VŠETKY POKYNY!



PREČÍTAJTE SI NÁVOD NA OBSLUHU.

⚠ Potenciálne riziká! Ľudia s elektronickými zariadeniami, ako sú napríklad kardiostimulátory, sa musia pred použitím tohto výrobku poradiť so svojim lekárom. Použitie elektrických zariadení v tesnej blízkosti kardiostimulátora by mohlo spôsobiť rušenie alebo zlyhanie kardiostimulátora.

⚠ VAROVANIE: Pre zaistenie bezpečnosti a spoľahlivosti je nevyhnutné, aby všetky opravy a výmeny vykonával len kvalifikovaný servisný technik.

BEZPEČNOSTNÉ SYMBOLY

Účelom bezpečnostných symbolov je upozorniť vás na možné nebezpečenstvá. Venujte príslušnú pozornosť a pochopte bezpečnostné symboly a ich vysvetlenia. Varovné symboly, samy o sebe, nedokážu eliminovať nebezpečenstvo. Pokyny a varovania, ktoré obsahujú, nie sú náhradou za vhodné opatrenia na prevenciu úrazov.

⚠ VAROVANIE: Pred použitím tohto nástroja si prečítajte a pochopte všetky bezpečnostné pokyny v tomto návode na obsluhu, vrátane všetkých bezpečnostných výstražných symbolov, ako sú „**NEBEZPEČENSTVO**“, „**VAROVANIE**“ a „**UPOZORNENIE**“. Nedodržanie nižšie uvedených pokynov môže mať za následok úraz elektrickým prúdom, požiar a / alebo vážne zranenie.

SK

VÝZNAM SYMBOLU

⚠ BEZPEČNOSTNÝ VÝSTRAŽNÝ SYMBOL: Označuje **NEBEZPEČENSTVO**, **VAROVANIE**, alebo **UPOZORNENIE**. Môže byť použitý v spojení s inými symbolmi alebo piktogramami.



⚠ VAROVANIE: Prevádzka akéhokoľvek elektrického náradia môže viesť k vyrúšeniu cudzích predmetov do vašich očí, čo môže spôsobiť vážne poškodenie zraku. Skôr, ako začnete používať elektrické náradie, si vždy nasadte ochranné okuliare alebo ochranné okuliare s postrannými krytmi a prípadne celotvárový štít. Odporúčame použiť bezpečnostnú masku Wide Vision cez okuliare alebo štandardné bezpečnostné okuliare s postrannými krytmi.

BEZPEČNOSTNÉ POKYNY

Táto strana zobrazuje a popisuje bezpečnostné symboly, ktoré sa objavujú na tomto výrobku. Pred pokusom o zostavenie a prevádzkovanie si prečítajte, pochopte a dodržiavajte všetky pokyny na stroji.

	Bezpečnostné upozornenie	Upozorňuje na potenciálne nebezpečenstvo úrazu.
	Prečítajte si návod na obsluhu.	Ak chcete znížiť riziko zranenia, používateľ musí pred použitím tohto výrobku prečítať a pochopiť návod na obsluhu.
	Používajte ochranu zraku.	Pri práci s týmto výrobkom vždy noste ochranné okuliare alebo ochranné okuliare s postrannými krytmi a celotvárový štít.
	Používajte ochranu sluchu.	Hluk z tyčovej píly môže poškodiť váš sluch. Vždy používajte ochranu sluchu (špunty do uší alebo slúchadlá), ktoré chránia váš sluch.
	Používajte ochranu hlavy	Používajte schválenú bezpečnostnú prilbu na ochranu hlavy.
	Používajte ochranné rukavice	Pri manipulácii s pilou a reťazou si chráňte ruky rukavicami. Pevné a protišmykové rukavice zlepšujú uchopenie a chránia ruky.
	Používajte ochrannú obuv.	Pri používaní tohto zariadenia noste protišmykovú bezpečnostnú obuv.
	Rezná šírka	Max. rezná šírka krovinorezu
	Pozor na spätný ráz	Upozornenie obsluhu na nebezpečenstvo spätného rázu.

	Odras	Vyhodené objekty sa môžu odraziť a mať za následok zranenie osôb alebo poškodenie majetku.
	Udržiavajte okolostojace osoby v bezpečnej vzdialenosti.	Keď krovinnorez používate, udržiajte od ostatných osôb a domácich zvierat bezpečnú vzdialenosť aspoň 15 m.
	Bez okrúhlej čepele	Neinštalujte okrúhle rezacie čepele.
	Nevystavujte dažďu	Nepoužívajte ani nenechávajte vonku na daždi.
	CE	Tento výrobok je v súlade s platnými smernicami ES.
	WEEE	Nepotrebné elektrické výrobky sa nesmú likvidovať spolu s domovým odpadom. Odovzdajte do autorizovaného recyklačného strediska.
	Hlučnosť	Garantovaná hladina akustického výkonu. Emisie hluku do prostredia podľa smernice Európskeho spoločenstva.
V	Volt	Napätie
mm	Milimeter	Dĺžka alebo veľkosť
cm	Centimeter	Dĺžka alebo veľkosť
in.	Palec	Dĺžka alebo veľkosť
kg	Kilogram	Hmotnosť

DÔLEŽITÉ BEZPEČNOSTNÉ POKYNY

VAROVANIE: Pri používaní strunových kosačiek sa musia vždy dodržiavať základné bezpečnostné opatrenia pre zníženie rizika vzniku požiaru, úrazu elektrickým prúdom alebo poranenia osôb, vrátane nasledujúcich:

PRED POUŽITÍM SI POZORNE PREČÍTAJTE

ODLOŽTE SI PRE BUDÚCU POTREBU

NEBEZPEČENSTVO: Nespoliehajte sa izoláciu nástroja, ktorá má chrániť pred úrazom elektrickým prúdom. Ak chcete znížiť riziko úrazu elektrickým prúdom, nikdy nepoužívajte stroj v blízkosti akýchkoľvek drôtov alebo káblov (napájanie, atď.), ktoré môžu viesť elektrický prúd.

UPOZORNENIE: Počas používania používajte vhodné osobné prostriedky na ochranu sluchu. Za určitých podmienok a dlhšom použití môže hluk z tohto výrobku prispieť k poškodeniu sluchu.

ŠKOLENIE

- Prečítajte si pozorne tieto pokyny. Zoznámte sa s ovládacími prvkami a správnym používaním stroja.
- Nikdy nedovoľte ľuďom, ktorí nie sú oboznámení s týmito pokynmi, alebo deťom používať stroj. Miestne predpisy môžu obmedzovať vek obsluhy.
- Majte na pamäti, že obsluha alebo používateľ nesie plnú zodpovednosť za nehody a nepredvídané udalosti voči iným osobám a ich majetku.

PRÍPRAVA

- Nikdy nepoužívajte stroj za prítomnosti osôb, najmä detí, alebo zvierat v jeho blízkosti.
- Používajte ochranu očí a hrubé topánky po celú dobu používania stroja.
- Vzdialenosť medzi prístrojom a okolostojacími osobami musí byť najmenej 15 m.

POUŽÍVANIE

- Stroj používajte iba za denného svetla alebo pri dobrom umelom osvetlení.
- Nikdy nepoužívajte stroj s poškodenými krytmi alebo štítmí, alebo bez nasadených krytov alebo štítov.
- Motor zapnite až vtedy, keď sú ruky a nohy mimo dosahu rezacích prostriedkov.
- Vždy odpojte stroj od napájania (t.j. vyťahnite zástrčku zo siete alebo vyberte blokovacie zariadenie).
 - vždy, keď necháte stroj bez dozoru;
 - pred odstraňovaním zablokovania;
 - pred kontrolou, čistením alebo prácou na stroji;
 - po zasiahnutí cudzieho predmetu;
 - vždy, keď stroj začne neobvykle vibrovať.
- Dávajte pozor na poranenia nôh a rúk rezacími prostriedkami.
- Zabezpečte, aby ventilačné otvory boli čisté.

SK

ÚDRŽBA A SKLADOVANIE

- Pred vykonávaním údržby alebo čistením odpojte stroj od napájania (t.j. vytiahnite zástrčku zo siete alebo vyberte blokovacie zariadenie).
- Používajte len príslušenstvo a náhradné diely odporúčané výrobcom.
- Pravidelne kontrolujte a udržiavajte stroj. Nechajte stroj opraviť len u autorizovaného odborníka.
- Keď stroj nepoužívate, uskladnite ho mimo dosahu detí.

INÉ BEZPEČNOSTNÉ POKYNY

- **Udržujte deti v bezpečnej vzdialenosti** – Všetci návštevníci musia dodržiavať bezpečnú vzdialenosť najmenej 15 m od pracoviska.
- **Nepracujte v nebezpečnom prostredí** - Nepoužívajte kosačky vo vlhkom alebo mokrom prostredí.
- **Vždy, keď necháte krovinores bez dozoru, vypnite ho, alebo vyberte akumulátor.**
- **Nepoužívajte v daždi.**
- **Vhodne sa obliekajte** - Nenoste šperky alebo voľný odev. Môžu byť zachytené pohybujúcimi sa dielmi. Pri práci vonku odporúčame používať gumové rukavice a pevnú obuv. Používajte ochranné čiapky na dlhé vlasy.
- **Používajte bezpečnostné okuliare** - Vždy používajte protiprachovú masku, ak je práca prašná.
- **Používajte správny nástroj** - Nepoužívajte nástroj na iný ako určený účel.
- **Krovinores nepreťažujte** – Svoju prácu si bude robiť lepšie a s menšou pravdepodobnosťou rizika poranenia, ak sa použije určeným spôsobom.
- **Buďte pozorní** - Sledujte, čo robíte. Používajte zdravý rozum. Nepracujte s kosačkou, ak ste unavení.
- **S krovinoresom nepracujte pod vplyvom alkoholu alebo iných návykových látok.**
- **Majte chrániče nasadené a vo funkčnom stave.**
- **Udržujte ruky a nohy v bezpečnej vzdialenosti od rezacieho priestoru.**
- **Krovinores skladujte vo vnútri** – Ak krovinores nepoužívate, skladujte ho v interiéri na suchom, vyvýšenom alebo uzamknutom mieste s odstráneným akumulátorom - mimo dosahu detí.
- **Starostlivo udržiavajte krovinores** - Udržiavajte rezacie príslušenstvo čisté pre najlepší výkon a zníženie rizika zranenia. Dodržujte pokyny pre výmenu príslušenstva. Udržujte rukoväte suché, čisté, bez oleja a maziva.

SK

- **Skontrolujte poškodené diely** - Pred ďalším používaním krovinoresu musí byť chránič alebo iná časť, ktorá je poškodená, starostlivo skontrolovaná na správnu funkciu a plnenie jej zamýšľaného účelu. Skontrolujte vyrovnanie pohyblivých častí, pripojenie pohyblivých častí, poškodenie jednotlivých dielov, montáž a akékoľvek iné okolnosti, ktoré môžu mať vplyv na prevádzku nástroja. Chránič alebo iná časť, ktorá je poškodená, musí byť správne opravená alebo vymenená v autorizovanom servisnom stredisku, pokiaľ nie je uvedené inak v tejto príručke.
- **Uistite sa, že všetky spojovacie prvky sú na svojom mieste a sú upevnené. Uistite sa, že chránič rezacieho nástavca je správne pripojený a v polohe odporúčenej výrobcom.**
- **Pred každým použitím vyčistite oblasť, ktorá má byť rezaná.** Odstráňte všetky predmety, ako sú kamene, rozbité sklo, kince, drôty alebo šnúry, ktoré môžu byť vymrštené alebo môžu uviaznuť v rezacom nástavci. Zabráňte prístupu deťom, prítomným osobám a domácim zvieratám. Deti, prízerajúce osoby a domáce zvieratá udržiavajte vo vzdialenosti 15 m (50 ft); aj mimo 15 m (50 ft) pásma existuje stále nebezpečenstvo poranenia vymrštenými predmetmi. Okolostojace osoby by mali mať ochranu očí.
- **Vždy držte krovinores pri používaní pevne obomi rukami na rukoväti. Palce a prsty obmotajte okolo rukoväti.**
- **Zabráňte nechcenému spusteniu** - Neprenášajte krovinores s prstom na vypínači.
- **Nepoužívajte krovinores v horľavom alebo výbušnom prostredí.** Motory v týchto zariadeniach bežne iskria a iskry by mohli vznietiť výpary.
- **Poškodenie krovinoresu** – Ak zasiahnete cudzí predmet krovinoresom, alebo ak sa krovinores zamotá, okamžite zastavte nástroj, skontrolujte poškodenie a akékoľvek poškodenie nechajte opraviť skôr, než sa pokúsite o ďalšiu prevádzku. Nepracujte s poškodeným krytom alebo čepeľou.
- **V prípade, že nástroj začne nezvyčajne vibrovať, vypnite motor a ihneď zistite príčinu.** Vibrácie zvyčajne upozorňujú na problém. Uvoľnená čepeľ môže vibrovať, prasknúť, zlomiť sa alebo odletieť z krovinoresu, čo môže viesť k vážnemu alebo smrteľnému zraneniu. Uistite sa, že rezací nástavec je správne nainštalovaný a pevne pripavený. V prípade, že sa čepeľ po upevnení uvoľní, ihneď ju vymeňte. Nikdy nepoužívajte krovinores s voľným rezacím nástavcom.
- **Za účelom zníženia rizika zranenia kvôli strate kontroly, nikdy nepracujte na rebríku alebo na inej nejstej podpore. Nikdy nedržte rezacie príslušenstvo nad úrovňou pásu.**

- **Udržujte pevný postoj a rovnováhu.** Neprečeňte sa. Udržujte rezací nástavec pod úrovňou pasu. Udržujte všetky časti tela mimo dosahu rezacieho nástavca.
- Ihneď vymeňte prasknutú, poškodenú alebo opotrebovanú čepeľ, aj keď je poškodenie obmedzené na povrchové praskliny. Takéto príslušenstvo sa môže pri vysokej rýchlosti roztrieštiť a spôsobiť vážne alebo smrteľné zranenie.
- Počas prevádzky kontrolujte rezacie príslušenstvo v pravidelných krátkych intervaloch, alebo ihneď, ak vznikne nápadná zmena v charakteristike rezania.
- **Ak sa približujú, zastavte motor a rezací nástavec.** V prípade čepeľových nástrojov existuje väčšie riziko zranenia osôb v okolí zasiahnutím pohybujúcou sa čepeľou v prípade spätného rázu alebo inej neočakávanej reakcie čepele.
- **Upozornite obsluhu na nebezpečenstvo spätného rázu.**
 - K spätnému rázu môže dôjsť pri kontakte otáčajúcej sa čepele s objektom, ktorý nie je okamžite prerazený.
 - Spätňý ráz môže byť dosť silný, aby spôsobil pohyb prístroja a/alebo používateľa v ľubovoľnom smere a môže tiež viesť k strate kontroly nad prístrojom.
 - K spätnému rázu môže dôjsť bez varovania, ak sa čepeľ zadrhne, zastaví alebo zasekne.
 - Spätňý ráz je pravdepodobnejší v oblastiach, kde je náročné vidieť rezaný materiál.
- **Nepripojujte žiadnu čepeľ na prístroj bez správnej inštalácie všetkých potrebných dielov. Ak sa nepoužijú správne diely, môže dôjsť k odleteniu čepele a vážnemu poraneniu obsluhy a/alebo okoloidúcich.** Vyhodte čepele, ktoré sú ohnuté, zdeformované, popraskané, rozbité alebo inak akokoľvek poškodené. Používajte ostré čepele. Tupá čepeľ sa skôr zadrhne a odskočí.
- **Voľnobežná čepeľ môže spôsobiť zranenie, keď sa ďalej otáča potom, čo je motor zastavený alebo spúšť uvoľnená.** Dodržujte náležitú kontrolu, pokiaľ čepeľ celkom nezastaví svoje otáčanie.
- **Nedobíjajte akumulátor v daždi alebo vo vlhkom prostredí.**
- **Používajte iba s nižšie uvedenými akumulátormi a nabíjačkami:**

BATÉRIA	NABÍJAČKA
BA1120E, BA2240E, BA2800	CH2100E CH5500E
- **Pred likvidáciou musí byť akumulátor odstránený zo spotrebiča.**
- **Batérie nevyhadzujte do ohňa.** Články môžu explodovať. Pozrite si miestne vyhlášky so špeciálnymi pokynmi na likvidáciu.
- **Neotvárajte alebo nepoškodzuje batérie.** Uvoľnený elektrolyt je žieravina a môže spôsobiť poškodenie očí alebo kože. Môže byť toxická pri požití.
- **Pri manipulácii s batériami buďte opatrní, aby nedošlo ku skratovaniu batérie vodivými materiálmi, ako sú prstene, náramky a kľúče.** Batérie alebo vodiče sa môžu prehriať a spôsobiť popálenie.
- **Náhradné diely** - Pri opravách používajte výhradne originálne náhradné diely spoločnosti EGO. Použitie iného príslušenstva alebo prídavného zariadenia môže zvýšiť riziko poranenia.
- **Nástroje na batérie nemusia byť zapojené do elektrickej zásuvky; preto sú vždy v prevádzkovom stave.** Buďte si vedomí možných rizík, aj keď sa nástroj nepoužíva. Buďte opatrní pri vykonávaní údržby alebo servisu.
- **Odstráňte a odpojte akumulátor pred vykonávaním údržby, čistením alebo odstraňovaním materiálu z krovínorezu.**
- **Neumývajte s hadicou; zabráňte tomu, aby sa voda dostala do motora a elektrických prípojk.**
- **Ak sa vyskytnú situácie, ktoré nie sú zahrnuté v tomto návode, buďte opatrní a použite zdravý úsudok. Obráťte sa na zákaznicke servisné stredisko EGO pre pomoc.**
- **Odložte si tieto pokyny.** Používajte ich často a poučte o používaní pokynov aj ostatných, ktorí môžu tento nástroj používať. Ak požičiate tento nástroj niekomu inému, požičajte mu aj tieto pokyny, aby sa zabránilo zneužitiu výrobku a prípadným zraneniam.
- **POZNÁMKA: POZRITE SI NÁVOD PRE POHONNÚ HLAVU PRE DODATOČNE BEZPEČNOSTNÉ PRAVIDLÁ.**

TECHNICKÉ ÚDAJE

Rezná šírka	30 cm	
Rýchlosť naprázdno	5000/6000 min ⁻¹	
Hmotnosť (bez akumulátora)	1,82 kg	
Hladina akustického výkonu L _{WA}	96,5 dB(A) K=1,88 dB(A)	
Hladina akustického tlaku pri uchu obsluhy L _{PA}	84,5 dB(A) K=3 dB(A)	
Garantovaná hladina akustického výkonu L _{WA} (meraná podľa 2000/14/EC)	98 dB(A)	
Vibrácie h	Predná pomocná rukoväť	2,8 m/s ² K=1,6 m/s ²
	Zadná rukoväť	3,1 m/s ² K=1,6 m/s ²

- Vyššie uvedené parametre sú testované a merané s nástrojom vybaveným pohonnou hlavou PH1400E.
- Uvádzaná celková hodnota vibrácií bola meraná v súlade so štandardnou skúšobnou metódou a môže byť použitá na porovnanie jedného zariadenia s iným;
- Uvádzaná celková hodnota vibrácie sa môže použiť aj na predbežný odhad expozície.

POZNÁMKA: Emisia vibrácií pri skutočnom používaní náradia sa môže odlišovať od deklarovanej hodnoty, pri akej sa nástroj používa; Za účelom ochrany obsluhy má používateľ v skutočných podmienkach použitia nosiť rukavice a ochranu sluchu.

SK

Odporúčaná čepeľ

NÁZOV DIELU	ČÍSLO MODELU
Čepeľ krovinoresu	ABB1203

OBSAH BALENIA

NÁZOV DIELU	MNOŽSTVO
Nástavec na krovinores	1
Čepeľ a súprava čepeľového puzdra	1
Chránič	1
Príslušenstvo chrániča (použitie len so strunovou hlavou)	1
Šesthranný kľúč	1
Multifunkčný kľúč	1
Návod na obsluhu	1

POPIS

ZOZNÁMTE SA S NÁSTAVCOM NA KROVINOREZ (obr. A)

1. Koncovka
2. Hriadeľ krovinoresu
3. Chránič
4. Čepeľ
5. Puzdro krovinoresu
6. Upínací drôt
7. Tesniaca skrutka
8. Prevodová skriňa
9. Otvor pre zaistenie hriadeľa
10. Vonkajšia príruha
11. Multifunkčný kľúč
12. Imbusový kľúč
13. Príslušenstvo chrániča (použitie len so strunovou hlavou)

VAROVANIE: Nikdy nepoužívajte náradie bez nasadeného ochranného krytu. Chránič musí byť vždy na nástroji pre ochranu používateľa.

VAROVANIE: Ak sa nástroj používa ako strunová kosačka, ktorá je vybavená strunovou hlavou, musí byť príslušenstvo chrániča namontované na kryte. Nedodržanie tohto pokynu môže mať za následok príliš dlhú reznú líniu a preťaženie motora.

ZOSTAVA

VAROVANIE: Ak akýkoľvek diel chýba, alebo je poškodený, nepoužívajte tento výrobok, kým nie sú vymenené diely. Ak používate tento výrobok s poškodenými alebo chýbajúcimi časťami, môže dôjsť k vážnemu zraneniu.

VAROVANIE: Nepokúšajte sa upravovať tento výrobok alebo vytvoriť príslušenstvo, ktoré nie je odporúčané pre použitie s touto strunovou kosačkou. Každá takáto zmena alebo úprava je zneužitím a môže viesť k nebezpečnému stavu spôsobujúcemu vážne poranenie.

VAROVANIE: Vždy používajte pevné rukavice pri inštalácii alebo vyberaní čepele alebo krytu alebo vykonávaní akejkoľvek údržby na čepeľ. Dávajte pozor na čepeľ a chráňte svoje ruky pred poraním ostrím.

VAROVANIE: Nepripájajte pohonnú hlavu pred dokončením zmontovania. Nedodržanie tohto pokynu môže viesť k náhodnému štartu a možnému vážnemu poraneniu.

POZNÁMKA: Správne poradie montáže nástroja na krovinorez je: najprv montáž chrániča, potom čepeľ a nakoniec pripojenie na pohonnú hlavu.

VAROVANIE: Nikdy nepoužívajte náradie bez ochranného krytu a prednej pomocnej rukoväte s bariérovou tyčou pevne prichytenou na svojom mieste. Nedodržanie tohto pokynu môže viesť k možnému vážnemu poraneniu.

MONTÁŽ CHRÁNIČA

- Zdvihnute krovinorez a otočte ho smerom dole; zarovnajete dva montážne otvory v kryte s dvomi skrutkami, ktoré sú predmontované na upevňovacej doske. Uistite sa, že vnútorný povrch krytu smeruje k hlave krovinorezu (obr. C).
- Zaistíte kryt na mieste skrutkami pomocou dodaného imbusového kľúča (obr. D).

MONTÁŽ ČEPELE

- Čepeľ sa dodáva s puzdrom. Pred montážou čepele na krovinorez zložte puzdro uvoľnením upínacieho drôtu z háku na puzdre (obr. E).

Popis dielov na obr. E si pozrite nižšie:

E-1	Hák
E-2	Upínací drôt

- Otočte vonkajšiu prírubu a vyrovnajte štrbinu vo vnútornej prírubе s otvorom pre zaistenie hriadeľa v prevodovej skrini (obr. F).
- Vložte dodaný imbusový kľúč do zarovnaných otvorov ako stabilizátor (obr. G).

Obr. F a G s popisom dielov:

F-1	Prevodová skriňa	F-3	Vonkajšia prírubа
F-2	Vyrované otvory pre zaistenie hriadeľa	G-1	Stabilizátor

- Položte hlavu krovinorezu na pevnú podložku pre podporu. Jednou rukou uchopte hriadeľ krovinorezu a druhou rukou uchopte multifunkčný kľúč dodaný na povolenie matice v smere šípky vyznačenej na vonkajšej prírubе a odstráňte maticu a vonkajšiu prírubu. Odložte si ich pre opätovnú montáž (obr. H).
- Namontujte čepeľ na hriadeľ motora tak, aby povrch čepele bol v jednej rovine s povrchom výklenku vnútornej prírubы. Prejdite na montáž vonkajšej prírubы a matice (obr. I). Uťahnete predbežne maticu **PROTI SMERU** hodinových ručičiek rukou.

Popis dielov na obr. I si pozrite nižšie:

I-1	Výklenok vnútornej prírubы	I-4	Vonkajšia prírubа
I-2	Motorový hriadeľ	I-5	Čepeľ
I-3	Matica		

- Otáčajte vonkajšiu prírubu tak, aby ste zarovnali štrbinu vo vnútornej prírubе s otvorom pre zaistenie hriadeľa v prevodovej skrini a vložte dodaný imbusový kľúč do vyrovaných otvorov, aby pôsobil ako stabilizátor ako v predošlom znázornenom kroku 2 a 3.
- Položte hlavu krovinorezu na pevnú podložku pre podporu. Jednou rukou uchopte čepeľ a druhou rukou uchopte multifunkčný kľúč dodaný pre utiahnutie matice proti smeru šípky vyznačenej na vonkajšej prírubе (obr. J).

Použitie príslušenstva chrániča

POZNÁMKA: Ak sa nástroj používa ako strunová kosačka, ktorá je vybavená strunovou hlavou, musí byť príslušenstvo chrániča namontované na kryte (obr. K).

Príslušenstvo chrániča pripievňte na kryt dotiahnutím troch skrutiek s dodaným imbusovým kľúčom. Nedodržanie tohto pokynu môže mať za následok príliš dlhú reznú líniu a preťaženie motora.

PRIPOJENIE NÁSTAVCA PRE KROVINOREZ NA POHONNÚ HLAVU

Tento nástavec pre krovinorez je určený na použitie s pohonnou hlavou EGO PH1400E.

Pozrite si časť „**INŠTALÁCIA NÁSTAVCA NA POHONNÚ HLAVU**“ v návode na obsluhu pohonnej hlavy PH1400E.

SK

OBSLUHA

VAROVANIE: Nedovoľte, aby ste sa po zoznamení s týmto výrobkom stali neopatrnými. Zapamätajte si, že zlomok sekundy neopatrnosti postačuje na spôsobenie vážneho poranenia.

VAROVANIE: Vždy používajte ochranu zraku s bočnými ochrannými krytmi. Spolu s ochranou sluchu. Ak tak neurobite, môže dôjsť k vymršteniu predmetov do očí a iným možným vážnym zraneniam.

APLIKÁCIE

Tento výrobok môžete použiť na nižšie uvedené účely:

- Rezanie trávy, buriny, divokého porastu a krovín, prerezávanie mladých porastov s maximálnym priemerom kmeňa 2 cm.

POZNÁMKA: Nástroj sa musí používať len na predpísané účely. Každé iné použitie sa považuje za prípad zneužitia.

POUŽITÍ KROVINOREZU S POHONNOU HLAVOU

VAROVANIE: Oblečte sa vhodne pri práci s týmto náradím, aby sa znížilo riziko poranenia. Nenoste šperky alebo voľný odev. Používajte ochranu očí a sluchu. Oblečte si odolné, dlhé nohavice, vysoké topánky a rukavice. Nenoste krátke nohavice, sandále alebo nebuďte naboso.

Pre bezpečnejšie a lepšie použitie si dajte ramenný popruh cez rameno. Upravte ramenný popruh do pohodlnej pracovnej polohy. Uchopte krovinorez jednou rukou za zadnú rukoväť a druhou rukou za prednú rukoväť. Udržujte pevný úchop oboma rukami pri používaní nadradia. Krovinorez sa má držať v pohodlnej polohe so zadnou rukoväťou vo výške bedrového kĺbu. Udržujte váš úchop a rovnováhu na oboch nohách. Postavte sa tak, aby ste neboli vyvedení z rovnováhy pri spätnom ráze rezacej čepele (obr. B).

VAROVANIE: Ramenný popruh má takisto rýchlovyppínací mechanizmus pre nebezpečné situácie. Ak dôjde k núdzovej situácii, ihneď si popruh odopnite zo svojho ramena bez ohľadu na to, akým spôsobom je popruh pripnutý.

Ak chcete orezať divoký porast a kroviny, znížte rotujúcu čepeľ k porastu, aby sa dosiahol účinok sekania. Použite krovinorez ako kosu (prechádzajte vpravo a vľavo) na úrovni terénu. Nikdy nedržte rezací nástavec nad úrovňou pásu.

VAROVANIE: Čím vyššie je rezací nástavec nad zemou, tým väčšie je riziko poranenia z odrezkov vymrštených do strán.

VAROVANIE: Pri rezaní mladých porastov alebo iných drevitých materiálov až do 2 cm v priemere použite ľavú stranu čepele, aby sa zabránilo situáciám so spätným rázom. Nepokúšajte sa rezať drevné hmoty s väčším priemerom, pretože sa čepeľ môže zachytiť alebo šklbnúť krovinorez dopredu. Mohlo by dôjsť k poškodeniu čepele alebo krovinorezu alebo k strate kontroly nad krovinorezom, čo vedie k poraneniu osôb.

VAROVANIE: Nesprávne použitie čepele krovinorezu môže viesť k jej prasknutiu, odštiepeniu alebo roztriešteniu.

Vymrštené časti môžu vážne poraniť obsluhu či okoloidúceho. Aby sa znížilo riziko poranenia osôb, je nutné prijať nasledujúce opatrenia:

- Vyhybajte sa kontaktu s tvrdými alebo cudzími pevnými objektmi, ako sú kamene, skaly alebo kusy kovu.

- Nikdy nerežte drevo alebo kríky s priemerom kmeňa väčším ako 2 cm.
- Kontrolujte čepeľ v pravidelných krátkych intervaloch, či nie je poškodená. Nepokračujte v práci s poškodenou čepeľou.
- Pravidelne brúste čepeľ (ak sa nápadne otupila) a majte ju vyváženú v prípade potreby (vykonáva iba kvalifikovaný servisný technik).

SPÄTNÝ RÁZ ČEPELE

Buďte veľmi opatrní pri použití čepele s týmto prístrojom. Spätný ráz je reakcia, ktorá môže nastáť, keď sa otáčajúca čepeľ dostane do kontaktu s niečím, čo nedokáže prerezať. Tento kontakt môže spôsobiť, že čepeľ sa na okamih zastaví a naraz „odhodí“ prístroj do väčšej vzdialenosti od predmetu, ktorý bol zasiahnutý. Táto reakcia môže byť dostatočne prudká, aby spôsobila stratu kontroly obsluhy nad prístrojom. K spätnému rázu môže dôjsť bez varovania, ak sa čepeľ zadrhne, zastaví alebo zasekne. K tomu môže častejšie dôjsť v oblastiach, kde je náročné vidieť rezaný materiál. Pre jednoduchosť a bezpečnosť rezania sa priblížte k rezanej burine s krovinorezom sprava doľava. V prípade kontaktu s neočakávaným objektom alebo dreveným pníkom by táto prax mohla minimalizovať spätný ráz čepele.

Pred každým použitím skontrolujte, či nie sú poškodené / opotrebované diely

Skontrolujte čepeľ, chránič a prednú pomocnú rukoväť a vymeňte diely, ktoré sú prasknuté, zdeformované, ohnuté, alebo inak poškodené.

Hrana čepele sa môže otupiť v priebehu času. Odporúčame, aby ste otáčali čepeľ na predĺženie jej životnosti a pravidelne ju ostríte (vykonáva iba kvalifikovaný servisný technik), alebo ju vymeňte za novú čepeľ v prípade potreby.

Vyčistíte krovinorez po každom použití

Pozrite si časť **ÚDRŽBA** pre pokyny na čistenie.

VAROVANIE: Pred čistením alebo údržbou krovinorezu sa uistite, že došlo k úplnému zastaveniu čepele. Nedodržanie tohto pokynu môže viesť k možnému vážnemu poraneniu.

ZAPNUTIE/VYPNUTIE NÁSTROJA

Pozrite si časť „**ZAPNUTIE/VYPNUTIE POHONNEJ HLAVY**“ v návode na obsluhu pohonnej hlavy PH1400E.

ÚDRŽBA

VAROVANIE: Pred kontrolou, čistením alebo údržbou prístroja zastavte motor, počkajte, kým sa všetky pohyblivé diely zastavia a vyberte akumulátor. Nedodržanie týchto pokynov môže viesť k vážnemu zraneniu alebo poškodeniu majetku.

VAROVANIE: Pri servise používajte iba identické náhradné diely. Použitie iných častí môže vyvolať nebezpečenstvo, alebo spôsobiť poškodenie výrobku. Pre zaistenie bezpečnosti a spoľahlivosti je nevyhnutné, aby všetky opravy vykonával len kvalifikovaný servisný technik.

VAROVANIE: Vždy používajte pevné rukavice pri inštalácii alebo odstraňovaní čepele alebo vykonávaní akejkoľvek údržby na čepeľi. Dávajte pozor na čepeľ a chráňte svoje ruky pred poranením ostrím.

CELKOVÁ ÚDRŽBA

Na čistenie plastových dielov nepoužívajte rozpúšťadlá. Väčšina plastov je náchylná na poškodenie z rôznych typov komerčných rozpúšťadiel a môžu sa poškodiť, ak sa použijú. Použite čisté handry na odstránenie nečistôt, prachu, oleja, maziva, atď.

ČISTENIE PRÍSTROJA

- Vyberte akumulátor
- Po každom použití odstráňte mäkkou kefou sutinu, upchanú zeminu alebo trávu na čepeľi a chrániči.
- Utrite povrch prístroja čistou handrou navlhčenou v slabom mydlovom roztoku.
- Použite malú kefu alebo malý vysávač na vyčistenie vetracích otvorov na zadnom kryte.
- Udržujte vetracie otvory bez prekážok.

Keď sa čepeľ otupí (oba okraje čepele sú tupé), nechajte čepeľ zostriť len u kvalifikovaného servisného technika, alebo vymeňte podľa potreby za novú čepeľ.

VÝMENA ČEPELE

VAROVANIE: Opatrebovaná, prasknutá alebo poškodená čepeľ sa môže zlomiť a kúsky poškodenej čepele sa môžu stať nebezpečnými projektilmi. Vymrštené predmety môžu spôsobiť vážny úraz. Čepeľ pravidelne kontrolujte a nepoužívajte krovinores s opotrebovanou alebo poškodenou čepeľou.

VAROVANIE: Používajte ochranu očí pri demontáži, ostrení a inštalácii čepele.

Demontáž čepele

1. Vyberte akumulátor.
2. Otáčajte vonkajšiu prírubu tak, aby ste zarovnali štrbinu vo vnútornej prírubе s otvorom pre zaistenie hriadeľa v prevodovej skrinі a vložte dodaný imbusový kľúč do vyrovnaných otvorov, aby pôsobil ako stabilizátor ako v predošlom zázornenom kroku 2 v časti „MONTÁŽ ČEPELE“.

3. Položte hlavu krovinoresu na pevnú podložku pre podporu. Jednou rukou uchopte čepeľ a druhou rukou uchopte multifunkčný kľúč dodaný na povolenie matice v smere šípky vyznačenej na vonkajšej prírubе a odstráňte maticu, vonkajšiu prírubu a opotrebovanú čepeľ (obr. L).
4. Skontrolujte a vymeňte vnútornú prírubu a kryt príruby, ak sú opotrebované (obr. M).

Popis dielov na obr. M si pozrite nižšie:

M-1	Motorový hriadeľ	M-5	Vonkajšia prírubа
M-2	Vnútorná prírubа	M-6	Matica
M-3	Kryt príruby	M-7	Drážka v prírubе
M-4	Čepeľ		

5. Nainštalujte novú čepeľ na hriadeľ motora podľa poradia na obr. M. Podrobný postup je uvedený v pokynoch krokov 5, 6 a 7 v časti „MONTÁŽ ČEPELE“.

MAZANIE PREVODOVKY

Prevody v prevodovej skrinі sa musia pravidelne mazať prevodovým mazivom. Skontrolujte hladinu prevodového maziva v prevodovke približne každých 50 prevádzkových hodín odstránením tesniacej skrutky na boku skrine.

Ak na stranách prevodov nie je vidno žiadne mazivo, postupujte podľa pokynov pre naplnenie prevodovým mazivom až do 3/4 kapacity.

Nezaplňte celkom prevody.

1. Umiestnite krovinores tak, aby tesniaca skrutka smerovala hore (obr. N).
2. Pomocou dodaného multifunkčného kľúča povoľte a odstráňte tesniacu skrutku.
3. Použite mazaciu striekačku (nie je súčasťou dodávky) na zavedenie maziva do otvoru pre skrutku.
4. Po naplnení utiahnete tesniacu skrutku.

USKLADNENIE PRÍSTROJA

- Vyberte akumulátor z prístroja.
- Použite pevné rukavice na dôkladné vyčistenie prístroja.
- Založte puzdro čepele na čepeľ pre bezpečné uskladnenie (obr. O).
- Zložte nástavec pre krovinores z pohonnej hlavy a namontujte koncovku na hriadeľ nástavca, ak je to nutné.
- Prístroj skladujte na suchom a dobre vetranom uzamknutom alebo vyvýšenom mieste mimo dosahu detí. Náradie neskladujte v blízkosti hnojív, benzínu alebo iných chemikálií.

SK

Ochrana životného prostredia

Nevyhadzujte elektrické zariadenia, nabíjačku batérií a batérie / akumulátory do domového odpadu!

Podľa európskej smernice 2012/19/EU elektrické a elektronické zariadenia, ktoré už nie sú použiteľné a podľa európskej smernice 2006/66/EC chybné alebo použité akumulátory / batérie sa musia zhromažďovať oddelene.

Ak sú elektrické spotrebiče likvidované na neorganizovaných skládkach alebo smetiskách, môžu nebezpečné látky unikať do podzemných vôd, dostať sa do potravinového reťazca a poškodzovať zdravie.

VYHLÁSENIE O ZHODE ES

My, EGO EUROPE GMBH

Wahlwiesenstrasse 1, D-71711 Steinheim an der Murr
Deutschland

Vyhlasujeme, že výrobok **56 V lítium-iónový akumulátorový nástavec pre krovínorez BCA1200** vybavený pohonnou hlavou PH1400E

spĺňa základné požiadavky na ochranu zdravia a bezpečnosť podľa týchto smerníc:

2006/42/EC, 2014/30/EU, 2011/65/EU, 2000/14/EC

Uvedené normy a technické špecifikácie:

EN ISO 11806-1, EN 60745-1, EN 55014-1, EN 55014-2

Nameraná hladina akustického výkonu: 96,5 dB(A),

Garantovaná hladina akustického výkonu: 98 dB(A)

Peter Melrose
Výkonný riaditeľ
EGO Europe GmbH

Dong Jianxun
Manažér kvality spoločnosti
Chervon

* (Autorizovaný zástupca pre spoločnosť Chervon a osoba zodpovedná za technickú dokumentáciu)

01/12/2016

SK

ODSTRAŇOVANIE PROBLÉMOV

PROBLÉM	PRÍČINA	RIEŠENIE
Krovinorez sa nespustí.	<ul style="list-style-type: none"> ■ Akumulátor nie je pripojený na pohonnú hlavu. ■ Bez elektrického kontaktu medzi pohonnou hlavou a akumulátorom. ■ Akumulátor je vybitý. ■ Poistná páčka a spínač nie sú súčasne stlačené. 	<ul style="list-style-type: none"> ■ Pripojte akumulátor na pohonnú hlavu. ■ Vyberte batériu, skontrolujte kontakty a vložte akumulátor, pokiaľ nezapadne na svoje miesto. ■ Nabite akumulátor pomocou nabíjačiek EGO, ktoré sú uvedené v tomto návode na obsluhu. ■ Pre zapnutie krovinorezu zatlačte poistnú páčku a podržte ju, potom stlačte vypínač.
Krovinorez sa zastaví pri rezaní.	<ul style="list-style-type: none"> ■ Motor je preťažný. ■ Akumulátor alebo pohonná hlava sú príliš horúce. ■ Akumulátor je odpojený od nástroja. ■ Akumulátor je vybitý. 	<ul style="list-style-type: none"> ■ Motor sa zotaví po odstránení záťaže. Pre kontinuálnu prácu znížte zaťaženie pohonnej hlavy. ■ Nechajte akumulátor alebo pohonnú hlavu vychladnúť, pokým teplota neklesne pod 67 ° C. ■ Znovu vložte akumulátor. ■ Nabite akumulátor pomocou nabíjačiek EGO, ktoré sú uvedené v tomto návode na obsluhu.

ZÁRUKA

ZÁRUČNÁ POLITIKA EGO

Navštívte webové stránky egopowerplus.com pre úplné podmienky záručnej politiky spoločnosti EGO.

SK

OLVASSA EL AZ ÖSSZES UTASÍTÁST!



OLVASSA EL A HASZNÁLATI ÚTMUTATÓT

⚠ Maradék kockázat! Az elektronikus készülékekkel, például pacemakerrel, élő emberek a termék használata előtt kérjék ki orvos véleményét. Az elektromos felszerelés a szív pacemakerhez közel való működtetése interferenciát vagy meghibásodást okozhat a pacemakerben.

⚠ FIGYELMEZTETÉS: A biztonságosság és megbízhatóság biztosítása érdekében minden javítást szakképzett szerviztechnikus hajtsa végre.

BIZTONSÁGI SZIMBÓLUMOK

A biztonsági szimbólumok célja, hogy felhívják a figyelmet az esetleges veszélyekre. Nagyon figyeljen a biztonsági szimbólumokra és magyarázatokra, ill. ezek megértésére. A szimbólumok figyelmeztetési önmagukban nem hárítják el a veszélyeket. Az utasítások és figyelmeztetések nem helyettesítik a megfelelő balesetmegelőző intézkedéseket.

⚠ FIGYELMEZTETÉS: A szerszám használata előtt feltétlenül olvassa el a jelen használati útmutató minden biztonsági utasítását, a „VESZÉLY”, „FIGYELMEZTETÉS” és „FIGYELEM” biztonsági szimbólumokat is. Az alább felsorolt utasítások be nem tartása áramütést, tűzveszélyt és/vagy súlyos személyi sérülést idézhet elő.

SZIMBÓLUM JELENTÉSE

⚠ BIZTONSÁGI SZIMBÓLUM: VESZÉLYT vagy **FIGYELMEZTETÉST** jelöl. Más szimbólumokkal vagy rajzokkal együtt használható.



⚠ FIGYELMEZTETÉS: Bármely elektromos kéziszerszám működtetése azzal járhat, hogy idegen tárgyak szembe kerülnek, amely súlyos szemsérüléseket okozhat. Az elektromos kéziszerszám működtetése előtt, mindig vegyen fel oldalsó védőlemezzel ellátott védőszemüveget és a teljes védőálarcot, ha szükséges. Javasoljuk, hogy viseljen Wide Vision Safety Mask-ot (védőálarc) a védőszemüveg fölött vagy standard védőszemüveget oldalsó védőlemezzel.

BIZTONSÁGI UTASÍTÁSOK

Ezen az oldalon olyan biztonsági szimbólumok láthatók és olvashatók, amelyek megjelenhetnek a terméken. Az összeszerelés vagy működtetés előtt olvassa el, értse meg és tartsa be a gép minden utasítását.

	Biztonsági figyelmeztetés	Potenciális személyi sérülés veszélyét jelzi.
	Olvassa el a használati útmutatót	A sérülések kockázatának csökkentése érdekében a használaton a termék használata előtt el kell olvasnia, és meg kell értenie a használati útmutatót.
	Viseljen szemvédőt	Mindig viseljen védőszemüveget vagy oldalsó védőlemezzel ellátott védőszemüveget és teljes védőálarcot a termék működtetése közben.
	Viseljen fülvédőt	A fűkasza zaja rongálhatja a hallását. Mindig viseljen hallásvédőt (füldugót vagy hallásvédőt) a hallása védelme érdekében.
	Viseljen fejevédőt	Viseljen hivatalos biztonsági kemény sisakot a feje védelme érdekében.
	Viseljen védőkesztyűt	Védje a kezét kesztyűvel, amikor a láncfűrész vagy a fűrészláncot kezeli. A nagy teherbírású, csúszásmentes kesztyű segít a fogásban, és védi a kezét.
	Viseljen védő lábbelit.	Viseljen csúszásgátló cipőt, amikor a készüléket használja.
	Vágásszéllesség	A fűkasza max. vágásszéllessége
	Ügyeljen a penge kőkörejére	Figyelmeztesse a kezelőt a penge lökörejére.

HU

	Visszapattanás	A visszapattanó tárgyak súlyos személyi sérülést vagy anyagi kárt okozhatnak.
	Tartsa távol a nézelődőket	Ügyeljen arra, hogy más személyek és a háziállatok legalább 15 m távolságban legyenek a fűkasza használatában.
	Nem kerek penge	Ne szereljen fel kerek vágópengét.
	Ne tegye ki eső hatásának	Ne használja esőben, és hagyja kint, ha esik az eső.
	CE	A termék megfelel az érvényes EK irányelveknek.
	WEEE	Az elhasznált elektromos termékek nem helyezhetők a háztartási hulladék közé. Vigye hivatalos újrahasznosító telephelyre.
	Zaj	Garantált hangteljesítményszint. Környezetre ható zaj kibocsátás a Európai Közösség irányelve szerint.
V	volt	Feszültség
mm	milliméter	Hossz vagy méret
cm	centiméter	Hossz vagy méret
in.	Hüvelyk	Hossz vagy méret
kg	kilogramm	Súly

FONTOS BIZTONSÁGI ELŐÍRÁSOK

▲ FIGYELMEZTETÉS: A fűkasza használata közben mindig tartsa be a következő alapvető biztonsági óvintézkedéseket a tűz, áramütés és személyi sérülések kockázatának csökkentése érdekében, a következőket is beleértve:

HASZNÁLAT ELŐTT FIGYELMESEN OLVASSA EL ŐRIZZE MEG KÉSŐBBI HASZNÁLATRA.

▲ VESZÉLY: Ne hagyatkozzon kizárólag a szerszám áramütés elleni szigetelésére. Az áramütés kockázatának csökkentése érdekében soha ne működtesse a gépet vezetékek vagy kábelek (hálózati stb.) közelében, amelyek elektromos áramot vezethetnek.

▲ FIGYELEM: Használat közben viseljen megfelelő személyes hallásvédőt. Bizonyos körülmények között és használati idő után a termék halláskárosodást okozhat.

GYAKORLÁS

- Körültekintően olvassa el az utasításokat. Ismerje meg a gép szabályozását és helyes használatát.
- Ne engedélyezze a gép használatát gyermekeknek vagy olyan személyeknek, akik nem ismerik ezeket az utasításokat. A helyi rendelkezések korlátozásokat tartalmazhatnak a szerszám működtetőjének életkorára vonatkozóan.
- Ne feledje, hogy a szerszám működtetője a felelős azokért a balesetekért vagy veszélyekért, amelyek más embereket érintenek vagy mások vagyontárgyait érintik.

Előkészítés

- Soha ne működtesse a gépet, ha emberek, különösen gyermekek, vagy kis állatok vannak a közelben.
- A gép működtetése közben mindig viseljen védőszemüveget és vastagtalpú cipőt.
- A gép és a nézelődők közötti távolság legalább 15 m legyen.

Üzemeltetés

- Csak nappali világosságnál vagy megfelelő mesterséges megvilágítás mellett használja a terméket.
- Soha ne üzemeltesse a gépet sérült védőelemekkel vagy pajzsokkal vagy a helyükön lévő védőelemek és pajzsok nélkül.
- A motort csak akkor kapcsolja be, ha a kezei és lábai távol vannak a vágóeszközöktől.
- Mindig húzza ki a gépet a hálózati aljzatról (pl. húzza ki a csatlakozódugót a hálózati aljzatról, vagy távolítsa el az üzemen kívül helyezett készüléket),
- ha a gépet felügyelet nélkül hagyja:
 - mielőtt megszüntetne egy eltömődést;
 - mielőtt ellenőrzi, tisztítja vagy bármilyen más munkát végez a készüléken;
 - ha idegen tárgyba akad;
 - ha a termék szokatlan módon elkezd rázkódni.
- Legyen óvatos, nehogy a vágószerszám megsebesítse a kezét vagy lábát.
- Mindig gondoskodjon arról, hogy a szellőzőnyílások hulladéktól mentesek legyenek.

Karbantartás és tárolás

- Mindig húzza ki a gépet a hálózati aljzatról (pl. húzza ki a csatlakozódugót a hálózati aljzatról, távolítsa el az üzemen kívül helyezett készüléket) karbantartás vagy tisztítás előtt.

- Csak a gyártó által javasolt pótalkatrészeket és tartozékokat használja.
- Rendszeresen ellenőrizze a gépet, és végezzen karbantartást. A gép javítását csak felhatalmazott szerelő végezheti el.
- Gyermekek által hozzá nem férhető helyen tárolja a gépet, amikor nem használja azt.

Egyéb biztonsági figyelmeztetések

- **A gyermekeket tartsa távol** – Minden vendéget legalább 15 m távolságban tartson a munkaterülettől.
- **Kerülje a veszélyes környezetet** – Ne használja a fűkaszát nedves vagy vizes helyeken.
- **Mindig kapcsolja ki a fűkaszát, vagy vegye ki az akkumulátoregységet, ha felügyelet nélkül hagyja a szerszámot.**
- **Ne használja esőben.**
- **Megfelelően öltözzön fel** – Ne viseljen laza ruházatot vagy ékszereket. Beakadhatnak a mozgó alkatrészekbe. Amikor kint dolgozik, gumikesztyű és megfelelő cipő viselése javasolt. Viseljen védőhálót a hajához, hogy a hosszú haját fel tudja kötni.
- **Viseljen védőszemüveget** – Mindig használjon arc- vagy porvédő maszkot, ha a működtetés porral jár.
- **Használja a megfelelő készüléket** – Ne használja a fűnyírót más munkához, csak amihez készült.
- **Ne erősítse a fűkaszát** – jobban és biztonságosabban, sérülések alacsonyabb kockázatával dolgozhat a megadott teljesítményhatárokon belül.
- **Legyen figyelmes** – figyeljen oda arra, amit csinál. Használja a józan esztét. Ne használja a fűkaszát, ha fáradt.
- **Ne működtesse a fűkaszát alkohol vagy kábítószer hatása alatt.**
- **Tartsa a helyén és működőképesen a védőburkolatot.**
- **A kezét és lábát tartsa távol a vágási területtől.**
- **A fűkaszát beltéren tárolja** – Amikor nem használja a fűkaszát, akkor tárolja beltéren száraz és magas vagy elzárt helyen, az akkumulátoregység ne legyen benne – és tartsa gyermekektől elzárva.
- **A fűkaszát óvatosan tartsa karban** – A legjobb teljesítmény és a sérülésveszély csökkentése érdekében tartsa tisztán a vágóegységet. Tartsa be a tartozékok cseréjére vonatkozó utasításokat. Tartsa szárazon, tisztán, olajtól és zsírtól mentesen a fogantyúkat.

- **Ellenőrizze a sérült alkatrészeket** – A fűkasza használata előtt gondosan ellenőrizze a sérült védőburkolatot vagy alkatrészt, hogy megállapítsa, megfelelően működik-e, és a funkciójának megfelelő teljesítményt nyújtja-e. Ellenőrizze a mozgó részek beállítását és rögzítését, vizsgáljon meg minden részt, nem sérült-e, és ellenőrizze, nem állnak-e fenn olyan körülmények, amelyek befolyásolhatják a helyes kezelést. Megfelelő módon javíttassa meg vagy cseréltesse ki egy hivatalos szervizközpontban a sérült védőburkolatot vagy más alkatrészt, ha másként nincs feltüntetve a jelen használati útmutatóban.
- **Ellenőrizze, hogy minden rögzítő a helyén és rögzítve van-e. Ellenőrizze, hogy a vágóegység védőlemeze megfelelően és a gyártó által javasolt pozícióban van-e csatlakoztatva.**
- **Minden használat előtt tisztítsa meg a nyírándó területet.** Távolítsa el minden tárgyat, pl. követ, törött üveget, fűt, vezetéket vagy zsinórt, amely beakadhat a vágóegységbe. A területen ne legyenek gyermekek, nézelődők vagy állatok. A gyermekeket, nézelődőket és állatokat tartsa legalább 15 m (50 ft) sugarú távolságban, a repülő tárgyak sérülést okozhatnak. A nézelődők is viseljenek védőszemüveget.
- **Működés közben mindig tartsa stabilan, két kézzel a fűkaszát. Helyezze az ujjait a fogantyúk köré.**
- **Kerülje a véletlenszerű indítást** – A fűkasza szállítása közben ne legyenek az ujjai a triggeren.
- **Ne működtesse a fűkaszát benzines vagy robbanékony környezetben.** A készülékben lévő motorok szikrákat képeznek, a szikrák pedig lángra gyúlhhatnak.
- **A fűkasza sérülése** – Ha a fűkasza idegen tárgyhöz ütődik, vagy valamibe beakad, akkor azonnal állítsa le a szerszámot, ellenőrizze, hogy nem sérült-e meg, és bármilyen sérülést javítson meg a további működtetés előtt. Ne működtesse törött védőburkolattal vagy pengével.
- **Ha a felszerelés rendellenesen vibrálni kezd, akkor azonnal állítsa le a motort, és ellenőrizze az okot.** A vibráció általánosságban problémára figyelmeztet. A laza penge vibrálhat, megrepedhet, eltérhet vagy lejöhet a fűkaszárol, amely súlyos vagy végzetes sérülést okozhat. Győződjön meg arról, hogy a vágóegység megfelelően van-e felszerelve, és biztonságosan van-e rögzítve. Ha a penge rögzítés után kilazul, azonnal cserélje ki. Soha ne használja a fűkaszát laza vágóegységgel.
- **A fűkasza feletti uralmának elvesztése miatt okozott sérülések kockázatának csökkentése érdekében soha ne dolgozzon létrán vagy más nem biztonságos támasztékon. Soha ne tartsa a vágóegységet derékmagasságon felül.**

- **Legyen stabil és kiegyensúlyozott testhelyzetben.** Ne hajoljon túl. A vágóegységet tartsa derékmagasság alatt. Tartsa távol testének minden részét a forgó vágóegységtől.
- Azonnal cserélje ki a repedt, sérült vagy kopott pengét, akkor is, ha a sérülés csak felületi repedéseket jelent. Az ilyen alkatrészek nagy sebességen darabokra törhetnek, és súlyos vagy végzetes sérülést okozhatnak.
- Működés közben ellenőrizze a vágóegységet rendszeresen, rövid időközönként, vagy azonnal, ha látható a vágás láthatóan megváltozik.
- **Amikor Ön felé közeledik valaki, állítsa le a motort és a vágóegységet. A penge egységek esetén fennáll a veszélye, hogy a nézelődőket eltalálja a mozgó penge, ha a penge lökést kap, vagy más váratlan reakció következik be.**
- **Figyelmeztesse a kezelőt a penge lökőerejére.**
 - A penge akkor kaphat lökést, ha olyan tárgyba ütközik, amelyet nem tud azonnal elvágni.
 - A penge lökése révén az egység és/vagy a kezelő bármely irányba elfordulhat, és egyensúlyát veszítheti.
 - A penge előzetes jel nélkül is lökőerőt fejt ki, ha a penge elakad, leáll vagy megakad.
 - A penge nagyobb valószínűséggel fejt ki lökőerőt, olyan területeken, ahol nehezen látható a vágandó anyag.
- **Ne csatlakoztasson pengét az egységre, amíg minden szükséges alkatrész megfelelően fel nincs szerelve. Amennyiben nem megfelelő alkatrészeket használ, akkor a penge lerepülhet, és súlyos sérüléseket okozhat a kezelőnek és/vagy nézelődőknek. A behajolt, repedt, törött vagy sérült pengét ártalmatlanítsa. Használjon éles pengét. A tompa penge nagyobb valószínűséggel akad el, és fejt ki lökőerőt.**
- A leálló penge sérülést okozhat, miközben még forog, miután a motor leállt, vagy megnyomta a triggeret. Tartsa meg az irányítást, amíg a penge teljesen abba nem hagyta a forgást.
- **Ne töltsé az akkumulátoregységet esőben vagy nedves helyiségekben.**
- Csak a lent felsorolt akkumulátoregységeket és töltőket használja:

AKKUMULÁTOREGYSÉG	TÖLTŐ
BA1120E, BA2240E, BA2800	CH2100E CH5500E

- **Az akkumulátoregységet ki kell venni, mielőtt kicselejtezi a készüléket.**

- **Az akkumulátorokat tűzbe dobni tilos!** Az akkumulátorok felrobbanhatnak. Ellenőrizze a lehetséges speciális ártalmatlanítási utasítások helyi kódját.
- **Ne nyissa ki, és ne rongálja meg az akkumulátort.** A felszabaduló elektrolit maró hatású, és sérülést okozhat a szemben vagy a bőrön. Lenyelve mérgező lehet.
- **Bánjon nagyon óvatosan az akkumulátorokkal, hogy ne zárja rövidre olyan vezetőképes anyagokkal, mint a gyűrűk, karkötők és kulcsok.** Az akkumulátor vagy a konduktor túlmelegedhet, és égési sérülést okozhat.
- **Cserealkatrészek - Javításkor használjon azonos EGO pótalkatrészeket.** Bármilyen másik tartozék vagy alkatrész használata megnöveli a sérülések kockázatát.
- **Az akkumulátorral működő szerszámokat nem kell hálózati aljzathoz csatlakoztatni; ezért mindig működőképes állapotban vannak.** Ügyeljen a lehetséges veszélyekre, akkor is, ha a szerszám nem működik. Legyen óvatos karbantartás és szervizelés közben.
- **A fűkasza szervizelése, tisztítása vagy anyagok eltávolítása előtt vegye ki, vagy húzza ki az akkumulátoregységet.**
- **Ne mossa tömlővel; ne kerüljön víz a motorba és az elektromos csatlakozásokba.**
- **Amennyiben olyan helyzet adódik, amely nem szerepel a jelen használati útmutatóban, akkor óvatosan és kellő mérlegeléssel cselekedjen.** Forduljon az EGO ügyfélszolgálathoz segítségért.
- **Őrizze meg ezeket az utasításokat.** Időnként olvassa át, és használja, amikor másokat a kéziszerszám használatára tanít be. Ha valakinek kölcsön adja a szerszámot, akkor adja át a használati utasítást is a helytelen használat és lehetséges sérülések elkerülése érdekében.

HU

MEGJEGYZÉS: KIEGÉSZÍTŐ BIZTONSÁGI SZABÁLYOK A FŰSZEGÉLYVÁGÓ HASZNÁLATI ÚTMUTATÓJÁBAN TALÁLHATÓK.

MŰSZAKI ADATOK

Vágásszélesség	30 cm	
Üresjáratú fordulatszám	5000/6000 min ⁻¹	
Súly	1,82 kg	
Mért hangteljesítményszint L _{WA}	96,5 dB(A) K=1,88 dB(A)	
Max. Hangnyomásszint a kezelő fülénél L _{PA}	84,5 dB(A) K=3 dB(A)	
Nivel de putere sonoră garantat L _{WA} (másurat în conformitate cu 2000/14/CE)	98 dB(A)	
Vibrații a _n	Elülső segédfogantyú	2,8 m/s ² k=1,6 m/s ²
	Hátsó fogantyú	3,1 m/s ² k=1,6 m/s ²

- A fenti paraméterek PH1400E meghajtófejjel felszerelve kerültek tesztelésre és mérésre.
- Valoarea totală declarată a vibrațiilor a fost măsurată în conformitate cu o metodă standard de testare și poate fi utilizată pentru compararea sculelor între ele;
- Valoarea totală declarată poate fi utilizată în evaluarea preliminară a expunerii.

OBSERVAȚIE: Vibrațiile emise în timpul utilizării efective a sculei electrice pot diferi față de valoarea celor declarate pentru scula utilizată; Pentru protejarea operatorului, utilizatorul trebuie să poarte mănuși și protecții auditive în timpul utilizării efective a produsului.

Javasolt penge

DENUMIRE PIESĂ	MODELLSZÁM
Fűkasza penge	ABB1203

CONȚINUTUL AMBALAJULUI

DENUMIRE PIESĂ	CANTITATE
Fűkasza alkatrész	1
Penge és penge tok szett	1
Védőburkolat	1
Védőburkolat tartozék (CSAK fűkasza fejjel való használatra)	1
Imbuszkulcs	1
Multifunkciós csavarkulcs	1
Manual de instrucțiuni	1

DESCRIERE

ISMERJE MEG A FŰKASZA ALKATRÉSZEIT (A. ábra)

1. Zárósapka
2. Fűkasza tengely
3. Védőburkolat
4. Penge
5. Penge tok
6. Vezetéktartó kapocs
7. Rögzítőcsavar
8. Szerelvényburkolat
9. Tengelyrögzítő lyuk
10. Külső perem
11. Multifunkciós csavarkulcs
12. Imbuszkulcs
13. Védőburkolat tartozék
(CSAK fűkasza fejjel való használatra)

⚠ FIGYELMEZTETÉS: Soha ne működtesse a szerszámot, ha a védőburkolat nincs megfelelően a helyén. A védőburkolatnak mindig a szerszámon kell lennie a használó védelme érdekében.

⚠ FIGYELMEZTETÉS: Amikor a szerszámot fűkaszként használja, és fűkasza fejjel van felszerelve, akkor a védőburkolat tartozékot fel kell szerelni a védőburkolatra. Amennyiben nem ezt teszi, akkor túl hosszú lehet a vágószál, és túlterheli a motort.

ÖSSZESZERELÉS

⚠ FIGYELMEZTETÉS: Ha bármely alkatrész sérült vagy hiányzik, akkor ne működtesse a terméket, amíg az alkatrészeket ki nem cserélik. Sérült vagy hiányzó alkatrészekkel való használat súlyos személyes sérülést okozhat.

⚠ FIGYELMEZTETÉS: Ne próbálja megváltoztatni a fűkaszázt, és ne készítsen hozzá tartozékokat, amelyek nem javasoltak ehhez a láncfűrészhez. Bármilyen módosítás vagy változtatás helytelen használatnak minősül, és veszélyes feltételeket teremthet, amely súlyos személyi sérüléssel végződhet.

⚠ FIGYELMEZTETÉS: Mindig viseljen kesztyűt, amikor a pengét vagy a burkolatot fel- vagy leszereli, vagy karbantartást végez a pengén. Legyen óvatos a pengével, és védje a kezét a penge vágásától.

⚠ FIGYELMEZTETÉS: Ne csatlakoztassa a meghajtófejet, amíg az összeszerelés nem teljes. Amennyiben ezt nem tartja be, akkor véletlenül bekapcsolhatja a készüléke, amely súlyos személyi sérülést okozhat.

MEGJEGYZÉS: A megfelelő szerelési sorrend alapján először a fűkasza alkatrészt szerelje fel, majd a pengét, és végül a meghajtófejet.

▲ FIGYELMEZTETÉS: Soha ne működtesse a szerszámot, ha a védőburkolat, az előlő fogantyú és a fogórúd nincs megfelelően a helyén. Amennyiben ezt nem tartja be, akkor súlyos személyi sérülést okozhat.

A VÉDŐBURKOLAT ÖSSZESZERELÉSE

- Emelje fel a fűkasza fejet, és fordítsa lefelé; illessze a két rögzítőfuratot a védőburkolatba a két csavarral, amelyek előre fel vannak szerelve a rögzítőlemezre. Ellenőrizze, hogy a védőburkolat belső felülete a fűkasza feje felé nézzen (C ábra).
- Rögzítse a védőburkolatot a helyére a csavarokkal és a mellékelt imbuszkulccsal (D ábra).

PENGE FELSZERELÉSE

- A pengét tokkal szállítjuk. Mielőtt felszereli a pengét a fűkaszára, a tokot le kell venni, ehhez akassza ki a rögzítőkapcsot a token lévő kampóból (E ábra).

Az E ábra alkatrészeinek leírását lásd lent:

E-1	Kampó
E-2	Rögzítőkapocs

- Fordítsa el a külső peremet, hogy a belső peremen lévő nyílást a tengelyrögzítő lyukkal szerelvényburkolathoz illessze (F ábra).
- Helyezze a mellékelt imbuszkulcsot az összeillesztett nyílásokba, hogy stabilizálóként használja (G ábra).

Az F és G ábra alkatrészeinek leírását lásd lent:

F-1	Szerelvényburkolat	F-3	Külső perem
F-2	Öszeillesztett tengelyrögzítő lyukak	G-1	Stabilizátor

- Helyezze a fűkasza fejet erős felületre a támasztás érdekében. Az egyik kezével fogja meg a fűkasza tengelyt, a másik kezével pedig fogja meg a mellékelt multifunkciós csavarkulcsot az anya kilazításához, amelynek iránya a külső peremen látható, és vegye le az anyát a külső peremről. Tegye el ezeket a visszaszereléshez (H ábra).
- Szerelje fel a pengét a motor tengelyre, a penge felülete a belső perem szélénél legyen. Folytassa a külső perem és anya felszerelését (I ábra). Kézzel húzza meg kissé az anyát az **ÓRAMUTATÓ JÁRÁSÁVAL ELLENKEZŐ IRÁNYBA**.

Az I ábra alkatrészeinek leírását lásd lent:

I-1	Belső perem széle	I-4	Külső perem
I-2	Motortengely	I-5	Penge
I-3	Csavar		

- Fordítsa el a külső perem szélét, hogy a belső perem nyílását a tengelyrögzítő lyukhoz illessze a szerelvényburkolaton, és helyezze a mellékelt csavarkulcsot az összeillesztett lyukba a stabilizálás érdekében, az előző 2. és 3. lépések szerint.
- Helyezze a fűkasza fejet erős felületre a támasztás érdekében. Az egyik kezével fogja meg a pengét, a másik kezével pedig fogja meg a mellékelt multifunkciós csavarkulcsot az anya ellenkező irányba történő meghúzásához, amelynek iránya a külső peremen látható (J ábra).

Védőburkolat tartozék használata

MEGJEGYZÉS: Amikor a szerszámot fűkaszaként használja, és fűkasza feje van felszerelve, akkor a védőburkolat tartozékot fel kell szerelni a védőburkolatra (K ábra).

Rögzítse a védőburkolat tartozékot a védőburkolatra, húzza meg a csavarokat a mellékelt csavarkulccsal. Amennyiben nem ezt teszi, akkor túl hosszú lehet a vágószál, és túlterheli a motort.

A FŰKASZA TARTOZÉK RÖGZÍTÉSE A MEGHAJTÓFEJRE

A fűkasza tartozékot EGO PH1400E meghajtófejhez tervezték.

Lásd az „**ALKATRÉS Z CSATLAKOZTATÁSA A MEGHAJTÓFEJHEZ**” fejezetet a PH1400E meghajtófej használati útmutatójában.

MŰKÖDTETÉS

▲ FIGYELMEZTETÉS: Ne hagyja, hogy a termékkel szerzett jártassága miatt óvatlanná váljon. Emlékezzon arra, hogy a másodperc töredéke alatt történő óvatlanság súlyos sérülést okozhat.

▲ FIGYELMEZTETÉS: Mindig viseljen oldalsó védőlemezzel ellátott védőszemüveget. Hallásvédővel együtt. Amennyiben nem ezt teszi, tárgyak repülhetnek a szemébe, és más komoly sérülések keletkezhetnek.

ALKALMAZÁSOK

A terméket az alábbi célokra használhatja:

- Amennyiben fűvet, dudvát, vadhajítást és bozótot vag, akkor legfeljebb 2 cm vastag szárazakat vágjon.

MEGJEGYZÉS: A szerszámot csak az előírt célokra használja. Bármilyen más használat helytelen használatnak minősül.

FŰKASZA TARTOZÉK HASZNÁLATA A MEGHAJTÓFEJEL

▲ FIGYELMEZTETÉS: Megfelelően öltözzön fel a sérülések kockázatának csökkentése érdekében, amikor a szerszámot működteti. Ne viseljen laza ruházatot vagy ékszereket. Viseljen védőszemüveget és fülvédőt; Viseljen erős, hosszú szárú nadrágot, cipőt és kesztyűt. Ne viseljen rövidnadrágot vagy szandált, és ne járjon mezítláb.

A biztonságos és jobb működés érdekében helyezze fel a válszíjat a vállán keresztben. A válszíjat kényelmes működési pozícióba állítsa. A fűkaszát mindig az egyik kezével a hátsó fogantyún és a másik kezével az első fogantyún tartsa. A szerszámot működtetés közben mindig erősen fogja. A fűkaszát kényelmes pozícióban tartsa, a hátsó fogantyú körülbelül csipőmagasságban legyen. Fogja meg, és a két lábán egyensúlyozzon.

Olyan testtartást vegyen fel, amelyben nem tudja elveszíteni az egyensúlyát a vágóegység visszarugása esetén (B ábra).

▲ FIGYELMEZTETÉS: A válszj gyorskioldó mechanizmus is veszélyes helyzetben. Ha vészhelyzet adódik, akkor azonnal vegye le a válláról, függetlenül attól, hogy van feltéve a szj.

A vadhajítás és bozót vágásához állítsa lejjebb a pengét, hogy daraboló hatása legyen. Úgy használja a fűkaszát, mint egy kaszát (lengesse jobbról balra) a talaj felett. Soha ne használja a vágóegységet derékmagasságon felül.

▲ FIGYELMEZTETÉS: Minél magasabban van a vágóegység a talajtól, annál nagyobb a kockázata annak, hogy a levágott darabok oldalra repülnek.

▲ FIGYELMEZTETÉS: Amikor fiatal hajtásokat vagy más fás anyagokat vág, amelyek átmérője legfeljebb 2 cm, akkor használja a penge bal oldalát a penge ütközése elkerülése érdekében. Ne próbáljon meg nagyobb átmérőjű fás anyagot vágni, mivel a penge elakadhat vagy elkezdheti rángatni a fűkaszát. Ez a penge vagy a fűkasza sérülését okozhatja, vagy Ön elveszítheti az uralmát a fűkasza felett, amelynek személyi sérülés lehet a vége.

▲ FIGYELMEZTETÉS: A fűkasza penge nem megfelelő használata repedést vagy törést okozhat.

A repülő alkatrészek súlyosan megsebesíthetik a kezelőt vagy a nézelődőket. A személyi sérülések kockázatának csökkentése érdekében mindenképpen tartsa be a következő óvintézkedéseket:

- Ne érjen kemény idegen tárgyakhoz, pl. kövekhez, vagy fém tárgyakhoz.
- Soha ne vágjon 2 cm-nél nagyobb átmérőjű fát vagy sövényt.

- Rendszeres időközönként ellenőrizze a pengét sérülések szempontjából. Sérült pengével ne folytassa a munkát.
- Rendszeresen élezze meg a pengét (ha érzékelhetően tompa), és szükség esetén egyensúlyozza ki (szakképzett szakszerviz szakember végezze el).

PENGE LÖKÉSE

Legyen rendkívül óvatos, amikor a pengét ezzel az egységgel használja. A penge lökése olyan reakció, amely akkor lép fel, ha a forgó penge hozzáér valamihez, és nem tud vágni. Amikor hozzáér valamihez, akkor a penge azonnal leáll, és „ellöki” az egységet attól a tárgytól, amelynek ütközött. Ez a reakció elég veszélyes ahhoz, hogy a kezelő elveszítse az uralmát az egység felett. A penge előzetes jel nélkül is lökőerőt fejthet ki, ha a penge elakad, leáll vagy megakad. Ez nagyobb valószínűséggel fordul elő olyan területeken, ahol nehezen látható a vágandó anyag. A könnyű és biztonságos vágás érdekében jobbról balra közelítse meg a fűkaszával a vágandó dudvát. Amennyiben váratlanul tárgyba vagy fatörzsbe ütközik, akkor ez a gyakorlatot minimalizálja a penge lökési reakcióját.

A sérült/kopott alkatrészek ellenőrzése minden használat előtt

Ellenőrizze a pengét, védőburkolatot és első segédfohantyút, és cserélje ki a repedt, behajlott vagy sérült alkatrészeket.

A penge széle idővel tompul. Javasoljuk, hogy fordítsa meg a pengét az élettartamának meghosszabbítása érdekében, és időnként élezze meg (szakképzett szakszerviz szakember végezze el), vagy szükség esetén cserélje ki.

Minden használat után közvetlenül tisztítsa meg a fűkaszát

Lásd a **KARBANTARTÁS** fejezetben lévő tisztítási utasításokat.

▲ FIGYELMEZTETÉS: Ellenőrizze, hogy a penge teljesen leállt-e, mielőtt megtisztítja vagy szervizeli a fűkaszát. Amennyiben ezt nem tartja be, akkor súlyos személyi sérülést okozhat.

A KÉSZÜLÉK INDÍTÁSA/LEÁLLÍTÁSA

Lásd „A MEGHAJTÓFEJ INDÍTÁSA/LEÁLLÍTÁSA” fejezetet a PH1400E meghajtófej használati útmutatójában.

KARBANTARTÁS

▲ FIGYELMEZTETÉS: Az egység ellenőrzése, tisztítása vagy szervizelése előtt állítsa le a motort, várjon, amíg minden mozgó alkatrész leáll, és vegye ki az akkumulátoregységet. A jelen utasítások be nem tartása súlyos személyi sérülést vagy anyagi kárt eredményezhet.

▲ FIGYELMEZTETÉS: Javitáskor használjon azonos pótalkatrészeket. Más alkatrészek használata veszélyt okozhat, vagy megrongálhatja a terméket. A biztonságosság és megbízhatóság biztosítása érdekében minden javítást szakképzett szerviztechnikus hajtsen végre.

▲ FIGYELMEZTETÉS: Mindig viseljen kesztyűt, amikor a pengét fel- vagy leszereli, vagy karbantartást végez a pengén. Legyen óvatos a pengével, és védje a kezét a penge vágásától.

ÁLTALÁNOS KARBANTARTÁS

A műanyag alkatrészek tisztításához ne használjon oldószereket. A legtöbb műanyag a vegyi oldószerek által deformálódás általi sérülésnek van kitéve, ezek megrongálhatják őket. Használjon tiszta ruhát a szennyeződés, por, olaj, zsír stb. eltávolításához.

AZ EGYSÉG TISZTÍTÁSA

- Vegye ki az akkumulátort.
- Minden használat után tisztítsa le a hulladékok, a beakadt fűvet a pengéről és a védőburkolatról egy puha kefével.
- Törölje le a szerszám felületét egy tiszta, kémileg szappanos oldattal megnedvesített ruhával.
- Használjon kis kefé vagy kis porszívó kefé a hátsó burkolat szellőzőnyílásainak megtisztításához.
- Tartsa akadályoktól szabadon a szellőzőnyílásokat.

Amikor a penge tompává válik, a penge mindkét szélé tompa, akkor kérjük, szakképzett szakszerviz szakemberrel éljeztesse meg, vagy szükség esetén cseréltesse ki új pengére.

PENGE CSERÉJE

▲ FIGYELMEZTETÉS: Az elkopott, repedt vagy megsérült penge eltörhet, és a szétröppenő penge darabjai veszélyesek lehetnek. A kilökődő tárgyak súlyos sérüléseket okozhatnak. Rendszeresen ellenőrizze a pengét, és ne működtesse a fűkaszát elkopott vagy sérült pengével.

▲ FIGYELMEZTETÉS: Használjon megfelelő védőszemüveget a penge levételénél, élezésénél és visszahelyezésénél.

A penge levétele

1. Vegye ki az akkumulátort.
2. Fordítsa el a külső perem szélét, hogy a belső perem nyílását a tengelyrögzítő lyukhoz illeszse a szerelvényburkolaton, és helyezze a mellékelt csavarkulcsot az összeillesztett lyukakba a stabilizálás érdekében, az előző „**A PENGE FELSZERELÉSE**” fejezet 2. és 3. lépései szerint.

3. Helyezze a fűkasza fejet erős felületre a támasztás érdekében. Az egyik kezével fogja meg a pengét, a másik kezével pedig fogja meg a mellékelt multifunkciós csavarkulcsot az anya kilátásához, amelynek iránya a külső peremen látható, és vegye le az anyát, a külső peremet és az elkopott pengét (L ábra).
4. Ellenőrizze és cserélje ki a belső peremet és a penge burkolatot, ha azok elhasználódtak (M ábra).

Az M ábra alkatrészeinek leírását lásd lent:

M-1	Motor tengely	M-5	Belső perem
M-2	Belső perem	M-6	Csavar
M-3	Perem burkolat	M-7	Perem nyílása
M-4	Penge		

5. Szerelje fel a pengét a motor tengelyre az M ábrán látható módon. Kövesse „**A PENGE FELSZERELÉSE**” fejezet 5., 6. és 7. lépéseit.

SEBESSÉGVÁLTÓ OLAJOZÁSA

A szerelvényburkolatban lévő sebességváltót időnként be kell olajozni kenőanyaggal. Ellenőrizze a szerelvényburkolat kenőanyag szintjét minden 50. működési óra után, úgy, hogy leveszi a burkolat oldalán lévő rögzítőcsavart.

Ha nem lát kenőanyagot a burkolat oldalán, akkor kövesse a lenti lépéseket, hogy feltöltsen a térfogat 3/4-éig kenőanyaggal.

Ne töltsen fel teljesen a sebességváltót.

1. Tartsa egyenesen a fűkaszát, hogy a rögzítőcsavar felfelé nézzen (N ábra).
2. Használja a mellékelt multifunkciós csavarkulcsot a rögzítőcsavar meglazításához és levételéhez.
3. Használjon zsírozó fecskendő (nem tartozék), hogy kenőanyagot vigyen fel a csavar nyílásra.
4. Befecskendezés után húzza meg a rögzítőcsavart.

AZ EGYSÉG TÁROLÁSA

- Vegye ki az akkumulátoregységet a szerszámból.
- Viseljen kesztyűt a szerszám alaposan tisztításához.
- Szerelje fel a penge tokot a pengére a biztonságos tárolás érdekében (O ábra).
- Vegye le a fűkasza alkatrészt a meghajtófejről, és szükség esetén helyezze fel a zárósapkát a tartozék tengelyre.
- Az egységet száraz, jól szellőző, elzárt vagy magas helyen tárolja, ahol gyermekek nem érik el. Ne tárolja az egységet benzinnel vagy más vegyszerek mellett.

A környezet védelme



Ne dobja az elektromos felszerelést, az akkumulátor töltőt és az akkumulátorokat/újratölthető akkumulátorokat a háztartási hulladékok közé!

Az elektromos és elektronikus berendezések hulladékairól szóló 2012/19/EU európai törvény, amely már nincs érvényben, és az 2006/66/EK európai törvény értelmében a sérült vagy elhasznált akkumulátoregységeket/akkumulátorokat külön kell gyűjteni.

Ha az elektromos berendezéseket talajfeltöltési vagy árokbetömési célokra használják, olyan veszélyes anyagok kerülhetnek belőlük a talajvízbe, majd onnan a táplálkozási láncba, amelyek veszélyeztetik az egészséget.

EK MEGFELELŐSÉGI NYILATKOZAT



Mi, a EGO EUROPE LTD.

Wahlwiesenstrasse 1, D-71711 Steinheim an der Murr
Deutschland

Kijelentjük, hogy az **BCA1200 56 V lítium-ion vezeték nélküli fűkasza tartozék** termék PH1400E meghajtófejjel van felszerelve.

a következő irányelvekben előírt egészségügyi és biztonsági követelményeknek:

2006/42/EK, 2014/30/EU, 2011/65/EU, 2000/14/EK

A standardokat és műszaki adatokat itt nézheti meg:

EN ISO 11806-1, EN 60745-1, EN 55014-1, EN 55014-2

Mért hangteljesítményszint: 96,5 dB(A).

Garantált hangteljesítményszint: 98 dB(A).

Peter Melrose
Az EGO Europe GmbH
ügyvezető igazgatója

Dong Jianxun
Chervon minőségbiztosítási vezetője

* (A CHERVON felhatalmazott képviselője és a műszaki dokumentáció felelőse)

01/12/2016

HIBAELHÁRÍTÁS

PROBLÉMA	A PROBLÉMA OKA	MEGOLDÁS
A fűkasza nem indul el.	<ul style="list-style-type: none"> ■ Az akkumulátoregység nincs csatlakoztatva a meghajtófejhez. ■ Nincs elektromos kapcsolat a meghajtófej és az akkumulátoregység között. ■ Az akkumulátoregység lemerült. ■ A kapcsoló gomb és a trigger nem egyidejűleg van megnyomva. 	<ul style="list-style-type: none"> ■ Csatlakoztassa az akkumulátoregységet a meghajtófejhez. ■ Vegye ki az akkumulátoregységet, ellenőrizze a csatlakozást, és helyezze vissza az akkumulátoregységet, amíg a helyén nincsen. ■ Töltse fel az akkumulátoregységet EGO a jelen útmutatóban megadott töltővel ■ Nyomja meg és tartsa lenyomva a kapcsoló gombot, majd oldja ki a triggert a fűkasza bekapcsolásához.
A fűkasza leáll vágás közben.	<ul style="list-style-type: none"> ■ A motor túlterhelt ■ Az akkumulátoregység vagy a meghajtófej túl forró. ■ Az akkumulátoregység ki van véve a szerszámból. ■ Az akkumulátoregység lemerült. 	<ul style="list-style-type: none"> ■ A motor újra működőképes, ha a terhet eltávolítja. A folyamatos működés érdekében csökkentse a meghajtófej teljesítményét. ■ Hagyja kihűlni az akkumulátoregységet vagy a meghajtófejet 152°F (67 °C) alatti hőmérsékletre. ■ Helyezze vissza az akkumulátoregységet. ■ Töltse fel az akkumulátoregységet EGO a jelen útmutatóban megadott töltővel

GARANCIA

HU

EGO GARANCIÁLIS FELTÉTELEK

Kérjük, látogasson el az egopowerplus.com oldalra, ahol megtalálja a részletes EGO garanciális feltételeket.

CITIȚI TOATE INSTRUCȚIUNILE!



CITIȚI MANUALUL DE INSTRUCȚIUNI

⚠ Riscuri reziduale! Persoanele cu dispozitive electronice precum stimuloatoare cardiace ar trebui să-și consulte medicul (medicii) înainte de a utiliza acest produs. Utilizarea unui echipament electric în imediata apropiere a unui stimulator cardiac poate cauza interferențe sau pana stimulatorului.

⚠ AVERTISMENT: Pentru siguranța și fiabilitatea produsului, toate reparațiile ar trebui efectuate de către un tehnician de service autorizat.

SIMBOLURI PRIVIND SIGURANȚA

Scopul simbolurilor privind siguranța este să vă atragă atenția asupra pericolelor posibile. Simbolurile privind siguranța și explicațiile furnizate cu acestea merită atenția și înțelegerea dumneavoastră. Simbolurile de avertizare, ele singure, nu elimină niciun pericol. Instrucțiunile și avertismentele pe care le oferă nu pot înlocui măsurile corecte de prevenire a accidentelor.

⚠ AVERTISMENT: Asigurați-vă că ați citit și înțelegiți toate instrucțiunile privind siguranța din acest Manual de utilizare, inclusiv toate simbolurile de alertă privind siguranța precum "PERICOL," "AVERTISMENT," și "ATENȚIE" înainte de a utiliza această sculă. Nerespectarea tuturor avertismentelor și instrucțiunilor poate duce la electrocutare, incendiu și/sau răniiri grave.

SEMNIFICAȚIA SIMBOLURILOR

RO

⚠ SIMBOL DE AVERTIZARE PRIVIND

SIGURANȚA: Indică PERICOL, AVERTISMENT, sau ATENȚIE. Poate fi utilizat împreună cu alte avertismente sau pictograme.



⚠ AVERTISMENT: Operarea oricăror scule electrice poate rezulta în proiectarea înspre ochii dumneavoastră a unor obiecte străine, ceea ce poate duce la vătămări grave ale ochilor. Înainte de a începe să utilizați scula electrică, întotdeauna purtați ochelari de protecție cu apărători laterale și vizieră facială completă când este nevoie. Vă recomandăm să purtați o Vizieră lată de protecție peste ochelarii de vedere sau ochelari de protecție standard cu apărători laterale.

INSTRUCȚIUNI PRIVIND SIGURANȚA

Această pagină descrie simbolurile de siguranță ce pot apărea pe acest produs. Citiți, înțelegeți, și respectați toate instrucțiunile de pe mașină înainte de asamblare și operare.

	Alertă privind siguranța	Indică un risc posibil de vătămare personală.
	Citiți manualul de instrucțiuni	Pentru a reduce riscul de rănire, utilizatorul trebuie să citească și să înțeleagă manualul de instrucțiuni înainte de a utiliza acest produs.
	Purtați echipament de protecție oculară	Purtați întotdeauna ochelari de protecție sau ochelari de protecție cu apărători laterale și o vizieră facială completă când utilizați acest produs.
	Purtați echipament de protecție auditivă	Zgomotul de la trimmerul pentru tufișuri vă poate afecta auzul. Întotdeauna purtați protecții auditive (dopuri de urechi sau antifoane) pentru a vă proteja auzul.
	Purtați echipament de protecție a capului	Purtați o cască de protecție aprobată pentru a vă proteja capul.
	Purtați mănuși de protecție	Protejați-vă mâinile cu mănuși când manevrați ferăstrăul și lanțul de ferăstrău. Mănușile super rezistente, nealunecoase vă îmbunătățesc aderența și vă protejează mâinile.
	Purtați încălțăminte de protecție	Purtați încălțăminte antiderapantă când utilizați acest echipament.
	Lățime de tăiere	Lățimea maximă de tăiere a trimmerului pentru tufișuri

	Ferțiți-vă de propulsarea lamei	Avertizați operatorul asupra pericolului propulsiei lamei.
	Ricoșeu	Obiectele aruncate pot ricoșa și cauza vătămări corporale și pagube.
	Țineți trecătorii la distanță	Asigurați-vă că terții și animalele de companie se află o distanță de cel puțin 15m de trimmerul pentru tufișuri când acesta este în funcțiune.
	Fără lamă rotundă	Nu instalați lame de tăiere rotunde.
	A nu se expune la ploaie	Nu utilizați acest produs în ploaie și nu-l lăsați în exterior în timp ce plouă.
	CE	Acest produs este în conformitate cu directivele europene aplicabile.
	DEEE	Deșeurile produselor electrice nu trebuie să fie eliminate împreună cu deșeurile menajere. Predați-le unui punct de reciclare autorizat.
	Zgomot	Nivelul puterii sunetului garantat. Emisii sonore în mediul înconjurător conform Directivei comunitare europene.
V	Volt	Voltaj
mm	Milimetru	Lungime sau dimensiuni
cm	Centimetru	Lungime sau dimensiuni
in.	Inch	Lungime sau dimensiuni
kg	Kilogram	Greutate

INSTRUCȚIUNI IMPORTANTE PRIVIND SIGURANȚA

⚠ AVERTISMENT: Când utilizați trimmer cu fir, trebuie să se respecte întotdeauna instrucțiunile de bază privind securitatea, inclusiv următoarele, pentru a se reduce riscul de incendiu, șoc electric și vătămare.

CITIȚI CU ATENȚIE ÎNAINTE DE UTILIZARE

PĂSTRAȚI PENTRU CONSULTARE ULTERIOARĂ

⚠ PERICOL: Nu vă bazați pe izolația electrică a sculei împotriva electroșocurilor. Pentru a reduce riscul de electrocutare nu utilizați niciodată mașina în vecinătatea firelor sau cablurilor (electrice, etc.) care ar putea transporta curent electric.

⚠ ATENȚIE: Purtați protecție personală auditivă adecvată în timpul utilizării. În anumite condiții și durate de utilizare, zgomotul de la acest produs poate contribui la pierderea auzului.

INSTRUIREA

- Citiți cu atenție instrucțiunile. Familiarizați-vă cu comenzile și cu utilizarea corectă a mașinii.
- Nu permiteți copiilor, persoanelor cu capacități fizice, senzoriale sau mentale reduse ori lipsite de experiență și cunoștințe sau persoanelor nefamiliarizate cu aceste instrucțiuni să utilizeze mașina.
- Rețineți că operatorul sau utilizatorul este responsabil de accidentele sau pericolele la care sunt supuse alte persoane sau bunurile acestora.

Pregătirea

- Nu utilizați niciodată mașina în timp ce sunt oameni, mai ales copii, sau animale în apropiere.
- Purtați în permanență echipament de protecție oculară și încălțăminte rezistentă când utilizați mașina.
- Distanța dintre produs și trecători trebuie să fie de cel puțin 15m.

Utilizarea

- Utilizați mașina numai pe timp de zi sau în condiții de lumină artificială bună.
- Nu puneți niciodată mașina în funcțiune cu apărătorile sau scuturile deteriorate sau fără apărători ori scuturi montate pe poziție.
- Porniți motorul numai atunci când mâinile și picioarele sunt la distanță de elementele de tăiere.
- Întotdeauna deconectați mașina de la alimentare (de ex. scoateți ștecherul din priză sau îndepărtați dispozitivul de dezactivare).
 - de fiecare dată când lăsați mașina nesupravegheată;
 - înainte de eliminarea unui blocaj;
 - înainte de verificarea, curățarea sau orice intervenție adusă mașinii;
 - după lovirea unui obiect străin;
 - ori de câte ori mașina începe să vibreze anormal.

RO

- Feriți-vă de rănirea mâinilor și a picioarelor cu elementele de tăiere.
- Asigurați-vă întotdeauna că fantele de aerisire nu sunt blocate de reziduuri.

Întreținerea și depozitarea

- Deconectați mașina de la alimentare (de ex. scoateți ștecherul din priză, îndepărtați dispozitivul de dezactivare) înainte de a efectua orice lucrări de întreținere sau curățare.
- Utilizați numai piese de schimb și accesorii recomandate de producător.
- Inspectați și efectuați întreținerea mașinii cu regularitate. Dați aparatul la reparat numai unui reparator autorizat.
- Când nu este utilizată, nu lăsați mașina la îndemâna copiilor.

Avertizări suplimentare de siguranță

- **Țineți copiii la distanță** - Toți vizitatorii trebuie ținuți la cel puțin 15m de zona de lucru.
- **Evitați mediile periculoase.**
- **Întotdeauna opriți trimmerul sau detașați setul de acumulatori de fiecare dată când îl lăsați nesupravegheat.**
- **Nu utilizați mașina în ploaie.**
- **Îmbrăcați-vă corespunzător** - Nu purtați haine largi sau bijuterii. Acestea pot fi prinse în piesele aflate în mișcare. Utilizarea mănușilor și încălțărilor rezistente este recomandată când lucrați în aer liber. Purtați echipament de acoperire a părului, care să țină strâns părul lung.
- **Utilizați ochelari de protecție** - Întotdeauna utilizați o mască de față sau o mască de praf dacă operația creează praf.
- **Utilizați scula adecvată** - Nu utilizați scula în alt scop decât cel prevăzut.
- **Nu forțați trimmerul pentru tufișuri** - Acesta va efectua lucrarea mai bine și în siguranță mai mare, la viteza pentru care a fost proiectat.
- **Fiți vigilenți** - Urmăriți ceea ce faceți. Apelați la bunul simț. Nu utilizați trimmerul când sunteți obosiți.
- **Nu operați trimmerul pentru tufișuri dacă sunteți sub influența băuturilor alcoolice sau a drogurilor.**
- **Păstrați apărătorile instalate și în stare de funcționare.**
- **Țineți mâinile și picioarele departe de zona de tundere.**
- **Depozitați trimmerul pentru tufișuri** - Când trimmerul nu este utilizat, acesta trebuie depozitat în interior, într-un loc uscat și la înălțime, sau închis cu cheia cu setul de acumulatori detașat - inaccessibil copiilor.

- **Întrețineți trimmerul pentru tufișuri cu grijă** - Păstrați accesoriul de tăiere curat pentru performanțe optime și pentru a reduce riscul de rănire. Respectați instrucțiunile privind schimbarea accesoriilor. Mențineți mânerul uscat, curate și fără ulei sau unsoare.
- **Verificați piesele avariate** - Înainte de a continua utilizarea trimmerului, apărătoarea sau altă piesă care este deteriorată trebuie verificată cu atenție pentru a determina dacă va funcționa corespunzător și își va îndeplini funcția desemnată. Verificați coaxialitatea pieselor în mișcare, neobstrucționarea pieselor în mișcare, defectări ale pieselor, montajul și orice altă situație care poate afecta funcționarea sculei. Apărătoarea sau altă piesă care este deteriorată trebuie reparată corect sau înlocuită de către un centru de service autorizat, cu excepția cazului când se indică contrariul în acest manual de instrucțiuni.
- **Asigurați-vă că toate elementele de fixare sunt instalate și securizate. Asigurați-vă că scutul accesoriului de tăiere este fixat corect și în poziția recomandată de fabricant.**
- **Curățați zona de tuns înainte de fiecare utilizare.** Îndepărtați toate obiectele, cum ar fi pietre, sticlă spartă, cuie, sârmă sau fire care pot fi aruncate sau se pot încurca în accesoriul de tăiere. Îndepărtați din zonă copiii, trecătorii și animalele de companie. Ca distanță minimă, mențineți toți copiii, trecătorii și animalele de companie în afara unei raze de 15 m (50ft); chiar și în afara razei de 15 m (50 ft) poate exista riscul obiectelor aruncate. Trecătorii trebuie încurajați să poarte ochelari de protecție.
- **Întotdeauna țineți trimmerul pentru tufișuri cu fermitate și cu ambele mâini pe mânere pe durata utilizării. Înfășurați-vă degetele și degetele mari în jurul mânerelor.**
- **Evitați pornirea accidentală** - Nu transportați trimmerul cu degetul pe trăgaci.
- **Nu utilizați trimmerul pentru tufișuri în atmosfere cu aburi de benzină sau explozive.** În aceste aparate, este normal ca motoarele să producă scântei, și scântele pot aprinde substanțele volatile.
- **Avarii ale trimmerului** - Dacă loviți un obiect străin cu trimmerul sau se încurcă, opriți imediat scula, detașați setul de acumulatori de trimmerul cu fir, verificați avariile și asigurați-vă că orice defect este reparat înainte de a încerca să reutilizați trimmerul. Nu utilizați trimmerul dacă apărătoarea sau lama este spartă.

- Dacă echipamentul începe să producă vibrații anormale, opriți motorul și identificați imediat cauza. Vibrațiile sunt în general semnul unor probleme. O lamă slăbită poate vibra, se poate fisura, se poate rupe sau să se detașeze de trimmer, putând produce răni grave sau fatale. Asigurați-vă că accesoriul de tăiere este instalat corespunzător și este fixat în siguranță. Dacă lama se slăbește după fixarea sa în poziție, înlocuiți-o imediat. Nu utilizați niciodată un trimmer cu un accesoriu de tăiere slăbit.
- Pentru a reduce riscul de rănire datorat pierderii controlului, nu lucrați niciodată stând pe o scară sau pe orice alt suport nesigur. Nu țineți niciodată capul de tăiere la înălțime deasupra taliei.
- Păstrați-vă stabilitatea și echilibrul. Nu încercați să ajungeți în locuri inaccesibile. Ține elementul de tăiere sub nivelul taliei. Țineți toate părțile corpului dumneavoastră la distanță de accesoriul rotativ de tăiere.
- Înlocuiți imediat o lamă fisurată, avariată sau uzată, chiar dacă defectul se limitează la fisuri superficiale. Astfel de accesorii se pot sparge la viteză mare și pot cauza răni grave sau fatale.
- Verificați accesoriul de tăiere la intervale scurte regulate în timpul utilizării, sau imediat dacă observați o modificare vizibilă a modului de tăiere.
- Dacă cineva se apropie de dumneavoastră, opriți imediat motorul și accesoriul de tăiere. În cazul modelelor cu lamă, există un risc sporit la adresa trecătorilor de a fi loviți cu lama în mișcare în cazul unei propulsări ale lamei sau alte reacții neașteptate ale lamei.
- Avertizați operatorul asupra pericolului propulsiei lamei.
 - Propulsarea lamei poate avea loc când lama rotativă intră în contact cu un obiect care nu este tăiat imediat.
 - Propulsarea lamei poate să fie suficient de violentă încât să cauzeze propulsarea sculei și/sau a operatorului în orice direcție, și eventual poate cauza pierderea controlului asupra trimmerului.
 - Propulsarea lamei poate avea loc fără avertisment dacă lama întâmpină dificultăți, se blochează sau este prinsă.
 - Propulsarea are șanse mai mari să apară în zone unde materialul ce trebuie tăiat este greu de văzut.
- Nu instalați lama pe un trimmer fără a instala corect toate piesele necesare. Neutilizarea componentelor adecvate poate cauza proiectarea lamei și rănirea grave a operatorului și/sau a trecătorilor. Eliminați lamele îndoite, exfoliate, crăpate, fisurate sau avariate în vreun fel. Utilizați o lamă ascuțită. O lamă tocită are șanse mai mari să provoace dificultăți și recul.

- O lamă de debitare poate cauza răni în cazul care continuă să se rotească după oprirea motorului sau eliberarea trăgaciului. Mențineți un control adecvat asupra trimmerului până la oprirea completă a lamei.
- Nu încărcați setul de acumulatori în condiții de ploaie sau de umezeală.
- Utilizați numai seturi de acumulatori și încărcătorii de mai jos:

SET DE ACUMULATORI	ÎNCĂRCĂTOR
BA1120E, BA2240E, BA2800	CH2100E CH5500E

- Setul de acumulatori trebuie scos din aparat înainte de eliminarea acestuia.
- Nu eliminați acumulatorii aruncându-i în foc. Celulele riscă să explodeze. Verificați normele locale privind eventualele instrucțiuni speciale de eliminare.
- Nu defaceți sau să mutilați acumulatorul. Electrolitul eliberat este coroziv și poate afecta ochii și pielea. Acesta poate fi toxic dacă este înghițit.
- Atenție când manevrați acumulatorii pentru a scurtcircuita acumulatorul cu materiale conductoare precum inele, brățări și chei. Acumulatorul sau conductorul se pot supraîncălzi și cauza arsuri.
- Piesele de schimb - În cazul operațiilor de service, utilizați numai piese de schimb EGO identice. Utilizarea oricăror alte accesorii sau componente poate crește riscul de rănire.
- Sculele electrice alimentate cu baterii nu trebuie să fie racordate la o priză electrică, de aceea, acestea sunt întotdeauna în stare de funcționare. Atenție la eventualele riscuri chiar și când scula nu este în funcțiune. Aveți grijă când efectuați operații de întreținere sau de service.
- Îndepărtați sau deconectați setul de acumulatori înainte de a efectua operațiuni de service, de a curăța sau de a îndepărta materiale din trimmerul pentru tufișuri.
- Nu spălați trimmerul cu furtunul de grădină; evitați pătrunderea apei în motor și în conexiunile electrice.
- În cazul situațiilor care nu sunt adresate în acest manual, utilizați grijă și raționament. Contactați centrul de service pentru clienți EGO pentru asistență.

RO

- **Păstrați aceste instrucțiuni.** Consultați-le frecvent și utilizați-le pentru a instrui alte persoane care ar putea utiliza această sculă electrică. Dacă împrumutați cuiva această sculă, împrumutați-i și aceste instrucțiuni pentru a preveni utilizarea inadecvată a produsului și posibile răni.

NOTĂ: CONSULTAȚI MANUALUL DE INSTRUCȚIUNI AL CAPULUI DE ALIMENTARE PENTRU REGULI SUPPLEMENTARE DE SIGURANȚĂ SPECIFICE

SPECIFICAȚII

Lățime de tăiere	30 cm	
Turație la mers în gol	5000/6000 min ⁻¹	
Greutate (fără set de acumulatori)	1,82 kg	
Nivel de putere sonoră măsurat L _{WA}	96,5 dB(A) K=1,88 dB(A)	
Max. Nivel de presiune sonoră la urechea operatorului L _{PA}	84,5 dB(A) K=3 dB(A)	
Nivel de putere sonoră garantată L _{WA} (conform 2000/14/CE)	98 dB(A)	
Vibrații a _n	Mâner frontal de operare	2,8 m/s ² k=1,6 m/s ²
	Mâner posterior	3,1 m/s ² k=1,6 m/s ²

- Parametrii de mai sus sunt testați și măsurați când scula este echipată cu capul de alimentare PH1400E;
- Valoarea totală declarată a vibrațiilor a fost măsurată în conformitate cu o metodă standard de testare și poate fi utilizată pentru compararea sculelor între ele;
- Valoarea totală declarată poate fi utilizată în evaluarea preliminară a expunerii.

OBSERVAȚIE: Vibrațiile emise în timpul utilizării efective a sculei electrice pot diferi față de valoarea celor declarate pentru scula utilizată; Pentru protejerea operatorului, utilizatorul trebuie să poarte mănuși și protecții auditive în timpul utilizării efective a produsului.

Lamă recomandată

DENUMIRE PIESĂ	NUMĂR MODEL
Lamă trimmer de tuns tufișuri	ABB1203

CONȚINUTUL AMBALAJULUI

DENUMIRE PIESĂ	CANTITATE
Accesoriu trimmer pentru tufișuri	1
Set Lamă și scut de lamă	1
Apărătoare	1
Accesoriu apărătoare (A se utiliza NUMAI cu capul trimmerului)	1
Cheie hexagonală	1
Cheie multifuncțională	1
Manual de instrucțiuni	1

DESCRIERE

DESCRIEREA TRIMMERULUI DUMNEAVOASTRĂ PENTRU TUFIȘURI (Fig. A)

1. Dop
2. Tijă trimmer pentru tufișuri
3. Apărătoare
4. Lamă
5. Scut lamă
6. Sârmă de prindere
7. Șurub de etanșeizare
8. Carcasă angrenaj
9. Gaură de blocare tijă
10. Flanșă exterioră
11. Cheie multifuncțională
12. Cheie hexagonală
13. Accesoriu apărătoare
(A se utiliza NUMAI cu capul trimmerului)

⚠️ AVERTISMENT: Nu utilizați niciodată scula fără apărătoarea bine fixată. Apărătoarea trebuie să fie întotdeauna instalată pe sculă pentru a proteja utilizatorul.

⚠️ AVERTISMENT: Când scula este utilizată ca și trimmer cu fir, echipată cu un cap de trimmer, accesoriul apărătoării trebuie montat pe apărătoare. Nerespectarea acestor instrucțiuni poate duce la un fir de tăiere excesiv de lung și la suprasolicitarea motorului.

AȘAMBLAREA

⚠️ AVERTISMENT: În caz de piese avariate sau care lipsesc, nu utilizați acest produs dacă piesele nu sunt înlocuite. Utilizarea acestui produs cu piese avariate sau lipsă poate rezulta în vătămări personale grave.

⚠️ AVERTISMENT: Nu încercați să modificați acest produs sau să creați accesorii nerecomandate pentru acest trimmer cu fir. Orice alterare sau modificare este considerată utilizare greșită și poate duce la condiții periculoase ce pot rezulta în vătămări personale grave.

⚠️ AVERTISMENT: Întotdeauna protejați-vă mâinile purtând mănuși rezistente când instalați sau îndepărtați lama ori când efectuați orice operație de întreținere asupra lamei de tăiere. Atenție la lama și protejați-vă mâinile pentru a nu fi rănite de lamă.

⚠️ AVERTISMENT: Nu conectați capul de alimentare dacă asamblarea nu este terminată. Nerespectarea acestei instrucțiuni poate duce la pornirea accidentală și la eventualele accidentări grave.

OBSERVAȚIE: Ordinea corectă de asamblare a accesoriului de trimmer pentru tufișuri, este montarea mai întâi a apărătorii, apoi a lamei, și la final atașarea capului de alimentare.

⚠️ AVERTISMENT: Nu utilizați niciodată scula fără apărătoare și fără mânerul frontal de operare cu bariera instalată ferm în poziție. Nerespectarea acestei instrucțiuni poate duce la eventualele accidentări grave.

ATAȘAREA APĂRĂTORII

1. Ridicați capul trimmerului și amplasați-l cu fața în jos; aliniați cele două găuri de montare din apărătoare cu cele două bolțuri pre-asamblate de pe placa de prindere. Asigurați-vă că suprafața internă a apărătorii este îndreptată înspre capul trimmerului de tăiat tufișuri (Fig. C).
2. Fixați apărătoarea cu ajutorul bolțurilor furnizate și a cheii hexagonale (Fig. D).

INSTALAREA LAMEI

1. Lama este furnizată cu un scut. Înainte de a monta lama pe trimmer, scutul trebuie îndepărtat prin desfacerea sărmei de prindere de pe cârligul situat pe scut (Fig. E).

Fig. E pentru descrierea pieselor consultați tabelul de mai jos:

E-1	Cârlig
E-2	Sârmă de prindere

2. Rotiți flanșa exterioră pentru a alinia canelura din flanșa interioară cu orificiul de blocare a tijeii din cutia de viteze (Fig. F).
3. Introduceți cheia hexagonală furnizată în orificiile aliniat pentru a se comporta ca un stabilizator (Fig. G).

Fig. F și G pentru descrierea pieselor consultați tabelul de mai jos:

F-1	Cutie de viteze	F-3	Flanșă exterioră
F-2	Orificii aliniat de blocare a tijeii	G-1	Stabilizator

4. Pentru suport, sprijiniți capul trimmerului pentru tufișuri de o suprafață solidă. Cu o mână apucând de tija trimmerului, utilizați cealaltă mână pentru a apuca cheia multifuncțională furnizată pentru a slăbi piulița în direcția săgeții marcată pe flanșa exterioră și îndepărtați piulița și flanșa exterioră. Păstrați-le pentru reasamblare (Fig. H).

5. Montați lama pe axul motorului, asigurându-vă că suprafața lamei este la același nivel cu suprafața proeminenței flanșei interioare. Continuați montarea flanșei exterioare și a piuliței (Fig. I). Strângeți în prealabil piulița în **SENS ANTIORAR** cu mâna.

Fig. I pentru descrierea pieselor consultați tabelul de mai jos:

I-1	Proeminență flanșă interioară	I-4	Flanșă exterioră
I-2	Ax motor	I-5	Lamă
I-3	Piuliță		

6. Rotiți flanșa exterioră pentru a alinia canelura din flanșa interioară cu orificiul de blocare a tijeii din cutia de viteze și introduceți cheia hexagonală furnizată în orificiile aliniat pentru a se comporta ca un stabilizator conform indicațiilor din pașii precedenți 2 și 3 ilustrați.
7. Pentru suport, sprijiniți capul trimmerului pentru tufișuri de o suprafață solidă. Cu o mână apucând de lamă, utilizați cealaltă mână pentru a apuca cheia multifuncțională furnizată pentru a strânge piulița în direcția opusă săgeții marcată pe flanșa exterioră (Fig. J).

Utilizarea accesoriului apărătoare

OBSERVAȚIE: Când scula este utilizată ca și trimmer cu fir, echipată cu un cap de trimmer, accesoriul apărătorii trebuie montat pe apărătoare (Fig. K).

Fixați accesoriul apărătoare pe apărătoare strângând cele trei șuruburi cu cheia hexagonală furnizată. Nerespectare acestor instrucțiuni poate duce la un fir de tăiere excesiv de lung și la suprasolicitarea motorului.

CONECTAREA ACCESORIULUI DE TRIMMER PENTRU TUFIȘURI LA CAPUL DE ALIMENTARE

Acest accesoriu de trimmer pentru tufișuri este conceput pentru a fi utilizat cu Capul de alimentare EGO Power PH1400E.

Consultați secțiunea privind “ **INSTALAREA UNUI ACCESORIU LA CAPUL DE ALIMENTARE** ” din manualul de instrucțiuni al capului de alimentare PH1400E.

FUNCȚIONAREA

⚠️ AVERTISMENT: Nu permiteți ca familiarizarea cu acest produs să vă facă neglijent. Amintiți-vă că o fracțiune de secundă de neglijență este suficientă pentru a provoca vătămări grave.

⚠️ AVERTISMENT: Purtați întotdeauna ochelari de protecție cu apărători laterale. Împreună cu protecții auditive. Nerespectarea acestei instrucțiuni ar putea avea ca rezultat proiectarea în ochi a obiectelor și alte posibile vătămări grave.

APLICAȚII

Puteți utiliza acest produs în scopul menționat mai jos:

- Tăierea ierburilor, a buruienilor, tufișurilor și arbuștilor crescuți fără control, lăstarilor tineri subțiri cu diametrul de maxim 2cm.

OBSERVAȚIE: Scula trebuie utilizată numai în scopul pentru care a fost proiectată. Orice altă utilizare este considerată a fi caz de utilizare necorespunzătoare.

UTILIZAREA TRIMMERULUI PENTRU TUFIȘURI CU CAPUL DE ALIMENTARE

⚠️ AVERTISMENT: Îmbrăcați-vă corespunzător pentru a reduce riscul de rănire când utilizați această sculă. Nu purtați haine largi sau bijuterii. Purtați echipament de protecție/oculari și auditiv/pentru urechi. Purtați pantaloni lungi rezistenți, cizme și mănuși. Nu purtați pantaloni scurți, sandale sau să stați desculț.

Pentru o utilizare mai sigură și mai bună, așezați-vă pe umăr cureaua de umăr. Reglați curea de umăr într-o poziție confortabilă de lucru. Țineți întotdeauna trimmerul pentru tufișuri cu o mână pe mânerul posterior și cu cealaltă mână pe mânerul frontal de operare. Apucați ferm cu ambele mâini în timpul utilizării sculei. Trimmerul pentru tufișuri trebuie menținut într-o poziție confortabilă cu mânerul posterior aproximativ la înălțimea șoldului. Apucați cu fermitate și mențineți-vă echilibrul pe ambele picioare. Poziționați-vă astfel încât să nu riscați să fiți dezechilibrați de reacția de recul a lamei de tăiere (Fig. B).

⚠️ AVERTISMENT: Cureaua de umăr este și un mecanism rapid de detașare în situații periculoase. În caz de urgență, îndepărtați imediat cureaua de pe umăr, indiferent de modul de instalare al curelei.

Pentru a tăia tufișurile și arbuști sălbaticiți, coborâți lama rotativă în jos pe vegetație pentru a obține efectul de tăiere. Utilizați trimmerul pentru tufișuri ca o coasă (măturați cu el înspre dreapta și stânga) la nivelul solului. Nu țineți niciodată accesoriul de tăiere deasupra taliei.

⚠️ AVERTISMENT: Cu cât accesoriul de tăiere este mai sus de sol, cu atât crește riscul de rănire provocat de resturile ejectate în lateral.

⚠️ AVERTISMENT: Când tăiați lăstari sau alte materiale lemnoase cu diametrul maxim de 2cm, utilizați partea stângă a lamei pentru a evita propulsarea acesteia. Nu încercați să tăiați material lemnos cu diametrul mai mare, deoarece lama poate prinde sau poate arunca trimmerul pentru tufișuri înainte. Acest lucru poate avaria lama sau trimmerul pentru tufișuri, ori cauza pierderea controlului trimmerului pentru tufișuri, rezultând în răni.

⚠️ AVERTISMENT: Utilizarea inadecvată a lamei trimmerului pentru tufișuri, poate duce la crăparea, ciobirea sau spargerea lamei.

Piese aruncate pot răni grav operatorul sau trecătorii. Pentru a reduce riscul de rănire, este esențial să respectați următoarele măsuri:

- Evitați contactul cu obiecte dure sau solide străine, precum pietre, bolovani sau bucăți de metal.
- Nu tăiați niciodată lemn sau tufișuri cu tulpina ce depășește 2cm.
- Inspectați lama la intervale scurte periodice pentru semne de avariere. Nu continuați să lucrați cu o lamă avariată.
- Reascuțiți lama periodic (când este tocită evident) și dacă este nevoie, echilibrați-o (operație efectuată de un tehnician autorizat de service).

PROPULSAREA LAMEI

Acordați atenție extremă când utilizați lama cu acest produs. Propulsarea lamei este reacția care poate avea loc când lama rotativă intră în contact cu un obiect pe care nu-l poate tăia. Acest contact poate cauza oprirea lamei pentru un moment și propulsarea bruscă a trimmerului dinspre obiectul care a fost lovit. Această reacție poate fi suficient de violentă încât să cauzeze operatorului pierderea controlului asupra trimmerului. Propulsarea lamei poate avea loc fără avertisment dacă lama întâmpină dificultăți, se blochează sau este prinsă. Propulsarea are șanse mai mari să apară în zone unde materialul ce trebuie tăiat este greu de văzut. Pentru tăierea ușoară și în siguranță, apropiați-vă de buruienile ce trebuie tăiate cu trimmerul dinspre dreapta spre stânga. În cazul întâlnirii unui obiect neașteptat sau a unei tulpini de lemn, această abordare ar putea diminua reacția de propulsare.

Înainte de fiecare utilizare, verificați pentru depistarea pieselor uzate/avariate.

Verificați lama, apărătoarea și mânerul frontal de operare și înlocuiți piesele care sunt fisurate distorsionate, îndoite sau avariate în vreun fel.

Muchia lamei se poate toci cu timpul. Se recomandă să întoarceți lama pe partea cealaltă pentru a-i prelungi durata de viață și să o ascuțiți periodic (operație efectuată de un tehnician autorizat de service) sau să o înlocuiți cu o lamă nouă când este nevoie.

Curățați trimmerul pentru tufișuri după fiecare utilizare.

Consultați secțiunea **ÎNTREȚINEREA** pentru instrucțiuni privind curățarea.

⚠️ AVERTISMENT: Asigurați-vă că lama este complet oprită înainte de a curăța sau de a efectua operații de service asupra trimmerului pentru tufișuri. Nerespectarea acestei instrucțiuni poate duce la eventuale accidente grave.

PORNIREA/OPRIREA SCULEI

Consultați secțiunea privind "PORNIREA/OPRIREA CAPULUI DE ALIMENTARE" din manualul de instrucțiuni al capului de alimentare PH1400E.

ÎNTREȚINEREA

⚠️ AVERTISMENT: Înainte de a inspecta, curăța sau de efectua operațiuni de service asupra aparatului, opriți motorul, asigurați-vă că toate componentele mobile sunt oprite și îndepărtați setul de acumulatori dacă este nevoie. Nerespectarea acestor instrucțiuni se poate solda cu vătămări corporale grave sau distrugerea bunurilor.

⚠️ AVERTISMENT: Când efectuați operații de service, utilizați doar piese de schimb identice. Utilizarea oricăror altor piese poate crea un pericol sau poate produce o deteriorare. Pentru siguranța și fiabilitatea produsului, toate reparațiile ar trebui efectuate de către un tehnician de service autorizat.

⚠️ AVERTISMENT: Întotdeauna purtați mănuși rezistente când instalați sau îndepărtați lama ori când efectuați orice operație de întreținere asupra lamei de tăiere. Atenție la lama și protejați-vă mâinile pentru a nu fi rănite de lamă.

ÎNTREȚINERE GENERALĂ

Evitați utilizarea solvenților când curățați piese din plastic. Majoritatea pieselor din plastic sunt susceptibile să se deterioreze de la diverse tipuri de solvenți comerciali și se pot defecta prin utilizarea acestora. Utilizați cărpe curate pentru a îndepărta murdăria, praful, uleiul, vaselina etc.

CURĂȚAREA PRODUSULUI

- Îndepărtați acumulatorul

- După fiecare utilizare, curățați, solul acumulat sau lama de pe lamă și de pe apărătoare, utilizând o perie moale.
- Ștergeți suprafața sculei cu o cârpă curată, umezită cu o soluție ce conține un detergent slab.
- Utilizați o perie mică sau un aspirator mic pentru a curăța fantele de aerisire de pe carcasa posterioară.
- Păstrați fantele de aerisire neobstrucționate.

Când lama devine tocită, ambele muchii ale lamei sunt tocite, văr rugăm ascuțiți-o apelând la un tehnician de service autorizat sau înlocuiți-o cu o lamă nouă după cum este necesar.

ÎNLOCUIREA LAMEI

⚠️ AVERTISMENT: O lamă uzată, crăpată sau avariată se poate sparge și piesele provenite din lama avariată pot deveni proiectile periculoase. Obiectele ejectate pot cauza răni grave. Inspectați lama periodic și nu operați trimmerul pentru tufișuri cu o lamă uzată sau avariată.

⚠️ AVERTISMENT: Utilizați protecție oculară adecvată când îndepărtați, ascuțiți și instalați lama.

Pentru scoaterea lamei

1. Îndepărtați acumulatorul.
2. Rotiți flanșa exterioră pentru a alinia canelura din flanșa interioară cu orificiul de blocare a tijeii din cutia de viteze și introduceți cheia hexagonală furnizată în orificiile aliniate pentru a se comporta ca un stabilizator conform indicațiilor din pașii precedenți 2 și 3 ilustrați în secțiunea "INSTALAREA LAMEI".
3. Pentru suport, sprijiniți capul trimmerului pentru tufișuri de o suprafață solidă. Cu o mână apucând de lamă, utilizați cealaltă mână pentru a apuca cheia multifuncțională furnizată pentru a slăbi piulița în direcția săgeții marcată pe flanșa exterioră și îndepărtați piulița, flanșa exterioră și lama uzată (Fig. L).
4. Verificați și înlocuiți flanșa interioară și capacul flanșei dacă acestea sunt uzate (Fig. M).

Fig. M pentru descrierea pieselor consultați tabelul de mai jos:

M-1	Ax motor	M-5	Flanșă exterioră
M-2	Flanșă interioară	M-6	Piuliță
M-3	Capac flanșă	M-7	Fantă din flanșă
M-4	Lamă		

5. Instalați lama nouă pe axul motorului în ordinea indicată în Fig. M. Instrucțiunile detaliate a pașilor 5, 6 & 7 se găsesc în secțiunea "INSTALAREA LAMEI".

RO

LUBRIFIEREA ANGRENAJELOR DE TRANSMISIE

Angrenajele de transmisie din carcasa cutiei de viteze trebuie lubrificate periodic cu unsoare pentru angrenaje. Verificați nivelul unsoării din carcasa cutiei de viteze la fiecare 50 de ore de utilizare îndepărtând șurubul de etanșeizare de pe latura carcasei.

Dacă pe laturile angrenajului nu se vede unsoare, urmați pașii de mai jos pentru a umple cu unsoare de angrenaj 3/4 din capacitate.

Nu umpleți complet angrenajele de transmisie.

1. Poziționați trimmerul vertical, astfel încât șurubul de etanșeizare este îndreptat în sus (Fig. N).
2. Utilizați cheia multifuncțională furnizată pentru a slăbi și îndepărta șurubul de etanșeizare.
3. Utilizați o seringă (neinclusă) pentru a injecta o cantitate de unsoare în orificiul șurubului.
4. După injectare, strângeți șurubul de etanșeizare.

DEPOZITAREA PRODUSULUI

- Detașați setul de acumulatori de pe trimmerul pentru tufișuri.
- Purtați mănuși super rezistente pentru a curăța bine scula.
- Montați scutul lamei pe lamă pentru protecție vitală (Fig. O)
- Detașați accesoriul de trimmer pentru tufișuri de capul de alimentare și acoperiți capătul terminal de pe terminalul țigii accesoriului dacă este nevoie.
- Depozitați aparatul într-un loc uscat, bine aerisit, închis cu cheia sau la înălțime, în care copiii nu au acces. Nu depozitați produsul pe sau lângă fertilizanți, benzină sau alte chimicale.

Protejarea mediului înconjurător

RO



Nu eliminați echipamentul electric, încărcătorul de acumulatori și bateriile/acumulatorii împreună cu deșeurile menajere!

Conform Directivei europene 2012/19/UE, sculele echipamentele electrice și electronice care nu mai sunt utilizabile, și conform Directivei europene 2006/66/CE, seturile de acumulatori/bateriile defecte sau uzate trebuie colectate separat.

Dacă aparatele electrice sunt aruncate la groapa de gunoi sau la haldă, se pot scurge substanțe periculoase în pânza freatică și acestea pot intra în lanțul trofic, afectându-vă sănătatea și bunăstarea

DECLARAȚIE DE CONFORMITATE CE

Noi, EGO EUROPE LTD.

Wahlwiesenstrasse 1, D-71711 Steinheim an der Murr
Deutschland

Declarăm că produsul **Accesoriu de trimmer pentru tufișuri de 56V cu acumulator de litiu-ion BCA1200**, echipat cu cap de alimentare PH1400E.

Corespunde cerințelor esențiale de sănătate și securitate stipulate în următoarele Directive:

2006/42/CE, 2014/30/UE, 2011/65/UE, 2000/14/CE

Standarde și specificații tehnice la care se face referință:

EN ISO 11806-1, EN 60745-1, EN 55014-1, EN 55014-2

Nivel de putere acustică măsurat: 96,5 dB(A).

Nivel de putere acustică garantat: 98 dB(A).

Peter Melrose

Director general EGO Europe GmbH

Dong Jianxun

Manager al calității la Chervon

* (Reprezentat autorizat CHERVON și responsabil pentru documentația tehnică)

01/12/2016

GHID DE DEPANARE

PROBLEMĂ	CAUZĂ	SOLUȚIE
Trimmerul pentru tufișuri nu pornește.	<ul style="list-style-type: none"> ■ Setul de acumulatori nu este atașat de capul de alimentare. ■ Nu există contact electric între capul de alimentare și setul de acumulatori. ■ Setul de acumulatori este descărcat. ■ Maneta de blocare și trăgaciul nu sunt apăstate simultan. 	<ul style="list-style-type: none"> ■ Atașați setul de acumulatori de capul de alimentare. ■ Îndepărtați acumulatorul, verificați contactele și reinstalați setul de acumulatori până când acesta se anclanșează în poziție. ■ Încărcați acest set de acumulatori cu încărcătorii EGO menționați în acest manual. ■ Apăsăți în jos maneta de blocare și țineți-o apăsată, după care apăsați trăgaciul declanșator pentru a porni trimmerul pentru tufișuri.
Trimmerul pentru tufișuri se oprește în timpul tăierii.	<ul style="list-style-type: none"> ■ Motorul este suprasolicitat. ■ Setul de acumulatori sau capul de alimentare sunt prea fierbinți. ■ Setul de acumulatori este deconectat de la sculă. ■ Setul de acumulatori este descărcat. 	<ul style="list-style-type: none"> ■ Motorul își va reveni după ce sarcina este îndepărtată. Pentru lucru continuu, diminueați sarcina capului de alimentare. ■ Lăsați setul de acumulatori sau capul de alimentare să se răcească până când temperatura scade sub 67°C (152°F). ■ Reinstalați setul de acumulatori. ■ Încărcați acest set de acumulatori cu încărcătorii EGO menționați în acest manual.

GARANȚIA

POLITICA DE GARANȚIE EGO

Vă rugăm consultați website-ul egopowerplus.com pentru termenii și condițiile complete ale politicii de garanție EGO.

RO

PREBERITE VSA NAVODILA!



PREBERITE PRIROČNIK Z NAVODILI ZA UPORABO

⚠ Preostalo tveganje! Pred uporabo izdelka se morajo osebe z elektronskimi napravami, kot je srčni spodbujevalnik, posvetovati s svojim zdravnikom. Delovanje električne opreme v bližini srčnega spodbujevalnika lahko povzroči motnje ali okvaro srčnega spodbujevalnika.

⚠ OPOZORILO: Za zagotovitev varnosti in zanesljivosti mora vsa popravila izvesti usposobljen serviser.

VARNOSTNI SIMBOLI

Namen varnostnih simbolov je, da pritegnejo vašo pozornost na morebitne nevarnosti. Varnostni simboli in njihova pojasnila si zaslužijo vašo pozornost in razumevanje. Opozorilni simboli sami ne odpravljajo nobene nevarnosti. Navodila in opozorila niso nadomestilo za ustrezne ukrepe za preprečevanje nesreč.

⚠ OPOZORILO: Poskrbite, da boste pred uporabo orodja prebrali in razumeli vsa varnostna navodila v priročniku z navodili za uporabo, vključno z vsemi simboli za varnostna opozorila, kot so »NEVARNOST«, »OPOZORILO«, in »SVARILO«. Neupoštevanje spodaj navedenih navodil se lahko odrazi v električnem udaru, požaru in/ali resnih telesnih poškodbah.

POMEN SIMBOLOV

⚠ SIMBOL VARNOSTNEGA OPOZORILO: Nakazuje NEVARNOST, OPOZORILO ali SVARILO. Uporablja se lahko skupaj z drugimi simboli ali piktogrami.

SL



⚠ OPOZORILO: Delovanje katerega koli električnega orodja lahko povzroči metanje tujkov v vaše oči, kar lahko povzroči resne poškodbe očesa. Pred začetkom dela z električnim orodjem vedno nosite zaščitna očala ali varnostna očala s stranskimi zaščitami in kadar je treba tudi ščit za celoten obraz. Priporočamo vam uporabo varnostne maske Wide Vision Safety Mask za uporabo preko očal ali standardnih varnostnih očal s stransko zaščito.

VARNOSTNA NAVODILA

Na tej strani so prikazani in opisani varnostni simboli, ki se lahko pojavijo na tem izdelku. Preberite, osvojite in sledite navodilom na stroju preden ga boste poskušali sestaviti in upravljati.

	Varnostno opozorilo	Označuje potencialno nevarnost telesnih poškodb.
	Preberite priročnik z navodili za uporabo	Za zmanjšanje nevarnosti poškodb je pomembno, da si uporabnik pred uporabo naprave prebere uporabniški priročnik.
	Nosite zaščito za oči	Pri upravljanju tega izdelka vedno nosite zaščitna očala ali varnostna očala s stransko zaščito in zaščito za celoten obraz.
	Nosite zaščito za ušesa	Hrup obrezovalnika grmičevja lahko poškoduje vaš sluh. Za zaščito sluha vedno uporabljajte protihrupne pripomočke (čepke za ušesa ali glušnike).
	Nosite zaščito za glavo	Za zaščito glave nosite odobreno varnostno čelado.
	Nosite zaščitne rokavice	Pri rokovanju z žago in njeno verigo dlani zaščitite z rokavicami. Robustne in protizdrsne rokavice izboljšajo vaš prijem in zaščitijo vaše dlani.
	Nosite zaščitno obutev	Nosite nedrsečo zaščitno obutev, ko uporabljate to opremo.
	Širina košnje	Največja širina rezanja z obrezovalnikom grmičevja
	Pazite na sunek rezila	Upravljavca opozorite na nevarnost sunka rezila.

	Odboj	Izvršeni predmeti se lahko odbijejo in povzročijo telesne poškodbe ali materialno škodo.
	Prisotni naj bodo varno oddaljeni	Poskrbite, da bodo drugi ljudje in hišni ljubljenci vsaj 15 m stran od obrezovalnika grmičevja, ko je v uporabi.
	Prepovedano okroglo rezilo	Ne nameščajte okroglih rezil.
	Ne izpostavljajte dežju	Naprave ne uporabljajte v dežju ali je puščajte zunaj, ko dežuje.
	CE	Ta izdelek je v skladu z veljavnimi direktivami ES.
	Odpadna električna in elektronska oprema (OEEO)	Odpadnih električnih izdelkov se ne sme odlagati med gospodinjske odpadke. Odnosite jih k pooblaščenemu izvajalcu postopka recikliranja.
	Hrup	Zajamčena raven zvočnega tlaka. Emisije hrupa v okolico so v skladu z direktivo Evropske skupnosti.
V	Volt	Napetost
mm	Milimeter	Dolžina ali velikost
cm	Centimeter	Dolžina ali velikost
in.	Inch	Dolžina ali velikost
kg	Kilogram	Teža

POMEMBNA VARNOSTNA NAVODILA

⚠ OPOZORILO: Pri uporabi kosilnic z nitko morate vedno upoštevati osnovne previdnostne ukrepe, saj le tako lahko zmanjšate nevarnost požara, električnega udara, opeklin in telesnih poškodb, vključno s sledečim:

PRED UPORABO NATANČNO PREBERITE.

SHRANITE ZA PRIHODNJO UPORABO.

⚠ NEVARNOST: Ne zanašajte se na izolacijo orodja za zaščito pred električnim udarom. Da zmanjšate nevarnost električnega udara, stroja nikoli ne upravljajte v bližini žic in kablov (napajanje itd.), ki so lahko pod napetostjo.

⚠ SVARILO: Med uporabo nosite primerno zaščito za sluh. Pod nekaterimi pogoji in dolžino uporabe lahko ta izdelek prispeva k izgubi sluha.

URJENJE

- Pazljivo preberite navodila. Seznanite se s kontrolami in pravilno uporabo naprave.
- Naprave nikoli ne smejo uporabljati otroci ali osebe, ki s to napravo niso seznanjene. Krajevni predpisi lahko omejujejo starostno mejo upravljavcev.
- Zapomnite si, da je uporabnik ali upravljavec odgovoren za vse nesreče ali nevarnosti, ki bi se lahko zgodile prisotnim ali njihovi lastnini.

PRIPRAVA

- Če so v bližini ljudje, še posebej otroci ali domače živali, naprave ne uporabljajte.
- Nosite zaščito za oči in robustne čevlje ves čas upravljanja stroja.
- Razdalja med strojem in opazovalci mora biti vsaj 15 m.

Delovanje

- Stroj uporabljajte le podnevi ali ob dobri umetni svetlobi.
- Stroja nikoli ne upravljajte, če so ščitniki poškodovani, ali če niso na mestu.
- Motor zaženite le, ko imate dlani in stopala stran od rezil.
- Stroj vedno odklopite iz vira napajanja (vtič odstranite iz vtičnice ali odstranite napravo za ustavljanje),
 - kadar koli pustite stroj brez nadzora;
 - pred čiščenjem blokade;
 - pred pregledom, čiščenjem ali delom na napravi;
 - potem, ko zadenete ob tujek;
 - kadar koli začne stroj nenormalno vibrirati.
- Pazite na morebitne poškodbe dlani iz stopal z rezili.
- Vedno poskrbite, da so odprtine za zračenje čiste.

VZDRŽEVANJE IN SHRANJEVANJE

- Stroj vedno odklopite iz vira napajanja (vtič odstranite iz vtičnice ali odstranite napravo za ustavljanje) pred vzdrževanjem ali čiščenjem.
- Uporabljajte samo originalne dele in dodatke ter upoštevajte priporočila proizvajalca.
- Stroj redno preverjajte in vzdržujte. Stroj naj popravlja le pooblaščen serviser.
- Ko ni v uporabi, stroj pospravite izven dosega otrok.

Druga varnostna opozorila

- **Otroci naj se ne približujejo napravi.** – Vsi obiskovalci morajo biti vsaj 15 m (50 ft) oddaljeni od delovnega območja.

SL

- **Izogibajte se nevarnim okoljem.** Kosilnic z nitko ne uporabljajte v vlažnih ali mokrih okoljih.
- **Kadar obrezovalnik grmičevja pustite brez nadzora, ga vedno izključite ali odstranite baterijski sklop.**
- **Naprave ne uporabljajte v dežju.**
- **Primerno se oblecite.** Ne nosite ohlapnih oblačil ali nakita. To lahko povzroči ujetje med premikajoče dele. Uporabite gumijaste rokavice in delovno obutev, predpisano za zunanja dela. Če imate dolge lase, nosite tudi zaščitno pokrivalo.
- **Uporabljajte varnostna očala.** Pri prašnem delu vedno nosite masko za obraz ali protiprašno masko.
- **Uporabite pravo napravo.** Orodje uporabljajte izključno za dela, za katera je namenjeno.
- **Obrezovalnika grmičevja ne uporabljajte s silo.** – Svoje delo bo opravljal bolje in z manjšo verjetnostjo poškodb pri hitrosti, za katero je bil zasnovan.
- **Ostanite pozorni.** Pazite, kaj delate. Uporabite zdrav razum. Kadar ste utrujeni, kosilnice z nitko ne uporabljajte.
- **Obrezovalnika grmičevja ne upravljajte, če ste pod vplivom alkohola ali drog.**
- **Ščitniki naj bodo na mestu in delujoči.**
- **Pazite, da se roke in stopala ne nahajajo v območju rezanja.**
- **Obrezovalnik grmičevja shranjujte v notranjem prostoru.** – Kadar obrezovalnika grmičevja ne uporabljate, odstranite baterijski sklop in ga shranite v notranjem prostoru, ki je suh in nekoliko dvignjen ali zaklenjen, da ni v dosegu otrok..
- **Obrezovalnik grmičevja skrbno vzdržujte.** – Priključek za rezanje naj bo čist, saj tako omogoča najboljše rezultate in zmanjšuje tveganje za poškodbe. Sledite navodilom za menjavo priključkov. Ročaji naj bodo suhi, čisti in brez madežev olja in masti.
- **Preglejte poškodovane dele.** – Pred nadaljnjo uporabo obrezovalnika grmičevja je treba poškodovan ščitnik ali kateri koli drug del natančno pregledati in ugotoviti, ali bo pravilno deloval in izvajal svojo predvideno funkcijo. Preverite nastavitve premikajočih se delov, njihove povezave, morebitne lome, namestitve in druge pogoje, ki bi lahko vplivali na delovanje naprave. Poškodovan ščitnik ali drug poškodovan del morajo ustrezno popraviti ali zamenjati v pooblaščenem servisnem centru, razen če je v tem priročniku navedeno drugače.
- **Prepričajte se, da so vsa zapenjala pravilno nameščena in pritrjena.** Prepričajte se, da je priključek za rezanje pravilno nameščen na mestu, ki ga priporoča proizvajalec.
- **Pred vsako uporabo počistite območje rezanja.** Odstranite vse predmete, kot so kamni, zdrobljeno steklo, žebelj, žica ali vrvice, ki jih lahko vrže ali se zapletejo v priključek za rezanje. Na območju naj ne bo otrok, opazovalcev in hišnih ljubljencev. Vsi otroci, opazovalci in hišni ljubljenci naj bodo najmanj 15 m (50 ft) oddaljeni; tudi izven radija 15 m (50 ft) obstaja tveganje za poškodbe zaradi izvrženih predmetov. Prisotni naj uporabljajo tudi zaščito za oči.
- **Med upravljanjem obrezovalnik grmičevja vedno trdno držite z obema rokama na ročajih. Prste ovijte okoli ročajev.**
- **Izogibajte se nenamernemu zagonu.** – Obrezovalnika grmičevja ne prenašajte s prstom na sprožilcu.
- **Obrezovalnika grmičevja ne uporabljajte v plinskih ali eksplozivnih atmosferah.** Motorji v teh napravah običajno oddajajo iskrice in iskrice lahko zanetijo hlape.
- **Poškodbe obrezovalnika grmičevja** – Če udarite ob tujek ali se obrezovalnik grmičevja zaplete, ga takoj ustavite, pregledajte za poškodbe in morebitne poškodbe pred nadaljnjo uporabo odpravite. Naprave ne uporabljate z zlomljenim ščitnikom ali rezilom.
- **Če začne oprema nenormalno vibrirati, ustavite motor in takoj poskušajte ugotoviti vzrok.** Vibracije običajno opozarjajo na težave. Zrahljano rezilo lahko povzroča vibracije, razpoka, se zlomi ali se odloži z obrezovalnika grmičevja, kar lahko povzroči resne telesne poškodbe ali celo smrt. Prepričajte se, da je priključek za rezanje pravilno nameščen in pritrjen. Če se rezilo zrahlja potem, ko ste ga pričvrstili na mesto, ga nemudoma zamenjajte. Nikoli ne uporabljajte obrezovalnika grmičevja, ki ima zrahljan priključek za rezanje.
- **Da zmanjšate nevarnost poškodb zaradi izgube nadzora, naprave nikoli ne uporabljajte na lestvi ali drugih nestabilnih podporah. Priključka za rezanje nikoli ne držite nad višino pasu.**
- **Vedno stojte trdno in stabilno.** Ne stegujte se preveč. Priključek za rezanje držite pod višino pasu. Delov telesa nikoli ne izpostavljajte vrtečemu se priključku za rezanje.
- **Razpokano, poškodovano ali obrabljen rezilo nemudoma zamenjajte, tudi če gre le za površinske razpoke.** Takšni priključki se lahko pri visokih hitrostih razletijo in povzročijo resne telesne poškodbe ali celo smrt.
- **Priključek za rezanje preverjajte v rednih kratkih intervalih med delovanjem oziroma takoj, ko opazite spremembo v obnašanju pri rezanju.**
- **Če se vam nekdo približa, ustavite motor in priključek za rezanje.** Pri enotah z rezilom obstaja dodatno tveganje za telesne poškodbe opazovalcev, ki jih lahko zadane premikajoče se rezilo v primeru sunka rezila ali nepričakovane odziva rezila.

- **Upravljavca opozorite na nevarnost sunka rezila.**
 - Do sunka rezila lahko pride, ko se vrteče rezilo dotakne predmeta, ki ga ne odreže takoj.
 - Sunek rezila je lahko dovolj močan, da porine enoto in/ali upravljavca v katero koli smer in lahko povzroči izgubo nadzora nad enoto.
 - Do sunka rezila lahko pride brez opozorila, če se rezilo zatika, ustavlja ali zapleta.
 - Večja verjetnost za sunek rezila je na območjih, kjer je težko videti material, ki ga režete.
- **Rezila nikoli ne priključite na enoto, ki nima pravilno nameščenih vseh potrebnih delov. Neuporaba pravih delov lahko povzroči, da rezilo pade z enote in resno poškoduje upravljavca in/ali opazovalce. Rezila, ki so upognjena, zvita, razpokana, zlomljena ali kakor koli poškodovana, zavrzite. Uporabljajte ostro rezilo. Pri topem rezilu obstaja večja verjetnost, da se zatakne in povzroči sunek.**
- **Vrteče se rezilo lahko povzroči telesne poškodbe, saj se vrtil tudi po tem, ko ugasnete motor ali spustite sprožilec. Napravo dobro nadzorujte, dokler se rezilo povsem ne ustavi.**
- **Baterijskega sklopa ne polnite v dežju ali na vlažnih mestih.**
- Napravo uporabljajte le z baterijskimi sklopi in polnilniki, navedenimi spodaj.

BATERIJSKI SKLOP	POLNILNIK
BA1120E, BA2240E, BA2800	CH2100E CH5500E

- **Preden napravo zavrzete, morate iz nje odstraniti baterijski sklop.**
- **Baterije ne odstranite v ogenj. Celice lahko eksplodirajo.** Preverite lokalne predpise za morebitna posebna navodila glede odstranjevanja.
- **Baterije ne odpirajte ali poškodujte.** Sproščeni elektroliti so korozivni in lahko poškodujejo oči ali kožo. Lahko so strupeni, če jih zaužijete.
- **Pri ravnanju z baterijami bodite previdni in pazite, da ne povzročite kratkega stika s prevodnimi materiali, kot so prstani, zapestnice in ključji.** Baterija ali prevodnik se lahko pregrejeta in povzročite opekline.
- **Nadomestni deli** – Za popravila uporabljajte le identične nadomestne dele EGO. Uporaba drugih dodatkov ali priključkov lahko poveča nevarnost poškodb.
- **Baterijskih orodij ni potrebno vključiti v električno vtičnico, zato so vedno v stanju delovanja. Zavedajte se mogočih nevarnosti tudi, ko orodje ne deluje.** Bodite previdni pri vzdrževanju ali servisiranju.

- **Pred popravilom, čiščenjem ali odstranjevanjem materiala iz obrezovalnika grmičevja odstranite ali odklopite baterijski sklop.**
- **Naprave ne umivajte s cevjo. Voda naj ne pride v motor ali električne priključke.**
- **Če pride do situacij, ki niso zajete v tem priročniku, bodite pazljivi in uporabite dobro presojo. Za pomoč se obrnite na servisni center EGO.**
- **Ta navodila shranite.** Pogosto jih preberite. Uporabite jih tudi za poučevanje ostalih, ki uporabljajo to napravo. Če to orodje komu posodite, posodite tudi ta navodila, da tako za preprečite nepravilno uporabo izdelka in možnost poškodb.

OPOMBA: DODATNA SPECIFIČNA VARNOSTNA PRAVILA NAJDETE V UPORABNIŠKEM PRIROČNIKU POGONSKE GLAVE.

TEHNIČNI PODATKI

Širina košnje	30 cm	
Hitrost brez obremenitve	5000/6000 min ⁻¹	
Teža	1,82 kg	
Izmerjena raven zvočnega tlaka L _{WA}	96,5 dB(A) K=1,88 dB(A)	
Raven zvočnega tlaka v ušesu upravljavca L _{PA}	84,5 dB(A) K=3 dB(A)	
Zajamčena raven zvočnega tlaka L _{WA} (glede na 2000/14/EC)	98 dB(A)	
Vibracije a _n	Srednji ročaj za prijem	2,8 m/s ² k=1,6 m/s ²
	Zadnji ročaj	3,1 m/s ² k=1,6 m/s ²

- Zgornji parametri so preskušeni in izmerjeni z nameščeno pogonsko glavo PH1400E.
- Deklarirana skupna vrednost vibracij je bila izmerjena v skladu s standardno preskusno metodo in se lahko uporabi za medsebojno primerjavo različnih orodij;
- Navedena skupna vrednost vibracij se lahko uporabi za predhodne ocene izpostavljenosti.

OPOMBA: Emisije vibracij se lahko med dejansko uporabo električnega orodja razlikujejo od deklarirane vrednosti, pri kateri se orodje uporablja. Z namenom zaščite upravljavca mora uporabnik v dejanskih pogojih uporabe nositi rokavice in zaščito za ušesa.

SL

Priporočeno rezilo

IME DELA	ŠTEVILKA MODELA
Rezilo obrezovalnika grmičevja	ABB1203

SEZNAM PAKIRANJA

IME DELA	KOLIČINA
Priključek z obrezovalnikom grmičevja	1
Komplet rezila in zaščite za rezilo	1
Ščitnik	1
Nastavek ščitnika (SAMO za uporabo z glavo kosilnice)	1
Šestrobi ključ	1
Večnamenski ključ	1
Priročnik z navodili za uporabo	1

OPIS

SPOZNAJTE SVOJ PRIKLJUČEK Z OBREZOVALNIKOM GRMIČEVJA (slika A)

1. Pokrovček
2. Držalo obrezovalnika grmičevja
3. Ščitnik
4. Rezilo
5. Zaščita za rezilo
6. Pritrdilna žica
7. Tesnilni vijak
8. Ohišje zobnikov
9. Odprtina za zaklep držala
10. Zunanja prirobnica
11. Večnamenski ključ
12. Imbusni ključ
13. Nastavek ščitnika (SAMO za uporabo z glavo kosilnice)

SL

⚠ OPOZORILO: Orodja nikoli ne upravljajte brez trdno nameščenega ščitnika. Ščitnik mora biti vedno nameščen na orodju za zaščito uporabnika.

⚠ OPOZORILO: Kadar orodje uporabljate kot kosilnico z nitko, opremljeno z glavo kosilnice, je treba nastavek ščitnika namestiti na ščitnik. V nasprotnem primeru se lahko zgodi, da je nitka predolga in je motor preobremenjen.

SESTAVA

⚠ OPOZORILO: Če so deli poškodovani ali manjkajo, izdelka ne uporabljajte, dokler deli niso zamenjani. Če ta izdelek uporabljate s poškodovanimi ali manjkajočimi deli, se lahko resno poškodujete.

⚠ OPOZORILO: Tega izdelka ne poskušajte spreminjati in ne poskušajte izdelovati dodatkov, ki niso priporočeni za uporabo s to kosilnico z nitko. Vsako tako spreminjanje je zloraba in lahko privede do tveganj, ta pa do hudih telesnih poškodb.

⚠ OPOZORILO: Med namestitvijo in odstranjevanjem rezila ali ščitnika oziroma med vzdrževanjem rezila vedno nosite robustne rokavice. Pazite na rezilo in zaščitite dlani, da se ne poškodujete.

⚠ OPOZORILO: Ne priključite na pogonsko glavo do zaključka montaže. Neupoštevanje tega navodila lahko povzroči nenamerni zagon in resne telesne poškodbe.

OPOMBA: Pravilno zaporedje sestavljanja priključka z obrezovalnikom grmičevja: najprej namestite ščitnik, nato rezilo, na koncu pa priključite na pogonsko glavo.

⚠ OPOZORILO: Orodja nikoli ne upravljajte brez ščitnika in brez trdno nameščenega sprednjega ročaja s pregradnim drogom. Neupoštevanje tega navodila lahko povzroči resne telesne poškodbe.

MONTAŽA ŠČITNIKA

1. Glavo obrezovalnika grmičevja dvignite in obrnite navzdol. Odprtini za namestitev v ščitniku poravnajte z dvema vijakoma, ki sta že nameščena na pritrdilni plošči. Prepričajte se, da je notranja površina ščitnika obrnjena proti glavi obrezovalnika grmičevja (slika C).
2. Z vijaki in priloženim imbusnim ključem pričvrstite ščitnik (slika D).

NAMESTITEV REZILA

1. Rezilo je dobavljeno z zaščito za rezilo. Pred namestitvijo rezila na obrezovalnik grmičevja je treba odstraniti zaščito, tako da snamete pritrdilno žico s kljukice na zaščiti (slika E).

Sliki E: za opis delov glejte spodaj:

E-1	Kljukica
E-2	Pritrdilna žica

2. Zavrtite zunanjo prirobnico, da poravnate režo v notranji prirobnici z odprtino za zaklep držala v ohišju zobnikov (slika F).
3. Priloženi imbusni ključ vstavite v poravnani odprtini, da deluje kot stabilizator (slika G).

Za opis delov na slikah F in G glejte spodaj:

F-1	Ohišje zobnikov	F-3	Zunanja prirobnica
F-2	Poravnani odprtini za zaklep držala	G-1	Stabilizator

- Glavo obrezovalnika grmičevja prislonite na trdno površino za podporo. Z eno roko držite držalo obrezovalnika grmičevja, z drugo roko pa primate priloženi večnamenski ključ, da odvijete matico v smeri puščice, ki je označena na zunanji prirobnici. Odstranite matico in zunanjo prirobnico. Shranite ju za ponovno montažo (slika H).
- Rezilo namestite na gred motorja, pri čemer mora biti površina rezila poravnana s površino izbokline notranje prirobnice. Namestite zunanjo prirobnico in matico (slika I). Z roko privijete matico v **NASPROTNI SMERI URNEGA KAZALCA**.

Sliki I: za opis delov glejte spodaj:

I-1	Izboklina notranje prirobnice	I-4	Zunanja prirobnica
I-2	Gred motorja	I-5	Rezilo
I-3	Matica		

- Zavrtite zunanjo prirobnico, da poravnate rezo v notranji prirobnici z odprtino za zaklep držala v ohišju zobnikov ter vstavite priloženi imbusni ključ v poravnani odprtini, da deluje kot stabilizator, kot prikazujeta 2. in 3. korak.
- Glavo obrezovalnika grmičevja prislonite na trdno površino za podporo. Z eno roko držite rezilo, z drugo roko pa primate priloženi večnamenski ključ, da privijete matico v nasprotni smeri puščice, ki je označena na zunanji prirobnici (slika J).

Uporaba nastavka ščitnika

OPOMBA: Kadar orodje uporabljate kot kosilnico z nitko, opremljeno z glavo kosilnice, je treba nastavek ščitnika namestiti na ščitnik (slika K).

Nastavek ščitnika pritrdite na ščitnik, tako da tri vijake privijete s priloženimi imbusnim ključem. V nasprotnem primeru se lahko zgodi, da je nitka predolga in je motor preobremenjen.

NAMESTITEV PRIKLJUČKA Z OBREZOVALNIKOM GRMIČEVJA NA POGONSKO GLAVO

Ta priključek z obrezovalnikom grmičevja je zasnovan za uporabo s pogonsko glavo EGO PH1400E.

Glejte razdelek »NAMESTITEV PRIKLJUČKA NA POGONSKO GLAVO« v uporabniškem priročniku pogonske glave PH1400E.

DELOVANJE

⚠ OPOZORILO: Četudi se dodobra seznanite s tem izdelkom, pri rokovanju z njim ne postanite neprevidni. Pomnite, da je brezskrbni delec sekunde dovolj za resno poškodbo.

⚠ OPOZORILO: Vedno nosite zaščito za oči, ki ima varovanje tudi s strani. Prav tako nosite zaščito za sluh. Če tega ne storite, vam lahko v oči priletijo predmeti ali pa se lahko zgodijo druge hude poškodbe.

NAMENI UPORABE

Ta izdelek lahko uporabljate za naslednje namene:

- rezanje trave, plevela, divjega rastlinja in grmičevja ter redčenje mladih sestojev z največjim premerom stebela 2 cm.

OPOMBA: Orodje se lahko uporablja samo za predpisan namen. Kakršna koli druga uporaba se smatra za nepravilno uporabo.

UPORABA OBREZOVALNIKA GRMIČEVJA S POGONSKO GLAVO

⚠ OPOZORILO: Za upravljanje tega orodja se primerno oblecite, da zmanjšate nevarnost poškodb. Ne nosite ohlapnih oblačil ali nakita. Nosite zaščito za oči in sluh. Nosite robustne dolge hlače, škornje in rokavice. Ne nosite kratkih hlač, sandal in ne bodite bosi.

Za varno in boljše upravljanje si preko rame nadenite ramenski pas. Ramenski pas nastavite v udoben položaj za upravljanje. Obrezovalnik grmičevja držite z eno roko na zadnjem ročaju in z drugo roko na sprednjem ročaju. Med upravljanjem orodje čvrsto držite z obema rokama. Obrezovalnik grmičevja držite v udobnem položaju z zadnjim ročajem približno v višini pasu. Ohranjanje čvrst prijem in ravnotežje na obeh stopalih. Postavite se tako, da ne boste izgubili ravnotežja v primeru povratnega udara rezila (slika B).

⚠ OPOZORILO: Ramenski pas je tudi hiter mehanizem za sprostitve v nevarnih situacijah. V nujnih primerih ga nemudoma snemite z rame, ne glede na to, kako je vstavljen.

Za rezanje divjega rastlinja in grmičevja spustite vrteče rezilo do rastlinja, da dosežete učinek sekanja. Obrezovalnik grmičevja uporabljajte kot koso (premikajte ga levo in desno) ob tleh. Priključka za rezanje ne uporabljajte nad višino pasu.

⚠ OPOZORILO: Višje nad tlemi je priključek za rezanje, večja je nevarnost poškodb zaradi izvrženega odrezanega rastlinja.

SL

⚠ OPOZORILO: Za rezanje mladih sestojev ali drugega lesnatega rastlinja s premerom do 2 cm uporabite levo stran rezila, da preprečite sunke rezila. Ne poskušajte rezati lesnatega rastlinja z večjim premerom, ker se rezilo lahko zatakne ali obrezovalnik grmičevja sune naprej. To lahko povzroči poškodbe rezila ali obrezovalnika grmičevja ali izgubo nadzora nad obrezovalnikom grmičevja in posledično vpliva na telesne poškodbe.

⚠ OPOZORILO: Nepravilna uporaba rezila obrezovalnika grmičevja lahko povzroči, da rezilo razpoka, se okruši ali razleti.

Izvršeni deli lahko resno poškodujejo upravljavca ali opazovalce. Za zmanjšanje tveganja za telesne poškodbe je pomembno, da upoštevate naslednje previdnostne ukrepe:

- Preprečite stik s trdimi ali masivnimi tujki, kot so kamni, skale ali kovinski kosi.
- Nikoli ne režite lesa ali grmičevja s premerom stebela, ki je večji od 2 cm.
- V rednih kratkih intervalih preverjajte, ali so na rezilu vidne poškodbe. Poškodovanega rezila ne uporabljajte.
- Rezilo redno brusite (ko postane opazno topo) in ga po potrebi uravnotežite (to naj izvede usposobljen serviser).

SUNEK REZILA

Pri uporabi rezila s to enoto bodite izjemno previdni. Sunek rezila je odziv, do katerega lahko pride, ko se vrteče rezilo dotakne katerega koli materiala, ki ga ne more odrezati. Ta stik lahko povzroči, da se rezilo za trenutek zaustavi in nenadoma »sune« enoto stran od predmeta, ki ga je zadelo. Ta povratni odziv je lahko dovolj močan, da povzroči izgubo upravljavčevega nadzora nad enoto. Do sunka rezila lahko pride brez opozorila, če se rezilo zatika, ustavlja ali zapleta. Večja verjetnost za to je na območjih, kjer je težko videti material, ki ga režete. Za enostavno in varno rezanje se z obrezovalnikom grmičevja plevelu, ki ga režete, približajte z desne proti levi. Če naletite na nepričakovan predmet ali kos lesa, boste na ta način zmanjšali možnost sunka rezila.

SL

Pred vsako uporabo napravo pregledjte za poškodovane/obrabljene dele

Pregledjte rezilo, ščitnik in sprednji ročaj ter zamenjajte dele, ki so razpokani, zviti, upognjeni ali kakor koli poškodovani.

Rob rezila lahko sčasoma postane top. Priporočljivo je, da rezilo obrnete naokrog, da podaljšate njegovo življenjsko dobo, in ga redno brusite (to naj izvede usposobljen serviser) ali ga po potrebi zamenjate z novim rezilom.

Po vsaki uporabi obrezovalnik grmičevja očistite

Navodila za čiščenje najdete v razdelku **VZDRŽEVANJE**.

⚠ OPOZORILO: Pred čiščenjem ali popravilom obrezovalnika grmičevja se prepričajte, da se je rezilo povsem ustavilo. Neupoštevanje tega navodila lahko povzroči resne telesne poškodbe.

ZAGON/ZAUSTAVITEV ORODJA

Glejte razdelek »**ZAGON/ZAUSTAVITEV POGONSKE GLAVE**« v uporabniškem priročniku pogonske glave PH1400E.

VZDRŽEVANJE

⚠ OPOZORILO: Pred pregledom, čiščenjem ali popravilom enote zaustavite motor, počakajte, da se zaustavijo vsi premikajoči se deli, in odstranite baterijski sklop. Neupoštevanje teh navodil lahko povzroči hude telesne poškodbe ali materialno škodo.

⚠ OPOZORILO: Za popravila uporabljajte le identične nadomestne dele. Uporaba drugih delov je tvegana in lahko poškoduje izdelek. Za zagotovitev varnosti in zanesljivosti mora vsa popravila izvesti usposobljen serviser.

⚠ OPOZORILO: Med namestitvijo in odstranjevanjem rezila oziroma med vzdrževanjem rezila vedno nosite robustne rokavice. Pazite na rezilo in zaščitite dlani, da se ne poškodujete.

SPLOŠNO VZDRŽEVANJE

Pri čiščenju plastičnih delov se izogibajte uporabi topil. Večina vrst plastike se lahko pri uporabi različnih komercialnih topil poškoduje. Za odstranjevanje umazanije, prahu, olja, masti itd. uporabite čiste krpe.

ČIŠČENJE ENOTE

- Odstranite baterijo.
- Po vsaki uporabi z mehko krtačo očistite ostanke, zemljo ali travo na rezilu ter ščitniku.
- Površino orodja obrišite s čisto in vlažno krpo ter z blago milnico.
- Zračne odprtine v zadnjem delu ohišja očistite z majhno krtačo ali majhnim sesalnikom.
- Zračne odprtine ne smejo biti zamašene.

Ko rezilo postane topo oz. oba robova rezila postaneta topa, naj ga usposobljen serviser nabrusi ali po potrebi zamenja z novim rezilom.

MENJAVA REZILA

⚠ OPOZORILO: Obrabljeno, razpokano ali poškodovano rezilo se lahko zlomi, koščki poškodovanega rezila pa se lahko odtrgajo in predstavljajo nevarnost. Izvršeni predmeti lahko povzročijo resne telesne poškodbe. Rezilo redno preverjajte in ne uporabljajte obrezovalnika grmičevja z obrabljenim ali poškodovanim rezilom.

⚠ OPOZORILO: Med odstranjevanjem, brušenjem in namestitvijo rezila nosite ustrezno zaščito za oči.

Odstranjevanje rezila

1. Odstranite baterijo.
2. Zavrtite zunanjo prirobnico, da poravnate režo v notranji prirobnici z odprtino za zaklep držala v ohišju zobnikov ter vstavite priloženi imbusni ključ v poravnani odprtini, da deluje kot stabilizator, kot prikazujeta 2. in 3. korak v razdelku »**NAMESTITEV REZILA**«.
3. Glavo obrezovalnika grmičevja prislonite na trdno površino za podporo. Z eno roko držite rezilo, z drugo roko pa primate priloženi večnamenski ključ, da odvijete matico v smeri puščice, ki je označena na zunanji prirobnici. Odstranite matico, zunanjo prirobnico in obrabljeno rezilo (slika L).
4. Preverite notranjo prirobnico in pokrov prirobnice ter ju zamenjajte, če sta obrabljena (slika M).

Slika M: za opis delov glejte spodaj:

M-1	Gred motorja	M-5	Zunanja prirobnica
M-2	Notranja prirobnica	M-6	Matica
M-3	Pokrov prirobnice	M-7	Reža v prirobnici
M-4	Rezilo		

5. Novo rezilo namestite na gred motorja v zaporedju, ki ga prikazuje slika M. Natančno sledite 5., 6. in 7. koraku, ki so opisani v razdelku »**NAMESTITEV REZILA**«.

MAZANJE ZOBNIKOV

Zobnike v ohišju je treba redno mazati z mazivom za zobnike. Raven maziva preverite približno vsakih 50 ur delovanja, tako da odstranite tesnilni vijak ob strani ohišja.

Če ob strani zobnikov ne vidite maziva, sledite spodnjim korakom in ohišje napolnite z mazivom do 3/4 prostornine.

Ohišja z zobniki ne napolnite povsem.

1. Obrezovalnik grmičevja držite tako, da je tesnilni vijak obrnjen navzgor (slika N).
2. S priloženim večnamenskim ključem odvijte tesnilni vijak in ga odstranite.

3. Z brizgalko (ni priložena) vbrizgajte nekaj maziva v luknjo vijaka.
4. Privijte tesnilni vijak.

SHRANJEVANJE ENOTE

- Odstranite baterijski sklop z orodja.
- Pri temeljtem čiščenju orodja nosite robustne rokavice.
- Zaščito za rezilo namestite na rezilo za varno shranjevanje (slika O).
- Priključek za obrezovalnik grmičevja odstranite s pogonske glave in po potrebi namestite pokrovček na konec držala priključka.
- Enoto shranite v suhem in dobro zračenem prostoru, ki se zaklepa ali je dvignjen, da ne bo na dosegu otrok. Enote ne shranjujte na ali v bližini gnojil, bencina ali drugih kemikalij.

Varovanje okolja



Električne opreme, polnilnika baterij in baterij/baterij, ki jih je mogoče polniti, ne odvrzite med gospodinjske odpadke!

V skladu z evropskim zakonom 2012/19/EU glede električne in elektronske opreme, ki ni več uporabna, in v skladu z evropskim zakonom 2006/66/EC glede pokvarjenih ali izrabljenih baterijskih sklopov/baterij, je treba baterije zbrati ločeno.

Če električne naprave odvržete na smetišča, lahko nevarne snovi pronicajo v podtalnico in tako pridejo v prehranjevalno verigo, s čimer ogrozijo vaše zdravje in dobro počutje.

IZJAVA ES O SKLADNOSTI



DRUŽBA EGO EUROPE LTD.

Wahlwiesenstrasse 1, D-71711 Steinheim an der Murr
Deutschland

izjavljamo, da je izdelek **56-voltni litij-ionski brezžični priključek z obrezovalnikom grmičevja BCA1200**, opremljen s pogonsko glavo PH1400E,

skladen s ključnimi zdravstvenimi in varnostnimi zahtevami naslednjih direktiv:

2006/42/ES, 2014/30/EU, 2011/65/EU, 2000/14/ES

Upoštevani standardi in tehnične specifikacije:

EN ISO 11806-1, EN 60745-1, EN 55014-1, EN 55014-2

Izmerjena raven zvočnega tlaka: 96,5 dB(A).

Zajamčena raven zvočnega tlaka: 98 dB(A).

Peter Melrose
Generalni direktor družbe
EGO Europe GmbH

Dong Jianxun
Vodja kakovosti pri družbi
Chervon

* (Pooblaščen predstavnik družbe CHERVON in odgovorni za tehnično dokumentacijo.)

01/12/2016

ODPRAVLJANJE TEŽAV

TEŽAVA	VZROK	REŠITEV
Obrezovalnik grmičevja se ne vklopi.	<ul style="list-style-type: none"> ■ Baterijski sklop ni nameščen na pogonsko glavo. ■ Med pogonsko glavo in baterijskim sklopom ni električnega stika. ■ Baterijski sklop je izpraznjen. ■ Vzvod za odklepanje in sprožilec nista bila pritisnjena hkrati. 	<ul style="list-style-type: none"> ■ Baterijski sklop namestite na pogonsko glavo. ■ Odstranite baterijo, preverite kontakte in ponovno namestite baterijski sklop, tako da se zaskoči. ■ Baterijski sklop polnite s polnilniki EGO, ki so navedeni v tem priročniku. ■ Vzvod za odklepanje pritisnite navzdol in ga pridržite, nato pritisnite sprožilec, da vključite obrezovalnik grmičevja.
Obrezovalnik grmičevja se ustavi med rezanjem.	<ul style="list-style-type: none"> ■ Motor je preobremenjen. ■ Baterijski sklop ali pogonska glava je prevroča. ■ Baterijski sklop je odklopljen iz orodja. ■ Baterijski sklop je izpraznjen. 	<ul style="list-style-type: none"> ■ Motor bo zopet deloval, ko boste odpravili obremenitev. Za neprekinjeno delovanje zmanjšajte obremenitev pogonske glave. ■ Počakajte, da se baterijski sklop ali pogonska glava ohladi do temperature pod 67 °C (152 °F). ■ Ponovno namestite baterijski sklop. ■ Baterijski sklop polnite s polnilniki EGO, ki so navedeni v tem priročniku.

GARANCIJA

GARANCIJSKA POLITIKA DRUŽBE EGO

Za popolne pogoje garancijske politike družbe EGO obiščite spletno stran egopowerplus.com.

SL

PERSKAITYKITE VISĄ INSTRUKCIJĄ!



PERSKAITYKITE NAUDOJIMO INSTRUKCIJĄ

⚠ Liekamoji rizika! Žmonės, kuriems implantuoti elektroniniai prietaisai, pvz., širdies stimulatoriai, prieš pradėdami naudoti šį gaminį turėtų pasikonsultuoti su savo gydytoju (-ais). Šalia širdies stimulatoriaus veikianti elektros įranga gali sukelti širdies stimulatoriaus veikimo trukdžius arba gedimą.

⚠ ĮSPĖJIMAS: Norint užtikrinti saugų ir patikimą gaminio naudojimą, visus remonto ir keitimo darbus turi atlikti kvalifikuotas techninės priežiūros specialistas.

SAUGOS SIMBOLIAI

Šių simbolių paskirtis – atkreipti dėmesį į galimus pavojus. Gerai susipažinkite su saugos simboliais bei jų paaiškinimais ir juos įsidėmėkite. Simbolių įspėjimai patys savaime negali apsaugoti nuo pavojų. Jais žymimi nurodymai ir įspėjimai neatstoja tinkamų nelaimingų atsitikimų prevencijos priemonių.

⚠ ĮSPĖJIMAS: Prieš pradėdami naudoti šį gaminį perskaitykite visus šioje naudojimo instrukcijoje pateiktus saugos nurodymus, taip pat susipažinkite su visais saugos įspėjimaisiais simboliais, tokiais kaip „**PAVOJUS**“, „**ĮSPĖJIMAS**“, ir „**PERSPĖJIMAS**“, ir įsitikinkite, kad juos supratote. Nesilaikant visų toliau išdėstytų nurodymų galima patirti elektros smūgį, sukelti gaisrą ir (arba) sunkiai susižeisti.

SIMBOLIO REIŠMĖ

⚠ SAUGOS ĮSPĖJAMASIS SIMBOLIS: nurodo **PAVOJŲ**, **ĮSPĖJIMĄ**, arba **PERSPĖJIMĄ**. Gali būti panaudotas su kitais simboliais arba piktogramomis.



⚠ ĮSPĖJIMAS: Naudojant bet kokius elektros prietaisus gali būti išsviesti ir pataikyti į akis pašaliniai objektai, galintys sunkiai sužeisti akis. Prieš pradėdami naudoti elektros prietaisą, visada užsidėkite apsauginius akinius arba apsauginius akinius su šonine apsauga ir, kai reikia, visą veidą dengiantį skydelį. Rekomenduojame naudoti platų matymo lauką užtikrinančią apsauginę kaukę ant akinių arba standartinius apsauginius akinius su šonine apsauga.

SAUGOS NURODYMAI

Šiame puslapyje pavaizduoti ir aprašyti saugos simboliai, kurių gali būti ant šio gaminio. Prieš pradėdami surinkti ir naudoti prietaisą, perskaitykite visus ant jo pateiktus nurodymus, įsitikinkite, kad juos supratote, ir jais vadovaukitės.

	Saugos įspėjimas	Nurodo galimą sužalojimo pavojų.
	Perskaitykite naudojimo instrukciją	Kad sumažintų pavojų susižaloti, naudotojas turi perskaityti naudojimo instrukciją ir įsitikinti, kad ją suprato.
	Dėvėkite akių apsaugos priemones	Naudodami šį gaminį visada užsidėkite apsauginius akinius arba apsauginius akinius su šonine apsauga ir visą veidą dengiantį skydelį.
	Dėvėkite ausų apsaugos priemones	Krūmapjovės keliamas triukšmas gali pakenkti klausos organams. Visada naudokite triukšmo slopintuvus (ausų kamščius ar ausines su triukšmo slopinimu), kad apsaugotumėte savo klausą.
	Užsidėkite galvos apsaugos priemonę	Galvai apsaugoti užsidėkite patvirtintą apsauginį šalną.
	Mūvėkite apsaugines pirštines	Kai dirbate su grandininio pjūkle arba tvarkote grandinę, apsaugokite rankas pirštinėmis. Tvirtos neslidžios pirštinės leidžia geriau suimti ir apsaugo rankas.
	Mūvėkite apsauginę avalynę.	Naudodami šią įrangą mūvėkite neslidžią avalynę.
	Pjovimo plotis	Didžiausias galimas pjovimo krūmapjovėje plotis.
	Saugokitės peilio atoveiksmio	Įspėkite operatorių apie peilio atoveiksmio keliamą pavojų.

LT

	Rikošetas	Išmesti objektai gali atšokti ir sukelti asmenų traumas ar žalą nuosavybei.
	Neleiskite artintis pašaliniais asmenims	Užtikrinkite, kad naudojantis krūmapjove kiti asmenys ar gyvūnai būtų ne arčiau kaip 15 m nuo krūmapjovės.
	Nenaudoti pjovimo disko	Nemontuokite pjovimo diskų.
	Nenaudokite lyjant lietu	Lyjant nenaudokite ir nepalikite lauke įrangos.
	CE	Šis gaminys atitinka taikomas EB direktyvas.
	WEEE	Elektros prietaisų atliekas draudžiama utilizuoti kartu su buitinėmis atliekomis. Perduoti įgaliotam perdirbėjui.
	Triukšmas	Garantuojamas garso galios lygis. Triukšmo sklaida į aplinką atitinka Europos Bendrijos direktyvą.
V	Voltsas	Įtampa
mm	Milimetras	Ilgis arba dydis
cm	Centimetras	Ilgis arba dydis
in.	Colis	Ilgis arba dydis
kg	Kilogramas	Svoris

SVARBŪS SAUGOS NURODYM AI

⚠️ ĮSPĖJIMAS: Naudodami akumuliatorines žoliapjoves, visada imkitės svarbiausių atsargumo priemonių, kad sumažintumėte gaisro, elektros smūgio ir susižalojimo pavojų, įskaitant:

ATIDŽIAI PERSKAITYKITE PRIEŠ NAUDODAMI

PASIDĖKITE, KAD PRIREIKUS GALĖTUMĖTE PASIŽIURĖTI

⚠️ PAVOJUS. Nepasikliaukite įrenginio izoliacija nuo elektros smūgio. Norėdami sumažinti elektros smūgio riziką, niekada neekspluatuokite įrenginio netoli bet kokių laidų arba kabelių (elektros ir pan.), kuriais gali tekėti elektros srovė.

⚠️ PERSPĖJIMAS: Eksploatacijos metu dėvėkite tinkamas asmenines klausos apsaugos priemones. Tam tikromis sąlygomis ir dėl naudojimo trukmės šio gaminio keliamas triukšmas gali prisidėti prie klausos netekimo.

Mokymas

- Atidžiai perskaitykite instrukciją. Susipažinkite su valdikliais ir nurodymais, kaip tinkamai naudoti įrenginį.
- Įrenginio niekada neleiskite naudoti vaikams arba žmonėms, nesusipažinusiems su šia instrukcija. Vietiniai teisės aktai gali riboti operatoriaus amžių.
- Turėkite omenyje, kad operatorius arba naudotojas atsako už nelaimingus atsitikimus ir pavojus, keliamus kitiems žmonėms ir jų nuosavybei.

PASIRUOŠIMAS

- Niekada neekspluatuokite įrenginio, kai netoliese yra žmonių, ypač vaikų, arba augintinių.
- Visada ekspluatuodami įrenginį dėvėkite akių apsaugos priemones ir patvarius batus.
- Visi pašaliniai asmenys turi būti mažiausiai 15 m atstumu nuo įrenginio.

NAUDOJIMAS

- Veją pjaukite tik dieną arba esant tinkamam dirbtiniam apšvietimui.
- Niekada nenaudokite įrenginio, kai saugos priemonės ar skydeliai sugadinti arba kai jie neuždėti.
- Variklį įjunkite tik patraukę rankas ir kojas nuo pjovimo dalies.
- Visada atjunkite įrenginį nuo maitinimo šaltinio (t. y. ištraukite kištuką iš elektros lizdo arba nuimkite saugos įtaisą).
 - visada, kai paliekate vejąpjovę be priežiūros;
 - prieš patraukdami kliūtį;
 - prieš tikrindami, valydami įrenginį arba dirbdami prie jo;
 - kliudę pašalinį daiktą;
 - jei įrenginys pradeda neįprastai vibruoti.
- Būkite atsargūs, kad pjovimo priemonėmis nesusižalotumėte kojų ir rankų.

LT

- Visada užtikrinkite kad ventilacijos angose niekada nebūtų apnašų.

Techninė priežiūra ir laikymas

- Prieš pradėdami techninės priežiūros arba valymo darbus atjunkite įrenginį nuo maitinimo šaltinio (t. y. ištraukite kištuką iš elektros lizdo arba nuimkite saugos įtaisą).
- Naudokite tik gamintojo rekomenduojamas atsargines dalis ir priedus.
- Įrenginį reguliariai apžiūrėkite ir tvarkykite. Įrenginio remontą patikėkite tik įgaliotam remontininkui.
- Kai nenaudojamas, laikykite įrenginį vaikams nepasiekiamoje vietoje.

Kiti saugos įspėjimai

- **Liepkite vaikams pasitraukti toliau** – visi lankytojai turi būti ne arčiau kaip už 15 m nuo darbo zonos.
- **Venkite pavojingos aplinkos** – nenaudokite žoliapjovių drėgnose arba šlapiose vietose.
- **Palikdami įrankį be priežiūros visada išjunkite krūmapjovę arba išimkite akumuliatorių bateriją.**
- **Nenaudokite lyjant lietu.**
- **Tinkamai apsirenkite** – nedėvėkite laisvų drabužių ir nenešiotkite laisvai kabančių papuošalų. Judamosios dalys gali juos įtraukti. Dirbant lauke rekomenduojama mėvėti gumines pirštines ir avėti tvirtą avalynę. Dėvėkite apsauginį plaukų apdangalą, po kuriuo galima būtų paslėpti ilgus plaukus.
- **Dėvėkite apsauginius akinius** – jei dirbant kyla daug dulkių, visada užsidėkite kaukę arba respiratorių.
- **Naudokite tinkamą įrenginį** – nenaudokite įrenginio jokiems darbams, išskyrus numatytąjį.
- **Neforsuokite krūmapjovės** – darbą atlikite geriau ir su mažesne traumų rizika, jei dirbsite tokia sparta, kuriai sukurta krūmapjovė.
- **Būkite budrūs** – stebėkite, ką darote. Vadovaukitės sveika nuovoka. Nedirbkite su žoliapjove, kai esate pavargę.
- **Nedirbkite su krūmapjove veikiami alkoholio ar narkotikų.**
- **Naudokite uždėtas techniškai tvarkingas saugos priemones.**
- **Rankas ir pėdas laikykite atokiau nuo pjovimo zonos.**
- **Krūmapjovės laikykite patalpoje** – nenaudojama krūmapjovė turi būti laikoma patalpoje aukštai arba užraknamoje vietoje su išimta akumuliatorių baterija taip, kad nepasiektų vaikai.

- **Rūpestingai prižiūrėkite krūmapjovę** – norint geresnių eksploatacinių savybių ir mažesnio traumų pavojaus pjovimo priedas turi būti švarus. Laikykitės priedų keitimo instrukcijų. Rankos turi būti sausas, švarios ir nesužeptos tepalais ar alyva.

- **Patikrinkite, ar nėra sugadintų dalių** – prieš toliau naudojantis krūmapjove norint įvertinti, ar įranga veiks tinkamai ir atliks numatytą funkciją, reikia atidžiai patikrinti, ar nesugadintas apsauginis gaubtas arba kitos dalys. Patikrinkite, ar judamos dalys suderintos, judamos dalys pritvirtintos, ar nėra dalių, jungčių pažeidimų, be to, ar nėra kitų sąlygų, kurios gali turėti įtakos jos veikimui. Pažeistos apsaugos priemonės ar kitos dalys turėtų būti tinkamai suremontuotos arba pakeistos įgaliotame techninės priežiūros centre, jei šiame vadove nenurodyta kitaip.

- **Įsitinkite, kad yra visos tvirtinimo detalės ir jos patikimai įtvirtintos. Įsitinkite, kad pjovimo priedo skydas tinkamai pritvirtintas gamintojo rekomenduojamoje padėtyje.**

- **Prieš kiekvieną naudojimą išvalykite pjaunamą plotą.** Pašalinkite visus objektus, tokius kaip akmenis, sudaužytą stiklą, vinis, vielą ar valą, kurie gali būti išsviesti ar įspainioti į pjovimo priedą. Iš zonos pašalinkite vaikus, pašalinius asmenis ir gyvūnus. Vaikams, pašaliniams asmenims ir gyvūnams lepinkite būti ne arčiau kaip už 15 m (50 pėdų); už 15 m (50 pėdų) spindulio zonos vis dar išlieka traumų, kurias gali sukelti išsviesti objektai, pavojus. Šalia esantys asmenys turėtų dėvėti akių apsaugą.

- **Visada dirbdami tvirtai abiem rankomis laikykite krūmapjovę už rankenų. Sugnaužkite pirštus ir nykščius aplink rankenas.**

- **Vemkite atsiktinio įjungimo** – neneškite krūmapjovės laikydami pirštą ant paleistuko.

- **Nenaudokite krūmapjovės dujinėje ar sprogioje atmosferoje.** Šių įrenginių varikliai paprastai kibirkščiuoja, o kibirkštys gali uždegti garus.

- **Krūmapjovės gedimai** – jei krūmapjovė atsitrenks į pašalinį objektą ar įspainios, nedelsiant sustabdykite įrankį, patikrinkite, ar neatsirado gedimų ir, jeigu taip, prieš bandydami tęsti darbą sutaisykite krūmapjovę. Nedirbkite su sulūžusiu apsaugos gaubtu ar peiliu.

- **Jeį įrenginys pradeda neįprastai vibruoti, nedelsdami išjunkite variklį ir nustatykite priežastį.** Vibracija paprastai įspėja apie problemą. Atsilaisvinęs peilis gali vibruoti, įtrūkti, lūžti ar nulėkti nuo krūmapjovės ir sukelti sunkią ar mirtiną traumą. Įsitinkite, kad pjovimo priedas tinkamai sumontuotas ir patikimai įtvirtintas. Jei peilis atsilaisvina įstačius jį į vietą, nedelsiant jį pakeiskite. Niekada nedirbkite krūmapjove su atsilaisvinusiu pjovimo priedu.

- Siekdami sumažinti sužalojimų pavojų dėl kontrolės pradžios, niekada nedirbkite stovėdami ant kopėčių arba kito nestabiliaus pagrindo. Niekada nelaikykite pjovimo prietaiso virš juosmens.
- Tvirtai stovėkite ir išlaikykite pusiausvyrą. Nesiekite per toli. Pjovimo priedą laikykite žemiau juosmens. Visas kūno dalis laikykite toliau nuo besisukančio pjovimo priedo.
- Nedelsiant pakeiskite įtrūkusį, pažeistą ar sudilusį peilį – net tada, kai pažeidimas apsiriboja paviršiniaus įtrūkimais. Tokie priedai sukdamiesi dideliu greičiu gali subyrėti ir sukelti sunkių arba mirtinų sužalojimų.
- Tikrinkite pjovimo įtaisą reguliariais trumpais intervalais darbo metu arba tuoj pat, jei yra pastebimas pjovimo pobūdžio pokytis.
- Artindamiesi sustabdykite variklį ir pjovimo priedą. Naudojant įrankį su peiliu egzistuoja papildomas pašalinių asmenų sužeidimo judančiu peiliu pavojus dėl peilio atoveiksmio ar kitos netikėtos peilio reakcijos.
- Įspėkite operatorių apie peilio sukeliama atoveiksmio keliamą pavojų.
 - Peilio atoveiksmis gali įvykti, kai besisukantis peilis atsitrenkia į objektą, kurio negali iškart nupjauti.
 - Peilio atoveiksmis gali būti pakankamai staigus, kad sukeltų įrenginio ir (arba) operatoriaus postūmį bet kokiu kryptimi, dėl kurio galite prarasti įrenginio kontrolę.
 - Peilio atoveiksmis gali įvykti be jokio įspėjimo, jei peilis užklius, įstrigs ar bus suspaustas.
 - Peilio atoveiksmis labiau tikėtinas vietose, kuriose sunku matyti pjaunamą medžiagą.
- Ant įrenginio nesumontuokite jokio peilio tinkamai nesumontavę visų būtinų dalių. Naudojant netinkamas dalis peilis gali nuskrėsti nuo krūmapjovės ir sunkiai sužeisti operatorių ir (arba) pašalinius asmenis. Išmeskite sulenktus, deformuotus, įtrūkusius, sulūžusius ar kitaip pažeistus peilius. Naudokite aštrų peilį. Didesnė tikimybė, kad bukas peilis užklius ir sukurs atoveiksmį.
- Iš inercijos besisukantis peilis gali sužeisti, nes jis vis dar sukasi sustabdžius variklį ar atleidus paleistuką. Išlaikykite tinkamą krūmapjovės kontrolę, kol peilis visiškai sustos.
- Nekraukite sudėtinės baterijos lietuje arba esant drėgnoms sąlygoms.
- Naudokite tik toliau nurodytas sudėtinės baterijas ir įkroviklius:

BATERIJA	ĮKROVIKLIS
BA1120E, BA2240E, BA2800	CH2100E CH5500E

- Prieš atiduodant įrenginį į metalo laužą, būtina išimti akumulatorių.
- Nemeskite baterijos į ugnį. Elementai gali sprogti. Susipažinkite su vietoje galiojančiais teisės aktais, kuriuose gali būti pateikti specialūs šalinimo nurodymai.
- Draudžiama atidaryti arba gadinti bateriją. Išbėgęs elektrolitas sukelia koroziją ir gali pakenkti akims ar odai. Jis gali būti toksiškas prarijus.
- Siekdami išvengti trumpojo jungimo atsargiai elkitės su žoliapjovės baterijomis: venkite tokių laidininkų, kaip žiedai, apyrankės ir raktai. Baterija arba laidininkas gali įkaisti ir sukelti nudegimus.
- Atsarginės dalys – atlikdami techninę priežiūrą naudokite tik identiškas EGO atsargines dalis. Bet kokio kito priedo arba prietaiso naudojimas kelia sužalojimo riziką.
- Baterijų nereikia įjungti į elektros lizdą; jos visada yra darbinės būsenos. Net įrenginiui neveikiant neužmirškite apie jo keliamus pavojus. Atlikdami remonto arba techninės priežiūros darbus, būkite atidūs.
- Prieš vykdydami techninę priežiūrą, valydami ar šalindami medžiagas nuo krūmapjovės išimkite arba atjunkite akumulatorių bateriją.
- Neplaukite žoliapjovės su vandens žarna. Saugokite, kad vandens nepatektų ant variklio ir elektros jungčių.
- Susidarius šioje instrukcijoje neaprašyti situacijai, būkite atsargūs ir vadovaukitės sveika nuovoka. Dėl techninės pagalbos kreipkitės į EGO klientų aptarnavimo centrą.
- Išsaugokite šias instrukcijas. Dažnai jas pavartykite ir naudokitės jomis mokydami kitus asmenis, kurie gali naudoti šį prietaisą. Skolindami šį prietaisą kam nors kitam, taip pat paskolinkite ir šias instrukcijas, kad būtų išvengta netinkamo produkto naudojimo arba galimo susižeidimo.

PASTABA: PAPILDOMAS SAUGOS TAISYKLES ŽR. ELEKTRINĖS GALVUTĖS NAUDOJIMO INSTRUKCIJOJE

LT

TECHNINIAI DUOMENYS

Pjovimo plotis	30 cm	
Sūtkiai be apkrovos	5000/6000 min ⁻¹	
Svoris	1,82 kg	
Išmatuotas garso galios lygis L _{WA}	96,5 dB(A) K=1,88 dB(A)	
Garso slėgio lygis ties operatoriaus ausimi L _{PA}	84,5 dB(A) K=3 dB(A)	
Garantuojamas garso galios lygis L _{WA} (išmatuotas pagal 2000/14/EB)	98 dB(A)	
Vibracija a _h	Priekinė pagalbinė rankena	2,8 m/s ² k=1,6 m/s ²
	Galinė rankena	3,1 m/s ² k=1,6 m/s ²

- Nurodyti parametrai patikrinti ir išmatuoti su elektrine galvute PH1400E;
- Nurodyta bendroji vibracijos vertė išmatuota taikant standartinį bandymo metodą, todėl pagal ją galima palyginti skirtingus įrenginius.
- Nurodytą bendrąją vibracijos vertę taip pat galima naudoti pirminiam poveikio vertinimui.

PASTABA: Naudojant įrenginį realiomis sąlygomis, skleidžiamos vibracijos stiprumo vertė gali skirtis nuo nurodytos. Kad apsaugotų dirbdamas realiomis sąlygomis, naudotojas turi mūvėti pirštines ir naudoti ausų apsaugos priemones.

Rekomenduojamas peilis

DALIES PAVADINIMAS	MODELIO NUMERIS
Krūmapjovės peilis	ABB1203

PAKUOTĖS TURINIO SĄRAŠAS

DALIES PAVADINIMAS	SKAIČIUS
Krūmapjovės priedas	1
Peilio ir dėklo rinkinys	1
Apsaugos priemonė	1
Apsauginis priedas (skirtas naudoti TIK su žoliapjovės galvute)	1
šešiakampis raktas	1
Universalus veržliaraktis	1
Naudojimo instrukcija	1

LT

APRAŠAS

SUSIPAŽINKITESU KRŪMAPJOVĖS PRIEDU (A pav.)

1. Kamštelis
2. Krūmapjovės velenas
3. Apsaugos priemonė
4. Peilis
5. Peilio dėklas
6. Sąvarža
7. Sandarinimo varžtas
8. Reduktoriaus korpusas
9. Veleno fiksavimo kiaurymė
10. Išorinė jungė
11. Universalus veržliaraktis
12. Šešiabriaunis raktas
13. Apsauginis priedas (skirtas naudoti TIK su žoliapjovės galvute)

⚠️ ĮSPĖJIMAS: niekada nenaudokite įrenginio, kai jo apsaugos priemonė nėra tvirtai užfiksuota tinkamoje padėtyje. Apsauginis gaubtas visada turi būti ant įrankio, kad apsaugotų naudotoją.

⚠️ ĮSPĖJIMAS: Kai įrankis naudojamas kaip žoliapjovė su valu su pjovimo galvute, apsauginį priedą reikia sumontuoti ant apsauginio gaubto. To nepaisant gali išsitraukti per ilgus valo galas ir perkrauti variklį.

SURINKIMAS

⚠️ ĮSPĖJIMAS: jeigu bet kuri dalis yra sugadinta arba jos trūksta, nenaudokite šio įrenginio, kol ji nebus pakeista. Jeigu įrenginys naudojamas, kai dalys yra sugadintos arba jų trūksta, galima sunkiai susižeisti.

⚠️ ĮSPĖJIMAS: nebandykite keisti šio įrenginio arba kurti priedus, kurių nerekomenduojama naudoti su šia žoliapjove. Bet koks pakeitimas arba modifikavimas yra laikomas netinkamu naudojimu, dėl kurio gali susidaryti pavojingos sąlygos, kurių metu galite sunkiai susižaloti.

⚠️ ĮSPĖJIMAS: Visada sumontuodami ar nuimdami peilį arba apsauginį gaubtą, ar atlikdami peilio priežiūros darbus mūvėkite tvirtos medžiagos pirštines. Atidžiai stebėkite peilį ir saugokite savo rankas, kad nesusižeistumėte jį peilį.

⚠️ ĮSPĖJIMAS: Neprijunkite elektrinės galvutės, kol visiškai nesumontuosite įrankio. To nepaisant gali netyčia įsijungti įrankis ir sukelti sunkią traumą.

PASTABA: tinkama krūmapjovės priedo surinkimo seka: pirmiausiai uždėkite apsauginį gaubtą, po to peilį ir pabaigoje elektrinę galvutę.

⚠️ ĮSPĖJIMAS: Niekada nedirbkite įrankiu be apsauginio gaubto ir priekinės pagalbinės rankenos su tvirtai pritvirtintu užtvaru. To nepaisant galite patirti sunkią traumą.

APSAUGOS PRIEMONĖS MONTAVIMAS

1. Pakelkite krūmapjovės galvutę ir nukreipkite ją žemyn; sutapdinkite dvi apsauginio gaubto tvirtinimo kiaurymes su dviem varžtais, kurie iš anksto sumontuoti ant tvirtinimo plokštės. Įsitikinkite, kad vidinis apsauginio gaubto paviršius nukreiptas į krūmapjovės galvutę (C pav.).
2. Užfiksukite apsauginį gaubtą varžtais ir pridėdamu šešiabriauniu veržliarakčiu (D pav.).

PEILIO MONTAVIMAS

1. Peilis išsiunčiamas dėkle. Prieš sumontuodami peilį ant krūmapjovės nuo peilio reikia nuimti dėklą (atsukant sąvaržą nuo kablo, esančio ant dėklo) (E pav.).

Toliau pateiktas E pav. parodytų dalių aprašas:

E-1	Kablys
E-2	Sąvaržas

2. Sukdami išorinį antbriaunį sutapdinkite vidiniame antbriaunyje esančią išdrožą su reduktoriaus korpuso veleno fiksavimo kiauryme (F pav.).
3. Į sutapdintas kiaurymes įkiškite pridėdamą šešiabriaunį raktą kaip stabilizatorių (G pav.).

F ir G pav. pavaizduotų dalių aprašymas:

F-1	Reduktorius korpusas	F-3	Išorinis antbriaunis
F-2	Sutapdintos veleno fiksavimo kiaurymės	G-1	Fiksatorius

4. Atremkite krūmapjovės galvutę į kieto paviršių. Viena ranka suimkite krūmapjovės veleną ir kita ranka paimkite pridėdamą universalų raktą ir rodyklės ant išorinio antbriaunio kryptimi atlaisvinkite veržlę, ją atsukite ir nuimkite išorinį antbriaunį. Pasidėkite šias dalis, kad galėtumėte sumontuoti atgal (H pav.).
5. Uždėkite peilį ant variklio veleno taip, kad peilio paviršius būtų sulig vidinio antbriaunio išsikišimu. Po to sumontuokite išorinį antbriaunį ir užsukite veržlę (I pav.). Priveržkite veržlę ranka **PRIEŠ LAIKRODŽIO RODYKLĘ**.

Toliau pateiktas I pav. parodytų dalių aprašas:

I-1	Vidinio antbriaunio išsikišimas	I-4	Išorinis antbriaunis
I-2	Variklio velenas	I-5	Peilis
I-3	Veržlė		

6. Sukdami išorinį antbriaunį sutapdinkite vidinio antbriaunio išdrožą su reduktoriaus korpuso veleno fiksavimo kiauryme ir į sutapdintas kiaurymes įkiškite pridėdamą šešiabriaunį veržliaraktį kaip fiksatorių (kaip parodyta ankstesniuose 2 ir 3 punktuose).
7. Atremkite krūmapjovės galvutę į kieto paviršių. Viena ranka suimkite peilį ir kita ranka paimkite pridėdamą universalų raktą ir priešinga rodyklei ant išorinio antbriaunio kryptimi priveržkite veržlę. (J pav.).

Apsauginio priedo naudojimas

PASTABA: kai įrankis naudojamas kaip žoliapjovė su valu su pjovimo galvute, apsauginį priedą būtina sumontuoti ant apsauginio gaubto (K pav.).

Apsauginį priedą pridėdamu šešiabriauniu veržliarakčiu pritvirtinkite ant apsauginio gaubto trimis varžtais. To nepaisant gali išsitraukti per ilgą valo galas ir perkrauti variklį.

KRŪMAPJOVĖS PRIEDO SUJUNGIMAS SU ELEKTRINE GALVUTE

Šis krūmapjovės priedas skirtas naudoti su EGO elektrine galvute PH1400E.

Žr. „PRIEDO SUJUNGIMAS SU ELEKTRINE GALVUTE“ skyrių elektrinės galvutės PH1400E operatoriaus vadove.

NAUDOJIMAS

⚠️ ĮSPĖJIMAS: mokėjimas naudotis įrenginiu nesuteikia teisės dirbti nerūpestingai. Atsiminkite, kad trumpam atitraukę dėmesį galite sunkiai susižaloti.

⚠️ ĮSPĖJIMAS: visada dėvėkite apsauginius akinius su šoniniais skydeliais. Taip pat dėvėkite ausų apsaugą. Nesilaikant šio nurodymo, objektai gali būti sviedžiami jums į akis arba galite būti kitaip sunkiai sužaloti.

NAUDOJIMAS

Šį gaminį galite naudoti toliau tekste nurodyta paskirtimi:

- Priplaktos žolės, piktžolių, atžalų ir krūmokšnių pjovimas, jaunų miško želdinių, kurių kamieno skersmuo 2 cm, retinimas.

PASTABA: įrankį naudoti tik pagal numatytąją paskirtį. Naudojimas bet koku kitu tikslu laikomas netinkamu naudojimu.

KRŪMAPJOVĖS NAUDOJIMAS SU ELEKTRINE GALVUTE

⚠️ ĮSPĖJIMAS: dirbdami su šiuo įrankiu tinkamai apsirengkite, kad sumažintumėte traumų pavojų. Nedėvėkite laisvų drabužių ir nenešiokite laisvai kabančių papuošalų. Būkite užsidėję akių ir ausų / klausos organų apsaugos priemonės. Mūvėkite tvirtos medžiagos ilgas kelnes ir pirštines, avėkite tinkamus batus. nedirbkite su trumpomis kelnėmis, su sandalais ar basomis.

Kad dirbti būtų saugiau ir geriau, penies diržą uždėkite skersai penies. Pakoreguokite diržą per petį, kad jis atsidurtų patogioje darbinėje padėtyje. Laikykite krūmapjovę viena ranka už galinės rankenos, kita – už priekinės pagalbinės rankenos. Dirbdami laikykite tvirtai paėmę abiem rankomis. Krūmapjovę reikia laikyti patogioje padėtyje taip, kad galinė rankena būtų maždaug klubų aukštyje. Įrankį laikykite išlaikydami pusiausvyrą ant abiejų kojų. Pasirinkite tokią padėtį, kad jūsų neišmuštų iš pusiausvyros pjovimo peilio atatrakos reakcija (B pav.).

⚠️ ĮSPĖJIMAS: Penies diržas kartu yra greitai atjungiamas mechanizmas pavojingoje situacijoje. Susidarius kritinei situacijai nedelsiant nuimkite penies diržą, nepaisydami kokioje padėtyje yra diržas.

Norėdami pjauti atžalas ir krūmokšnius nuleiskite besisukantį peilį ant augalo, kad pasiektumėte kapojimo efektą. Žemės paviršiaus lygyje krūmapjovę naudokite kaip dalgį (mojuokite juo į dešinę ir į kairę). Nenaudokite pjovimo priedo virš juosmens aukščio.

⚠️ ĮSPĖJIMAS: Kuo pjovimo priedas aukščiau nuo žemės paviršiaus, tuo didesnis į šonus išmetamų nuopjovų keliamas traumų pavojus.

⚠️ ĮSPĖJIMAS: Pjaudami jaunuolynus ar kitą medinę medžiagą iki 2 cm skersmens naudokite kairiąją peilio pusę, kad išvengtumėte peilio atoveiksmio situacijų. Nebandykite pjauti didesnio skersmens medinės medžiagos, nes peilis gali įstrigti ar trūktelėti krūmapjovę pirmyn. Dėl to gali būti pažeistas peilis ar krūmapjovė arba galite prarasti krūmapjovės kontrolę ir susižeisti.

⚠️ ĮSPĖJIMAS: Netinkamai naudojant krūmapjovės peilį jis gali įtrūkti, išsidaužyti arba ištrupėti.

Išsviestos dalys gali sunkiai sužeisti operatorių arba pašalinį asmenį. Norint sumažinti traumų pavojų svarbiausia imtis šių atsargumo priemonių:

- Vengti kontaktų su kietais ar tvirtais pašaliniais objektais, tokiais kaip akmenimis, uolomis ar metalo gabalais.
- Niekada nepjunkite medelių ar krūmokšnių, kurių kamieno skersmuo didesnis kaip 2 cm.
- Reguliariai, trumpais laiko intervalais tikrinkite peilį, ar nėra pažeidimų požymių. Nedirbkite su pažeistu peiliu.
- Reguliariai galąskite peilį (jam pastebimai atšipus) ir, jei reikia, subalansuokite jį (tai turi atlikti kvalifikuotas techninės priežiūros specialistas).

PEILIO ATOVEIKSMIS

Naudodami peilį su šiuo įrankiu būkite itin atsargūs. Peilio atoveiksmis yra reakcija, kuri susidaro, kai besisukantis peilis atsirenkia į kažką, ko negali perpjauti. Dėl šio kontakto peilis gali akimirksniu sustoti ir staigiai „pastumti“ įrankį tolyn nuo objekto, į kurį atsitrenkė. Ši reakcija gali būti pakankamai staigi, kad operatorius prarastų įrankio kontrolę. Peilio atoveiksmis gali įvykti be jokio įspėjimo, jei peilis užklius, įstrigs ar bus suspaustas. Tai labiau tikėtina vietose, kuriose sunku matyti pjaunamą medžiagą. Norėdami pjauti lengviau ir saugiau prie pjaunamų piktžolių krūmapjovę artinkite iš dešinės į kairę. Jeigu netyčia susidursite su netikėtu objektu ar medienos gabalu, toks metodas sumažins peilio atoveiksmio reakciją.

Kaskart prieš naudodami įrankį patikrinkite, ar nėra pažeistų ir (arba) sudilusių dalių.

Patikrinkite peilį, apsauginį gaubtą ir priekinę pagalbinę rankeną ir pakeiskite dalis, kurios yra įtrūkusios, deformuotos, sulinkusios ar kitaip pažeistos.

Per tam tikrą laiką peilio galas gali atšipti. Rekomenduojama apverstį peilį, kad pratęstumėte jo tarnavimo laiką, ir periodiškai jį galąstumėte (tai turi atlikti kvalifikuotas techninės priežiūros specialistas) arba, esant reikalui, jį pakeistumėte.

Kaskart pasinaudoję krūmapjovę ją išvalykite

Valymo instrukcijas žr. **TECHNINĖ PRIEŽIŪRA** skyriuje.

⚠️ ĮSPĖJIMAS: Prieš valydami krūmapjovę ar atlikdami jos techninę priežiūrą įsitikinkite, kad peilis visiškai sustojo. To nepaisant galite patirti sunkią traumą.

KAIP ĮJUNGTI / SUSTABDYTI ĮRANKĮ

Žr. elektrinės galvutės PH1400E naudojimo instrukcijos skyrių **ELEKTRINĖS GALVUTĖS PALEIDIMAS IR SUSTABDYMAS**.

TECHNINĖ PRIEŽIŪRA

⚠️ ĮSPĖJIMAS: Prieš tikrindami, valydami įrankį ar atlikdami techninę o priežiūrą sustabdykite variklį, palaukite, kol sustos visos judančios dalys, ir išimkite akumuliatorių bateriją. Nesilaikydami šių nurodymų galite sunkiai arba net mirtinai susižaloti arba sugadinti turtą.

⚠️ ĮSPĖJIMAS: Atlikdami techninės priežiūros darbus, naudokite tik identiškas atsargines dalis. Naudojant bet kokias kitas dalis, gali kilti pavojus arba sugesti gaminys. Norint užtikrinti saugų ir patikimą gaminio naudojimą visus remonto darbus turi atlikti kvalifikuotas techninės priežiūros specialistas.

⚠️ ĮSPĖJIMAS: Visada sumontuodami ar nuimdami peilį ar atlikdami peilio priežiūros darbus mėvėkite tvirtos medžiagos pirštines. Atidžiai stebėkite peilį ir saugokite savo rankas, kad nesusižeistumėte į peilį.

BENDROJI TECHINĖ PRIEŽIŪRA

Valydami plastikines dalis venkite naudoti tirpiklius. Įvairūs komerciniai tirpikliai gali pažeisti daugelį plastikų ir neturėtų būti naudojami, nes gali sugadinti gaminį. Purva, dulkes, alyva, tepalus ir t. t. valykite švariu audeklu.

ĮRENGINIO VALYMAS

- Išimkite akumuliatorių bateriją.
- Kaskart pasinaudoję įrankiu minkštu šepečiu nuvalykite ant peilio susikaupusias atliekas, žemę ar žolę
- Įrankio paviršių nušluostykite švariu audeklu, suvilgytu silpname muilo tirpale.
- Reduktoriaus korpuso angas išvalykite mažu šepetėliu ar dulkių siurbliu.
- Užtikrinkite, kad oro angose nebūtų jokių kliūčių.

Atšipus peiliui, abiemis jo galams, jį paglašti turi kvalifikuotas techninės priežiūros specialistas arba, jei reikia, pakeisti.

PEILIO KEITIMAS

⚠️ ĮSPĖJIMAS: Sudilęs, įtrūkęs ar pažeistas peilis gali sutrūkti į dalis, kurios gali tapti pavojingomis skeveldromis. Išsviesti objektai gali sunkiai sužeisti. Reguliariai tikrinkite peilį ir nenaudokite krūmaplovės su sudilusiu ar pažeistu peiliu.

⚠️ ĮSPĖJIMAS: Išimdami, glašdami ir sumontuodami peilį naudokite tinkamas akių apsaugos priemones.

Peilio išėmimas

1. Išimkite akumuliatorių bateriją.
2. Sukdami išorinį antbriaunį sutapdinkite vidinio antbriaunio išdrožą su reduktoriaus korpuso veleno fiksavimo kiauryme ir į sutapdintas kiaurymes įkiškite pridėdamą šešiabriaunį veržliaraktį kaip fiksatorių, kaip parodyta 2 ir 3 skyriaus „PEILIO MONTAVIMAS“ punktuose.
3. Atremkite krūmaplovės galvutę į kieto paviršių. Viena ranka suimkite peilį ir kita ranka paimkite pridėdamą universalų raktą ir rodyklės ant išorinio antbriaunio kryptimi atlaisvinkite veržlę, ją atsukite ir nuimkite išorinį antbriaunį ir sudilusį peilį (L pav.).
4. Jei sudilęs vidinis antbriaunis ir antbriaunio gaubtas, pakeiskite juos (M pav.).

Toliau pateiktas M pav. parodytų dalių aprašas:

M-1	Variklio velenas	M-5	Išorinis antbriaunis
M-2	Vidinis antbriaunis	M-6	Veržlė
M-3	Antbriaunio gaubtas	M-7	Antbriaunio išdroža
M-4	Peilis		

5. Sumontuokite naują peilį veiksmų seka, pavaizduota M pav. Išsamiai veiksmams aprašomi 5, 6 ir 7 „PEILIO MONTAVIMAS“ skyriaus punktuose.

TRANSMISIJOS REDUKTORIAUSTEPIMAS

Reduktoriaus korpuse sumontuotus perdavimo krumpliaračius būtina reguliariai tepti reduktorių tepalu. Tepalo lygį reduktoriaus korpuse tikrinkite maždaug kas 50 darbo valandų, tai galite atlikti išsukdami korpuso šone esantį sandarinimo varžtą.

Jei ant krumpliaračių šonų nesimato tepalo, atlikite toliau nurodytus veiksmus, kad pripildytumėte iki 3/4 tepalo talpos.

Visiškai nepripildykite perdavimo reduktoriaus.

1. Laikykite krūmaplovę taip, kad sandarinimo varžtas būtų viršuje (N pav.).
2. Universaliu veržliarakčiu atlaisvinkite ir išsukite sandarinimo varžtą.
3. Tepalo švirkštu (nepriedamas) įstumkite tepalą į varžto kiaurymę.
4. Baigę užveržkite sandarinimo varžtą.

ĮRENGINIO SANDĖLIAVIMAS

- Nuo įrankio nuimkite akumuliatorių bateriją.
- Norėdami kruopščiai išvalyti įrankį mėvėkite tvirtu audinio pirštines.
- Uždėję dėklą ant peilio saugiai laikykite peilį (O pav.).
- Nuimkite krūmaplovės priedą nuo elektrinės galvutės ir, jei reikia, ant priedo veleno galo uždėkite kamštelį.
- Įrenginį sandėliuokite sausoje, gerai vėdinamoje, rakinamoje patalpoje arba aukštai, vaikams nepasiekiamoje vietoje. Nelaikykite įrankio ant arba prie trąšų, benzino ar kitų cheminių medžiagų.

Aplinkos apsauga



Neišmeskite elektros įrangos, akumuliatoriaus įkroviklio ir baterijų / akumuliatorių su buitiniams atliekoms!

Pagal Europos Parlamento ir Tarybos direktyvas 2012/19/EB ir 2006/66/EB nenaudojama elektros bei elektronikos įranga ir nenaudojami arba sugedę akumuliatoriai ir (arba) baterijos turi būti surenkami atskirai.

Elektros prietaisus užkasus su atliekomis arba išmetus sąvartynuose, pavojingos medžiagos gali patekti į gruntinį vandenį ir į maisto grandinę, taip pakenkti jūsų sveikatai ir gerovei.

EB ATITIKTIES DEKLARACIJA



Mes, EGO EUROPE GMBH

Wahlwiesenstrasse 1, D-71711 Steinheim an der Murr
Deutschland

Pareiškiame, kad gaminy **belaidis grandininis pjūklas su ilginimo kotu ir 56 V ličio jonų baterija BCA1200** bei elektrine galvute PH1400E

atitinka esminius toliau tekste nurodytų direktyvų sveikatos ir saugos reikalavimus:

2006/42/EB, 2014/30/ES, 2011/65/ES, 2000/14/EB

Standartai ir techninės specifikacijos, kuriais remiamasi:

EN ISO 11806-1, EN 60745-1, EN 55014-1, EN 55014-2

Išmatuotas garso galios lygis: 96,5 dB(A).

Garantuojamas garso galios lygis: 98 dB(A).

Peter Melrose
„EGO Europe GmbH“
vykdomasis direktorius

Dong Jianxun
„Chervon“ kokybės vadovas

* (CHERVON įgaliojasis atstovas ir už techninę dokumentaciją atsakingas asmuo)

01/12/2016

TRIKČIŲ ŠALINIMAS

PROBLEMA	PRIEŽASTIS	SPRENDIMAS
Neįsijungia krūmapjovė	<ul style="list-style-type: none"> ■ Akumuliatorius neprijungtas prie elektrinės galvutės. ■ Nėra elektros kontakto tarp elektrinės galvutės ir akumulatoriaus. ■ Akumuliatorius visiškai išsekęs. ■ Nenuspausta fiksavimo svirtis ir gaidukas. 	<ul style="list-style-type: none"> ■ Prijunkite akumuliatorių prie elektrinės galvutės. ■ Išimkite akumuliatorių, patikrinkite kontaktus ir įdėkite akumuliatorių bateriją atgal, kol ji užsifiksuoja. ■ Įkraukite akumuliatorių šioje naudojimo instrukcijoje nurodytais EGO įkrovikliais. ■ Akumuliatorių bateriją įkraukite naudodami aprašyme išvardintus EGO įkroviklius.
Pjaunant sustoja krūmapjovė.	<ul style="list-style-type: none"> ■ Perkrautas variklis. ■ Akumuliatorius arba elektrinė galvutė pernelyg įkaitusi. ■ Sudėtinė baterija arba žoliapjovė yra per daug įkaitusios. ■ Sudėtinė baterija yra atjungta nuo įrenginio. 	<ul style="list-style-type: none"> ■ Variklis atsigaus pašalinus apkrovą. Dirbdami nepertraukiamai sumažinkite elektrinės galvutės apkrovą. ■ Palaukite, kol akumuliatorių baterijos ar elektrinės galvutės temperatūra sumažės iki mažesnės už 152 °F (67 °C) temperatūros. ■ Vėl įstatykite akumuliatorių. ■ Įkraukite akumuliatorių šioje naudojimo instrukcijoje nurodytais EGO įkrovikliais.

GARANTIJA

EGO GARANTINIS POLISAS

Norėdami sužinoti visas „EGO“ garantinio poliso sąlygas, apsilankykite interneto svetainėje egopowerplus.com.

IZLASIET VISUS NORĀDĪJUMUS!



IZLASIET LIETOTĀJA ROKASGRĀMATU

⚠ Atlikušā sprieguma apdraudējums! Cilvēkiem, kuri izmanto elektroniskas ierīces, piemēram, elektrokardiostimulatorus, pirms šīs ierīces lietošanas jāsazinās ar savu ārstējošo ārstu. Elektroierīču darbība tuvu elektrokardiostimulatoram var izraisīt traucējumus vai tā atteici.

⚠ BRĪDINĀJUMS. Lai garantētu drošību un uzticamību, ierīces remontu un tās detaļu nomainītu veikt drīkst tikai kvalificēts apkopes tehniķis.

DROŠĪBAS APZĪMĒJUMI

Drošības apzīmējumu nolūks ir pievērst uzmanību iespējamam apdraudējumam. Drošības apzīmējumiem un to skaidrojumiem jāpievērš īpaša uzmanība, un tie pilnībā jāizprot. Apzīmējumu brīdinājumi paši par sevi nenovērš apdraudējumu. Apzīmējumos iekļautie norādījumi un brīdinājumi neaizstāj atbilstošus darba drošības pasākumus.

⚠ BRĪDINĀJUMS. Pirms šī darbarīka lietošanas noteikti izlasiet un izprotiet visus šajā lietošanas rokasgrāmatā iekļautos norādījumus, tostarp visus drošības brīdinājumu apzīmējumus, piemēram, „**BĪSTAMI**”, „**BRĪDINĀJUMS**” un „**UZMANĪBU!**”. Neievērojot tālāk uzskaitītos norādījumus, var rasties elektrotrauma, aizdegšanās un/vai smaga trauma.

APZĪMĒJUMA NOZĪME

⚠ DROŠĪBAS BRĪDINĀJUMA APZĪMĒJUMS: Atbilst norādei **BĪSTAMI**, **BRĪDINĀJUMS** vai **UZMANĪBU!** Var tikt izmantots kopā ar citiem apzīmējumiem un piktogrammām.



⚠ RĪDINĀJUMS. Mehānizēto darbarīku lietošanas laikā acis var iekļūt svešķermeņi, kas savukārt var radīt smagu acu traumu. Pirms mehānizētā darbarīka izmantošanas vienmēr uzlieciet aizsargbrilles vai aizsargbrilles ar sānu aizsargiem un pilnu sejas aizsargu (ja nepieciešams). Uz parastajām brillēm vai standarta aizsargbrillēm ar sānu aizsargiem ieteicams uzlikt plata skata leņķa drošības masku.

DROŠĪBAS NORĀDĪJUMI

Šajā lappusē ir parādīti un aprakstīti drošības apzīmējumi, kas var atrasties uz izstrādājuma. Pirms ierīces salikšanas un lietošanas izlasiet, izprotiet un izpildiet visus norādījumus.

	Drošības brīdinājums	Norāda uz iespējamu ievainojumu gūšanas risku.
	Izlasiet lietošanas rokasgrāmatu	Lai mazinātu traumu rašanās bīstamību, pirms šī izstrādājuma lietošanas tā lietotājam jāizlasa un jāizprot lietošanas rokasgrāmata.
	Izmantojiet acu aizsargglīdzekļus	Lietojot šo izstrādājumu, vienmēr izmantojiet aizsargbrilles vai aizsargbrilles ar sānu aizsargiem un pilnu sejas aizsargu.
	Izmantojiet dzirdes aizsargglīdzekļus	Zaru zāģa radītais troksnis var bojāt dzirdi. Vienmēr valkājiet trokšņu slāpētājus (ausu ieliktnus vai kašņē), lai aizsargātu dzirdi.
	Lietojiet galvas aizsargglīdzekļus	Valkājiet apstiprinātu cieto aizsargcepurīti, lai pasargātu savu galvu.
	Lietojiet aizsargcimdus	Aizsargājiet savas rokas, valkājot cimdus, kad darbojaties ar zāģi vai tā ķēdi. Neslidoši augstākās aizsardzības pakāpes aizsargcimdi palīdz iegūt labāku satvērienu un aizsargāt jūsu rokas.
	Valkājiet drošības apavus	Lietojot šo aprīkojumu, valkājiet drošības apavus ar neslidošu zoli.
	Griešanas platums	Maksimālais krūmgrieža griešanas platums
	Sargieties no asmens atsītienu	Brīdiniet operatoru par asmens atsītienu briesmām.

	Rikošets	Lidojoši priekšmeti var atstāties un radīt miesas bojājumus vai kaitējumu īpašumam.
		Neļaujiet tuvoties nepiederošām personām
	Nav paredzēts izmantot apaļas formas asmeni	Neuzstādiēt apaļās formas griešanas asmeņus.
	Nepakļaujiet lietuv iedarbībai	Neizmantojiet lietuv vai neatstājiet ārā, kamēr list lietuv.
	CE	Šis izstrādājums atbilst piemērojamajām Eiropas Komisijas (EK) direktīvām.
	EEIA	Elektriskos izstrādājumus nedrīkst utilizēt kopā ar sadzīves atkritumiem. Nogādājiet tos pilnvarotam atkritumu pārstrādātājam.
	Troksnis	Garantētais trokšņa jaudas līmenis. Trokšņa emisija vidē atbilst Eiropas Komisijas direktīvas prasībām.
V	Volti	Spriegums
mm	Milimetrs	Garums vai izmērs
cm	Centimetrs	Garums vai izmērs
in.	Colla	Garums vai izmērs
kg	Kilograms	Svars

SVARĪGI DROŠĪBAS NORĀDĪJUMI

⚠ BRĪDINĀJUMS. Izmantojot auklas trimerus, vienmēr veiciet pamata piesardzības pasākumus, lai mazinātu aizdegšanās, elektrotraumas, traumu rašanās draudus, un ievērojiet tālāk sniegtās norādes.

RŪPĪGI IZLASIET PIRMS LIETOŠANAS

SAGLABĀJIET TURPMĀKĀM UZZINĀM

⚠ BĪSTAMI! Elektrotraumas nepieļaušanai nepaļaujieties tikai uz darbarīka izolāciju. Lai mazinātu nāvējošas elektrotraumas draudus, nekādā gadījumā nelietojiet ierīci tādu vadu vai kabeļu tuvumā, kuros varētu plūst strāva.

⚠ UZMANĪBU! Lietojot ierīci, izmantojiet piemērotus dzirdes aizsarglīdzekļus. Dažos gadījumos un zināmā laika intervālā šī izstrādājuma radītais troksnis var izraisīt dzirdes zudumu.

Apmācība

- Rūpīgi izlasiet visus norādījumus. Iepazīstieties ar izstrādājuma vadības elementiem un pareizu ierīces lietošanu.
- Nekādā gadījumā neļaujiet ierīci lietot cilvēkiem, kas nav iepazinušies ar šiem norādījumiem, kā arī bērniem. Vietējie noteikumi var ierobežot ierīces lietotāja vecumu.
- Ņemiet vērā, ka ierīces lietotājs vai operators ir atbildīgs par negadījumiem vai apdraudējumiem, kas var rasties citiem cilvēkiem vai īpašumam.

Sagatavošanās

- Nelietojiet ierīci, ja tuvumā ir cilvēki, it īpaši bērni vai mājdzīvnieki.
- Izmantojot ierīci, vienmēr lietojiet acu aizsarglīdzekļus un izturīgus apavus.
- Attālumam starp iekārtu un tuvumā esošām nepiederošām personām jābūt vismaz 15 m.

Lietošana

- Lietojiet ierīci tikai dienas laikā vai labā maksīgā apgaismojumā.
- Nekādā gadījumā neizmantojiet ierīci ar bojātiem aizsargiem vai pārsegjiem vai bez aizsargiem un pārsegjiem.
- Iedarbiniet motoru tikai tad, ja rokas un kājas neatrodas griezējelementu tuvumā.
- Vienmēr atvienojiet ierīci no barošanas avota (proti, atvienojiet ierīces barošanas kabeli no elektrotīkla vai noņemiet izslēgšanas ietaisi) šādos gadījumos:
 - atstājot ierīci bez uzraudzības;
 - pirms nosprostojuša tīrīšanas;
 - pirms ierīces pārbaudes, tīrīšanas vai apkopes;
 - pēc ierīces sadursmes ar svešķermeni;
 - ja ierīce sāk neparasti vibrēt.
- Nepieļaujiet traumu rašanos, kājām un rokām saskaroties ar griezējelementiem.

- Gādājiet, lai ventilācijas atverēs nebūtu grūžu.

Apkope un uzglabāšana

- Pirms ierīces apkopes vai tīrīšanas atvienojiet to no barošanas avota (proti, atvienojiet ierīces barošanas kabeli no elektrotīkla vai noņemiet izslēgšanas ietaisi).
- Izmantojiet tikai ražotāja ieteiktās rezerves daļas un piederumus.
- Regulāri pārbaudiet ierīci un veiciet tās apkopi. Uzticiet ierīces remontēšanu tikai pilnvarotam remonta tehniķim.
- Ja ierīci nelietojat, novietojiet to bērniem neaizsniedzamā vietā.

Citi drošības brīdinājumi

- **Neļaujiet tuvoties bērniem** — visiem cilvēkiem jāatrodas vismaz 15 m attālumā no darba vietas.
- **Izvairieties no bīstamas vides.**
- **Ja atstājat krūmgriezi bez uzraudzības, vienmēr izslēdziet to vai izņemiet akumulatora bloku.**
- **Nelietojiet lietu.**
- **Ģērbieties atbilstoši.** Nevalkājiet vaļīgas drēbes un rotaslietas. Tās var tikt ierautas kustīgajās daļās. Strādājot ārpus telpām, ieteicams lietot gumijas cimdus un izturīgus apavus. Izmantojiet matu aizsargpāsegu, lai saturētu garus matus.
- **Lietojiet aizsargbrilles.** Strādājot puteļainā vidē, vienmēr izmantojiet sejas vai putekļu masku.
- **Lietojiet pareizu darbarīku.** Neizmantojiet darbarīku nolūkiem, kuriem tas nav paredzēts.
- **Nelietojiet krūmgriezi ar spēku** — darbu varēsiet veikt labāk un ar mazāku traumu rašanās iespējamību, ja lietosiet ierīci darbam paredzētajā tempā.
- **Esiet modrs. Skatieties, ko darāt.** Esiet prātīgs. Nelietojiet trimeri, ja esat noguris.
- **Nelietojiet krūmgriezi, ja esat alkohola vai medikamentu iespaidā.**
- **Sekoјiet, lai aizsargi atrastos paredzētajās vietās un būtu labā darba stāvoklī.**
- **Neturiet rokas un kājas griešanas zonā.**
- **Uzglabājiet krūmgriezi telpās** — nelietojot krūmgriezi, tas jāuzglabā telpā — sausā, augstā vai noslēdzamā vietā, pirms tam izņemot akumulatora bloku — bērniem neaizsniedzamā vietā.
- **Veiciet krūmgrieža apkopi rūpīgi** — lai panāktu labāko darbības un mazinātu traumu rašanās bīstamību, vienmēr turiet griešanas pierīci fīru. Ievērojiet piederumu maiņas norādījumus. Rokturim jābūt sausiem, tīriem un uz tiem nedrīkst būt eļļa vai smērviela.

- **Pārbaudiet bojātās daļas** — pirms krūmgrieža lietošanas rūpīgi jāpārbauda, vai bojātais aizsargs un citas daļas spēs darboties pareizi un veikt paredzēto uzdevumu. Pārbaudiet kustīgo daļu salāgojumu, daļu iespējamo saskari; pārbaudiet, vai daļas nav salūzušas, pārbaudiet stiprinājumus un jebkādu citu stāvokli, kas var ietekmēt darbarīka darbību. Bojāts aizsargs vai cita daļa pareizi jāsamontē vai jānomaina pilnvarotā apkopes centrā, ja vien šajā rokasgrāmatā nav norādīts citādi.
- **Pārbaudiet, vai visi stiprinājumi ir pietiekami un droši pieskrūvēti.** Griešanas pierīces aizsargam ir jābūt pareizi piestiprinātam un jāatrodas tādā pozīcijā, kādu ieteicis ražotājs.
- **Pirms darbarīka lietošanas atīriet apstrādājamo vietu.** Savāciet akmeņus, stikla lauskas, naglas, vadus vai auklas, kas var tikt izsviestas vai iekļūt griešanas pierīcē. Neļaujiet bērniem, apkārtējiem cilvēkiem un mājdzīvniekiem atrasties darba vietā. Neļaujiet bērniem, apkārtējiem cilvēkiem un mājdzīvniekiem atrasties rādiusa zonā, kas ir īsāka par 15 m (50 pēdām); atrodoties 15 m (50 pēdu) rādiusa zonā, pastāv atsviestu priekšmetu izraisīts traumas gūšanas risks. Sekojiet, lai apkārtējie izmantotu acu aizsarglīdzekļus.
- **Lietojot krūmgriezi, vienmēr turiet to stingri, ar abām rokām satverot rokturus.** Satveriet rokturus plaukstās.
- **Izvairieties no jaušas ieslēgšanas** — nepārnēsājiet krūmgriezi, novietojot pirkstu uz pārslēdzēja.
- **Nelietojiet krūmgriezi gāzu vai sprādzienbīstamā vidē.** Motori šādās ierīcēs parasti rada dzirksteles, kas savukārt var aizdedzināt izgarojumus.
- **Krūmgrieža bojājums** — ja krūmgriezis saduras ar svešķermeni vai iesprūst, nekavējoties apturiet darbarīku, pārbaudiet, vai nav radušies bojājumi, novērsiet tos un tikai tad turpiniet ierīces izmantošanu. Nelietojiet krūmgriezi, ja ir bojāts tā aizsargs vai asmens.
- **Ja aprikojums sāk neierasti vibrēt, apturiet dzinēju un nekavējoties nosakiet cēloni.** Vibrēšana parasti brīdina par kļūmi. Nenostiprināts asmens var vibrēt, iekļūst, salūzt vai atdalīties no krūmgrieža, radot smagu vai nāvējošu traumu. Pārbaudiet, vai griešanas pierīce ir pareizi uzstādīta un nostiprināta. Ja asmens pēc tā nostiprināšanas kļūst vaļīgs, nekavējoties nomainiet to. Nekādā gadījumā nelietojiet krūmgriezi ar atskrūvējušos griešanas pierīci.
- **Lai mazinātu traumu rašanās iespējamību vadības zuduma dēļ, nekādā gadījumā nestrādājiet, stāvot uz trepmēm vai uz cita nedroša balsta.** Nekad neturiet griešanas pierīci augstāk par ķermeņa vidukli.

- **Saglabājiet stabili pozīciju un līdzsvaru.** Neturiet ierīci pārāk tālu. Griešanas pierīce jātur zem ķermeņa vidukļa līmeņa. Neļaujiet nevienai ķermeņa daļai nonākt saskarē ar griešanas pierīci.
 - Nekavējoties nomainiet saplaisājušu, bojātu vai nolietoto asmeni pat tad, ja konstatētas tikai nenozīmīgas plaisas. Šādas pierīces var salūzt, griežoties lielā ātrumā, un radīt smagu vai nāvējošu traumu.
 - Darbarīka lietošanas laikā regulāri pārbaudiet griešanas pierīci vai arī dariet to uzreiz, līdzko konstatējat būtiskas izmaiņas griešanas darbībā.
 - **Ja strādājot kāds jums tuvojas, apturiet motoru un griešanas pierīci.** Lietojot ierīces, kuras aprīkotas ar asmeni, apkārt stāvošajiem pastāv palielināts risks saņemt kustīga asmens radītu asmens atsitieni vai citu negadītu asmens radītu reakciju.
 - **Bridiniet operatoru par asmens atsitiena briesmām.**
 - Asmens atsitieni var rasties, ja rotējošs asmens saskaras ar priekšmetu, ko tas uzreiz nesagriež.
 - Asmens atsitieni var būt pietiekami spēcīgi, lai pagrūstu ierīci un/vai operatoru jebkurā virzienā, un, iespējams, zaudētu vadību pār ierīci.
 - Asmens atsitieni var atgadīties pēkšņi, ja asmens iekšēras, saķeras vai apstājas motors.
 - Asmens atsitieni biežāk rodas zonās, kur ir grūti saskatīt zāģējamo materiālu.
 - **Nepiestipriniet asmeni pie ierīces, ja nav atbilstoši uzstādītas visas nepieciešamās detaļas.** Ja netiek izmantotas atbilstošas detaļas, asmens var nokrist no ierīces un nopietni savainot operatoru un/vai apkārtējos cilvēkus. Atbrīvojieties no asmeņiem, kas jebkādā veidā ir saliekti, likumaini, iekļaujuši, salūzuši vai sabojāti. Izmantojiet asu asmeni. Neass asmens var iekerties un izraisīt atsitieni.
 - **Kustīgs asmens, kas pēc motora apturēšanas vai sprūda atlaišanas turpina griezties, var radīt traumas.** Nenovērsiet uzmanību no asmens, līdz tas nav pilnībā pārstājis griezties.
 - **Neuzlādējiet akumulatora bloku lietū vai mitrās vietās.**
 - Izmantojiet tikai tālāk uzskaitītos akumulatora blokus un lādētājus.
- **Nemetiet akumulatoru ugunī.** Akumulatora elementi var uzsprāgt. Īpašus norādījumus par atbilstošu atbrīvošanu no akumulatoriem meklējiet vietējos normatīvos.
 - **Neatveriet un nebojājiet akumulatoru.** Elektrolīts, kas izplūst, ir korozīvs un var radīt acu un ādas bojājumus. Norijot var būt toksisks.
 - **Rīkojieties ar akumulatoriem ļoti uzmanīgi, neveidojiet išslēgumu ar materiāliem, kas vada elektrību, piemēram, gredzeniem, rokassprādzēm un atslēgām.** Akumulators vai vads var pārkarst un radīt apdegumus.
 - **Rezerves daļas** — veicot apkopes darbus, vienmēr izmantojiet identiskas EGO rezerves daļas. Citu piederumu vai pierīču lietošana var palielināt traumu gūšanas iespējamību.
 - **Akumulatora darbarīkus nav nepieciešams pieslēgt elektrotīklam, tādēļ tie vienmēr ir darbības stāvoklī.** Pat, ja darbarīks nedarbojas, vienmēr sargieties no iespējama apdraudējuma. Veicot uzturēšanu vai apkopi, esiet piesardzīgs.
 - **Pirms apkopes un uzturēšanas darbu veikšanas, tīrīšanas vai krūmgriezi iestrēguša materiāla iztīrīšanas, izņemiet vai atvienojiet akumulatora bloku.**
 - **Nemazgājiet ar šļūteni; nepieļaujiet ūdens iekļūšanu motorā un elektriskajos savienojumos.**
 - **Gadījumos, kas nav aprakstīti šajā rokagrāmatā, esiet uzmanīgi un rīkojieties prātīgi.** Lai saņemtu palīdzību, sazinieties ar EGO klientu apkalpošanas centru.
 - **Saglabājiet šo norādījumus.** Regulāri pārskatiet tos un lietojiet, lai iepazīstinātu citus lietotājus, kas arī var izmantot šo darbarīku. Ja kādam aizdodāt šo darbarīku, pievienojiet arī šos norādījumus, lai nepieļautu nepareizu darbarīka izmantošanu un traumu rašanos.

PIEZĪME! IZLASIET INSTRUMENTGALVAS OPERATORA ROKASGRĀMATĀ SNIEGTOS PAPILDU SPECIFISKOS DROŠĪBAS NOTEIKUMUS.

AKUMULATORS	LĀDĒTĀJS
BA1120E, BA2240E, BA2800	CH2100E CH5500E

- Pirms izmešanas akumulatora bloks jāizņem no ierīces.

SPECIFIKĀCIJAS

Griešanas platums	30 cm	
Ātrums, strādājot bez slodzes	5000/6000 min ⁻¹	
Svars (bez akumulatora bloka)	1,82 kg	
Izmērītais skaņas jaudas līmenis L _{WA}	96,5 dB(A) K=1,88 dB(A)	
Skaņas spiediena līmenis pie operatora auss L _{PA}	84,5 dB(A) K=3 dB(A)	
Garantētais skaņas jaudas līmenis L _{WA} (mērīts saskaņā ar 2000/14/EK)	98 dB(A)	
Vibrācija a _h	Priekšējais palīgrocķturis	2,8 m/s ² k=1,6 m/s ²
	Aizmugurējais rocķturis	3,1 m/s ² k=1,6 m/s ²

- Iepriekš minētie parametri ir pārbaudīti un izmērīti kopā ar instrumentgalvu PH1400E.
- Norādītā kopējā vibrācijas vērtība tika mērīta saskaņā ar parasto mērīšanas paņēmienu; tā var tikt izmantota darbarīku salīdzināšanai.
- Norādīto kopējo vibrācijas vērtību var izmantot arī sākotnējai ietekmes izvērtēšanai.

PIEZĪME: Vibrācijas līmenis mehānizētā darbarīka lietošanas laikā var atšķirties no norādītās vērtības, ar kādu tiek lietots darbarīks. Lai aizsargātu operatoru, jāizmanto cimdi un dzirdes aizsarglīdzekļi.

Ieteicamais asmens

DAĻAS NOSAUKUMS	MODEĻA NUMURS
Krūmgrieža asmens	ABB1203

KOMPLEKTĀCIJA

DAĻAS NOSAUKUMS	DAUDZUMS
Krūmgrieža pierīce	1
Asmens un asmens futrālis	1
Aizsargs	1
Aizsargs (lietošanai kopā TIKAI ar trimera galvu)	1
Sešstūru Uzgrīzņu Atslēga	1
Daudzfunkciju uzgrīzņu atslēga	1
Lietošanas rokasgrāmata	1

LV

APRAKSTS

PĀRZINIET SAVA KRŪMGRIEŽA PIERĪCI (A att.)

1. Uzgalis
2. Krūmgrieža vārpsta
3. Aizsargs
4. Asmens
5. Asmens futrālis
6. Stieplu skava
7. Bīvējuma skrūve
8. Pārnesumkārbā
9. Vārpstas bloķēšanas atvere
10. Ārējais atloks
11. Daudzfunkciju uzgrīzņu atslēga
12. Sešskaldņu uzgrīzņu atslēga
13. Aizsarga piederums (lietošanai kopā TIKAI ar trimera galvu)

▲ BRĪDINĀJUMS! Nekādā gadījumā nelietojiet darbarīku, ja nav nostiprināts aizsargs. Aizsargam vienmēr jāatrodas uz darbarīka, lai aizsargātu lietotāju!

▲ BRĪDINĀJUMS! Ja darbarīks tiek izmantots kā auklas trimers, kas aprīkots ar trimera galvu, aizsargam jāuzstāda aizsarga piederums. Šo noteikumu neievērošanas rezultātā var tikt padota pārāk gara griešanas aukla un motoram var rasties pārslodze.

MONTĀŽA

▲ BRĪDINĀJUMS. Ja kāda no daļām trūkst vai ir bojāta, nelietojiet šo izstrādājumu, līdz daļas ir nomainītas. Izmantojot šo izstrādājumu, ja trūkst kāda no daļām vai arī tā ir bojāta, var rasties smagas traumas.

▲ BRĪDINĀJUMS. Nemēģiniet pārveidot šo izstrādājumu vai pievienot piederumus, kuru izmantošana šajā auklas trimērī nav ieteicama. Jebkādas šādas izmaiņas vai pārveidojumi ir ierīces neatbilstoša lietošana un var izraisīt bīstamu situāciju un smagu traumu.

▲ BRĪDINĀJUMS! Uzstādot vai noņemot asmeni vai aizsargu, vai veicot asmenim apkopi, vienmēr valkājiet izturīgus cimdus. Esiet piesardzīgi, rīkojoties ar asmeni, un sargiet savas rokas no traumām, ko var izraisīt asmens.

▲ BRĪDINĀJUMS! Nesavienot ar instrumentgalvu, kamēr montāža nav pilnībā pabeigta. Šo noteikumu neievērošanas rezultātā darbarīks var nejausi ieslēgties un izraisīt smagus miesas bojājumus.

PIEZĪME. Pareiza krūmgrieža pierīces montāžas secība ir aizsarga un tad asmens uzstādīšana, un pēc tam piestiprināšana pie instrumentgalvas.

⚠ BRĪDINĀJUMS! Nekad nedarbiniet darbarīku bez aizsarga un, ja priekšējais palīgrokuris ir stingri nofiksēts ar barjeras stieni. Šo noteikumu neievērošanas rezultātā darbarīks var izraisīt smagus miesas bojājumus.

AIZSARGA UZSTĀDĪŠANA

1. Paceliet krūmgrieža galvu ar tās priekšējo daļu vērstu uz leju; salāgojiet ar divām aizsarga bultskrūvēm abus montāžas caurumus, kas ir iemontēti stiprinājuma dēlī. Pārbaudiet, vai aizsarga iekšējā virsma ir vērsta krūmgrieža galvas virzienā (C att.).
2. Nostipriniet aizsargu ar skrūvēm un komplektācijā iekļauto sešskaldņu uzgriežņu atslēgu (D att.).

ASMENS MONTĀŽA

1. Asmens tiek piegādāts kopā ar futrāli. Futrālis ir jānoņem pirms asmens uzstādīšanas uz krūmgrieža, atskrūvējot stieplu skavu no futrāļa āķa (E att.).

D un E attēla detaļu aprakstu skatiet tālāk.

E-1	Āķis
E-2	Stieplu skava

2. Pagrieziet ārējo atloku, lai salāgotu spraugu iekšējā atlokā ar vārpstas bloķēšanas atveri pārnesumkārbā (F att.).
3. Ievietojiet salāgotajās atverēs komplektācijā iekļauto sešskaldņu uzgriežņu atslēgu, kas funkcionē kā stabilizators (G att.).

F un G attēla detaļu aprakstu skatīt zemāk:

F-1	Pārnesumkārbā	F-3	Ārējais atloks
F-2	Salāgotas vārpstas bloķēšanas atveres	G-1	Stabilizators

4. Atbalstiet krūmgrieži galvu pret cietu virsmu. Ar vienu roku satveriet krūmgrieža vārpstu un ar otru roku — komplektācijā iekļauto daudzfunkciju uzgriežņu atslēgu, lai atskrūvētu uzgriezni bultiņas virzienā, kas atzīmēta uz ārējā atloka, un noņemiet uzgriezni un ārējo atloku. Saglabājiet tos, lai pēc tam varētu vēlreiz salikt kopā (H att.).
5. Uzstādiet asmeni uz motora vārpstas tā, lai asmens virsma atrastos vienā līmenī ar iekšējā atloka virsmas izliekumu. Pēc tam uzstādiet ārējo atloku un uzgriezni (I att.). Pievelciet uzgriezni ar roku **PRETĒJI PULKSTENRĀDĪTĀJA KUSTĪBAS VIRZIENAM**.

D un I attēla detaļu aprakstu skatiet tālāk.

I-1	Iekšējā atloka izliekums	I-4	Ārējais atloks
I-2	Motora vārpsta	I-5	Asmens
I-3	Uzgrieznis		

6. Lai salāgotu spraugu iekšējā atlokā ar vārpstas bloķēšanas atveri pārnesumkārbā, pagrieziet ārējo atloku un ievietojiet salāgotajās atverēs komplektācijā iekļauto sešskaldņu uzgriežņu atslēgu, lai tā funkcionētu kā stabilizators, kā tas iepriekš norādīts 2. un 3. punktā.
7. Atbalstiet krūmgrieži galvu pret cietu virsmu. Ar vienu roku satveriet asmeni un ar otru roku — komplektācijā iekļauto daudzfunkciju uzgriežņu atslēgu, lai pieskrūvētu uzgriezni bultiņas virzienā, kas atzīmēta uz ārējā atloka (J att.).

Aizsarga piederuma izmantošana

PIEZĪME. Ja darbarīks tiek izmantots kā auklas trimēris, kas aprīkots ar trimera galvu, aizsarga piederumam ir jābūt uzstādītam uz aizsarga.

Nostipriniet aizsarga piederumu uz aizsarga, pievelkot trīs skrūves ar komplektācijā iekļauto sešskaldņu uzgriežņu atslēgu. Šo noteikumu neievērošanas rezultātā var tikt padota pārāk gara griešanas aukla un motoram var rasties pārslodze.

KRŪMGRIEŽA PIERĪCES PIESTIPRINĀŠANA INSTRUMENTGALVAI

Šī krūmgrieža pierīce ir paredzēta lietošanai kopā ar EGO instrumentgalvu PH1400E.

Skatiet instrumentgalvas PH1400E operatora rokasgrāmatā sadaļu „PIERĪCES PIESTIPRINĀŠANA INSTRUMENTGALVAI”.

LIETOŠANA

⚠ BRĪDINĀJUMS. Iepazīstot darbu ar šo ierīci, nekļūstiet nolaidīgs. Atcerieties, ka neuzmanība sekundes daļā var radīt smagu traumu.

⚠ BRĪDINĀJUMS. Vienmēr izmantojiet acu aizsarglīdzekļus ar sānu aizsargiem. Kopā ar dzirdes aizsarglīdzekļiem. To nedarot, acis var tikt iesviesti svešķermeņi, kā arī rasties citas smagas traumas.

PIELIETOJUMS

Šo izstrādājumu var lietot tālāk norādītajam mērķim —

- stiebrzāles, nezāles savvaļas audzes un krūmāju apgriešana, aunaudzes retināšana, kuriem maksimālais kāta diametrs ir 2 cm.

PIEZĪME. Darbarīku drīkst izmantot tikai aprakstītajam mērķim. Izmantošana jebkādā citā veidā tiks uzskatīta par neatbilstošu lietošanu.

KRŪMGRIEŽA LIETOŠANA KOPĀ AR INSTRUMENTGALVU

▲ BRĪDINĀJUMS! Ķērbieties atbilstīgi, lai mazinātu traumu rašanās draudus, lietojot šo darbarīku. Nevalkājiet vaļīgu apģērbu vai rotaslietas. Izmantojiet acu un dzirdes aizsargtīdzes. Valkājiet izturīgas, garas bikses, apavus un cimdus. Nevalkājiet tsās bikses, sandales; netaigājiet basām kājām.

Uzlieciet plecu siksnu ekspluatācijai labākā un drošākā stāvoklī. Noregulējiet siksnu ērtā darba pozīcijā. Turiet krūmgriezi ar vienu roka uz aizmugurējā roktura, savukārt ar otru roku — priekšējā palīgroktura. Strādājot ar darbarīku, turiet to stingri ar abām rokām. Turiet krūmgriezi ērtā pozīcijā, aizmugurējām rokturim atrodoties gurnu augstumā. Turiet darbarīku stingri un saglabājiet līdzsvaru, stāvot uz abām kājām. Nostājieties tā, lai griešanas asmens atsitiena brīdī neizjauktu jūsu stājas līdzsvaru (B att.).

▲ BRĪDINĀJUMS! Plecu siksnai ir arī ātrās atbrīvošanas mehānisms bīstamām situācijām. Avārijas situācijām gadījumā nekavējoties noņemiet siksnu no pleca neatkarīgi no tā, kādā pozīcijā tā atrodas.

Lai apgrieztu savvaļas audzi un krūmājus, nolaidiet rotējošo asmeni lejā virs audzes, šādi iegūstot kapāšanas efektu. Griežot pie zemes, izmantojiet krūmgriezi kā izkapti (pļaujot pa labi un pa kreisi). Nekad neizmantojiet griešanas pierīci augstāk par ķermeņa vidukli.

▲ BRĪDINĀJUMS! Jo augstāk no zemes atradīsies griešanas pierīce, jo lielāks būs nogrieztā materiāla, kas tiek izsviests uz sāniem, izraisīts traumas risks.

▲ BRĪDINĀJUMS! Grieziet jaunaudzes vai citu koksnes materiālu līdz 2 cm diametrā ar asmens kreiso pusi, lai izvairītos no asmens atsitiena. Nemēģiniet griezt koksi, kurai ir lielāks diametrs, jo asmens var iekļerties vai paraut krūmgriezi uz priekšu. Tas var sabojāt asmeni vai krūmgriezi, vai arī jūs varat zaudēt vadību pār krūmgriezi, kas izraisa miesas bojājumus.

▲ BRĪDINĀJUMS! Nepareizas krūmgrieža asmens lietošanas rezultātā asmens var saplaisāt, sašķelties vai saplīst.

Izsviestās daļas var nopietni savainot operatoru vai blakus stāvošu cilvēku. Lai samazinātu traumu risku, ir svarīgi veikt turpmāk norādītos piesardzības pasākumus.

- Izvairieties no saskares ar cietiem svešķermeņiem, piemēram, akmeņiem, laukakmeņiem vai metāla daļām.
- Nekad nezāģējiet kokmateriālus vai krūmus, kuru kāta diametrs pārsniedz 2 cm.

- Regulāri ik pēc neilga laika pārbaudiet, vai asmenim nav redzamu bojājumu pazīmju. Neturpiniet strādāt ar bojātu asmeni.
- Regulāri uzasiniet asmeni (ja tas acīmredzami kļuvis neass), un nepieciešamības gadījumā sabalansējiet to (veic kvalificēts servisa speciālists).

ASMENS ATSIENS

Esiet īpaši piesardzīgi, izmantojot asmeni kopā ar šo ierīci. Asmens atsiens ir reakcija, kas var rasties, ja rotējošs asmens saskaras ar materiālu, kuru tas nevar sagriezt. Šāda saskare var uz mirkli apturēt asmens griešanos un pēkšņi „pagrūst” ierīci projām no objekta, pret kuru asmens atsitās. Šī reakcija var būt pietiekami spēcīga, lai operators zaudētu vadību pār ierīci. Asmens atsiens var atgadīties pēkšņi, ja asmens iekļeras, saķeras vai apstājas motors. Tas biežāk rodas zonās, kur ir grūti saskatīt zāģējamo materiālu. Lai griešana būtu vienkāršāka un drošāka, pļaujiet ar krūmgriezi nezáli virzienā no labās uz kreiso pusi. Ja asmens negaidīti iestrēgst priekšmetā vai kokmateriālā, šis paņēmiens var mazināt asmens atsitiena reakciju.

Pirms katras lietošanas reizes pārbaudiet, vai nav bojātu / nodilušu daļu

Pārbaudiet asmeni, aizsargu un priekšējo rokturi un nomainiet detaļas, ja tās ir saplaisājušas, savijušas, salocījušas vai bojātas.

Asmens mala laika gaitā var kļūt neasa. Tāpēc ieteicams apgriezt asmeni otrādi, lai pagarinātu asmens kalpošanas laiku, un periodiski uzasināt to (veic kvalificēts servisa speciālists), vai nepieciešamības gadījumā aizstāt to ar jaunu asmeni.

Iztīriet krūmgriezi pēc katras lietošanas reizes

Tīrīšanas norādījumus skatīt sadaļā **APKOPE**.

▲ BRĪDINĀJUMS! Asmenim ir jāapstājas pilnībā pirms krūmgriežim tiek veikti tīrīšanas vai apkopes darbi. Šo noteikumu neievērošanas rezultātā darbarīks var izraisīt smagus miesas bojājumus.

DARBARĪKA PALAIŠANA / APTURĒŠANA

Skatiet instrumentgalvas PH1400E operatora rokasgrāmatā sadaļu „**INSTRUMENTGALVAS PALAIŠANA / APTURĒŠANA**”.

APKOPE

▲ BRĪDINĀJUMS! Pirms ierīces pārbaudīšanas, tīrīšanas vai apkopes darbu veikšanas apturiet motoru, pagaidiet, līdz apstājas visas kustīgās daļas, un izņemiet akumulatora bloku. Šo norādījumu neievērošana var radīt smagus miesas bojājumus vai kaitējumu īpašumam.

⚠ BRĪDINĀJUMS! Veicot ierīces apkopi, izmantojiet tikai identiskas rezerves daļas. Jebkuru citu daļu izmantošana var radīt apdraudējumu vai izstrādājuma bojājumus. Lai garantētu drošību un uzticamību, visi remontdarbi jāveic kvalificētam servisa speciālistam.

⚠ BRĪDINĀJUMS! Uzstādot vai noņemot asmeni, vai veicot tam apkopi, vienmēr valkājiet izturīgus cimdus. Esiet piesardzīgi, rīkojoties ar asmeni, un sargiet savas rokas no traumām, ko var izraisīt asmens.

VISPĀRĒJĀ AKPOKE

Trot plastikāta detaļas, izvairieties no šķīdinātāju lietošanas. Vairums plastmasu ir uzņēmīgas pret dažāda veida komerciālu šķīdinātāju bojājumiem un, tos izmantojot, var tikt sabojātas. Lai notīrītu neitrumus, putekļus, eļļu, smērvielas u.c., izmantojiet tīras drāniņas.

IERĪCES TĪRĪŠANA

- Izņemiet akumulatoru
- Ar mīkstu suku notīriet pie asmens un aizsarga pielipušos gruvsus, augsni vai zāli pēc katras lietošanas reizes.
- Noslaukiet darbarīka virsmu ar tīru drānu, kas samitrināta ar maigu ziepju šķīdumu.
- Ventilācijas atveru tīrīšanai korpusa aizmugurē izmantojiet nelielu suku vai nelielu putekļsūcēju.
- Ventilācijas atveres nedrīkst būt nosprostotas.

Kad asmens un abas asmens malas kļuvušas neasas, lūdzu, nogādājiet tās kvalificētam servisa speciālistam, kurš tās uzasinās, vai nepieciešamības gadījumā nomainiet asmeni.

ASMENS NOMAIŅA

⚠ BRĪDINĀJUMS! Nodilis, iekļausis vai bojāts asmens var salūzt un bojāta asmens atsviestās daļas var būt bīstamas. Izsviesti priekšmeti var izraisīt nopietnas traumas. Regulāri pārbaudiet asmeni un nelietojiet krūmgriezi ar nodilušu vai bojātu asmeni.

⚠ BRĪDINĀJUMS! Noņemot, asinot un uzstādot asmeni, izmantojiet atbilstošus acu aizsarglīdzekļus.

Lai noņemtu asmeni

1. Izņemiet akumulatoru.
2. Lai salāgotu spraugu iekšējā atlokā ar vārpstas bloķēšanas atverī pārnesumkārbā, pagrieziet ārējo atloku un ievietojiet salāgotajās atverēs komplektācijā iekļauto sešskaldņu uzgriežņu atslēgu, lai tā funkcionētu kā stabilizators, kā tas norādīts sadaļas „ASMENS UZSTĀDĪŠANA” 2. un 3. punktā.

3. Atbalstiet krūmgriezi galvu pret cietu virsmu. Ar vienu roku satveriet asmeni un ar otru roku — komplektācijā iekļauto daudzfunkciju uzgriežņu atslēgu, lai atskrūvētu uzgriezni bultiņas virzienā, kas atzīmēta uz ārējā atloka, un noņemiet uzgriezni, ārējo atloku un nodilušo asmeni (L att.)

4. Pārbaudiet iekšējo atloku un atloka vāciņu un nomainiet tos, ja tie ir nodiluši (M att.).

W un M attēla detaļu aprakstu skatiet tālāk.

M-1	Motora vārpsta	M-5	Ārējais atloks
M-2	Iekšējais atloks	M-6	Uzgrieznis
M-3	Atloka vāciņš	M-7	Atloka sprauga
M-4	Asmens		

5. Uzstādiet uz motora vārpstas jaunu asmeni tādā secībā, kāda norādīta M attēlā. Izpildiet sadaļā „ASMENS UZSTĀDĪŠANA” norādīto 5., 6. un 7. punktu.

REDUKTORU EĻĻOŠANA

Reduktorus pārnesumkārbā ir periodiski jāieeļļo ar reduktoru smērvielu. Pārbaudiet pārnesumkārbā smērvielas līmeni ik pēc 50 darba stundām, noņemot kārbas pusē esošo blīvējuma skrūvi.

Ja uz reduktora malām nav redzama smērviela, tad, lai uzpildītu reduktoru smērvielu līdz 3/4 ietilpības, izpildiet tālāk redzamās darbības.

Neiepildiet smērvielu reduktorus līdz augšai.

1. Turiet krūmgriezi ar blīvējuma skrūvi virzienā uz augšu (N att.).
2. Atskrūvēšanai izmantojiet komplektācijā iekļauto daudzfunkciju uzgriežņu atslēgu un izņemiet blīvējuma skrūvi.
3. Izmantojiet smērvielas šļirci (komplektācijā nav iekļauta), lai iepildītu smērvielu caur skrūves atveri.
4. Pēc iepildīšanas aizskrūvējiet blīvējuma skrūvi.

IERĪCES UZGLABĀŠANA

- Izņemiet darbarīka akumulatoru.
- Lai kārtīgi notīrītu darbarīku, valkājiet izturīgus cimdus.
- Uzglabājiet asmeni drošā veidā, uzliekot tam futrāli (O att.).
- Noņemiet krūmgrieža pierīci no instrumentgalvas un nepieciešamības gadījumā uzlieciet pierīces vārpstas izvadkanālam uzgali.
- Uzglabājiet ierīci sausā, labi vēdināmā, aizsaldzamā vai augstā — bērniem nepieejamā — vietā. Neuzglabājiet ierīci blakus mēslojumam, benzīnam vai citām ķīmikālijām.

Apkārtējās vides aizsardzība



Neizmetiet elektroierīces, akumulatora lādētājus un baterijas/uzlādējamus akumulatorus mājsaimniecības atkritumos!

Saskaņā ar Eiropas likumu 2012/19/ES, un 2006/66/EK noliegtais elektriskais un elektroniskais aprīkojums, bojāti vai lietoti akumulatora bloki/baterijas jāsavāc atsevišķi.

Ja elektroierīces tiek izmestas atkritumu poligonos vai izgāztuvēs, gruntsūdenī var iekļūt bīstamas vielas, piesārņojot barības ķēdi, kaitējot veselībai un labsajūtai.

ES PAZIŅOJUMS PAR ATBILSTĪBU



Mēs, uzņēmums EGO EUROPE GMBH

Wahlwiesenstrasse 1, D-71711 Steinheim an der Murr
Deutschland

Apliecinām, ka šis izstrādājums, **56 V litiņa-jonu bezvadu zaru zāģa pierīce BCA1200**, kas aprīkota ar instrumentgalvu PH1400E,

atbilst būtiskajām veselības un drošības prasībām, kas norādītas šādās direktīvās:

2006/42/EK, 2014/30/ES, 2011/65/ES, 2000/14/EK,

Atsauces uz šādiem standartiem un tehniskajiem datiem:

EN ISO 11806-1, EN 60745-1, EN 55014-1, EN 55014-2

Izmērītais skaņas jaudas līmenis: 96,5 dB(A),

Garantētais skaņas jaudas līmenis: 98 dB(A)

Peter Melrose
„EGO Europe GmbH”
ģenerāldirektors

Dong Jianxun
Chervon kvalitātes nodaļas vadītājs

* (pilnvarotais CHERVON pārstāvis un atbildīgais par tehnisko dokumentāciju)

01/12/2016

KĻŪMJU NOVĒRŠANA

PROBLĒMA	CĒĻONIS	RISINĀJUMS
Krūmgriezis neieslēdzas.	<ul style="list-style-type: none"> ■ Instrumentgalvā nav akumulatora bloka. ■ Starp instrumentgalvu un akumulatoru bloku nav elektriskā savienojuma. ■ Akumulatora bloks ir izlādējies. ■ Vienlaikus nav nospiesta bloķēšanas svira un pārslēdzējs. 	<ul style="list-style-type: none"> ■ Ievietojiet instrumentgalvā akumulatora bloku. ■ Izņemiet akumulatoru, pārbaudiet kontaktus un ievietojiet to atpakaļ, līdz tas nofiksējas. ■ Uzlādējiet akumulatora bloku ar šajā rokasgrāmatā norādītajiem EGO lādētājiem. ■ Nospiediet bloķēšanas sviru un turiet to, tad nospiediet pārslēdzēju, lai ieslēgtu krūmgriezi.
Krūmgriezis apstājas griešanas laikā.	<ul style="list-style-type: none"> ■ Motora pārslodze. ■ Akumulatora bloks vai instrumentgalva ir pārāk karsta. ■ Akumulatora bloks ir atvienots no darbarīka. ■ Akumulatora bloks ir izlādējies. 	<ul style="list-style-type: none"> ■ Motors pēc noslogojuma atbrīvošanas atsāks darboties. Lai tas darbotos nepārtraukti, samaziniet instrumentgalvai slodzi. ■ Ļaujiet akumulatoram vai instrumentgalvai atdzist, līdz temperatūra nokrītas zemāk par 67 °C (152 °F). ■ Uzstādiet atpakaļ akumulatora bloku. ■ Uzlādējiet akumulatora bloku ar šajā rokasgrāmatā norādītajiem EGO lādētājiem.

GARANTĪJA

EGO GARANTĪJAS POLITIKA

Lūdzu, apmeklējiet tīmekļa vietni egopowerplus.com, kur pieejama pilna EGO Garantijas politikas noteikumu un nosacījumu versija.

ΔΙΑΒΑΣΤΕ ΟΛΕΣ ΤΙΣ ΟΔΗΓΙΕΣ!



ΔΙΑΒΑΣΤΕ ΤΟ ΕΓΧΕΙΡΙΔΙΟ ΧΡΗΣΗΣ

⚠ Υπολειπόμενοι κίνδυνοι! Άνθρωποι που φέρουν ηλεκτρονικές συσκευές όπως βηματοδότες πρέπει να συμβουλευούνται τους γιατρούς τους πριν τη χρήση αυτού του προϊόντος. Η λειτουργία ηλεκτρικών εξοπλισμών κοντά σε βηματοδότη μπορεί να προκαλέσει παρεμβολές ή βλάβη στον βηματοδότη.

⚠ ΠΡΟΕΙΔΟΠΟΙΗΣΗ: Για να διασφαλίσετε την ασφάλεια και την αξιοπιστία, όλες οι επισκευές πρέπει να διεξάγονται από εξειδικευμένο τεχνικό του σέρβις.

ΣΥΜΒΟΛΑ ΑΣΦΑΛΕΙΑΣ

Ο σκοπός των συμβόλων ασφαλείας είναι να σας τραβήξουν την προσοχή για ενδεχόμενους κινδύνους. Προσέξτε και κατανοήστε τα σύμβολα ασφαλείας και τις επεξηγήσεις που τα συνοδεύουν. Οι προειδοποιήσεις συμβόλων από μόνες τους δεν εξαλείφουν κανέναν κίνδυνο. Οι οδηγίες και οι προειδοποιήσεις που παρέχουν δεν υποκαθιστούν τα μέτρα σωστής πρόληψης ατυχημάτων.

⚠ ΠΡΟΕΙΔΟΠΟΙΗΣΗ: Βεβαιωθείτε ότι έχετε διαβάσει και κατανοήσει όλες τις οδηγίες ασφαλείας στο παρόν Εγχειρίδιο χειριστή, συμπεριλαμβανομένων όλων των συμβόλων ασφαλείας όπως «**ΚΙΝΔΥΝΟΣ**», «**ΠΡΟΕΙΔΟΠΟΙΗΣΗ**» και «**ΠΡΟΣΟΧΗ**», προτού χρησιμοποιήσετε αυτό το εργαλείο. Η μη τήρηση όλων των παρακάτω οδηγιών μπορεί να οδηγήσει σε ηλεκτροπληξία, πυρκαγιά ή/και σοβαρό ατομικό τραυματισμό.

ΣΗΜΑΣΙΑ ΣΥΜΒΟΛΩΝ

⚠ ΣΥΜΒΟΛΟ ΕΙΔΟΠΟΙΗΣΗΣ ΑΣΦΑΛΕΙΑΣ: Υποδηλώνει **ΚΙΝΔΥΝΟ**, **ΠΡΟΕΙΔΟΠΟΙΗΣΗ** ή **ΠΡΟΣΟΧΗ**. Μπορεί να χρησιμοποιείται σε συνδυασμό με άλλα σύμβολα ή εικονογράμματα.



⚠ ΠΡΟΕΙΔΟΠΟΙΗΣΗ: Η λειτουργία ηλεκτρικών εργαλείων μπορεί να επιφέρει εκτόξευση ξένων αντικειμένων στα μάτια σας, με αποτέλεσμα σοβαρή βλάβη σε αυτά. Προτού ξεκινήσετε τη λειτουργία του ηλεκτρικού εργαλείου φοράτε πάντα προστατευτικά γυαλιά ή γυαλιά με πλευρική προστασία και εφόσον απαιτείται πλήρη προστατευτική προσώπιδα. Συστήνουμε μια προσώπιδα ασφαλείας ευρείας όρασης για χρήση πάνω από γυαλιά ή συνήθη προστατευτικά γυαλιά με πλευρική προστασία.

ΟΔΗΓΙΕΣ ΑΣΦΑΛΕΙΑΣ

Αυτή η σελίδα απεικονίζει και περιγράφει τα σύμβολα ασφαλείας που υπάρχουν ενδεχομένως σε αυτό το προϊόν. Διαβάστε, κατανοήστε και ακολουθείτε όλες τις οδηγίες στη μηχανή προτού προσαρτησετε να διεξάγετε εργασίες συναρμολόγησης και λειτουργίας.

	Ειδοποίηση ασφαλείας	Υποδηλώνει ενδεχόμενο κίνδυνο ατομικού τραυματισμού.
	Διαβάστε το εγχειρίδιο χρήσης	Προκειμένου να μειωθεί ο κίνδυνος τραυματισμού, ο χρήστης πρέπει να διαβάσει και να κατανοήσει το εγχειρίδιο χρήσης προτού χρησιμοποιήσει αυτό το προϊόν.
	Φοράτε προστατευτικά γυαλιά	Φοράτε πάντοτε προστατευτικά γυαλιά ή γυαλιά ασφαλείας με πλευρική προστασία και πλήρη προστατευτική προσώπιδα κατά τη λειτουργία αυτού του προϊόντος.
	Φοράτε προστατευτικά ακοής	Ο θόρυβος του πριονιού με κοντάρι μπορεί να προκαλέσει ζημιά στην ακοή σας. Φοράτε πάντα ωτοασπίδες για την προστασία της ακοής σας.

	Φοράτε προστασία για το κεφάλι	Φοράτε ένα εγκεκριμένο για την ασφάλεια σκληρό καπέλο για την προστασία του κεφαλιού σας.
	Φοράτε προστατευτικά γάντια	Προστατεύετε τα χέρια σας με γάντια κατά το χειρισμό της αλυσίδας και του αλυσοτρίονου. Τα ανθεκτικά, αντιολισθητικά γάντια βελτιώνουν το κράτημα και προστατεύουν τα χέρια σας.
	Φοράτε υποδήματα ασφαλείας	Φοράτε αντιολισθητικά υποδήματα ασφαλείας όταν χρησιμοποιείτε αυτό τον εξοπλισμό.
	Πλάτος κοπής	Μέγ. πλάτος κοπής θαμνοκοπτικού
	Προσέχετε την αναπήδηση της λεπίδας	Ο χειριστής πρέπει να έχει πάντα το νου του στον κίνδυνο από την αναπήδηση της λεπίδας.
	Εξοστρακισμός	Αντικείμενα που πετιούνται μπορεί να εξοστρακιστούν και να προκύψει ατομικός τραυματισμός ή ζημιά στην ιδιοκτησία.
	Διατηρείτε μακριά τους παρευρισκόμενους	Εξασφαλίστε ότι άλλα άτομα ή κατοικίδια παραμένουν τουλάχιστον 15 μ. μακριά από το θαμνοκοπτικό όταν αυτό χρησιμοποιείται.
	Η λεπίδα δεν είναι στρογγυλή	Μην εγκαθιστάτε στρογγυλές λεπίδες κοπής.
	Μην εκθέτετε στη βροχή	Μη χρησιμοποιείτε στη βροχή ή μην αφήνετε σε εξωτερικό χώρο ενώ βρέχει.

	CE	Αυτό το προϊόν συμφώνει με τις ισχύουσες οδηγίες της ΕΚ.
	ΑΗΗΕ (WEEE)	Τα άχρηστα ηλεκτρικά προϊόντα δεν πρέπει να απορρίπτονται στα οικιακά απόβλητα. Παραδίδετέ τα σε μια εξουσιοδοτημένη εταιρεία ανακύκλωσης.
	Θόρυβος	Εγγυημένη στάθμη ηχητικής ισχύος. Εκπομπές θορύβου στο περιβάλλον σύμφωνα με την οδηγία της Ευρωπαϊκής Ένωσης.
V	Volt	Τάση
mm	Χιλιοστό	Μήκος ή διαστάσεις
cm	Εκατοστό	Μήκος ή διαστάσεις
in.	Ίντσα	Μήκος ή διαστάσεις
kg	Κιλό	Βάρος

ΣΗΜΑΝΤΙΚΕΣ ΟΔΗΓΙΕΣ ΑΣΦΑΛΕΙΑΣ

⚠️ ΠΡΟΕΙΔΟΠΟΙΗΣΗ: Όταν χρησιμοποιείτε χλοοκοπτικά με νήμα θα πρέπει να τηρείτε τις βασικές προφυλάξεις ασφαλείας, έτσι ώστε να ελαχιστοποιηθεί ο κίνδυνος πυρκαγιάς, ηλεκτροπληξίας και σωματικών βλαβών, συμπεριλαμβανομένων και των ακόλουθων.

ΔΙΑΒΑΣΤΕ ΠΡΟΣΕΚΤΙΚΑ ΠΡΙΝ ΑΠΟ ΤΗ ΧΡΗΣΗ

ΦΥΛΑΞΤΕ ΓΙΑ ΜΕΛΛΟΝΤΙΚΗ ΧΡΗΣΗ

⚠️ ΚΙΝΔΥΝΟΣ: Μην επαναπαύεστε στη μόνωση του εργαλείου έναντι ηλεκτροπληξίας. Για τη μείωση κινδύνου ηλεκτροπληξίας ποτέ μη χειρίζεστε το μηχανήμα κοντά σε σύρματα ή καλώδια (ρεύματος κ.λπ.) τα οποία μπορεί να φέρουν ηλεκτρικό ρεύμα.

⚠️ ΠΡΟΦΥΛΑΞΗ: Φοράτε κατάλληλη ατομική προστασία ακοής κατά τη χρήση. Υπό ορισμένες συνθήκες και χρονικές διάρκειες χρήσης, ο θόρυβος από αυτό το προϊόν μπορεί να συνεισφέρει σε απώλεια της ακοής.

GR

Εκπαίδευση

- Διαβάστε με προσοχή όλες τις οδηγίες. Εξοικειωθείτε με τα χειριστήρια και τη σωστή χρήση του μηχανήματος.
- Ποτέ μην επιτρέπτε σε παιδιά, άτομα με μειωμένες φυσικές, αισθητηριακές ή νοητικές δυνατότητες ή με έλλειψη εμπειρίας και γνώσεων ή σε άτομα μη εξοικειωμένα με αυτές τις οδηγίες, να χρησιμοποιούν το μηχάνημα.
- Έχετε υπόψη σας ότι ο χειριστής ή ο χρήστης είναι αποκλειστικά υπεύθυνος για ατυχήματα ή κινδύνους που προκύψουν προς άλλα άτομα ή την περιουσία τους.

Προτοιμασία

- Μη χρησιμοποιείτε ποτέ τη συσκευή όταν βρίσκονται κοντά άτομα, ιδίως παιδιά ή κατοικίδια.
- Χρησιμοποιείτε προστατευτικά για τα μάτια και ανθεκτικά υποδήματα συνεχώς όταν χρησιμοποιείτε το μηχάνημα.
- Η απόσταση μεταξύ του μηχανήματος και των παριστάμενων πρέπει να είναι τουλάχιστο 15 μ.

Λειτουργία

- Χρησιμοποιείτε το μηχάνημα μόνο με το φως της ημέρας ή με καλό τεχνητό φως.
- Μη χρησιμοποιείτε ποτέ το μηχάνημα αν τα προστατευτικά εξαρτήματα ή οι θωρακίσεις είναι χαλασμένα ή αν δεν βρίσκονται στη θέση τους.
- Ενεργοποιείτε τον κινητήρα μόνο όταν τα χέρια και τα πόδια σας βρίσκονται μακριά από τα κοπτικά εξαρτήματα.
- Αποσυνδέετε πάντα το μηχάνημα από την τροφοδοσία ισχύος (δηλαδή απομακρύνετε το βύσμα από το ρεύμα ή αφαιρέστε τη συσκευή απενεργοποίησης).
 - Όποτε αφήνετε το μηχάνημα ανεπιτήρητο,
 - Πριν καθαρίσετε ένα μπλοκάρισμα,
 - Πριν κάνετε έλεγχο, καθαρισμό ή άλλη εργασία πάνω στο μηχάνημα,
 - Σε περίπτωση που χτυπήσετε σε ξένο αντικείμενο.
 - Αν το μηχάνημα αρχίζει να δονείται αφύσικα.
- Προσέχετε να μην τραυματισείτε στα πόδια και χέρια από τα κοπτικά εξαρτήματα.
- Φροντίστε να ανοίγματα εξαερισμού να είναι πάντα καθαρά, χωρίς σκουπίδια.

Συντήρηση και αποθήκευση

- Αποσυνδέστε το μηχάνημα από την τροφοδοσία ισχύος (δηλαδή απομακρύνετε το βύσμα από το ρεύμα ή αφαιρέστε τη συσκευή απενεργοποίησης) προτού διεξάγετε εργασίες συντήρησης ή καθαρισμού.

- Χρησιμοποιείτε μόνο τα ανταλλακτικά και αξεσουάρ που συνιστώνται από τον κατασκευαστή.
- Ελέγχετε και συντηρείτε τακτικά το μηχάνημα. Οι επισκευές του μηχανήματος πρέπει πάντα να πραγματοποιούνται από ένα εξουσιοδοτημένο κέντρο επισκευής.
- Όταν δεν χρησιμοποιείτε το μηχάνημα, αποθηκεύτέ το σε μέρος όπου δεν πλησιάζουν παιδιά.

Άλλες προειδοποιήσεις ασφαλείας

- **κρατάτε τα παιδιά μακριά** – Όλοι οι επισκέπτες πρέπει να παραμένουν σε μια απόσταση τουλάχιστον 15 μ. από το χώρο εργασίας.
- **Αποφεύγετε επικίνδυνα περιβάλλοντα – Μη χρησιμοποιείτε χλοοκοπτικά σε βρεγμένες ή υγρές τοποθεσίες.**
- **Απενεργοποιείτε πάντα το θαμνοκοπτικό ή απομακρύνετε τη συστοιχία μπαταριών όποτε αφήνετε το εργαλείο ανεπιτήρητο.**
- **Μη χρησιμοποιείτε στη βροχή.**
- **Ντύνεστε κατάλληλα** – Μη φοράτε φαρδιά ρούχα ή κοσμήματα. Είναι πιθανό να εγκλωβιστούν στα κινούμενα εξαρτήματα. Όταν εργάζεστε σε εξωτερικούς χώρους συνιστάται να χρησιμοποιείτε λαστιχένια γάντια και γερά παπούτσια. Φοράτε κάλυμμα κεφαλής για να προφυλάξετε τα μακριά μαλλιά.
- **Χρησιμοποιείτε γυαλιά ασφαλείας** – Χρησιμοποιείτε πάντα μια μάσκα για το πρόσωπο ή προστατευτικό από τη σκόνη εάν δημιουργείται σκόνη κατά την εργασία.
- **Χρησιμοποιείτε το σωστό εργαλείο** – Μη χρησιμοποιείτε το εργαλείο για άλλη εργασία από την προοριζόμενη.
- **Μη ζορίζετε το θαμνοκοπτικό** – Η εργασία θα γίνει καλύτερα και με λιγότερους κινδύνους στον ρυθμό για τον οποίο έχει σχεδιαστεί.
- **Να είστε σε εγρήγορση και να προσέχετε τι κάνετε.** Χρησιμοποιείτε κοινή λογική. Μη λειτουργείτε το χλοοκοπτικό όταν είστε κουρασμένοι.
- **Μη χρησιμοποιείτε το θαμνοκοπτικό εάν είστε υπό την επήρεια αλκοόλ ή φαρμάκων.**
- **Τα προστατευτικά πρέπει να παραμένουν στη θέση τους και σε άψογη κατάσταση λειτουργίας.**
- **Διατηρείτε τα χέρια και τα πόδια πάντα μακριά από τον τομέα κοπής.**
- **Αποθηκεύετε το θαμνοκοπτικό σε εσωτερικό χώρο** – Όταν δεν το χρησιμοποιείτε πρέπει να το αποθηκεύετε σε εσωτερικό χώρο σε στεγνή τοποθεσία, ψηλά ή σε ασφαλές σημείο, έχοντας αφαιρέσει τη συστοιχία μπαταριών και εκτός εμβέλειας παιδιών.

- **Συντηρείτε το θαμνοκοπτικό με φροντίδα** – Διατηρείτε το προσάρτημα κοπής καθαρό για εξαιρετική απόδοση και για μείωση τραυματισμών. Ακολουθείτε τις οδηγίες σχετικά με την αλλαγή αξεσουάρ. Διατηρείτε τις λαβές στεγνές, καθαρές και απομακρύνετε από αυτές τυχόν λάδια και γράσο.
- **Ελέγχετε τα φθαμένα εξαρτήματα** – Πριν χρησιμοποιήσετε περαιτέρω το θαμνοκοπτικό, πρέπει να ελέγχετε προσεκτικά τα προστατευτικά ή άλλα εξαρτήματα για ενδείξεις βλάβης για να προσδιορίσετε αν θα λειτουργήσουν σωστά και να θα πραγματοποιήσουν τη λειτουργία για την οποία προορίζονται. Ελέγχετε για στρεβλώσεις ή εμπλοκή των κινούμενων εξαρτημάτων, σπάσιμο τμημάτων, ορθή συναρμολόγηση ή οποιαδήποτε άλλη κατάσταση που είναι πιθανό να επηρεάσει τη λειτουργία του ηλεκτρικού εργαλείου. Η καλύπτρα ή οποιοδήποτε άλλο τμήμα που έχει φθαρεί θα πρέπει να επισκευαστεί σωστά ή να αντικατασταθεί σε εξουσιοδοτημένο σημείο σέρβις, εκτός κι αν αναφέρεται διαφορετικά στο παρόν εγχειρίδιο.
- **Εξασφαλίστε ότι όλοι σφινγκήρες είναι στη θέση τους και σφιγμένοι καλά.** Βεβαιώστε ότι το προστατευτικό προσαρτήματος κοπής έχει τοποθετηθεί σωστά και στην προτεινόμενη θέση από τον κατασκευαστή.
- **Καθαρίζετε την περιοχή κοπής πριν από κάθε χρήση.** Απομακρύνετε όλα τα αντικείμενα όπως πέτρες, σπασμένα γυαλιά, καρφιά, σύρματα ή νήματα τα οποία μπορεί να πεταχτούν ή να μπερδευτούν στο προσάρτημα κοπής. Εκκενώνετε το χώρο από παιδιά, παρευρισκόμενους και κατοικίδια. Τα παιδιά, οι παρευρισκόμενοι και τα κατοικίδια πρέπει να βρίσκονται τουλάχιστον σε μια ακτίνα 15 μ. (50 ft). Μπορεί να συνεχίζει να υπάρχει κίνδυνος λόγω εκτοξευόμενων αντικειμένων. Οι παρευρισκόμενοι πρέπει να ενθαρρύνονται να φοράνε προστασία για τα μάτια.
- **Κρατάτε πάντα το θαμνοκοπτικό σφιχτά και με τα δύο χέρια από τις λαβές κατά τη λειτουργία.** Τυλίγετε τα δάχτυλα και τον αντίχειρα γύρω από τις λαβές.
- **Αποφεύγετε τυχαία εκκίνηση** – Μην μεταφέρετε το θαμνοκοπτικό με το δάχτυλο στη σκανδάλη.
- **Μη χειρίζεστε το θαμνοκοπτικό σε ατμόσφαιρα με αέρια ή σε εκρηκτική ατμόσφαιρα.** Τα μοτέρ σε αυτές τις συσκευές παρουνισιάζουν φυσιολογικά σπινθήρες και οι σπινθήρες μπορεί να αναφλέξουν αέρια.
- **Ζημιά στο θαμνοκοπτικό** – Εάν χτυπήσετε ένα ξένο αντικείμενο με το θαμνοκοπτικό ή εάν προκύψει μπλοκάρισμα, σταματήστε το εργαλείο αμέσως, ελέγξτε για ζημιές και επιτρέψτε την επισκευή πριν από περαιτέρω λειτουργία. Μη χειρίζεστε με σπασμένο προστατευτικό ή λεπίδα.
- **Εάν ο εξοπλισμός αρχίσει να δονείται μη φυσιολογικά, σταματήστε τον κινητήρα και ελέγξτε αμέσως την αιτία.** Οι κραδασμοί είναι συνήθως προειδοποίηση προβλημάτων. Μια χαλαρή λεπίδα μπορεί να δονείται, να ραγίσει, να σπάσει ή να ξεφύγει από το θαμνοκοπτικό με αποτέλεσμα σοβαρό ή θανατηφόρο τραυματισμό. Βεβαιώστε ότι το εξάρτημα κοπής είναι σωστά τοποθετημένο και καλά σφιγμένο. Εάν η λεπίδα λασκάρει μετά τη στερέωση στη θέση της, αντικαταστήστε την αμέσως. Ποτέ μη χρησιμοποιείτε ένα θαμνοκοπτικό με λασκαρισμένο προσάρτημα κοπής.
- **Για μείωση του κινδύνου τραυματισμού από απώλεια ελέγχου, ποτέ μην εργάζεστε επάνω σε σκάλα ή σε οποιαδήποτε άλλη μη ασφαλή υποστήριξη.** Ποτέ μην κρατάτε το προσάρτημα κοπής πάνω από το ύψος μέσης.
- **Πατάτε σταθερά και διατηρείτε την ισορροπία σας.** Μην προεκτείνεστε. Κρατάτε το εξάρτημα κοπής κάτω από το επίπεδο της μέσης σας. Έχετε όλα τα τμήματα του σώματός σας μακριά από το περιστρεφόμενο εξάρτημα κοπής.
- Αντικαθιστάτε μια ραγισμένη, με ζημιές ή φθαμένη λεπίδα αμέσως, ακόμα και εάν η ζημιά είναι μόνο επιφανειακές ρωγμές. Τέτοια προσάρτηματα μπορεί να σπάσουν σε υψηλή ταχύτητα και να προκαλέσουν σοβαρό ή θανατηφόρο τραυματισμό.
- Ελέγχετε το προσάρτημα κοπής ανά τακτά χρονικά διαστήματα κατά τη λειτουργία ή αμέσως, εάν υπάρχει αισθητή αλλαγή στη συμπεριφορά κοπής.
- **Εάν σας προσεγγίσουν, σταματήστε το μοτέρ και το προσάρτημα κοπής.** Στην περίπτωση μονόδων με λεπίδα, υπάρχει επίσης ο κίνδυνος τραυματισμού σε παρευρισκόμενους από χτύπημα στην περίπτωση ανάκρουσης της λεπίδας ή άλλης μη αναμενόμενης αντίδρασης της λεπίδας.

- **Ο χειριστής πρέπει να έχει πάντα το νου του στον κίνδυνο από την αναπήδηση της λεπίδας.**
 - Η ανάκρουση λεπίδας μπορεί να προκύψει όταν η περιστρεφόμενη λεπίδα έρθει σε επαφή με ένα αντικείμενο που δεν κόβει απευθείας.
 - Η ανάκρουση του δίσκου κοπής μπορεί να είναι τόσο απότομη, ώστε να νινάξει τη μονάδα και/ή το χειριστή προς οποιαδήποτε κατεύθυνση, με κίνδυνο να χαθεί ο έλεγχος της μονάδας.
 - Η ανάκρουση του δίσκου κοπής μπορεί να συμβεί απροειδοποίητα, αν η λεπίδα πάθει εμπλοκή, σβήσει ή κολλήσει.
 - Η ανάκρουση του δίσκου κοπής είναι πιθανότερο να συμβεί σε περιοχές όπου δεν διακρίνεται καλά το υλικό που κόβει το μηχάνημα.
- **Μην προσαρτάτε λεπίδες σε μια μονάδα χωρίς σωστή εγκατάσταση των απαιτούμενων εξαρτημάτων.** Εάν δεν χρησιμοποιούνται τα σωστά εξαρτήματα μπορεί να προκληθεί εκτόξευση της λεπίδας και σοβαρός τραυματισμός του χειριστή ή/και των παρευρισκόμενων. Απορρίψτε τις λεπίδες που έχουν λυγίσει, στραβώσει, ραγίσει, σπάσει ή καταστραφεί με οποιονδήποτε τρόπο. Χρησιμοποιείτε αιχμηρές λεπίδες. Μια στομωμένη λεπίδα έχει περισσότερες πιθανότητες να σκαλώσει και να αναπηδήσει.
- **Μια λεπίδα που κινείται ελεύθερα μπορεί να προκαλέσει τραυματισμό όταν συνεχίζει να περιστρέφεται αφού σβήσει ο κινητήρας ή απελευθερωθεί η σκανδάλη.** Διατηρείτε καλό έλεγχο μέχρι να σταματήσει τελείως η περιστροφή της λεπίδας.
- **Μη φορτίζετε την μπαταρία στη βροχή ή σε υγρές τοποθεσίες.**
- Χρησιμοποιείτε μόνο με συστοιχίες μπαταριών και φορτιστές που αναφέρονται παρακάτω:

ΣΥΣΤΟΙΧΙΑ ΜΠΑΤΑΡΙΩΝ	ΦΟΡΤΙΣΤΗΣ
BA1120E, BA2240E, BA2800	CH2100E CH5500E

- **Η συστοιχία μπαταριών πρέπει να απομακρυνθεί από τη συσκευή πριν την απόρριψη της τελευταίας.**
- **Μην απορρίψτε τις μπαταρίες στη φωτιά.** Τα στοιχεία μπορεί να εκραγούν. Ελέγχετε τους τοπικούς κώδικες για πιθανές ειδικές οδηγίες απόρριψης.
- **Μην ανοίγετε ή παραμορφώνετε τη μπαταρία.** Ο ηλεκτρολύτης που αποδεσμεύεται είναι διαβρωτικός και μπορεί να προκαλέσει βλάβη στα μάτια ή το δέρμα. Μπορεί να είναι τοξικός εάν καταποθεί.
- **Να είστε προσεκτικοί κατά το χειρισμό μπαταριών ώστε να μην βραχυκυκλωθεί η μπαταρία με αγωγίμα υλικά όπως δαχτυλίδια, βραχιόλια και κλειδιά.** Η μπαταρία ή ο αγωγός μπορεί να υπερθερμανθούν και να προκαλέσουν εγκαύματα.
- **Εξαρτήματα αντικατάστασης -** Όταν κάνετε συντήρηση του εργαλείου, χρησιμοποιείτε μόνο ίδια ανταλλακτικά της EGO. Η χρήση οποιουδήποτε άλλου αξεσουάρ ή προσαρτήματος μπορεί να αυξήσει τον κίνδυνο τραυματισμού.
- **Τα εργαλεία μπαταρίας δεν πρέπει να συνδέονται σε ηλεκτρική πρίζα.** Γι' αυτό βρίσκονται πάντα σε κατάσταση λειτουργίας. Προσέχετε πιθανούς κινδύνους ακόμα και όταν το εργαλείο δεν λειτουργεί. Προσέχετε όταν διεξάγετε συντήρηση ή σέρβις.
- **Αφαιρείτε ή αποσυνδέετε τη συστοιχία μπαταριών πριν το σέρβις, τον καθαρισμό ή την απομάκρυνση υλικών από το θαμνοκοπτικό.**
- **Μην πλένετε με εύκαμπο σωλήνα.** Αποφεύγετε να εισέρχεται νερό στον κινητήρα και στις ηλεκτρικές συνδέσεις.
- **Εάν προκύψουν καταστάσεις που δεν καλύπτονται στο παρόν εγχειρίδιο, να είστε προσεκτικοί και να κρίνετε σωστά.** Επικοινωνήστε με το κέντρο σέρβις πελατών της EGO για βοήθεια.
- **Φυλάξτε αυτές τις οδηγίες.** Ανατρέχετε σε αυτές συχνά και χρησιμοποιείτε τις για να εκπαιδεύετε άλλους που μπορεί να χρησιμοποιήσουν το εργαλείο. Εάν δανείσετε αυτό το εργαλείο σε κάποιον άλλο, δανείστε και αυτές τις οδηγίες, ώστε να εμποδίσετε εσφαλμένη χρήση του προϊόντος και πιθανό τραυματισμό.

ΣΗΜΕΙΩΣΗ: ΔΕΙΤΕ ΤΟ ΕΓΧΕΙΡΙΔΙΟ ΧΡΗΣΗΣ ΤΗΣ ΗΛΕΚΤΡΙΚΗΣ ΣΑΣ ΚΕΦΑΛΗΣ ΓΙΑ ΕΠΙΠΡΟΣΘΕΤΟΥΣ ΕΙΔΙΚΟΥΣ ΚΑΝΟΝΕΣ ΑΣΦΑΛΕΙΑΣ.

ΠΡΟΔΙΑΓΡΑΦΕΣ

Πλάτος κοπής	30 εκ	
Ταχύτητα χωρίς φορτίο	5000/6000 mm^{-1}	
Βάρος	1,82 κιλά	
Μετρημένη στάθμη ηχητικής ισχύος L_{WA}	96,5 dB(A) K=1,88 dB(A)	
Στάθμη ηχητικής πίεσης στη θέση χειριστή L_{PA}	84,5 dB(A) K=3 dB(A)	
Εγγυημένο επίπεδο ισχύος ήχου L_{WA} (σύμφωνα με 2000/14/EC)	98 dB(A)	
Δονήσεις a_h	Λαβή μπροστινής υποβοήθησης	2,8 m/s^2 $k=1,6 \text{ m/s}^2$
	Μπροστινή λαβή	3,1 m/s^2 $k=1,6 \text{ m/s}^2$

- Οι παραπάνω παράμετροι έχουν ελεγχθεί και μετρηθεί με εξοπλισμό ηλεκτρικής κεφαλής PH1400E.
- Η αναφερόμενη συνολική τιμή κραδασμών έχει μετρηθεί σύμφωνα με την πρότυπη μέθοδο ελέγχου και μπορεί να χρησιμοποιηθεί για τη σύγκριση ενός εργαλείου με κάποιο άλλο.
- Η αναφερόμενη συνολική τιμή κραδασμών μπορεί να χρησιμοποιηθεί επίσης για την προκαταρκτική αξιολόγηση της έκθεσης.

ΣΗΜΕΙΩΣΗ: Οι εκπομπές κραδασμών κατά τη διάρκεια της πραγματικής χρήσης του ηλεκτρικού εργαλείου μπορεί να διαφέρουν από τη δηλωμένη τιμή στην οποία χρησιμοποιείται το εργαλείο. Για την προστασία του χειριστή, πρέπει να χρησιμοποιούνται γάντια και προστασία της ακοής στις πραγματικές συνθήκες χρήσης.

Προτεινόμενη Λεπίδα

ΟΝΟΜΑ ΕΞΑΡΤΗΜΑΤΟΣ	ΑΡΙΘΜΟΣ ΜΟΝΤΕΛΟΥ
Λεπίδα θαμνοκοπτικού	ABB1203

ΚΑΤΑΛΟΓΟΣ ΕΞΑΡΤΗΜΑΤΩΝ ΣΥΣΚΕΥΑΣΙΑΣ

ΟΝΟΜΑ ΕΞΑΡΤΗΜΑΤΟΣ	ΠΟΣΟΤΗΤΑ
Προσάρτημα θαμνοκοπτικού	1
Σετ λεπίδας και θήκης λεπίδας	1
Προστατευτικό	1
Αξεσουάρ προστατευτικού (για χρήση MONO με την κεφαλή χλοοκοπτικού)	1
Εξάγωνο κλειδί	1
Κλειδί πολλαπλών λειτουργιών	1
Εγχειρίδιο χρήσης	1

ΠΕΡΙΓΡΑΦΗ

ΓΝΩΡΙΣΤΕ ΤΟ ΠΡΟΣΑΡΤΗΜΑ ΘΑΜΝΟΚΟΠΤΙΚΟΥ (Εικ. Α)

1. Τερματικό πώμα
2. Αξονοας θαμνοκοπτικού
3. Προστατευτικό
4. Λεπίδα
5. Θήκη λεπίδας
6. Σύσφιξη καλωδίου
7. Βίδα στεγανοποίησης
8. Κιβώτιο γραναζιών
9. Οπή ασφάλισης άξονα
10. Εξωτερική φλάντζα
11. Κλειδί πολλαπλών λειτουργιών
12. Εξάγωνο κλειδί
13. Αξεσουάρ προστατευτικού (για χρήση MONO με την κεφαλή χλοοκοπτικού)

⚠️ ΠΡΟΕΙΔΟΠΟΙΗΣΗ: Ποτέ μη χειρίζεστε το εργαλείο χωρίς το προστατευτικό στη θέση του. Το προστατευτικό πρέπει να βρίσκεται πάντα στο εργαλείο για την προστασία του χρήστη.

⚠️ ΠΡΟΕΙΔΟΠΟΙΗΣΗ: Όταν το εργαλείο χρησιμοποιείται ως χλοοκοπτικό, εξοπλισμένο με κεφαλή χλοοκοπτικού, το παρελκόμενο προστασίας πρέπει να τοποθετείται επάνω στο προστατευτικό. Μη συμμόρφωση μπορεί να επιφέρει μια εξαιρετικά μακριά γραμμή κοπής και υπεφόρτωση του μοτέ.

ΣΥΝΑΡΜΟΛΟΓΗΣΗ

⚠️ ΠΡΟΕΙΔΟΠΟΙΗΣΗ: Σε περίπτωση που κάποια από τα εξαρτήματα έχουν υποστεί ζημιά ή λείπουν, μη χρησιμοποιήσετε το μηχάνημα, μέχρι να αντικατασταθούν. Η χρήση αυτού του προϊόντος με φθαρμένα ή ελλιπή εξαρτήματα μπορεί να έχει σαν αποτέλεσμα σοβαρό ατομικό τραυματισμό.

⚠️ ΠΡΟΕΙΔΟΠΟΙΗΣΗ: Μην επιχειρήσετε να τροποποιήσετε αυτό το εργαλείο ή να χρησιμοποιήσετε εξαρτήματα που δεν συστήνονται για χρήση με αυτό το χλοοκοπτικό με νήμα. Οποιαδήποτε τέτοια μετατροπή ή τροποποίηση μπορεί να προκαλέσει επικίνδυνες συνθήκες με επακόλουθο σοβαρό τραυματισμό

⚠️ ΠΡΟΕΙΔΟΠΟΙΗΣΗ: Φοράτε πάντα ανθεκτικά γάντια κατά την εγκατάσταση ή απομάκρυνση της λεπίδας ή του προστατευτικού ή όταν διεξάγετε συντήρηση στη λεπίδα. Προσέχετε τη λεπίδα και προστατεύετε τα χέρια σας από τραυματισμό λόγω της λεπίδας.

⚠️ ΠΡΟΕΙΔΟΠΟΙΗΣΗ: Μη συνδέετε στην ηλεκτρική κεφαλή, μέχρι να ολοκληρωθεί η συναρμολόγηση. Σε αντίθετη περίπτωση ενέχει κίνδυνο τυχαίας ενεργοποίησης και επακόλουθου σοβαρού τραυματισμού.

ΣΗΜΕΙΩΣΗ: Η σωστή σειρά συναρμολόγησης του προσαρτήματος θαμνοκοπτικού είναι πρώτα η τοποθέτηση του προστατευτικού και κατόπιν της λεπίδας και τέλος η προσάρτηση της ηλεκτρικής κεφαλής.

⚠️ ΠΡΟΕΙΔΟΠΟΙΗΣΗ: Ποτέ μη χειρίζεστε το εργαλείο χωρίς το προστατευτικό και τη λαβή μπροστινής υποβοήθησης με ράβδο οριοθέτησης στη θέση τους. Σε μη συμμόρφωση μπορεί να επέλθει πιθανός σοβαρός ατομικός τραυματισμός.

ΤΟΠΟΘΕΤΗΣΗ ΤΟΥ ΠΡΟΣΤΑΤΕΥΤΙΚΟΥ

1. Σηκώστε το θαμνοκοπτικό με κατεύθυνση προς τα κάτω. Ευθυγραμμίστε τις δύο οπές τοποθέτησης στο προστατευτικό με τα δύο μπουλόνια που έχουν προσυναρμολογηθεί στην πλάκα σταθεροποίησης. Εξασφαλίστε ότι η εσωτερική επιφάνεια του προστατευτικού βλέπει προς την κεφαλή θαμνοκοπτικού (Εικ. C).
2. Κλειδώστε το προστατευτικό στη θέση του με τα μπουλόνια και το παρεχόμενο εξάγωνο κλειδί (Εικ. D).

ΤΟΠΟΘΕΤΗΣΗ ΤΗΣ ΛΕΠΙΔΑΣ

1. Η λεπίδα αποστέλλεται με μια θήκη. Προτού τοποθετήσετε τη λεπίδα επάνω στο θαμνοκοπτικό, η θήκη πρέπει να αφαιρεθεί αφαιρώντας τη σύσφιξη καλωδίου από το άγκιστρο στη θήκη (Εικ. E).

Εικ. E Για την περιγραφή των εξαρτημάτων δείτε παρακάτω:

E-1	Άγκιστρο
E-2	Σύσφιξη καλωδίου

2. Περιστρέψτε την εξωτερική φλάντζα για να ευθυγραμμίσετε την υποδοχή στην εσωτερική φλάντζα με την οπή στο κιβώτιο γραναζιών (Εικ. F).
3. Εισαγάγετε το παρεχόμενο εξάγωνο κλειδί μέσα στις ευθυγραμμισμένες οπές, ώστε να ενεργήσει ως σταθεροποιητής (Εικ. G).

Εικ. F & G Περιγραφή εξαρτημάτων, δείτε παρακάτω:

F-1	Κιβώτιο γραναζιών
F-2	Ευθυγραμμισμένες οπές ασφάλισης άξονα
F-3	Εξωτερική φλάντζα
G-1	Σταθεροποιητής

4. Τοποθετήστε την κεφαλή θαμνοκοπτικού κόντρα σε μια στερεή επιφάνεια για υποστήριξη. Πιάστε με το ένα χέρι τον άξονα θαμνοκοπτικού και χρησιμοποιήστε το άλλο χέρι για να πιάσετε το κλειδί πολλαπλών λειτουργιών που παρέχεται για να λασκάρετε το παξιμάδι στην κατεύθυνση του επισημασμένου βέλους στην εξωτερική φλάντζα και να αφαιρέσετε το παξιμάδι και την εξωτερική φλάντζα. Φυλάξτε τα για την επανασυναρμολόγηση (Εικ. H).
5. Τοποθετήστε τη λεπίδα επάνω στον άξονα μοτέρ εξασφαλίζοντας ότι η επιφάνεια της λεπίδας είναι ισοπέδη με την επιφάνεια της προεξοχής εσωτερικής φλάντζας. Συνεχίστε με την τοποθέτηση της εξωτερικής φλάντζας και του παξιμαδιού (Εικ. I). Σφίξτε αρχικά το παξιμάδι **ΑΡΙΣΤΕΡΟΣΤΡΟΦΑ** με το χέρι.

Εικ. I Για την περιγραφή των εξαρτημάτων δείτε παρακάτω:

I-1	Προεξοχή εσωτερικής φλάντζας
I-2	Άξονας μοτέρ
I-3	Παξιμάδι
I-4	Εξωτερική φλάντζα
I-5	Λεπίδα

6. Περιστρέψτε την εξωτερική φλάντζα για να ευθυγραμμίσετε την υποδοχή στην εσωτερική φλάντζα με την οπή ασφάλισης άξονα στο κιβώτιο γραναζιών και εισαγάγετε το παρεχόμενο εξάγωνο κλειδί μέσα στις ευθυγραμμισμένες οπές ως σταθεροποιητή, όπως φαίνεται στα προηγούμενα βήματα 2 & 3.

7. Τοποθετήστε την κεφαλή θαμνοκοπτικού κόντρα σε μια στερεή επιφάνεια για υποστήριξη. Πιάστε με το ένα χέρι τη λεπίδα και χρησιμοποιήστε το άλλο χέρι για να πιάσετε το κλειδί πολλαπλών λειτουργιών που παρέχεται για να σφίξετε το παξιμάδι στην αντίθετη κατεύθυνση του επισημασμένου βέλους στην εξωτερική φλάντζα (Εικ. J).

Χρήση του παρελκόμενου προστασίας

ΣΗΜΕΙΩΣΗ: Όταν το εργαλείο χρησιμοποιείται ως χλοοκοπτικό, εξοπλισμένο με κεφαλή χλοοκοπτικού, το παρελκόμενο προστασίας πρέπει να τοποθετείται επάνω στο προστατευτικό (Εικ. Κ).

Ασφαλίστε το παρελκόμενο προστασίας επάνω στο προστατευτικό σφίγγοντας τις τρεις βίδες με το παρεχόμενο εξάγωνο κλειδί. Μη συμμόρφωση μπορεί να επιφέρει μια εξαιρετικά μακριά γραμμή κοπής και υπερφόρτωση του μοτέρ.

ΣΥΝΔΕΣΗ ΤΟΥ ΠΡΟΣΑΡΤΗΜΑΤΟΣ ΘΑΜΝΟΚΟΠΤΙΚΟΥ ΣΤΗΝ ΗΛΕΚΤΡΙΚΗ ΚΕΦΑΛΗ

Αυτό το προσάρτημα θαμνοκοπτικού έχει σχεδιαστεί για χρήση με την ηλεκτρική κεφαλή EGO RH1400E.

Δείτε το απόσπασμα «**ΕΓΚΑΤΑΣΤΑΣΗ ΕΝΟΣ ΠΡΟΣΑΡΤΗΜΑΤΟΣ ΣΤΗΝ ΗΛΕΚΤΡΙΚΗ ΚΕΦΑΛΗ**» στο εγχειρίδιο χρήσης της ηλεκτρικής κεφαλής RH1400E.

ΛΕΙΤΟΥΡΓΙΑ

⚠ ΠΡΟΕΙΔΟΠΟΙΗΣΗ: Η εξοικειωσή σας με αυτό το προϊόν δε θα πρέπει να σας κάνει λιγότερο προσεκτικούς. Θυμηθείτε πως ένα κλάσμα δευτερολέπτου απροσεξίας μπορεί να προκαλέσει σοβαρό τραυματισμό.

⚠ ΠΡΟΕΙΔΟΠΟΙΗΣΗ: Φοράτε πάντα προστασία για τα μάτια με πλαϊνά προστατευτικά, μαζί με προστασία για την ακοή. Σε αντίθετη περίπτωση, είναι πιθανό να υπάρξει εκτόξευση αντικειμένων στα μάτια σας και άλλοι πιθανοί σοβαροί τραυματισμοί.

ΕΦΑΡΜΟΓΕΣ

Μπορείτε να χρησιμοποιήσετε αυτό το προϊόν για τους κατωτέρω αναφερόμενους σκοπούς:

- Κοπή γρασιδιού, αγριόχορτων, άγριας βλάστησης και θάμνων, καθαρίσματος νέων φυτών με μέγιστη διάμετρο στελέχους 2 εκ.

ΣΗΜΕΙΩΣΗ: Το εργαλείο πρέπει να χρησιμοποιείται αποκλειστικά για τη σκοπούμενη χρήση. Οποιαδήποτε άλλη χρήση θα χαρακτηριστεί ως περίπτωση κακής χρήσης.

ΧΡΗΣΗ ΤΟΥ ΘΑΜΝΟΚΟΠΤΙΚΟΥ ΜΕ ΤΗΝ ΗΛΕΚΤΡΙΚΗ ΚΕΦΑΛΗ

⚠ ΠΡΟΕΙΔΟΠΟΙΗΣΗ: Ντύνεστε κατάλληλα για τη μείωση κινδύνου τραυματισμού κατά τη λειτουργία αυτού του εργαλείου. Μη φοράτε φαρδιά ρούχα ή κοσμήματα. Φοράτε προστατευτικά γυαλιά και προστατευτικό αφιτών/ακοής. Φοράτε βοριά, μακριά παντελόνια, μπότες και γάντια. Μην φοράτε κοντά παντελόνια, σανδάλια και μην είστε ζυπόλυτοι.

Για μια ασφαλή και καλύτερη λειτουργία, τοποθετήστε τον μάντα ώμου εγκάρσια στον ώμο. Ρυθμίστε τον μάντα ώμου σε μια άνετη θέση λειτουργίας. Κρατάτε το θαμνοκοπτικό με το ένα χέρι στην οπίσθια χειρολαβή και το άλλο χέρι στη λαβή μπροστινής υποβοήθησης. Κρατάτε σφιχτά και με τα δύο χέρια κατά τη λειτουργία. Το θαμνοκοπτικό πρέπει να κρατιέται σε άνετη θέση με την πίεση λαβή περίπου στο ύψος των γοφών. Διατηρείτε καλή στάση και ισορροπία και στα δύο πόδια. Να έχετε τέτοια θέση ώστε να μην χάσετε την ισορροπία σας από αντίδραση λακτίσματος της λεπίδας κοπής (Εικ. Β).

⚠ ΠΡΟΕΙΔΟΠΟΙΗΣΗ: Ο μάντας ώμου είναι επίσης ένας μηχανισμός γρήγορης αποδέσμευσης σε επικίνδυνη κατάσταση. Σε επείγουσα κατάσταση αφαιρέστε τον από τον ώμο σας αμέσως, ανεξάρτητα από τη θέση του μάντα.

Για την κοπή άγριας βλάστησης και θάμνων χαμηλώστε την περιστρεφόμενη λεπίδα επάνω στη βλάστηση για να επιτύχετε το αποτέλεσμα κοπής. Χρησιμοποιήστε το θαμνοκοπτικό σαν δρεπάνι (σαρώνετε δεξιά και αριστερά) στο επίπεδο του εδάφους. Μη χρησιμοποιείτε το προσάρτημα κοπής πάνω από το ύψος μέσης.

⚠ ΠΡΟΕΙΔΟΠΟΙΗΣΗ: Όσο πιο ψηλά είναι το προσάρτημα κοπής από το έδαφος, τόσο μεγαλύτερος είναι ο κίνδυνος τραυματισμού από κομμένα κομμάτια που πετιούνται στα πλάγια.

⚠ ΠΡΟΕΙΔΟΠΟΙΗΣΗ: Όταν κόβετε νέα βλάστηση ή άλλα ξύλινα υλικά διαμέτρου έως 2 εκ., χρησιμοποιείτε την αριστερή πλευρά της λεπίδας ώστε να αποφεύγετε καταστάσεις ανάκρουσης λεπίδας. Μην προσπαθείτε να κόβετε ξύλινα υλικά με μεγαλύτερη διάμετρο, καθώς η λεπίδα μπορεί να μαγκώσει ή το θαμνοκοπτικό μπορεί να πεταχτεί προς τα εμπρός. Αυτό μπορεί να προκαλέσει ζημιά στη λεπίδα ή το θαμνοκοπτικό ή απώλεια του ελέγχου θαμνοκοπτικού, με αποτέλεσμα ατομικό τραυματισμό.

⚠ ΠΡΟΕΙΔΟΠΟΙΗΣΗ: Ακατάλληλη χρήση μιας λεπίδας θαμνοκοπτικού μπορεί να προκαλέσει ρωγμή, κοπή ή σπάσιμό της.

GR

Αντικείμενα που πετάγονται μπορεί να προκαλέσουν σοβαρό τραυματισμό στο χειριστή ή παρευρισκόμενους. Για να μειώσετε τον κίνδυνο ατομικού τραυματισμού είναι σημαντικό να τηρείτε τα εξής προληπτικά μέτρα:

- Αποφεύγετε επαφή με σκληρά ή στερεά ξένα αντικείμενα όπως μικρές ή μεγάλες πέτρες ή μεταλλικά τεμάχια.
- Ποτέ μην κόβετε ξύλο ή θάμνους με μια διάμετρο στελέχους μεγαλύτερη από 2 εκ.
- Ελέγγετε τη λεπίδα ανά τακτά χρονικά διαστήματα για σμάρδια ζημιάς. Μη συνεχίζετε την εργασία με φθαρμένη λεπίδα.
- Επαναπροχίζετε τακτικά τη λεπίδα (όταν έχει στομώσει αισθητά) και εάν απαιτείται διεξάγετε ευθυγράμμιση της (η εργασία αυτή πρέπει να διεξάγεται από εξειδικευμένο τεχνικό του σέρβις).

ΑΝΑΚΡΟΥΣΗ ΛΕΠΙΔΑΣ

Να είστε ιδιαίτερα προσεκτικοί όταν χρησιμοποιείτε τη λεπίδα με αυτή τη μονάδα. Η ανάκρουση λεπίδας είναι η αντίδραση που μπορεί να προκύψει όταν η περιστρεφόμενη λεπίδα έρθει σε επαφή με οτιδήποτε δεν μπορεί να κόψει. Αυτή η επαφή μπορεί να κάνει τη λεπίδα να σταματήσει για λίγο και η μονάδα μπορεί ξαφνικά να ωθηθεί μακριά από το αντικείμενο που χτυπήθηκε. Η αντίδραση μπορεί να είναι τόσο βίαιη ώστε να κάνει το χειριστή να χάσει τον έλεγχο της μονάδας. Η ανάκρουση του δίσκου κοπής μπορεί να συμβεί απροειδοποίητα, αν το μηχάνημα πάθει εμπλοκή, σβήσει ή κολλήσει. Αυτό είναι πιθανότερο να συμβεί σε περιοχές όπου δεν διακρίνεται καλά το υλικό που κόβει το μηχάνημα. Για την ευκολία και ασφάλεια κατά τις κοπές, προσεγγίζετε τα αγριόχορτα που θα κοπούν με το θαμνοκοπτικό από τα δεξιά προς τα αριστερά. Στην περίπτωση που συναντήσετε απρόσμενα κάποιο αντικείμενο ή ξύλινο βλαστό, με αυτή την τακτική μπορεί να ελαχιστοποιηθεί η αντίδραση ανάκρουσης λεπίδας.

Πριν από κάθε χρήση ελέγχετε για εξαρτήματα με ζημιές/φθορές

Ελέγχετε τη λεπίδα, το προστατευτικό και τη λαβή μπροστινής υποβοήθησης και αντικαθιστάτε τα εξαρτήματα που έχουν ρωγμές, παραμόρφωση, λυγίσματα ή ζημιές οποιουδήποτε είδους.

Η ακμή της λεπίδας μπορεί να στομώσει με την πάροδο του χρόνου. Συστήνεται να αναποδογυρίζετε τη λεπίδα για να παρατείνεται η διάρκεια ζωής της και να την τροχίζετε περιοδικά (η εργασία αυτή διεξάγεται από εξειδικευμένο τεχνικό του σέρβις) ή να την αντικαθιστάτε με μια νέα εφόσον απαιτείται.

GR

Καθαρίζετε το θαμνοκοπτικό μετά από κάθε χρήση

Δείτε το απόσπασμα **ΣΥΝΤΗΡΗΣΗ** για οδηγίες καθαρισμού.

▲ ΠΡΟΕΙΔΟΠΟΙΗΣΗ: Εξασφαλίστε ότι η λεπίδα έχει σταματήσει εντελώς προτού καθαρίσετε ή συντηρήσετε το θαμνοκοπτικό. Σε μη συμμόρφωση μπορεί να επέλθει πιθανός σοβαρός ατομικός τραυματισμός.

ΕΝΑΡΞΗ/ΣΤΑΜΑΤΗΜΑ ΤΟΥ ΕΡΓΑΛΕΙΟΥ

Δείτε το απόσπασμα «ΕΝΑΡΞΗ/ΣΤΑΜΑΤΗΜΑ ΤΗΣ ΗΛΕΚΤΡΙΚΗΣ ΚΕΦΑΛΗΣ» στο εγχειρίδιο χρήσης της ηλεκτρικής κεφαλής PH1400E.

ΣΥΝΤΗΡΗΣΗ

▲ ΠΡΟΕΙΔΟΠΟΙΗΣΗ: Πριν τον έλεγχο, τον καθαρισμό ή τη συντήρηση της μονάδας, σταματήστε το μοτέρ, περιμένετε να σταματήσουν όλα τα κινούμενα εξαρτήματα και απομακρύνετε τη συστοιχία μπαταριών. Η μη τήρηση των οδηγιών μπορεί να οδηγήσει σε σοβαρό τραυματισμό ή υλικές ζημιές.

▲ ΠΡΟΕΙΔΟΠΟΙΗΣΗ: Όταν κάνετε συντήρηση του εργαλείου, χρησιμοποιείτε μόνο ίδια ανταλλακτικά. Η χρήση οποιουδήποτε άλλων εξαρτημάτων μπορεί να προκαλέσει κίνδυνο ή υλικές ζημιές. Για να διασφαλίζετε την ασφάλεια και την αξιοπιστία, όλες οι επισκευές πρέπει να διεξάγονται από εξειδικευμένο τεχνικό του σέρβις.

▲ ΠΡΟΕΙΔΟΠΟΙΗΣΗ: Φοράτε πάντα ανθεκτικά γάντια κατά την εγκατάσταση ή απομάκρυνση της λεπίδας ή διεξάγετε συντήρηση στη λεπίδα. Προσέχετε τη λεπίδα και προστατεύετε τα χέρια σας από τραυματισμό λόγω της λεπίδας.

ΓΕΝΙΚΗ ΣΥΝΤΗΡΗΣΗ

Αποφύγετε τη χρήση διαλυτών κατά τον καθαρισμό των πλαστικών εξαρτημάτων. Τα περισσότερα πλαστικά είναι ευπαθή στη χρήση διαφόρων τύπων διαλυτών του εμπορίου και καταστρέφονται από τη χρήση τους. Χρησιμοποιείτε καθαρό πανί για την απομάκρυνση βρωμιάς, σκόνης, λαδιού, γράσου κτλ.

ΚΑΘΑΡΙΣΜΟΣ ΤΗΣ ΜΟΝΑΔΑΣ

- Αφαίρεση της μπαταρίας
- Μετά από κάθε χρήση καθαρίζετε τα υπολείμματα, χύμα που έχει μπλοκάρει ή γράσιδι στη λεπίδα και το προστατευτικό χρησιμοποιώντας μια μαλακιά βούρτσα.
- Σκουπίστε την επιφάνεια εργαλείου με ένα καθαρό πανί νοτισμένο με ένα ήπιο διάλυμα σαπουνιάς.

- Χρησιμοποιείτε μια μικρή βούρτσα ή μια μικρή ηλεκτρική αναρροφητική σκούπα για να καθαρίζετε τις οπές αερισμού στο πίσω περίβλημα.

- Διατηρείτε τα ανοίγματα αερισμού χωρίς εμπόδια.

Όταν η λεπίδα στομώσει και οι δύο ακμές της λεπίδας είναι στομωμένες, αναθέστε το τρόχισμα σε έναν εξειδικευμένο τεχνικό του σέρβις ή αντικαταστήστε με μια νέα λεπίδα εφόσον απαιτείται.

ΑΝΤΙΚΑΤΑΣΤΑΣΗ ΤΗΣ ΛΕΠΙΔΑΣ

▲ ΠΡΟΕΙΔΟΠΟΙΗΣΗ: Μια φθαρμένη, ραγισμένη ή χαλασμένη λεπίδα μπορεί να σπάσει και κομμάτια αυτής της κινδυνεύουν να εκτοξευθούν. Αντικείμενα που πετούνται μπορεί να προκαλέσουν σοβαρό τραυματισμό. Ελέγχετε τη λεπίδα τακτικά και μη θέτετε σε λειτουργία το θαμνοκοπτικό με μια φθαρμένη ή χαλασμένη λεπίδα.

▲ ΠΡΟΕΙΔΟΠΟΙΗΣΗ: Χρησιμοποιείτε σωστή προστασία για τα μάτια όταν αφαιρείτε, τροχίζετε και εγκαθιστάτε τη λεπίδα.

Για να αφαιρέσετε τη λεπίδα

1. Αφαιρέστε τη μπαταρία.
2. Περιστρέψτε την εξωτερική φλάντζα για να ευθυγραμμίσετε την υποδοχή στην εσωτερική φλάντζα με την οπή ασφάλισης άξονα στο κιβώτιο γραναζιών και εισαγάγετε το παρεχόμενο εξάγωνο κλειδί μέσα στις ευθυγραμμισμένες οπές ως σταθεροποιητή, όπως φαίνεται στα βήματα 2 & 3 στο απόσπασμα «**ΤΟΠΟΘΕΤΗΣΗ ΤΗΣ ΛΕΠΙΔΑΣ**».
3. Τοποθετήστε την κεφαλή θαμνοκοπτικού κόντρα σε μια στερεή επιφάνεια για υποστήριξη. Πιάστε με το ένα χέρι τη λεπίδα και χρησιμοποιήστε το άλλο χέρι για να πιάσετε το κλειδί πολλαπλών λειτουργιών που παρέχεται για να λασκάρετε το παξιμάδι στην κατεύθυνση του επισημασμένου βέλους στην εξωτερική φλάντζα και να αφαιρέσετε το παξιμάδι, την εξωτερική φλάντζα και τη φθαρμένη λεπίδα (Εικ. L).
4. Ελέγχετε και αντικαθιστάτε την εσωτερική φλάντζα και το κάλυμμα φλάντζας εάν έχουν φθαρεί (Εικ. M).

Εικ. M Για την περιγραφή των εξαρτημάτων δείτε παρακάτω:

M-1	Άξονας μοτέρ
M-2	Εσωτερική φλάντζα
M-3	Κάλυμμα φλάντζας
M-4	Λεπίδα
M-5	Εξωτερική φλάντζα
M-6	Παξιμάδι
M-7	Υποδοχή στη φλάντζα

5. Εγκαταστήστε τη νέα λεπίδα επάνω στον άξονα μοτέρ με τη σειρά που φαίνεται στην Εικ. M. Για λεπτομέρειες ακολουθήστε τα βήματα που αναφέρονται στα βήματα 5, 6 & 7 στο απόσπασμα «**ΤΟΠΟΘΕΤΗΣΗ ΤΗΣ ΛΕΠΙΔΑΣ**».

ΛΙΠΑΝΣΗ ΣΥΣΤΗΜΑΤΟΣ ΟΔΟΝΤΟΤΡΟΧΩΝ

Το σύστημα οδοντοτροχών στο κιβώτιο γραναζιών πρέπει να λιπαίνεται περιοδικά με το γράσο μειωτήρων. Ελέγχετε σχεδόν κάθε 50 ώρες λειτουργίας τη στάθμη γράσου στο κιβώτιο γραναζιών αφαιρώντας τη βίδα στεγανοποίησης στα πλάγια του κιβωτίου.

Εάν δεν φαίνεται γράσο στις πλευρικές επιφάνειες του μειωτήρα, ακολουθήστε τα παρακάτω βήματα για να γεμίσετε με γράσο μειωτήρων έως την ένδειξη 3/4.

Μην γεμίσετε έως πάνω το σύστημα οδοντοτροχών.

1. Κρατήστε το θαμνοκοπτικό έτσι ώστε η βίδα στεγανοποίησης να βλέπει προς τα επάνω (Εικ. N).
2. Χρησιμοποιήστε το παρεχόμενο κλειδί πολλαπλών λειτουργιών για να λασκάρετε και να απομακρύνετε τη βίδα στεγανοποίησης.
3. Χρησιμοποιήστε μια σύριγγα γράσου (δεν περιλαμβάνεται) για να εισαγάγετε λίγο γράσο μέσα στην οπή βίδας.
4. Σφίξτε τη βίδα στεγανοποίησης μετά την έγχυση γράσου.

ΑΠΟΘΗΚΕΥΣΗ ΤΗΣ ΜΟΝΑΔΑΣ

- Απομακρύνετε τη συστοιχία μπαταριών από το εργαλείο.
- Φοράτε ανθεκτικά γάντια για να καθαρίζετε το εργαλείο σχολαστικά.
- Τοποθετείτε τη θήκη λεπίδας επάνω στη λεπίδα για μια ασφαλή αποθήκευση (Εικ. O).
- Απομακρύνετε το προσάρτημα θαμνοκοπτικού από την ηλεκτρική κεφαλή και τοποθετήστε το θερματικό καπάκι επάνω στον θερματικό άξονα προσαρτήματος εφόσον απαιτείται.
- Αποθηκεύετε τη μονάδα σε έναν στεγνό, καλά αεριζόμενο χώρο, κλειδωμένο ή σε ψηλό σημείο, εκτός εμβέλειας παιδιών. Μην αποθηκεύετε τη μονάδα επάνω ή δίπλα σε λιπάσματα, βενζίνη ή άλλες χημικές ουσίες.

Προστασία του περιβάλλοντος



Μην απορρίπτετε τους ηλεκτρικούς εξοπλισμούς, το φορτιστή μπαταρίας και τις μπαταρίες/επαναφορτιζόμενες μπαταρίες στα οικιακά απορρίμματα!

Σύμφωνα με τον Ευρωπαϊκό νόμο 2012/19/ΕΕ, οι ηλεκτρικοί και οι ηλεκτρονικοί εξοπλισμοί που δεν χρησιμοποιούνται πλέον και σύμφωνα με τον Ευρωπαϊκό νόμο 2006/66/ΕΚ, οι ελαττωματικές ή χρησιμοποιημένες συστοιχίες μπαταριών/μπαταρίες πρέπει να συλλέγονται ξεχωριστά.

Εάν οι ηλεκτρικές συσκευές απορριφθούν στο ύπαιθρο ή σε χλωματερές, τότε είναι πιθανό να διαρρεύσουν επικίνδυνες ουσίες στα υπόγεια ύδατα, με αποτέλεσμα να περάσουν στην τροφική αλυσίδα, προκαλώντας ζημιές στην υγεία και την φυσική σας κατάσταση.

ΔΗΛΩΣΗ ΣΥΜΜΟΡΦΩΣΗΣ ΕΚ



Εμείς η EGO EUROPE GMBH.

Wahlwiesenstrasse 1, D-71711 Steinheim an der Murr
Deutschland

Δηλώνουμε ότι το προϊόν **Προσάρτημα θαμνοκοπτικού 56V λιθίου - ιόντων BCA1200**, εξοπλισμένο με ηλεκτρική κεφαλή PH1400E

συμμορφώνεται με τις ουσιαστικές προδιαγραφές υγείας και ασφαλείας που περιλαμβάνονται στις ακόλουθες οδηγίες:

2006/42/EC, 2014/30/EU, 2011/65/EU, 2000/14/EC

Πρότυπα και τεχνικές προδιαγραφές στα οποία γίνεται αναφορά:

EN ISO 11806-1, EN 60745-1, EN 55014-1, EN 55014-2

Μετρημένη στάθμη ισχύος ήχου: 96,5 dB(A).

Εγγυημένη στάθμη ηχητικής ισχύος: 98 dB(A).

Peter Melrose
Διευθύνων Σύμβουλος της
EGO Europe GmbH

Dong Jianxun
Διευθυντής ποιότητας της
Chervon

* (Εξουσιοδοτημένος εκπρόσωπος της CHERVON και υπεύθυνος για την τεχνική τεκμηρίωση)

01/12/2016

ΑΝΤΙΜΕΤΩΠΙΣΗ ΠΡΟΒΛΗΜΑΤΩΝ

ΠΡΟΒΛΗΜΑ	ΑΙΤΙΑ	ΕΠΙΛΥΣΗ
Το θαμνοκοπτικό δεν εκκινείται.	<ul style="list-style-type: none"> ■ Η συστοιχία μπαταριών δεν έχει προσαρτηθεί στην ηλεκτρική κεφαλή. ■ Δεν υπάρχει ηλεκτρική επαφή μεταξύ της ηλεκτρικής κεφαλής και της συστοιχίας μπαταριών. ■ Η συστοιχία μπαταριών έχει εξαντληθεί. ■ Ο μοχλός ασφάλισης και η σκανδάλη δεν πατήθηκαν ταυτόχρονα. 	<ul style="list-style-type: none"> ■ Τοποθετήστε τη συστοιχία μπαταριών στην ηλεκτρική κεφαλή. ■ Απομακρύνετε τη μπαταρία, ελέγξτε τις επαφές και επανεγκαταστήστε τη συστοιχία μπαταριών, έως ότου κουμπώσει στη θέση της. ■ Φορτίστε τη συστοιχία μπαταριών με τους φορτιστές EGO που παρατίθενται στο παρόν εγχειρίδιο. ■ Πατήστε κάτω το μοχλό ασφάλισης και κρατήστε τον, κατόπιν πιέστε τη σκανδάλη για να ενεργοποιήσετε το θαμνοκοπτικό.
Το θαμνοκοπτικό σταματάει κατά την κοπή.	<ul style="list-style-type: none"> ■ Το μοτέρ έχει υπερφορτωθεί. ■ Η συστοιχία μπαταριών ή η ηλεκτρική κεφαλή είναι πολύ καυτή. ■ Η συστοιχία μπαταριών έχει αποσυνδεθεί από το εργαλείο. ■ Η συστοιχία μπαταριών έχει εξαντληθεί. 	<ul style="list-style-type: none"> ■ Το μοτέρ θα επανέλθει όταν αφαιρεθεί το φορτίο. Για συνεχή εργασία, μειώστε το φορτίο της ηλεκτρικής κεφαλής. ■ Επιτρέψτε η συστοιχία μπαταριών ή η ηλεκτρική κεφαλή να κρυνούν, έως ότου η θερμοκρασία πέσει κάτω από τους 152°F (67°C). ■ Επαναγκαταστήστε τη συστοιχία μπαταριών. ■ Φορτίστε τη συστοιχία μπαταριών με τους φορτιστές EGO που παρατίθενται στο παρόν εγχειρίδιο.

ΕΓΓΥΗΣΗ

ΠΟΛΙΤΙΚΗ ΕΓΓΥΗΣΗΣ EGO

Επισκεφθείτε την ιστοσελίδα egopowerplus.com για όλους τους όρους και τις προϋποθέσεις της πολιτικής εγγύησης EGO.

TÜM TALIMATLARI OKUYUN!



KULLANIM KILAVUZUNU OKUYUN

⚠️ Artık risk! Kalp pili gibi elektronik cihaz kullanan kişiler bu ürünü kullanmadan önce hekimlerine danışmalıdır. Elektrikli cihazların, kalp pili yakınında çalıştırılması kalp pilinde parazite veya arızaya neden olabilir.

⚠️ UYARI: Güvenliği ve güvenilirliği sağlamak için, tüm onarım işlemleri yetkili bir servis teknisyeni tarafından gerçekleştirilmelidir.

GÜVENLİK SEMBOLLERİ

Güvenlik sembollerinin amacı olası tehlikelere dikkatinizi çekmektir. Güvenlik sembolleri ve yanlarındaki açıklamalar özel dikkat ve anlayış göstermenizi gerektirir. Uyarı sembolleri kendi başlarına herhangi bir tehlikeyi göstermez. Sundukları talimat ve uyarılar uygun kaza önleme önlemlerinin yerine geçmez.

⚠️ UYARI: Bu aleti kullanmadan önce, “**TEHLİKE**”, “**UYARI**” ve “**DİKKAT**” gibi tüm güvenlik uyarı ve sembollerini içeren bu Kullanım Kılavuzu içerisindeki tüm güvenlik talimatlarını okuyup anladığınızdan emin olun. Aşağıdaki talimatların tamamına uyulmaması elektrik çarpması, yangın ve/veya ciddi kişisel yaralanma ile sonuçlanabilir.

SEMBOLÜN ANLAMI

⚠️ GÜVENLİK UYARI SEMBOLÜ: TEHLİKE, UYARI veya DİKKAT edilmesi gereken durumları gösterir. Diğer semboller veya resimlerle birlikte kullanılabilir.



⚠️ UYARI: Herhangi bir elektrikli aletin kullanımı yabancı nesnelerin gözlerinize fırlatılması sonucunu doğurabilir, bu da gözlerde ciddi hasara yol açabilir. Elektrikli aleti kullanmaya başlamadan önce, daima göz koruması veya yan siperleri olan koruyucu gözlük takın ve gerektiğinde tam yüz siperi kullanın. Gözlük üzerine kullanım için Wide Vision Koruyucu Maske ya da yan siperleri olan standart koruyucu gözlükleri tavsiye ederiz.

TR

GÜVENLİK TALIMATLARI

Bu sayfada, bu ürün üzerinde görülebilecek güvenlik sembolleri gösterilmekte ve açıklanmaktadır. Makineyi monte etmeye ve kullanmaya başlamadan önce, makineye ilişkin tüm talimatları okuyup anlayın ve bu talimatlara uyun.

	Güvenlik Uyarısı	Potansiyel bir kişisel yaralanma tehlikesini gösterir.
	Kullanım Kılavuzunu Okuyun	Yaralanma riskini azaltmak için, kullanıcı bu ürünü kullanmadan önce kullanım kılavuzunu okuyup anlamalıdır.
	Koruyucu Gözlük Takın	Bu ürünü çalıştırırken daima göz koruması, yan siperleri olan koruyucu gözlük ya da tam yüz maskesi kullanın.
	Kulak Koruması Takın	Yüksek dal budama testeresinin çıkardığı gürültü işitme kaybına yol açabilir. Kulaklarınızı korumak için daima kulak koruyucu (kulak tıkacı veya kulaklık) kullanın.
	Koruyucu Kask Takın	Başınızı korumak için onaylanmış bir kask takın.
	Koruyucu Eldiven Takın	Testere ve testere zincirine dokunurken eldiven giyerek ellerinizi koruyun. Dayanıklı, kaymaz eldivenler daha iyi tutuş sağlarken ellerinizi de korur.
	Koruyucu Ayakkabı Giyin	Bu cihazı kullanırken kaymaz emniyet ayakkabılarını giyin.
	Kesim Genişliği	Çalı kesicinin maks. kesim genişliği

	Bıçağın kuvvette itilmesine karşı dikkatli olun	Operatörü bıçağın kuvvette itilme tehlikesine karşı uyarın.
	Sekme	Fırlayan nesnelere sekebilir ve kişisel yaralanma veya mal hasarına yol açabilir.
	Üçüncü Şahısları Uzak Tutun	Çalı kesici kullanılırken diğer insanların ve evcil hayvanların en az 15m uzakta olduklarından emin olun.
	Yuvarlak bıçak yok	Yuvarlak kesim bıçağı takmayın.
	Yağmura Maruz Bırakmayın	Bu ürünü yağmur altında kullanmayın veya yağmur yağarken dışarda bırakmayın.
	CE	Bu ürün geçerli AB direktiflerine uygundur.
	WEEE	Atık elektrikli ürünler, evsel atıklar ile birlikte imha edilmemelidir. Yetkili bir geri dönüşüm merkezine götürün.
	Gürültü	Garanti edilen ses gücü seviyesi. Avrupa Birliği Direktifi'ne göre çevre ses emisyonu.
V	Volt	Voltaj
mm	Milimetre	Uzunluk veya boyut
cm	Santimetre	Uzunluk veya boyut
in.	İnç	Uzunluk veya boyut
kg	Kilogram	Ağırlık

ÖNEMLİ GÜVENLİK TALİMATLARI

⚠ UYARI: Misinalı çim biçme makinesini kullanırken, yangın, elektrik çarpması ve kişisel yaralanma riskini azaltmak için aşağıdakiler de dahil olmak üzere temel güvenlik önlemlerine daima uyulmalıdır:

KULLANMADAN ÖNCE DİKKATLİCE OKUYUN

GELECEKTE BAŞVURU AMACIYLA SAKLAYIN

⚠ TEHLİKE: Elektrik çarpmasına karşı aletin yalıtımına güvenmeyin. Elektrik çarpması riskini azaltmak için, makineyi asla akım taşıyabilecek kabloların (elektrik kablosu, vb.) yakınında kullanmayın.

⚠ DİKKAT: Cihazı kullanırken uygun kişisel kulak koruması kullanın. Bazı koşullar altında veya kimi kullanımlarda, bu üründen çıkan ses işitme kaybına yol açabilir.

EĞİTİM

- Talimatları dikkatle okuyun. Cihazın kumandalarını ve uygun kullanım şeklini öğrenin.
- Kullanım talimatları hakkında yeterli bilgiye sahip olmayan kişilerin cihazı kullanmasına asla izin vermeyin. Yerel yönetmelikler kullanıcı yaşına sınırlama getirebilir.
- Operatör veya kullanıcının, diğer kişilerin veya eşyaların başına gelebilecek yaralanma veya hasarlardan sorumlu olduğunu unutmayın.

HAZIRLIK

- Makineyi asla yakınızdaki başkaları, özellikle de çocuklar veya evcil hayvanlar varken kullanmayın.
- Cihazı çalıştırırken daima göz koruması ve sağlam ayakkabı kullanın.
- Makine ile çevredeki insanlar arasında en az 15 m mesafe olmalıdır.

ÇALIŞTIRMA

- Makineyi sadece gün ışığında veya iyi aydınlatılmış yerlerde kullanın.
- Makineyi asla hasarlı koruyucu donanımla veya koruyucu donanım takılı değilken kullanmayın.
- Motoru sadece el ve ayaklar kesim araçlarından uzakta olduğunda çalıştırın.
- Aşağıdaki durumlarda daima makinenin güç kaynağı ile bağlantısını kesin (örn. fişini çekin veya emniyete alın).
 - makineyi gözetimsiz bıraktığınızda;
 - bir tikanıklığı gidermeden önce;
 - cihazı kontrol etmeden, temizlemeden veya üzerinde herhangi bir çalışma yürütmeden önce;

- yabancı bir cisme çarptıktan sonra;
- makine anormal bir sarsıntı gösterdiğinde.
- Yaralanmamak için ellerinizi ve ayaklarınızı kesim parçalarından uzak tutun.
- Havalandırma boşluklarında artık olmadığından emin olun.

BAKIM VE SAKLAMA

- Bakım veya temizlik işlemlerini gerçekleştirmeden önce daima makinenin güç kaynağı ile bağlantısını kesin (örn. fişini çekin veya emniyete alın).
- Sadece üretici tarafından önerilen yedek parça ve aksesuarları kullanın.
- Makineyi düzenli olarak kontrol edin ve bakımını yapın. Makinenin sadece yetkili bir uzman tarafından tamir edilmesini sağlayın.
- Kullanmadığınız zaman, makineyi çocukların ulaşamayacağı bir yerde saklayın.

DIĞER GÜVENLİK UYARILARI

- **Çocukları uzak tutun** - Tüm ziyaretçiler çalışma alanından en az 15 metre mesafede tutulmalıdır.
- **Tehlikeli ortamlardan uzak durun** - Biçicileri rutubetli veya ıslak ortamlarda kullanmayın.
- **Çalı kesici gözetimsiz bıraktığınızda daima gücünü kapatın veya pil paketini çıkarın.**
- **Yağmur altında kullanmayın.**
- **Uygun bir şekilde giyinin** - Bol giysiler giymeyin veya takı takmayın. Hareketli parçalara takılabilir. Açık havada çalışırken kauçuk eldiven ve sağlam ayakkabı giyilmesi önerilir. Uzun saçları toplamak için koruyucu baş örtüsü kullanın.
- **Koruyucu gözlük kullanın** - Çalışma ortamı tozluysa, mutlaka yüz veya toz maskesi takın.
- Doğru aleti kullanın - Aleti kullanım amacı dışında herhangi bir amaçla kullanmayın.
- **Çalı kesiciyi zorlamayın** - Makine, tasarlanan çalışma hızında çalıştırıldığında en az yaralanma riski ile işini yapacaktır.
- **Daima tetikte olun** - Ne yaptığınıza dikkat edin. Sağduyulu olun. Çim biçme makinesini yorgunken kullanmayın.
- **Alkol veya uyuşturucu etkisi altındayken çalı kesiciyi çalıştırmayın.**
- **Koruyucu donanımın yerinde ve çalışır durumda olmasını sağlayın.**
- **Ellerinizi ve ayaklarınızı kesim alanından uzak tutun.**

- **Çalı kesiciyi kapalı alanda saklayın** - Kullanılmadığında çalı tırpanı, pil paketi çıkarılmış olarak, çocukların erişemeyeceği, kuru ve yüksek bir yerde ya da kilitle olan kapalı alanda saklanmalıdır.
- **Çalı kesici bakımını dikkatle yapın** - En iyi performansı elde etmek ve yaralanma riskini azaltmak için kesim aksesuarlarını temiz tutun. Aksesuar değişimi için verilen talimatlara uyun. Tutma saplarını kuru, temiz, benzin ve yağdan uzak tutun.
- **Hasarlı parçaları kontrol edin** - Çalı kesiciyi tekrar kullanmadan önce, hasarlı bir koruyucu donanım ya da diğer herhangi bir parça, uygun biçimde çalışıp çalışmayacağı ve amaçlanan işlevini yerine getirip getirmeyeceği belirlenmek üzere dikkatle kontrol edilmelidir. Hareketli parçaların hizalanması, bağlantılarını, parçalarda kırık olup olmadığını, montajını ve çalışmayı etkileyebilecek diğer tüm koşulları kontrol edin. Hasarlı bir koruyucu donanım ya da diğer herhangi bir parça bu kullanım kılavuzunda başka türlü belirtilmemişse yetkili bir Servis Merkezi tarafından uygun şekilde tamir edilmeli veya değiştirilmelidir.
- **Tüm bağlantı parçalarının sıkı bir şekilde takılı olduğundan emin olun. Kesim aksesuarı korumasının uygun şekilde ve üretici tarafından önerilen konumda takıldığından emin olun.**
- **Her kullanımdan önce kesilecek alanı temizleyin.** Kesim aksesuarına takılabilecek veya kesim sırasında fırlatılabilecek taş, kırık cam, çivi, tel veya sicim vb. tüm nesnelere temizleyin. Çocukları, üçüncü şahısları ve evcil hayvanları çalışma alanından uzak tutun. Çocukları, üçüncü şahısları ve evcil hayvanları çalışma alanından en az 15 metre (50 ft) uzak tutun. Fırlayan nesnelere bu mesafeye rağmen yaralanmaya neden olabilir. Üçüncü şahısların göz koruması kullanmaları önerilir.
- **Çalı kesiciyi çalıştırırken daima tutma saplarından her iki elinizle sıkıca tutun. Parmaklarınızı tutma saplarının etrafına sıkıca sarın.**
- **Yanlışlıkla çalıştırmaktan kaçının** - Çalı kesiciyi parmağınız tetik üzerindeyken taşımayın.
- **Çalı kesiciyi benzinli veya patlayıcı ortamlarda çalıştırmayın.** Bu tür cihazların motoru kıvılcım çıkarabilir ve kıvılcımlar gazları tutuşturabilir.
- **Çalı kesicide hasar** - Çalı kesici bir yabancı nesneye çarparsa veya takılırsa, aleti derhal durdurun, hasar olup olmadığını kontrol edin ve herhangi bir hasar varsa yeniden çalıştırmadan önce onarılmasını sağlayın. Kırık bir koruyucu donanım veya bıçakla çalıştırmayın.

- **Cihaz anormal şekilde titremeye başlarsa, motoru derhal durdurun ve nedenini kontrol edin. Titreşim genellikle bir sorun olduğunu gösterir.** Gevşek bir bıçak titreşim yapabilir, çatlatabilir, kırılabilir veya makineden çıkarak ciddi veya ölümcül yaralanmalara neden olabilir. Kesim bıçağının doğru ve sıkı bir şekilde takıldığından emin olun. Bıçak yerine takıldıktan sonra gevşiyorsa, derhal değiştirin. Çalı kesiciyi asla gevşek bir kesim aksesuarıyla kullanmayın.
- **Kontrolün kaybedilmesi sonucu yaralanma riskini azaltmak için, asla merdiven üzerinde ya da diğer herhangi bir güvenli olmayan destek üzerinde çalışmayın. Asla kesim parçalarını bel yüksekliğinin üzerinde tutmayın.**
- **Ayaklarınızı sağlam basın ve dengeyi koruyun.** Dengesiz bir duruşla çalışma yapmayın. Kesim aksesuarını bel seviyesinin altında tutun. Tüm vücut azalarınızı dönmekte olan kesim bıçağından uzak tutun.
- **Hasar yüzeyssel çatlaklarla sınırlı olsa dahi, çatlakmış, hasarlı veya aşınmış bir kesim bıçağını derhal değiştirin.** Bu tür parçalar yüksek hızda parçalanabilir ve ciddi veya ölümcül yaralanmalara neden olabilir.
- **Çalışma sırasında, kesim parçalarını kısa aralıklarla düzenli olarak kontrol edin veya kesim işleminde gözle görülür bir değişim varsa derhal kontrol edin.**
- **Çalışırken yanınıza yaklaşan kimselerin olması durumunda motoru ve kesim aksesuarını durdurun. Bıçaklı makinelerde, bıçağın kuvvetle itilmesi veya diğer beklenmedik bir reaksiyonu durumunda, hareket eden bıçağın üçüncü şahıslara çarparak bu şahısları yaralama riski vardır.**
- **Operatörü tirpan bıçağının oluşturacağı tehlikeye karşı uyarın.**
 - Bıçağın kuvvetle itilmesi, döner bıçağın hemen kesmediği bir nesneyle temas etmesi durumunda meydana gelebilir.
 - Bıçağın kuvvetle itilmesi, cihazın ve/veya operatörün herhangi bir yönde itilerek cihaz kontrolünün kaybedileceği şiddette olabilir.
 - Bıçak takılır, durur veya dönmesi engellenirse uyarı olmaksızın bıçak itişi meydana gelebilir.
 - Bıçağın kuvvetle itilmesi olayı, kesilen malzemeyi görmenin zor olduğu bölgelerde daha çok olabilir.
- **Gerekli tüm parçaları düzgün bir şekilde monte etmeden makineye herhangi bir bıçak takmayın. Uygun parçaların kullanılmaması, bıçağın çıkarak fırlamasına ve operatörün ve/veya üçüncü şahısların ciddi şekilde yaralanmasına neden olabilir. Kırılmış, bükülmüş, çatlak, kırık veya herhangi bir şekilde hasar görmüş bıçakları atın. Keskin bir bıçak kullanın. Kör bir bıçağın takılıp kuvvetle itilme olasılığı daha fazladır.**

- **Boşta dönen bir bıçak, motor durdurulduktan veya tetik bırakıldıktan sonra dönmeye devam ettiğinden yaralanmalara neden olabilir. Bıçak tamamen duruncaya kadar cihazın kontrolünü bırakmayın.**
- **Pil paketini yağmurlu veya ıslak ortamlarda şarj etmeyin.**
- **Sadece aşağıda listelenen pil paketi ve şarj cihazlarını kullanın.**

PİL PAKETİ	ŞARJ CİHAZI
BA1120E, BA2240E, BA2800	CH2100E CH5500E

- **Pil paketi atılmadan önce cihazdan çıkarılmalıdır.**
- **Pili ateşe atarak imha etmeyin.** Pil hücreleri patlayabilir. Muhtemmel özel imha talimatları için yerel kanunları kontrol edin.
- **Pili açmayın veya tahrip etmeyin.** Açığa çıkan elektrolit aşındırıcıdır ve gözlerin veya cildin zarar görmesine neden olabilir. Yutulması halinde zehirli olabilir.
- **Yüzük, bilezik ve anahtar gibi malzemelerle pile kısa devre yaptırmamak için, pilleri tutarken dikkatli olun.** Pil veya iletken aşırı ısınabilir ve yanıklara neden olabilir.
- **Yedek Parçalar** - Bakım ve onarım sırasında sadece orijinal EGO yedek parçalarını kullanın. Diğer parça veya aksesuarların kullanılması yaralanma riskini artırır.
- **Pille çalışan aletlerin elektrik prizine takılmalarına gerek yoktur; bu nedenle daima çalışır durumdadırlar.** Alet kullanılmadığı zaman dahi oluşabilecek muhtemel tehlikelere karşı dikkatli olun. Bakım veya onarım işlemi yaparken dikkatli olun.
- **Servis, temizlik veya çalı kesicideki malzemeleri çıkarmadan önce pil takımını çıkarın veya bağlantısını kesin.**
- **Hortumla yıkamayın; motor ve elektrik bağlantılarını su kaçırmamaya dikkat edin.**
- **Bu kılavuzda yer almayan durumlar meydana gelirse, dikkatli ve sağıduyulu davranın. Yardım için EGO Müşteri Hizmetleri Merkeziyle irtibata geçin.**
- **Bu talimatları saklayın.** Talimatlara sık sık müracaat edin ve bu aleti kullanacak diğer kişileri bilgilendirme için kullanın. Bu aleti başka birine ödünç verirken, ürünün hatalı kullanılmasını ve olası yaralanmaları önlemek için bu talimatları da ürünle birlikte verin.

NOT: EK ÖZEL GÜVENLİK KURALLARI İÇİN ELEKTRİKLİ ALETİN KULLANIM KILAVUZUNA BAKIN.

TR

TEKNİK ÖZELLİKLER

Kesim Genişliği	12 in. (30 cm)	
Yüksüz hız	5000/6000 min ⁻¹	
Ağırlık	1,82 kg	
Ölçülen ses güç düzeyi L _{WA}	96,5 dB(A) K=1,88 dB(A)	
Operatör konumundaki ses güç düzeyi L _{PA}	84,5 dB(A) K=3 dB(A)	
Garanti edilen ses güç düzeyi L _{WA} (2000/14/EC uyarınca ölçülmüş)	98 dB(A)	
Titreşim a _n	Ön Tutma Sapı	2,8 m/s ² k=1,6 m/s ²
	Arka Tutma Sapı	3,1 m/s ² k=1,6 m/s ²

- Yukarıdaki parametreler, PH1400E elektrikli alet başlığı takılı olarak test edilmiş ve ölçülmüştür.
- Bildirilen toplam titreşim değeri standart test yöntemine uygun olarak ölçülmüştür ve bir cihazı diğer bir cihaz ile karşılaştırmak için kullanılabilir.
- Bildirilen toplam titreşim değeri ayrıca ön maruz kalma değerlendirmesinde de kullanılabilir.

UYARI: Elektrikli aletin gerçek kullanımı sırasında meydana gelen titreşim emisyonu aletin kullanım şekline bağlı olarak bildirilen değerden farklı olabilir; Operatörü korumak için, kullanıcı gerçek kullanım koşullarında eldiven ve kulak koruması takmalıdır.

Tavsiye Edilen Bıçak

PARÇA ADI	MODEL NUMARASI
Çalı kesici bıçağı	ABB1203

AMBALAJ LİSTESİ

PARÇA ADI	MİKTAR
Çalı kesici aksesuarı	1
Bıçak ve bıçak kılıfı seti	1
Koruma	1
Koruyucu Aksesuar (SADECE budama başlığı ile kullanım için)	1
Alyen anahtar	1
Çok İşlevli Anahtar	1
Kullanma kılavuzu	1

TR

AÇIKLAMA

ÇALI KESİCİNİZİ TANIYIN (Şek. A)

- Uç Kapak
- Çalı kesici mili
- Koruma
- Bıçak
- Bıçak kılıfı
- Kelepçeli Tel
- Conta Vidası
- Dişli Kutusu
- Mil kilitleme deliği
- Dış Flanş
- Çok İşlevli Anahtar
- Alyen Anahtar
- Koruyucu Aksesuar (SADECE budama başlığı ile kullanım için)

UYARI: Aleti asla koruması düzgün şekilde takılı değilken kullanmayın. Koruyucu, kullanıcıyı korumak için daima alete takılı durumda olmalıdır!

UYARI: Cihaz misinalı biçme makinesi olarak kullanıldığında, bir kesim başlığı ile donatıldığında, koruma donanımı üzerine bir koruyucu monte edilmelidir. Böyle yapılmaması, aşırı uzun kesim ipine ve motorun aşırı yüklenmesine neden olabilir.

MONTAJ

UYARI: Hasarlı veya eksik parça varsa, bu parçalar değiştirilinceye kadar ürünü çalıştırmayın. Bu ürünün hasarlı veya eksik parçalar ile kullanılması ciddi kişisel yaralanmalara yol açabilir.

UYARI: Bu ürün üzerinde değişiklik yapmaya veya bu misinalı çim biçme makinesi ile kullanılması önerilmeyen aksesuarlar oluşturmaya çalışmayın. Bu tür değişiklikler veya modifikasyonlar hatalı kullanımdır ve ciddi kişisel yaralanmalara neden olabilen tehlikeli bir duruma sebep olabilir.

UYARI: Bıçağı veya koruyucuyu takarken veya çıkarırken veya bıçak üzerinde herhangi bir bakım işlemi sırasında daima koruyucu eldivenler giyin. Bıçağa dikkat edin ve ellerinizi bıçak yaralanmalarından koruyun.

UYARI: Montaj tamamlanmaya kadar elektrikli alet başlığına bağlamayın. Böyle yapılması durumunda, ürün yanlışlıkla çalışıp ciddi kişisel yaralanmalara neden olabilir.

DİKKAT: Çalı kesici aksesuarının doğru montaj sırası; önce koruyucunun montajı, ardından bıçağın ve son olarak güç başlığının montajı şeklindedir.

⚠ UYARI: Makineyi asla koruyucu ve bariyer çubuğu sıkıca takılmamış ön-yardımcı tutma kolu olmadan kullanmayın. Aksi takdirde, ciddi kişisel yaralanmalar meydana gelebilir.

KORUYUCUNUN MONTE EDİLMESİ

1. Çalı kesici başlığını kaldırın ve aşağı doğru çevirin; koruyucu üzerindeki iki montaj deliğini sabitleme parçasına önceden monte edilmiş olan iki civata ile hizalayın. Koruyucu iç yüzeyinin çalı kesici başlığına doğru baktığından emin olun (Şek. C).
2. Koruyucuyu civatalar ve gönderilen alyen anahtar ile yerine sabitleyin (Şek. D).

BİÇAĞIN TAKILMASI

1. Bıçak bir kılıf ile teslim edilir. Bıçağı çalı kesiciye monte etmeden önce kelepçeli tel, kılıf üzerindeki kancadan alınarak kılıf çıkarılmalıdır (Şek. E).
Şek. E parça açıklaması aşağıdaki gibidir:

E-1	Kanca
E-2	Kelepçeli Tel

2. İç flanştaki yuvayı vites kutusundaki mil kilitleme deliği ile hizalamak için dış flanşı çevirin (Şek. F).
3. Sabitleyici olarak kullanmak için hizalanmış deliklere ürünle birlikte verilen alyen anahtarı yerleştirin (Şek. G).
Şek. F ve G parça açıklaması aşağıdaki gibidir:

F-1	Dişli Kutusu	F-3	Dış Flanş
F-2	Hizalanmış Mil-Kilit Delikleri	G-1	Sabitleyici

4. Çalı kesici başlığını destek için sağlam bir yüzey üzerine yerleştirin. Bir elinizle çalı kesici milini, diğer elinizle çok işlevli anahtarı tutarak ve somunu dış flanşın üzerinde işaretli ok yönünde gevşeterek somunu ve dış flanşı çıkarın. Bu parçaları tekrar montaj için muhafaza edin (Şek. H).
5. Bıçak yüzeyinin iç flanş çıkıntısının yüzeyi ile aynı hizada olmasını sağlayarak bıçağı motor miline monte edin. Daha sonra dış flanşı ve somunu monte edin (Şek. I). Somunu **SAAT YÖNÜNÜN TERSİ YÖNDE** elle sıkın.

Şek. I parça açıklaması aşağıdaki gibidir:

I-1	İç Flanş Çıkıntısı	I-4	Dış Flanş
I-2	Motor Mili	I-5	Bıçak
I-3	Somun		

6. Dış flanşı döndürerek iç flanştaki yuvayı dişli kutusundaki mil kilitleme deliği ile hizalayın ve alyen anahtarı önceki adımlarda (2 ve 3) gösterildiği gibi sabitleyici olarak kullanmak üzere hizalanan deliklere yerleştirin.
7. Çalı kesici başlığını destek için sağlam bir yüzey üzerine yerleştirin. Bir elinizle bıçağı, diğer elinizle çok işlevli anahtarı tutarak ve somunu dış flanşın üzerinde işaretli ok yönünün tersi yönde sıkarak sabitleyin (Şek. J).

Koruyucu Aksesuar Kullanımı

DİKKAT: Cihaz misinalı biçme makinesi olarak kullanıldığında, bir kesim başlığı ile donatıldığında, koruma donanımı üzerine bir koruyucu monte edilmelidir (Şek. K).

Koruyucu aksesuarı ürünü birlikte verilen alyen anahtar ile üç vidayı sıkarak koruyucu donanım üzerine sabitleyin. Böyle yapılmaması, aşırı uzun kesim ipine ve motorun aşırı yüklenmesine neden olabilir.

ÇALI KESİCİ AKSESUARININ ELEKTRİKLİ ALET BAŞLIĞINA BAĞLANMASI

Bu çalı kesici aksesuarı EGO Elektrikli Alet Başlığı PH1400E ile kullanılacak üzere tasarlanmıştır.

PH1400E elektrikli alet başlığı kullanım kılavuzunda yer alan “ELEKTRİKLİ ALET BAŞLIĞINA AKSESUAR TAKMA” bölümüne bakın.

ÇALIŞTIRMA

⚠ UYARI: Ürüne aşına olmanız sizi dikkatsiz yapmasın. İkinci dereceden bir dikkatsizliğin ciddi yaralanmalara neden olmak için yeterli olduğunu unutmayın.

⚠ UYARI: Daima yan siperleri olan göz koruması kullanın. Kulak koruması ile birlikte kullanın. Böyle yapılmaması sonucu gözlerinize fırlayan nesnelere ciddi kişisel yaralanmalara neden olabilir.

UYGULAMALAR

Bu ürünü aşağıdaki işlemler için kullanabilirsiniz:

- Maltlanmış çim, yabani ot, yabani bodur çalı ve makileri kesmek, maksimum kök çapı 2 cm olan genç ağaçları inceltmek.

DİKKAT: Makine sadece belirtilen kullanım amacına uygun kullanılmalıdır. Diğer kullanım şekilleri hatalı kullanım olarak kabul edilir.

ÇALI KESİCİ AKSESUARININ ELEKTRİKLİ ALET BAŞLIĞI İLE KULLANIMI

⚠ UYARI: Bu cihazı kullanırken yaralanma riskini azaltmak için uygun şekilde giyinin. Bol giysiler giymeyin veya takı takmayın. Göz ve kulak/ışıtme koruması takın. Dayanıklı, uzun pantolon, eldiven ve bot giyin. Kısa pantolon, sandalet giymeyin veya çıplak ayakla çalışmayın.

Güvenli ve daha iyi çalışma için, omzunuza omuz askısını takın. Omuz askısını rahat bir çalışma konumuna ayarlayın. Çalı kesiciyi bir elinizle arka tutma sapından ve diğer elinizle ön destek sapından tutarak kullanın. Çalışma sırasında makineyi her iki elinizle sıkıca tutun. Çalı kesici, arka tutma sapı kalça hizasında olacak şekilde rahat bir konumda tutulmalıdır. Tutuşunuzu ve her iki ayak üzerinde dengeyi koruyun.

Kesim bıçağının geri tepmesi ile dengeyi kaybetmeyecek şekilde kendinizi konumlandırın (Şek. B).

⚠ UYARI: Omuz askısı ayrıca tehlikeli durumlarda hızla çıkarılabilen bir mekanizmadır. Acil bir durumda, askıyı hangi şekilde takılı olursa olsun derhal omzunuzdan çıkarın.

Yabani bodur çalı ve makileri kesmek için, döner bıçağı çalıların üzerine indirerek doğrama etkisi elde edin. Çalı kesiciyi zemin seviyesinde normal tirpan gibi (sağa ve sola doğru süpürme hareketi ile) kullanın. Kesim aksesuarını bel yüksekliğinin üzerinde kullanmayın.

⚠ UYARI: Kesim aksesuarı yerden ne kadar yüksek tutulursa, yanal olarak yapılan kesimlerden yaralanma riski de o kadar artar.

⚠ UYARI: 2 cm'ye kadar çapa sahip genç ağaç/çalıları veya diğer ağaçsı bitkileri keserken bıçağın kuvvetle itilmesini önlemek için bıçağın sol tarafını kullanın. Bıçak sıkışabileceği veya çalı kesiciyi ileri fırlatabileceği için daha büyük çapa sahip ağaçsı bitkileri kesmeye çalışmayın. Aksi takdirde bıçak veya çalı kesici hasar görebilir veya çalı kesici kontrolü kaybedilerek kişisel yaralanmalar meydana gelebilir.

⚠ UYARI: Çalı kesici bıçağının hatalı kullanımı bıçağın çatlamasına, kırılmasına veya parçalanmasına neden olabilir.

Fırlayan parçalar operatörü veya üçüncü şahısları ciddi şekilde yaralayabilir. Kişisel yaralanma riskini azaltmak için, aşağıdaki önlemleri almanız önemlidir:

- Taş, kaya veya metal parçalar gibi sert veya katı yabancı nesnelere temastan kaçının.
- Asla 2 cm'den daha büyük kök çapına sahip odun veya çalıları kesmeyin.

- Düzenli aralıklarla bıçakta hasar izi olup olmadığını kontrol edin. Hasarlı bir bıçakla çalışmaya devam etmeyin.
- Bıçağı düzenli olarak bileyin (belirgin bir şekilde körelendiğinde) ve gerekirse balans ayarını yaptırın (uzman bir servis teknisyeni tarafından gerçekleştirilir).

BIÇAĞIN İTİLMESİ

Bıçağı bu cihazla birlikte kullanırken çok dikkatli olun. Bıçağın kuvvetle itilmesi, döner bıçak tarafından kesilemeyen herhangi bir şeyle temas durumunda ortaya çıkabilecek bir reaksiyondur. Bu temas, bıçağın anında durmasına ve cihazın çarptığı nesneden ani olarak uzağa "itilmesine" neden olabilir. Bu reaksiyon, operatörün cihaz üzerindeki kontrolünü kaybetmesine neden olacak şiddette olabilir. Bıçak takılır, durur veya dönmesi engellenirse uyarı olmaksızın bıçak itiş meydana gelebilir. Bu olay, kesilen malzemeyi görmenin zor olduğu bölgelerde daha çok olabilir. Kolay ve güvenli bir kesim için, çalı kesiciyle kesilen yabancı otlara sağdan sola doğru ilerleyerek yaklaşın. Beklenmeyen bir nesne veya odunsu çalı gövdesi ile karşılaşıldığında, bu uygulama bıçağın kuvvetle itilmesi reaksiyonunu en aza indirebilir.

Her kullanımdan önce hasarlı/aşınmış parça olup olmadığını kontrol edin.

Bıçağı, koruyucuyu ve ön tutma kolunu kontrol edin ve çatlak, kıvrılmış, eğik veya hasarlı parçaları değiştirin.

Bıçağın kenarı zamanla körelenebilir. Bıçağın ömrünü uzatmak için bıçağı ters çevirmeniz veya periyodik olarak bilemeniz (uzman bir servis teknisyeni tarafından gerçekleştirilir) veya gerekirse yenisiyle değiştirmeniz önerilir.

Çalı kesiciyi her kullanımdan sonra temizleyin.

Temizleme talimatları için **BAKIM** bölümüne bakın.

⚠ UYARI: Çalı kesiciyi temizlemeden veya bakım-onarım işlemlerinden önce, bıçağın tamamen durduğundan emin olun. Aksi takdirde, ciddi kişisel yaralanmalar meydana gelebilir.

CİHAZI ÇALIŞTIRMA/DURDURMA

Elektrikli alet başlığı PH1400E'nin kullanım kılavuzundaki "ELEKTRİKLİ ALET BAŞLIĞINI ÇALIŞTIRMA/DURDURMA" bölümüne bakın.

BAKIM

⚠ UYARI: Cihazın kontrol, temizlik veya bakımından önce motoru durdurun ve tüm hareketli parçalarını durmasını bekleyin, ardından pil takımını çıkarın. Bu talimatlara uyulmaması ciddi kişisel yaralanmalara veya maddi hasara yol açabilir.

⚠ UYARI: Bakım ve onarım sırasında birbirini yedeğe parçaları kullanın. Diğer parçaların kullanılması tehlike oluşturabilir veya ürünün hasar görmesine neden olabilir. Güvenliği ve güvenilirliği sağlamak için, tüm onarım işlemleri yetkili bir servis teknisyeni tarafından gerçekleştirilmelidir.

⚠ UYARI: Bıçağı takarken veya çıkarırken veya bıçak üzerinde herhangi bir bakım işlemi sırasında daima koruyucu eldivenler giyin. Bıçağa dikkat edin ve ellerinizi bıçak yaralanmalarından koruyun.

GENEL BAKIM

Plastik parçaları temizlerken çözücü maddeler kullanmaktan kaçının. Çoğu plastik malzeme çeşitli ticari çözücü türlerinden etkilenmeye yatkındır ve bu çözücü maddelerin kullanılması durumunda zarar görebilirler. Kir, toz, yağ, gres, vb. gidermek için temiz bez kullanın.

CİHAZIN TEMİZLENMESİ

- Pili paketini çıkarın
- Her kullanımdan sonra, bıçak ve muhafazanın üzerindeki kalıntıları, tıkanmış toprakları ya da çimleri yumuşak bir fırça ile temizleyin.
- Cihazın yüzeyini, yumuşak sabun solüsyonu ile nemlendirilmiş temiz bir bezle silin.
- Arka gövde üzerindeki hava deliklerini temizlemek için küçük bir fırça veya küçük elektrikli süpürge kullanın.
- Hava deliklerini tıkanmalara karşı temiz tutun.

Bıçak körelendiğinde (bıçağın her iki kenarı da keskinliğini kaybettiğinde) uzman bir servis teknisyeni tarafından bilencesini sağlayın veya gerekirse yenisiyle değiştirin.

BİÇAĞI DEĞİŞTİRME

⚠ UYARI: Aşınmış, çatlak veya hasarlı bir bıçak kırılabilir ve hasar görmüş bıçak parçaları mermi gibi fırlayarak tehlikeli olabilir. Fırlatılan nesnelere ciddi yaralanmalara yol açabilir. Bıçağı düzenli olarak kontrol edin ve çalı kesiciyi aşınmış veya hasarlı bir bıçakla çalıştırmayın.

⚠ UYARI: Bıçağı çıkarırken, bilerken ve takarken uygun göz koruması kullanın.

Bıçağı çıkarmak için

1. Pili paketini çıkarın.
2. Dış flanşı döndürerek iç flanştaki yuvayı dış kutusundaki mil kilitleme deliği ile hizalayın ve alyen anahtarı önceki adımlarda ("BİÇAĞIN TAKILMASI" bölümü, adım 2 ve 3) gösterildiği gibi sabitleyici olarak kullanmak üzere hizalanan deliklere yerleştirin.

3. Çalı kesici başlığını destek için sağlam bir yüzeye üzerine yerleştirin. Bir elinizle bıçağı, diğer elinizle çok işlevli anahtarı tutarak ve somunu dış flanşın üzerinde işaretli ok yönünde gevşeterek somunu, dış flanş ve aşınmış bıçağı çıkarın (Şek. L).
4. İç flanş ve flanş kapağını kontrol edin, aşınmışlarsa değiştirin (Şek. M).

Şek. M parça açıklaması aşağıdaki gibidir:

M-1	Motor Mili	M-5	Dış Flanş
M-2	İç Flanş	M-6	Somun
M-3	Flanş Kapağı	M-7	Flanştaki Yarık
M-4	Bıçak		

5. Yeni bıçağı, Şek. M içinde gösterilen sırayla motor miline takın. Ayrıntılı bilgi "BİÇAĞIN TAKILMASI" bölümü, adım 5, 6 ve 7 içinde verilmiştir.

TRANSMİSYON DIŞLİLERİNİN YAĞLANMASI

Dişli kutusundaki transmisyon dişlileri periyodik olarak dişli gres yağı ile yağlanmalıdır. Dişli kutusunun gres seviyesini her 50 saatlik çalışmada bir kutunun yanındaki sızdırmazlık vidasını sökerek kontrol edin.

Dişli kenarlarında hiçbir gres görülemezse, aşağıdaki adımları izleyerek dişliye 3/4 kapasiteye kadar gres basın.

Transmisyon dişlilerini tamamen doldurmayın.

1. Çalı kesiciyi conta vidası yukarı bakacak şekilde dik olarak tutun (Şek. N).
2. Verilen çok işlevli anahtarı kullanarak sızdırmazlık vidasını gevşetin ve sökün.
3. Vida deliğine az miktarda gres enjekte etmek için bir gres şırıngası (ürüne dahil değildir) kullanın.
4. Enjeksiyondan sonra sızdırmazlık vidasını sıkın.

CİHAZIN SAKLANMASI

- Pili takımını cihazdan çıkarın.
- Cihazı ayrıntılı olarak temizlemek için ağır hizmet eldivenleri giyin.
- Güvenli koruma sağlamak için bıçak kılıfını bıçağa takın (Şek. O).
- Çalı kesici aksesuarını elektrikli alet başlığından çıkarın ve gerekirse aksesuar mili terminaline uç kapağı takın.
- Cihazı çocukların ulaşamayacağı kuru, iyi havalandırılmış, kilitli veya yüksek bir yerde muhafaza edin. Cihazı gübre, benzin veya diğer kimyasal maddelerin yakınında saklamayın.

Çevre koruması



Elektrikli cihazları, pil şarj cihazını ve pilleri/şarj edilebilir pilleri evsel atıklarla birlikte atmayın!

AB Yasası 2012/19/EU uyarınca, kullanılamaz durumdaki elektrikli ve elektronik cihazlar ve AB Yasası 2006/66/EC uyarınca, arızalı veya kullanılmış pil paketleri/piller ayrı olarak toplanmalıdır.

Elektrikli cihazlar katı atık sahaları veya çöp toplama alanlarına atılırsa, yer altı sularına ve besin zincirine tehlikeli maddeler sızabilir, bu da sağlığınızın bozulmasına yol açabilir.

AB UYGUNLUK BEYANI



EGO EUROPE GMBH.

Wahlwiesenstrasse 1, D-71711 Steinheim an der Murr
Deutschland

PH1400E elektrikli alet başlığı ile donatılmış olan **56V lityum-iyon kablosuz Çalı Kesici Aksesuarı Model BCA1200**'ün

Aşağıdaki yönetmeliklerin temel sağlık ve güvenlik gereksinimleri ile uyumlu olduğunu beyan ederiz:

2006/42/EC, 2014/30/EU, 2011/65/EU, 2000/14/EC

Aşağıdakilerle ilişkili standartlara ve teknik özelliklere uygun olduğunu beyan ederiz:

EN ISO 11806-1, EN 60745-1, EN 55014-1, EN 55014-2

Ölçülen Ses Güç Düzeyi: 96,5 dB(A).

Garanti Edilen Ses Güç Düzeyi: 98 dB(A).

Peter Melrose
EGO Europe GmbH
Yönetici Müdürü

Dong Jianxun
Chervon Kalite
Müdürü

* (CHERVON yetkili temsilcisi ve teknik belgeleme sorumlusu)

01/12/2016

SORUN GİDERME

SORUN	NEDENİ	ÇÖZÜM
Çalı kesici çalıştırılmıyor.	<ul style="list-style-type: none">■ Pil takımı elektrikli alet başlığına takılı değil.■ Elektrikli alet başlığı ve pil takımı arasında elektrik bağlantısı yok.■ Pil paketi boş.■ Kilitleme kolu ve tetiğe aynı anda basılmıyor.	<ul style="list-style-type: none">■ Pil takımını elektrikli alet başlığına takın.■ Pil takımını çıkarın, temas noktalarını kontrol edin ve yerine oturana kadar pil takımını yeniden takın.■ Pil takımını bu kılavuzda belirtilen EGO şarj cihazları ile şarj edin.■ Kilitleme kolunu basılı tutun, ardından tetiğe basarak çalı kesiciyi çalıştırın.
Çalı kesici kesim sırasında duruyor.	<ul style="list-style-type: none">■ Motor aşırı yüklenmiş.■ Pil takımı veya elektrikli alet başlığı çok sıcak.■ Pil paketi ile aletin bağlantısı kesilmiş.■ Pil paketi boş.	<ul style="list-style-type: none">■ Yük kaldırıldığında motor normale dönecektir. Sürekli çalışma için elektrikli alet başlığının yükünü azaltın.■ Pil takımı veya elektrikli alet başlığı sıcaklığının 67°C (152°F)'nin altına düşmesini ve soğumasını bekleyin.■ Pil paketini yeniden takın.■ Pil takımını bu kılavuzda belirtilen EGO şarj cihazları ile şarj edin.

GARANTİ

EGO GARANTİ POLİTİKASI

EGO Garanti politikasına ilişkin tüm hüküm ve koşullar için, lütfen egopowerplus.com adresindeki web sitemizi ziyaret edin.

LUGEGE KÕIKI JUHISEID!



LUGEGE KASUTUSJUHEIDIT

⚠️ Kaasnev risk! Inimesed, kes kasutavad elektroonilisi seadmeid, nt südamestimulaatorit, peaksid enne selle toote kasutamist konsulteerima oma arstiga. Elektriseadmete kasutamine südamestimulaatori läheduses võib põhjustada südamestimulaatori häireid või rikkeid.

⚠️ HOIATUS: Ohutuse ja töökindluse tagamiseks tohivad seda seadet remontida ainult vastava kvalifikatsiooniga hooldustehnikud.

OHUTUSSÜMBOLID

Ohutussümbolite eesmärk on tõmmata teie tähelepanu võimalikele ohtudele. Ohutussümbolitele ja nende juures olevatele seletustele tuleb korralikult tähelepanu pöörata ja need endale selgeks teha. Ohutussümbolid iseenesest ei kõrvalda ohu olemasolu. Nendega kaasnevad juhendid ja hoiatused ei asenda korralikke õnetuste vältimise meetmeid.

⚠️ HOIATUS: Enne käesoleva seadme kasutamist lugege kindlasti läbi ja tehke endale selgeks kõik Kasutusjuhendis toodud ohutusjuhised, sh kõik ohutussümbolid nagu „OHT”, „HOIATUS”, ja „ETTEVAATUST”. Kui te ei järgi kõiki allpool toodud juhiseid, võib tekkida elektrilöögi, tulekahju ja/või raske kehavigastuse oht.

SÜMBOLITE TÄHENDUSED

⚠️ TURVATEATE SÜMBOL Tähistusega OHT, HOIATUS, või ETTEVAATUST. Võidakse kasutada koos teiste sümbolite või piktograafidega.



⚠️ HOIATUS: Mis tahes elektriliste tööriistade kasutamine võib põhjustada võõrkehade paiskumist silma, mis võib põhjustada tõsiseid silmakahjustusi. Kandke elektriliste tööriistade kasutamise ajal alati külgkaitsetega kaitseprille ja vajadusel täielikku näokaitset. Soovitame kanda prillide peal laia vaatealaga kaitsemaski või tavalisi külgkaitsetega kaitseprille.

OHUTUSJUHISED

Sel lehel on kujutatud ja kirjeldatud ohutusesümboliteid, mida võib käesolevalt tootelt leida. Enne, kui üritate masinat kokku panna ja kasutada, lugege, tehke omale selgeks ja järgige kõiki juhiseid.

	Ohutus-teade	Viitab kehavigastuste ohule.
	Lugege kasutus-juhendit	Et vähendada vigastuste ohtu, peab kasutaja enne toote kasutamist lugema kasutusjuhendit ja selle endale selgeks tegema.
	Kandke kaitseprille	Kandke selle toote kasutamise ajal alati kaitseprille või külgkaitsetega kaitseprille ja täielikku näokaitset.
	Kasutage kõrvade kaitsevahendeid	Võsaloikuri tekitatud müra võib kahjustada teie kuulmist. Kuulmise kaitsmiseks kandke alati müratakitajaid (kõrvatrope või kõrvaklappe).
	Kandke tugevat peakatet	Pea kaitsmiseks kandke nõuetekohast tugevast materjalist peakatet.
	Kandke töökindaid	Sae ja saeketiga töötades kandke käte kaitsmiseks kindaid. Tugevad ja mittelibisevast materjalist kindad tugevdavad haaret ja kaitsevad käsi.
	Kandke turvalaanõusid	Tööriista kasutamisel kandke mittelibisevaid turvalaanõusid.
	Lõikelaius	Võsaloikuri maksimaalne lõikelaius
	Ettevaatust tera tagasilöö-giga	Hoiatage seadme operaatortit tera tagasilöögi ohu eest.

	Rikošett	Esemed võivad rikošetiga tagasi lennata ja tekitada vigastusi inimestele või vara kahjustumist.
	Ärge laske kellelgi töö ajal enda lähedal seista	Veenduge, et võsaloikuri kasutamisel viibivad teised inimesed ja lemmikloomad vähemalt 15 m kaugusel.
	Ümarad terad ei sobi	Ärge paigaldage ümaraid lõiketerasid.
	Vältige seadme kokkupuudet vihmaga	Ärge kasutage seadet vihmajärgel ja ärge jätke seadet vihma kätte.
	CE	Toode vastab rakendatavatele EÜ direktiividele.
	WEEE	Elektritoodete jäätmetest ei tohi vabaneda olmejäätmete seas. Viige heaks kiidetud taaskäitleja juurde.
	Müra	Tagatud helivõimsuse tase. Müraemissioon keskkonda vastavalt Euroopa Ühenduse direktiividele.
V	Volti	Pinge
mm	Millimeeter	Pikkus või suurus
cm	Sentiimeeter	Pikkus või suurus
in.	Toll	Pikkus või suurus
kg	Kilogramm	Kaal

OLULISED OHUTUSJUHISED

⚠ HOIATUS: Juhtmeta trimmerite kasutamisel tuleb alati järgida järgnevaid elementaarseid ohutusnõudeid. Sedasi vältide tulekahju, elektrilöögi ja vigastuste ohtu.

ENNE KASUTAMIST LUGEGE TÄHELEPANELIKULT.

HOIDKE ALLES.

⚠ OHT: Ärge eeldage, et tööriista isolatsioonikiht tagab täieliku kaitse elektrilöögi eest. Elektrilöögi ohu vähendamiseks ärge kasutage seadet niisuguste juhtmete ega (voolu- jm.) kaablite läheduses, mis võivad olla voolu all.

⚠ ETTEVAATUST! Töö ajal kasutage sobivat kuulmiskaitset. Sõltuvalt töötingimustest ja töö kestusest võib selle seadme tekitatav müra ka kuulmist kahjustada.

Koolitus

- Lugege juhend hoolikalt läbi. Tutvuge juhtseadmetega ja seadme korrektse kasutamise põhimõtetega.
- Ärge lubage seadet kasutada lastel ega inimestel, kes pole tutvunud käesoleva juhendiga. Kohalikud seadused võivad seada seadme kasutajatele vanusepiiranguid.
- Pidage meeles, et seadme kasutaja vastutab teiste inimeste või nende varaga juhtuvate õnnetuste eest.

Ettevalmistus

- Ärge kasutage seadet teiste inimeste (eriti laste) või loomade läheduses.
- Töö ajal kasutage alati silmade kaitsevahendeid ja tugevaid kingi.
- Vahemaa seadme ja kõrvalseisjate vahel peab olema vähemalt 15 m.

Kasutamine

- Kasutage seadet ainult päevasel ajal või hea kunstliku valgustusega.
- Ärge kasutage seadet, mille kaitsepiirded või -katted on kahjustatud või puuduvad.
- Mootori sisselülitamisel hoidke käed ja jalad lõikedetailidest eemal.
- Eemaldage seade alati vooluvõrgust (s.t võtke pistik pistikupesast välja või eemaldage blokeeriv seade),
 - kui jätate selle järelvalveta.
 - Enne ummistuse eemaldamist;
 - Enne seadme puhastamist, kontrollimist või seadistamist;
 - Pärast võrkehaga pörkimist.
 - Kui seade hakkab ebanormaalselt vibreerima.
- Jälgige, et lõikeseadmed ei vigastaks teie käsi või jalgu.
- Jälgige, et ventilatsioonivad oleksid kogu aeg puhtad.

Hooldus Ja Hoiustamine

- Enne hooldus- või puhastustoiimingute alustamist eemaldage seade vooluvõrgust (s.t võtke pistik pistikupesast välja või eemaldage blokeeriv seade),
- Kasutage ainult tootja soovitatud tarvikuid ja -varuosi.
- Kontrollige ja hooldage seadet regulaarselt. Laske seadet remontida ainult volitatud remonditöökojas.
- Kui seadet ei kasutata, hoidke seda lastele kättesaamatus kohas.

Muud Turvahoitused

- **Hoidke lapsed seadmest eemal** - Kõik kõrvalised isikud peavad viibima vähemalt 15 m kaugusel tööpiirkonnast.
- **Vältige ohtlikke keskkondi** – ärge kasutage trimmereid märgades või niisketes kohtades..
- **Tööriista järelevalveta jätmisel lülitage võsalõikur alati välja või eemaldage sellelt aku.**
- **Ärge kasutage seadet vihma ajal.**
- **Riietuge asjakohaselt** – ärge kandke eteid ega avaraid riideid. Need võivad liikuvate osade vahele kinni jääda. Väli tingimustes töötades on soovivat kasutada kummikindaid ja tugevaid jalanõusid. Pikkade juuste puhul kasutage peakatet, mille sisse mahuvad ka juuksed.
- **Kasutage kaitseprille** - tolmuses keskkonnas kandke alati näo- või tolmumaski.
- **Kasutage sobivat seadet** - tööriista tohib kasutada vaid niisuguste tööde jaoks, milleks see on ette nähtud.
- **Ärge rakendage võsalõikuriga töötades jõudu** - Etteantud kiirusel teeb see oma tööd paremini ja väiksema vigastuste riski tõenäosusega.
- **Olge tähelepanelik ja keskendunud Rakendage tervet mõistust.** Ärge kasutage trimmerit väsinuna.
- **Ärge käsitage võsalõikurit alkoholi või narkootikumide mõju all.**
- **Hoidke piirded omal kohal ja töökorras.**
- **Hoidke käed ja jalad lõikealast eemal.**
- **Hoiustage võsalõikurit tubastes tingimustes** - Kui võsalõikur ei ole kasutuses, eemaldage aku ja hoiustage seda tubastes tingimustes kuivas ning kõrgel või lukustatud, lastele kättesaamatus kohas.
- **Käsitage võsalõikurit hoolikalt** - Parima soorituse saavutamiseks ja vigastuste riski vähendamiseks hoidke lõiketarvik puhas. Tarvikute vahetamisel järgige järgmisi juhiseid. Käepidemed peavad olema kuivad, puhtad ja õli- ning määrdevabad.

- **Kontrollige kahjustunud osasid** - Enne võsalõikuri kasutamise jätkamist kontrollige hoolikalt, kas kahjustatud kaitse või muu osa võiks korralikult töötada ja eesmärgipärasalt funktsiooni täita. Kontrollige, kas liikuvad komponendid on korrektselt joondatud ja ega ükski osa paindunud pole ning jälgige ka muid aspekte, mis võiksid seadme omadusi mõjutada. Kahjustatud kate või muu kahjustatud detail tuleks korrektselt parandada või asendada ametlikus hoolduskeskuses, välja arvatud juhul, kui selles juhendis pole öeldud teisiti.
- **Veenduge, et kõik kinnitused on paigas ja fikseeritud. Veenduge, et lõiketarviku kaitse on korrektselt paigaldatud ning tootja soovitatud asendis.**
- **Enne töö alustamist puhastage tööpiirkond võõrkehade**st. Eemaldage kõik lõiketarviku ette või selle sisse kinni jääda võivad võõrkehad, nt. kivid, klaasikillud, naelad, traat või nõor. Veenduge, et tööpiirkonnas ei viibiks lapsi, kõrvalisi isikuid ja lemmikloomi. Kõik lapsed, kõrvalised isikud ja lemmikloomad peavad viibima vähemalt 15 m (50 jala) kaugusel; ka väljaspool 15 m (50 jala) tsooni säilib lendavate esemete tekitatud vigastuste risk. Soovitage kõrvaliseisjatel kasutada kaitseprille.
- **Töötamise ajal hoidke võsalõikurit alati kindlalt kahe käega (käepidemetest). Pange sõrmed ümber käepidemete.**
- **Vältige juhuslikku käivitamist** - Ärge kandke võsalõikurit nii, et teie sõrm on päästikul.
- Ärge kasutage võsalõikurit gaasi sisaldavates või plahvatusohtlikes keskkondades. Seda tüüpi seadmete mootorid tekitavad sädemeid, mis võivad aurd süüdata.
- **Võsalõikuri kahjustumine** - Kui võsalõikur puutub vastu tundmatut objekti või kui see jääb kinni, siis peatage tööriist koheselt, kontrollige kahjustusi ja parandage kõik tekkinud kahjustused enne seadme taaskäivitamist. Ärge kasutage katkise kaitse või teraga seadet.
- **Kui seade peaks ebanormaalselt vibreerima hakkama, peatage mootor ja otsige koheselt vibreerimise põhjust.** Vibratsioon hoiatab tavaliselt ohu eest. Lahtine tera võib vibreerida, praguneda, puruneda või võsalõikuri küljest lahti tulla ja põhjustada raskeid või surmavaid vigastusi. Veenduge, et lõiketarvik on korrektselt paigaldatud ning kindlalt fikseeritud. Kui tera tuleb lahti pärast selle õigesse asendisse fikseerimist, siis vahetage see koheselt välja. Ärge kunagi kasutage võsalõikurit lahtise lõiketarvikuga.

- Selleks, et vähendada võimalikke seadme üle kontrolli kaotamisest tulenevaid ohte, ärge kunagi kasutage seda seadet, kui seisate redelil või muul ebakindlal pinnal. Ärge kunagi hoidke lõiketera vöökohast kõrgemal.
- Töötage kindlal pinnal ja kohas, kus pole ohtu tasakaalu kaotada. Ärge liiga kaugele küünitage. Hoidke lõiketarvikut alati vöökohast madalamal. Hoidke kõik kehaosad pöörlevast lõiketarvikust eemale.
- Vahetage pragunenud, kahjustunud või kulunud tera koheselt välja, isegi kui kahjustused piirduvad vaid pindmiste pragudega. Niisugused lisaseadmed võivad suurel kiirusel puruneda ja põhjustada raskeid või surmavaid vigastusi.
- Kontrollige lõikeseadme seisukorda regulaarselt ja sagedasti või koheselt kui ilmneb märgatav muutus lõikeseadmete töös.
- Kui keegi läheneb teile, peatage mootor ja lõiketarvik. Teradega tarvikute puhul esineb kõrvaliste isikute vigastamise lisarisk, kus inimene võib tera tagasilöögi või muu ootamatu tera liikumise korral liikuva teraga pihta saada.
- Hoiatage seadme operaatorit tera tagasilöögi ohu eest.
 - Tera tagasilöök võib esineda siis, kui pöörlev tera puutub kokku esemega mida see koheselt läbi ei löika.
 - Tera tagasilöök võib olla piisavalt tugev, et tööriista ja/või selle operaatorit suvalises suunas lennutada ning võib juhtuda, et operaator kaotab seadme üle kontrolli.
 - Tera tagasilöök võib tekkida ootamatult, kui tera puruneb, seiskub või paindub.
 - Tera tagasilöögi esinemine on tõenäolisem piirkondades, kus lõigatavat materjali on raske näha.
- Ärge paigaldage seadme külge ühtegi tera ilma kõigi nõutavate osadeta. Õigete osade kasutamata jätmise korral võib tera seadme küljest minema lennata ning selle operaatorit ja/või kõrvalisi isikuid tõsiselt vigastada. Visake ära kõik paindunud, kõverdunud, pragunenud, katkised või muul moel kahjustunud terad. Kasutage teravaid lõiketerasid. Nüri lõiketera võib kergemini puruneda või tagasilööki anda.
- Tühikäigul pöörlev tera võib tekitada vigastusi, sest see jätkab pöörlemist ka siis, kui mootor on peatunud ja päästik vabastatud. Säilitage kontroll seadme üle kuni tera on pöörlemise täielikult lõpetanud.
- Ärge laadige akuplokki niisketes ega märgades tingimustes.

- Kasutage ainult järgnevalt nimetatud akuplokke ja laadijaid:

AKU	LAADIJA
BA1120E, BA2240E, BA2800	CH2100E CH5500E

- Akuplokk tuleb seadmelt enne selle tööea lõppu eemaldada.
- Aku käitlemisel tuleb järgida ohutusreegleid.
- Ärge hävitage akusid põletamise teel. Need võivad plahvatada. Tutvuge kohalike eeskirjadega, et leida võimalikke erijuhiseid akude ja patareide kõrvaldamiseks.
- Ärge avage ega lõhkuge akut. Väljuv elektrolüüt on korrodeeriv ning võib silmi ja nahka vigastada. Allaneelamisel võib see mürgine olla.
- Akude käsitsemisel olge hoolikas ja jälgige, et te ei lühista akut elektrit juhtivate esemete (nt sõrmuste, käevõrude, võtmete) abil. Aku või elektrit juhtiv ese võib üle kuumeneda ja põhjustada põletushaavu.
- Akuga töötavaid tööriistu pole vaja vooluvõrku ühendada, seega on nad alati töörežiimis. Olge teadlik võimalikest ohtudest ka ajal, mil tööriist pole sisse lülitatud. Seadme hooldamise või remontimise ajal olge ettevaatlik.
- Eemaldage seadme aku või ühendage see lahti alati enne võsalõikuri hooldamist, puhastamist või seadmelt materjali eemaldamist.
- Ärge puhastage trimmerit voolikuga, vältige vee sattumist mootoris ja elektriühenduste peale.
- Kui esineb olukordi, mis pole käesolevas juhendis kirjeldatud käituge hoolsalt ja lähtuge tervest mõistusest. Abi saamiseks pöörduge EGO klienditeeninduskeskuse poole.
- Hoidke see kasutusjuhend alles. Lugege seda sageli ning kasutage seda, et seadet sageli kasutavaid isikuid välja õpetada. Kui te seadet kellelegi laenate, andke sellega kaasa ka käesolev kasutusjuhend, et vältida seadme väärkasutamist ja võimalikke vigastusi.

MÄRKUS: TUTVUGE TÄIENDAVATE OHUTUSNÕUETEGA TÖÖRIISTAPEA KASUTUSJUHEMIS

SPETSIFIKATSIOONID

Lõikelaius	30 cm	
Tühikäigu kiirus	5000/6000 min ⁻¹	
Mass	1,82 kg	
Möödetud helirõhu tase L _{WA}	96,5 dB(A) K=1,88 dB(A)	
Helirõhk seadme operaatori kõrva juures L _{PA}	84,5 dB(A) K=3 dB(A)	
Garanteeritud helirõhk L _{WA} (möödetud vastavalt 2000/14/EN)	98 dB(A)	
Vibratsioon a _n	Eesmine abikäepide	2,8 m/s ² k=1,6 m/s ²
	Tagumine käepide	2,8 m/s ² k=1,6 m/s ²

- Ülaltoodud parameetreid on testitud ja mõõdetud rakendatud tööriistapeaga PH1400E;
- Ametlik vibratsioonitaseme näit on mõõdetud standardsete testmeetodite kohaselt ja seda võidakse kasutada erinevate tööriistade võrdlemiseks.
- Ametlikku vibratsioonitaseme näitu võib kasutada ka algse kokkupuutehinnangu andmiseks.

MÄRKUS: Tegelikul kasutamisel tekkiv vibratsioonitase või ametlikult märgitust erineb; turvalisuse eesmärgil peaks seadme kasutaja kandma kindaid ja kuulmiskaitseid.

Soovituslik tera

OSA NIMI	MUDELI NUMBER
Võsalõikuri tera	ABB1203

PAKENDI LOEND

OSA NIMI	KOGUS
Tarvik: võsalõikur	1
Terade ja terakatete komplekt	1
Piire	1
Kaitse lisatarvik (kasutamiseks AINULT trimmeripeaga)	1
Õlarihm	1
Multifunktsionaalne mutrivõti	1
Kasutusjuhend	1

ET

238

TARVIK: VÕSALÕIKUR — BCA1200

KIRJELDUS

TUNNE OMA TARVIKUT – VÕSALÕIKUR (Joon. A)

1. Otsakork
2. Võsalõikuri vars
3. Piire
4. Tera
5. Tera kaitse
6. Kinnitustraata
7. Kinnituskruvi
8. Ülekandesüsteemi korpus
9. Varre fikseerimise auk
10. Väliline äärik
11. Mitmefunktsiooniline mutrivõti
12. Kuuskantvõti
13. Kaitse lisatarvik (kasutamiseks AINULT trimmeripeaga)

⚠ HOIATUS: Ärge kasutage tööriista, mille turvapiire pole korrektselt paigaldatud. Kasutaja kaitsmiseks peab kaitse alati tööriista küljes olema.

⚠ HOIATUS: Kui kasutate tööriista trimmeripea ja jõhviga varustatud trimmerina, tuleb kaitsele paigaldada ka kaitse lisatarvik. Lisatarviku paigaldamata jätmise tulemuseks võib olla liiga pikk jõhv ning mootori ülekoormus.

SEADE

⚠ HOIATUS: Kui mõni osa on kahjustatud või puudub, ärge kasutage seadet enne kui see osa on parandatud. Kasutades kahjustatud või vajalike komponentideta seadet, võite saada raskeid vigastusi.

⚠ HOIATUS: Ärge üritage seadet ümber ehitada ega kasutada lisaseadmeid, mis pole mõeldud kasutamiseks selle trimmeriga. Kõik niisugused muudatused loetakse väärkasutuseks ja need võivad põhjustada ohtlikke olukordi, mis lõppevad rasketest vigastustega.

⚠ HOIATUS: Tera või kaitse paigaldamisel või eemaldamisel ning tera hooldustööde teostamisel kandke alati tugevast materjalist kindaid. Olge teraga ettevaatlik ja kaitske oma käsi lõikevigastuste eest.

⚠ HOIATUS: Ärge ühendage tööriistapead enne koostamise lõpetamist. Nõude mittejärgimine võib tuua kaasa seadme juhusliku käivitumise ja võimalikud tõsised vigastused.

MÄRKUS: Võsalõikuri tarviku korrektne koostamise järjekord on järgmine: esiteks kaitse, seejärel tera ja viimaks tööriistapea.

⚠ HOIATUS: Ärge kunagi kasutage tööriista, mille kaitse ja eesmine abikäepide koos turvapiirdega on korralikult paigaldamata. Nõude mittejärgimine võib tuua kaasa võimalikud tõsised vigastused.

PIIRDE PAIGALDAMINE

1. Tõstke võsalõikuri pea üles ja suunake see allapoole; joondage kaks kaitsme paigaldusauku kahe eelkoostatud kinnituspiladil asuva poldiga. Veenduge, et kaitsme sisemine pind jääb võsalõikuri pea poole (Joon. C).
2. Fikseerige kaitse õigesse asendisse poltide ja tootega kaasas oleva kuuskantvõtmega (Joon. D).

TERA PAIGALDAMINE

1. Tera tarnitakse koos kaitsmega. Enne tera võsalõikuri külge paigaldamist tuleb eemaldada kaitse ja selleks tuleb kinnitustraata kaitsmel oleva konksu tagant lahti ühendada (Joon. E).

Jooniste E osade kirjeldus, vt allapoole:

E-1	Konks
E-2	Kinnitustraata

2. Keerake välimist äärikut, et joondada sisemine äärik ülekandesteemi korpuses oleva varda fikseerimise auguga (Joon. F).
3. Sisestage seadmega kaasas olev kuuskantvõti joondatud aukudesse, et see funktsioneeriks stabilisaatorina (Joon. G).

Joon. F ja G osade kirjeldus:

F-1	Ülekandesteemi korpused	F-3	Välimine äärik
F-2	Joondatud varda fikseerimise augud	G-1	Stabilisaator

4. Asetage võsalõikuri pea toetamise eesmärgil kindla pinna vastu. Hoidke ühe käega võsalõikuri varrest ja haarake teise käega seadmega kaasas olev multifunktsionaalne mutrivõti, et vabastada mutter välimisele äärikule märgitud noole suunas ning eemaldage mutter ja välimine äärik. Hoidke need taaskoostamise jaoks alles (Joon. H).
5. Paigaldage lõiketera mootoriosa külge ja veenduge, et tera pind on sisemise ääriku kumerusega ühetasa. Jätkake välimise ääriku ja mutri paigaldamisega (Joon. I). Keerake mutrit käsitsi **VASTUPÄEVA**.

Jooniste I osade kirjeldus, vt allapoole:

I-1	Sisemise ääriku kumerus	I-4	Välimine äärik
I-2	Mootoriosa	I-5	Tera
I-3	Mutter		

6. Keerake välimist äärikut, et joondada sisemine äärik ülekandesteemi korpuses oleva varda fikseerimise auguga ning sisestage seadmega kaasas olev kuuskantvõti joondatud aukudesse, et see funktsioneeriks stabilisaatorina, samamoodi kui eelnevas 2. ja 3. juhises.
7. Asetage võsalõikuri pea toetamise eesmärgil kindla pinna vastu. Hoidke ühe käega lõiketerast ja haarake teise käega seadmega kaasas olev multifunktsionaalne mutrivõti, et keerata kinni mutter välimisele äärikule märgitud noole suhtes vastassuunas (Joon. J).

Kaitse lisatarviku kasutamine

MÄRKUS: Kui kasutate tööriista trimmeripea ja jõhviga varustatud trimmerina, tuleb kaitsele paigaldada ka kaitse lisatarvik (Joon. K).

Kinnitage kaitse lisatarvik kaitsme külge, keerates seadmega kaasas oleva kuuskantvõtmega abil kinni kolm kruvi. Lisatarviku paigaldamata jätmise tulemuseks võib olla liiga pikk jõhv ning mootori ülekoormus.

VÕSALÕIKURI ÜHENDAMINE TÖÖRIISTAPEAGA

See võsalõikur on mõeldud kasutamiseks EGO tööriistapeaga PH1400E.

Lugege tööriistapea PH1400E kasutusjuhendist jaotist "**TARVIKU PAIGALDAMINE TÖÖRIISTAPEA KÜLGE**".

KASUTAMINE

⚠ HOIATUS: Ärge muutuge toodet tundma õppides hooletuks. Pidage meeles, et raskeid vigastusi põhjustavaks õnnetuseks piisab ka sekundi murdosa pikkusest tähelepanematusest.

⚠ HOIATUS: Kandke alati küljekaitsega turvapillile. Koos kuulmiskaitsega. Vastasel korral võib teile midagi silma lennata ja võite saada ka muud laadi raskeid vigastusi.

RAKENDUSED

Seda toodet võib kasutada järgnevatel eesmärkidel:

- Rohu, umbrohu, metsiku juurdekasvu ja võsa lõikamine, maksimaalselt 2 cm tüveläbimõõduga noorte puistute harvendamine.

MÄRKUS: Seadet tohib kasutada vaid käesolevas juhendis lubatud eesmärgil. Igasugust muud kasutatust loetakse väärkasutuseks.

VÕSALÕIKURI KASUTAMINE KOOS TÕÖRIISTAPEAGA

⚠ HOIATUS: Kandke sobivat riietust, et vältida trimmeri kasutamise käigus vigastuste teket. Ärge kandke ehteid ega avaraid riideid. Kandke nägemis- ja kuulmiskaitsevahendeid. Kandke tugevast materjalist pikki pükse, saapaid ja kindaid. Ärge kandke lühikesi pükse või sandaale ega töötae paljajalu.

Ohutu ja parema kasutamiskogemuse jaoks asetage õlarihm üle õla. Kohandage õlarihma nii, et teil oleks mugav töötada. Hoidke võsaloikurit ühe käega tagumisest käepidemest ja teise käega eesmisest abikäepidemest. Seadmega töötamise ajal hoidke mõlema käega kindlalt käepidemetest kinni. Hoidke võsaloikurit mugavas asendis, nii et tagumine käepide jääb umbes puusade kõrgusele. Säilitage haare ja tasakaal mõlemal jalal. Paigutage ennast nii, et lõiketera tagasilöök ei lööks teid tasakaalust välja (Joon. B).

⚠ HOIATUS: Õlarihm on ohusituatsioonides ka kiirvabastusmehhanismiks. Õnnetuse korral võtke see koheselt ära, ükskõik millises asendis rihm on.

Metsiku juurdekasvu ja võsa lõikamiseks liigutage pöörlevat tera otse allapoole võsa kohale ja saavutate hakkimise efekti. Maapinnal saate kasutada võsaloikurit vikatina (liigutage seda paremale ja vasakule). Ärge kasutage lõiketarvikut vöökohast kõrgemal.

⚠ HOIATUS: Mida kõrgemal maapinnast on lõiketarvik, seda suurem on küljele lendavate tükkide tekitatud vigastuste esinemise oht.

⚠ HOIATUS: Kuni 2 cm läbimõelduga noorte puistute või muude puiste materjalide lõikamisel kasutage tera tagasilöögi ennetamiseks tera vasakut poolt. Ärge katsetage suurema läbimõelduga puise materjali lõikamist, sest tera võib kinni jääda või võsaloikurit ettepoole tõmmata. See võib kahjustada tera või võsaloikurit või põhjustada kontrolli kaotamist võsaloikuri üle või tekitada vigastusi inimestele.

⚠ HOIATUS: Võsaloikuri tera ebasobiv kasutamine võib põhjustada selle pragunemist, murdumist või purunemist.

Lendavad osad võivad seadme operaatorit või kõrvalisi isikuid tõsiselt vigastada. Vigastuste ennetamiseks on oluline järgida järgmisi ettevaatusabinõusid:

- Vältige kontakti kõvade ja tugevate võõrkehade, nt kivide, kaljunukkide või metallitükkidega.
- Ärge kunagi lõigake puitu või võsa, mille läbimõõt on suurem kui 2 cm.
- Kontrollige tera võimalikku kahjustumist regulaarselt, väikeste intervallidega. Ärge jätkake töötamist kahjustunud teraga.

- Teritage tera regulaarselt (kui see on märgatavalt nüriks muutunud) ning vajadusel laske seda tasakaalustada (ametlikus hoolduskeskuses).

TERA TAGASILÖÖK

Selle seadme ja teraga töötamisel tuleb olla äärmiselt ettevaatlik. Tera tagasilöök võib esineda siis, kui pöörlev tera puutub vastu objekti, mida see ei suuda lõigata. See kokkupuude võib põhjustada tera hetkelist peatumist ning äkilist tabatud objektist eemale tõukumist. See võib olla piisavalt tugev, et võib juhtuda, et operaator kaotab seadme üle kontrolli. Tera tagasilöök võib tekkida ootamatult, kui tera puruneb, seiskub või paindub. Selle esinemine on tõenäolisem piirkondades, kus lõigatavat materjali on raske näha. Lõikamise lihtsustamise ja ohutuse seisukohalt tuleb võsaloikuriga lõigatavale umbrohule läheneda suunaga paremalt vasakule. Ootamatu eseme või puise materjaliga kokkupuutumisel võib see praktika tera tagasilööki minimeerida.

Enne iga kasutuskorda kontrollige seadme kahjustumist / kulumist.

Kontrollige tera, kaitset ja eesmist abikäepidet ning vahetage välja kõik pragunenud, kõverdunud, paindunud või ükskõik millisel moel kahjustunud osad.

Tera võib aja jooksul nüriks muutuda. Tera eluea pikendamiseks soovitage seda ümber keerata ja regulaarselt teritada (ametlikus hoolduskeskuses) või vajadusel tera välja vahetada.

Puhastage võsaloikurit pärast iga kasutuskorda.

Puhastamise juhised leiatisest **HOOLDUS**.

⚠ HOIATUS: Enne võsaloikuri puhastamist või hooldamist veenduge, et tera on täielikult peatunud. Nõude mittejärgimine võib tuua kaasa võimalikud tõsised vigastused.

TÕÖRIISTA KÄIVITAMINE / PEATAMINE

Lugege tööriistapea PH1400E kasutusjuhendist jaotisest **"TÕÖRIISTAPEA KÄIVITAMINE / PEATAMINE"**.

HOOLDUS

⚠ HOIATUS: enne seadme kontrolli, puhastamist või hooldust tuleb mootor peatada ja oodata kõigi liikuvate osade peatumist ja eemaldada akupakk. Juhiste mittejärgimine võib põhjustada tõsise vigastuse või varalise kahju.

⚠ HOIATUS: Remontimisel kasutage vaid originaalvaruosi. Mis tahes muude osade kasutamine võib põhjustada ohtlikke olukordi või seadet vigastada. Ohutuse ja töökindluse tagamiseks tohivad seda seadet remontida ainult vastava kvalifikatsiooniga hooldustehnikud.

⚠ HOIATUS: Tera või kaitse paigaldamisel või eemaldamisel ning tera hooldustööde teostamisel kandke alati tugevast materjalist kindaid. Olge teraga ettevaatlik ja kaitske oma käsi lõikevigastuste eest.

ÜLDINE HOOLDUS

Vältige plastosade kasutamisel lahustite kasutamist. Enamik plastmasse on kaubanduslike lahustite suhtes tundlikud ja võivad nende kasutamisel kahjustada saada. Kasutage mustuse, tolmu, õli, rasva jm eemaldamiseks puhast lappi.

SEADME PUHASTAMINE

- Eemaldage aku
- Pärast iga kasutuskorda puhastage tera ja kaitse prahist, kinni jäänud mullast või rohust pehme harjaga.
- Pühkige tööriista pinda leebes seebilahuses niisutatud puhta lapiga.
- Korpuse tagumisel küljel asuvate ventilatsioonivade puhastamiseks kasutage väikest harja või väikest tolmuimejat.
- Ärge blokeerige ventilatsioonivavasid.

Kui tera muutub nüriks, st. tera mõlemad pooled on nürid, siis palun laske seda teritada ametlikus hoolduskeskuses või vajadusel vahetage see uue tera vastu välja.

TERA VÄLJA VAHETAMINE

⚠ HOIATUS: Kulunud, pragunenud või kahjustunud tera võib puruneda ja kahjustunud tera tükid võivad ohtlikult laiali lennata. Lendavad esemed võivad põhjustada tõsiseid vigastusi. Kontrollige tera regulaarselt ja ärge kasutage võsalõikurit kulunud või kahjustunud teraga.

⚠ HOIATUS: Tera eemaldamisel, teritamisel ja paigaldamisel kasutage asjakohaseid silmakaitsevahendeid.

Tera eemaldamiseks

1. Eemaldage aku.
2. Keerake välimist äärikut, et joondada sisemine äärük ülekanandesüsteemi korpuses oleva varda fikseerimise auguga ning sisestage seadmega kaasas olev kuuskantvõti joondatud aukudesse, et see funktsioneeriks stabilisaatorina, samamoodi kui 2. ja 3. juhises jaotises “**TERA PAIGALDAMINE**”.
3. Asetage võsalõikuri pea toetamise eesmärgil kindla pinna vastu. Hoidke ühe käega võsalõikuri varrest ja haarake teise käega seadmega kaasas olev multifunktsionaalne mutrivõti, et vabastada mutter välimisele äärükule märgitud noole suunas ning eemaldage mutter, välimine äärük ning kulunud tera (Joon. L).

4. Kontrollige sisemist äärikut ja ääriku katet ning kui need on kulunud, vahetage need välja (Joon. M).

Jooniste M osade kirjeldus, vt allapoole:

M-1	Mootoriosa	M-5	Välimine äärük
M-2	Sisemine äärük	M-6	Mutter
M-3	Ääriku kate	M-7	Äärikus olev auk
M-4	Tera		

5. Paigaldage uus tera mootoriosa külge joonisel M näidatud järjekorras. Järgige jaotises “**TERA PAIGALDAMINE**” esitatud juhiseid 5, 6 ja 7.

ÜLEKANDESÜSTEEMI MÄÄRIMINE

ÜlekanDESüsteemi korpuses olevaid ülekanDESüsteemi osi peab regulaarselt määrima. Kontrollige ülekanDESüsteemi määrdeaset iga 50 töötundi järel, eemaldades kinnituskruvi ja korpuse külje.

Kui ülekanDESüsteemi osadel ei ole nähtavat määret, siis järgige allpool esitatud juhiseid ning lisage ülekanDESüsteemile määrdeainet 3/4 ulatuses.

Ärge ülekanDESüsteemi täies ulatuses määrige.

1. Hoidke võsalõikurit nii, et kinnituskruvi on suunatud ülespoole (Joon. N).
2. Kinnituskruvi vabastamiseks ja eemaldamiseks kasutage seadmega kaasas olevat multifunktsionaalset mutrivõtit.
3. Kasutage määrdesüstalt (ei ole tootega kaasas) ning lisage kruviauku veidi määret.
4. Pärast määrimist keerake kinnituskruvi kinni.

SEADME HOUSTAMINE

- Eemaldage tööriistalt aku.
- Tööriista põhjalikul puhastamisel kandke tugevast materjalist kindaid.
- Ohutuks hoiustamiseks paigaldage terale kaitse (Joon. O).
- Eemaldage võsalõikur tööriistapeast ning vajadusel paigaldage otsakork tarviku varre otsa.
- Hoidke tööriista kuivas ja kõrges lukustatud ning lastele ligipääsmatus kohas. Ärge hoiustage seadet väetiste, bensiini või muude kemikaalide peal või lähedal.

Keskkonnakaitse



Ärge visake elektriseadmeid, akulaadijat ega patareisid / akusid olmeprügi hulka!

Vastavalt Euroopa Liidu eriaruandele nr 2012/19/EÜ tuleb elektri- ja elektroonikaseadmed, mis pole enam kasutatavad, ning, vastavalt direktiivile 2006/66/EÜ, ka defektsed või kasutatud akuplokid / patareid, eraldi kokku koguda.

Kui elektriseadmed maetakse maa sisse või viiakse prügimäele, võivad ohtlikud ained põhjavekke lekkida ja toiduahelasse sattuda ning kahjustada teie tervist ja heaolu.

EN VASTAVUSDEKLARATSIOON



Meie, EGO EUROPE GMBH

Wahlwiesenstrasse 1, D-71711 Steinheim an der Murr Deutschland

Veenduge, et toode **56V liitiumioonakuga juhtmeta tarvik võsalõikur BCA1200**, mis on varustatud tööriistapeaga PH1400E

Vastab järgmistes direktiivides toodud oluliste teravisekaitse- ja ohutusnõuetele:

2006/42/EÜ, 2014/30/EL, 2011/65/EL, 2000/14/EÜ

Viidatud standardid ja tehnilised spetsifikatsioonid:

EN ISO 11806-1, EN 60745-1, EN 55014-1, EN 55014-2

Möödetud helivõimsuse tase: 96,5 dB(A).

Garanteeritud helivõimsuse tase: 98 dB(A)

Peter Melrose
EGO Europe GmbH tegevjuht

Dong Jianxun
Chevroni kvaliteedijuht

* (CHERVONI volitatud esindaja ja tehniliste dokumentide eest vastutav isik)

01/12/2016

TÖRKEOTSING

PROBLEEM	PÕHJUS	LAHENDUS
Võsalõikur ei käivitu.	<ul style="list-style-type: none"> ■ Aku on tööriistapea külge ühendamata. ■ Tööriistapea ja aku vahel puudub elektriühendus. ■ Akuplokk on tühi. ■ Lukustushooba ja päästikut ei vajutatud samaaegselt. 	<ul style="list-style-type: none"> ■ Ühendage aku tööriistapeaga. ■ Eemaldage aku, kontrollige kontakte ja paigaldage aku uuesti nii, et see kinnitub klõpsuga. ■ Laadige akut käesolevas juhendis loetletud EGO laadijate abil. ■ Vajutage lukustuskangi allapoole ja hoidke seda; seejärel vabastage päästik ning käivitage võsalõikur.
Võsalõikur peatub lõikamise ajal.	<ul style="list-style-type: none"> ■ Mootor on ülekoormatud. ■ Aku või tööriistapea on liiga kuum. ■ Akuplokk on tööriista küljest lahti ühendatud. ■ Akuplokk on tühi. 	<ul style="list-style-type: none"> ■ Mootori võimsus taastub koormuse eemaldamisel. Järjepidevaks töötamiseks vähendage tööriistapea koormust. ■ Laske akul või tööriistapeal jahtuda temperatuurini alla 152°F (67°C). ■ Paigaldage akuplokk tagasi. ■ Laadige akut käesolevas juhendis loetletud EGO laadijate abil.

GARANTII

EGA GARANTIIPÕHIMÕTTED

Täielikud EGO garantiitingimused leiata veebilehelt egopowerplus.com.

